



# SF

## 12L / 15L / 18L

Engine Powered	1200/1500/1800kg
Pneumatic Tire	2500/3000/3500lb
Lift Trucks	Capacity





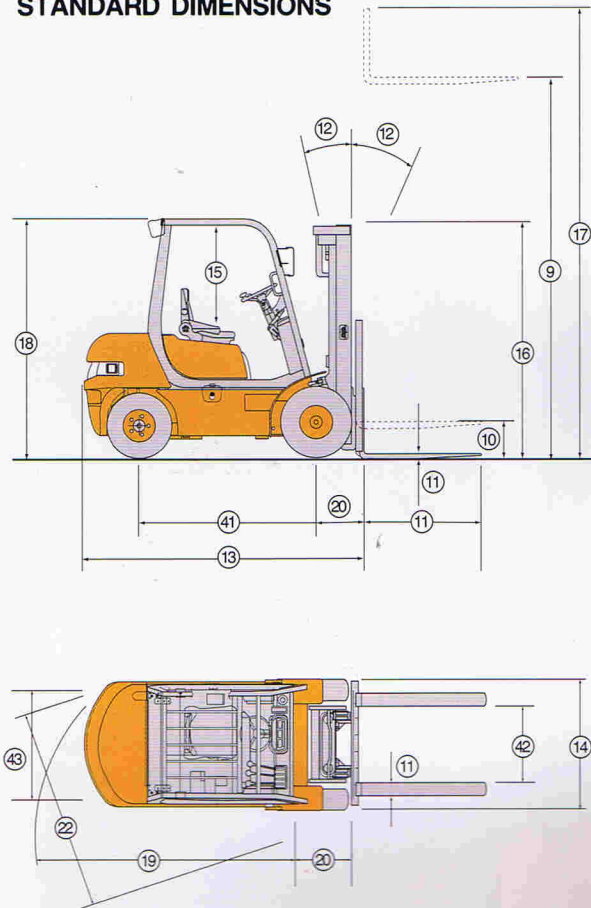
# SF 12/15/18L

## STANDARD SPECIFICATIONS

Characteristics	1	Manufacturer			SAMSUNG	SAMSUNG	SAMSUNG	
	2	Model			SF12L	SF15L	SF18L	
	3	Load Capacity	kg(lb)		1200(2500)	1500(3000)	1800(3500)	
	4	Load Center	mm(in)		500(24)	500(24)	500(24)	
	5	Power Type			LPG	LPG	LPG	
	6	Operator Position			Rider seated	Rider seated	Rider seated	
	7	Tire Type	Front/Rear		Pneumatic	Pneumatic	Pneumatic	
	8	Wheels (x = driven)	Front/Rear		2 x /2	2 x /2	2 x /2	
Dimensions	9	Maximum Fork Height(MFH)		mm(in)	3000(118)	3000(118)	3000(118)	
	10	Free Lift		mm(in)	100(3.9)	100(3.9)	100(3.9)	
	11	Fork Size	T x W x L	mm(in)	40 x 100 x 1070 (1.6 x 3.9 x 42)	40 x 100 x 1070 (1.6 x 3.9 x 42)	40 x 100 x 1070 (1.6 x 3.9 x 42)	
	12	Tilt Range		FWD/BWD deg.	6/10	6/10	6/10	
	13	Length to Fork Face		mm(in)	2145(84.5)	2170(85.5)	2195(86.5)	
	14	Overall Width		mm(in)	1110(44)	1110(44)	1110(44)	
	15	Overhead guard clearance(from face of seat)		mm(in)	1010(40)	1010(40)	1010(40)	
	16	Height	Mast Lowered	mm(in)	2090(81)	2090(81)	2090(81)	
	17		Mast Extended	mm(in)	4230(167)	4230(167)	4230(167)	
	18		Overhead Guard	mm(in)	2060(81)	2060(81)	2060(81)	
	19	Turning Radius(Outside)		mm(in)	2020(79)	2045(80)	2070(81)	
	20	Load Distance (Centerline of front axle to front face of forks)		mm(in)	390(15)	390(15)	390(15)	
	21	Basic Right Angle Stacking Aisle Width (Add load length and clearance)		mm(in)	2435(95)	2455(96)	2475(97)	
	22	Min. intersecting aisle		mm(in)	2050(81)	2060(81)	2110(83)	
Performance	23	Speed	Travel Max. (FWD/RVS)	With Load	km/h(mph)	16.5 / 16.5(10.2 / 10.2)	16.3 / 16.3(10.1 / 10.1)	16.1 / 16.1(10.0 / 10.0)
	24		Without Load	km/h(mph)	17.4 / 17.4(10.8 / 10.8)	17.4 / 17.4(10.8 / 10.8)	17.4 / 17.4(10.8 / 10.8)	
	25	Max. Drawbar Pull	With Load	mm/sec(fpm)	530(104)	530(104)	510(100)	
	26		Without load	mm/sec(fpm)	570(112)	570(112)	570(112)	
	27		With Load	mm/sec(fpm)	510(100)	510(100)	510(100)	
	28		Without Load	mm/sec(fpm)	510(100)	510(100)	510(100)	
	29	Max. Gradeability	With Load	kg(lb)	1340(2960)	1350(2980)	1350(2980)	
	30		Without Load	kg(lb)	620(1370)	600(1320)	520(1150)	
31	Max. Gradeability	With Load	%	35.7	31.8	28.5		
32		Without Load	%	21.4	20.0	16.8		
Weight	33	Total Weight		kg(lb)	2570(5650)	2690(5930)	2820(6210)	
	34	Distribution	With Load	Front	kg(lb)	3260(7050)	3730(7950)	4070(8550)
	35			Rear	kg(lb)	510(1100)	460(980)	550(1160)
	36		Without Load	Front	kg(lb)	1270(2800)	1240(2730)	1090(2390)
	37			Rear	kg(lb)	1300(2850)	1450(3200)	1730(3820)
	Chassis	38	Tires	Number	Front/Rear		2/2	2/2
39		Size		Front		6.5 x 10-12PR	6.5 x 10-12PR	
40			Rear		5 x 8-8PR	5 x 8-8PR		
41		Wheel Base		mm(in)	1350(53)	1350(53)	1350(53)	
42	Tread	Front	mm(in)	930(37)	930(37)	930(37)		
43		Rear	mm(in)	900(35)	900(35)	900(35)		
44	Underclearance	at lowest point (Mast)	mm(in)	117(4.6)	117(4.6)	117(4.6)		
45		Center of Wheel Base	mm(in)	117(4.6)	117(4.6)	117(4.6)		
46	Brake	Service(Foot)		Hydraulic	Hydraulic	Hydraulic		
47		Parking		Hand	Hand	Hand		
Engine and Transmission	48	Battery		V/AH	12/45	12/45	12/45	
	49	Internal Combustion Engine	Make/Model		Mitsubishi 4G63	Mitsubishi 4G63	Mitsubishi 4G63	
	50		Rated Horsepower/r.p.m		SAE HP (KS PS) 34.1 / 2300 Net (34.6 / 2300)	34.1 / 2300 Net (34.6 / 2300)	34.1 / 2300 Net (34.6 / 2300)	
	51		Rated Torque/r.p.m		SAE ft-lb (kg-m) 86 / 1600 Net (12 / 1600)	86 / 1600 Net (12 / 1600)	86 / 1600 Net (12 / 1600)	
	52		Number of Cylinder		4	4	4	
	53		Piston Displacement		cc(cc-in)	1997(122)	1997(122)	1997(122)
	54	Fuel Tank Capacity		kg/lb	15(33)	15(33)	15(33)	
	55	Transmission	Type		Powershift	Powershift	Powershift	
	56		Stage	FWD/RVS	1/1	1/1	1/1	
	57	Operating Pressure For Attachments		kg/cm²(psi)	176(2500)	193(2750)	210(300)	

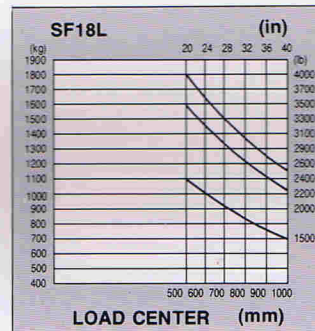
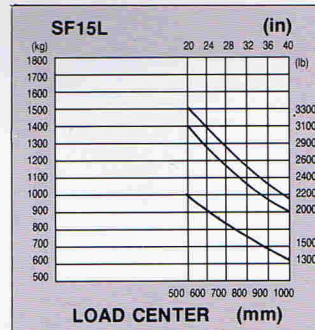
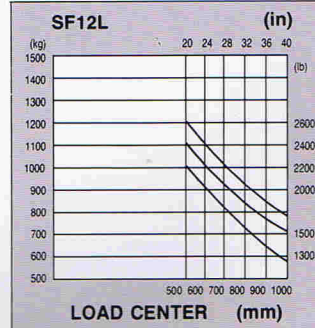
Materials and specifications are subject to change without notice

## STANDARD DIMENSIONS



Underclearance	mm(in)
Drive Axle	127(5.0 in)
Steer Axle	140(5.5 in)
Counter Weight	140(5.5 in)

## LOAD CAPACITY CHART STANDARD EQUIPMENT



- Wide Visible Mast (MFH:3000mm(118in))
- Halogen head and rear lights
- Rear combination lights
- Headlight guards
- Back-up alarm
- Integrated monitoring center
- Long life tires
- Parking brake
- Overhead guard
- Neutral start key switch
- Alternator with IC regulator
- Neutral safety switch
- Power steering
- Power brake
- Drawbar pin
- Back mirrors

## OPTIONAL EQUIPMENT

- Solid Tires
- Long and short forks

Note: Standard and optional equipment may vary. Consult your SHI dealer for more information

Rated capacities are computed from front face of forks with mast in vertical position and apply to Wide Visible Masts with up to 3500mm(138in) max. fork height.

## MAST SPECIFICATIONS & RATED CAPACITIES

Mast Type	Maximum Fork Height	Overall Height		Free Lift	Tilt Range		Load capacity at 500mm (24in) LC		
		Lowered	Extended		FWD	BWD	SF12L	SF15L	SF18L
		mm(in)	mm(in)		mm(in)	deg.	deg.	kg(lb)	kg(lb)
Wide Visible 2 Stage Mast	2000(79)	1590(63)	3230(127)	100(3.9)	6	10	1200(2500)	1500(3000)	1800(3500)
	2300(91)	1740(69)	3530(139)	100(3.9)	6	10	1200(2500)	1500(3000)	1800(3500)
	2500(98)	1840(73)	3730(147)	100(3.9)	6	10	1200(2500)	1500(3000)	1800(3500)
	2700(106)	1940(76)	3930(155)	100(3.9)	6	10	1200(2500)	1500(3000)	1800(3500)
	3000(118)	2090(82)	4230(167)	100(3.9)	6	10	1200(2500)	1500(3000)	1800(3500)
	3300(130)	2240(88)	4530(178)	100(3.9)	6	10	1200(2500)	1500(3000)	1800(3500)
	3500(138)	2340(92)	4730(186)	100(3.9)	6	10	1200(2500)	1500(3000)	1800(3500)
	3700(145)	2440(96)	4930(194)	100(3.9)	6	10	1200(2500)	1400(2900)	1700(3500)
	4000(157)	2590(102)	5230(206)	100(3.9)	4	6	1100(2400)	1400(2900)	1600(3400)
	4500(177)	3055(120)	5730(226)	100(3.9)	4	6	1000(2200)	1300(2800)	1350(2850)
5000(197)	3305(130)	6230(245)	100(3.9)	4	6	900(1900)	1000(2200)	1100(2400)	
Wide Visible 3 Stage Mast	3700(145)	1855(73)	4940(194)	1315(52)	6	6	1200(2500)	1500(3000)	1800(3500)
	4000(157)	1955(77)	5240(206)	1415(56)	4	6	1100(2400)	1400(2900)	1600(3400)
	4300(169)	2055(81)	5540(218)	1515(60)	4	6	1050(2300)	1350(2850)	1500(3000)
	4500(177)	2120(84)	5740(226)	1580(62)	4	6	1000(2200)	1300(2800)	1350(2850)
	5000(197)	2290(90)	6240(246)	1745(69)	4	6	900(1900)	1000(2200)	1100(2400)
	5500(217)	2495(98)	6740(265)	1975(78)	4	6	700(1500)	750(1600)	800(1700)
6000(236)	2740(108)	7240(285)	2225(88)	1.5	3	500(1100)	550(1200)	600(1300)	



**HEAVY INDUSTRIES**

**INTERNATIONAL SALES, FORKLIFT TRUCK**

Dongnam Tower, 890-25, Daechi Dong,  
Kangnam Ku, Seoul, Korea  
Tel. : (2) 3458-7305 ~ 8  
Telex : SHICO K23726  
Fax. : (2) 3458-6342, 3458-6362  
C.P.O. Box: 3384

**SAMSUNG ISO 9001 QUALITY**

Samsung's relentless pursuit of high quality standards has resulted in our recent ISO 9001 certification for the design/development, production, installation and servicing of our Forklifts.

