
Electrical Circuit Diagrams

HX™ Series

Engine Family: N13, Cummins® ISX, Cummins® X15 Engines

Navistar, Inc.

2701 Navistar Drive, Lisle, IL 60532 USA

TABLE OF CONTENTS

2. INSTRUCTIONS AND CHARTS (CHAPTER 2)	1
2.1. ABBREVIATIONS, P. 1.....	1
2.2. ACRONYMS, P. 2.....	2
2.3. CIRCUIT DIAGRAM INSTRUCTIONS, P. 3.....	3
2.4. CIRCUIT NUMBER IDENTIFICATION AND COLOR, P. 4.....	4
2.5. CIRCUIT NUMBER IDENTIFICATION AND COLOR (CONT.), P. 5.....	5
2.6. CIRCUIT NUMBER IDENTIFICATION AND COLOR (CONT.), P. 6.....	6
2.7. LAMP BULB CHART, P. 7.....	7
2.8. RELAY FUNCTION AND WIRING GUIDE, P. 8.....	8
2.9. SCHEMATIC SYMBOL CHART, P. 9.....	9
2.10. SCHEMATIC SYMBOL CHART (CONT.), P. 10.....	10
2.11. SCHEMATIC SYMBOL CHART (CONT.), P. 11.....	11
2.12. SCHEMATIC SYMBOL CHART (CONT.), P. 12.....	12
2.13. SWITCHES AND PRODUCT GRAPHIC INFORMATION, P. 13.....	13
2.14. SWITCHES AND PRODUCT GRAPHIC INFORMATION (CONT.), P. 13A.....	14
2.15. PRODUCT GRAPHIC, FUSE PANEL, UPPER (4072718C7), P. 14.....	15
2.16. PRODUCT GRAPHIC, FUSE PANEL, LOWER (4123214C1), P. 15.....	16
2.17. PTO SWITCHES (3881412C1), P. 16.....	17
3. 12 VOLT POWER DISTRIBUTION (CHAPTER 3)	18
3.1. BATTERY FEED, P. 1.....	18
3.2. BATTERY FEED (CONT.), P. 2.....	19
3.3. BATTERY FEED (CONT.), P. 3.....	20
3.4. BATTERY FEED (CONT.), P. 4.....	21
3.5. BATTERY FEED (CONT.), P. 5.....	22
3.6. ACCESSORY FEED, P. 6.....	23
3.7. IGNITION FEED, P. 7.....	24
3.8. IGNITION FEED (CONT.), P. 8.....	25
3.9. IGNITION FEED (CONT.), P. 9.....	26
3.10. IGNITION FEED (CONT.), P. 10.....	27
3.11. IGNITION FEED (CONT.), P. 11.....	28
3.12. J1939 WIRING WITH 500K BAUD RATE, P. 12.....	29
3.13. J1939 WIRING WITH 500K BAUD RATE (CONT.), P. 13.....	30
3.14. J1939 DATA LINK WIRING WITH 250K, P. 14.....	31
3.15. J1939 WIRING WITH BENDIX ABS WITH 500K BAUD RATE, P. 15.....	32
3.16. J1939 WIRING WITH ALLISON TRANSMISSION, P. 16.....	33
3.17. FIVE AND ZERO VOLT SOURCE SPLICE PACK, P. 17.....	34
3.18. GROUND – IP, P. 18.....	35
3.19. GROUND – IP (CONT.), P. 19.....	36
3.20. GROUND – IP (CONT.), P. 20.....	37
3.21. GROUND – IP (CONT.), P. 20A.....	38
3.22. GROUND – IP (CONT.), P. 21.....	39
3.23. GROUND – IP (CONT.), P. 22.....	40
3.24. GROUND – IP (CONT.), P. 23.....	41
3.25. GROUND – IP (CONT.), P. 24.....	42
3.26. GROUND – IP (CONT.), P. 25.....	43
3.27. GROUND – IP (CONT.), P. 26.....	44
3.28. GROUND – IP (CONT.), P. 27.....	45
3.29. GROUND – IP (CONT.), P. 28.....	46
3.30. GROUND – IP (CONT.), P. 29.....	47
3.31. GROUND – IP (CONT.), P. 30.....	48

TABLE OF CONTENTS (CONT.)

3.32. PANEL LIGHT ADAPTER, P. 31.....	49
3.33. PANEL LIGHT ADAPTER (CONT.), P. 32.....	50
3.34. PANEL LIGHT ADAPTER (CONT.), P. 33.....	51
3.35. PANEL LIGHT ADAPTER (CONT.), P. 33A.....	52
3.36. IGNITION SPLICE PACK, P. 34.....	53
3.37. IGNITION SPLICE PACK (CONT.), P. 35.....	54
3.38. START FEED ADAPTER, P. 36.....	55
3.39. GROUND – CHASSIS, P. 37.....	56
3.40. GROUND – CHASSIS (CONT.), P. 38.....	57
3.41. GROUND – CHASSIS (CONT.), P. 39.....	58
3.42. GROUND – CHASSIS (CONT.), P. 40.....	59
3.43. GROUND – CHASSIS (CONT.), P. 41.....	60
3.44. GROUND – CHASSIS (CONT.), P. 42.....	61
3.45. ECM 5V AND 0V SPLICE WITH N13 ENGINE, P. 43.....	62
3.46. POWER IGNITION SPLICE, P. 44.....	63
3.47. GROUND – ENGINE WITH N13, P. 45.....	64
3.48. GROUND – ENGINE WITH F-2013 ISX ENGINE, P. 46.....	65
3.49. GROUND – ENGINE WITH F-2013 ISX ENGINE (CONT.), P. 47.....	66
3.50. ENGINE CAB POWER, P. 48.....	67
3.51. GROUND – ENGINE WITH F-2017 ISX ENGINE, P. 49.....	68
3.52. GROUND – SLEEPER BOX, P. 50.....	69
3.53. ECM 0V & 5V SPLICE WITH N13 2017 ENGINE, P. 51.....	70
3.54. GROUND ENGINE N13 2017 ENGINE, P. 52.....	71
3.55. GROUND ENGINE N13 2017 ENGINE (CONT.), P. 53.....	72
3.56. EFFECTS OF AUXILIARY SWITCHES W / 10 WITH ACCESSORY, P. 54.....	73
3.57. EFFECTS OF AUXILIARY SWITCHES W / 10 WITH ACCESSORY (CONT.), P. 55.....	74
4. CAB ACCESSORIES (CHAPTER 4).....	75
4.1. CIGAR LIGHTER CONNECTION, P. 1.....	75
4.2. RECEPTACLE AND 2 POST POWER SOURCE, P. 2.....	76
4.3. ELECTRIC WINDOW – RIGHT AND LEFT, P. 3.....	77
4.4. KEYLESS ENTRY WITH HORN WIRING, P. 4.....	78
4.5. ELECTRIC LOCK – RIGHT AND LEFT WITH POWER WINDOW, P. 5.....	79
4.6. ELECTRIC LOCK – RIGHT AND LEFT WITH POWER WINDOW WITH REMOTE KEYLESS ENTRY, P. 6.....	80
4.7. HEATED, POWER WITH MIRRORS LIGHT, P. 7.....	81
4.8. HEATED, POWER WITH MIRRORS LIGHT (CONT.), P. 8.....	82
4.9. HEATED, POWER WITH MIRRORS LIGHT WITH AMBIENT AIR TEMPERATURE (AAT), P. 9.....	83
4.10. HEATED, POWER WITH MIRRORS LIGHT, P. 10.....	84
4.11. HEATED DRIVER AND PASSENGER SEAT, P. 11.....	85
4.12. WINDSHIELD WIPER MOTOR AND WASHER PUMP WIRING, P. 12.....	86
4.13. CB RADIO POWER, P. 13.....	87
4.14. 2 WAY RADIO CONNECTION, P. 14.....	88
4.15. RADIO DAY CAB SPEAKER WIRING, P. 15.....	89
4.16. SLEEPER BOX WITH SPEAKER WIRING WITH VOLUME CONTROL, P. 15A.....	90
4.17. SECONDARY DISPLAY CONNECTIONS WITH BLUETOOTH, P. 16.....	91
4.18. DAY CAB WITH QUALCOMM SPEAKER WIRING, P. 16A.....	92
4.19. PEOPLENET COMMUNICATION WIRING, P. 17.....	93
4.20. SLEEPER BOX WITH REMOTE RADIO, P. 18.....	94
4.21. QUALCOMM OMNIVISION, P. 19.....	95

TABLE OF CONTENTS (CONT.)

4.22.	SLEEPER BOX WITH AUXILIARY RADIO CONTROL WITH DID, P. 20.....	96
4.23.	RADIO CAN BUS WITH AUXILIARY RADIO CONTROL, P. 20A.....	97
4.24.	STANDARD APO, P. 21.....	98
4.25.	SLEEPER BOX WITH AUXILIARY POWER AND TV / VCR, P. 22.....	99
4.26.	ROLLTEK SEATING WIRING, P. 23.....	100
4.27.	DATA RECORDER WIRING, P. 24.....	101
4.28.	DATA RECORDER WIRING (CONT.), P. 24A.....	102
4.29.	ROLLTEK SEAT, P. 25.....	103
4.30.	RSM HEATED HOOD MIRROR, P. 26.....	104
5.	CHARGING AND CRANKING (CHAPTER 5).....	105
5.1.	STARTING AND CRANKING WITH ULTRASHIFT TRANSMISSION WITH F-2013-ISX ENGINE, P. 1.....	105
5.2.	STARTING AND CRANKING WITH MANUAL TRANSMISSION WITH F-2013-ISX ENGINE, P. 2.....	106
5.3.	STARTING AND CRANKING WITH ALLISON TRANSMISSION WITH F-2013-ISX ENGINE, P. 3.....	107
5.4.	STARTING AND CRANKING WITH N13 ENGINE WITH ULTRASHIFT TRANSMISSION WITHOUT THERMAL OVERCRANK, P. 4.....	108
5.5.	STARTING AND CRANKING WITH N13 ENGINE WITH MANUAL TRANSMISSION WITH THERMAL OVERCRANK, P. 5.....	109
5.6.	STARTING AND CRANKING WITH N13 ENGINE WITH ALLISON TRANSMISSION WITHOUT THERMAL OVERCRANK, P. 6.....	110
5.7.	STARTING AND CRANKING WITH ULTRASHIFT TRANSMISSION WITH F-2017 ISX ENGINE, P. 7.....	111
5.8.	STARTING AND CRANKING WITH MANUAL TRANSMISSION WITH F-2017 ISX ENGINE, P. 8.....	112
5.9.	STARTING AND CRANKING WITH ALLISON TRANSMISSION WITH F-2017 ISX ENGINE, P. 9.....	113
5.10.	STARTING AND CRANKING WITH MANUAL TRANSMISSION WITH THERMAL OVERCRANK N13 2017 ENGINE, P. 10.....	114
5.11.	STARTING AND CRANKING WITH ULTRASHIFT TRANSMISSION WITHOUT THERMAL OVERCRANK N13 2017 ENGINE, P. 11.....	115
5.12.	STARTING AND CRANKING WITH ALLISON TRANSMISSION WITHOUT THERMAL OVERCRANK N13 2017 ENGINE, P. 12.....	116
6.	FAN WIRING (CHAPTER 6).....	117
6.1.	FAN WIRING WITHOUT A/C WITH F-2013, 2017 ISX ENGINE, P. 1.....	117
6.2.	FAN WIRING WITH A/C, FAN OVERRIDE SWITCH WITHOUT AIR CONDITIONING PROTECTION AND DIAGNOSTIC SYSTEM (APADS) WITH F-2013, 2017 ISX ENGINE, P. 2.....	118
6.3.	FAN WIRING WITH A/C WITH APADS WITH F-2013, 2017 ISX ENGINE, P. 3.....	119
6.4.	FAN WIRING WITH TWO SPEED WITH N13 ENGINE, P. 4.....	120
6.5.	FAN WIRING WITH A/C, FAN OVERRIDE WITH F-2010 SCR 13L ENGINE, P. 5.....	121
6.6.	FAN WIRING WITHOUT A/C, WITH F-2010 SCR 13L ENGINE, P. 5A.....	122
6.7.	FAN WIRING WITH APADS WITH N13 ENGINE, P. 6.....	123
6.8.	FAN WIRING WITH OVERRIDE SWITCH, P. 7.....	124
6.9.	SLEEPER BOX WITH AUXILIARY FAN CONNECTIONS, P. 8.....	125
6.10.	FAN WIRING WITH A/C APADS WITH N13 2017 ENGINE, P. 9.....	126
6.11.	FAN WIRING WITH TWO SPEED N13 2017 ENGINE, P. 10.....	127
6.12.	FAN WIRING WITH DEFROSTER N13 2017 ENGINE, P. 11.....	128

TABLE OF CONTENTS (CONT.)

7. ENGINE SYSTEMS (CHAPTER 7)	129
7.1. CRUISE CONTROL WITH F-2013 ISX ENGINE, P. 1.....	129
7.2. CRUISE CONTROL WITH F-2013 ISX ENGINE (CONT.), P. 2.....	130
7.3. CRUISE CONTROL WITH F-2013 ISX ENGINE (CONT.), P. 3.....	131
7.4. ACCELERATOR WIRING WITH F-2013 ISX ENGINE, P. 4.....	132
7.5. DIESEL EXHAUST FLUID (DEF) AND AFTERTREATMENT WITH F-2013 ISX ENGINE, P. 5.....	133
7.6. DEF AND AFTERTREATMENT WITH F-2013 ISX ENGINE (CONT.), P. 6.....	134
7.7. DEF AND AFTERTREATMENT WITH F-2013 ISX ENGINE (CONT.), P. 7.....	135
7.8. DEF AND AFTERTREATMENT WITH F-2013 ISX ENGINE (CONT.), P. 8.....	136
7.9. DEF AND AFTERTREATMENT WITH F-2013-ISX ENGINE (CONT.), P. 9.....	137
7.10. DEF AND AFTERTREATMENT WITH F-2013-ISX ENGINE (CONT.), P. 10.....	138
7.11. POWER DISTRIBUTION MODULE (PDM) PRODUCT GRAPHICS WITH F-2013-ISX ENGINE, P. 11.....	139
7.12. CRUISE CONTROL WITH N13 ENGINE, P. 12.....	140
7.13. POWER TAKE OFF (PTO) REMOTE CONTROL WITH N13 ENGINE, P. 13.....	141
7.14. ACCELERATOR WIRING WITH N13 ENGINE, P. 14.....	142
7.15. ELECTRONIC CONTROL MODULE WITH N13 ENGINE, P. 15.....	143
7.16. DEF AND AFTERTREATMENT WITH N13 ENGINE, P. 16.....	144
7.17. DEF AND AFTERTREATMENT WITH N13 ENGINE (CONT.), P. 17.....	145
7.18. DEF AND AFTERTREATMENT WITH N13 ENGINE (CONT.), P. 18.....	146
7.19. DEF AND AFTERTREATMENT WITH N13 ENGINE (CONT.), P. 19.....	147
7.20. DEF AND AFTERTREATMENT WITH N13 ENGINE (CONT.), P. 20.....	148
7.21. PDM PRODUCT GRAPHICS WITH N13 ENGINE, P. 21.....	149
7.22. J1939 CONNECTION WITH 250K WITH N13 ENGINE, P. 22.....	150
7.23. J1939 CONNECTION WITH 500K WITH N13 ENGINE, P. 23.....	151
7.24. STARTING AID WITH FLAME START WITH N13 ENGINE, P. 24.....	152
7.25. TRANSFER CASE WITH N13 ENGINE, P. 25.....	153
7.26. ENGINE BRAKE WIRING, P. 26.....	154
7.27. TRANSMISSION CONTROL WIRING, P. 27.....	155
7.28. AFTERTREATMENT PARK AND INHIBIT SWITCH WIRING, P. 28.....	156
7.29. REMOTE VOLTAGE SENSOR, P. 29.....	157
7.30. CRUISE CONTROL WITH F-2017 ISX ENGINE, P. 30.....	158
7.31. CRUISE CONTROL WITH F-2017 ISX ENGINE (CONT.), P. 31.....	159
7.32. ACCELERATOR WIRING WITH F-2017 ISX ENGINE, P. 32.....	160
7.33. DIESEL EXHAUST FLUID (DEF) AND AFTERTREATMENT WITH F-2017 ISX ENGINE, P. 33.....	161
7.34. DEF AND AFTERTREATMENT WITH F-2017 ISX ENGINE (CONT.), P. 34.....	162
7.35. DEF AND AFTERTREATMENT WITH F-2017 ISX ENGINE (CONT.), P. 35.....	163
7.36. DEF AND AFTERTREATMENT WITH F-2017 ISX ENGINE (CONT.), P. 36.....	164
7.37. POWER DISTRIBUTION MODULE (PDM) PRODUCT GRAPHICS WITH F-2017 ISX ENGINE, P. 37.....	165
7.38. UNDERHOOD PDM WITH F-2017 ISX ENGINE, P. 38.....	166
7.39. UNDERHOOD PDM WITH F-2017 ISX ENGINE (CONT.), P. 39.....	167
7.40. INTENTIONALLY LEFT BLANK, P. 40.....	168
7.41. CRUISE CONTROL WITH REMOTE CRUISE CONTROL N13 2017 ENGINE, P. 41.....	169
7.42. CRUISE CONTROL WITHOUT REMOTE CRUISE CONTROL N13 2017 ENGINE, P. 42.....	170
7.43. PTO REMOTE CONTROL WITH N13 2017 ENGINE, P. 43.....	171
7.44. ELECTRONIC CONTROL MODULE WITH N13 2017 ENGINE, P. 44.....	172
7.45. ELECTRONIC CONTROL MODULE WITH N13 2017 ENGINE (CONT.), P. 45.....	173
7.46. DEF AND AFTERTREATMENT WITH N13 2017 ENGINE, P. 46.....	174

TABLE OF CONTENTS (CONT.)

7.47. DEF AND AFTERTREATMENT WITH N13 2017 ENGINE (CONT.), P. 47.....	175
7.48. DEF AND AFTERTREATMENT WITH N13 2017 ENGINE (CONT.), P. 48.....	176
7.49. AFTERTREATMENT HORIZONTAL EXHAUST WITH N13 2017 ENGINE, P. 49.....	177
7.50. PDM PRODUCT GRAPHICS WITH N13 2017 ENGINE, P. 50.....	178
7.51. UNDERHOOD PDM WITH N13 2017 ENGINE, P. 51.....	179
7.52. UNDERHOOD PDM PRODUCT GRAPHIC WITH N13 2017 ENGINE, P. 52.....	180
7.53. STARTING AIR WITH FLAME START WITH N13 2017 ENGINE, P. 53.....	181
8. GAUGES AND WARNING LIGHTS (CHAPTER 8).....	182
8.1. GAUGES – CLUSTER CONNECTOR, P. 1.....	182
8.2. BRAKE APPLICATION GAUGE WIRING, P. 2.....	183
8.3. SUSPENSION GAUGE WITH TRIDEM, P. 3.....	184
8.4. REAR AXLE TEMPERATURE GAUGE WITH TRIDEM, P. 4.....	185
8.5. TWO SPEED AXLE, P. 5.....	186
8.6. POWER DIVIDER LOCK, P. 6.....	187
8.7. FUEL HEATER, P. 7.....	188
8.8. FUEL AND TEMPERATURE SENDERS, P. 8.....	189
8.9. AIR FILTER RESTRICTION GAUGE WARNING, P. 9.....	190
8.10. FUEL WATER SEPARATOR WITH F-2013, 2017-ISX ENGINE, P. 10.....	191
8.11. TRANSMISSION OIL TEMPERATURE AND WITH ADVANTAGE SERIES TRANSMISSION WITH F-2013, 2017-ISX ENGINE, P. 11.....	192
8.12. FUEL WATER SEPARATOR WITH N13 ENGINE, P. 12.....	193
8.13. TWO SPEED AXLE, P. 13.....	194
8.14. TRANSMISSION OIL TEMPERATURE & ADVANTAGE TRANSMISSION N13 2017 ENGINE, P. 14.....	195
8.15. FUEL / WATER SEPARATOR DAVCO & RACOR N13 2017 ENGINE, P. 15.....	196
9. LIGHTING SYSTEM (CHAPTER 9).....	197
9.1. BACKUP LIGHT WITH ALLISON AND ULTRASHIFT TRANSMISSION WITH ISX 2013, 2017 ENGINE OR N13 2017 ENGINE, P. 1.....	197
9.2. HEADLIGHT, AUXILIARY LIGHT, AND PANEL LIGHT SWITCH, P. 2.....	198
9.3. HEADLIGHT WIRING WITH AUXILIARY LIGHTS, P. 3.....	199
9.4. HEADLIGHT WIRING WITHOUT AUXILIARY LIGHTS, P. 4.....	200
9.5. HEADLIGHT WIRING WITH SET BACK AXLE, P. 5.....	201
9.6. HEADLIGHT WIRING WITH SET BACK AXLE (CONT.), P. 6.....	202
9.7. HEADLIGHT WIRING WITH SET FRONT AXLE, P. 7.....	203
9.8. HEADLIGHT WIRING WITH SET FRONT AXLE (CONT.), P. 8.....	204
9.9. FOG LIGHTS, P. 9.....	205
9.10. COURTESY LIGHTS, P. 10.....	206
9.11. DAY CAB WORK LIGHTS, P. 11.....	207
9.12. SLEEPER BOX WITH WORK LIGHTS, P. 11A.....	208
9.13. CARGO LIGHTS AND WORK LIGHTS, P. 11B.....	209
9.14. MODESTY LIGHTS AND SUNSHADE CLEARANCE LIGHTS, P. 12.....	210
9.15. BEACON LIGHTS, P. 13.....	211
9.16. DOME LIGHTS, P. 14.....	212
9.17. TAIL, TURN, AND STOP LIGHTS, P. 15.....	213
9.18. TURN LIGHTS, P. 16.....	214
9.19. TURN SIGNAL WIRING AND HAZARD LIGHT SWITCH, P. 17.....	215
9.20. LEFT AND RIGHT TURN RELAY SPLICE PACK, P. 18.....	216
9.21. LIGHTS – CLUSTER CONNECTORS, P. 19.....	217
9.22. TAIL / CLEARANCE SPLICE PACK, P. 20.....	218

TABLE OF CONTENTS (CONT.)

9.23. TAIL / CLEARANCE SPLICE PACK (CONT.), P. 20A.....	219
9.24. MARKER INTERRUPT AND EXTERIOR LAMP CHECK SWITCH, P. 21.....	220
9.25. SWITCHED POWER FEED, P. 22.....	221
9.26. SWITCHED POWER FEED (CONT.), P. 22A.....	222
9.27. CUSTOMER DEFINED AUXILIARY SWITCH, P. 23.....	223
9.28. CUSTOMER DEFINED AUXILIARY SWITCH (CONT.), P. 24.....	224
9.29. CUSTOMER DEFINED AUXILIARY SWITCH (CONT.), P. 25.....	225
9.30. CUSTOMER DEFINED AUXILIARY SWITCH (CONT.), P. 25A.....	226
9.31. CUSTOMER DEFINED AUXILIARY SWITCH (CONT.), P. 25B.....	227
9.32. SLEEPER BOX WITH SKIRT LIGHT CONNECTIONS, P. 26.....	228
9.33. SLEEPER BOX WITH LUGGAGE LIGHTS CONNECTIONS, P. 27.....	229
9.34. SLEEPER BOX WITH LUGGAGE LIGHTS CONNECTIONS (CONT.), P. 28.....	230
9.35. SLEEPER BOX WITH DOME AND READING LIGHT, P. 29.....	231
9.36. SLEEPER BOX WITH DOME AND READING LIGHT (CONT.), P. 30.....	232
9.37. SLEEPER BOX WITH TURN AND MARKER LIGHTS N13 2017 ENGINE, P. 31.....	233
10. CHASSIS ACCESSORIES (CHAPTER 10).....	234
10.1. AIR DRYER AND HEATED DRAIN VALVE, P. 1.....	234
10.2. DIFFERENTIAL WARNING LIGHTS, P. 2.....	235
10.3. DIFFERENTIAL WARNING LIGHTS (CONT.), P. 3.....	236
10.4. AIR SWITCHES, P. 4.....	237
10.5. BRAKE WIRING, P. 5.....	238
10.6. BENDIX ELECTRONIC STABILITY PROGRAM (ESP) WIRING WITH TRACTOR BRAKES WITH ULTRASHIFT TRANSMISSION, P. 6.....	239
10.7. BENDIX ESP WIRING WITH TRACTOR BRAKES WITH ULTRASHIFT TRANSMISSION (CONT.), P. 7.....	240
10.8. BENDIX ESP WIRING WITH TRACTOR BRAKES WITH ULTRASHIFT TRANSMISSION (CONT.), P. 8.....	241
10.9. BENDIX ESP WIRING WITH TRACTOR BRAKES WITH ULTRASHIFT TRANSMISSION (CONT.), P. 9.....	242
10.10. BENDIX ESP WIRING WITH TRACTOR BRAKES WITH ULTRASHIFT TRANSMISSION (CONT.), P. 10.....	243
10.11. BENDIX ESP WIRING WITH TRACTOR BRAKES WITH ULTRASHIFT TRANSMISSION (CONT.), P. 11.....	244
10.12. BENDIX ESP WIRING WITH TRACTOR BRAKES WITH ULTRASHIFT TRANSMISSION (CONT.), P. 12.....	245
10.13. HILL START AID SWITCH, P. 13.....	246
10.14. LIFT AXLE LATCH AND REVERSE RELAY, P. 14.....	247
10.15. LIFT AXLE WIRING WITH ONE AXLE, P. 15.....	248
10.16. LIFT AXLE WIRING WITH TWO AXLES, P. 16.....	249
10.17. LIFT AXLE WIRING WITH THREE AXLES, P. 17.....	250
10.18. TAG AXLE WIRING, P. 18.....	251
10.19. PUSHER AXLE WIRING, P. 19.....	252
10.20. BODY BUILDER LIGHTING WIRING, P. 20.....	253
10.21. BODY BUILDER LIGHTING WIRING (CONT.), P. 21.....	254
10.22. BODY BUILDER LIGHTING WIRING (CONT.), P. 22.....	255
10.23. BODY BUILDER LIGHTING WIRING (CONT.), P. 23.....	256
10.24. AUXILIARY TRAILER SOCKET WIRING, P. 24.....	257
10.25. STANDARD BACK OF CAB (BOC) TRAILER SOCKET WIRING, P. 25.....	258
10.26. END OF FRAME (EOF) TRAILER SOCKET WIRING, P. 26.....	259
10.27. STANDARD BOC AND EOF TRAILER SOCKET WIRING, P. 27.....	260

TABLE OF CONTENTS (CONT.)

10.28. TRAILER SOCKET GROUND, P. 28.....	261
10.29. TRAILER STOP AND ABS TRAILER RELAY, P. 29.....	262
10.30. BENDIX WINGMAN ADVANCED WIRING, P. 30.....	263
10.31. SLEEPER BOX WITH TRAILER SOCKET, P. 31.....	264
10.32. SLEEPER BOX WITH TRAILER SOCKET (CONT.), P. 32.....	265
10.33. TRAILER SOCKET WITH AUXILIARY 7 WAY, P. 33.....	266
10.34. TRAILER SOCKET WITH ETB, P. 33A.....	267
10.35. BENDIX FUSION WIRING, P. 34.....	268
10.36. BENDIX FUSION WIRING (CONT), P. 35.....	269
10.37. BENDIX FUSION WIRING (CONT), P. 36.....	270
10.38. J1939 DATALINK WITH BENDIX FUSION, P. 37.....	271
10.39. BENDIX FUSION POWER & GROUND TO DIU, P. 38.....	272
10.40. LIFT AXLE WIRING, WITH AUTO RAISE IN REVERSE, P. 39.....	273
10.41. LIFT AXLE WIRING, WITH 2 AXLES AND AUTO RAISE IN REVERSE, P. 40.....	274
11. TRANSMISSION CONTROL MODULE (CHAPTER 11).....	275
11.1. ALLISON TRANSMISSION, P. 1.....	275
11.2. ALLISON TRANSMISSION (CONT.), P. 2.....	276
11.3. ALLISON TRANSMISSION (CONT.), P. 3.....	277
11.4. ALLISON TRANSMISSION (CONT.), P. 4.....	278
11.5. ALLISON TRANSMISSION WITH 500K WITH EOF SHIFTER WITH F-2013-ISX ENGINE, P. 5.....	279
11.6. ALLISON TRANSMISSION WITH 500K WITH RETARDER WITH EOF SHIFTER WITH F-2013-ISX ENGINE, P. 6.....	280
11.7. ALLISON TRANSMISSION WITH 500K WITH RETARDER WITHOUT EOF SHIFTER WITH F-2013-ISX ENGINE, P. 7.....	281
11.8. ULTRASHIFT TRANSMISSION WITH 500K WITH F-2013-ISX ENGINE, P. 8.....	282
11.9. MANUAL TRANSMISSION WITH F-2013-ISX ENGINE, P. 9.....	283
11.10. ALLISON TRANSMISSION WITH N13 ENGINE, P. 10.....	284
11.11. ALLISON TRANSMISSION WITH N13 ENGINE (CONT.), P. 11.....	285
11.12. ULTRASHIFT TRANSMISSION WITH N13 ENGINE, P. 12.....	286
11.13. ALLISON TRANSMISSION WITH 500K WITH F-2017 ISX ENGINE, P. 13.....	287
11.14. ALLISON TRANSMISSION WITH 500K WITH F-2017 ISX ENGINE (CONT.), P. 14.....	288
11.15. ALLISON TRANSMISSION WITH 500K WITH F-2017 ISX ENGINE (CONT.), P. 15.....	289
11.16. ULTRASHIFT TRANSMISSION WITH 500K WITH F-2017 ISX ENGINE, P. 16.....	290
11.17. MANUAL TRANSMISSION WITH 500K WITH F-2017 ISX ENGINE, P. 17.....	291
11.18. MANUAL TRANSMISSION WITH N13 2017 ENGINE, P. 18.....	292
11.19. ALLISON TRANSMISSION WITH 4K & 4700 WITH N13 2017 ENGINE, P. 19.....	293
11.20. ALLISON TRANSMISSION I / O SPARE WITH N13 2017 ENGINE, P. 20.....	294
11.21. ALLISON TRANSMISSION I / O SPARE WITH N13 2017 ENGINE (CONT.), P. 21.....	295
11.22. ALLISON 4700 TRANSMISSION WITH 500K WITH N13 2017 ENGINE, P. 22.....	296
11.23. ALLISON TRANSMISSION WITH RETARDER N13 2017 ENGINE, P. 23.....	297
11.24. ULTRASHIFT VOCATIONAL PERFORMANCE N13 2017 ENGINE, P. 24.....	298
11.25. ULTRASHIFT VOCATIONAL PERFORMANCE N13 2017 ENGINE (CONT.), P. 25.....	299
11.26. ALLISON I/O WITH TRANSMISSION PTO SWITCH, P. 26.....	300
11.27. ROAD SPEED W/F-ISX-2017-ENG, P. 26.....	301
12. HVAC (CHAPTER 12).....	302
12.1. HVAC WIRING – CAB WITH CUMMINS ISX AND N13 ENGINE, P. 1.....	302
12.2. HVAC WIRING – HEATER CAB, P. 2.....	303
12.3. HVAC WIRING – HEATER CAB (CONT.), P. 3.....	304

TABLE OF CONTENTS (CONT.)

12.4. HVAC WIRING – WITH AIR CONDITIONING PROTECTION AND DIAGNOSTIC SYSTEM (APADS) WITH CUMMINS ISX AND N13 ENGINE, P. 4..... 305

12.5. SLEEPER BOX WITH HVAC CONNECTION, P. 5..... 306

12.6. SLEEPER BOX WITH HVAC CONNECTION (CONT.), P. 6..... 307

13. CONNECTOR COMPOSITES (CHAPTER 13)..... 308

13.1. CONNECTOR COMPOSITES (1), P. 1..... 308

13.2. CONNECTOR COMPOSITES (1M / 2), P. 2..... 309

13.3. CONNECTOR COMPOSITES (2), P. 2A..... 310

13.4. CONNECTOR COMPOSITES (2) (CONT.), P. 2B..... 311

13.5. CONNECTOR COMPOSITES (2M), P. 3..... 312

13.6. CONNECTOR COMPOSITES (3 / 3M / 4M / 8A / 9M), P. 4..... 313

13.7. CONNECTOR COMPOSITES (16B), P. 4A..... 314

13.8. CONNECTOR COMPOSITES (18M / 20 / 40M / 48 / 49 / 71), P. 5..... 315

13.9. CONNECTOR COMPOSITES (72 / 76M / 90M), P. 5A..... 316

13.10. CONNECTOR COMPOSITES (101 / 100M3), P. 6..... 317

13.11. CONNECTOR COMPOSITES (105F), P. 6A..... 318

13.12. CONNECTOR COMPOSITES (105M), P. 7..... 319

13.13. CONNECTOR COMPOSITES (105M), P. 7A..... 320

13.14. CONNECTOR COMPOSITES (110 / 110A), P. 8..... 321

13.15. CONNECTOR COMPOSITES (110A / 110B / 110C / 112 / 115), P. 8A..... 322

13.16. CONNECTOR COMPOSITES (116 / 117 / 118 / 141F / 161M / 162F), P. 8B..... 323

13.17. CONNECTOR COMPOSITES (190), P. 9..... 324

13.18. CONNECTOR COMPOSITES (190) (CONT.), P. 9A..... 325

13.19. CONNECTOR COMPOSITES (190M / 203 / 204 / 205), P. 10..... 326

13.20. CONNECTOR COMPOSITES (227 / *228 / %228 / *236 / 254M / 267M / *275), P. 11..... 327

13.21. CONNECTOR COMPOSITES (289F / 289F2 / 289F3 / 290F / 291F / 292F / 292F1 / 294A / 294F), P. 12..... 328

13.22. CONNECTOR COMPOSITES (303M / 344 / 345F/ 369 / 371 / 372M), P. 13..... 329

13.23. CONNECTOR COMPOSITES (374M / 400 / 401 / 417 / 418), P. 14..... 330

13.24. CONNECTOR COMPOSITES (421M / 422M / 425M), P. 15..... 331

13.25. CONNECTOR COMPOSITES (426), P. 15A..... 332

13.26. CONNECTOR COMPOSITES (427 / 428F), P. 16..... 333

13.27. CONNECTOR COMPOSITES (429 / *430), P. 17..... 334

13.28. CONNECTOR COMPOSITES (430 / 433M / 434M), P. 18..... 335

13.29. CONNECTOR COMPOSITES (435M / 436M / 438M / 440M), P. 19..... 336

13.30. CONNECTOR COMPOSITES (441M / 443 / 443M / 444M / 445M), P. 20..... 337

13.31. CONNECTOR COMPOSITES (448M / 449M / 450M / 451M), P. 21..... 338

13.32. CONNECTOR COMPOSITES (452M / 453M / 454M), P. 22..... 339

13.33. CONNECTOR COMPOSITES (455M / 456M / 457M / 458M), P. 23..... 340

13.34. CONNECTOR COMPOSITES (459M / 460M / 461M / 465M), P. 24..... 341

13.35. CONNECTOR COMPOSITES (467 / 471 / 480M / 481M / 482M / 483M / 484M), P. 25..... 342

13.36. CONNECTOR COMPOSITES (485M / 490M / 491 / 491M), P. 26..... 343

13.37. CONNECTOR COMPOSITES (492 / 493 / 494 / 503M), P. 26A..... 344

13.38. CONNECTOR COMPOSITES (504M / 505M / 506M / 506N), P. 27..... 345

13.39. CONNECTOR COMPOSITES (507M / 509M / 527 / 528 / 529 / 530), P. 28..... 346

13.40. CONNECTOR COMPOSITES (531 / 540 / 541 / 562 / 562A / 563M), P. 29..... 347

13.41. CONNECTOR COMPOSITES (564M / 565M / 566 / 567M / 568 / 569M), P. 30..... 348

13.42. CONNECTOR COMPOSITES (575 / 576 / 577 / 578 / 579), P. 30A..... 349

13.43. CONNECTOR COMPOSITES (583 / 587 / 592 / 593 / 594 / 607), P. 30B..... 350

13.44. CONNECTOR COMPOSITES (608 / 640 / 641 / 659 / 670), P. 31..... 351

TABLE OF CONTENTS (CONT.)

13.45. CONNECTOR COMPOSITES (670 / 670A / 671 / *670A), P. 32.....	352
13.46. CONNECTOR COMPOSITES (671A / 672 / 673), P. 33.....	353
13.47. CONNECTOR COMPOSITES (674), P. 34.....	354
13.48. CONNECTOR COMPOSITES (674 / *674), P. 34A.....	355
13.49. CONNECTOR COMPOSITES (*674D / 675 / 676), P. 35.....	356
13.50. CONNECTOR COMPOSITES (677 / 678), P. 36.....	357
13.51. CONNECTOR COMPOSITES (679), P. 37.....	358
13.52. CONNECTOR COMPOSITES (679), P. 38.....	359
13.53. CONNECTOR COMPOSITES (679F / 680 / *680 / 680F), P. 39.....	360
13.54. CONNECTOR COMPOSITES (*681 / 685), P. 40.....	361
13.55. CONNECTOR COMPOSITES (686 / 687 / 687A), P. 41.....	362
13.56. CONNECTOR COMPOSITES (690), P. 42.....	363
13.57. CONNECTOR COMPOSITES (690 / *690 / 691 / 789 / 800), P. 42A.....	364
13.58. CONNECTOR COMPOSITES (#800F / 878F / 879M / 884F / 885F / 905M), P. 43.....	365
13.59. CONNECTOR COMPOSITES (906F / 906M), P. 43A.....	366
13.60. CONNECTOR COMPOSITES (907M / 922M / 923F / 923H / 923J), P. 43B.....	367
13.61. CONNECTOR COMPOSITES (935F / 936F / 937F / 942F / 942M / 945A), P. 44.....	368
13.62. CONNECTOR COMPOSITES (*946 / 958F / 974F / 975F / 979F), P. 44A.....	369
13.63. CONNECTOR COMPOSITES (980M / 981F / 982M), P. 44B.....	370
13.64. CONNECTOR COMPOSITES (1001), P. 45.....	371
13.65. CONNECTOR COMPOSITES (1001), P. 46.....	372
13.66. CONNECTOR COMPOSITES (1002), P. 47.....	373
13.67. CONNECTOR COMPOSITES (1002), P. 48.....	374
13.68. CONNECTOR COMPOSITES (1003), P. 49.....	375
13.69. CONNECTOR COMPOSITES (1003), P. 50.....	376
13.70. CONNECTOR COMPOSITES (1004), P. 51.....	377
13.71. CONNECTOR COMPOSITES (1004), P. 52.....	378
13.72. CONNECTOR COMPOSITES (1015 / 1015A / 1020 / 1021 / 1023A), P. 53.....	379
13.73. CONNECTOR COMPOSITES (1023B / 1023C / 1025 / 1026), P. 54.....	380
13.74. CONNECTOR COMPOSITES (1027 / 1028), P. 55.....	381
13.75. CONNECTOR COMPOSITES (1034A / 1034B / 1034AF), P. 55A.....	382
13.76. CONNECTOR COMPOSITES (1034BF / 1039 / 1040 / 1042), P. 56.....	383
13.77. CONNECTOR COMPOSITES (1043 / 1044 / 1045 / 1046 / 1047), P. 57.....	384
13.78. CONNECTOR COMPOSITES (1049A / 1049B / 1049AF / 1049BF), P. 58.....	385
13.79. CONNECTOR COMPOSITES (1051F / 1054F / 1054FP / 1056M), P. 59.....	386
13.80. CONNECTOR COMPOSITES (1057 / 1058M / 1059M / 1060M), P. 60.....	387
13.81. CONNECTOR COMPOSITES (1090F / 1090M / 1095F / 1108 / 1109M), P. 61.....	388
13.82. CONNECTOR COMPOSITES (1125 / 1126 / 1128M / 1129M / 1130M), P. 62.....	389
13.83. CONNECTOR COMPOSITES (1131M / 1132M / 1133M / 1134M), P. 63.....	390
13.84. CONNECTOR COMPOSITES (1135 / 1135M / 1136M / 1137M / 1138M), P. 64.....	391
13.85. CONNECTOR COMPOSITES (1140 / 1244F / 1245M / 1246F / 1247M), P. 64A.....	392
13.86. CONNECTOR COMPOSITES (1286 / 1287 / 1288 / 1304 / 1305 / 1306 / 1322A), P. 65.....	393
13.87. CONNECTOR COMPOSITES (1322F / 1322M / 1348 / 1349), P. 65A.....	394
13.88. CONNECTOR COMPOSITES (1350 / 1360 / 1361 / 1365), P. 66.....	395
13.89. CONNECTOR COMPOSITES (1366 / 1368F / 1369), P. 67.....	396
13.90. CONNECTOR COMPOSITES (1378 / 1386 / 1402 / 1403), P. 68.....	397
13.91. CONNECTOR COMPOSITES (1404M / 1408M / 1414 / 1414P), P. 69.....	398
13.92. CONNECTOR COMPOSITES (1450 / 1451 / 1600 / 1601), P. 70.....	399
13.93. CONNECTOR COMPOSITES (1602 / 1603), P. 71.....	400
13.94. CONNECTOR COMPOSITES (1604 / 1605 / 1606), P. 72.....	401
13.95. CONNECTOR COMPOSITES (1701), P. 73.....	402

TABLE OF CONTENTS (CONT.)

13.96. CONNECTOR COMPOSITES (1701F), P. 74.....	403
13.97. CONNECTOR COMPOSITES (1805 / 1811), P. 75.....	404
13.98. CONNECTOR COMPOSITES (1812 / 1813 / 1814 / 1815 / 1874A), P. 76.....	405
13.99. CONNECTOR COMPOSITES (*1874B / 1874B / 1874C / 1938M / 1939 / 1939M), P. 77.....	406
13.100. CONNECTOR COMPOSITES (1916 / 1917 / 1918A / 1919A), P. 77A.....	407
13.101. CONNECTOR COMPOSITES (1937N / 1943M / 1978 / 1979), P. 77B.....	408
13.102. CONNECTOR COMPOSITES (1979A / 2000N / 2224 / 2225), P. 77C.....	409
13.103. CONNECTOR COMPOSITES (2996 / 2997 / 2998 / 2999), P. 77D.....	410
13.104. CONNECTOR COMPOSITES (3000), P. 78.....	411
13.105. CONNECTOR COMPOSITES (3005), P. 79.....	412
13.106. CONNECTOR COMPOSITES (3010), P. 80.....	413
13.107. CONNECTOR COMPOSITES (3020), P. 80A.....	414
13.108. CONNECTOR COMPOSITES (3045 / 3050 / 4327 / 4327L), P. 81.....	415
13.109. CONNECTOR COMPOSITES (4327R / *4328 / 4450M / 4450AM), P. 82.....	416
13.110. CONNECTOR COMPOSITES (4450BM / 4450BF / 4460M / 4460BM), P. 83.....	417
13.111. CONNECTOR COMPOSITES (4705 / 4706 / 4950 / 4950A), P. 84.....	418
13.112. CONNECTOR COMPOSITES (5001), P. 84A.....	419
13.113. CONNECTOR COMPOSITES (5002 / 5007 / 5118), P. 84B.....	420
13.114. CONNECTOR COMPOSITES (6000), P. 85.....	421
13.115. CONNECTOR COMPOSITES (6000), P. 85A.....	422
13.116. CONNECTOR COMPOSITES (6001 / 6018), P. 86.....	423
13.117. CONNECTOR COMPOSITES (6018), P. 86A.....	424
13.118. CONNECTOR COMPOSITES (6019), P. 87.....	425
13.119. CONNECTOR COMPOSITES (*6019), P. 87A.....	426
13.120. CONNECTOR COMPOSITES (*6033 / 6033 / *6104 / 6200 / %6200), P. 88.....	427
13.121. CONNECTOR COMPOSITES (6260A / 6260F / 6260FP), P. 89.....	428
13.122. CONNECTOR COMPOSITES (*6260H / *6260VN / *6316M), P. 90.....	429
13.123. CONNECTOR COMPOSITES (*6400 / *6401 / *6550 / *6566), P. 91.....	430
13.124. CONNECTOR COMPOSITES (6567 / 6704 / 6704B), P. 92.....	431
13.125. CONNECTOR COMPOSITES (6704D / 6704F / 6705B), P. 93.....	432
13.126. CONNECTOR COMPOSITES (6706 / 6707 / 6748 / *7100 / *7104F), P. 94.....	433
13.127. CONNECTOR COMPOSITES (7105 / *7110 / %7110AA / 7110B), P. 95.....	434
13.128. CONNECTOR COMPOSITES (7205F / 7206M / 7110B / *7211 / 7211A), P. 96.....	435
13.129. CONNECTOR COMPOSITES (*7212 / *7213 / #7213 / &7250), P. 96A.....	436
13.130. CONNECTOR COMPOSITES (7250 / *7303 / *7500W), P. 96B.....	437
13.131. CONNECTOR COMPOSITES (7501 / 7600 / 7603 / 7603C / *7608 / 7608A / *7615 / 7615A / 7700K / *7700L), P. 97.....	438
13.132. CONNECTOR COMPOSITES (7704 / 8000 / 8102 / 8165), P. 98.....	439
13.133. CONNECTOR COMPOSITES (8165 / 8200 / 8200A / 8201 / 8410 / 8500), P. 99.....	440
13.134. CONNECTOR COMPOSITES (8702 / 8802 / 8806 / 8807 / 8809), P. 99A.....	441
13.135. CONNECTOR COMPOSITES (8881 / 8882), P. 99B.....	442
13.136. CONNECTOR COMPOSITES (8996), P. 99C.....	443
13.137. INTENTIONALLY LEFT BLANK, P. 100.....	444
13.138. CONNECTOR COMPOSITES (8810 / 8903 / 8956 / 9000 / 9001), P. 101.....	445
13.139. CONNECTOR COMPOSITES (9002 / 9314A / 9314B), P. 102.....	446
13.140. CONNECTOR COMPOSITES (9109A / 9303A / 9314A / 9314B / 9501A / 9501B / 9501C / 9501D), P. 103.....	447
13.141. CONNECTOR COMPOSITES (9501K / 9501L / 9501P / 9501R), P. 104.....	448
13.142. CONNECTOR COMPOSITES (9501T / 9501V / 9502 / 9502A), P. 105.....	449
13.143. CONNECTOR COMPOSITES (9502B / 9502C / 9502D / 9502L), P. 106.....	450
13.144. CONNECTOR COMPOSITES (9502P / 9502R / 9502T / 9502V), P. 107.....	451

TABLE OF CONTENTS (CONT.)

13.145. CONNECTOR COMPOSITES (9503A / 9503B / 9503C / 9503D / 9503E), P. 108.....	452
13.146. CONNECTOR COMPOSITES (9503F / 9503K / 9503L / 9503P / 9503R), P. 109.....	453
13.147. CONNECTOR COMPOSITES (9503T / 9503V / 9503W / 9503X / 9510A), P. 110.....	454
13.148. CONNECTOR COMPOSITES (9511 / 9512C / 9514 / 9514C), P. 111.....	455
13.149. CONNECTOR COMPOSITES (9514F / 9520 / 9521 / 9521A), P. 112.....	456
13.150. CONNECTOR COMPOSITES (9522 / 9522B / 9522C / 9522D), P. 113.....	457
13.151. CONNECTOR COMPOSITES (9522L / 9522P / 9522R / 9522T), P. 114.....	458
13.152. CONNECTOR COMPOSITES (9522V / 9522W / 9522X / 9531 / 9715F), P. 115.....	459
13.153. CONNECTOR COMPOSITES (9715M / 9716F / 9716M / 9717F), P. 116.....	460
13.154. CONNECTOR COMPOSITES (9717M / 9725F / 9725M / 9726F / 9726M), P. 117.....	461
13.155. CONNECTOR COMPOSITES (9727F / 9727M / 9762 / 9763), P. 118.....	462
13.156. CONNECTOR COMPOSITES (9764 / 9778F / 9778FB / 9779F), P. 119.....	463
13.157. CONNECTOR COMPOSITES (9779FB / 9780M / 9781M / 9782F), P. 120.....	464
13.158. CONNECTOR COMPOSITES (9783F / 9784 / 9790MB / 9800), P. 121.....	465
13.159. CONNECTOR COMPOSITES (9800F / 9802 / 9812), P. 122.....	466
13.160. CONNECTOR COMPOSITES (9813 / 9814A / 9814B / 9814C), P. 123.....	467
13.161. CONNECTOR COMPOSITES (9814D / 9815 / 9822 / 9824 / 9900A), P. 124.....	468

TABLE OF CONTENTS

INSTRUCTIONS AND CHARTS (CHAPTER 2)

2.1. ABBREVIATIONS, P. 1

NAVISTAR, INC				ELECTRICAL CIRCUIT DIAGRAM		CHAPTER 2	
THIS PRINT IS PROVIDED ON A RESTRICTED BASIS AND IS NOT TO BE USED IN ANY WAY DETRIMENTAL TO THE INTEREST OF NAVISTAR, INC.				ABBREVIATIONS			
ACCESS	ACCESSORY	CUR	CURRENT	PRESS	PRESSURE		
AC	AIR CONDITIONING	DPNL	DASHBOARD	RAD	RADIO		
AIR CLNR	AIR CLEANER	DFTR	DEFLECTOR	RE	REAR		
ALT	ALTERNATOR	DFR	DEFROSTER	RLY	RELAY		
AC	ALTERNATING CURRENT	DEG	DEGREE	RES	RESISTOR		
AFTR	AFTERTREATMENT	DIAG	DIAGRAM	R	RIGHT		
AMM	AMMETER	DSL	DIESEL	RTR	ROTOR		
AMP	AMPERE	DIFF	DIFFERENTIAL	SNSR	SENSOR		
AMP HR	AMPERE HOUR	DIMR	DIMMER	SHLD	SHIELD		
AMPL	AMPLIFIER	ELEC	ELECTRICAL	SHFT	SHIFTER		
ARM	ARMATURE	ELEX	ELECTRONICS	SLPR	SLEEPER		
ARSR	ARRESTER	ENG	ENGINE	SLV	SLEEVE		
ASSY	ASSEMBLY	EXH	EXHAUST	SPKR	SPEAKER		
AUX	AUXILIARY	FL	FLUID	SPR	SPRING		
B/U	BACK-UP	FWD	FORWARD	STD	STANDARD		
BTRY	BATTERY	FR	FRONT	STRG	STERLING		
BM	BENCHMARKING	FREQ	FREQUENCY	STLITE	SATELLITE		
BLK	BLOCK	GA	GAUGE	SUNSH	SUNSHADE		
BOOS	BOOSTER	GEN	GENERATOR	SW	SWITCH		
BOT	BOTTOM	GND	GROUND	SYS	SYSTEM		
BK	BRAKE	HARN	HARNESS	TACH	TACHOMETER		
BRKR	BREAKER	HDLP	HEADLAMP	TEMP	TEMPERATURE		
BRTHR	BREATHER	HTD	HEATED	TERM	TERMINAL		
BRT	BRIGHT	HT TR	HEAT TREAT	THROT	THROTTLE		
BUZ	BUZZER	HTR	HEATER	THRU	THROUGH		
CA	CABLE	HP	HORSEPOWER	TRLR	TRAILER		
CD	CANDELA	HYD	HYDRAULIC	XDCR	TRANSDUCER		
CP	CANDLEPOWER	ID	IDENTIFICATION	XFER	TRANSFER		
CAP	CAPACITOR	IGN	IGNITION	XFRM	TRANSFORMER		
CAT	CATERPILLAR	ILLUM	ILLUMINATION	XSTR	TRANSISTOR		
CHAS	CHASSIS	IND	INDICATOR	XMSN	TRANSMISSION		
CH	CHOKE	INST	INSTRUMENT	XMTR	TRANSMITTER		
CHRC	CIRCUIT	INT	INTERMITTENT	TRK	TRUCK		
CLK	CLOCK	L	LEFT	UPR	UPPER		
CW	CLOCKWISE	LT	LIGHT	VLV	VALVE		
CLSTR	CLUSTER	LTR	LIGHTER	VERT	VERTICAL		
CL	CLUTCH	LWR	LOWER	VM	VOLTMETER		
COL	COLUMN	MAG	MAGNET	VOL	VOLUME		
COMM	COMMUTATOR	MOD	MODULATOR	WSHR	WASHER		
CMPT	COMPONENT	MDL	MODULE	WHL	WHEEL		
CPRS	COMPRESSOR	MOT	MOTOR	WDO	WINDOW		
CONN	CONNECT	MTD	MOUNTED	WSHLD	WINDSHIELD		
CONT	CONTINUED	NEG	NEGATIVE	WPR	WIPER		
CSL	CONSOLE	N/	NOT WITH	W/	WITH		
CONT	CONTACT	NO.	NUMBER	W/O	WITHOUT		
CONT	CONTROL	PASS	PASSENGER				
CONV	CONVERTER	POSN	POSITION				
CLR	COOLER	POS	POSITIVE				
CTSY	COURTESY	POT	POTENTIOMETER				
CRUS	CRUISE	PWR	POWER				

CHK	DATE	CHANGE	REV	REFERENCE	DRAWN	NAME	
MJV0	BBJUL16	INITIAL RELEASE.	A	93368U	23132818	CIRCUIT DIAGRAM, M-PVT-SS	
					RELEASE NO.	DATE	PART NO.
					93368U	18JAN16	AE08082613 001

Figure 1 Abbreviations

2.2. ACRONYMS, P. 2

NAVISTAR, INC				ELECTRICAL CIRCUIT DIAGRAM		CHAPTER 2																																																																																																																																					
THIS PRINT IS PROVIDED ON A RESTRICTED BASIS AND IS NOT TO BE USED IN ANY WAY DETRIMENTAL TO THE INTEREST OF NAVISTAR, INC.				ACRONYMS																																																																																																																																							
<table border="1"> <thead> <tr> <th>DESCRIPTION</th> <th>ACRONYM</th> </tr> </thead> <tbody> <tr><td>ANTILOCK BRAKING SYSTEM</td><td>ABS</td></tr> <tr><td>ANTENNA COMMUNICATION UNIT</td><td>ACU</td></tr> <tr><td>ALTERNATING CURRENT</td><td>AC</td></tr> <tr><td>AXLE TO BACK OF CAB</td><td>AC</td></tr> <tr><td>AXLE TO FRAME</td><td>AF</td></tr> <tr><td>ACCELERATOR PEDAL MODULE</td><td>APM</td></tr> <tr><td>ACCELERATOR POSITION SENSOR</td><td>APS</td></tr> <tr><td>AUXILIARY POWER UNIT</td><td>APU</td></tr> <tr><td>AUTOMATIC TRACTION CONTROL</td><td>ATC</td></tr> <tr><td>AUDIO VIDEO INTERFACE</td><td>AVI</td></tr> <tr><td>BRAKE HORSEPOWER</td><td>BHP</td></tr> <tr><td>BACK OF CAB</td><td>BOC</td></tr> <tr><td>CITIZEN BAND</td><td>CB</td></tr> <tr><td>COLD CRANKING AMPERES</td><td>CCA</td></tr> <tr><td>CLEAN POWER ELECTRICAL CONNECTOR</td><td>CEC</td></tr> <tr><td>CAB OVER ENGINE</td><td>COE</td></tr> <tr><td>DIRECT CURRENT</td><td>DC</td></tr> <tr><td>DRIVER CONTROL MODULE</td><td>DCM</td></tr> <tr><td>DIGITAL DATA LINK</td><td>DDL</td></tr> <tr><td>DIESEL OXIDATION CATALYST INLET TEMPERATURE</td><td>DOCT</td></tr> <tr><td>DIESEL PARTICULATE FILTER</td><td>DPF</td></tr> <tr><td>DIESEL TURBOCHARGED</td><td>DT</td></tr> <tr><td>DAY TIME RUNNING LIGHTS</td><td>DTRL</td></tr> <tr><td>ELECTRONIC CONTROL MODULE</td><td>ECM</td></tr> <tr><td>ELECTRONIC CONTROL UNIT</td><td>ECU</td></tr> <tr><td>EXHAUST GAS RECIRCULATION</td><td>EGR</td></tr> <tr><td>EXHAUST GAS TEMPERATURE</td><td>EGT</td></tr> <tr><td>ELECTRO MAGNETIC INTERFACE</td><td>EMI</td></tr> <tr><td>END OF FRAME</td><td>EOF</td></tr> <tr><td>ELECTRIC TRAILER BRAKE</td><td>ETB</td></tr> <tr><td>FRONT AXLE</td><td>FA</td></tr> <tr><td>FRONT END</td><td>FE</td></tr> <tr><td>FRONT OF DASH</td><td>FOD</td></tr> <tr><td>FULL POWER BRAKE</td><td>FPB</td></tr> <tr><td>GLOBAL POSITIONING SYSTEM</td><td>GPS</td></tr> <tr><td>HYDRAULIC CONTROL UNIT</td><td>HCU</td></tr> <tr><td>HEAVY DUTY</td><td>HD</td></tr> <tr><td>HEAVY DUTY DIESEL</td><td>HDD</td></tr> <tr><td>HIGH PERFORMANCE TRUCK</td><td>HPT</td></tr> <tr><td>HEATING, VENTILATION, AND AIR CONDITIONING</td><td>HVAC</td></tr> </tbody> </table>				DESCRIPTION	ACRONYM	ANTILOCK BRAKING SYSTEM	ABS	ANTENNA COMMUNICATION UNIT	ACU	ALTERNATING CURRENT	AC	AXLE TO BACK OF CAB	AC	AXLE TO FRAME	AF	ACCELERATOR PEDAL MODULE	APM	ACCELERATOR POSITION SENSOR	APS	AUXILIARY POWER UNIT	APU	AUTOMATIC TRACTION CONTROL	ATC	AUDIO VIDEO INTERFACE	AVI	BRAKE HORSEPOWER	BHP	BACK OF CAB	BOC	CITIZEN BAND	CB	COLD CRANKING AMPERES	CCA	CLEAN POWER ELECTRICAL CONNECTOR	CEC	CAB OVER ENGINE	COE	DIRECT CURRENT	DC	DRIVER CONTROL MODULE	DCM	DIGITAL DATA LINK	DDL	DIESEL OXIDATION CATALYST INLET TEMPERATURE	DOCT	DIESEL PARTICULATE FILTER	DPF	DIESEL TURBOCHARGED	DT	DAY TIME RUNNING LIGHTS	DTRL	ELECTRONIC CONTROL MODULE	ECM	ELECTRONIC CONTROL UNIT	ECU	EXHAUST GAS RECIRCULATION	EGR	EXHAUST GAS TEMPERATURE	EGT	ELECTRO MAGNETIC INTERFACE	EMI	END OF FRAME	EOF	ELECTRIC TRAILER BRAKE	ETB	FRONT AXLE	FA	FRONT END	FE	FRONT OF DASH	FOD	FULL POWER BRAKE	FPB	GLOBAL POSITIONING SYSTEM	GPS	HYDRAULIC CONTROL UNIT	HCU	HEAVY DUTY	HD	HEAVY DUTY DIESEL	HDD	HIGH PERFORMANCE TRUCK	HPT	HEATING, VENTILATION, AND AIR CONDITIONING	HVAC	<table border="1"> <thead> <tr> <th>DESCRIPTION</th> <th>ACRONYM</th> </tr> </thead> <tbody> <tr><td>INJECTOR DRIVE MODULE</td><td>IDM</td></tr> <tr><td>INPUT/OUTPUT</td><td>I/O</td></tr> <tr><td>INTEGRATED MOBILE COMMUNICATIONS TERMINAL</td><td>IMCT</td></tr> <tr><td>INSTRUMENT PANEL</td><td>I/P</td></tr> <tr><td>INDEPENDENT POWER TAKE-OFF</td><td>IPTO</td></tr> <tr><td>LIGHT COMMERCIAL TRANSMISSION</td><td>LCT</td></tr> <tr><td>MEDIUM DUTY</td><td>MD</td></tr> <tr><td>MALEFUNCTION INDICATION LAMP</td><td>MIL</td></tr> <tr><td>MULTIPLX SWITCH MODULE</td><td>MSM</td></tr> <tr><td>PYROMETER AMMETER MODULE</td><td>PAM</td></tr> <tr><td>PROGRAMMABLE LOGIC CONTROLLER</td><td>PLC</td></tr> <tr><td>POWER TAKE-OFF</td><td>PTO</td></tr> <tr><td>PULSE WIDTH MODULATION</td><td>PWM</td></tr> <tr><td>REAR AXLE</td><td>RA</td></tr> <tr><td>RADIO FREQUENCY</td><td>RF</td></tr> <tr><td>ROLL STABILITY PROGRAMM</td><td>RSP</td></tr> <tr><td>SEVERE SERVICE</td><td>SS</td></tr> <tr><td>TRANSMISSION CONTROL MODULE</td><td>TCM</td></tr> <tr><td>TERRESTRIAL COMMUNICATION UNIT</td><td>TCU</td></tr> <tr><td>TERRESTRIAL MOBILE COMMUNICATIONS TERMINAL</td><td>TMCT</td></tr> <tr><td>THERMAL OVERCRANK PROTECTION</td><td>TOCP</td></tr> <tr><td>THROTTLE POSITION SENSOR</td><td>TPS</td></tr> <tr><td>VEHICLE INTERFACE MODULE</td><td>VIM</td></tr> <tr><td>ZERO VOLT REFERENCE</td><td>ZVR</td></tr> </tbody> </table>				DESCRIPTION	ACRONYM	INJECTOR DRIVE MODULE	IDM	INPUT/OUTPUT	I/O	INTEGRATED MOBILE COMMUNICATIONS TERMINAL	IMCT	INSTRUMENT PANEL	I/P	INDEPENDENT POWER TAKE-OFF	IPTO	LIGHT COMMERCIAL TRANSMISSION	LCT	MEDIUM DUTY	MD	MALEFUNCTION INDICATION LAMP	MIL	MULTIPLX SWITCH MODULE	MSM	PYROMETER AMMETER MODULE	PAM	PROGRAMMABLE LOGIC CONTROLLER	PLC	POWER TAKE-OFF	PTO	PULSE WIDTH MODULATION	PWM	REAR AXLE	RA	RADIO FREQUENCY	RF	ROLL STABILITY PROGRAMM	RSP	SEVERE SERVICE	SS	TRANSMISSION CONTROL MODULE	TCM	TERRESTRIAL COMMUNICATION UNIT	TCU	TERRESTRIAL MOBILE COMMUNICATIONS TERMINAL	TMCT	THERMAL OVERCRANK PROTECTION	TOCP	THROTTLE POSITION SENSOR	TPS	VEHICLE INTERFACE MODULE	VIM	ZERO VOLT REFERENCE	ZVR
DESCRIPTION	ACRONYM																																																																																																																																										
ANTILOCK BRAKING SYSTEM	ABS																																																																																																																																										
ANTENNA COMMUNICATION UNIT	ACU																																																																																																																																										
ALTERNATING CURRENT	AC																																																																																																																																										
AXLE TO BACK OF CAB	AC																																																																																																																																										
AXLE TO FRAME	AF																																																																																																																																										
ACCELERATOR PEDAL MODULE	APM																																																																																																																																										
ACCELERATOR POSITION SENSOR	APS																																																																																																																																										
AUXILIARY POWER UNIT	APU																																																																																																																																										
AUTOMATIC TRACTION CONTROL	ATC																																																																																																																																										
AUDIO VIDEO INTERFACE	AVI																																																																																																																																										
BRAKE HORSEPOWER	BHP																																																																																																																																										
BACK OF CAB	BOC																																																																																																																																										
CITIZEN BAND	CB																																																																																																																																										
COLD CRANKING AMPERES	CCA																																																																																																																																										
CLEAN POWER ELECTRICAL CONNECTOR	CEC																																																																																																																																										
CAB OVER ENGINE	COE																																																																																																																																										
DIRECT CURRENT	DC																																																																																																																																										
DRIVER CONTROL MODULE	DCM																																																																																																																																										
DIGITAL DATA LINK	DDL																																																																																																																																										
DIESEL OXIDATION CATALYST INLET TEMPERATURE	DOCT																																																																																																																																										
DIESEL PARTICULATE FILTER	DPF																																																																																																																																										
DIESEL TURBOCHARGED	DT																																																																																																																																										
DAY TIME RUNNING LIGHTS	DTRL																																																																																																																																										
ELECTRONIC CONTROL MODULE	ECM																																																																																																																																										
ELECTRONIC CONTROL UNIT	ECU																																																																																																																																										
EXHAUST GAS RECIRCULATION	EGR																																																																																																																																										
EXHAUST GAS TEMPERATURE	EGT																																																																																																																																										
ELECTRO MAGNETIC INTERFACE	EMI																																																																																																																																										
END OF FRAME	EOF																																																																																																																																										
ELECTRIC TRAILER BRAKE	ETB																																																																																																																																										
FRONT AXLE	FA																																																																																																																																										
FRONT END	FE																																																																																																																																										
FRONT OF DASH	FOD																																																																																																																																										
FULL POWER BRAKE	FPB																																																																																																																																										
GLOBAL POSITIONING SYSTEM	GPS																																																																																																																																										
HYDRAULIC CONTROL UNIT	HCU																																																																																																																																										
HEAVY DUTY	HD																																																																																																																																										
HEAVY DUTY DIESEL	HDD																																																																																																																																										
HIGH PERFORMANCE TRUCK	HPT																																																																																																																																										
HEATING, VENTILATION, AND AIR CONDITIONING	HVAC																																																																																																																																										
DESCRIPTION	ACRONYM																																																																																																																																										
INJECTOR DRIVE MODULE	IDM																																																																																																																																										
INPUT/OUTPUT	I/O																																																																																																																																										
INTEGRATED MOBILE COMMUNICATIONS TERMINAL	IMCT																																																																																																																																										
INSTRUMENT PANEL	I/P																																																																																																																																										
INDEPENDENT POWER TAKE-OFF	IPTO																																																																																																																																										
LIGHT COMMERCIAL TRANSMISSION	LCT																																																																																																																																										
MEDIUM DUTY	MD																																																																																																																																										
MALEFUNCTION INDICATION LAMP	MIL																																																																																																																																										
MULTIPLX SWITCH MODULE	MSM																																																																																																																																										
PYROMETER AMMETER MODULE	PAM																																																																																																																																										
PROGRAMMABLE LOGIC CONTROLLER	PLC																																																																																																																																										
POWER TAKE-OFF	PTO																																																																																																																																										
PULSE WIDTH MODULATION	PWM																																																																																																																																										
REAR AXLE	RA																																																																																																																																										
RADIO FREQUENCY	RF																																																																																																																																										
ROLL STABILITY PROGRAMM	RSP																																																																																																																																										
SEVERE SERVICE	SS																																																																																																																																										
TRANSMISSION CONTROL MODULE	TCM																																																																																																																																										
TERRESTRIAL COMMUNICATION UNIT	TCU																																																																																																																																										
TERRESTRIAL MOBILE COMMUNICATIONS TERMINAL	TMCT																																																																																																																																										
THERMAL OVERCRANK PROTECTION	TOCP																																																																																																																																										
THROTTLE POSITION SENSOR	TPS																																																																																																																																										
VEHICLE INTERFACE MODULE	VIM																																																																																																																																										
ZERO VOLT REFERENCE	ZVR																																																																																																																																										
CHK	DATE	CHANGE	REV	REFERENCE	DRAWN	NAME																																																																																																																																					
MJV04	08JUL16	INITIAL RELEASE.	A	93368U	23132818	CIRCUIT DIAGRAM, M-PVT-SS																																																																																																																																					
					RELEASE NO.	DATE	PART NO.																																																																																																																																				
					93368U	18JAN16	AE08082613 002																																																																																																																																				

Figure 2 Acronyms

2.3. CIRCUIT DIAGRAM INSTRUCTIONS, P. 3

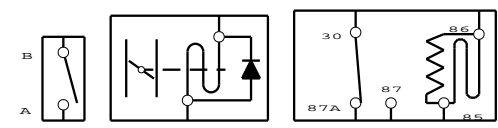
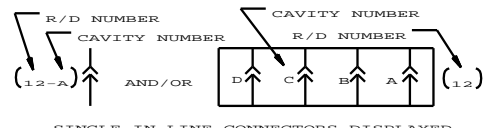
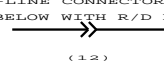
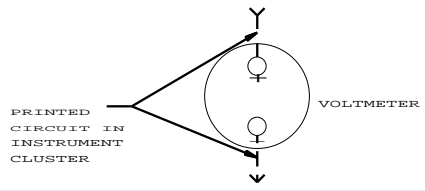
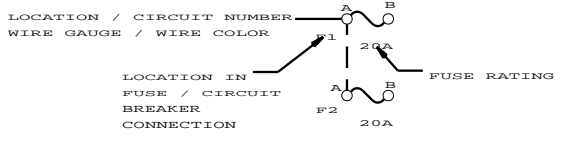
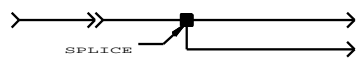
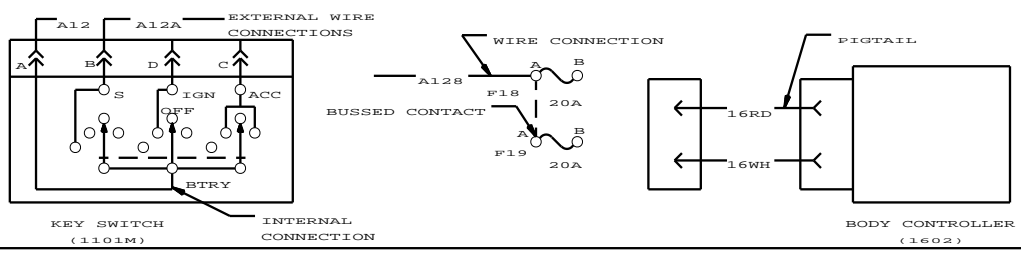
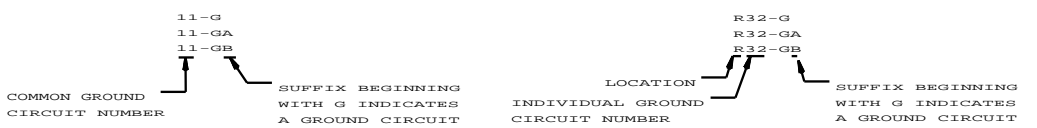
NAVISTAR, INC		ELECTRICAL CIRCUIT DIAGRAM					
THIS PRINT IS PROVIDED ON A RESTRICTED BASIS AND IS NOT TO BE USED IN ANY WAY DETRIMENTAL TO THE INTEREST OF NAVISTAR, INC.		CHAPTER 2					
CIRCUIT DIAGRAM INSTRUCTIONS							
<p>A - SWITCH AND RELAY POSITIONS AS SHOWN ON CIRCUIT DIAGRAMS INDICATE NORMAL POSITION WITH IGNITION OFF UNLESS OTHERWISE NOTED.</p>  <p>SWITCH, MECHANICAL SOLENOID RELAY - SUPPRESSED</p>	<p>B - MULTIPLE CONNECTIONS ARE DISPLAYED ON SCHEMATIC AS SHOWN WITH R/D NUMBER & CAVITY NUMBER. REFER TO CONNECTOR COMPOSITE FOR MORE INFORMATION</p>  <p>R/D NUMBER CAVITY NUMBER</p> <p>(12-A) AND/OR (12)</p> <p>SINGLE IN-LINE CONNECTORS DISPLAYED AS SHOWN BELOW WITH R/D NUMBER</p>  <p>(12)</p>						
<p>C - PHANTOM LINES INDICATE PRINTED CIRCUITS OR BUSSED CIRCUITS. THESE CIRCUITS EXIST IN THE INSTRUMENT CLUSTER AND FUSE / CIRCUIT BREAKER CONNECTORS.</p>  <p>PRINTED CIRCUIT IN INSTRUMENT CLUSTER VOLTMETER</p>  <p>LOCATION / CIRCUIT NUMBER WIRE GAUGE / WIRE COLOR FUSE RATING</p> <p>LOCATION IN FUSE / CIRCUIT BREAKER CONNECTION F1 20A F2 20A</p>							
<p>D - MULTIPLE CIRCUIT NUMBERS ON A LINE INDICATE ONE CIRCUIT DISTRIBUTING CURRENT TO TWO CIRCUITS.</p>  <p>SPLICE</p>							
<p>E - SWITCHES, RELAYS AND COMPONENTS INDICATE EXTERNAL WIRE CONNECTIONS AND / OR INTERNAL CONNECTIONS OR CONTACTS.</p>  <p>EXTERNAL WIRE CONNECTIONS KEY SWITCH (1101M) INTERNAL CONNECTION</p> <p>WIRE CONNECTION BUSSED CONTACT WIRE CONNECTION PIGTAIL</p> <p>A12 A12A A12B F18 F19 16RD 16WH BODY CONTROLLER (1602)</p>							
<p>F - CIRCUIT "11" DENOTES ANY COMMON GROUND (MORE THAN ONE CIRCUIT). ANY INDIVIDUAL GROUND CIRCUIT IS IDENTIFIED WITH THAT PARTICULAR CIRCUIT NUMBER. (E.G. CIRCUIT 32 CRUISE CONTROL IS IDENTIFIED AS PER EXAMPLE)</p>  <p>COMMON GROUND CIRCUIT NUMBER SUFFIX BEGINNING WITH G INDICATES A GROUND CIRCUIT LOCATION INDIVIDUAL GROUND CIRCUIT NUMBER SUFFIX BEGINNING WITH G INDICATES A GROUND CIRCUIT</p> <p>11-G 11-GA 11-GB R32-G R32-GA R32-GB</p>							
<p>NOTE: FOR CIRCUIT DESCRIPTION OTHER THAN GROUNDS NEITHER THE LETTER "G" NOR THE COLOR WHITE SHALL BE USED</p>							
CHK	DATE	CHANGE	REV REFERENCE	DRAWN	NAME		
MJV04	BBTUL16	INITIAL RELEASE.	A 93368U	23132818	CIRCUIT DIAGRAM, M-PVT-SS		
				RELEASE NO.	DATE	PARTY NO.	SHEET
				93368U	18JAN16	AE08082613	003

Figure 3 Circuit Diagram Instructions

2.4. CIRCUIT NUMBER IDENTIFICATION AND COLOR, P. 4

NAVISTAR, INC		ELECTRICAL CIRCUIT DIAGRAM	CHAPTER 2
THIS PRINT IS PROVIDED ON A RESTRICTED BASIS AND IS NOT TO BE USED IN ANY WAY DETRIMENTAL TO THE INTEREST OF NAVISTAR, INC.		CIRCUIT NUMBER IDENTIFICATION AND COLOR	
CIRCUIT NUMBER	COLOR	DESCRIPTION	
1	LTBL	ALTERNATOR - FIELD	
2	RD	ALTERNATOR - CHARGE	
3	DKBL	SERIAL / DATA COMMUNICATION J1587 / J1708 (+)	
	GY	SERIAL / DATA COMMUNICATION J1587 / J1708 (-)	
4	DKBL	SERIAL / DATA COMMUNICATION J1922 (+)	
	GY	SERIAL / DATA COMMUNICATION J1922 (-)	
5	YL	SERIAL / DATA COMMUNICATION J1939/11 / J1939/15 (+)	
	GN	SERIAL / DATA COMMUNICATION J1939/11 / J1939/15 (-)	
6	GY	LOW VOLTAGE ELECTRONIC FEED (LESS THAN 9 VOLTS)	
7	RD	ALTERNATOR - RESISTANCE	
8			
9	GY	LOW VOLTAGE ELECTRONIC GROUND	
10	WH	CHASSIS / ENGINE GROUND	
11	WH	CAB / SLEEPER GROUND	
12	LTBL	ACCESSORY FEED	
13	EK	IGNITION FEED	
	BK	IGNITION FEED (BODY BUILDER CONNECTOR)	
14	RD	BATTERY FEED	
15	RD	KEY SWITCH FEED	
16			
17	EK	STARTER CONTROL	
18	EK	GLOW PLUG / PREHEATER	
19	GY	ENGINE SHUTDOWN	
20	LTGN	REMOTE POWER MODULE	
21	TN	COLD START CONTROLS (ETHER)	
22	TN	TIRE PRESSURE MONITORING / CONTROL	
23	TN	ENGINE FAN / SHUTTERS	
24	GY	ENGINE EXHAUST BRAKE	
25	TN	PYROMETER	
26	TN	AMMETER	
27	TN	VOLTMETER	
28	TN	INSTRUMENTS AND GAUGES	
29	TN	ENGINE WATER TEMPERATURE	
30	TN	ENGINE OIL TEMPERATURE	
31	TN	TRANSMISSION OIL TEMPERATURE	
32	TN	AXLE OIL TEMPERATURE	
33	TN	ENGINE OIL LEVEL	
34	TN	COOLANT LEVEL	
35	TN	ENGINE OIL PRESSURE	
36	TN	FUEL LEVEL	
37	TN	FUEL PUMP	
38	GY	LIFT AXLE	
39	GY	AIR DRYER HEATER	
40	GY	LOW AIR PRESSURE WARNING	

CHK	DATE	CHANGE	REV	REFERENCE	DRAWN	NAME
MJV04	08JUL16	INITIAL RELEASE.	A	93368U	23132818	CIRCUIT DIAGRAM, M-PVT-SS
					RELEASE NO.	DATE
					93368U	18JAN16
					PART NO.	SHEET
					AE08082613	004

Figure 4 Circuit Number Identification and Color

2.5. CIRCUIT NUMBER IDENTIFICATION AND COLOR (CONT.), P. 5

NAVISTAR, INC		ELECTRICAL CIRCUIT DIAGRAM	CHAPTER 2
THIS PRINT IS PROVIDED ON A RESTRICTED BASIS AND IS NOT TO BE USED IN ANY WAY DETRIMENTAL TO THE INTEREST OF NAVISTAR, INC.		CIRCUIT NUMBER IDENTIFICATION AND COLOR (CONT)	
CIRCUIT NUMBER	COLOR	DESCRIPTION	
41	TN	AIR TEMPERATURE	
42	GY	FRONT AXLE ENGAGED	
43	GY	POWER DIVIDER LOCK (PDL) WARNING	
44	GY	PARK BRAKE WARNING	
45	LTGN	ANTITHEFT WARNING	
46	GY	POWER TAKEOFF WARNING	
47	GY	SPEEDOMETER	
48	GY	TACHOMETER	
49	GY	DIFFERENTIAL LOCK WARNING	
50	YL	LIGHT SWITCH FEED	
51	YL	DIMMER SWITCH FEED	
52	YL	HEADLIGHT HI - BEAM	
53	YL	HEADLIGHT LO - BEAM	
54	BN	PARKING / MARKER LIGHTS	
55	OR	TURN SIGNAL - FEED	
56	OR	TURN SIGNAL LIGHTS - LEFT	
	YL	TURN SIGNAL LIGHTS - LEFT (BODY BUILDER CONNECTION)	
57	OR	TURN SIGNAL LIGHTS - RIGHT	
	LTGN	TURN SIGNAL LIGHTS - RIGHT (BODY BUILDER CONNECTION)	
58	BN	CLEARANCE / IDENTIFICATION LIGHTS	
59	GY	SOLENOID	
60	OR	HAZARD LIGHTS	
61	GY	AIR SUSPENSION	
62	DKBL	PANEL LIGHTS	
63	DKBL	COURTESY / DOME LIGHTS	
64	YL	FOG / DRIVING LIGHTS	
65	OR	CAB REAR FLOOD LIGHTS	
66	YL	DAYTIME RUNNING LIGHT	
67	GY	OBSTACLE AVOIDANCE / REMOTE SENSOR	
68	BN	TAIL LIGHTS	
69	BN	LICENSE PLATE LIGHT	
70	OR	STOP LIGHTS	
	RD	STOP LIGHTS (BODY BUILDER CONNECTION)	
71	OR	BACKUP - LIGHTS	
	LTBL	BACKUP - LIGHTS (BODY BUILDER CONNECTION)	
72	OR	TRAILER AUXILIARY FEED - BATTERY	
73	LTGN	PWM	
74	LTGN	HEATER RECIRC MOTOR	
75	LTGN	HEATER BLOWER MOTOR	
76	LTGN	AUXILIARY FAN	
77	LTGN	AIR CONDITIONER	
78	LTGN	MIRRORS - HEATED, MOTORIZED	
79	GY	SEAT BELTS	
80	BK	SLEEPER BOX RELAY - FEED	

CHK	DATE	CHANGE	REV	REFERENCE	DRAWN	NAME
					23132818	CIRCUIT DIAGRAM, M-PVT-SS
MJVD	08JUL16	INITIAL RELEASE.	A	93368U	RELEASE NO.	DATE
					93368U	18JAN16
						PART NO.
						AE08082613
						SHEET
						005

Figure 5 Circuit Number Identification and Color (Cont.)

2.6. CIRCUIT NUMBER IDENTIFICATION AND COLOR (CONT.), P. 6

NAVISTAR, INC		ELECTRICAL CIRCUIT DIAGRAM	CHAPTER 2
THIS PRINT IS PROVIDED ON A RESTRICTED BASIS AND IS NOT TO BE USED IN ANY WAY DETRIMENTAL TO THE INTEREST OF NAVISTAR, INC.		CIRCUIT NUMBER IDENTIFICATION AND COLOR (CONT.)	

CIRCUIT NUMBER	COLOR	DESCRIPTION
81	LTGN	POWER DOOR LOCKS
82	GY	WINDSHIELD WIPER
83	LTGN	POWER WINDOWS
84	LTGN	CIGAR LIGHTER
85	GY	HORN
86	LTGN	RADIO - ENTERTAINMENT / CLOCK
87	GY	WINDSHIELD WASHER
88	LTGN	CLOCK / HOURMETER
89	VT	AIR BAG
90	GY	HYDRAULIC BRAKE PUMP
91	VT	INTERCOMMUNICATION
92	TN	TRANSMISSION CONTROLS - ELECTRONICS
93	TN	AXLE SHIFT CONTROL
94	GY	ANTILOCK BRAKE SYSTEM
95	TN	EXHAUST EMISSION
96	YL	SNOW PLOW LIGHTS / CRUISE CONTROLS
97	VT	ENGINE CONTROLS - ELECTRONIC
98	BK	DATALINK AND DIAGNOSTICS
99	VT	ACCELERATOR POSITION SENSOR (APS)
100	GY	AIR HORN (ELECTRIC SOLENOID ACTUATED)
101	TN	BRAKE APPLICATION AIR
102	YL	FLASH TO PASS
103	LTGN	BODY BUILDER AUXILIARY FEED
104	DKBL	REMOTE START / STOP
105	LTGN	HEATED SEATS
106	OR	HIGH VOLTAGE ALTERNATOR AC CHARGE
107	GY	INSTRUMENT CLUSTER ELECTRONIC FEED (5V)
108	GY	BRAKE PAD WEAR SENSOR
109	GY	BRAKE STROKE / SLACK ADJUSTER
110	GY	INSTRUMENT CLUSTER ELECTRONIC GROUND
111	TN	FUEL FILTER RESTRICTION TRANSDUCER
112	GY	LEFT GATE

PREFIX	LOCATION
A	CAB - INSTRUMENT PANEL MODULE
B	CAB - DRIVER CONTROL MODULE
C	CAB - HEADER / CLEARANCE LIGHTS
D	CAB - ROOF / REAR PANEL
E	CAB - LEFT DOOR / DOORS
F	CAB - RIGHT DOOR / DOORS
H	CAB - SLEEPER
J	CAB - DASH (OUTSIDE)
K	ENGINE / RADIATOR
L	TRANSMISSION
M	CHASSIS / FRONT END (CAB DASH PANEL FORWARD)
N	CHASSIS / CENTER SECTION (CAB DASH PANEL TO CAB REAR XMBR)
P	CHASSIS / WHEEL BASE SECTION
R	CHASSIS / SUSPENSION / REAR AXLE / AXLES
S	CHASSIS / AF SECTION / STOP / TAIL / TURN LIGHTS
T	TRAVEL DOORS
U	HOOD MTD HEADLIGHTS / MARKER LIGHTS
V	SLEEPER ROOF / BACK PANEL WIRING
W	WARDROBE CABINET WIRING

CHK	DATE	CHANGE	REV	REFERENCE	DRAWN	NAME
					23132818	CIRCUIT DIAGRAM, M-PVT-SS
MJV04	08JUL16	INITIAL RELEASE.	A	93368U		
					RELEASE NO.	DATE
					93368U	18JAN16
					PART NO.	SHEET
					AE08082613	006

Figure 6 Circuit Number Identification and Color (Cont.)

2.7. LAMP BULB CHART, P. 7

NAVISTAR, INC				ELECTRICAL CIRCUIT DIAGRAM		CHAPTER 2	
THIS PRINT IS PROVIDED ON A RESTRICTED BASIS AND IS NOT TO BE USED IN ANY WAY DETRIMENTAL TO THE INTEREST OF NAVISTAR, INC.				LAMP BULB CHART			
BULB APPLICATION				CANDLE POWER OR WATT		BULB TRADE NUMBER	
BACK-UP LIGHT				32 CP			GE1156
CLEARANCE & IDENTIFICATION				3 CP			GE168
COURTESY LIGHT				21 CP			1142
DOVE LIGHTS				21 CP			1142
FOG LIGHT				100 WATT			4921-1
LOW BEAMS				55 WATT			GE9007
HIGH BEAMS				65 WATT			GE9007
CIGAR LIGHTER				1 CP			1455
GAUGE BACKLIGHT				2 CP			194
GAUGE WARNING LED (RED)				2 CP			194
COLD AMBIENT PROTECTION LED (RED)				2 CP			194
FUEL FILTER LED (YELLOW)				2 CP			194
WARN ENGINE LED (YELLOW)				2 CP			194
STOP ENGINE LED (RED)				2 CP			194
BRAKE PRESSURE LED				2 CP			194
CHECK TRANSMISSION LED				2 CP			194
TRAILER ABS LED				2 CP			194
LEFT TURN SIGNAL LED (GREEN)				2 CP			194
TRACTION CONTROL LED (GREEN)				2 CP			194
WATER IN FUEL LED (YELLOW)				2 CP			194
PARK FLUID LED (RED)				2 CP			194
CHECK ELECTRICAL SYSTEM LED (YELLOW)				2 CP			194
PARK BRAKE LED (RED)				2 CP			194
CRUISE CONTROL ACTIVE LED (YELLOW)				2 CP			194
ANTILOCK BRAKING SYSTEM LED (YELLOW)				2 CP			194
RIGHT TURN LED (GREEN)				2 CP			194
COOLANT LEVEL LED (RED)				2 CP			194
SEAT BELT LED (RED)				2 CP			194
HIGH BEAM ICON LED (BLUE)				2 CP			194
CHECK AIR CONDITIONER LED (YELLOW)				2 CP			828272109-4
MAP LIGHT				3 CP			1816
SIDE MARKER				-			2548
STOP & TURN/TAIL & LICENSE PLATE				32/3 CP			3157
TURN SIGNAL/MARKER (FENDER)				32/3 CP			3157
TURN SIGNAL & MARKER LIGHT				-			2356
WORK (TRAILER HOOK)				35 WATT			4411
BACK-UP LIGHTS-UPPER AND LOWER BUNK READING LIGHT				15 CP			1003
CABINET / WARDROBE LIGHT				5 WATT			7575
UNDER BUNK LIGHT				21 CP / 2 (12CP)			577 / 211
ACCENT LIGHT				2 (12CP)			211
DOVE LIGHT				15 WATT			F1578-CW
SLEEPER FLOOR LIGHT				4 CP			W5W
HEATER AND AIR CONDITIONER CONTROL				3 CP			168
LUGGAGE COMPARTMENT LIGHT				6 CP			99
READING LIGHT				15 CP			1003

CHK	DATE	CHANGE	REV	REFERENCE	DRAWN	NAME
MJV04	8/16/16	INITIAL RELEASE.	A	93368U	23132818	CIRCUIT DIAGRAM, M-PVT-SS
					RELEASE NO.	DATE
					93368U	18JAN16
						PART NO.
						AE08082613
						SHEET
						007

Figure 7 Lamp Bulb Chart

2.8. RELAY FUNCTION AND WIRING GUIDE, P. 8

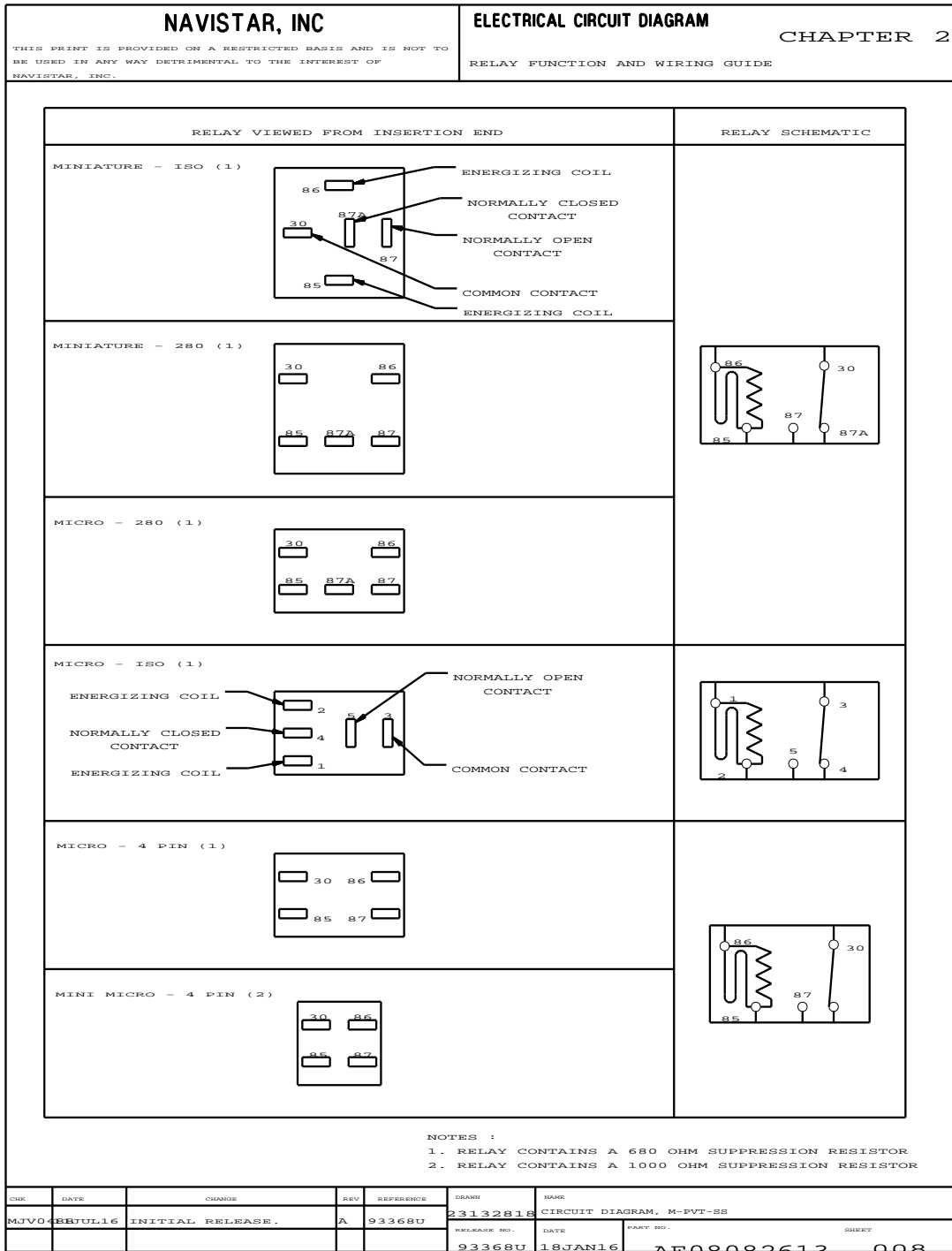


Figure 8 Relay Function and Wiring Guide

2.9. SCHEMATIC SYMBOL CHART, P. 9

NAVISTAR, INC				ELECTRICAL CIRCUIT DIAGRAM			
THIS PRINT IS PROVIDED ON A RESTRICTED BASIS AND IS NOT TO BE USED IN ANY WAY DETRIMENTAL TO THE INTEREST OF NAVISTAR, INC.				CHAPTER 2 SCHEMATIC SYMBOL CHART			
SYMBOL		DESCRIPTION		SYMBOL		DESCRIPTION	
		AIR DRYER				CIGAR LIGHTER	
		ALARM		TYPE 1 TYPE 2 OR 3 		CIRCUIT BREAKER	
		ALTERNATOR				DIODE	
		AMMETER				DIODE, LIGHT EMITTING	
		BATTERY				FAN SOLENOID	
		BLUNT CUT CIRCUIT				FEMALE TERMINAL	
		BUSBAR				FUSE	
CHK	DATE	CHANGE	REV	REFERENCE	DRAWN	NAME	
MJV04	08JUL16	INITIAL RELEASE.	A	93368U	23132818	CIRCUIT DIAGRAM, M-PVT-SS	
					RELEASE NO.	DATE	PART NO.
					93368U	18JAN16	AE08082613 009

Figure 9 Schematic Symbol Chart

2.10. SCHEMATIC SYMBOL CHART (CONT.), P. 10

NAVISTAR, INC				ELECTRICAL CIRCUIT DIAGRAM				CHAPTER 2			
THIS PRINT IS PROVIDED ON A RESTRICTED BASIS AND IS NOT TO BE USED IN ANY WAY DETRIMENTAL TO THE INTEREST OF NAVISTAR, INC.				SCHEMATIC SYMBOL CHART (CONT)							
SYMBOL		DESCRIPTION		SYMBOL		DESCRIPTION		SYMBOL		DESCRIPTION	
		FUSES W/ BUSBAR				FUSIBLE LINK				HORN	
		GROUND N/ STUD				GROUND W/ STUD				KEY SWITCH	
		HEATER				KEY SWITCH, COMPLEX				LIGHT W/ SWITCH	
		HOLDER, FUSE W/ BUSBAR				LIGHT, DOUBLE FILAMENT				LIGHT, SINGLE FILAMENT	
CHK	DATE	CHANGE	REV	REFERENCE	DRAWN	NAME					
MJV04	08JUL16	INITIAL RELEASE.	A	93368U	23132818	CIRCUIT DIAGRAM, M-PVT-SS					
					RELEASE NO.	DATE	PART NO.	SHEET			
					93368U	18JAN16	AE08082613	010			

Figure 10 Schematic Symbol Chart (Cont.)

2.11. SCHEMATIC SYMBOL CHART (CONT.), P. 11



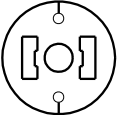
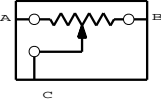

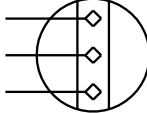
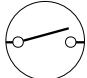
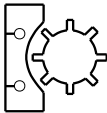
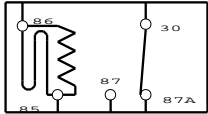
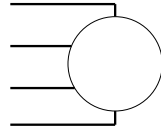
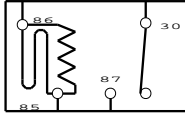
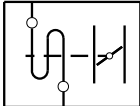
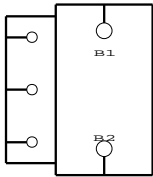
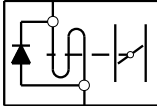
NAVISTAR, INC				ELECTRICAL CIRCUIT DIAGRAM		CHAPTER 2	
THIS PRINT IS PROVIDED ON A RESTRICTED BASIS AND IS NOT TO BE USED IN ANY WAY DETRIMENTAL TO THE INTEREST OF NAVISTAR, INC.				SCHEMATIC SYMBOL CHART (CONT)			
SYMBOL				SYMBOL			
	DESCRIPTION				DESCRIPTION		
	MALE TERMINAL				RESISTOR		
	DESCRIPTION				DESCRIPTION		
	MOTOR				SENDER - FUEL, OIL, TEMP, WATER		
	DESCRIPTION				DESCRIPTION		
	PASS THRU CONNECTION				SENSOR, PRESSURE. ABS 6		
	DESCRIPTION				DESCRIPTION		
	PRESSURE SWITCH				SENSOR, MAGNETIC		
	DESCRIPTION				DESCRIPTION		
	RELAY, FIVE TERMINAL				SENSOR, YAW		
	DESCRIPTION				DESCRIPTION		
	RELAY, FOUR TERMINAL				SOLENOID		
	DESCRIPTION				DESCRIPTION		
	RELAY, LATCHING				SOLENOID W/ DIODE		
CHK	DATE	CHANGE	REV	REFERENCE	DRAWN	NAME	
MJVD	08JUL16	INITIAL RELEASE.	A	93368U	23132818	CIRCUIT DIAGRAM, M-PVT-SS	
					RELEASE NO.	DATE	PART NO.
					93368U	18JAN16	AE08082613
							011

Figure 11 Schematic Symbol Chart (Cont.)

2.12. SCHEMATIC SYMBOL CHART (CONT.), P. 12

NAVISTAR, INC				ELECTRICAL CIRCUIT DIAGRAM			
THIS PRINT IS PROVIDED ON A RESTRICTED BASIS AND IS NOT TO BE USED IN ANY WAY DETRIMENTAL TO THE INTEREST OF NAVISTAR, INC.				CHAPTER 2 SCHEMATIC SYMBOL CHART (CONT)			
SYMBOL		DESCRIPTION		SYMBOL		DESCRIPTION	
		SPEAKER				SWITCH, PUSH BUTTON	
		SPLICE				TERMINATING RESISTOR	
		STUD				THERMOSTAT	
		START MOTOR W/ TOCP				VALVE, ETHER BOTTLE	
		SWITCH, MECHANICAL (NORMALLY OPEN)				VALVE, MODULATOR	
		SWITCH, MECHANICAL (NORMALLY CLOSED)				THERMISTOR	
CHK	DATE	CHANGE	REV	REFERENCE	DRAWN	NAME	
MJVD	18JAN16	INITIAL RELEASE.	A	93368U	23132818	CIRCUIT DIAGRAM, M-PVT-SS	
					RELEASE NO.	DATE	PART NO.
					93368U	18JAN16	AE08082613
							SHEET
							012

Figure 12 Schematic Symbol Chart (Cont.)

2.13. SWITCHES AND PRODUCT GRAPHIC INFORMATION, P. 13

NAVISTAR, INC				ELECTRICAL CIRCUIT DIAGRAM		CHAPTER 2	
THIS PRINT IS PROVIDED ON A RESTRICTED BASIS AND IS NOT TO BE USED IN ANY WAY DETRIMENTAL TO THE INTEREST OF NAVISTAR, INC.				SWITCHES AND PRODUCT GRAPHIC INFORMATION			
ITEM NO.	DESCRIPTION	FEATURE PART NUMBER	INTERNATIONAL PART NUMBER	EATON PART NUMBER			
1	SWITCH, MASTER LIGHT, BRIGHT LED	4067639F93 4067640F93	4096035C1	8971K2006			
2	SWITCH, WORK LIGHT, BRIGHT LED	4067640F93	4096036C1	8971K2008			
3	SWITCH, DOME LIGHT, BRIGHT LED	RESERVED	4096037C1	8971K2010			
4	SWITCH, HAZARD LIGHT, BRIGHT LED	4067642F94	4096040C1	8971K2012			
5	SWITCH, MIRROR HEAT, BRIGHT LED	4067641F96 4087721F92	4096041C1	8971K2014			
6	SWITCH, CRUISE ON/OFF, BRIGHT LED	4067642F94	4096042C1	8971K2016			
7	SWITCH, CRUISE SET/RESUME, BRIGHT LED	4067642F94	4096044C1	8971K2018			
8	SWITCH, INHIBIT REGEN, 2 POSITION, BRIGHT LED	4067644F94	4096045C1	8971K2020			
9	SWITCH, PARKED REGEN, BRIGHT LED	4067641F96 4071688F96 4087721F92 4087722F92	4096046C1	8971K2022			
10	SWITCH, INHIBIT REGEN, 3 POSITION, BRIGHT LED	4067645F95	4096047C1	8971K2024			
11	SWITCH, FOG LIGHTS, BRIGHT LED	4067646F93	4096048C1	8971K2026			
11	SWITCH, FOG LIGHTS, BRIGHT LED	4067646F93	4096048C1	8971K2026			
12	SWITCH, BRACON LIGHT, BRIGHT LED	4067648F93	4096049C1	8971K2028			
12	SWITCH, BRACON LIGHT, BRIGHT LED	4067648F93	4096049C1	8971K2028			
13	SWITCH, TRACTION CONTROL/OFF ROAD, BRIGHT LED	4067649F94	4096051C1	8971K2030			
13	SWITCH, TRACTION CONTROL/OFF ROAD, BRIGHT LED	4067649F94	4096051C1	8971K2030			
14	SWITCH, FAN OVERRIDE, BRIGHT LED	4067650F93	4096052C1	8971K2032			
14	SWITCH, FAN OVERRIDE, BRIGHT LED	4067650F93	4096052C1	8971K2032			
15	SWITCH, RETARDER ON/OFF, BRIGHT LED	4067651F94	4096053C1	8971K2034			
16	SWITCH, RETARDER HI/LOW, 2 POSITION, BRIGHT LED	4067651F94	4096055C1	8971K2036			
17	SWITCH, PANEL LIGHT DIMMER, BRIGHT LED	4067639F92 4067640F92	4096056C1	8971K2038			
18	SWITCH, LIFT AXLE ON/OFF, BRIGHT LED	4067654F96 4067655F96 4067657F96	4096057C1	8971K2040			
19	SWITCH, LIFT AXLE UP/DOWN, BRIGHT LED	4067654F96	4096060C1	8971K2042			
19A	SWITCH, LIFT AXLE 1 UP/DOWN, BRIGHT LED	4067655F96 4067657F96	4096061C1	8971K2044			
19A	SWITCH, LIFT AXLE 1 UP/DOWN, BRIGHT LED	4067655F96 4067657F96	4096061C1	8971K2044			
20	SWITCH, LIFT AXLE 2 UP/DOWN, BRIGHT LED	4067655F96 4067657F96	4096062C1	8971K2046			
20	SWITCH, LIFT AXLE 2 UP/DOWN, BRIGHT LED	4067655F96 4067657F96	4096062C1	8971K2046			
21	SWITCH, LIFT AXLE 3 UP/DOWN, BRIGHT LED	4067657F96	4096063C1	8971K2048			
22	SWITCH, PTO 1, BRIGHT LED	RESERVED	4096064C1	8971K2050			
22A	SWITCH, PTO 2, BRIGHT LED	RESERVED	4096065C1	8971K2052			
23	SWITCH, ENGINE BRAKE ON/OFF, BRIGHT LED	4067662F93	4096066C1	8971K2054			
24	SWITCH, ENGINE BRAKE SELECTOR, BRIGHT LED	4067662F93	4096067C1	8971K2056			
25	SWITCH, 2 SPEED AXLE HI/LOW, BRIGHT LED	4067664F93	4096068C1	8971K2058			
26	SWITCH, DIFF LOCK, BRIGHT LED	4067665F94	4096069C1	8971K2060			
27	SWITCH, MARKER LIGHT INTERRUPT, BRIGHT LED	4067666F93	4096070C1	8971K2062			

CHK	DATE	CHANGE	REV	REFERENCE	DRAWN	DATE	ISSUE	REVISION
MJV04	18APR18	REVISED AND REDRAWN.	B	94380Z	23132818	18JAN16	CIRCUIT DIAGRAM, M-PVT-SS	013
					93368U	18JAN16	AE08082613	013

Figure 13 Switches and Product Graphic Information

2.14. SWITCHES AND PRODUCT GRAPHIC INFORMATION (CONT.), P. 13A

NAVISTAR, INC				ELECTRICAL CIRCUIT DIAGRAM		CHAPTER 2	
THIS PRINT IS PROVIDED ON A RESTRICTED BASIS AND IS NOT TO BE USED IN ANY WAY DETRIMENTAL TO THE INTEREST OF NAVISTAR, INC.				SWITCHES AND PRODUCT GRAPHIC INFORMATION (CONT)			
ITEM NO.	DESCRIPTION	FEATURE PART NUMBER	INTERNATIONAL PART NUMBER	EATON PART NUMBER			
28	SWITCH, HILL START ASSIST, BRIGHT LED	4067667F94	4096071C1	8971K2064			
28	SWITCH, HILL START ASSIST, BRIGHT LED	4067667F94	4096071C1	8971K2064			
29	SWITCH, SPARE 1, BRIGHT LED	4067668F93 4067669F93 4067670F93	4096262C1	8971K2066			
30	SWITCH, SPARE 2, BRIGHT LED	4067668F93 4067669F93 4067670F93	4096072C1	8971K2068			
31	SWITCH, SPARE 3, BRIGHT LED	4067669F93 4067670F93	4096073C1	8971K2070			
32	SWITCH, SPARE 4, BRIGHT LED	4067669F93 4067670F93	4096074C1	8971K2072			
33	SWITCH, SPARE 5, BRIGHT LED	4067670F93	4096075C1	8971K2074			
34	SWITCH, SPARE 6, BRIGHT LED	4067670F93	4096076C1	8971K2076			
35	SWITCH, RETARDER HI/LOW, 3 POSITION, BRIGHT LED	RESERVED	4096077C1	8971K2078			
36	SWITCH, TRAILER AUX SOCKET POWER, BRIGHT LED	4067671F93	4096078C1	8971K2080			
37	SWITCH, AUXILIARY LIGHTS, BRIGHT LED	4067672F93	4096079C1	8971K2082			
37	SWITCH, AUXILIARY LIGHTS, BRIGHT LED	4067672F93	4096079C1	8971K2082			
38	SWITCH, EXTERIOR LAMPS CHECK, BRIGHT LED	4087721F92 4087722F92	4096080C1	8971K2084			
39	SWITCH, SLEEPER DOME, BRIGHT LED	4098210F91	4097145C1	8971K2090			
40	SWITCH, LANE DEPARTURE, BRIGHT LED	4112298F91	4111999C1	8971K1998			
40	SWITCH, LANE DEPARTURE, BRIGHT LED	4112298F91	4111999C1	8971K1998			
41	ROLLTEK INDICATOR, BRIGHT LED	4115184F91	4110673C1	8971L2113			
41	ROLLTEK INDICATOR, BRIGHT LED	4115184F91	4110673C1	8971L2113			
42	SWITCH, ALLISON PTO, BRIGHT LED	4114957F91	4108626C1	8971K2111			
42	SWITCH, ALLISON PTO, BRIGHT LED	4114957F91	4108626C1	8971K2111			

CHK	DATE	CHANGE	REV	REFERENCE	DRAWN	NAME
	03APR18	INITIAL RELEASE.	A	94380Z	23096750	CIRCUIT DIAGRAM, M-PVT-SS
					RELEASE NO.	DATE
					94380Z	18JAN18
					PART NO.	SHEET
					AE08082613	13A

Figure 14 Switches and Product Graphic Information (Cont.)

2.15. PRODUCT GRAPHIC, FUSE PANEL, UPPER (4072718C7), P. 14

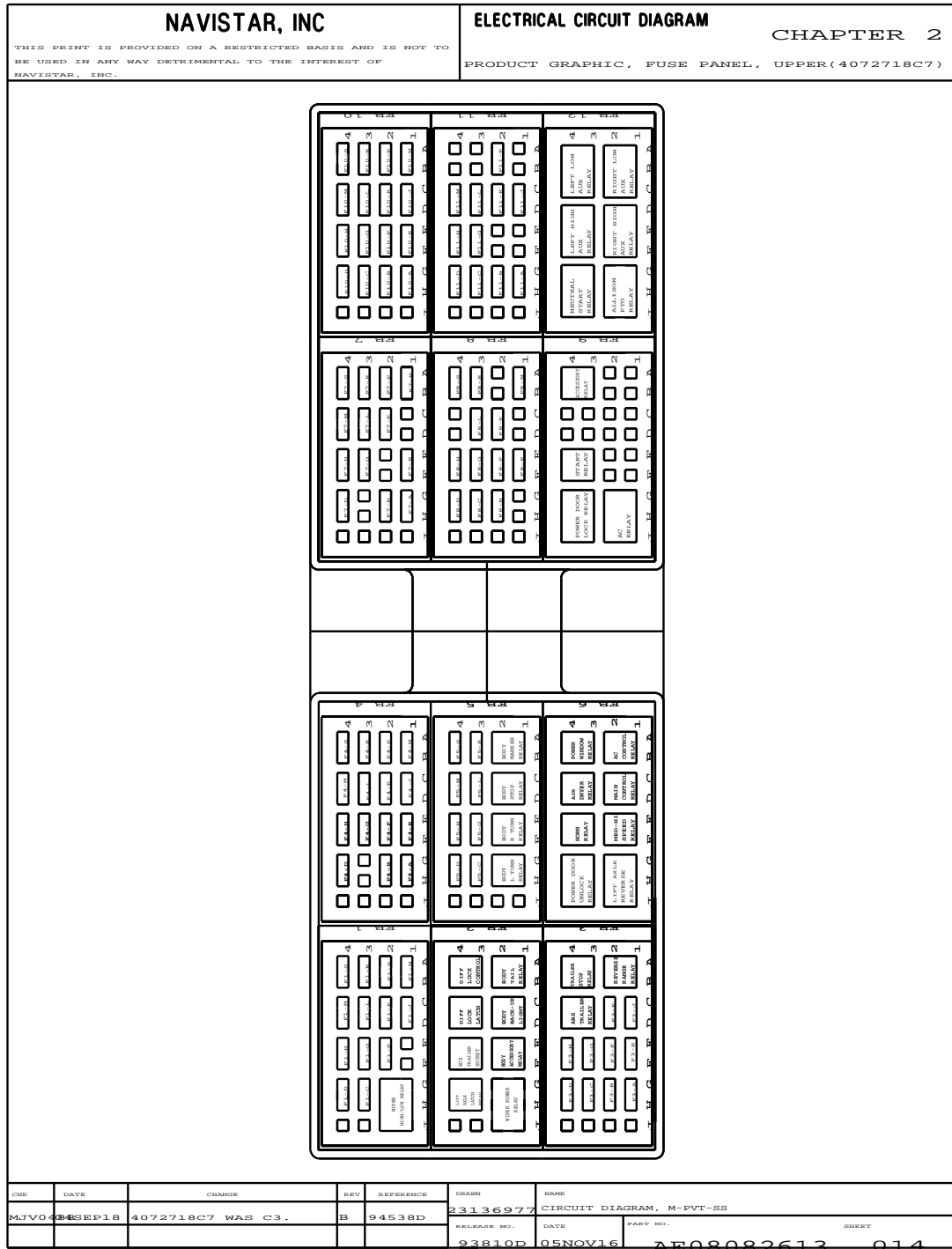


Figure 15 Product Graphic, Fuse Panel, Upper (4072718C7)

2.16. PRODUCT GRAPHIC, FUSE PANEL, LOWER (4123214C1), P. 15

NAVISTAR, INC				ELECTRICAL CIRCUIT DIAGRAM			
THIS PRINT IS PROVIDED ON A RESTRICTED BASIS AND IS NOT TO BE USED IN ANY WAY DETRIMENTAL TO THE INTEREST OF NAVISTAR, INC.				CHAPTER 2			
				PRODUCT GRAPHIC, FUSE PANEL, LOWER (4123214C1)			
REV	DATE	CHANGE	REV	REFERENCE	DRAWN	NAME	
4	09/18/18	4123214C1 WAS	B	94538D	23136977	CIRCUIT DIAGRAM, M-DVT-SS	
3	07/19/18				93810P	07NOV16	PART NO. SHEET
				AE08082613 015			

REV	DATE	DESCRIPTION	REV	DATE	DESCRIPTION
P1-C	08/08/18	REVISED	15	08/08/18	REVISED
P1-D	08/08/18	REVISED	16	08/08/18	REVISED
P1-E	08/08/18	REVISED	17	08/08/18	REVISED
P1-F	08/08/18	REVISED	18	08/08/18	REVISED
P1-G	08/08/18	REVISED	19	08/08/18	REVISED
P1-H	08/08/18	REVISED	20	08/08/18	REVISED
P1-I	08/08/18	REVISED	21	08/08/18	REVISED
P1-J	08/08/18	REVISED	22	08/08/18	REVISED
P1-K	08/08/18	REVISED	23	08/08/18	REVISED
P1-L	08/08/18	REVISED	24	08/08/18	REVISED
P1-M	08/08/18	REVISED	25	08/08/18	REVISED
P1-N	08/08/18	REVISED	26	08/08/18	REVISED
P1-O	08/08/18	REVISED	27	08/08/18	REVISED
P1-P	08/08/18	REVISED	28	08/08/18	REVISED
P1-Q	08/08/18	REVISED	29	08/08/18	REVISED
P1-R	08/08/18	REVISED	30	08/08/18	REVISED
P1-S	08/08/18	REVISED	31	08/08/18	REVISED
P1-T	08/08/18	REVISED	32	08/08/18	REVISED
P1-U	08/08/18	REVISED	33	08/08/18	REVISED
P1-V	08/08/18	REVISED	34	08/08/18	REVISED
P1-W	08/08/18	REVISED	35	08/08/18	REVISED
P1-X	08/08/18	REVISED	36	08/08/18	REVISED
P1-Y	08/08/18	REVISED	37	08/08/18	REVISED
P1-Z	08/08/18	REVISED	38	08/08/18	REVISED
P2-A	08/08/18	REVISED	39	08/08/18	REVISED
P2-B	08/08/18	REVISED	40	08/08/18	REVISED
P2-C	08/08/18	REVISED	41	08/08/18	REVISED
P2-D	08/08/18	REVISED	42	08/08/18	REVISED
P2-E	08/08/18	REVISED	43	08/08/18	REVISED
P2-F	08/08/18	REVISED	44	08/08/18	REVISED
P2-G	08/08/18	REVISED	45	08/08/18	REVISED
P2-H	08/08/18	REVISED	46	08/08/18	REVISED
P2-I	08/08/18	REVISED	47	08/08/18	REVISED
P2-J	08/08/18	REVISED	48	08/08/18	REVISED
P2-K	08/08/18	REVISED	49	08/08/18	REVISED
P2-L	08/08/18	REVISED	50	08/08/18	REVISED
P2-M	08/08/18	REVISED	51	08/08/18	REVISED
P2-N	08/08/18	REVISED	52	08/08/18	REVISED
P2-O	08/08/18	REVISED	53	08/08/18	REVISED
P2-P	08/08/18	REVISED	54	08/08/18	REVISED
P2-Q	08/08/18	REVISED	55	08/08/18	REVISED
P2-R	08/08/18	REVISED	56	08/08/18	REVISED
P2-S	08/08/18	REVISED	57	08/08/18	REVISED
P2-T	08/08/18	REVISED	58	08/08/18	REVISED
P2-U	08/08/18	REVISED	59	08/08/18	REVISED
P2-V	08/08/18	REVISED	60	08/08/18	REVISED
P2-W	08/08/18	REVISED	61	08/08/18	REVISED
P2-X	08/08/18	REVISED	62	08/08/18	REVISED
P2-Y	08/08/18	REVISED	63	08/08/18	REVISED
P2-Z	08/08/18	REVISED	64	08/08/18	REVISED
P3-A	08/08/18	REVISED	65	08/08/18	REVISED
P3-B	08/08/18	REVISED	66	08/08/18	REVISED
P3-C	08/08/18	REVISED	67	08/08/18	REVISED
P3-D	08/08/18	REVISED	68	08/08/18	REVISED
P3-E	08/08/18	REVISED	69	08/08/18	REVISED
P3-F	08/08/18	REVISED	70	08/08/18	REVISED
P3-G	08/08/18	REVISED	71	08/08/18	REVISED
P3-H	08/08/18	REVISED	72	08/08/18	REVISED
P3-I	08/08/18	REVISED	73	08/08/18	REVISED
P3-J	08/08/18	REVISED	74	08/08/18	REVISED
P3-K	08/08/18	REVISED	75	08/08/18	REVISED
P3-L	08/08/18	REVISED	76	08/08/18	REVISED
P3-M	08/08/18	REVISED	77	08/08/18	REVISED
P3-N	08/08/18	REVISED	78	08/08/18	REVISED
P3-O	08/08/18	REVISED	79	08/08/18	REVISED
P3-P	08/08/18	REVISED	80	08/08/18	REVISED
P3-Q	08/08/18	REVISED	81	08/08/18	REVISED
P3-R	08/08/18	REVISED	82	08/08/18	REVISED
P3-S	08/08/18	REVISED	83	08/08/18	REVISED
P3-T	08/08/18	REVISED	84	08/08/18	REVISED
P3-U	08/08/18	REVISED	85	08/08/18	REVISED
P3-V	08/08/18	REVISED	86	08/08/18	REVISED
P3-W	08/08/18	REVISED	87	08/08/18	REVISED
P3-X	08/08/18	REVISED	88	08/08/18	REVISED
P3-Y	08/08/18	REVISED	89	08/08/18	REVISED
P3-Z	08/08/18	REVISED	90	08/08/18	REVISED
P4-A	08/08/18	REVISED	91	08/08/18	REVISED
P4-B	08/08/18	REVISED	92	08/08/18	REVISED
P4-C	08/08/18	REVISED	93	08/08/18	REVISED
P4-D	08/08/18	REVISED	94	08/08/18	REVISED
P4-E	08/08/18	REVISED	95	08/08/18	REVISED
P4-F	08/08/18	REVISED	96	08/08/18	REVISED
P4-G	08/08/18	REVISED	97	08/08/18	REVISED
P4-H	08/08/18	REVISED	98	08/08/18	REVISED
P4-I	08/08/18	REVISED	99	08/08/18	REVISED
P4-J	08/08/18	REVISED	100	08/08/18	REVISED

Figure 16 Product Graphic, Fuse Panel, Lower (4123214C1)

2.17. PTO SWITCHES (3881412C1), P. 16

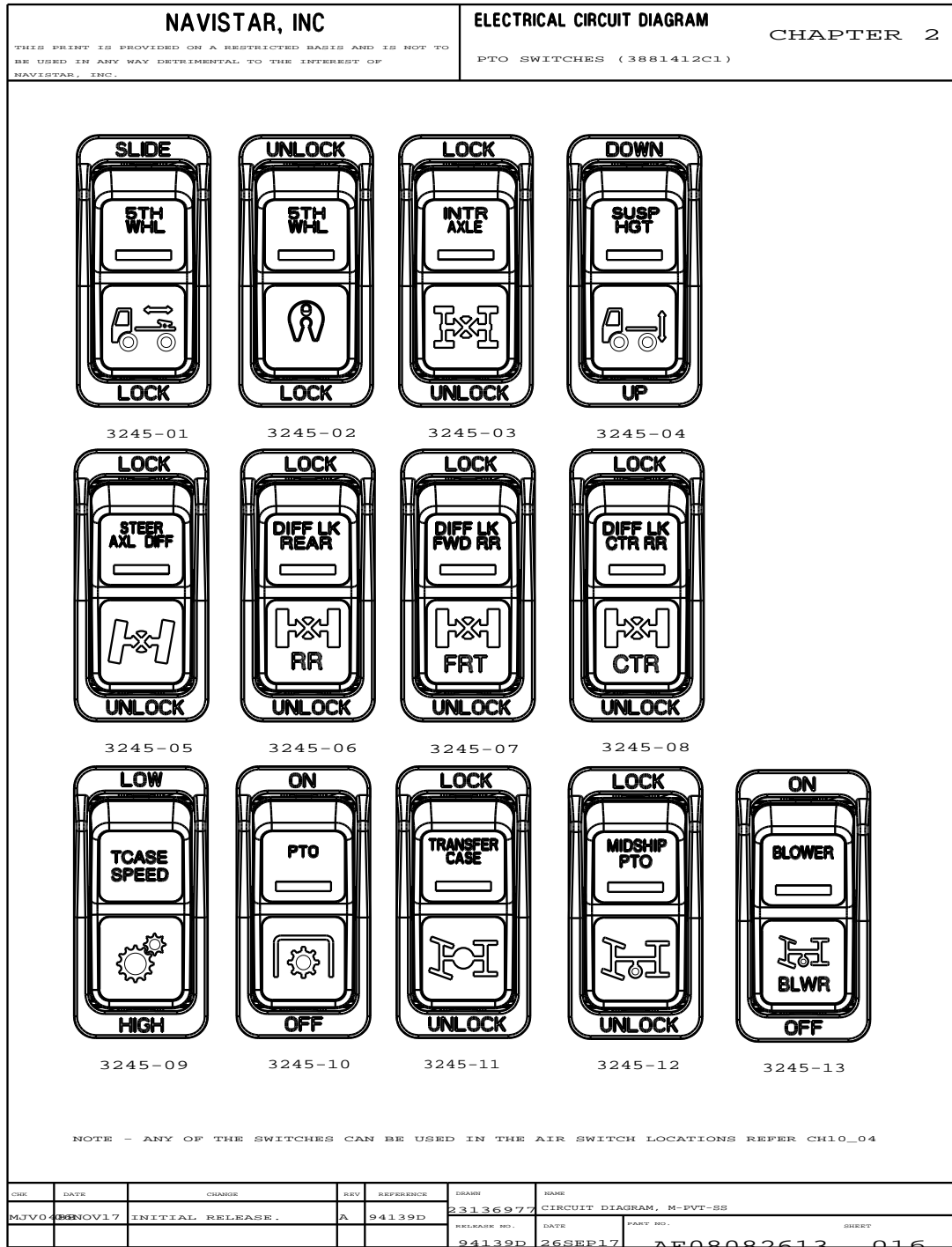


Figure 17 PTO Switches (3881412C1)

12 VOLT POWER DISTRIBUTION (CHAPTER 3)

3.1. BATTERY FEED, P. 1

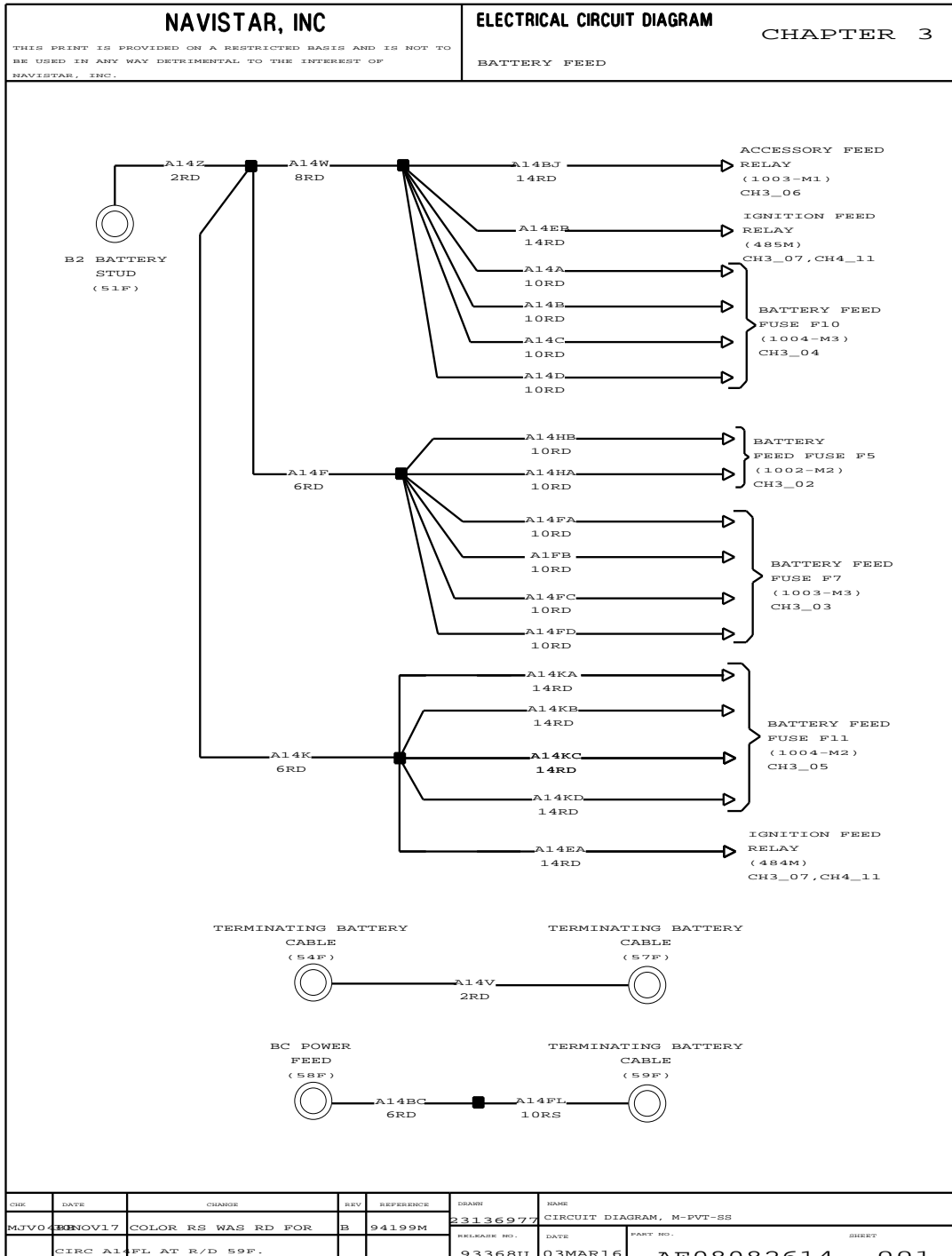


Figure 18 Battery Feed

3.2. BATTERY FEED (CONT.), P. 2

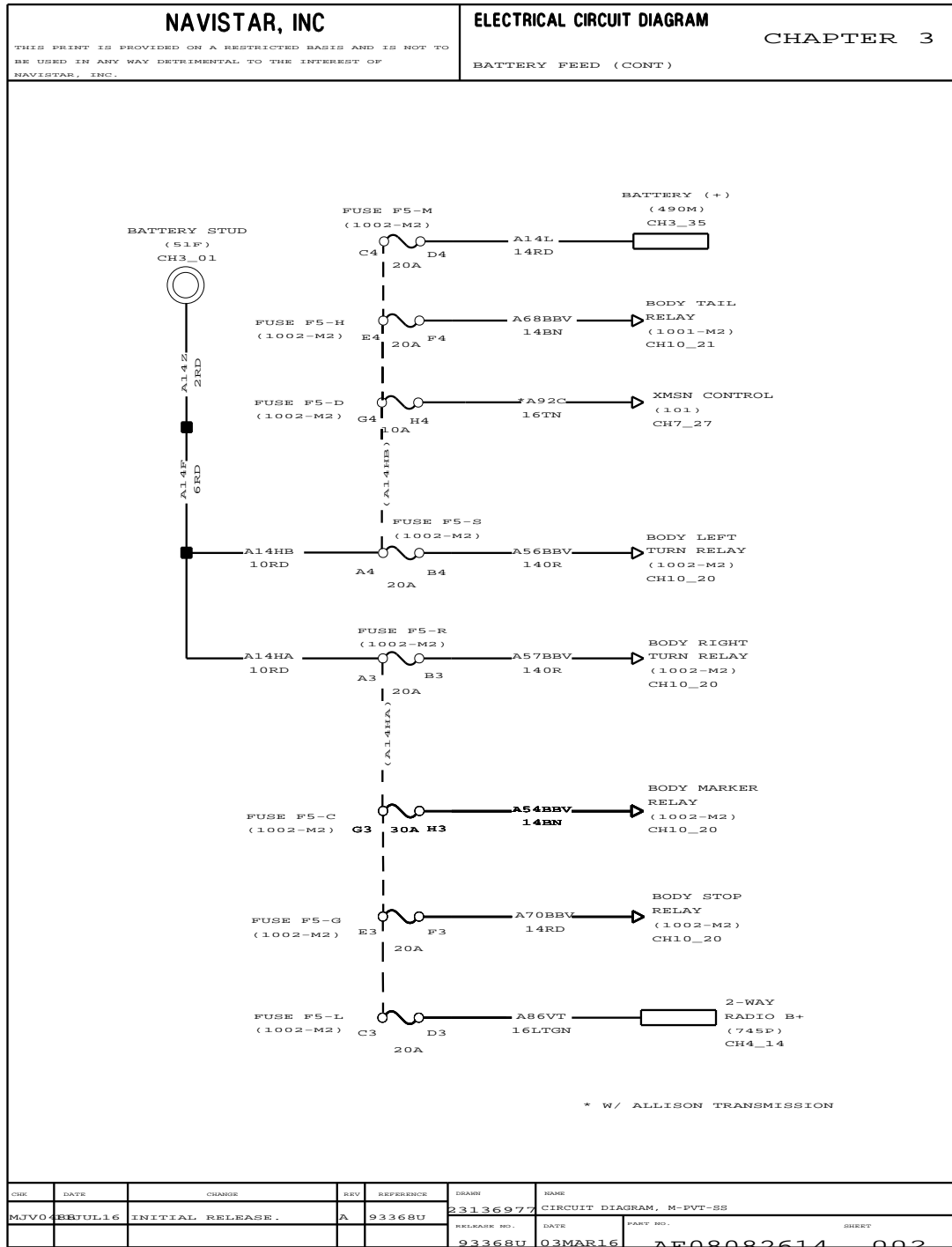


Figure 19 Battery Feed (Cont.)

3.3. BATTERY FEED (CONT.), P. 3

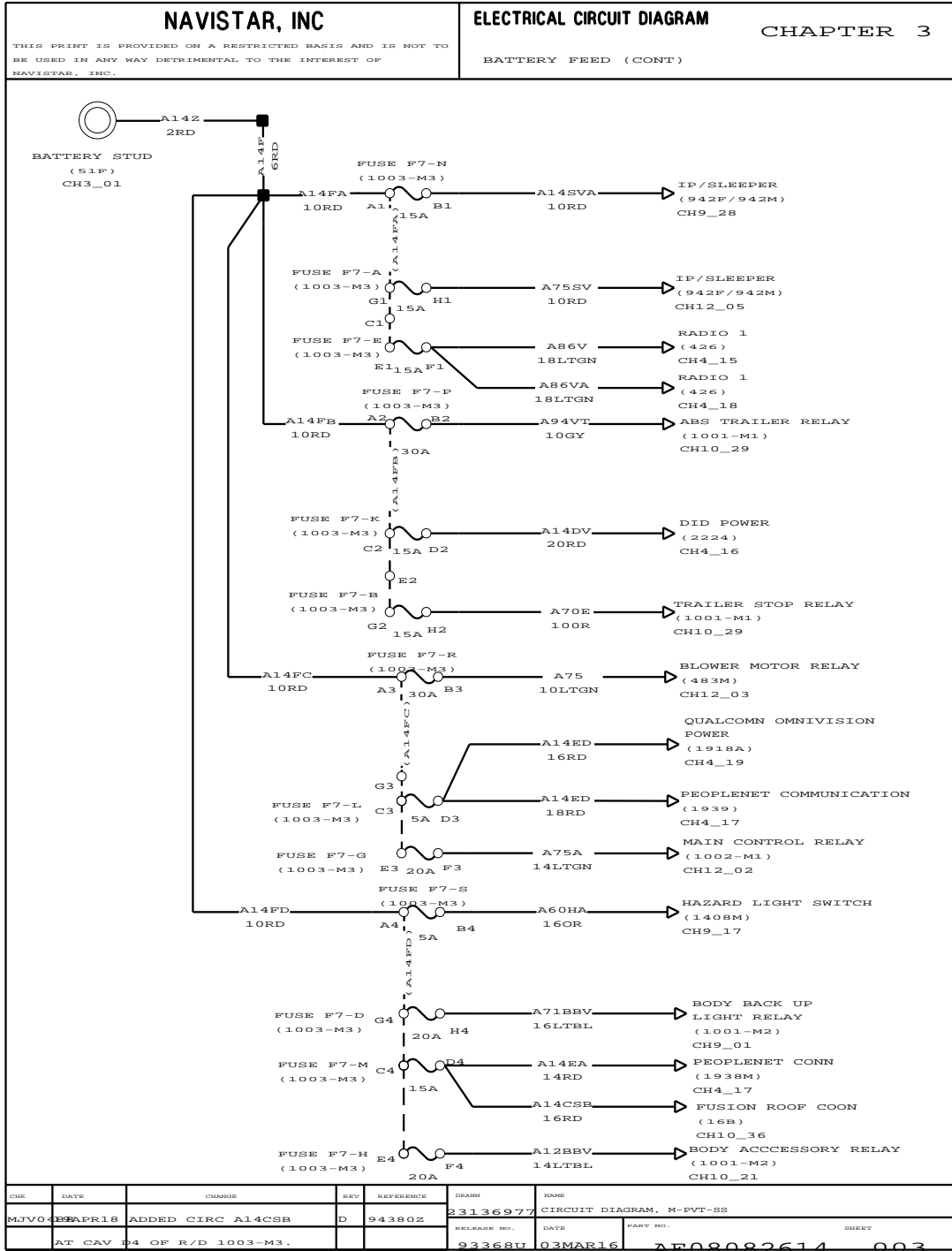


Figure 20 Battery Feed (Cont.)

3.4. BATTERY FEED (CONT.), P. 4

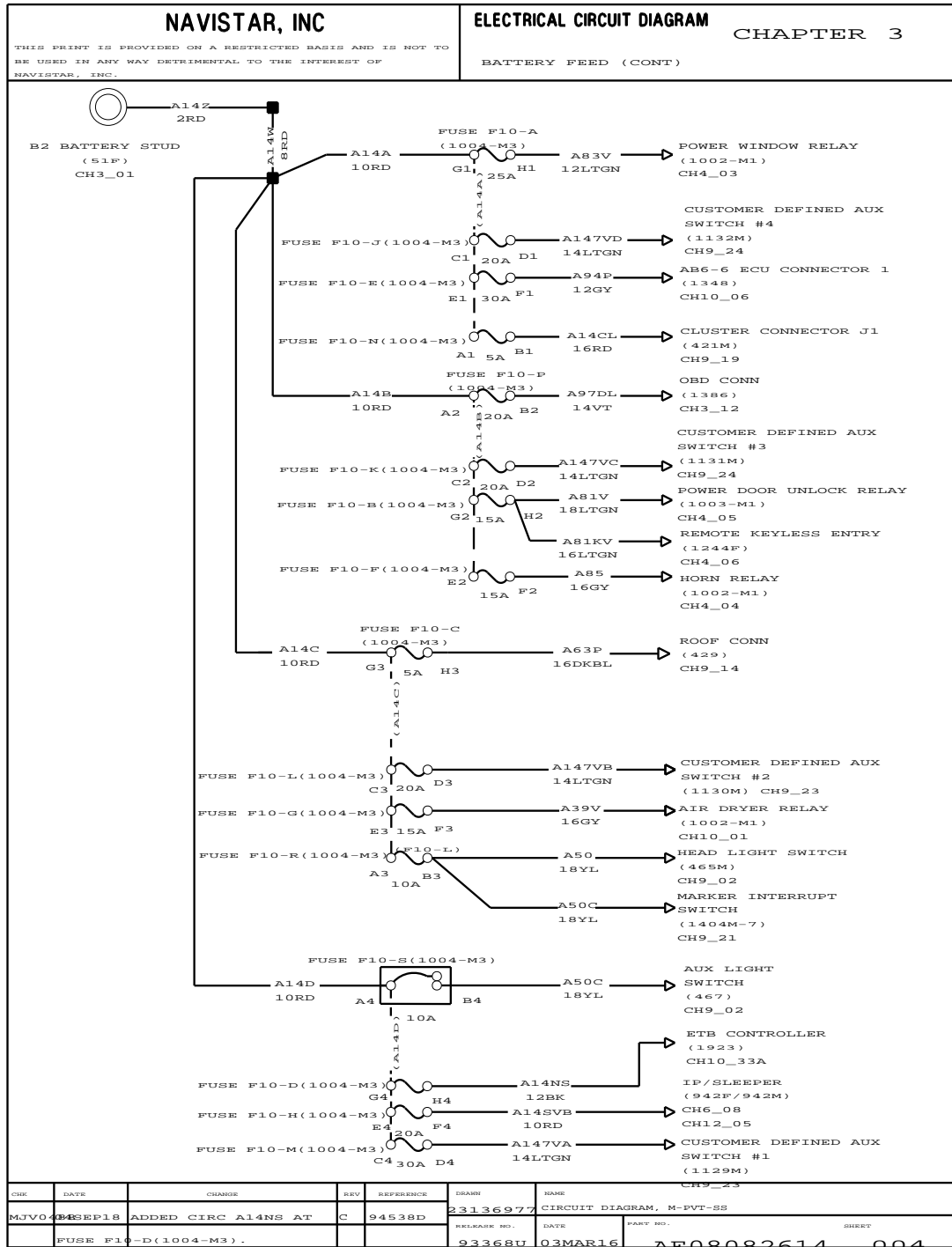


Figure 21 Battery Feed (Cont.)

3.5. BATTERY FEED (CONT.), P. 5

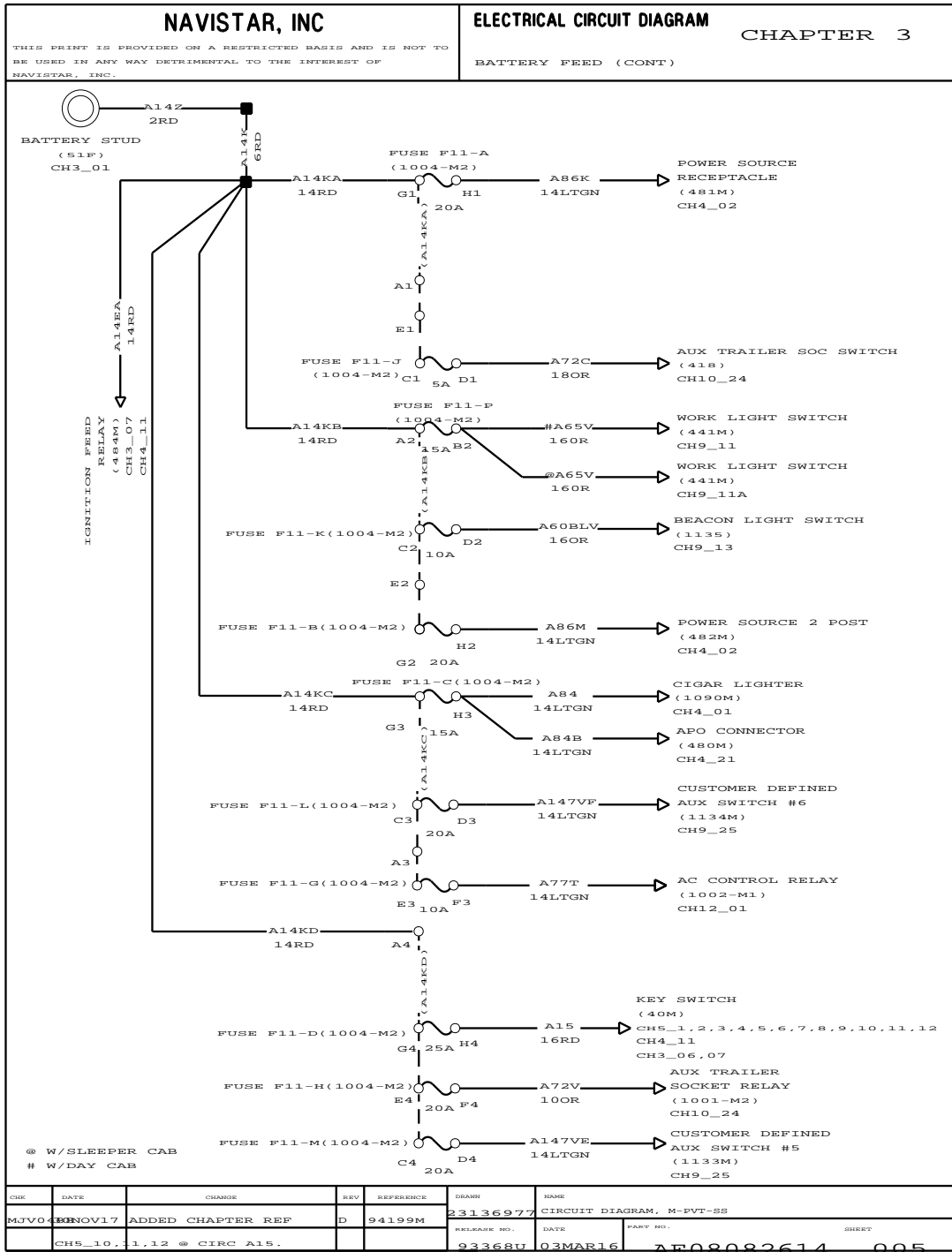


Figure 22 Battery Feed (Cont.)

3.6. ACCESSORY FEED, P. 6

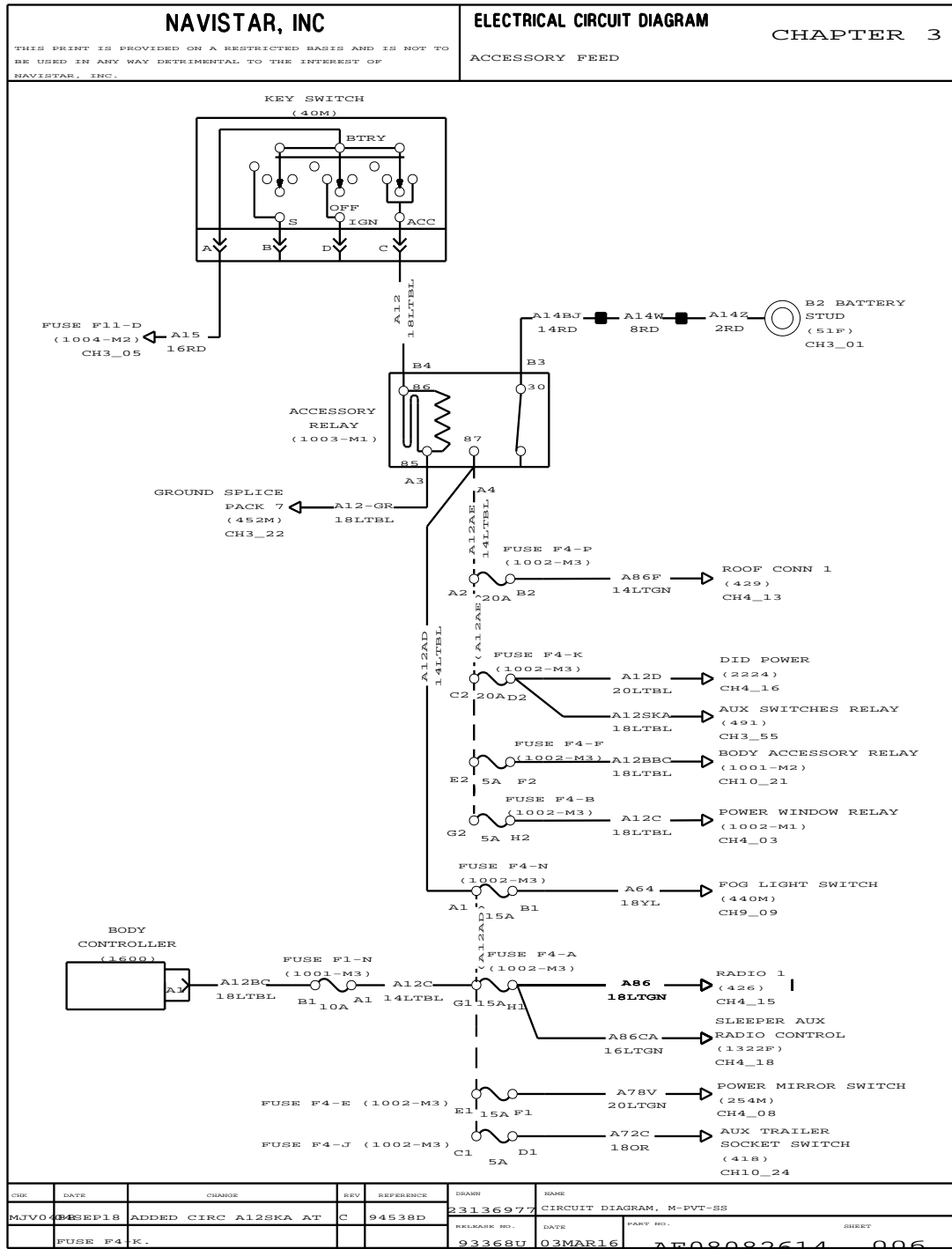


Figure 23 Accessory Feed

3.7. IGNITION FEED, P. 7

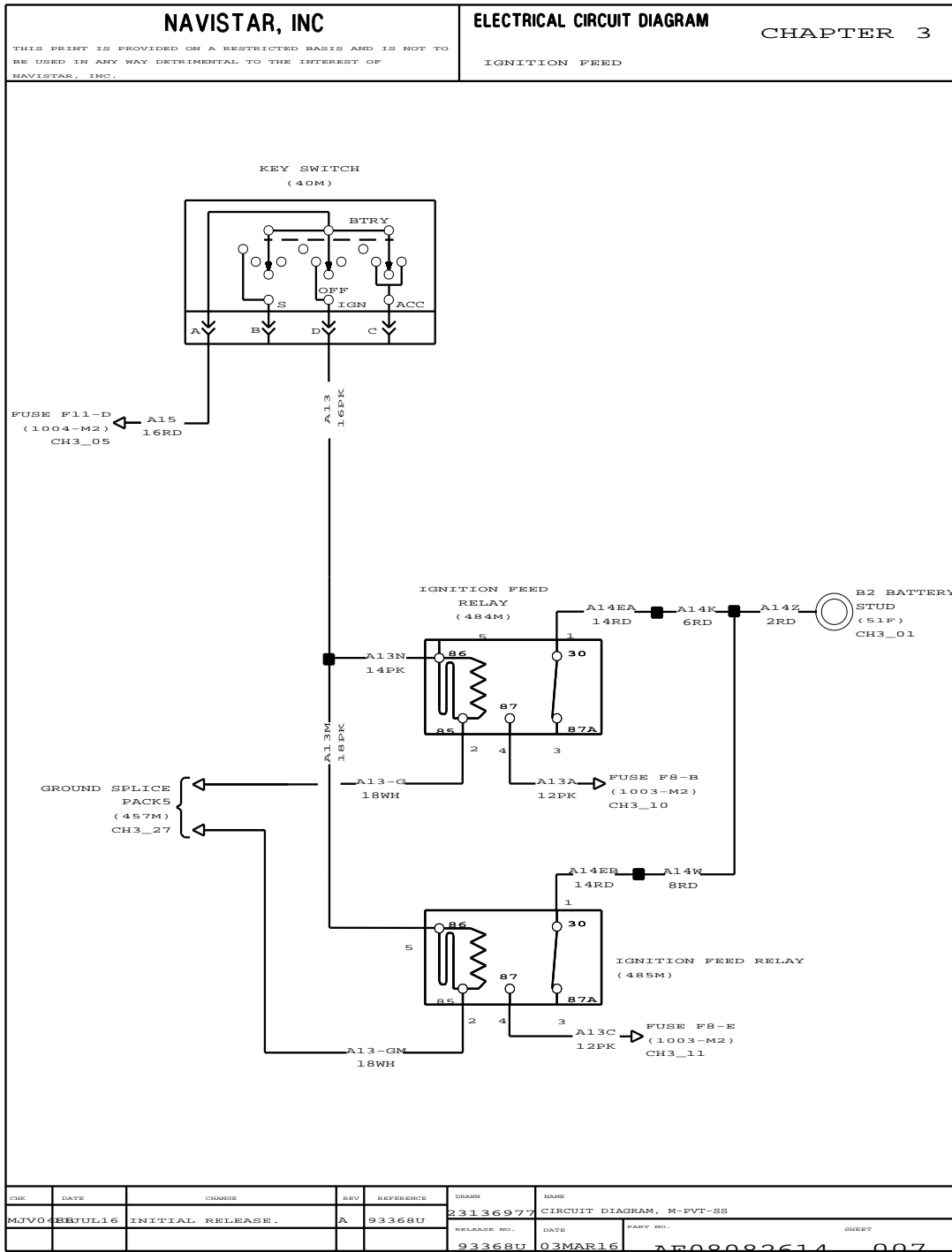


Figure 24 Ignition Feed

3.8. IGNITION FEED (CONT.), P. 8

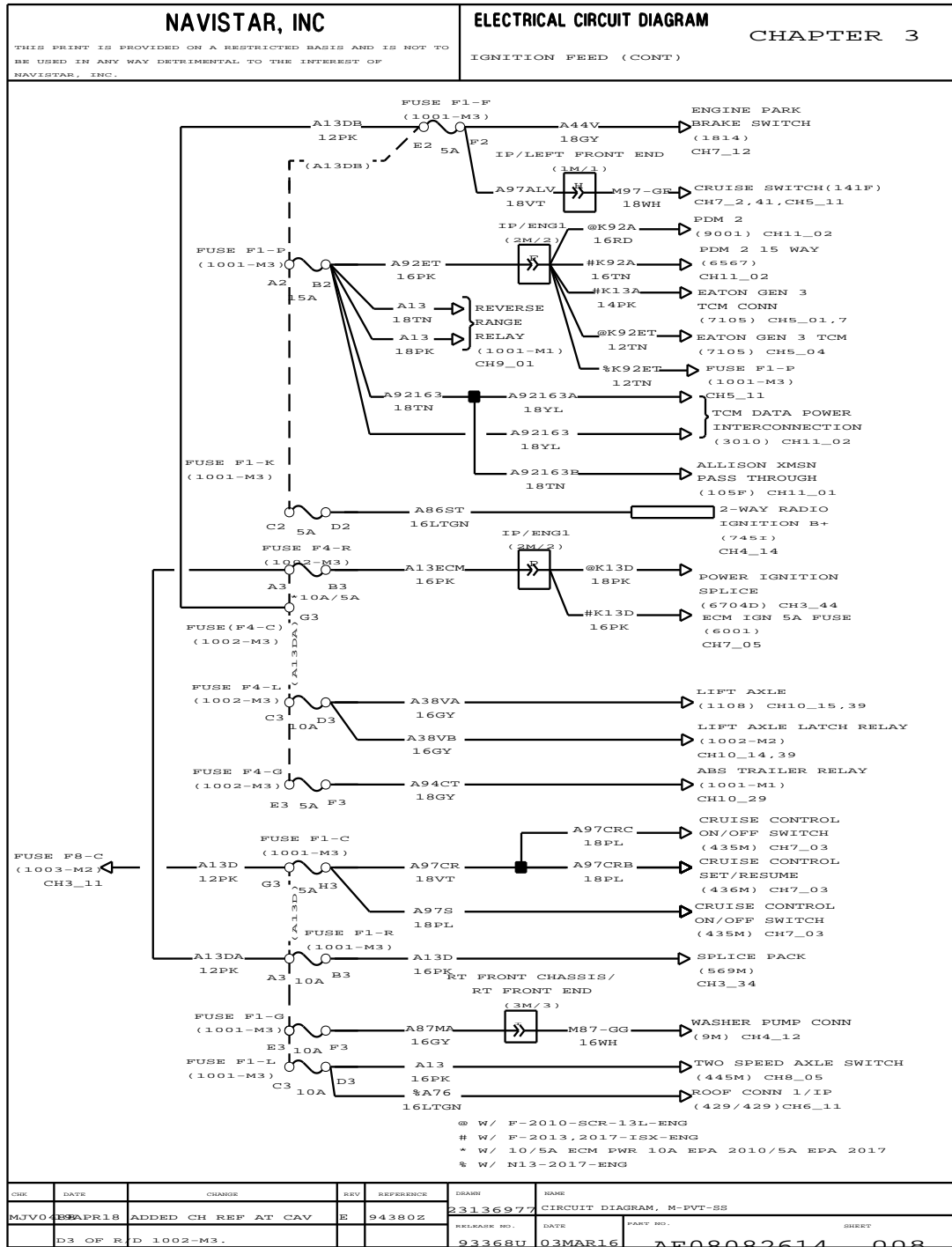


Figure 25 Ignition Feed (Cont.)

3.9. IGNITION FEED (CONT.), P. 9

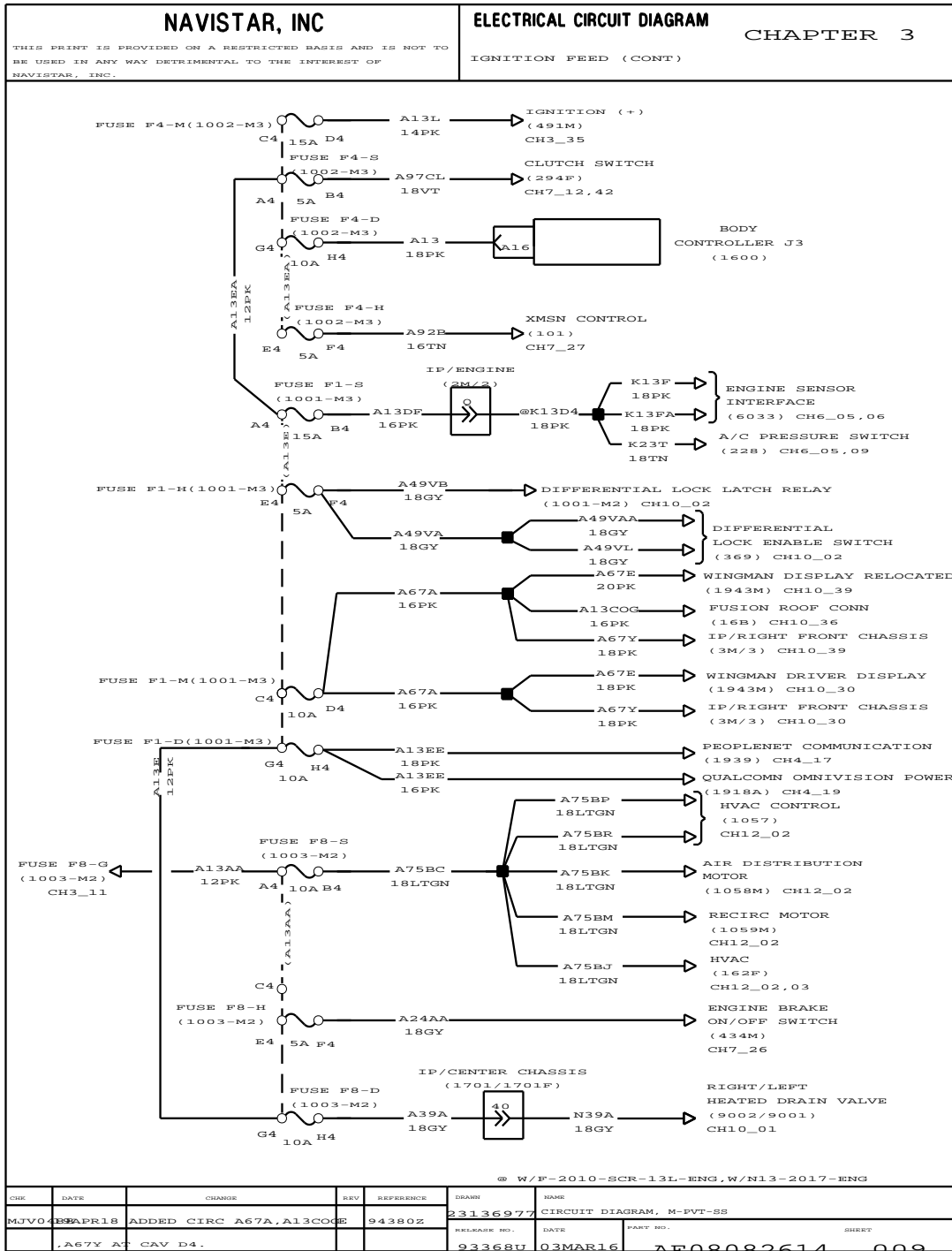


Figure 26 Ignition Feed (Cont.)

3.10. IGNITION FEED (CONT.), P. 10

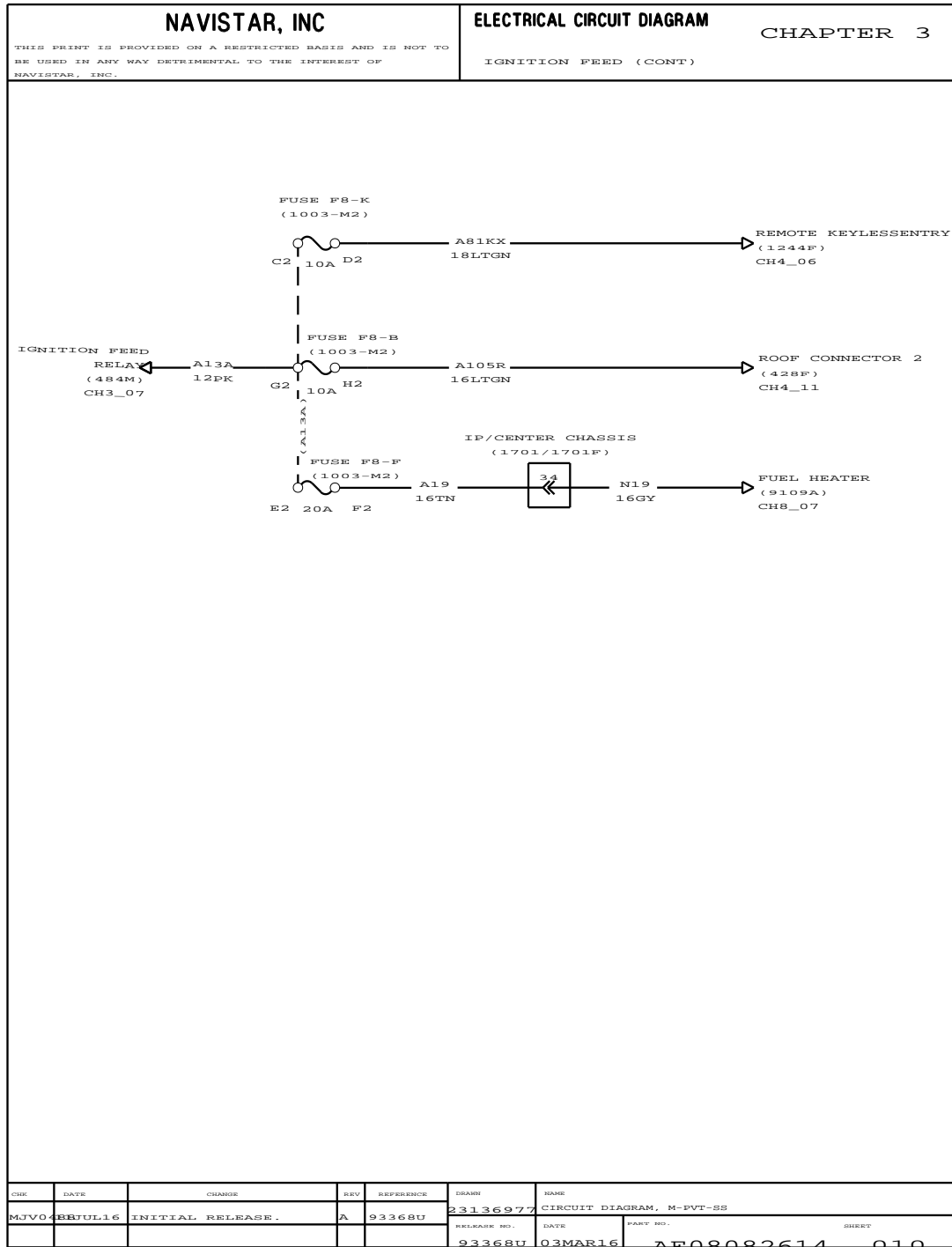


Figure 27 Ignition Feed (Cont.)

3.11. IGNITION FEED (CONT.), P. 11

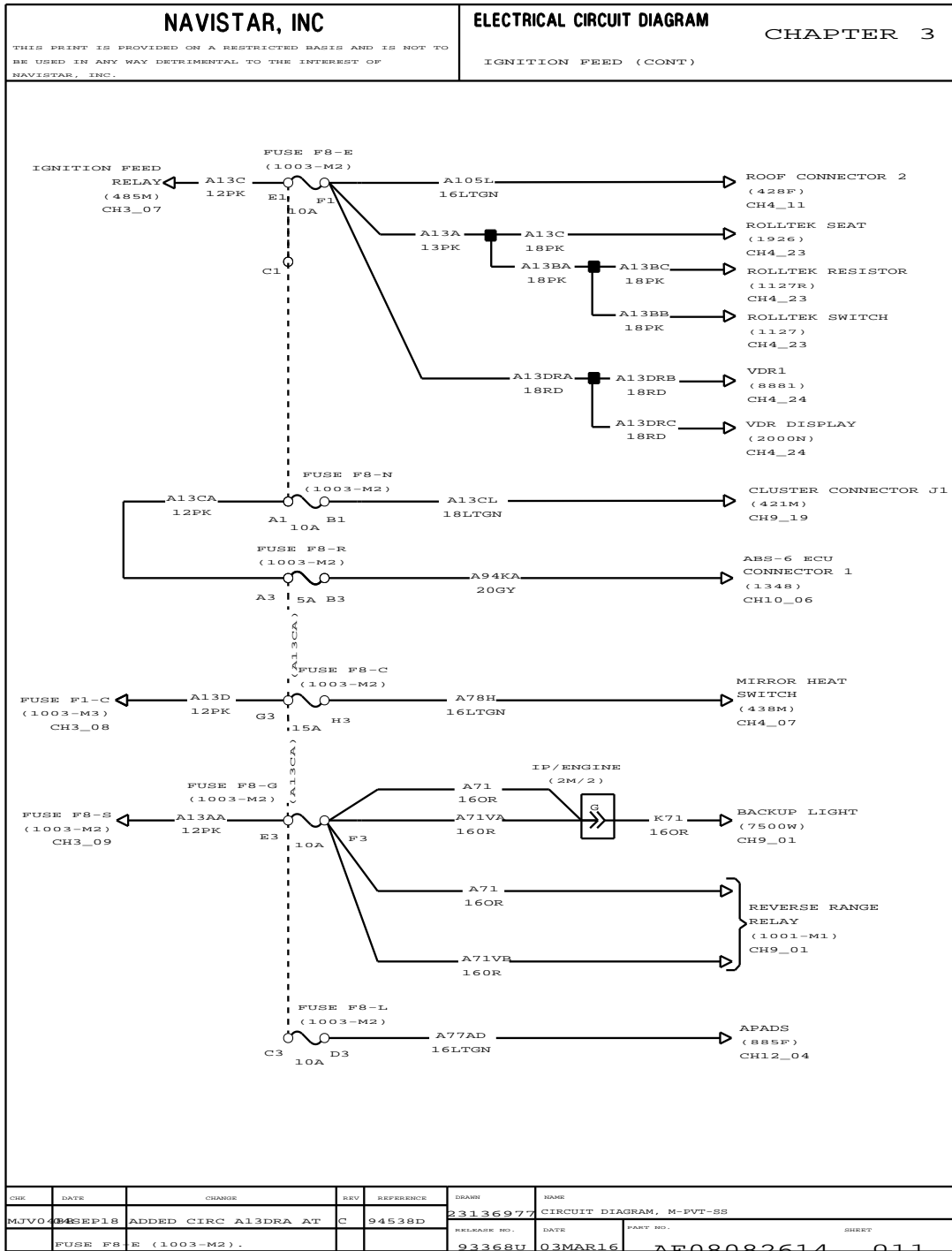


Figure 28 Ignition Feed (Cont.)

3.12. J1939 WIRING WITH 500K BAUD RATE, P. 12

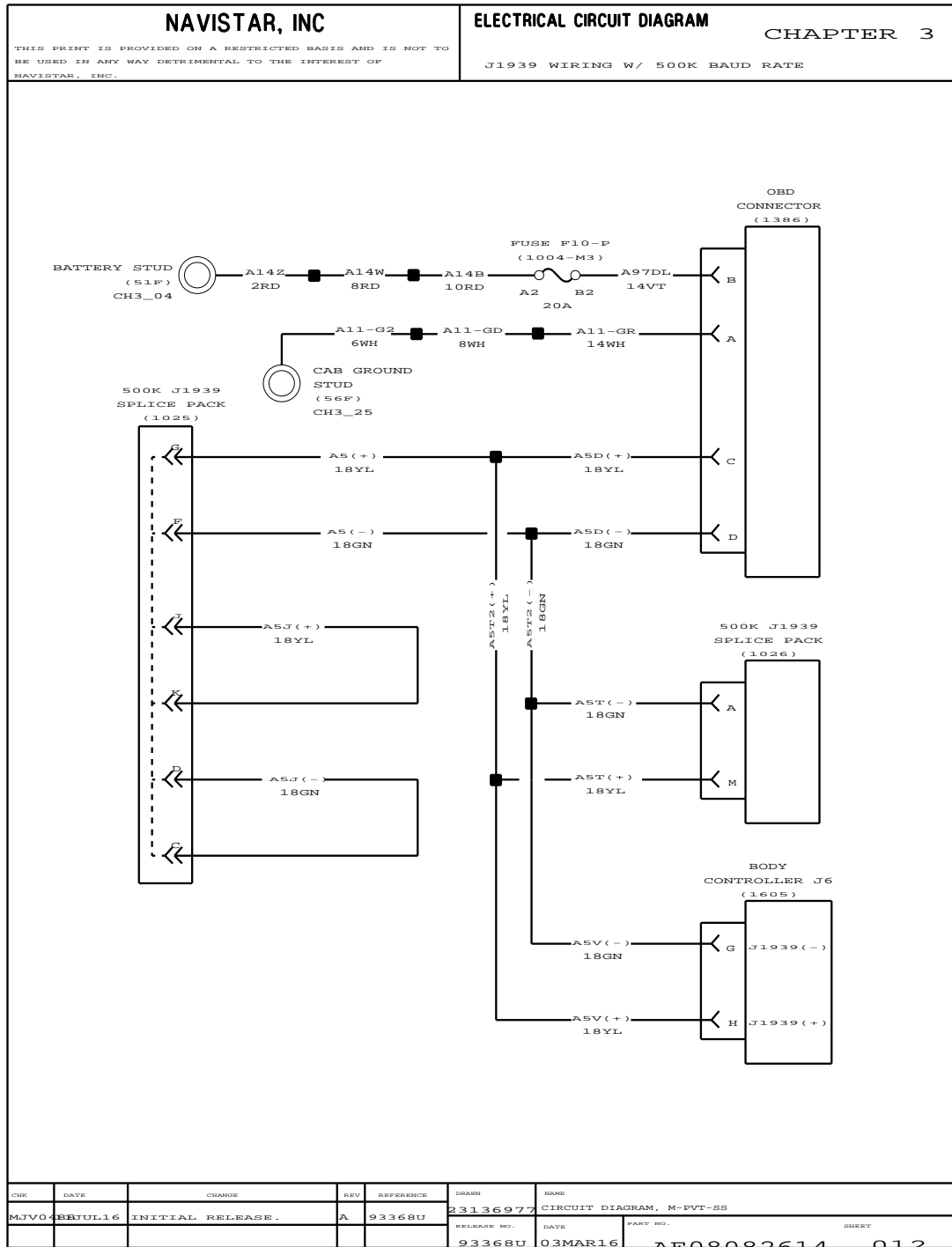


Figure 29 J1939 Wiring with 500K Baud Rate

3.13. J1939 WIRING WITH 500K BAUD RATE (CONT.), P. 13

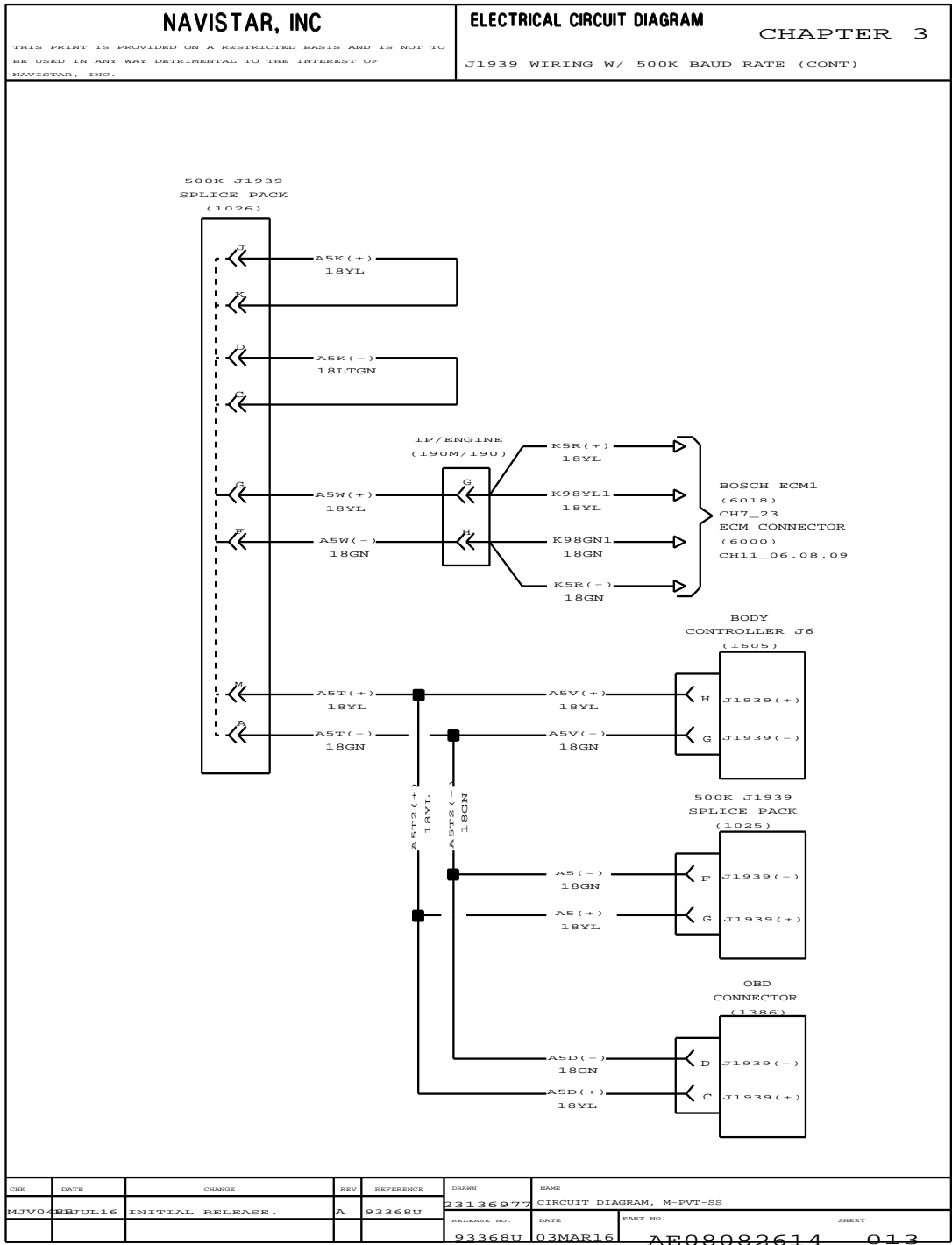


Figure 30 J1939 Wiring with 500K Baud Rate (Cont.)

3.14. J1939 DATA LINK WIRING WITH 250K, P. 14

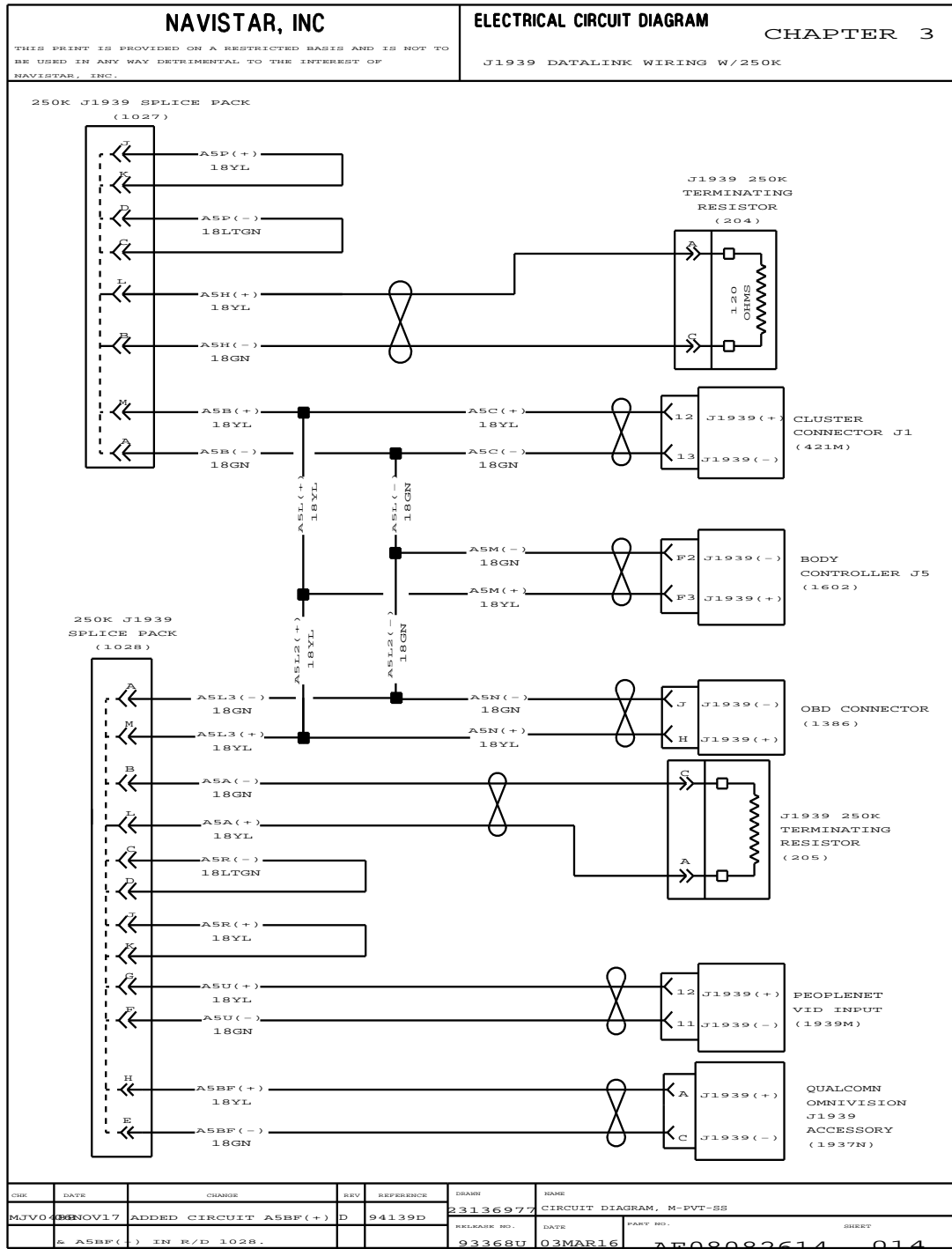


Figure 31 J1939 Data Link Wiring with 250K

3.15. J1939 WIRING WITH BENDIX ABS WITH 500K BAUD RATE, P. 15

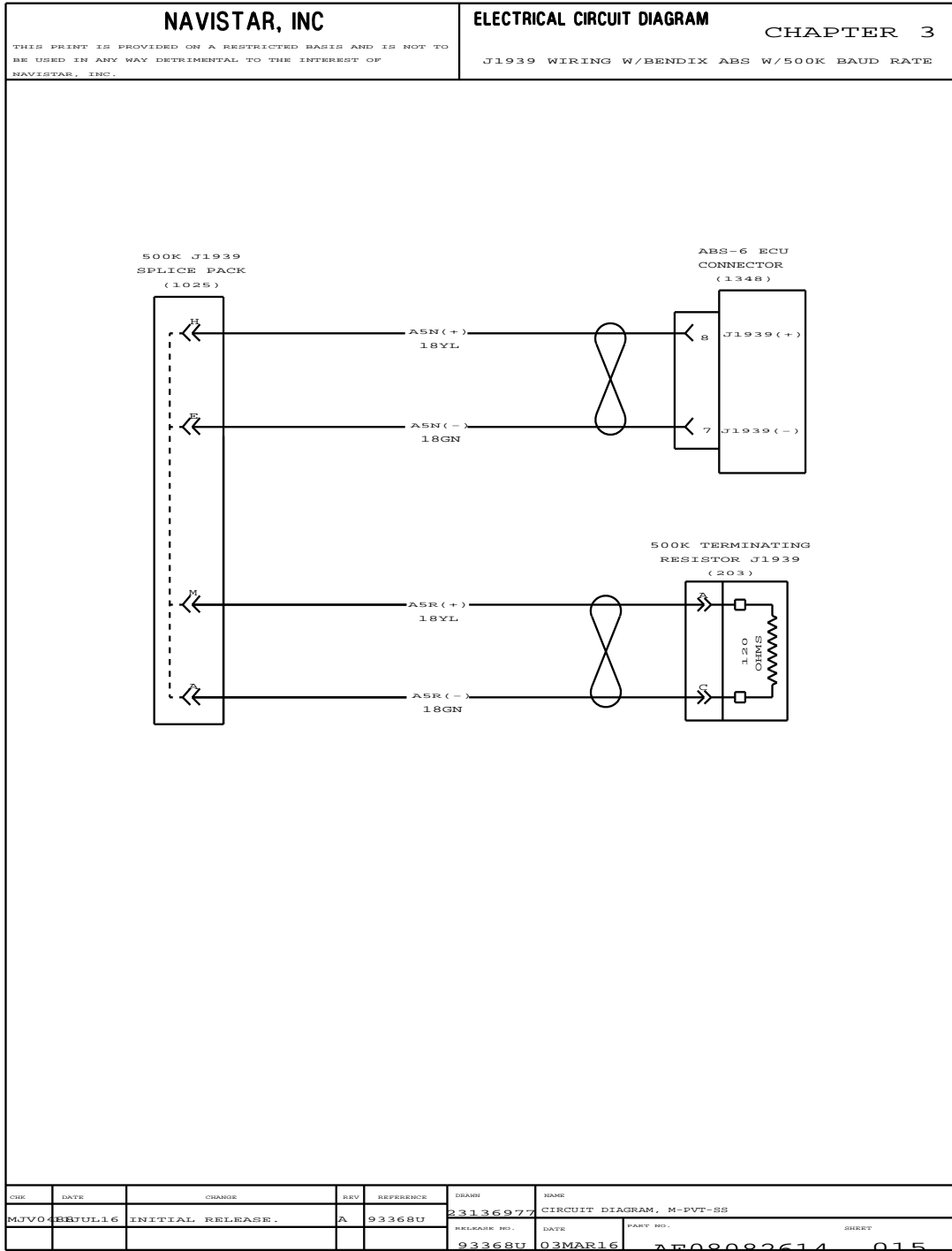


Figure 32 J1939 Wiring with Bendix ABS with 500K Baud Rate

3.16. J1939 WIRING WITH ALLISON TRANSMISSION, P. 16

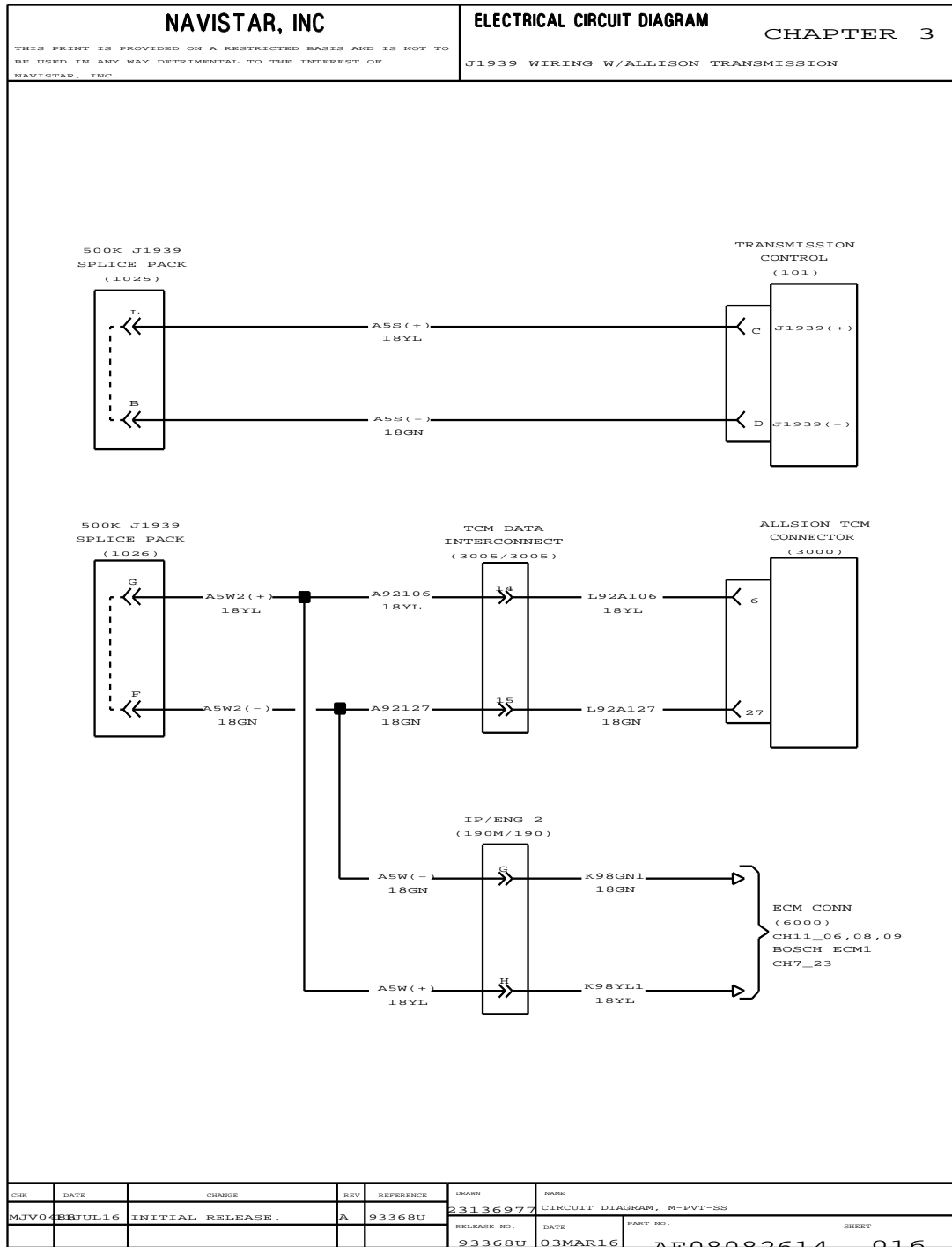


Figure 33 J1939 Wiring with Allison Transmission

3.17. FIVE AND ZERO VOLT SOURCE SPLICE PACK, P. 17

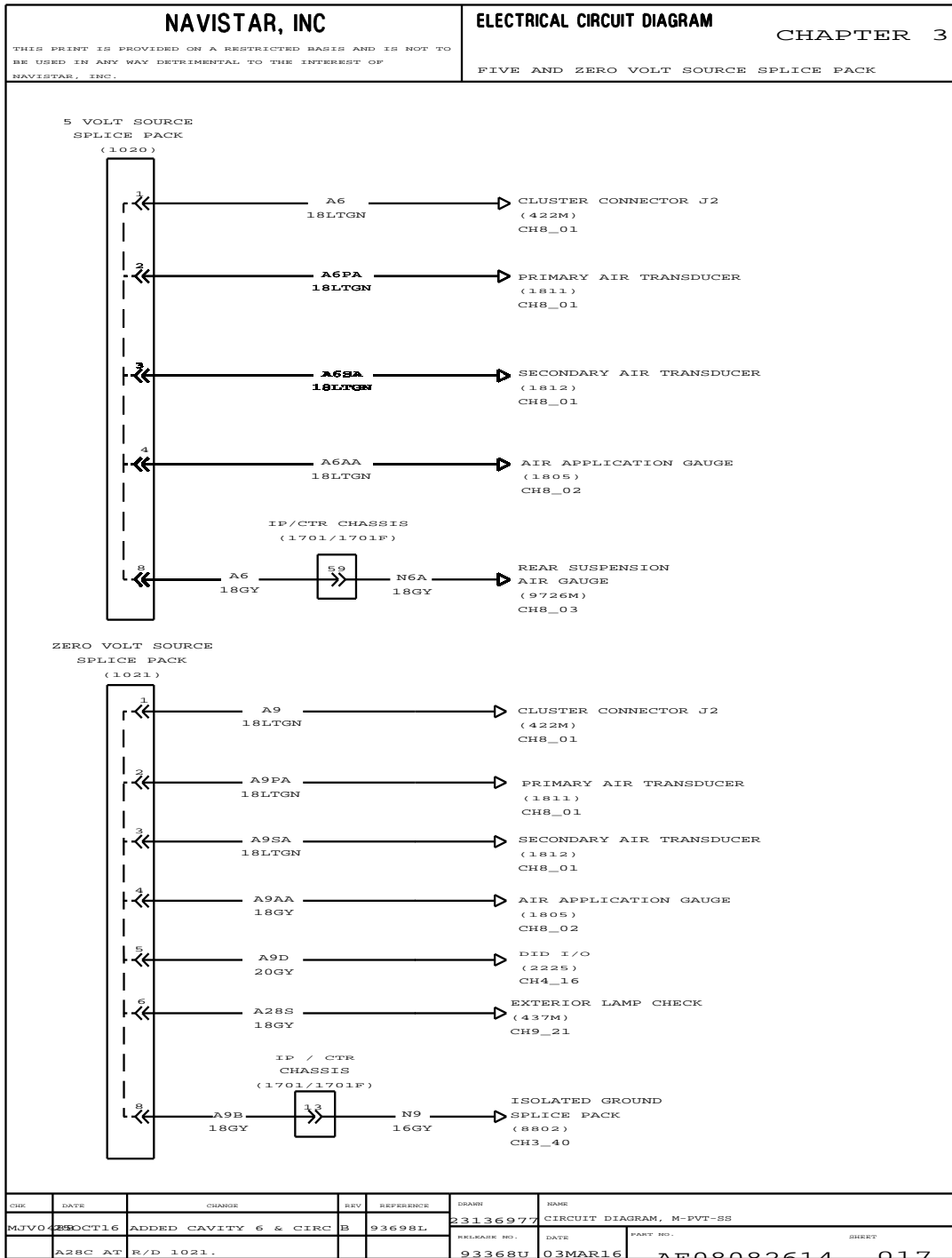


Figure 34 Five and Zero Volt Source Splice Pack

3.18. GROUND – IP, P. 18

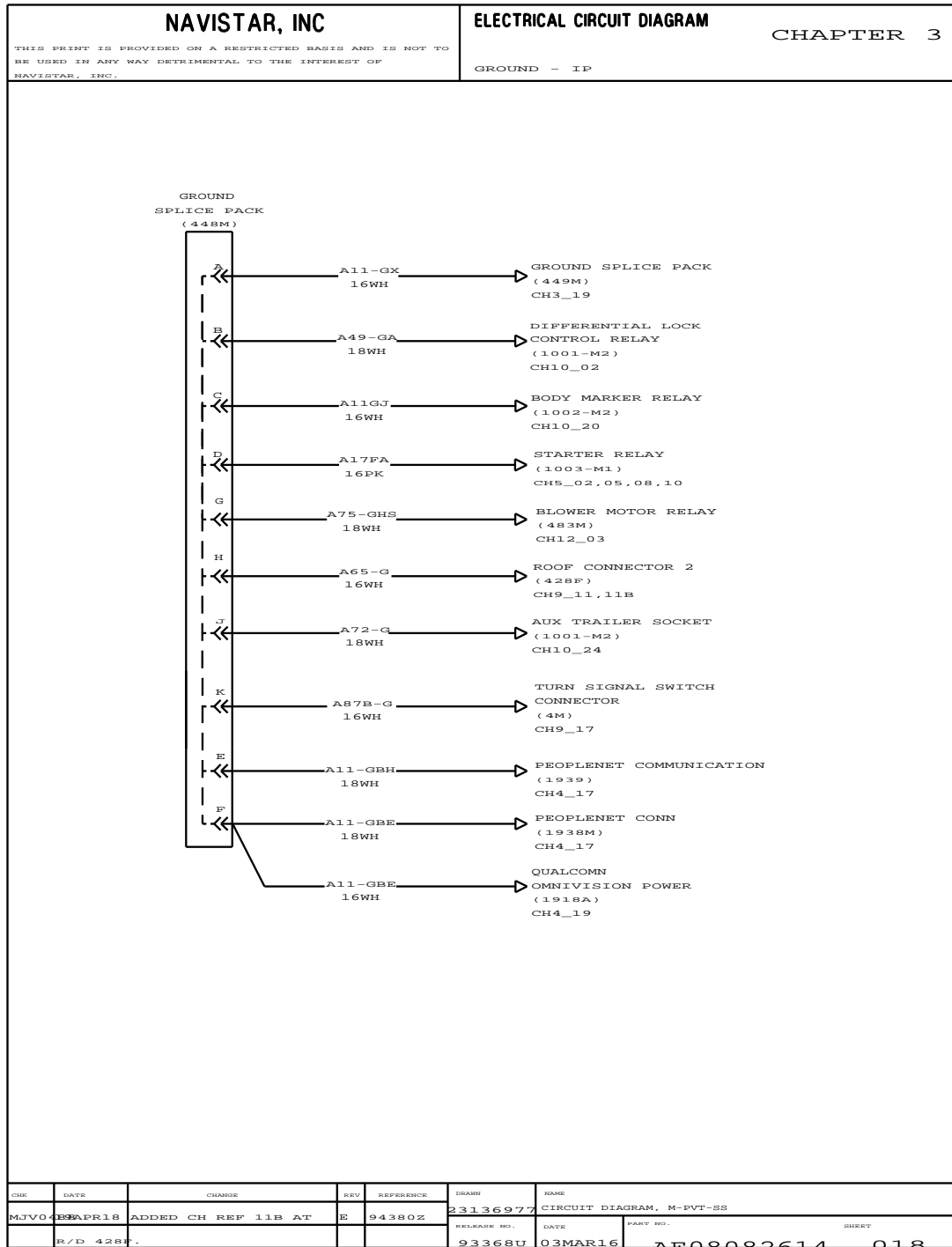


Figure 35 Ground – IP

3.19. GROUND – IP (CONT.), P. 19

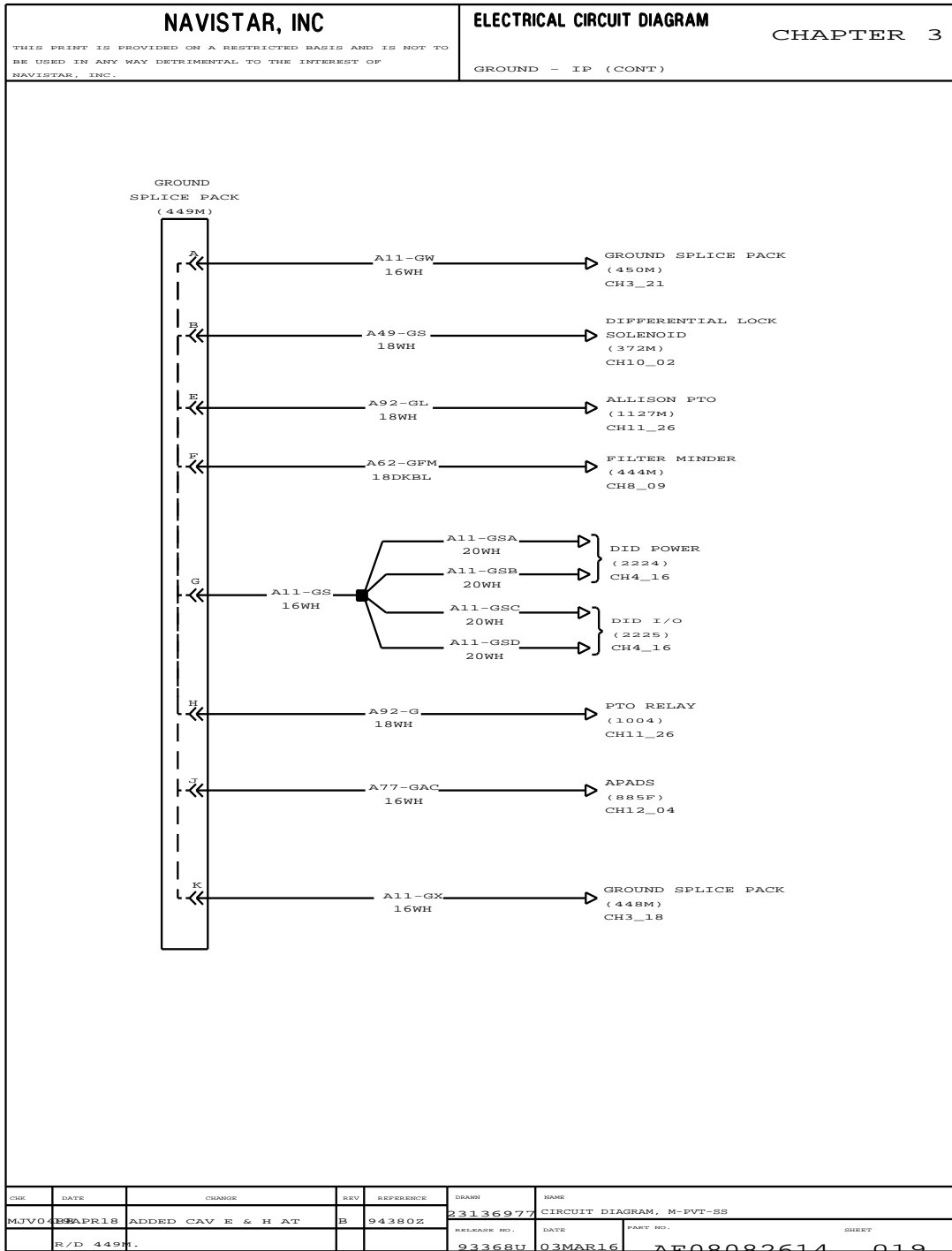


Figure 36 Ground – IP (Cont.)

3.20. GROUND – IP (CONT.), P. 20

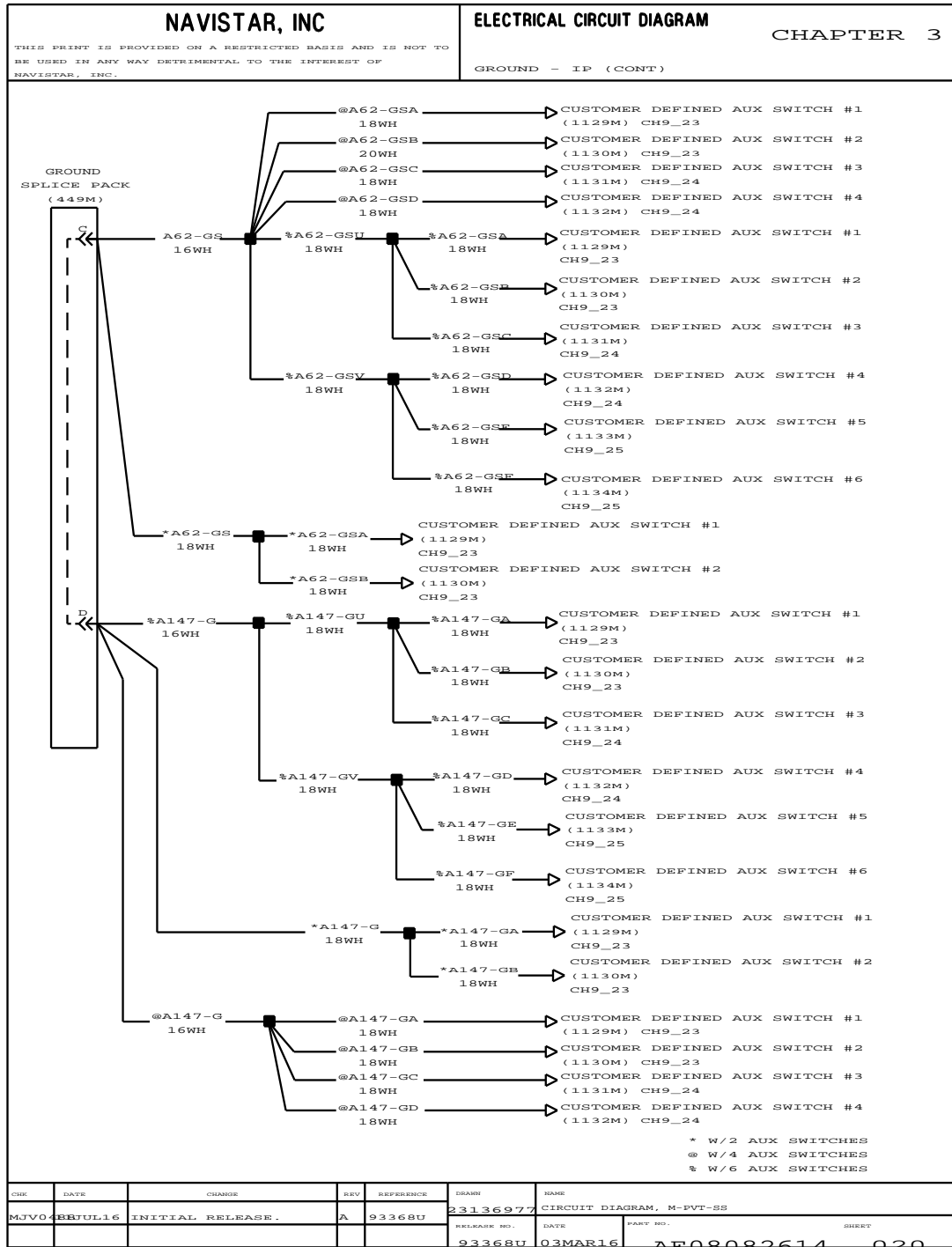


Figure 37 Ground – IP (Cont.)

3.21. GROUND – IP (CONT.), P. 20A

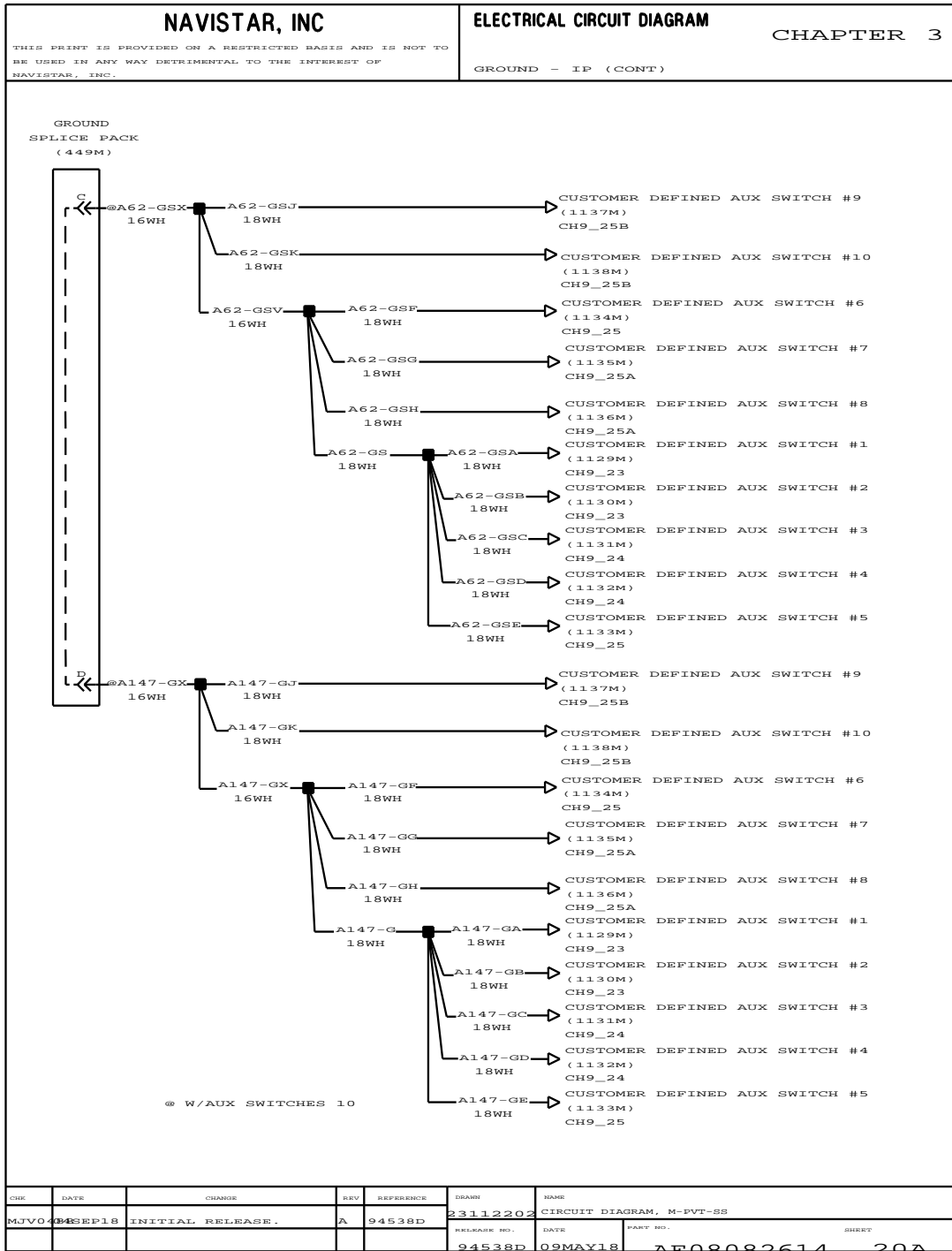


Figure 38 Ground – IP (Cont.)

3.22. GROUND – IP (CONT.), P. 21

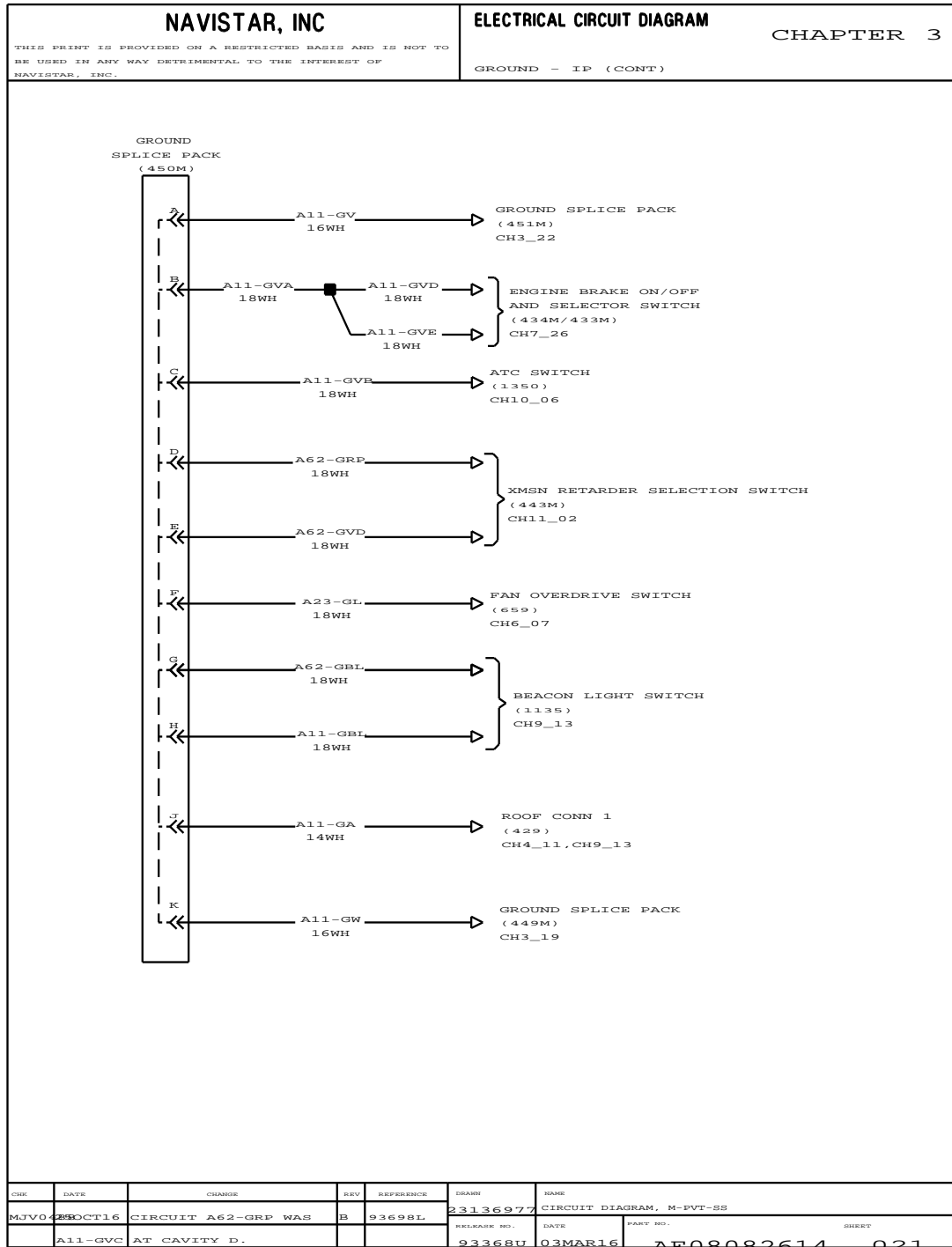


Figure 39 Ground – IP (Cont.)

3.23. GROUND – IP (CONT.), P. 22

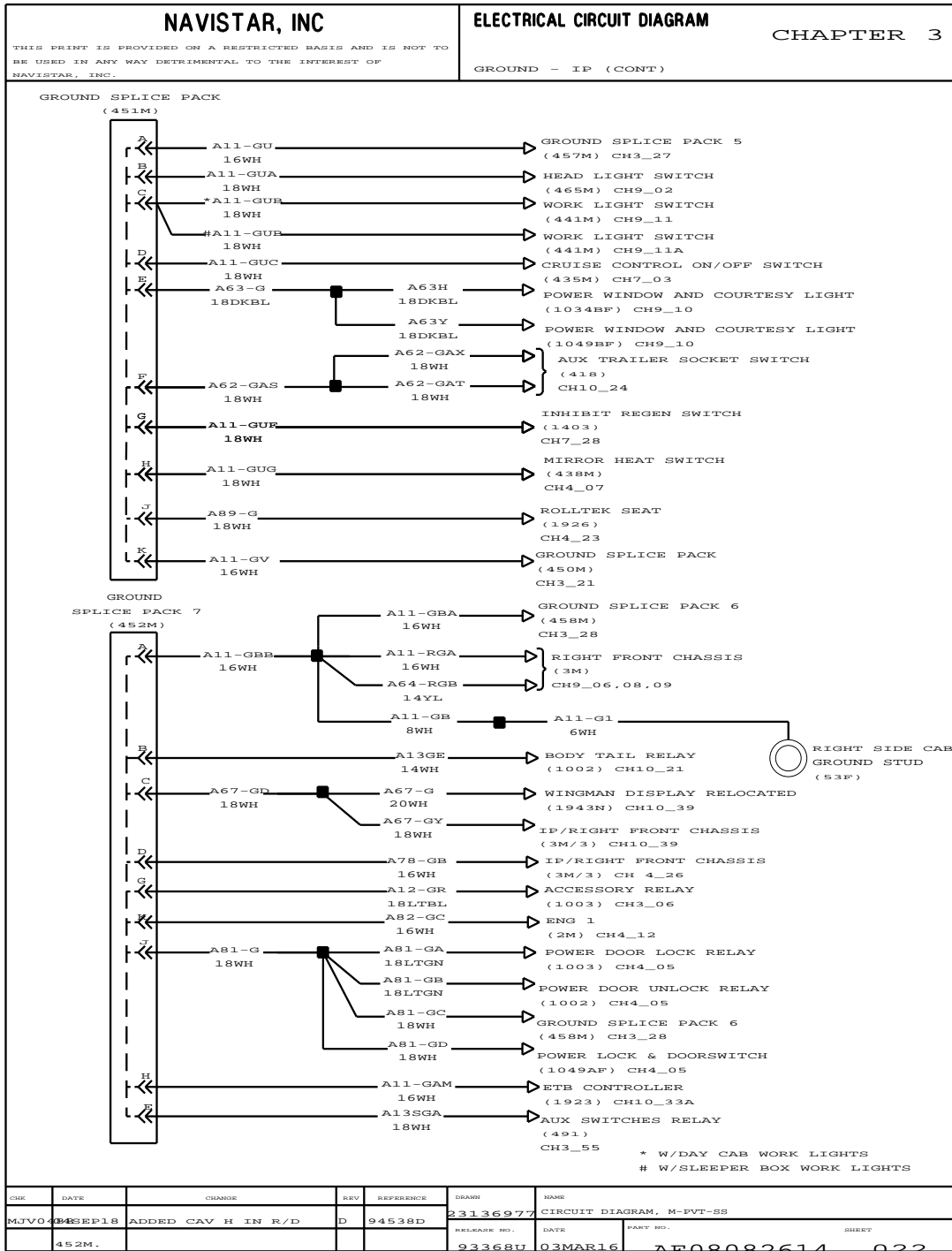


Figure 40 Ground – IP (Cont.)

3.24. GROUND – IP (CONT.), P. 23

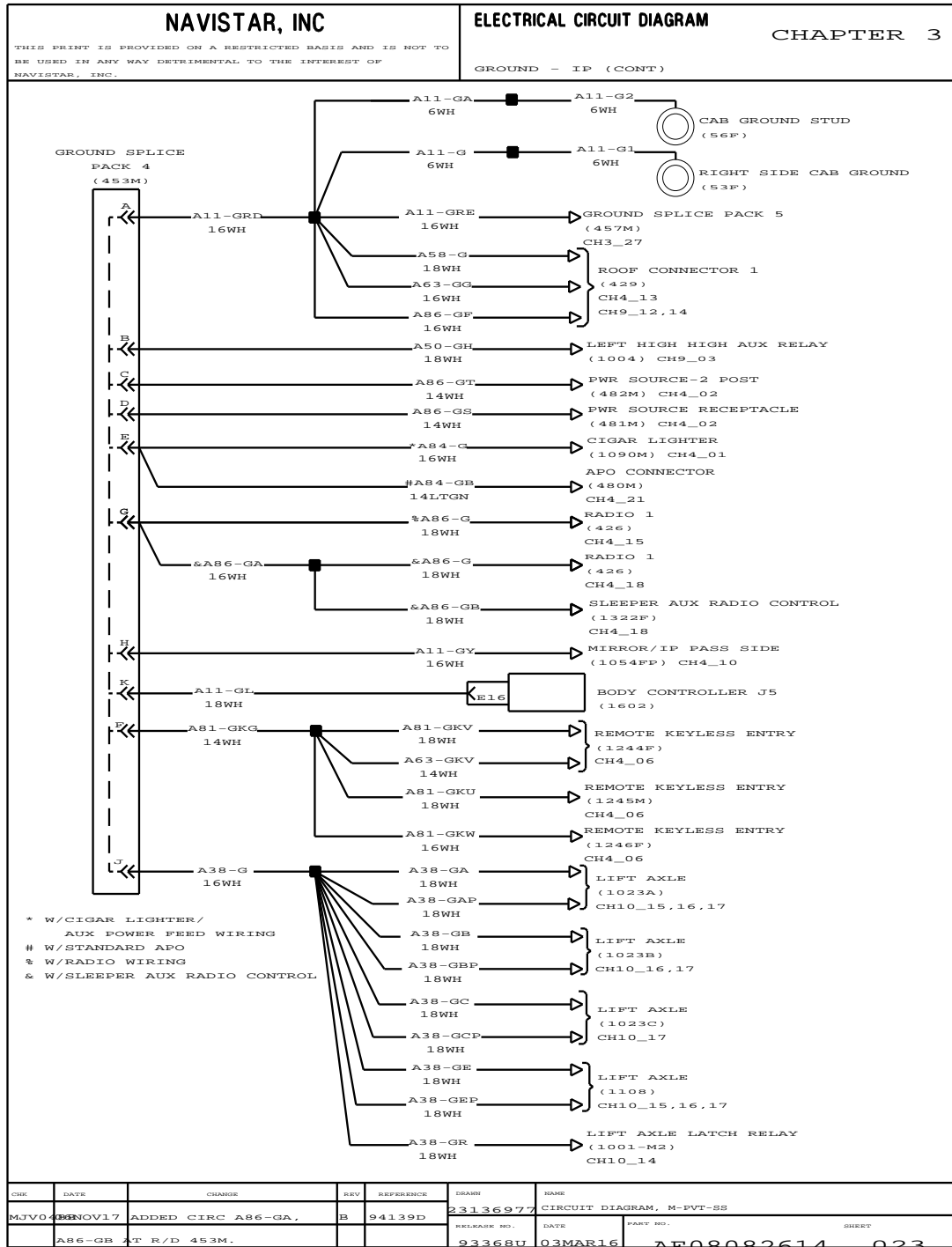


Figure 41 Ground – IP (Cont.)

3.25. GROUND – IP (CONT.), P. 24

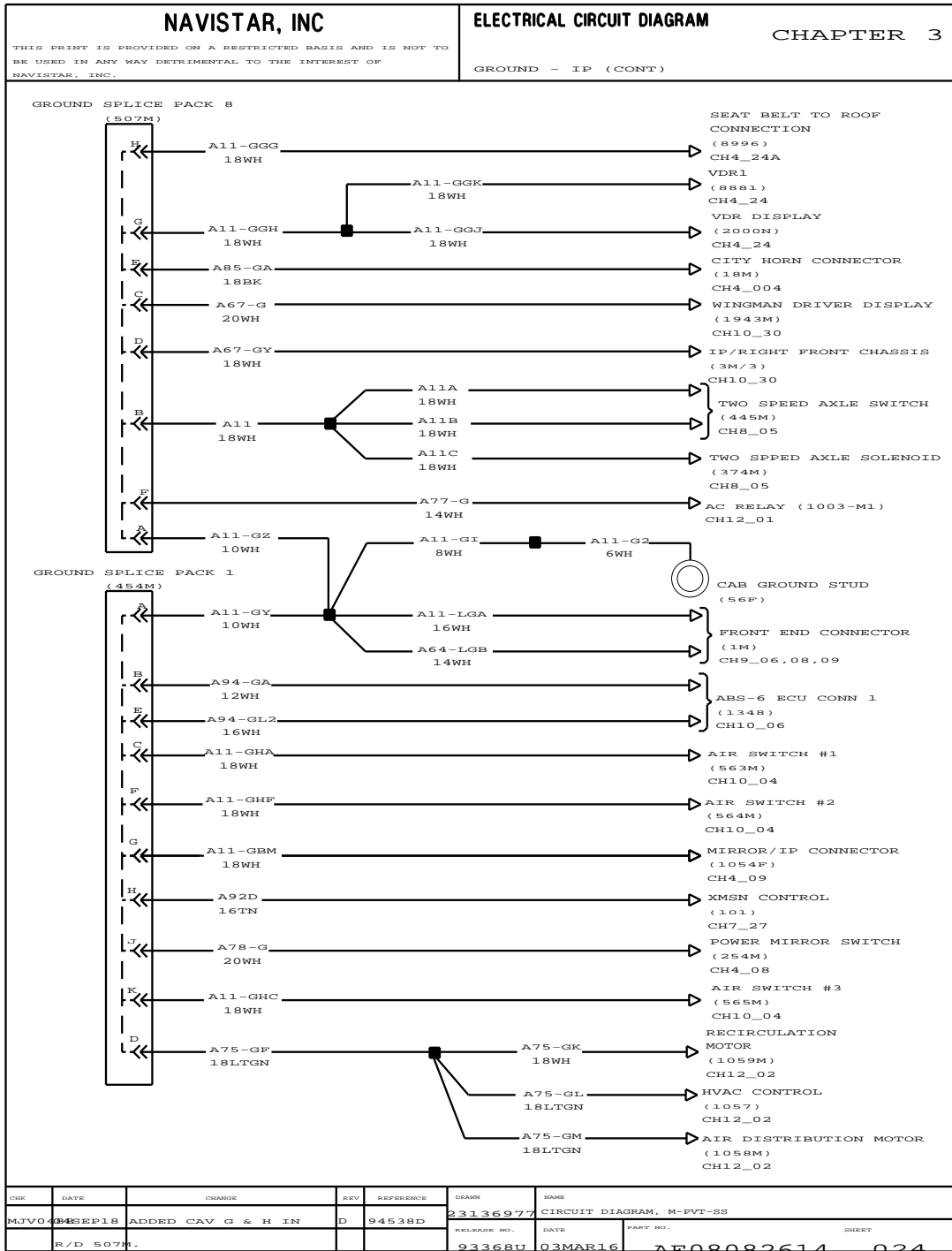


Figure 42 Ground – IP (Cont.)

3.26. GROUND – IP (CONT.), P. 25

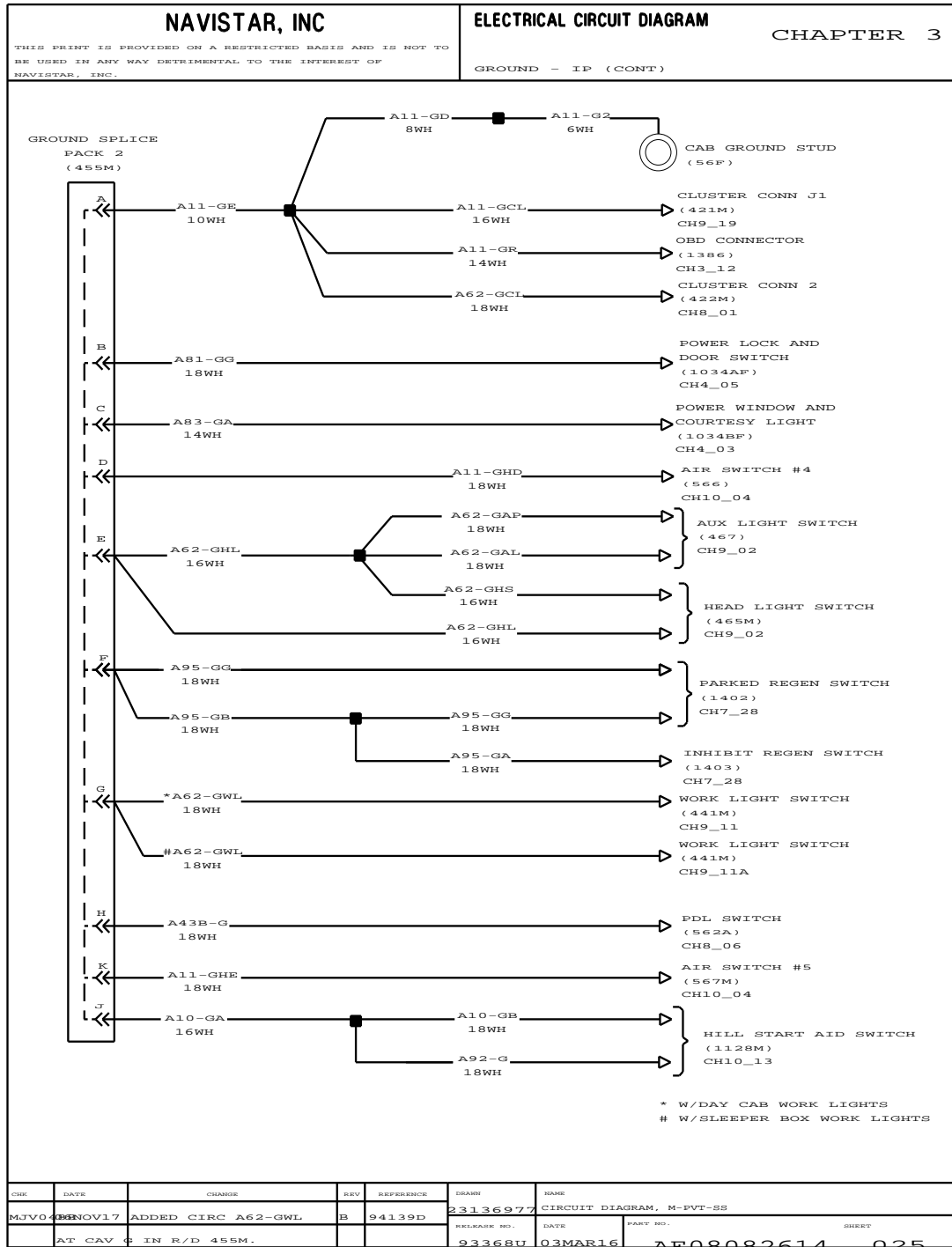


Figure 43 Ground – IP (Cont.)

3.27. GROUND – IP (CONT.), P. 26

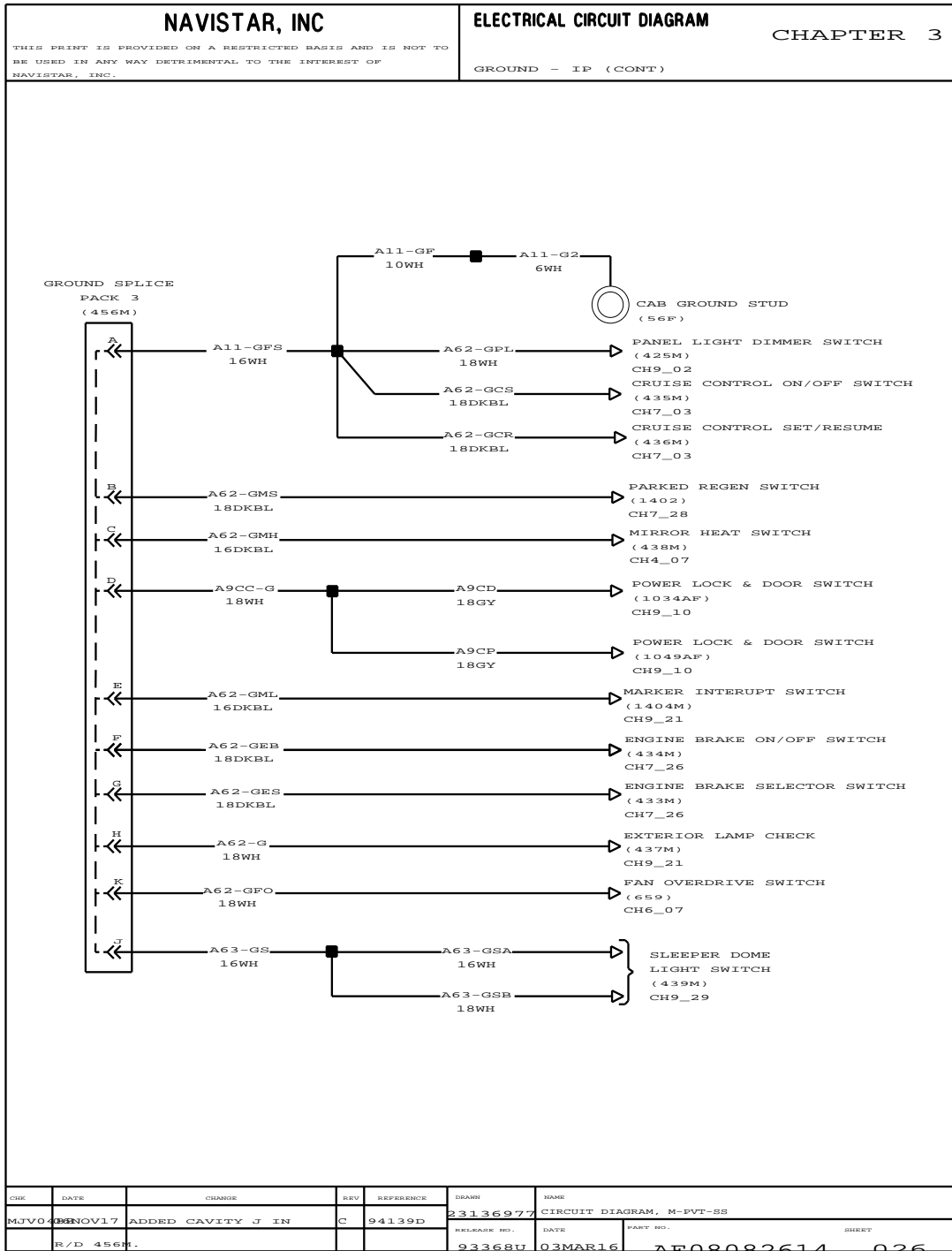


Figure 44 Ground – IP (Cont.)

3.28. GROUND – IP (CONT.), P. 27

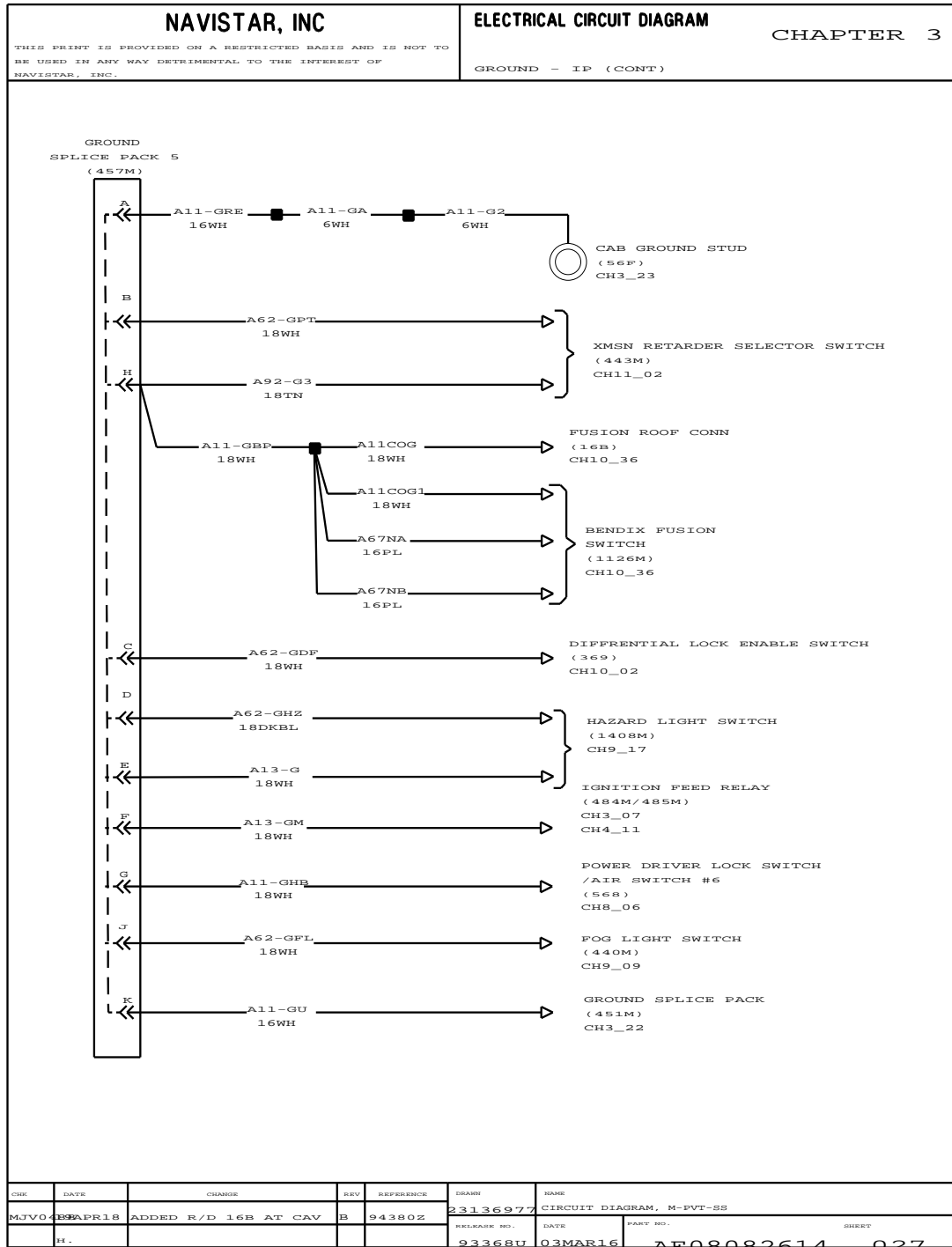


Figure 45 Ground – IP (Cont.)

3.29. GROUND – IP (CONT.), P. 28

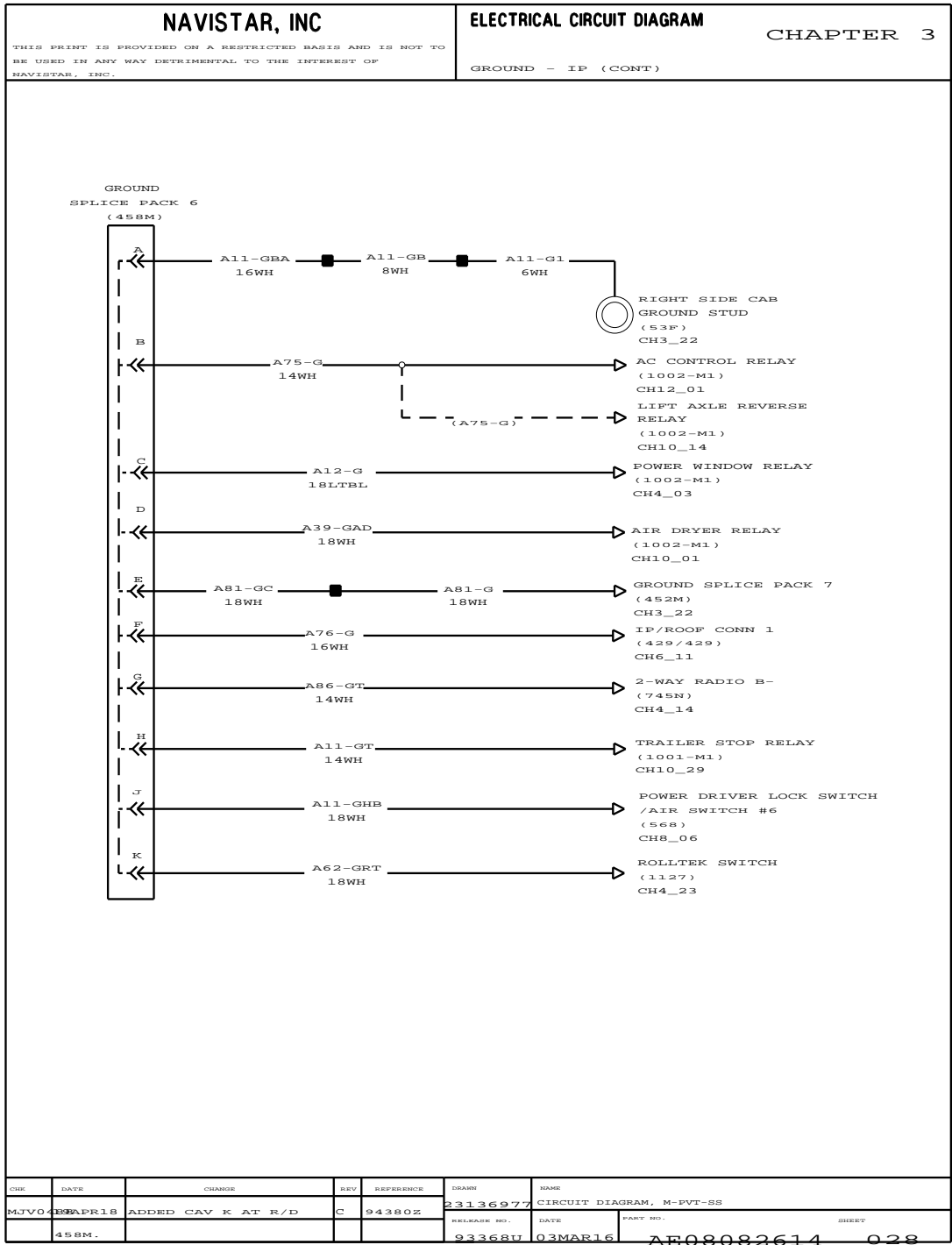


Figure 46 Ground – IP (Cont.)

3.30. GROUND – IP (CONT.), P. 29

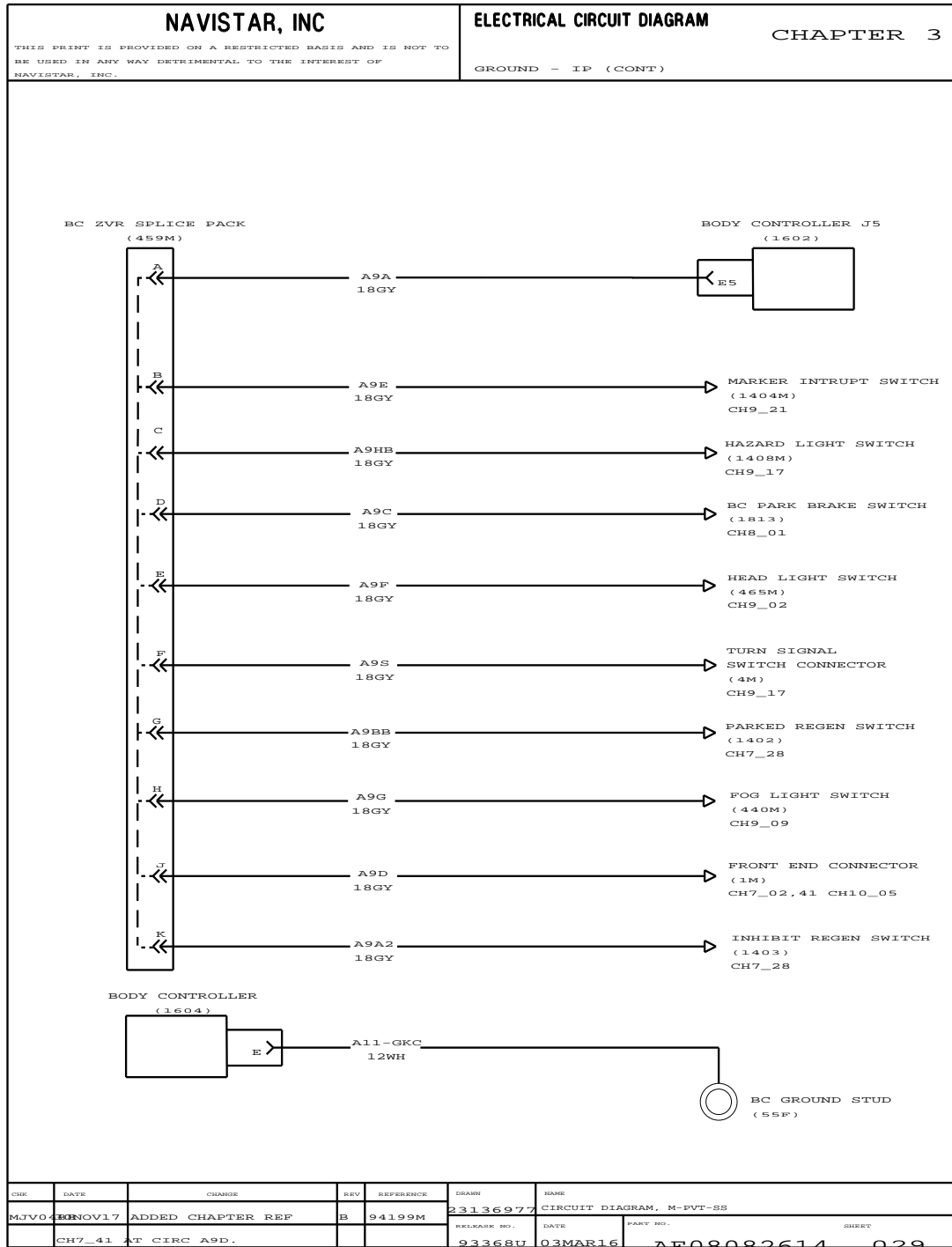


Figure 47 Ground – IP (Cont.)

3.31. GROUND – IP (CONT.), P. 30

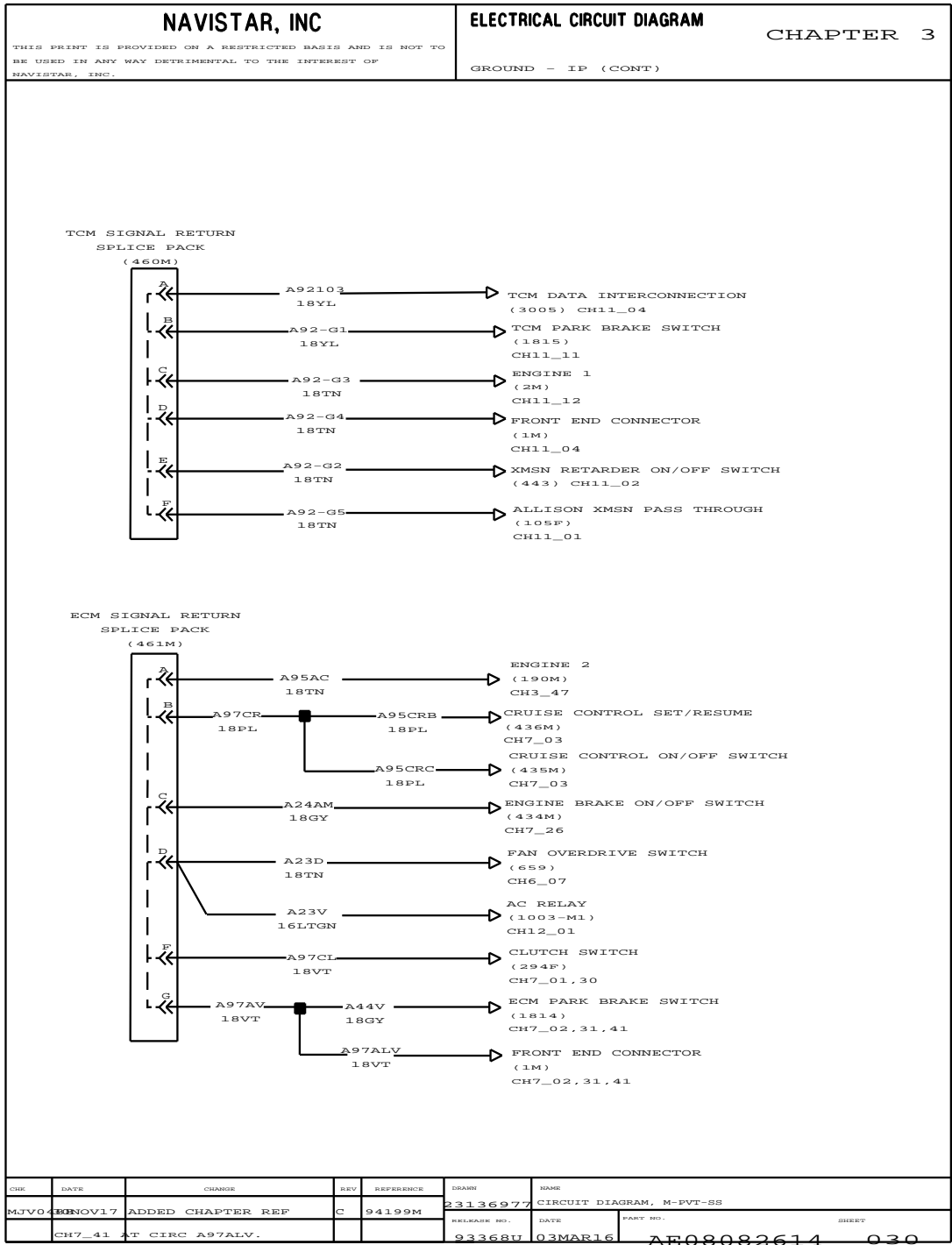


Figure 48 Ground – IP (Cont.)

3.32. PANEL LIGHT ADAPTER, P. 31

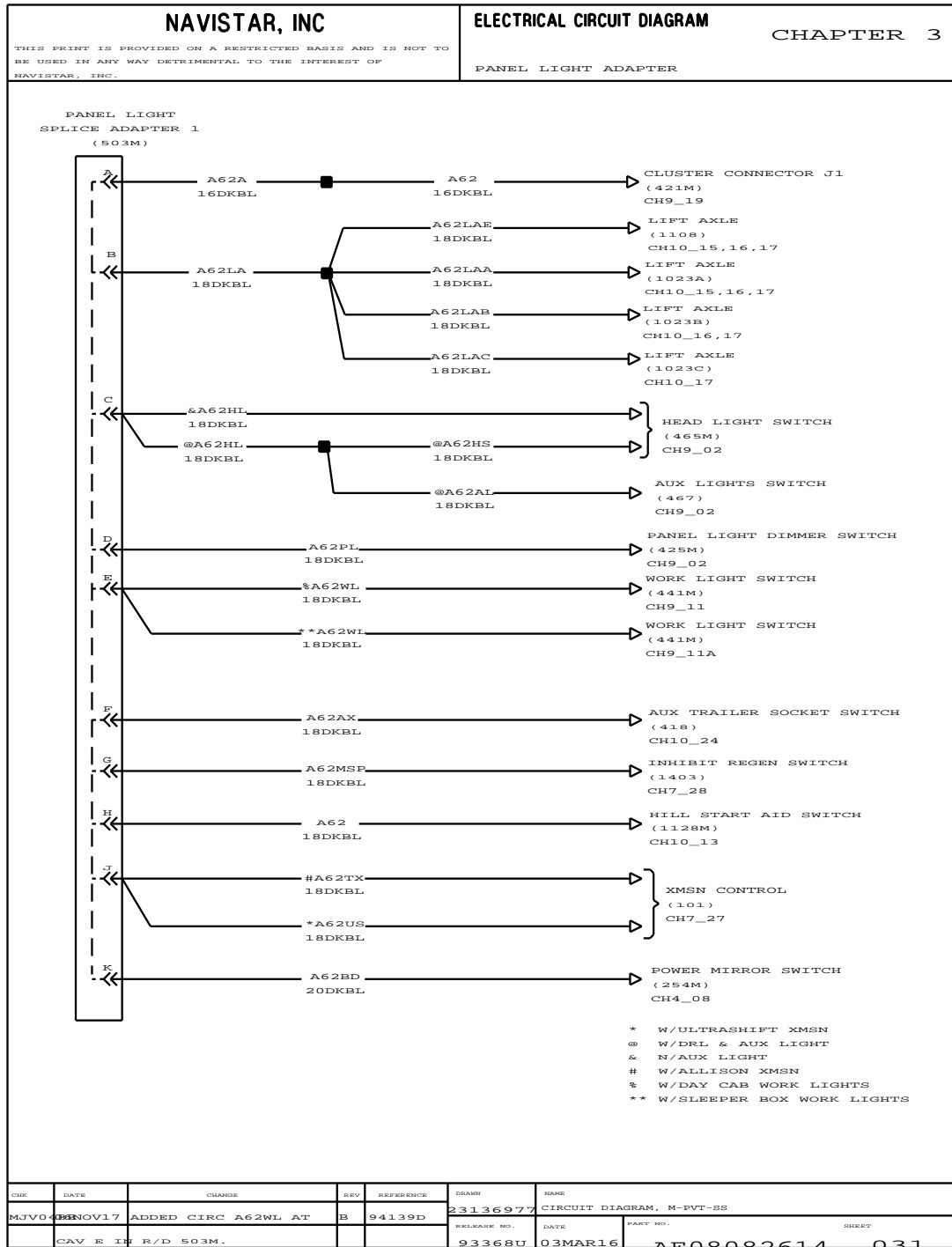


Figure 49 Panel Light Adapter

3.33. PANEL LIGHT ADAPTER (CONT.), P. 32

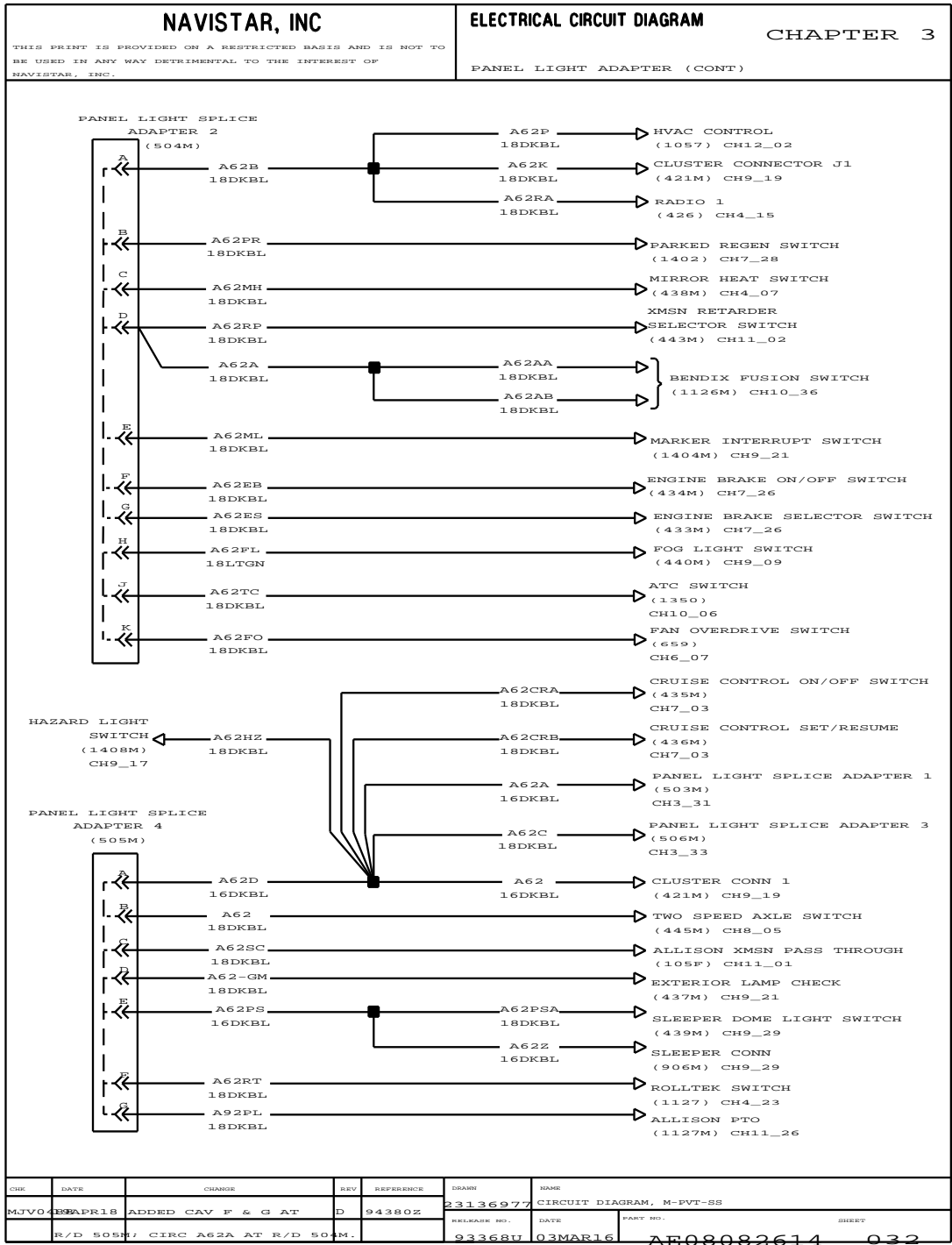


Figure 50 Panel Light Adapter (Cont.)

3.34. PANEL LIGHT ADAPTER (CONT.), P. 33

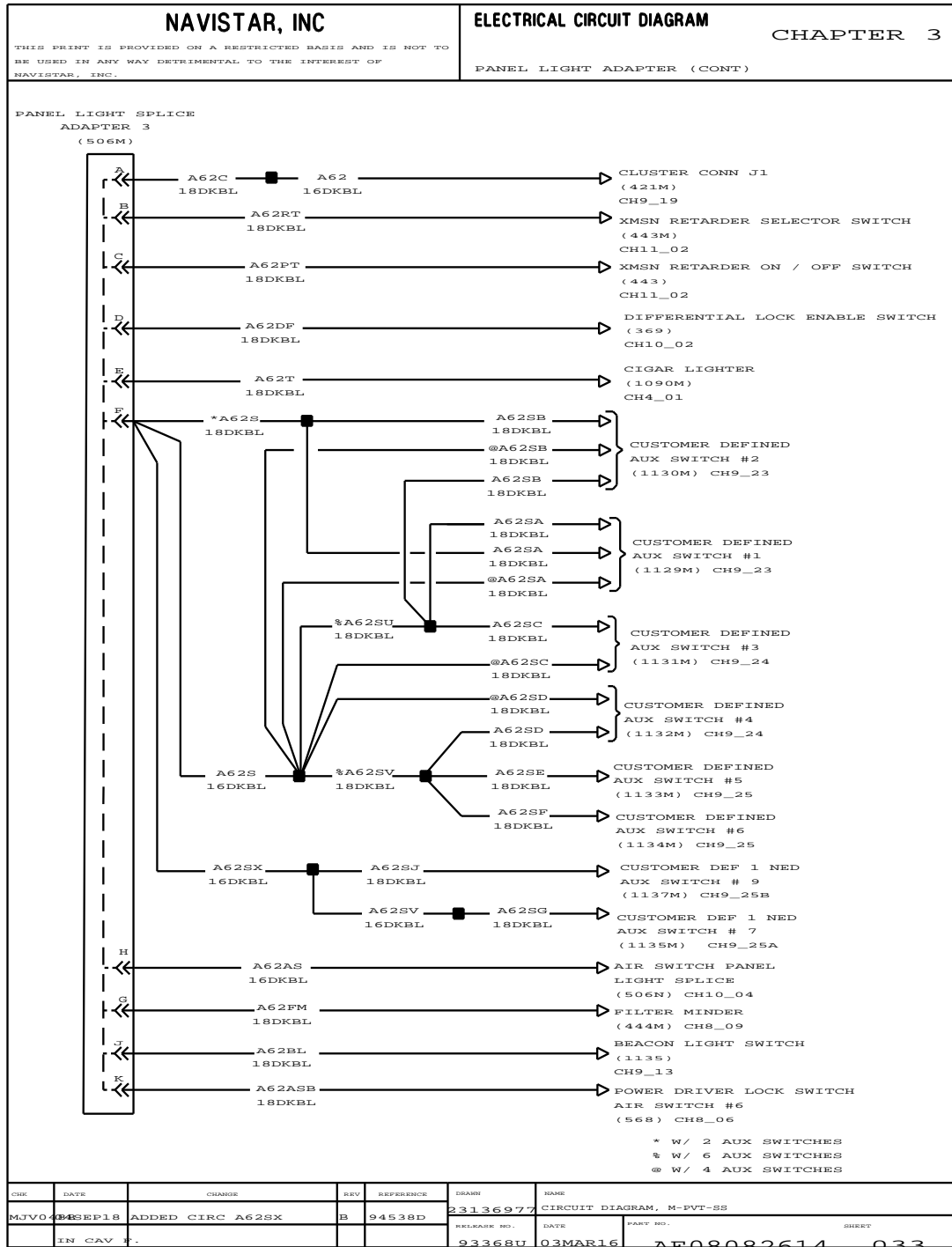


Figure 51 Panel Light Adapter (Cont.)

3.35. PANEL LIGHT ADAPTER (CONT.), P. 33A

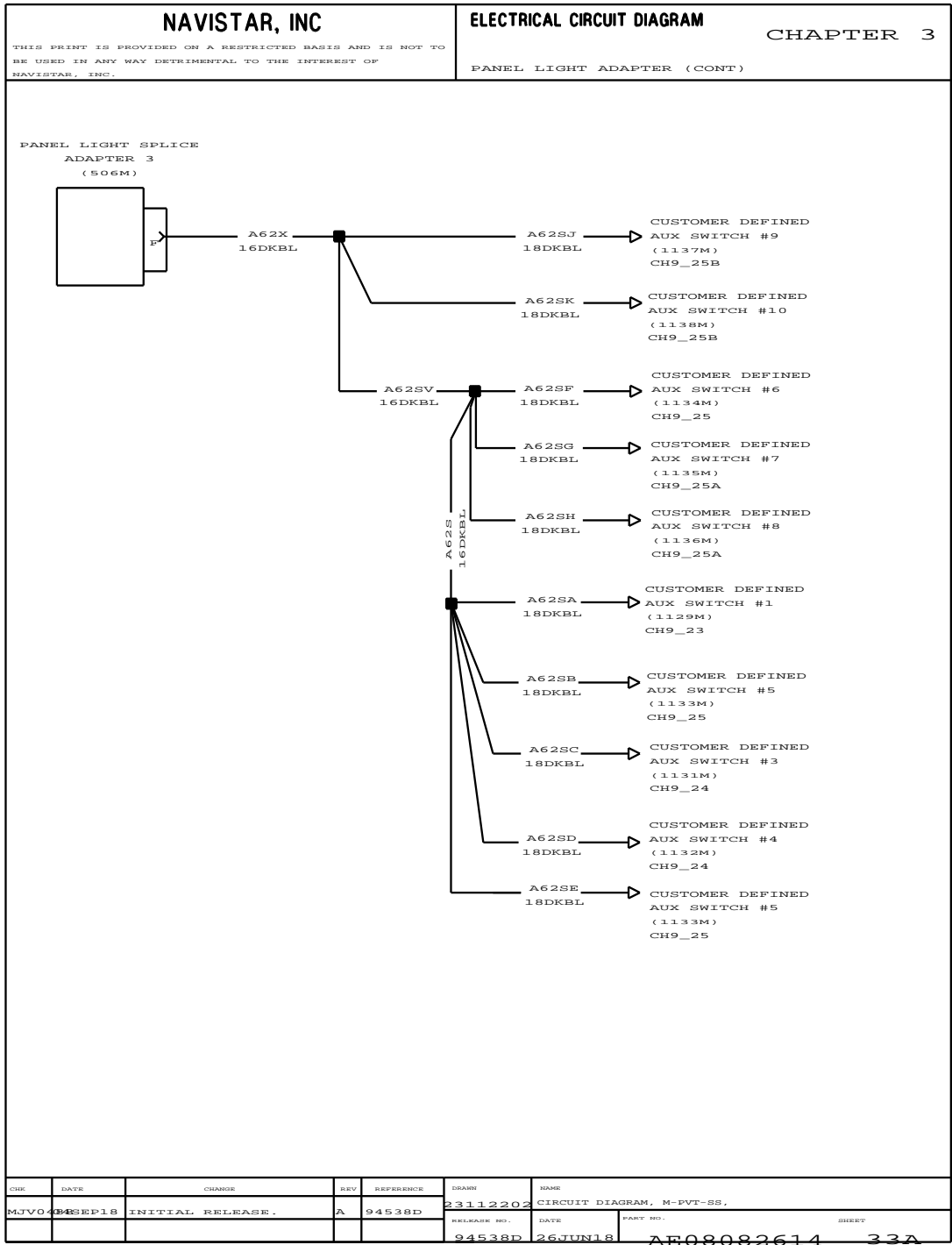


Figure 52 Panel Light Adapter (Cont.)

3.36. IGNITION SPLICE PACK, P. 34

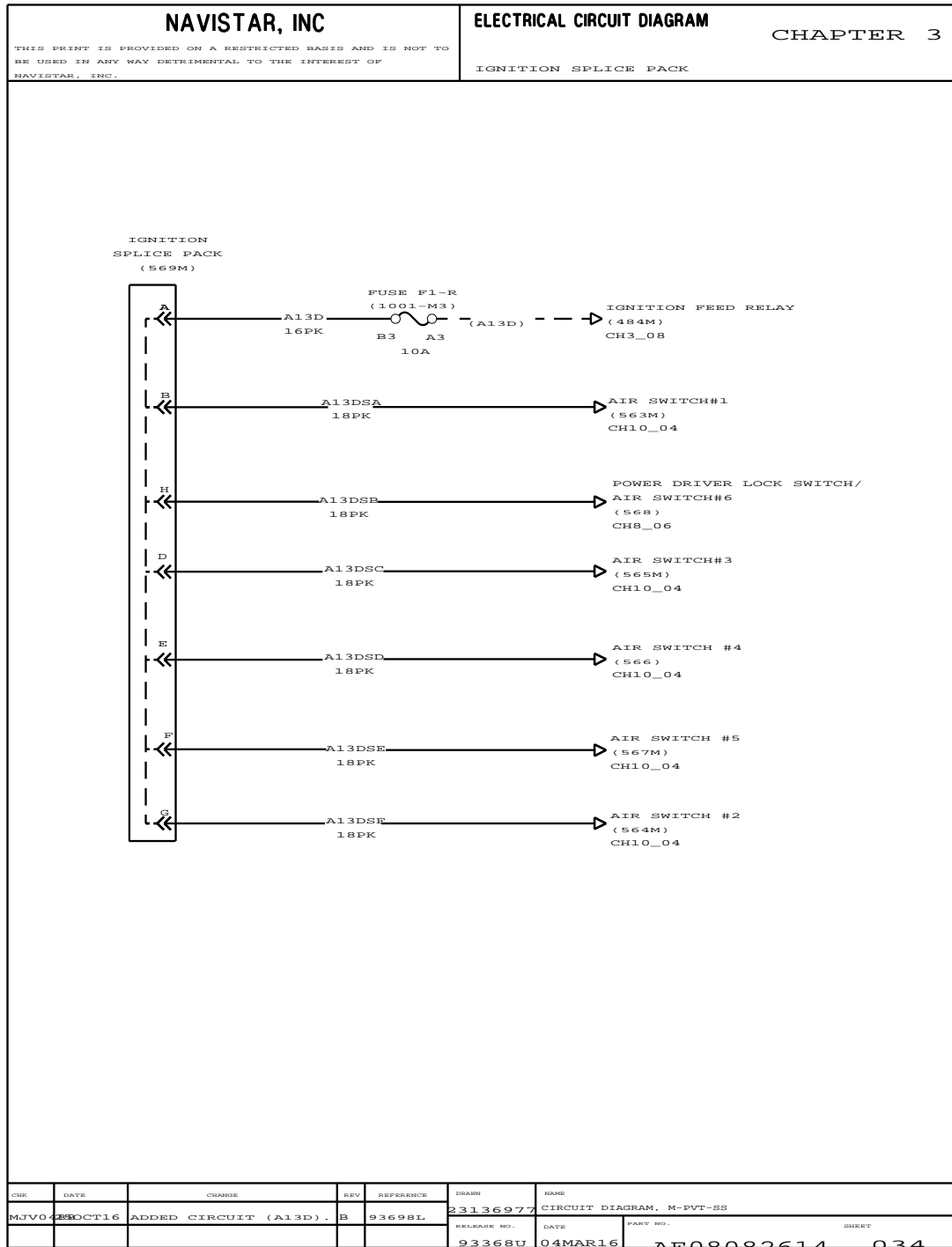


Figure 53 Ignition Splice Pack

3.37. IGNITION SPLICE PACK (CONT.), P. 35

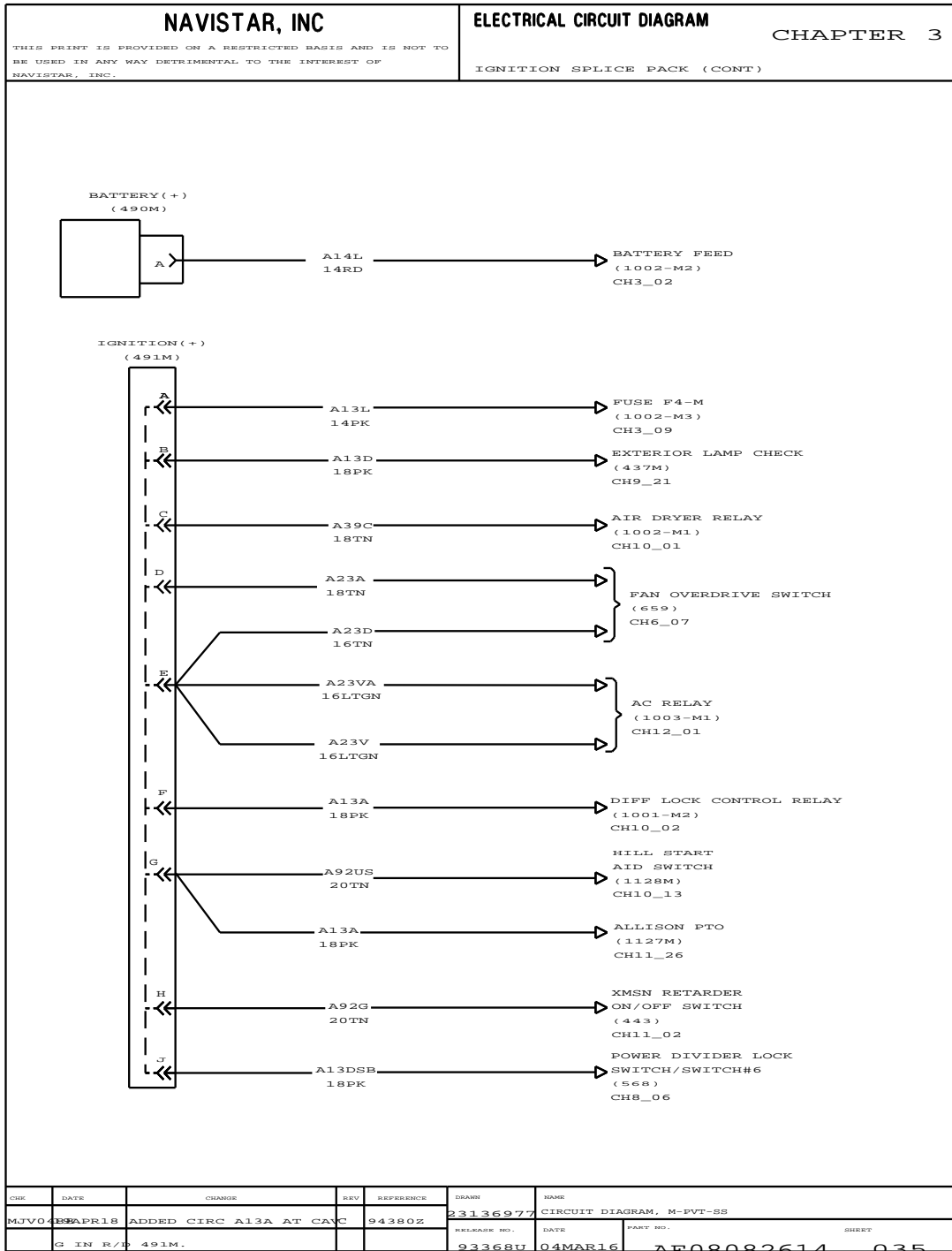


Figure 54 Ignition Splice Pack (Cont.)

3.38. START FEED ADAPTER, P. 36

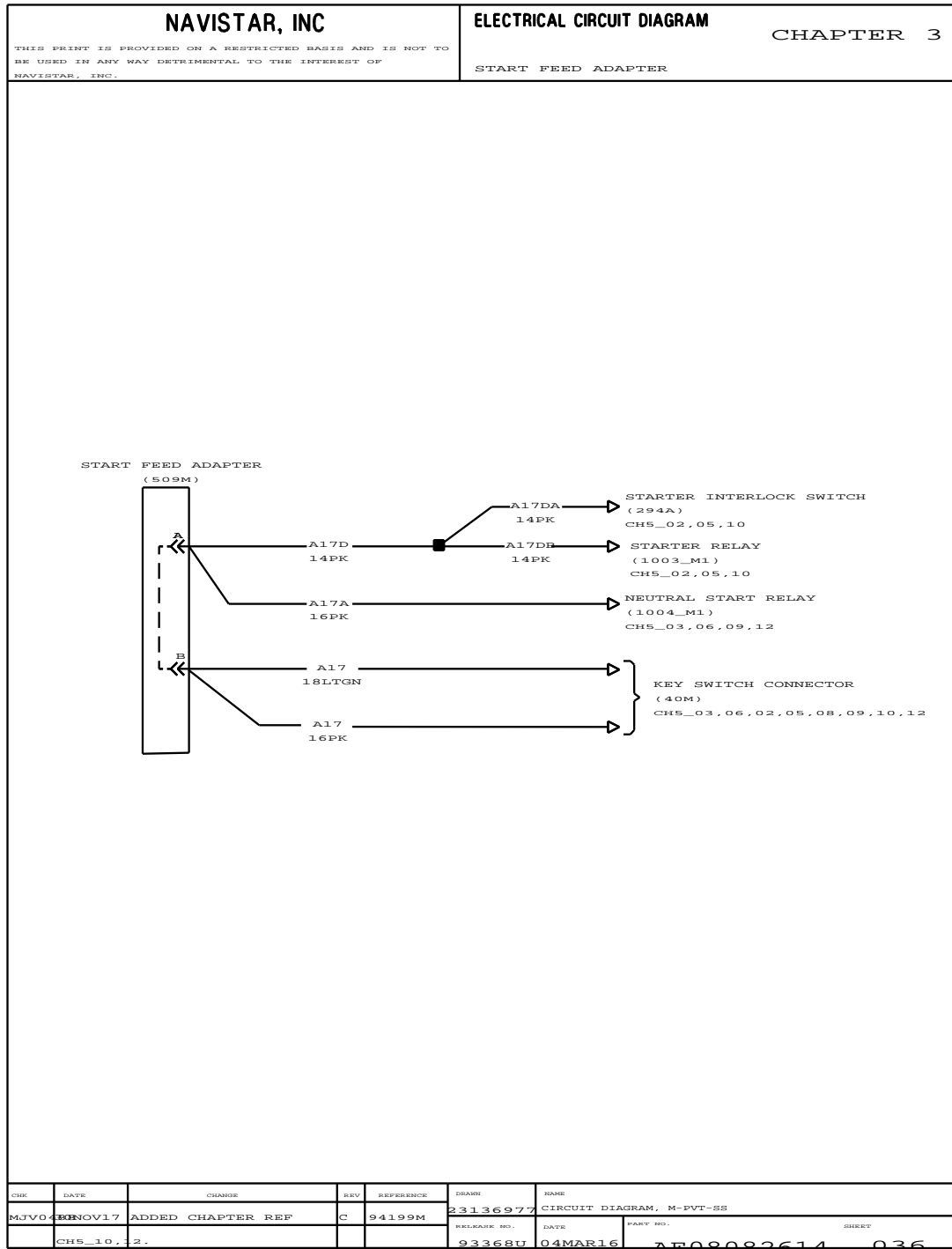


Figure 55 Start Feed Adapter

3.39. GROUND – CHASSIS, P. 37

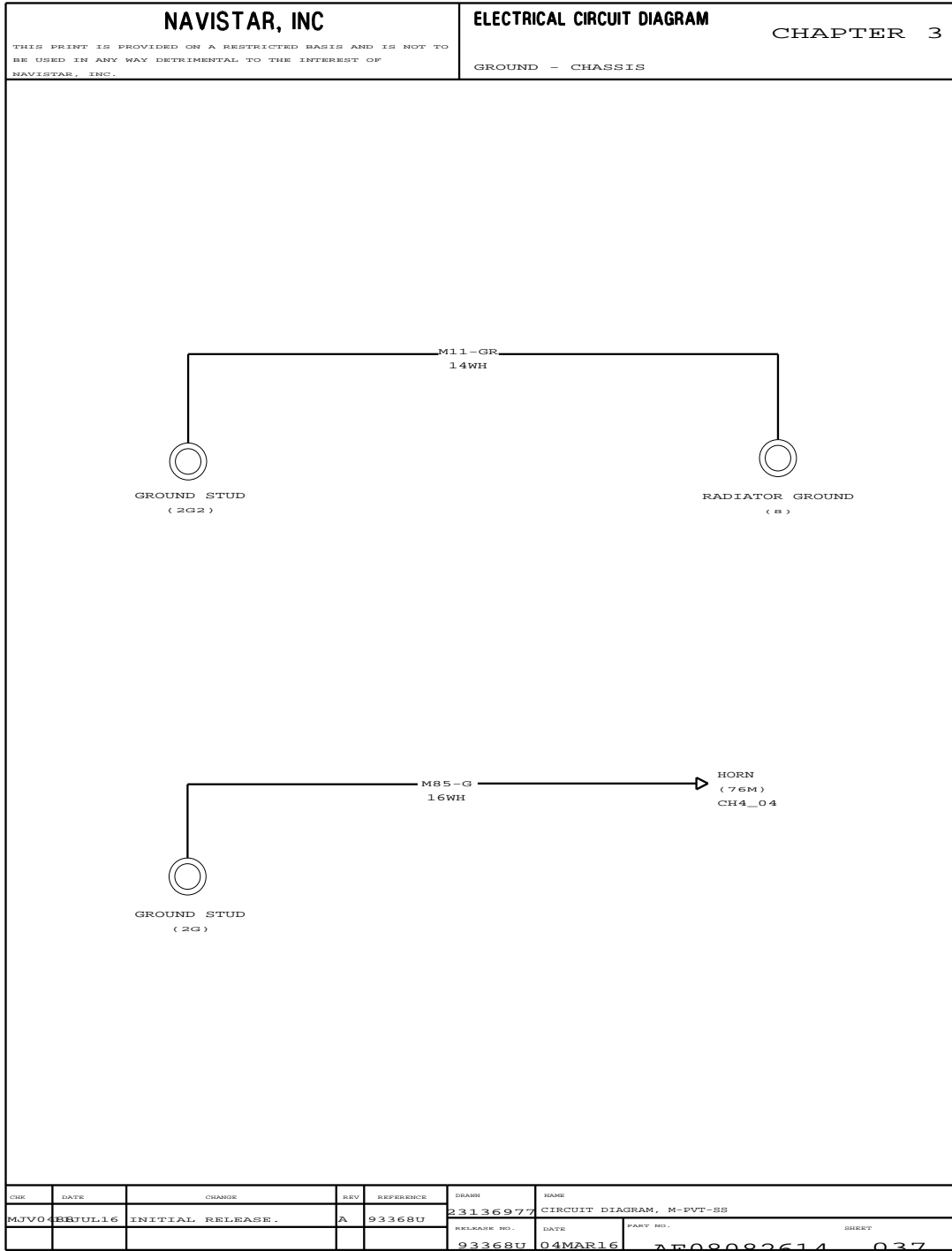


Figure 56 Ground Chassis

3.40. GROUND – CHASSIS (CONT.), P. 38

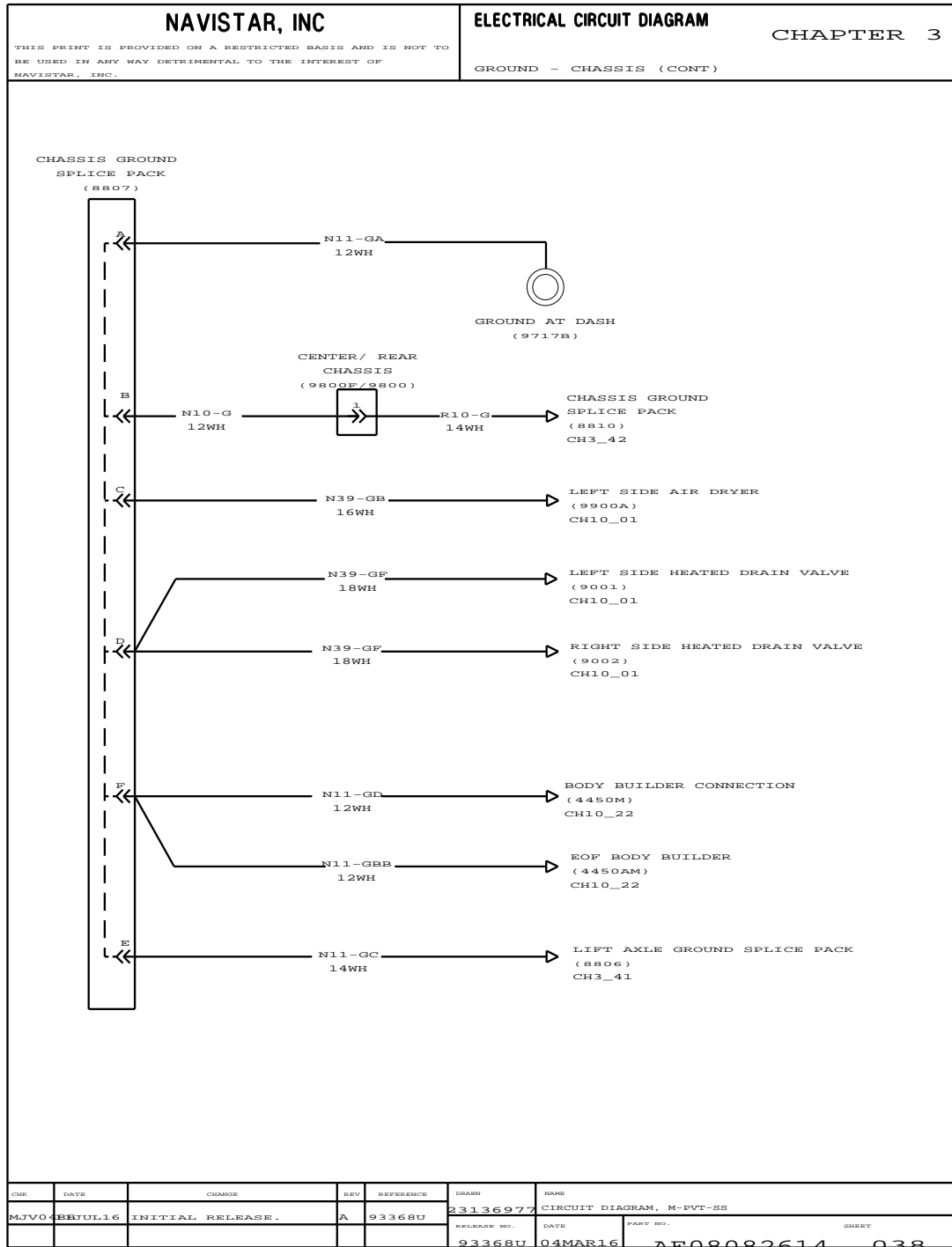


Figure 57 Ground – Chassis (Cont.)

3.41. GROUND – CHASSIS (CONT.), P. 39

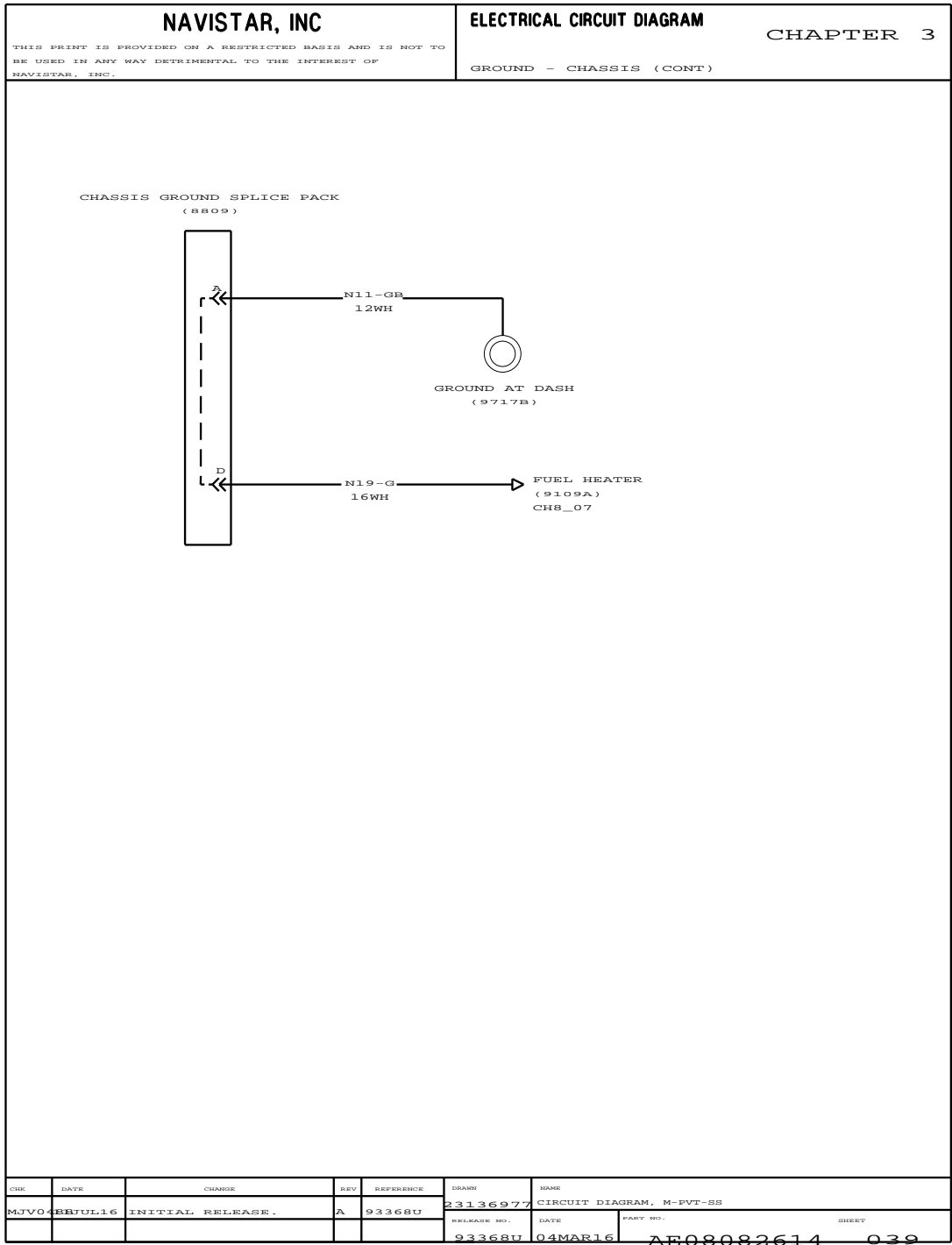
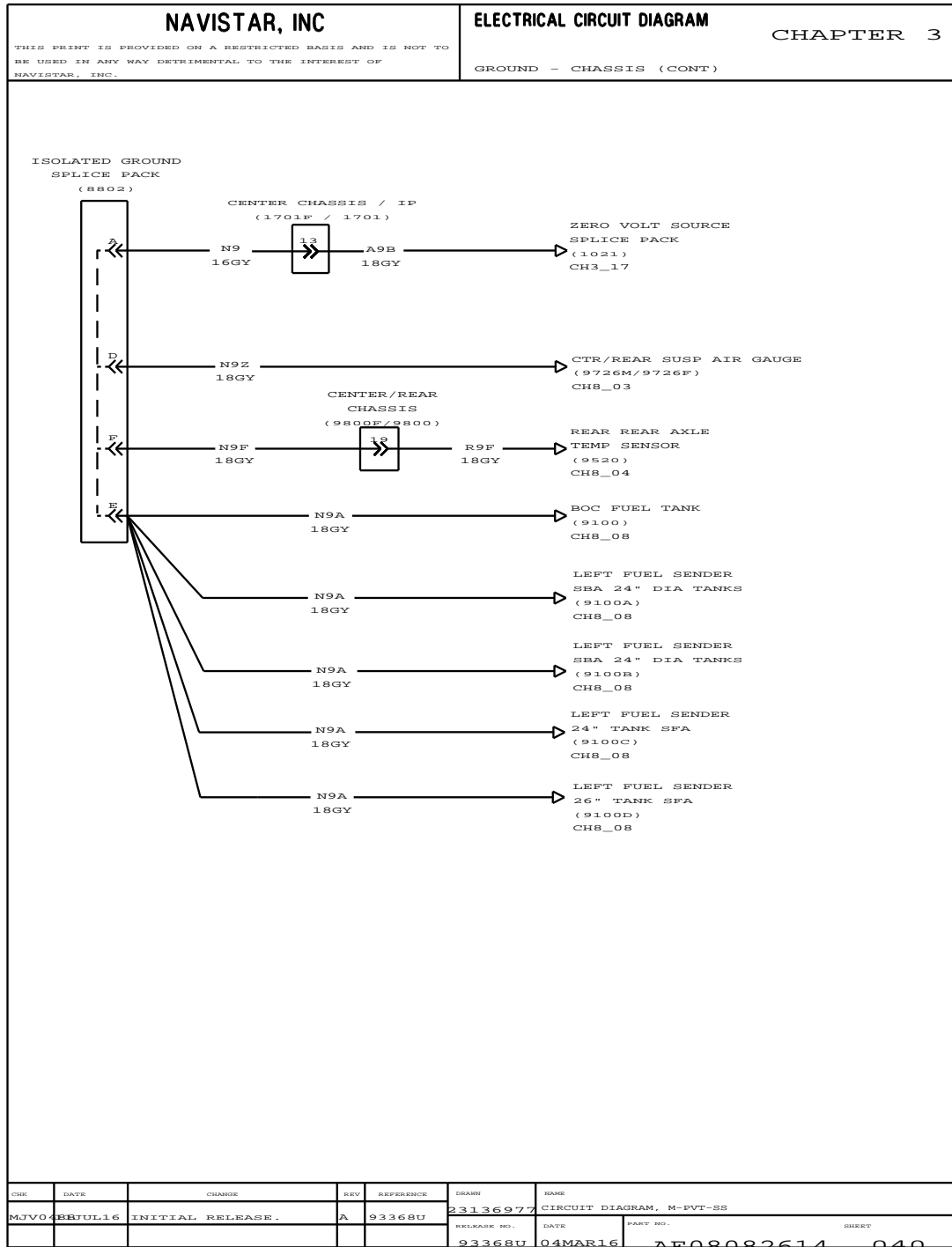


Figure 58 Ground – Chassis (Cont.)

3.42. GROUND – CHASSIS (CONT.), P. 40



3.43. GROUND – CHASSIS (CONT.), P. 41

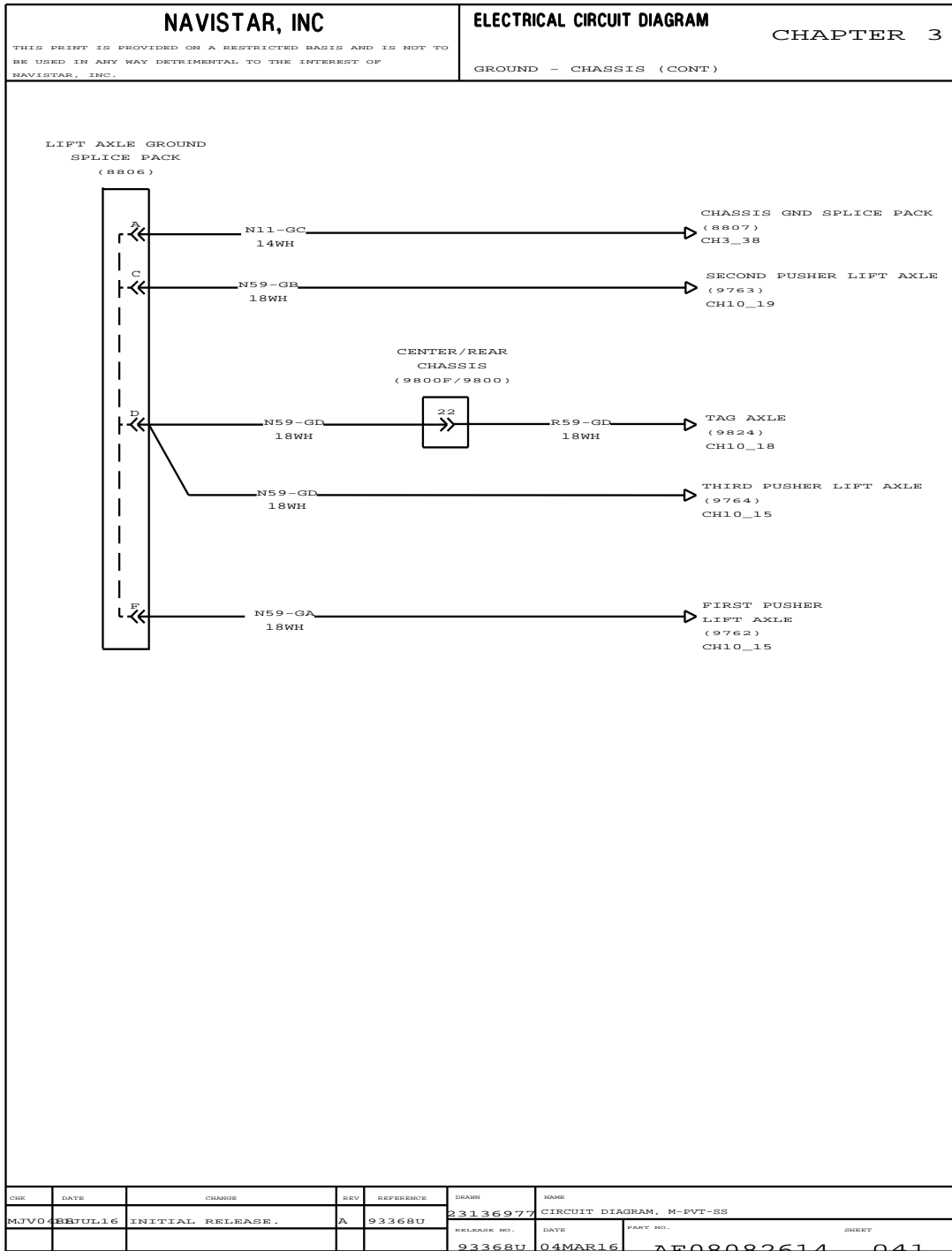


Figure 60 Ground – Chassis (Cont.)

3.44. GROUND – CHASSIS (CONT.), P. 42

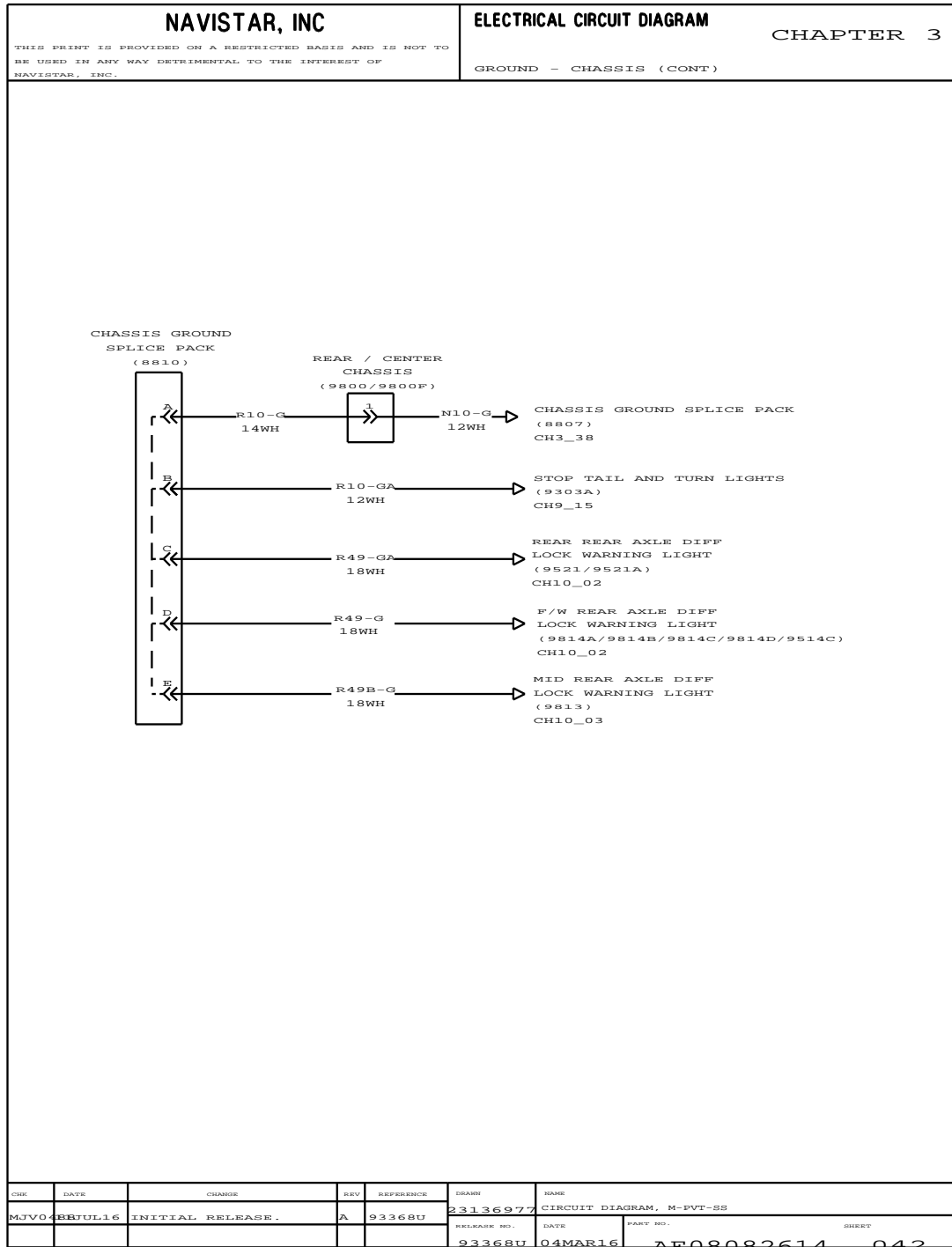


Figure 61 Ground – Chassis (Cont.)

3.45. ECM 5V AND OV SPLICE WITH N13 ENGINE, P. 43

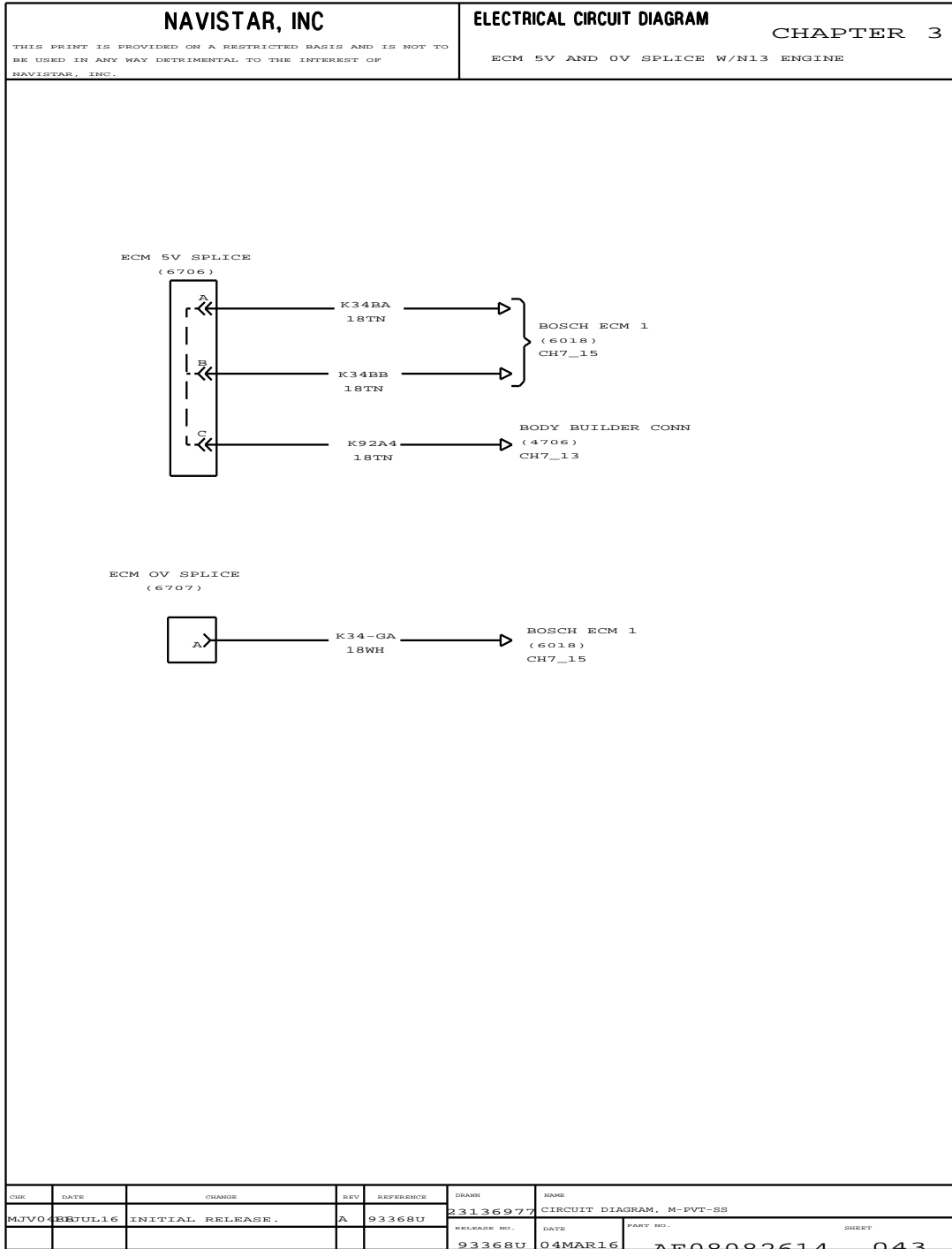


Figure 62 ECM 5V and OV Splice with N13 Engine

3.46. POWER IGNITION SPLICE, P. 44

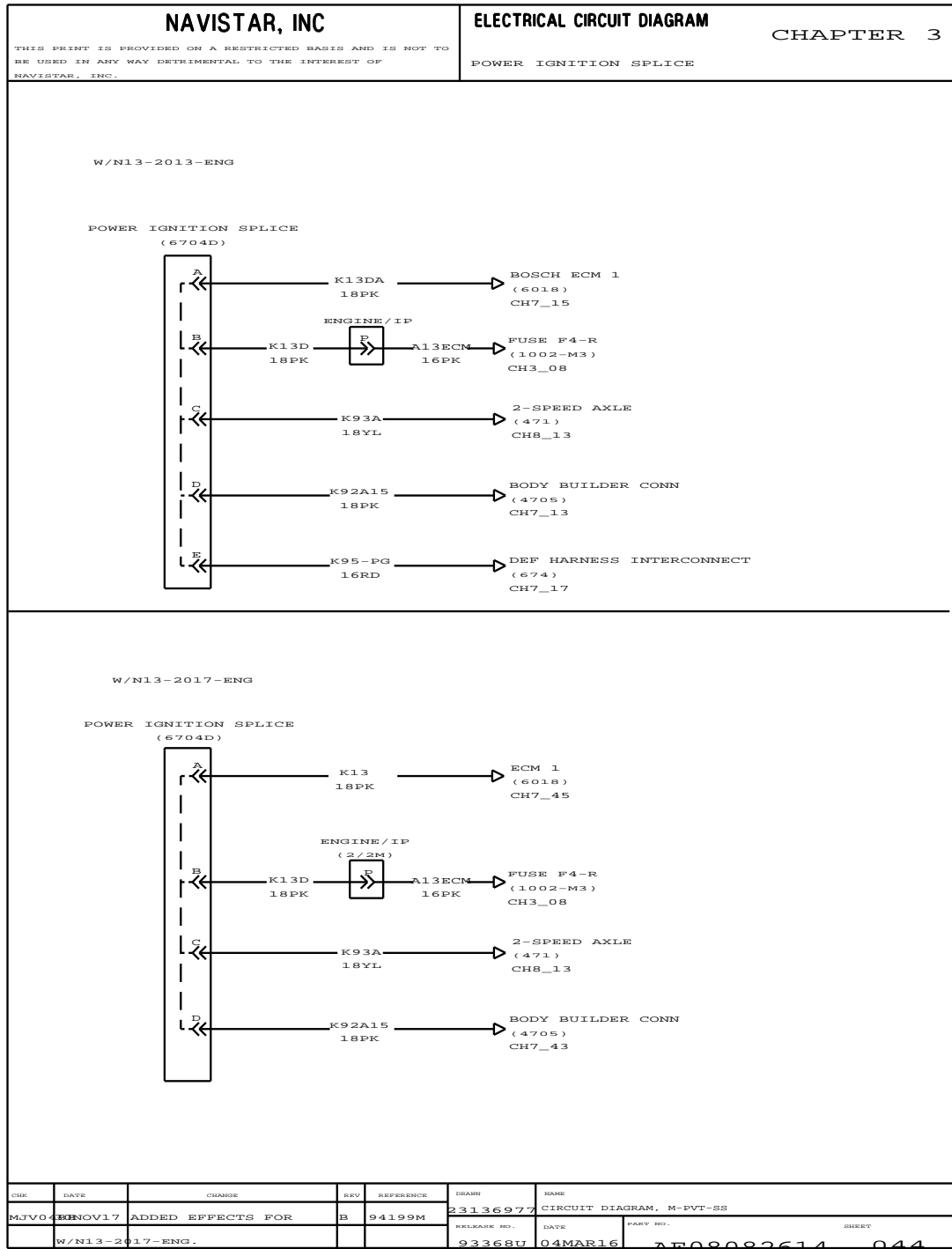


Figure 63 Power Ignition Splice

3.47. GROUND – ENGINE WITH N13, P. 45

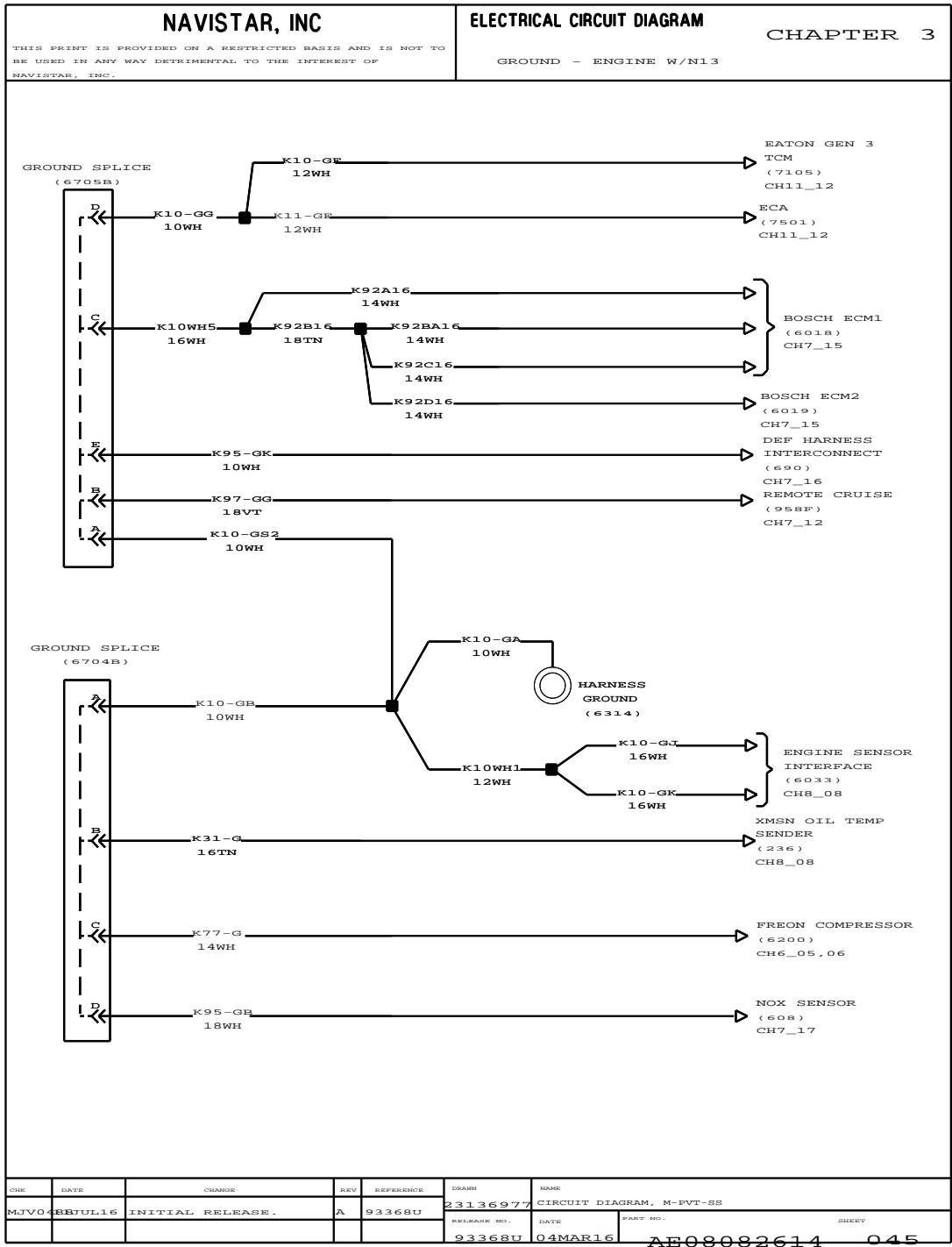


Figure 64 Ground – Engine with N13

3.48. GROUND – ENGINE WITH F-2013 ISX ENGINE, P. 46

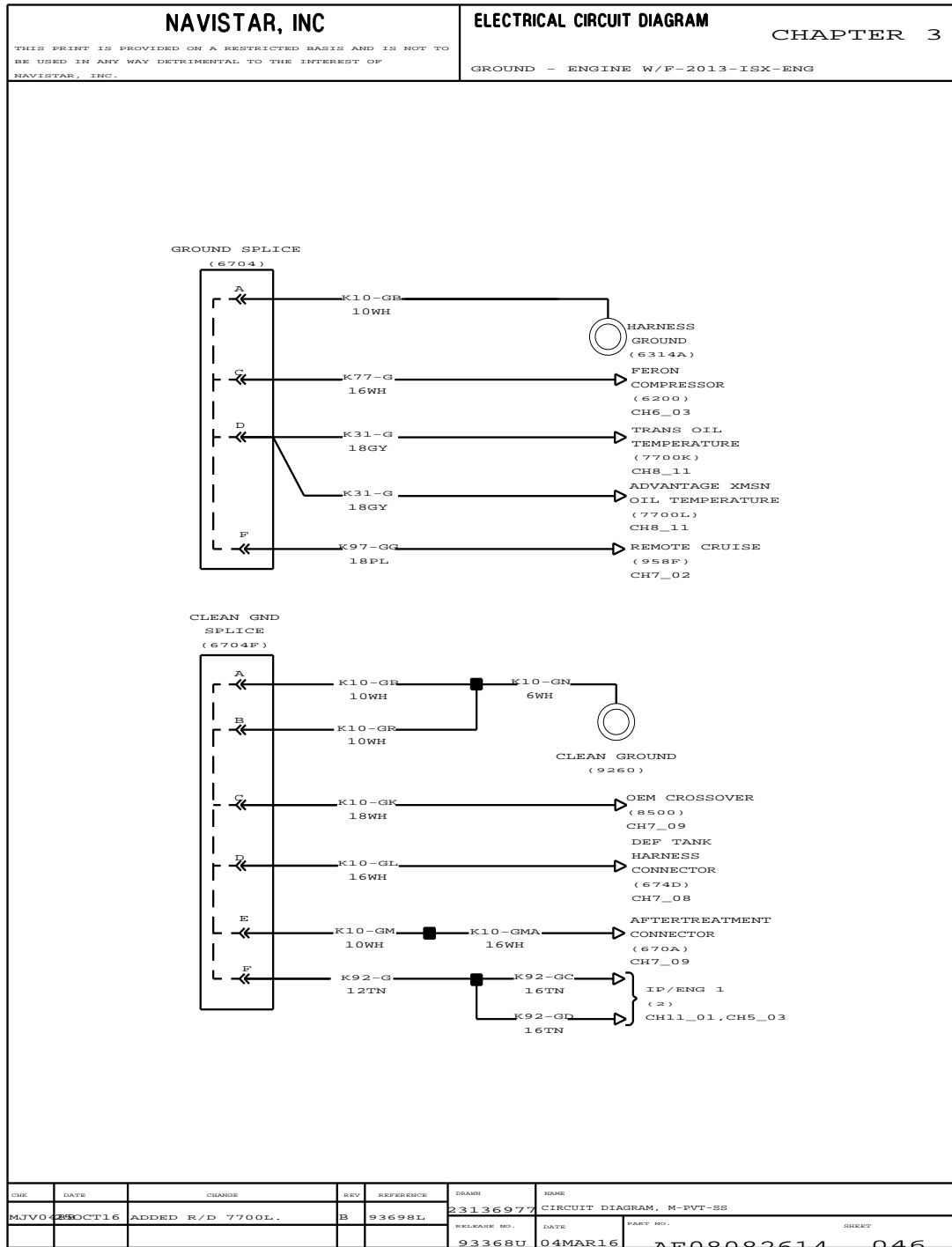


Figure 65 Ground – Engine with F-2013 ISX Engine

3.49. GROUND – ENGINE WITH F-2013 ISX ENGINE (CONT.), P. 47

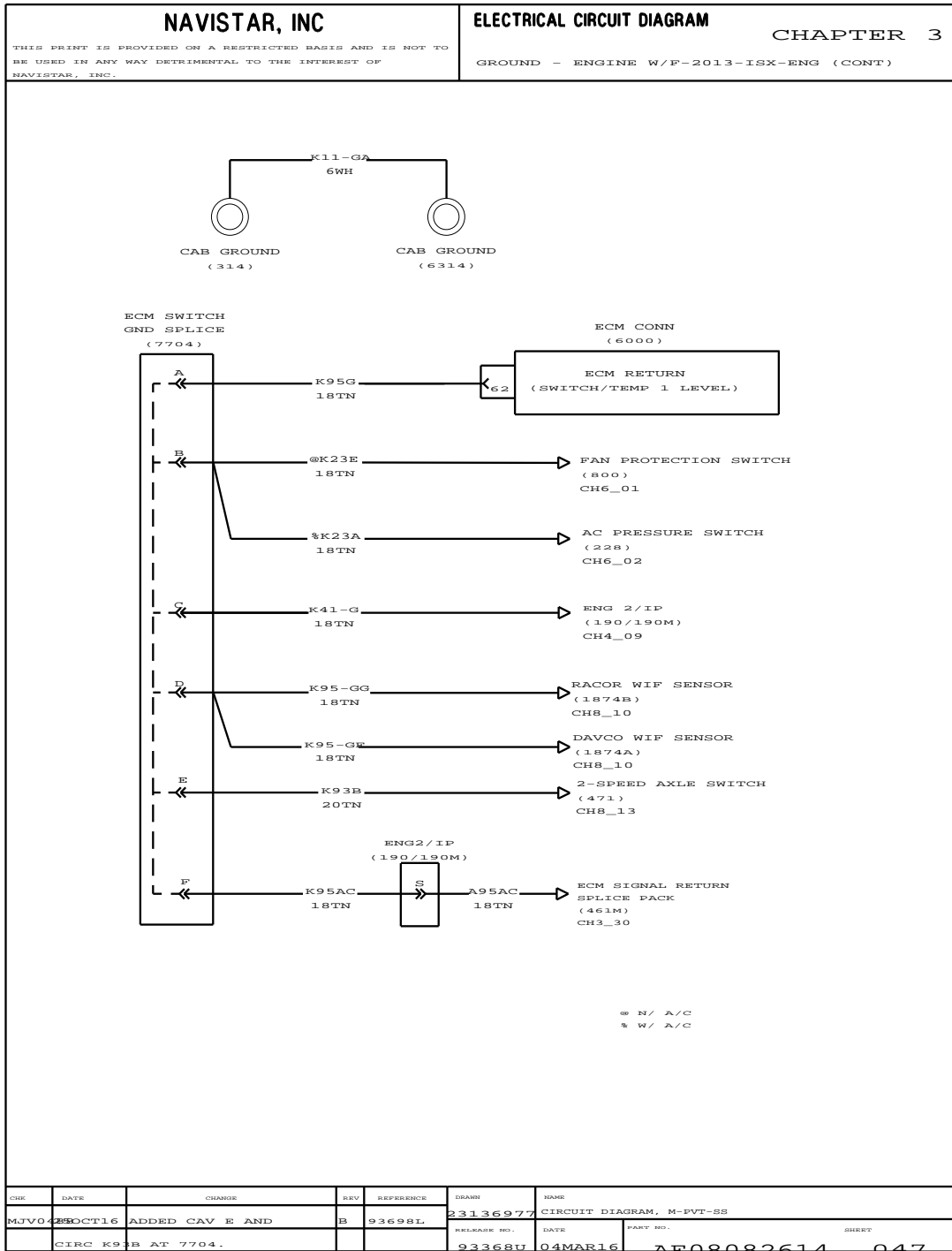


Figure 66 Ground – Engine with F-2013 ISX Engine (Cont.)

3.50. ENGINE CAB POWER, P. 48

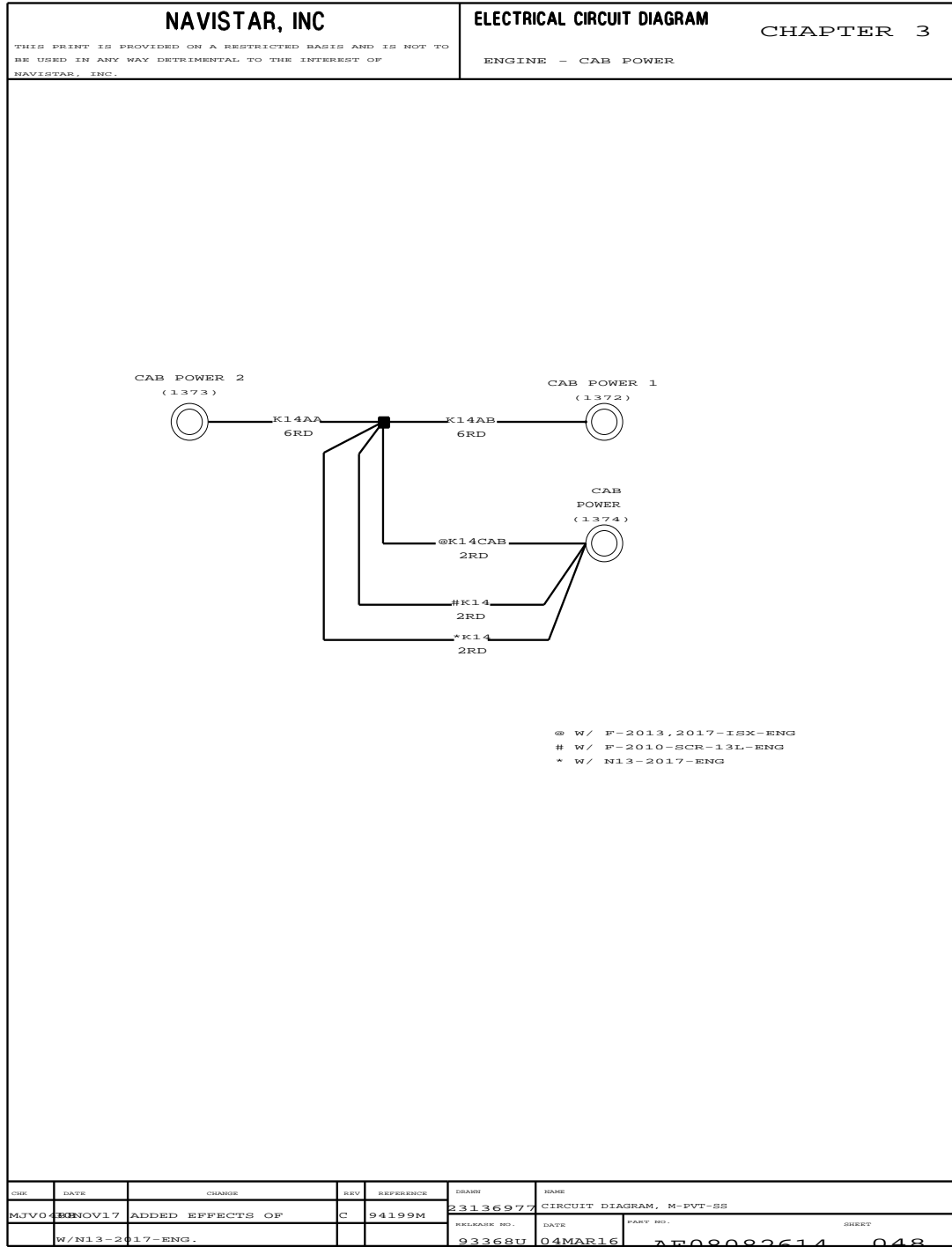


Figure 67 Engine Cab Power

3.51. GROUND – ENGINE WITH F-2017 ISX ENGINE, P. 49

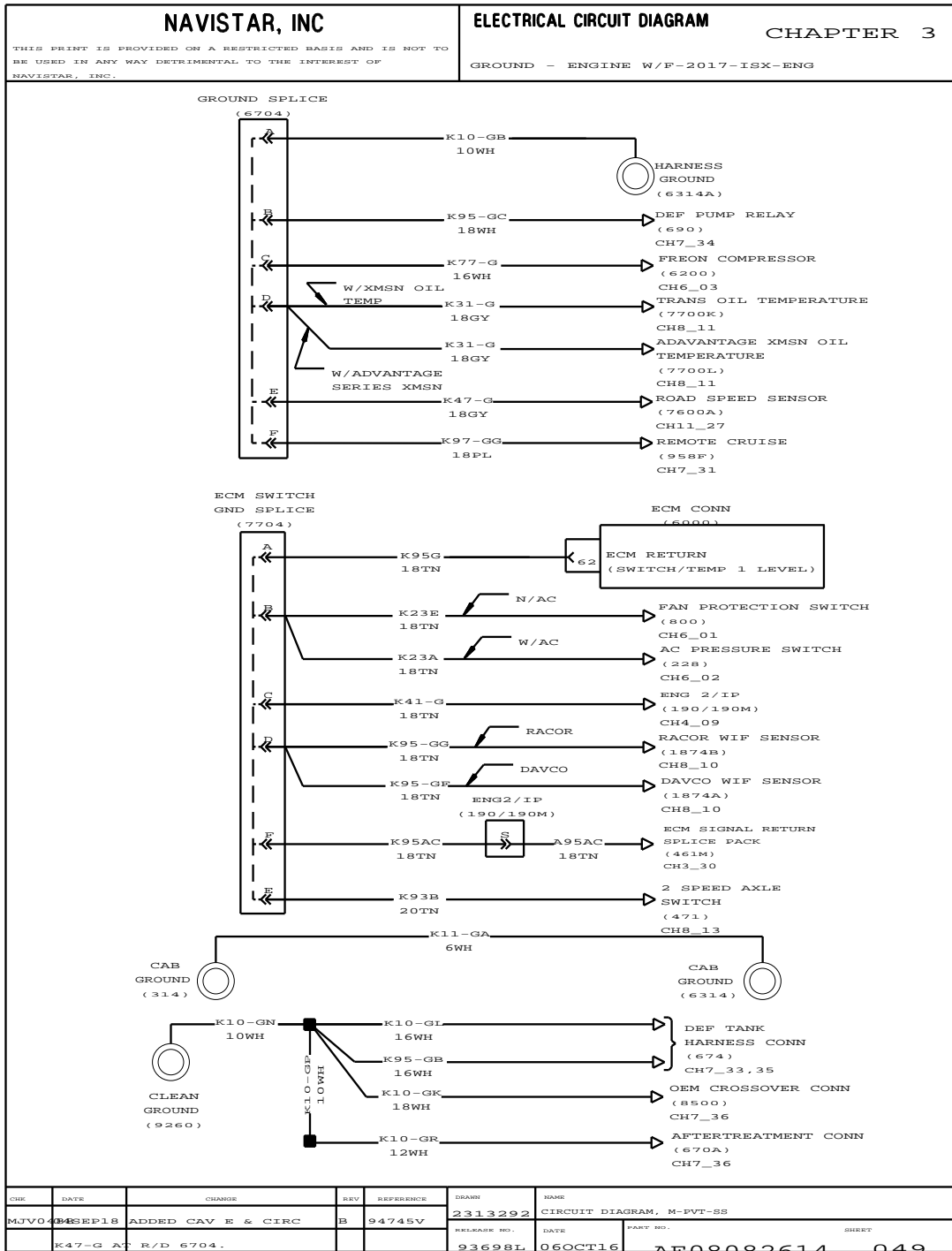


Figure 68 Ground – Engine with F-2017 ISX Engine

3.52. GROUND – SLEEPER BOX, P. 50

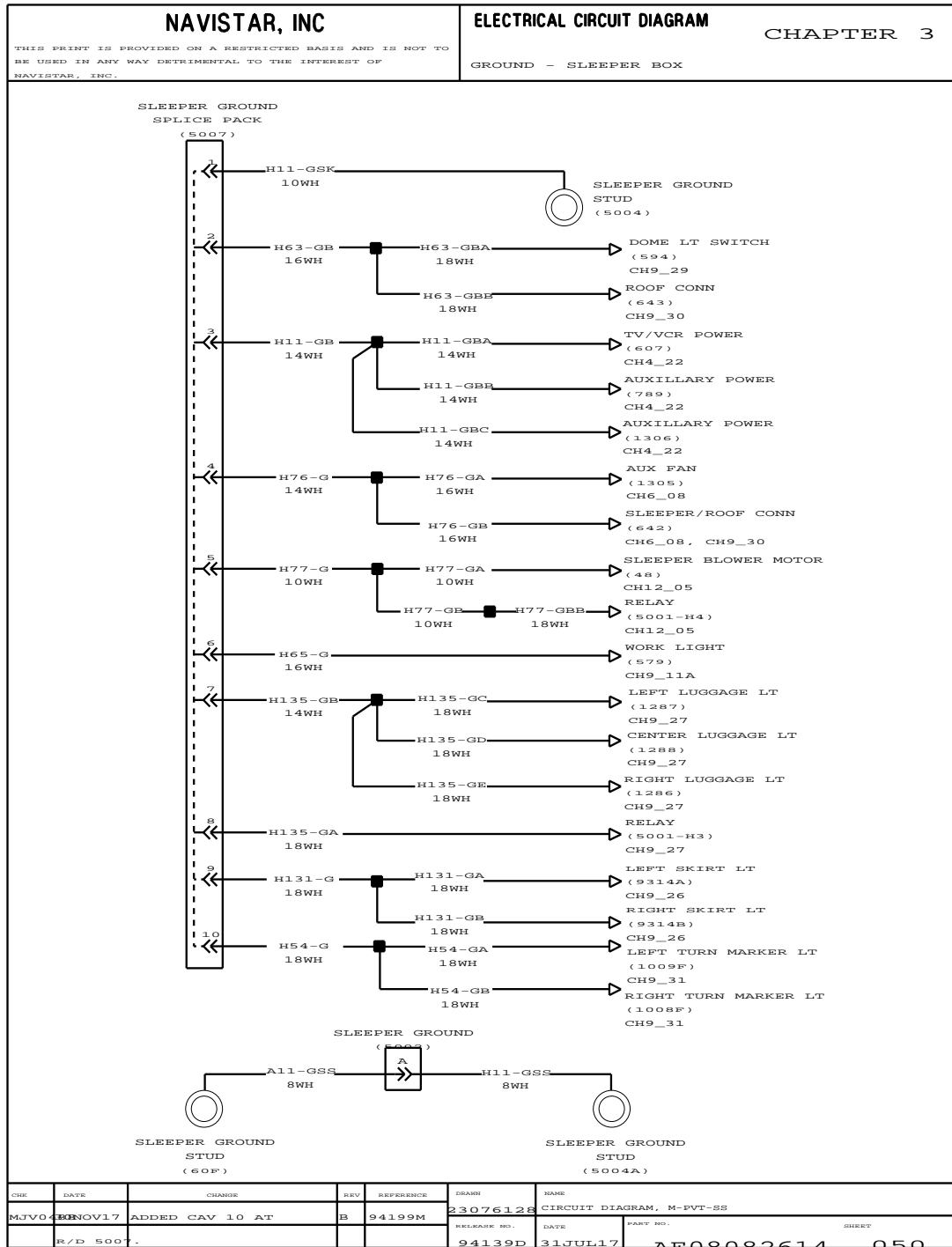


Figure 69 Ground – Sleeper Box

3.53. ECM 0V & 5V SPLICE WITH N13 2017 ENGINE, P. 51

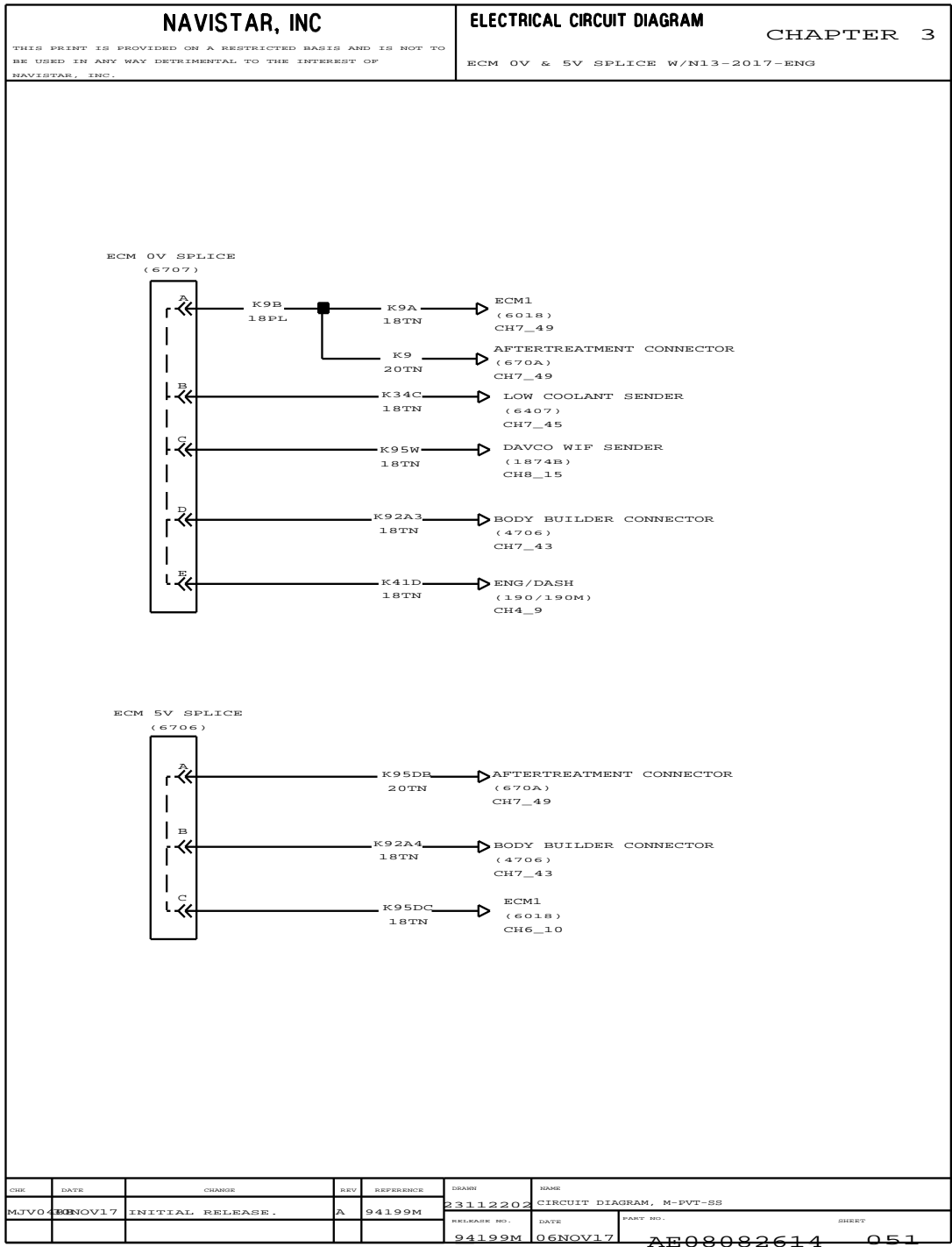


Figure 70 ECM 0V & 5V Splice with N13 2017 Engine

3.54. GROUND ENGINE N13 2017 ENGINE, P. 52

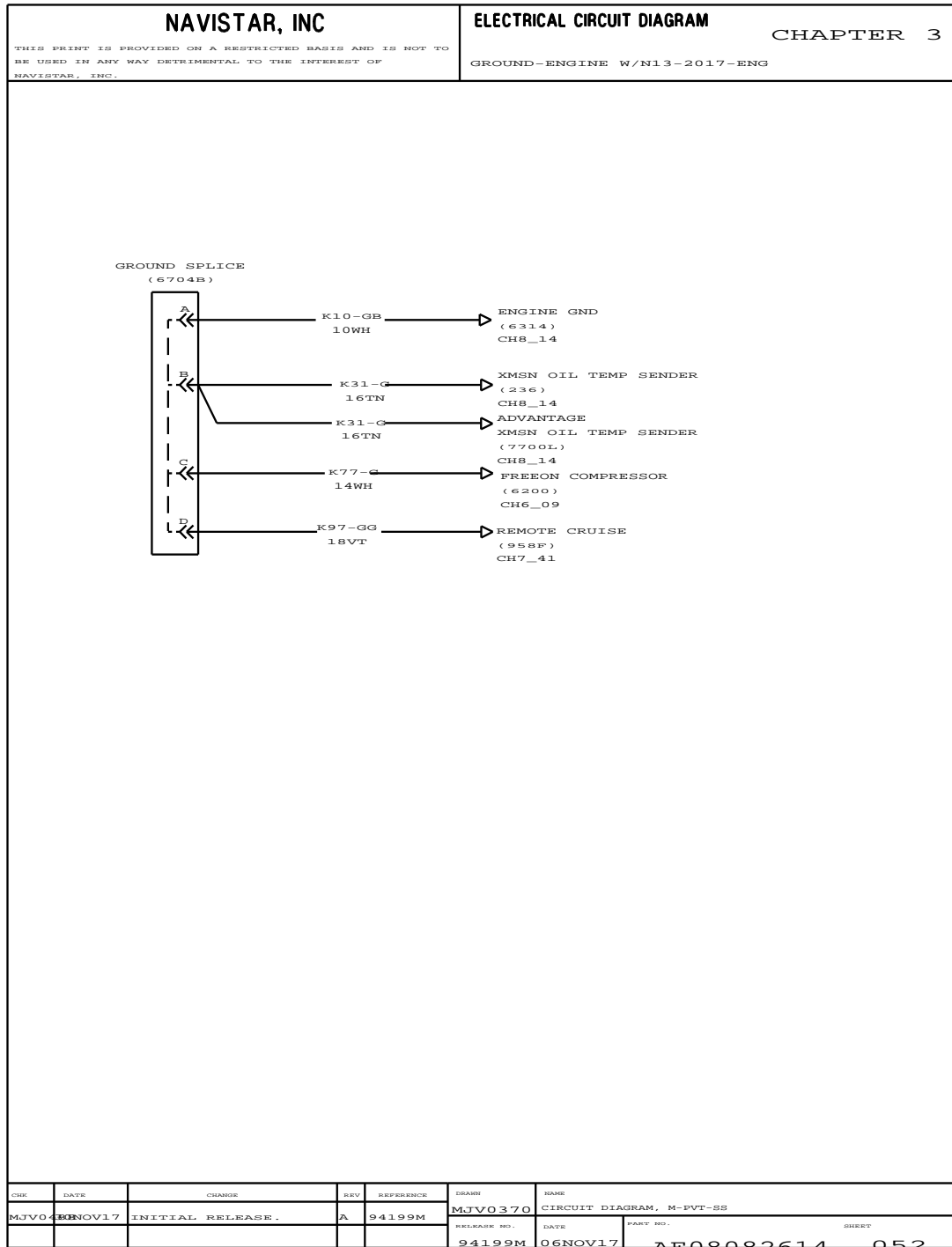


Figure 71 Ground Engine N13 2017 Engine

3.55. GROUND ENGINE N13 2017 ENGINE (CONT.), P. 53

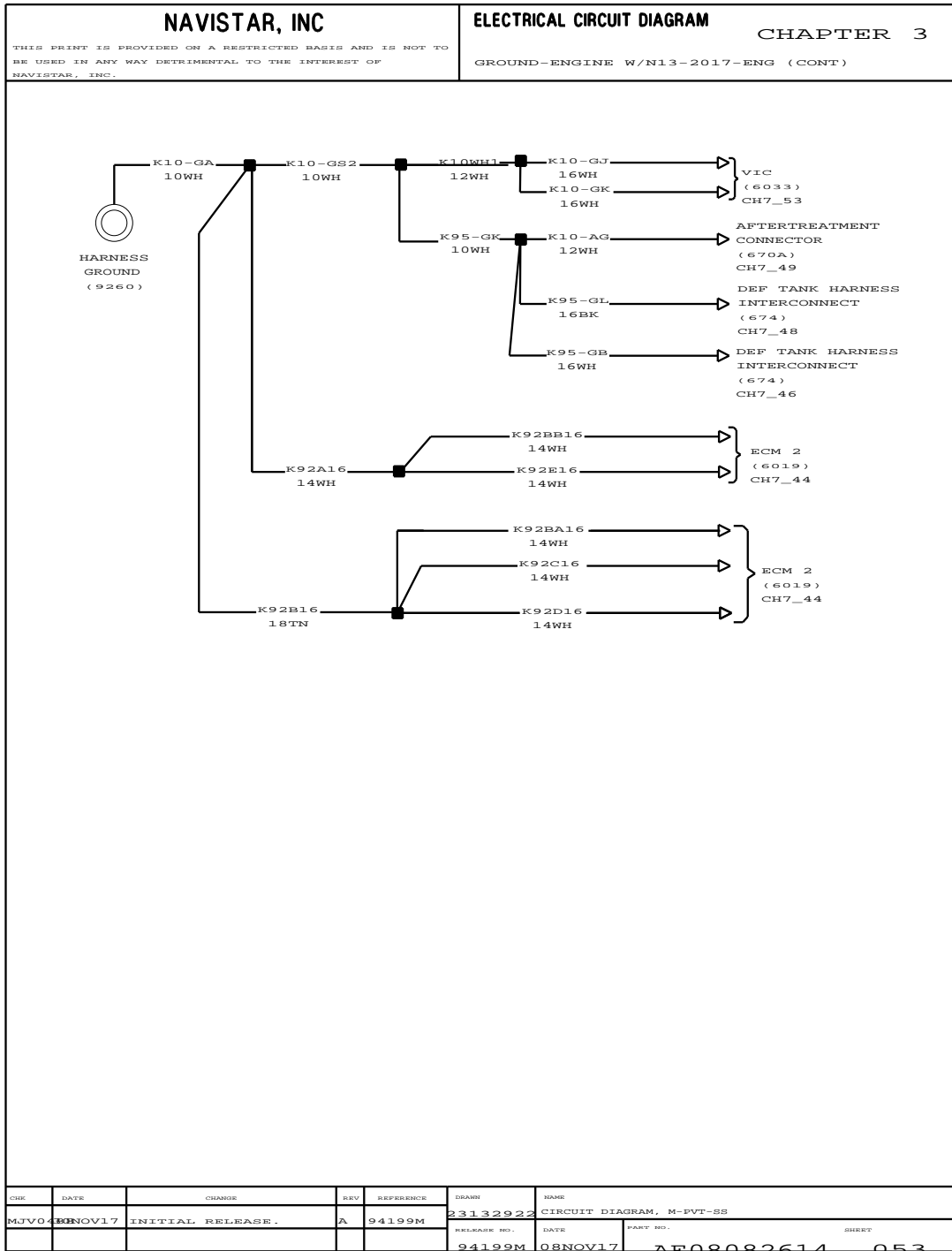


Figure 72 Ground Engine N13 2017 Engine (Cont.)

3.56. EFFECTS OF AUXILIARY SWITCHES W / 10 WITH ACCESSORY, P. 54

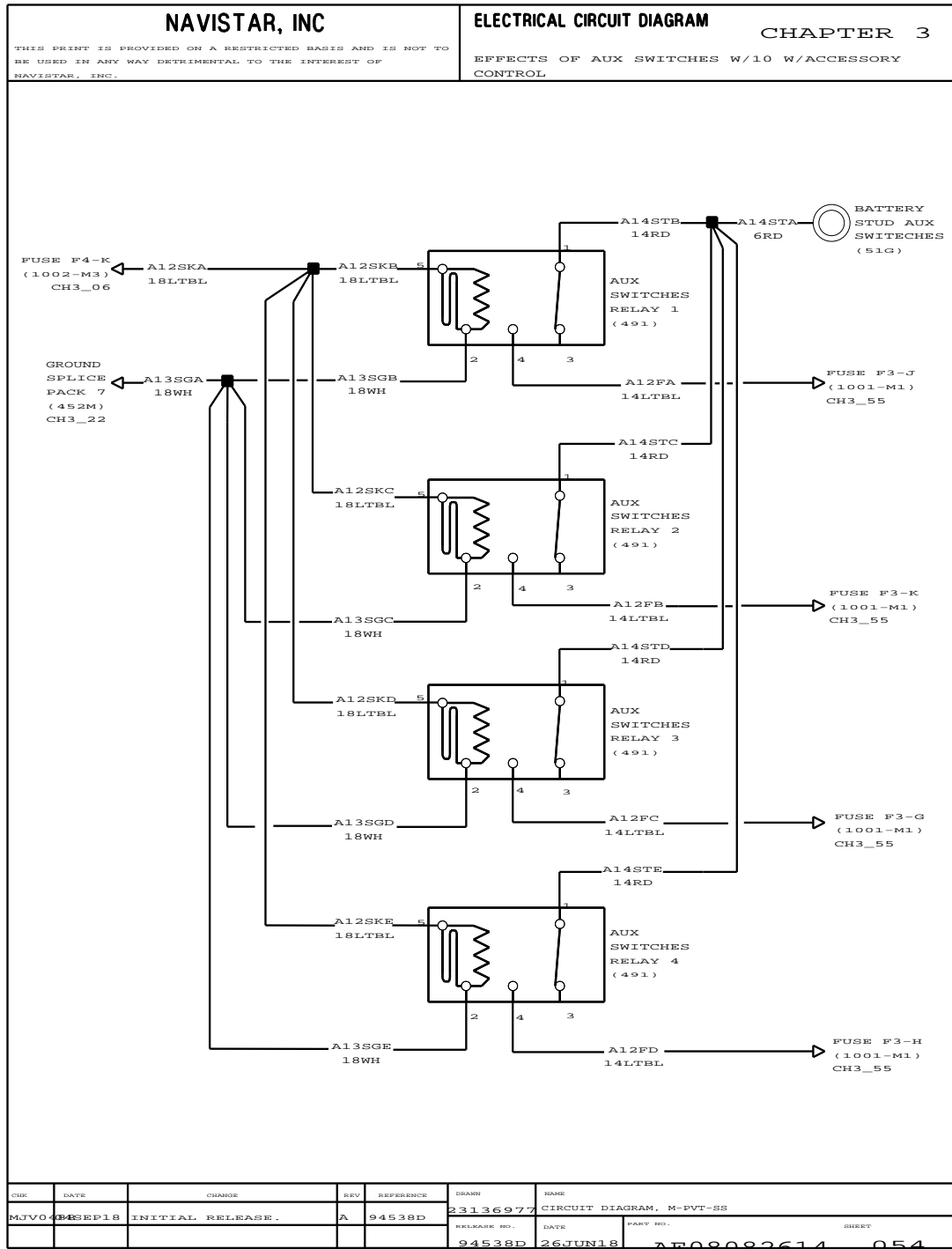


Figure 73 Effects of Auxiliary Switches w / 10 with Accessory

3.57. EFFECTS OF AUXILIARY SWITCHES W / 10 WITH ACCESSORY (CONT.), P. 55

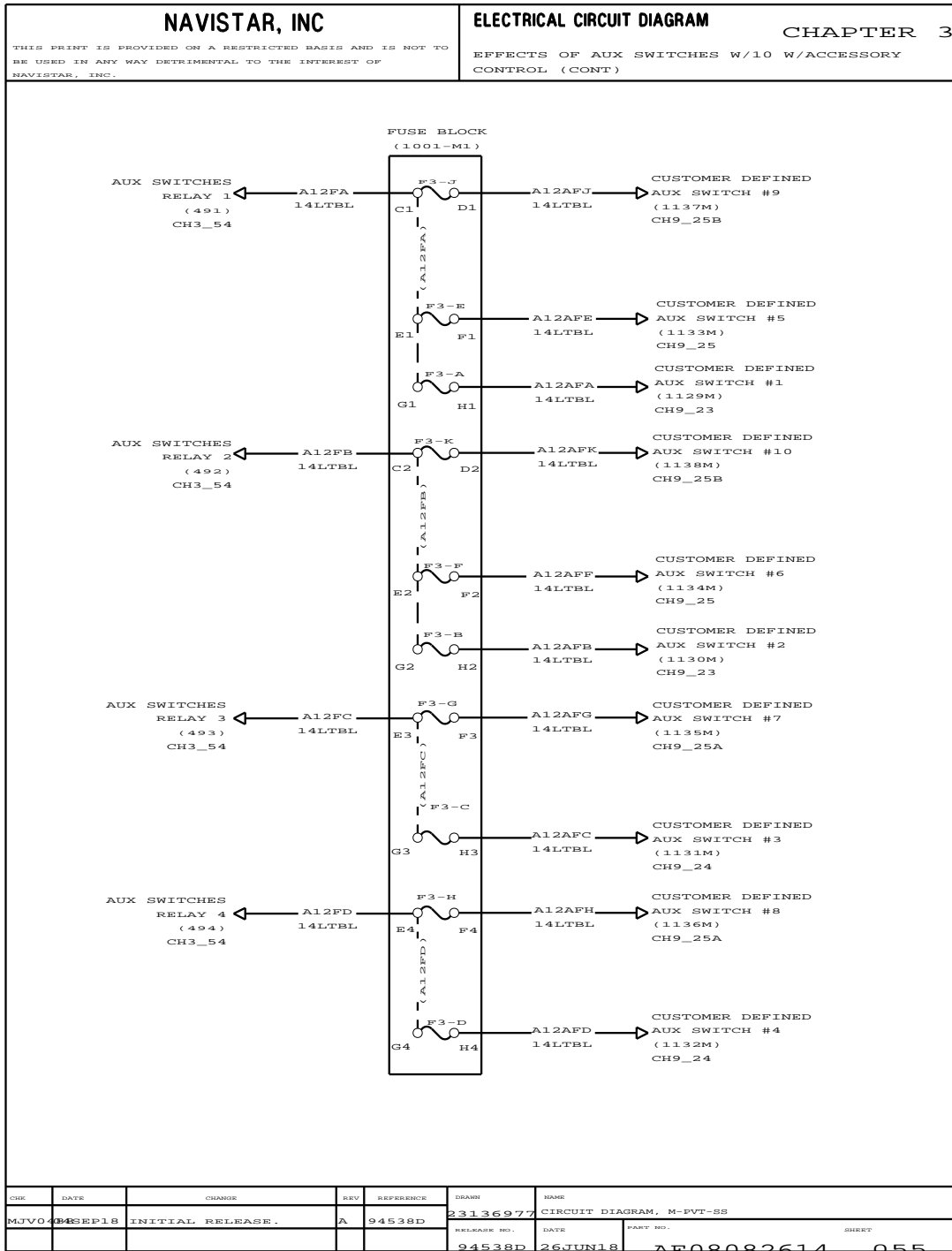
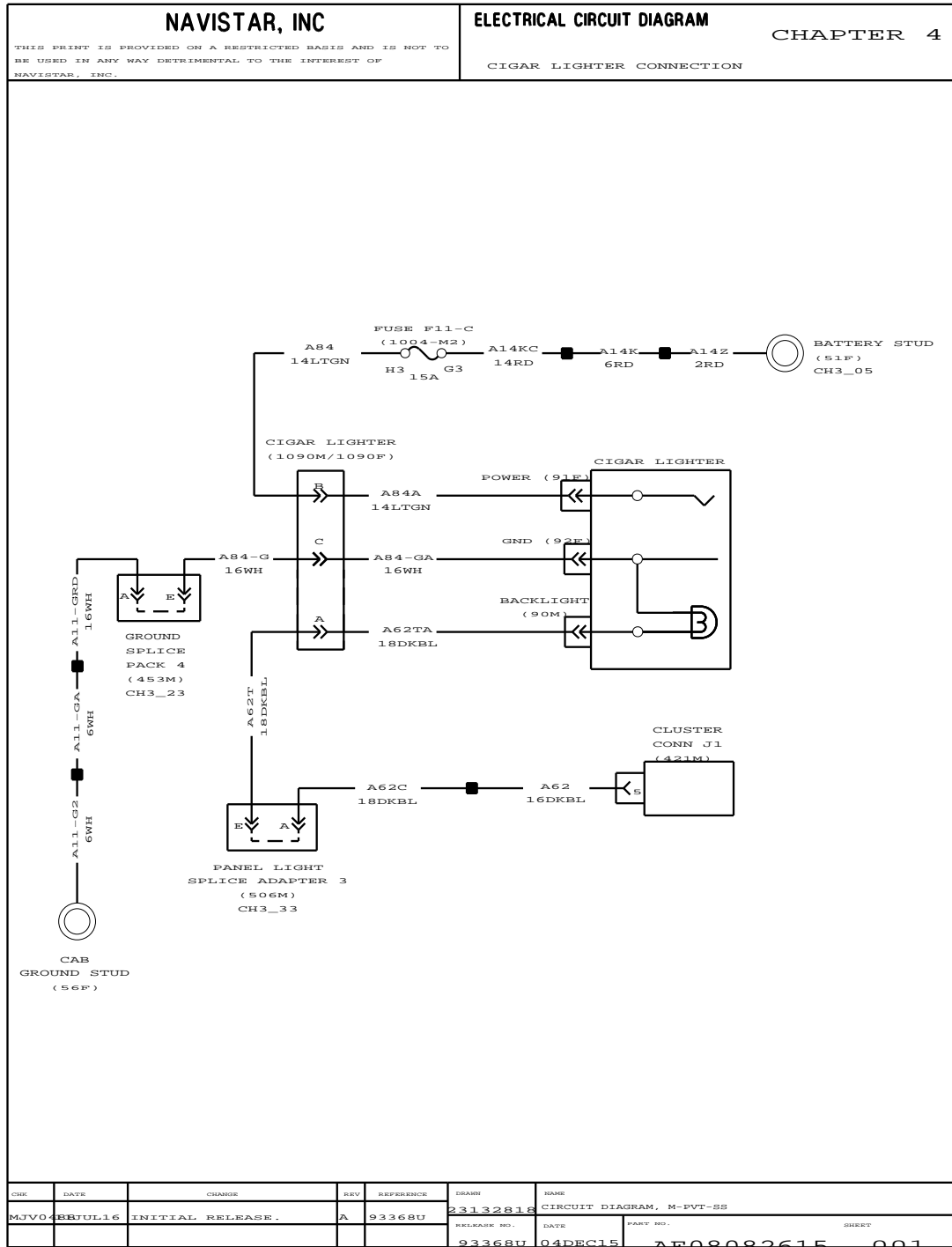


Figure 74 Effects of Auxiliary Switches w / 10 with Accessory (Cont.)

CAB ACCESSORIES (CHAPTER 4)

4.1. CIGAR LIGHTER CONNECTION, P. 1



4.2. RECEPTACLE AND 2 POST POWER SOURCE, P. 2

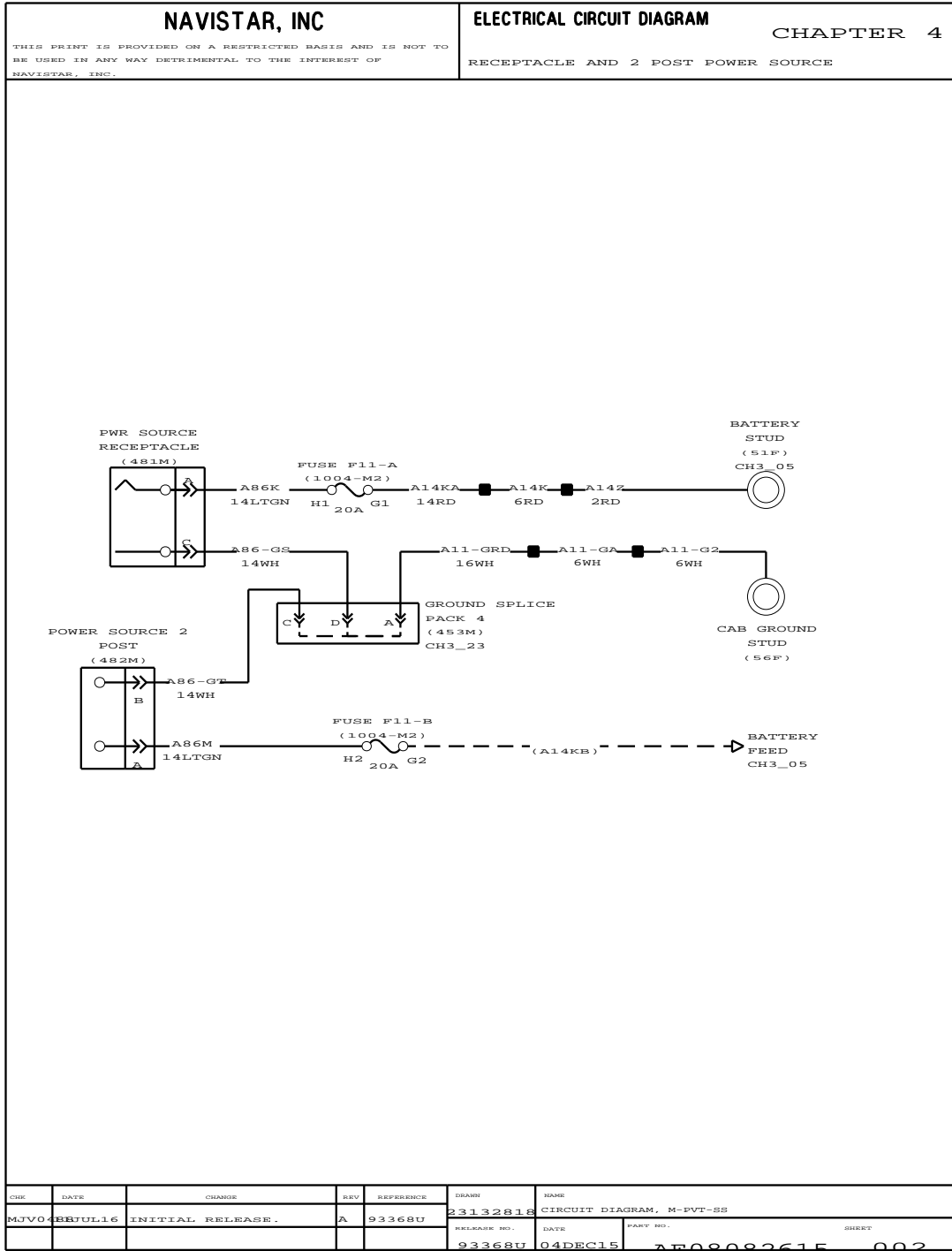


Figure 76 Receptacle and 2 Post Power Source

4.3. ELECTRIC WINDOW – RIGHT AND LEFT, P. 3

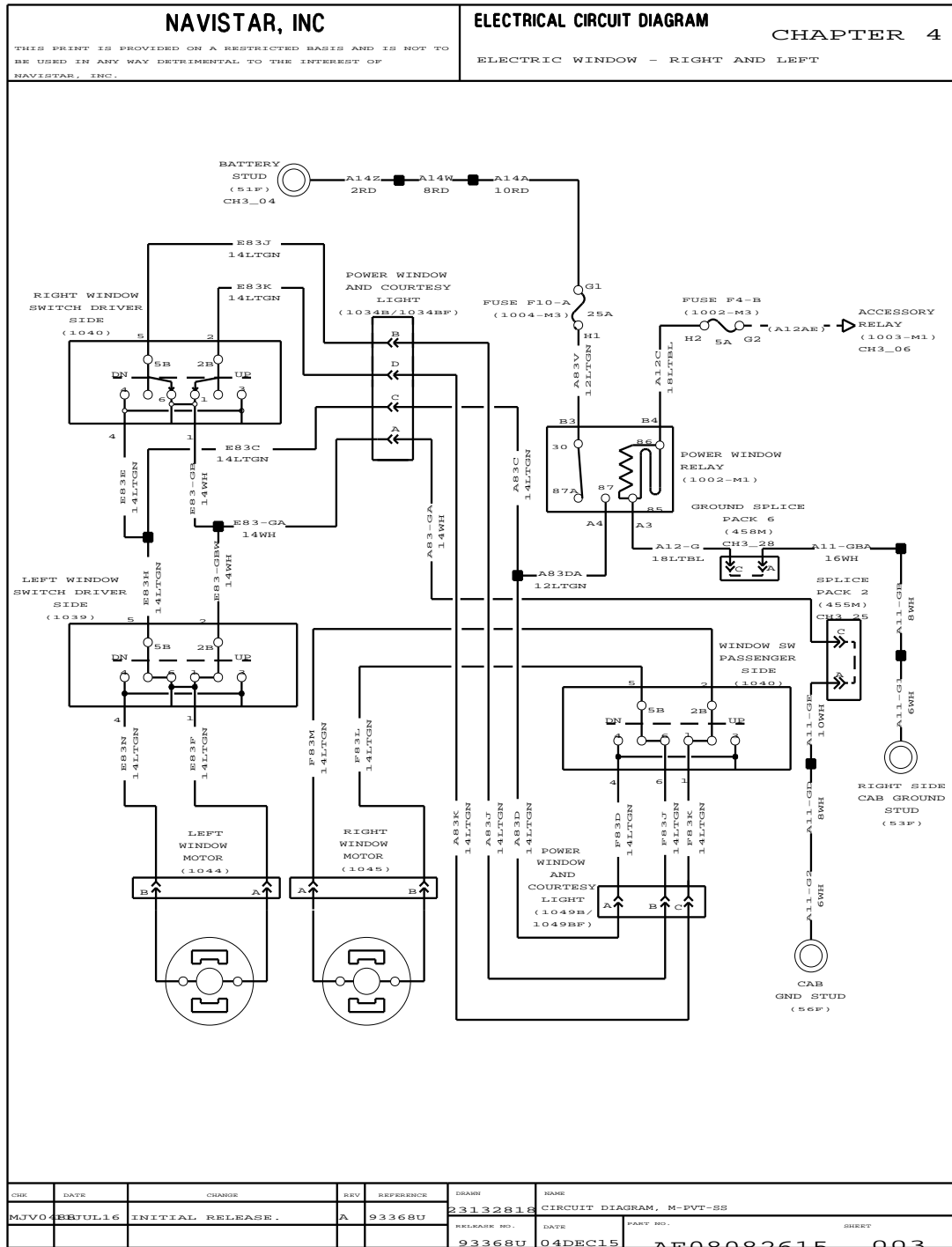


Figure 77 Electric Window – Right and Left

4.4. KEYLESS ENTRY WITH HORN WIRING, P. 4

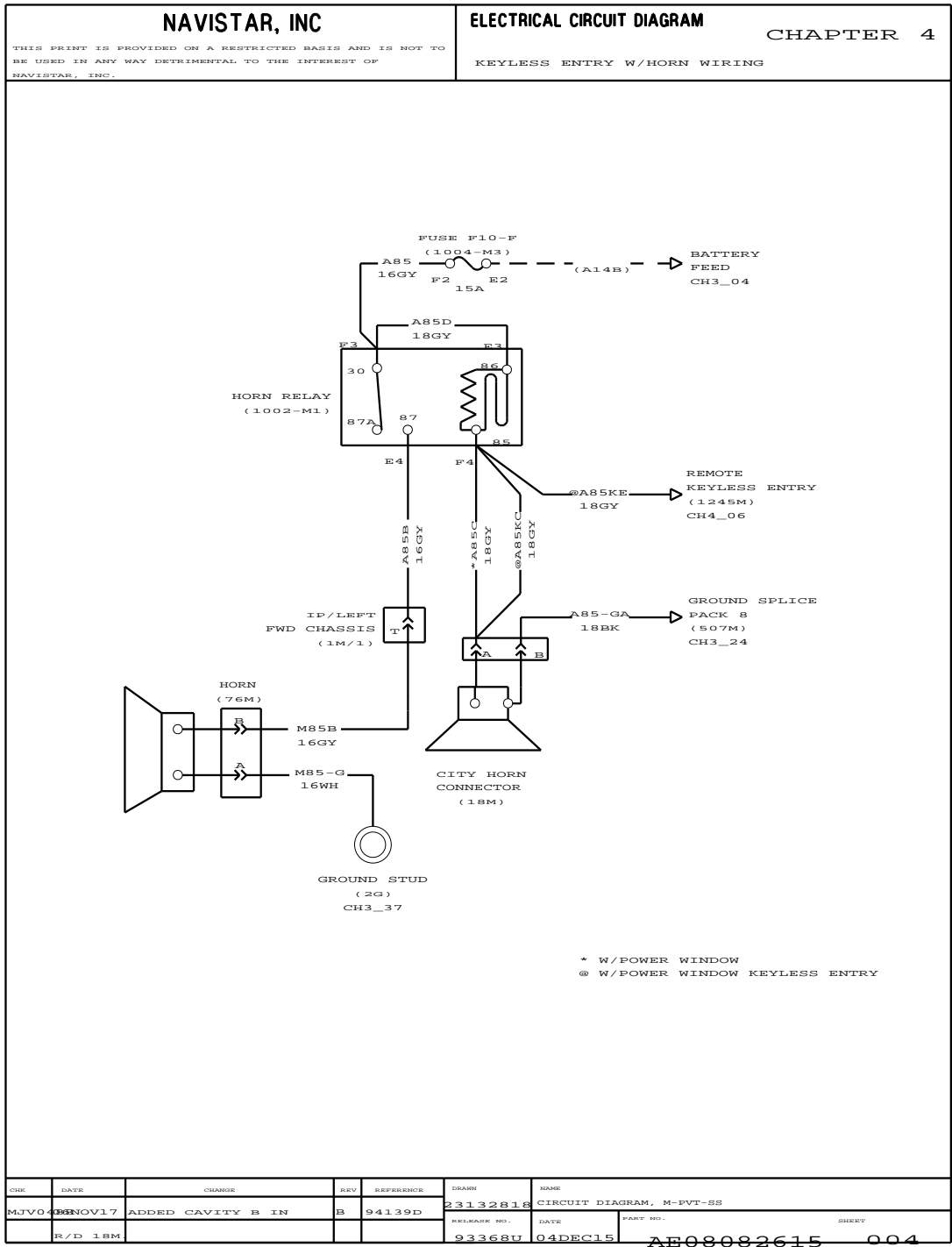


Figure 78 Keyless Entry with Horn Wiring

4.5. ELECTRIC LOCK – RIGHT AND LEFT WITH POWER WINDOW, P. 5

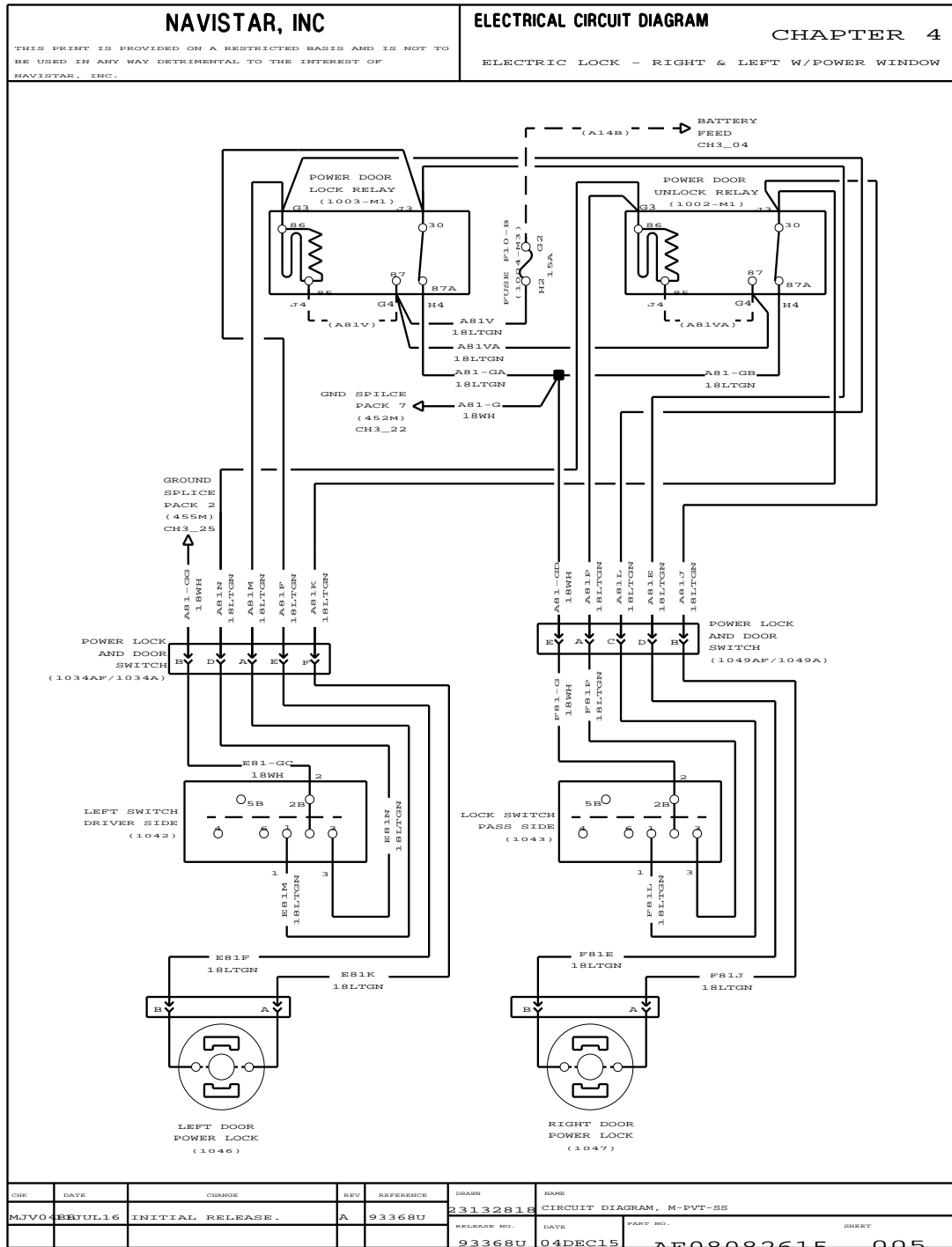


Figure 79 Electric Lock – Right and Left with Power Window

4.6. ELECTRIC LOCK – RIGHT AND LEFT WITH POWER WINDOW WITH REMOTE KEYLESS ENTRY, P. 6

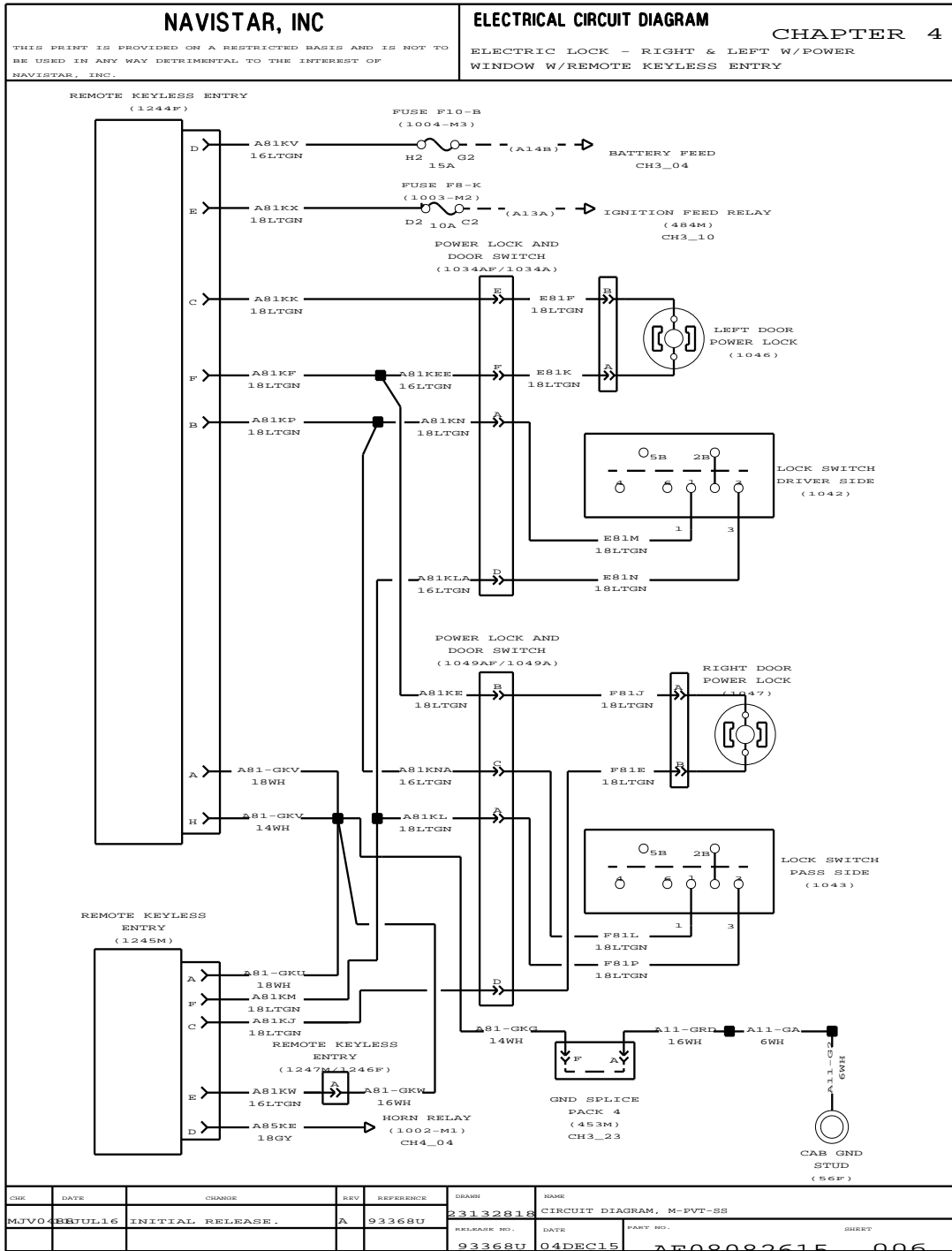


Figure 80 Electric Lock – Right and Left with Power Window with Remote Keyless Entry

4.7. HEATED, POWER WITH MIRRORS LIGHT, P. 7

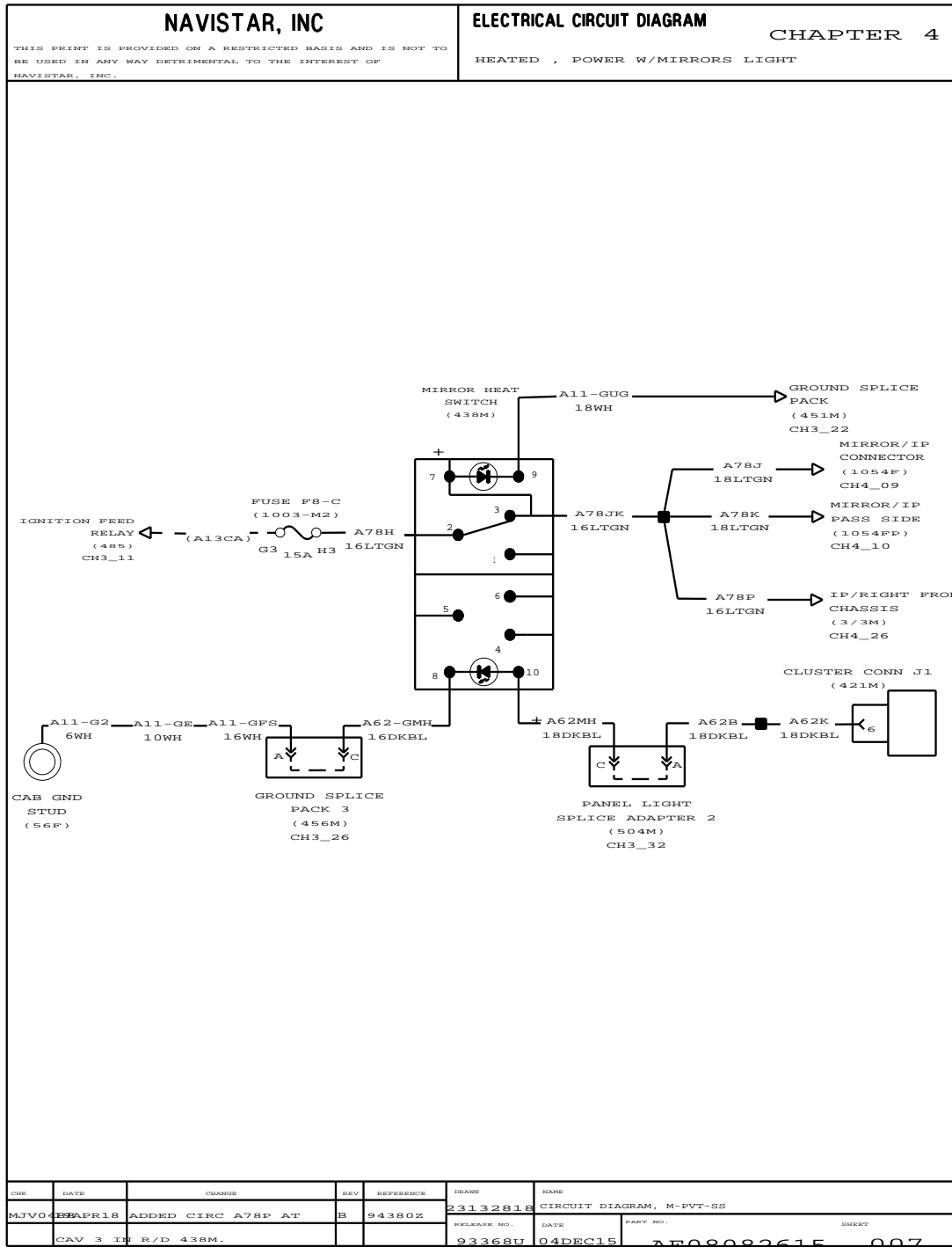


Figure 81 Heated, Power with Mirrors Light

4.8. HEATED, POWER WITH MIRRORS LIGHT (CONT.), P. 8

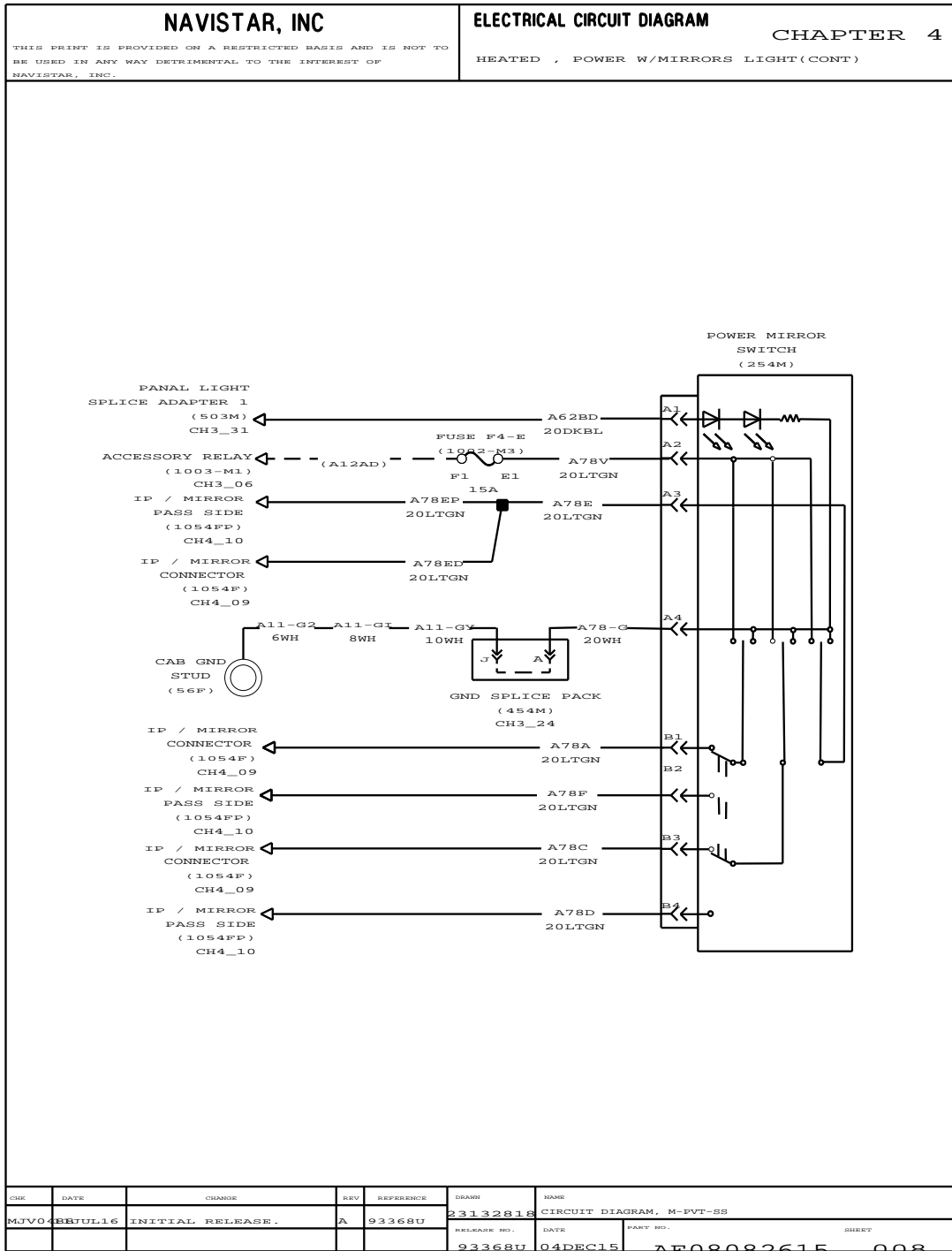


Figure 82 Heated, Power with Mirrors Light (Cont.)

4.9. HEATED, POWER WITH MIRRORS LIGHT WITH AMBIENT AIR TEMPERATURE (AAT), P. 9

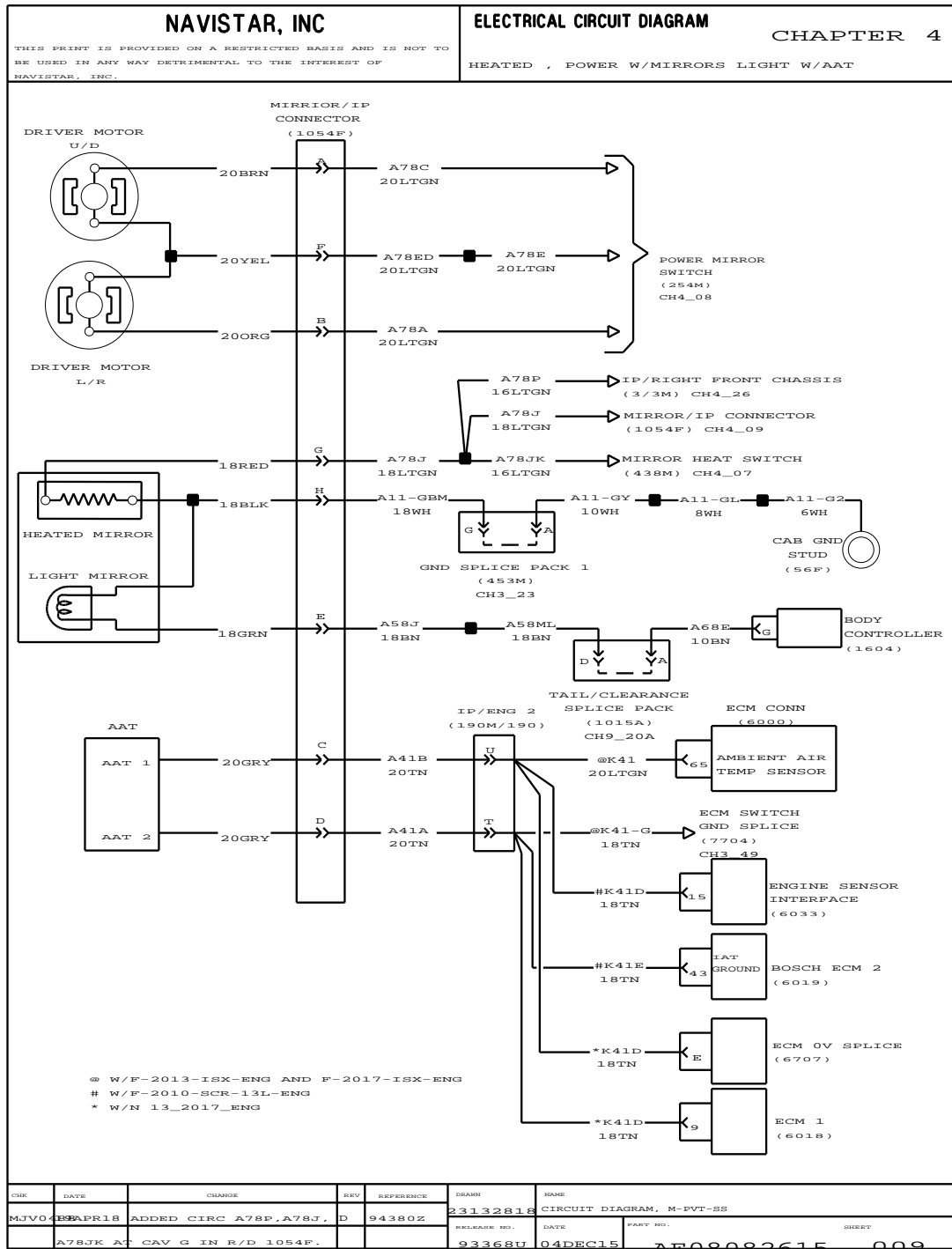


Figure 83 Heated, Power with Mirrors Light with Ambient Air Temperature (AAT)

4.10. HEATED, POWER WITH MIRRORS LIGHT, P. 10

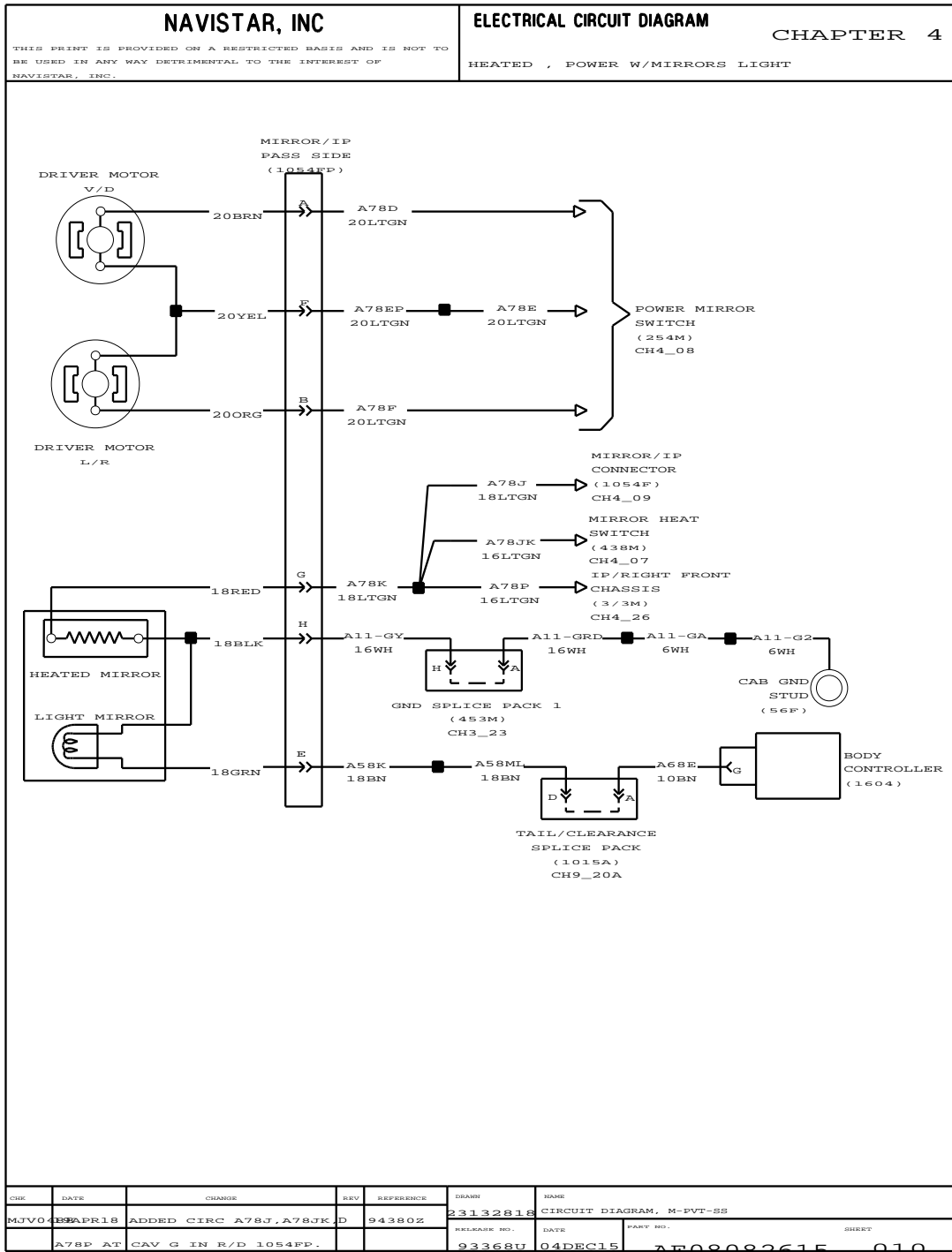


Figure 84 Heated, Power with Mirrors Light

4.11. HEATED DRIVER AND PASSENGER SEAT, P. 11

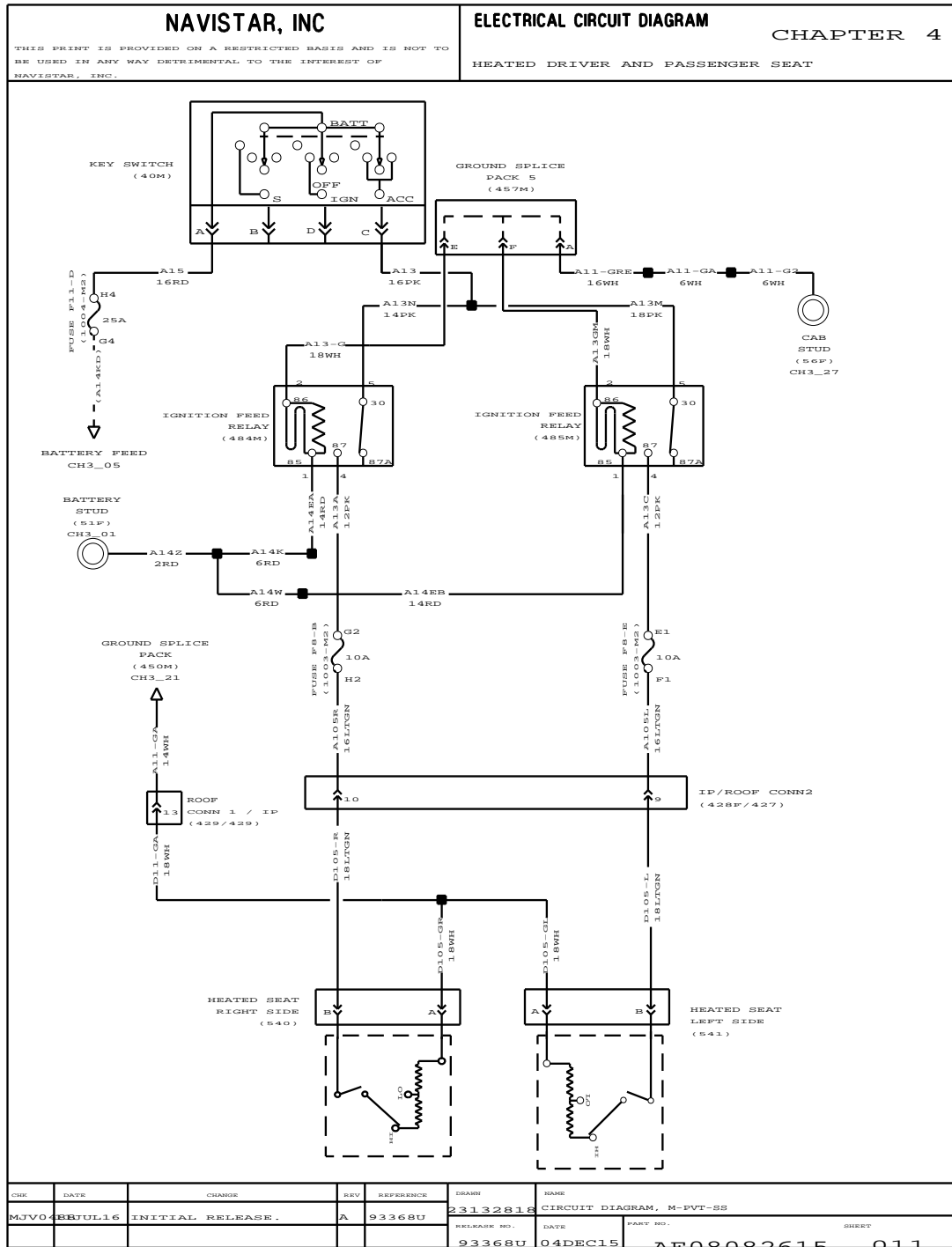


Figure 85 Heated Driver and Passenger Seat

4.12. WINDSHIELD WIPER MOTOR AND WASHER PUMP WIRING, P. 12

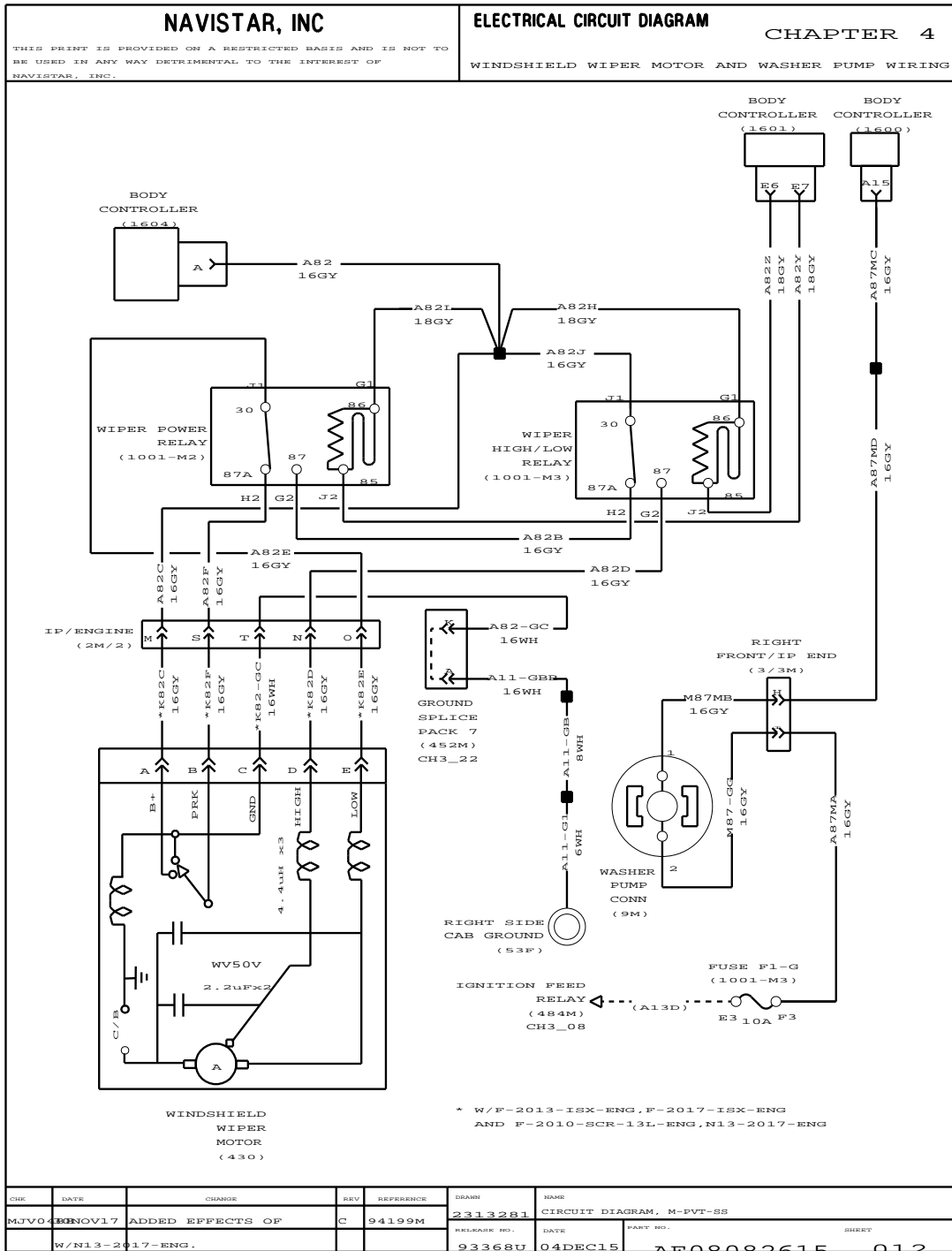


Figure 86 Windshield Wiper Motor and Washer Pump Wiring

4.13. CB RADIO POWER, P. 13

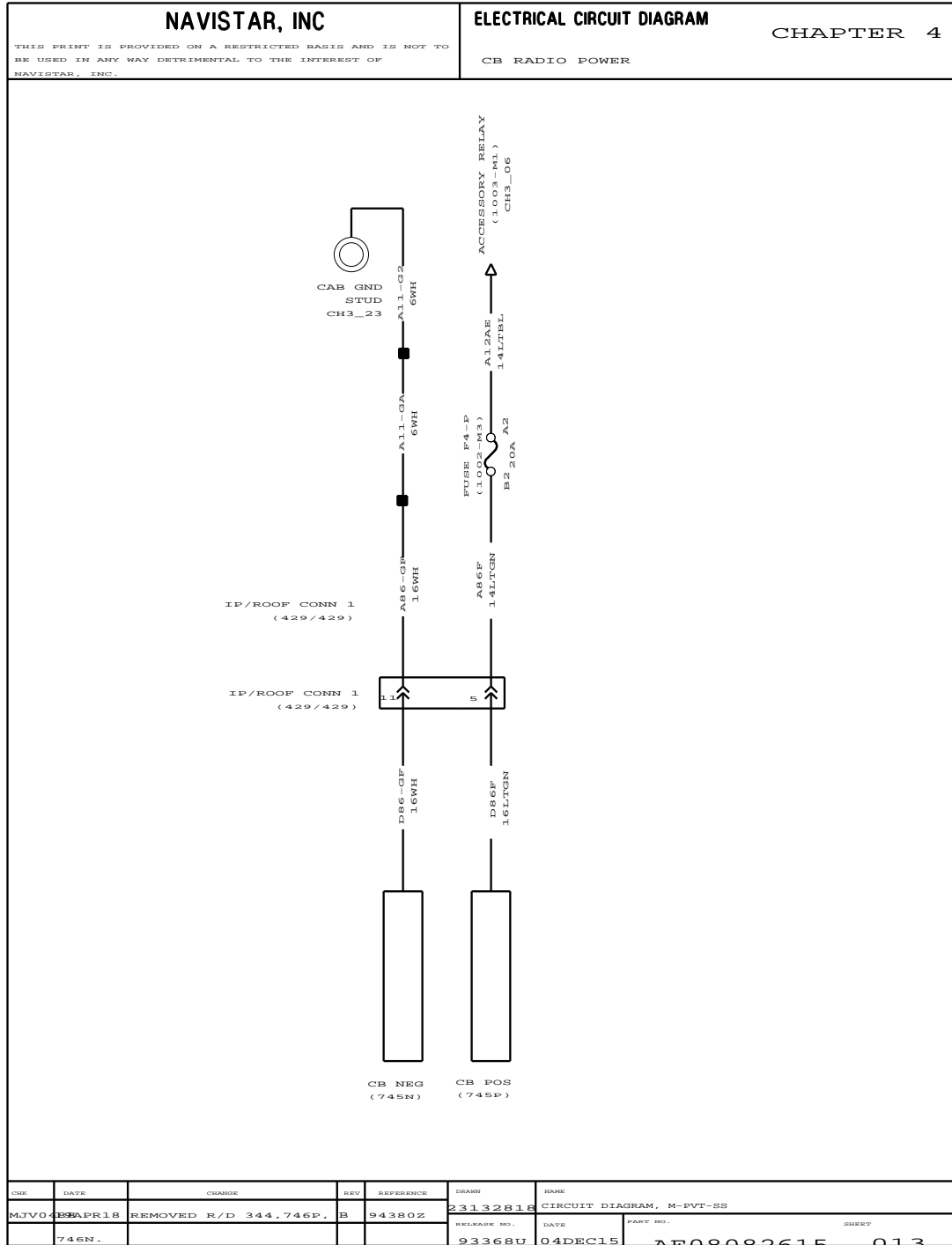


Figure 87 CB Radio Power

4.14. 2 WAY RADIO CONNECTION, P. 14

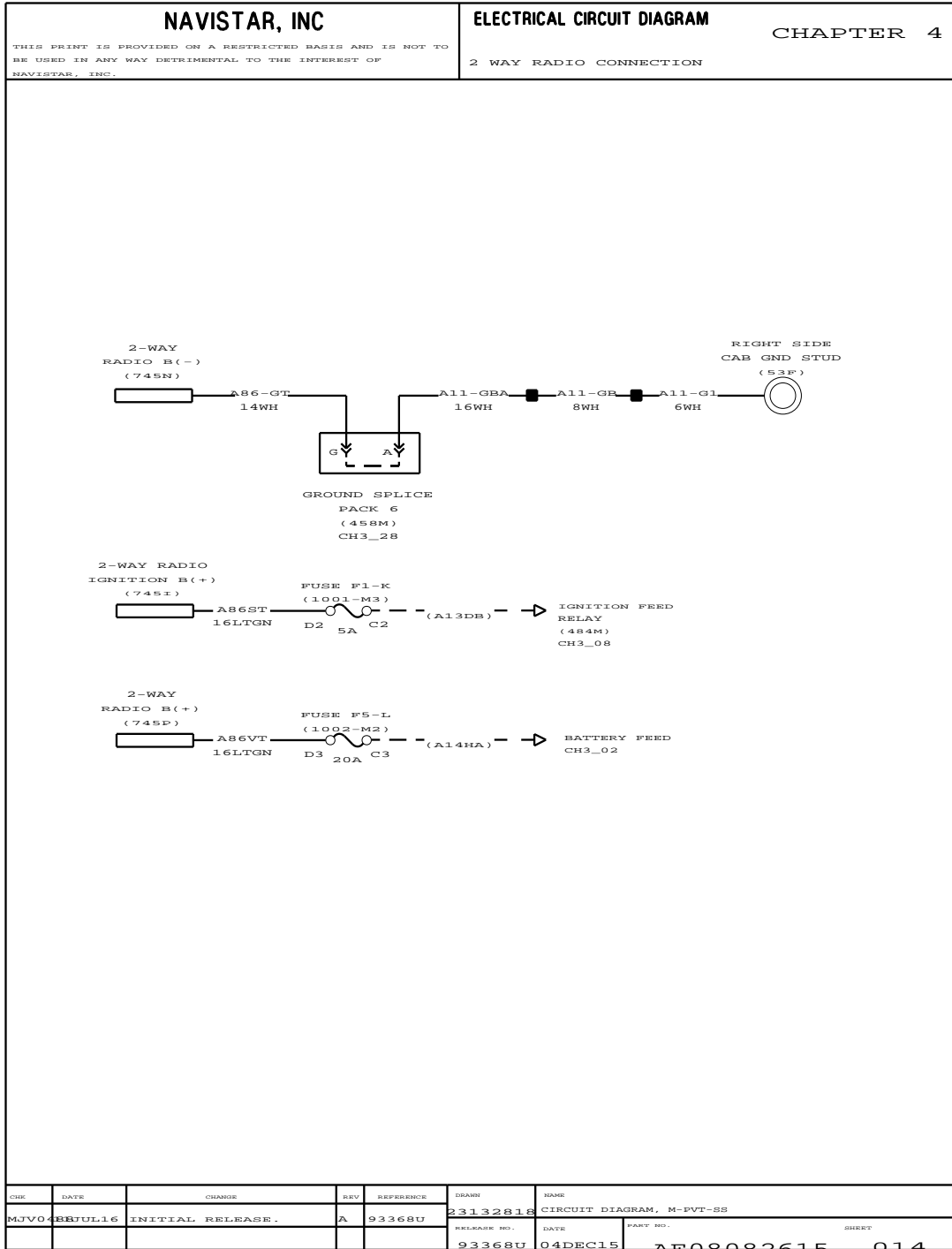


Figure 88 2 Way Radio Connection

4.15. RADIO DAY CAB SPEAKER WIRING, P. 15

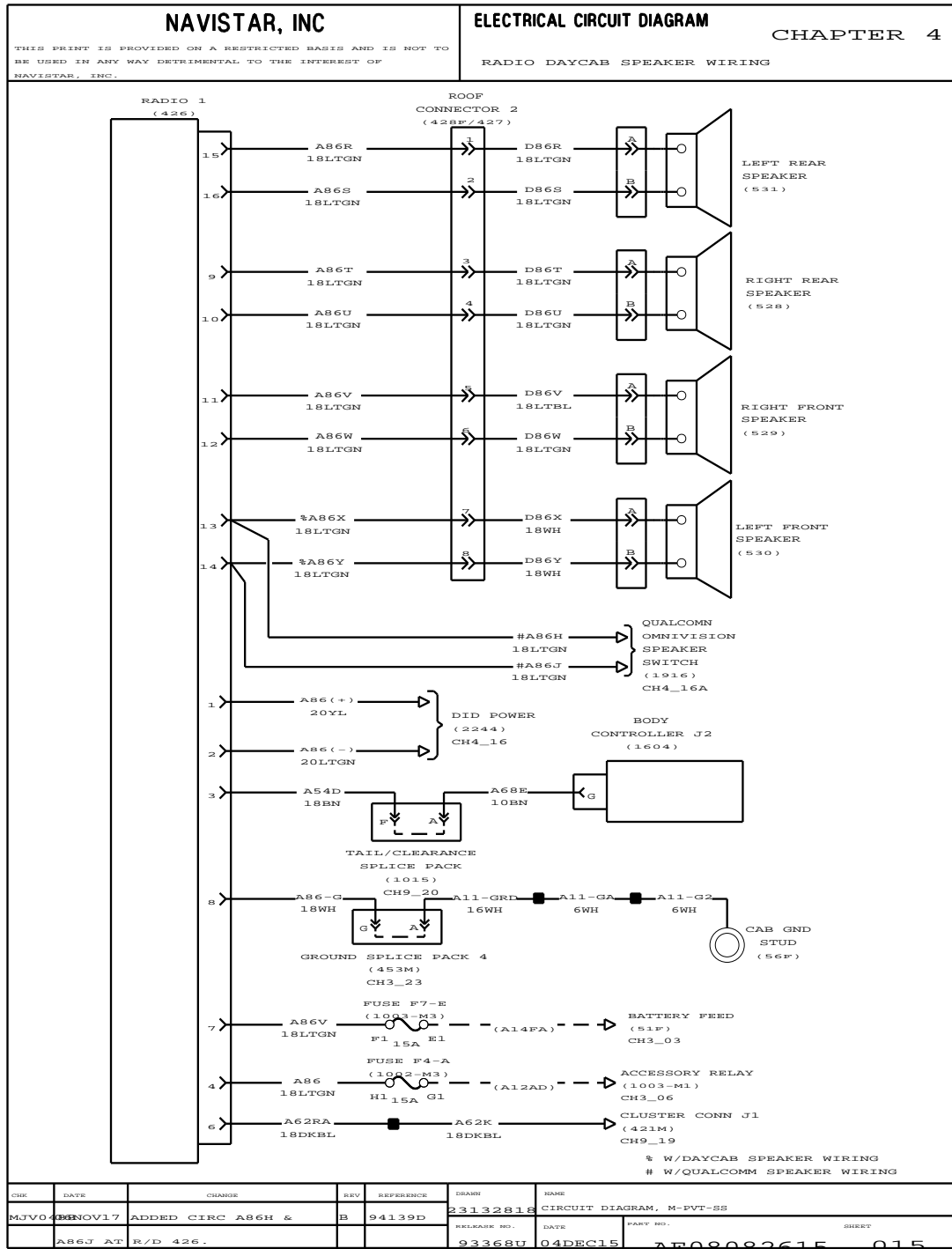


Figure 89 Radio Day Cab Speaker Wiring

4.16. SLEEPER BOX WITH SPEAKER WIRING WITH VOLUME CONTROL, P. 15A

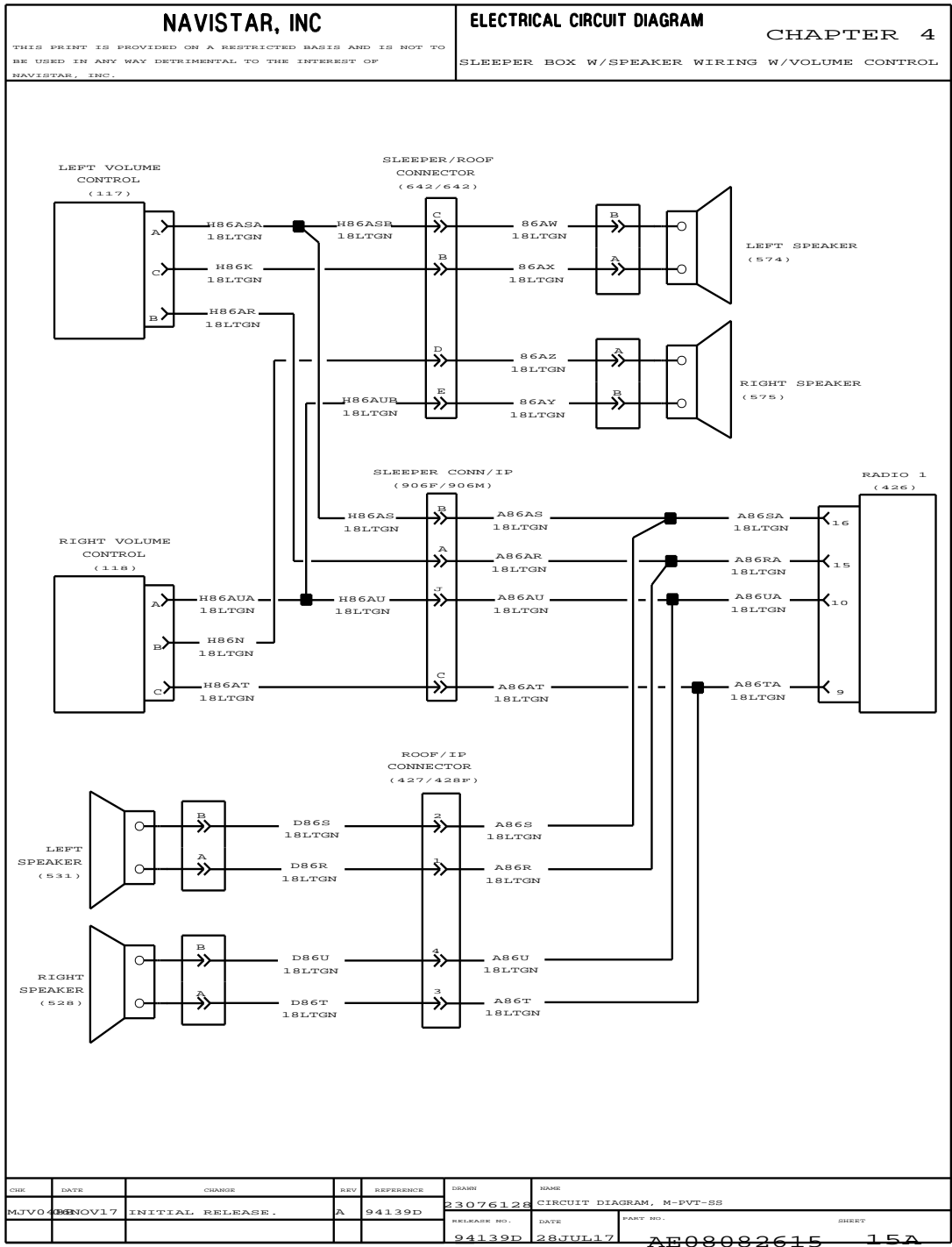


Figure 90 Sleeper Box with Speaker Wiring with Volume Control

4.17. SECONDARY DISPLAY CONNECTIONS WITH BLUETOOTH, P. 16

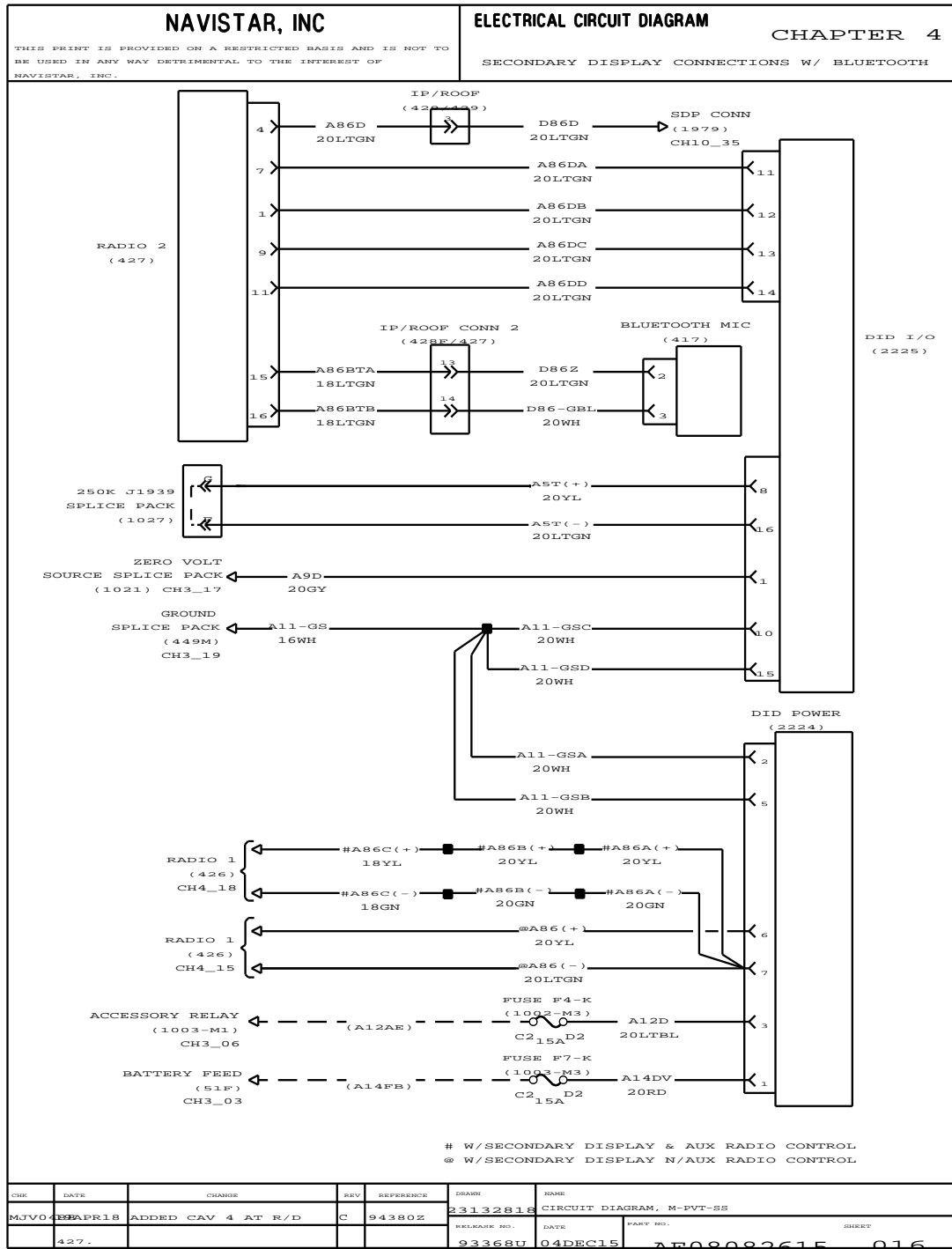


Figure 91 Secondary Display Connections with Bluetooth

4.18. DAY CAB WITH QUALCOMM SPEAKER WIRING, P. 16A

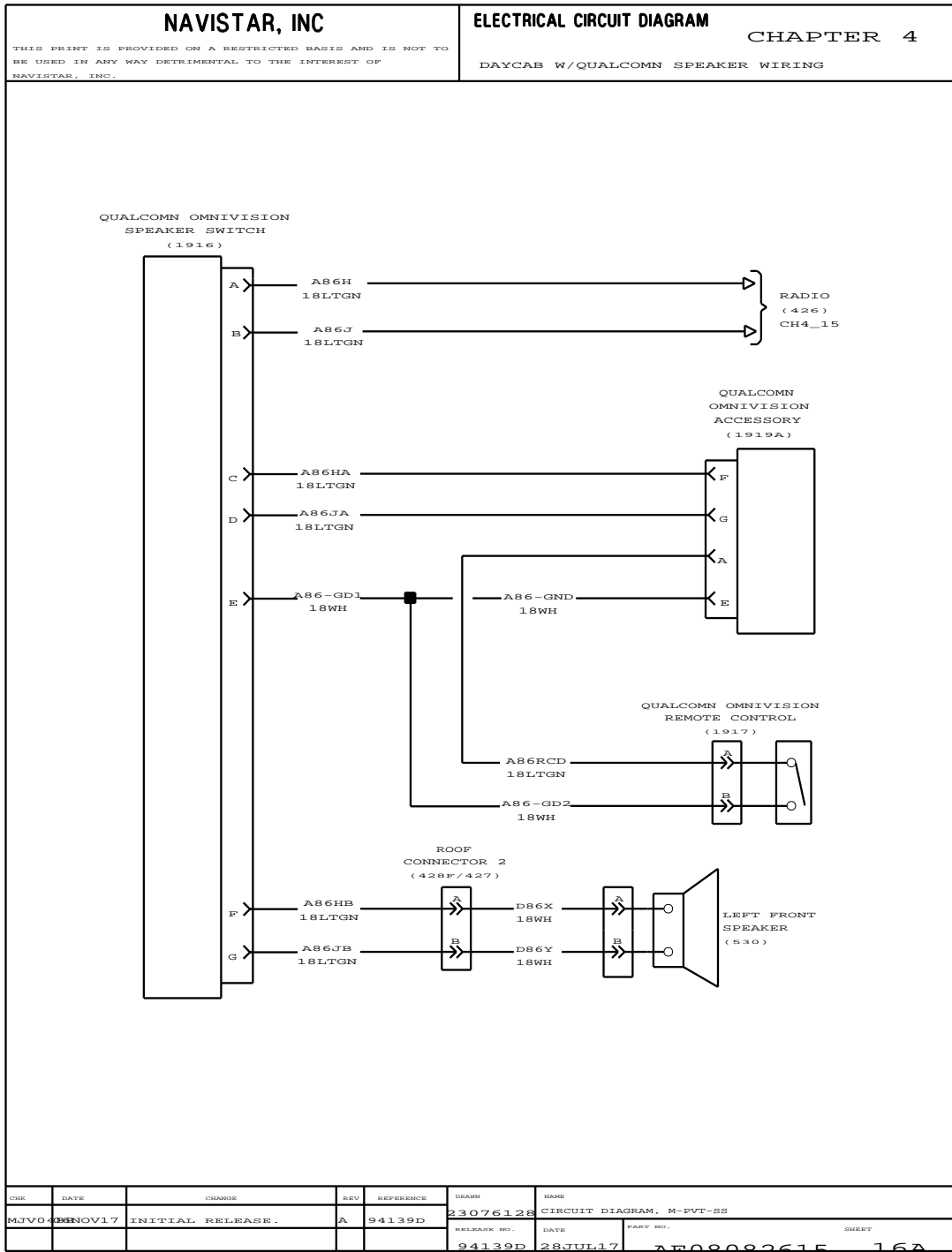


Figure 92 Day Cab with Qualcomm Speaker Wiring

4.19. PEOPLENET COMMUNICATION WIRING, P. 17

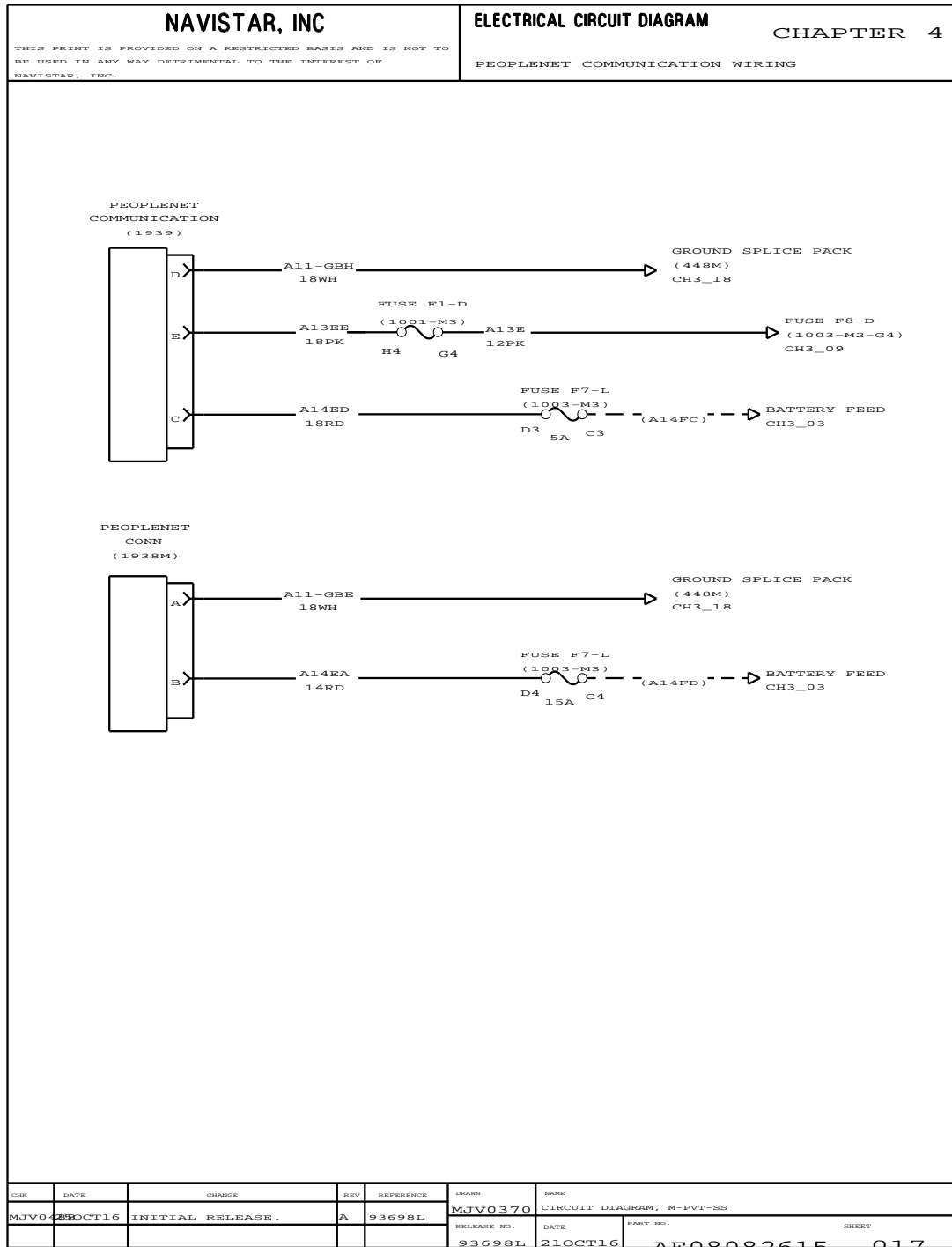


Figure 93 PeopleNet Communication Wiring

4.20. SLEEPER BOX WITH REMOTE RADIO, P. 18

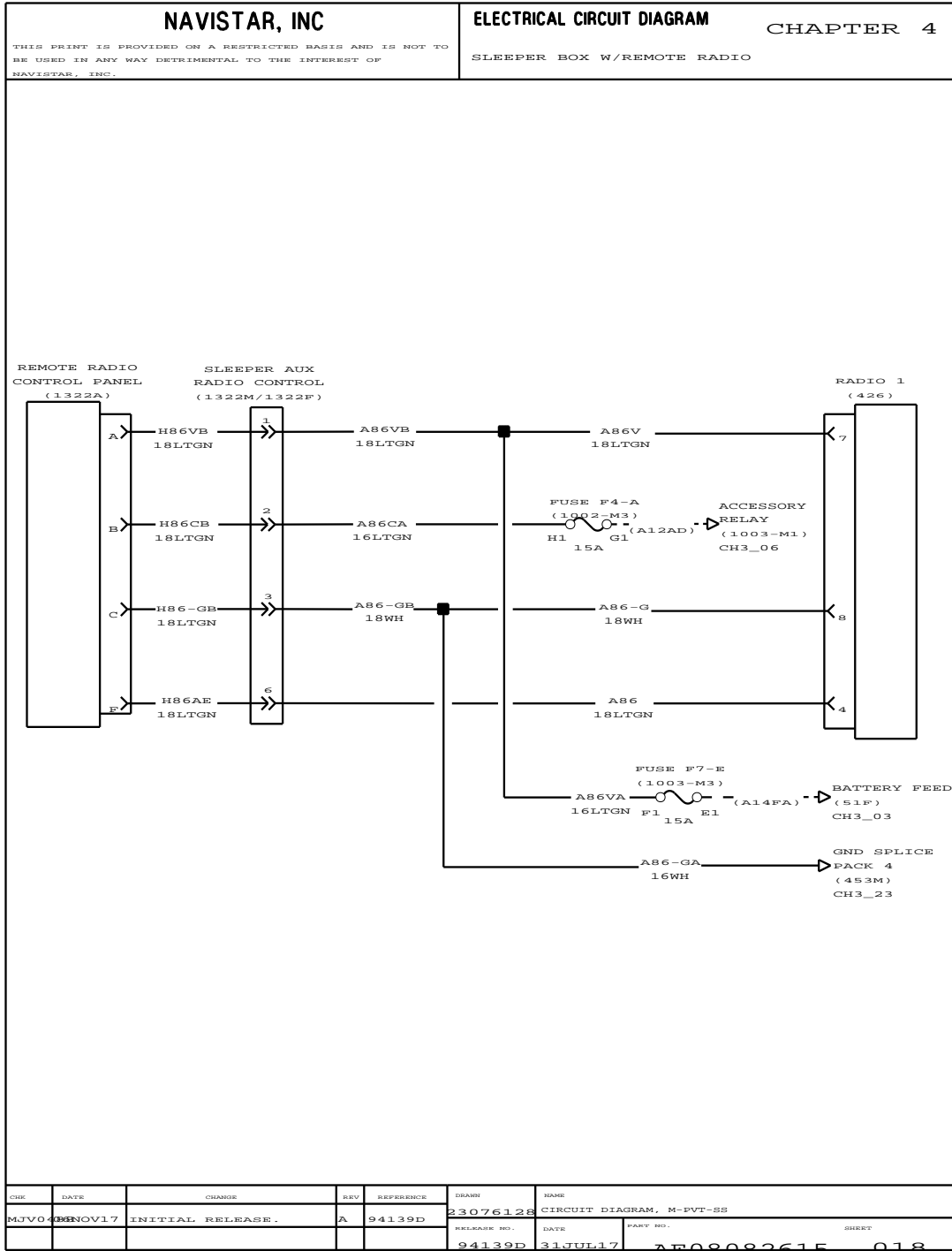


Figure 94 Sleeper Box with Remote Radio

4.21. QUALCOMM OMNIVISION, P. 19

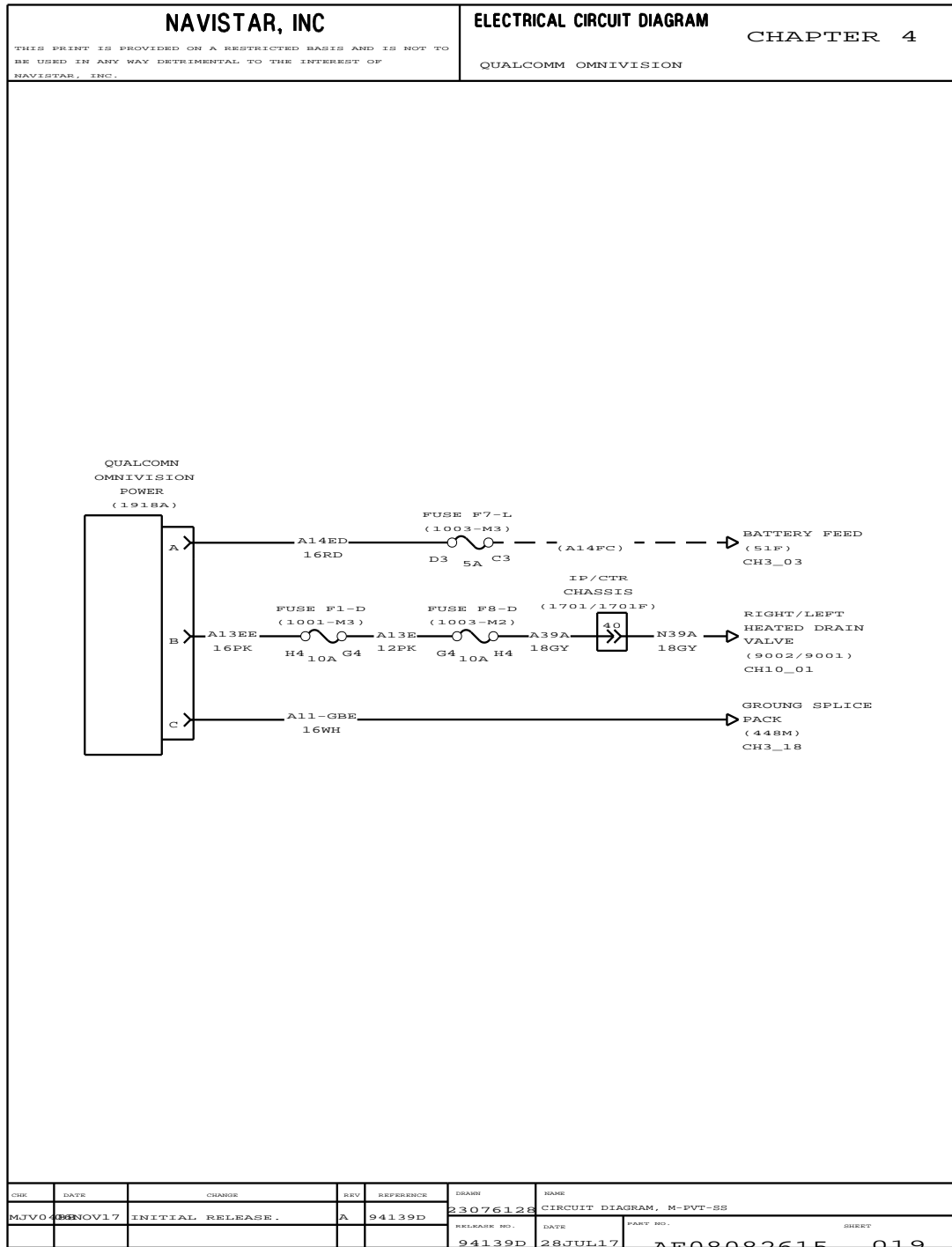


Figure 95 Qualcomm Omnivision

4.22. SLEEPER BOX WITH AUXILIARY RADIO CONTROL WITH DID, P. 20

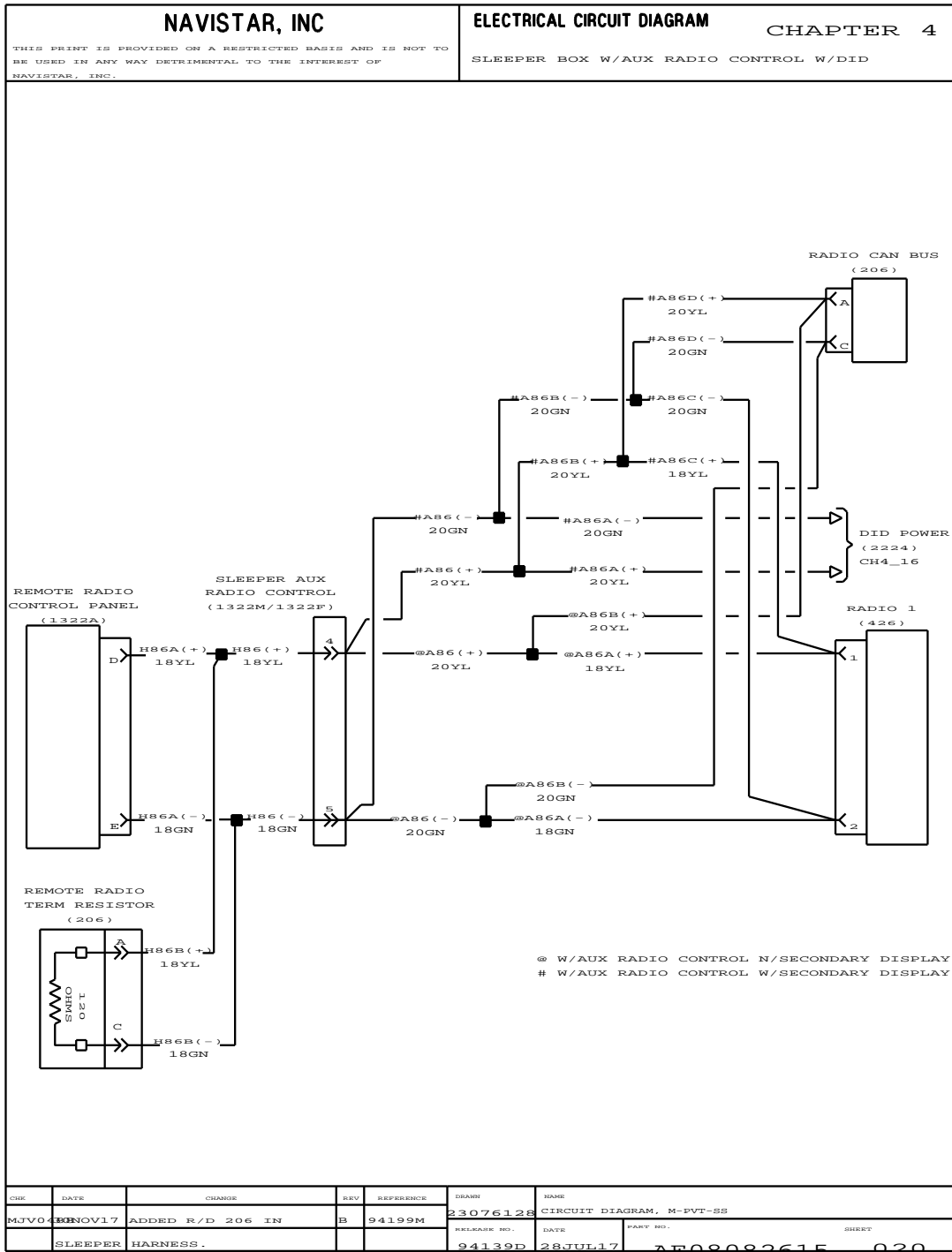


Figure 96 Sleeper Box with Auxiliary Radio Control with DID

4.23. RADIO CAN BUS WITH AUXILIARY RADIO CONTROL, P. 20A

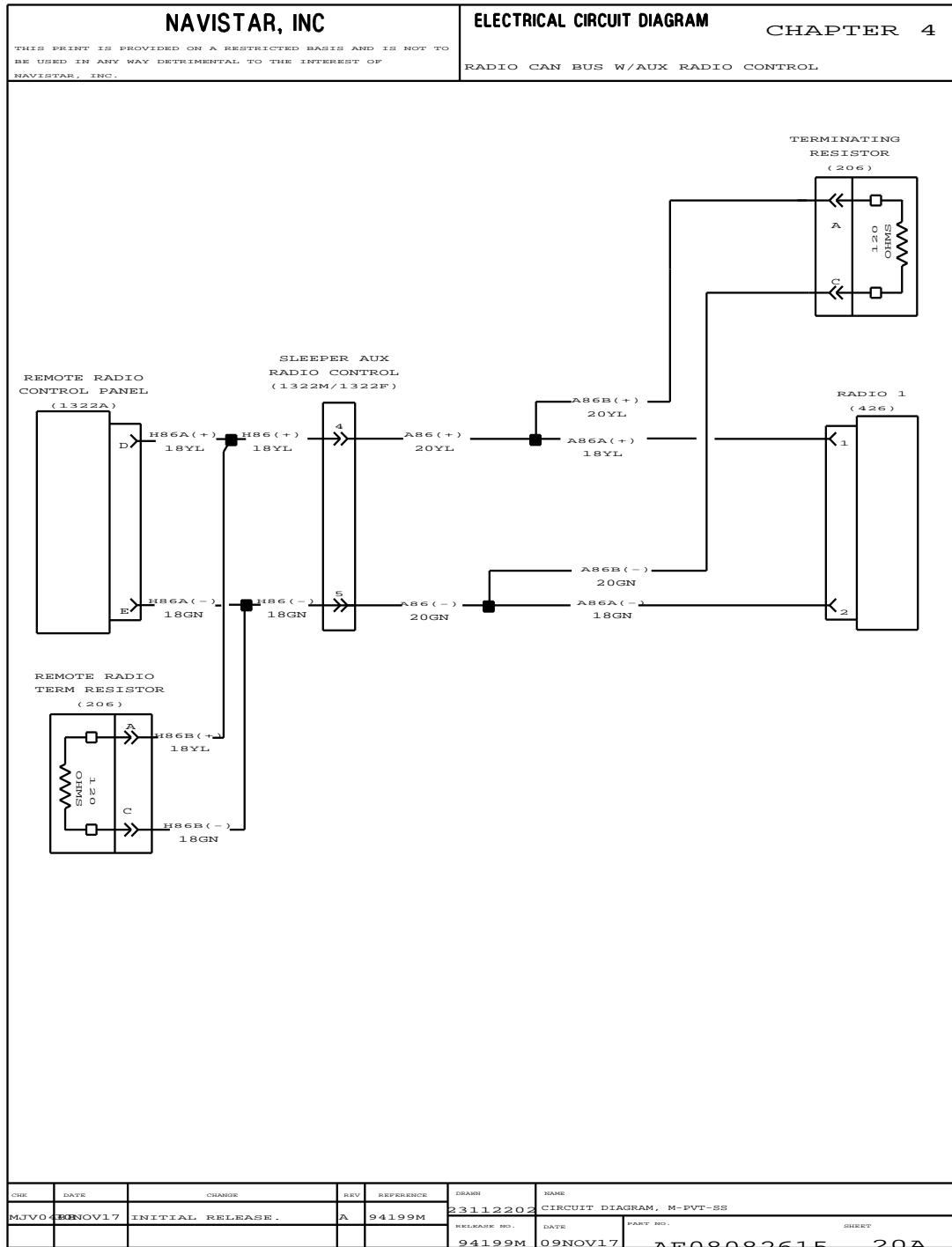


Figure 97 Radio Can Bus with Auxiliary Radio Control

4.24. STANDARD APO, P. 21

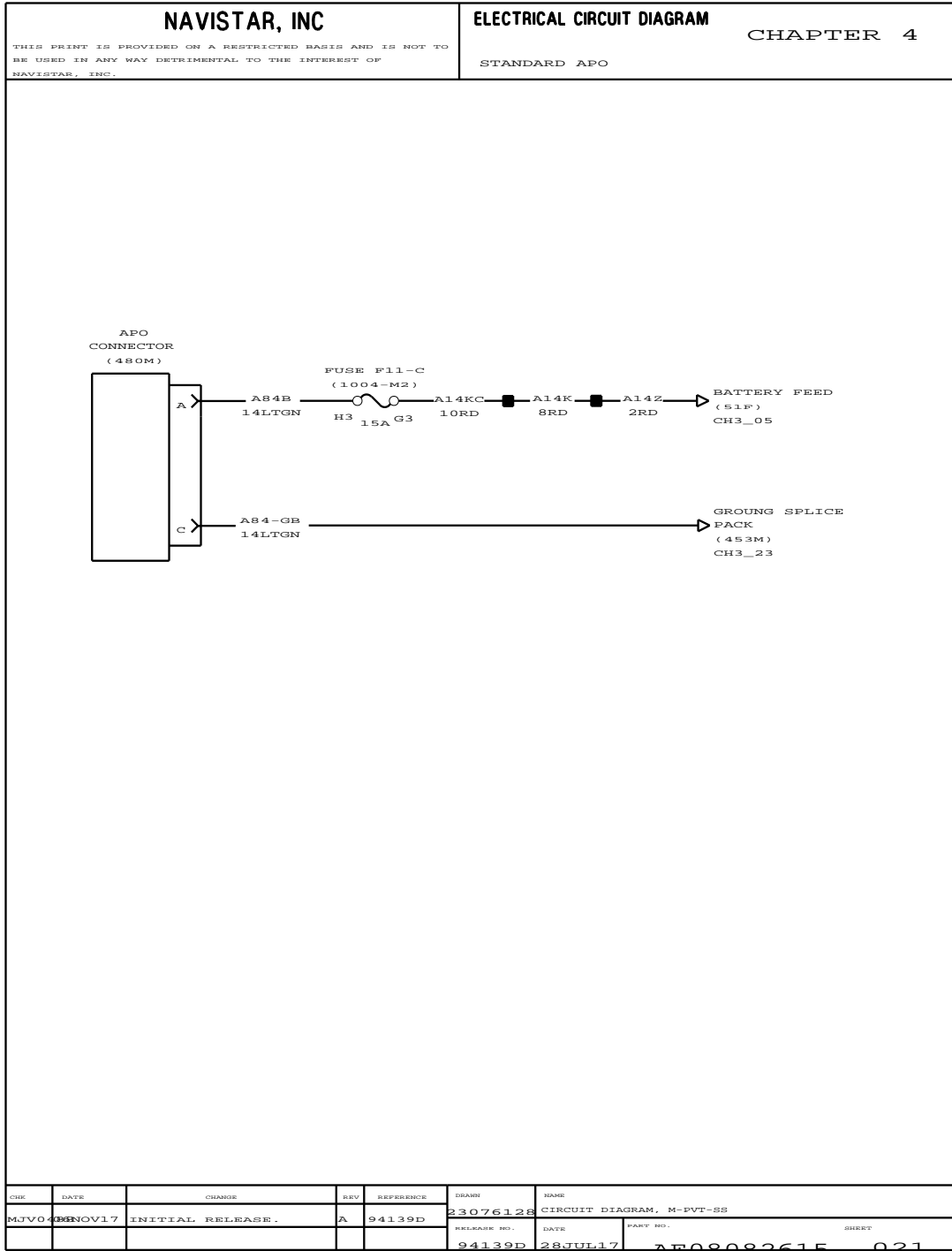


Figure 98 Standard APO

4.25. SLEEPER BOX WITH AUXILIARY POWER AND TV / VCR, P. 22

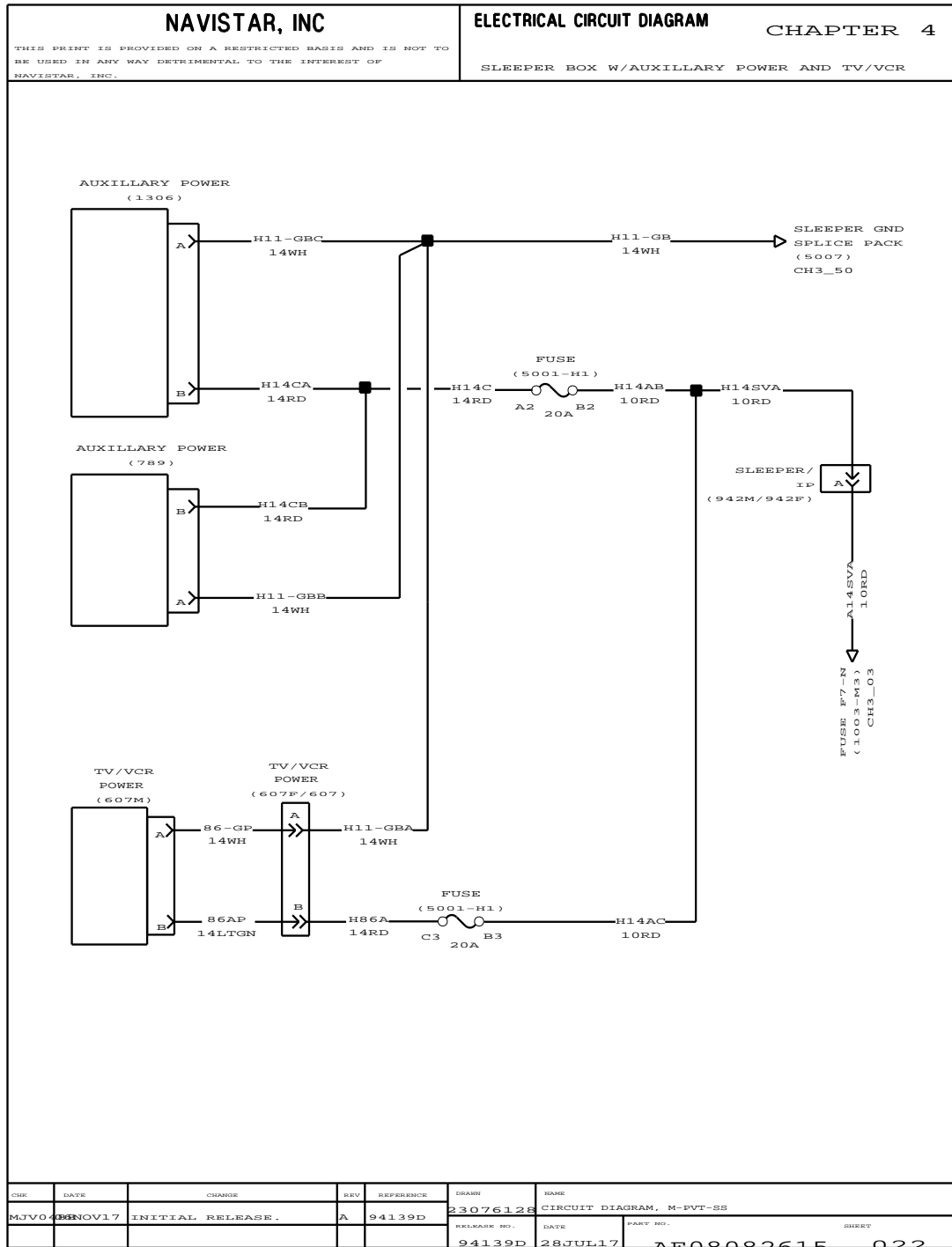


Figure 99 SLEEPER BOX with Auxiliary Power and TV / VCR

4.26. ROLLTEK SEATING WIRING, P. 23

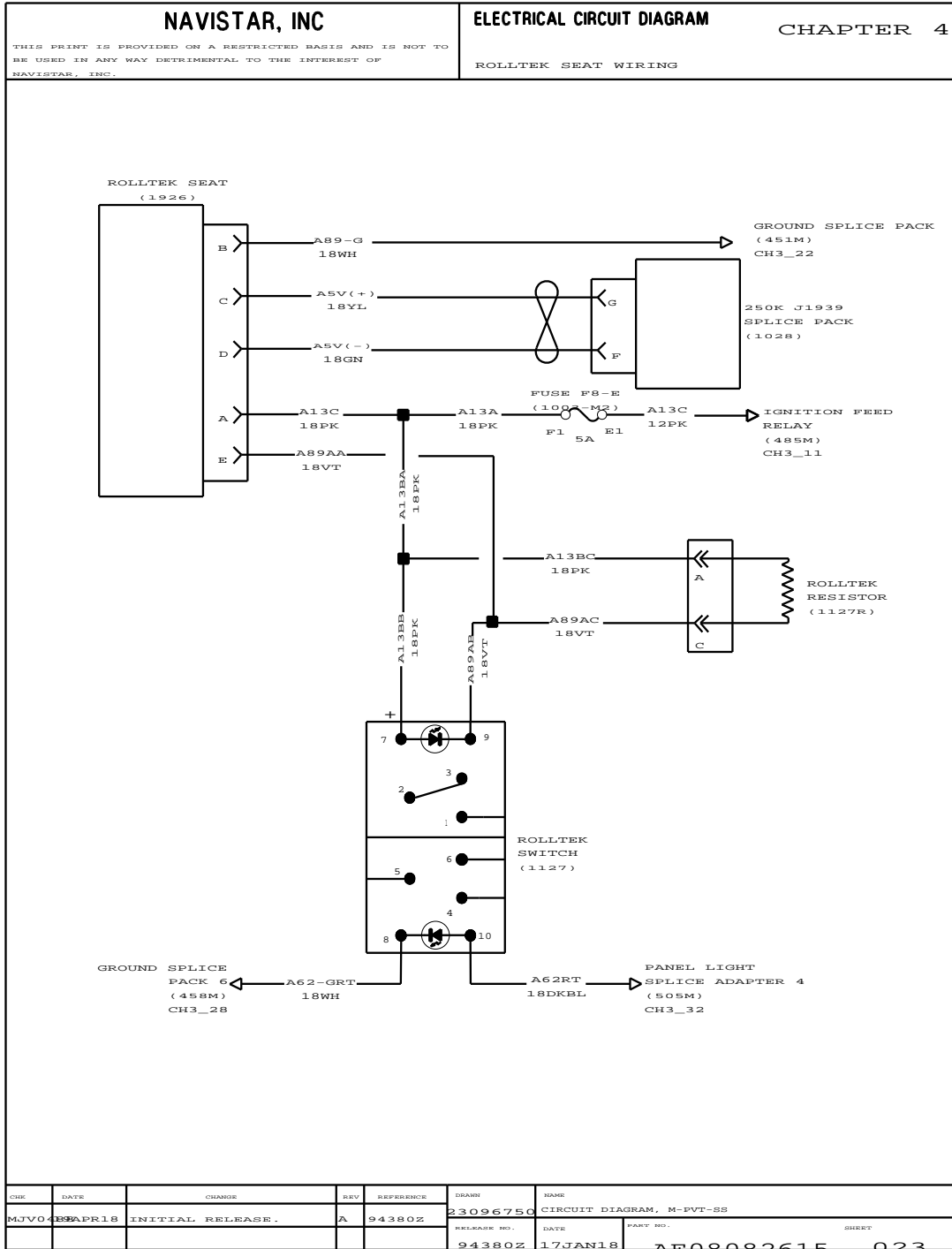


Figure 100 Rolltek Seating Wiring

4.27. DATA RECORDER WIRING, P. 24

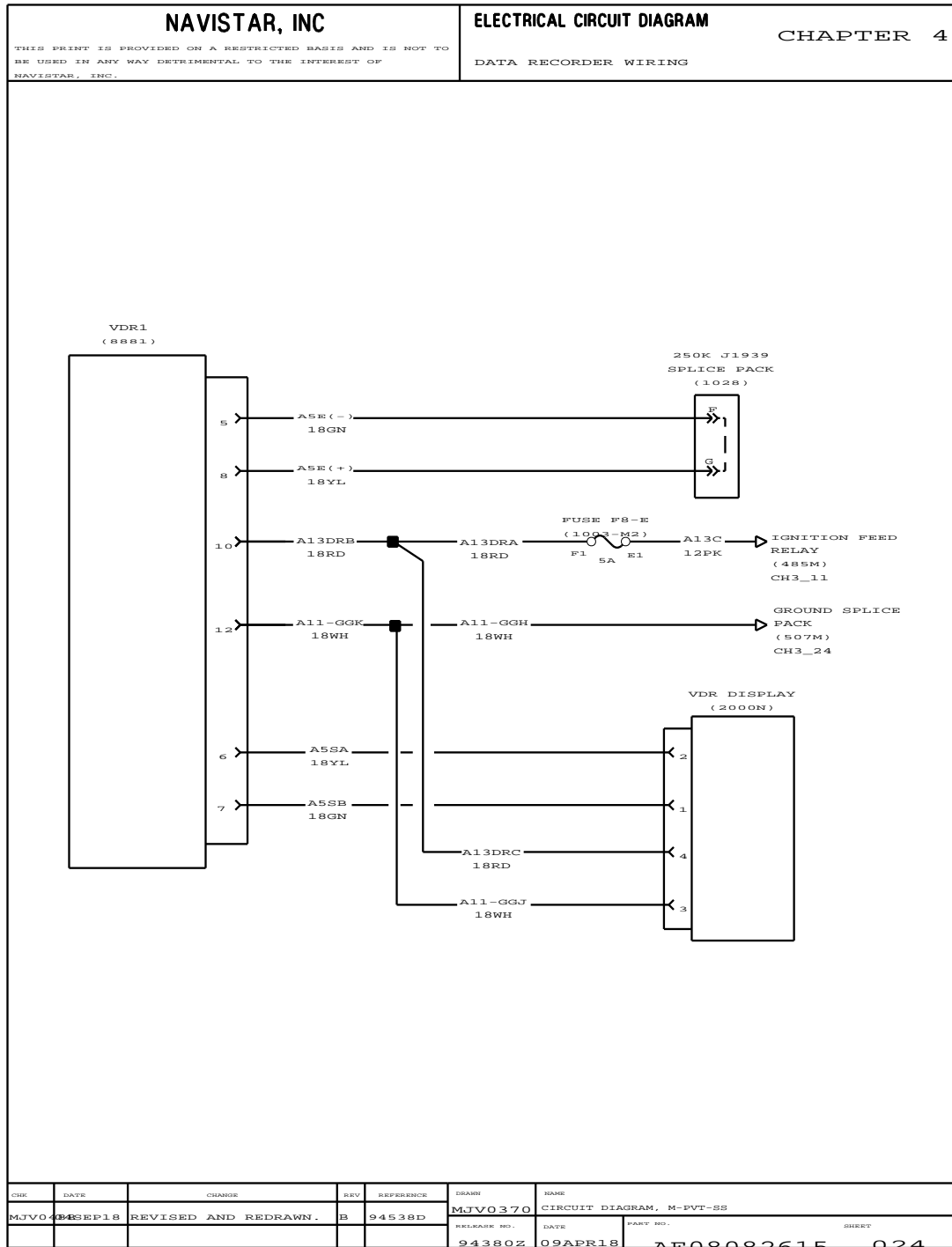


Figure 101 Data Recorder Wiring

4.28. DATA RECORDER WIRING (CONT.), P. 24A

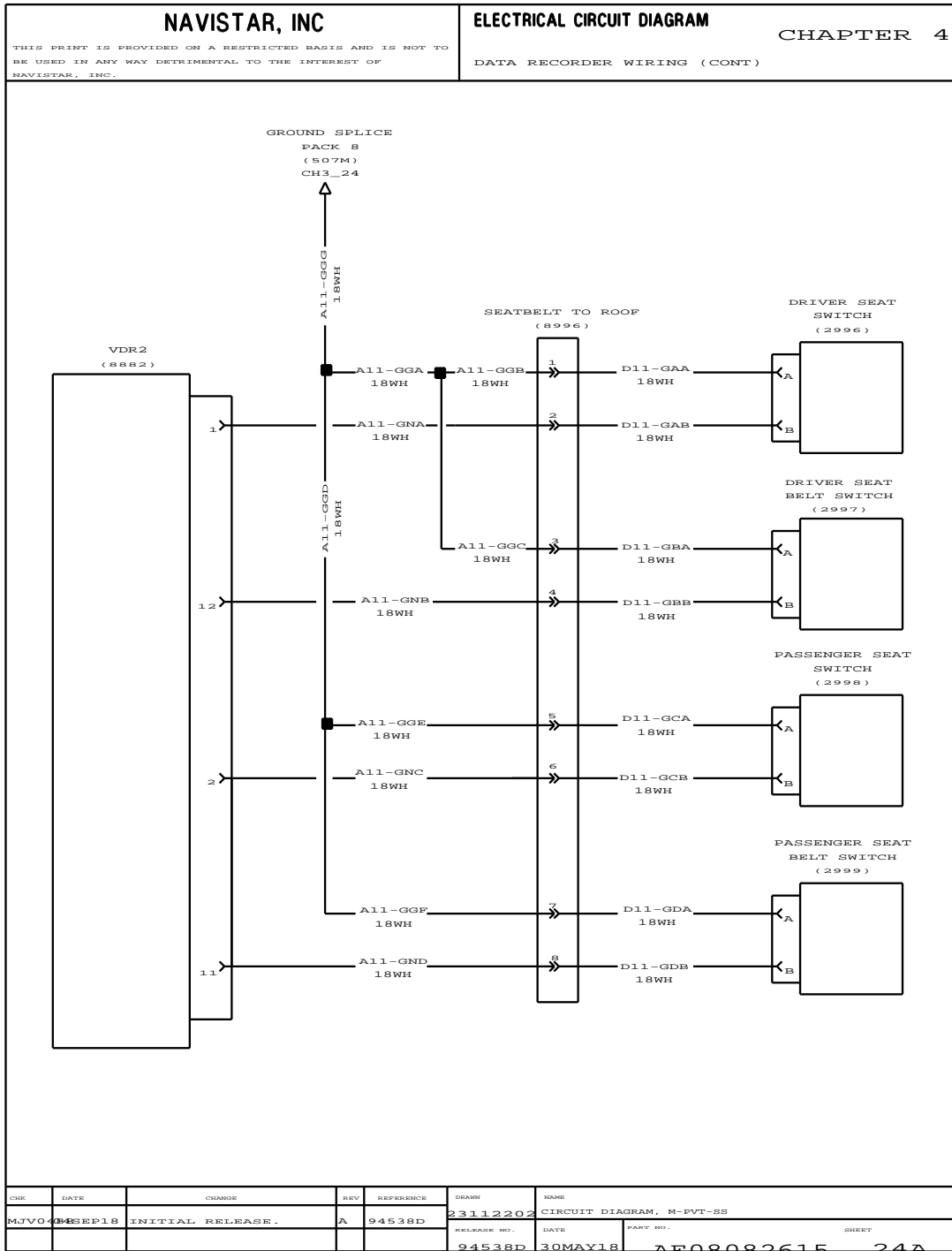


Figure 102 Data Recorder Wiring (Cont.)

4.29. ROLLTEK SEAT, P. 25

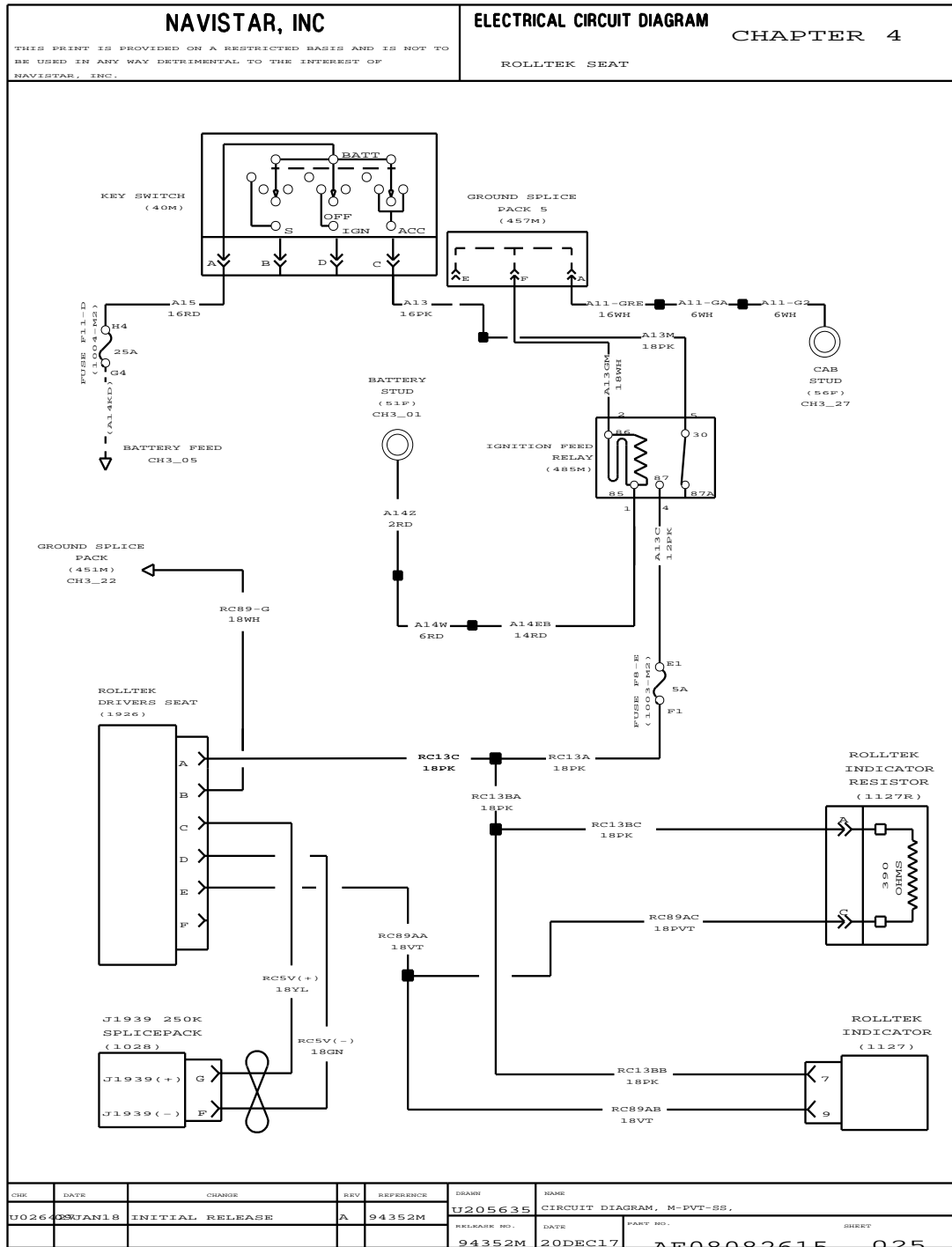


Figure 103 Rolltek Seat

4.30. RSM HEATED HOOD MIRROR, P. 26

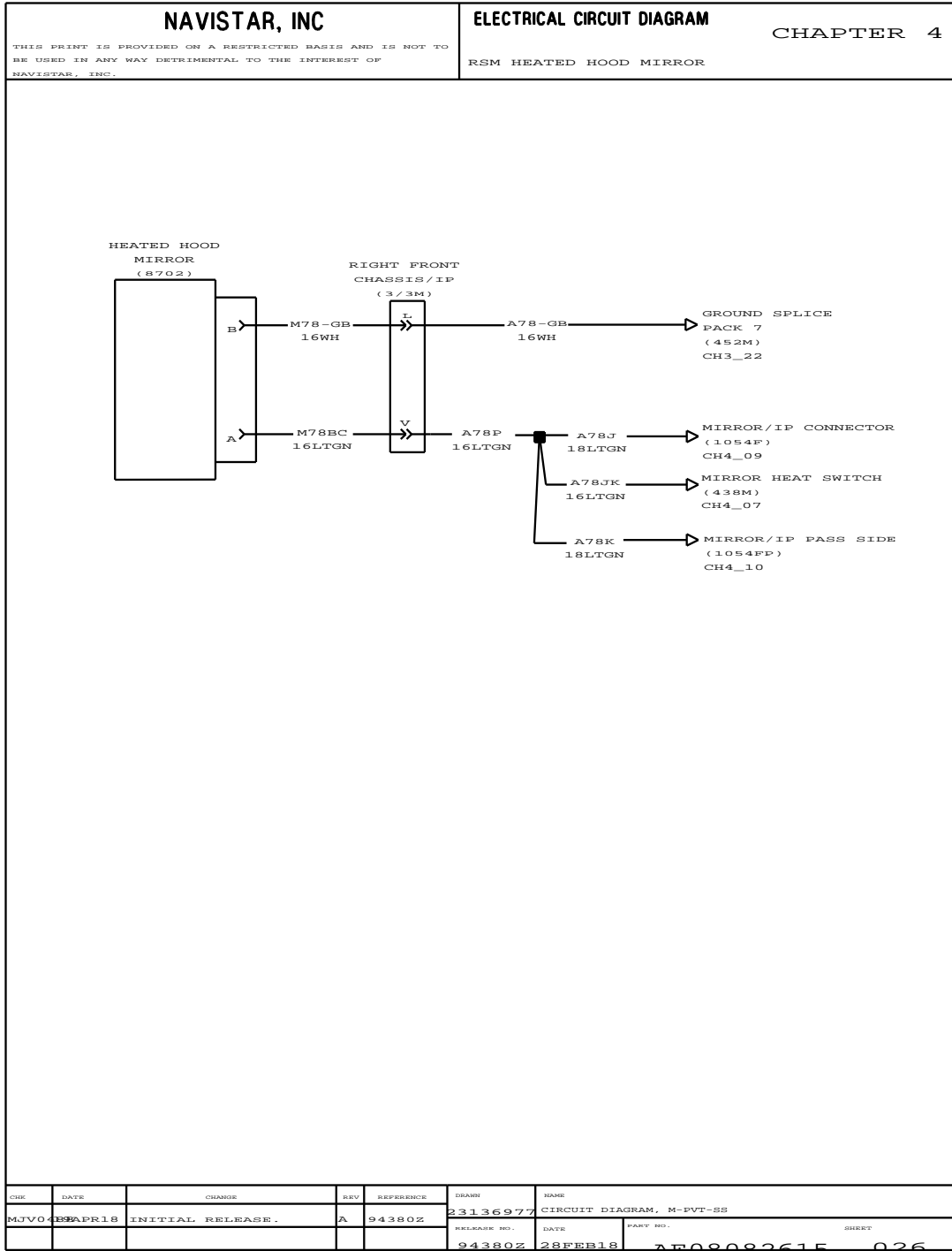


Figure 104 RSM Heated Hood Mirror

CHARGING AND CRANKING (CHAPTER 5)

5.1. STARTING AND CRANKING WITH ULTRASHIFT TRANSMISSION WITH F-2013-ISX ENGINE, P. 1

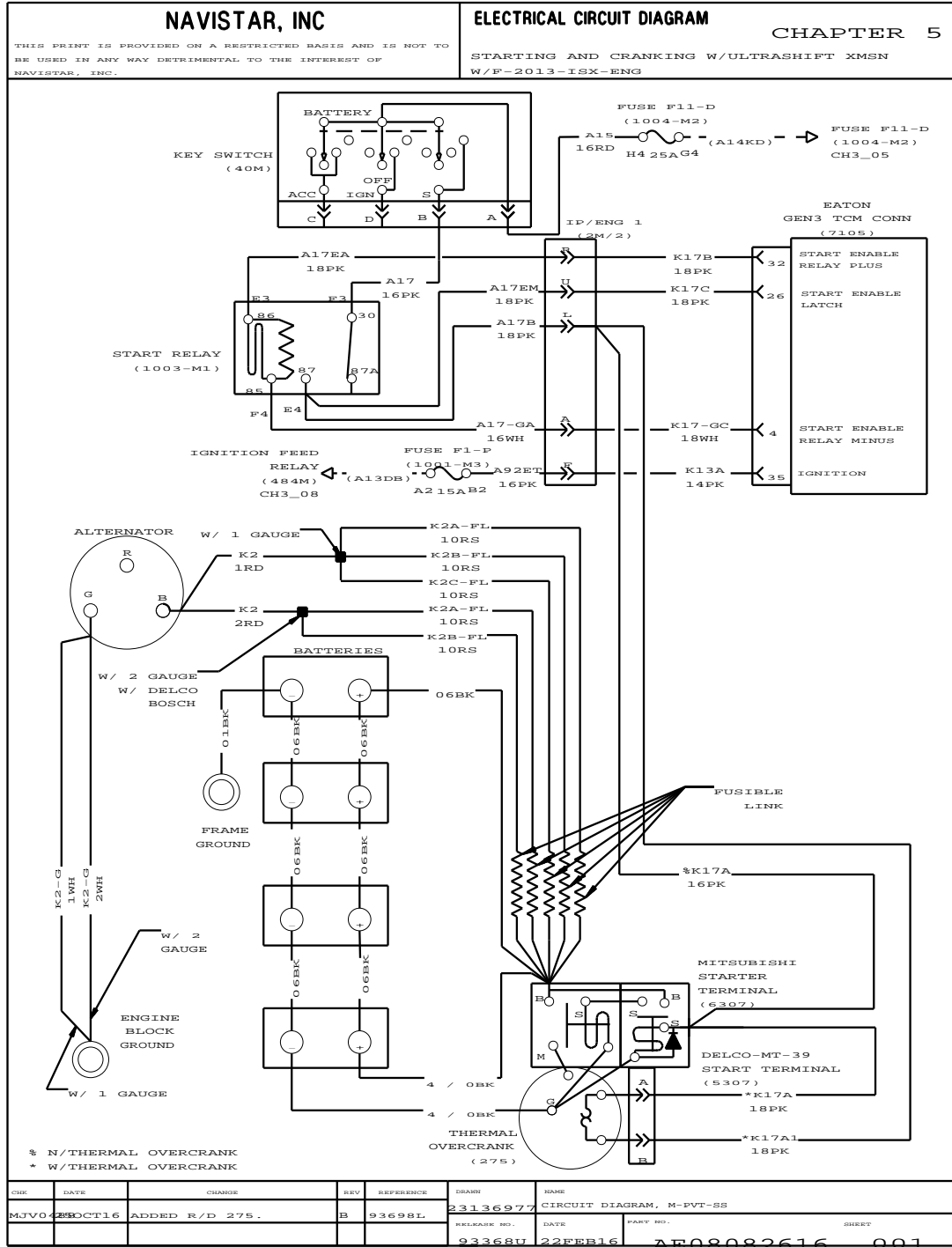


Figure 105 Starting and Cranking with Ultrashift Transmission with F-2013-ISX Engine

5.2. STARTING AND CRANKING WITH MANUAL TRANSMISSION WITH F-2013-ISX ENGINE, P. 2

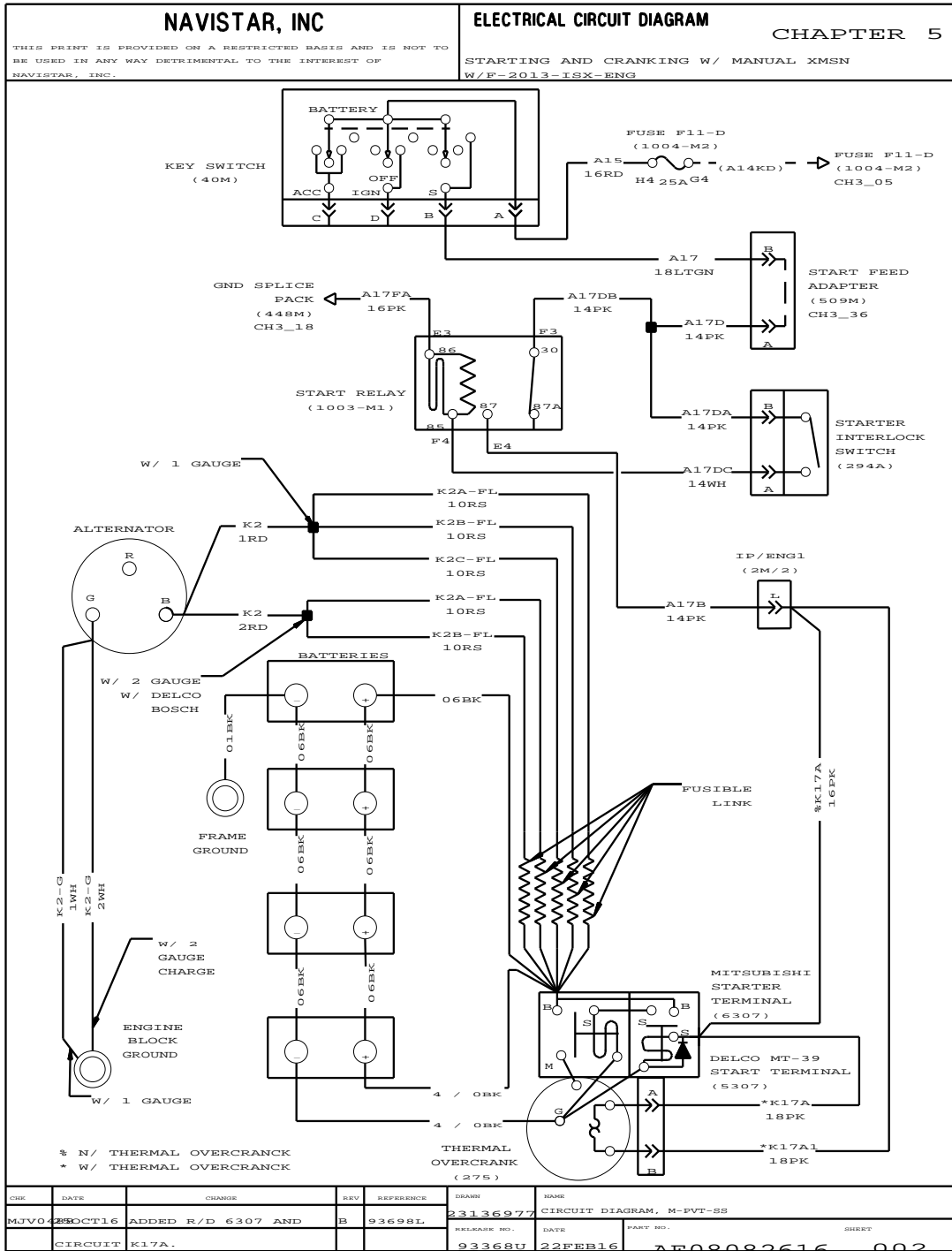


Figure 106 Starting and Cranking with Manual Transmission with F-2013-ISX Engine

5.3. STARTING AND CRANKING WITH ALLISON TRANSMISSION WITH F-2013-ISX ENGINE, P. 3

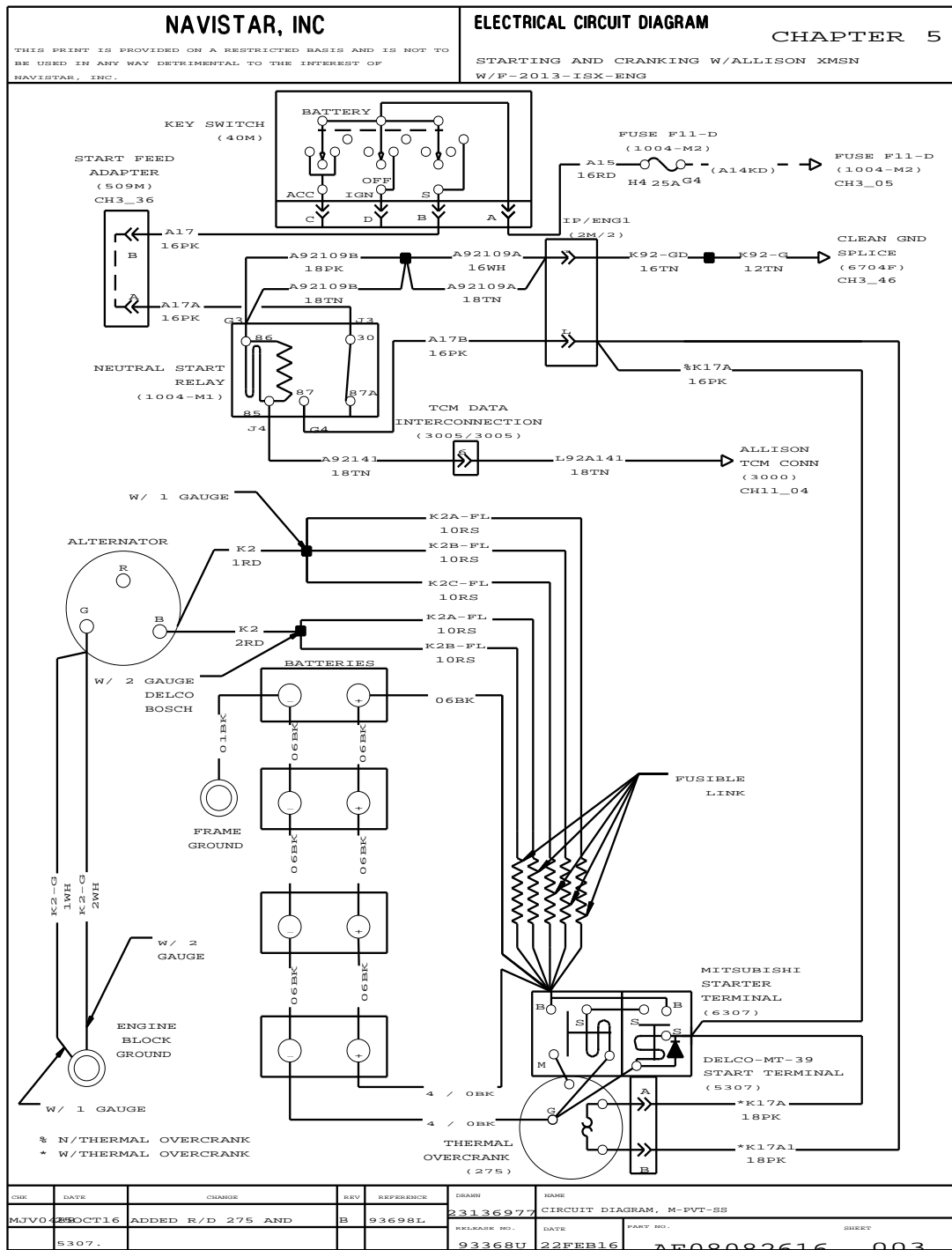


Figure 107 Starting and Cranking with Allison Transmission with F-2013-ISX Engine

5.4. STARTING AND CRANKING WITH N13 ENGINE WITH ULTRASHIFT TRANSMISSION WITHOUT THERMAL OVERCRANK, P. 4

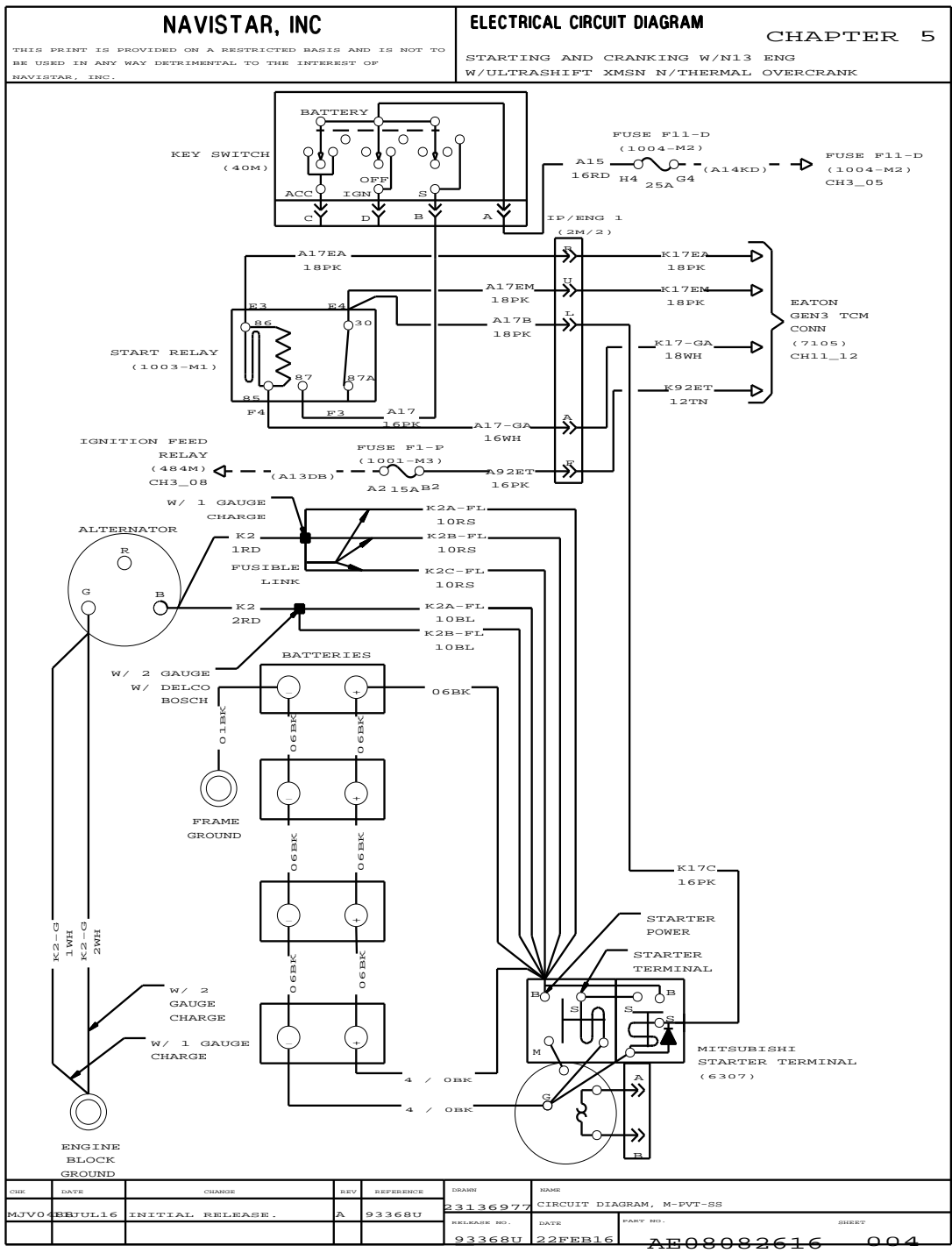


Figure 108 Starting and Cranking with N13 Engine with Ultrashift Transmission without Thermal Overcrank

5.5. STARTING AND CRANKING WITH N13 ENGINE WITH MANUAL TRANSMISSION WITH THERMAL OVERCRANK, P. 5

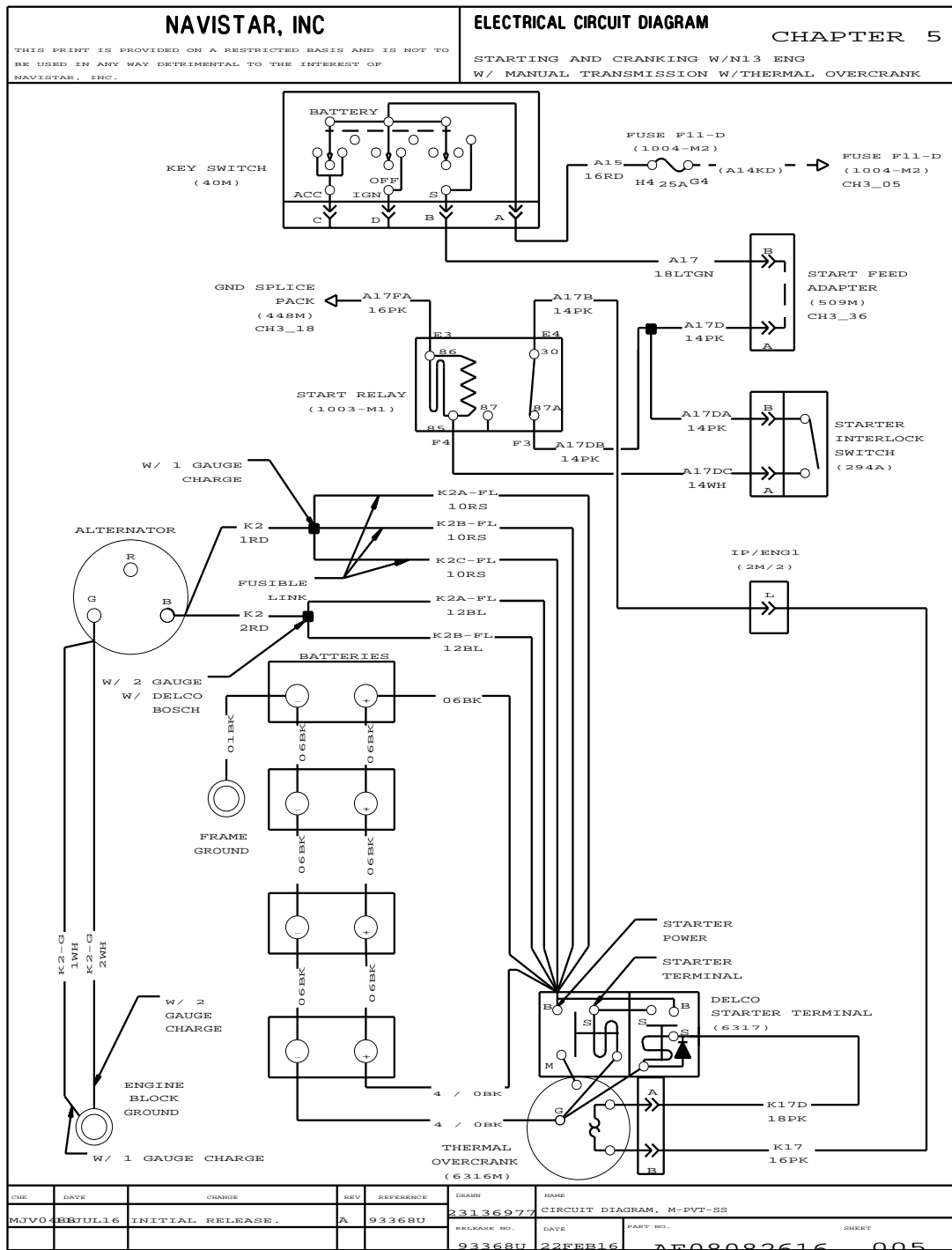


Figure 109 Starting and Cranking with N13 Engine with Manual Transmission with Thermal Overcrank

5.6. STARTING AND CRANKING WITH N13 ENGINE WITH ALLISON TRANSMISSION WITHOUT THERMAL OVERCRANK, P. 6

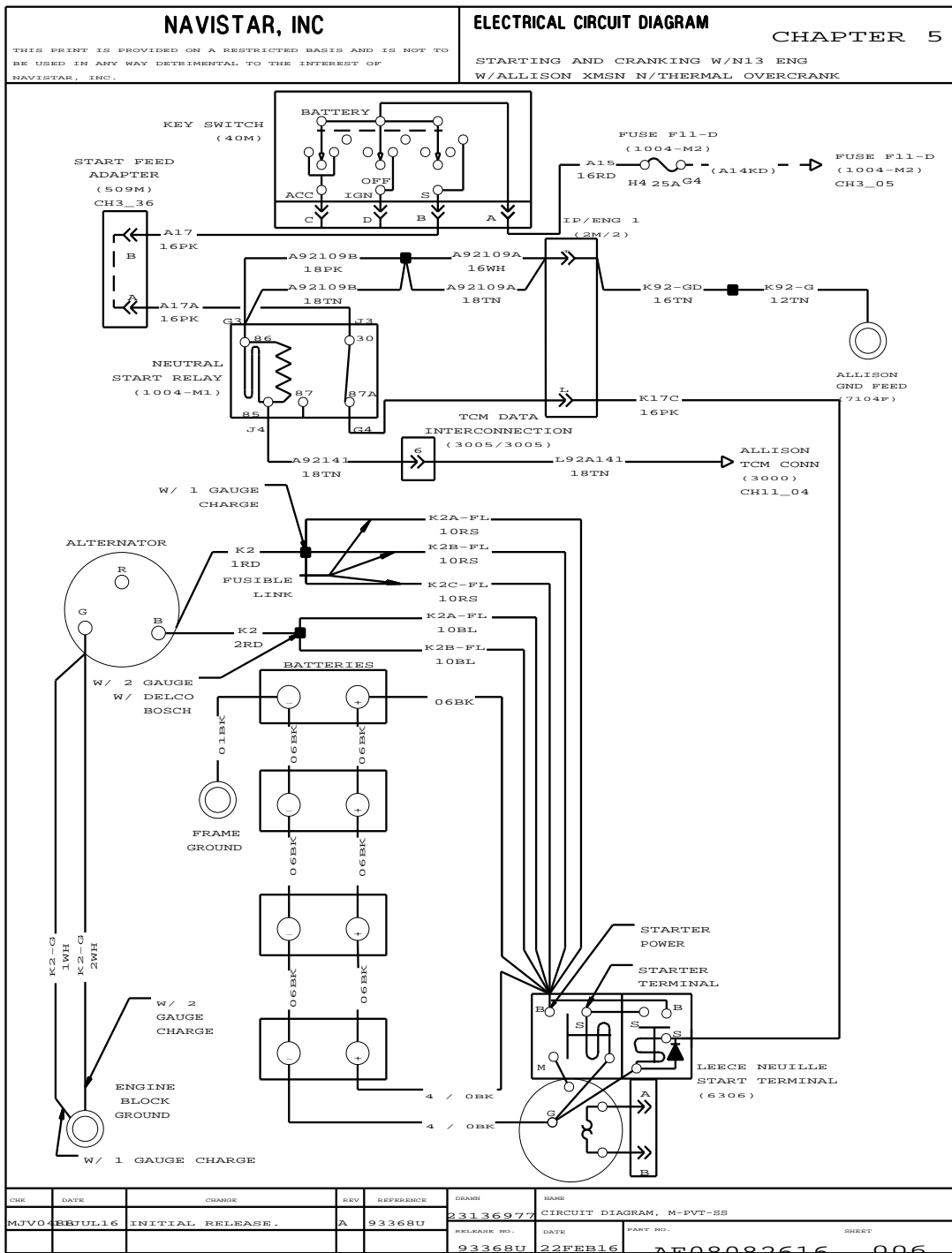


Figure 110 Starting and Cranking with N13 Engine with Allison Transmission without Thermal Overcrank

5.7. STARTING AND CRANKING WITH ULTRASHIFT TRANSMISSION WITH F-2017 ISX ENGINE, P. 7

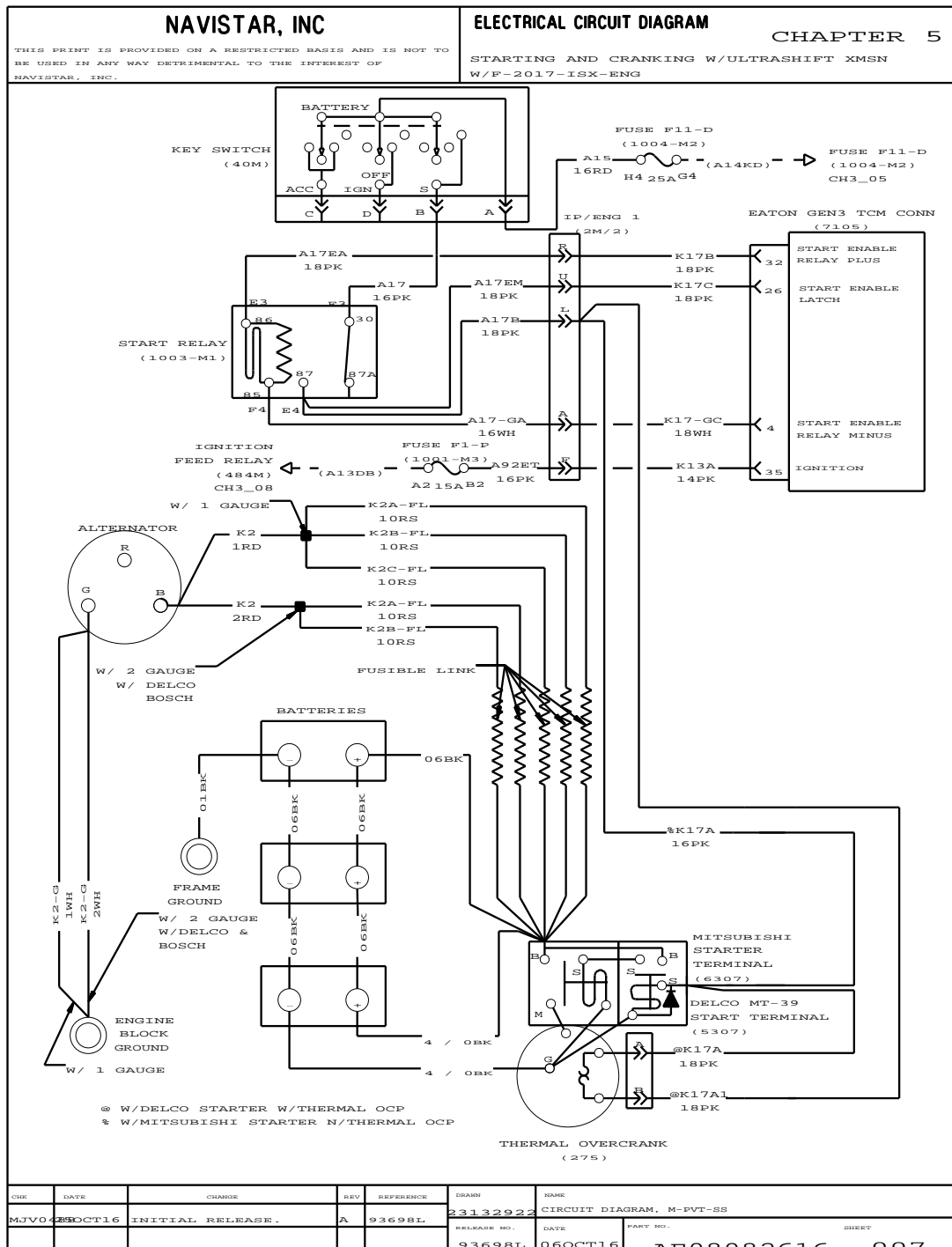


Figure 111 Starting and Cranking with Ultrashift Transmission with F-2017 ISX Engine

5.8. STARTING AND CRANKING WITH MANUAL TRANSMISSION WITH F-2017 ISX ENGINE, P. 8

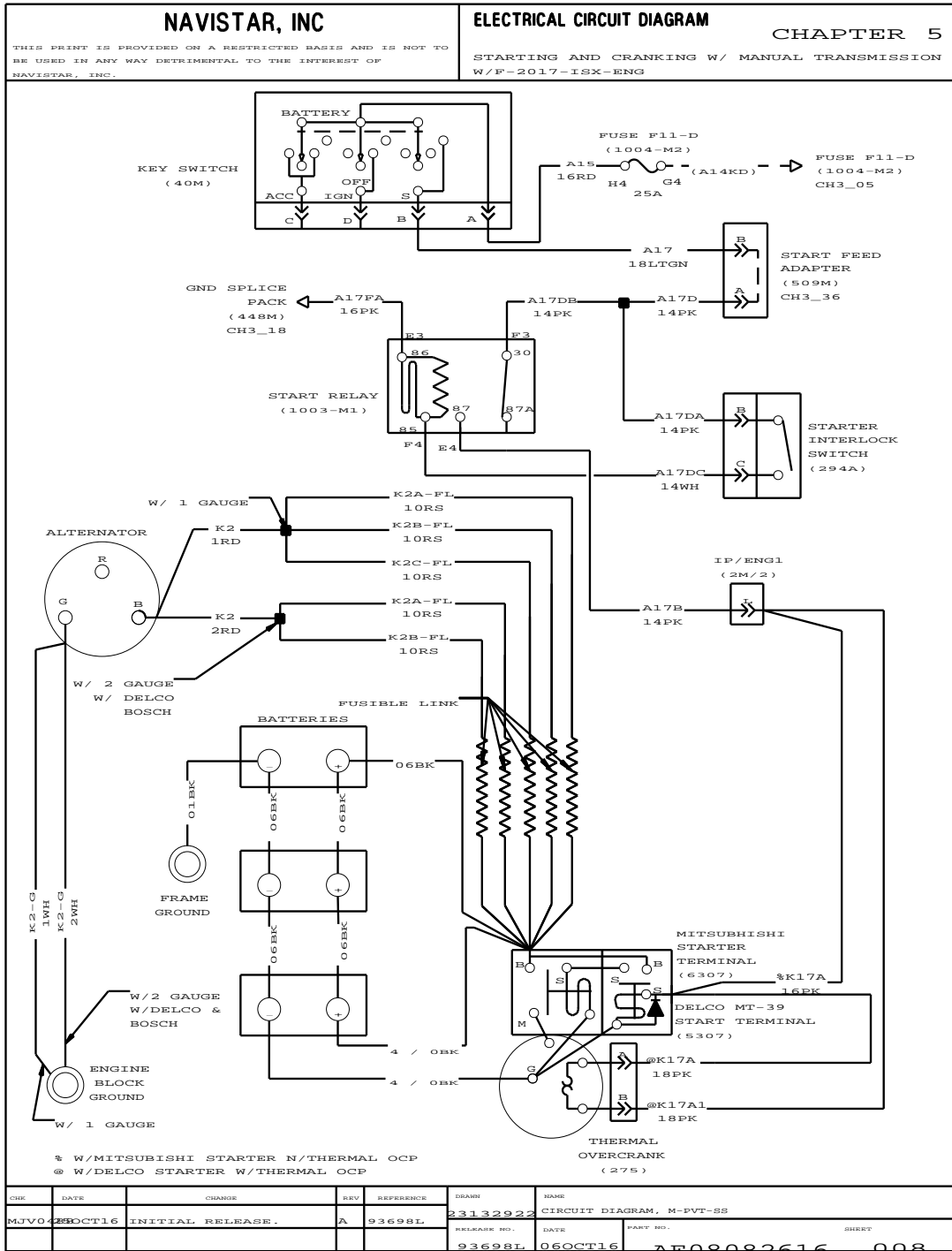


Figure 112 Starting and Cranking with Manual Transmission with F-2017 ISX Engine

5.9. STARTING AND CRANKING WITH ALLISON TRANSMISSION WITH F-2017 ISX ENGINE, P. 9

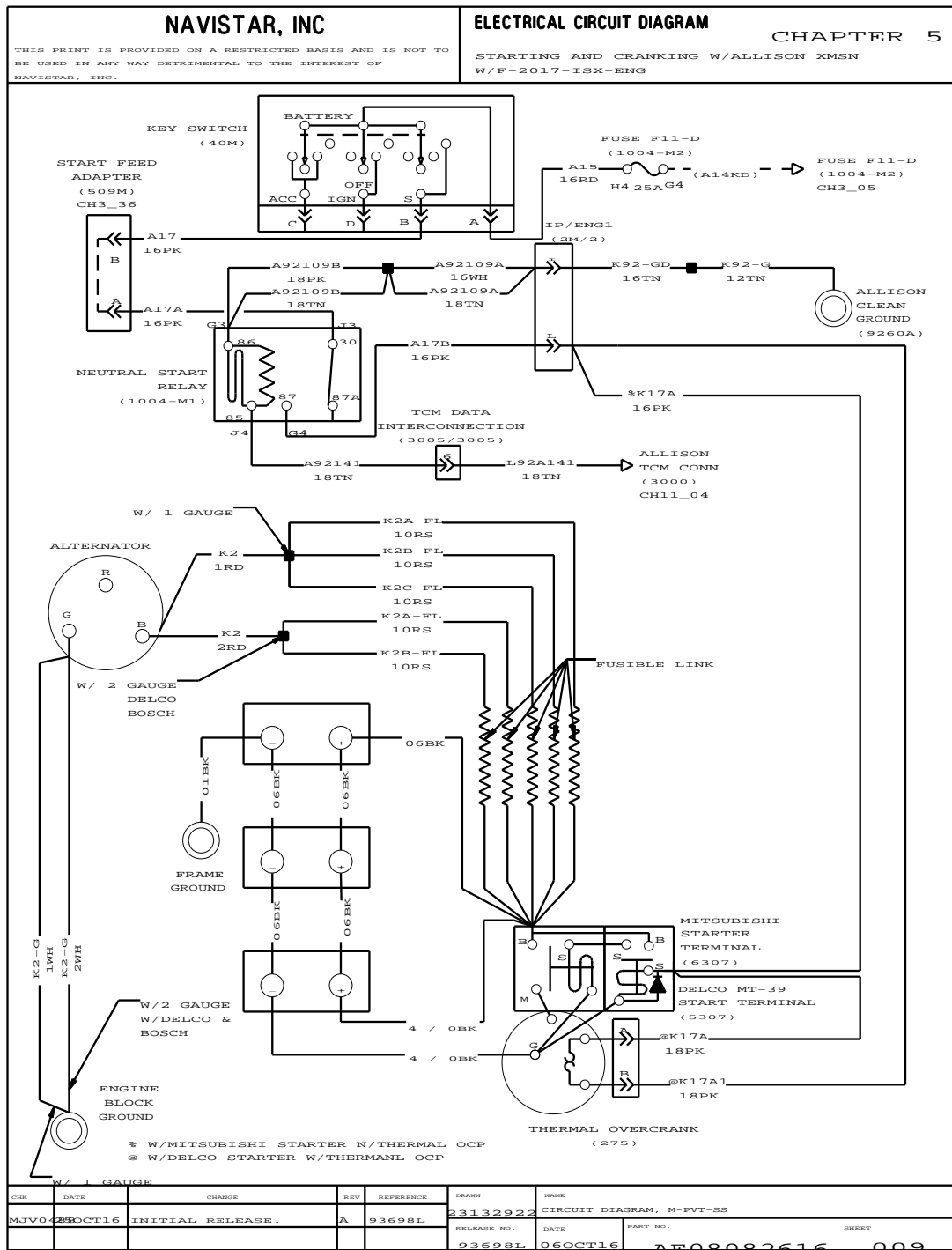


Figure 113 Starting and Cranking with Allison Transmission with F-2017 ISX Engine

5.10. STARTING AND CRANKING WITH MANUAL TRANSMISSION WITH THERMAL OVERCRANK N13 2017 ENGINE, P. 10

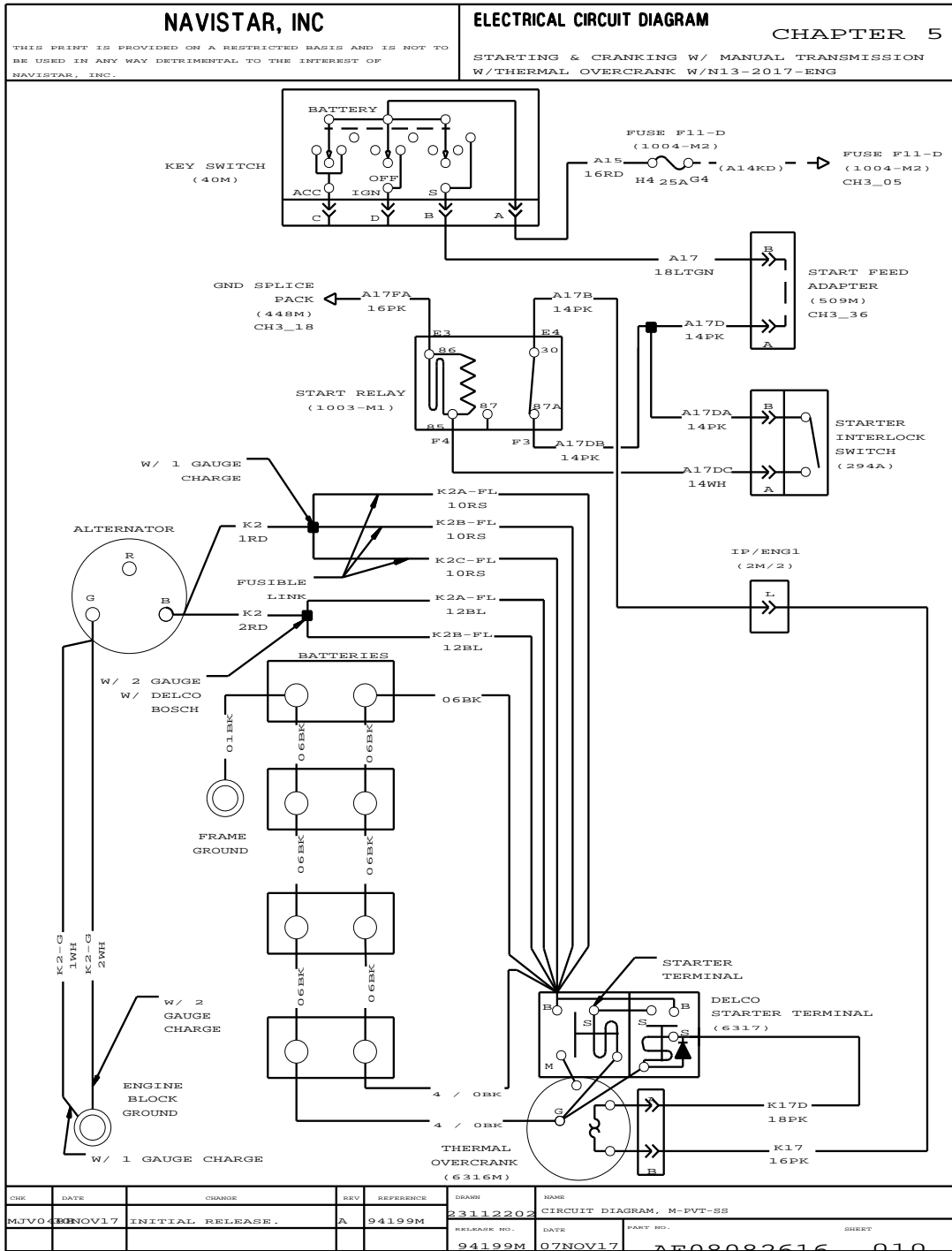


Figure 114 Starting and Cranking with Manual Transmission with Thermal Overcrank N13 2017 Engine

5.11. STARTING AND CRANKING WITH ULTRASHIFT TRANSMISSION WITHOUT THERMAL OVERCRANK N13 2017 ENGINE, P. 11

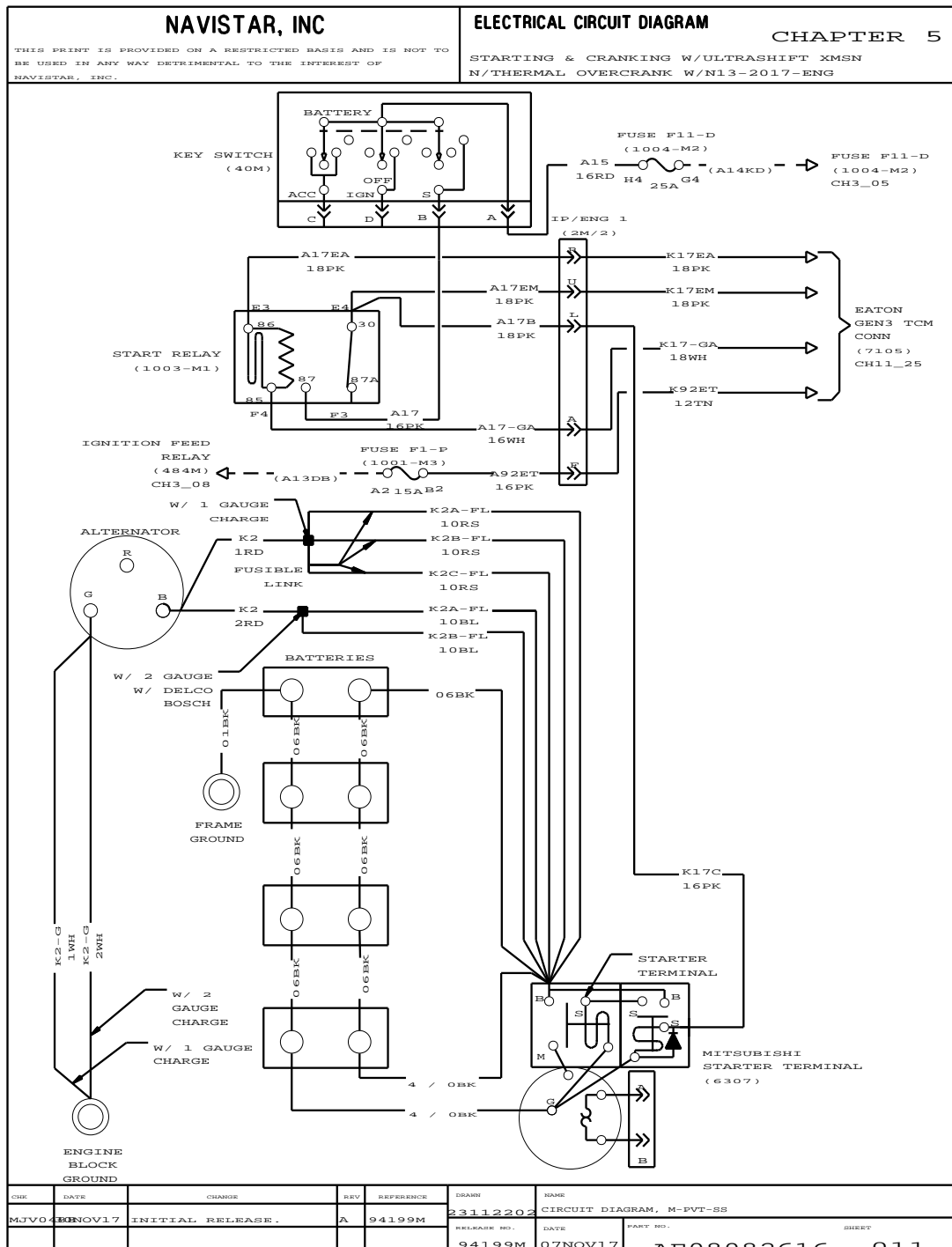


Figure 115 Starting and Cranking with Ultrashift Transmission without Thermal Overcrank N13 2017 Engine

5.12. STARTING AND CRANKING WITH ALLISON TRANSMISSION WITHOUT THERMAL OVERCRANK N13 2017 ENGINE, P. 12

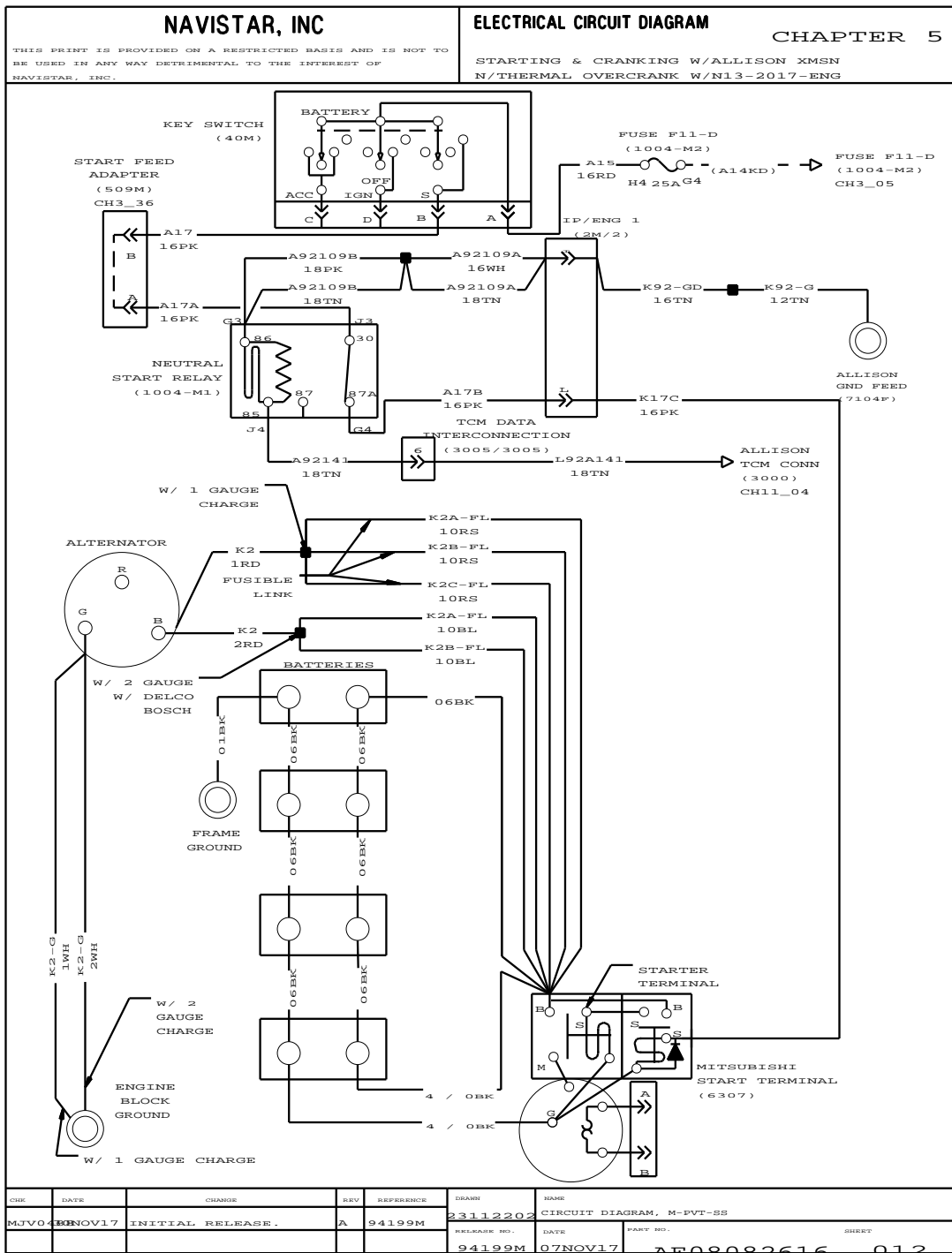


Figure 116 Starting and Cranking with Allison Transmission without Thermal Overcrank N13 2017 Engine

FAN WIRING (CHAPTER 6)

6.1. FAN WIRING WITHOUT A/C WITH F-2013, 2017 ISX ENGINE, P. 1

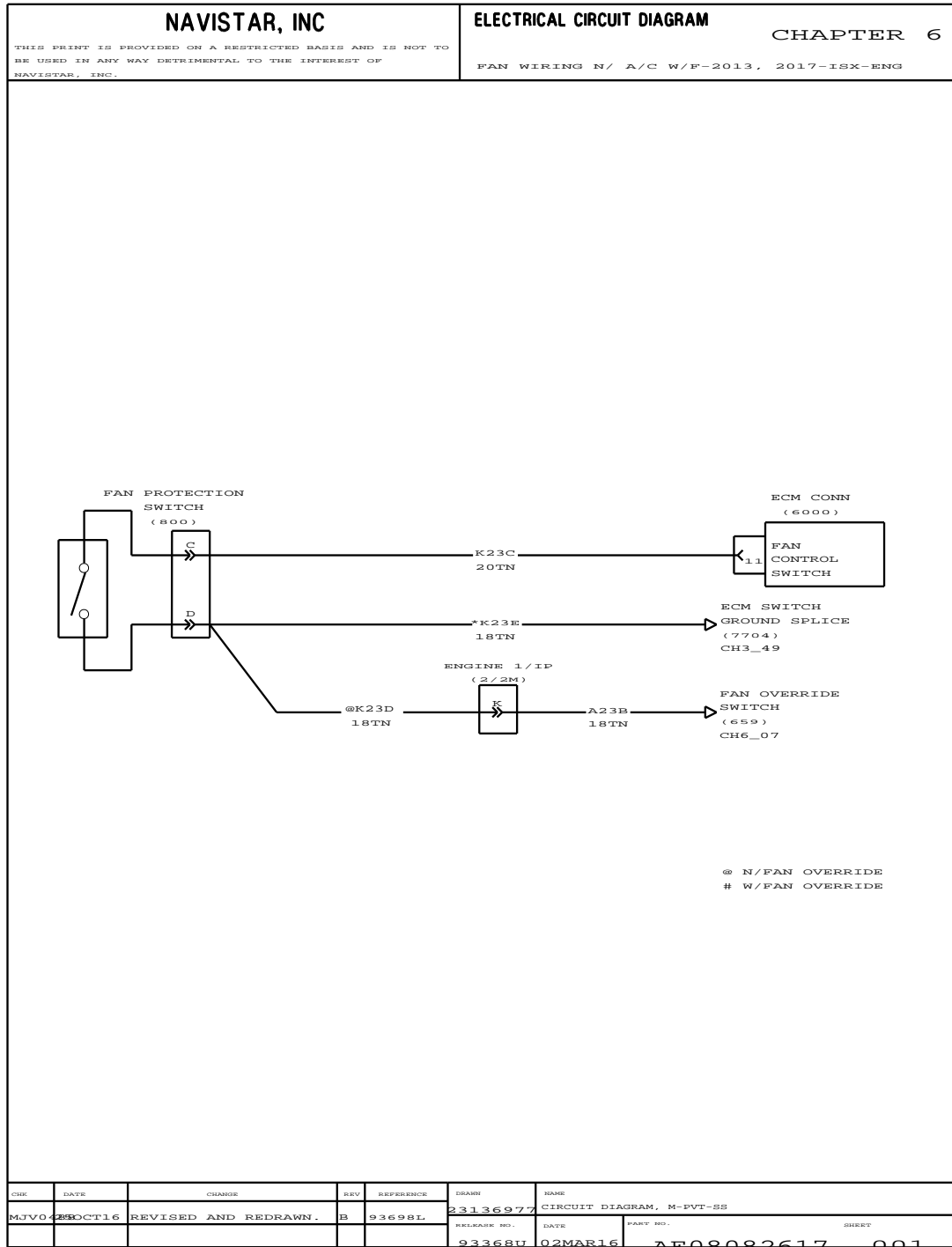


Figure 117 Fan Wiring without A/C with F-2013, 2017-ISX Engine

6.2. FAN WIRING WITH A/C, FAN OVERRIDE SWITCH WITHOUT AIR CONDITIONING PROTECTION AND DIAGNOSTIC SYSTEM (APADS) WITH F-2013, 2017 ISX ENGINE, P. 2

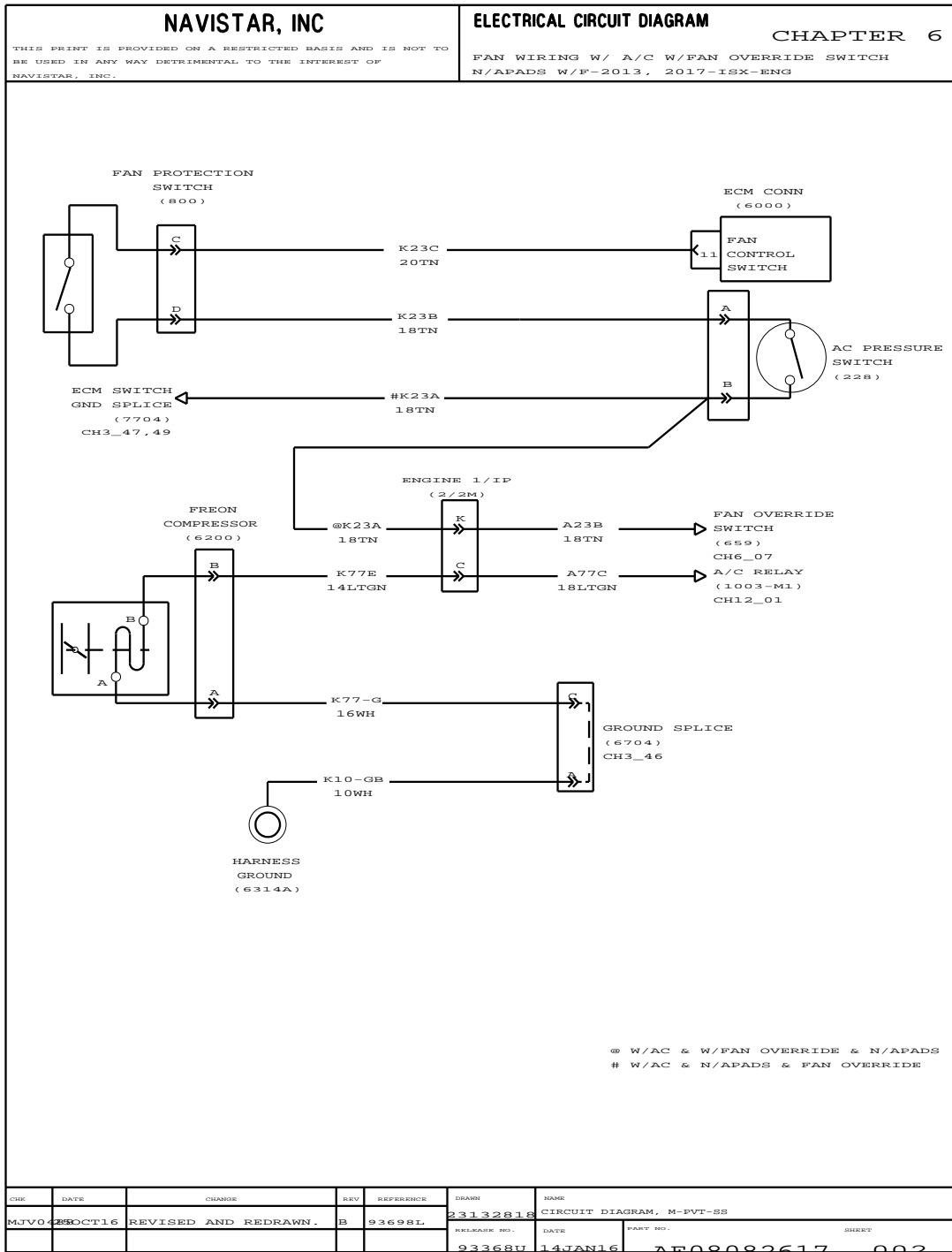


Figure 118 Fan Wiring with A/C, Fan Override Switch without Air Conditioning Protection and Diagnostic System (APADS) with F-2013, 2017 ISX Engine

6.3. FAN WIRING WITH A/C WITH APADS WITH F-2013, 2017 ISX ENGINE, P. 3

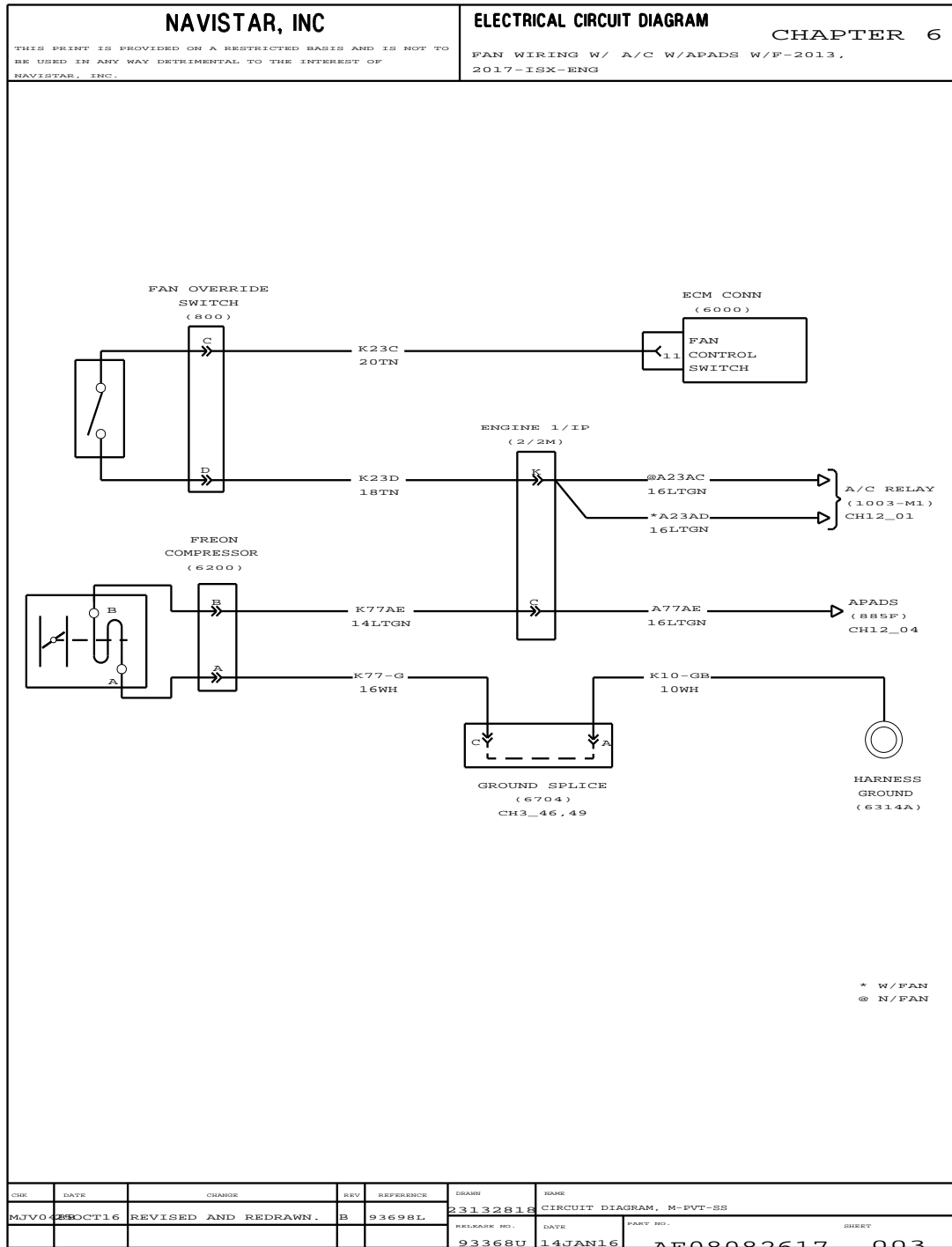


Figure 119 Fan Wiring with A/C with APADS with F-2013, 2017 ISX Engine

6.4. FAN WIRING WITH TWO SPEED WITH N13 ENGINE, P. 4

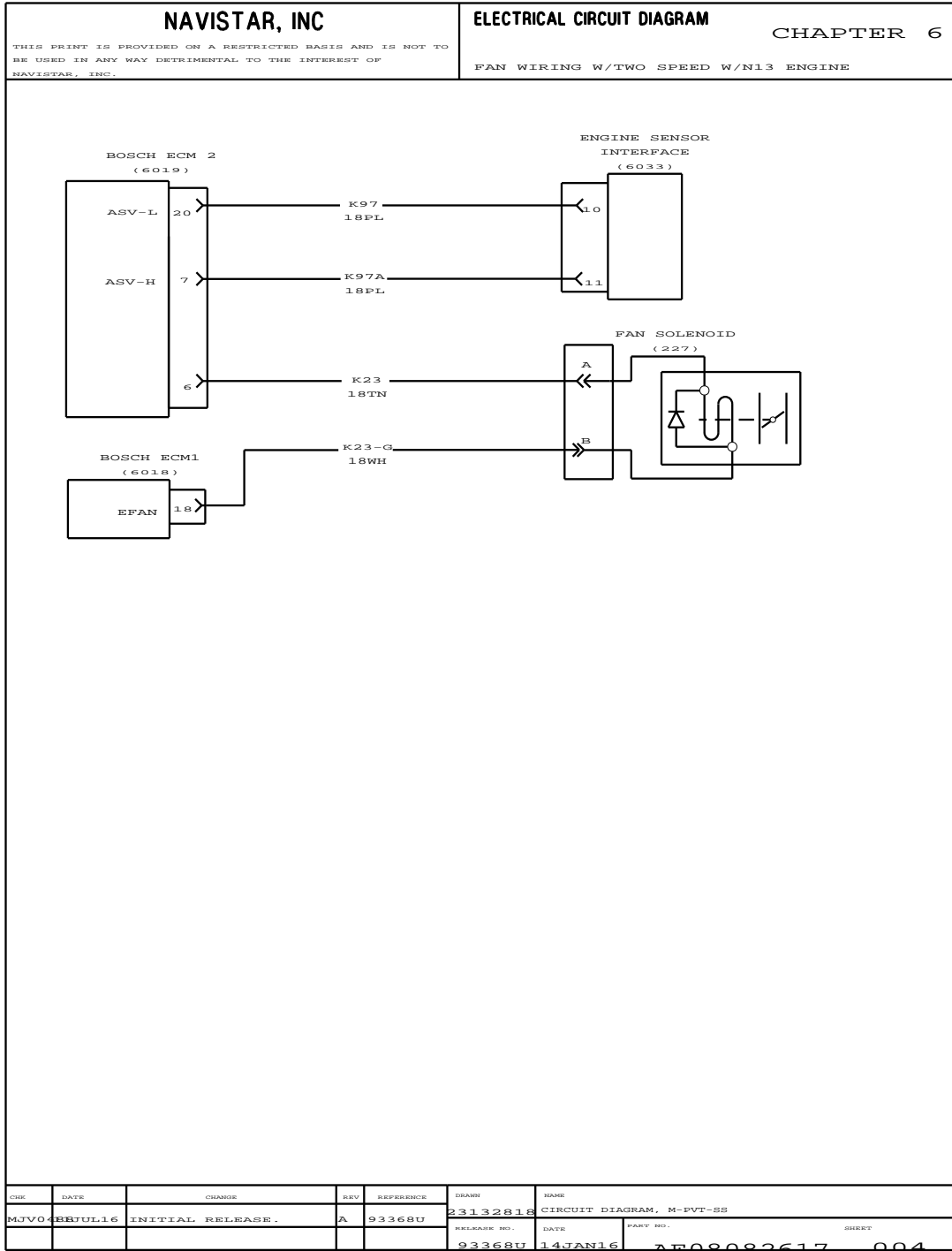


Figure 120 Fan Wiring with Two Speed with N13 Engine

6.5. FAN WIRING WITH A/C, FAN OVERRIDE WITH F-2010 SCR 13L ENGINE, P. 5

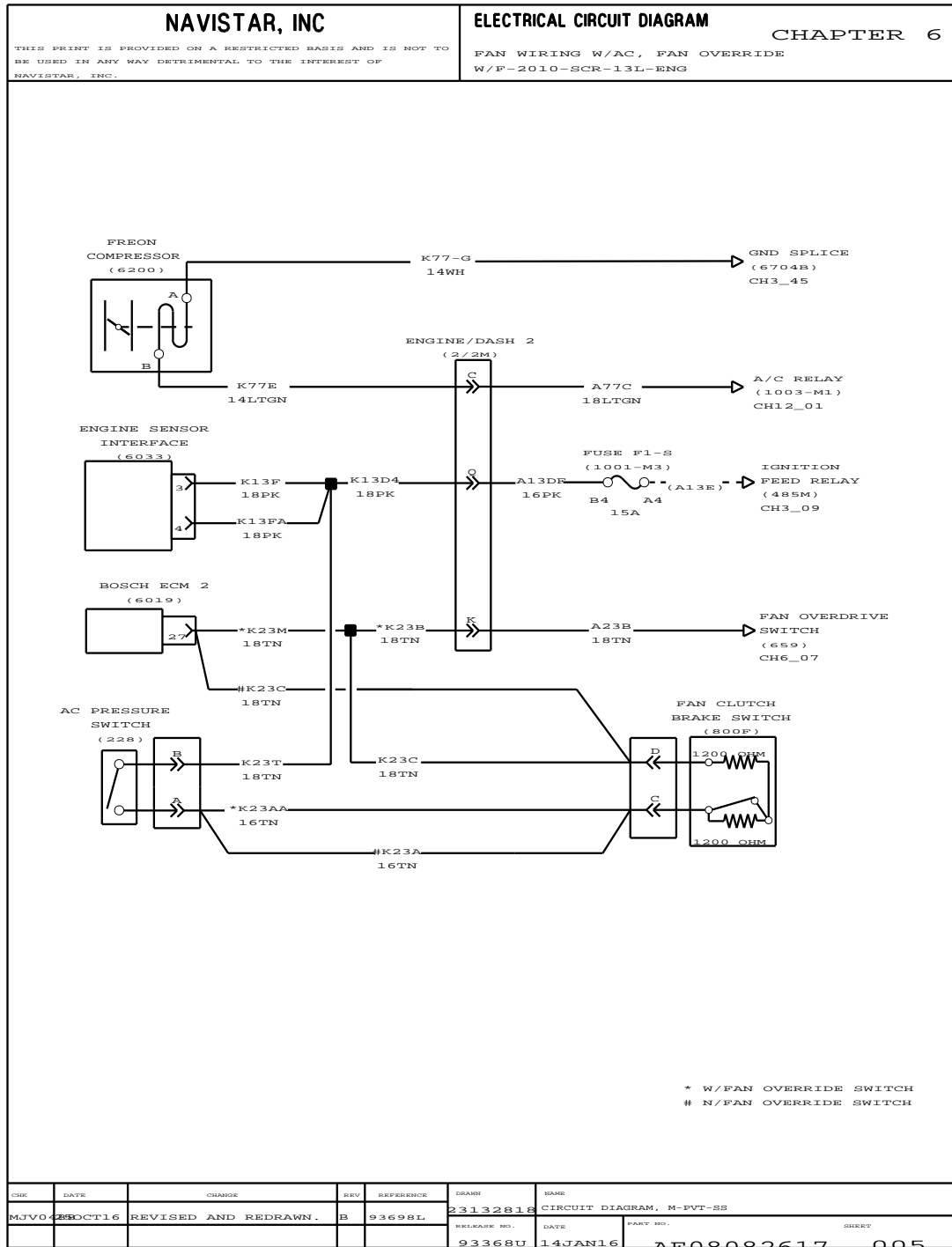


Figure 121 Fan Wiring with A/C, Fan Override with F-2010 SCR 13L Engine

6.6. FAN WIRING WITHOUT A/C, WITH F-2010 SCR 13L ENGINE, P. 5A

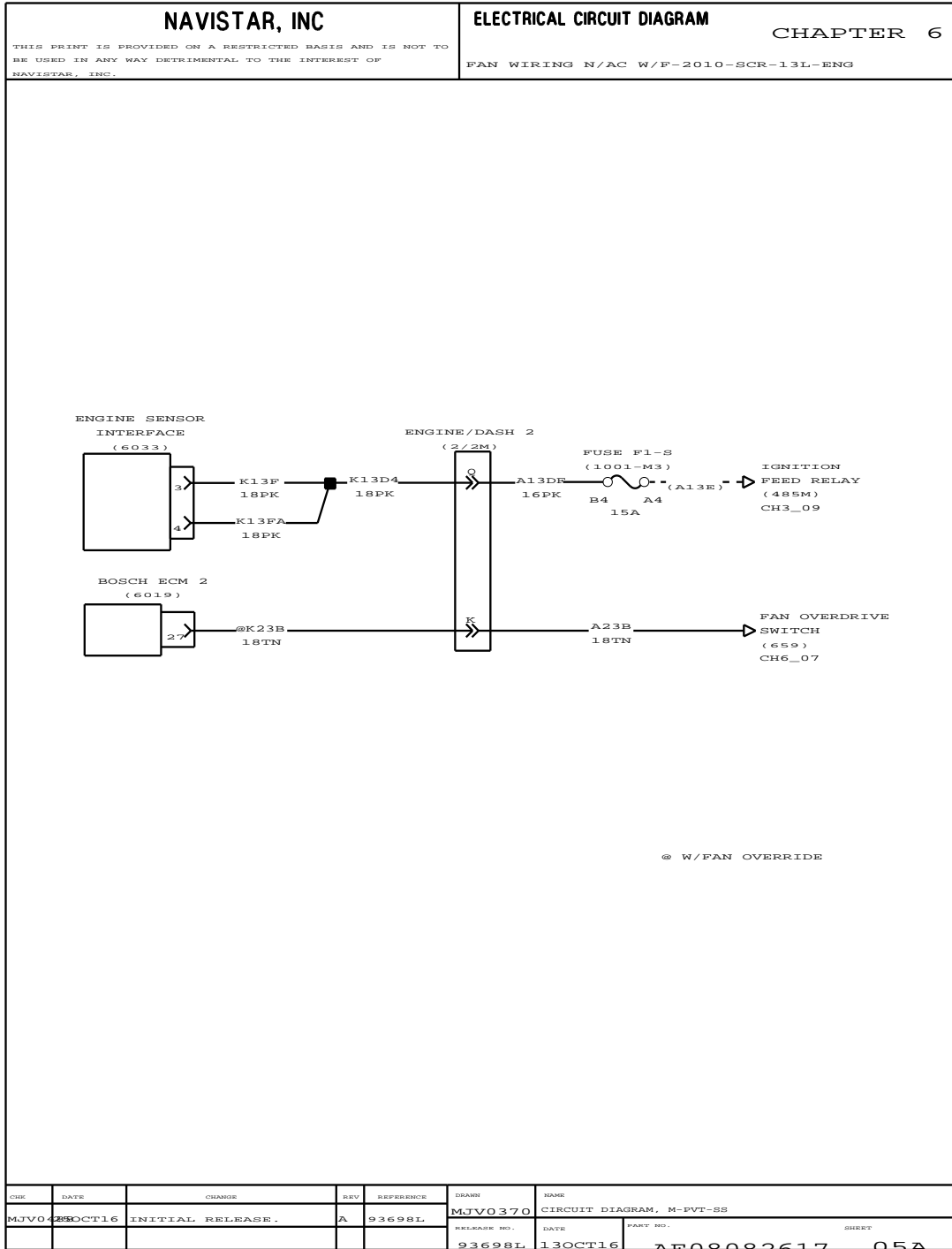


Figure 122 Fan Wiring without A/C, with F-2010-SCR-13L Engine

6.7. FAN WIRING WITH APADS WITH N13 ENGINE, P. 6

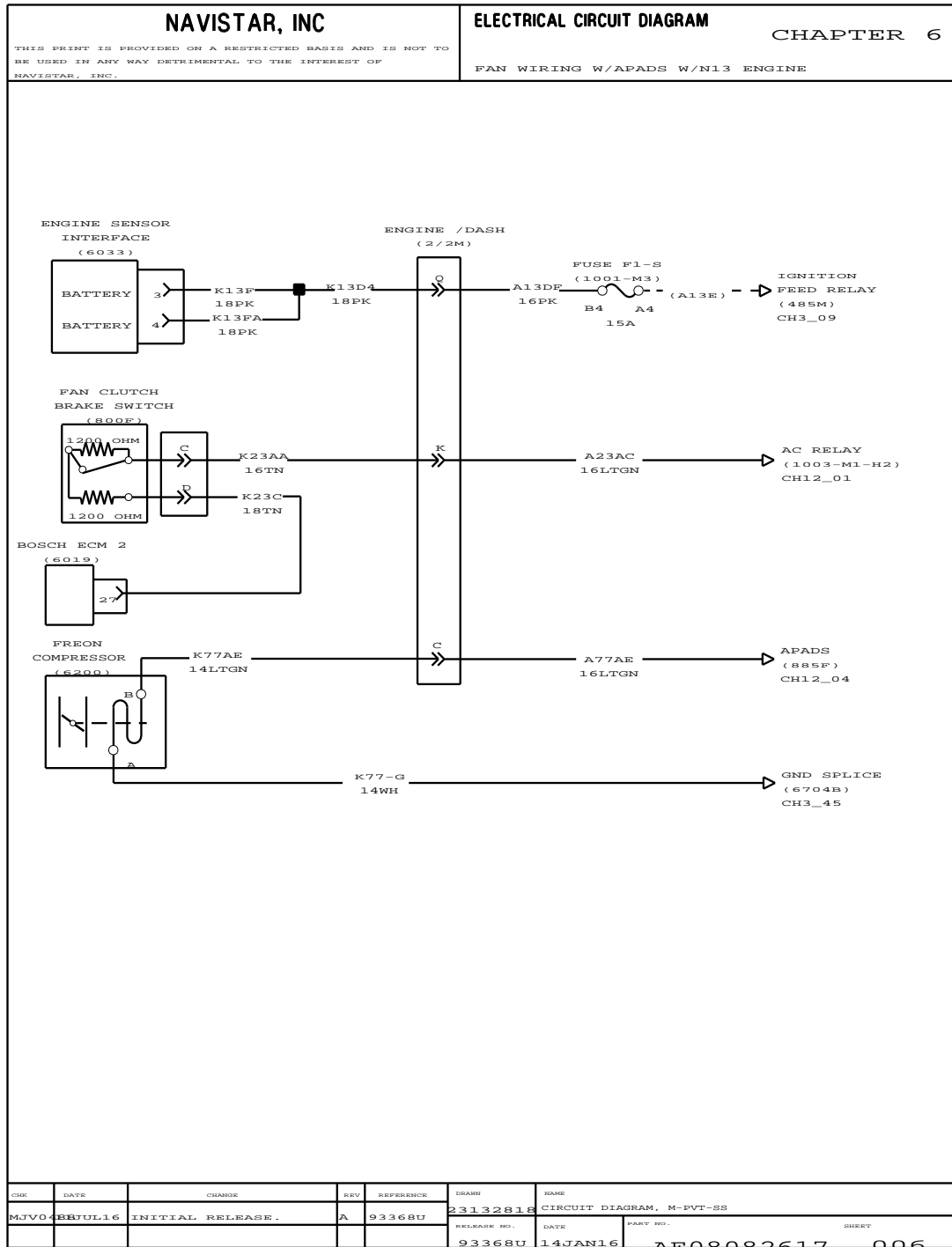


Figure 123 Fan Wiring with APADS with N13 Engine

6.8. FAN WIRING WITH OVERRIDE SWITCH, P. 7

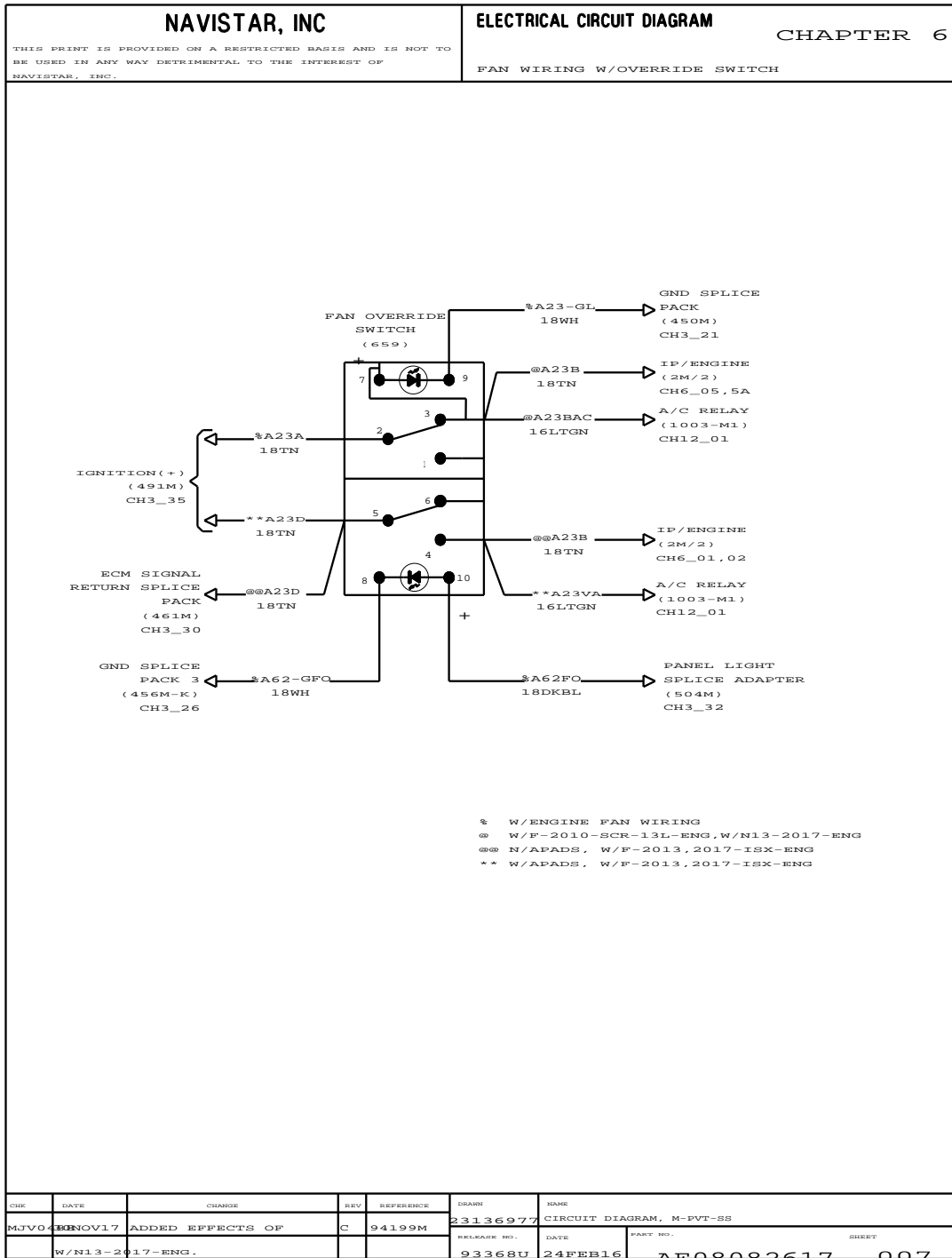


Figure 124 Fan Wiring with Override Switch

6.9. SLEEPER BOX WITH AUXILIARY FAN CONNECTIONS, P. 8

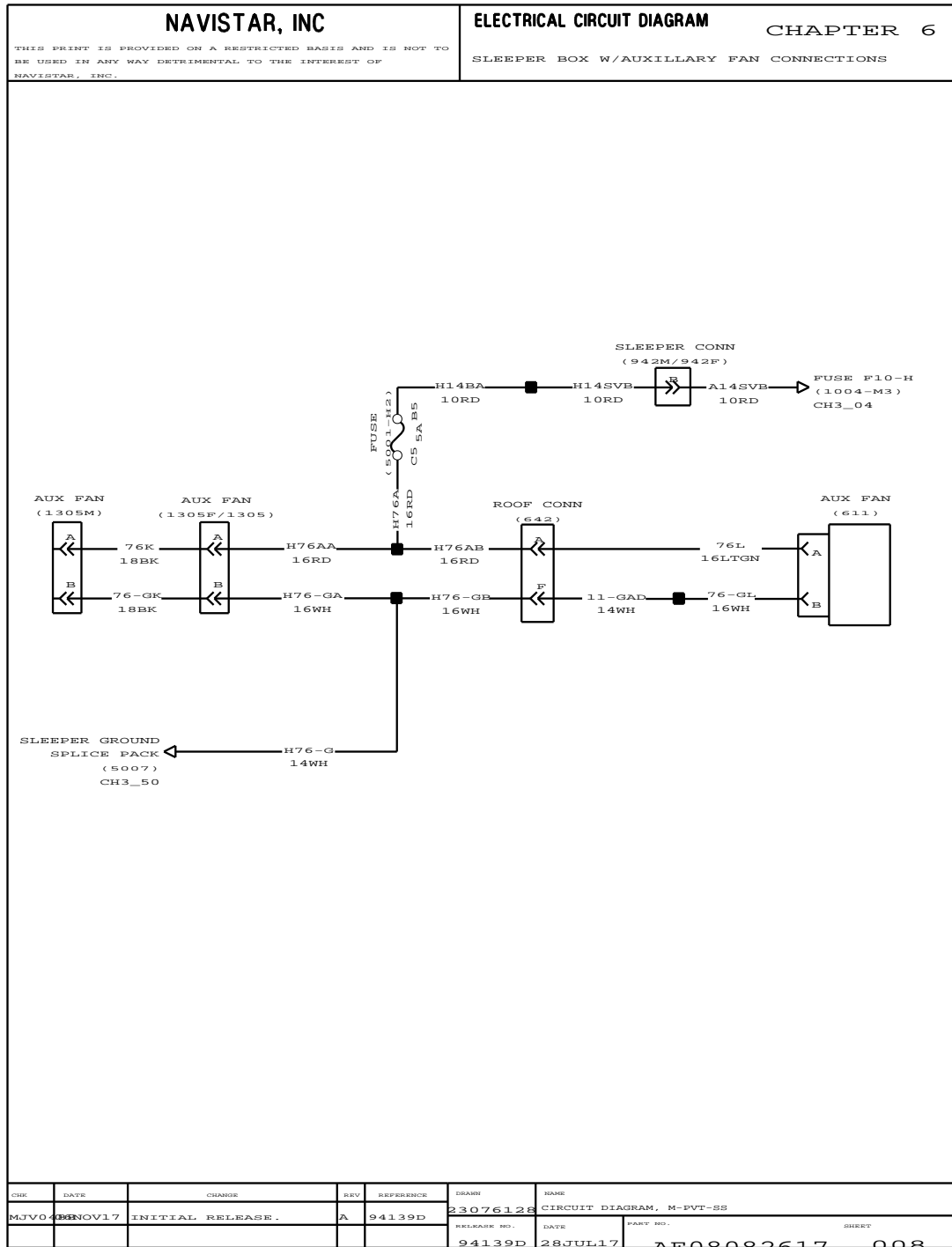


Figure 125 Sleeper Box with Auxiliary Fan Connections

6.10. FAN WIRING WITH A/C APADS WITH N13 2017 ENGINE, P. 9

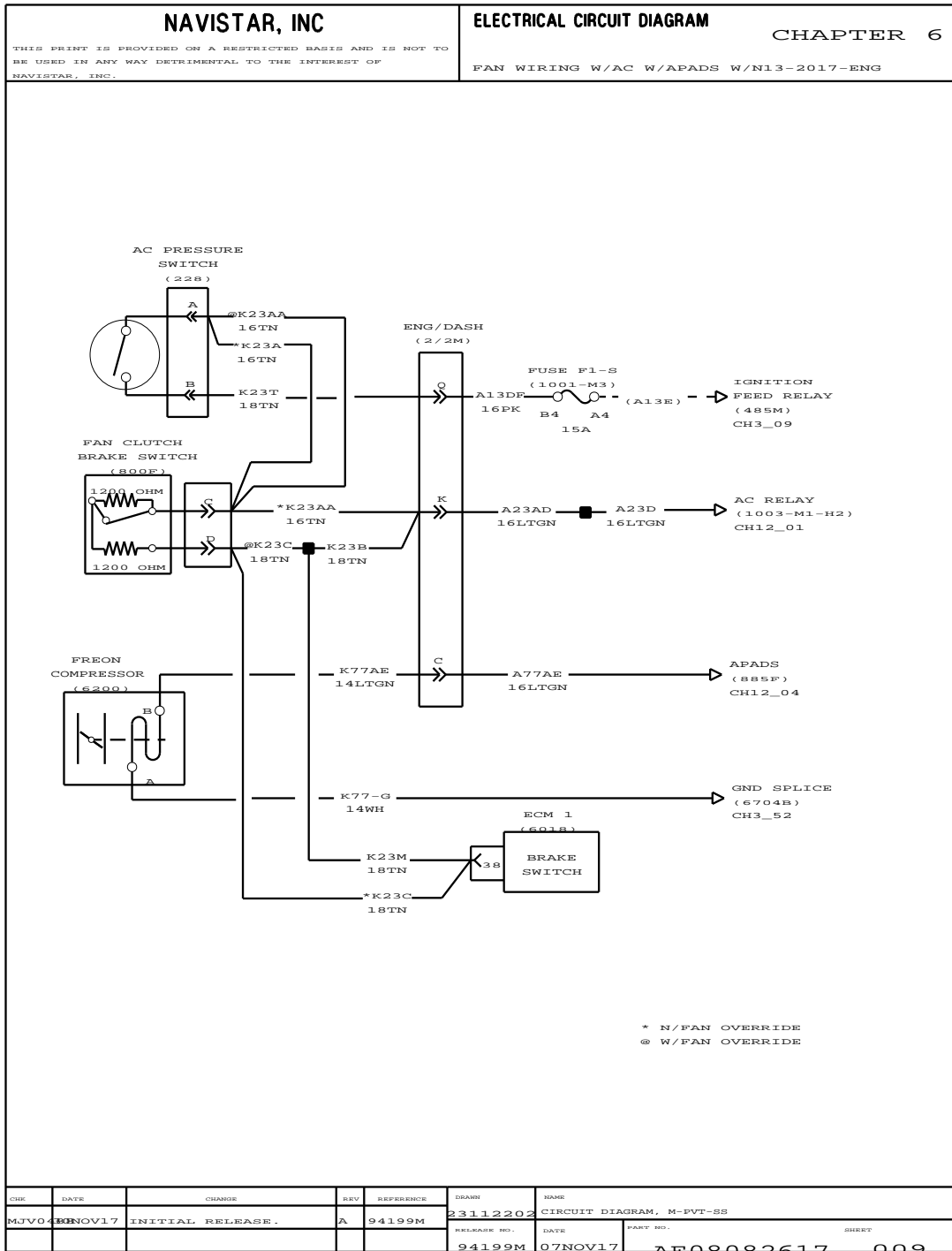


Figure 126 Fan Wiring with A/C APADS with N13 2017 Engine

6.11. FAN WIRING WITH TWO SPEED N13 2017 ENGINE, P. 10

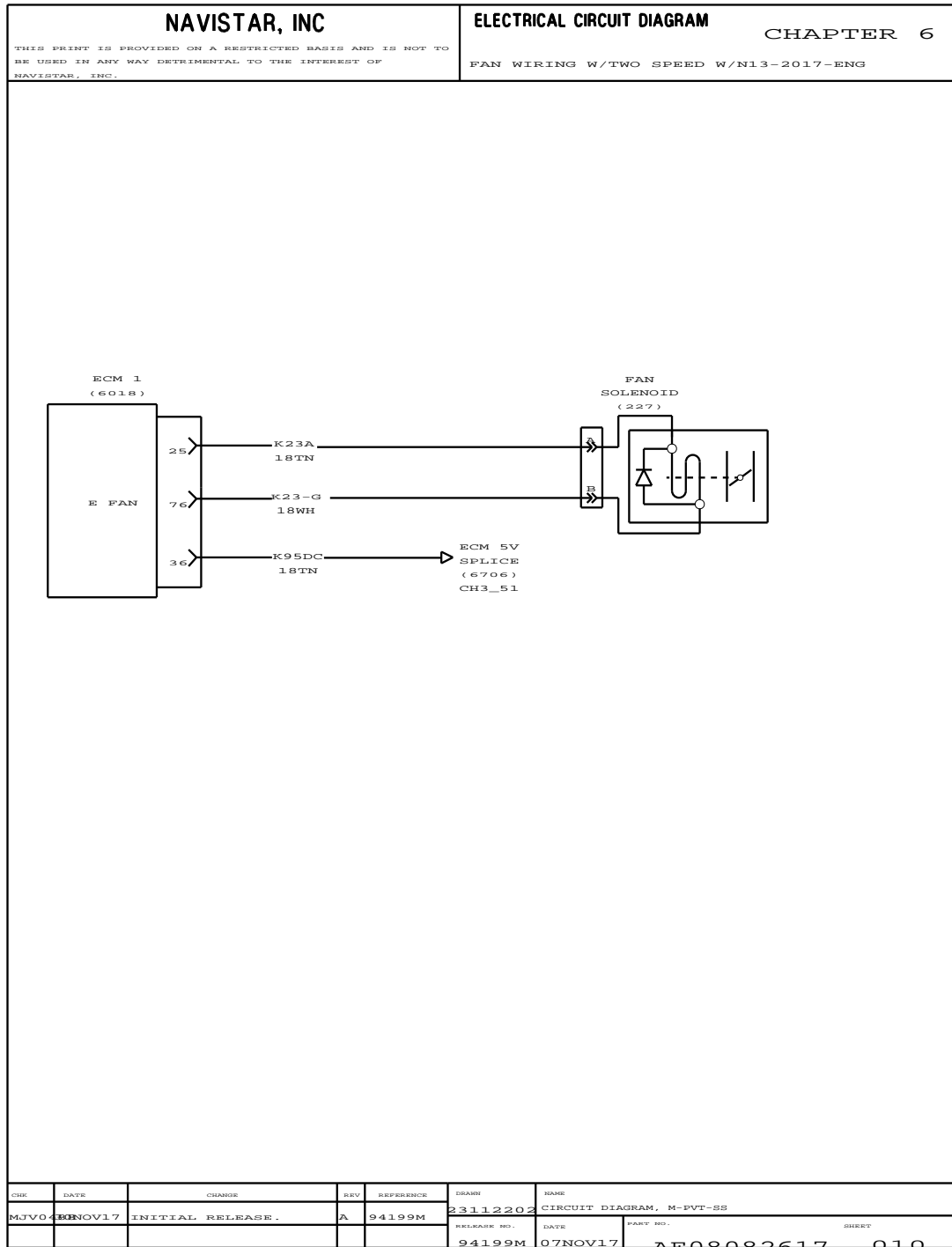


Figure 127 Fan Wiring with Two Speed N13 2017 Engine

6.12. FAN WIRING WITH DEFROSTER N13 2017 ENGINE, P. 11

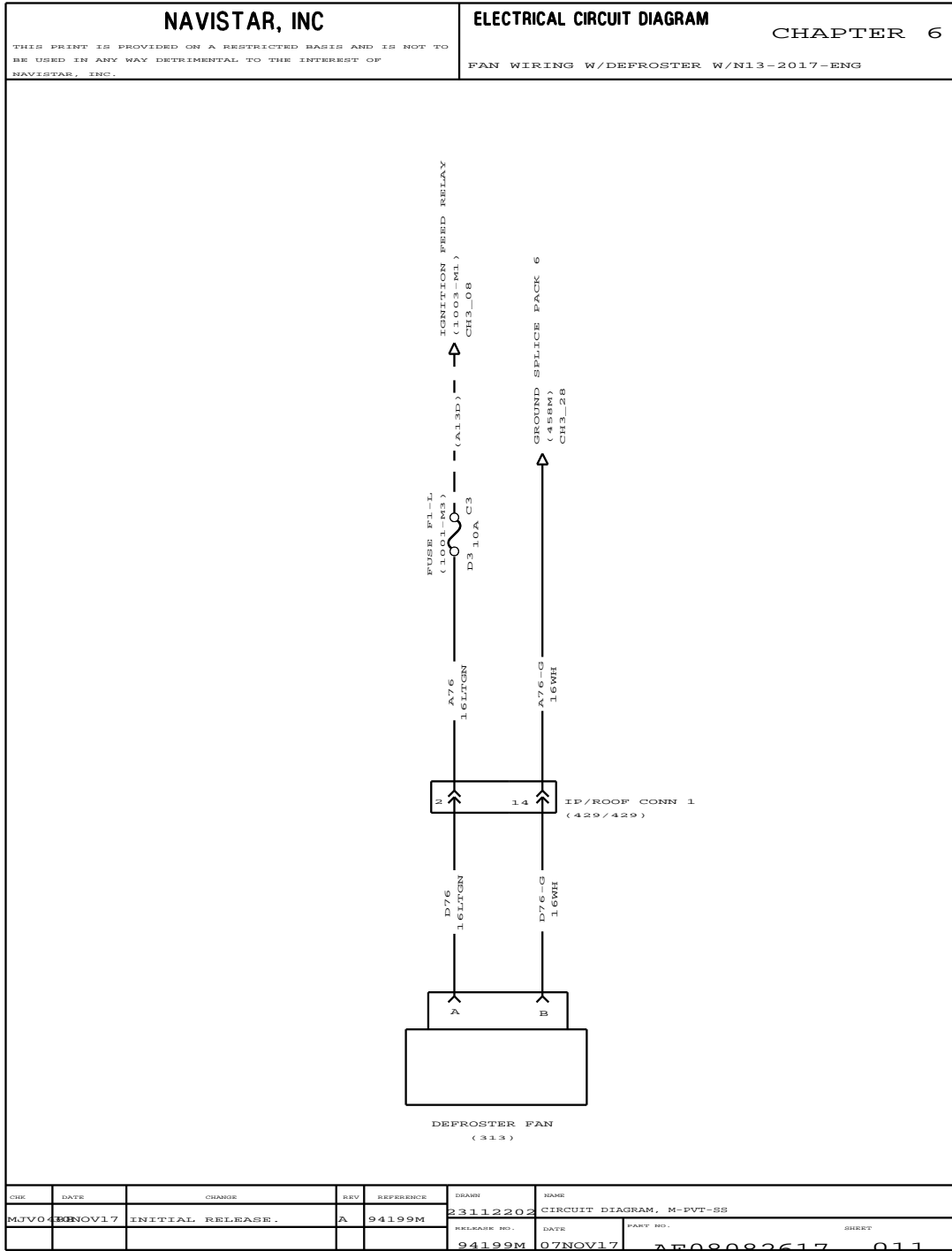


Figure 128 Sleeper Box with Defroster N13 2017 Engine

ENGINE SYSTEMS (CHAPTER 7)

7.1. CRUISE CONTROL WITH F-2013 ISX ENGINE, P. 1

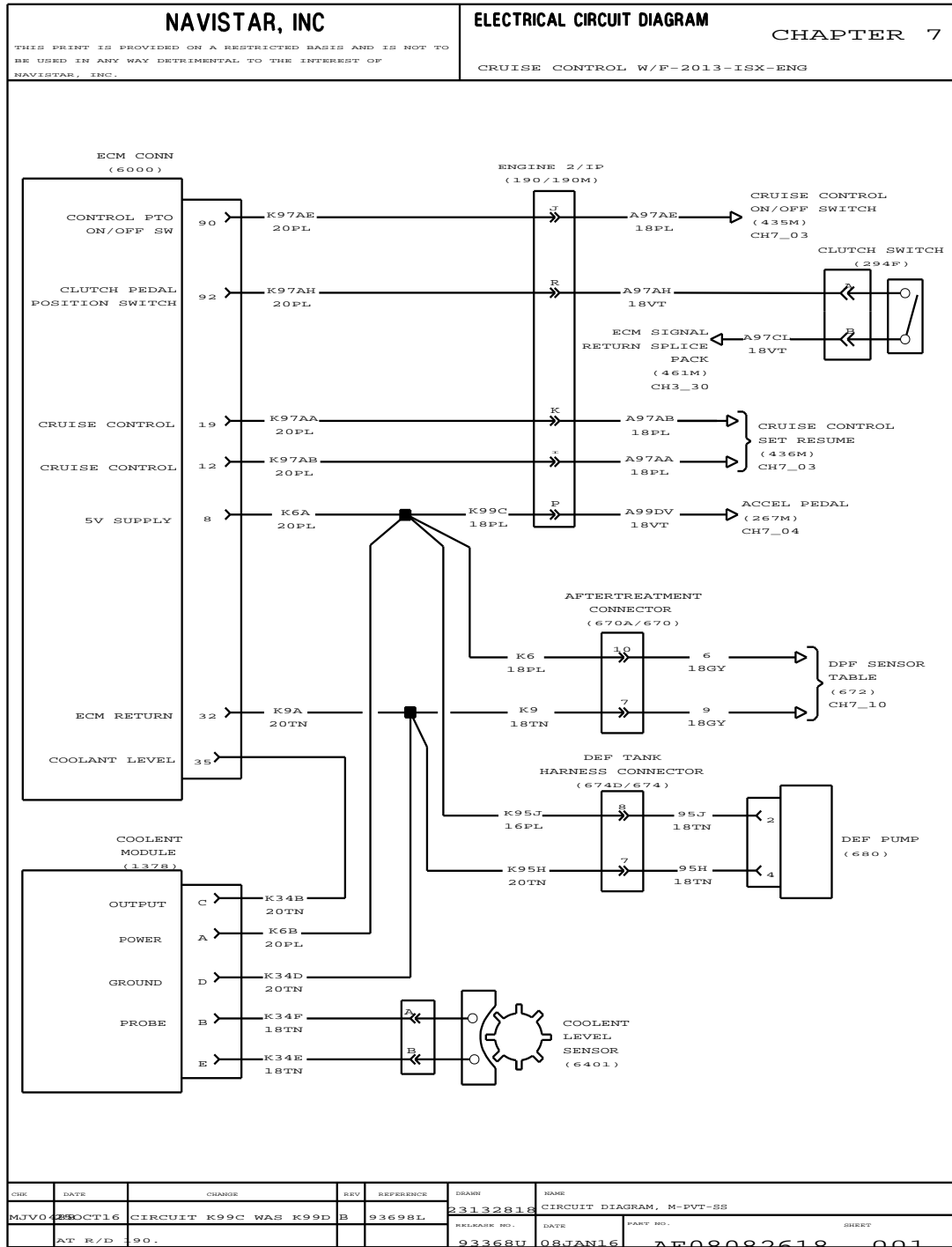


Figure 129 Cruise Control with F-2013 ISX Engine

7.2. CRUISE CONTROL WITH F-2013 ISX ENGINE (CONT.), P. 2

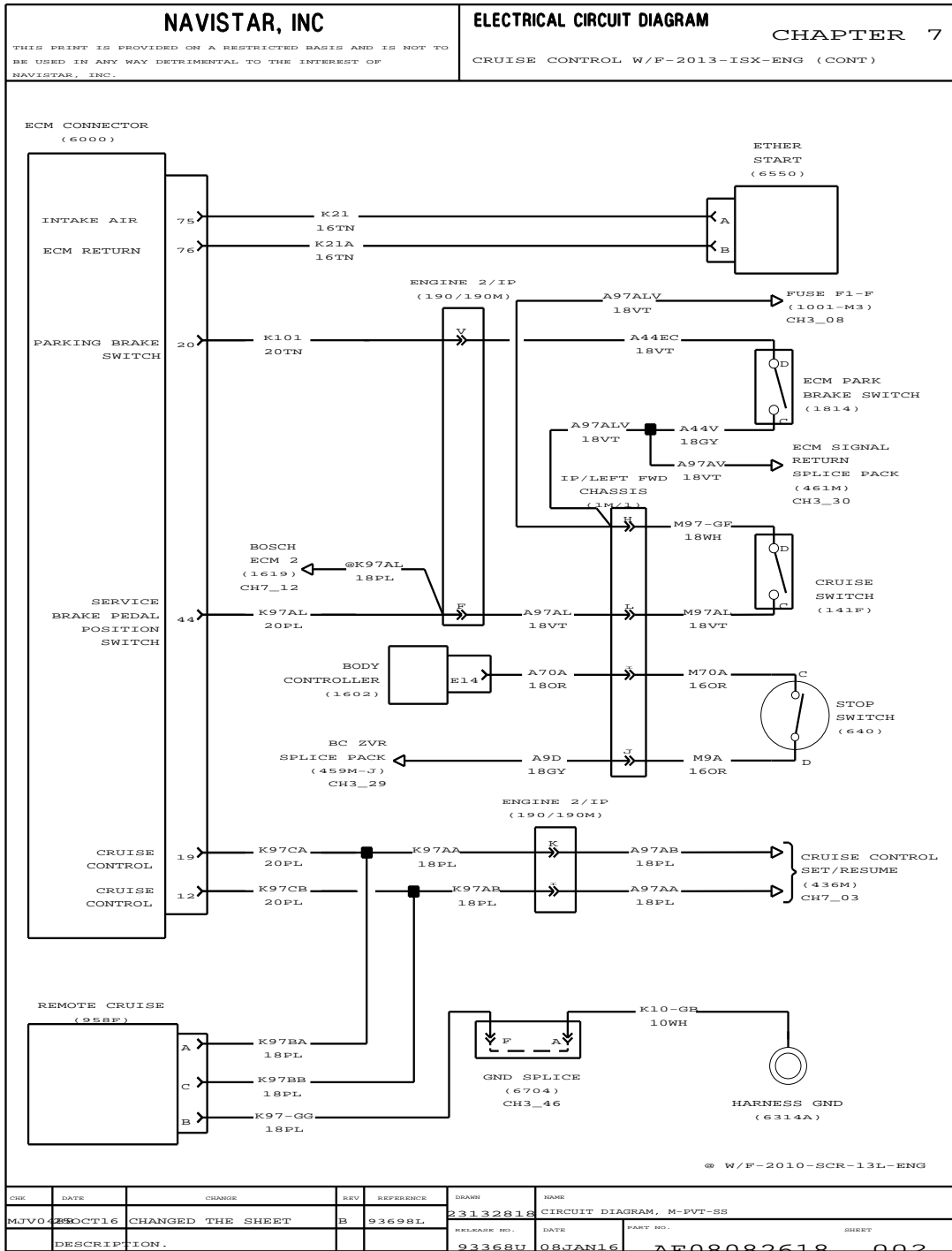


Figure 130 Cruise Control with F-2013 ISX Engine (Cont.)

7.3. CRUISE CONTROL WITH F-2013 ISX ENGINE (CONT.), P. 3

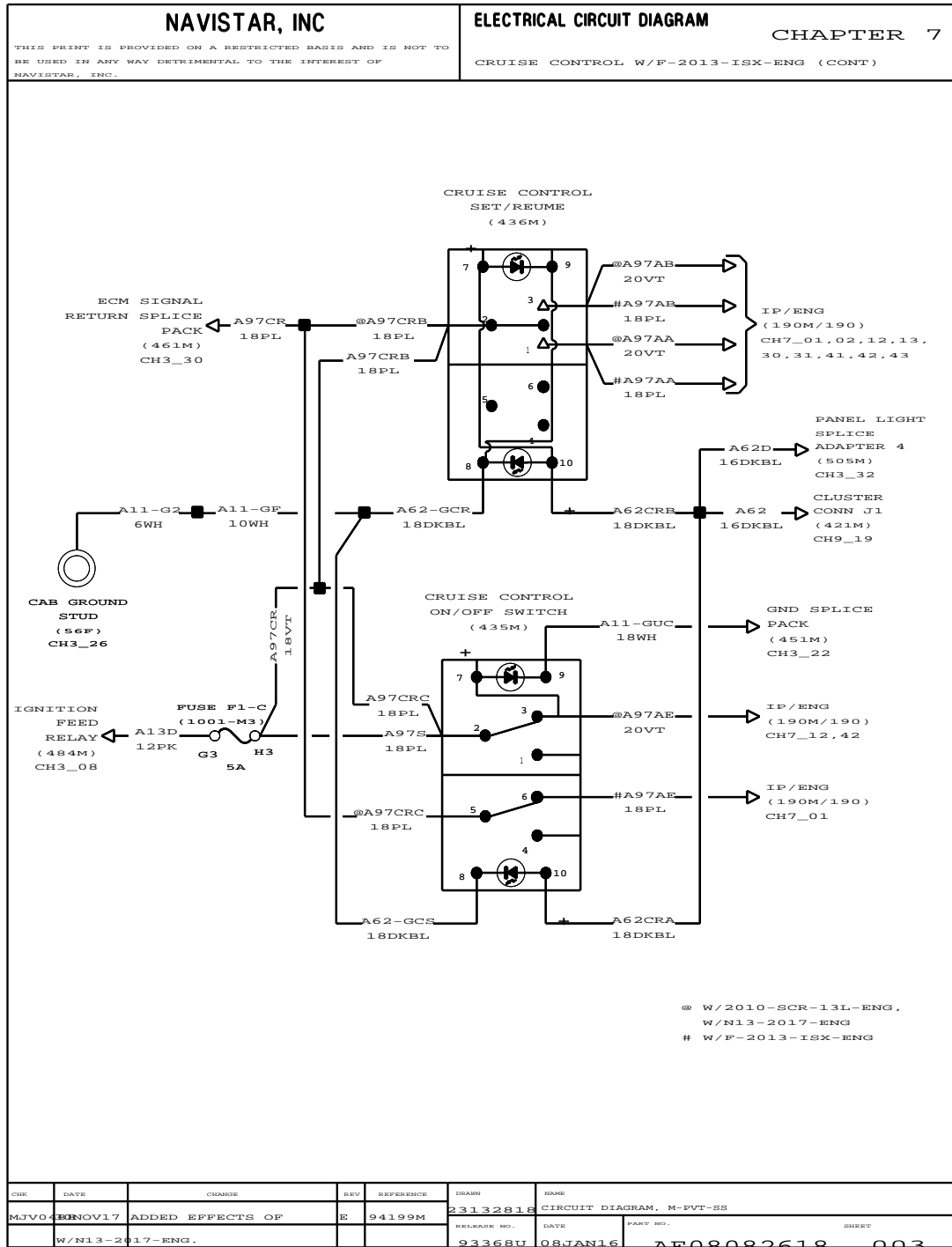


Figure 131 Cruise Control with F-2013 ISX Engine (Cont.)

7.4. ACCELERATOR WIRING WITH F-2013 ISX ENGINE, P. 4

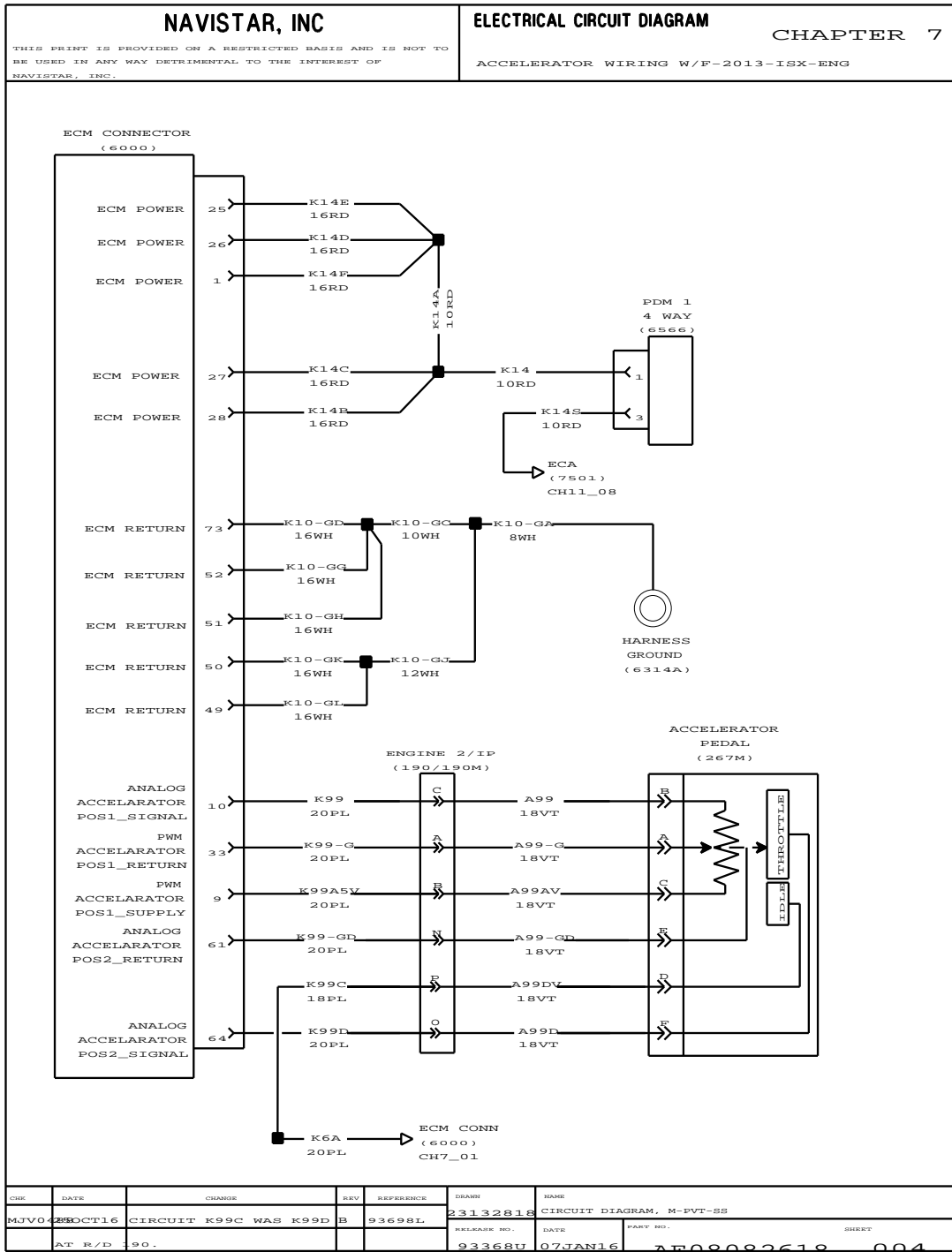


Figure 132 Accelerator Wiring with F-2013 ISX Engine

7.5. DIESEL EXHAUST FLUID (DEF) AND AFTERTREATMENT WITH F-2013 ISX ENGINE, P. 5

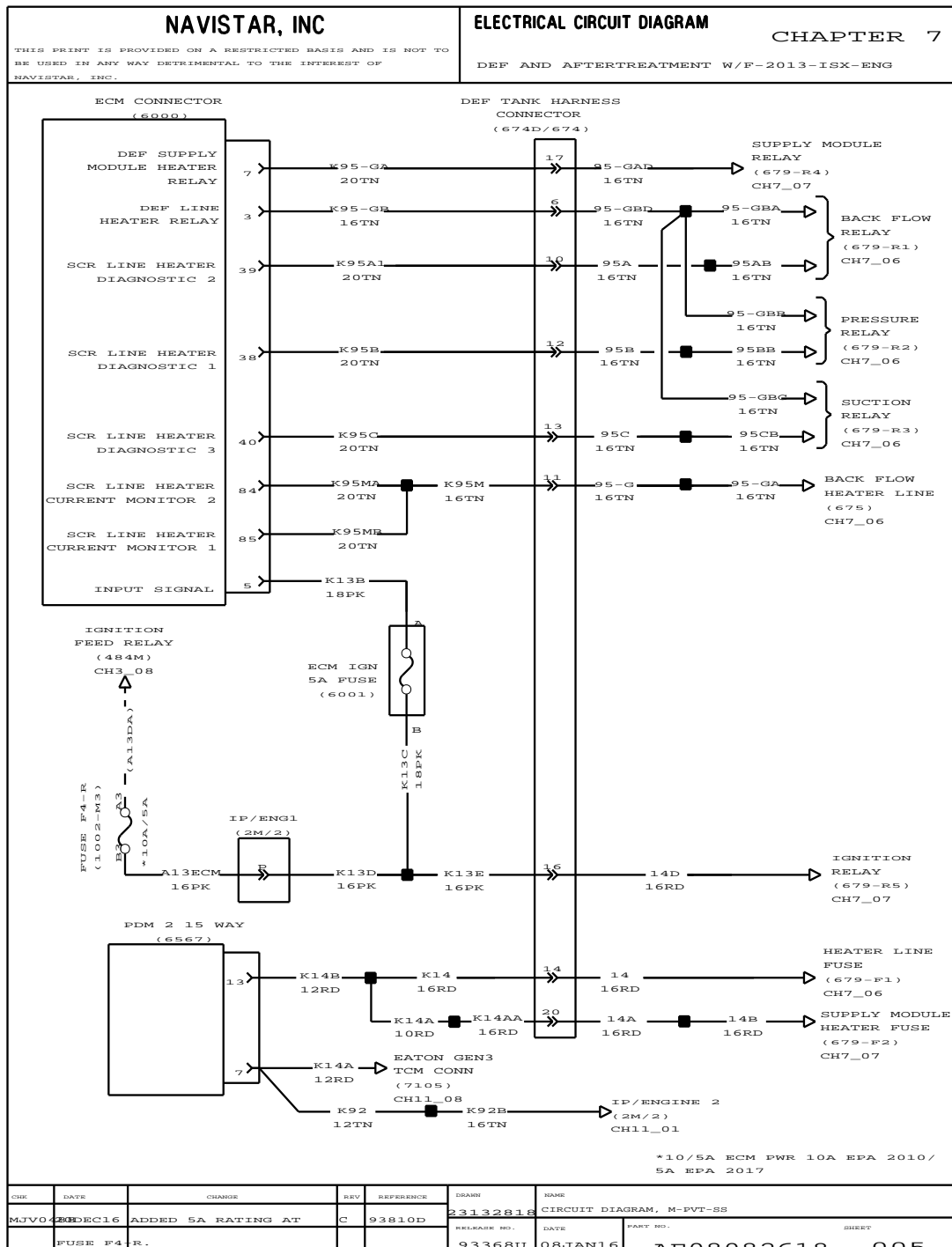


Figure 133 Diesel Exhaust Fluid (DEF) and Aftertreatment with F-2013 ISX Engine

7.6. DEF AND AFTERTREATMENT WITH F-2013 ISX ENGINE (CONT.), P. 6

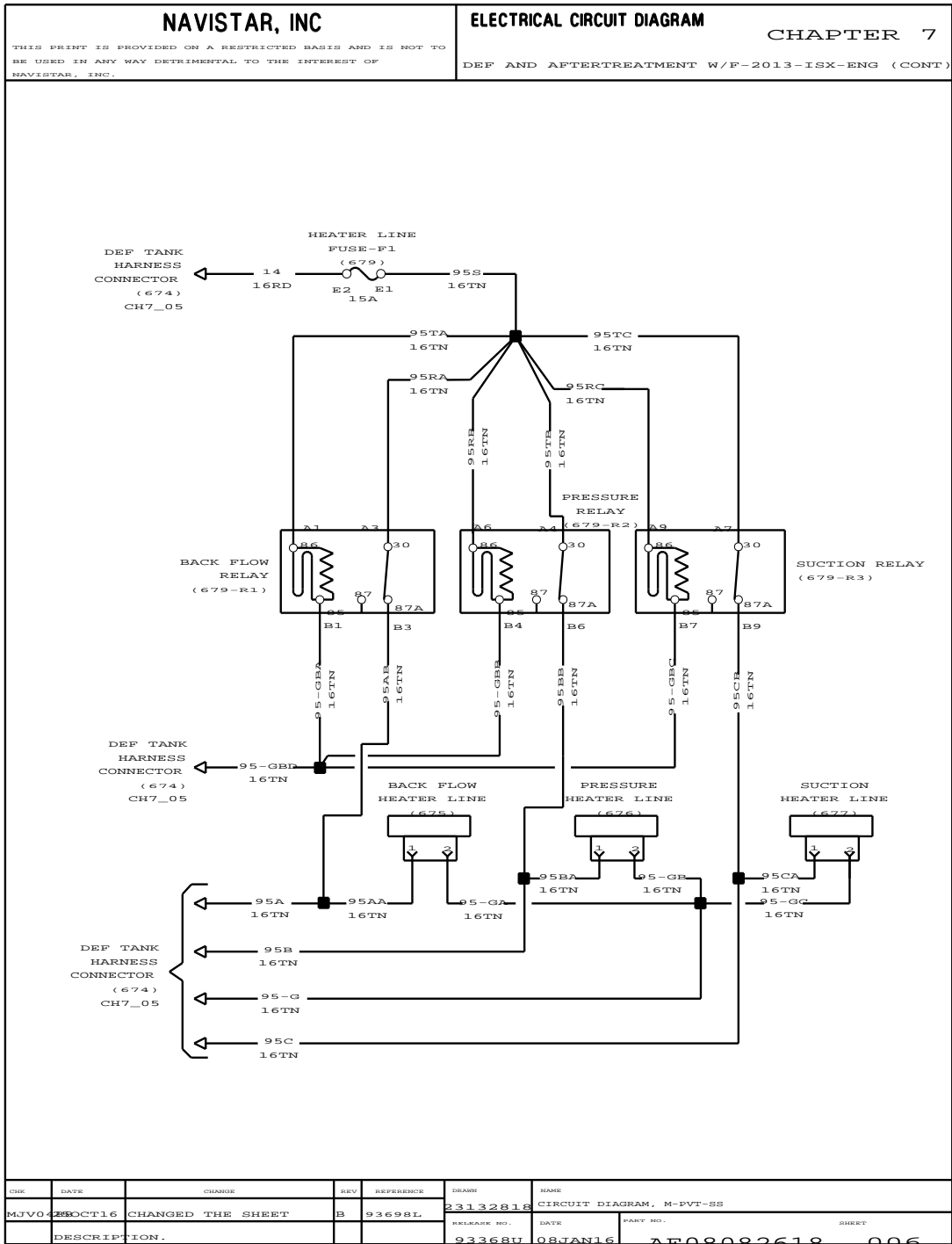


Figure 134 DEF and Aftertreatment with F-2013 ISX Engine (Cont.)

7.7. DEF AND AFTERTREATMENT WITH F-2013 ISX ENGINE (CONT.), P. 7

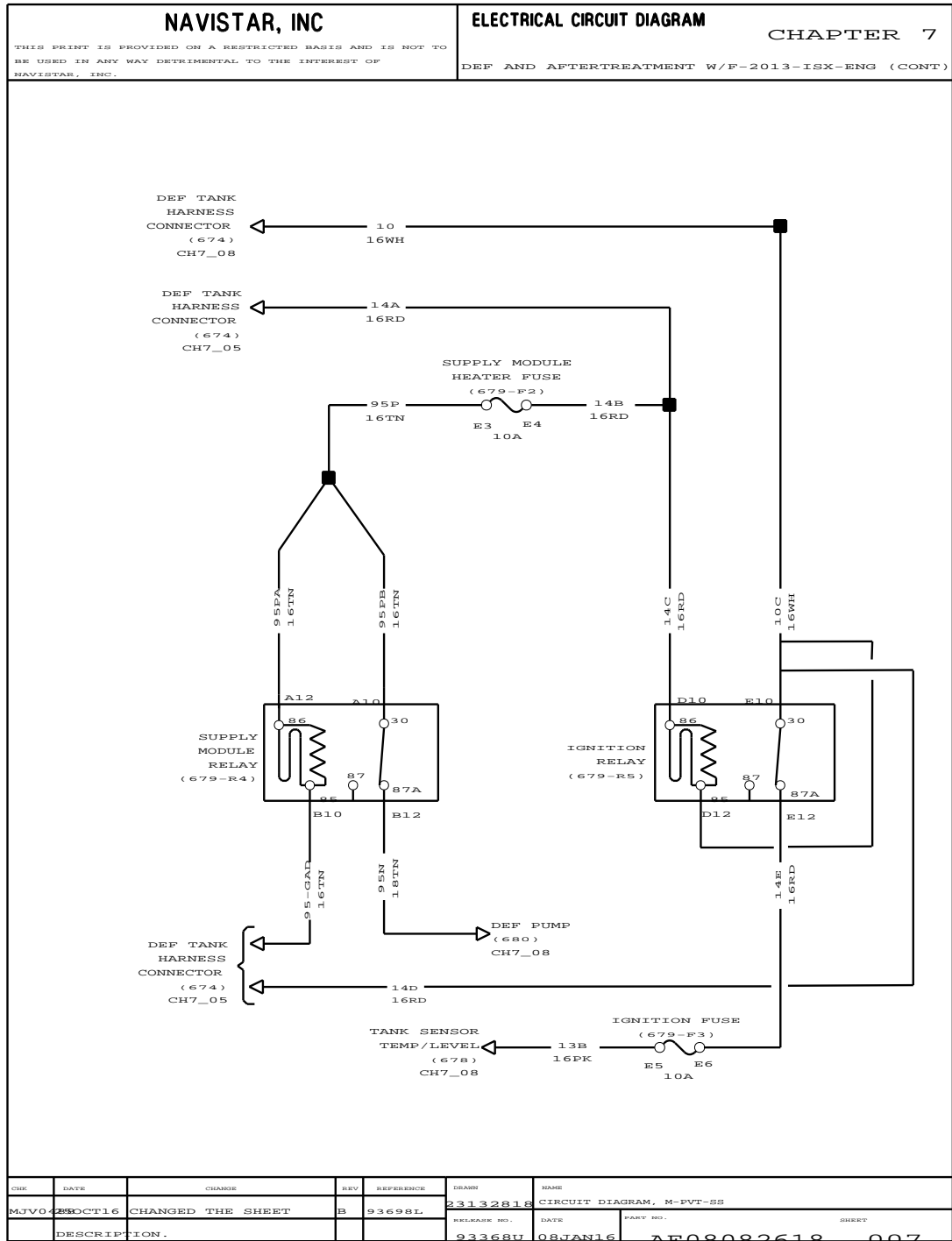


Figure 135 DEF and Aftertreatment with F-2013 ISX Engine (Cont.)

7.8. DEF AND AFTERTREATMENT WITH F-2013 ISX ENGINE (CONT.), P. 8

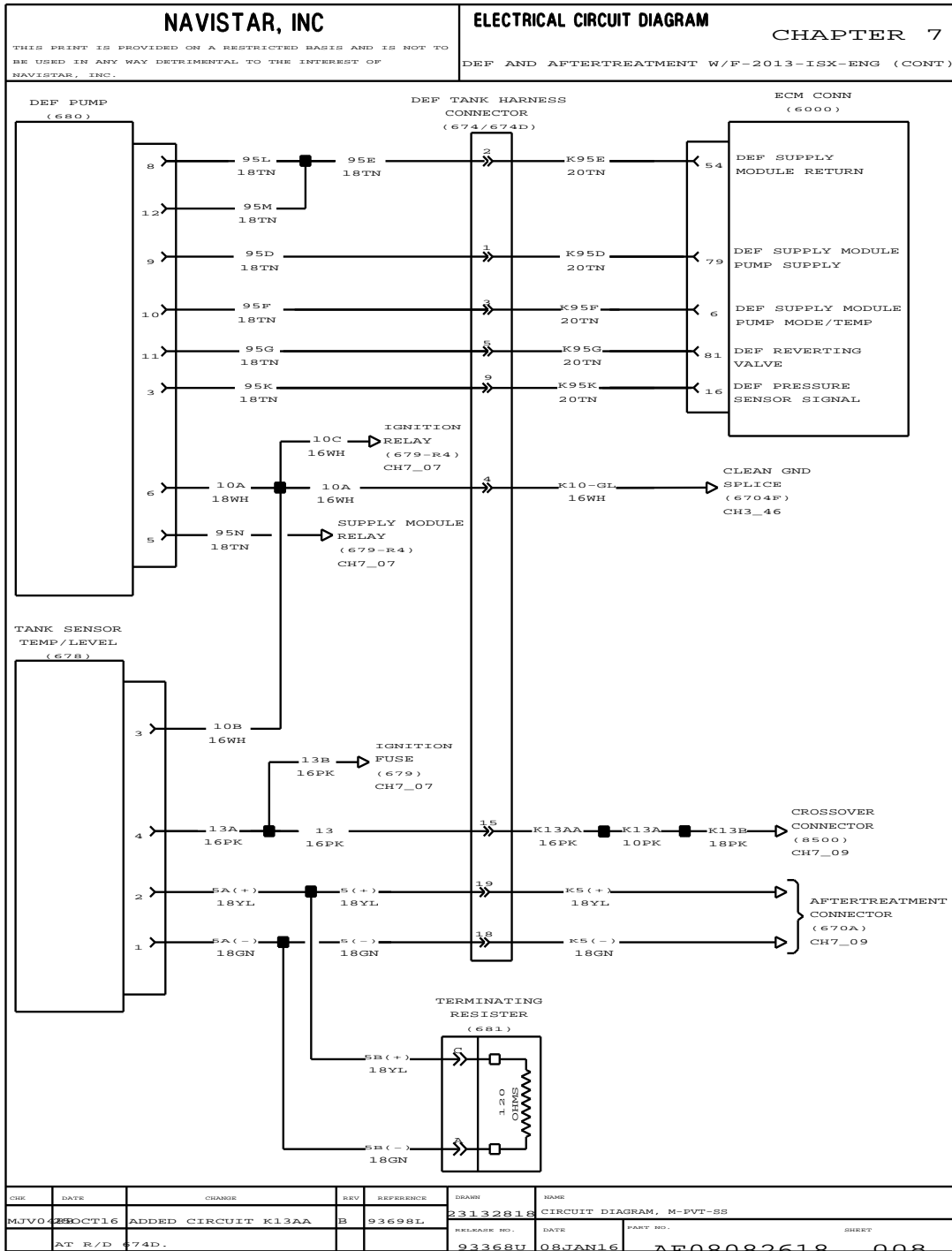


Figure 136 DEF and Aftertreatment with F-2013 ISX Engine (Cont.)

7.9. DEF AND AFTERTREATMENT WITH F-2013-ISX ENGINE (CONT.), P. 9

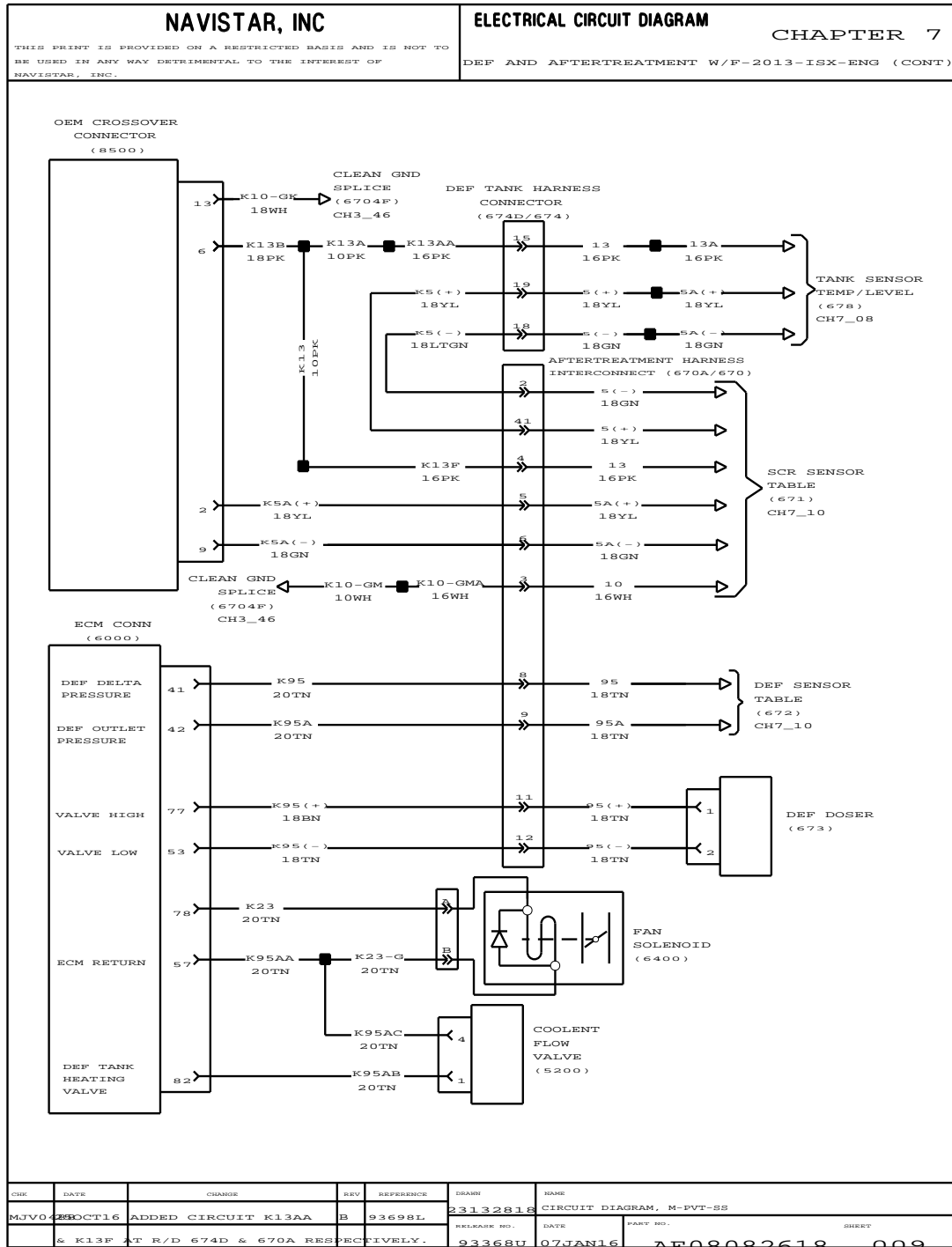


Figure 137 DEF and Aftertreatment with F-2013-ISX Engine (Cont.)

7.10. DEF AND AFTERTREATMENT WITH F-2013-ISX ENGINE (CONT.), P. 10

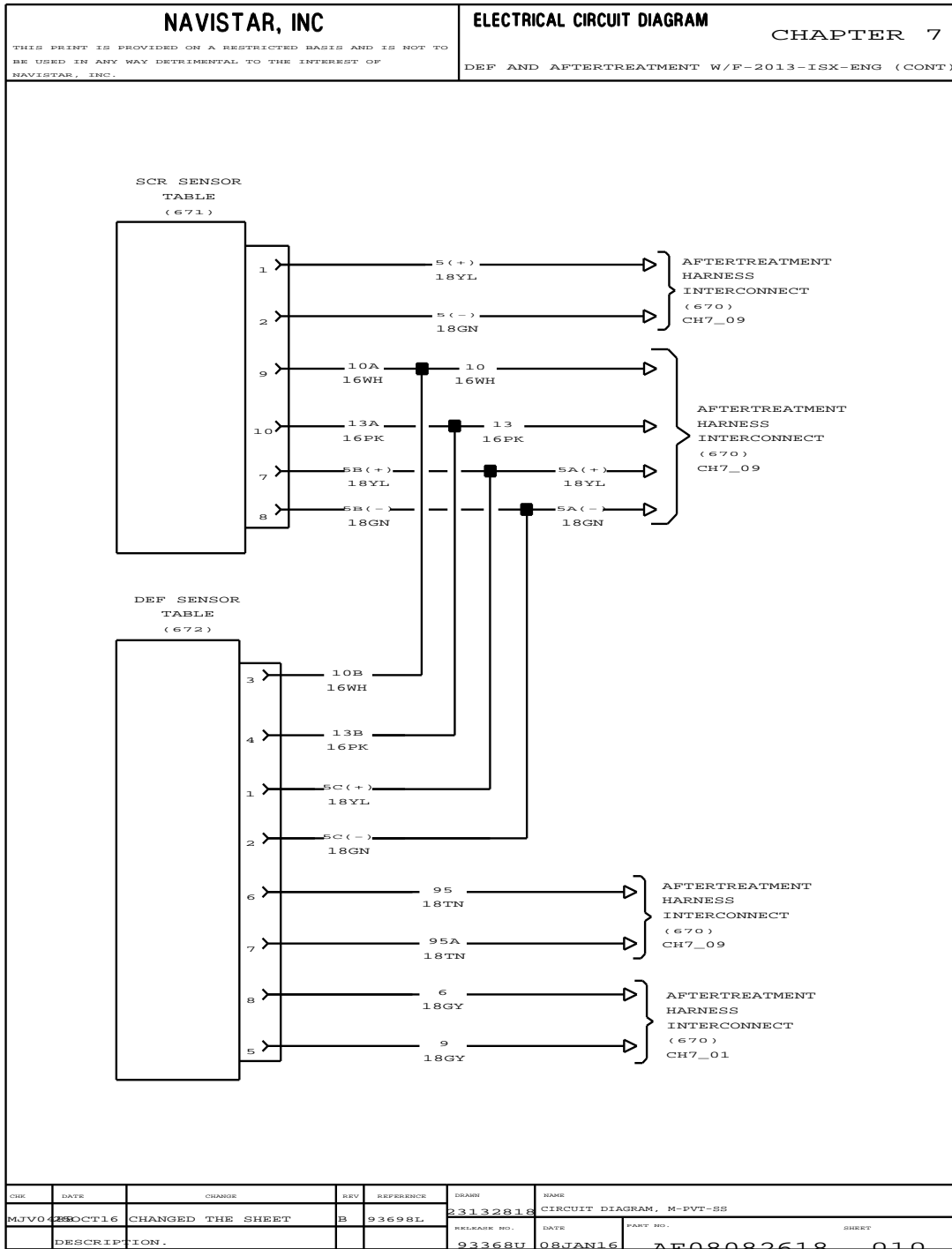


Figure 138 DEF and Aftertreatment with F-2013-ISX Engine (Cont.)

7.11. POWER DISTRIBUTION MODULE (PDM) PRODUCT GRAPHICS WITH F-2013-ISX ENGINE, P. 11

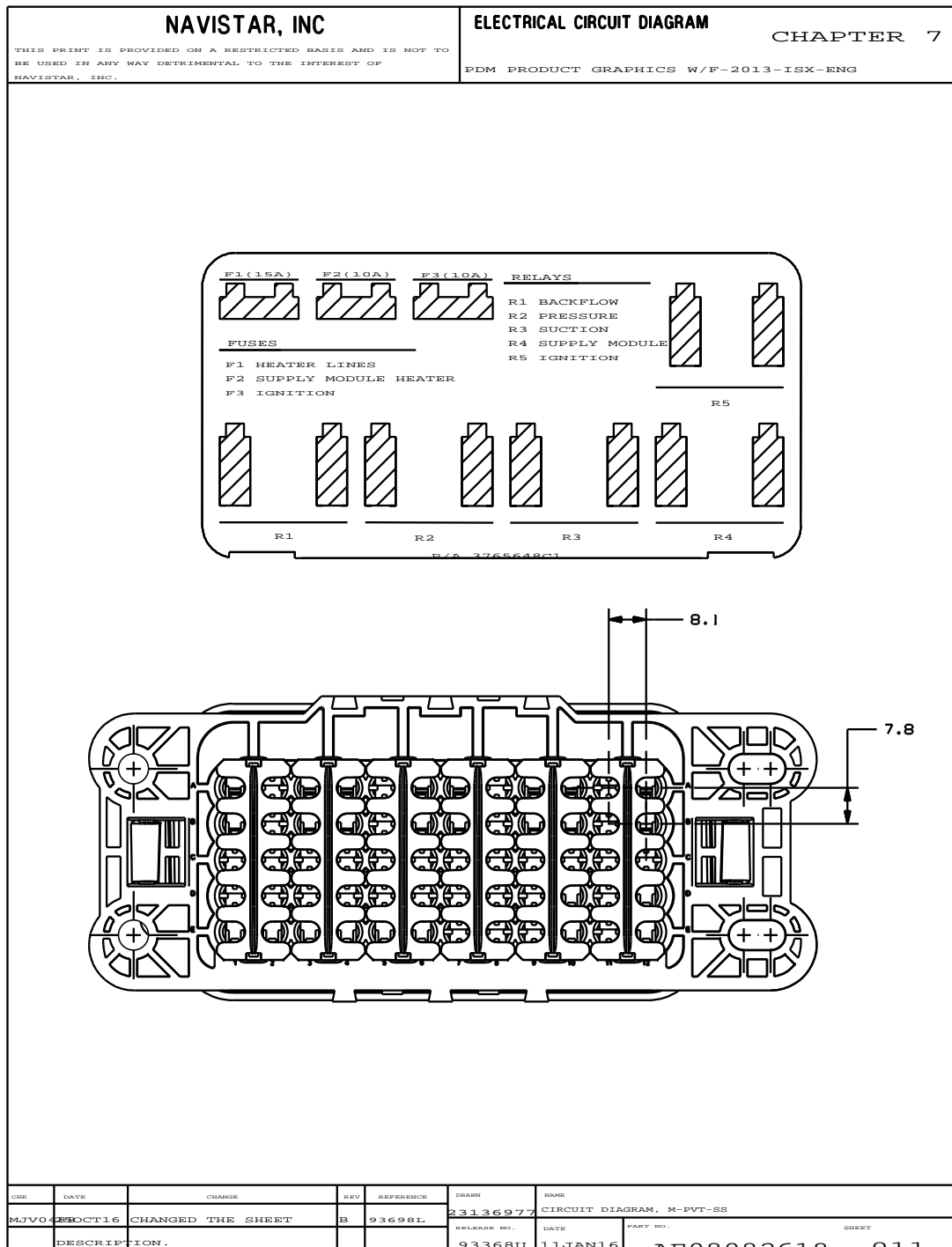


Figure 139 Power Distribution Module (PDM) Product Graphics with F-2013-ISX Engine

7.12. CRUISE CONTROL WITH N13 ENGINE, P. 12

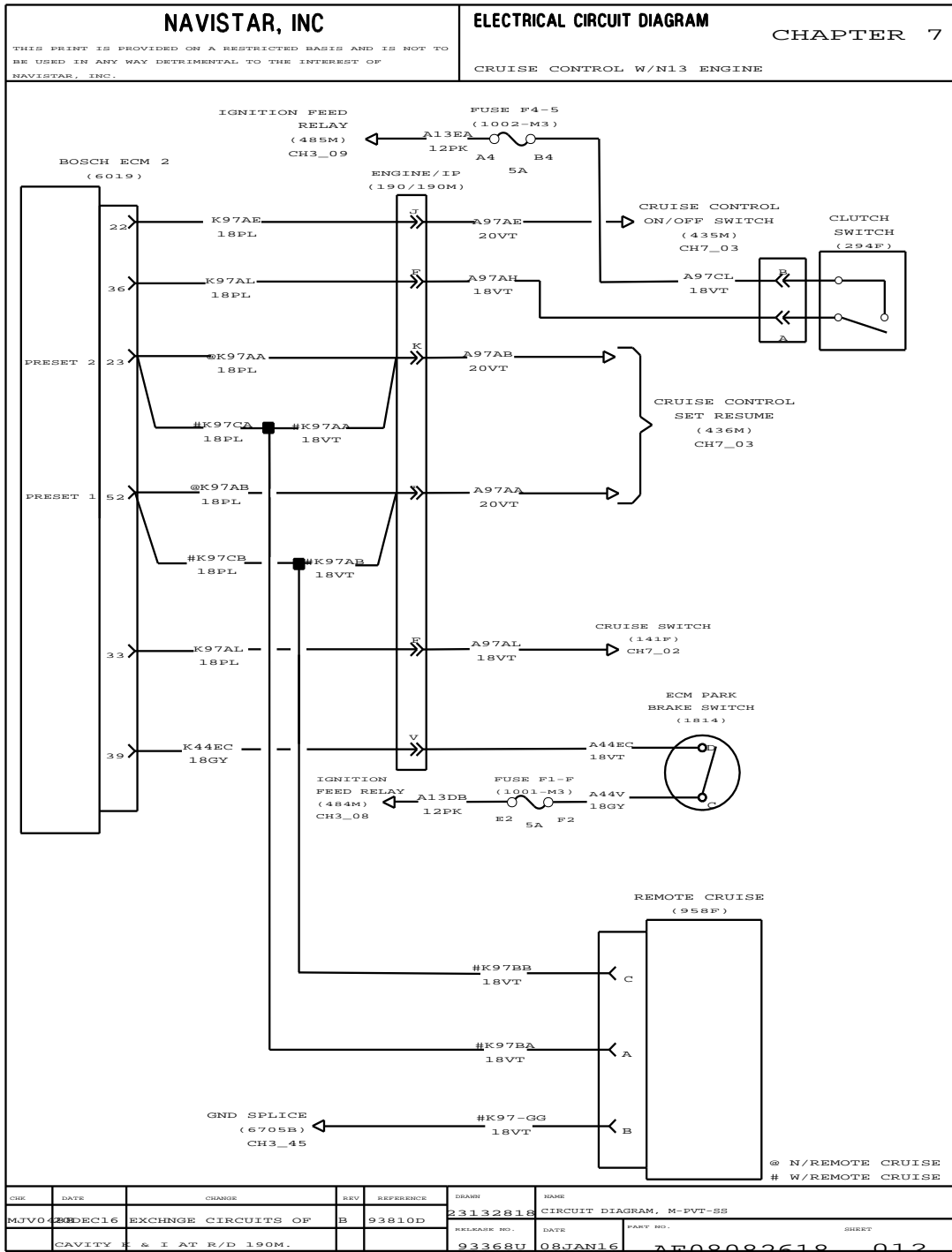


Figure 140 Cruise Control with N13 Engine

7.13. POWER TAKE OFF (PTO) REMOTE CONTROL WITH N13 ENGINE, P. 13

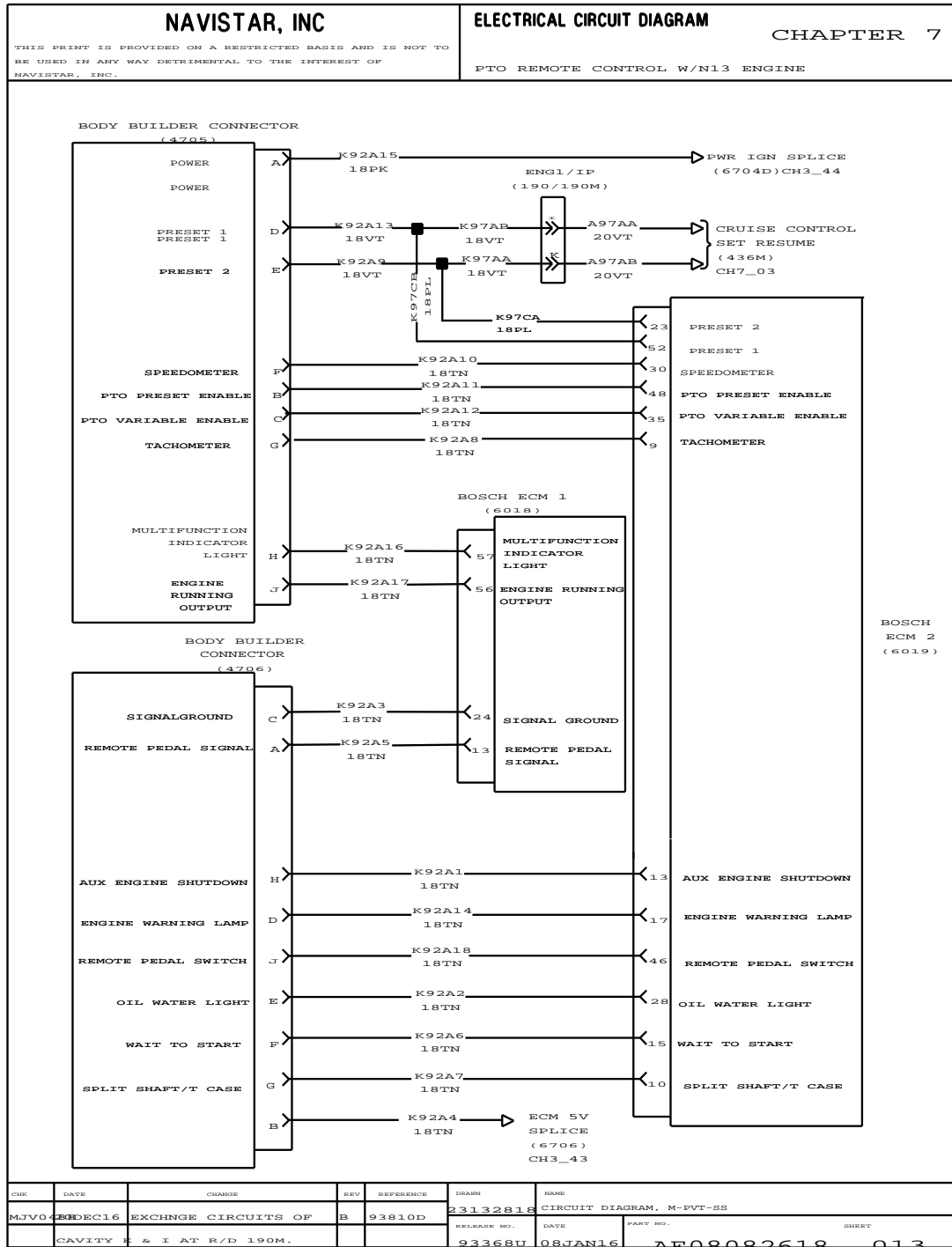


Figure 141 Power Take Off (PTO) Remote Control with N13 Engine

7.14. ACCELERATOR WIRING WITH N13 ENGINE, P. 14

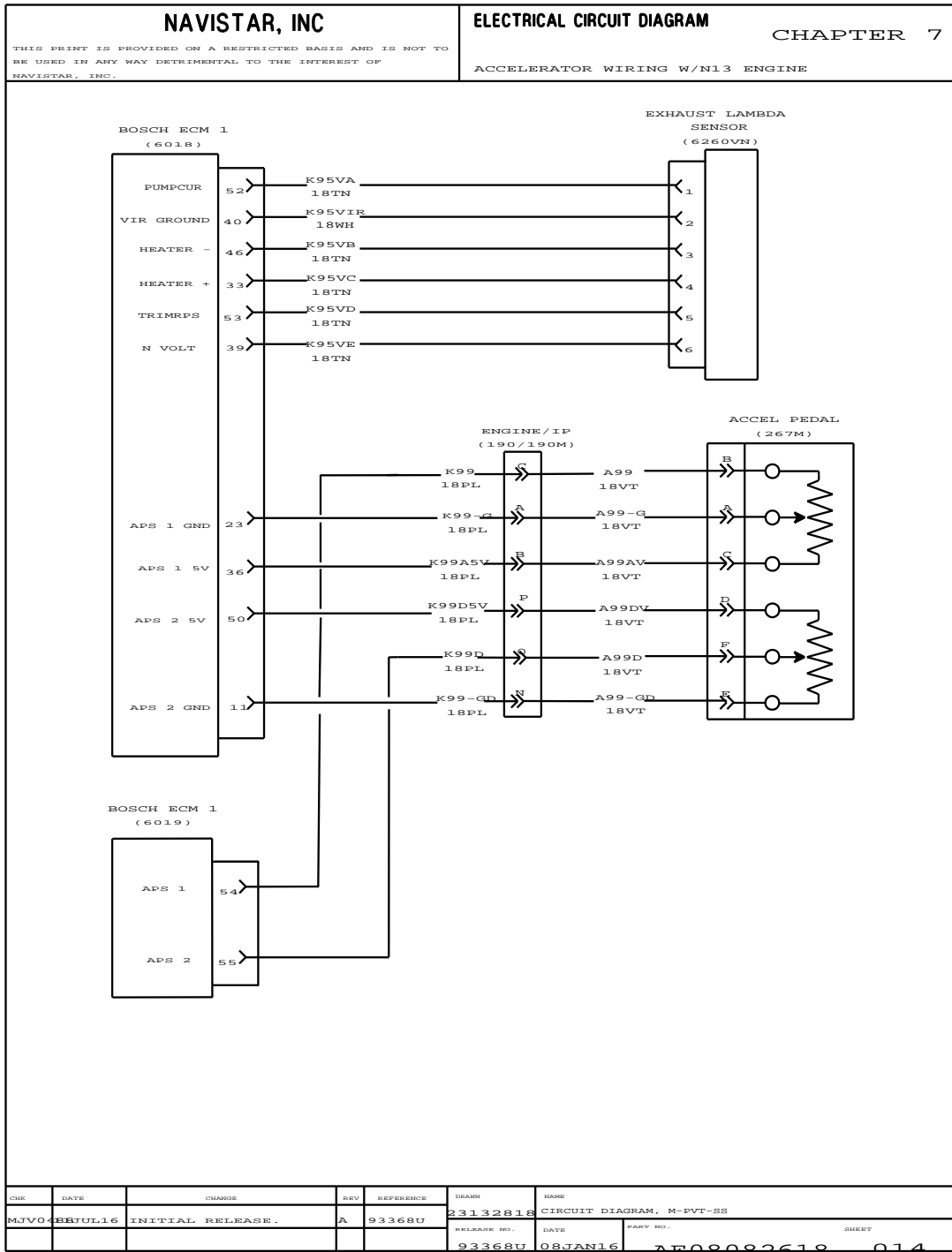


Figure 142 Accelerator Wiring with N13 Engine

7.15. ELECTRONIC CONTROL MODULE WITH N13 ENGINE, P. 15

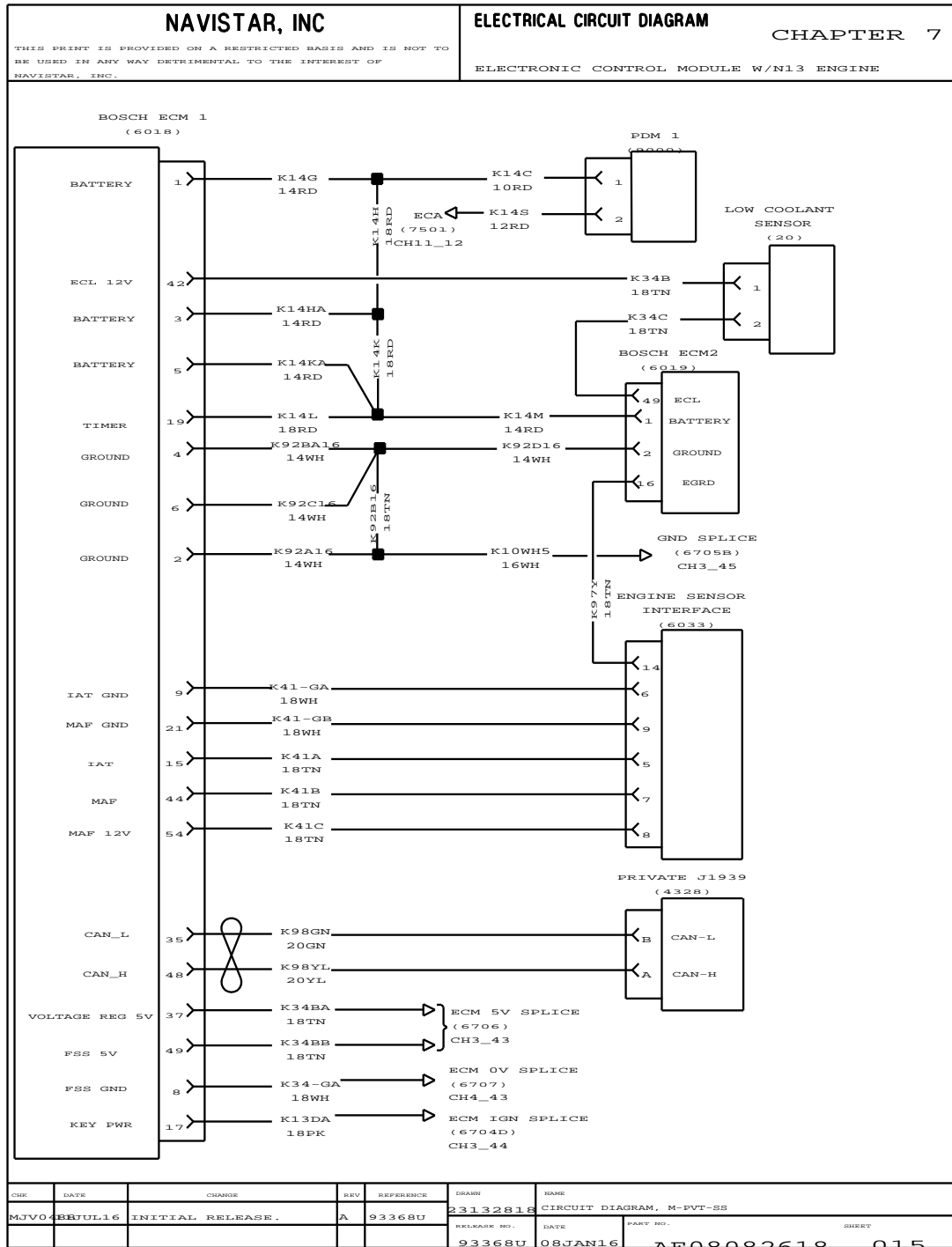


Figure 143 Electronic Control Module with N13 Engine

7.16. DEF AND AFTERTREATMENT WITH N13 ENGINE, P. 16

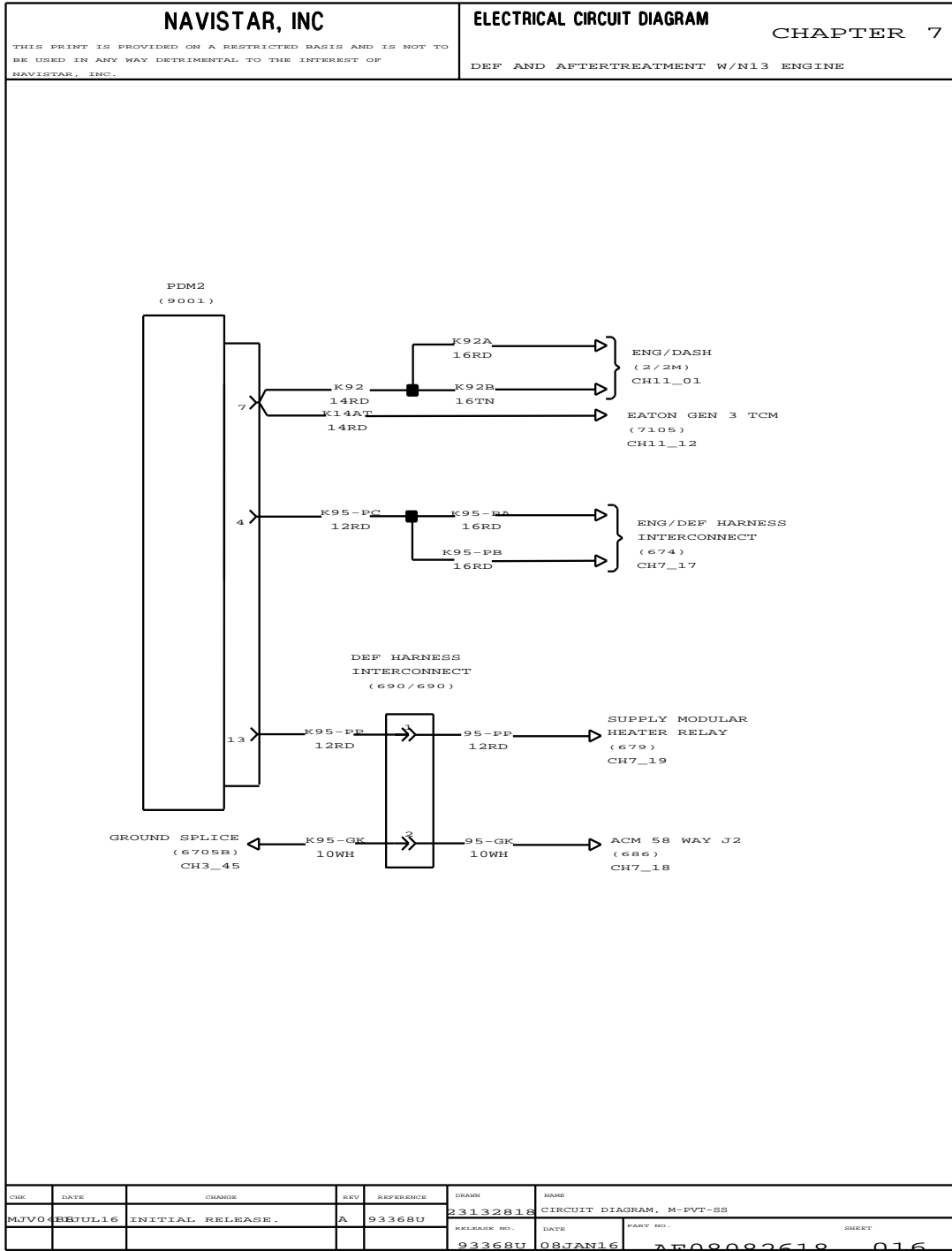


Figure 144 DEF and Aftertreatment with N13 Engine

7.17. DEF AND AFTERTREATMENT WITH N13 ENGINE (CONT.), P. 17

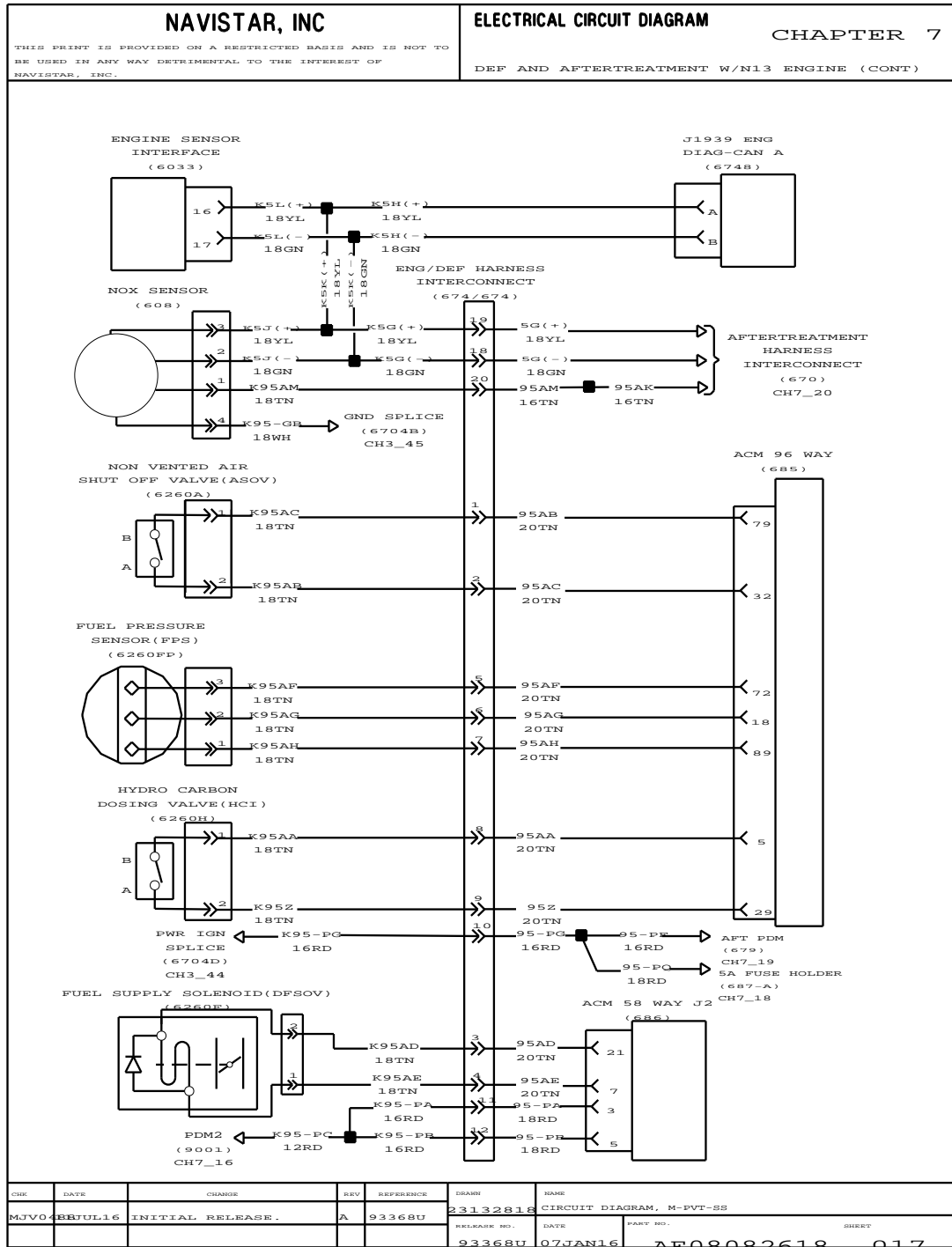


Figure 145 DEF and Aftertreatment with N13 Engine (Cont.)

7.18. DEF AND AFTERTREATMENT WITH N13 ENGINE (CONT.), P. 18

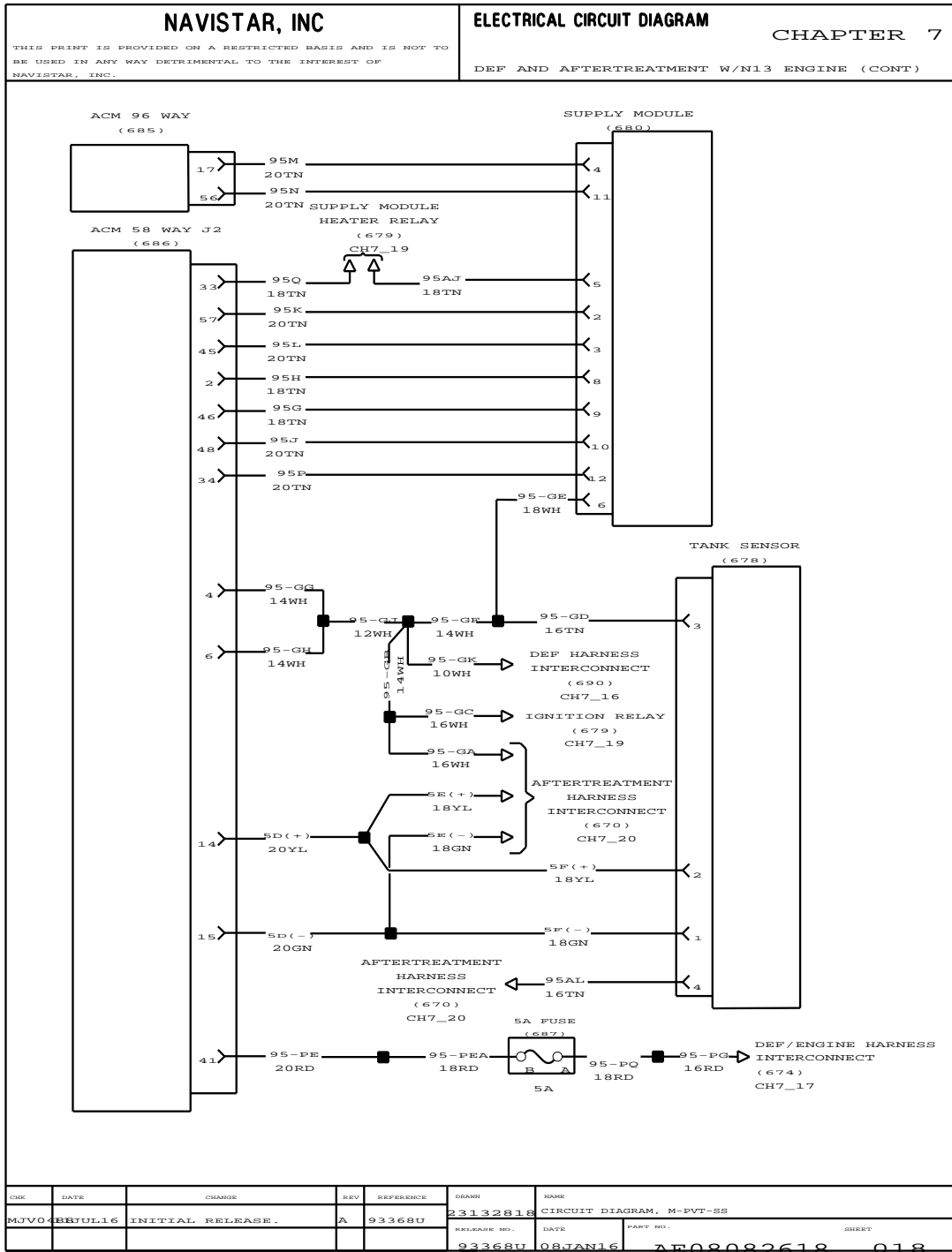


Figure 146 DEF and Aftertreatment with N13 Engine (Cont.)

7.19. DEF AND AFTERTREATMENT WITH N13 ENGINE (CONT.), P. 19

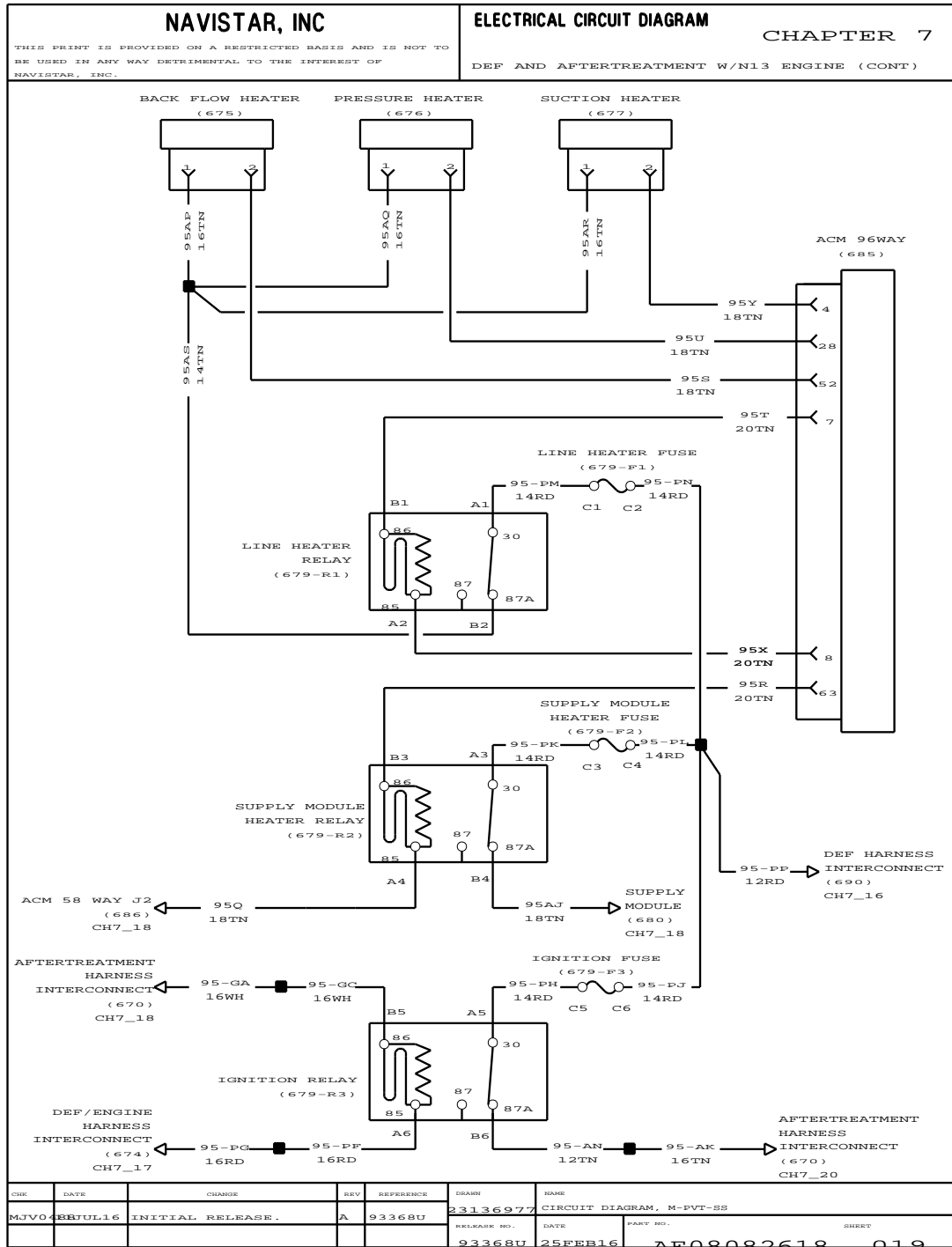


Figure 147 DEF and Aftertreatment with N13 Engine (Cont.)

7.20. DEF AND AFTERTREATMENT WITH N13 ENGINE (CONT.), P. 20

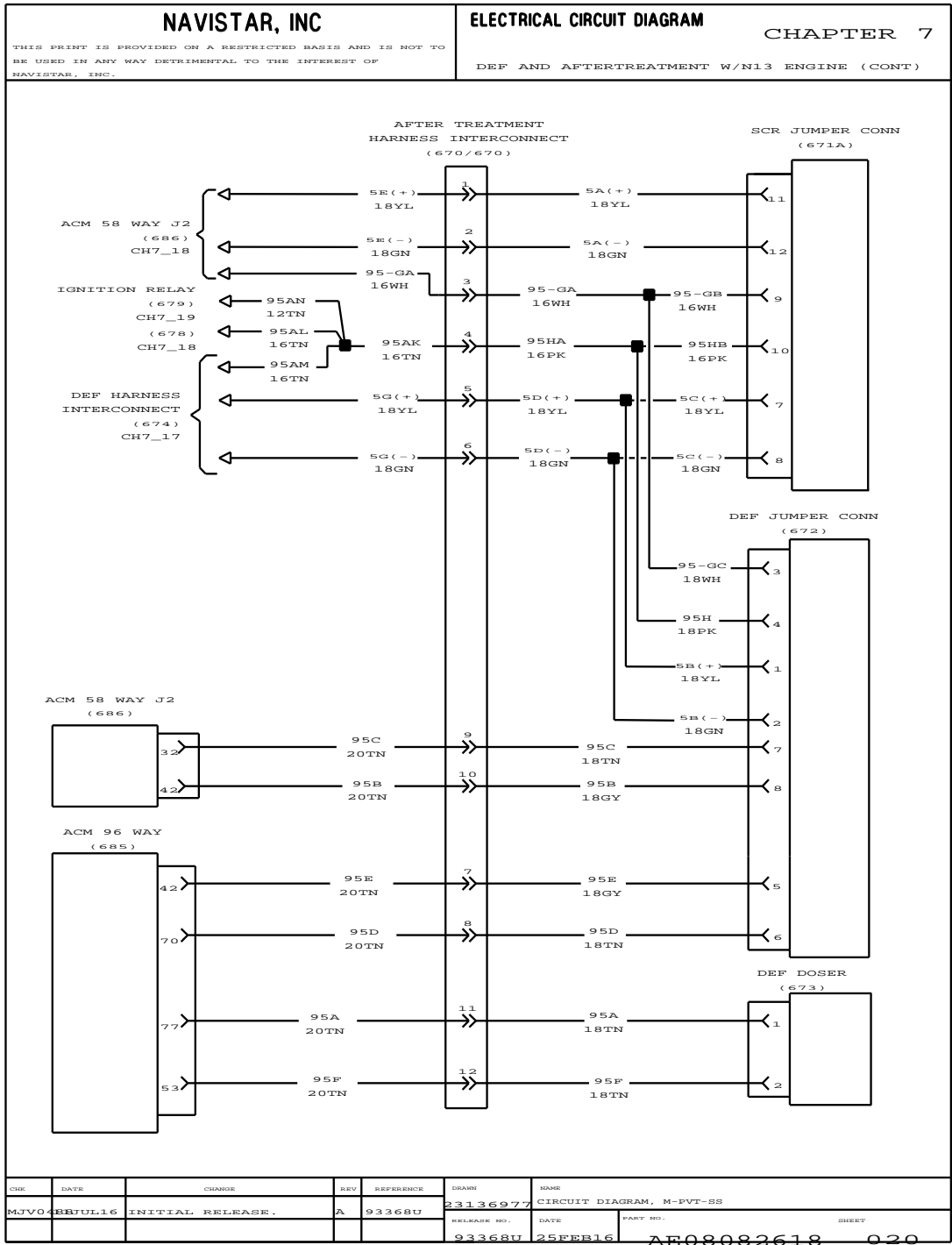


Figure 148 DEF and Aftertreatment with N13 Engine (Cont.)

7.21. PDM PRODUCT GRAPHICS WITH N13 ENGINE, P. 21

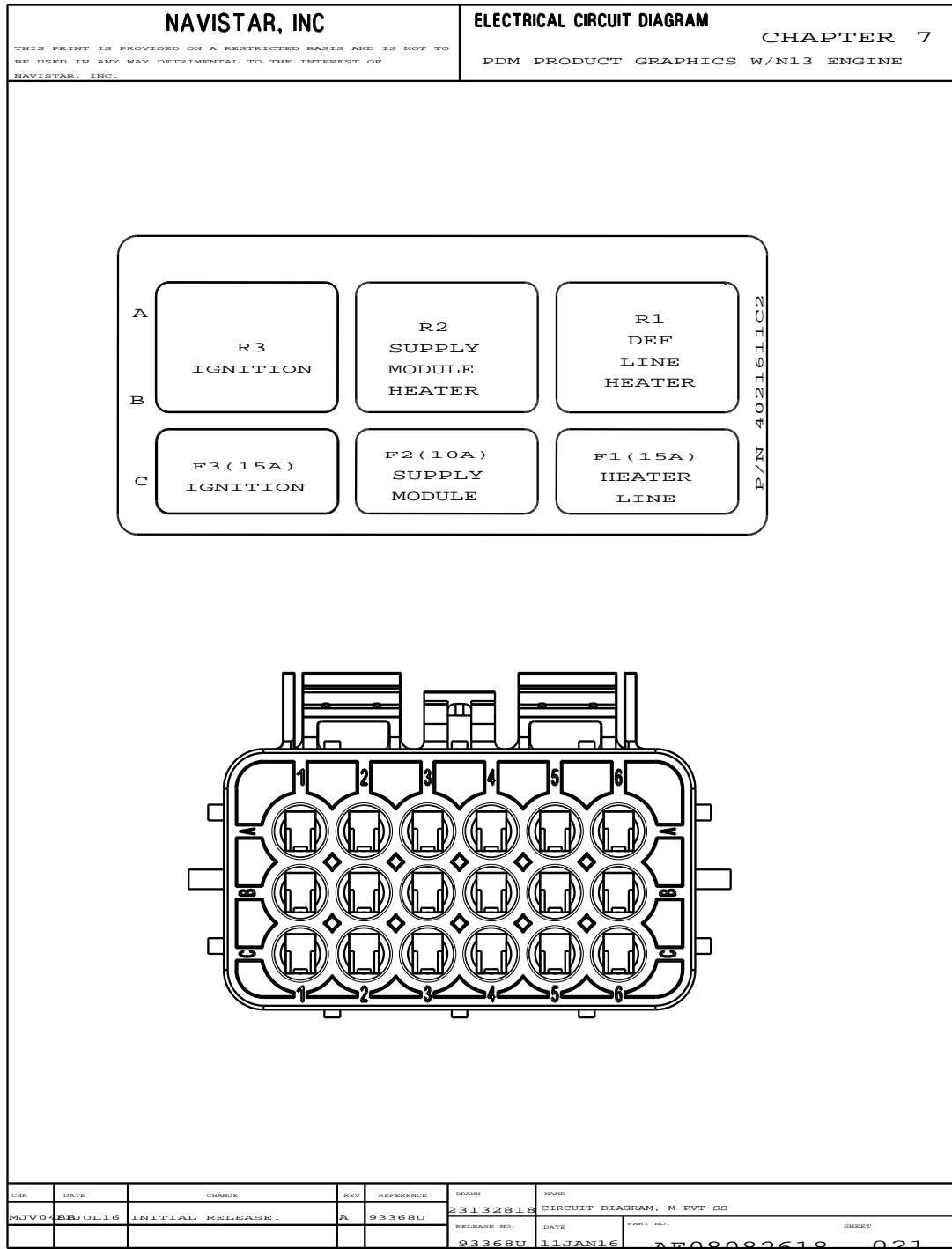


Figure 149 PDM Product Graphics with N13 Engine

7.22. J1939 CONNECTION WITH 250K WITH N13 ENGINE, P. 22

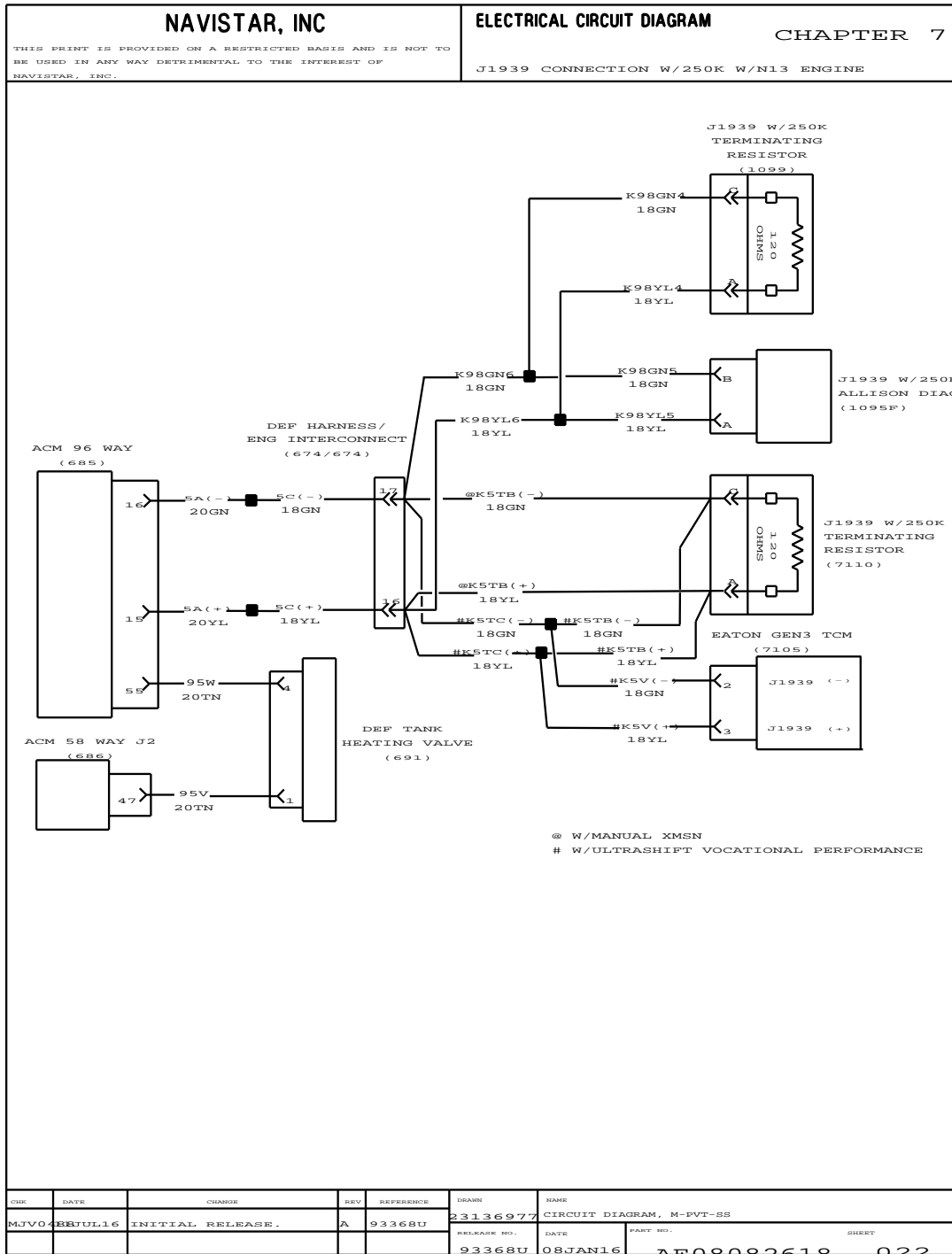


Figure 150 J1939 Connection with 250K with N13 Engine

7.23. J1939 CONNECTION WITH 500K WITH N13 ENGINE, P. 23

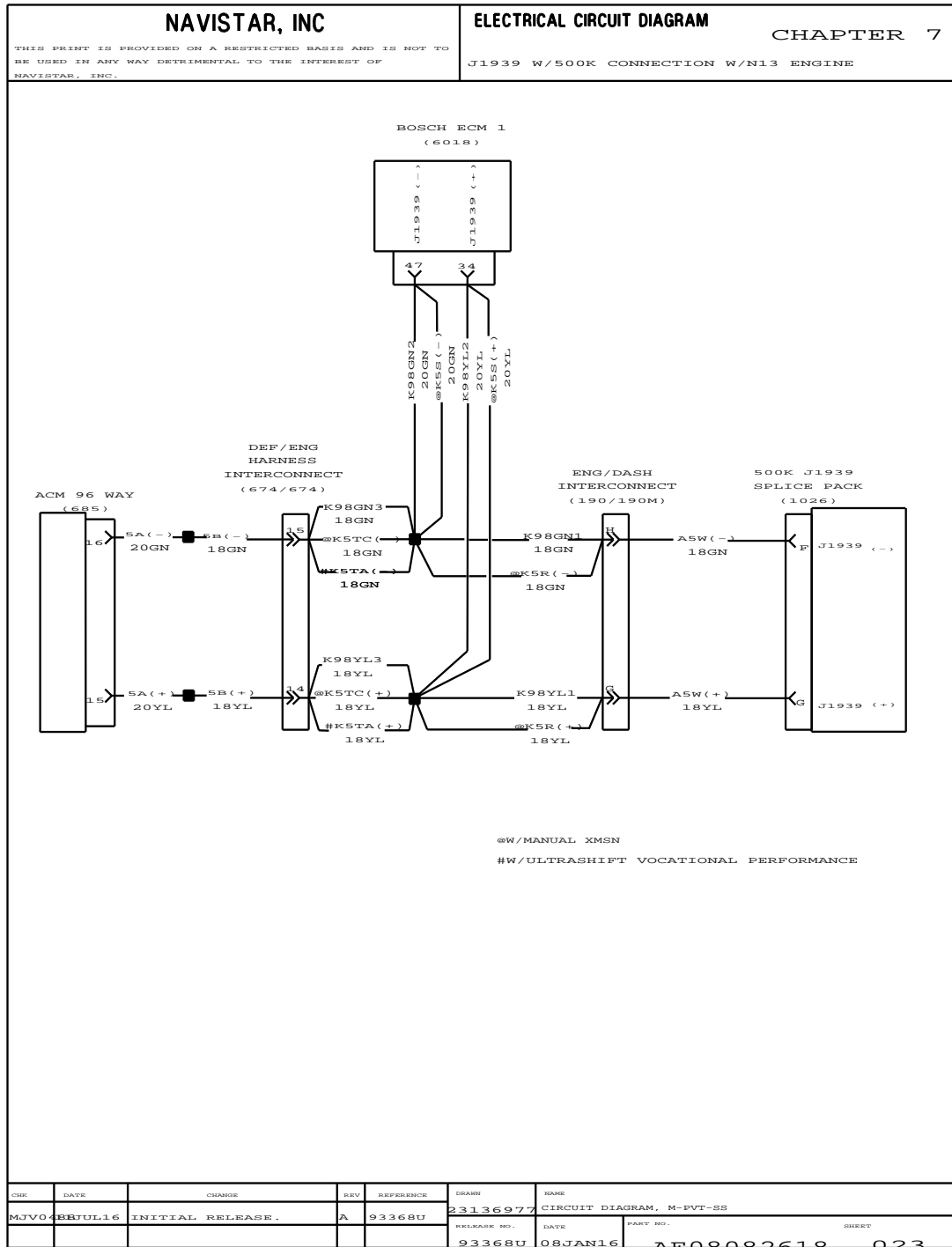


Figure 151 J1939 Connection with 500K with N13 Engine

7.24. STARTING AID WITH FLAME START WITH N13 ENGINE, P. 24

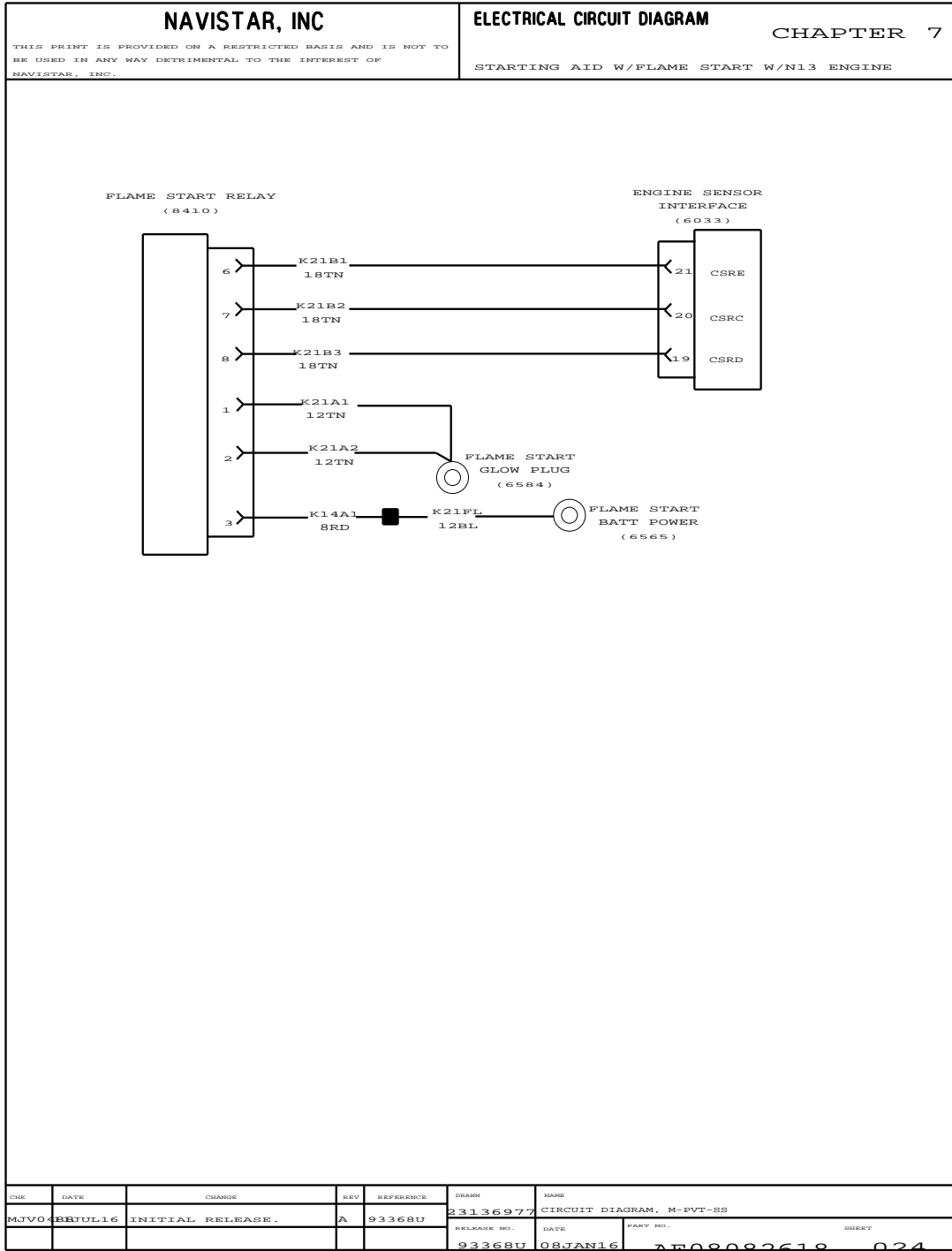


Figure 152 Starting Aid with Flame Start with N13 Engine

7.25. TRANSFER CASE WITH N13 ENGINE, P. 25

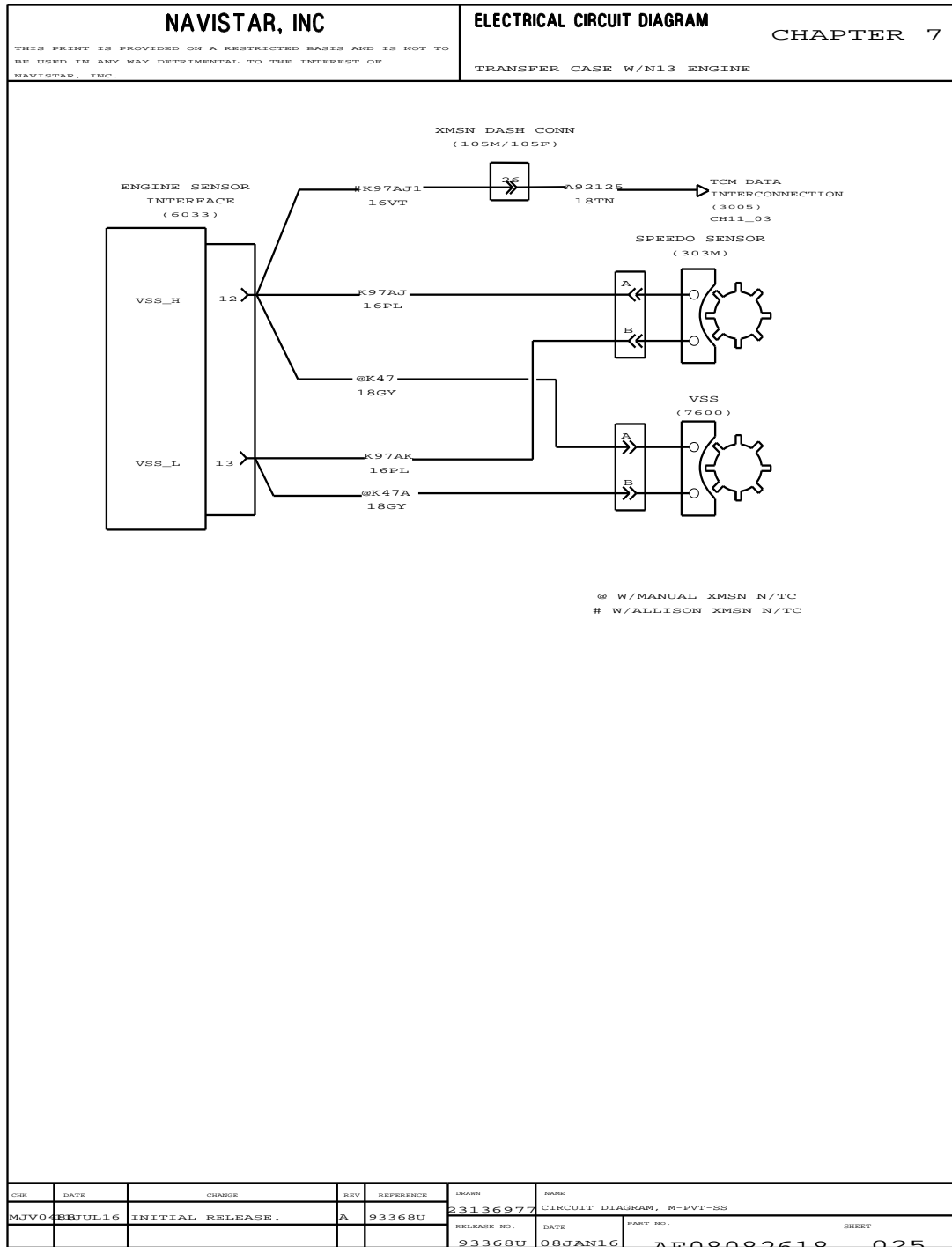


Figure 153 Transfer Case with N13 Engine

7.26. ENGINE BRAKE WIRING, P. 26

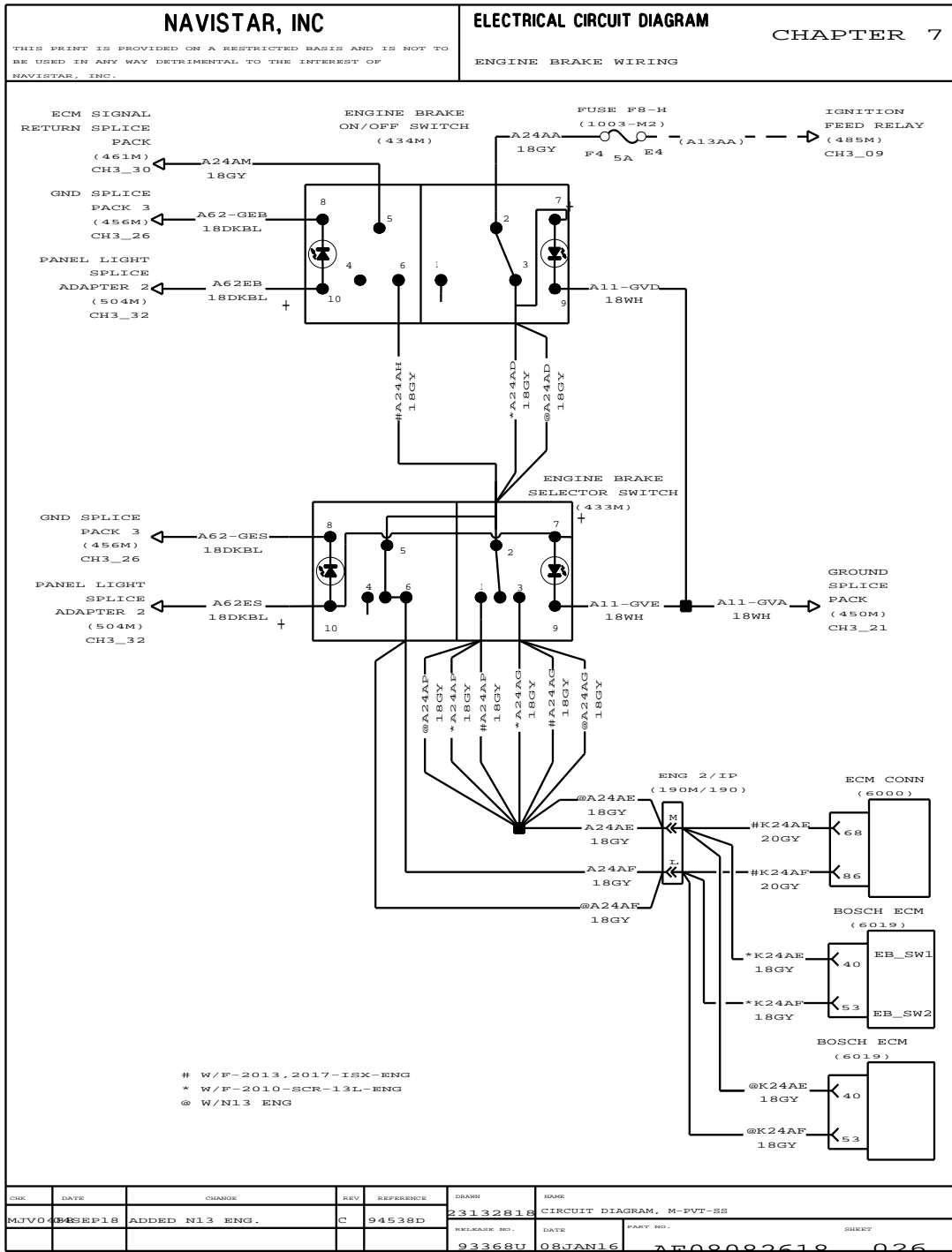


Figure 154 Engine Brake Wiring

7.27. TRANSMISSION CONTROL WIRING, P. 27

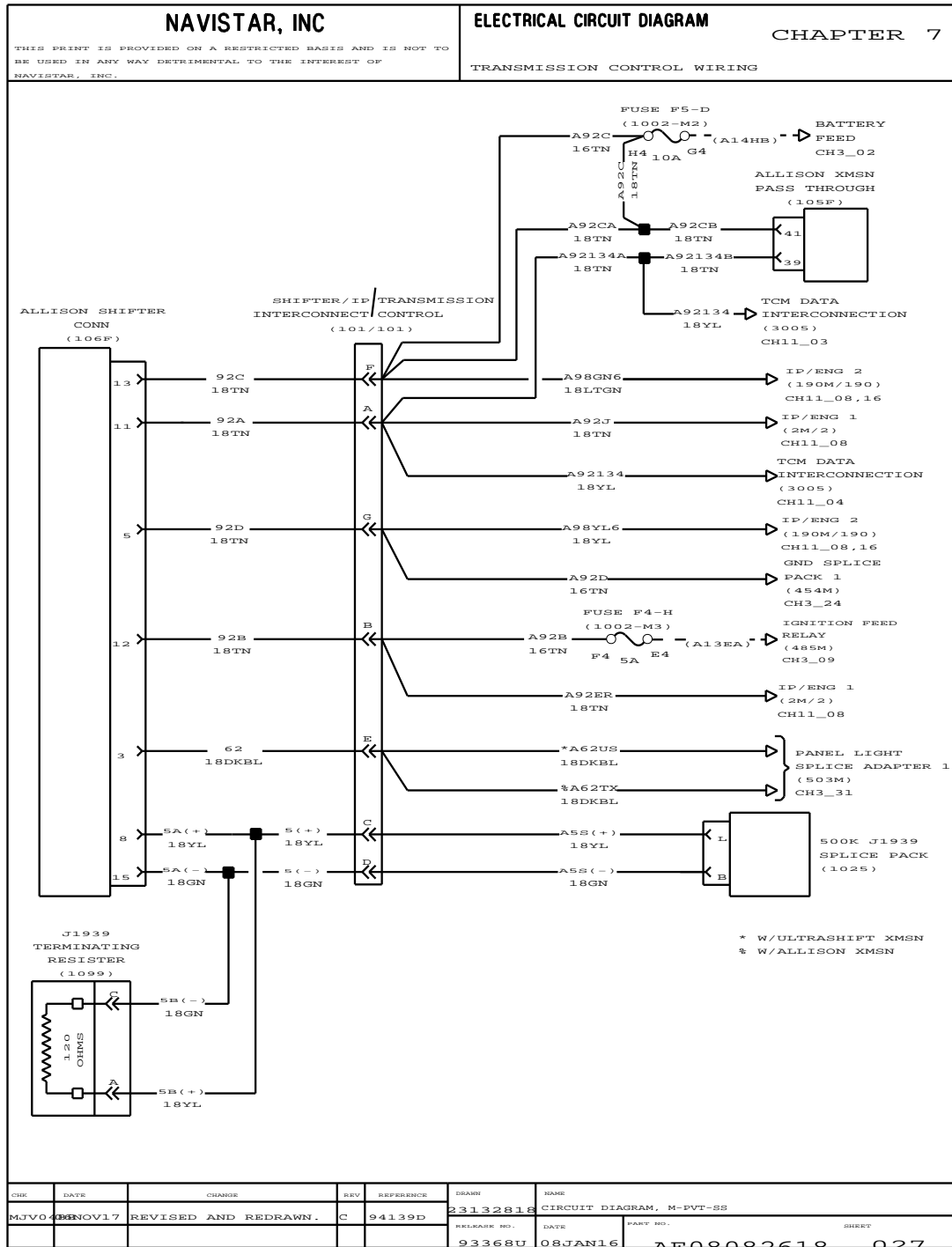


Figure 155 Transmission Control Wiring

7.28. AFTERTREATMENT PARK AND INHIBIT SWITCH WIRING, P. 28

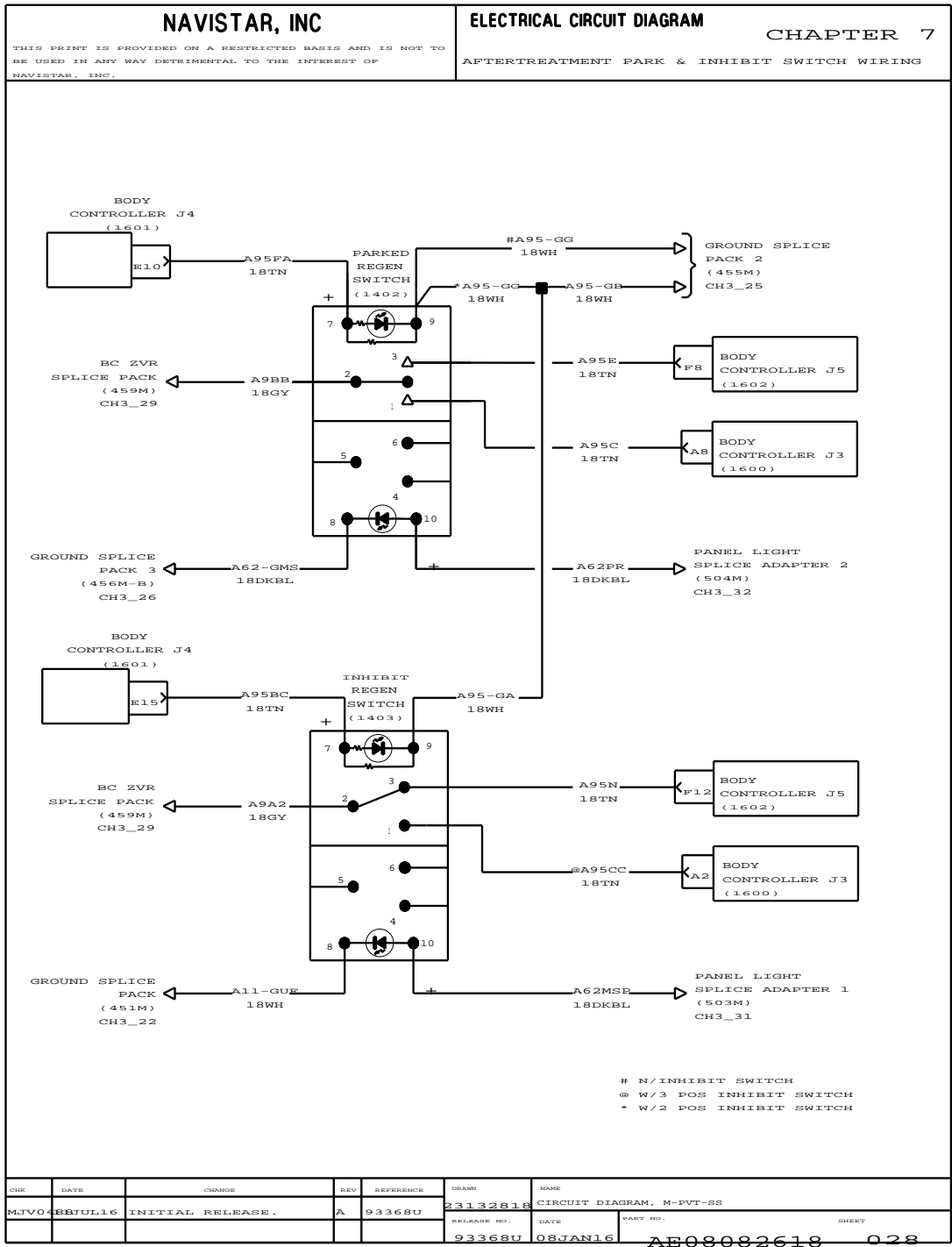


Figure 156 Aftertreatment Park and Inhibit Switch Wiring

7.29. REMOTE VOLTAGE SENSOR, P. 29

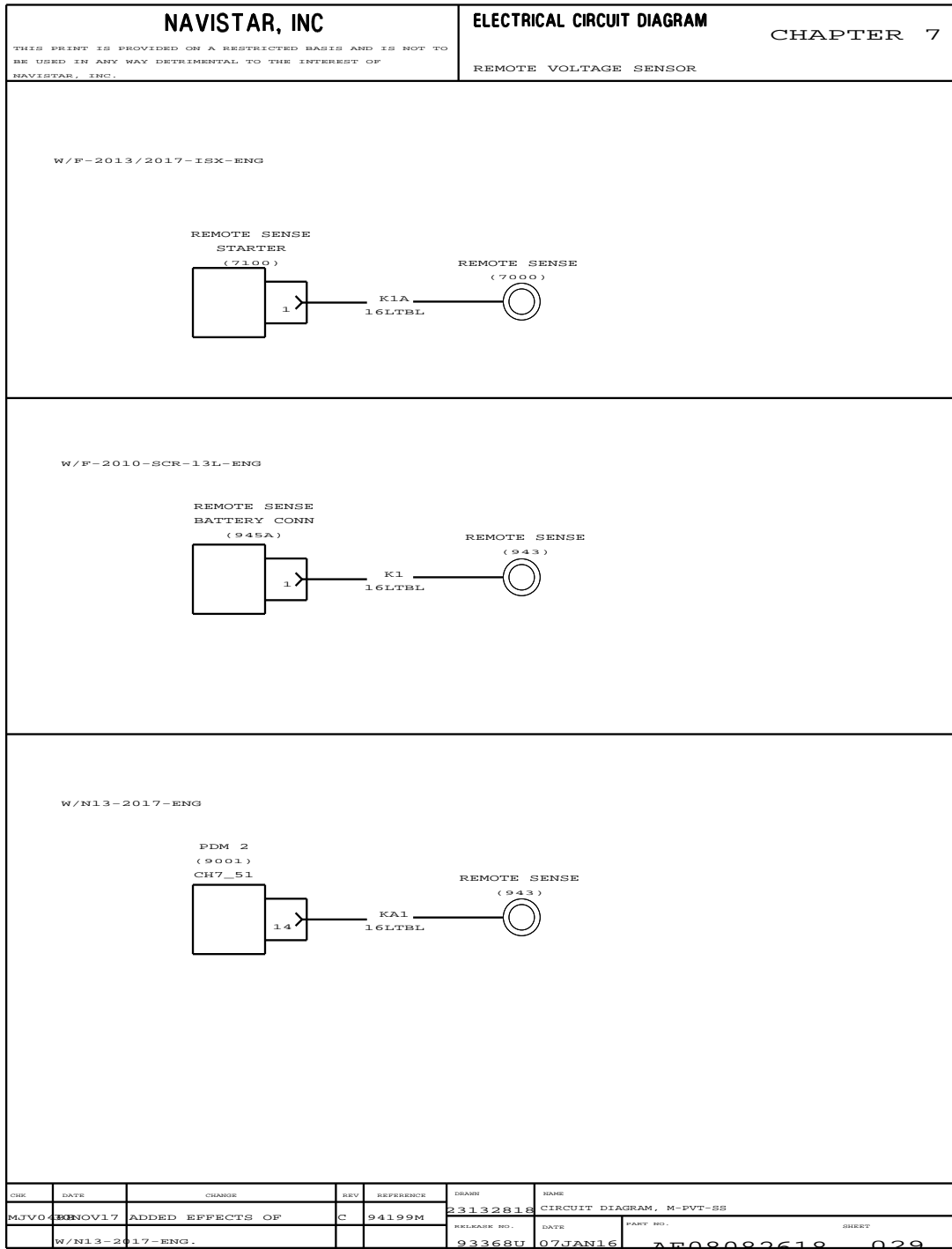


Figure 157 Remote Voltage Sensor

7.30. CRUISE CONTROL WITH F-2017 ISX ENGINE, P. 30

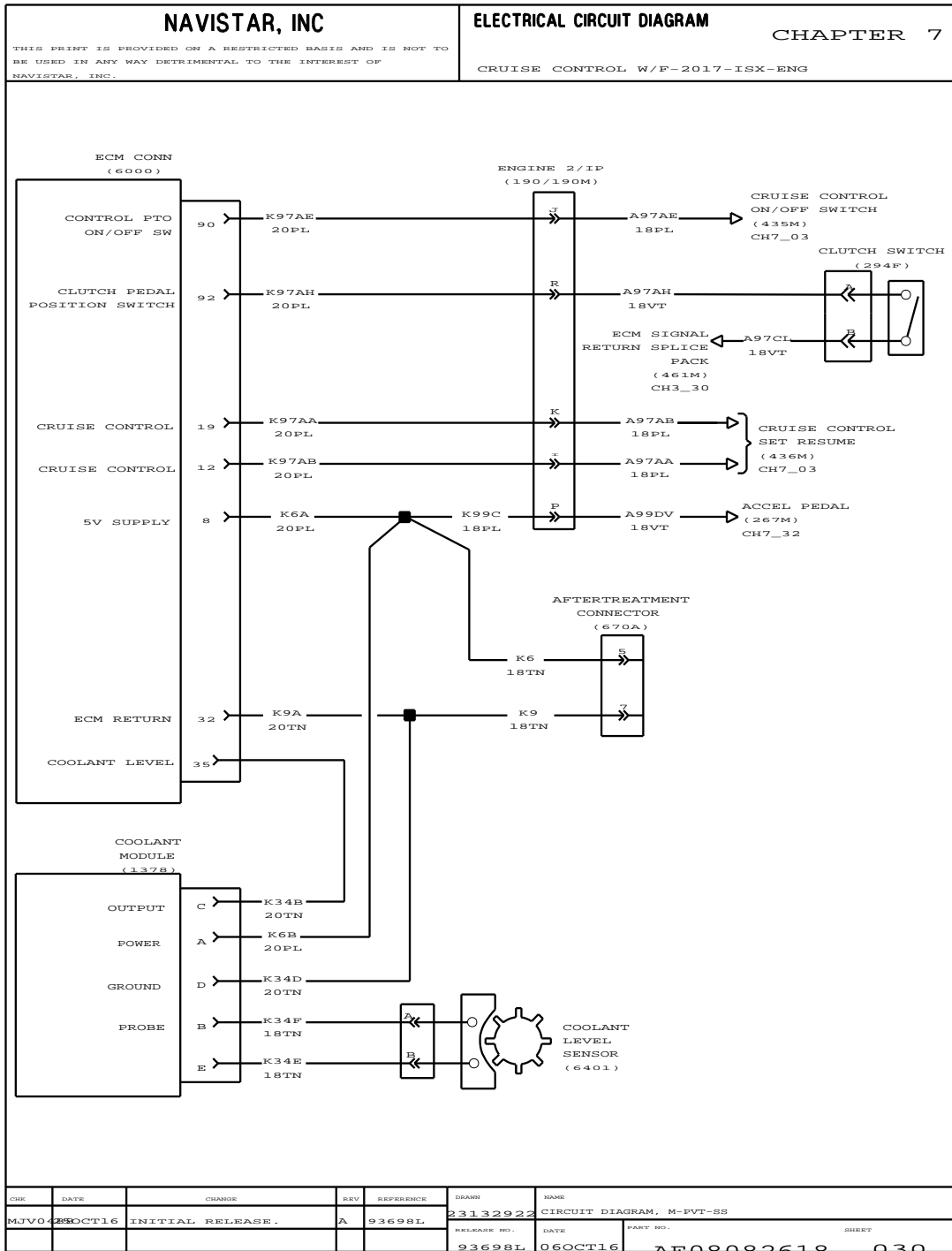


Figure 158 Cruise Control with F-2017 ISX Engine

7.31. CRUISE CONTROL WITH F-2017 ISX ENGINE (CONT.), P. 31

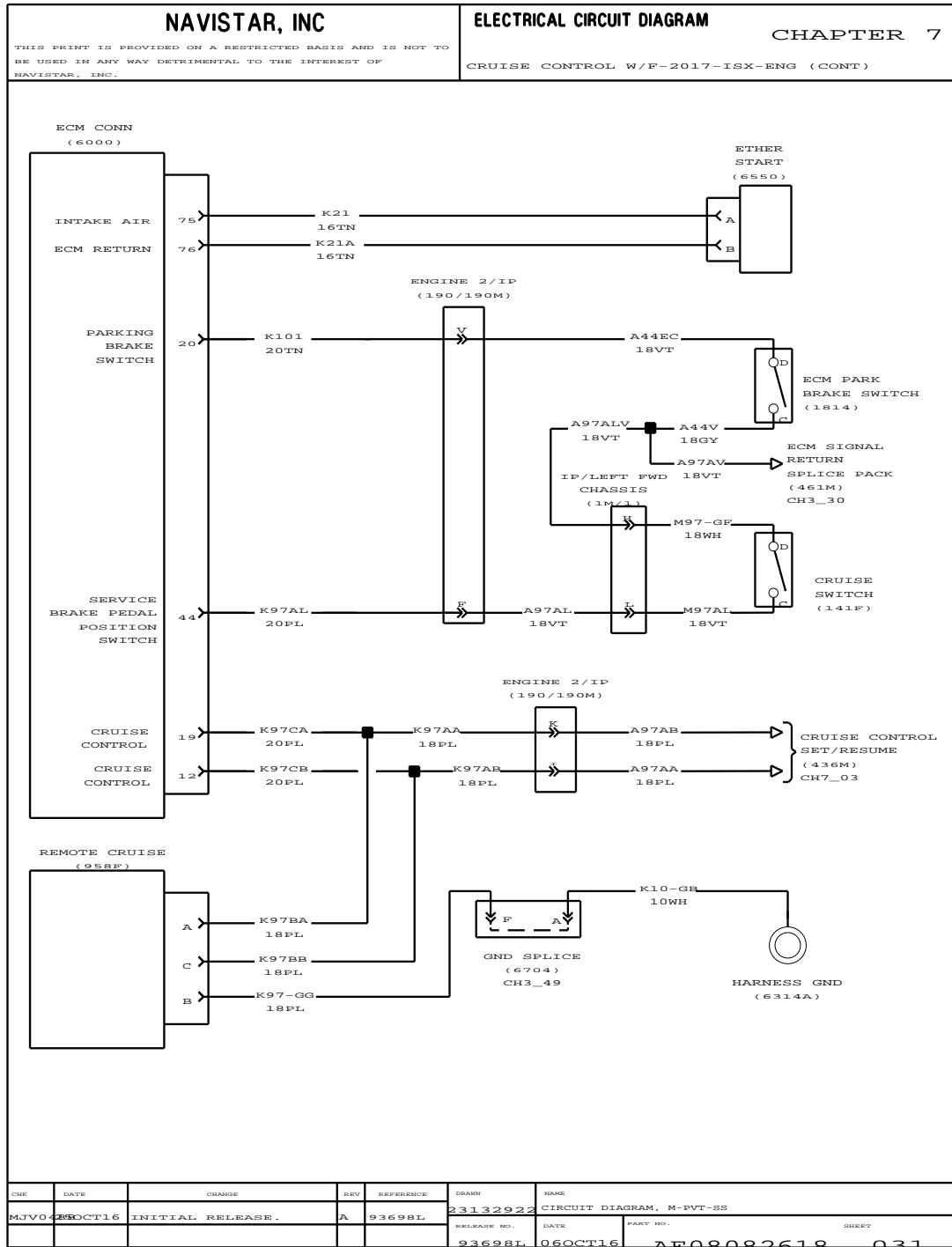


Figure 159 Cruise Control with F-2017 ISX Engine (Cont.)

7.32. ACCELERATOR WIRING WITH F-2017 ISX ENGINE, P. 32

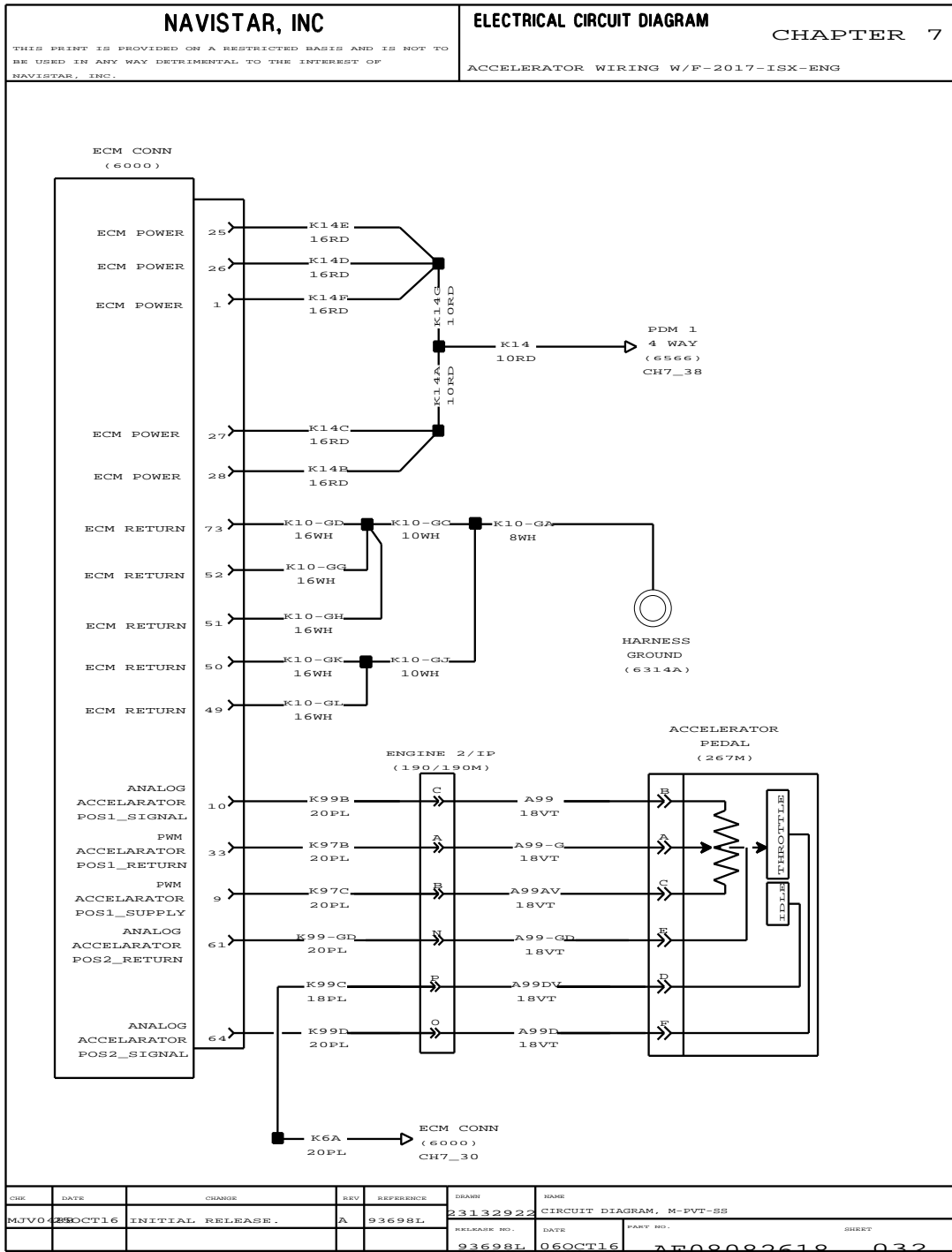


Figure 160 Accelerator Wiring with F-2017 ISX Engine

7.33. DIESEL EXHAUST FLUID (DEF) AND AFTERTREATMENT WITH F-2017 ISX ENGINE, P. 33

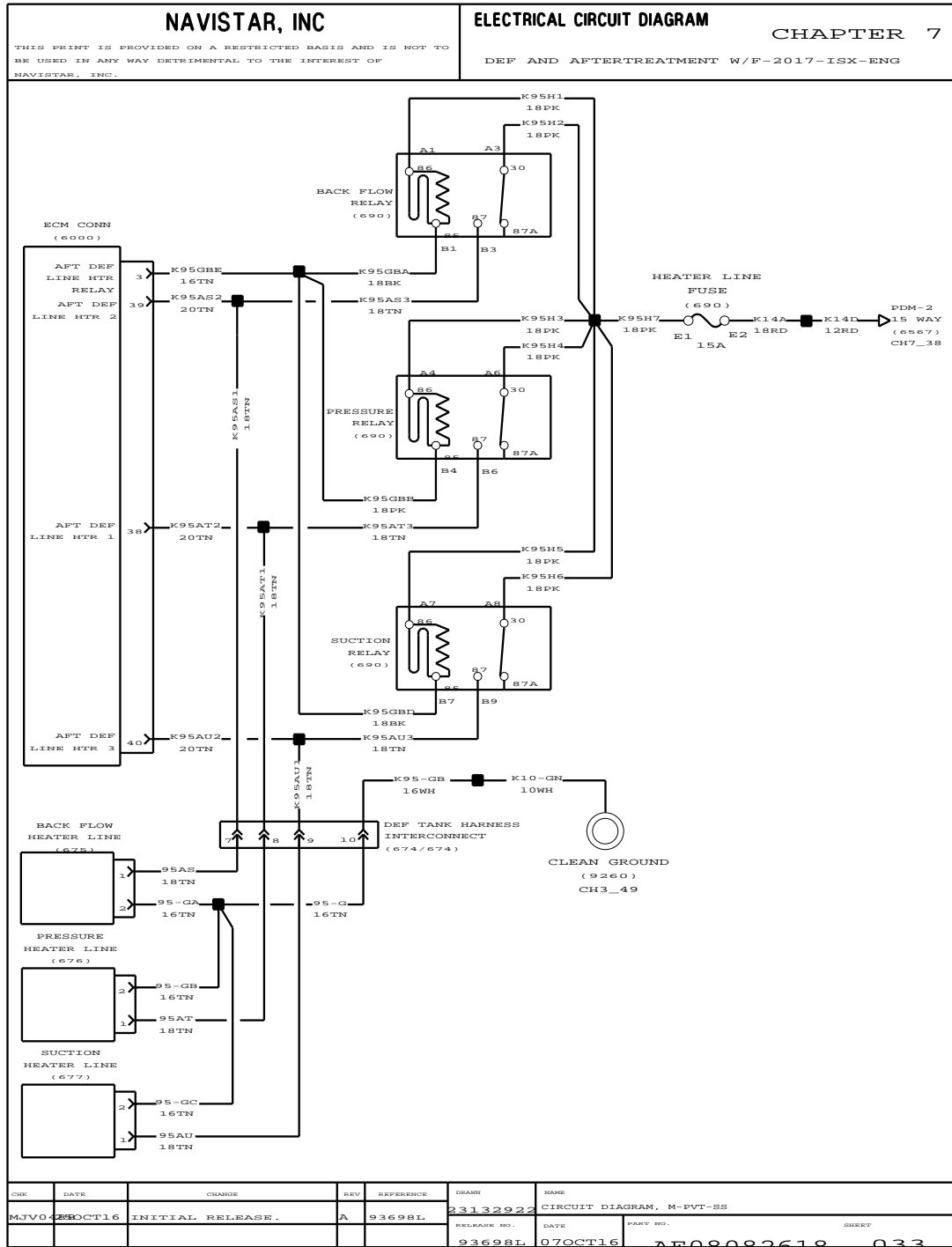


Figure 161 Diesel Exhaust Fluid (DEF) and Aftertreatment with F-2017 ISX Engine

7.34. DEF AND AFTERTREATMENT WITH F-2017 ISX ENGINE (CONT.), P. 34

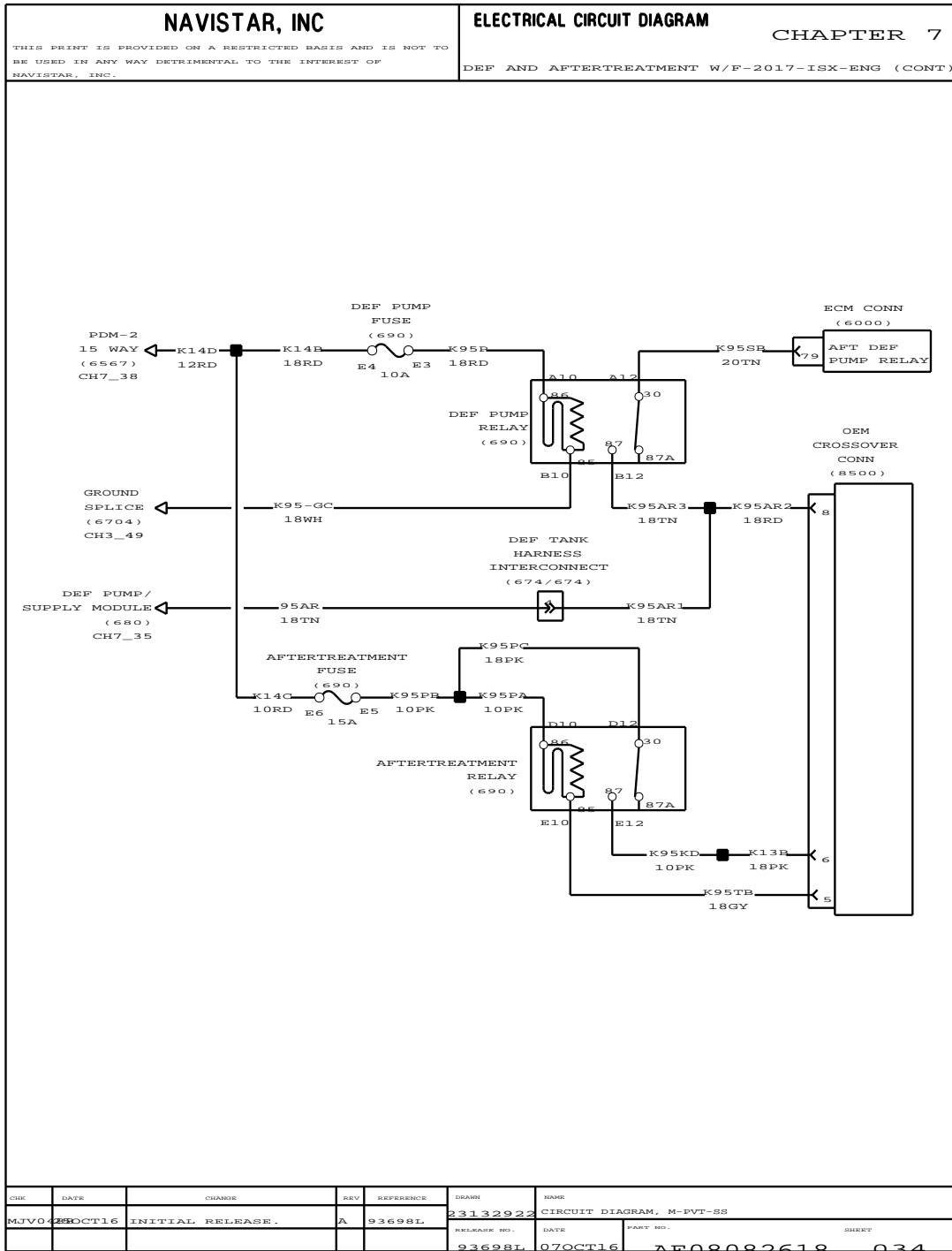


Figure 162 DEF and Aftertreatment with F-2017 ISX Engine (Cont.)

7.35. DEF AND AFTERTREATMENT WITH F-2017 ISX ENGINE (CONT.), P. 35

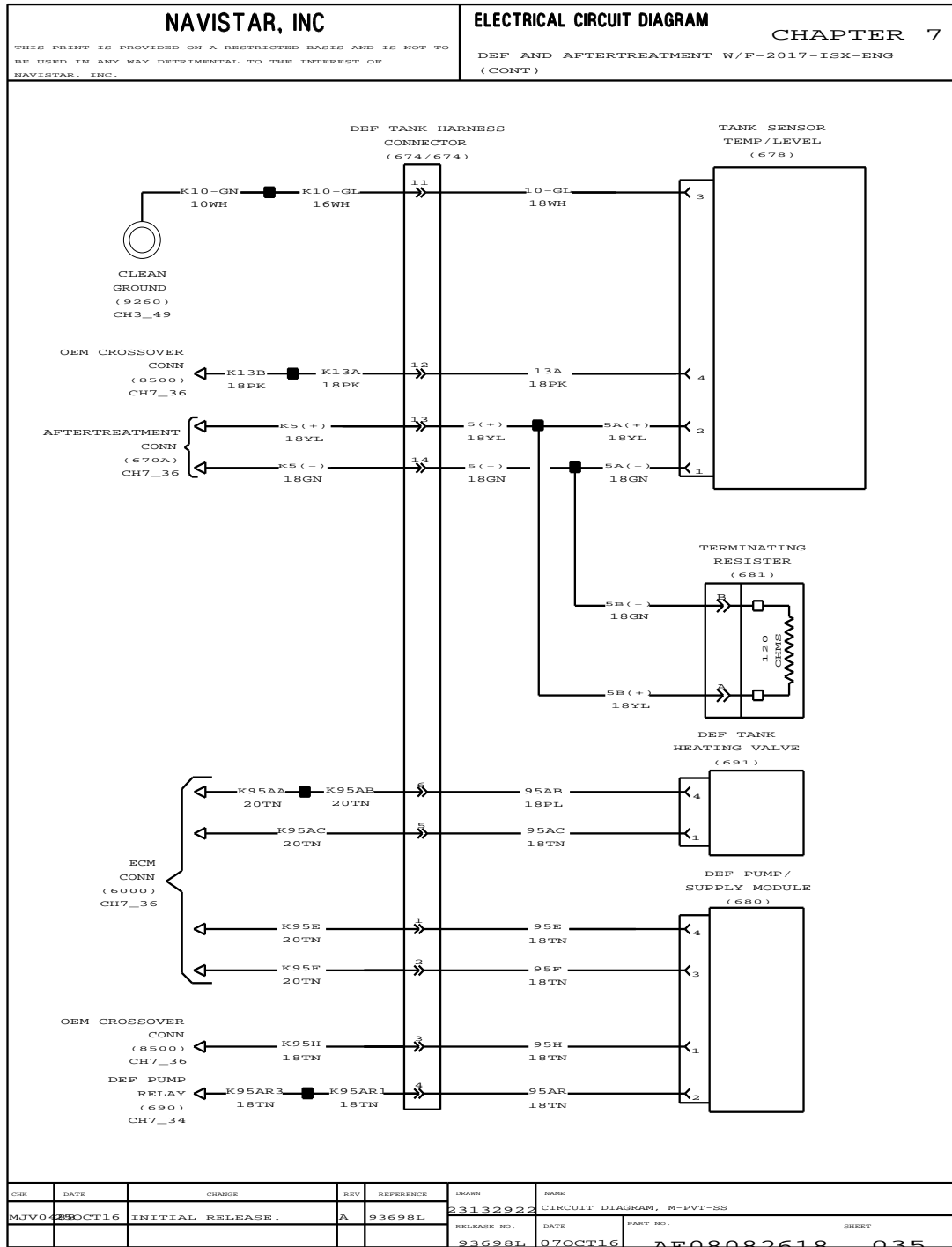


Figure 163 DEF and Aftertreatment with F-2017 ISX Engine (Cont.)

7.36. DEF AND AFTERTREATMENT WITH F-2017 ISX ENGINE (CONT.), P. 36

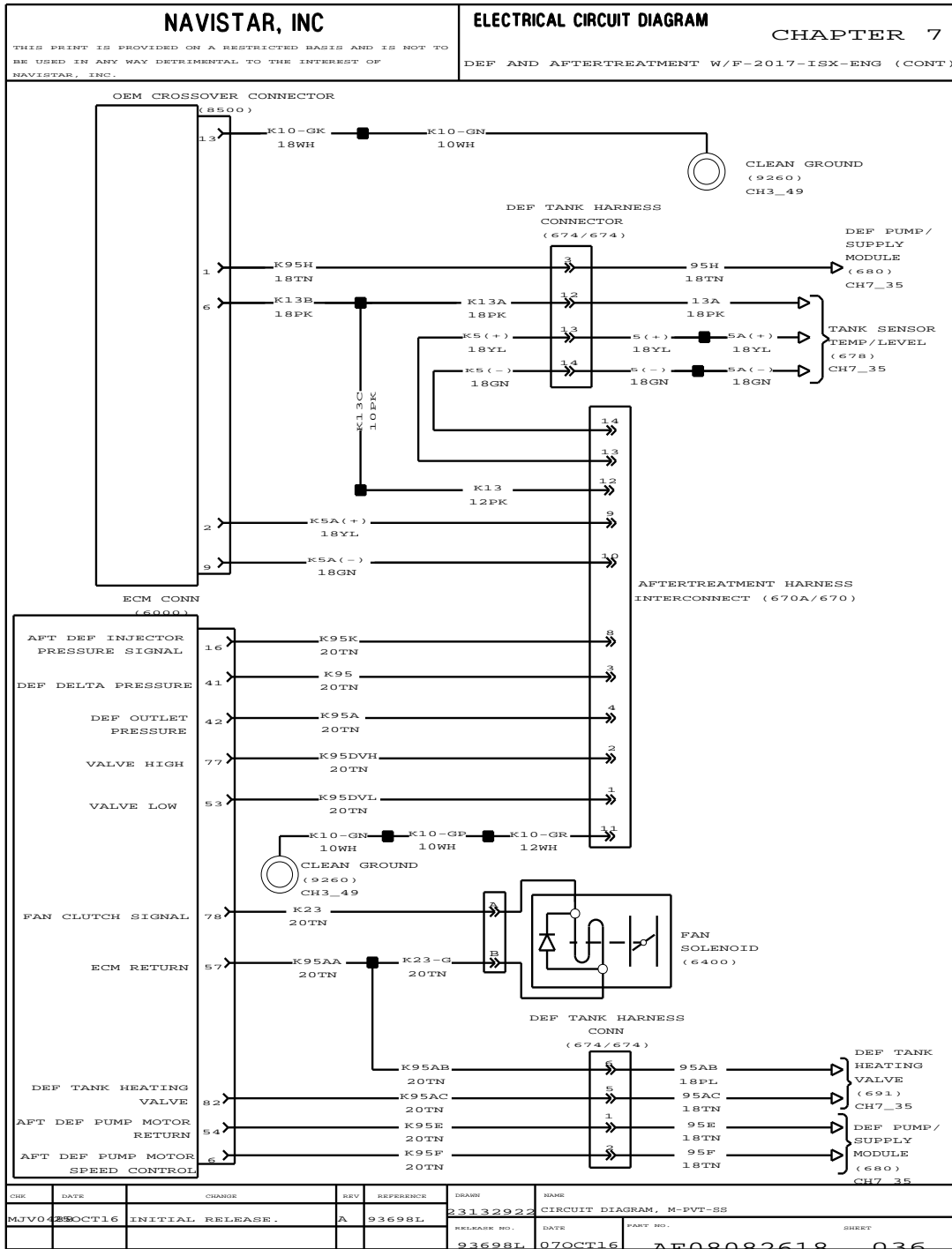


Figure 164 DEF and Aftertreatment with F-2017 ISX Engine (Cont.)

7.37. POWER DISTRIBUTION MODULE (PDM) PRODUCT GRAPHICS WITH F-2017 ISX ENGINE, P. 37

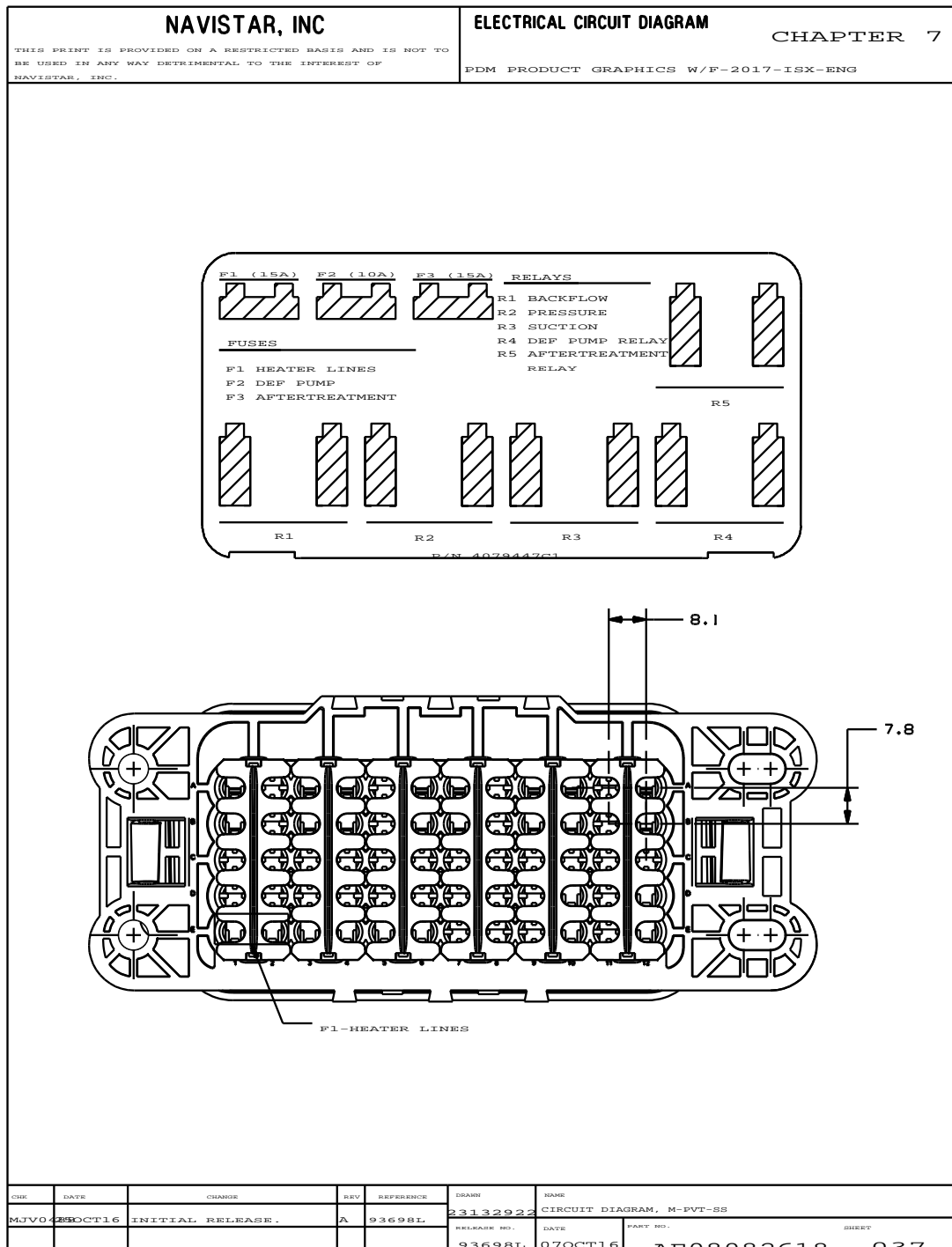


Figure 165 Power Distribution Module (PDM) Product Graphics with F-2017 ISX Engine

7.38. UNDERHOOD PDM WITH F-2017 ISX ENGINE, P. 38

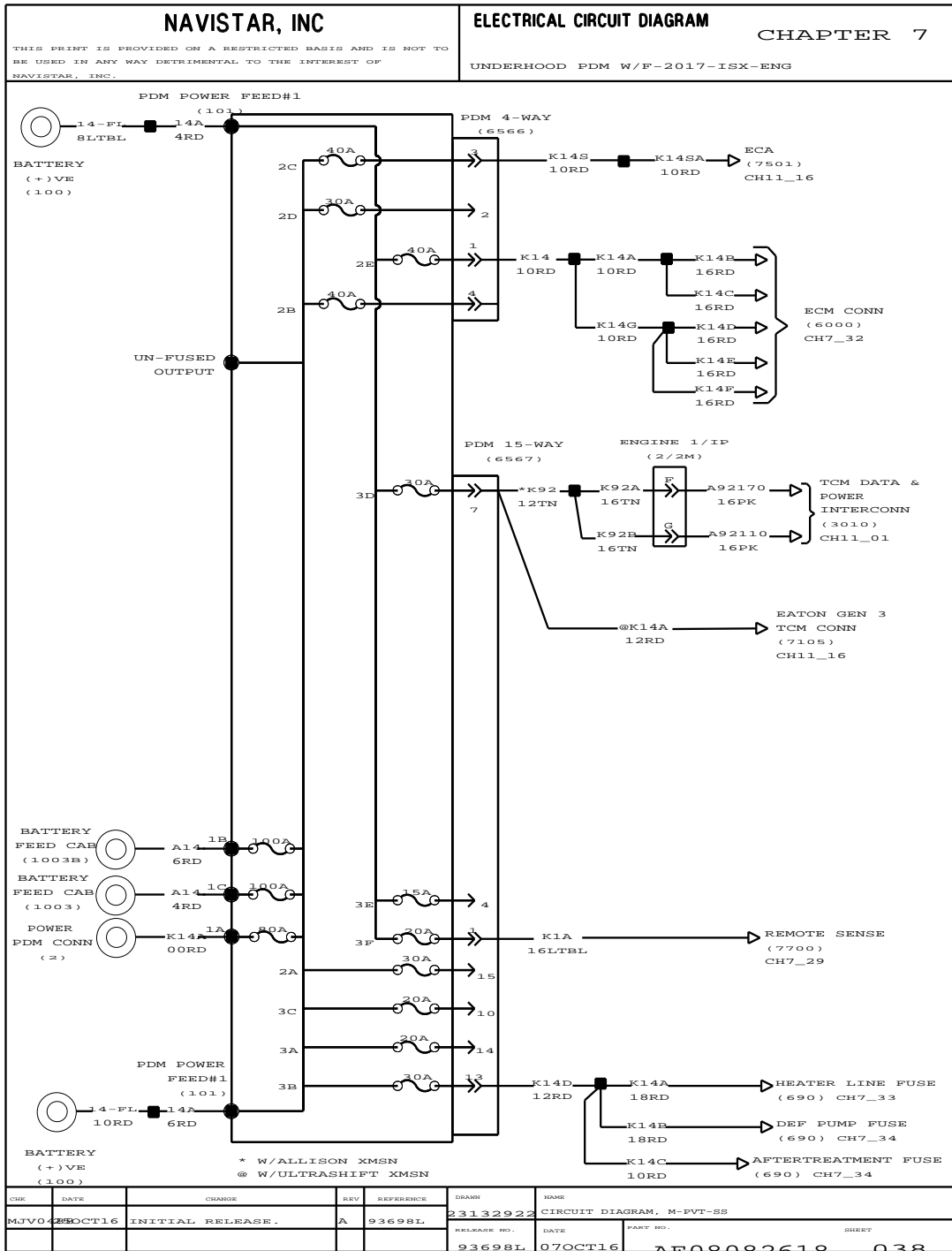


Figure 166 Underhood PDM with F-2017 ISX Engine

7.39. UNDERHOOD PDM WITH F-2017 ISX ENGINE (CONT.), P. 39

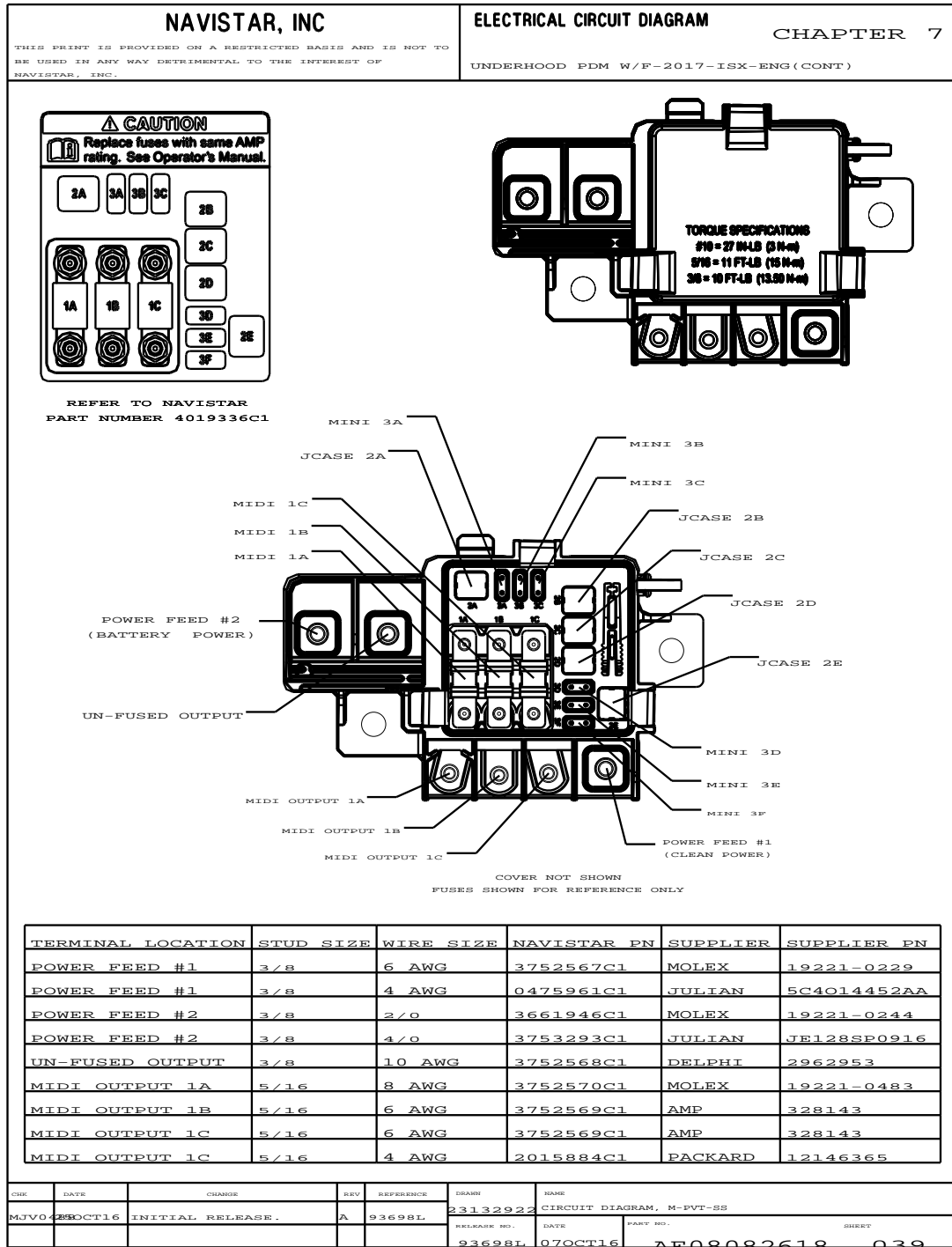


Figure 167 Underhood PDM with F-2017 ISX Engine (Cont.)

7.40. INTENTIONALLY LEFT BLANK, P. 40

NAVISTAR, INC				ELECTRICAL CIRCUIT DIAGRAM				CHAPTER 7			
THIS PRINT IS PROVIDED ON A RESTRICTED BASIS AND IS NOT TO BE USED IN ANY WAY DETRIMENTAL TO THE INTEREST OF NAVISTAR, INC.				INTENTIONALLY LEFT BLANK							
INTENTIONALLY LEFT BLANK											
CHK	DATE	CHANGE	REV	REFERENCE	DRAWN	NAME					
MJVO4	18APR18	INITIAL RELEASE.	A	94380Z	23096750	CIRCUIT DIAGRAM, M-PVT-SS					
					RELEASE NO.	DATE	PART NO.	SHEET			
					94380Z	10JAN18	AE08082618	040			

Figure 168 Intentionally Left Blank

7.41. CRUISE CONTROL WITH REMOTE CRUISE CONTROL N13 2017 ENGINE, P. 41

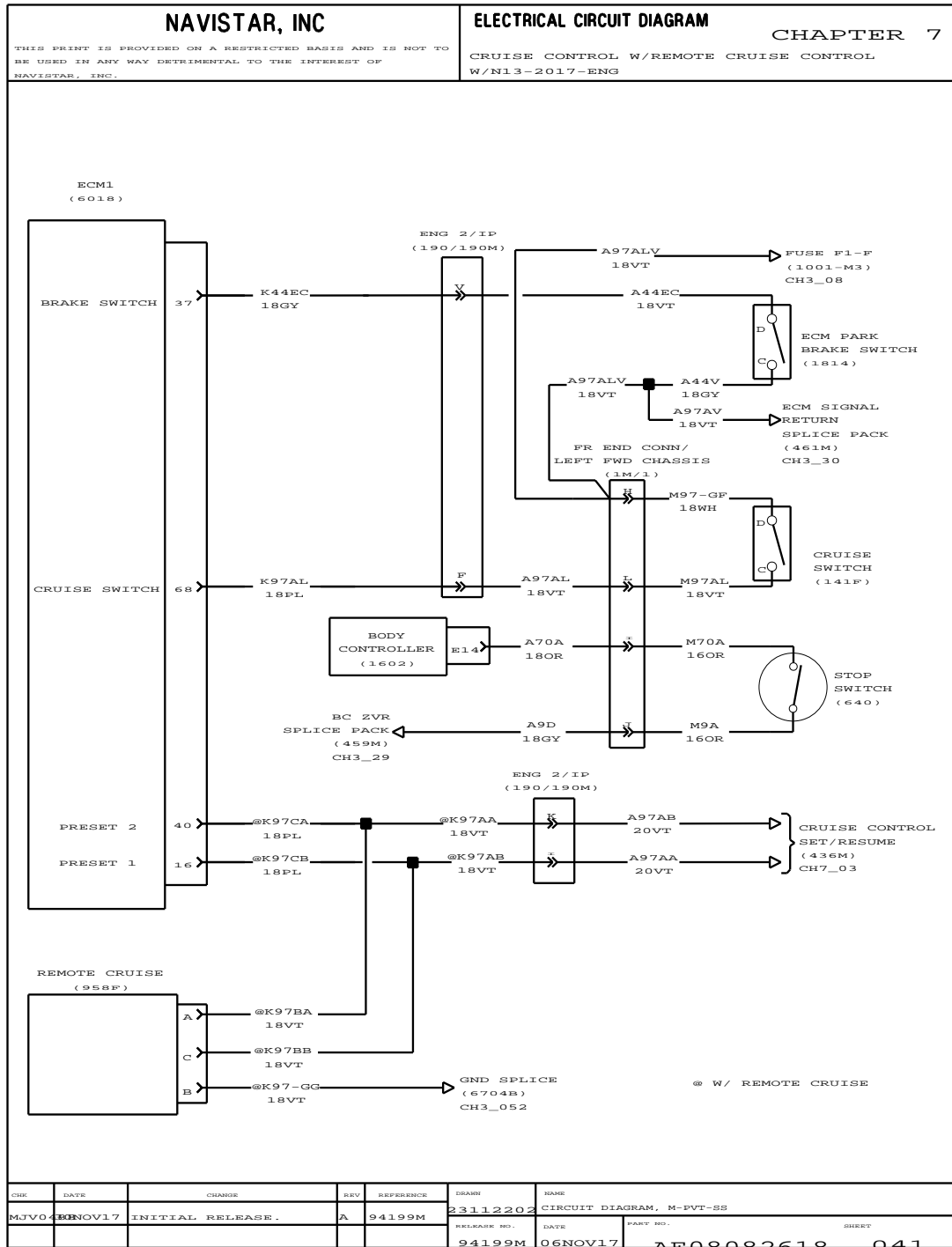


Figure 169 Cruise Control with Remote Cruise Control N13 2017 Engine

7.42. CRUISE CONTROL WITHOUT REMOTE CRUISE CONTROL N13 2017 ENGINE, P. 42

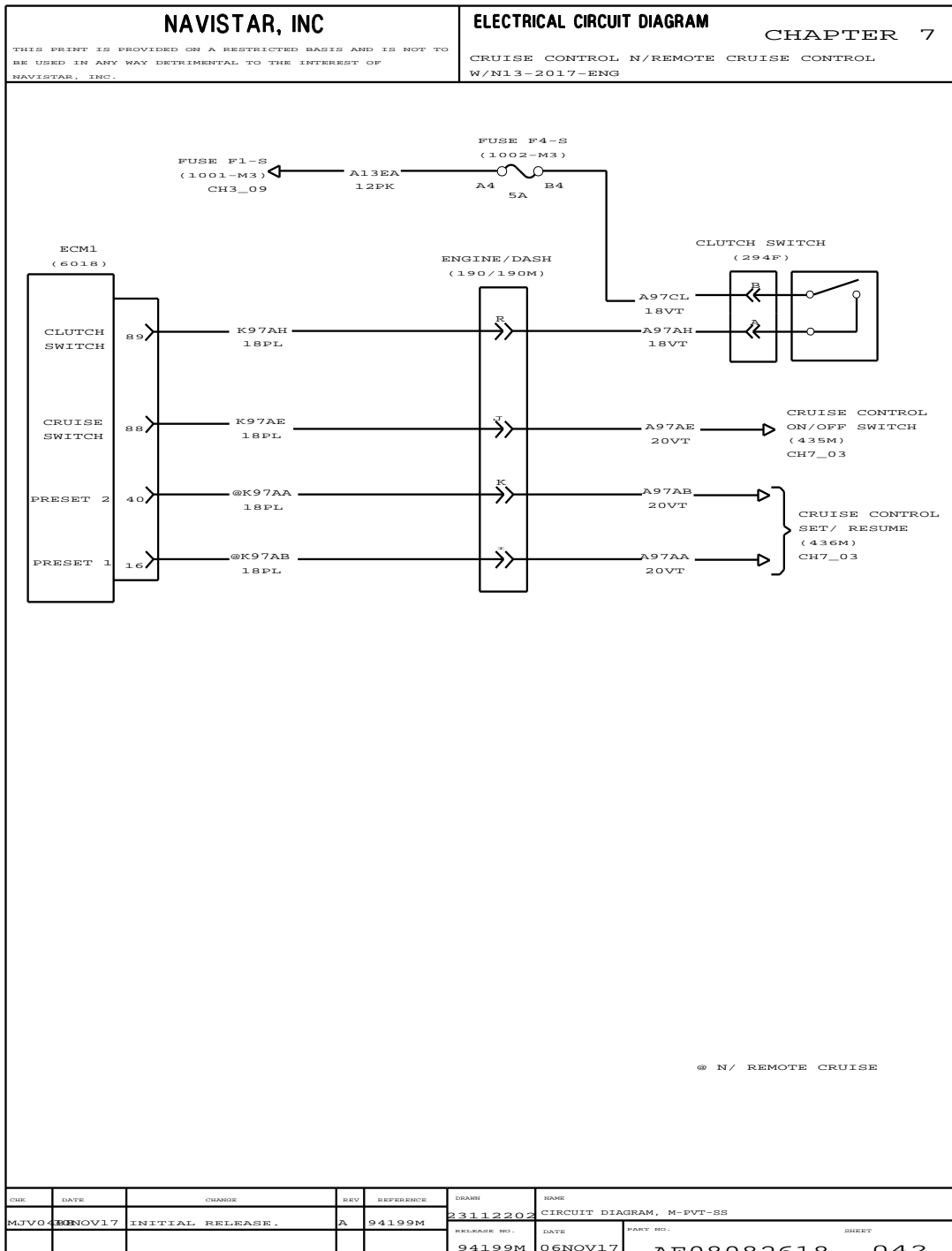


Figure 170 Cruise Control without Remote Cruise Control N13 2017 Engine

7.43. PTO REMOTE CONTROL WITH N13 2017 ENGINE, P. 43

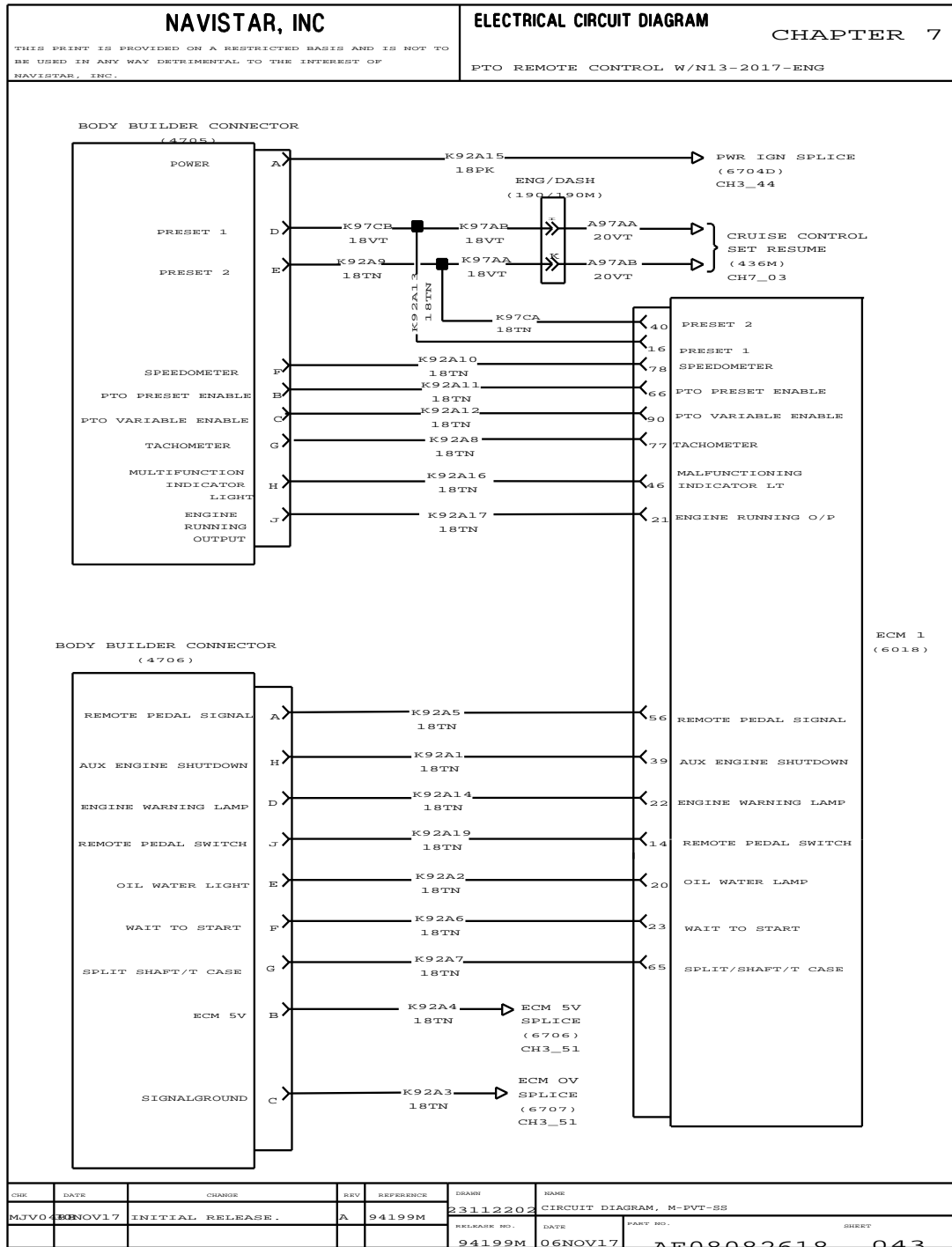


Figure 171 PTO Remote Control with N13 2017 Engine

7.44. ELECTRONIC CONTROL MODULE WITH N13 2017 ENGINE, P. 44

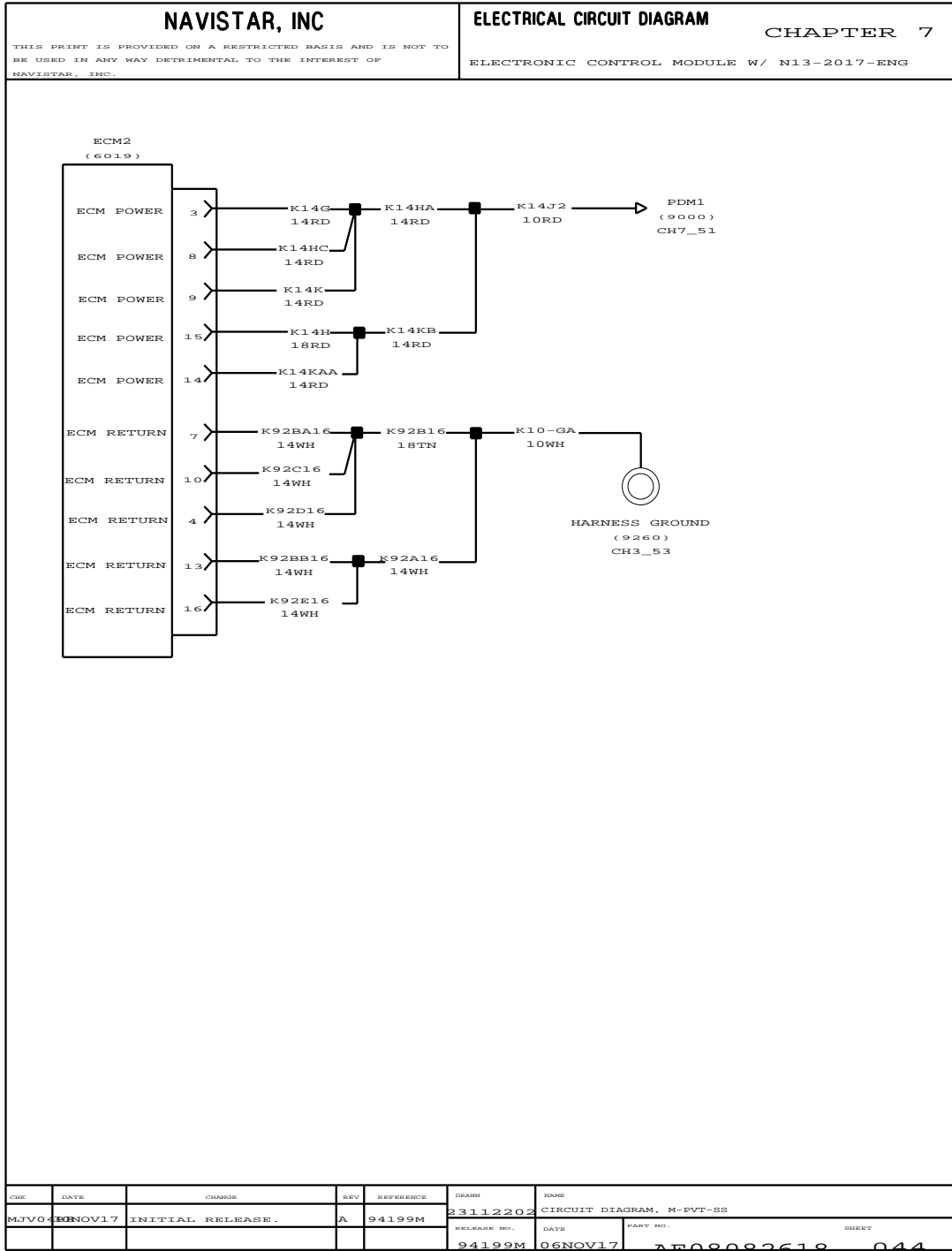


Figure 172 Electronic Control Module with N13 2017 Engine

7.45. ELECTRONIC CONTROL MODULE WITH N13 2017 ENGINE (CONT.), P. 45

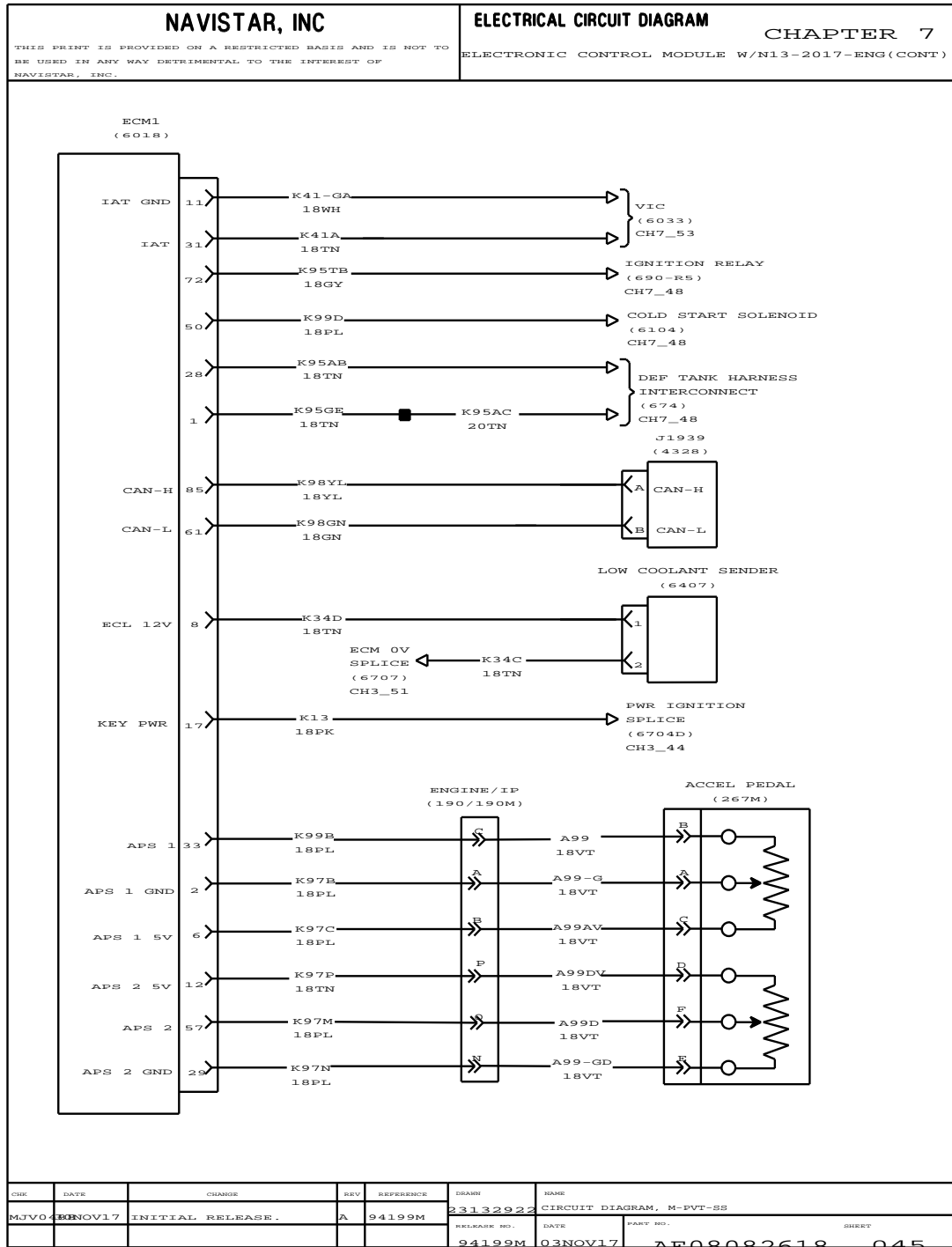


Figure 173 Electronic Control Module with N13 2017 Engine (Cont.)

7.46. DEF AND AFTERTREATMENT WITH N13 2017 ENGINE, P. 46

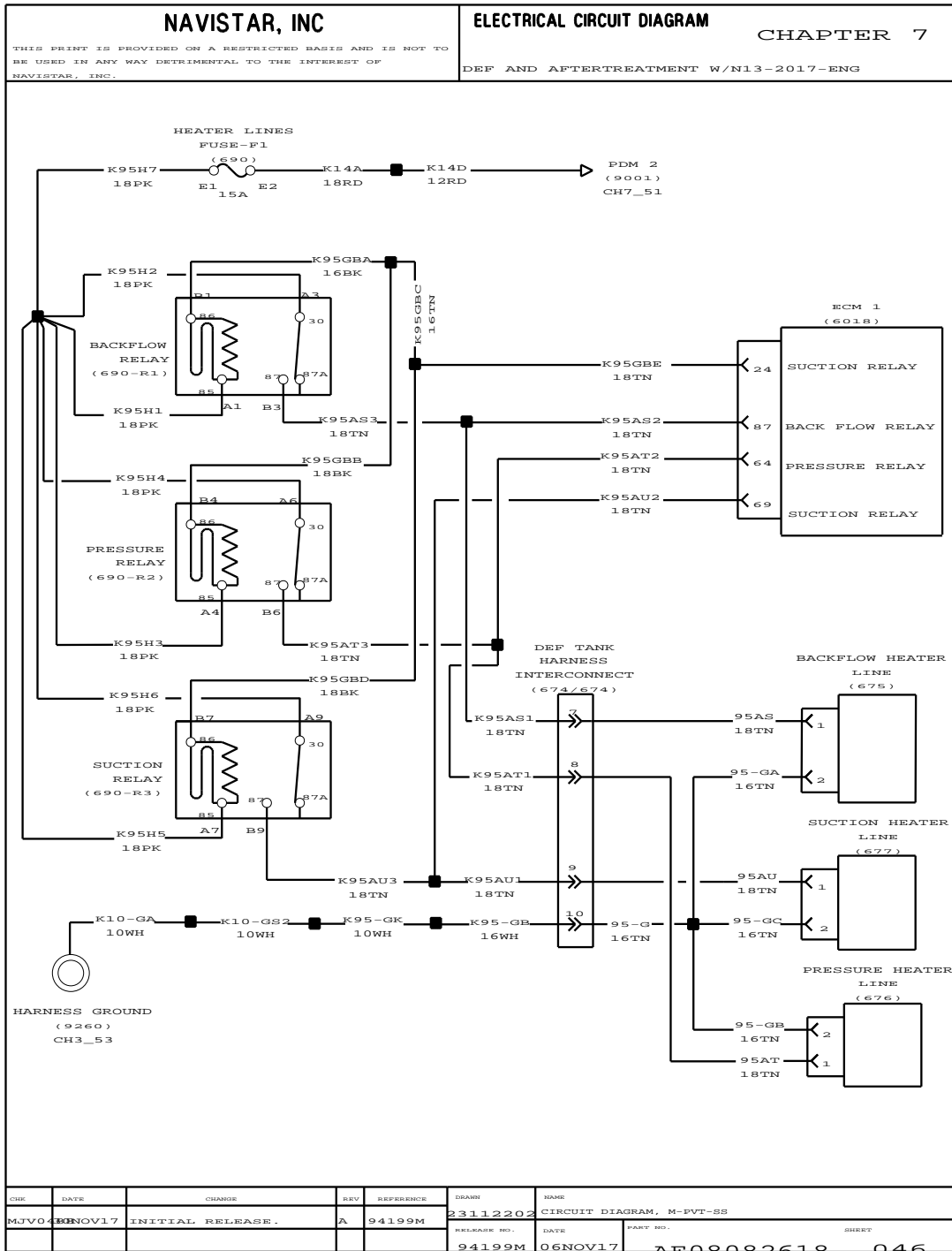


Figure 174 DEF and Aftertreatment with N13 2017 Engine

7.47. DEF AND AFTERTREATMENT WITH N13 2017 ENGINE (CONT.), P. 47

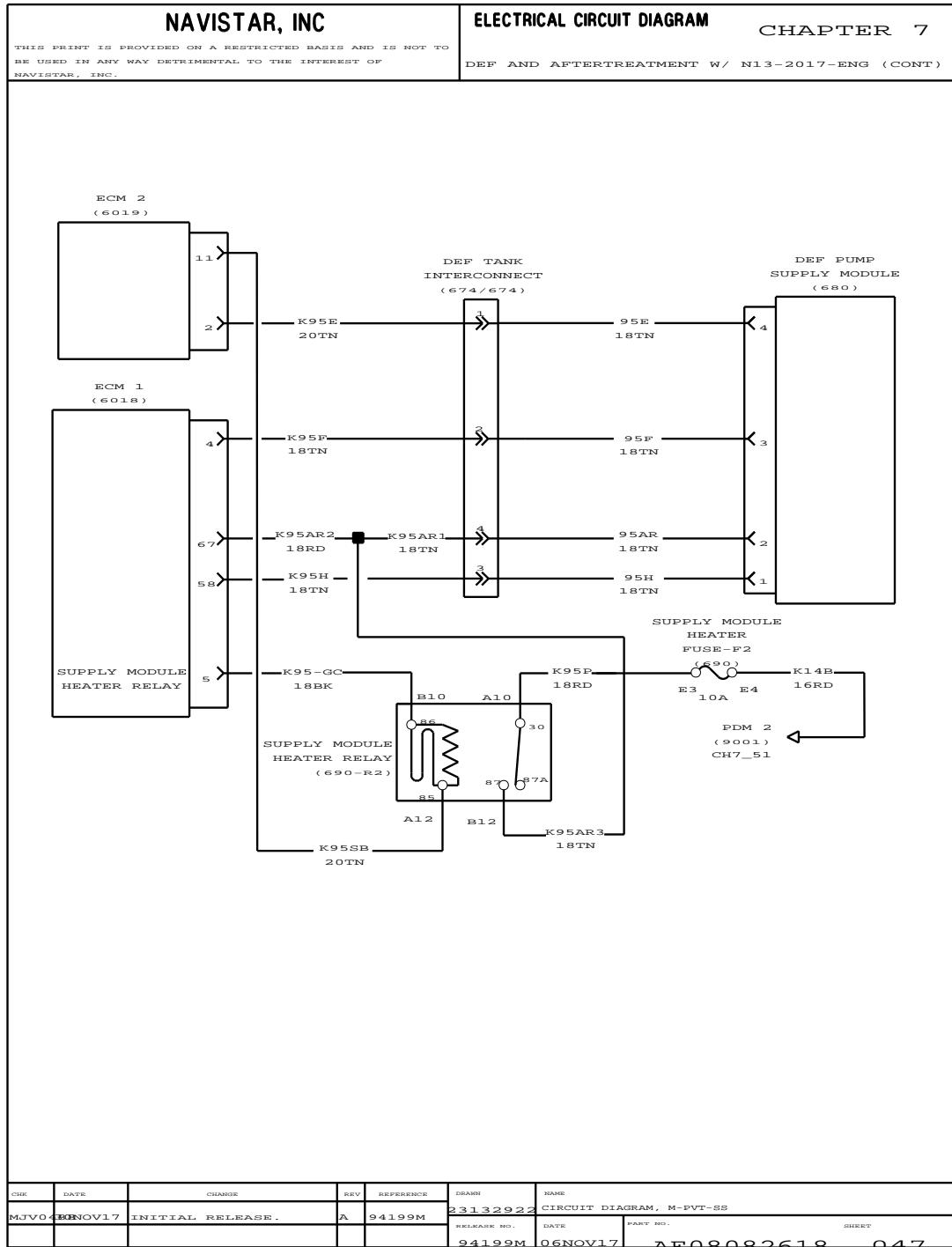


Figure 175 DEF and Aftertreatment with N13 2017 Engine (Cont.)

7.48. DEF AND AFTERTREATMENT WITH N13 2017 ENGINE (CONT.), P. 48

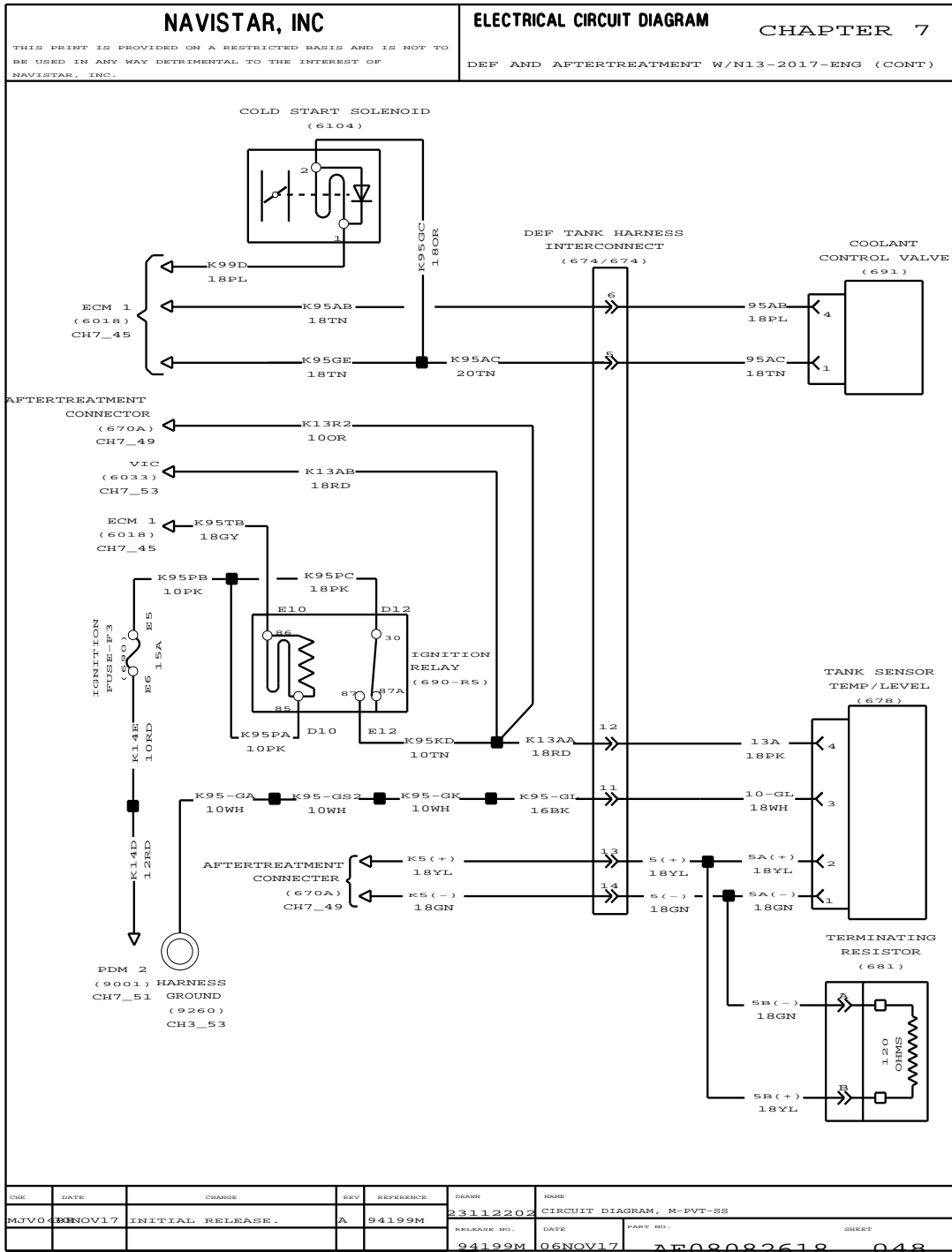


Figure 176 DEF and Aftertreatment with N13 2017 Engine (Cont.)

7.49. AFTERTREATMENT HORIZONTAL EXHAUST WITH N13 2017 ENGINE, P. 49

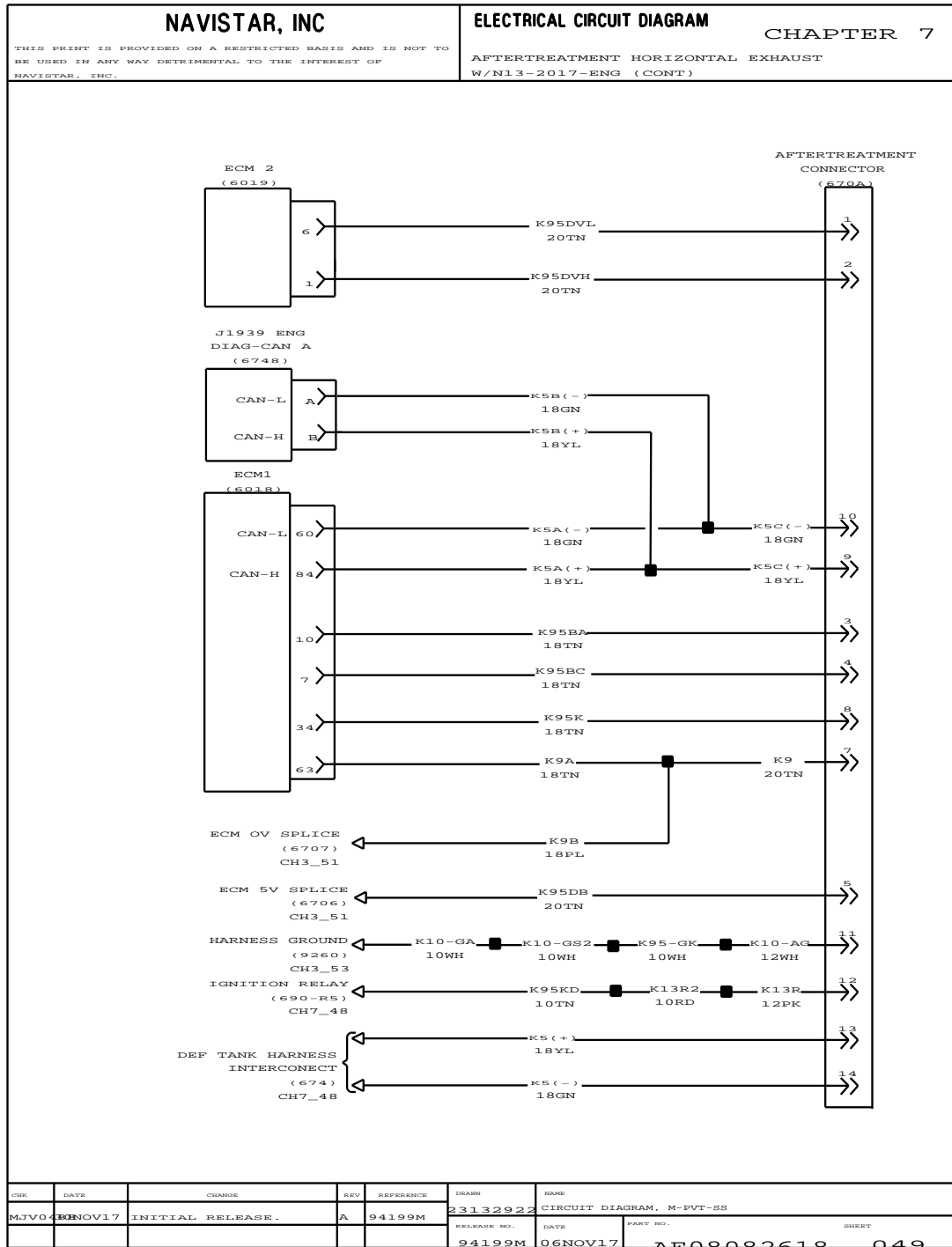


Figure 177 Aftertreatment Horizontal Exhaust with N13 2017 Engine

7.50. PDM PRODUCT GRAPHICS WITH N13 2017 ENGINE, P. 50

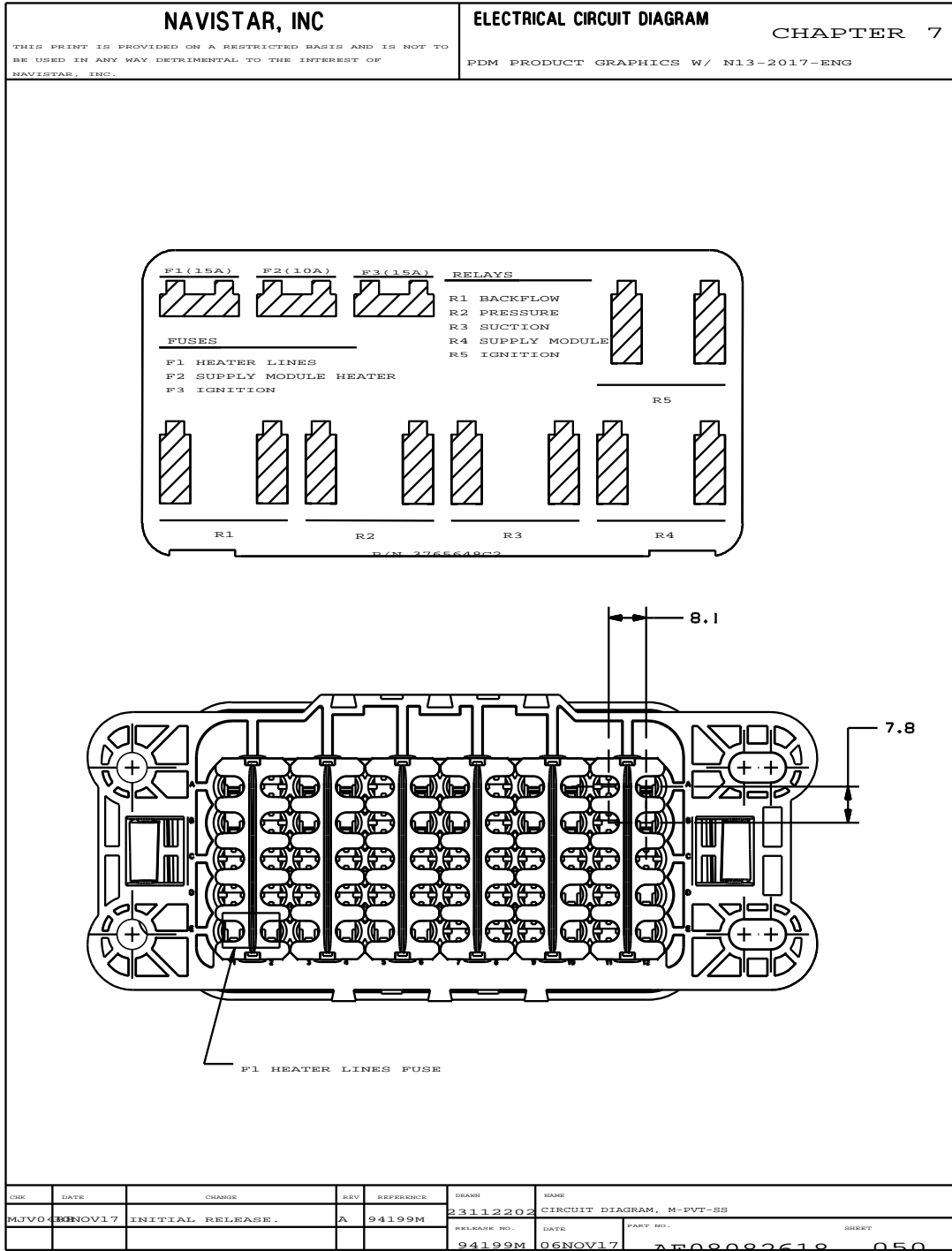


Figure 178 PDM Product Graphics with N13 2017 Engine

7.51. UNDERHOOD PDM WITH N13 2017 ENGINE, P. 51

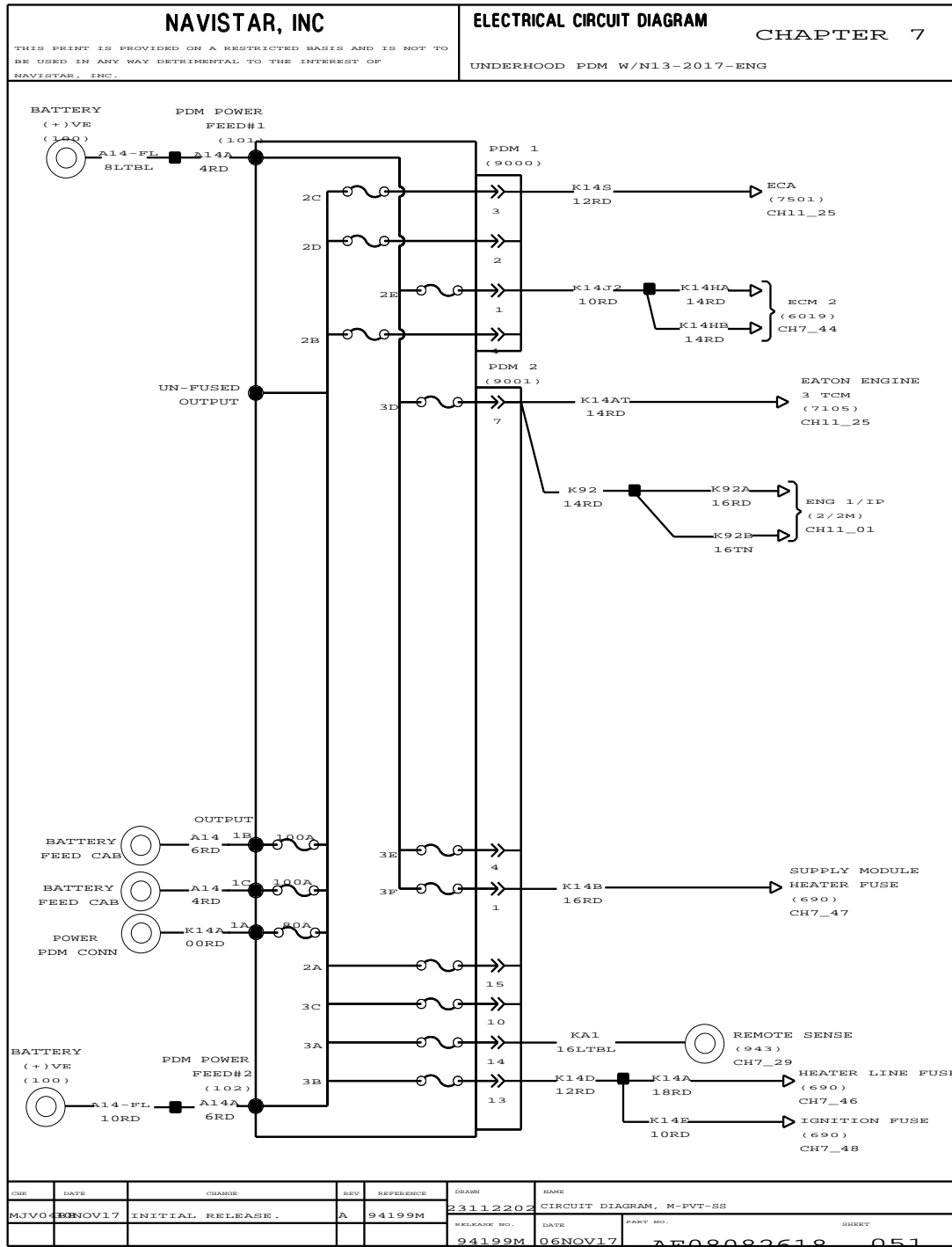


Figure 179 Underhood PDM with N13 2017 Engine

7.52. UNDERHOOD PDM PRODUCT GRAPHIC WITH N13 2017 ENGINE, P. 52

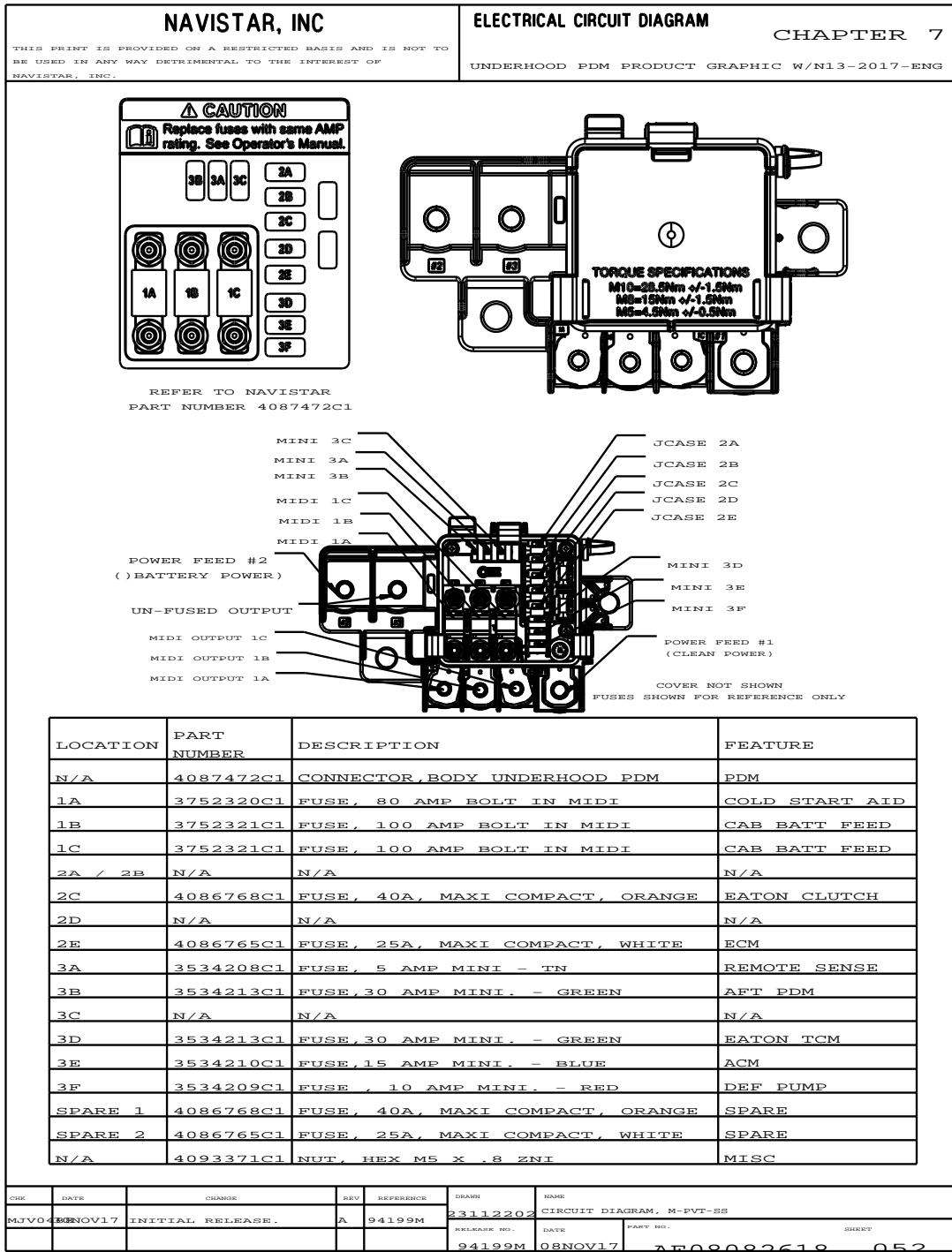


Figure 180 Underhood PDM Product Graphic with N13 2017 Engine

7.53. STARTING AIR WITH FLAME START WITH N13 2017 ENGINE, P. 53

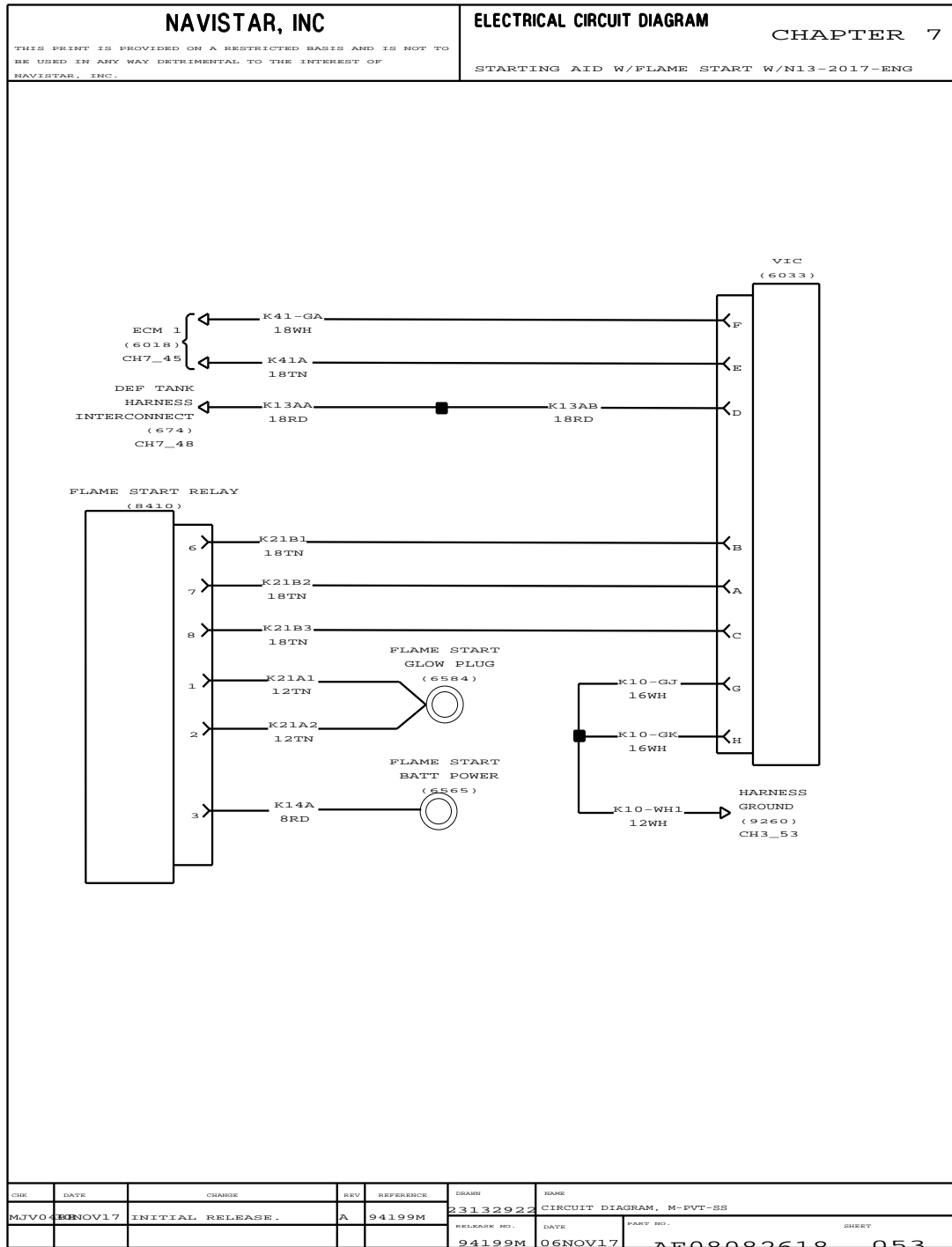


Figure 181 Starting Air with Flame Start with N13 2017 Engine

GAUGES AND WARNING LIGHTS (CHAPTER 8)

8.1. GAUGES – CLUSTER CONNECTOR, P. 1

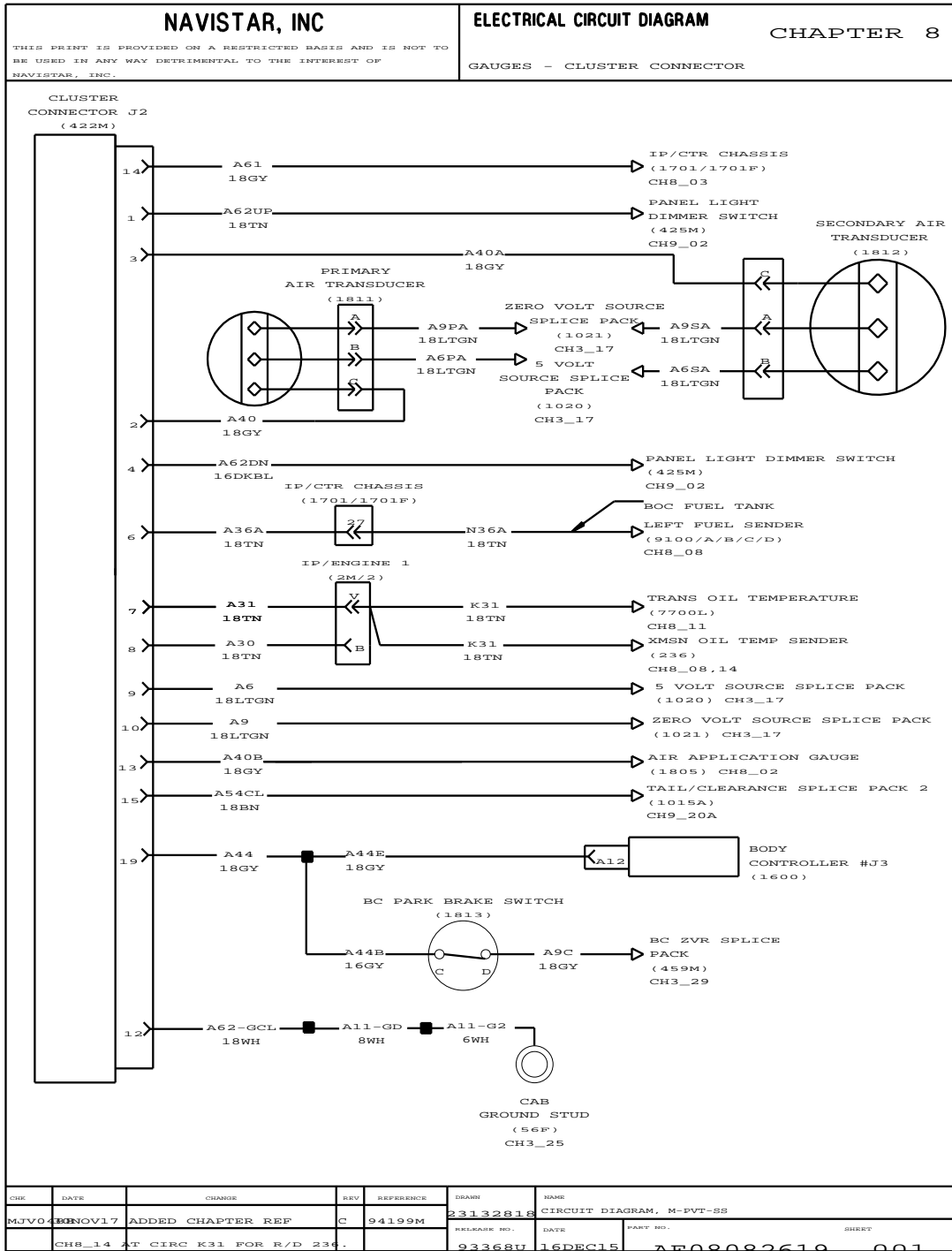


Figure 182 Gauges – Cluster Connector

8.2. BRAKE APPLICATION GAUGE WIRING, P. 2

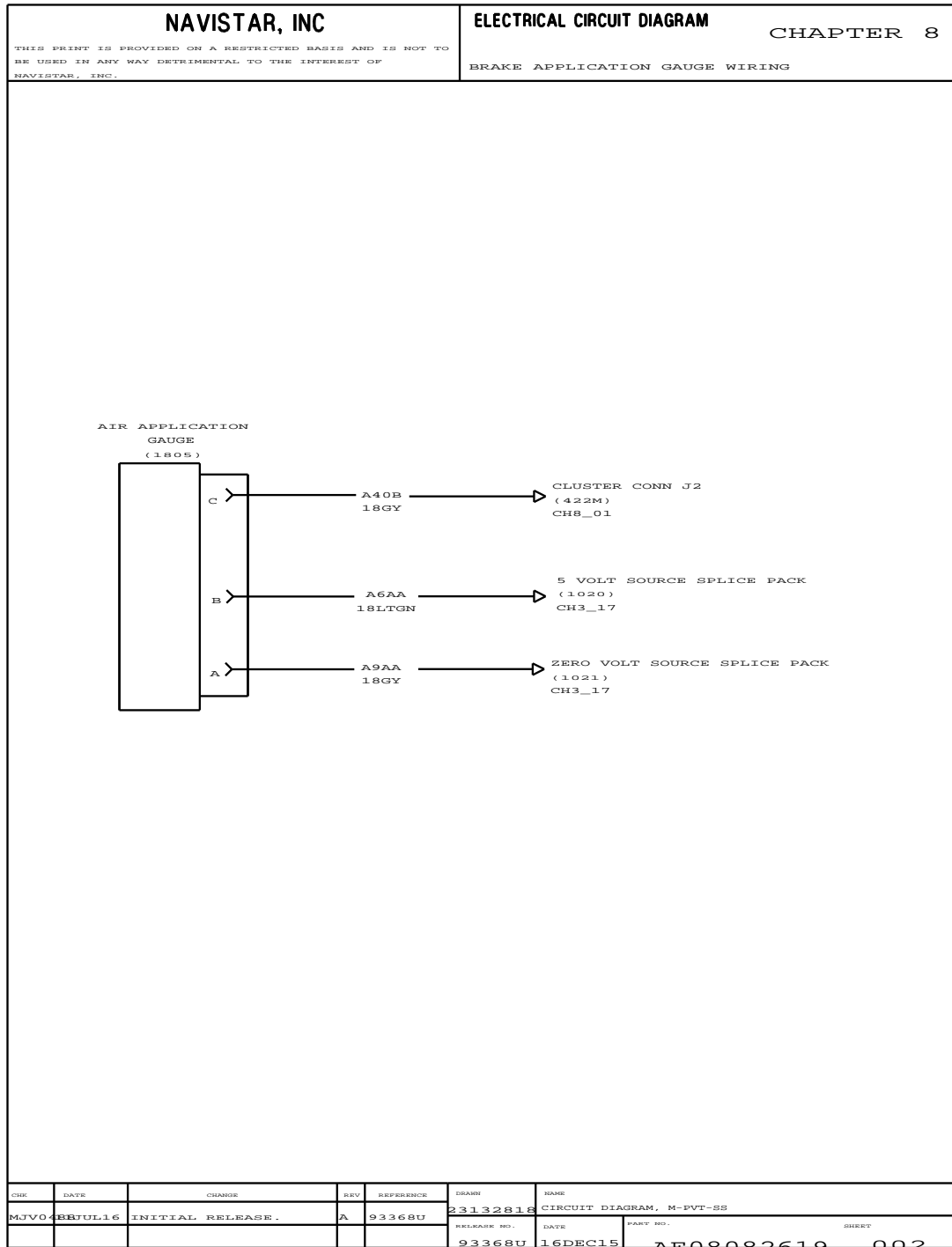


Figure 183 Brake Application Gauge Wiring

8.3. SUSPENSION GAUGE WITH TRIDEM, P. 3

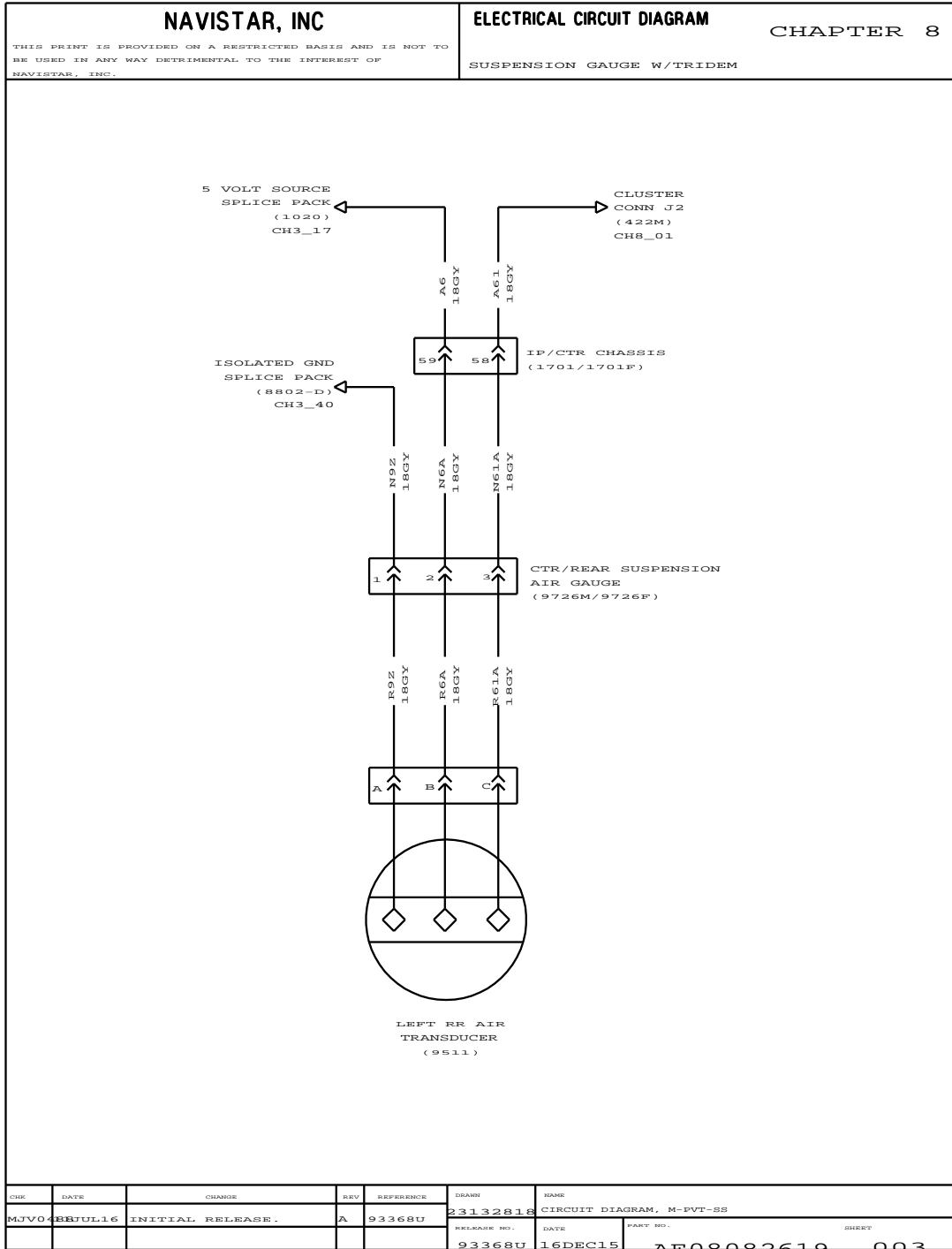


Figure 184 Suspension Gauge with Tridem

8.4. REAR AXLE TEMPERATURE GAUGE WITH TRIDEM, P. 4

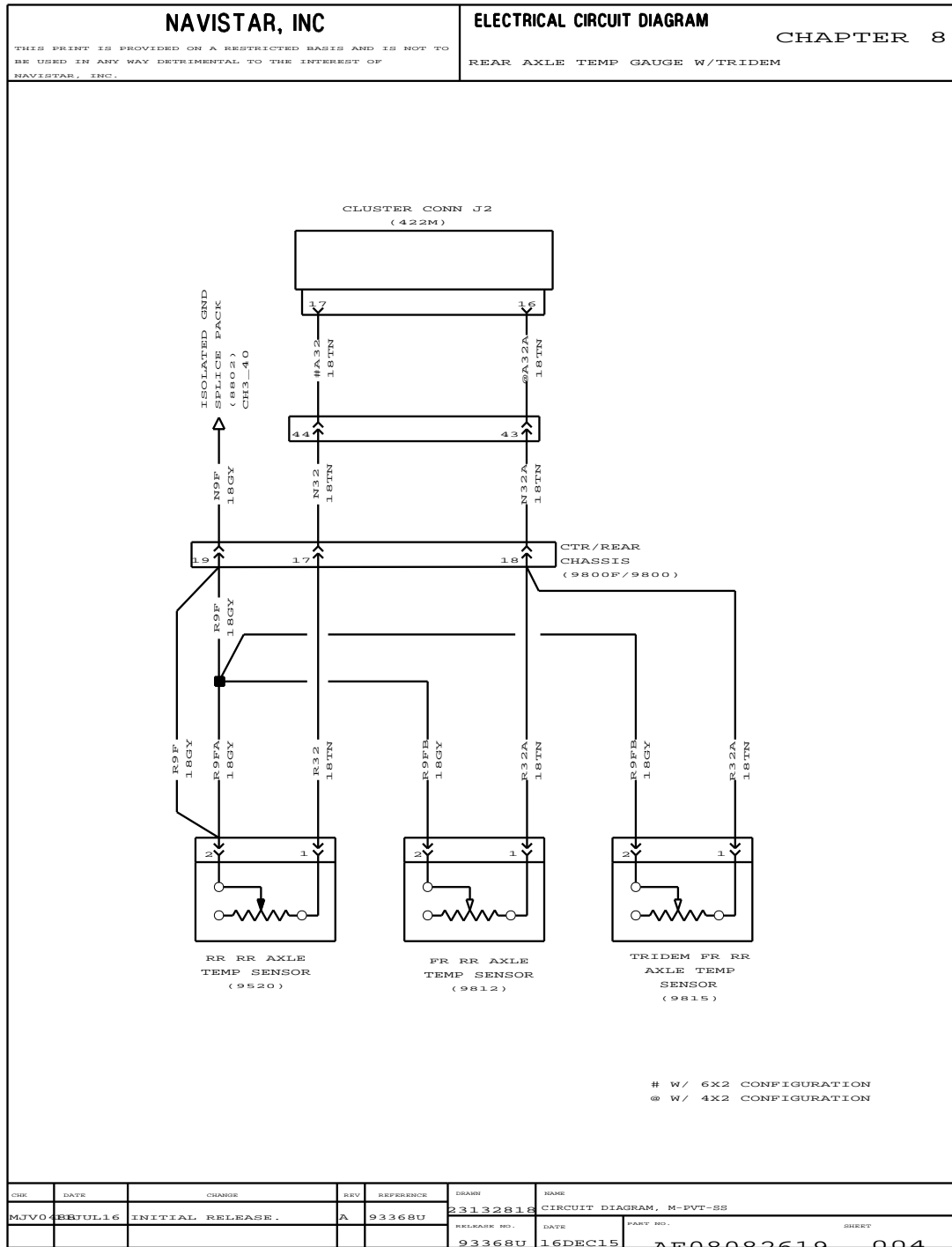


Figure 185 Rear Axle Temperature Gauge with Tridem

8.5. TWO SPEED AXLE, P. 5

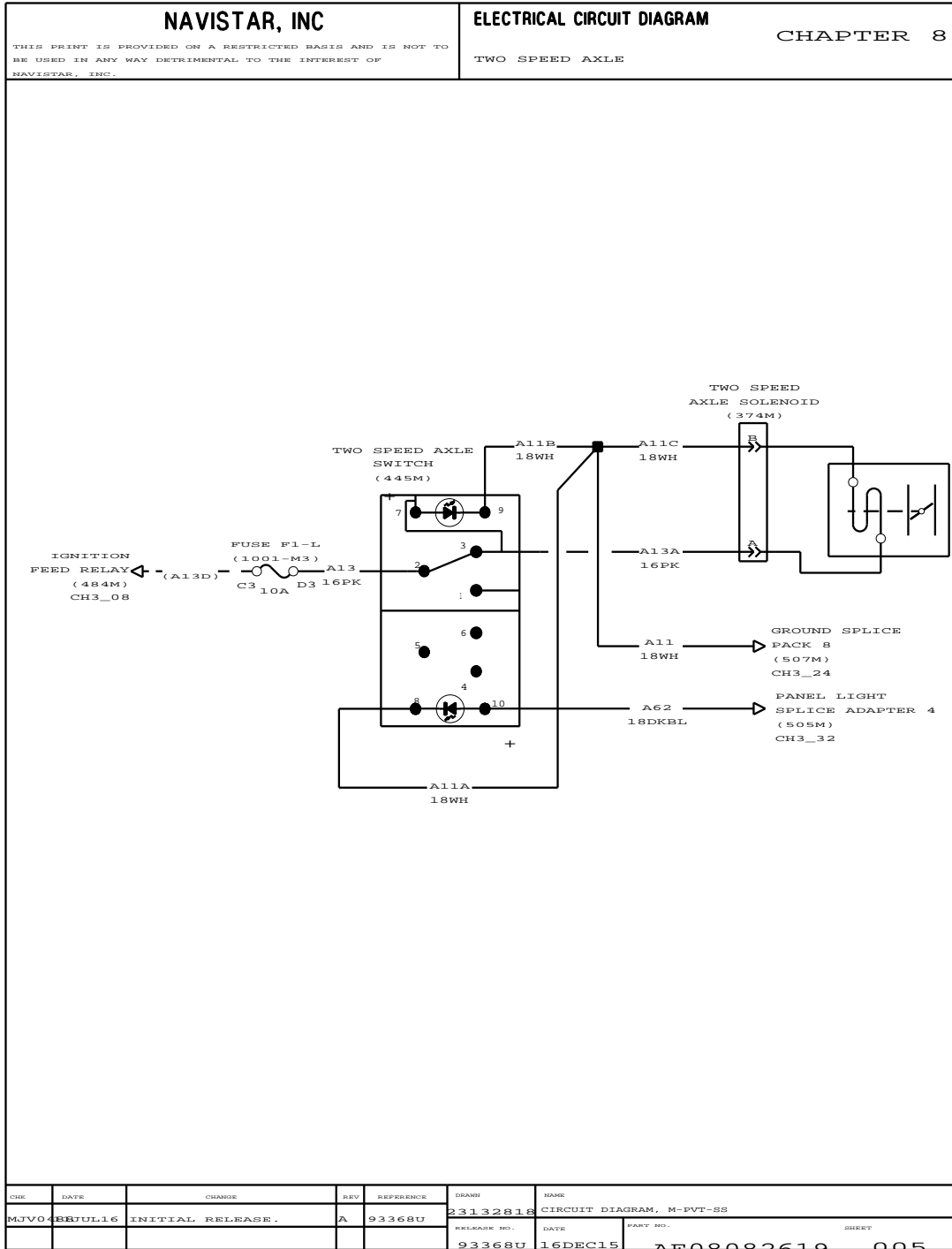


Figure 186 Two Speed Axle

8.6. POWER DIVIDER LOCK, P. 6

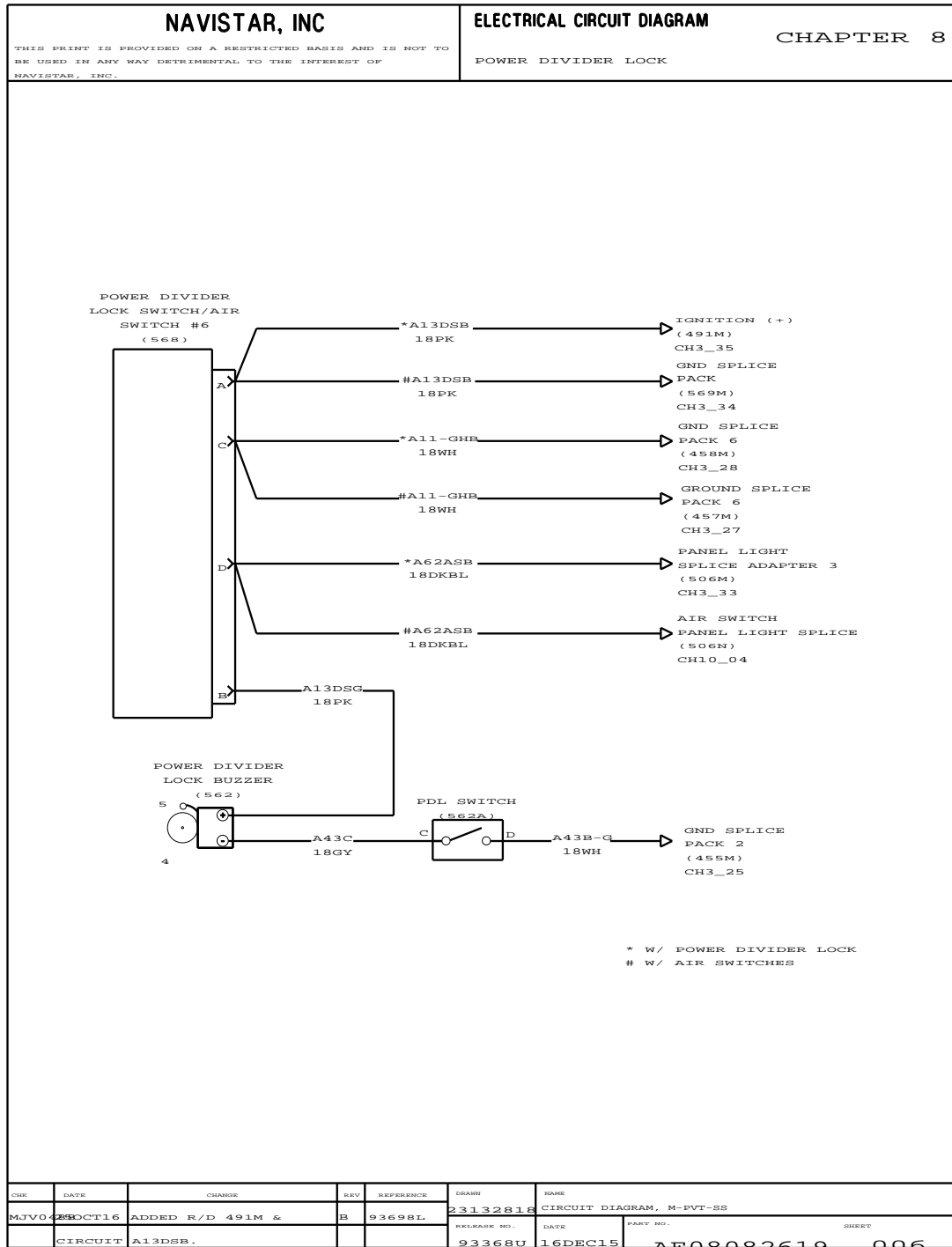


Figure 187 Power Divider Lock

8.7. FUEL HEATER, P. 7

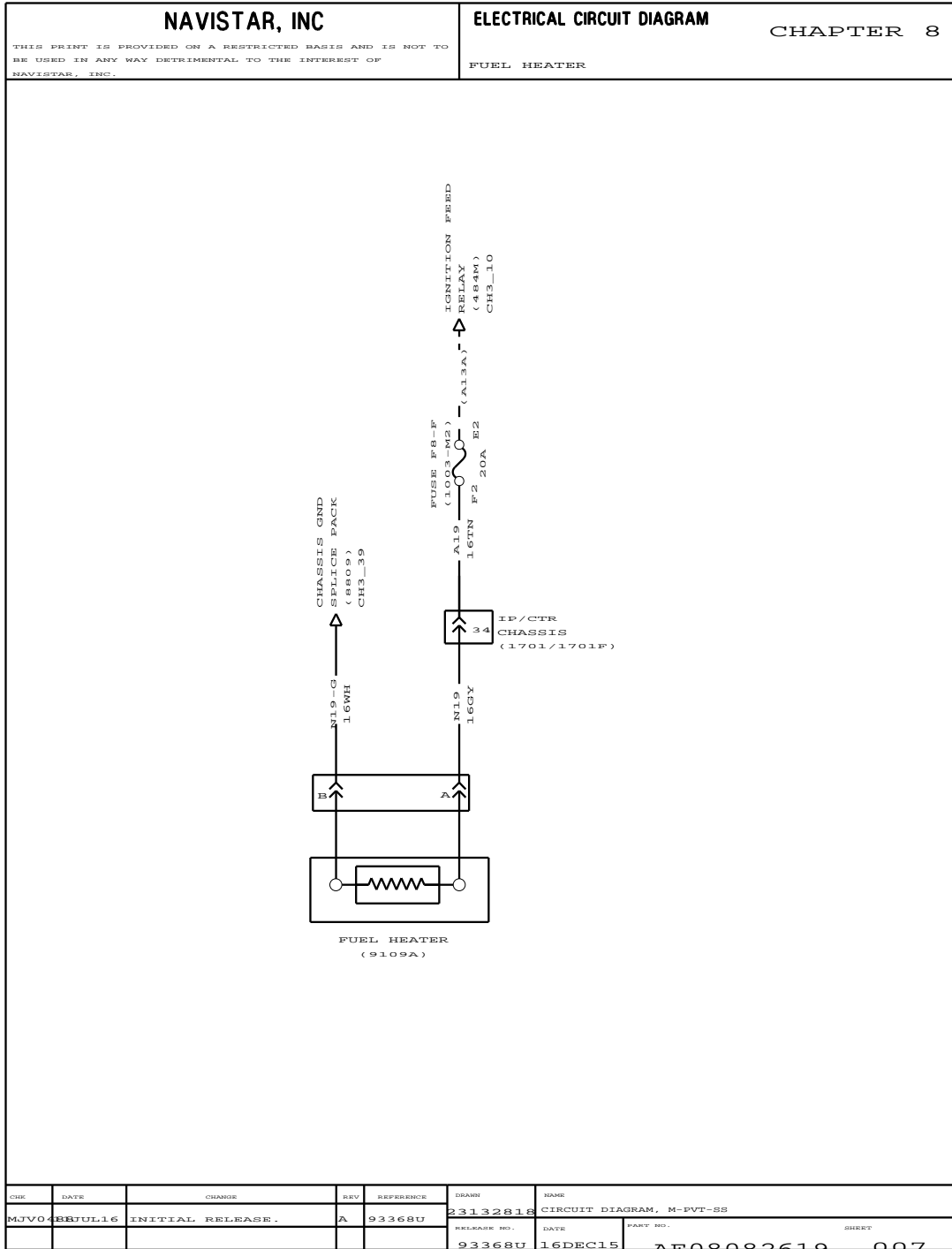


Figure 188 Fuel Heater

8.8. FUEL AND TEMPERATURE SENDERS, P. 8

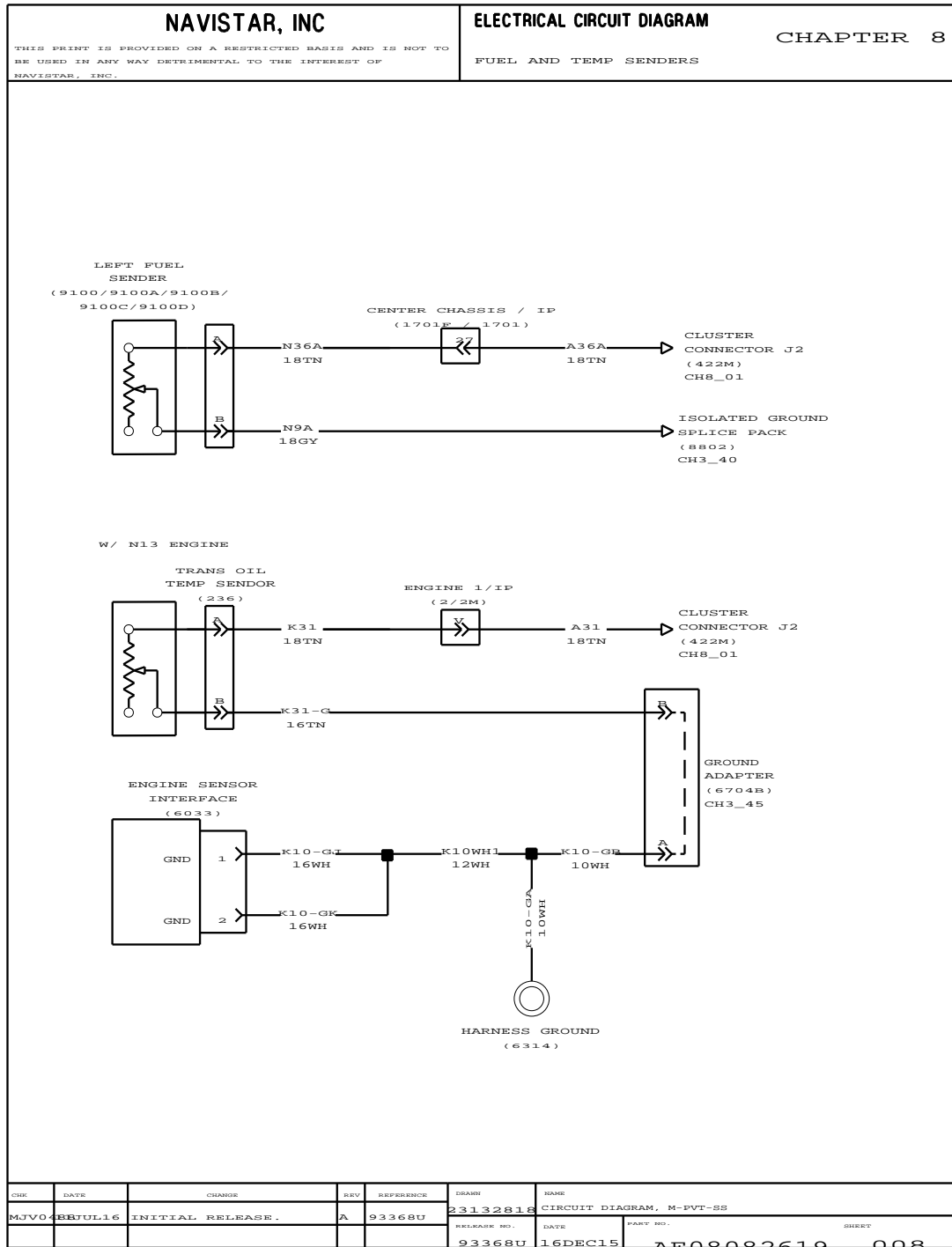


Figure 189 Fuel and Temperature Senders

8.9. AIR FILTER RESTRICTION GAUGE WARNING, P. 9

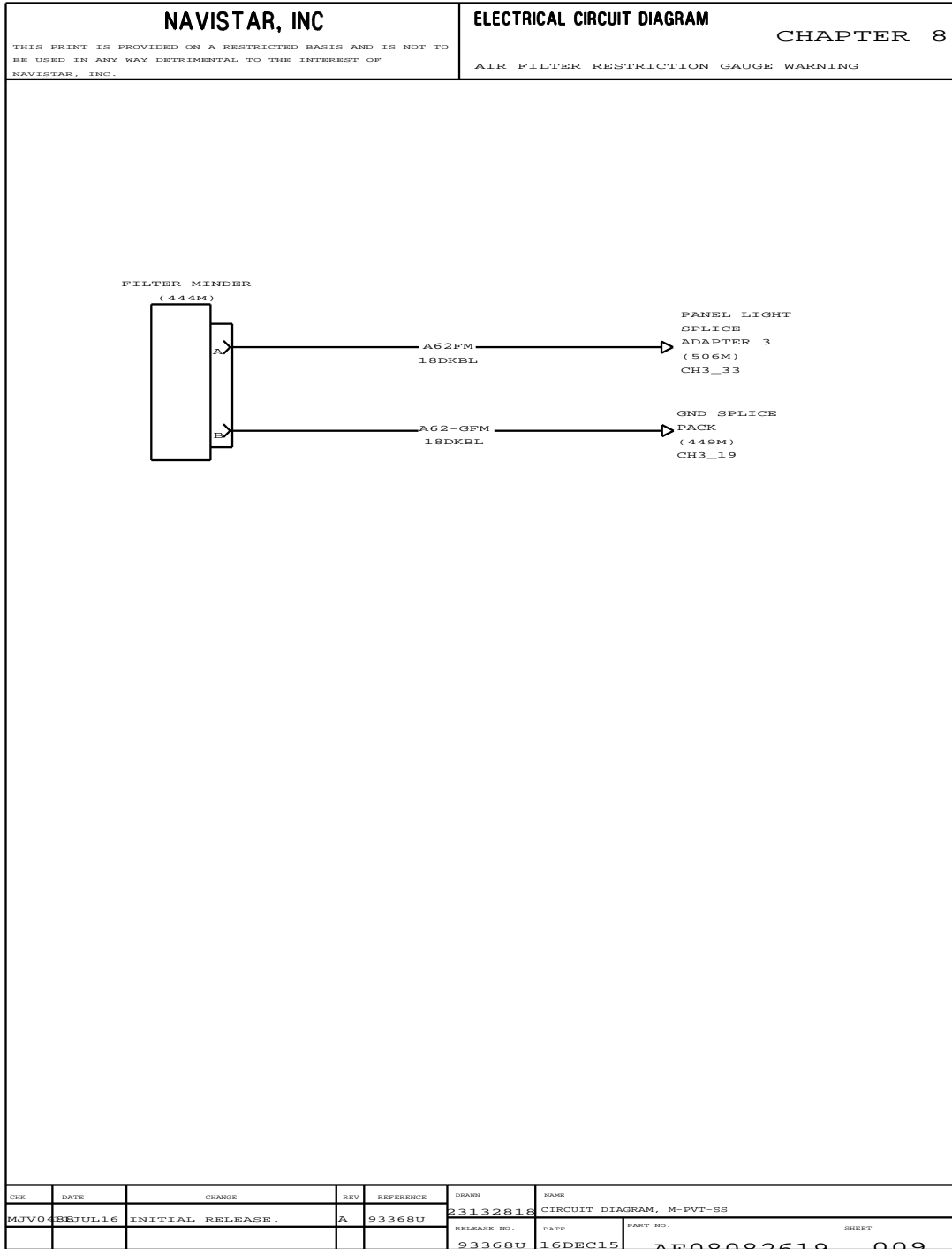


Figure 190 Air Filter Restriction Gauge Warning

8.10. FUEL WATER SEPARATOR WITH F-2013, 2017-ISX ENGINE, P. 10

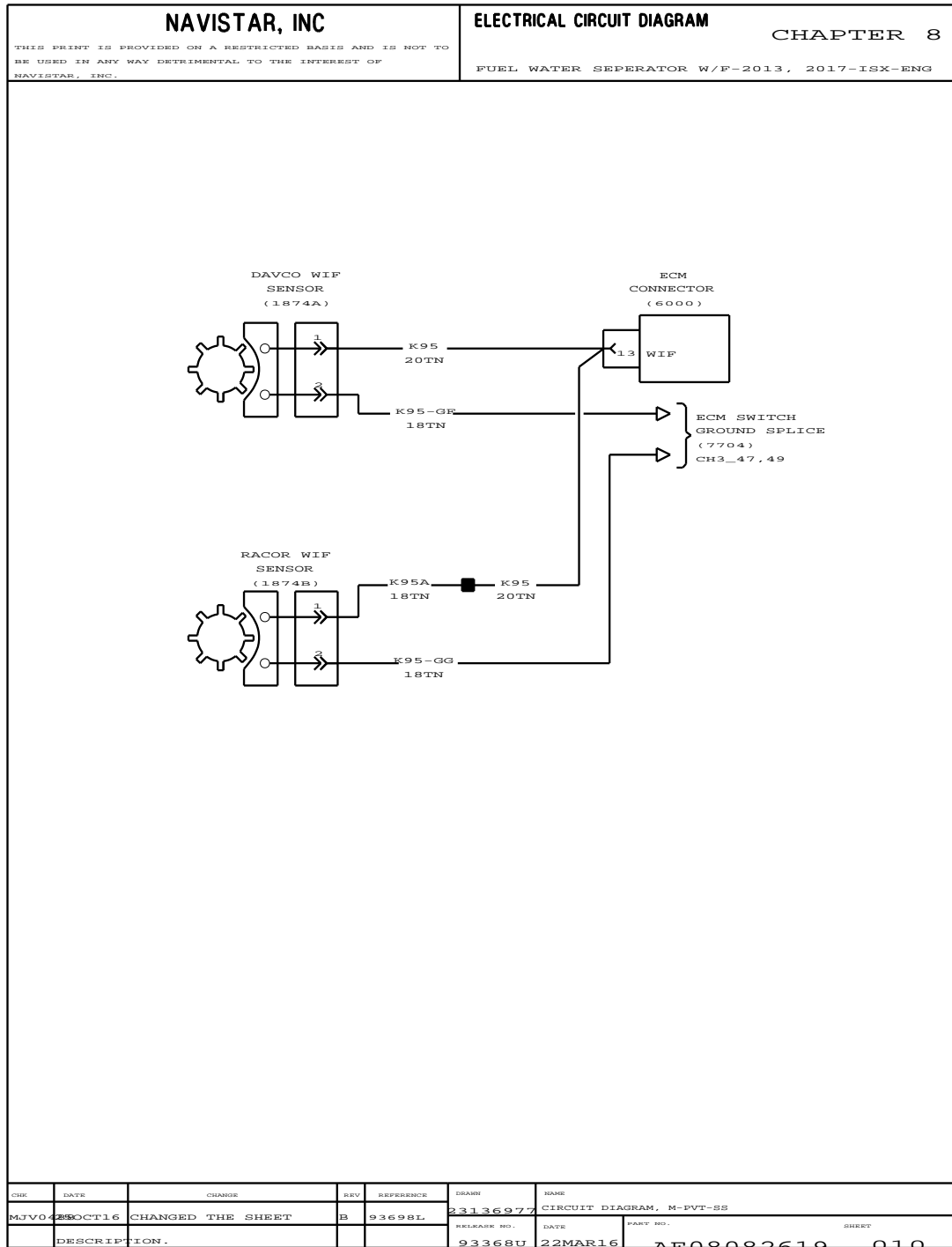


Figure 191 Fuel Water Separator with F-2013, 2017-ISX Engine

8.11. TRANSMISSION OIL TEMPERATURE AND WITH ADVANTAGE SERIES TRANSMISSION WITH F-2013, 2017-ISX ENGINE, P. 11

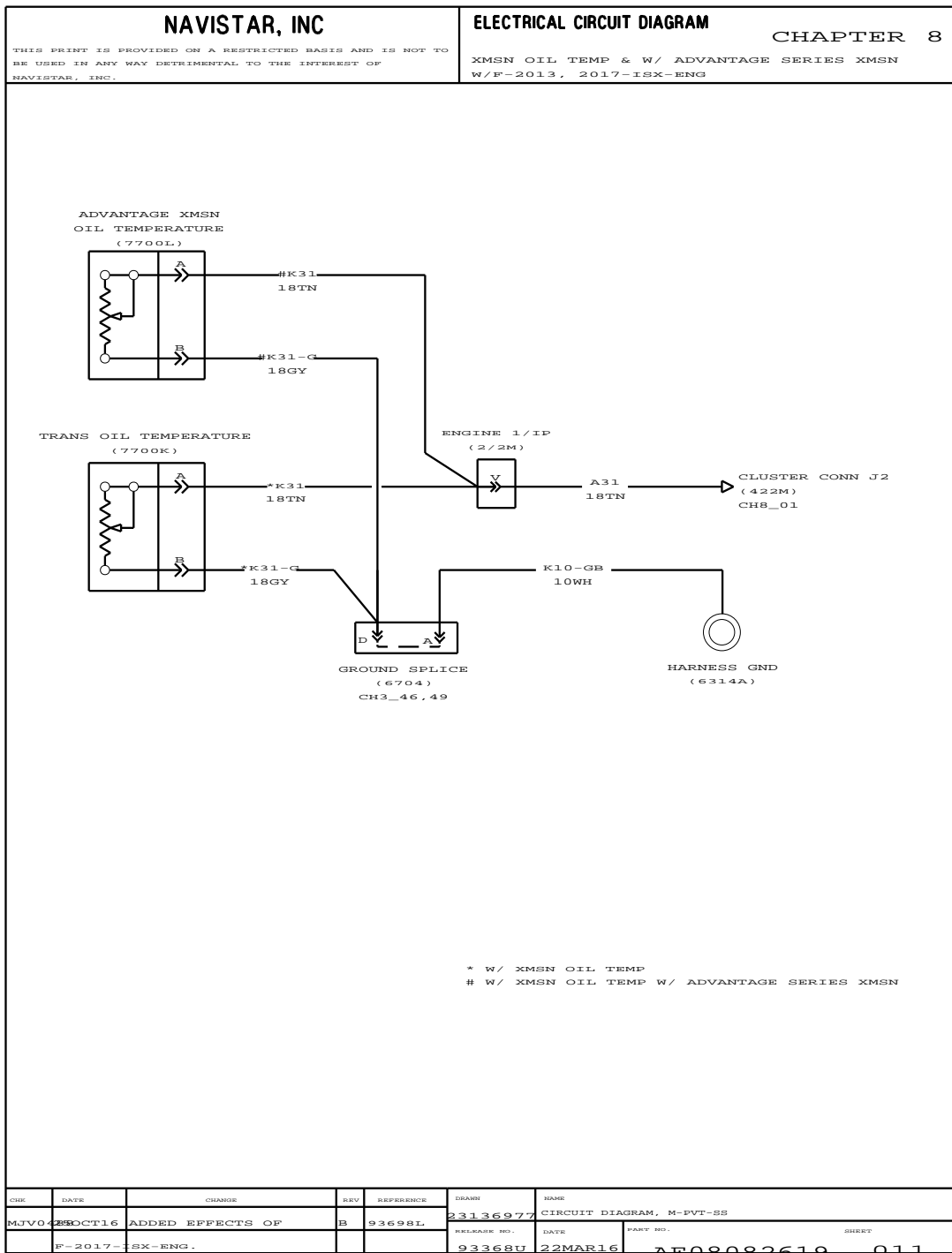


Figure 192 Transmission Oil Temperature and with Advantage Series Transmission with F-2013, 2017-ISX Engine

8.12. FUEL WATER SEPARATOR WITH N13 ENGINE, P. 12

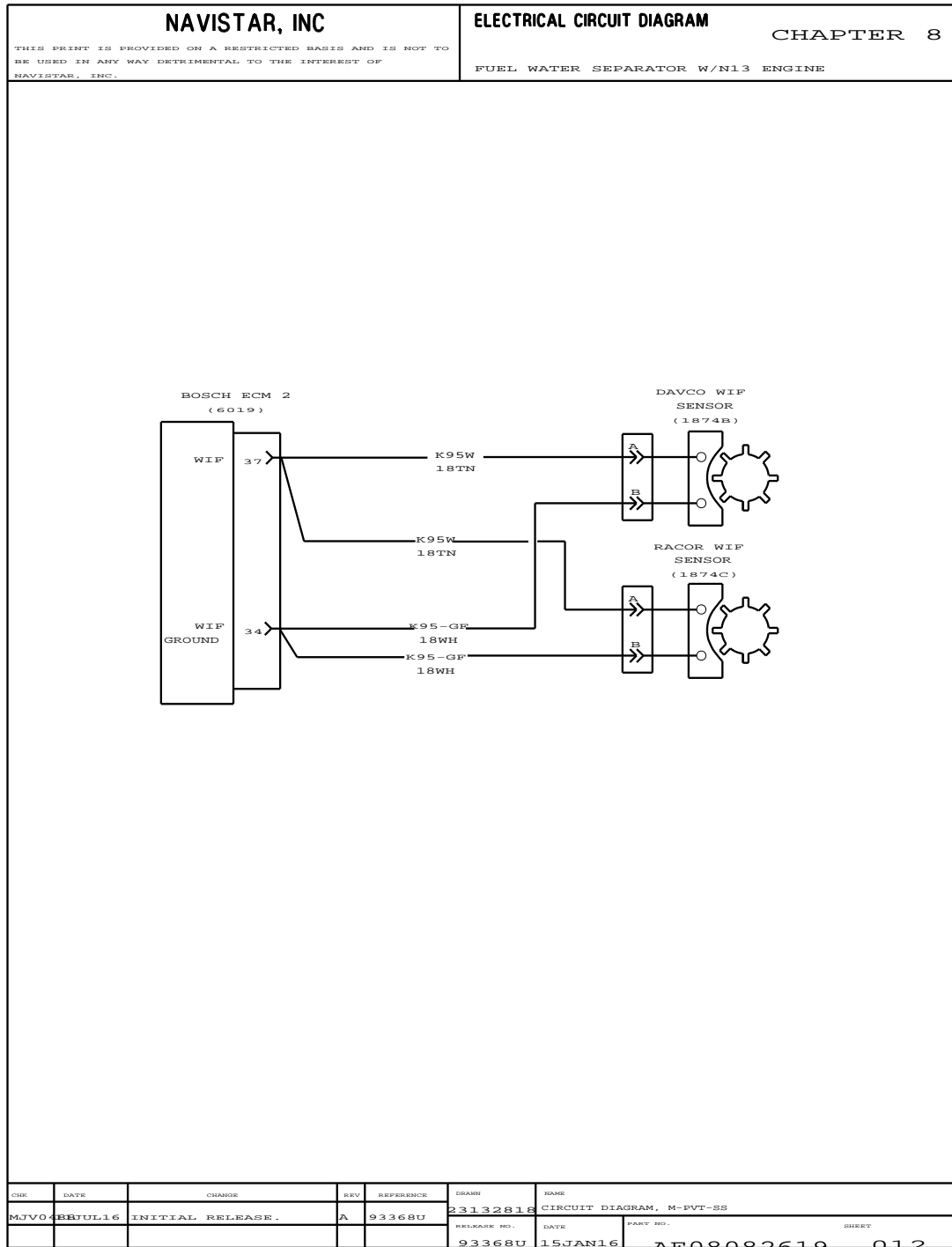


Figure 193 Fuel Water Separator with N13 Engine

8.13. TWO SPEED AXLE, P. 13

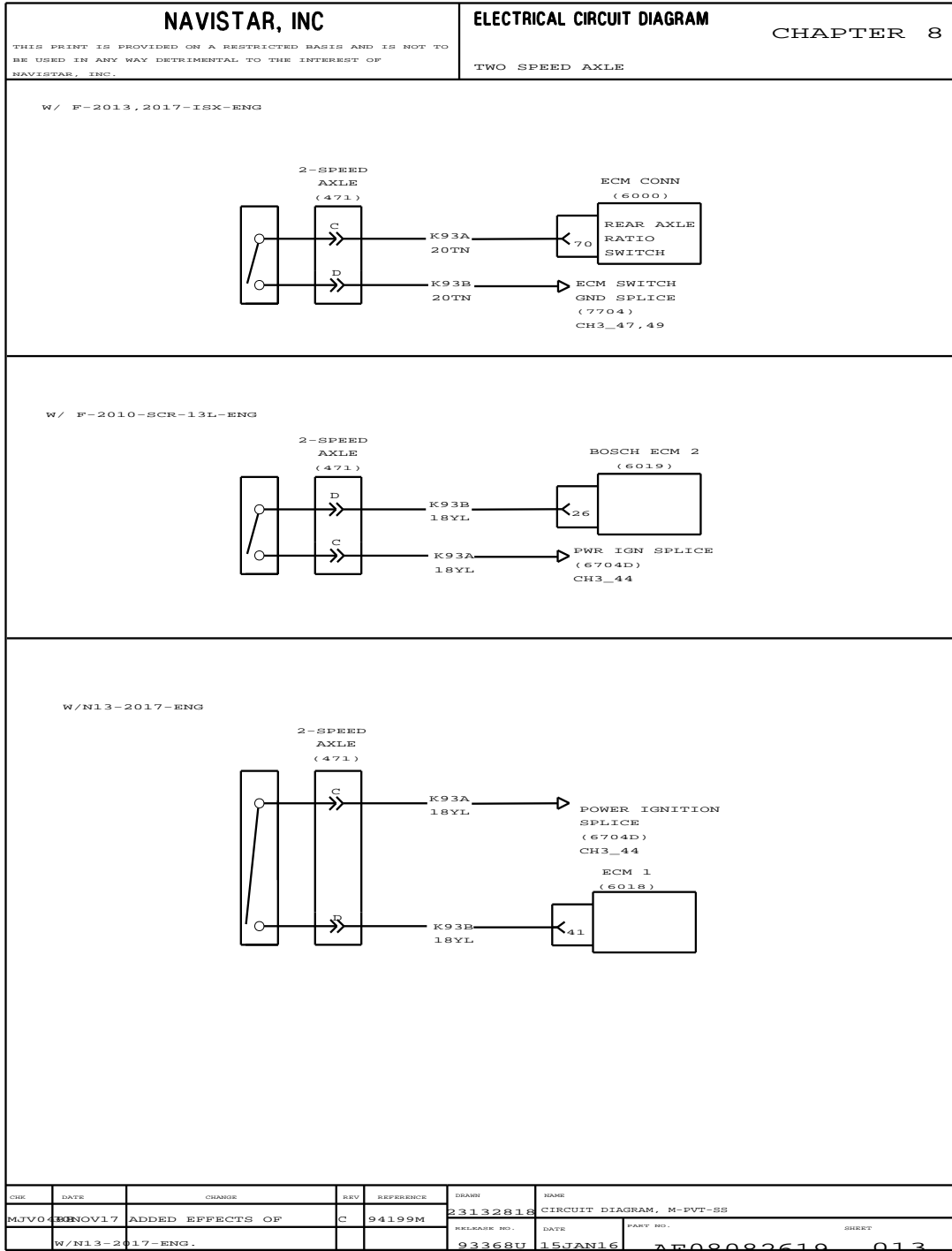


Figure 194 Two Speed Axle

8.14. TRANSMISSION OIL TEMPERATURE & ADVANTAGE TRANSMISSION N13 2017 ENGINE, P. 14

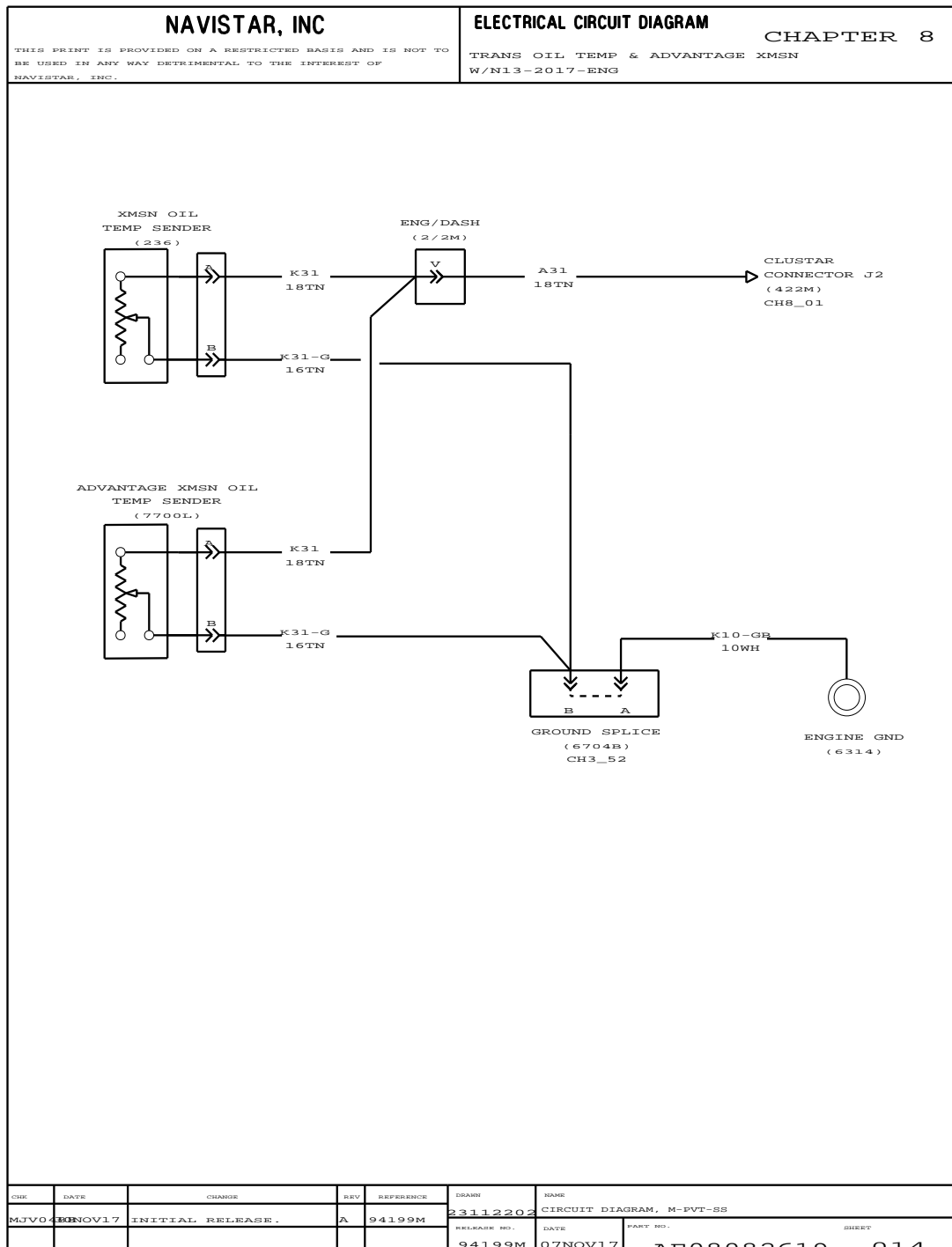


Figure 195 Transmission Oil Temperature & Advantage Transmission N13 2017 Engine

8.15. FUEL / WATER SEPARATOR DAVCO & RACOR N13 2017 ENGINE, P. 15

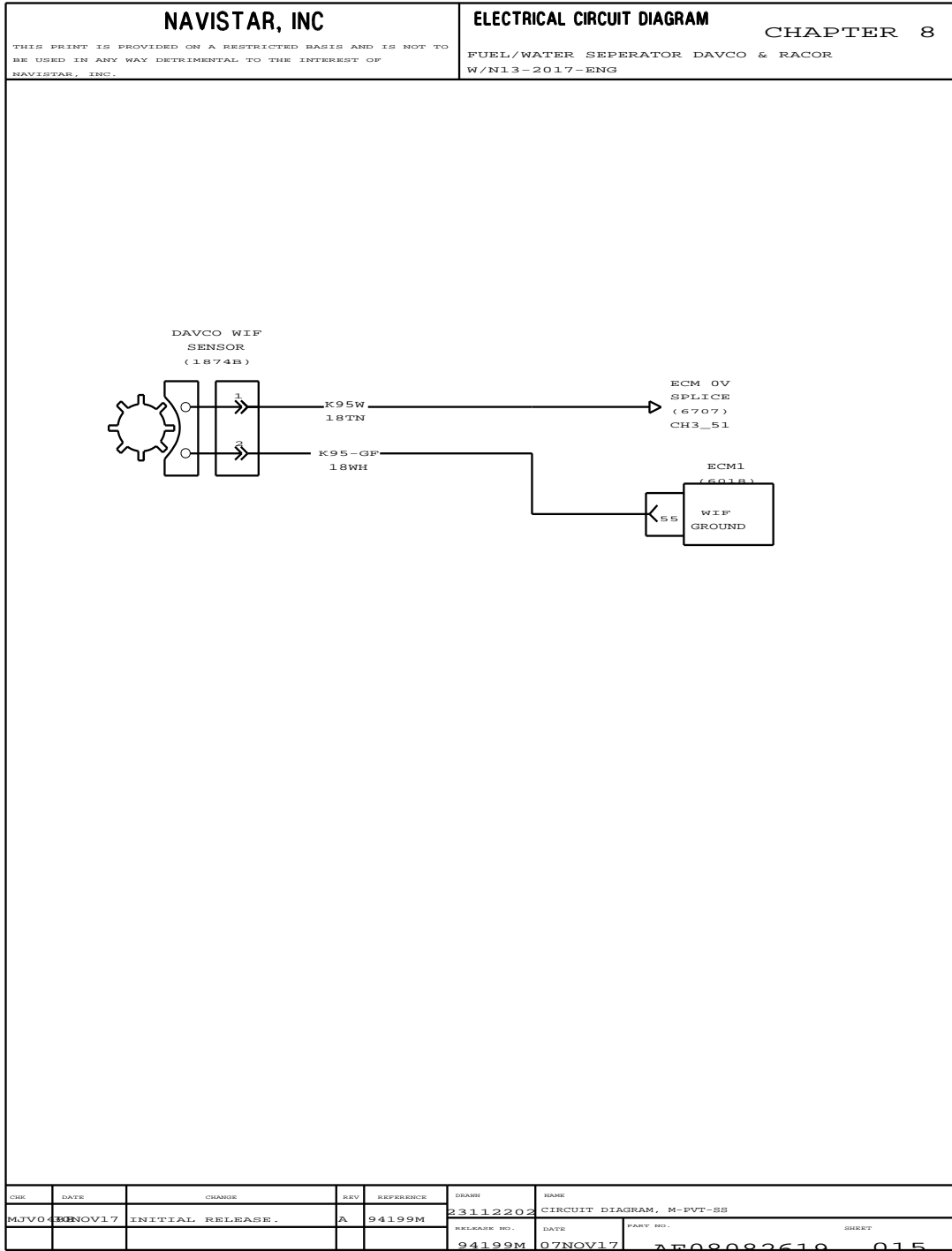


Figure 196 Fuel / Water Separator DAVCO & RACOR N13 2017 Engine

LIGHTING SYSTEM (CHAPTER 9)

9.1. BACKUP LIGHT WITH ALLISON AND ULTRASHIFT TRANSMISSION WITH ISX 2013, 2017 ENGINE OR N13 2017 ENGINE, P. 1

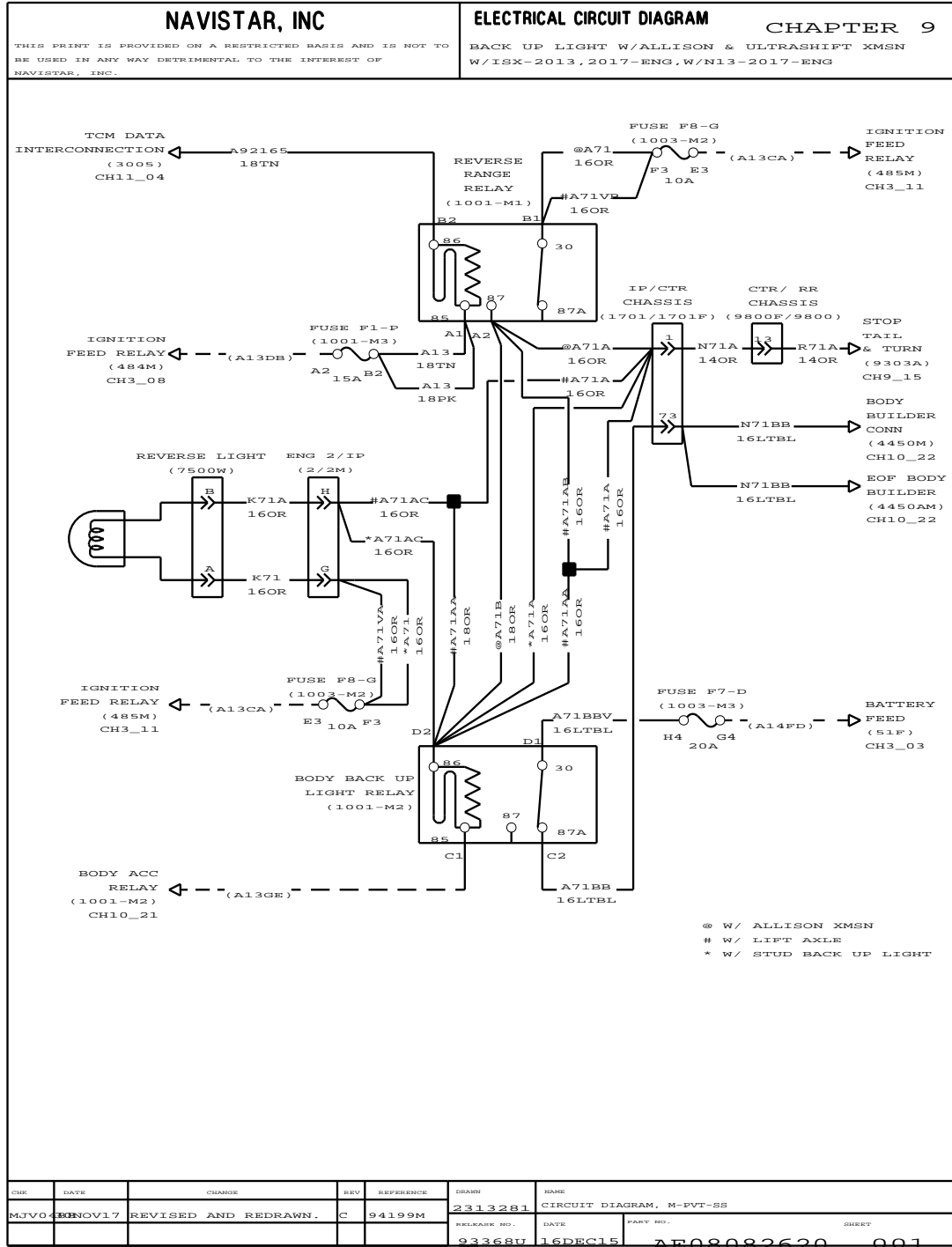


Figure 197 Backup Light with Allison and Ultrashift Transmission with ISX 2013, 2017 Engine or N13 2017

9.2. HEADLIGHT, AUXILIARY LIGHT, AND PANEL LIGHT SWITCH, P. 2

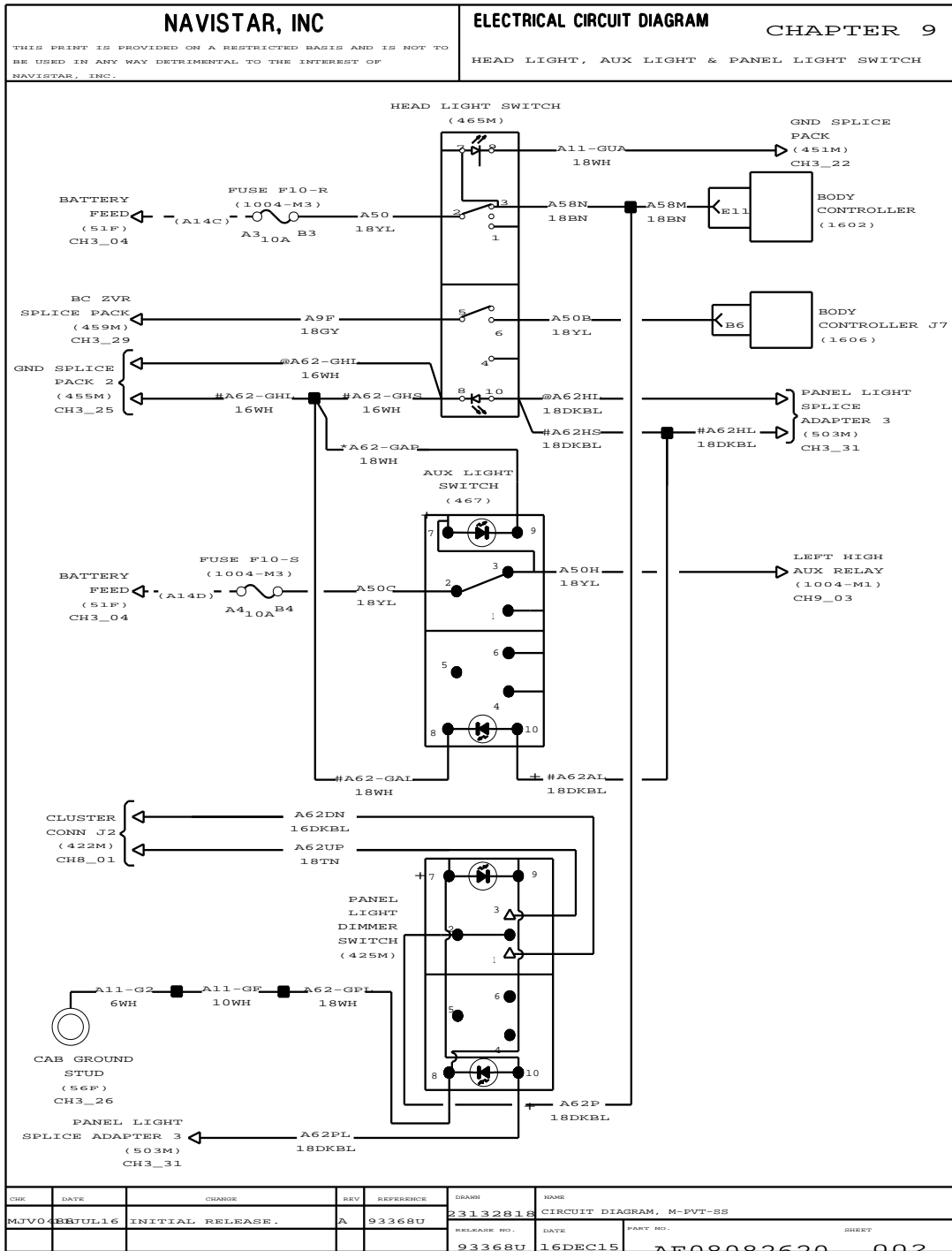


Figure 198 Headlight, Auxiliary Light, and Panel Light Switch

9.3. HEADLIGHT WIRING WITH AUXILIARY LIGHTS, P. 3

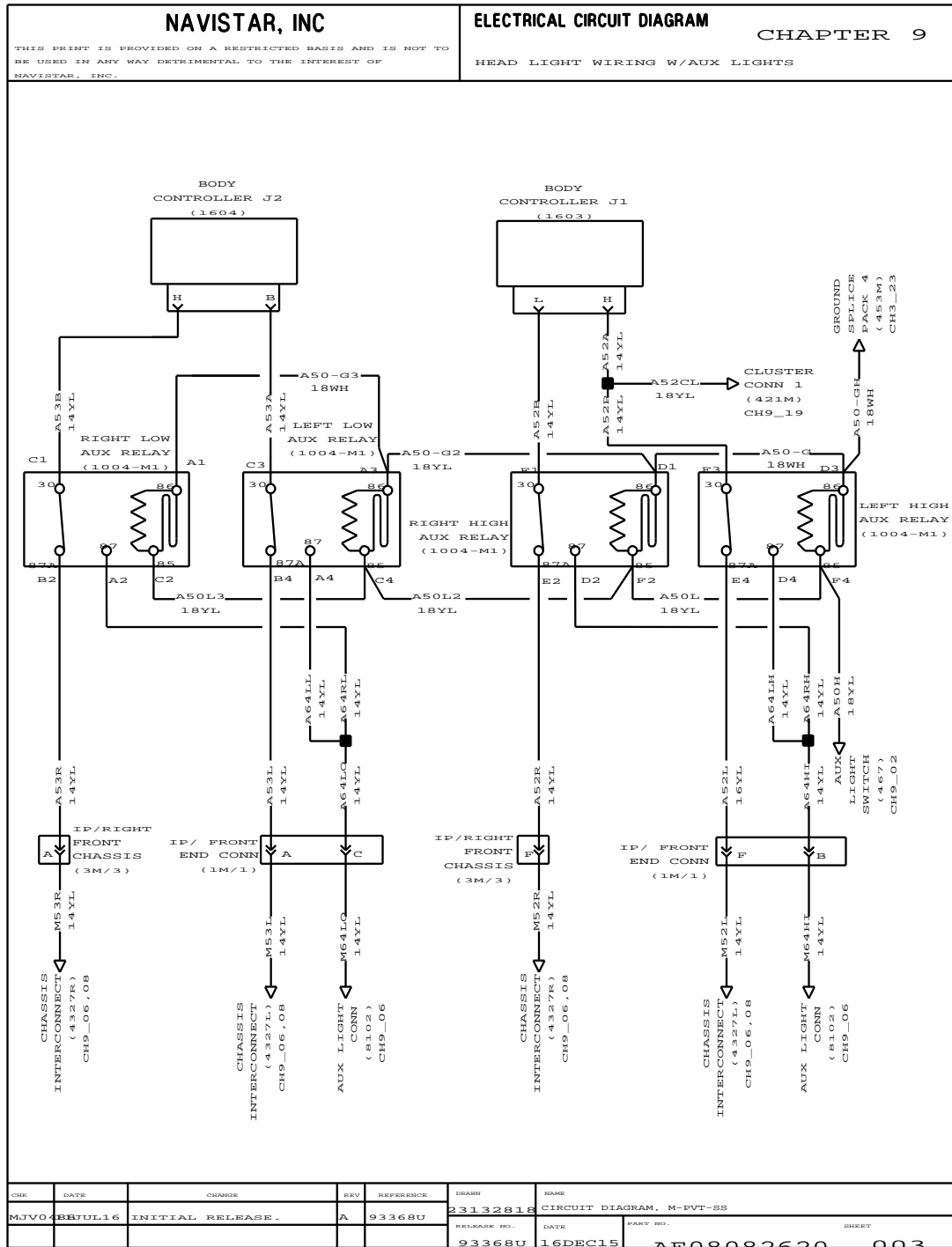


Figure 199 Headlight Wiring with Auxiliary Lights

9.4. HEADLIGHT WIRING WITHOUT AUXILIARY LIGHTS, P. 4

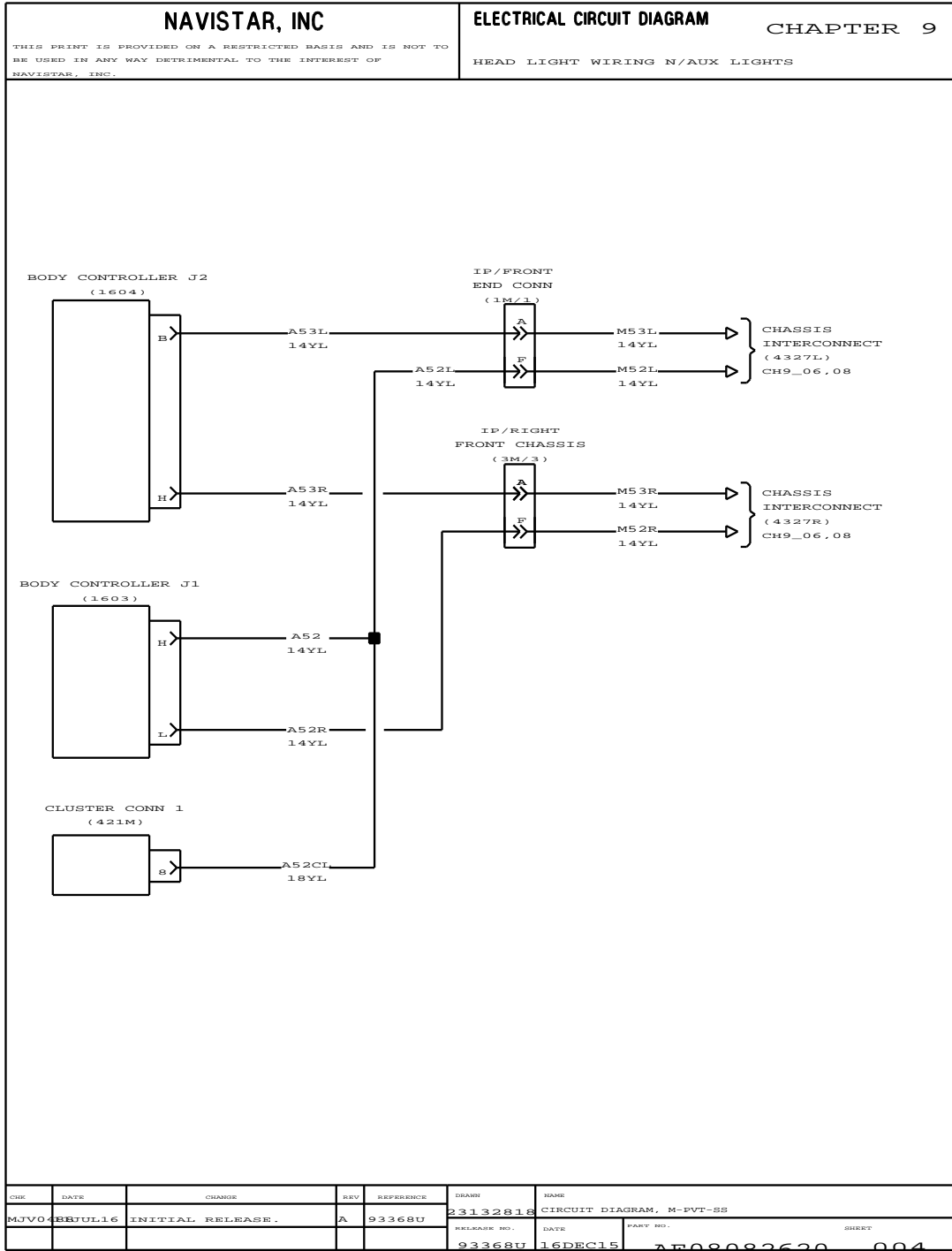


Figure 200 Headlight Wiring without Auxiliary Lights

9.5. HEADLIGHT WIRING WITH SET BACK AXLE, P. 5

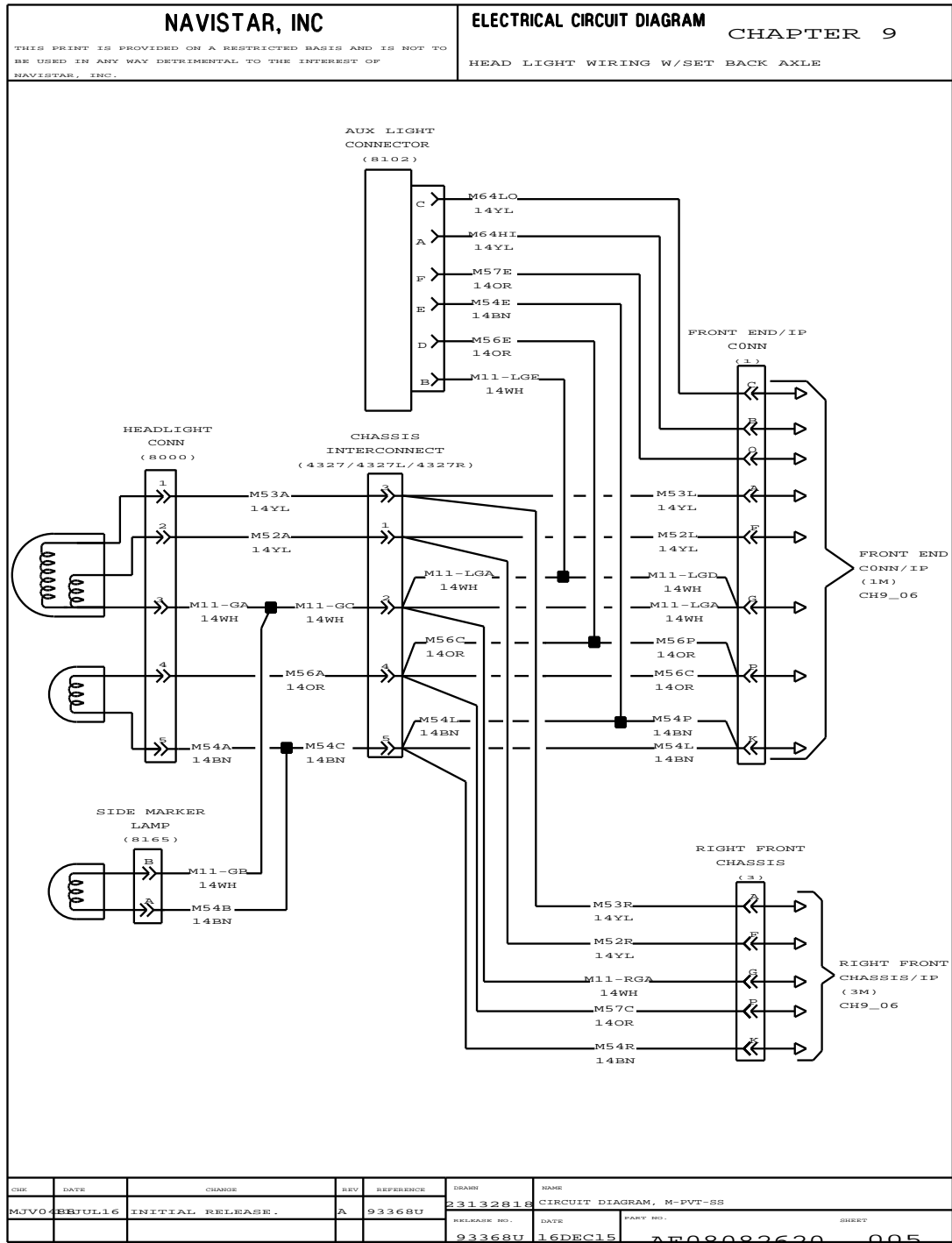


Figure 201 Headlight Wiring with Set Back Axle

9.6. HEADLIGHT WIRING WITH SET BACK AXLE (CONT.), P. 6

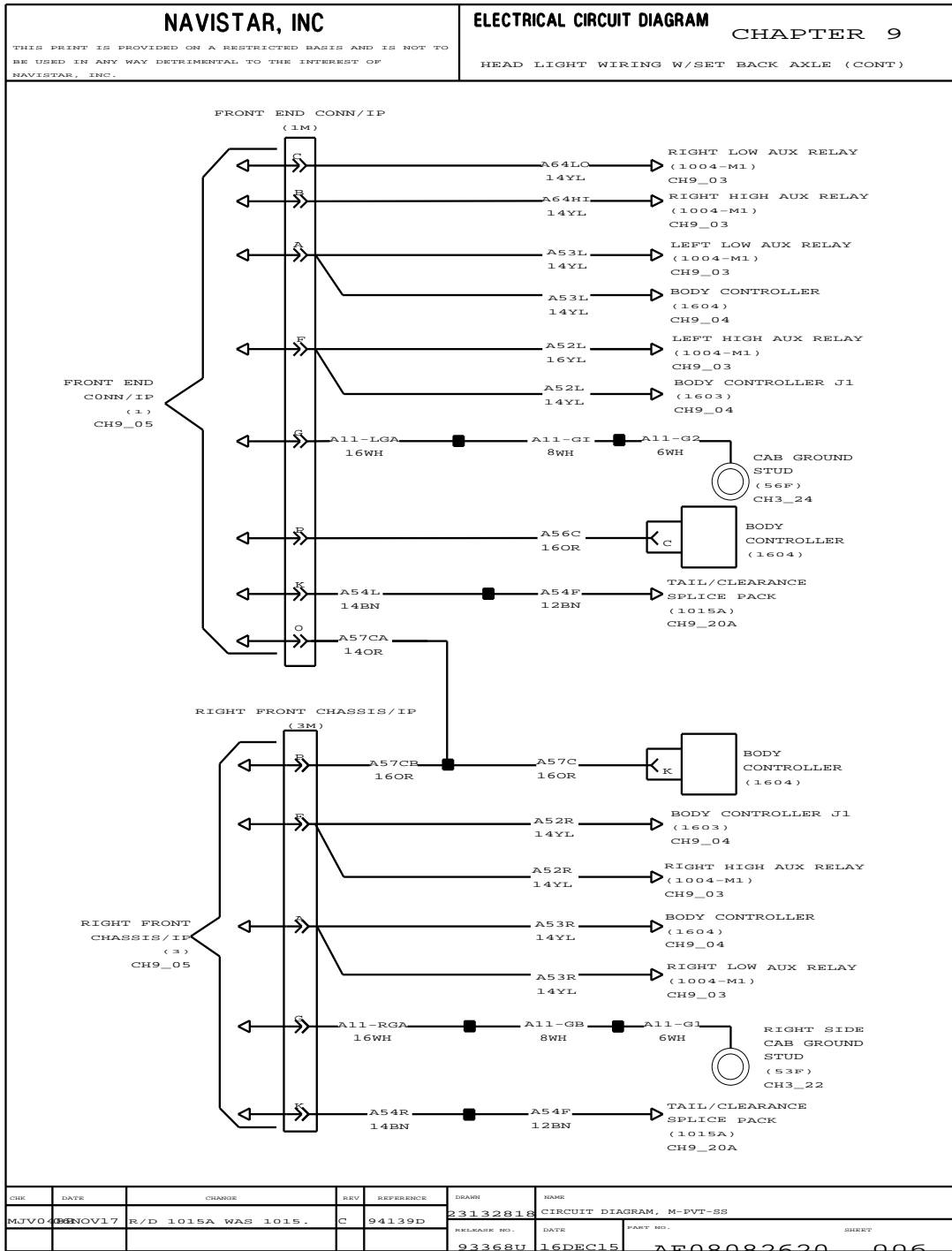


Figure 202 Headlight Wiring with Set Back Axle (Cont.)

9.7. HEADLIGHT WIRING WITH SET FRONT AXLE, P. 7

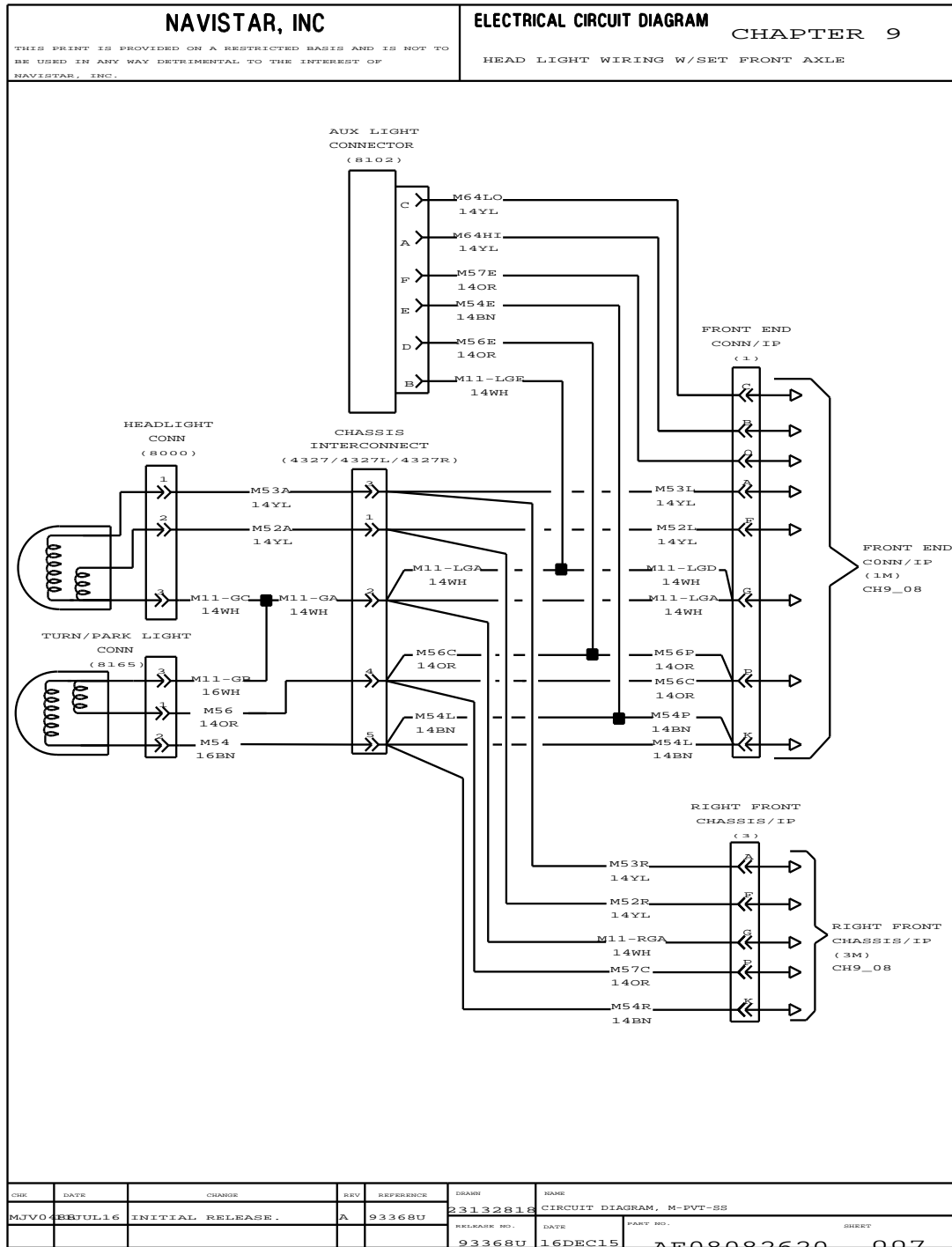


Figure 203 Headlight Wiring with Set Front Axle

9.8. HEADLIGHT WIRING WITH SET FRONT AXLE (CONT.), P. 8

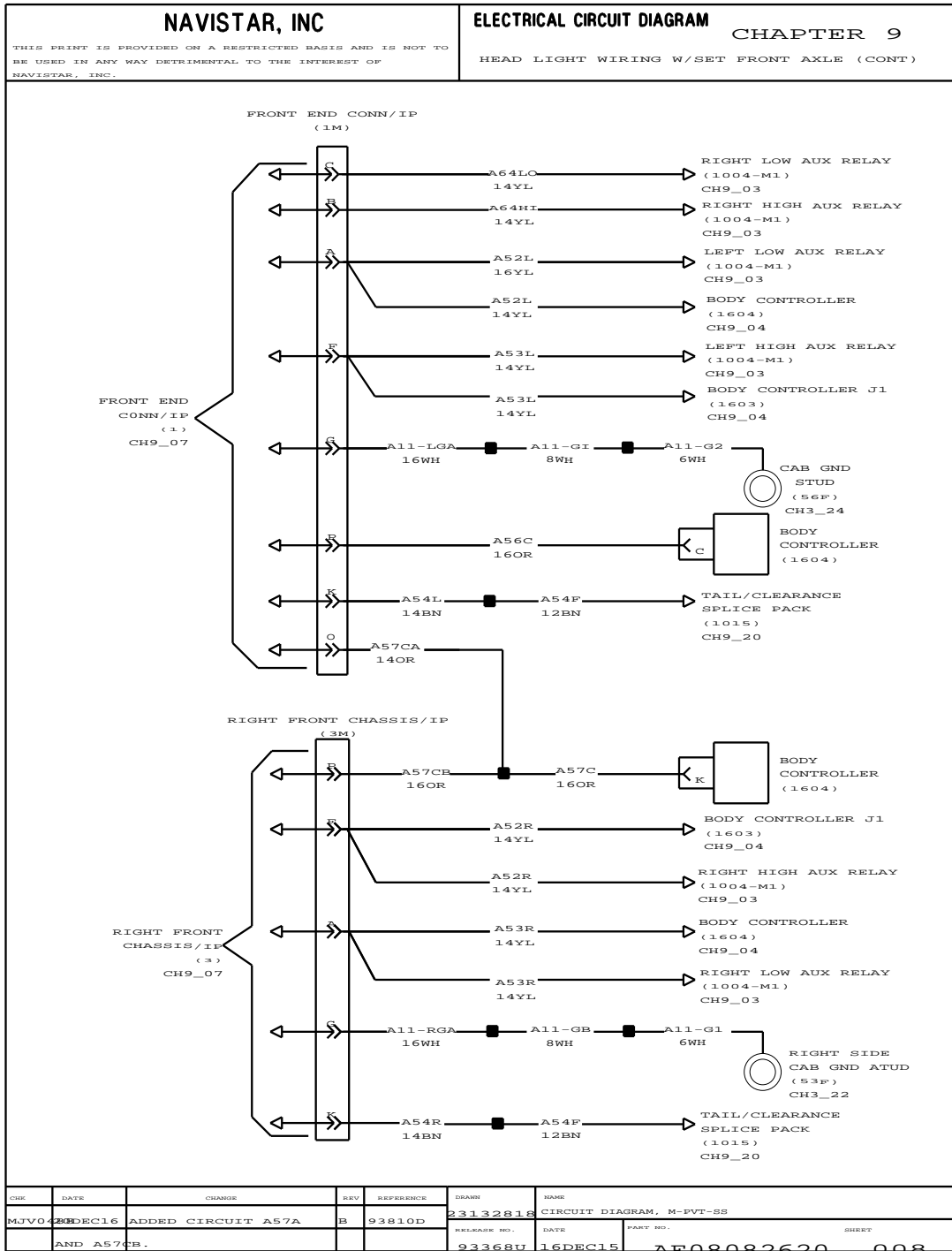


Figure 204 Headlight Wiring with Set Front Axle (Cont.)

9.9. FOG LIGHTS, P. 9

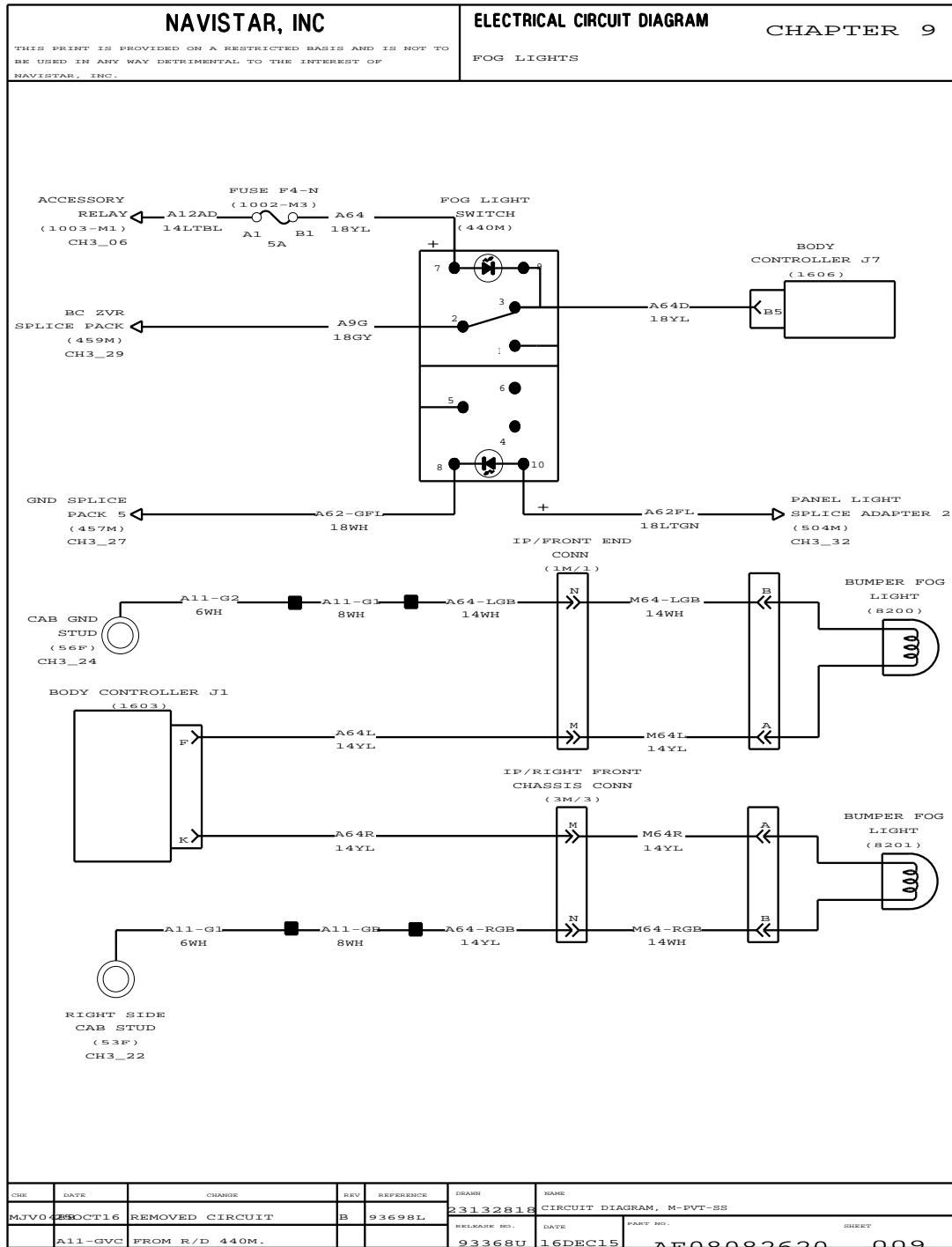


Figure 205 Fog Lights

9.10. COURTESY LIGHTS, P. 10

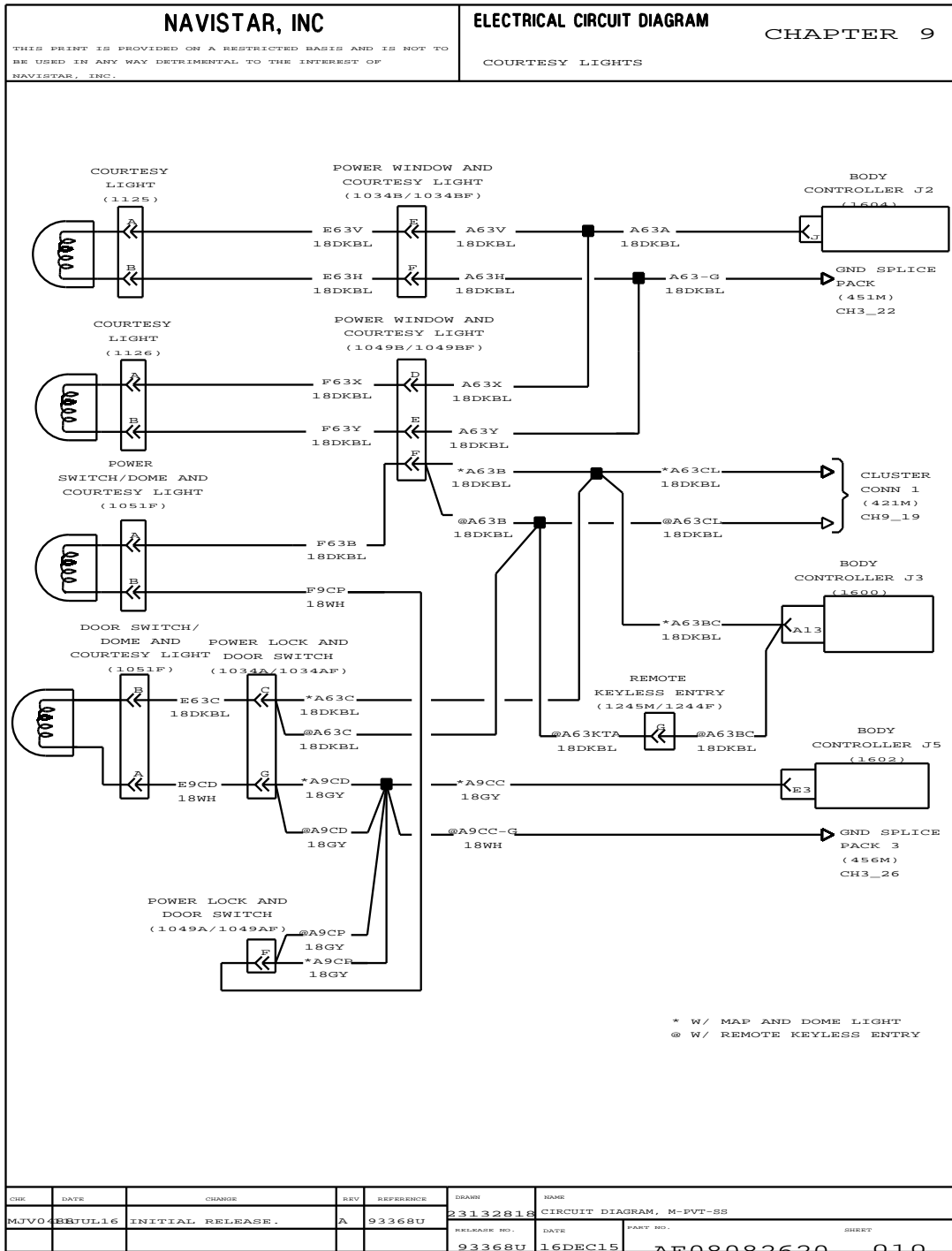


Figure 206 Courtesy Lights

9.11. DAY CAB WORK LIGHTS, P. 11

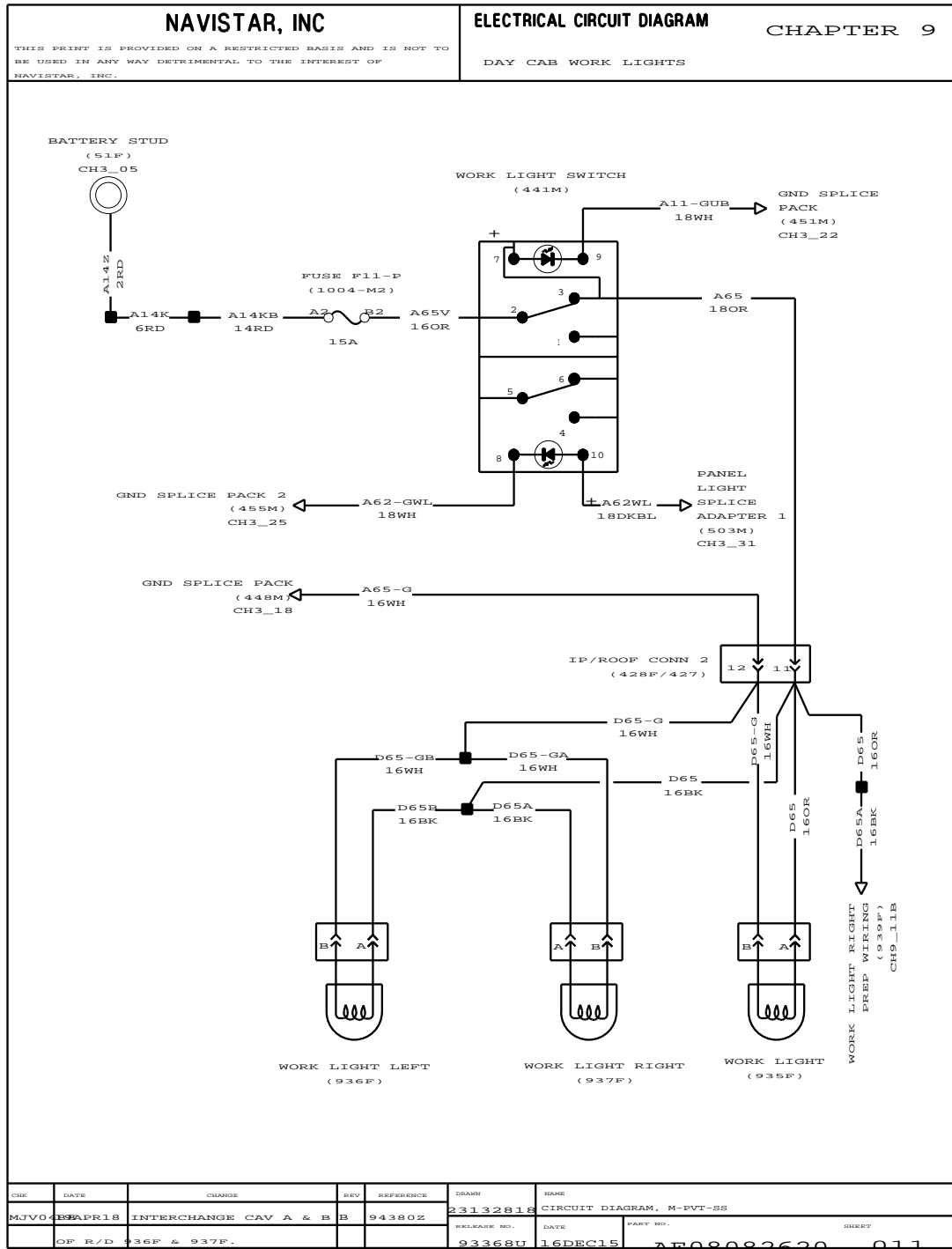


Figure 207 Day Cab Work Lights

9.12. SLEEPER BOX WITH WORK LIGHTS, P. 11A

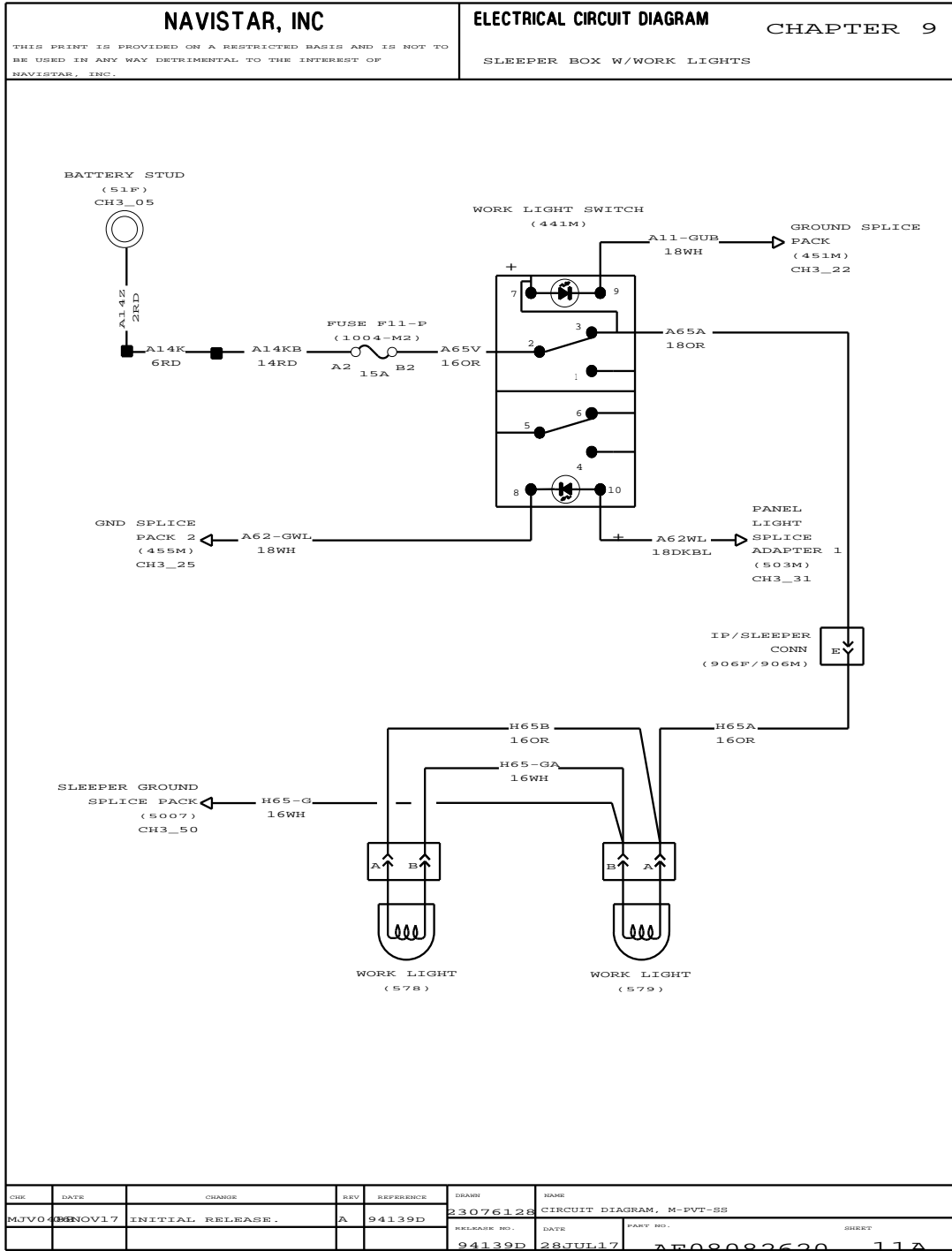


Figure 208 Sleeper Box with Work Lights

9.13. CARGO LIGHTS AND WORK LIGHTS, P. 11B

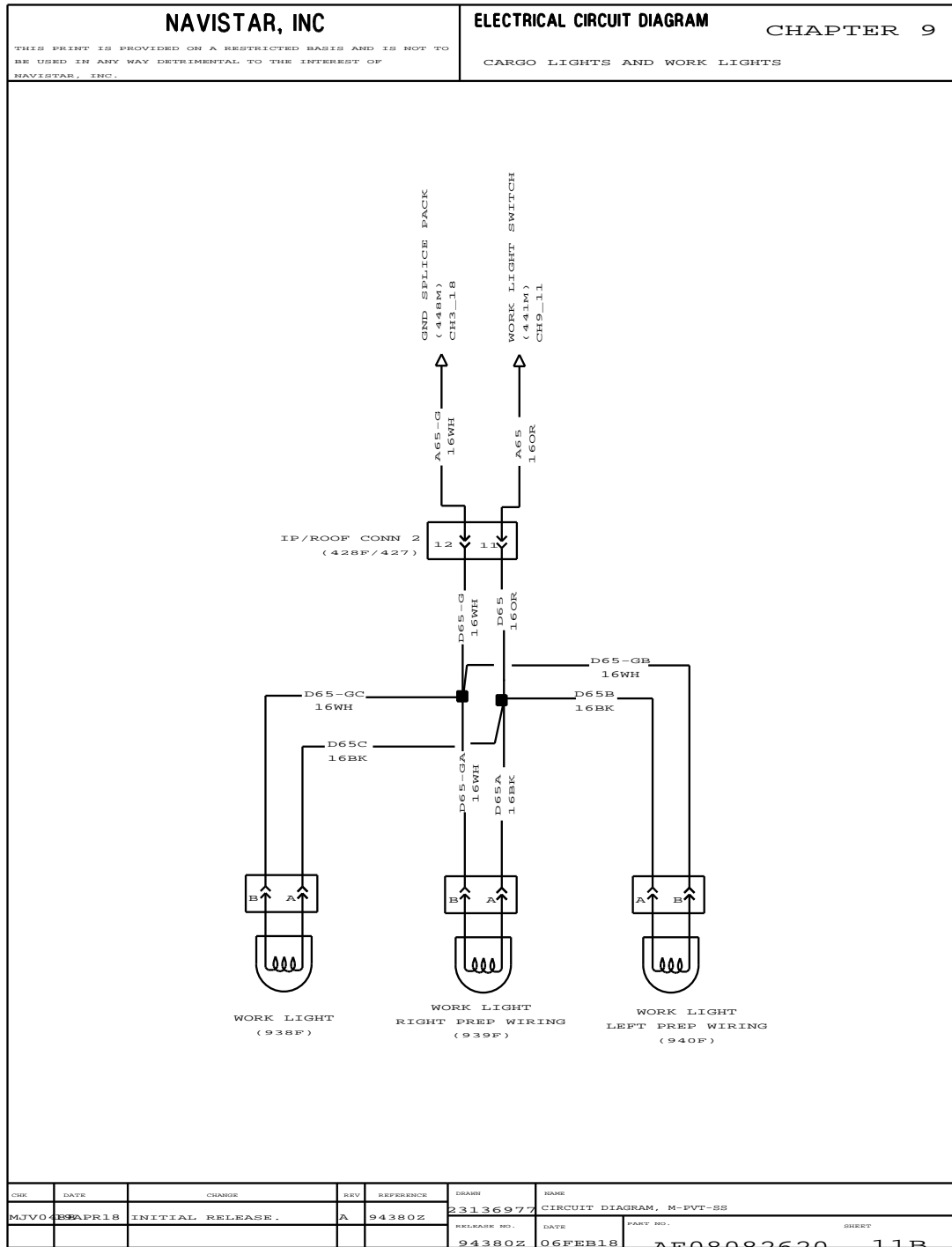


Figure 209 Sleeper Box with Work Lights

9.14. MODESTY LIGHTS AND SUNSHADE CLEARANCE LIGHTS, P. 12

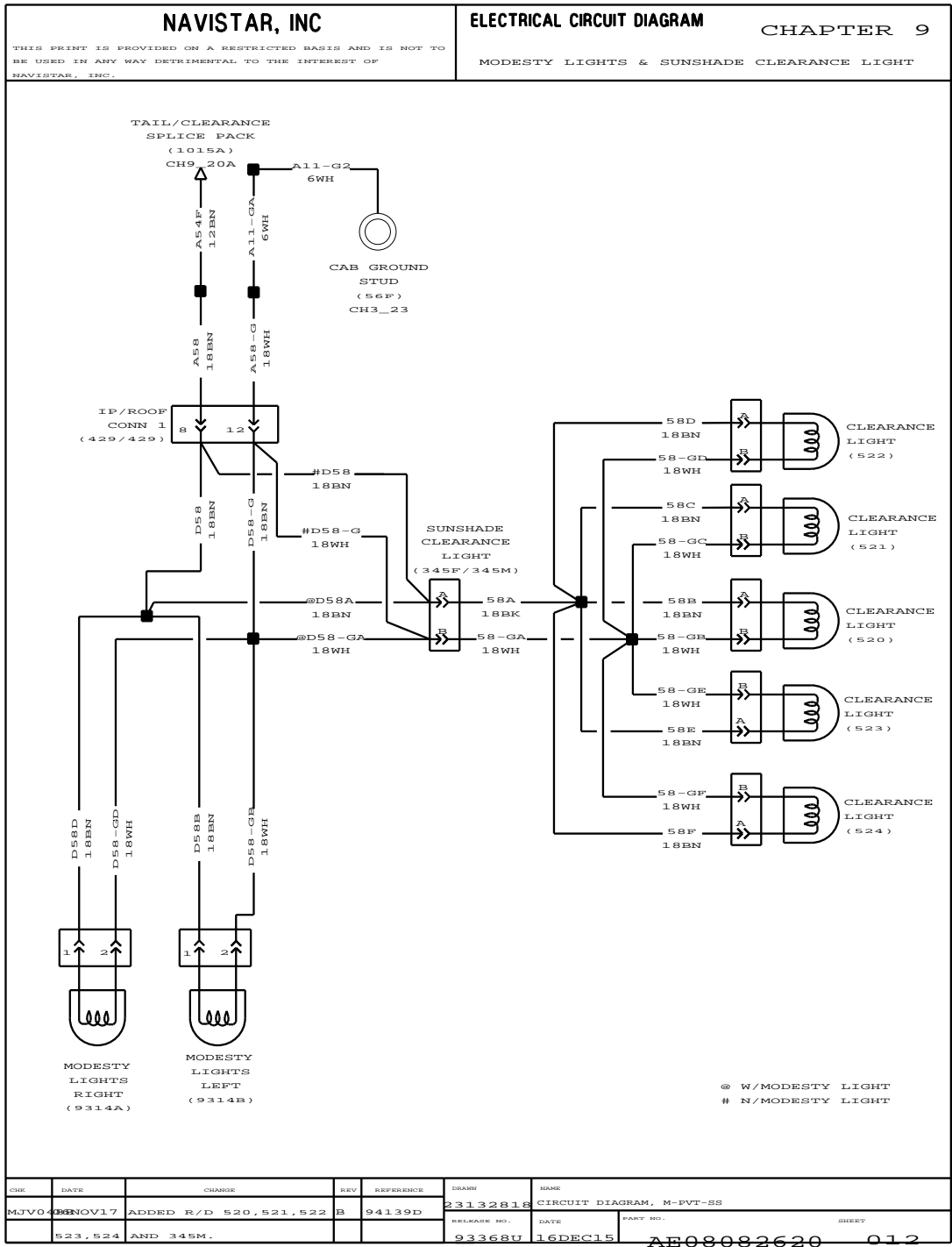


Figure 210 Modesty Lights and Sunshade Clearance Lights

9.15. BEACON LIGHTS, P. 13

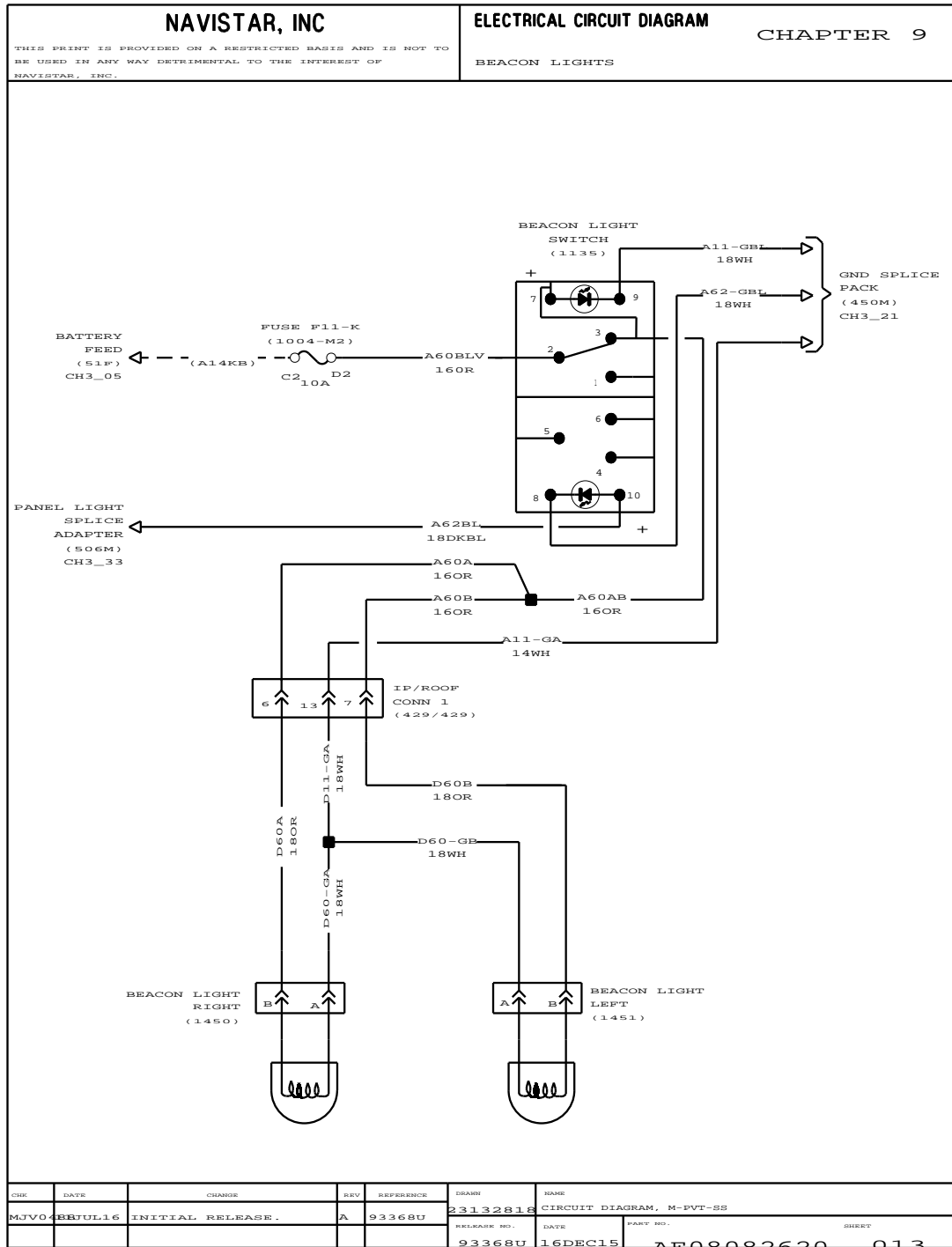


Figure 211 Beacon Lights

9.16. DOME LIGHTS, P. 14

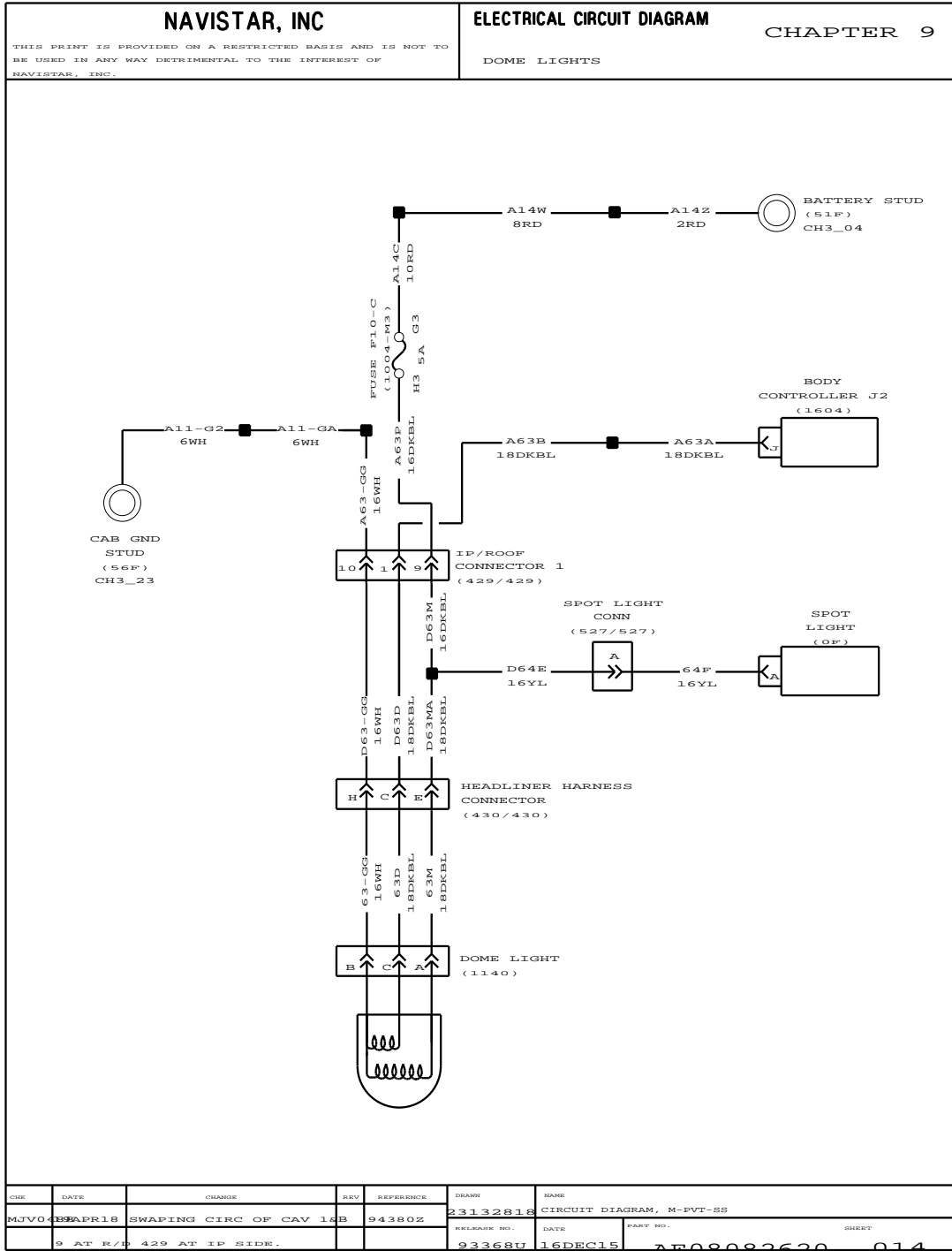


Figure 212 Dome Lights

9.17. TAIL, TURN, AND STOP LIGHTS, P. 15

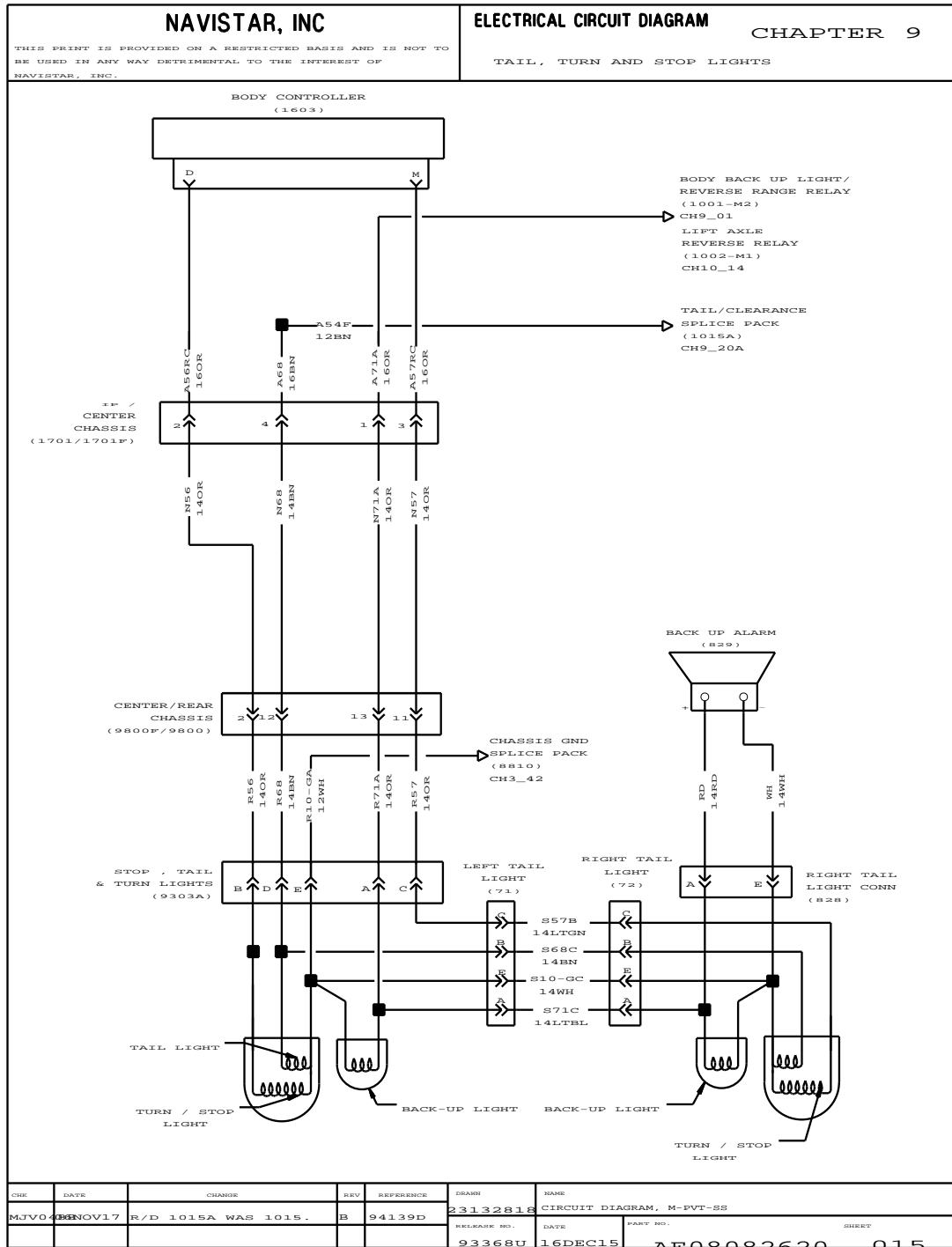


Figure 213 Tail, Turn, and Stop Lights

9.18. TURN LIGHTS, P. 16

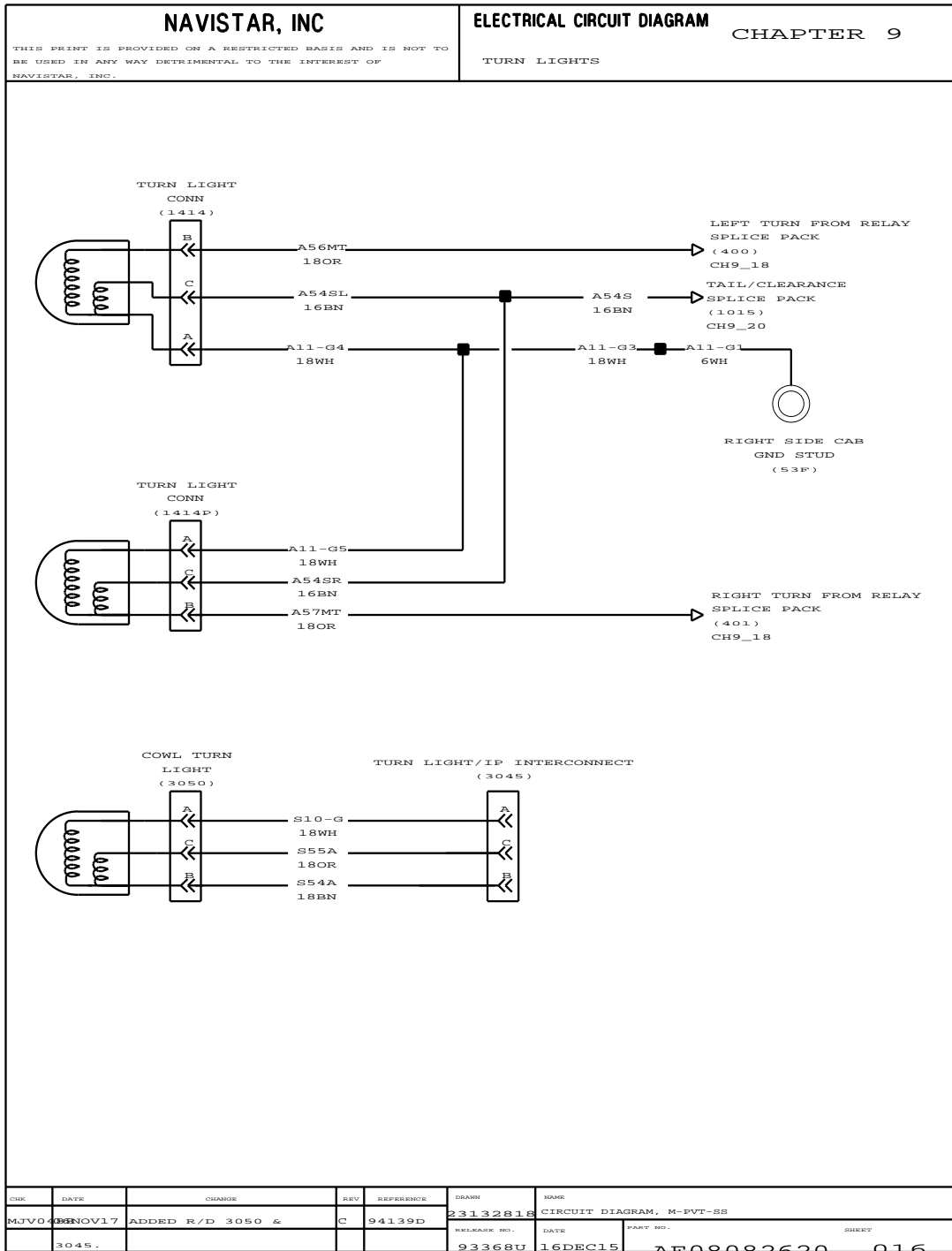


Figure 214 Turn Lights

9.19. TURN SIGNAL WIRING AND HAZARD LIGHT SWITCH, P. 17

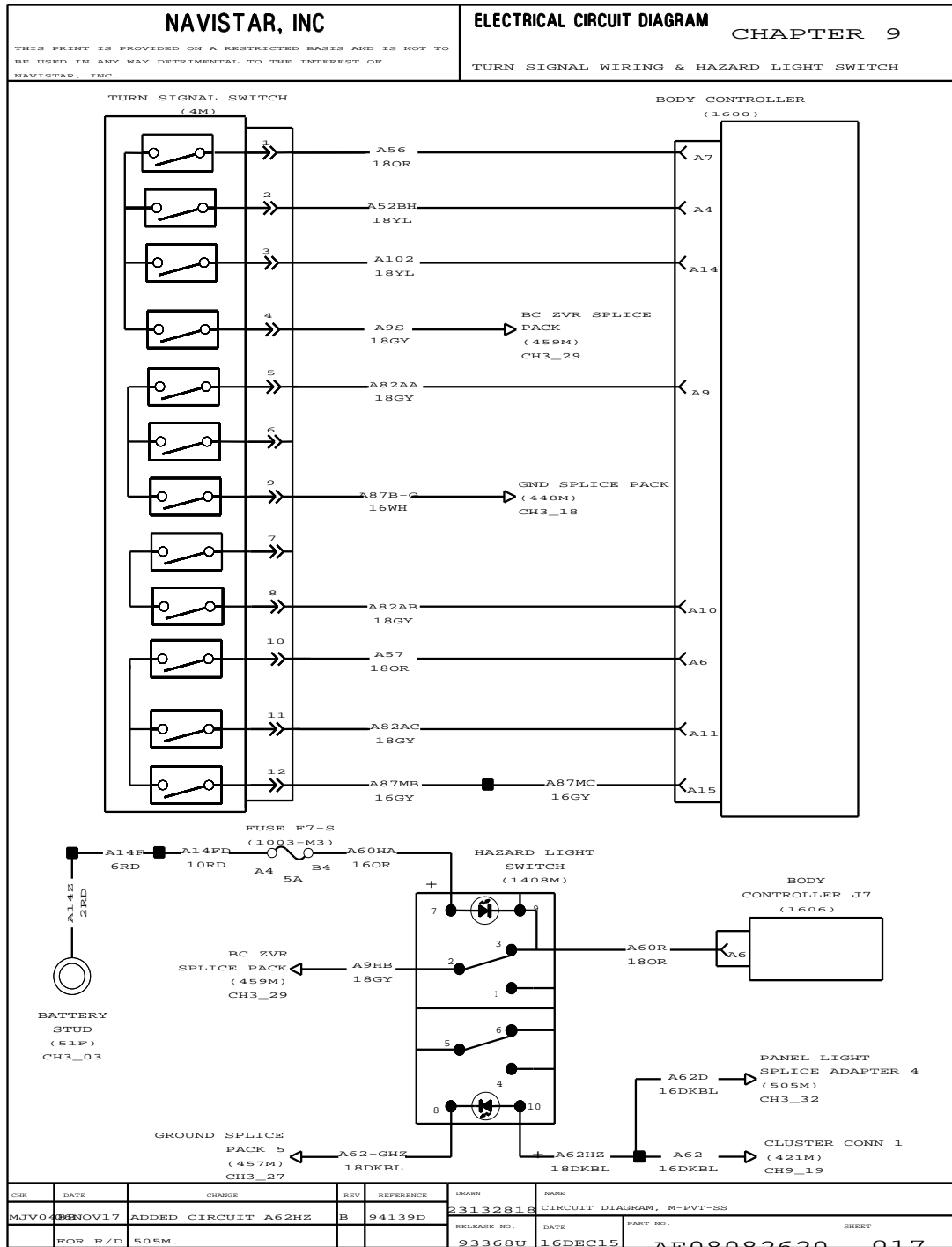


Figure 215 Turn Signal Wiring and Hazard Light Switch

9.20. LEFT AND RIGHT TURN RELAY SPLICE PACK, P. 18

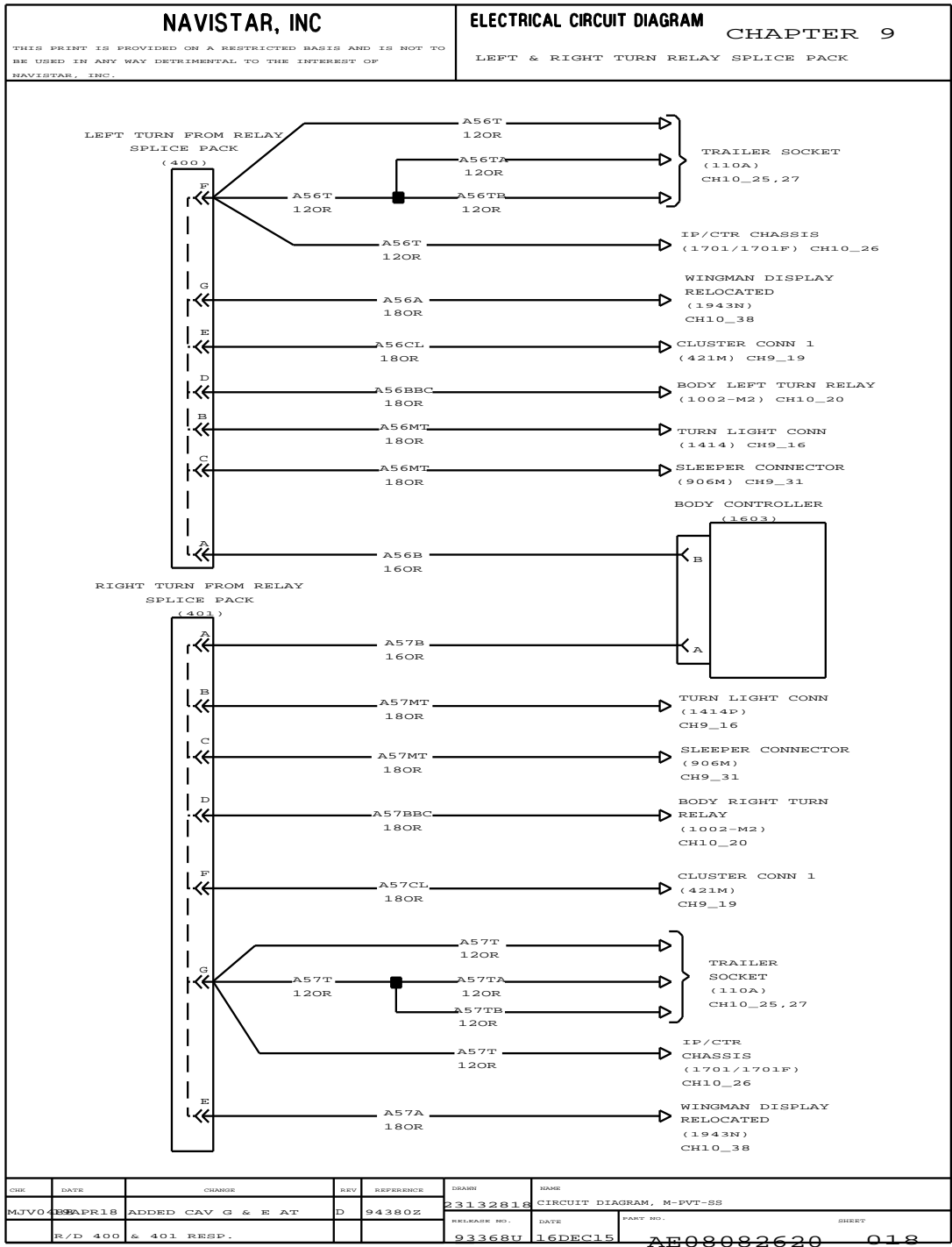


Figure 216 Left and Right Turn Relay Splice Pack

9.21. LIGHTS – CLUSTER CONNECTORS, P. 19

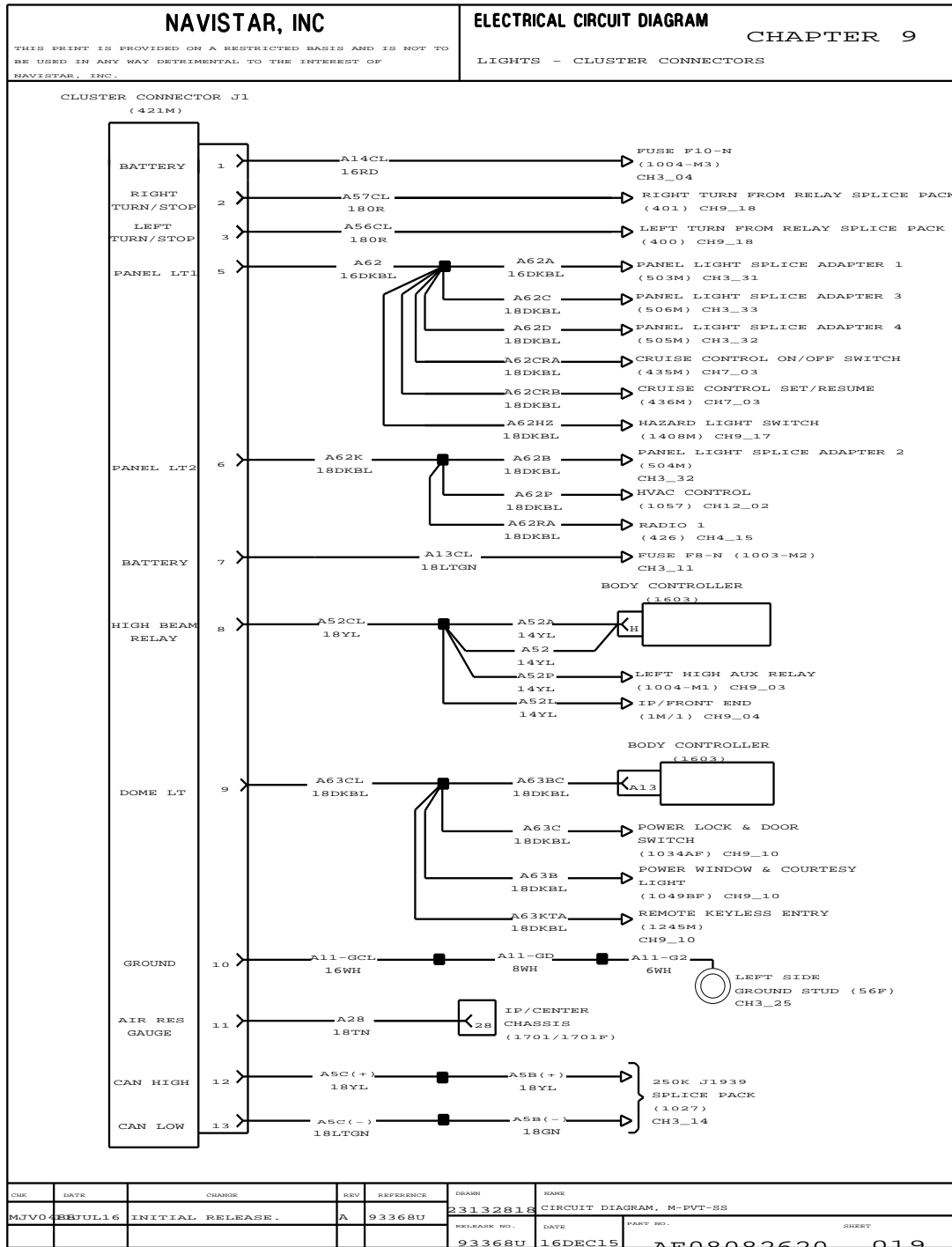


Figure 217 Lights – Cluster Connectors

9.22. TAIL / CLEARANCE SPLICE PACK, P. 20

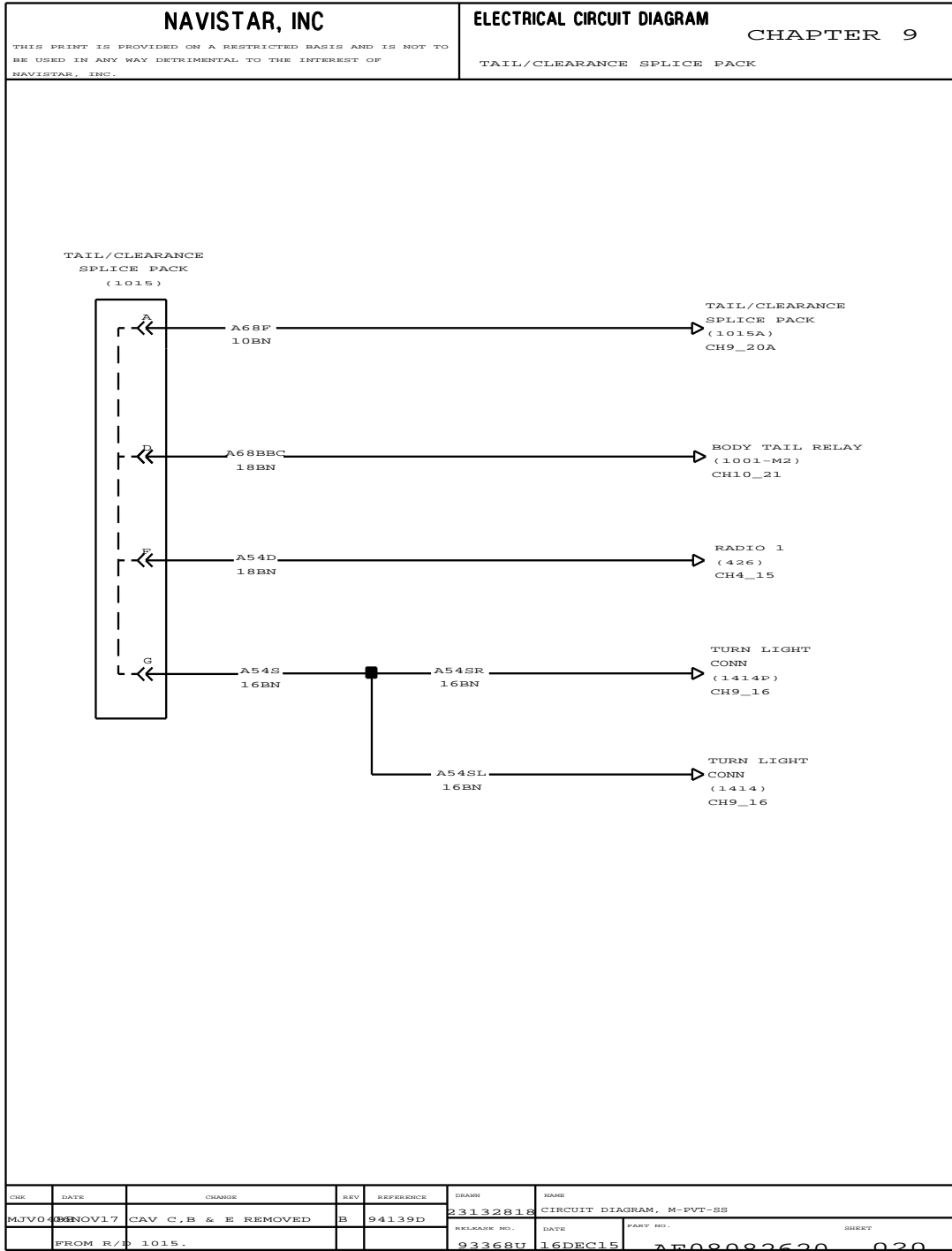


Figure 218 Tail / Clearance Splice Pack

9.23. TAIL / CLEARANCE SPLICE PACK (CONT.), P. 20A

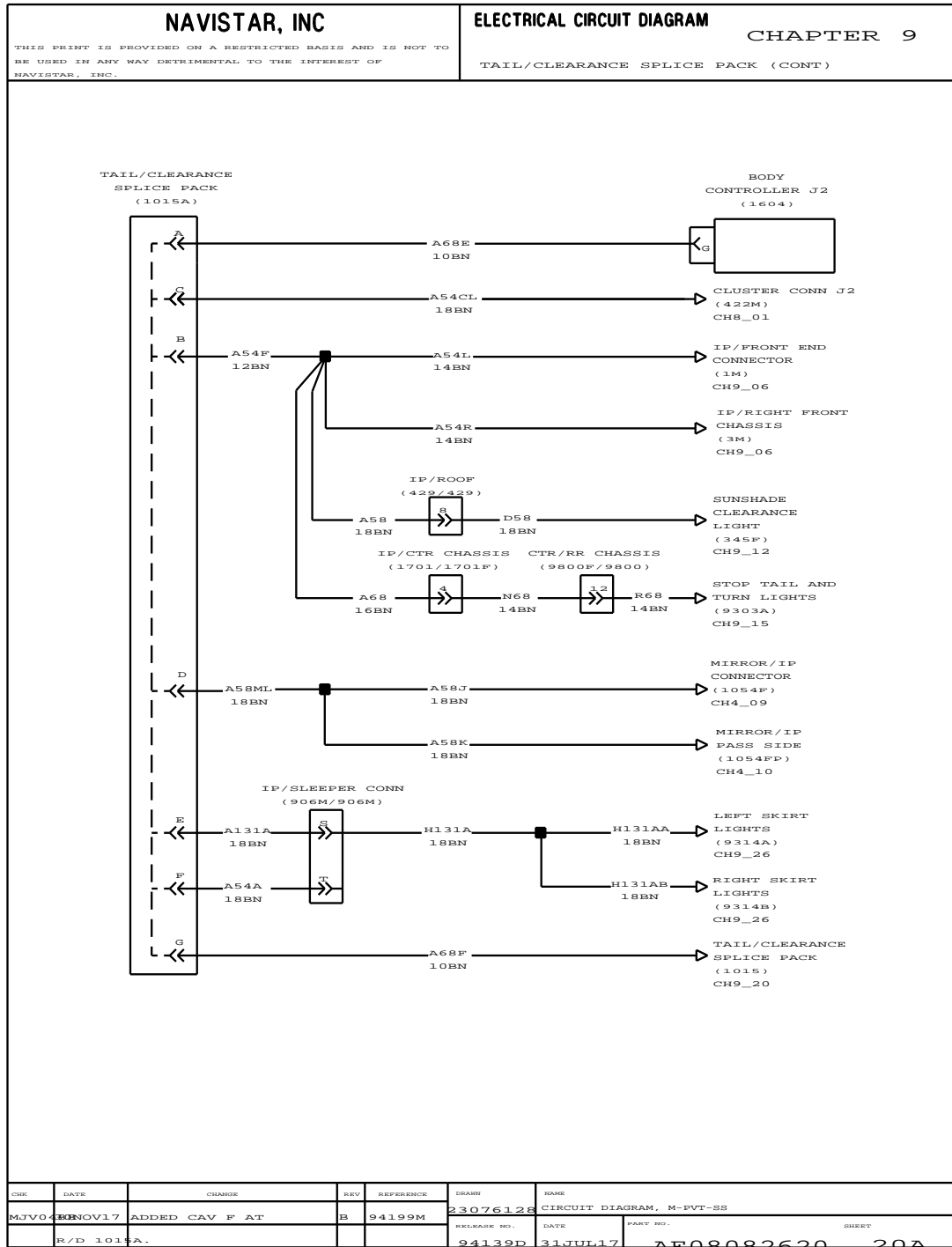


Figure 219 Tail / Clearance Splice Pack (Cont.)

9.24. MARKER INTERRUPT AND EXTERIOR LAMP CHECK SWITCH, P. 21

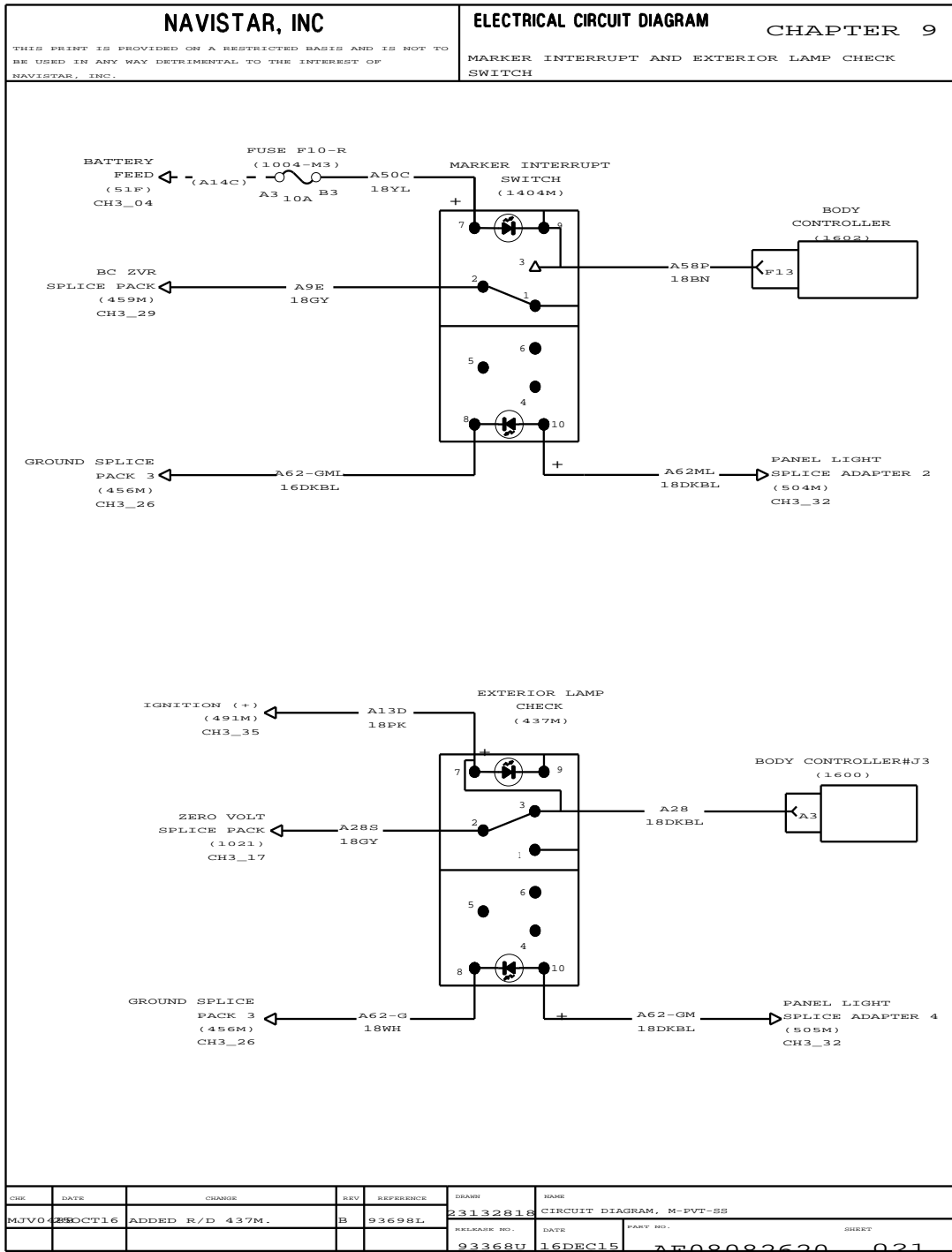


Figure 220 Marker Interrupt and Exterior Lamp Check Switch

9.25. SWITCHED POWER FEED, P. 22

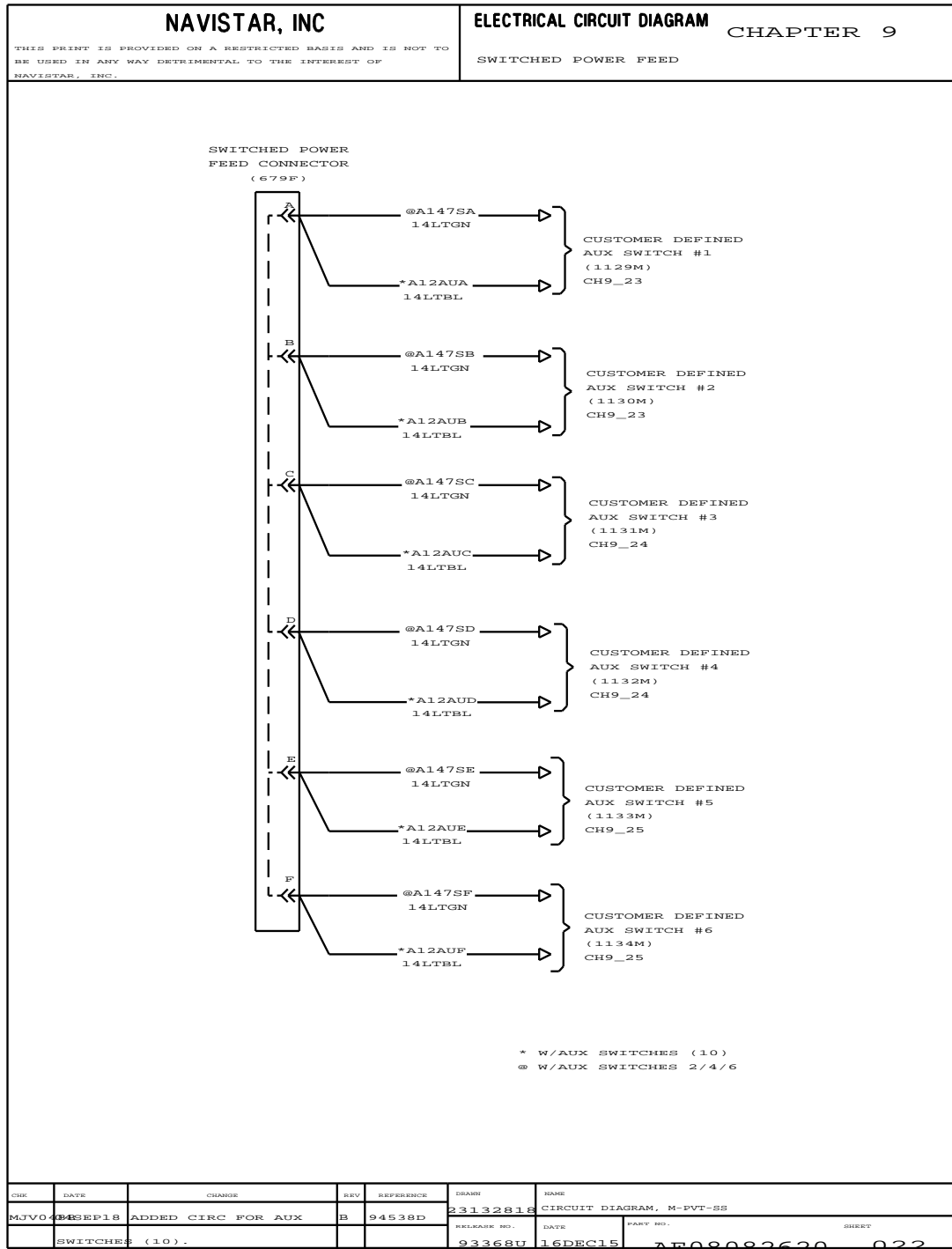


Figure 221 Switched Power Feed

9.26. SWITCHED POWER FEED (CONT.), P. 22A

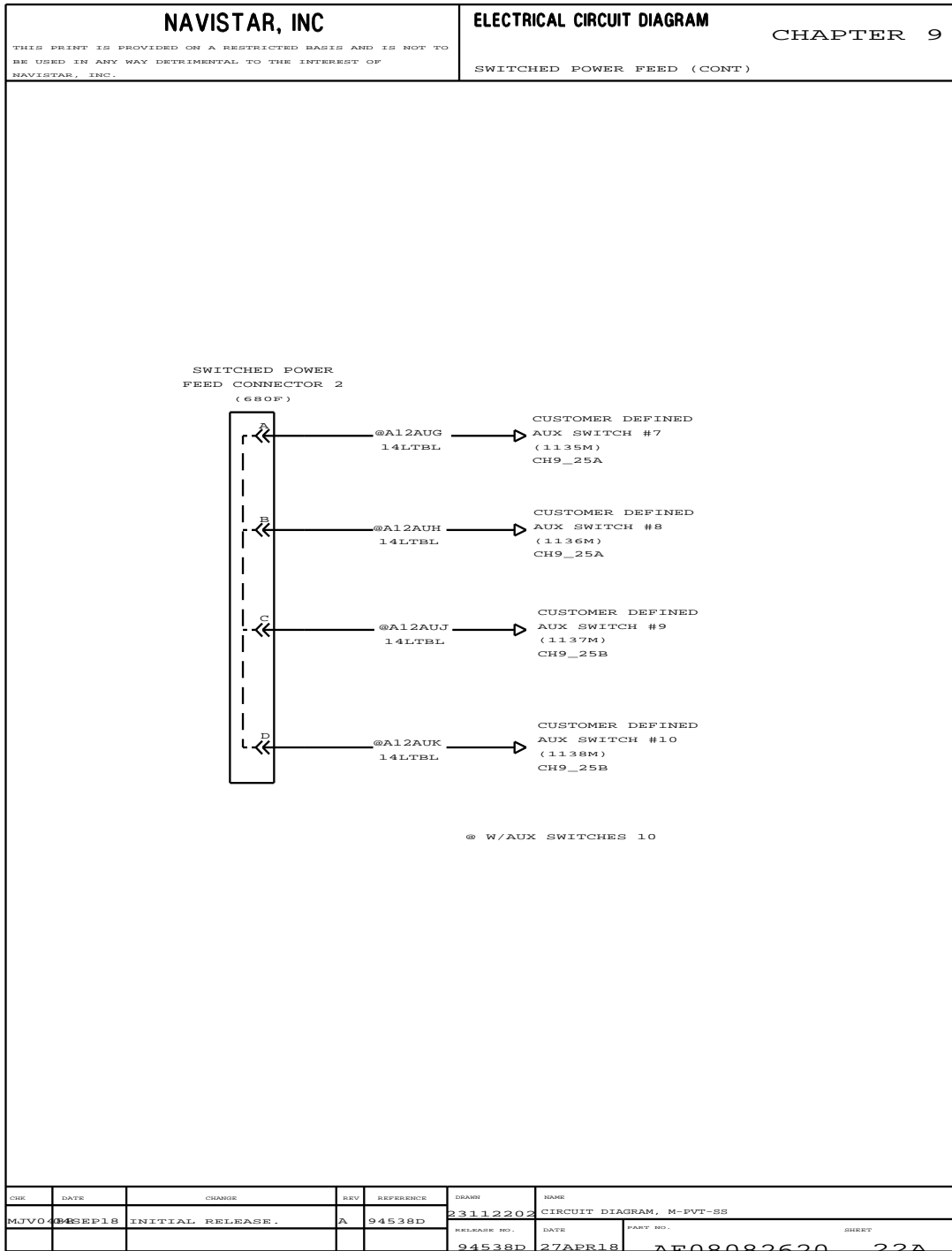


Figure 222 Switched Power Feed (Cont.)

9.27. CUSTOMER DEFINED AUXILIARY SWITCH, P. 23

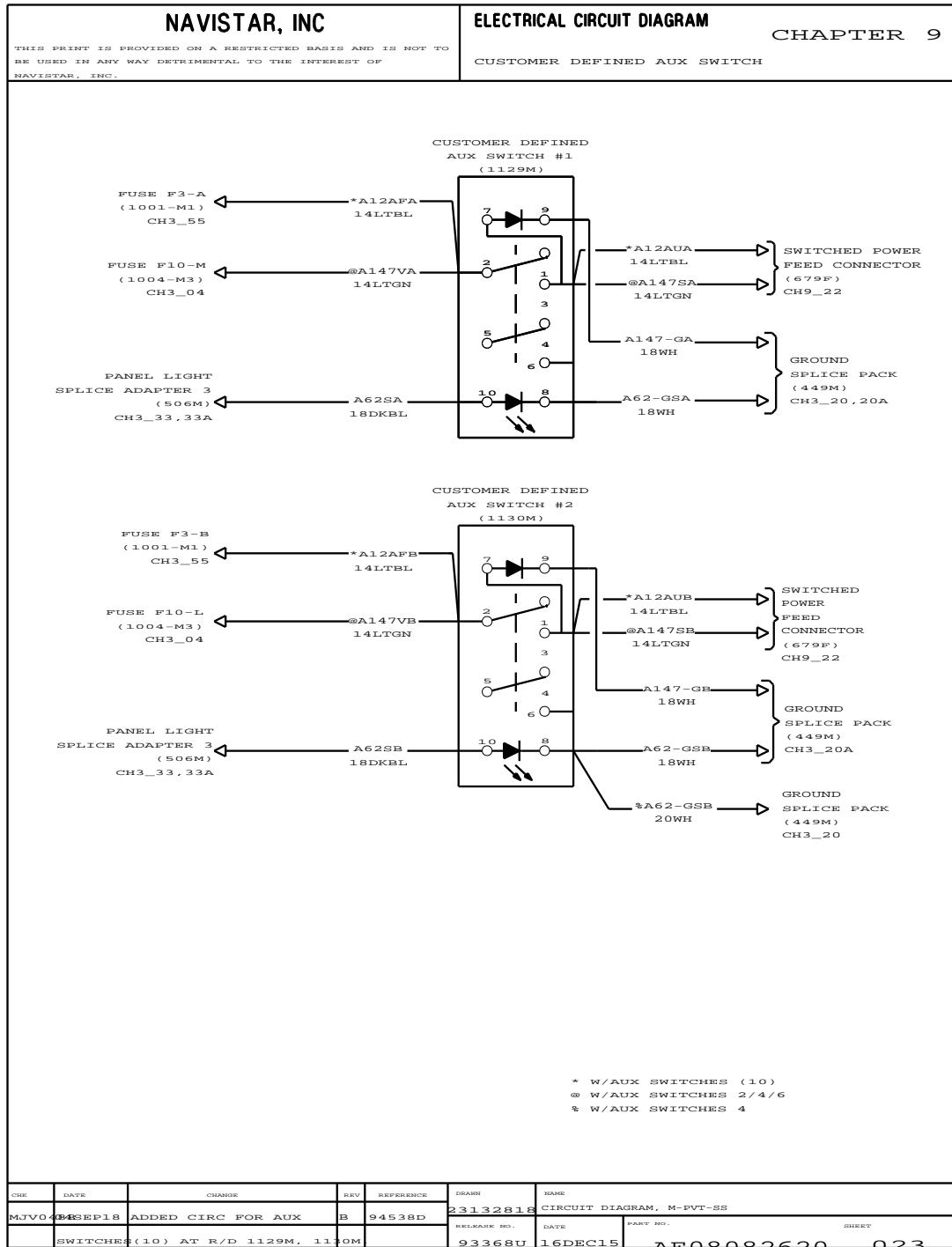


Figure 223 Customer Defined Auxiliary Switch

9.28. CUSTOMER DEFINED AUXILIARY SWITCH (CONT.), P. 24

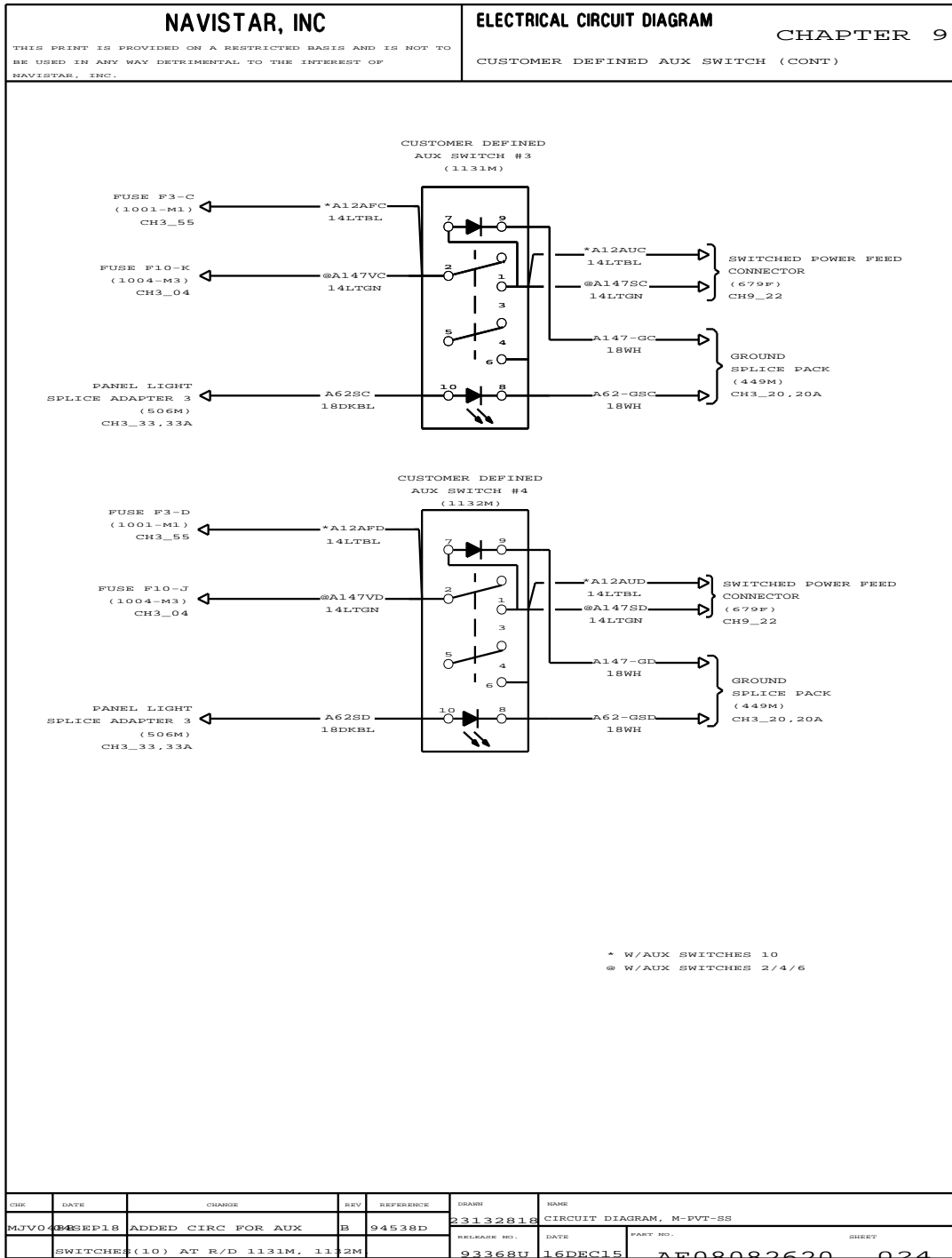


Figure 224 Customer Defined Auxiliary Switch (Cont.)

9.29. CUSTOMER DEFINED AUXILIARY SWITCH (CONT.), P. 25

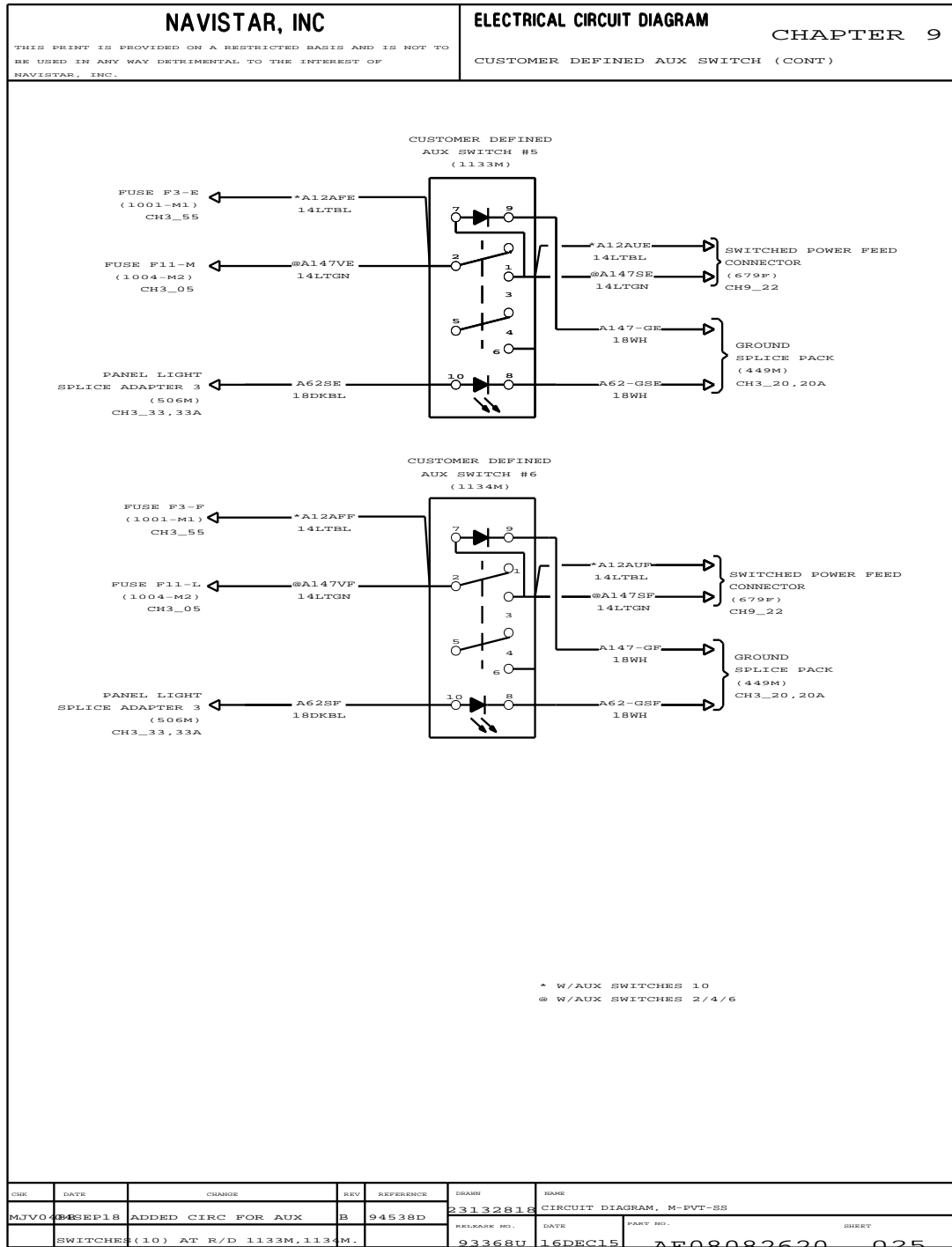


Figure 225 Customer Defined Auxiliary Switch (Cont.)

9.30. CUSTOMER DEFINED AUXILIARY SWITCH (CONT.), P. 25A

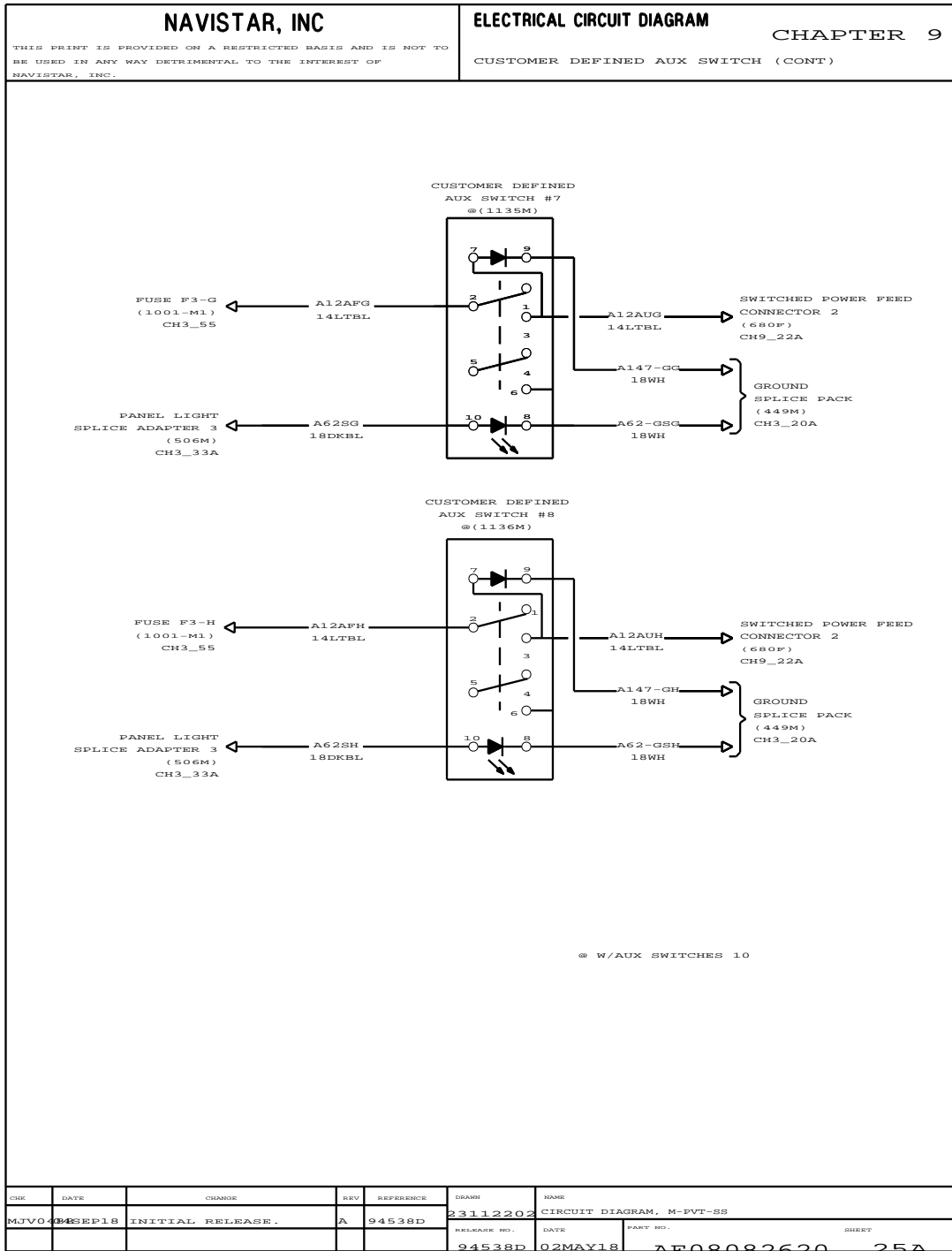


Figure 226 Customer Defined Auxiliary Switch (Cont.)

9.31. CUSTOMER DEFINED AUXILIARY SWITCH (CONT.), P. 25B

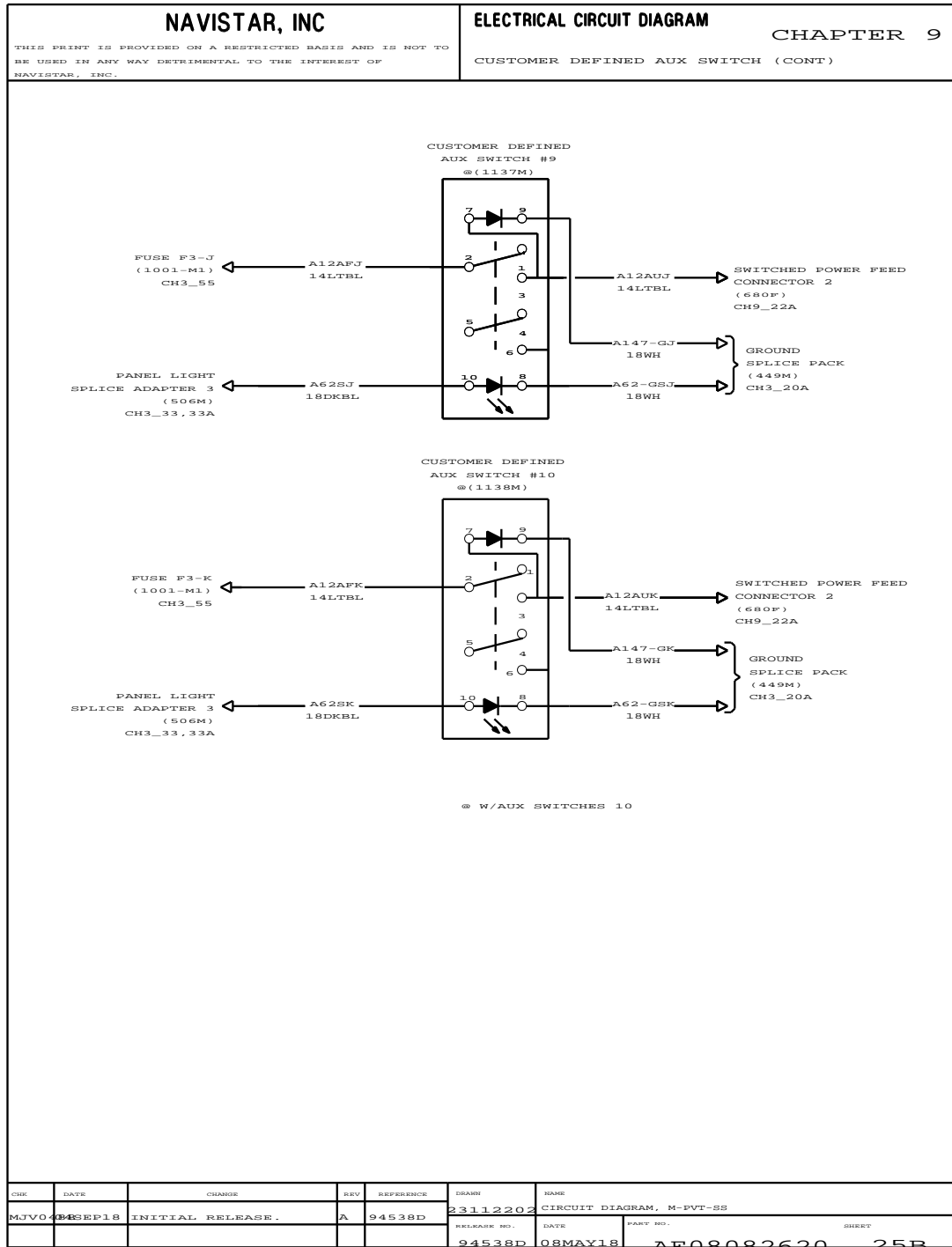


Figure 227 Customer Defined Auxiliary Switch (Cont.)

9.32. SLEEPER BOX WITH SKIRT LIGHT CONNECTIONS, P. 26

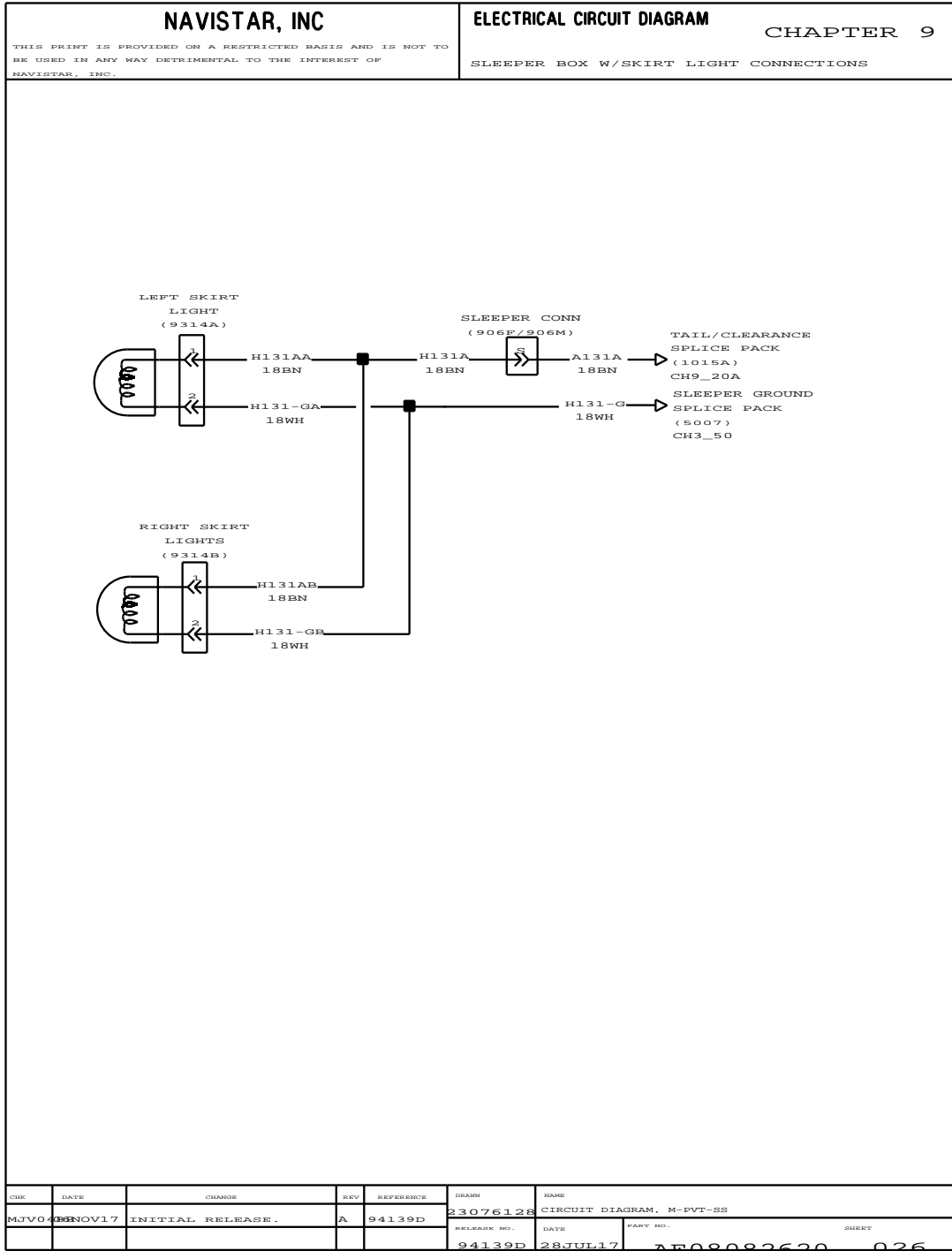


Figure 228 Sleeper Box with Skirt Light Connections

9.33. SLEEPER BOX WITH LUGGAGE LIGHTS CONNECTIONS, P. 27

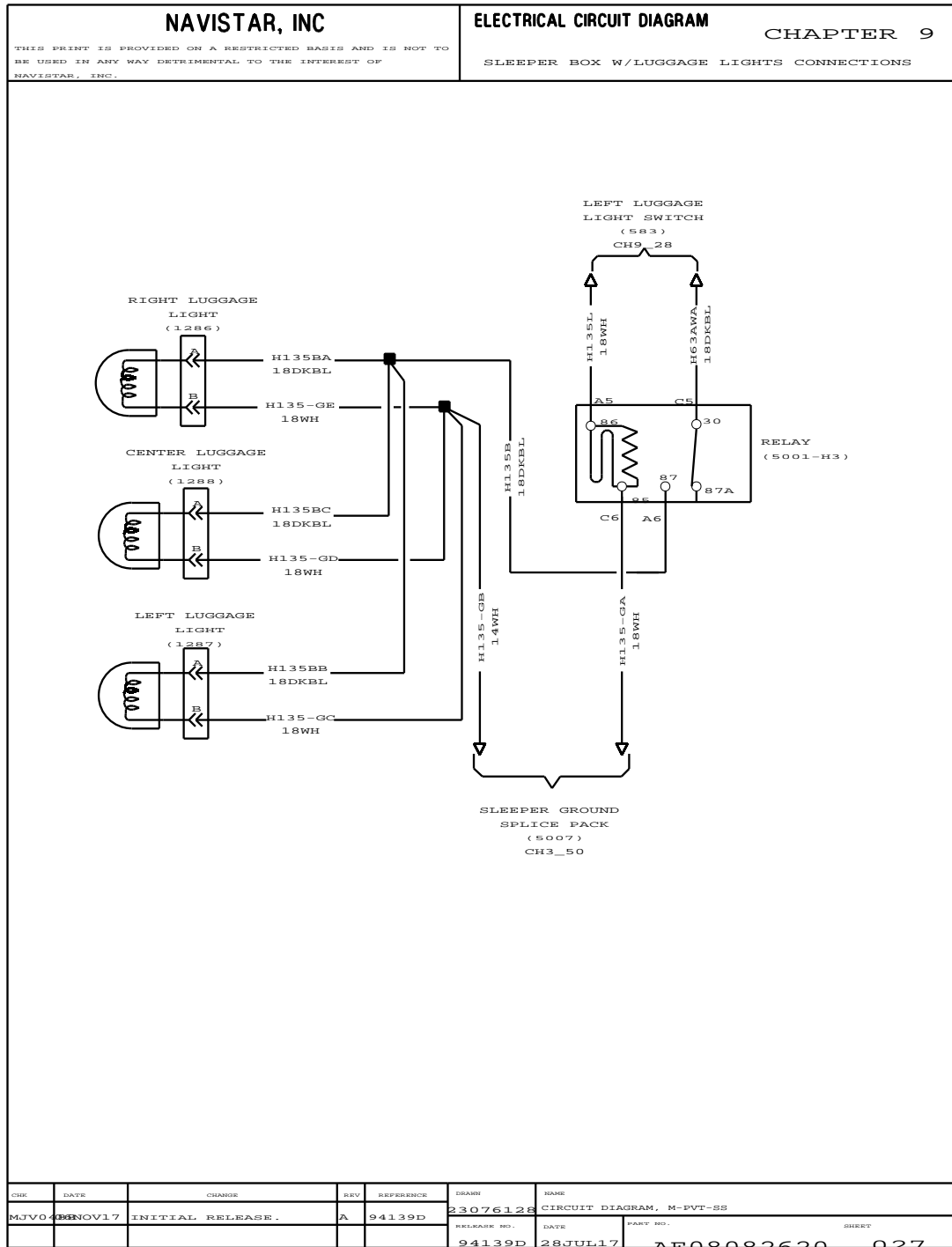


Figure 229 Sleeper Box with Luggage Lights Connections

9.34. SLEEPER BOX WITH LUGGAGE LIGHTS CONNECTIONS (CONT.), P. 28

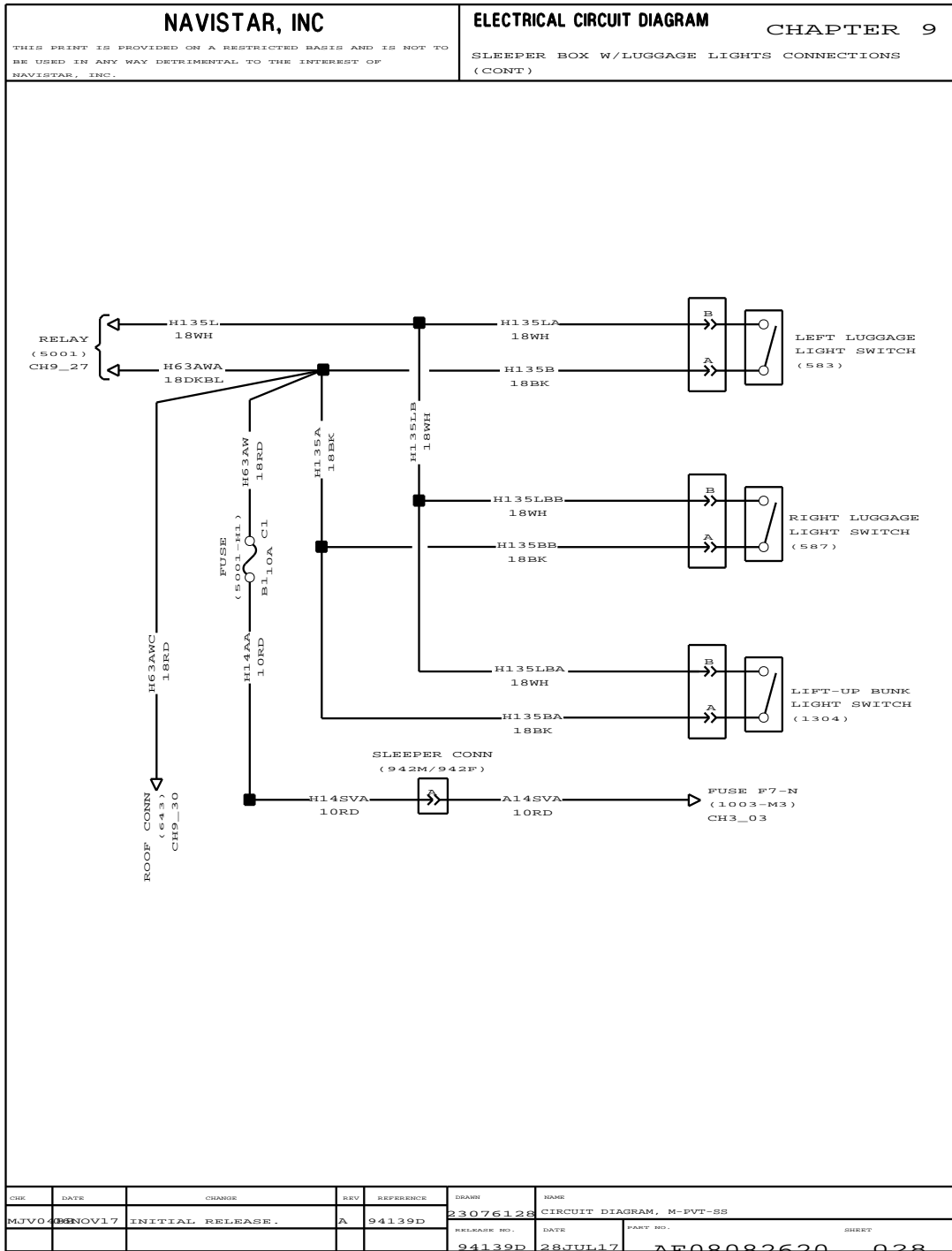


Figure 230 Sleeper Box with Luggage Lights Connections (Cont.)

9.35. SLEEPER BOX WITH DOME AND READING LIGHT, P. 29

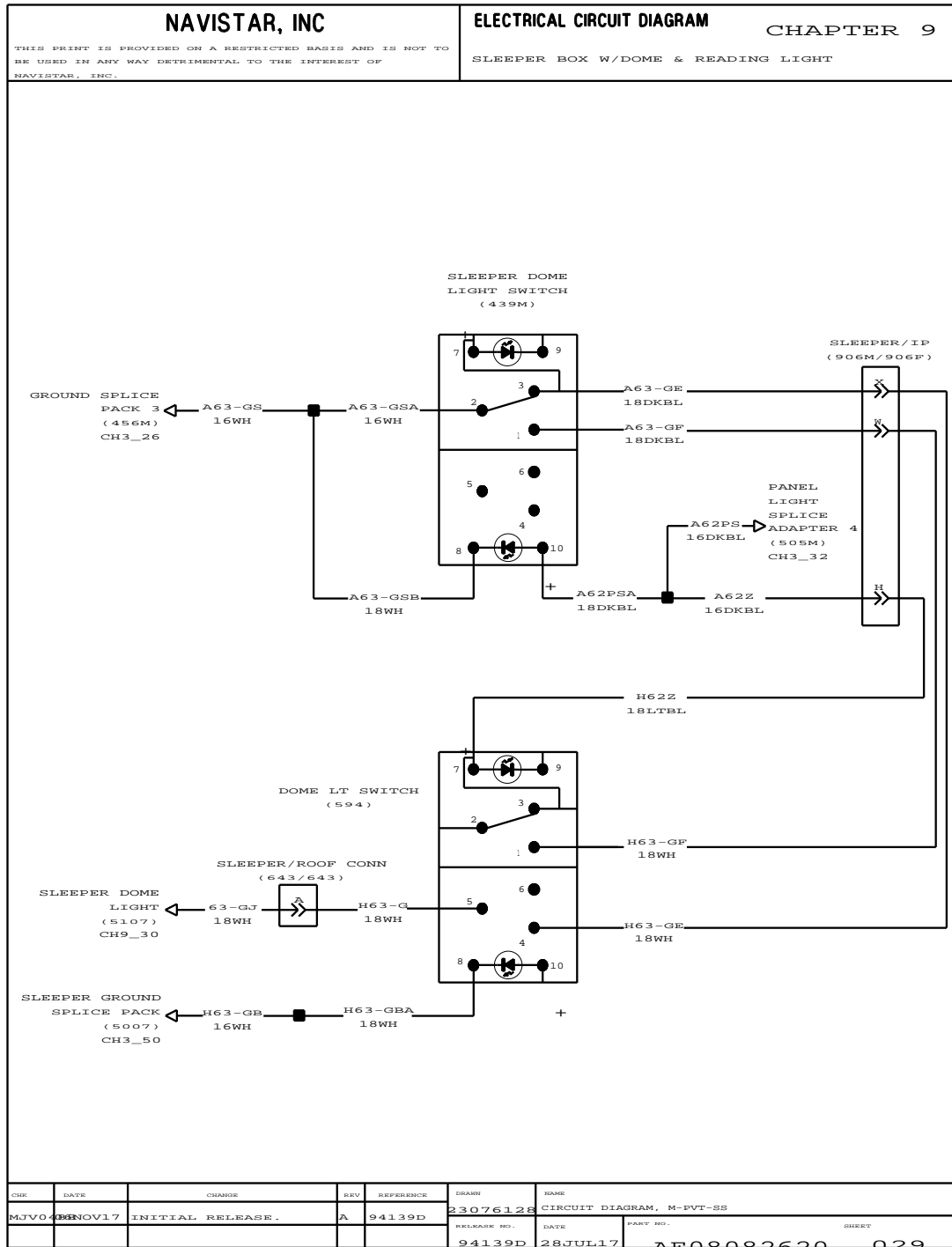


Figure 231 Sleeper Box with Dome and Reading Light

9.37. SLEEPER BOX WITH TURN AND MARKER LIGHTS N13 2017 ENGINE, P. 31

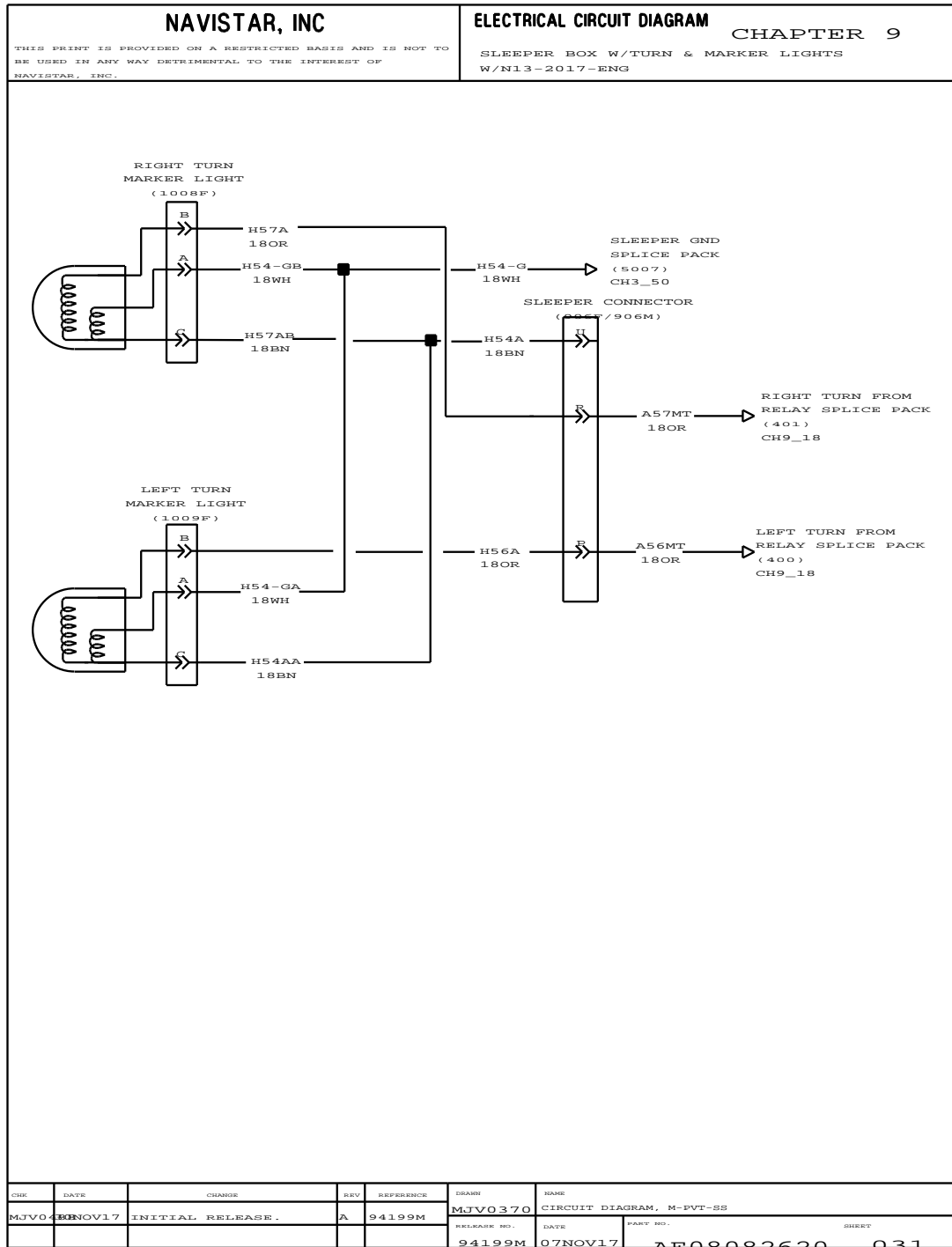


Figure 233 Sleeper Box with Turn and Marker Lights N13 2017 Engine

CHASSIS ACCESSORIES (CHAPTER 10)

10.1. AIR DRYER AND HEATED DRAIN VALVE, P. 1

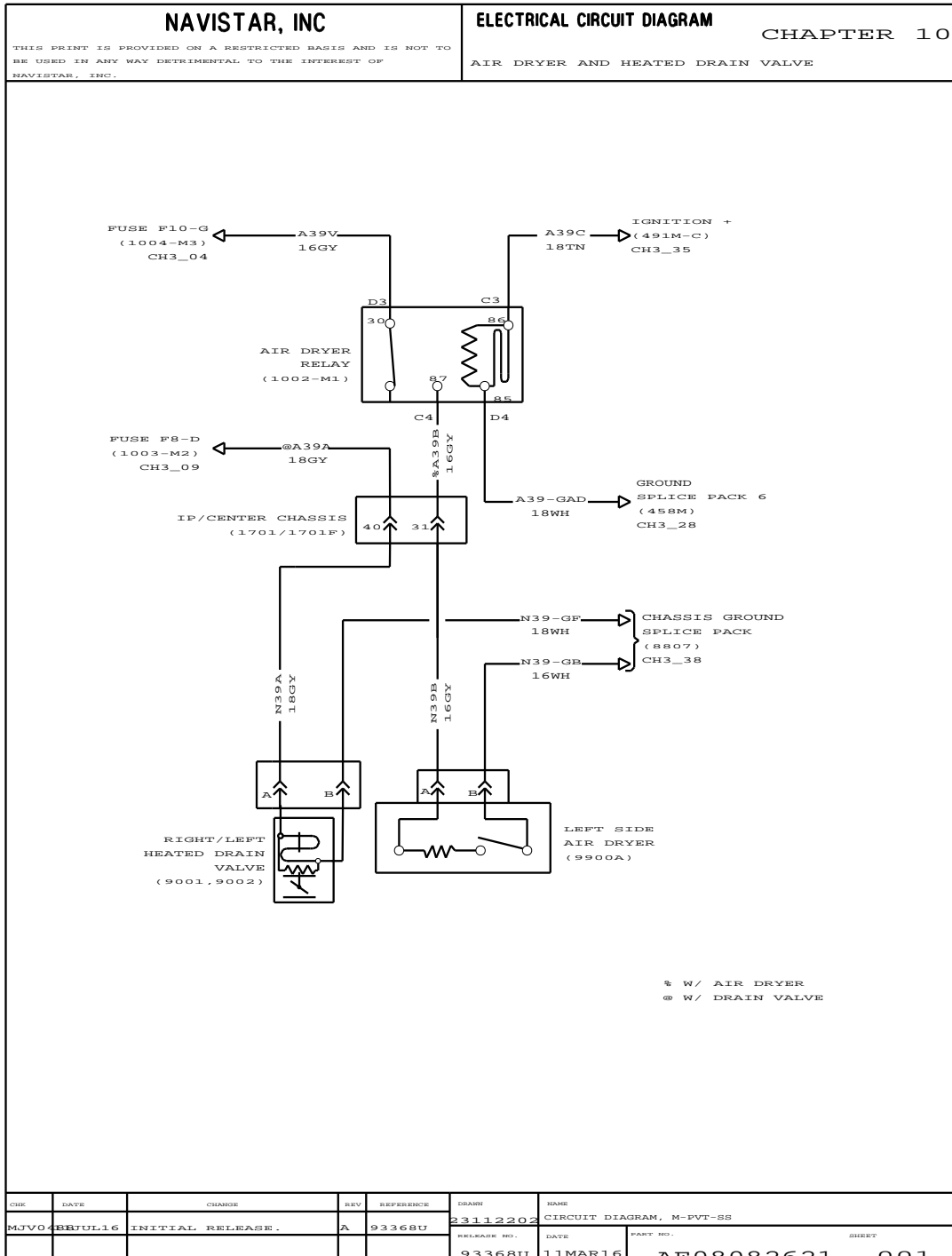


Figure 234 Air Dryer and Heated Drain Valve

10.2. DIFFERENTIAL WARNING LIGHTS, P. 2

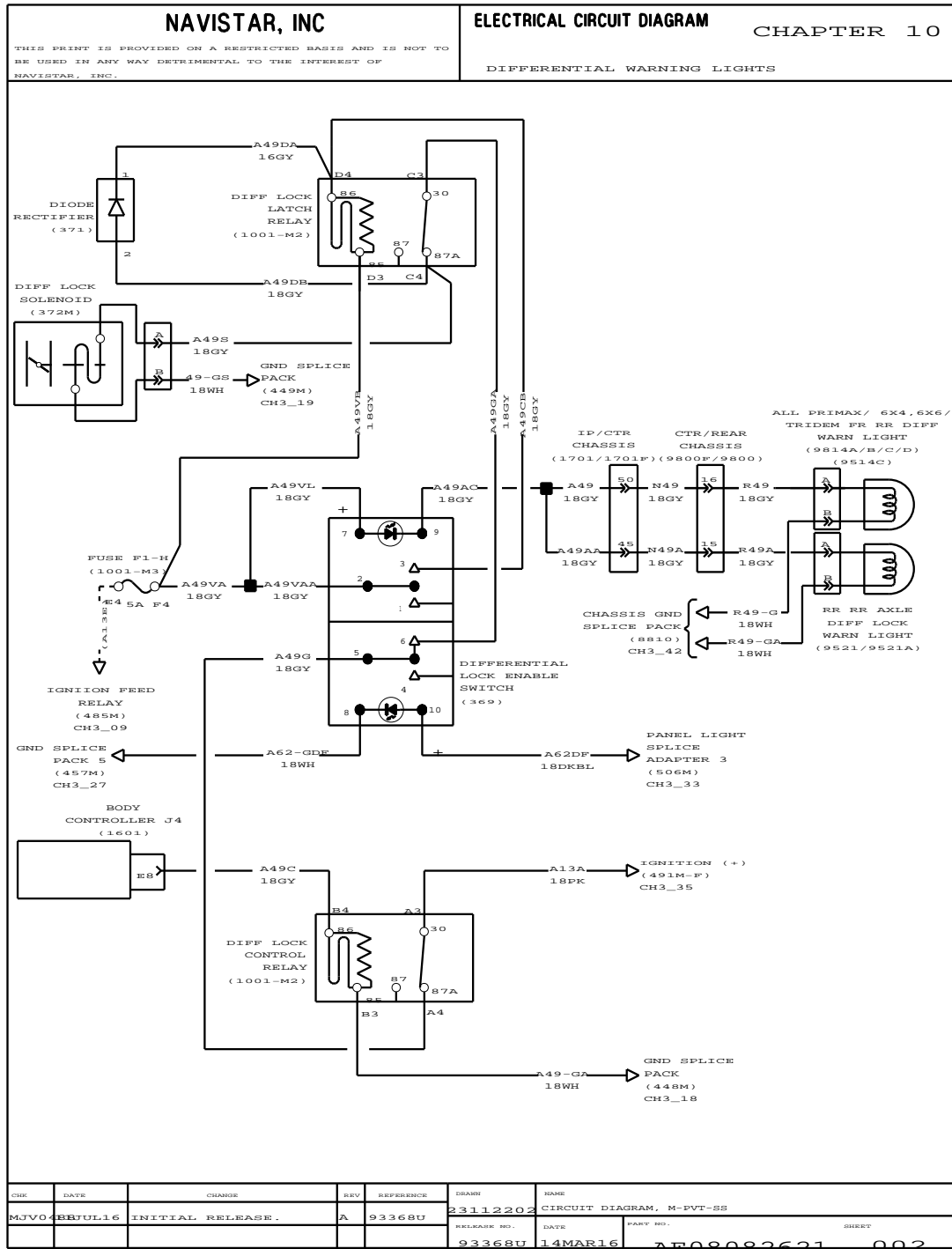


Figure 235 Differential Warning Lights

10.3. DIFFERENTIAL WARNING LIGHTS (CONT.), P. 3

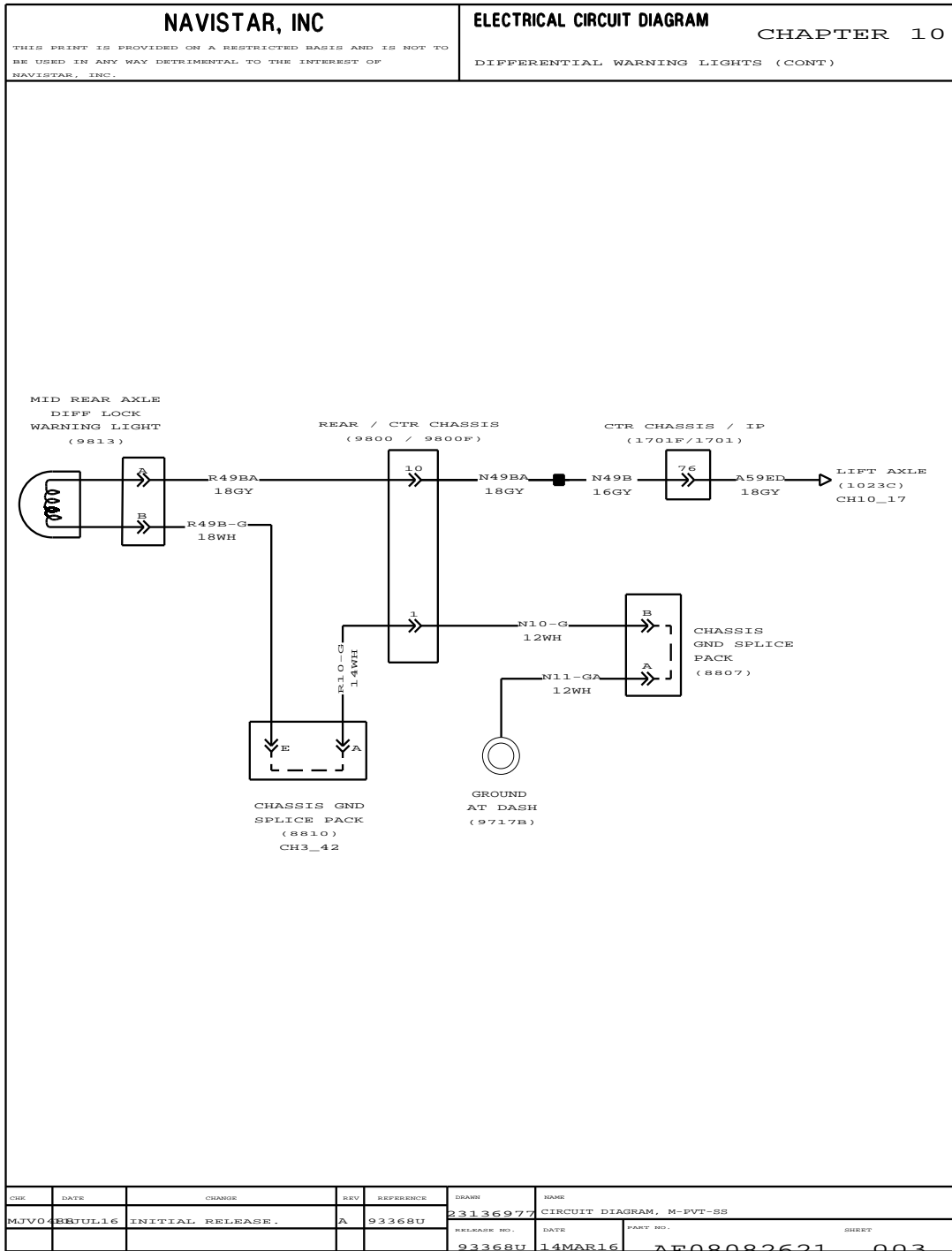


Figure 236 Differential Warning Lights (Cont.)

10.4. AIR SWITCHES, P. 4

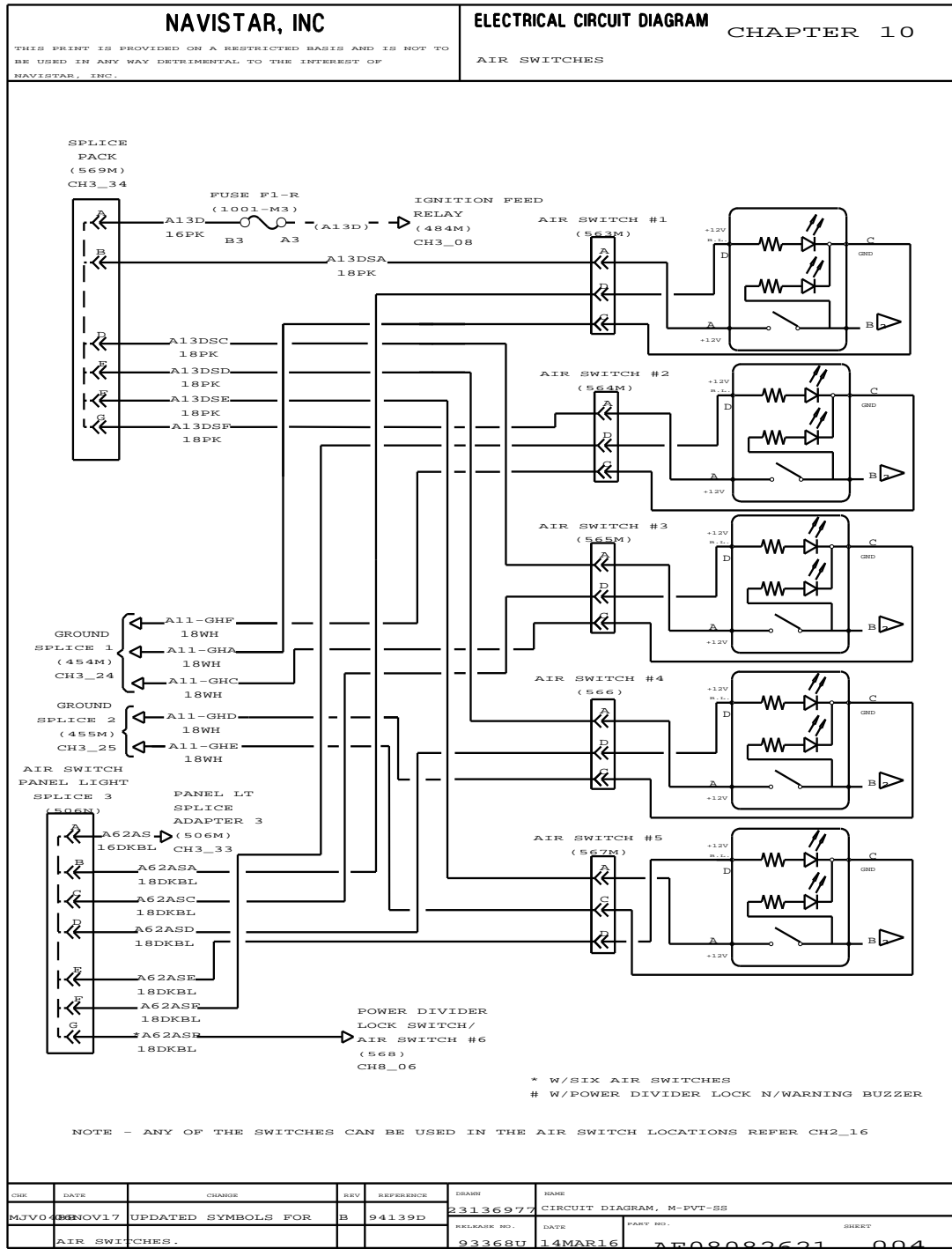


Figure 237 Air Switches

10.5. BRAKE WIRING, P. 5

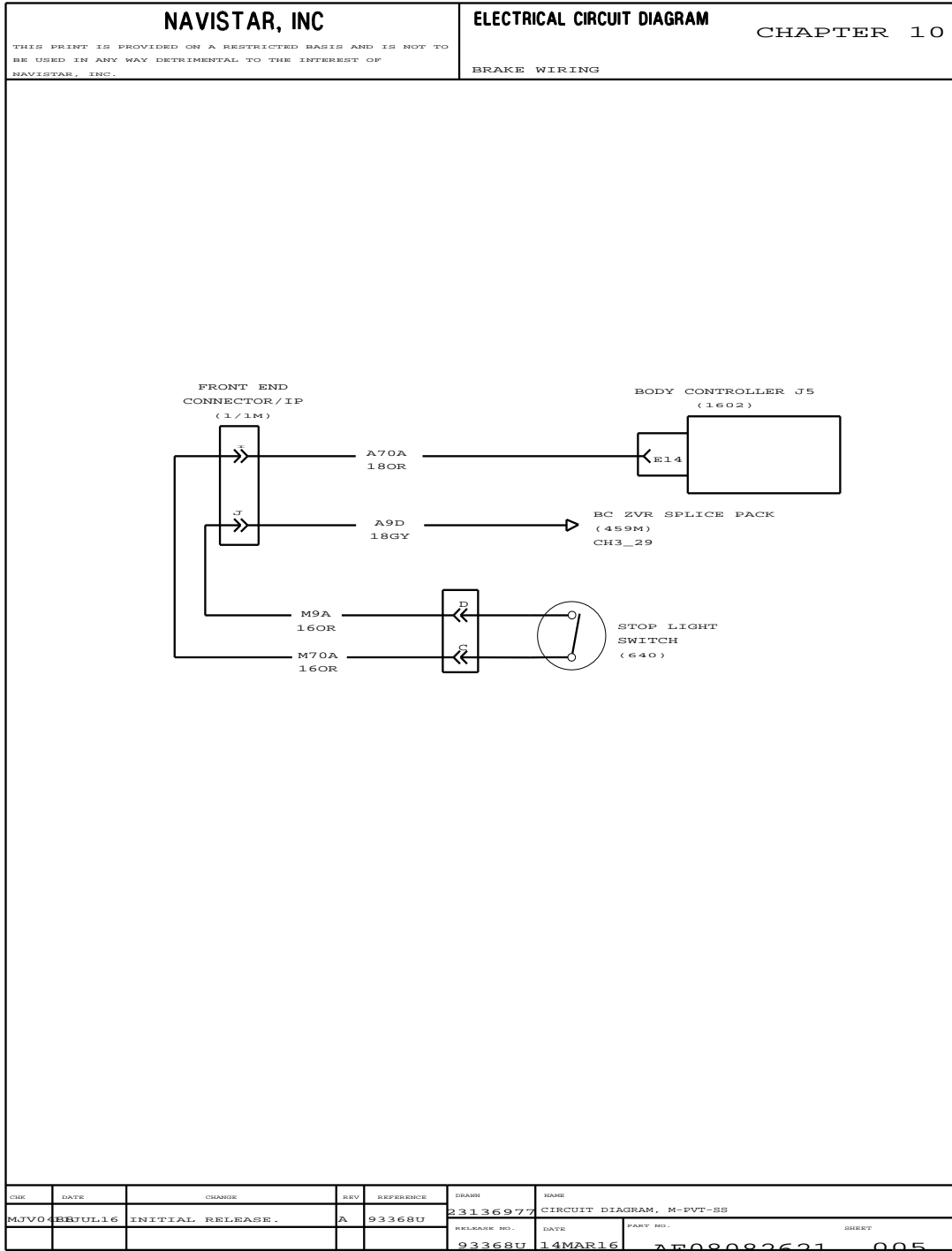


Figure 238 Brake Wiring

10.6. BENDIX ELECTRONIC STABILITY PROGRAM (ESP) WIRING WITH TRACTOR BRAKES WITH ULTRASHIFT TRANSMISSION, P. 6

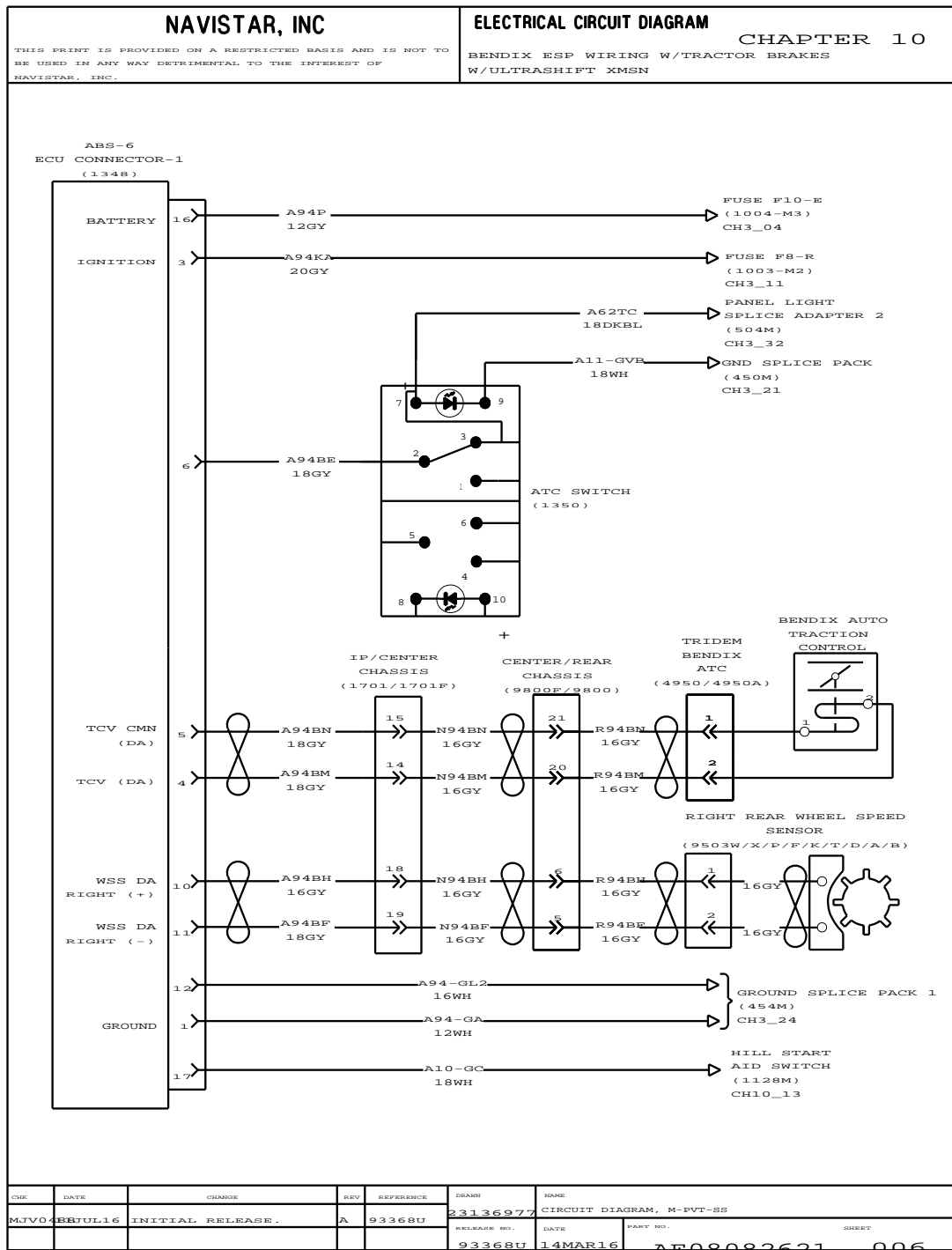


Figure 239 Bendix Electronic Stability Program (ESP) Wiring with Tractor Brakes with Ultrashift Transmission

10.7. BENDIX ESP WIRING WITH TRACTOR BRAKES WITH ULTRASHIFT TRANSMISSION (CONT.), P. 7

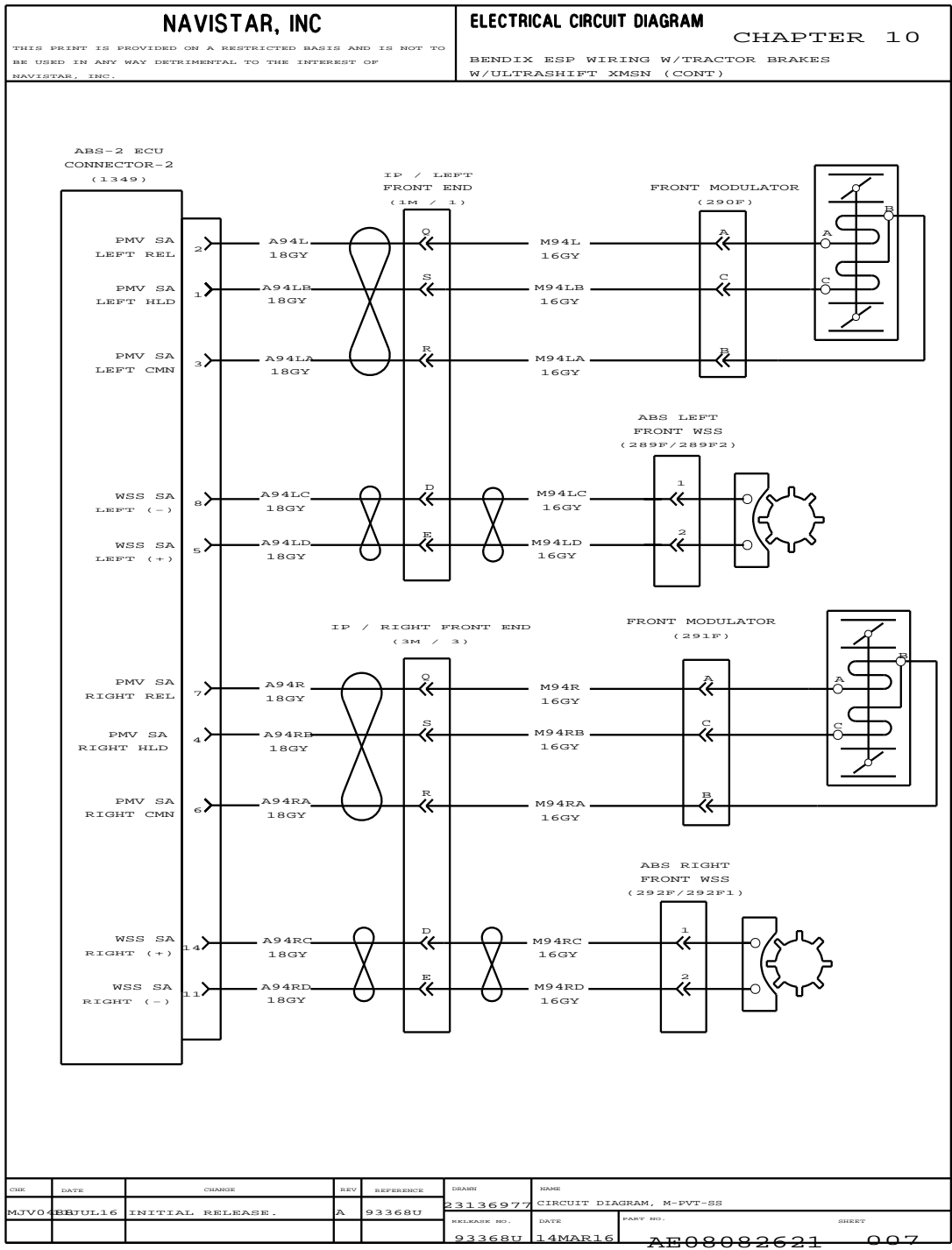


Figure 240 Bendix ESP Wiring with Tractor Brakes with Ultrashift Transmission (Cont.)

10.8. BENDIX ESP WIRING WITH TRACTOR BRAKES WITH ULTRASHIFT TRANSMISSION (CONT.), P. 8

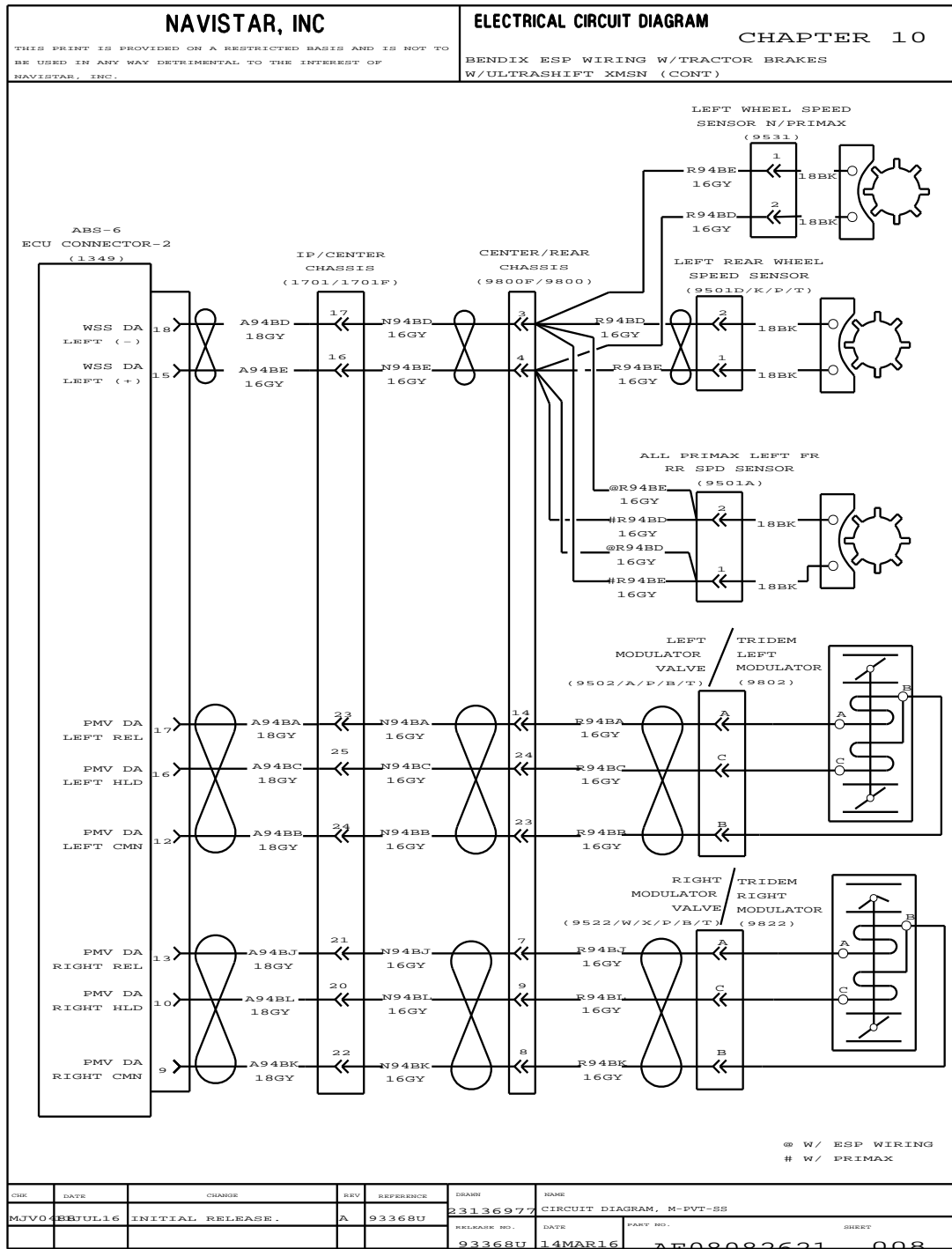


Figure 241 Bendix ESP Wiring with Tractor Brakes with Ultrashift Transmission (Cont.)

10.9. BENDIX ESP WIRING WITH TRACTOR BRAKES WITH ULTRASHIFT TRANSMISSION (CONT.), P. 9

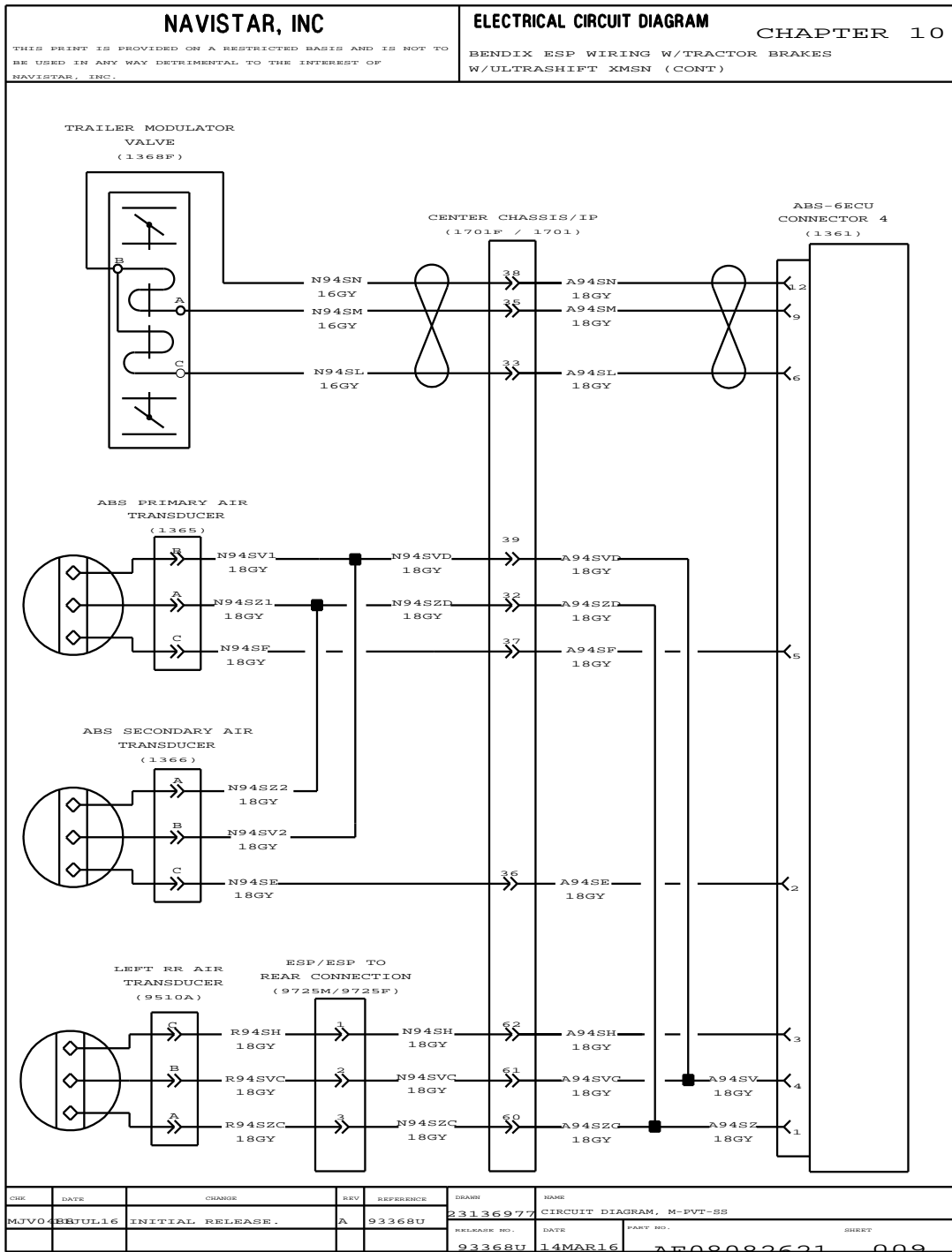


Figure 242 Bendix ESP Wiring with Tractor Brakes with Ultrashift Transmission (Cont.)

10.10. BENDIX ESP WIRING WITH TRACTOR BRAKES WITH ULTRASHIFT TRANSMISSION (CONT.), P. 10

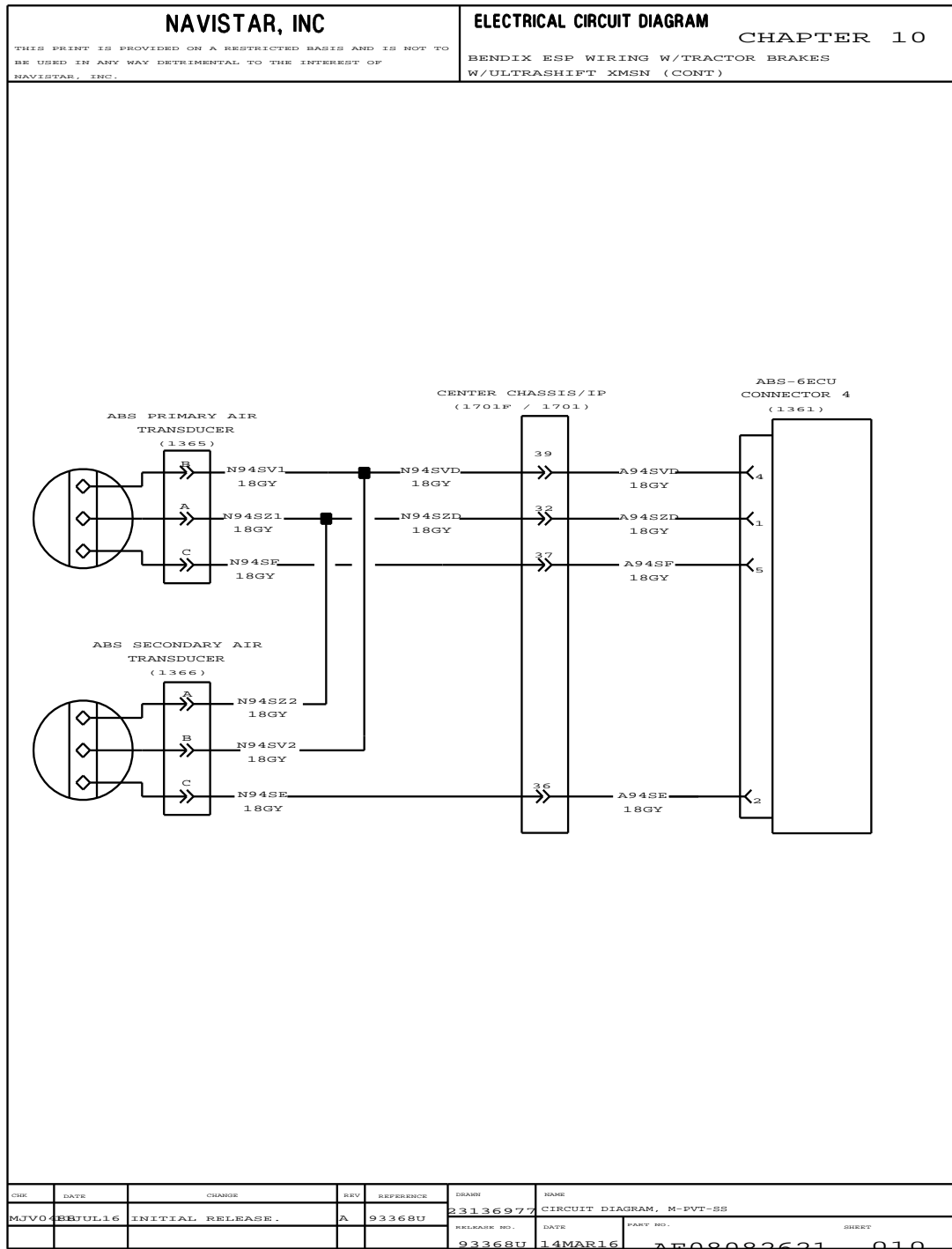


Figure 243 Bendix ESP Wiring with Tractor Brakes with Ultrashift Transmission (Cont.)

10.11. BENDIX ESP WIRING WITH TRACTOR BRAKES WITH ULTRASHIFT TRANSMISSION (CONT.), P. 11

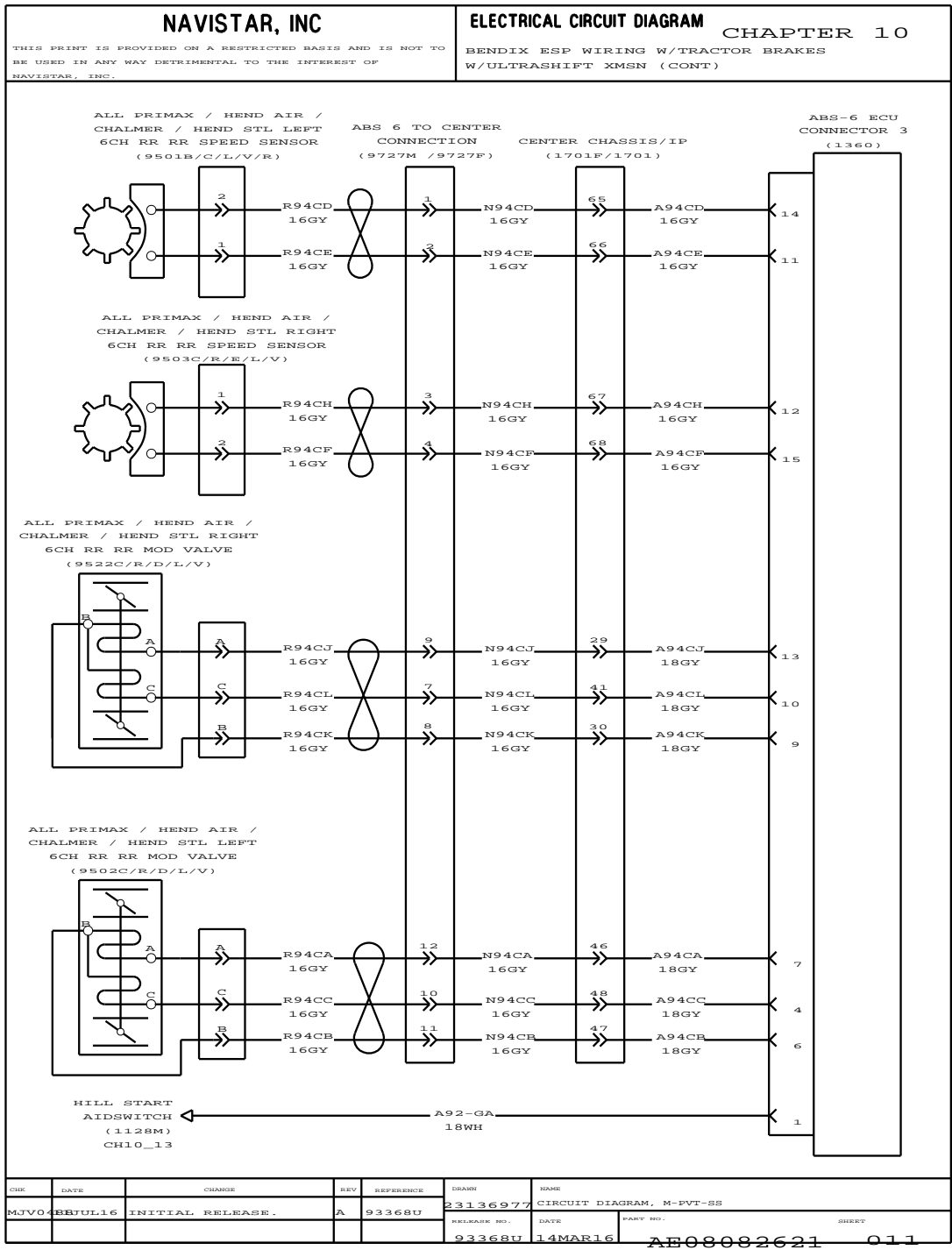


Figure 244 Bendix ESP Wiring with Tractor Brakes with Ultrashift Transmission (Cont.)

10.12. BENDIX ESP WIRING WITH TRACTOR BRAKES WITH ULTRASHIFT TRANSMISSION (CONT.), P. 12

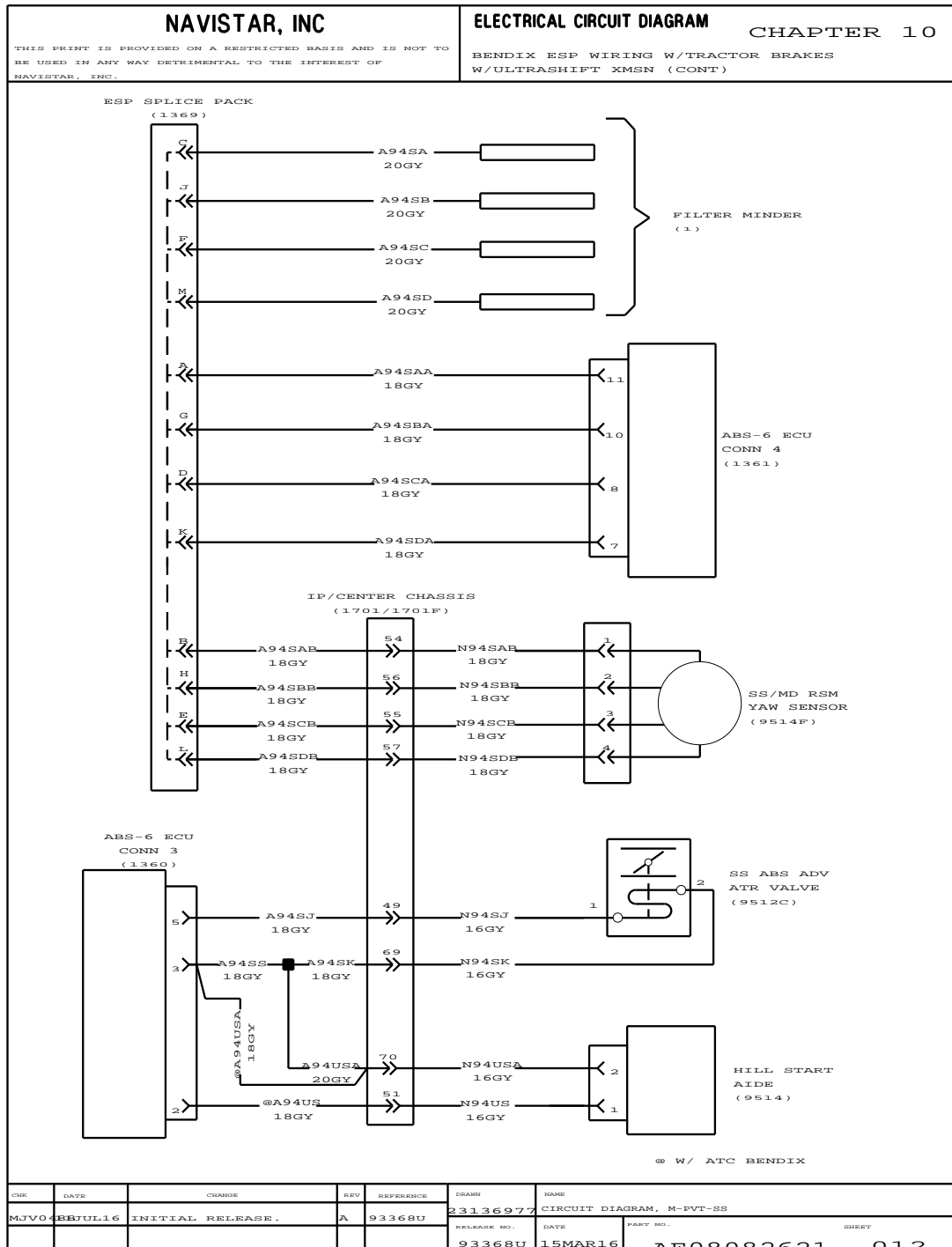


Figure 245 Bendix ESP Wiring with Tractor Brakes with Ultrashift Transmission (Cont.)

10.13. HILL START AID SWITCH, P. 13

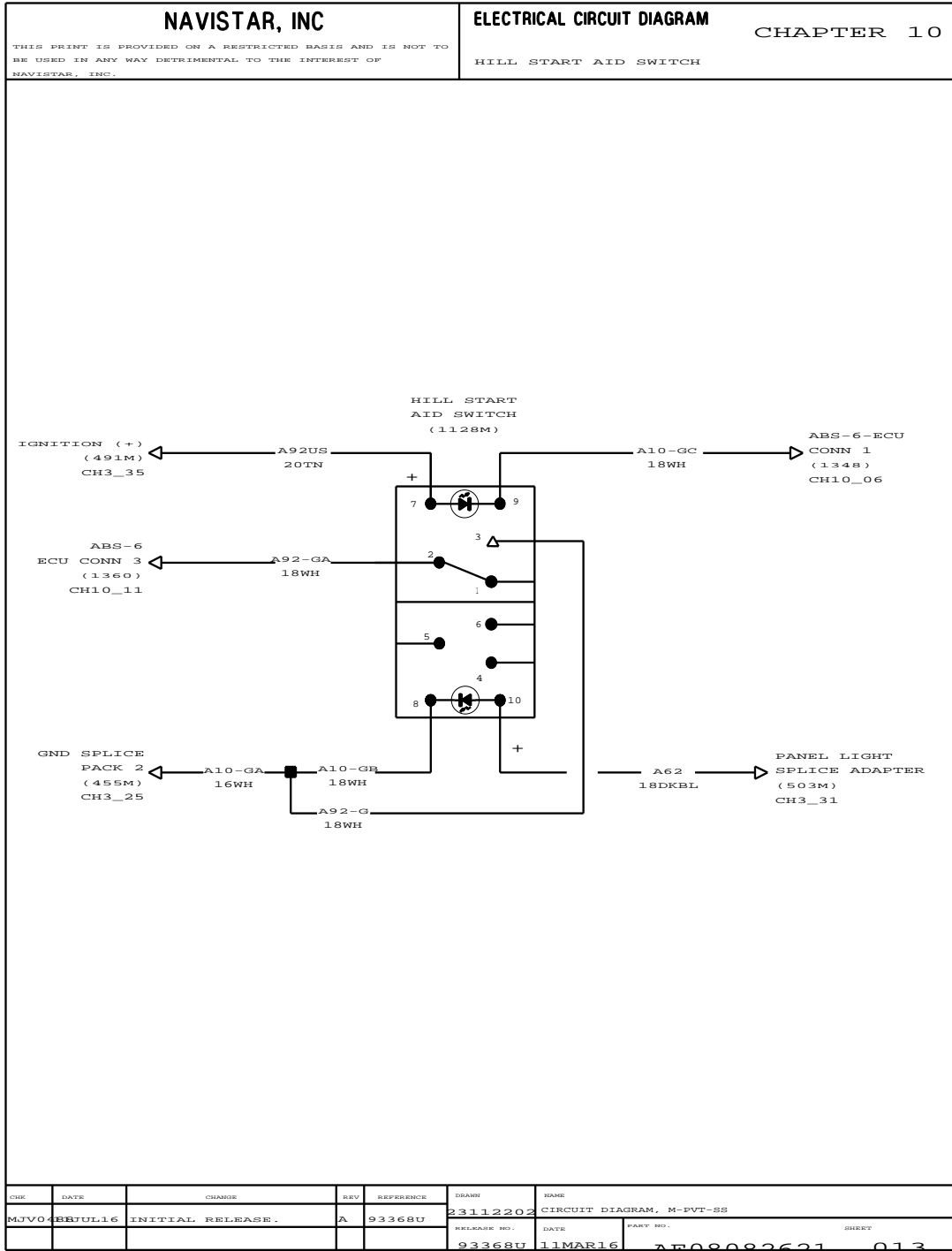


Figure 246 Hill Start Aid Switch

10.14. LIFT AXLE LATCH AND REVERSE RELAY, P. 14

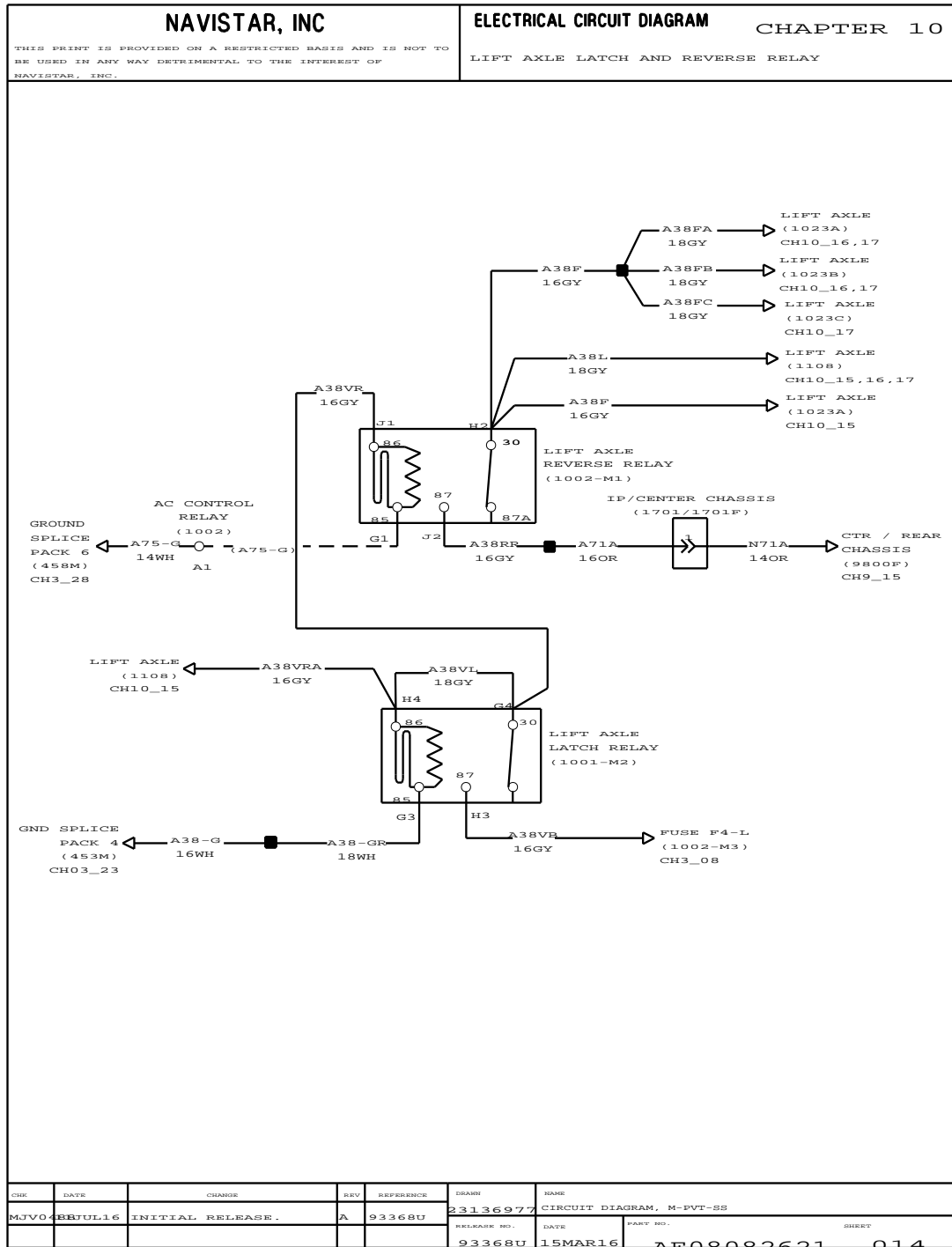


Figure 247 Lift Axle Latch and Reverse Relay

10.15. LIFT AXLE WIRING WITH ONE AXLE, P. 15

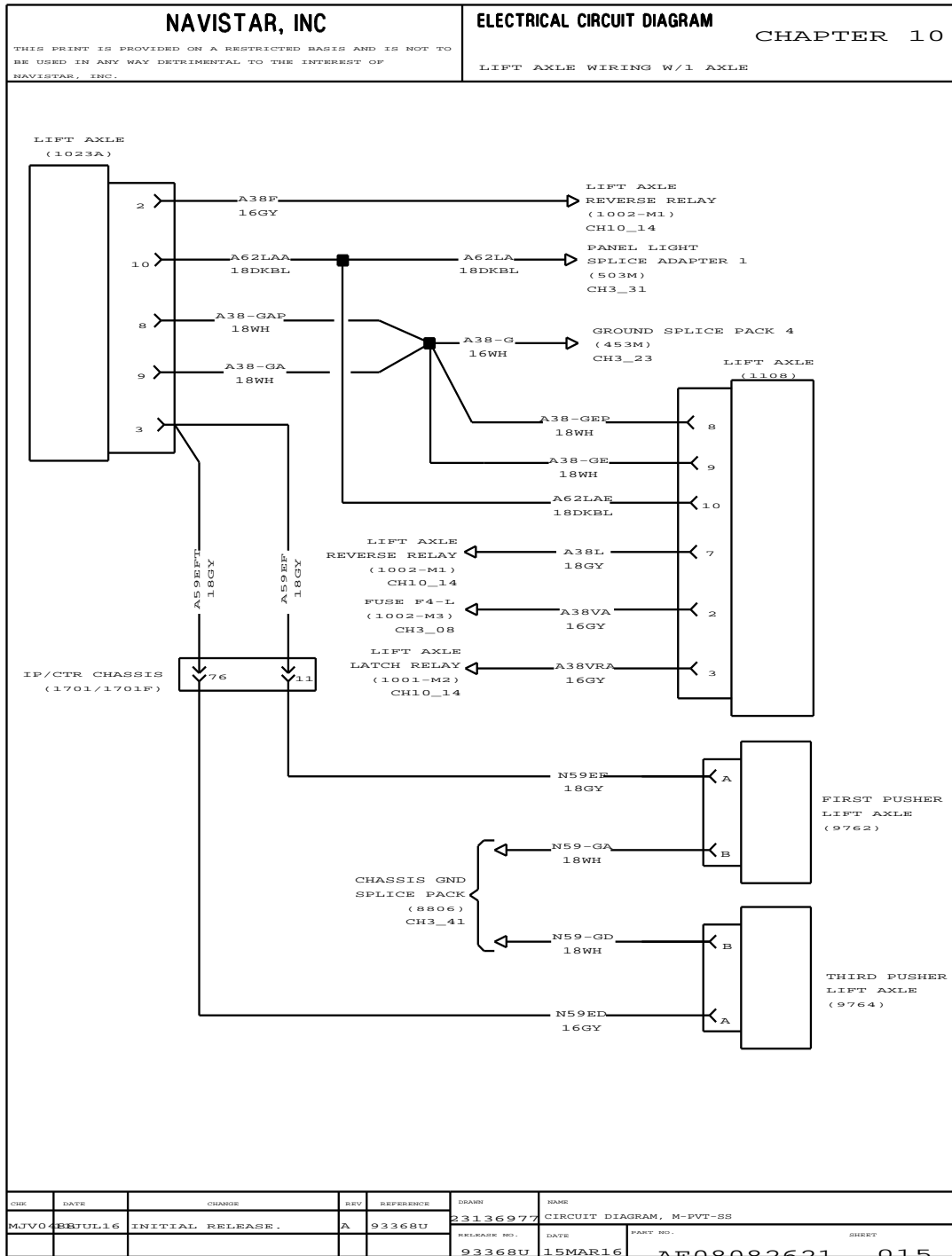


Figure 248 Lift Axle Wiring with One Axle

10.16. LIFT AXLE WIRING WITH TWO AXLES, P. 16

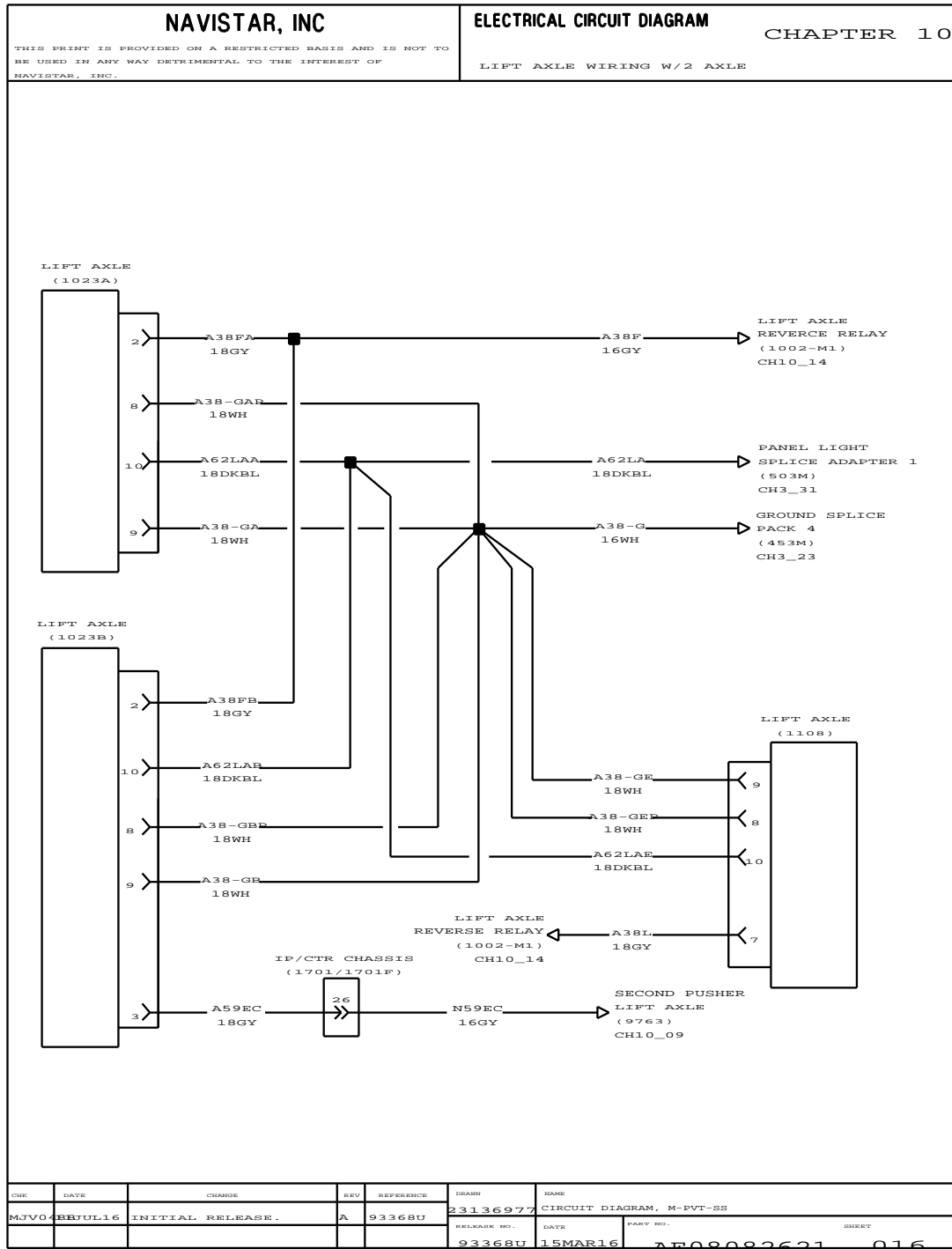


Figure 249 Lift Axle Wiring with Two Axles

10.17. LIFT AXLE WIRING WITH THREE AXLES, P. 17

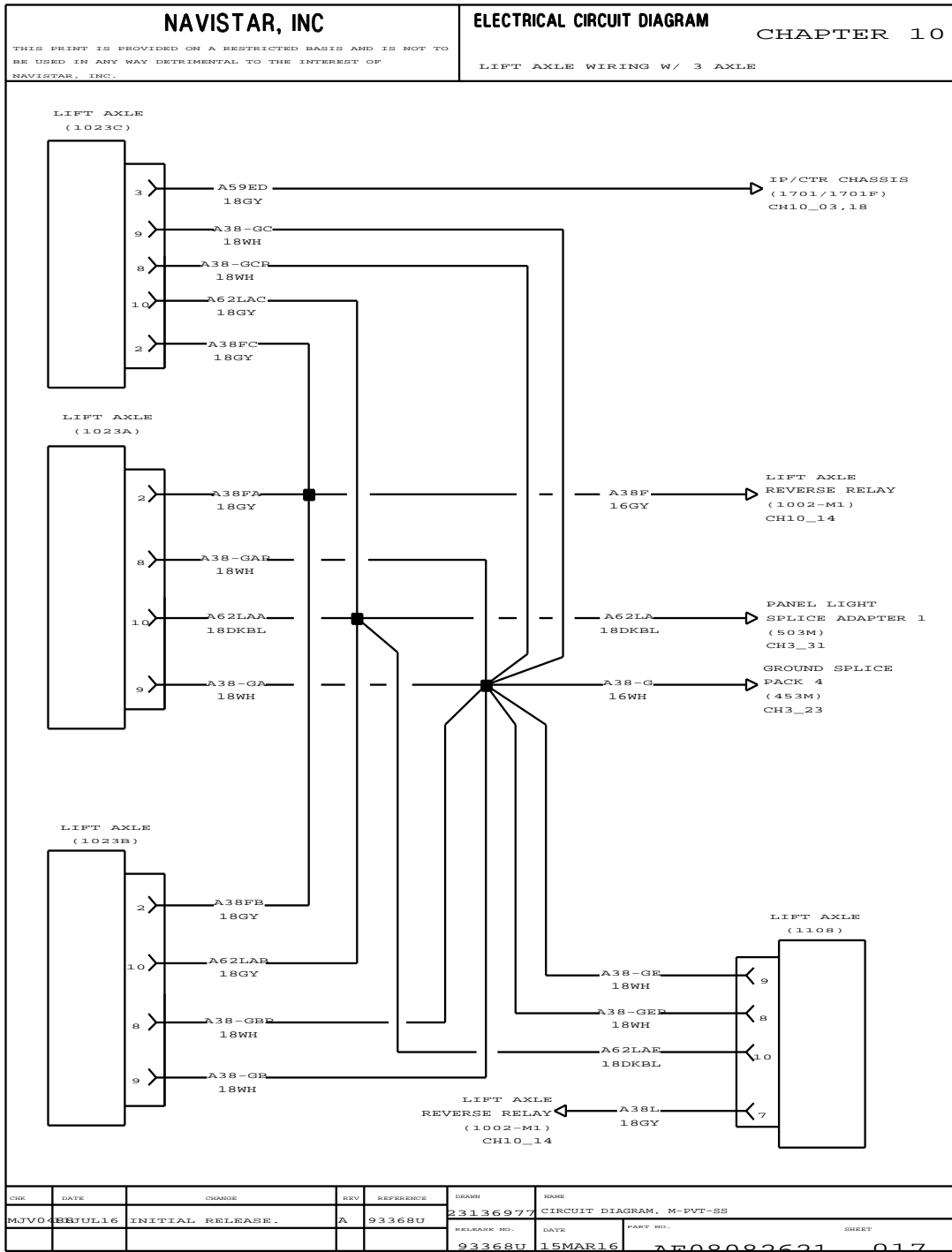


Figure 250 Lift Axle Wiring with Three Axles

10.18. TAG AXLE WIRING, P. 18

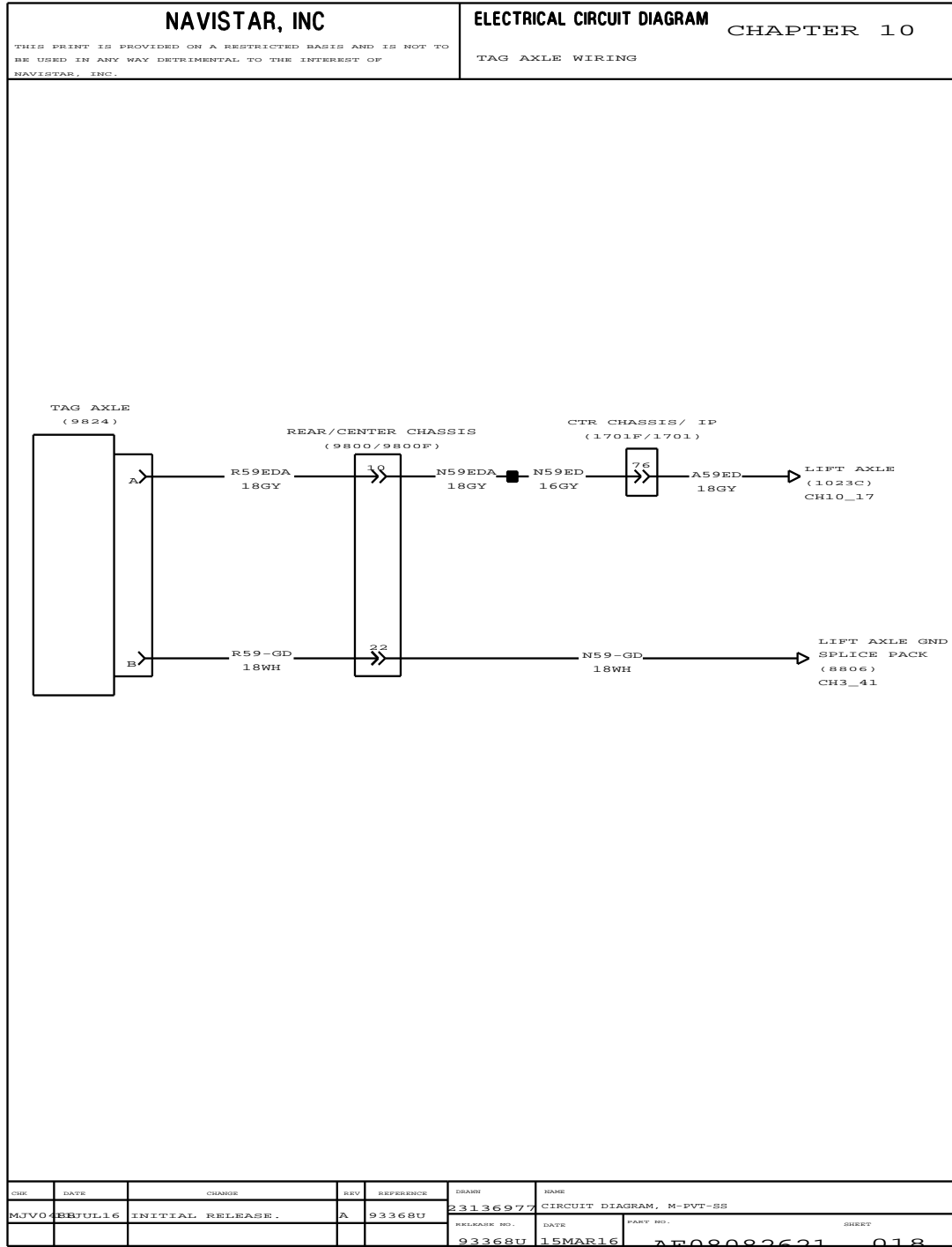


Figure 251 Tag Axle Wiring

10.19. PUSHER AXLE WIRING, P. 19

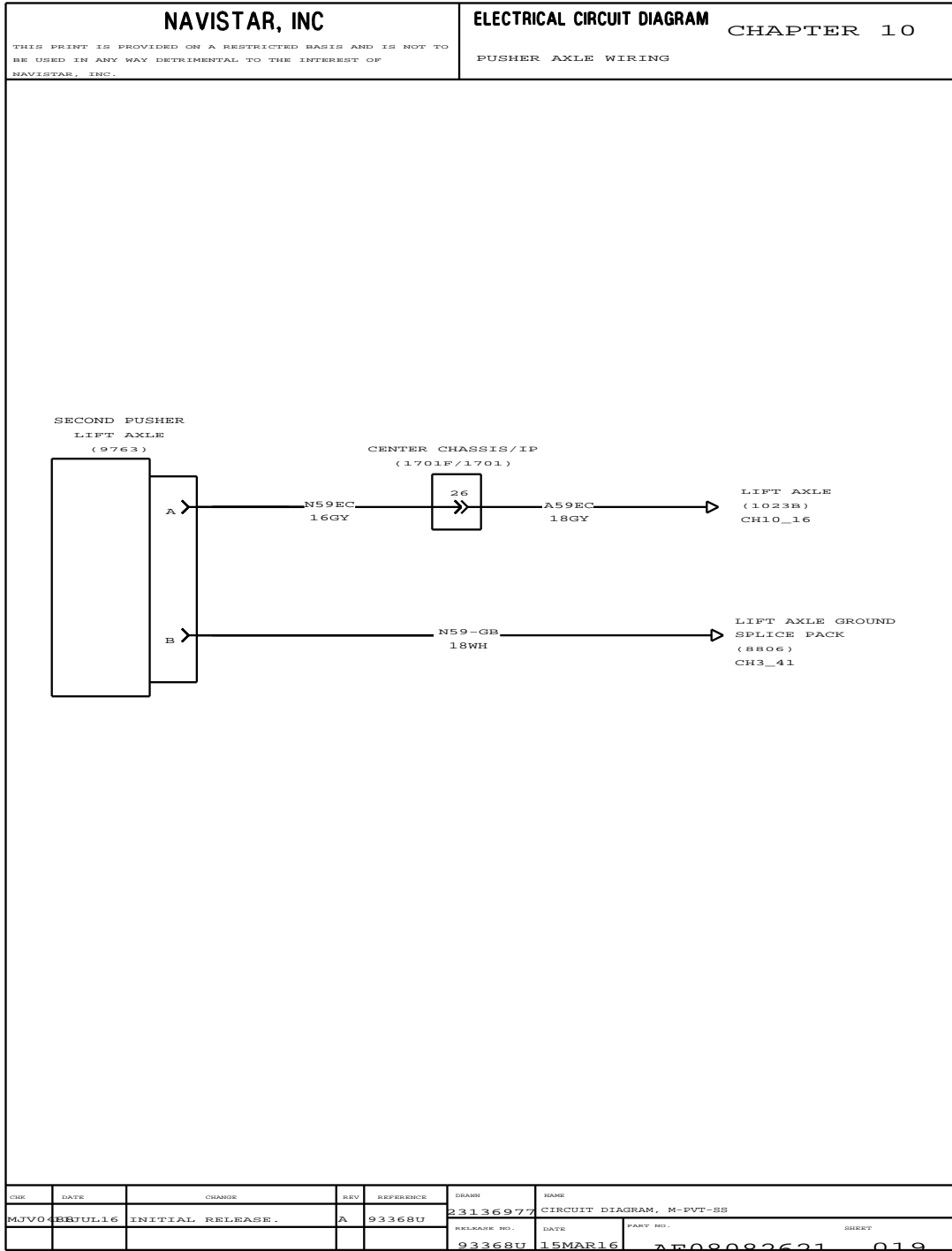


Figure 252 Pusher Axle Wiring

10.20. BODY BUILDER LIGHTING WIRING, P. 20

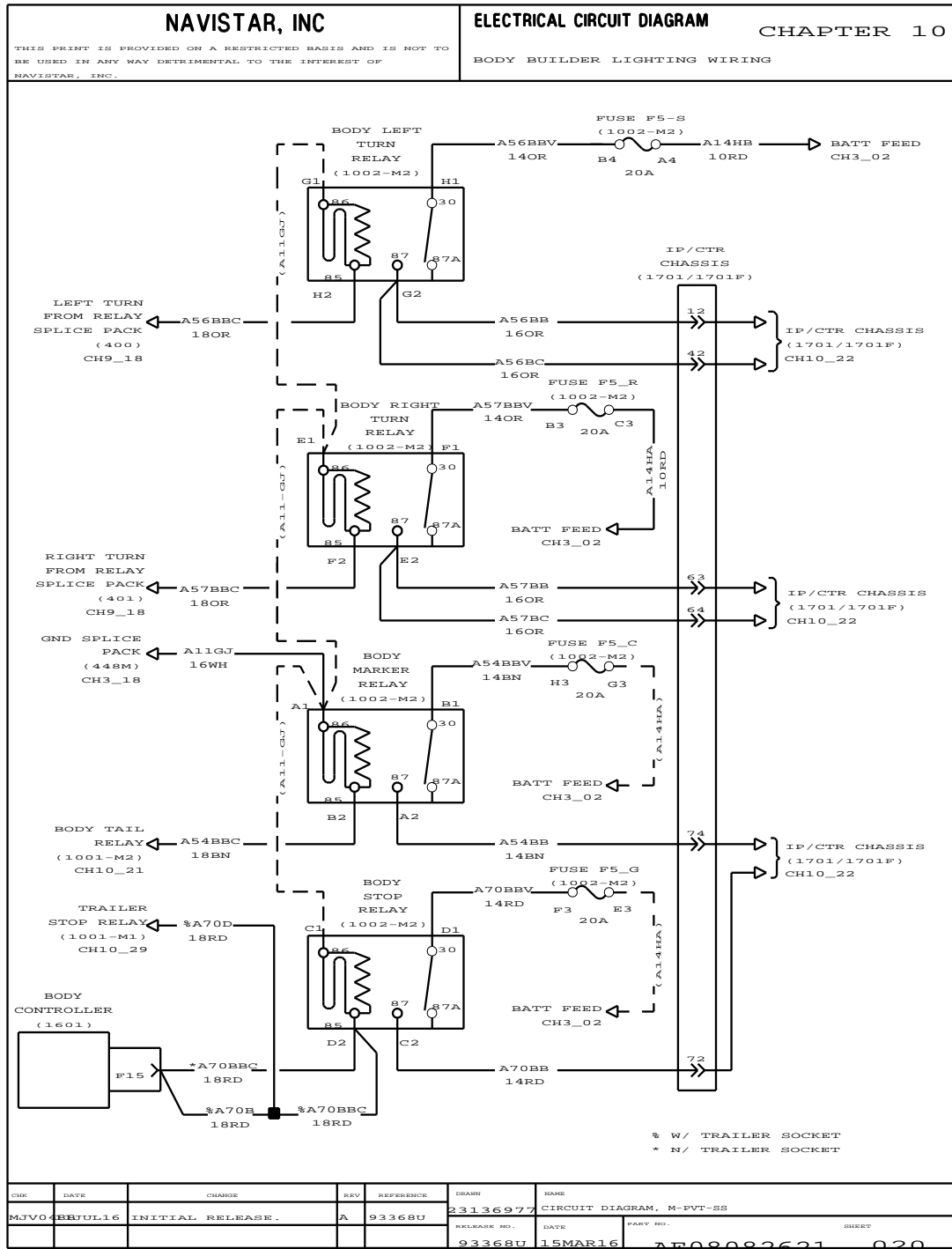


Figure 253 Body Builder Lighting Wiring

10.22. BODY BUILDER LIGHTING WIRING (CONT.), P. 22

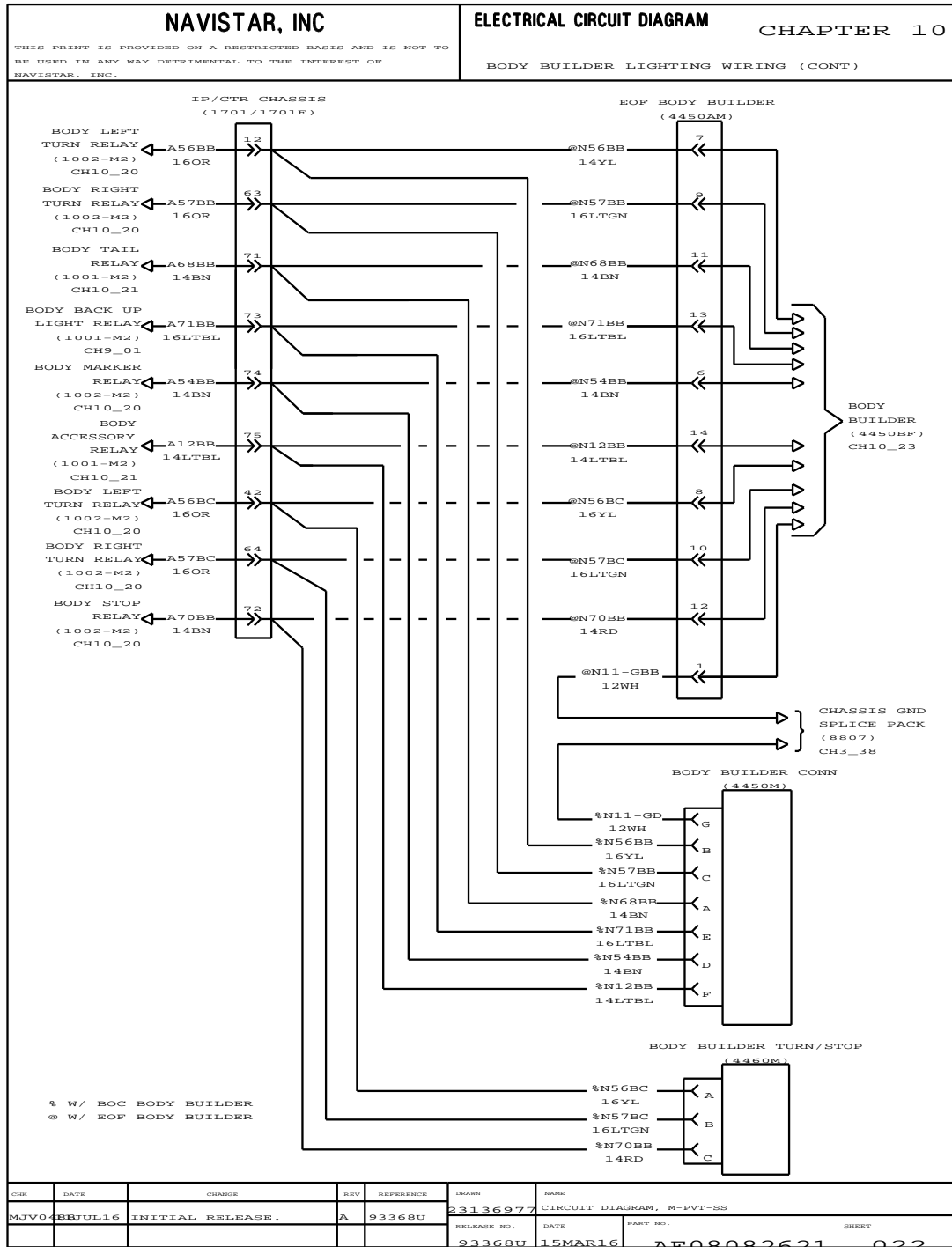


Figure 255 Body Builder Lighting Wiring (Cont.)

10.23. BODY BUILDER LIGHTING WIRING (CONT.), P. 23

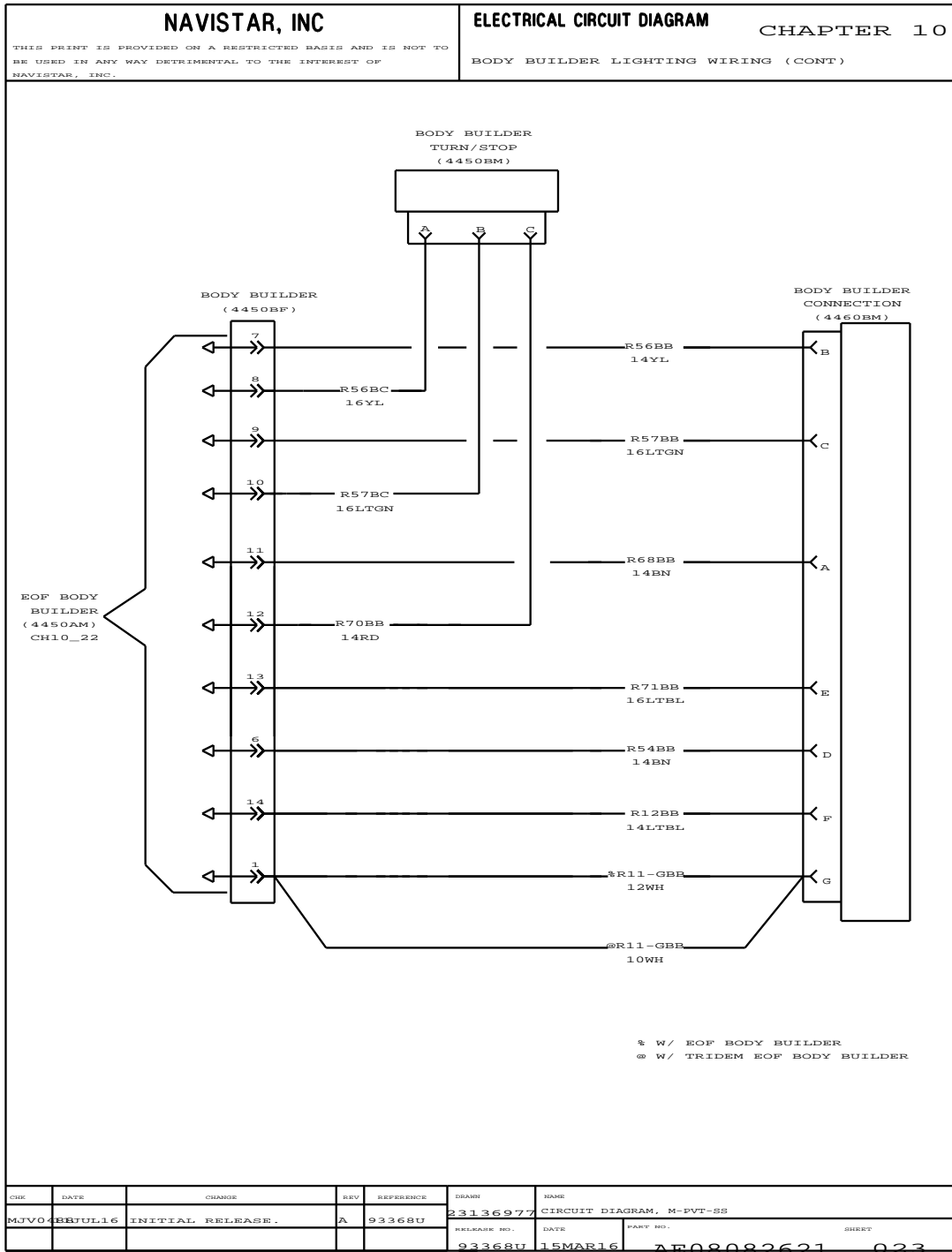


Figure 256 Body Builder Lighting Wiring (Cont.)

10.24. AUXILIARY TRAILER SOCKET WIRING, P. 24

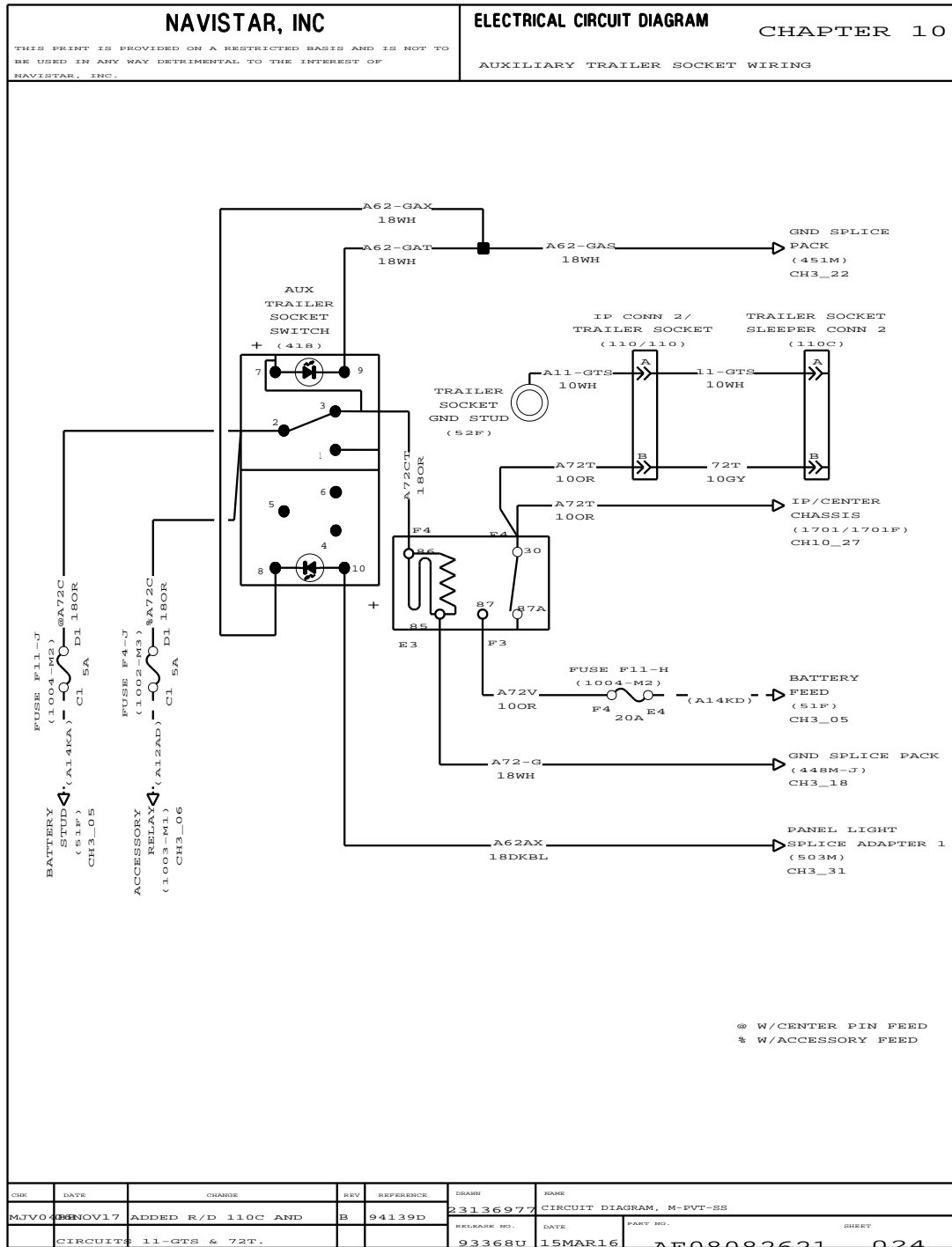


Figure 257 Auxiliary Trailer Socket Wiring

10.25. STANDARD BACK OF CAB (BOC) TRAILER SOCKET WIRING, P. 25

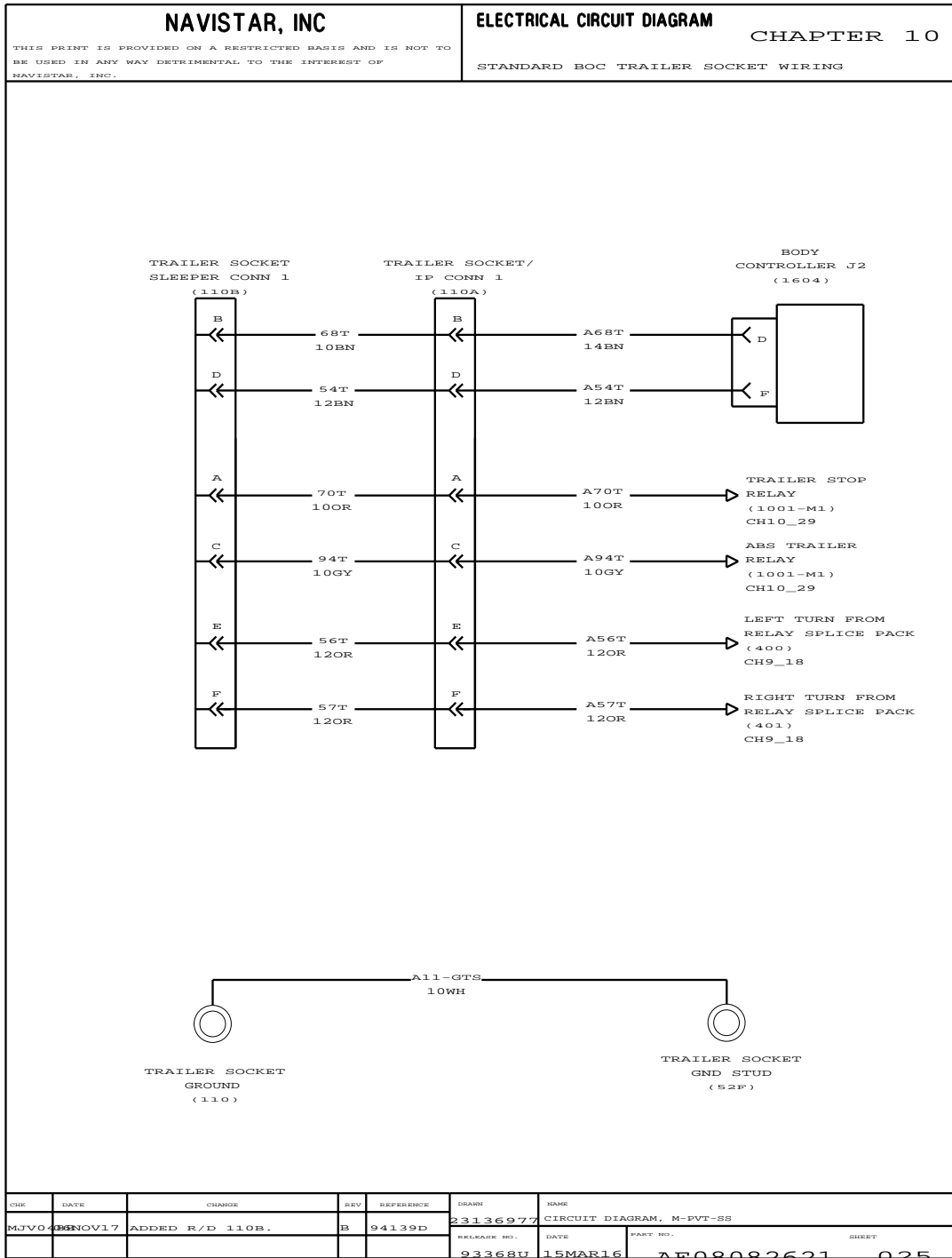


Figure 258 Standard Back of Cab (BOC) Trailer Socket Wiring

10.26. END OF FRAME (EOF) TRAILER SOCKET WIRING, P. 26

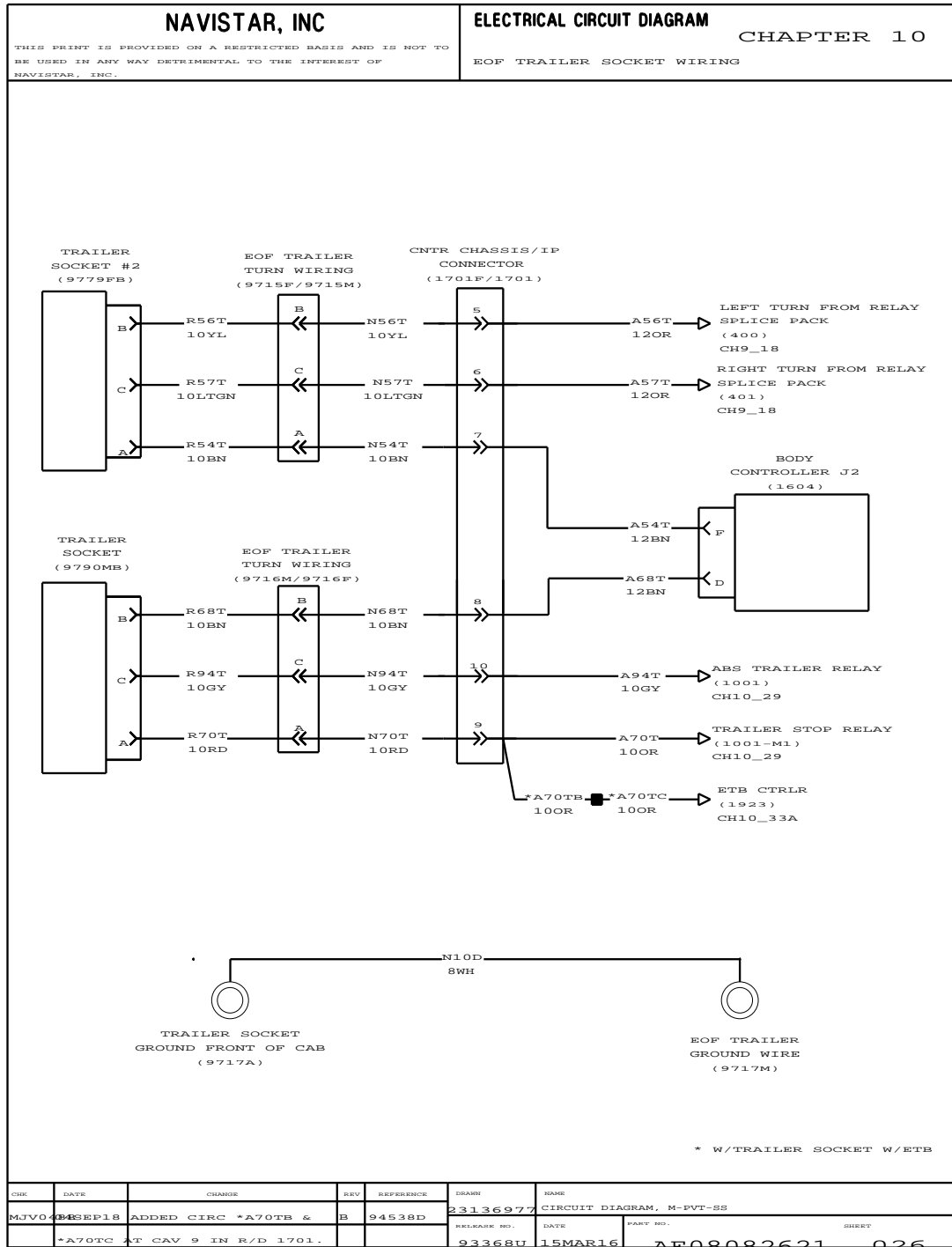


Figure 259 End of Frame (EOF) Trailer Socket Wiring

10.27. STANDARD BOC AND EOF TRAILER SOCKET WIRING, P. 27

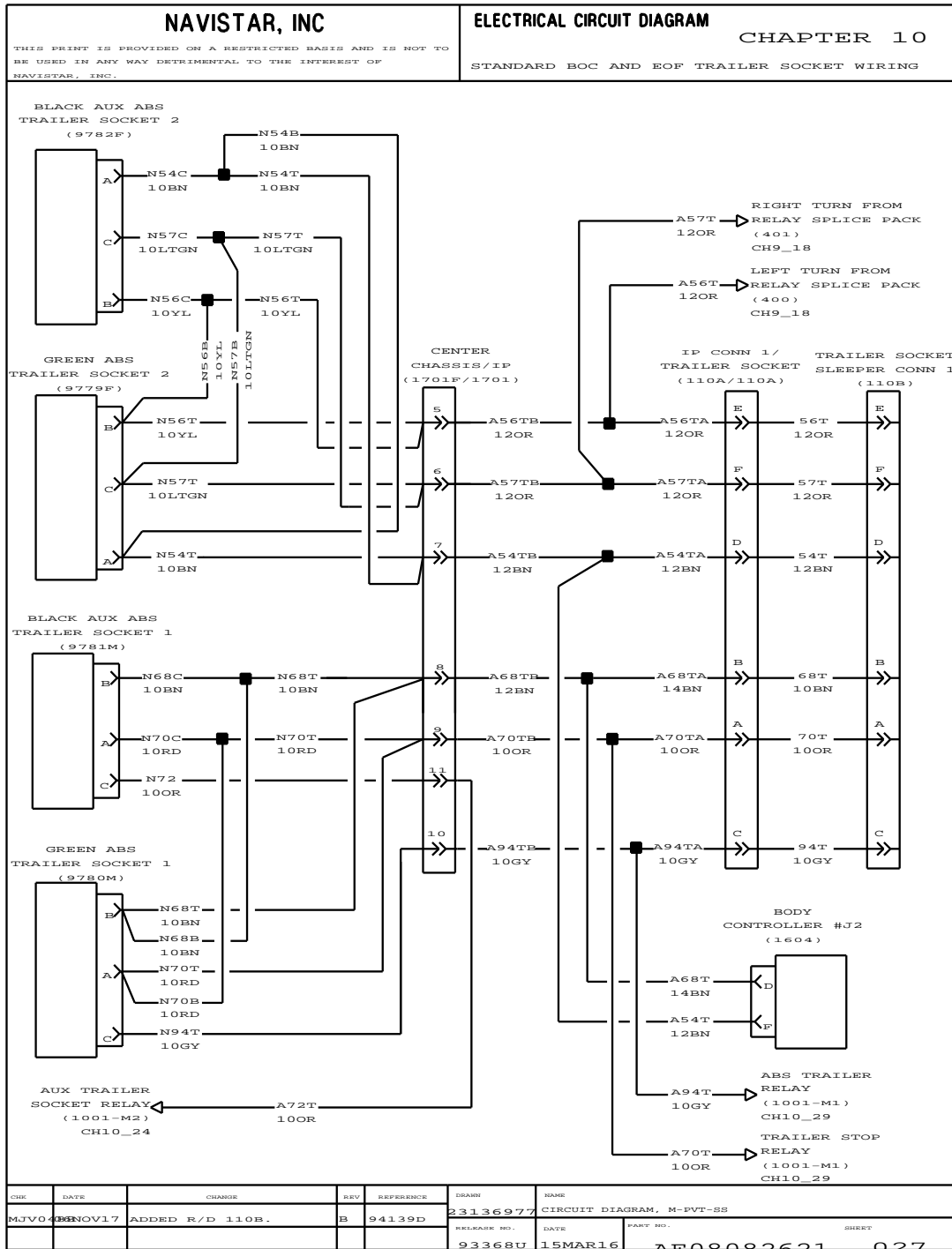


Figure 260 Standard BOC and EOF Trailer Socket Wiring

10.28. TRAILER SOCKET GROUND, P. 28

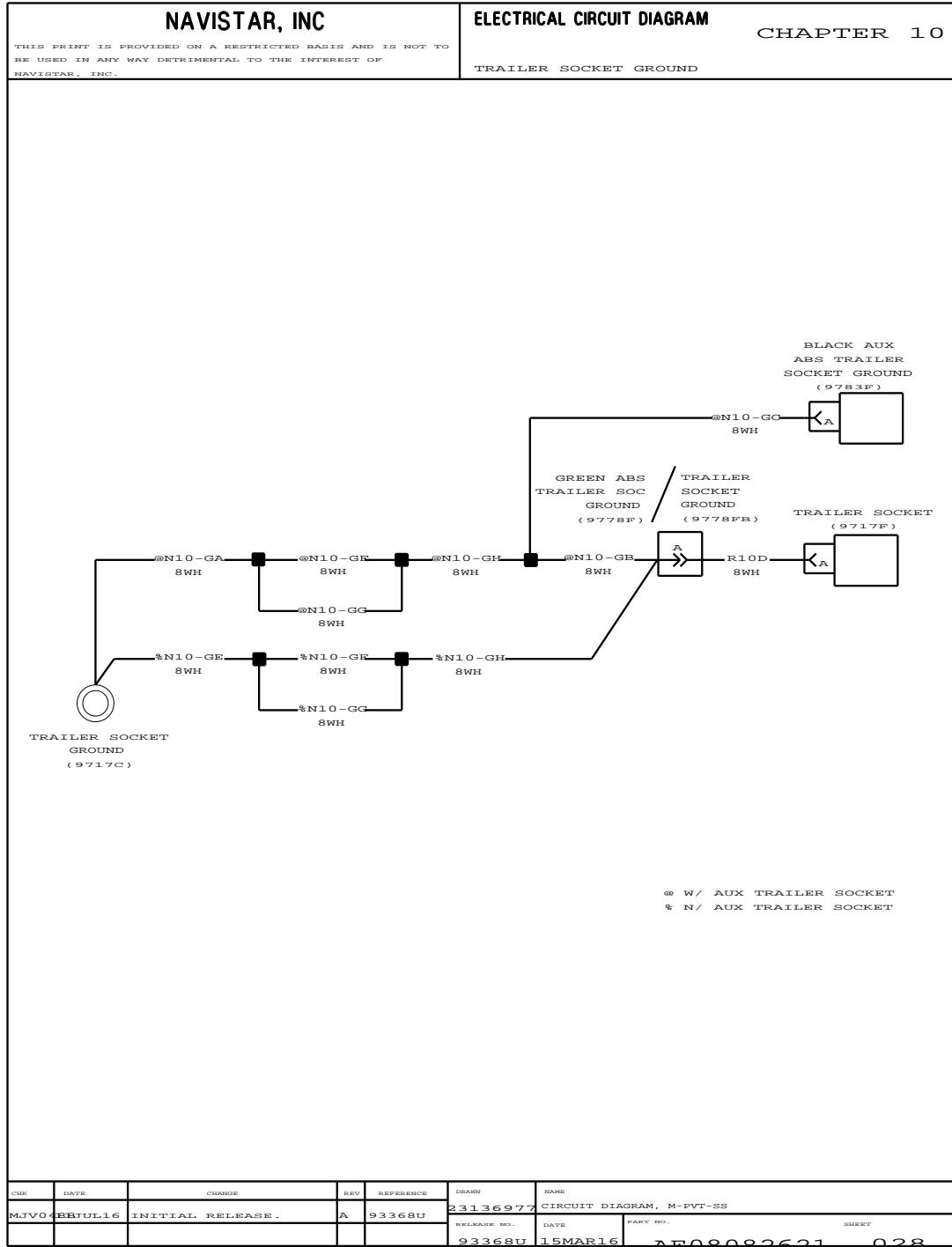


Figure 261 Trailer Socket Ground

10.29. TRAILER STOP AND ABS TRAILER RELAY, P. 29

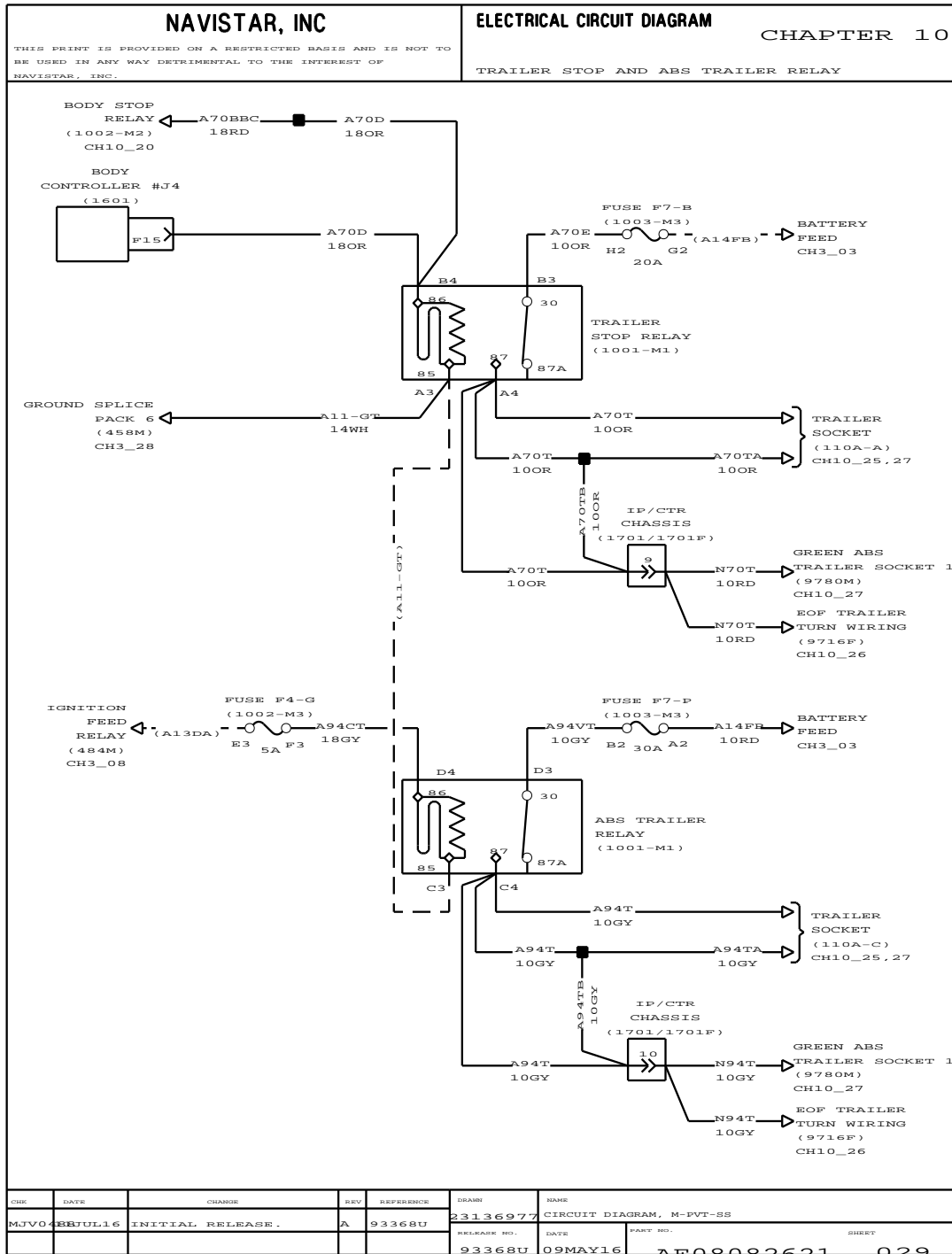


Figure 262 Trailer Stop and ABS Trailer Relay

10.30. BENDIX WINGMAN ADVANCED WIRING, P. 30

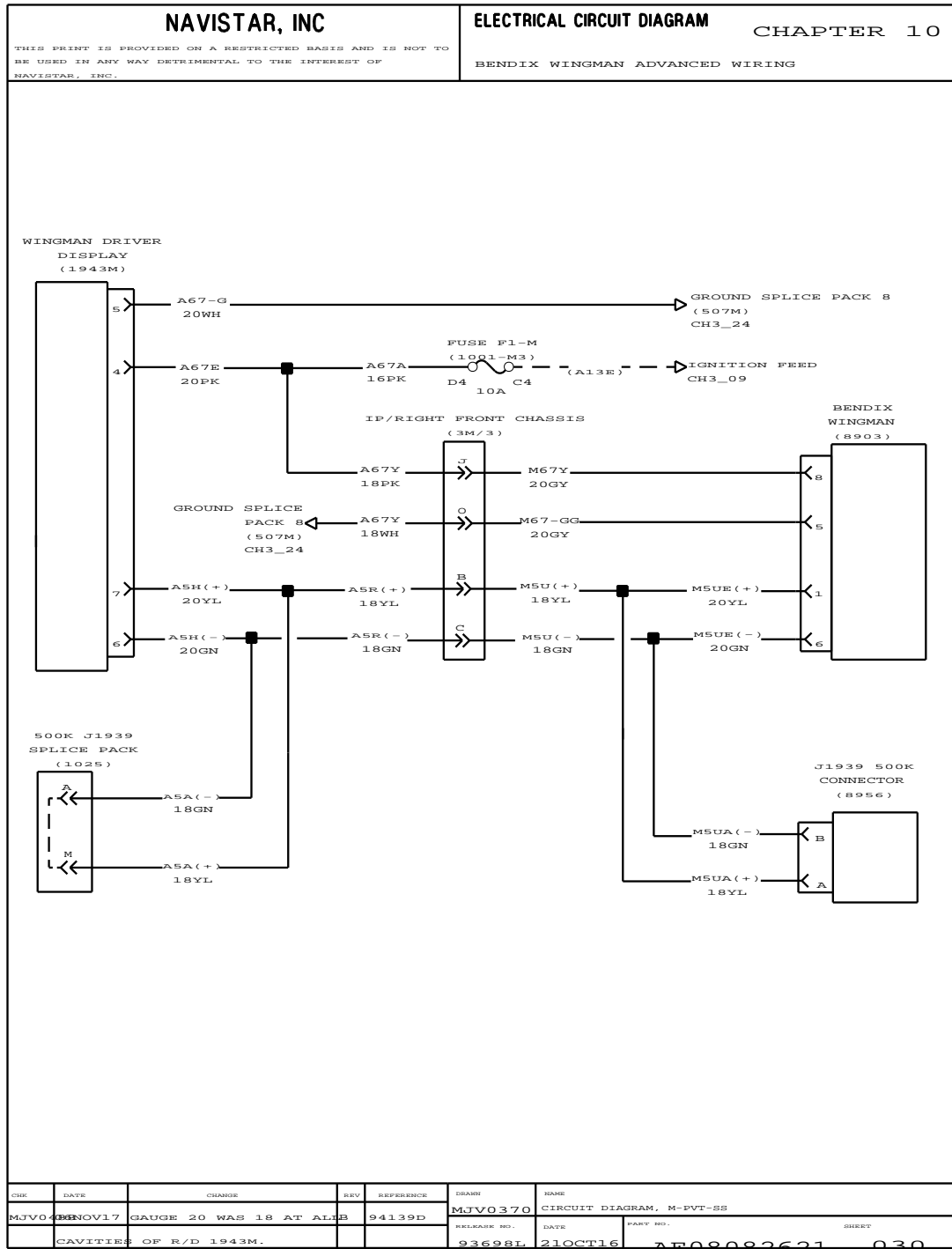


Figure 263 Bendix Wingman Advanced Wiring

10.31. SLEEPER BOX WITH TRAILER SOCKET, P. 31

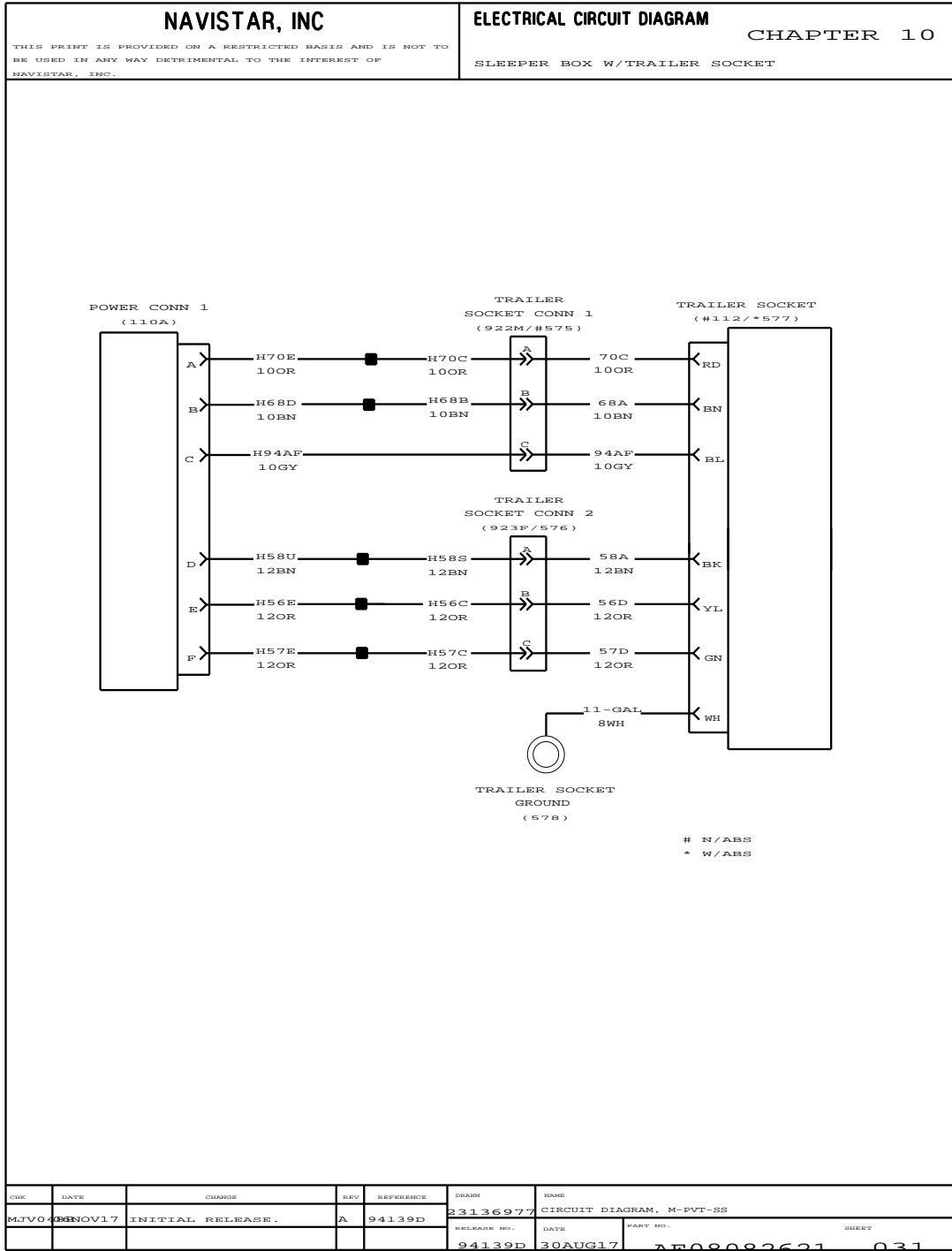


Figure 264 Sleeper Box with Trailer Socket

10.32. SLEEPER BOX WITH TRAILER SOCKET (CONT.), P. 32

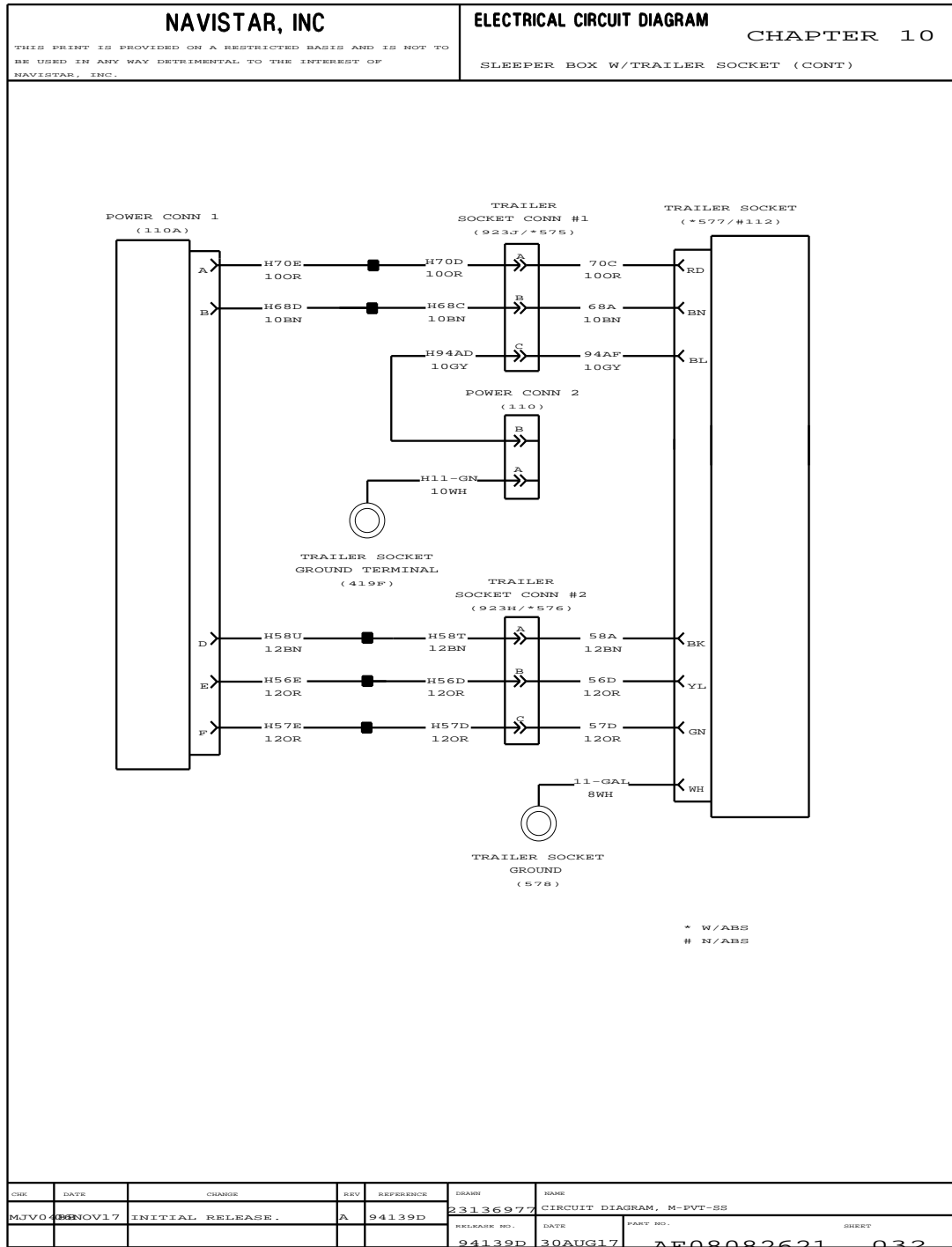


Figure 265 Sleeper Box with Trailer Socket (Cont.)

10.33. TRAILER SOCKET WITH AUXILIARY 7 WAY, P. 33

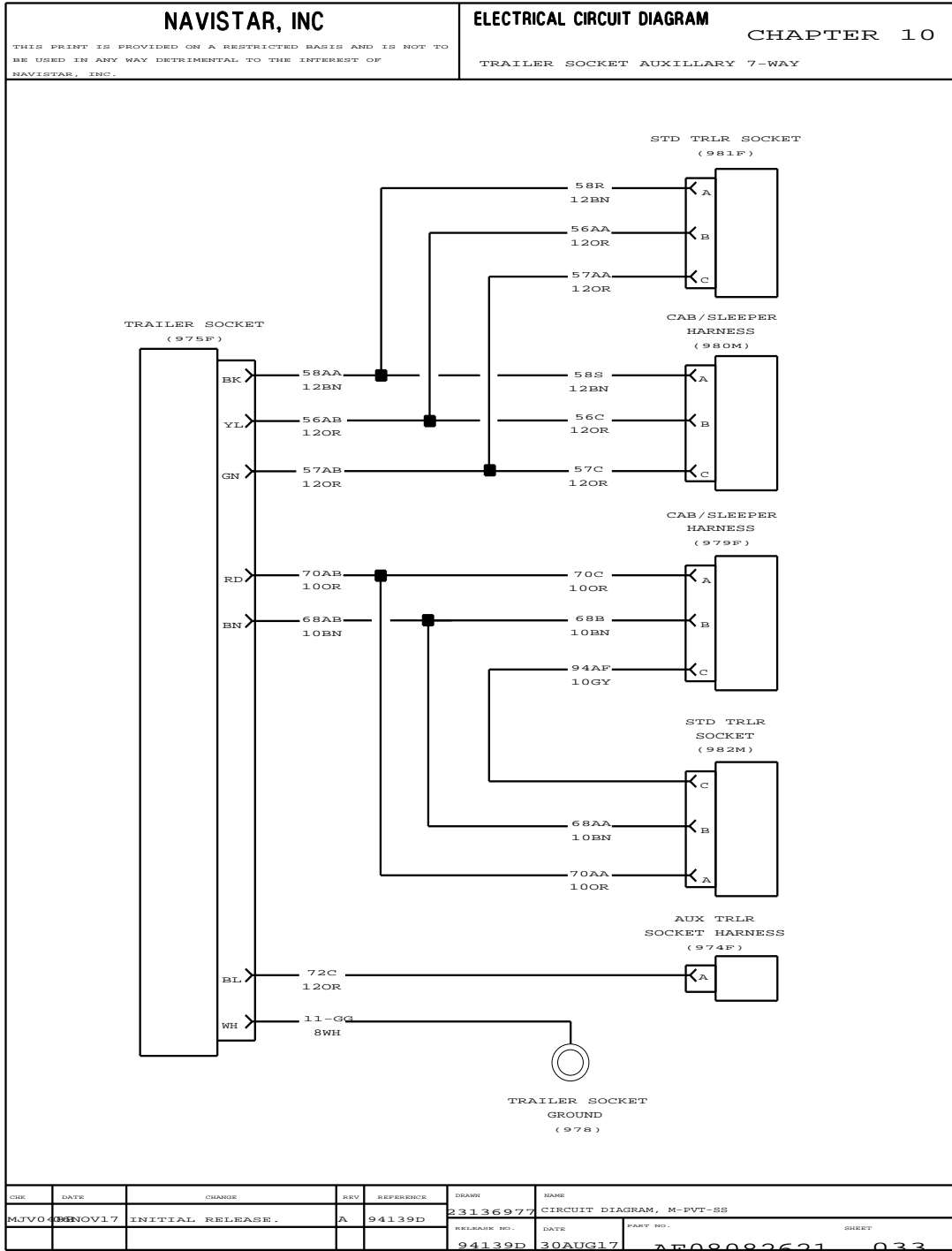


Figure 266 Trailer Socket with Auxiliary 7 Way

10.34. TRAILER SOCKET WITH ETB, P. 33A

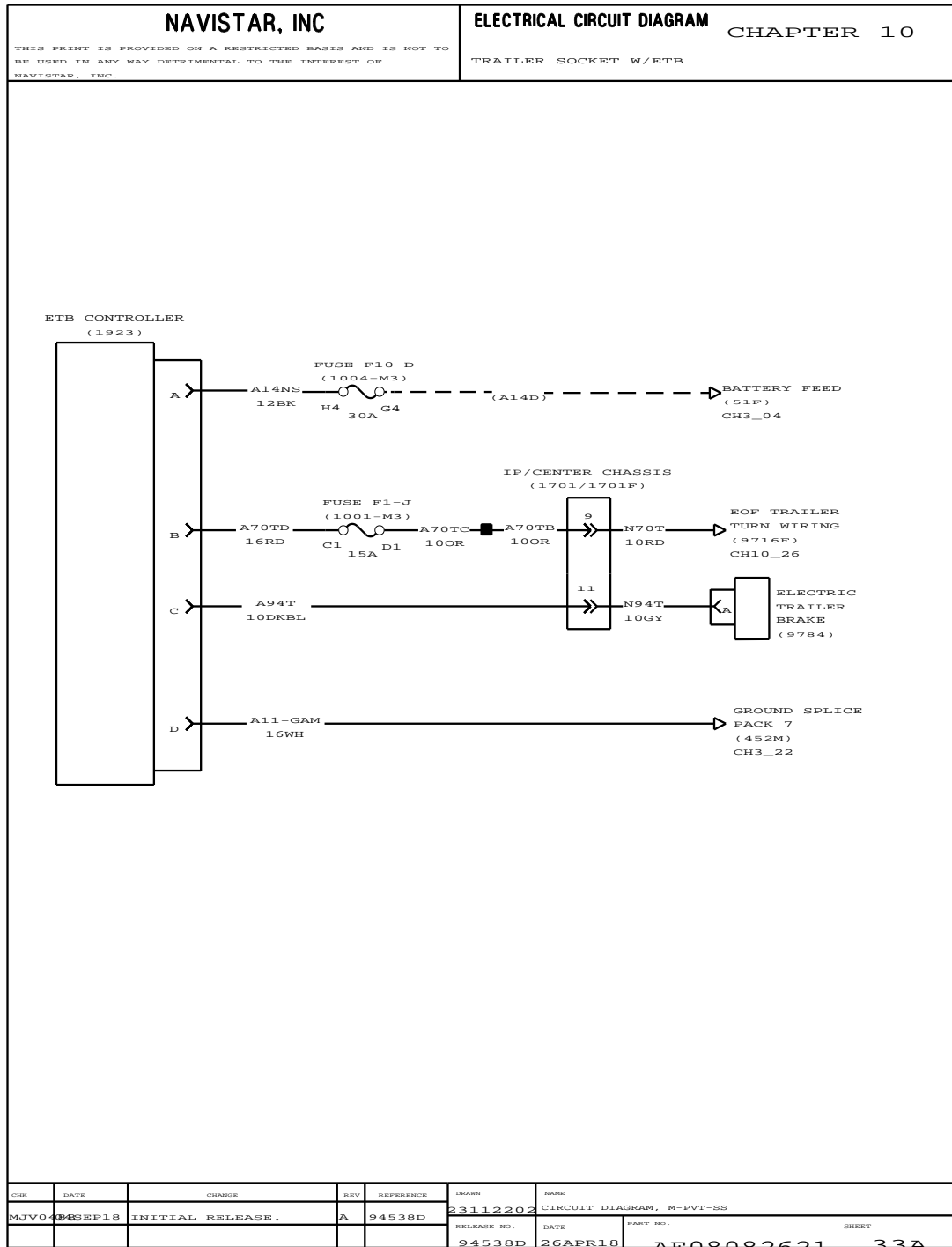


Figure 267 Trailer Socket with ETB

10.35. BENDIX FUSION WIRING, P. 34

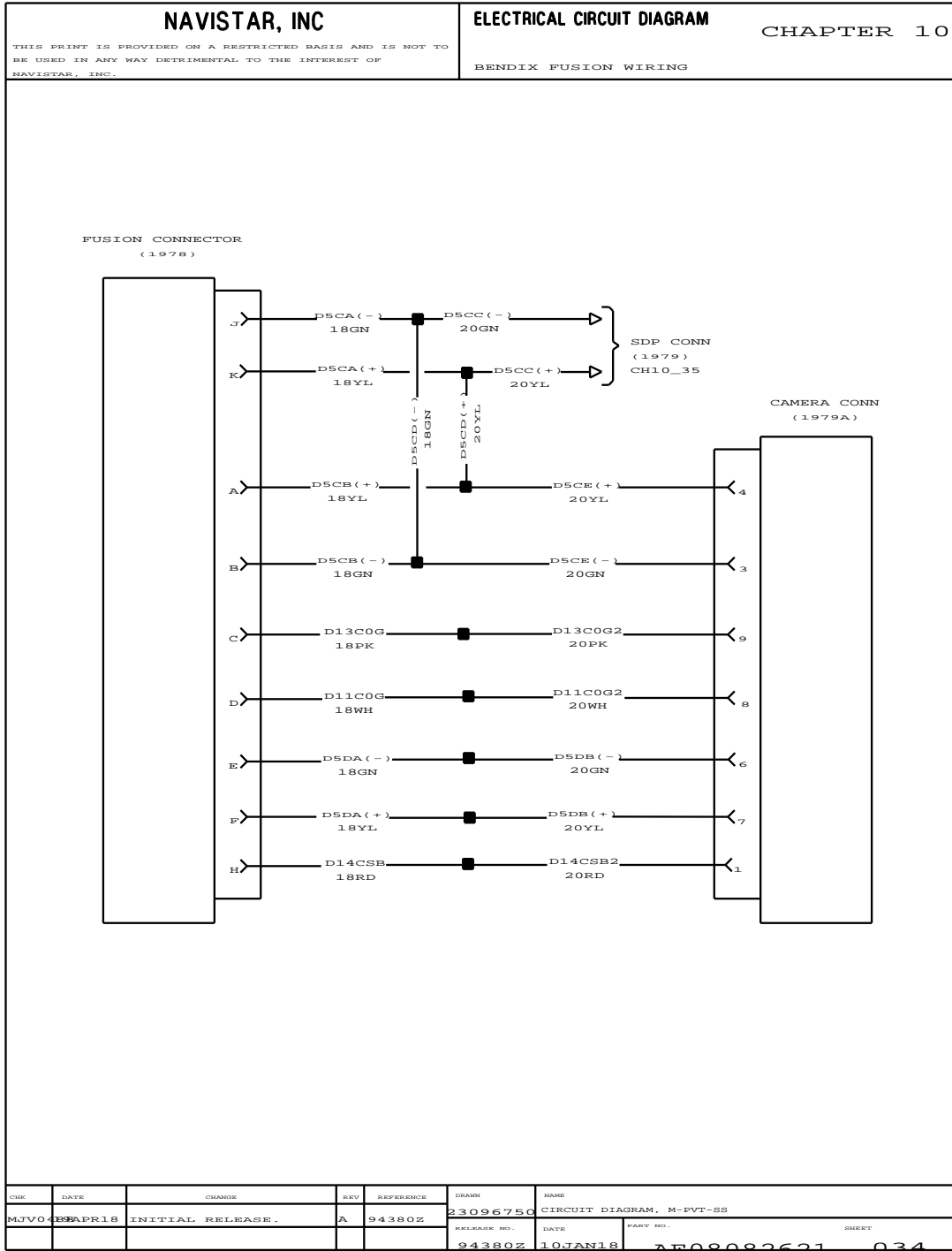


Figure 268 Bendix Fusion Wiring

10.36. BENDIX FUSION WIRING (CONT), P. 35

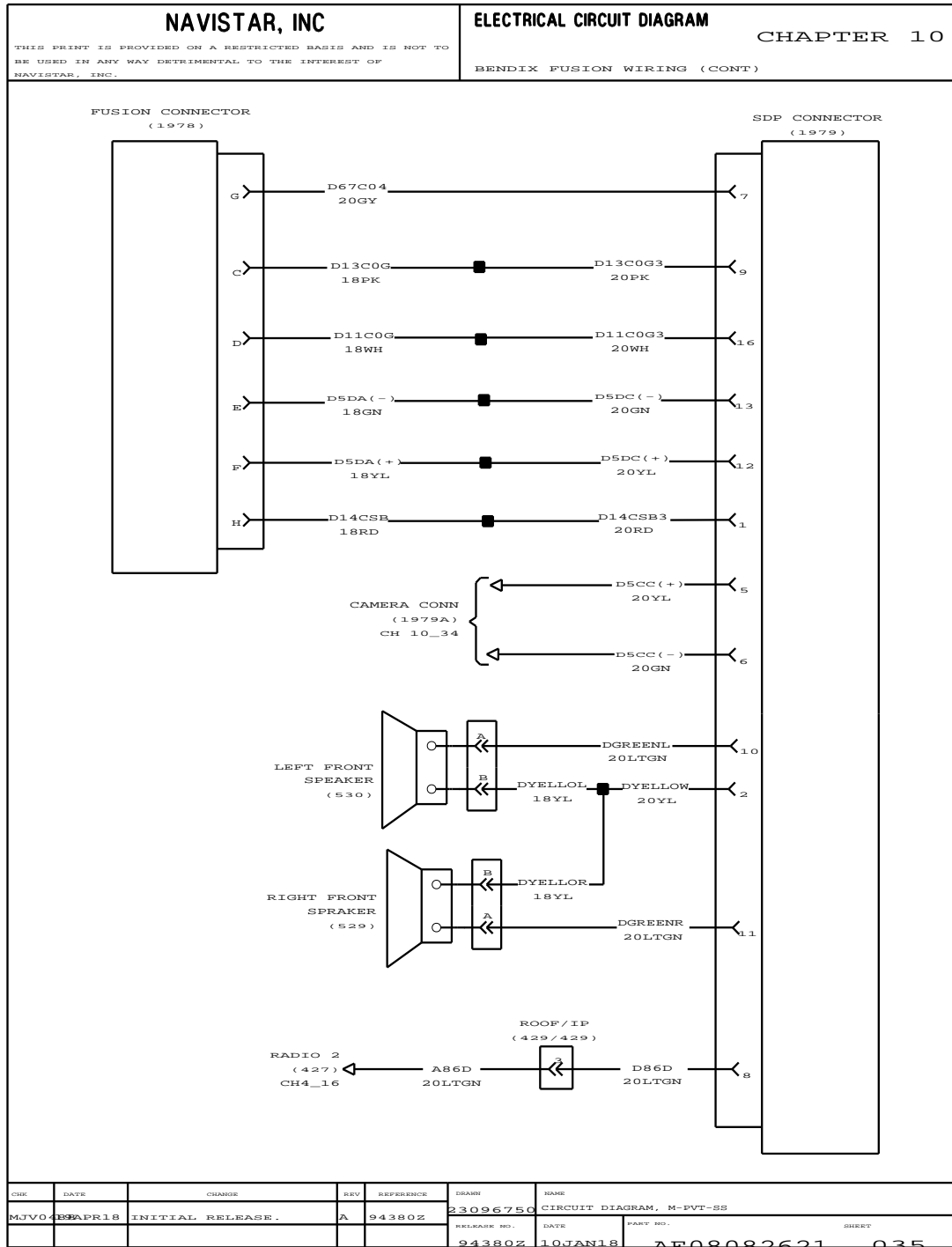


Figure 269 Bendix Fusion Wiring (Cont)

10.37. BENDIX FUSION WIRING (CONT), P. 36

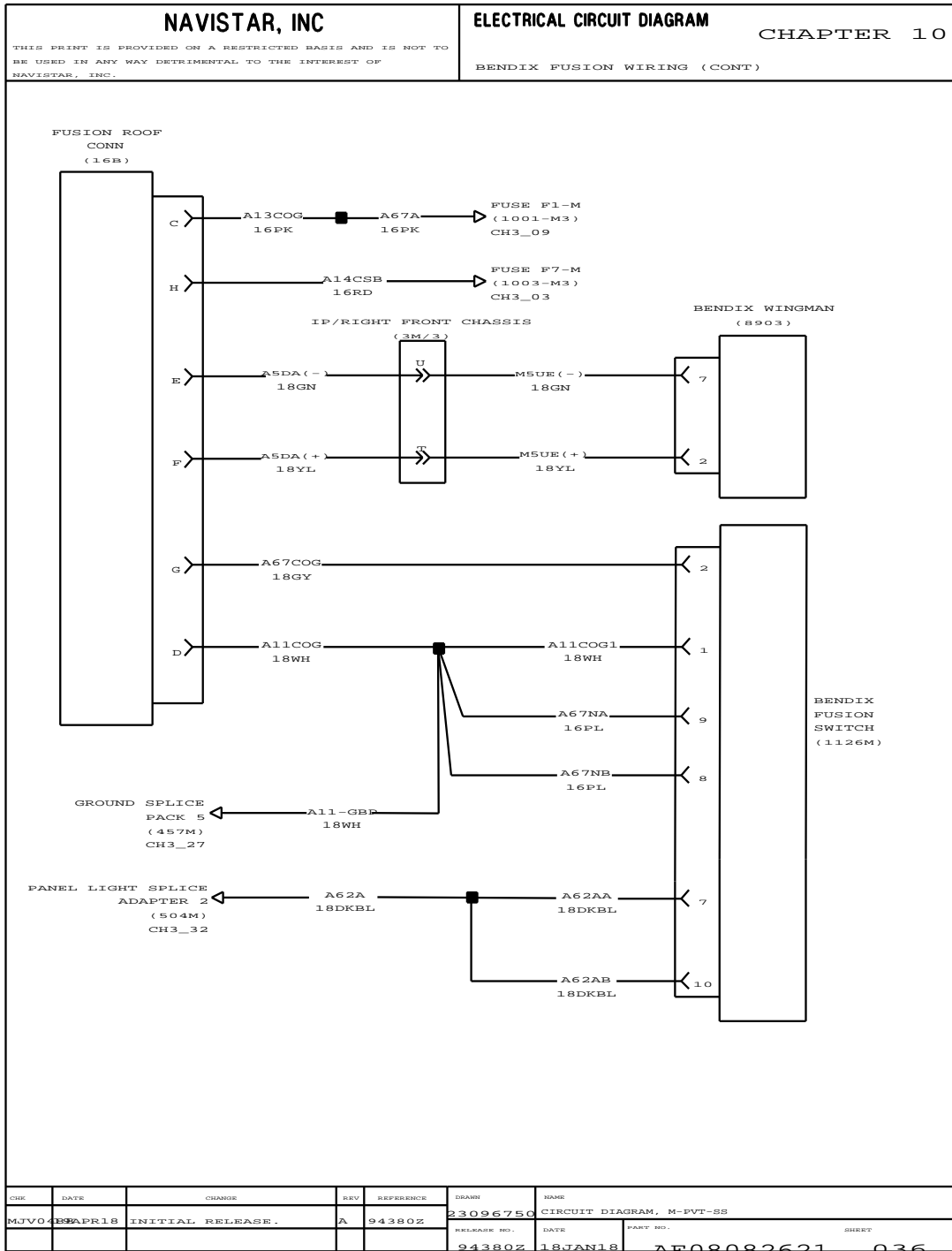


Figure 270 Bendix Fusion Wiring (Cont)

10.38. J1939 DATALINK WITH BENDIX FUSION, P. 37

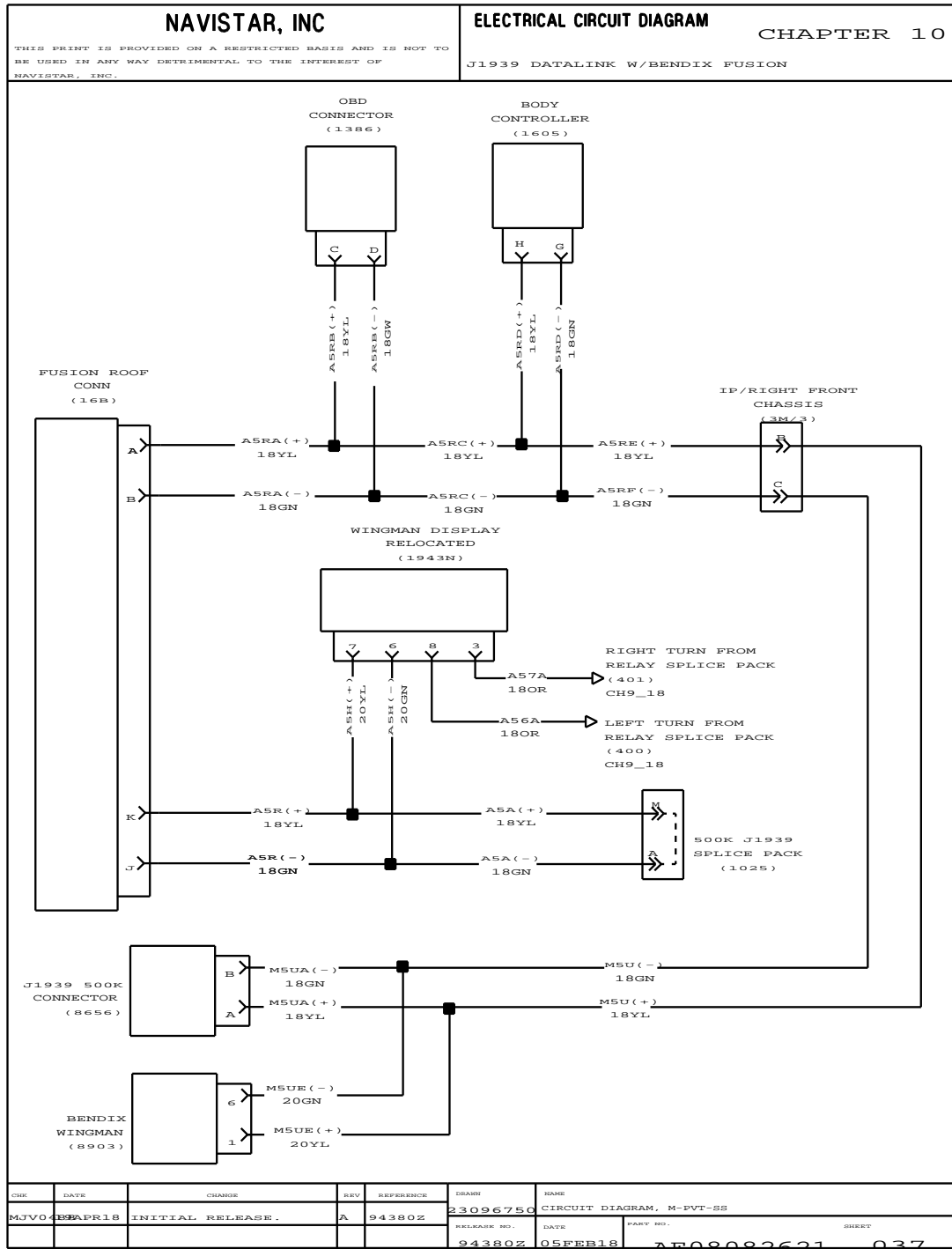


Figure 271 J1939 Datalink with Bendix Fusion

10.39. BENDIX FUSION POWER & GROUND TO DIU, P. 38

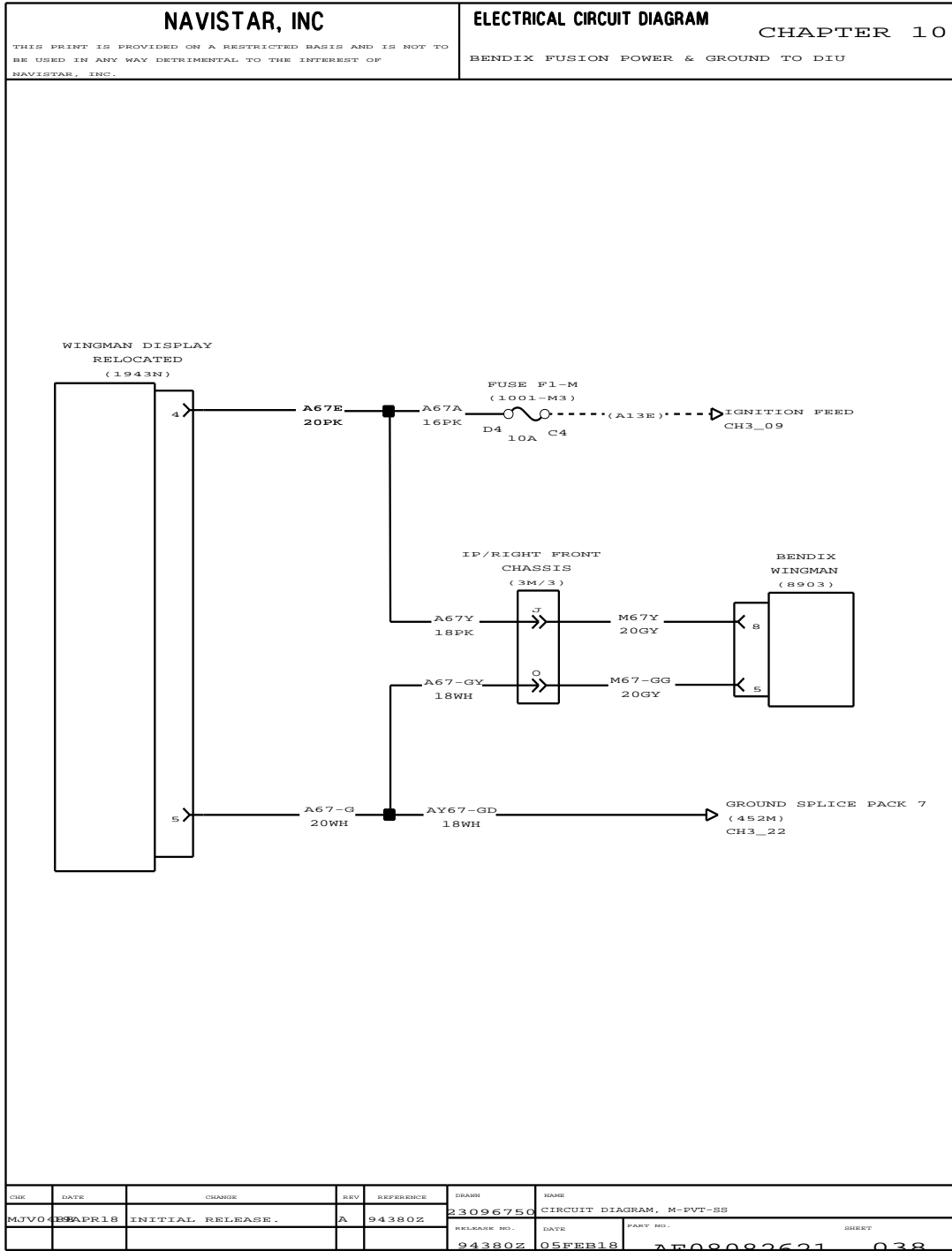


Figure 272 Bendix Fusion Power & Ground to DIU

10.40. LIFT AXLE WIRING, WITH AUTO RAISE IN REVERSE, P. 39

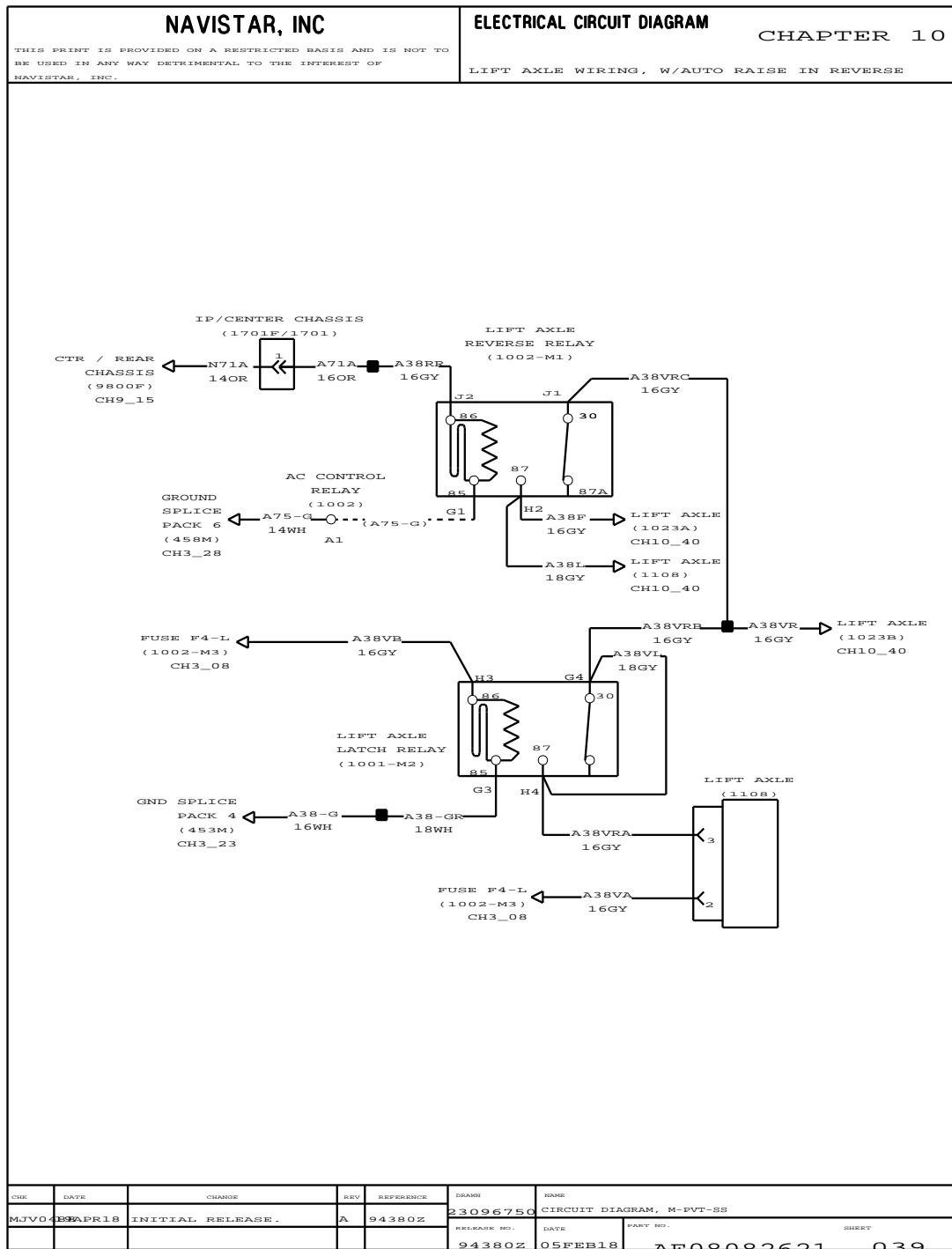


Figure 273 Lift Axle Wiring, with Auto Raise in Reverse

10.41. LIFT AXLE WIRING, WITH 2 AXLES AND AUTO RAISE IN REVERSE, P. 40

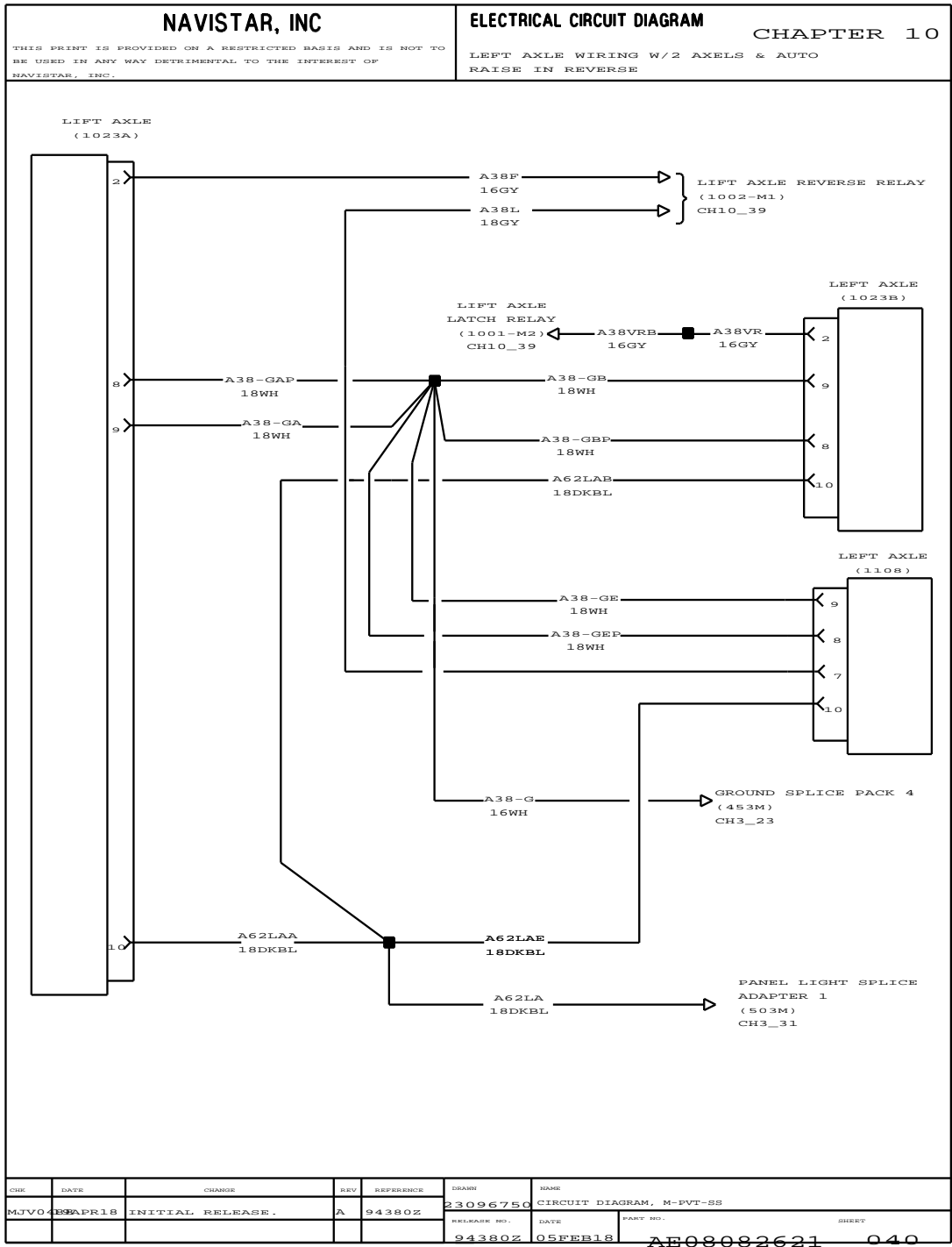


Figure 274 Lift Axle Wiring, with 2 Axles and Auto Raise in Reverse

TRANSMISSION CONTROL MODULE (CHAPTER 11)

11.1. ALLISON TRANSMISSION, P. 1

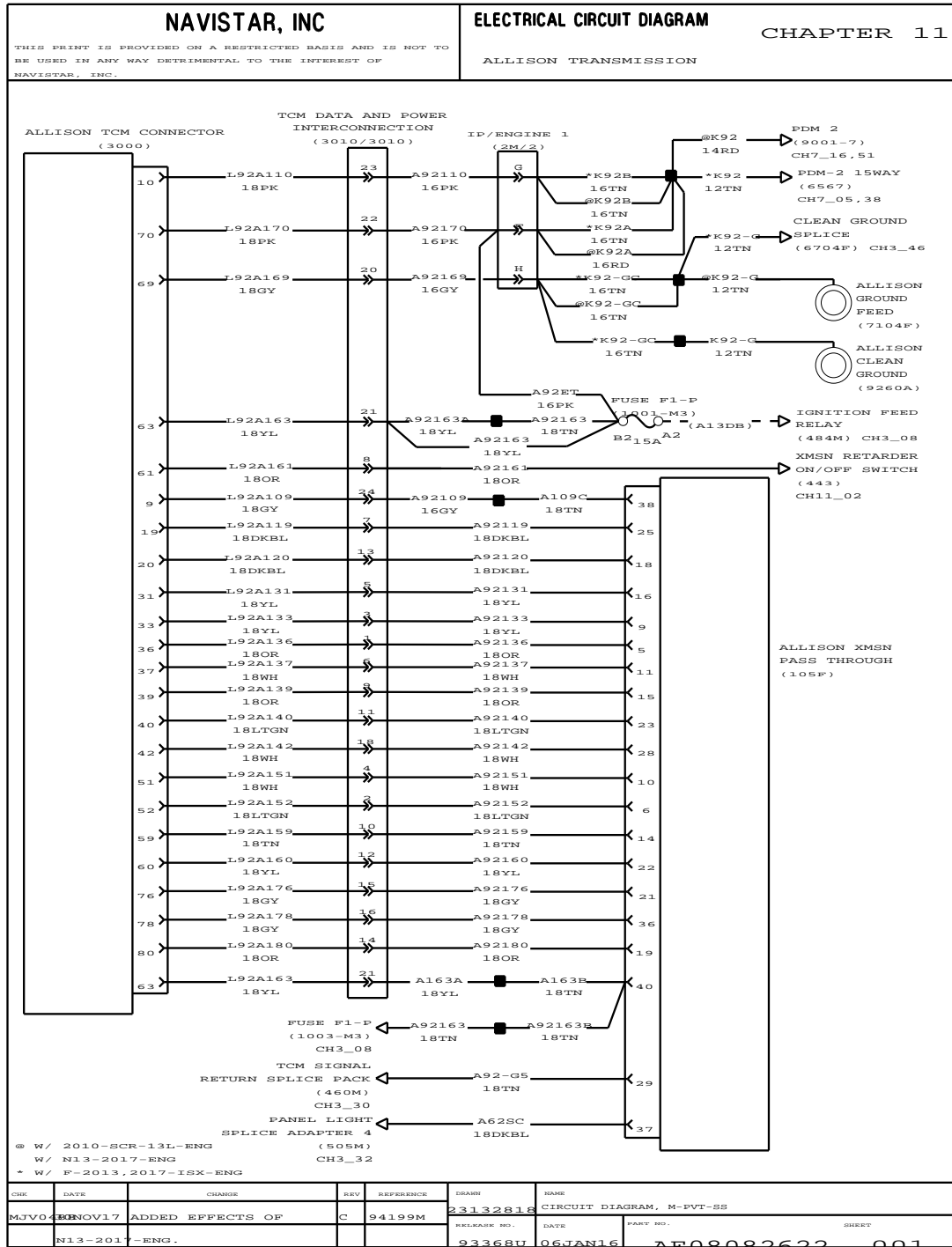


Figure 275 Allison Transmission

11.2. ALLISON TRANSMISSION (CONT.), P. 2

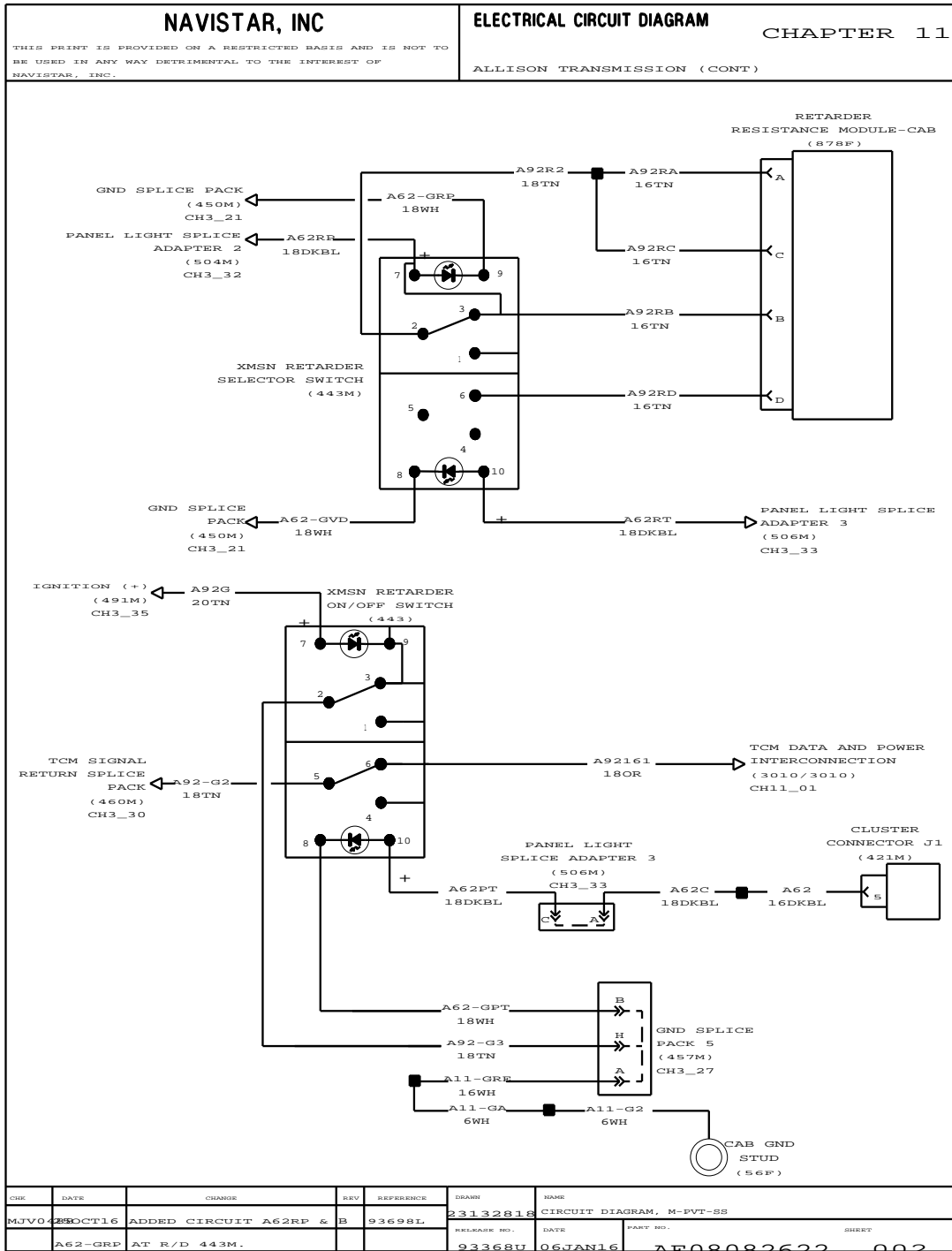


Figure 276 Allison Transmission (Cont.)

11.3. ALLISON TRANSMISSION (CONT.), P. 3

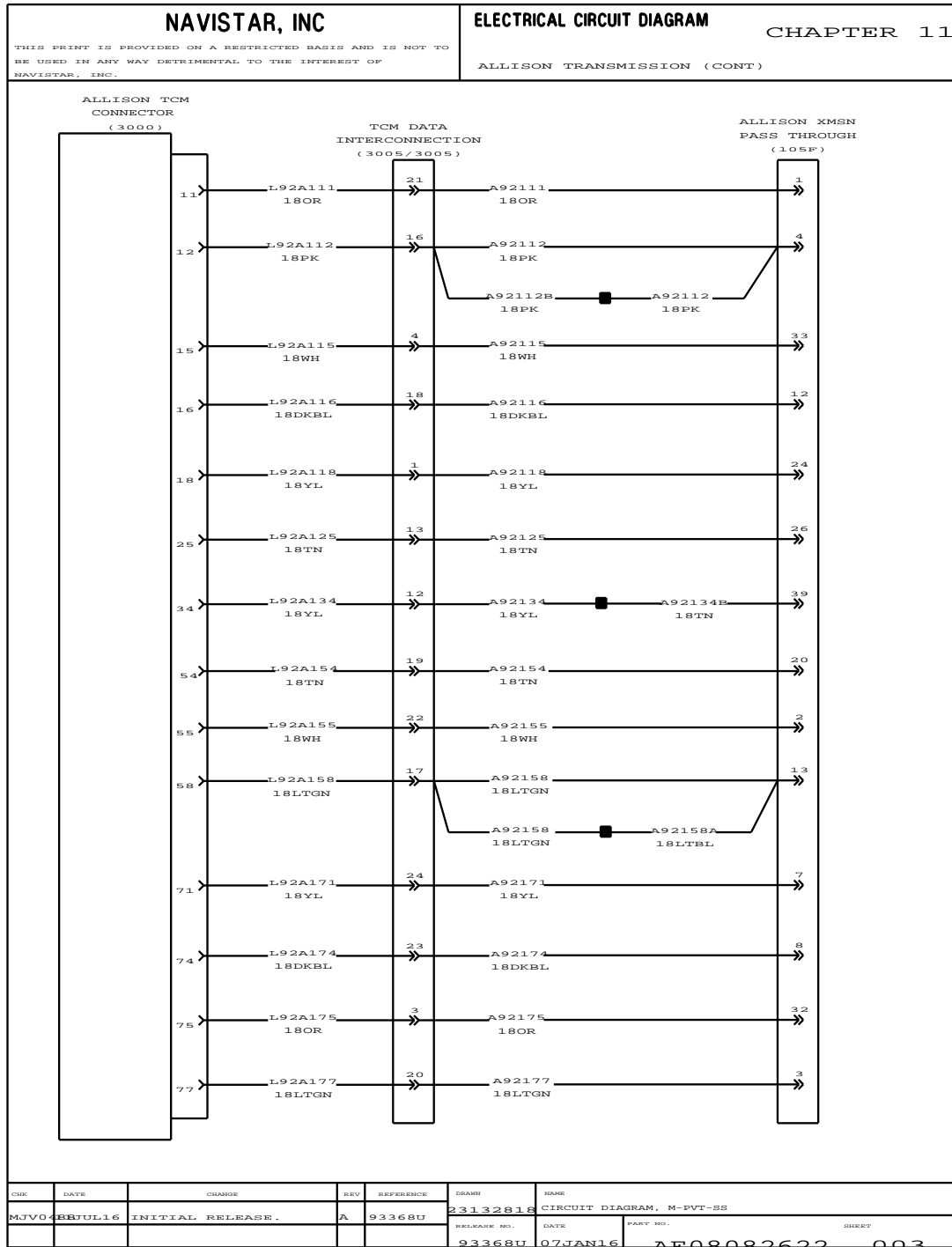


Figure 277 Allison Transmission (Cont.)

11.4. ALLISON TRANSMISSION (CONT.), P. 4

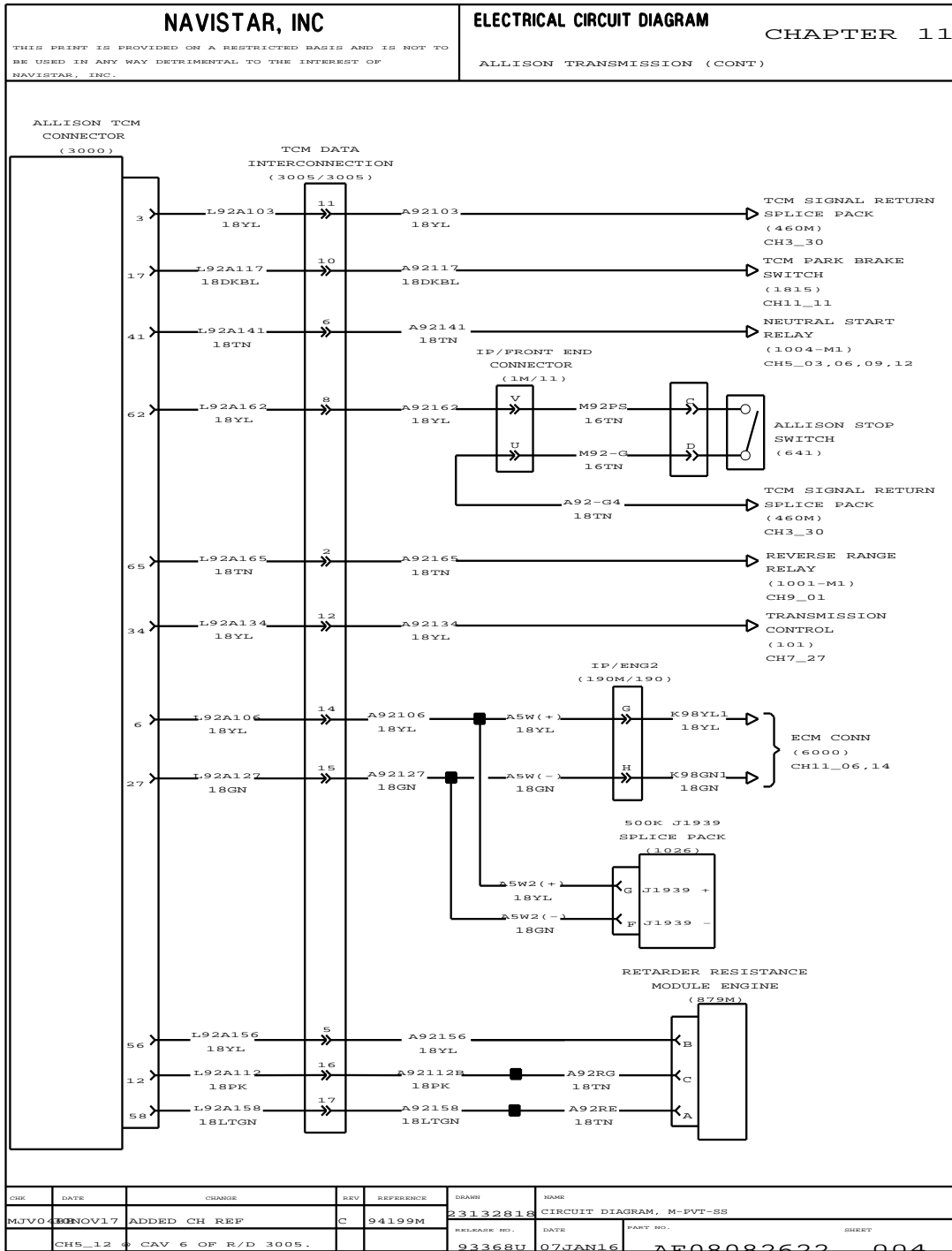


Figure 278 Allison Transmission (Cont.)

11.5. ALLISON TRANSMISSION WITH 500K WITH EOF SHIFTER WITH F-2013-ISX ENGINE, P. 5

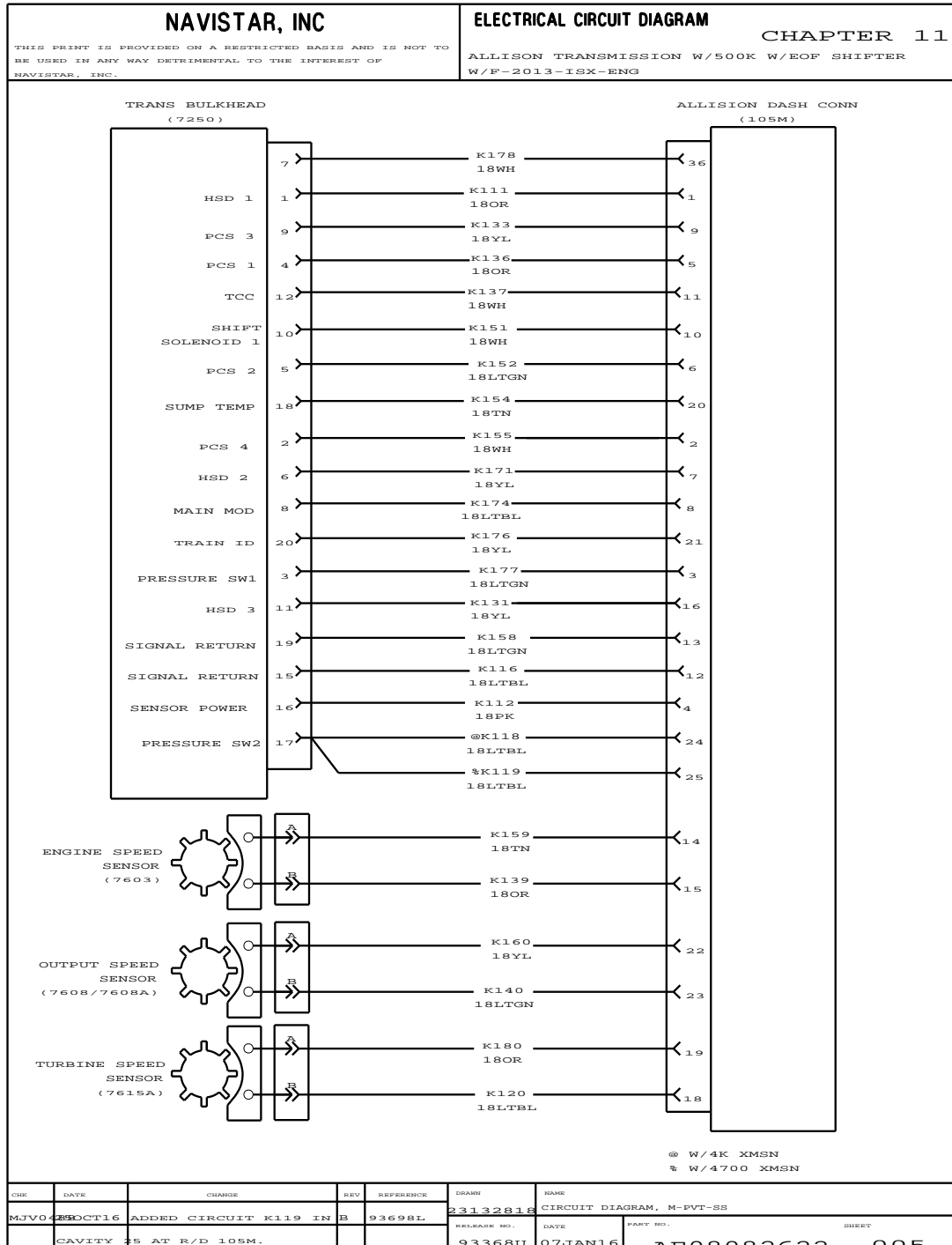


Figure 279 Allison Transmission with 500K with EOF Shifter with F-2013-ISX Engine

11.6. ALLISON TRANSMISSION WITH 500K WITH RETARDER WITH EOF SHIFTER WITH F-2013-ISX ENGINE, P. 6

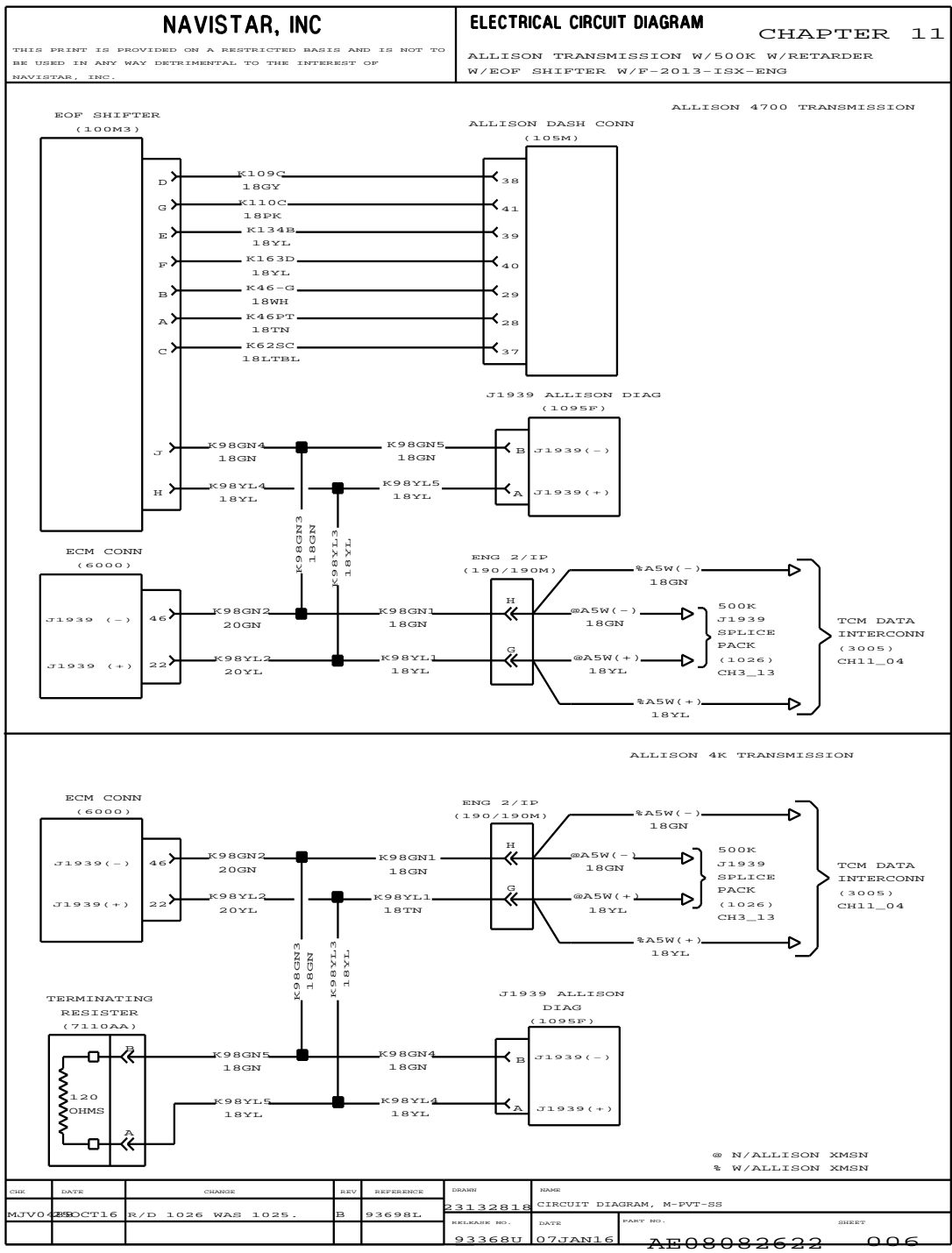


Figure 280 Allison Transmission with 500K with Retarder with EOF Shifter with F-2013-ISX Engine

11.7. ALLISON TRANSMISSION WITH 500K WITH RETARDER WITHOUT EOF SHIFTER WITH F-2013-ISX ENGINE, P. 7

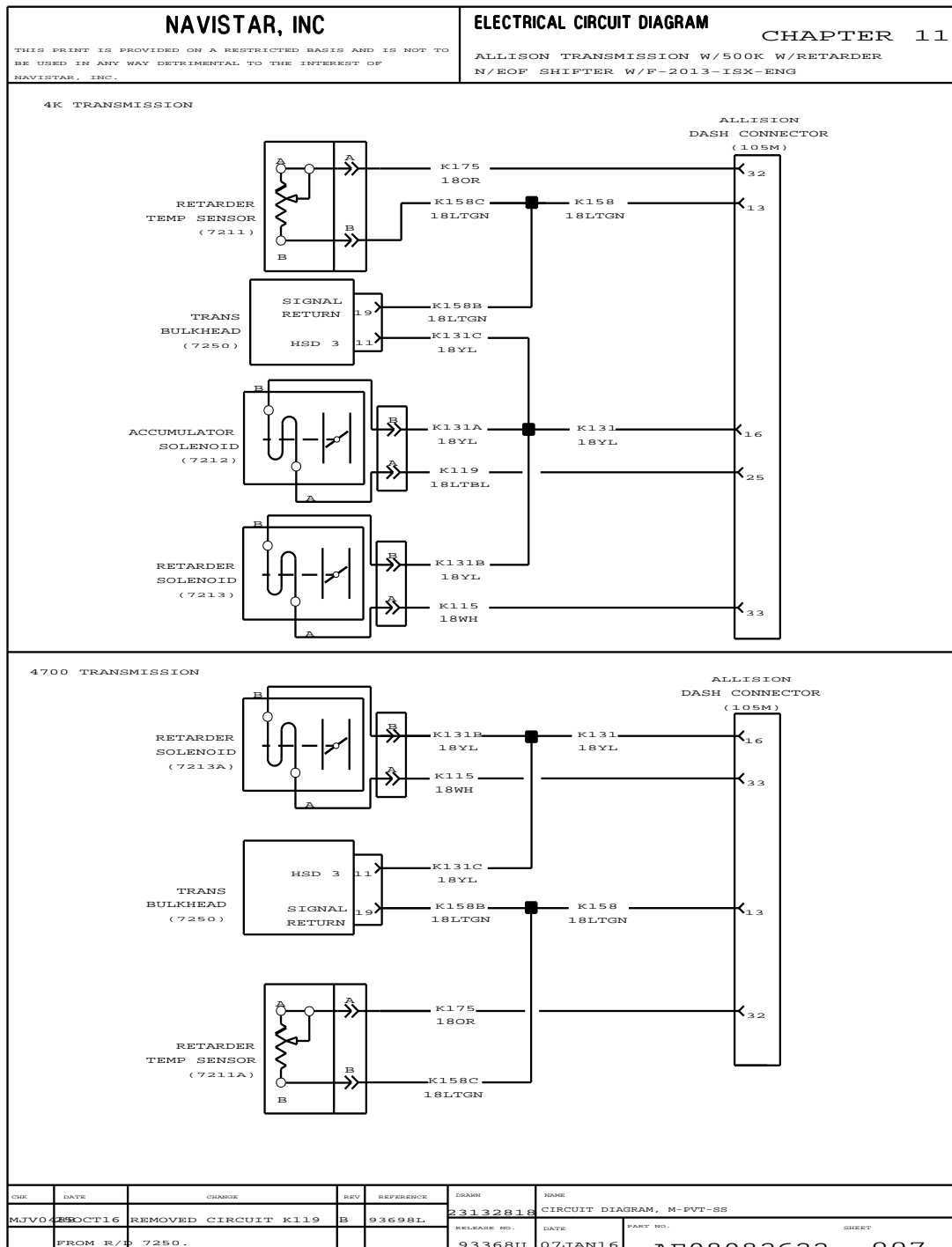


Figure 281 Allison Transmission with 500K with Retarder without EOF Shifter with F-2013-ISX Engine

11.8. ULTRASHIFT TRANSMISSION WITH 500K WITH F-2013-ISX ENGINE, P. 8

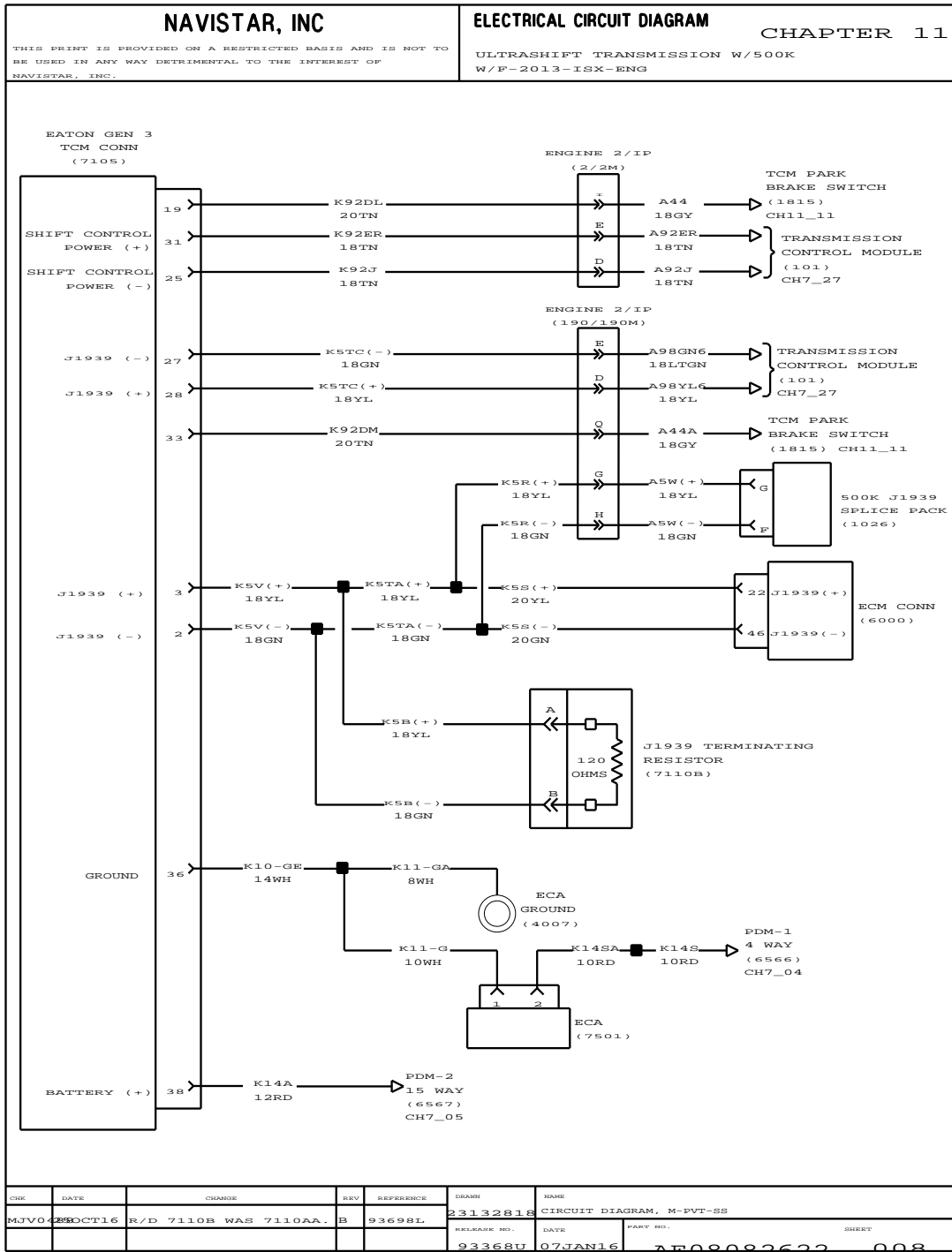


Figure 282 Ultrashift Transmission with 500K with F-2013-ISX Engine

11.9. MANUAL TRANSMISSION WITH F-2013-ISX ENGINE, P. 9

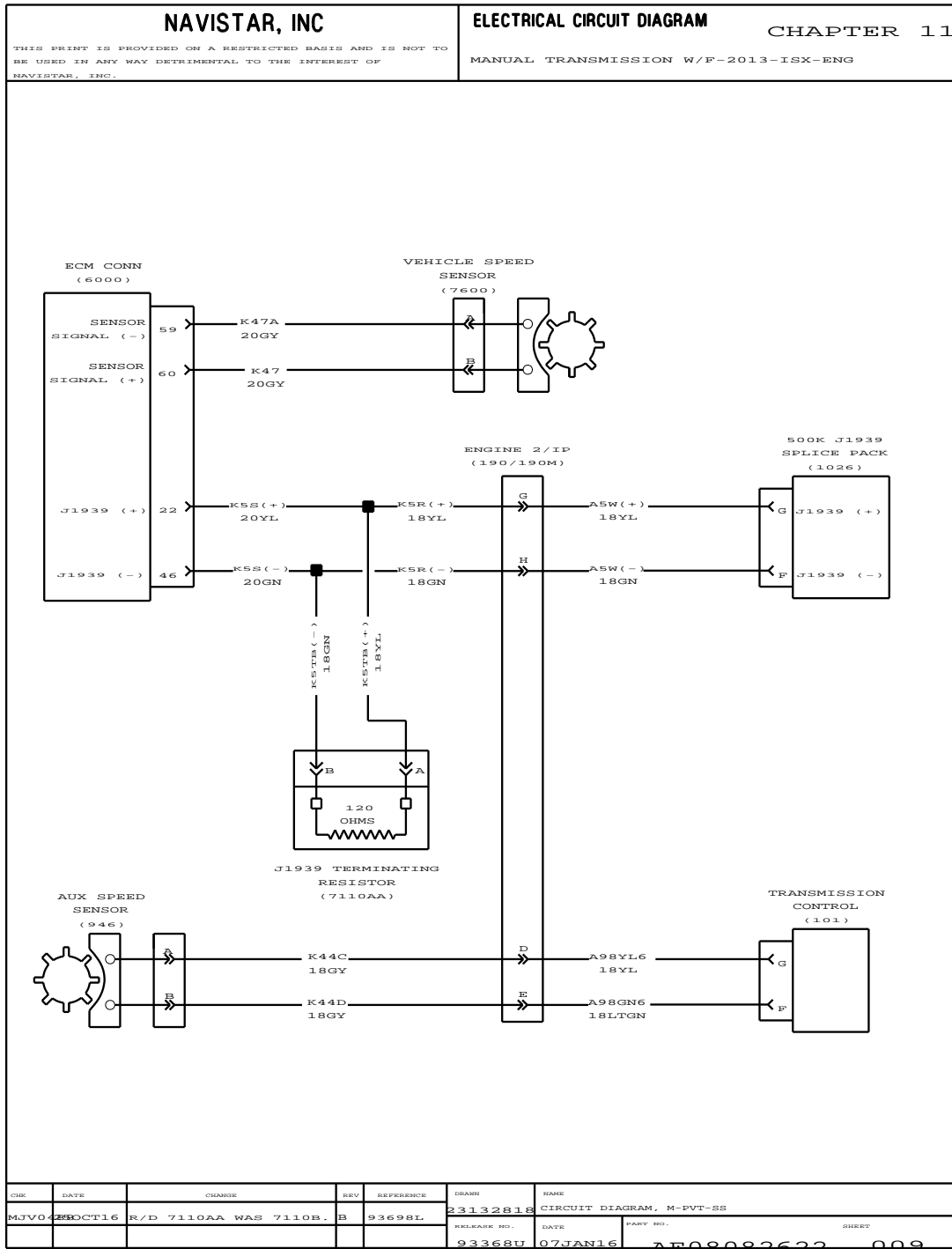


Figure 283 Manual Transmission with F-2013-ISX Engine

11.10. ALLISON TRANSMISSION WITH N13 ENGINE, P. 10

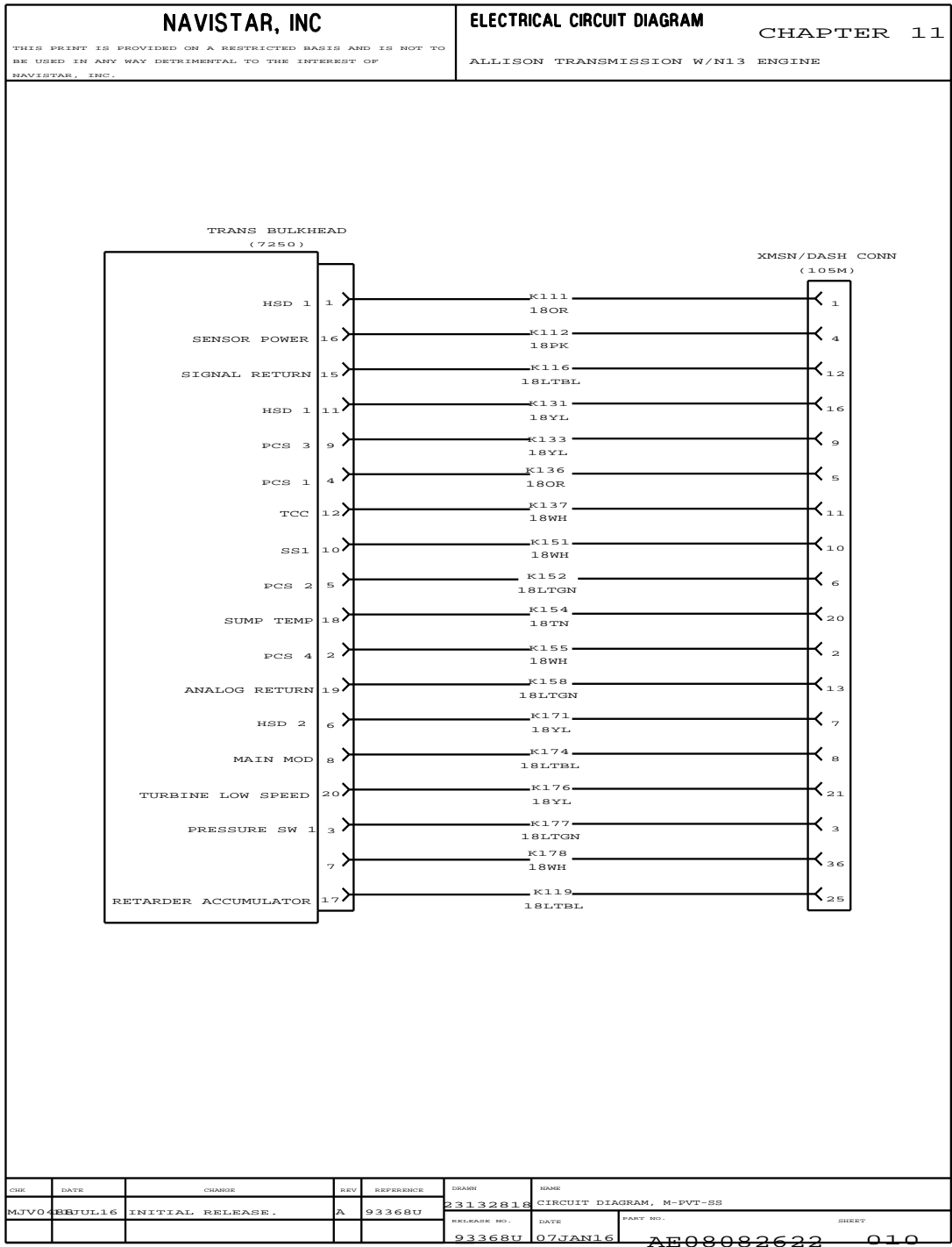


Figure 284 Allison Transmission with N13 Engine

11.11. ALLISON TRANSMISSION WITH N13 ENGINE (CONT.), P. 11

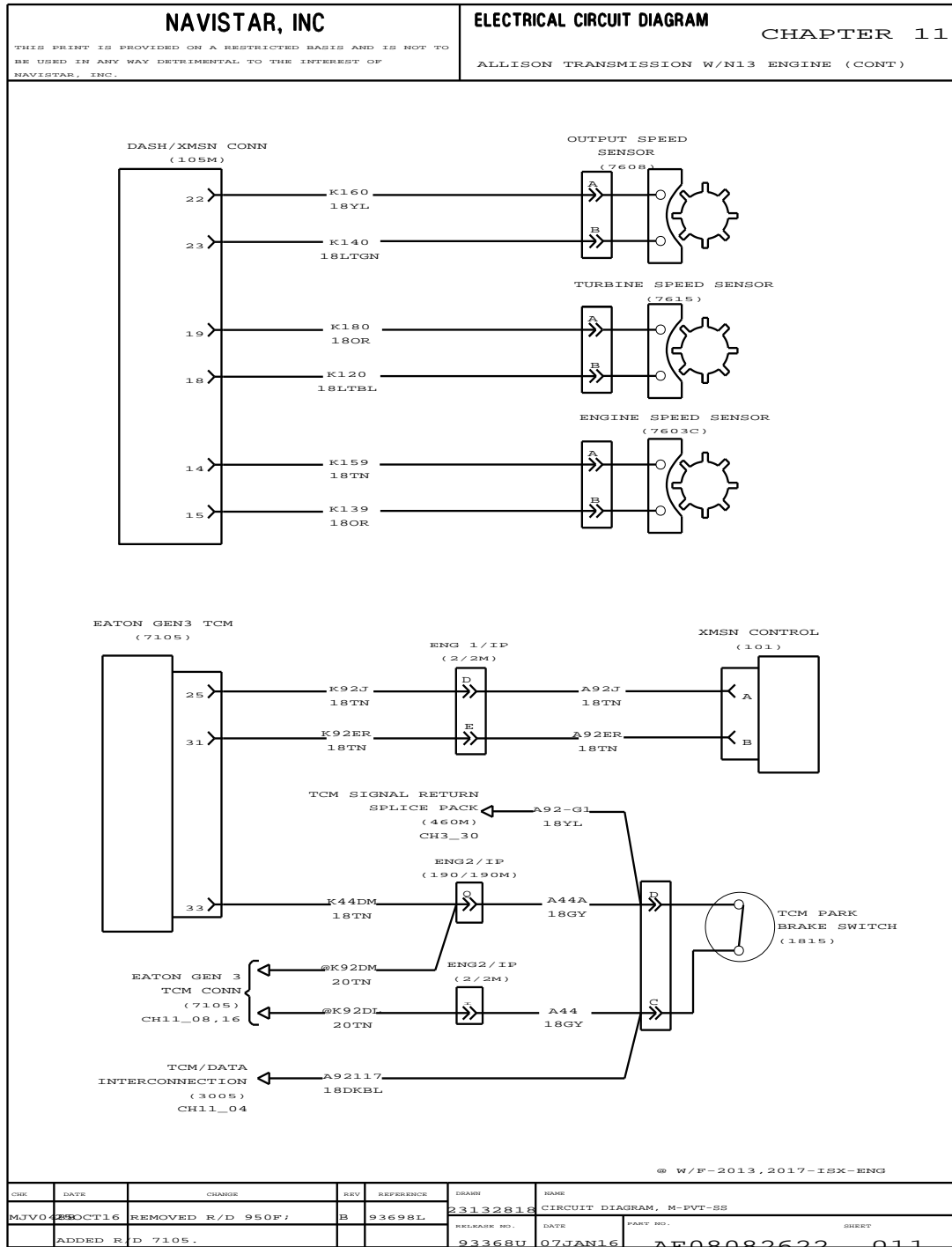


Figure 285 Allison Transmission with N13 Engine (Cont.)

11.12. ULTRASHIFT TRANSMISSION WITH N13 ENGINE, P. 12

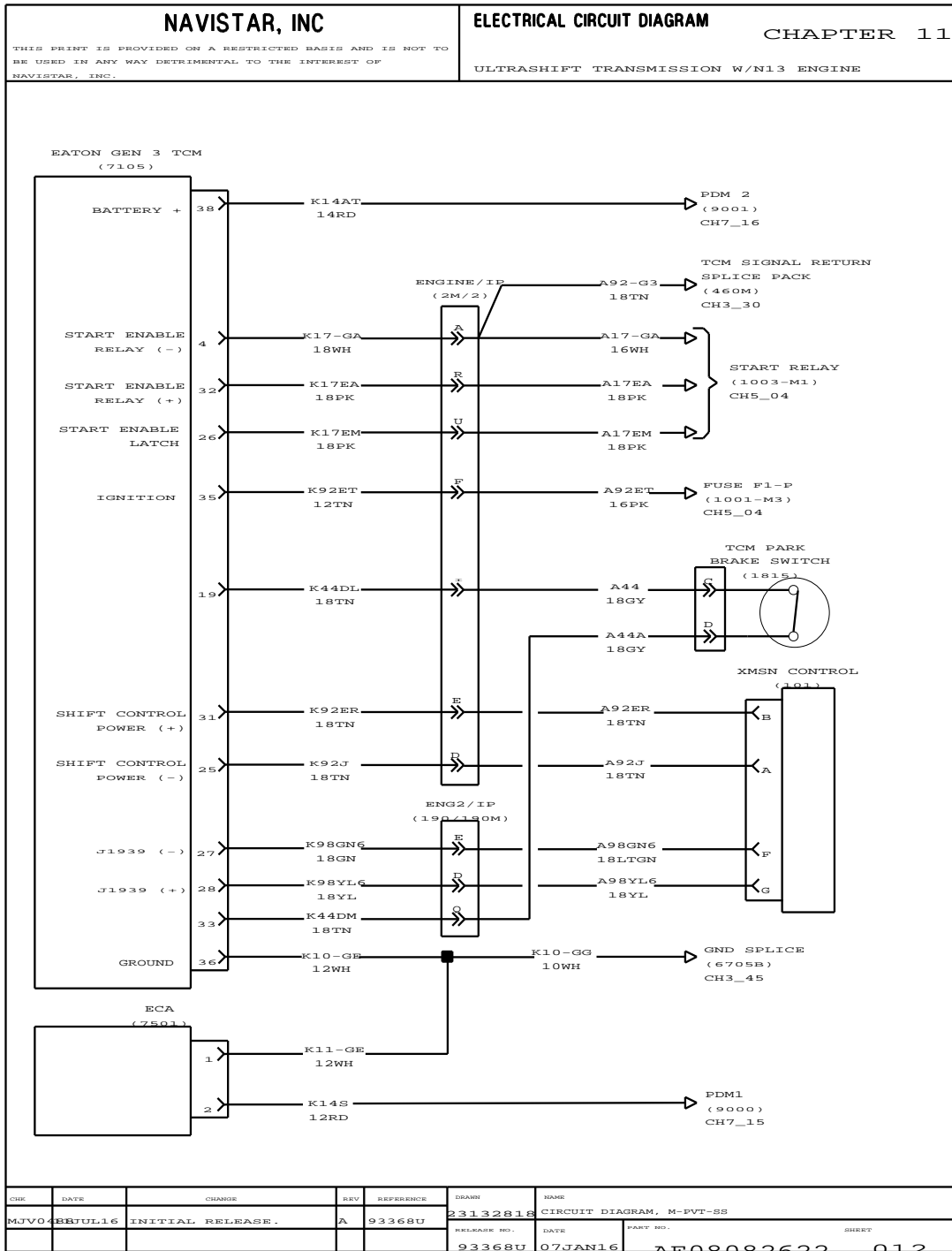


Figure 286 Ultrashift Transmission with N13 Engine

11.13. ALLISON TRANSMISSION WITH 500K WITH F-2017 ISX ENGINE, P. 13

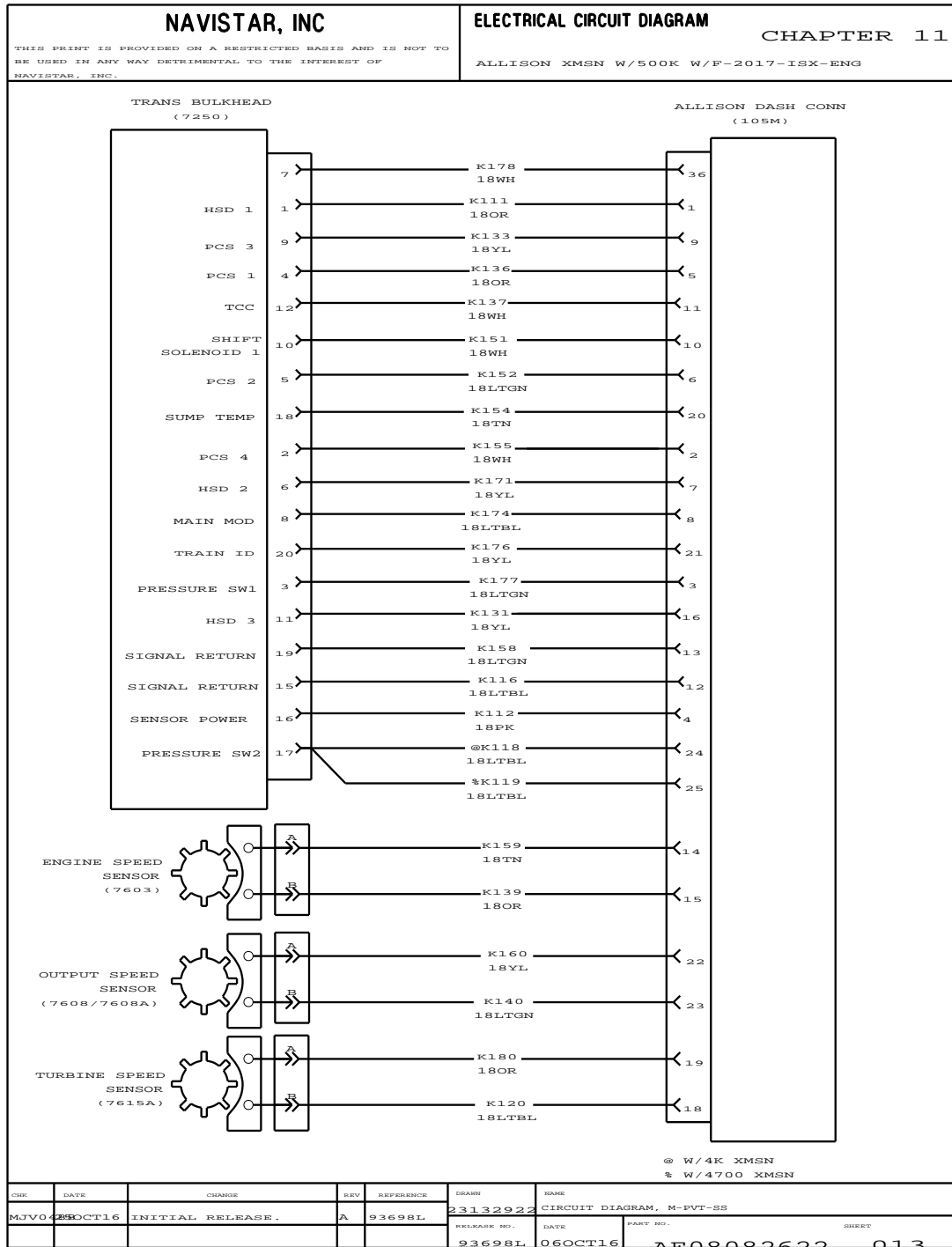


Figure 287 Allison Transmission with 500K with F-2017 ISX Engine

11.14. ALLISON TRANSMISSION WITH 500K WITH F-2017 ISX ENGINE (CONT.), P. 14

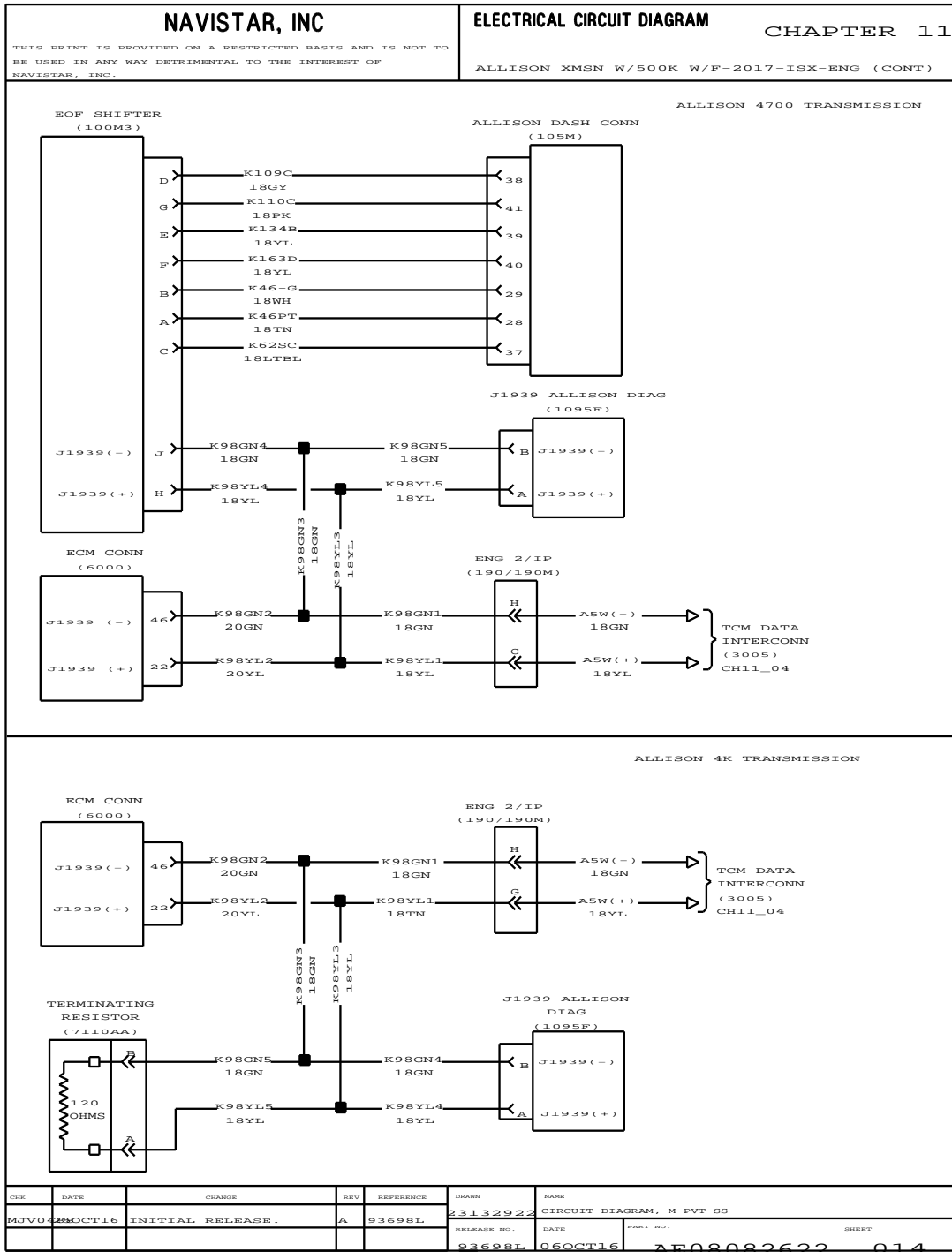


Figure 288 Allison Transmission with 500K with F-2017 ISX Engine (Cont.)

11.15. ALLISON TRANSMISSION WITH 500K WITH F-2017 ISX ENGINE (CONT.), P. 15

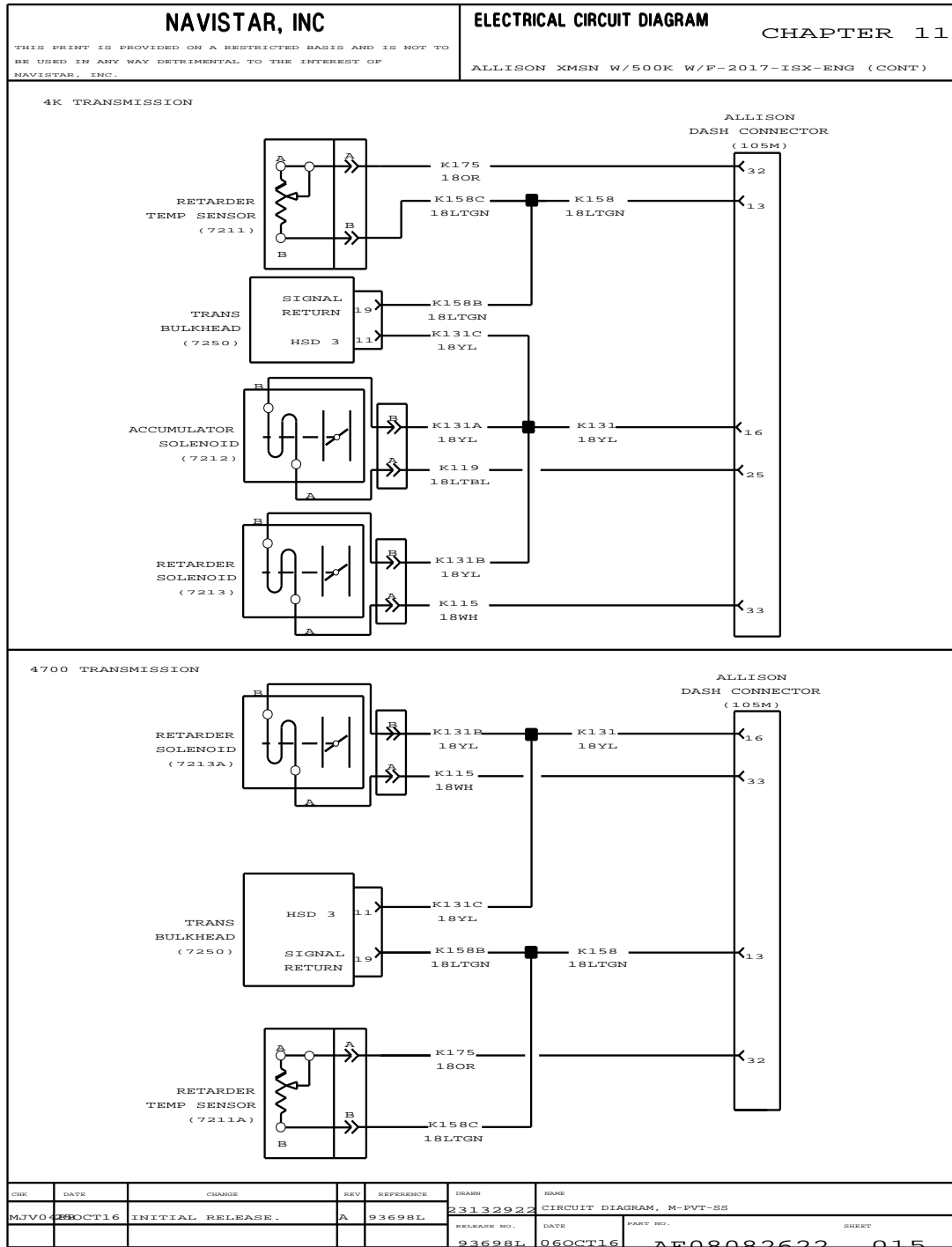


Figure 289 Allison Transmission with 500K with F-2017 ISX Engine (Cont.)

11.16. ULTRASHIFT TRANSMISSION WITH 500K WITH F-2017 ISX ENGINE, P. 16

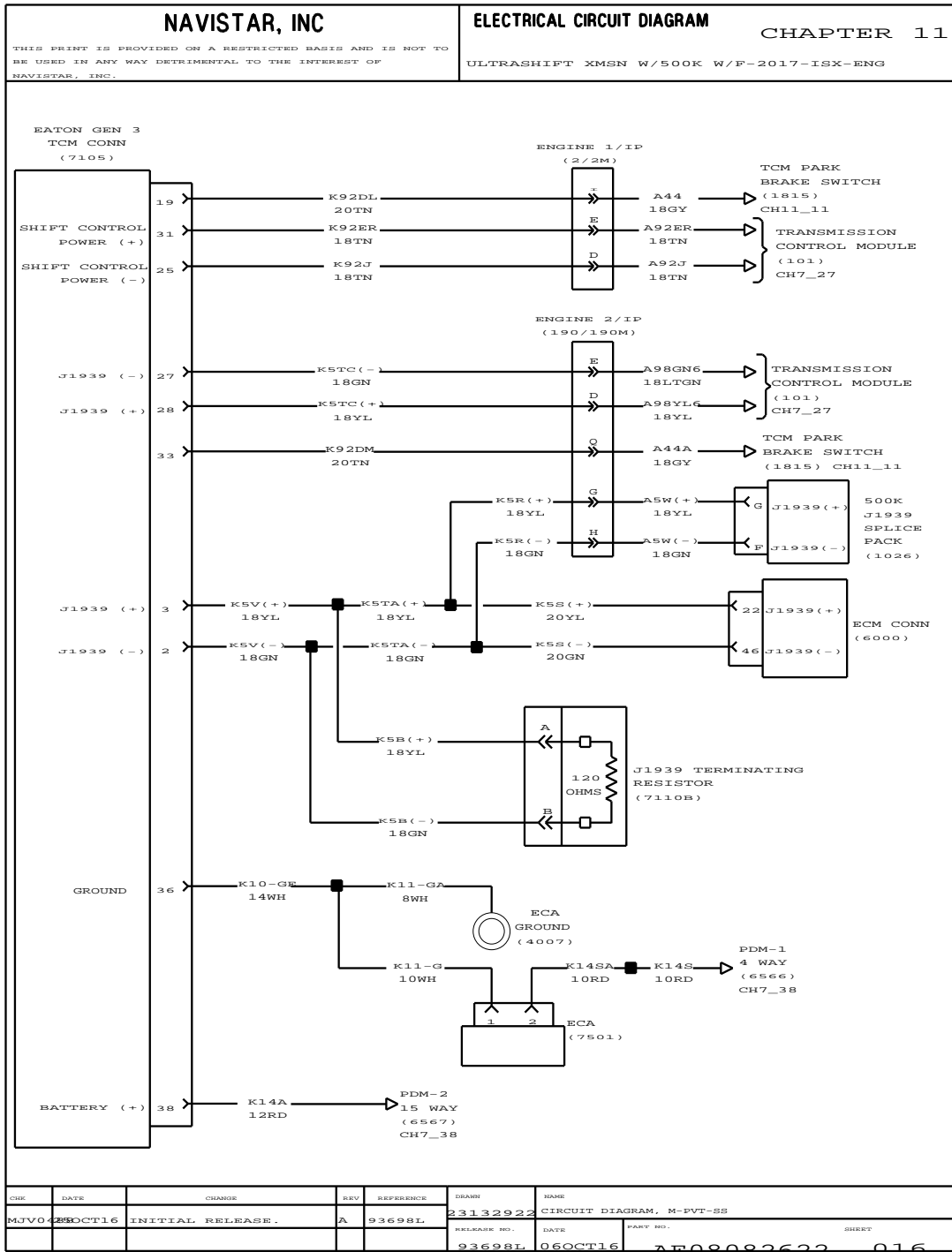


Figure 290 Ultrashift Transmission with 500K with F-2017 ISX Engine

11.17. MANUAL TRANSMISSION WITH 500K WITH F-2017 ISX ENGINE, P. 17

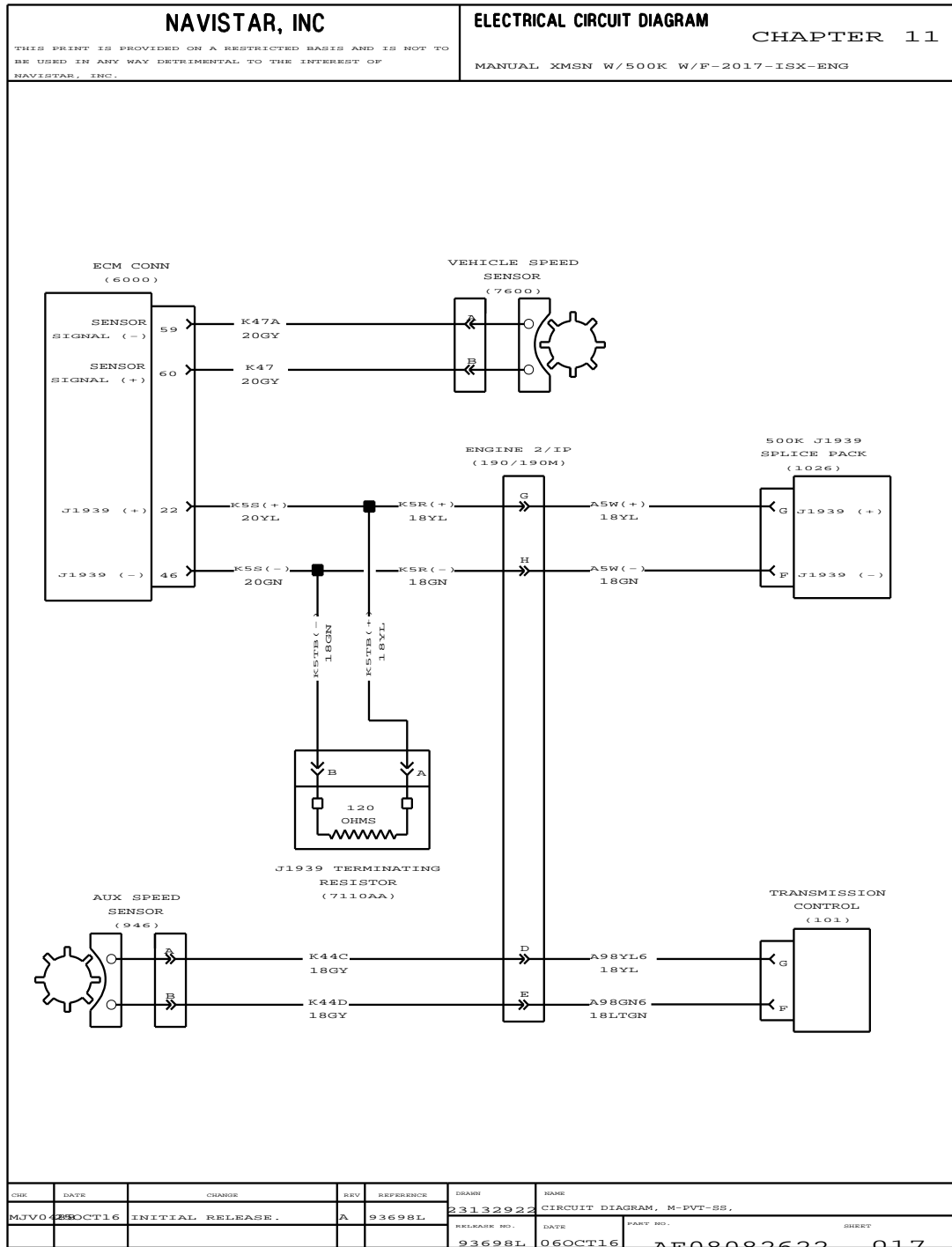


Figure 291 Manual Transmission with 500K with F-2017 ISX Engine

11.18. MANUAL TRANSMISSION WITH N13 2017 ENGINE, P. 18

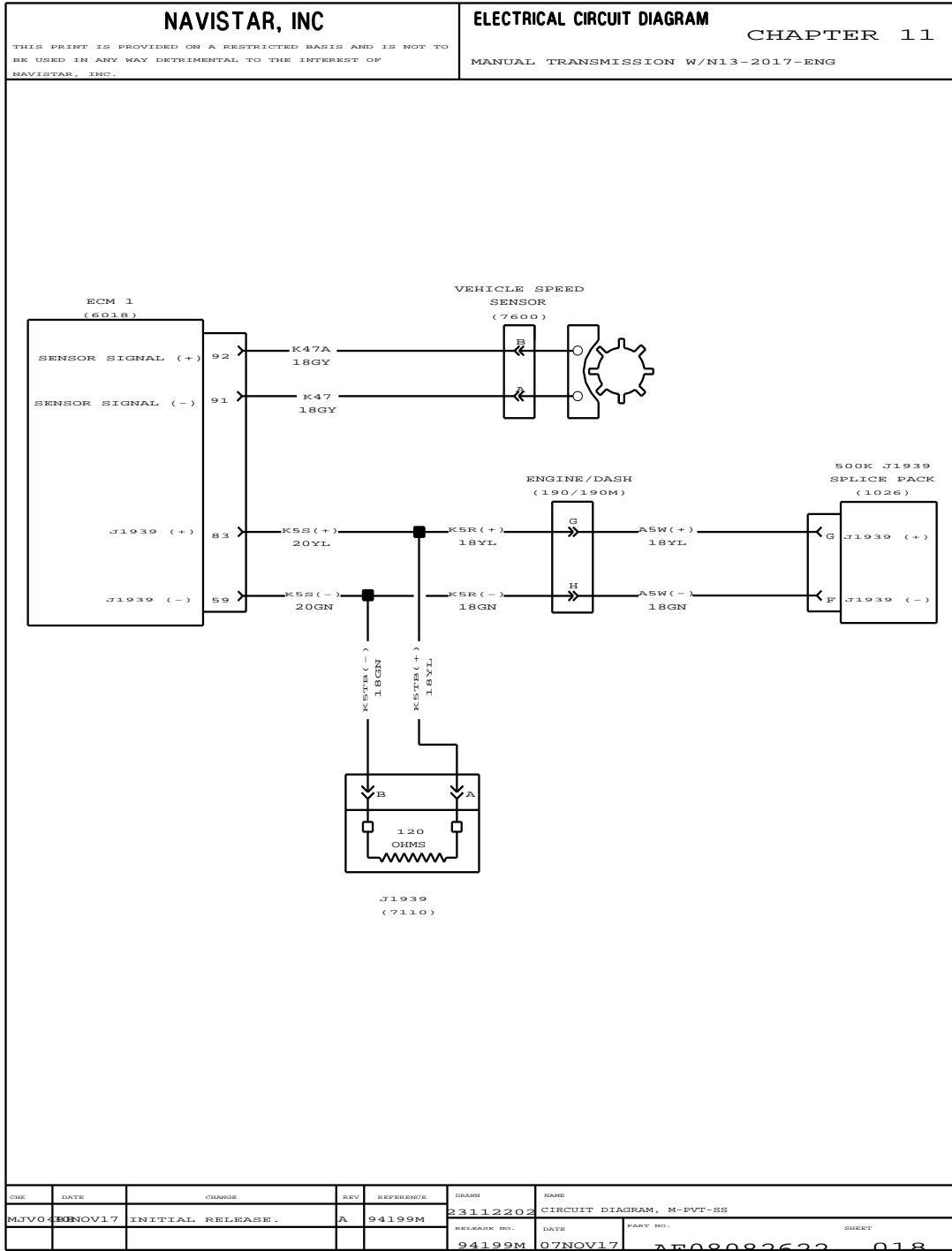


Figure 292 Manual Transmission with N13 2017 Engine

11.19. ALLISON TRANSMISSION WITH 4K & 4700 WITH N13 2017 ENGINE, P. 19

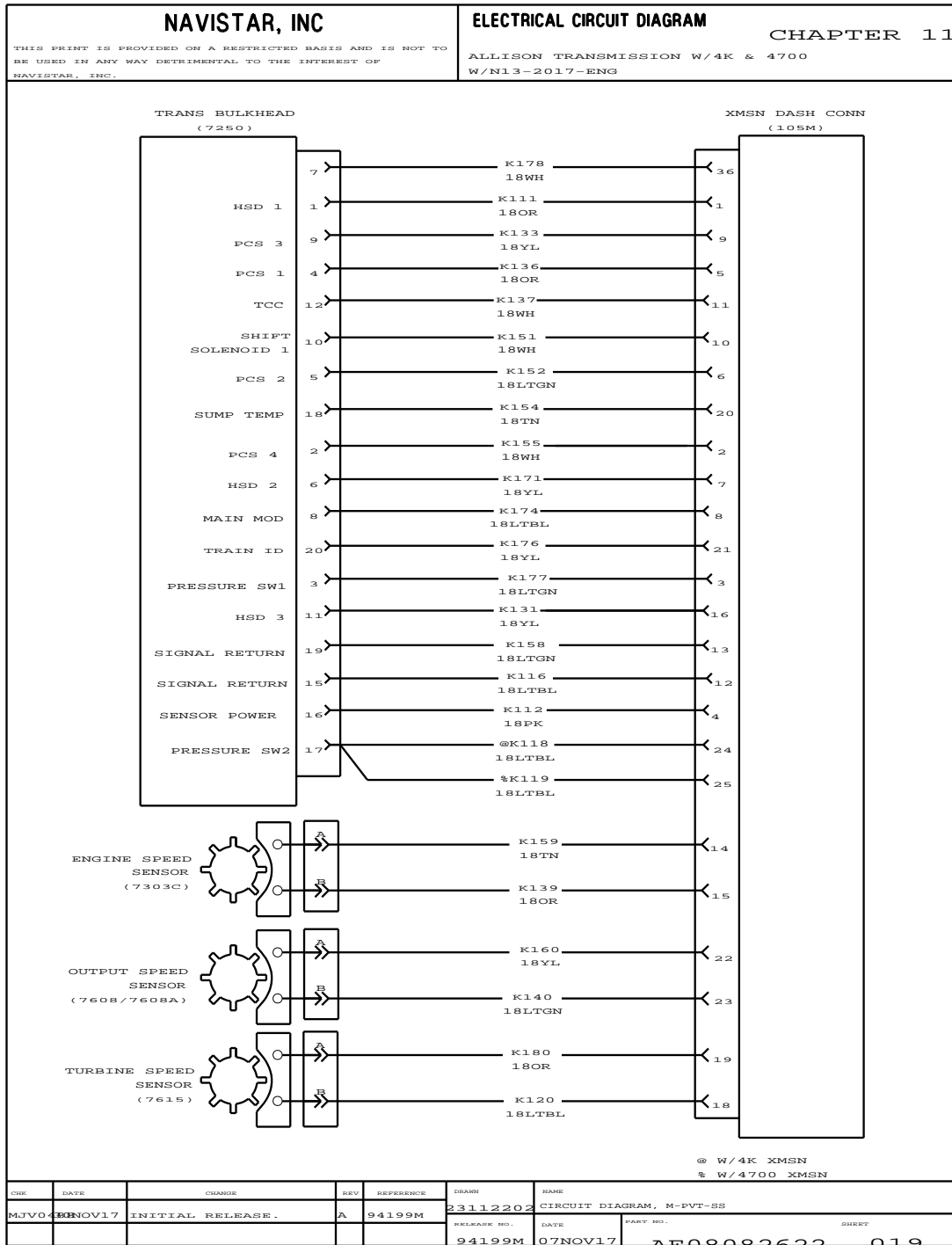


Figure 293 Allison Transmission with 4K & 4700 with N13 2017 Engine

11.20. ALLISON TRANSMISSION I / O SPARE WITH N13 2017 ENGINE, P. 20

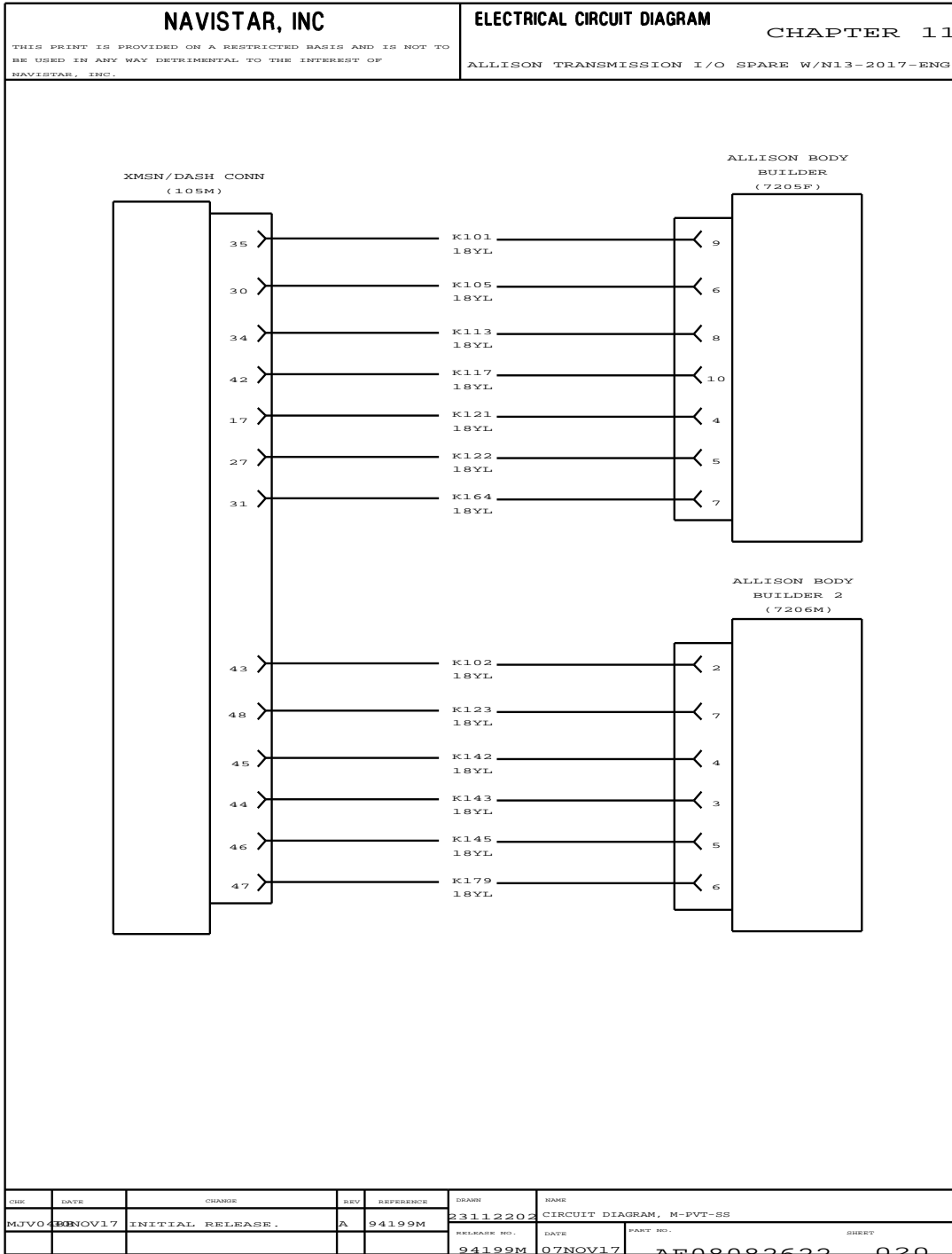


Figure 294 Allison Transmission I / O Spare with N13 2017 Engine

11.21. ALLISON TRANSMISSION I / O SPARE WITH N13 2017 ENGINE (CONT.), P. 21

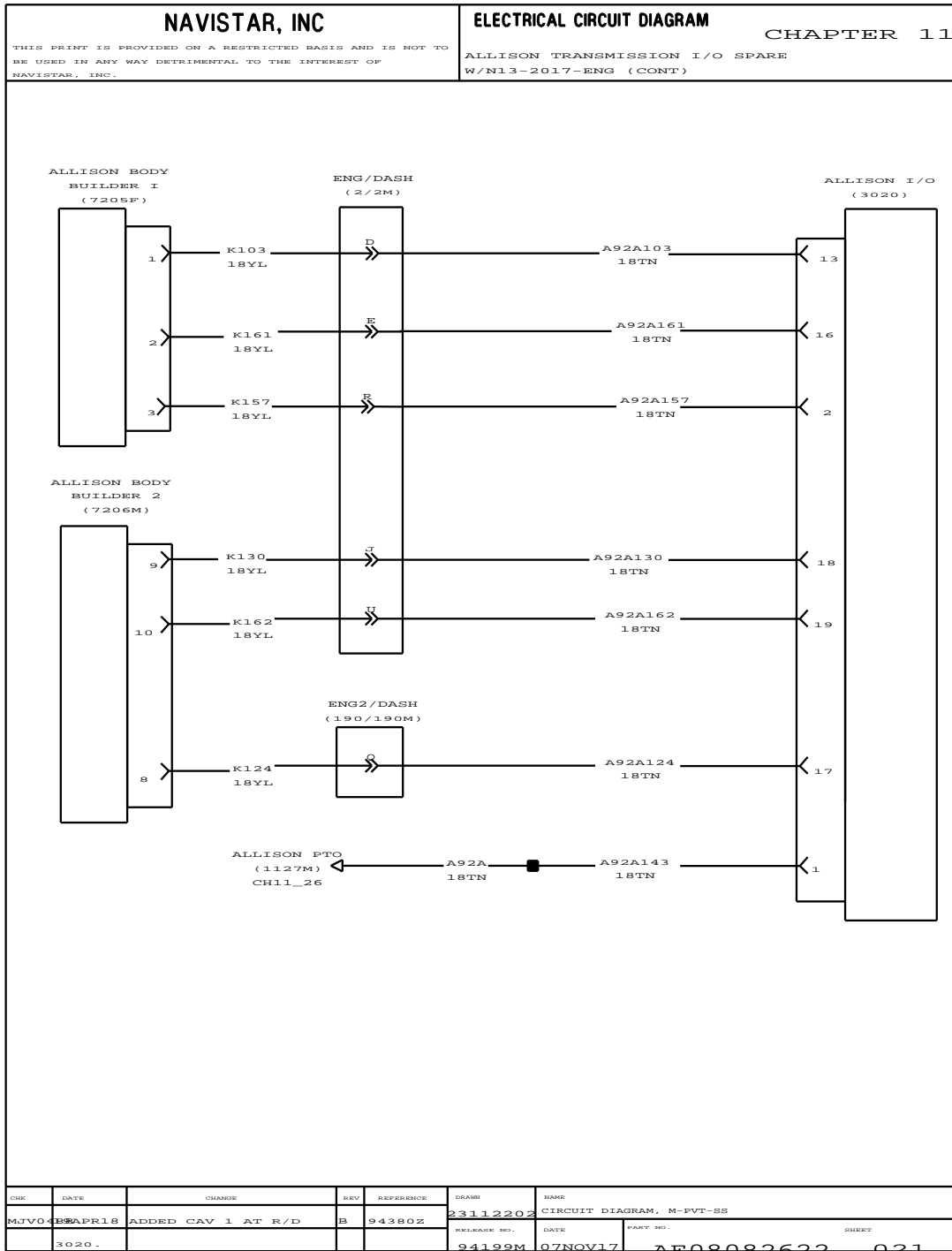


Figure 295 Allison Transmission I / O Spare with N13 2017 Engine (Cont.)

11.22. ALLISON 4700 TRANSMISSION WITH 500K WITH N13 2017 ENGINE, P. 22

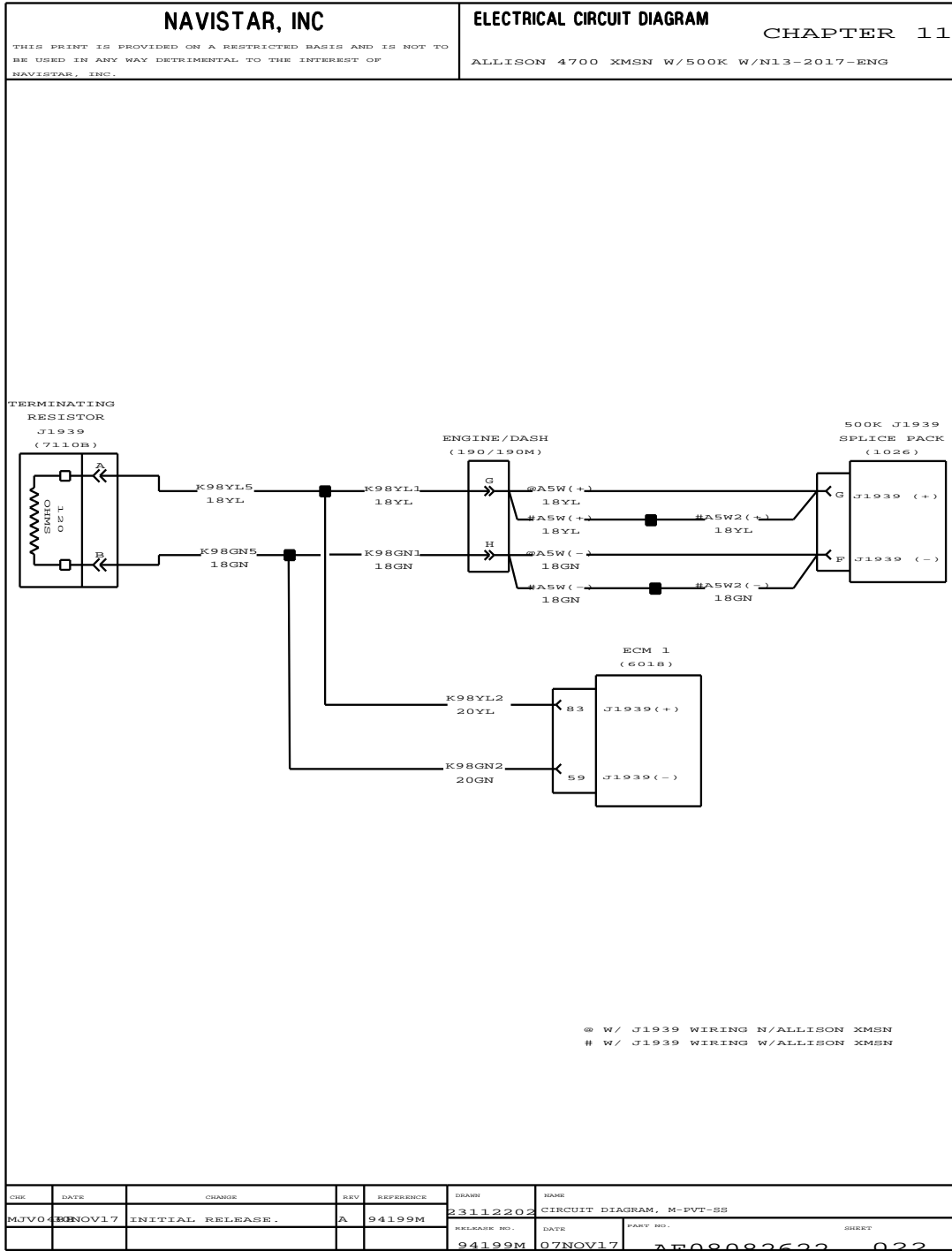


Figure 296 Allison 4700 Transmission with 500K with N13 2017 Engine

11.23. ALLISON TRANSMISSION WITH RETARDER N13 2017 ENGINE, P. 23

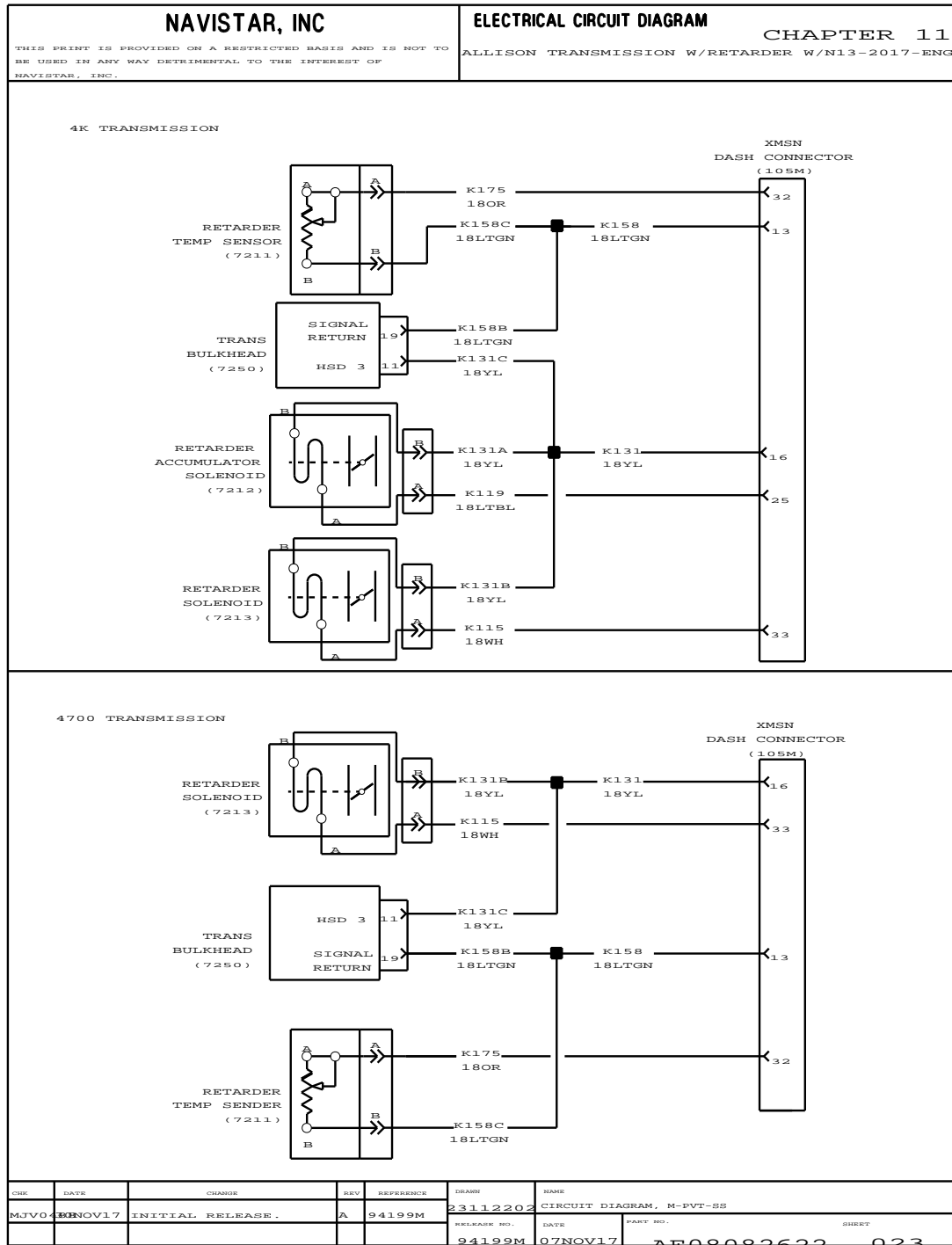


Figure 297 Allison Transmission with Retarder N13 2017 Engine

11.24. ULTRASHIFT VOCATIONAL PERFORMANCE N13 2017 ENGINE, P. 24

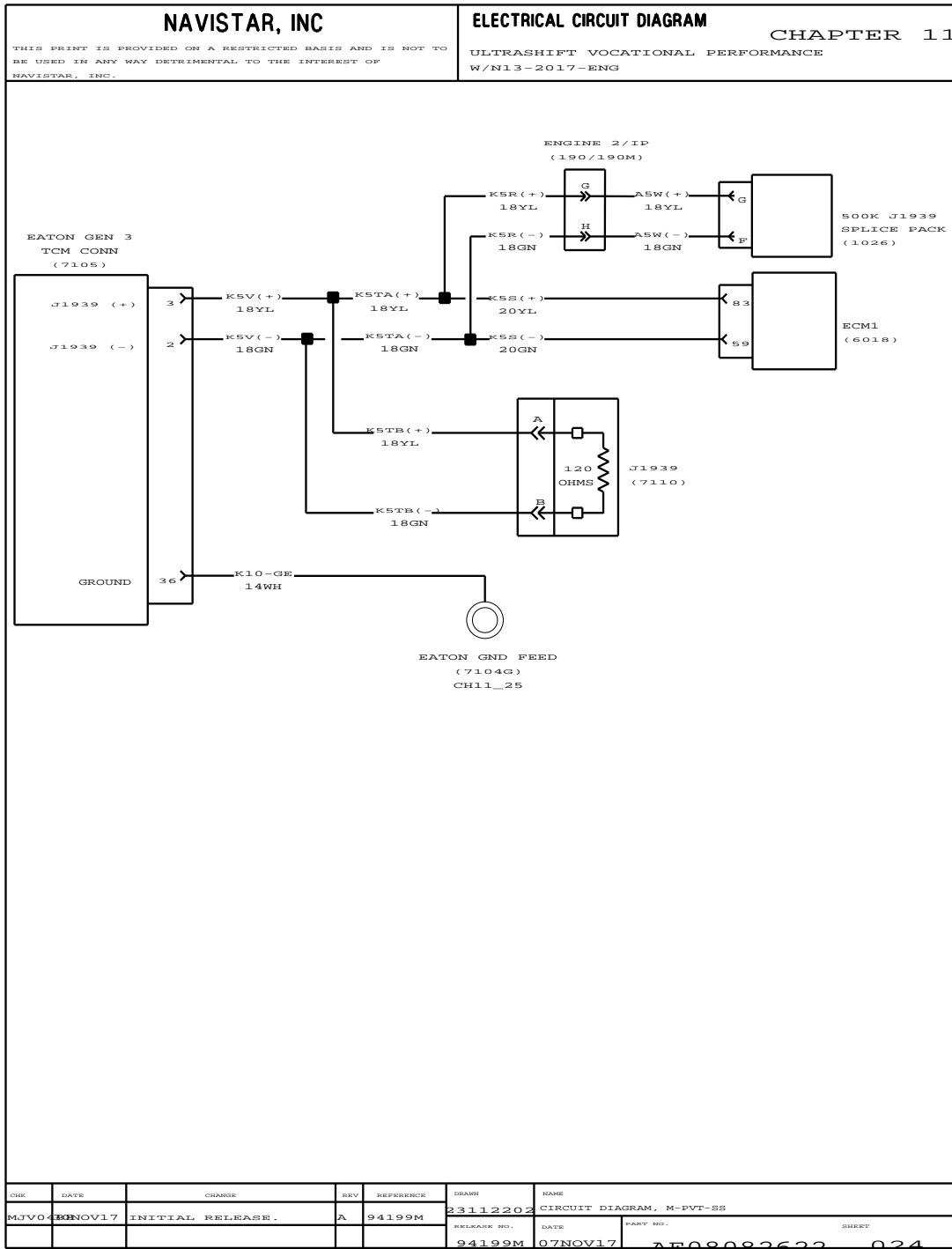


Figure 298 Ultrashift Vocational Performance N13 2017 Engine

11.25. ULTRASHIFT VOCATIONAL PERFORMANCE N13 2017 ENGINE (CONT.), P. 25

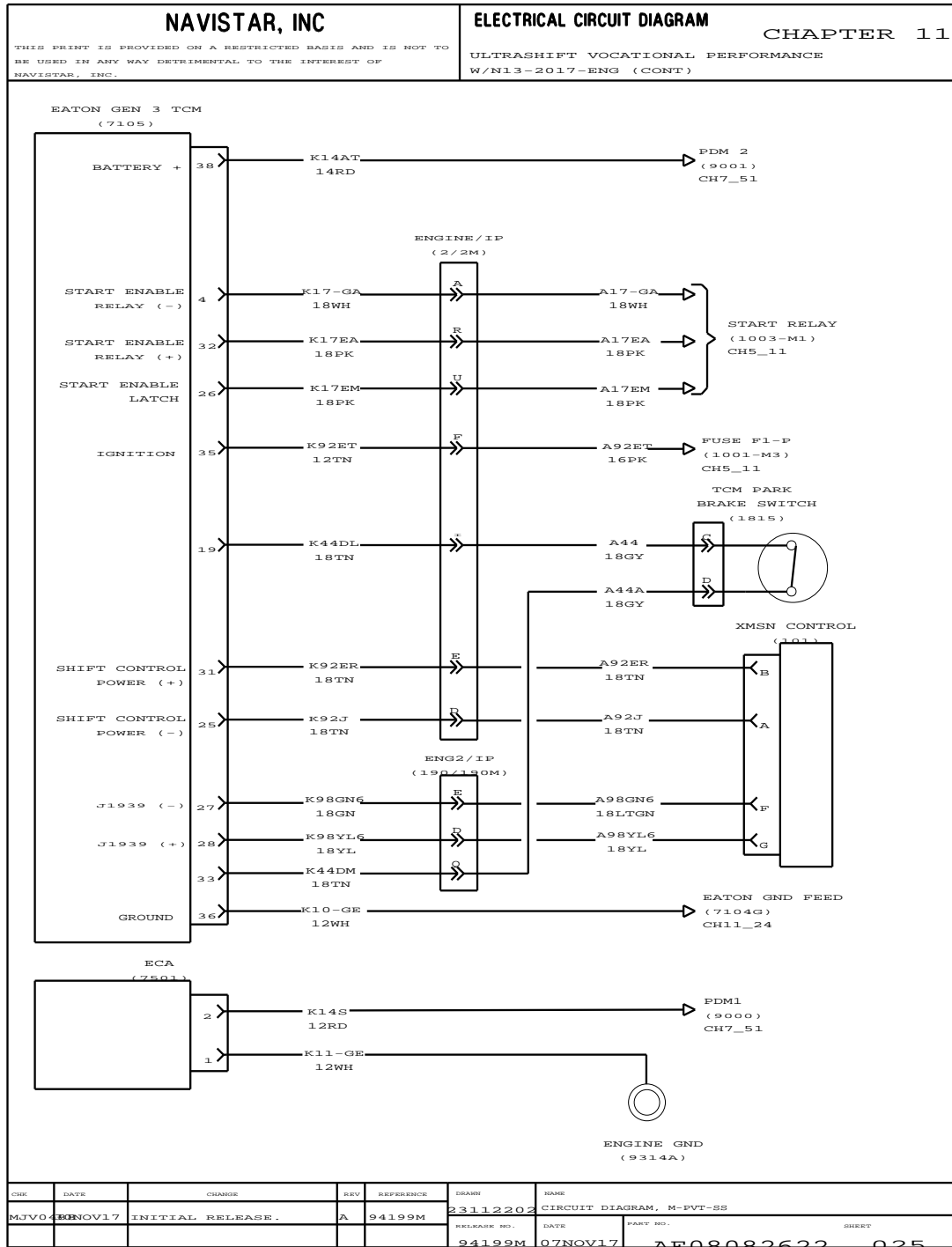


Figure 299 Ultrashift Vocational Performance N13 2017 Engine (Cont.)

11.26. ALLISON I/O WITH TRANSMISSION PTO SWITCH, P. 26

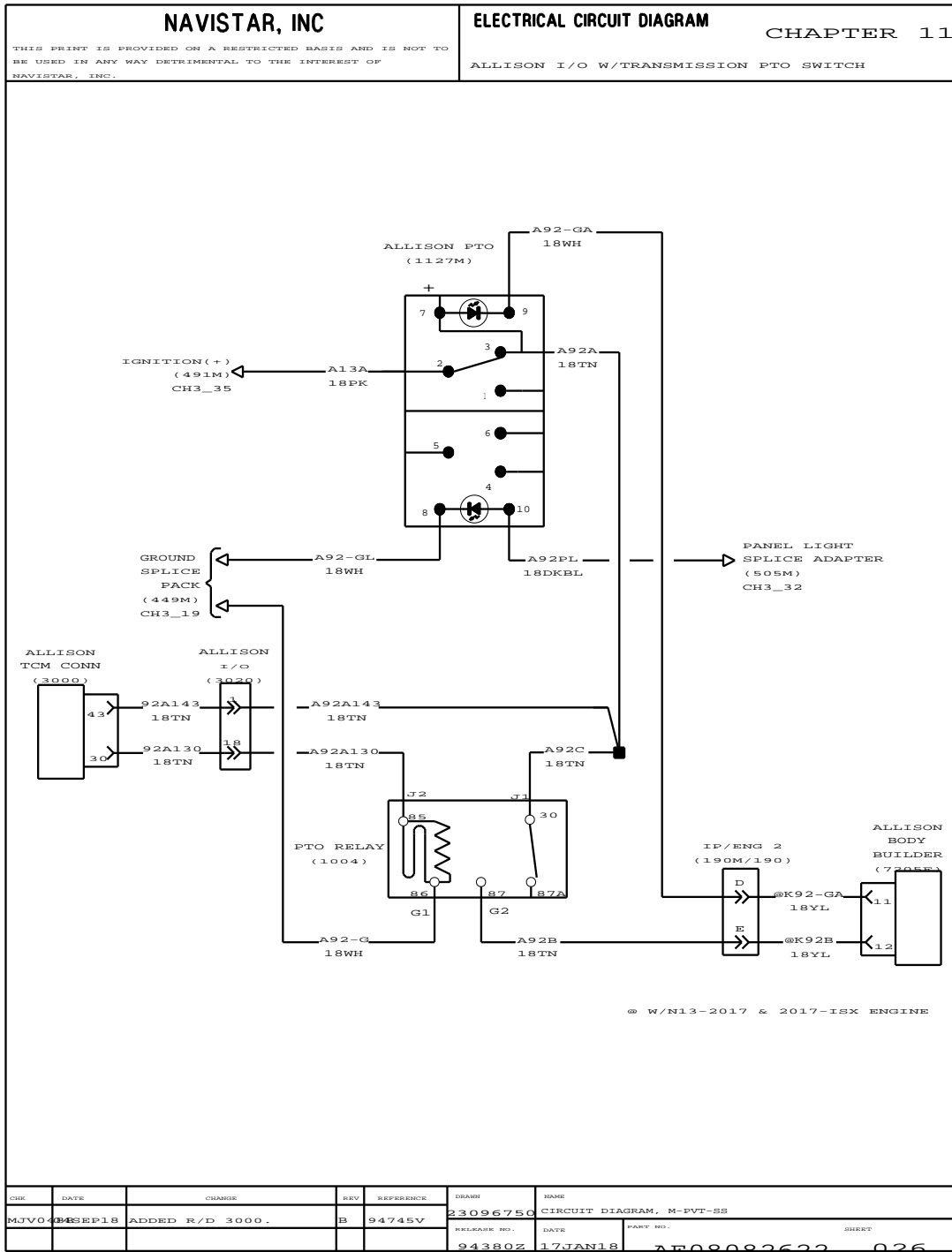


Figure 300 Allison I/O with Transmission PTO Switch

11.27. ROAD SPEED W/F-ISX-2017-ENG, P. 26

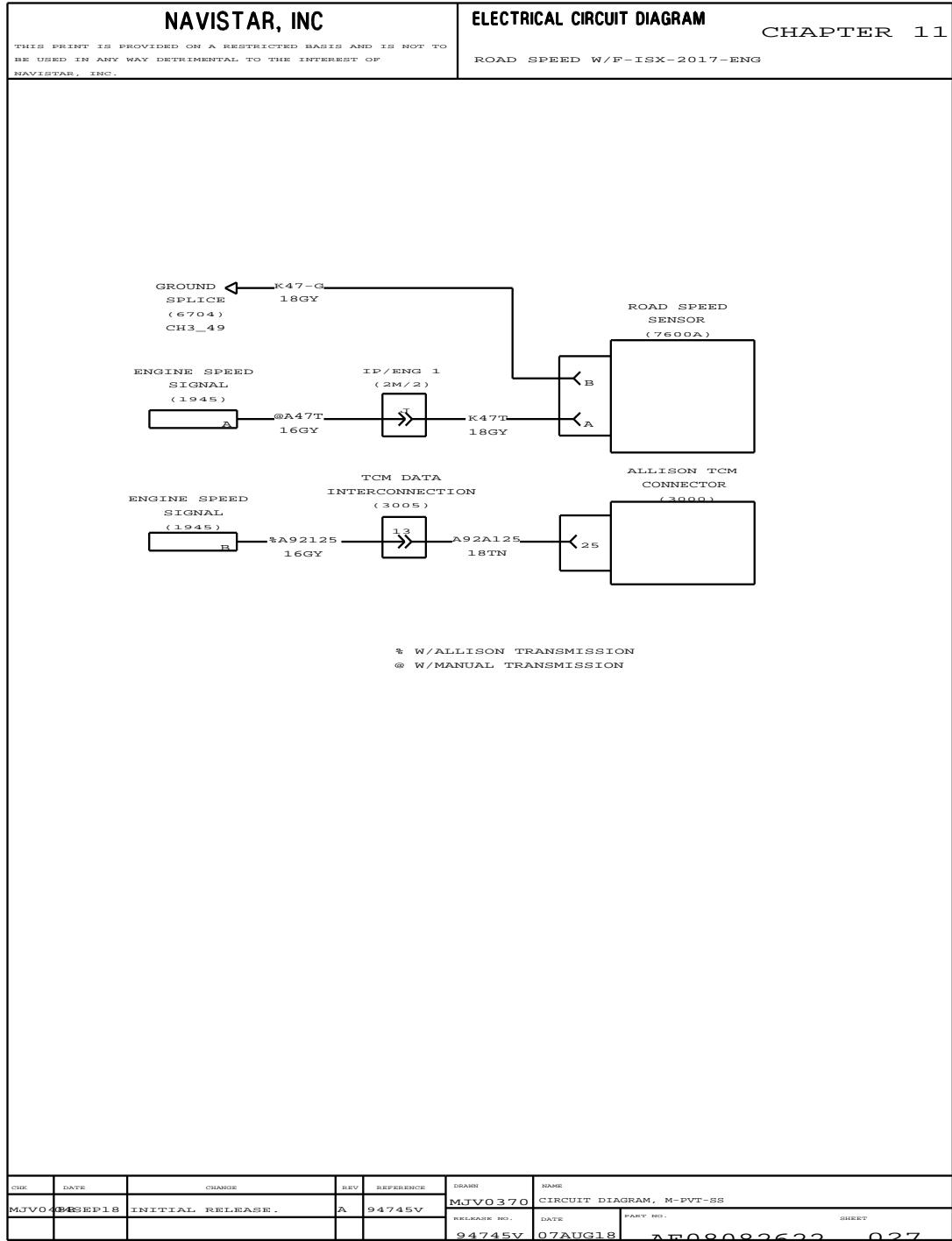


Figure 301 Road Speed W/F-ISX-2017-Eng

HVAC (CHAPTER 12)

12.1. HVAC WIRING – CAB WITH CUMMINS ISX AND N13 ENGINE, P. 1

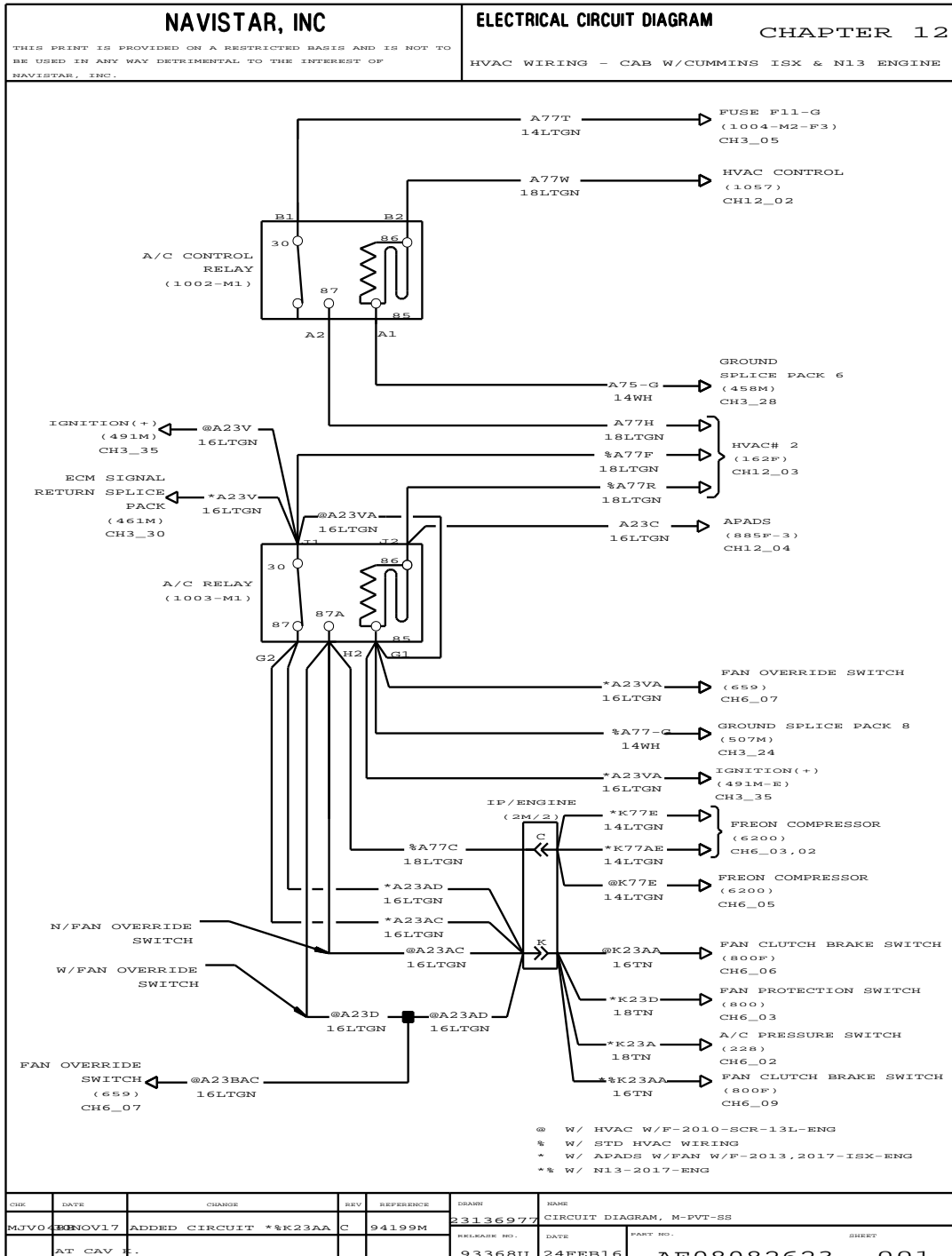


Figure 302 HVAC Wiring – Cab with Cummins ISX and N13 Engine

12.2. HVAC WIRING – HEATER CAB, P. 2

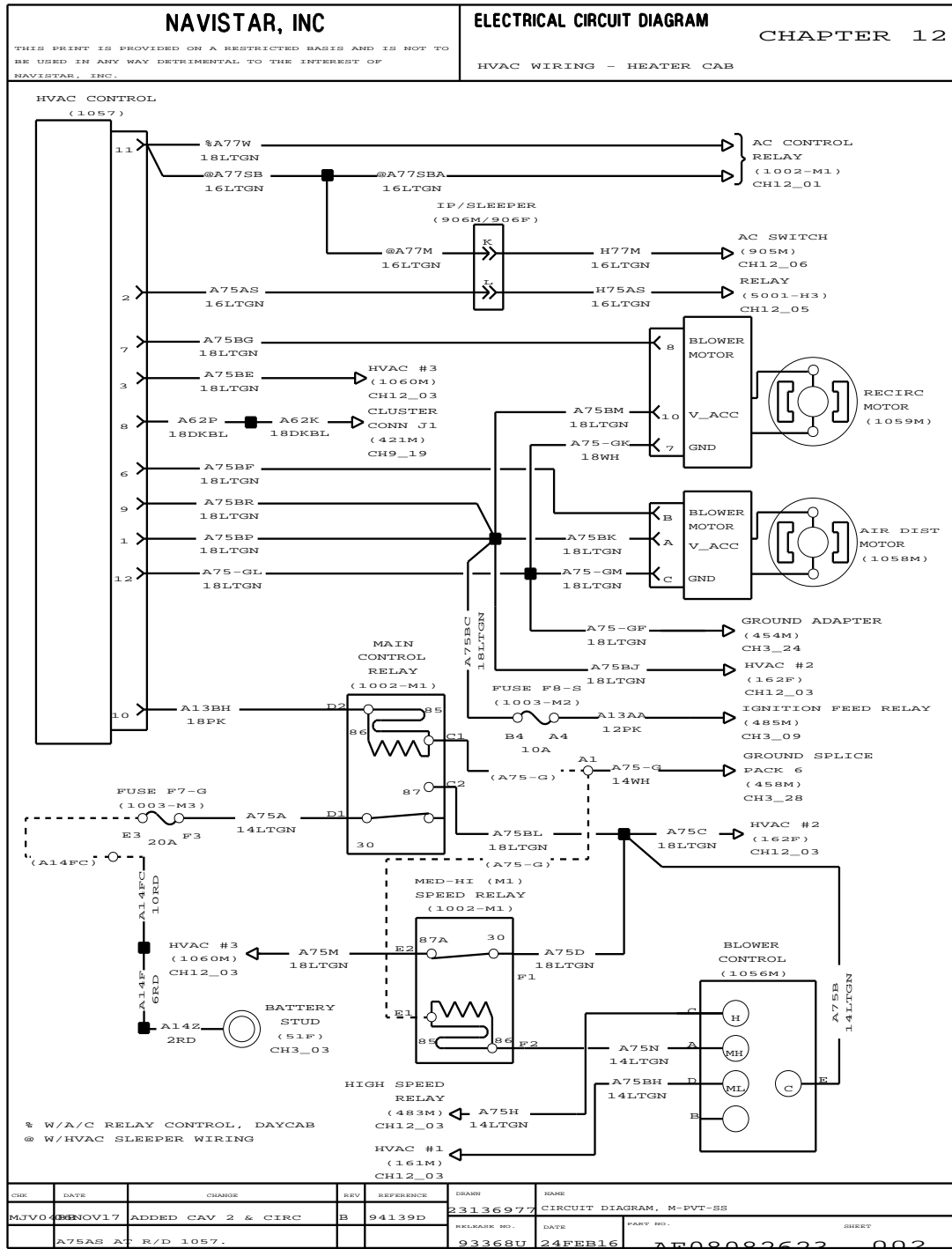


Figure 303 HVAC Wiring – Heater Cab

12.3. HVAC WIRING – HEATER CAB (CONT.), P. 3

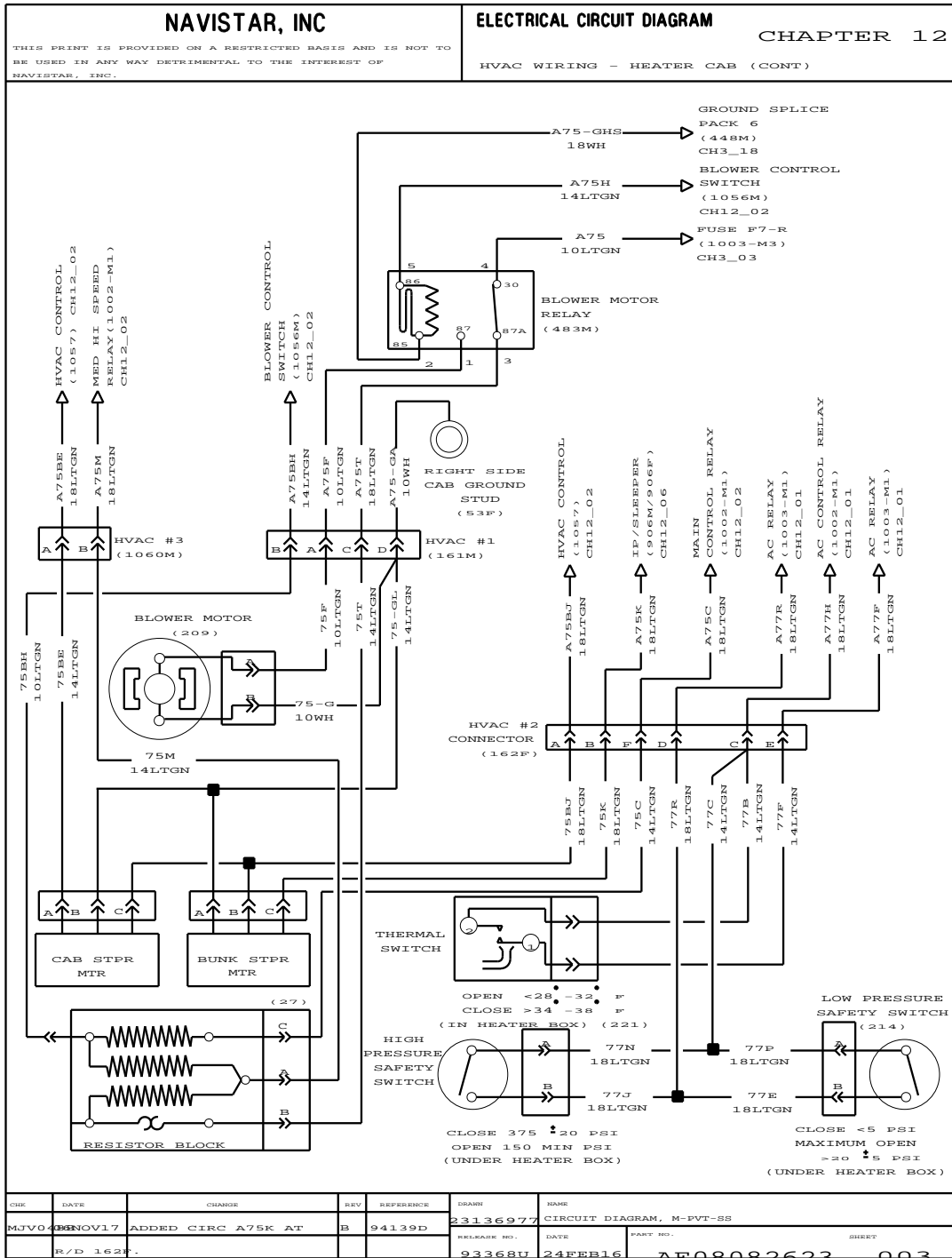


Figure 304 HVAC Wiring – Heater Cab (Cont.)

12.4. HVAC WIRING – WITH AIR CONDITIONING PROTECTION AND DIAGNOSTIC SYSTEM (APADS) WITH CUMMINS ISX AND N13 ENGINE, P. 4

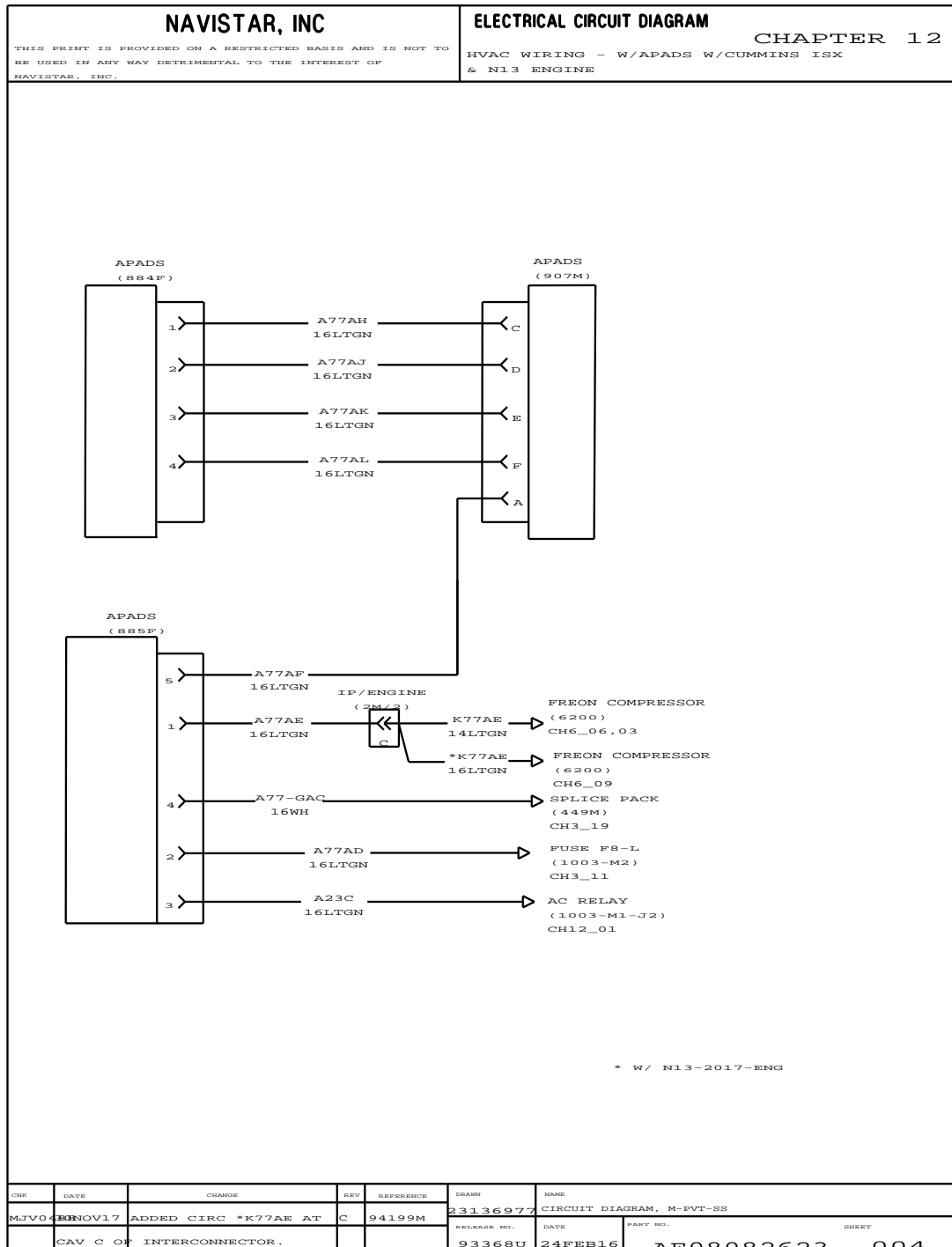


Figure 305 HVAC Wiring – with Air Conditioning Protection and Diagnostic System (APADS) with Cummins ISX and N13 Engine

12.5. SLEEPER BOX WITH HVAC CONNECTION, P. 5

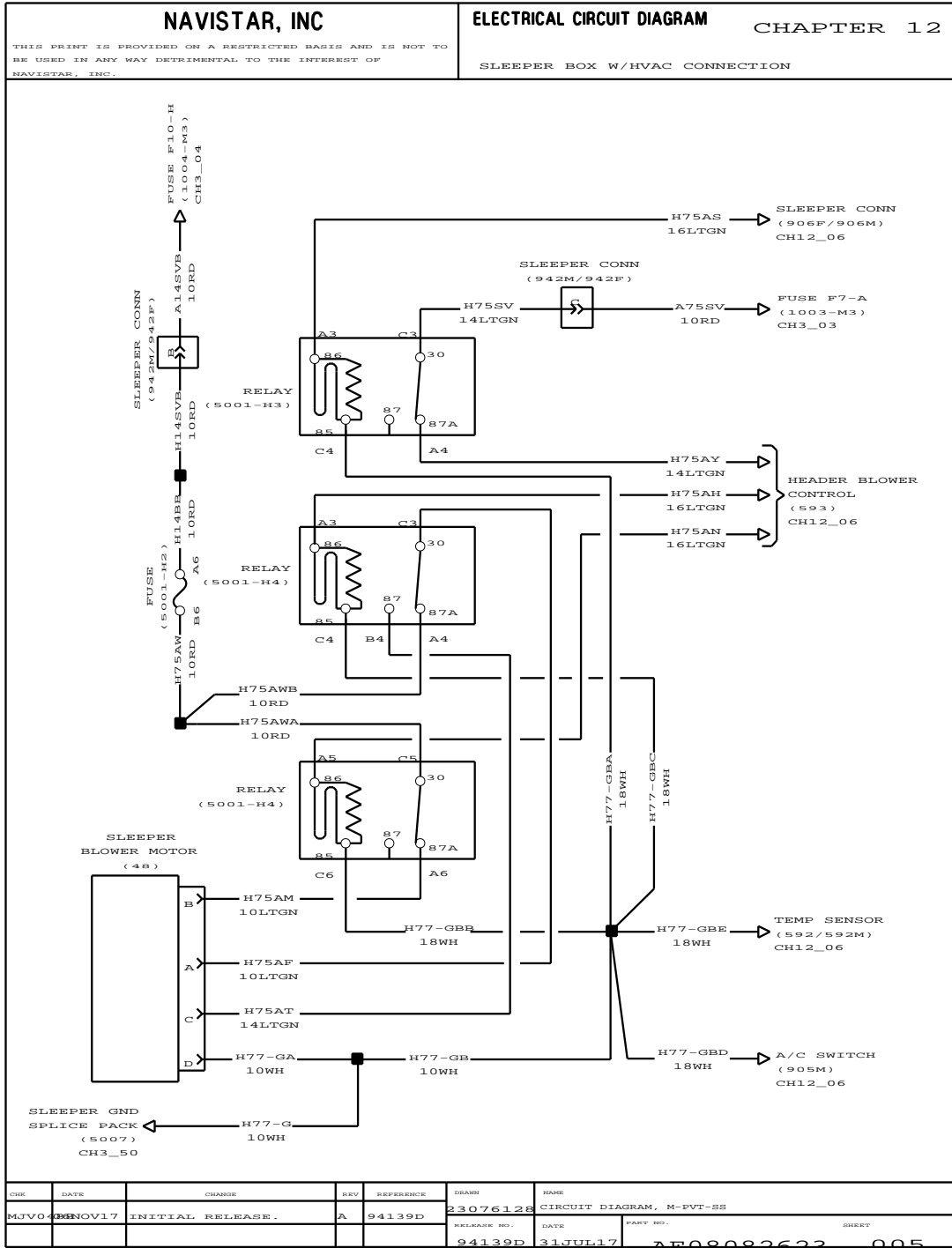


Figure 306 Sleeper Box with HVAC Connection

12.6. SLEEPER BOX WITH HVAC CONNECTION (CONT.), P. 6

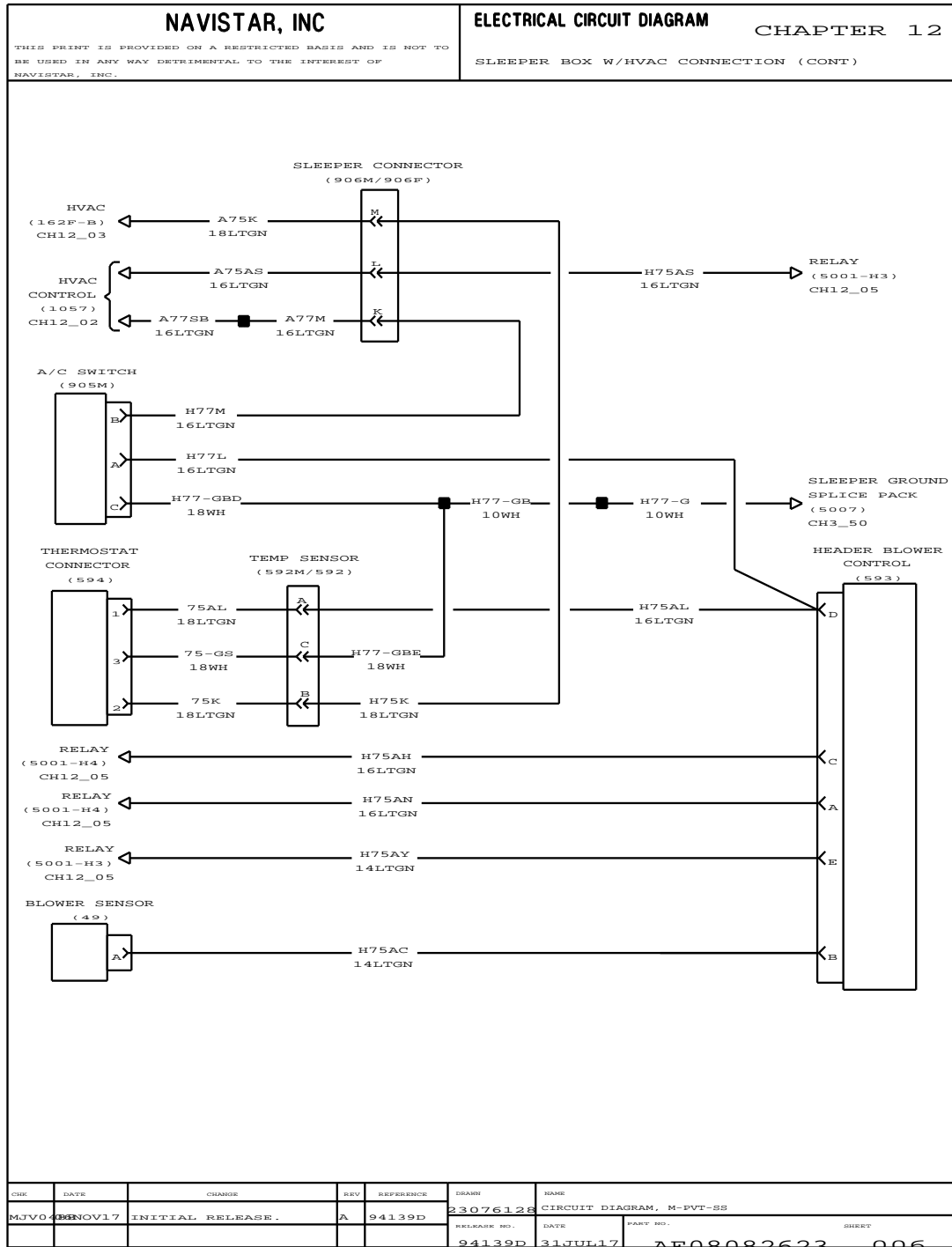


Figure 307 Sleeper Box with HVAC Connection (Cont.)

CONNECTOR COMPOSITES (CHAPTER 13)

13.1. CONNECTOR COMPOSITES (1), P. 1

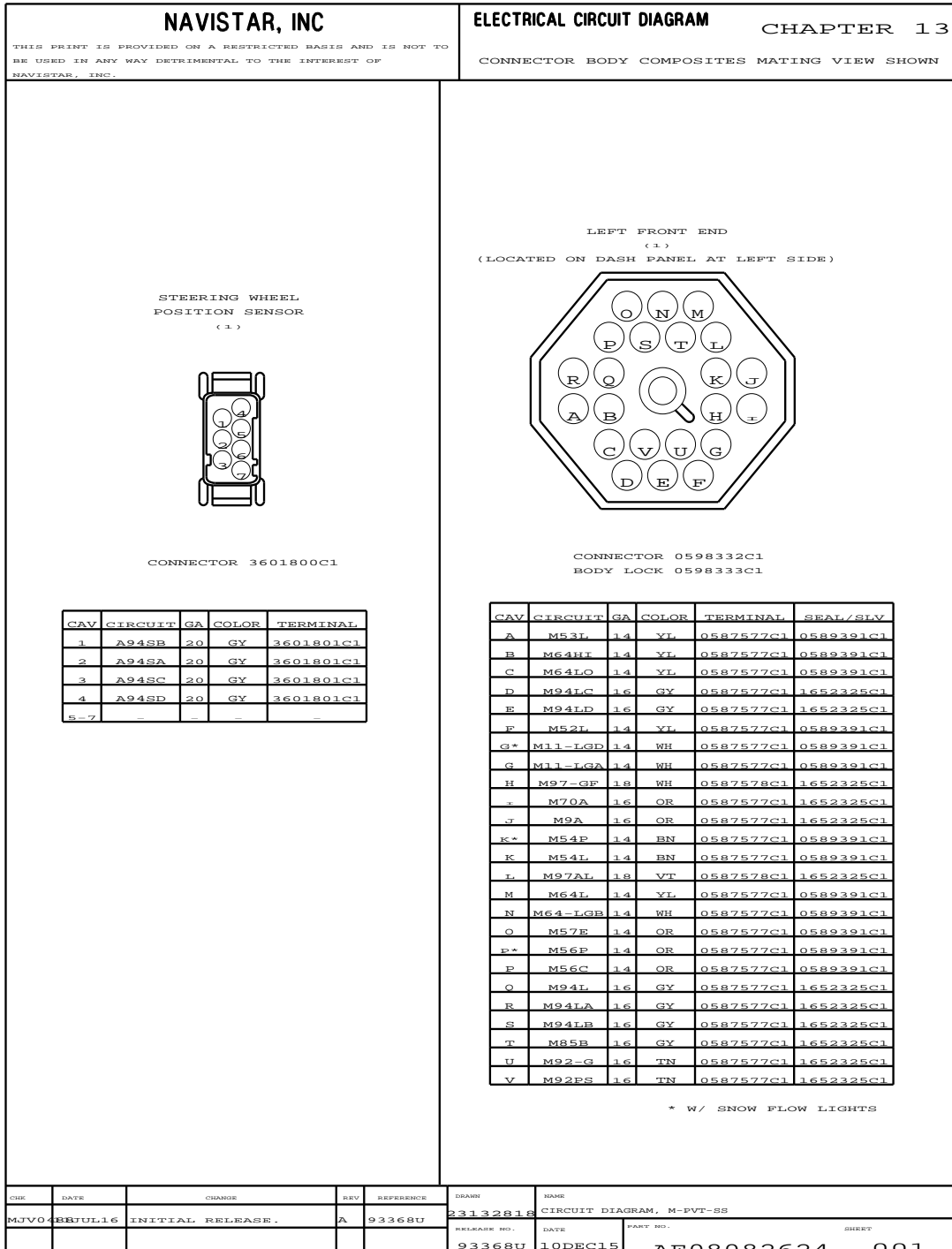


Figure 308 Connector Composites (1)

13.2. CONNECTOR COMPOSITES (1M / 2), P. 2

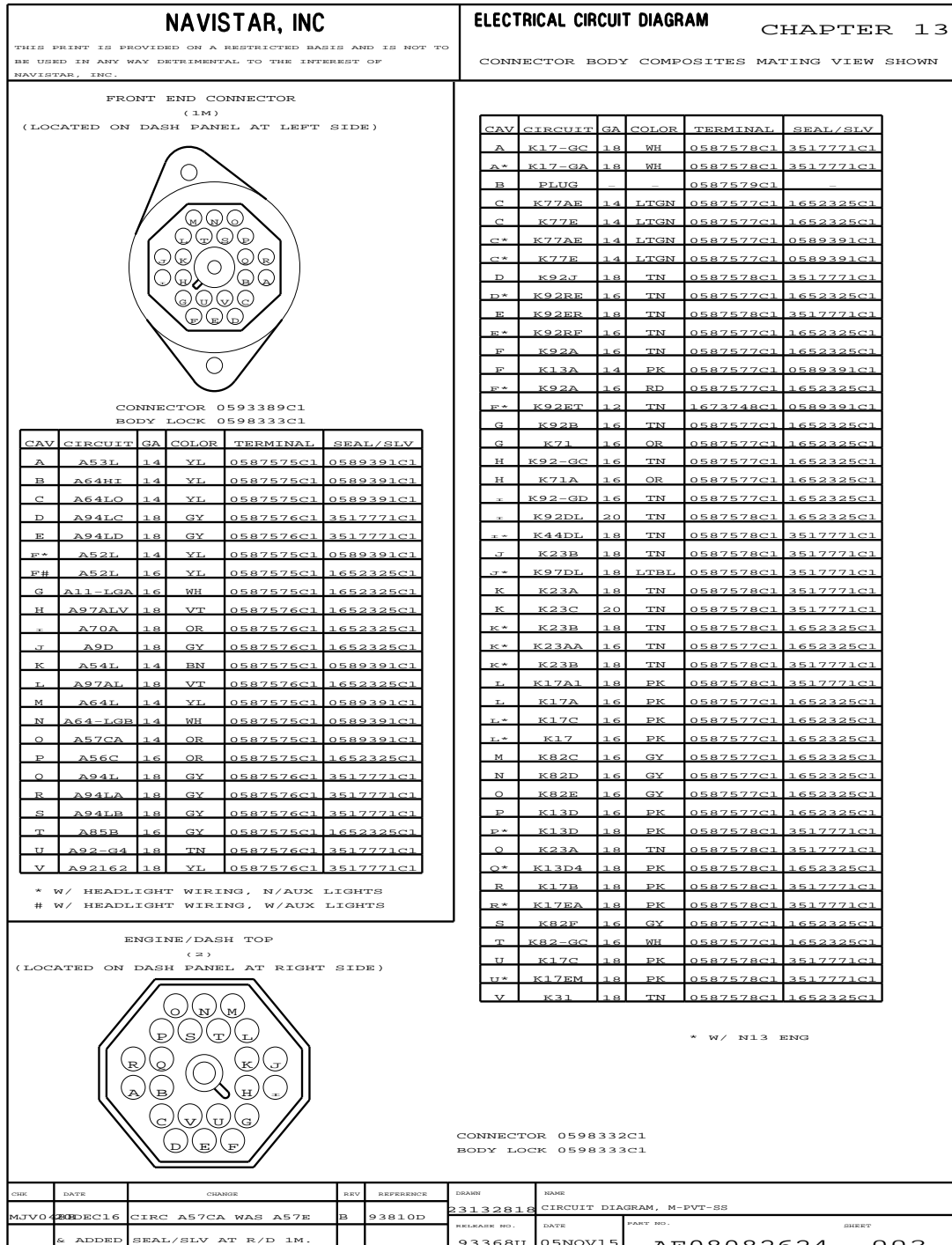


Figure 309 Connector Composites (1M / 2)

13.3. CONNECTOR COMPOSITES (2), P. 2A

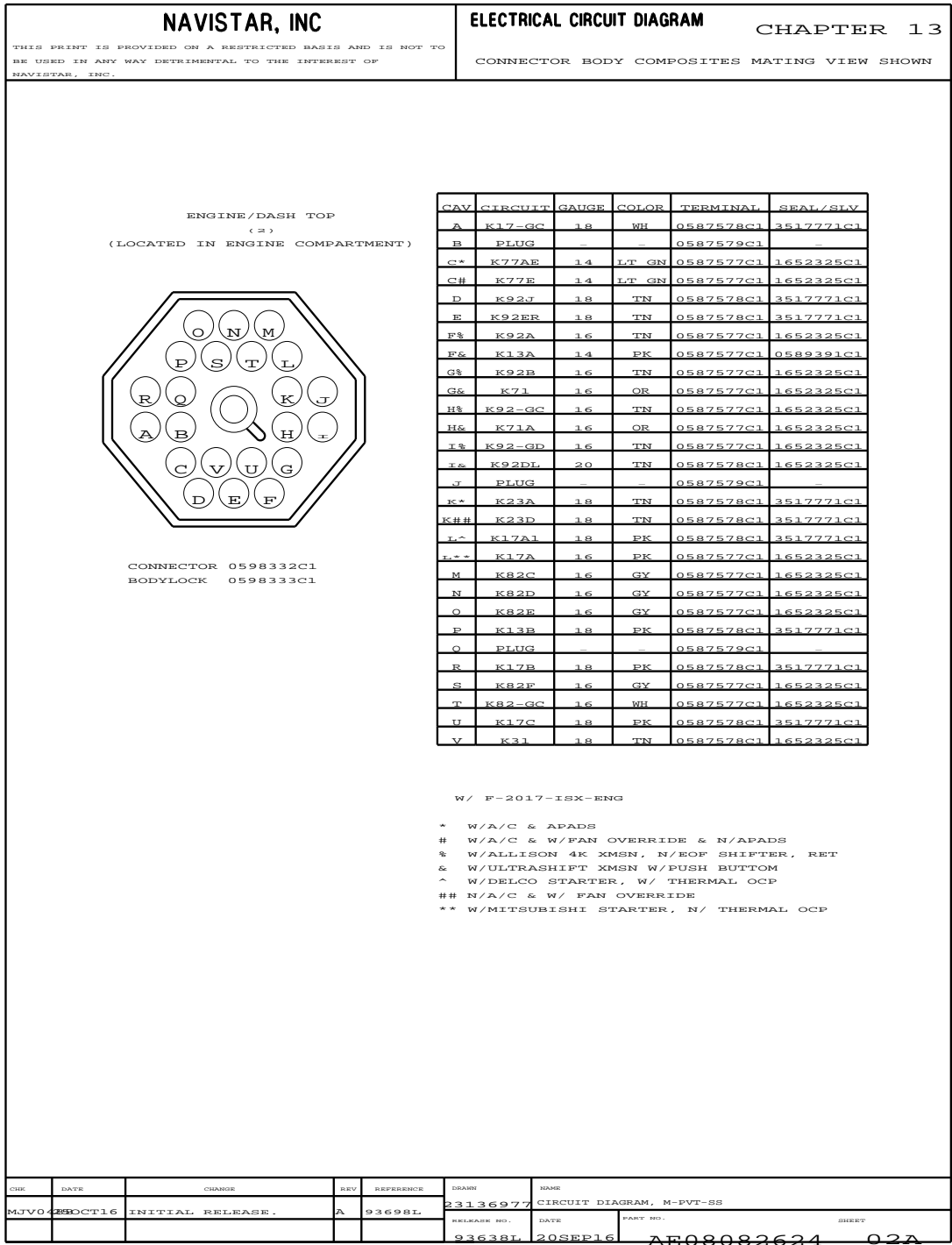


Figure 310 Connector Composites (2)

13.4. CONNECTOR COMPOSITES (2) (CONT.), P. 2B

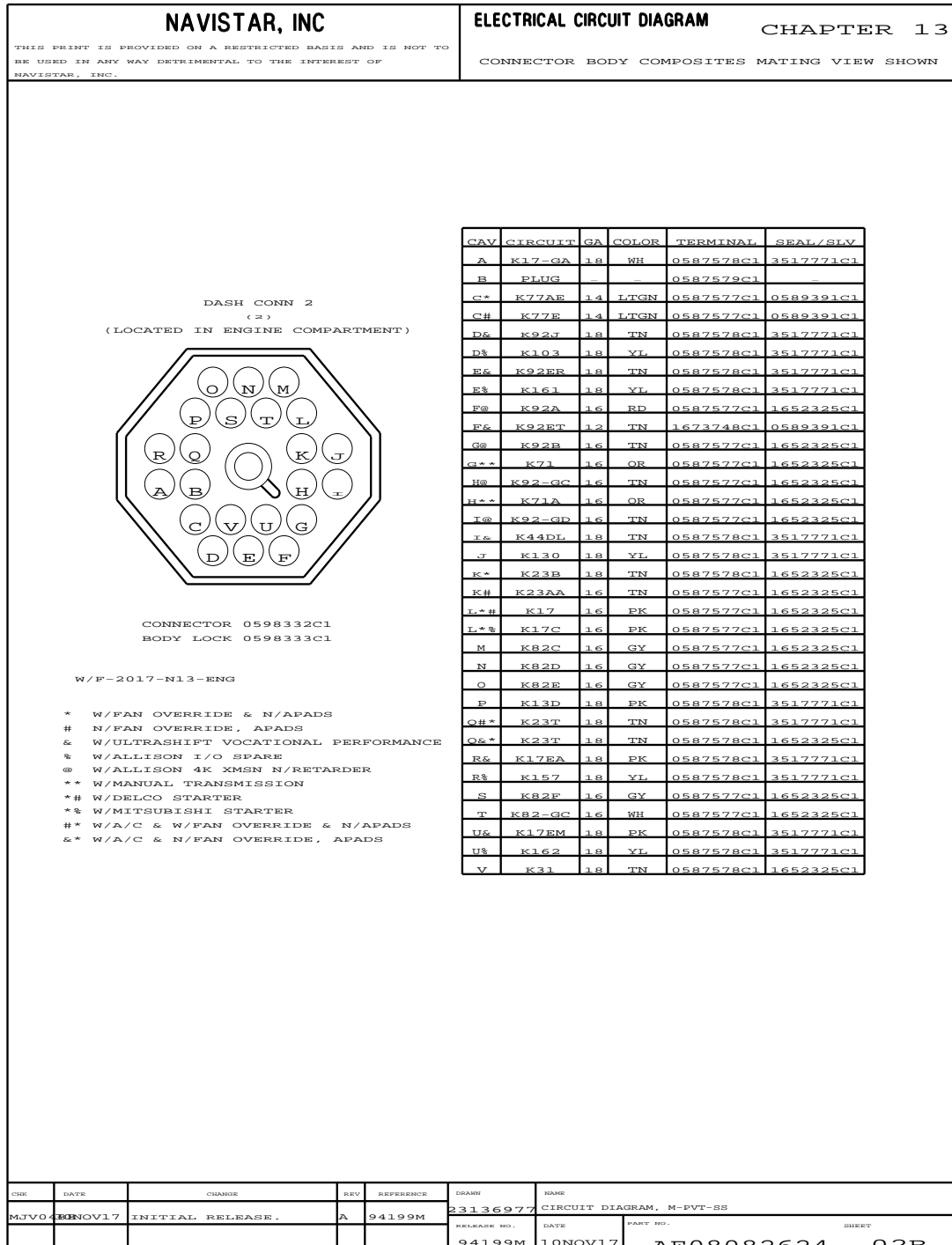


Figure 311 Connector Composites (2) (Cont.)

13.5. CONNECTOR COMPOSITES (2M), P. 3

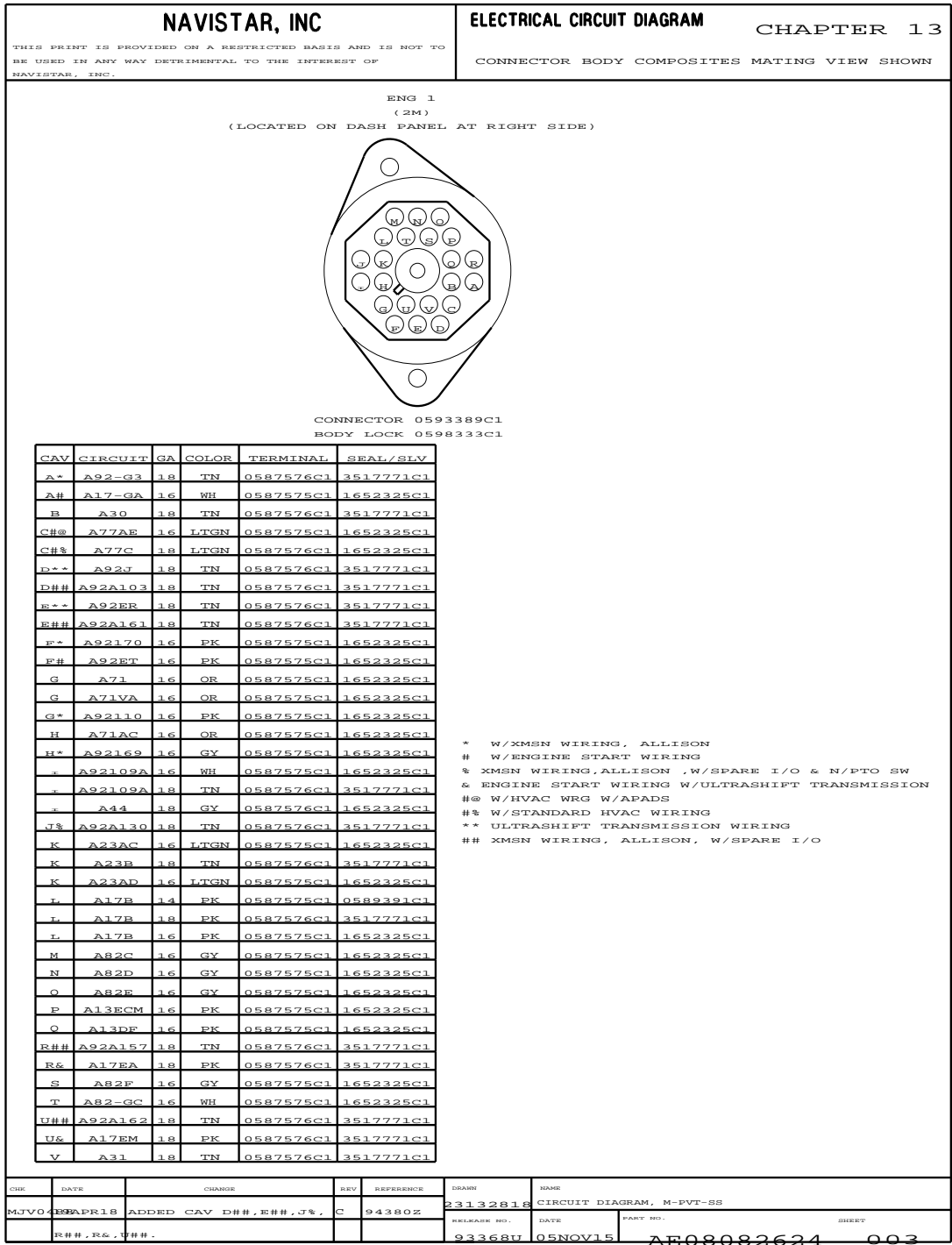


Figure 312 Connector Composites (2M)

13.6. CONNECTOR COMPOSITES (3 / 3M / 4M / 8A / 9M), P. 4

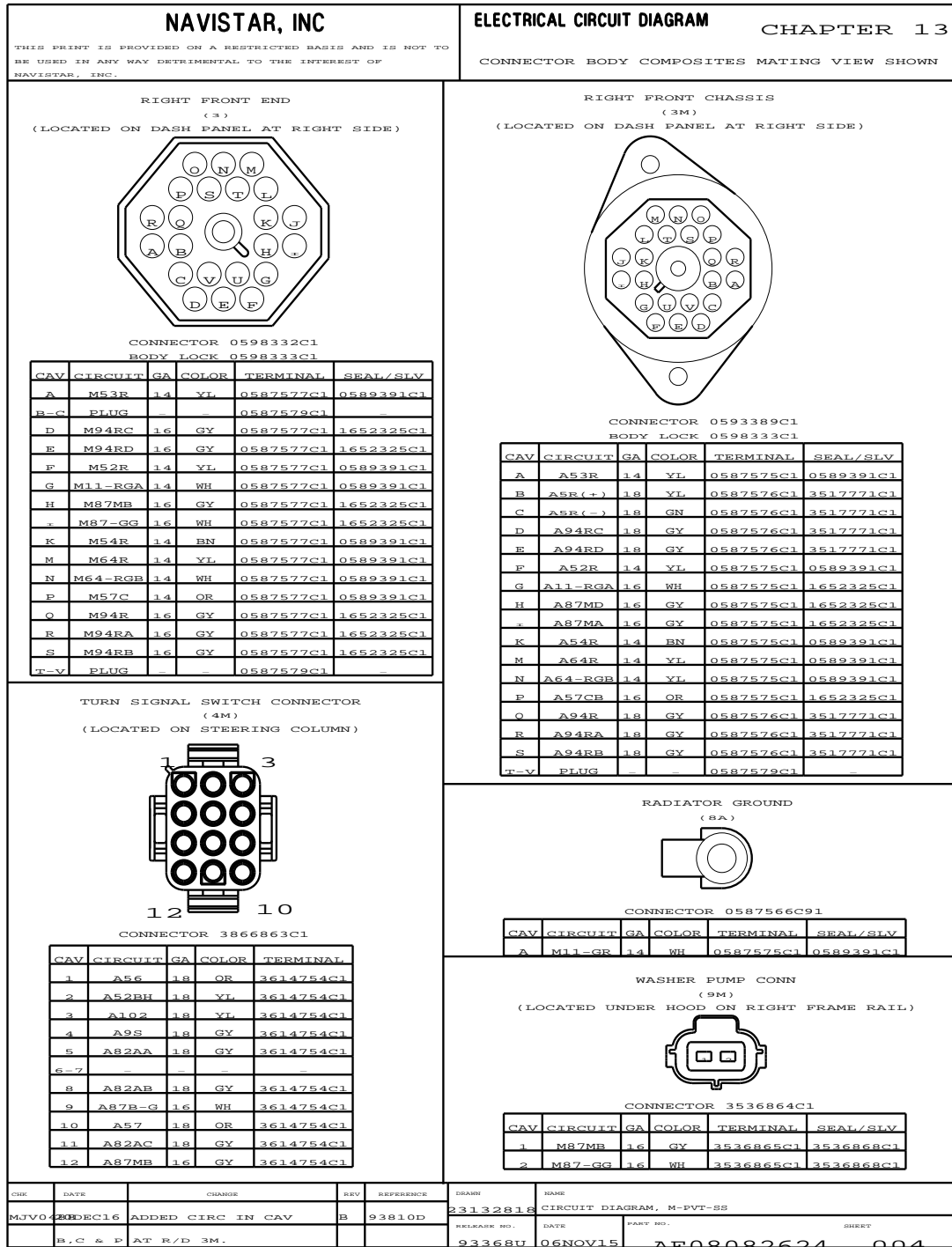


Figure 313 Connector Composites (3 / 3M / 4M / 8A / 9M)

13.7. CONNECTOR COMPOSITES (16B), P. 4A

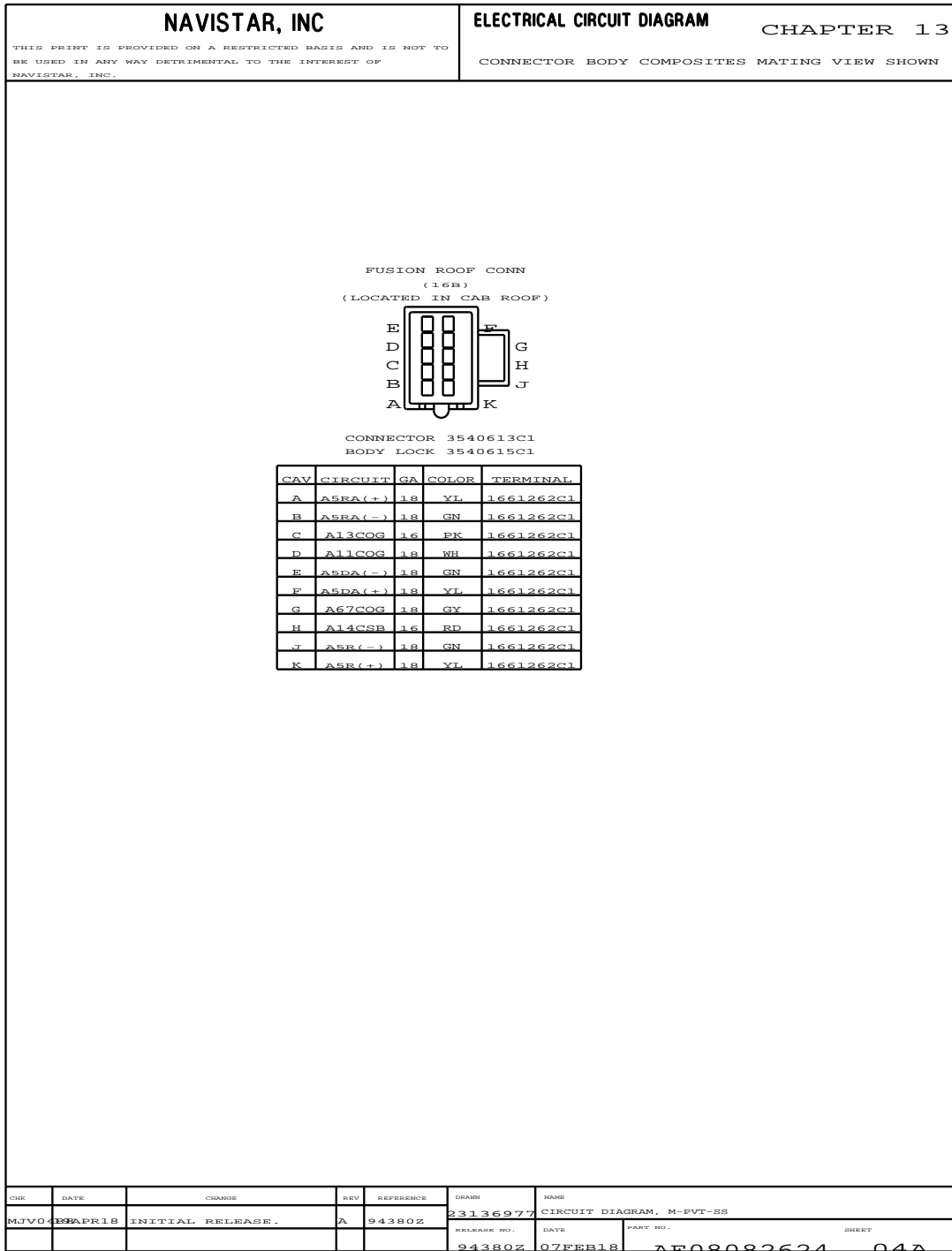


Figure 314 Connector Composites (16B)

13.8. CONNECTOR COMPOSITES (18M / 20 / 40M / 48 / 49 / 71), P. 5

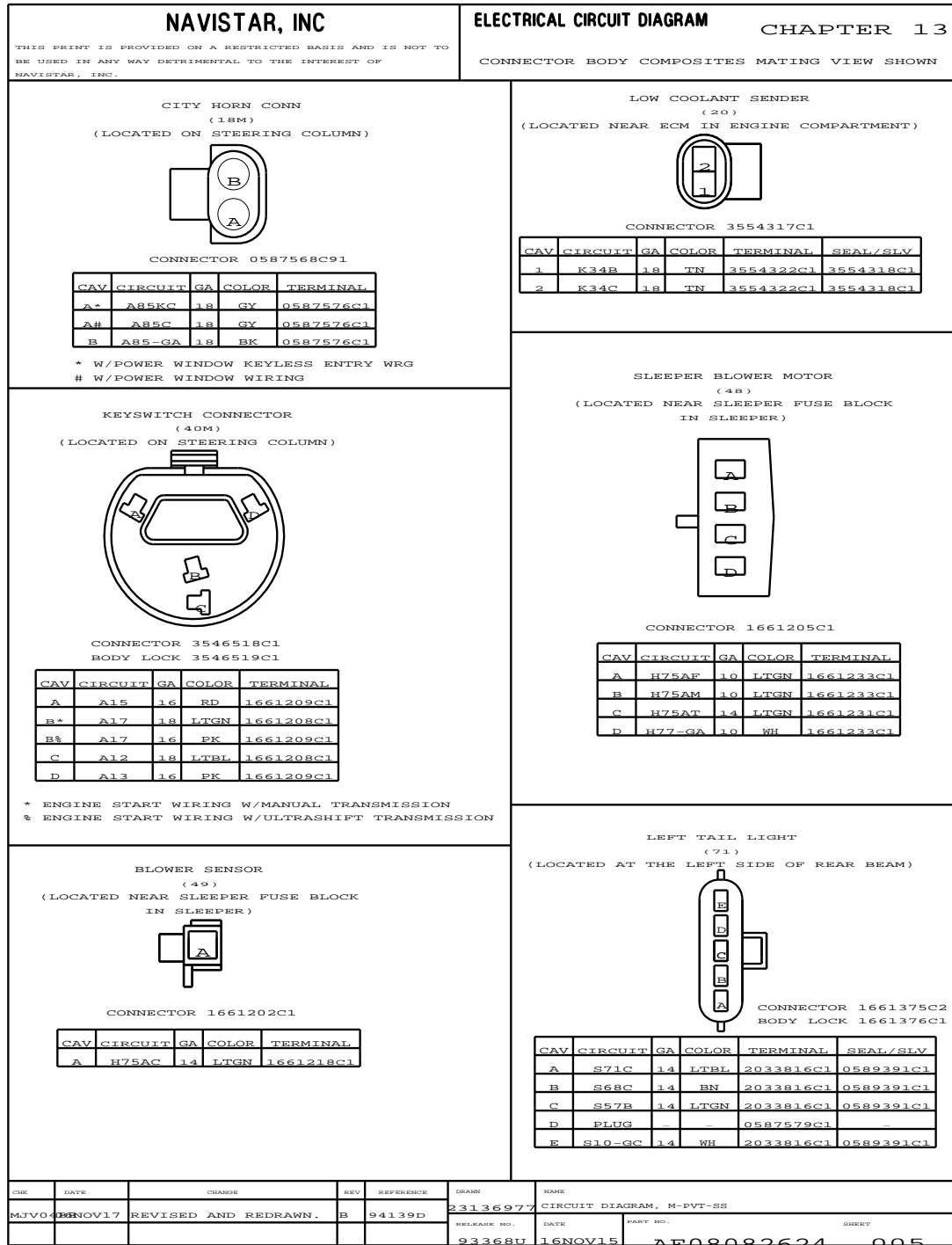


Figure 315 Connector Composites (18M / 20 / 40M / 48 / 49 / 71)

13.9. CONNECTOR COMPOSITES (72 / 76M / 90M), P. 5A

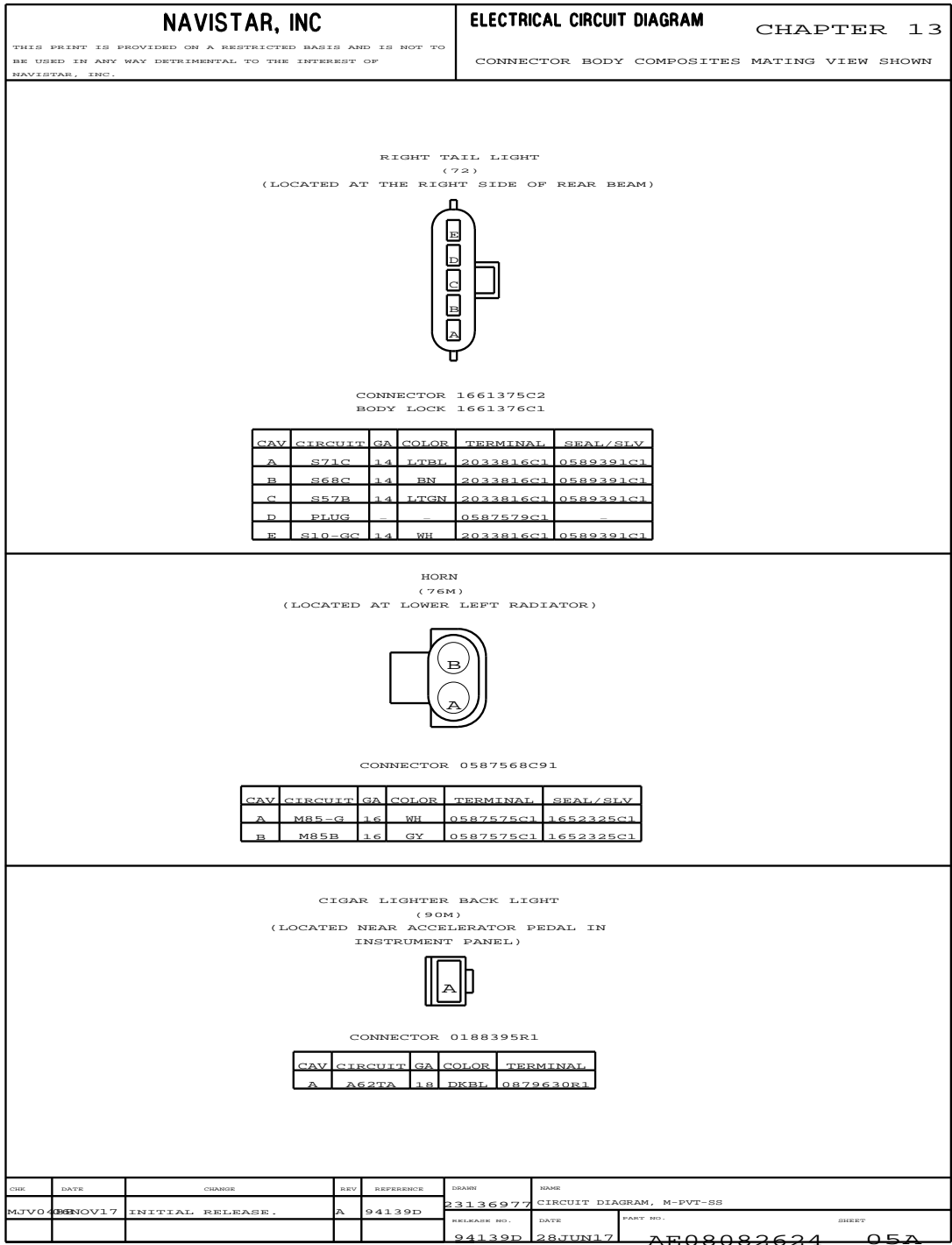


Figure 316 Connector Composites (72 / 76M / 90M)

13.10. CONNECTOR COMPOSITES (101 / 100M3), P. 6

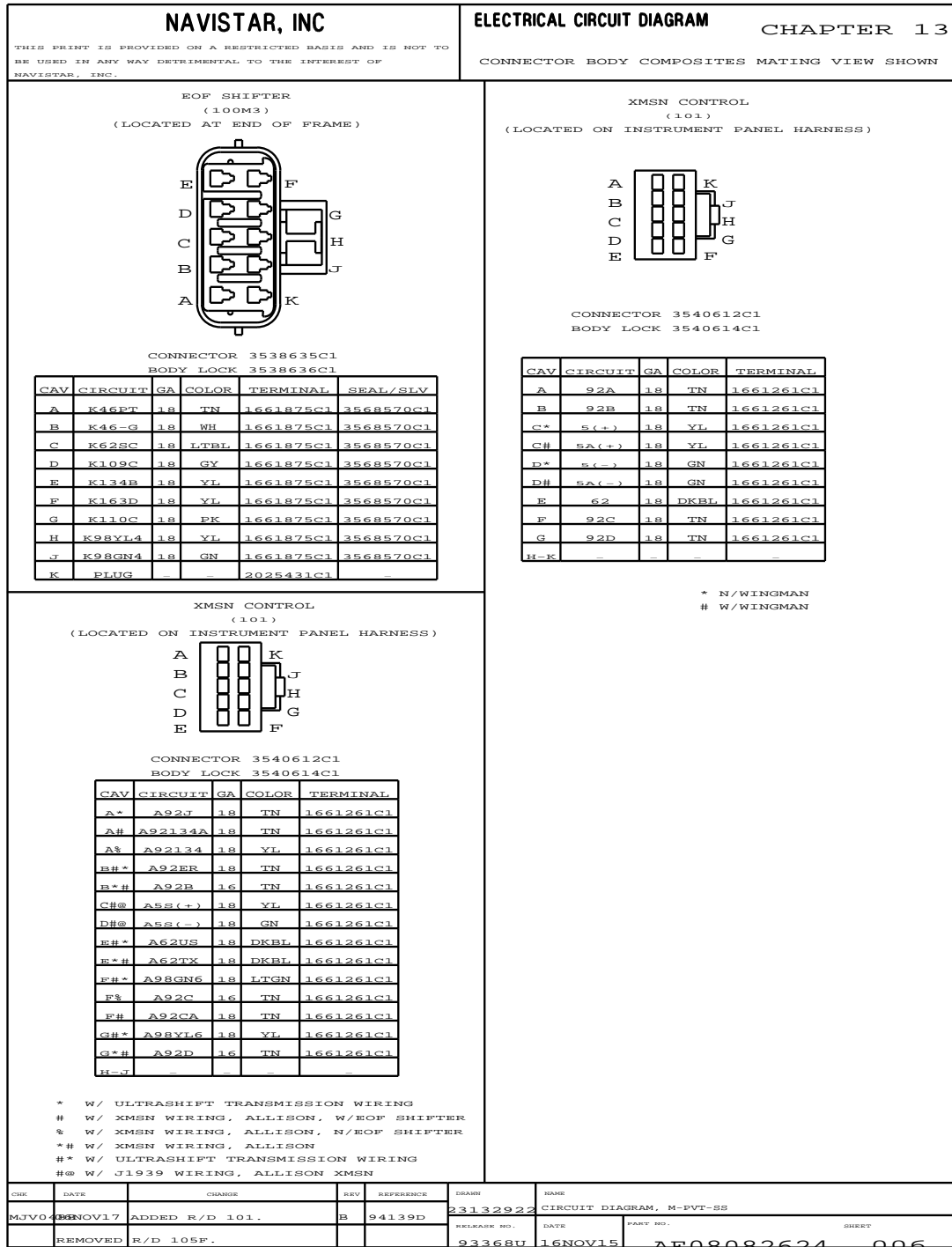


Figure 317 Connector Composites (101 / 100M3)

13.11. CONNECTOR COMPOSITES (105F), P. 6A

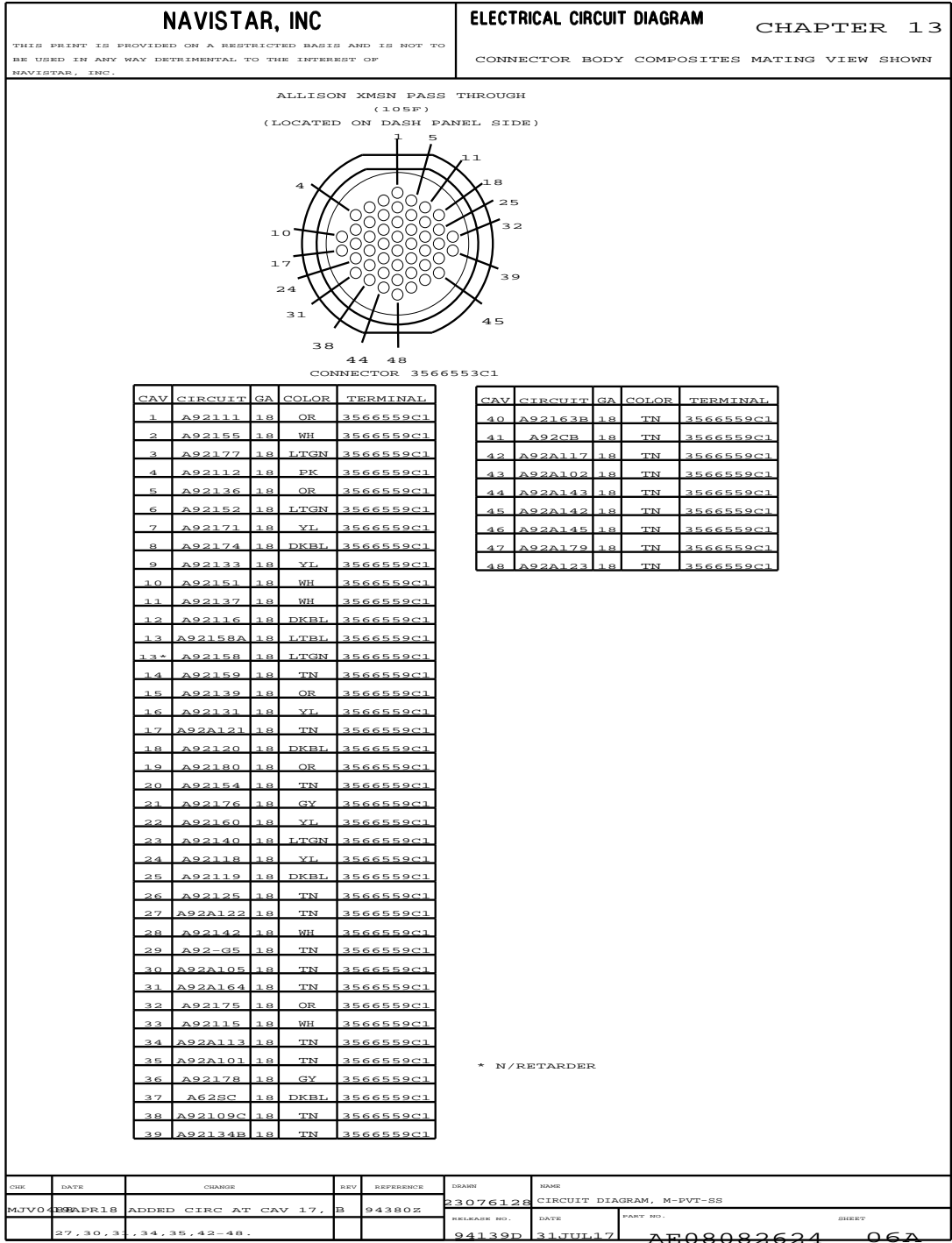


Figure 318 Connector Composites (105F)

13.12. CONNECTOR COMPOSITES (105M), P. 7

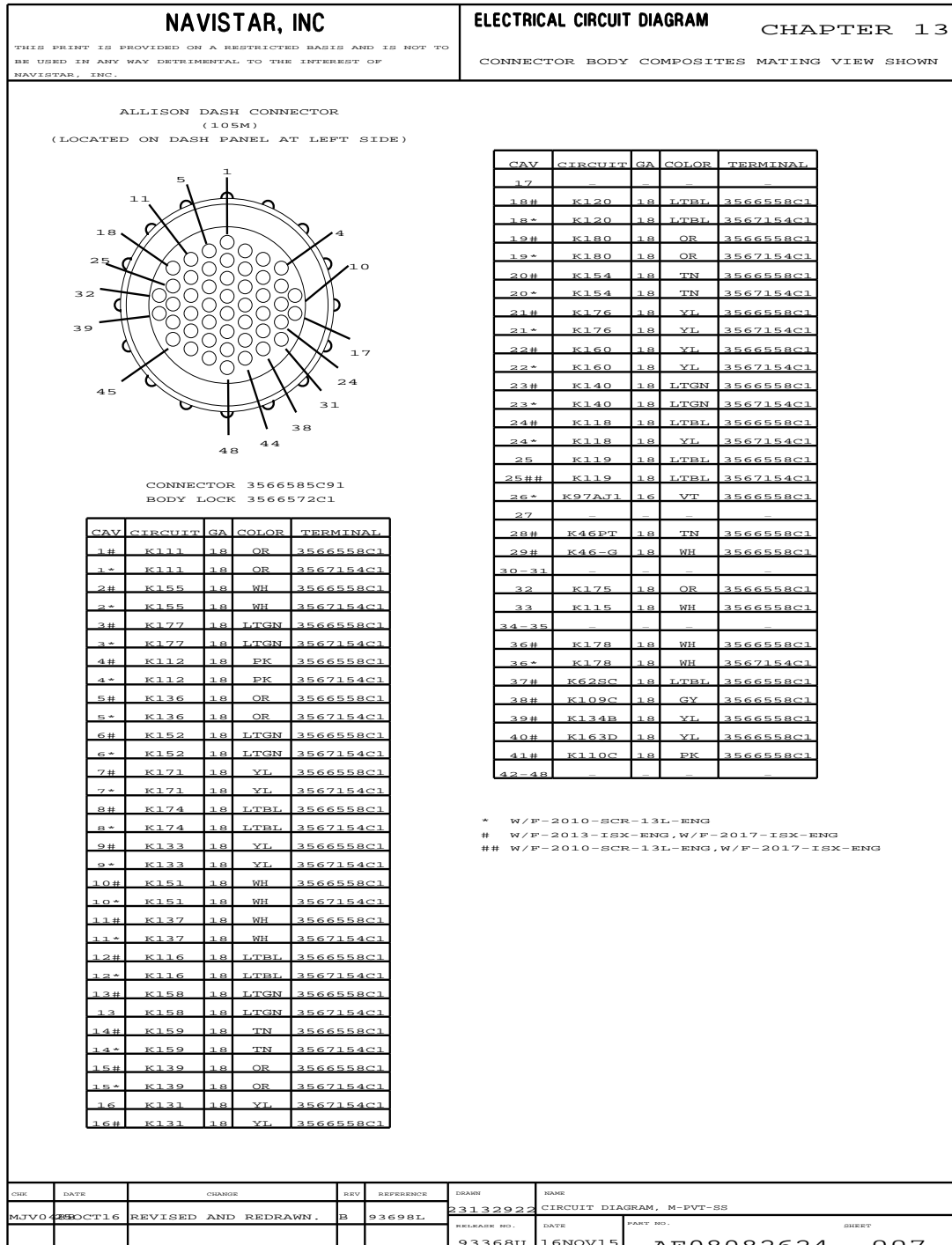


Figure 319 Connector Composites (105M)

13.13. CONNECTOR COMPOSITES (105M), P. 7A

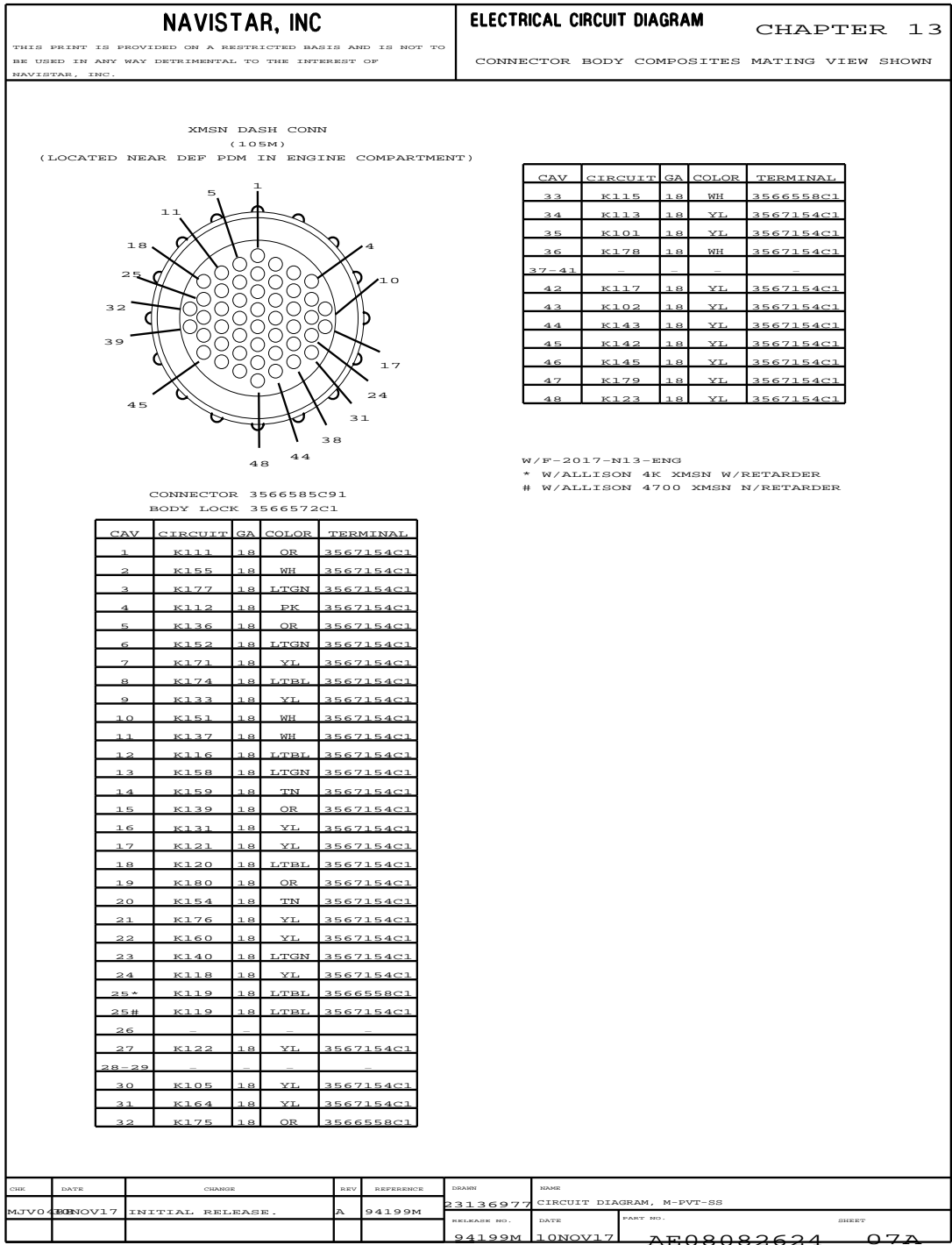


Figure 320 Connector Composites (105M)

13.14. CONNECTOR COMPOSITES (110 / 110A), P. 8

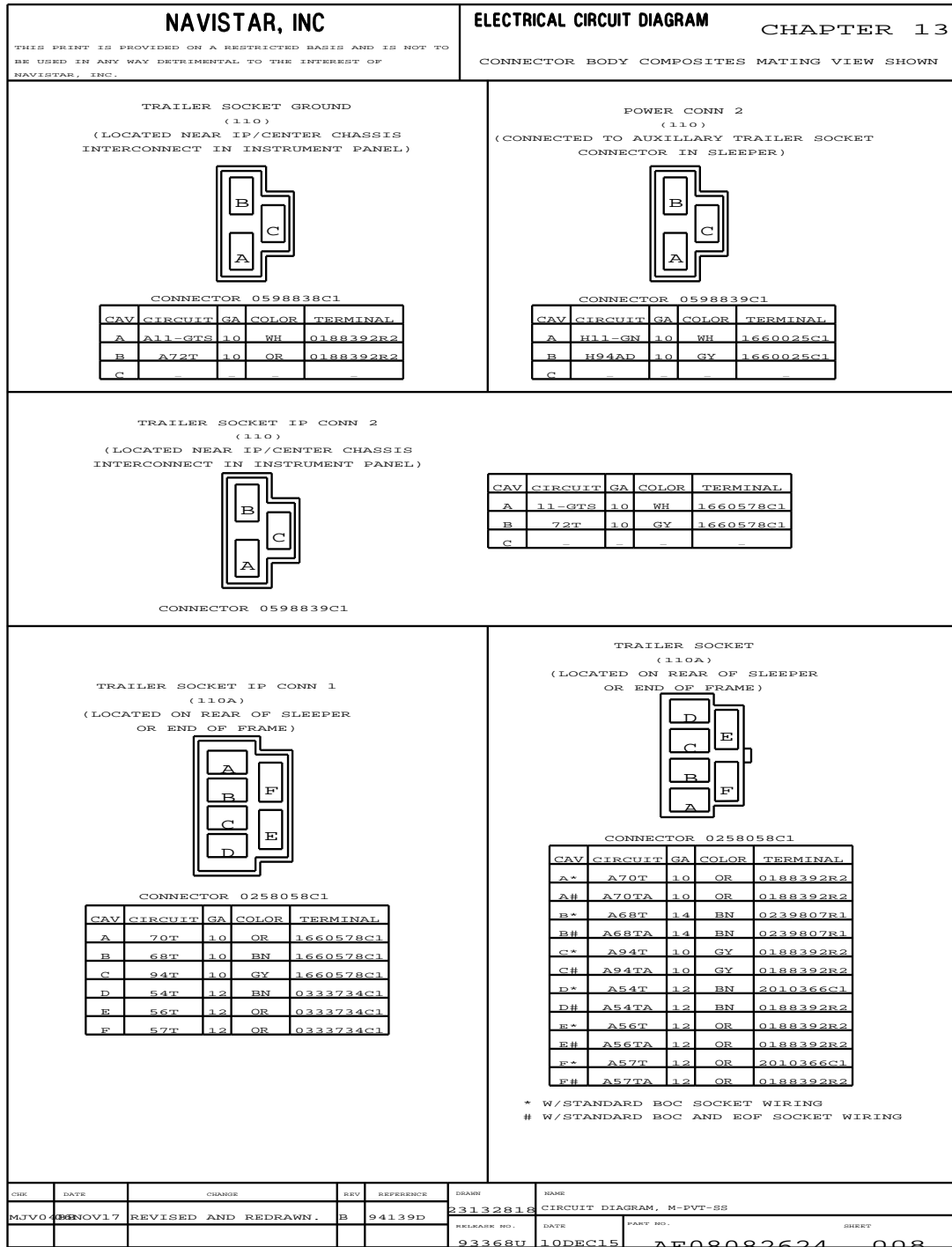


Figure 321 Connector Composites (110 / 110A)

13.15. CONNECTOR COMPOSITES (110A / 110B / 110C / 112 / 115), P. 8A

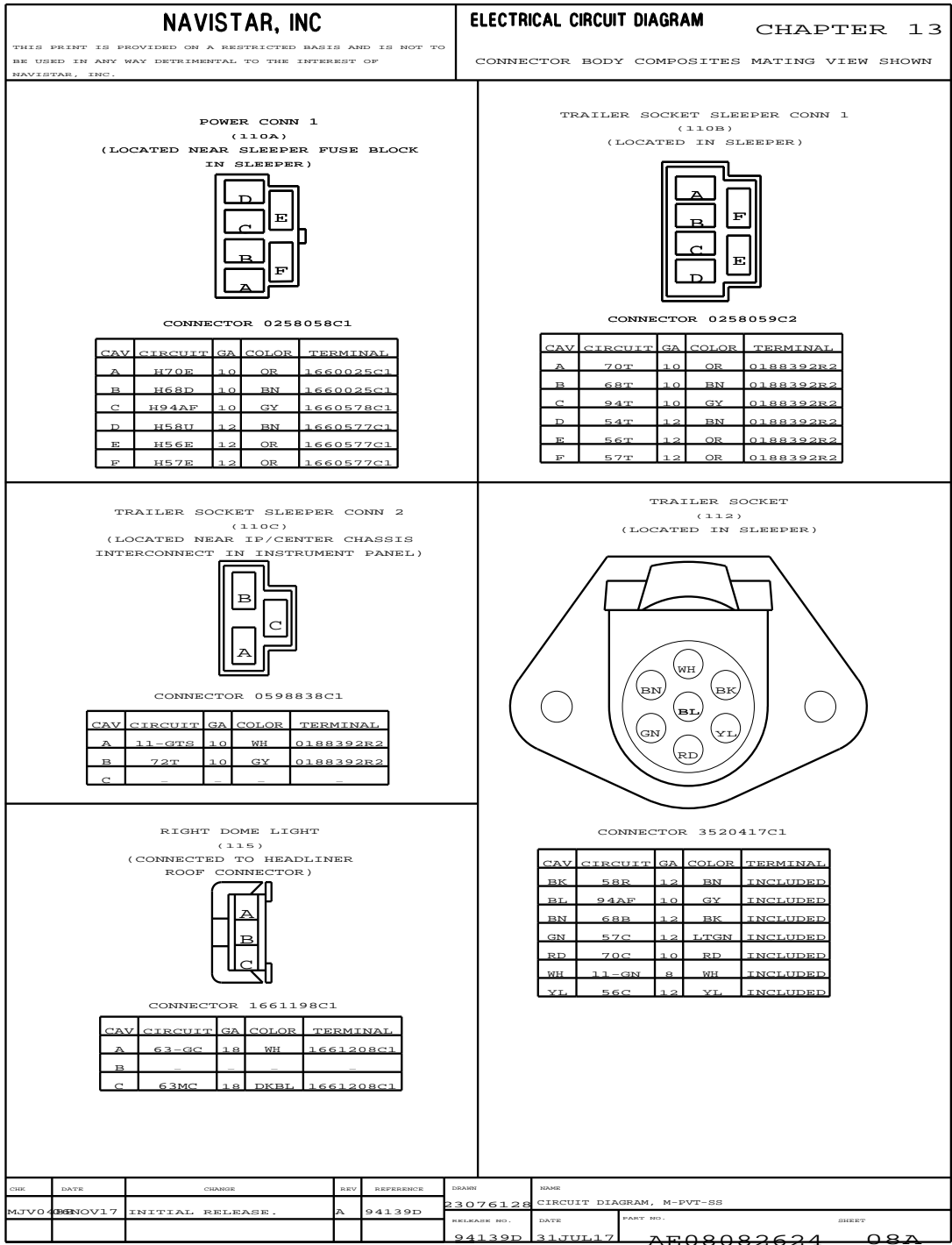


Figure 322 Connector Composites (110A / 110B / 110C / 112 / 115)

13.16. CONNECTOR COMPOSITES (116 / 117 / 118 / 141F / 161M / 162F), P. 8B

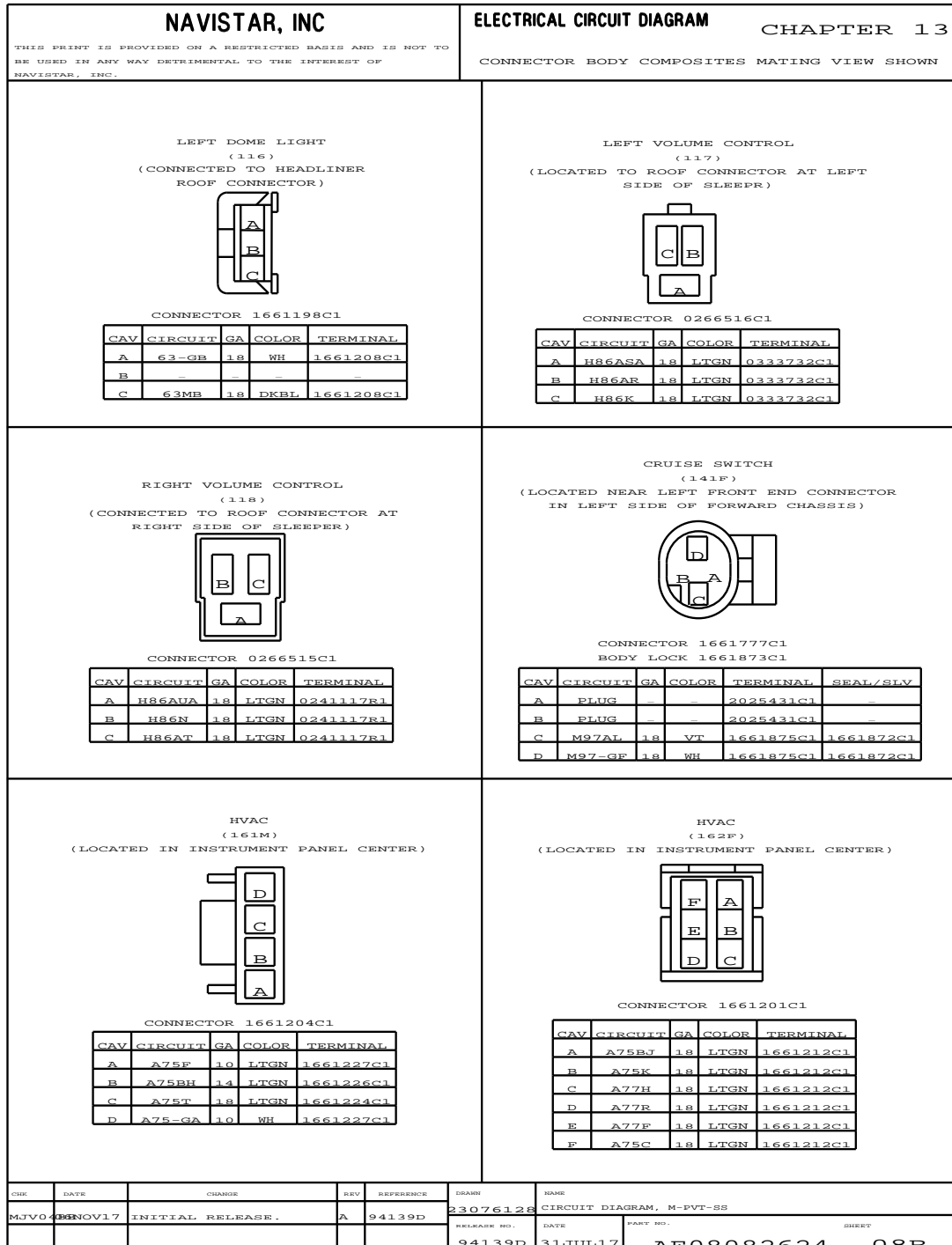


Figure 323 Connector Composites (116 / 117 / 118 / 141F / 161M / 162F)

13.17. CONNECTOR COMPOSITES (190), P. 9

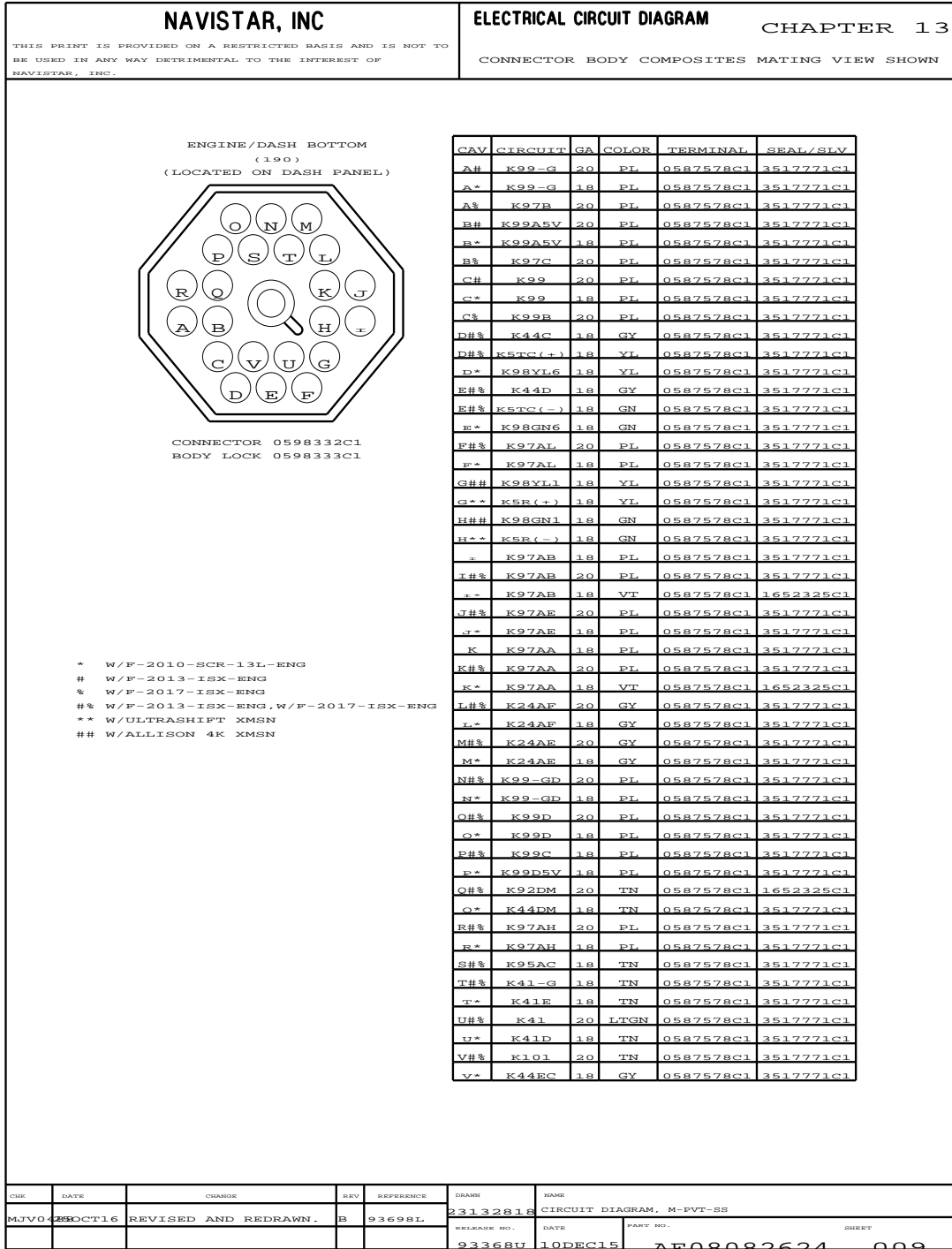


Figure 324 Connector Composites (190)

13.18. CONNECTOR COMPOSITES (190) (CONT.), P. 9A

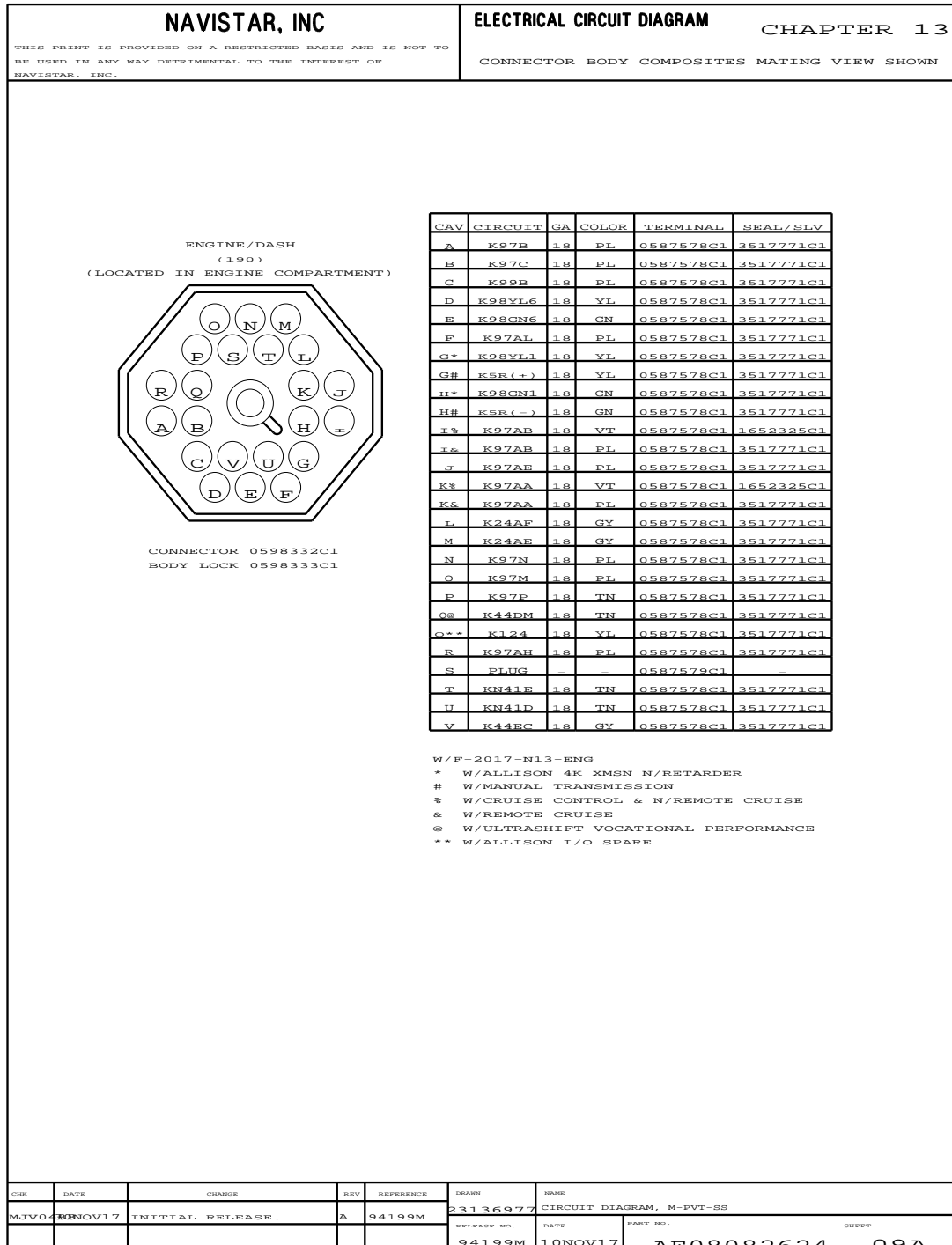


Figure 325 Connector Composites (190) (Cont.)

13.19. CONNECTOR COMPOSITES (190M / 203 / 204 / 205), P. 10

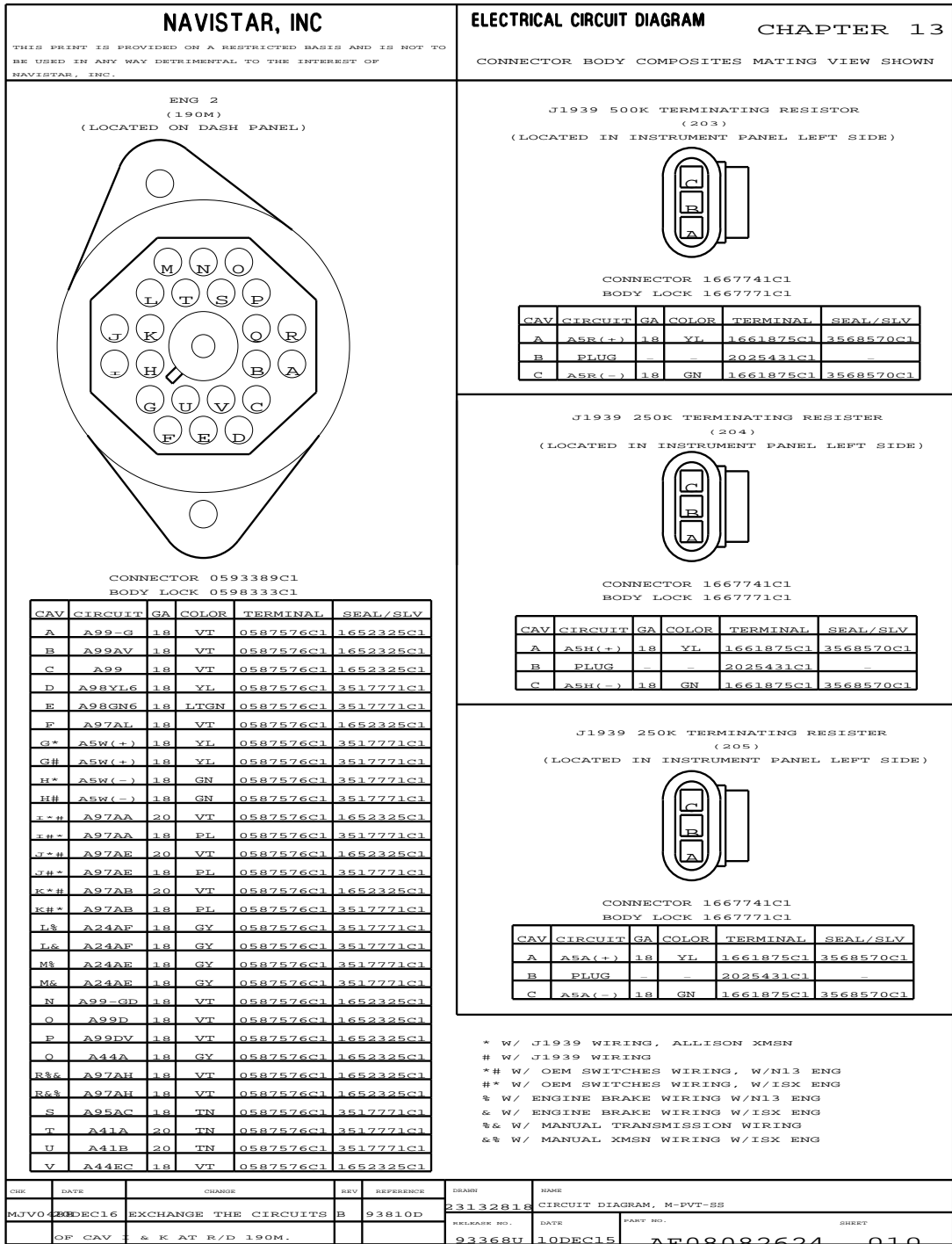


Figure 326 Connector Composites (190M / 203 / 204 / 205)

13.20. CONNECTOR COMPOSITES (227 / *228 / %228 / *236 / 254M / 267M / *275), P. 11

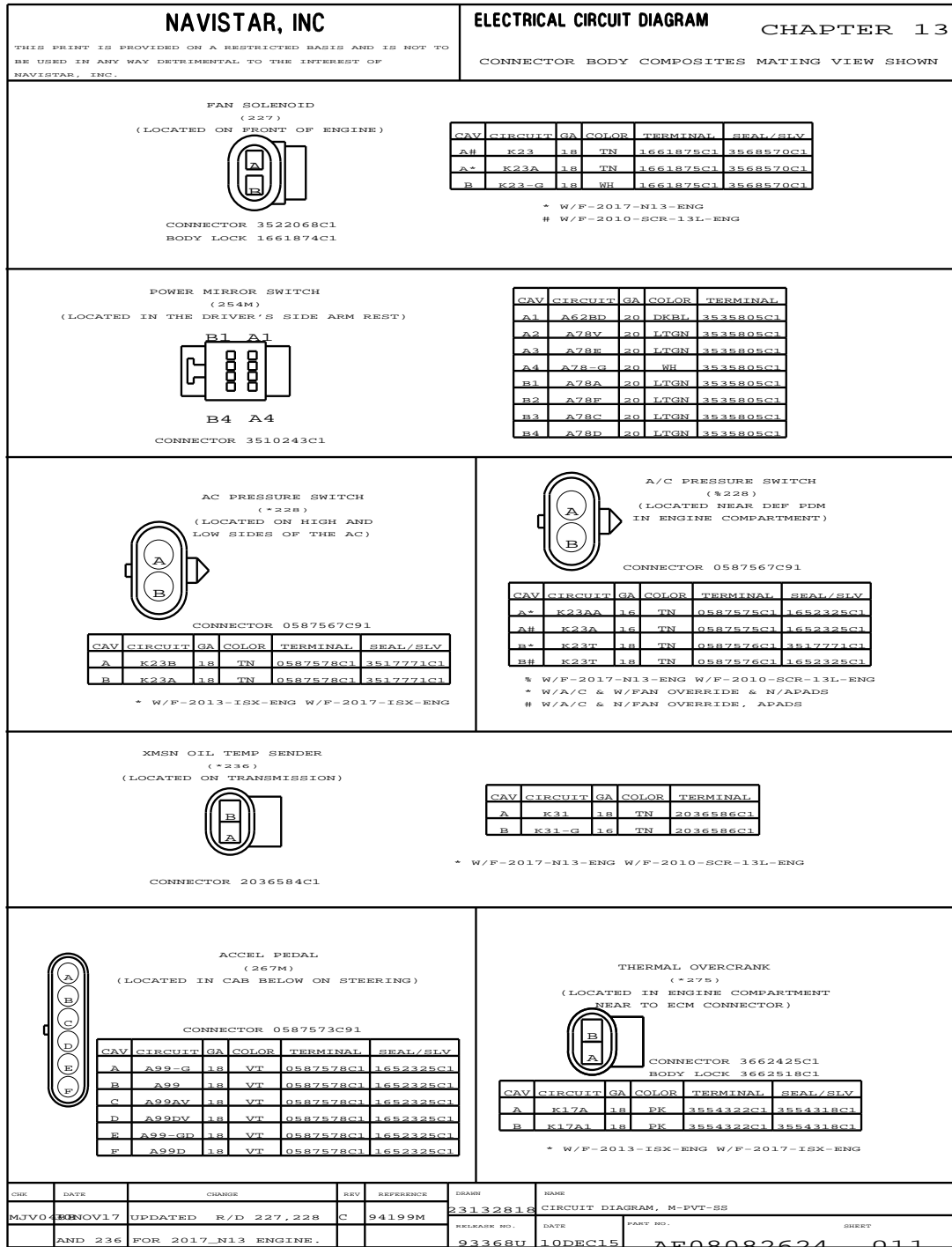


Figure 327 Connector Composites (227 / *228 / %228 / *236 / 254M / 267M / *275)

13.21. CONNECTOR COMPOSITES (289F / 289F2 / 289F3 / 290F / 291F / 292F / 292F1 / 294A / 294F), P. 12

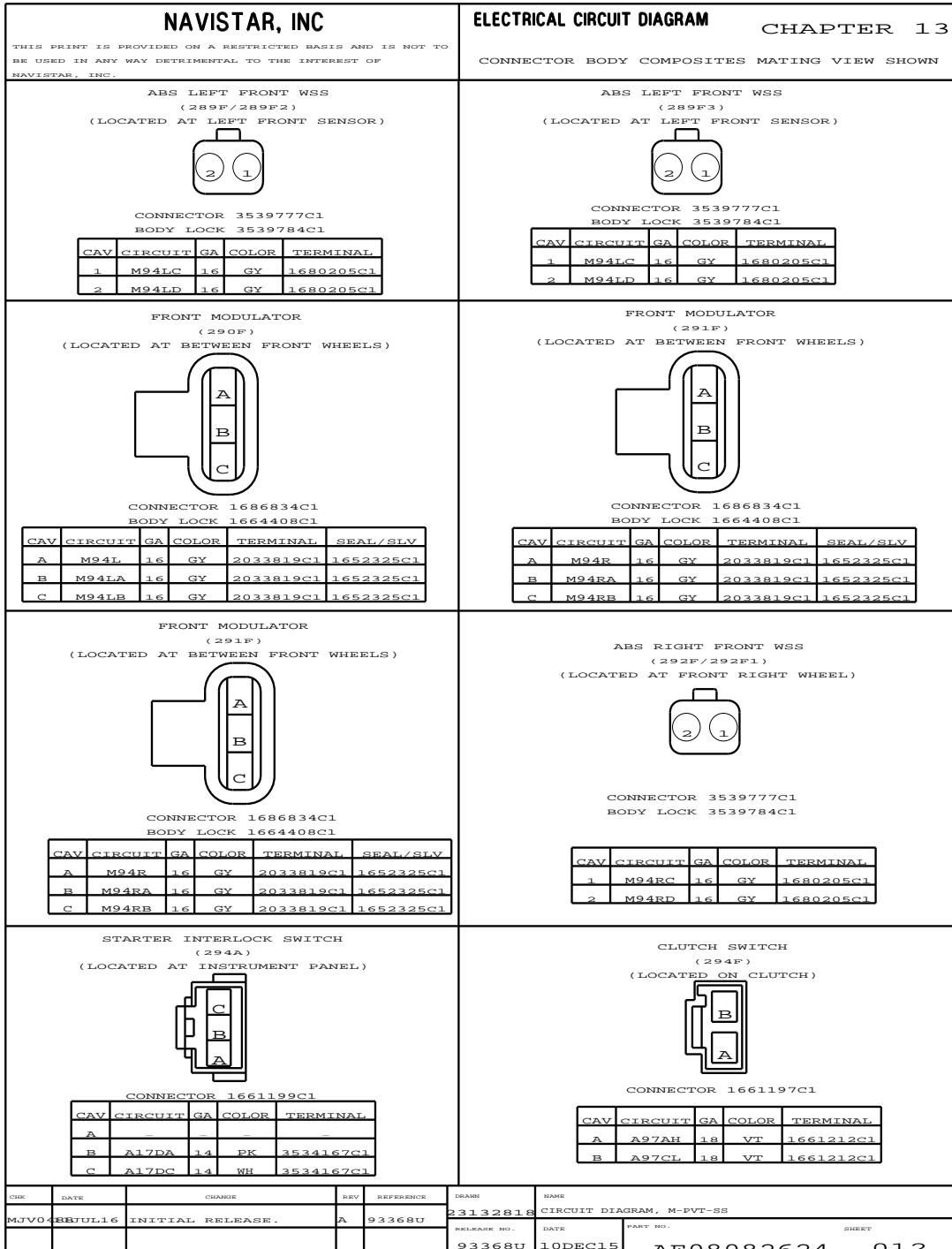


Figure 328 Connector Composites (289F / 289F2 / 289F3 / 290F / 291F / 292F / 292F1 / 294A / 294F)

13.22. CONNECTOR COMPOSITES (303M / 344 / 345F/ 369 / 371 / 372M), P. 13

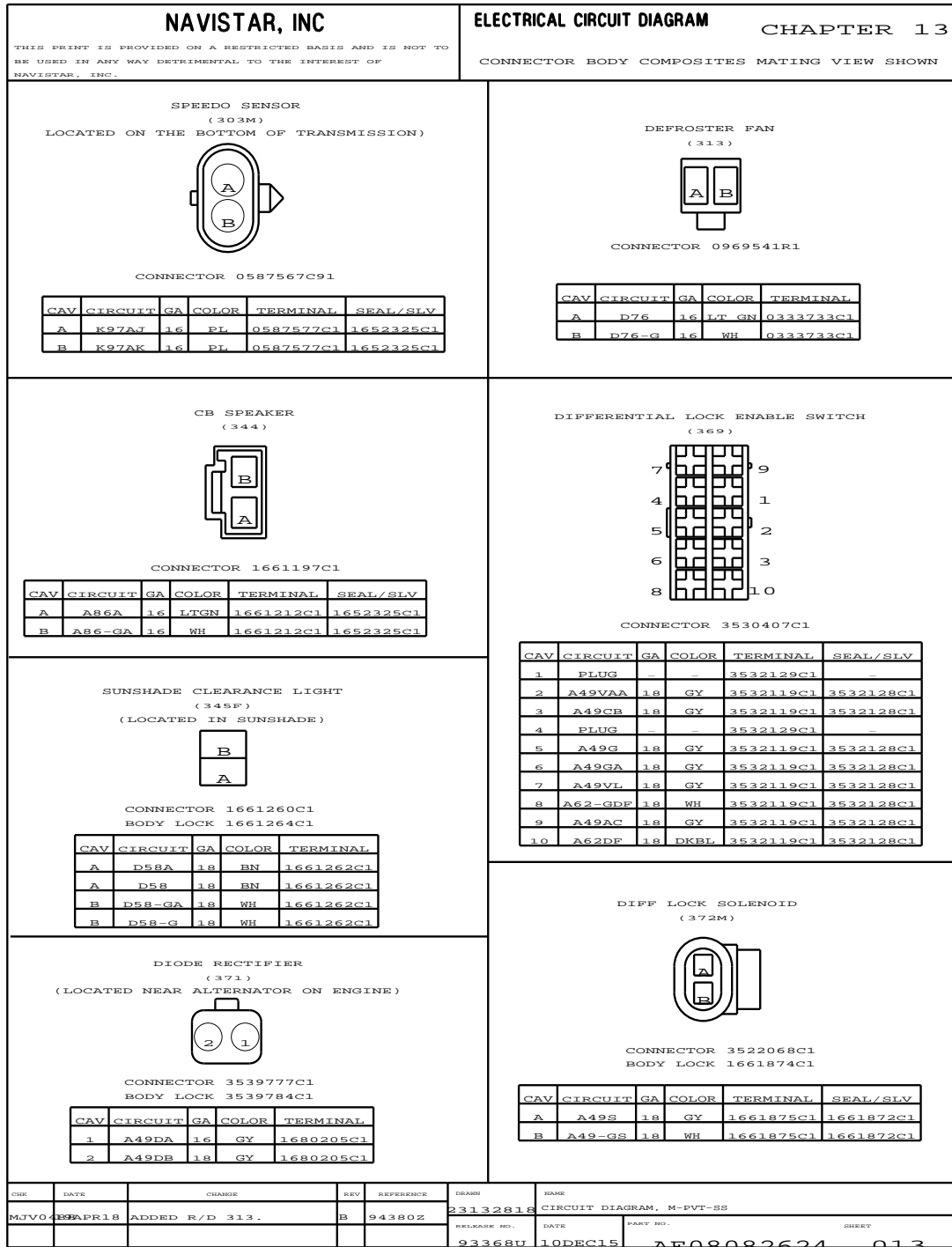


Figure 329 Connector Composites (303M / 344 / 345F/ 369 / 371 / 372M)

13.23. CONNECTOR COMPOSITES (374M / 400 / 401 / 417 / 418), P. 14

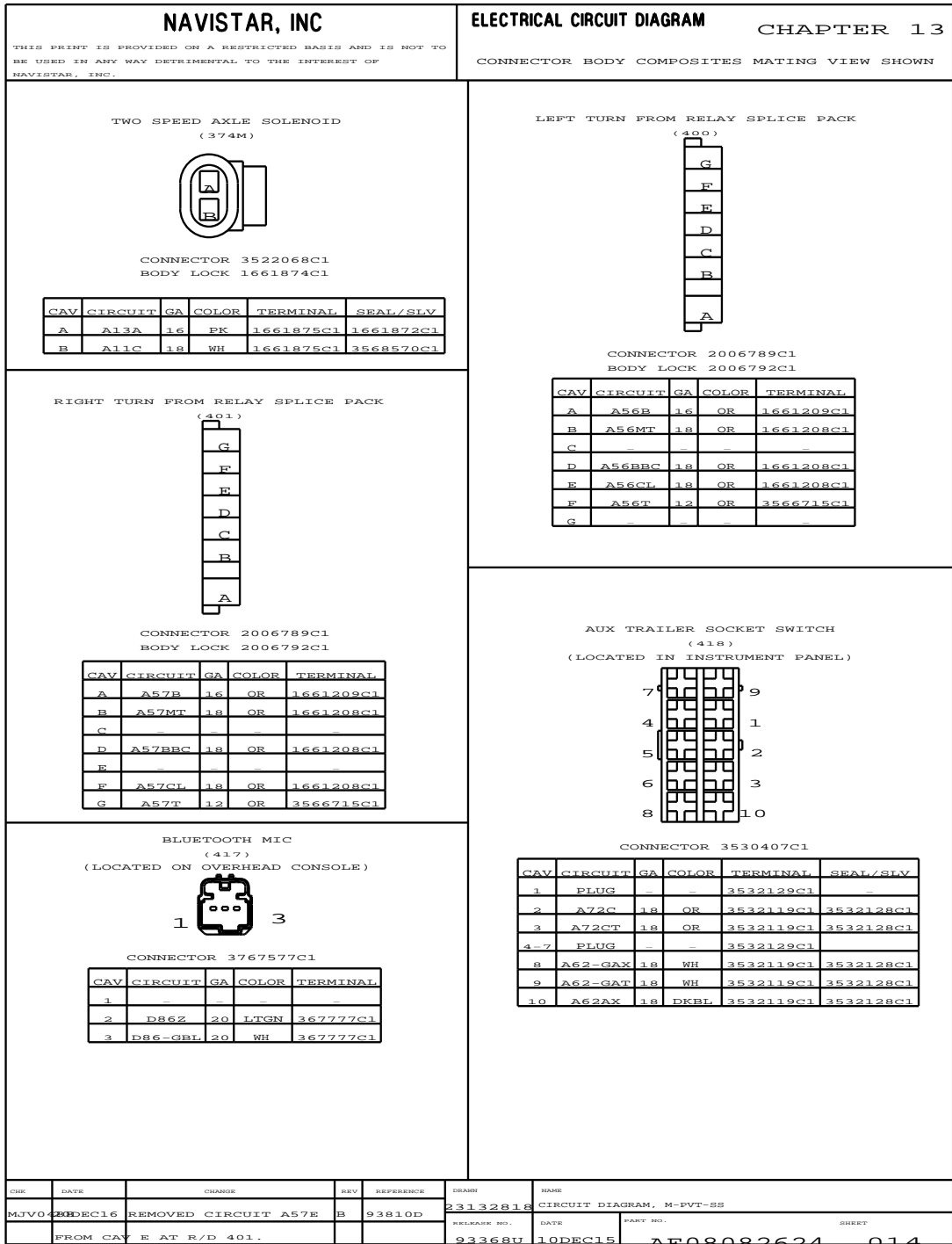


Figure 330 Connector Composites (374M / 400 / 401 / 417 / 418)

13.24. CONNECTOR COMPOSITES (421M / 422M / 425M), P. 15

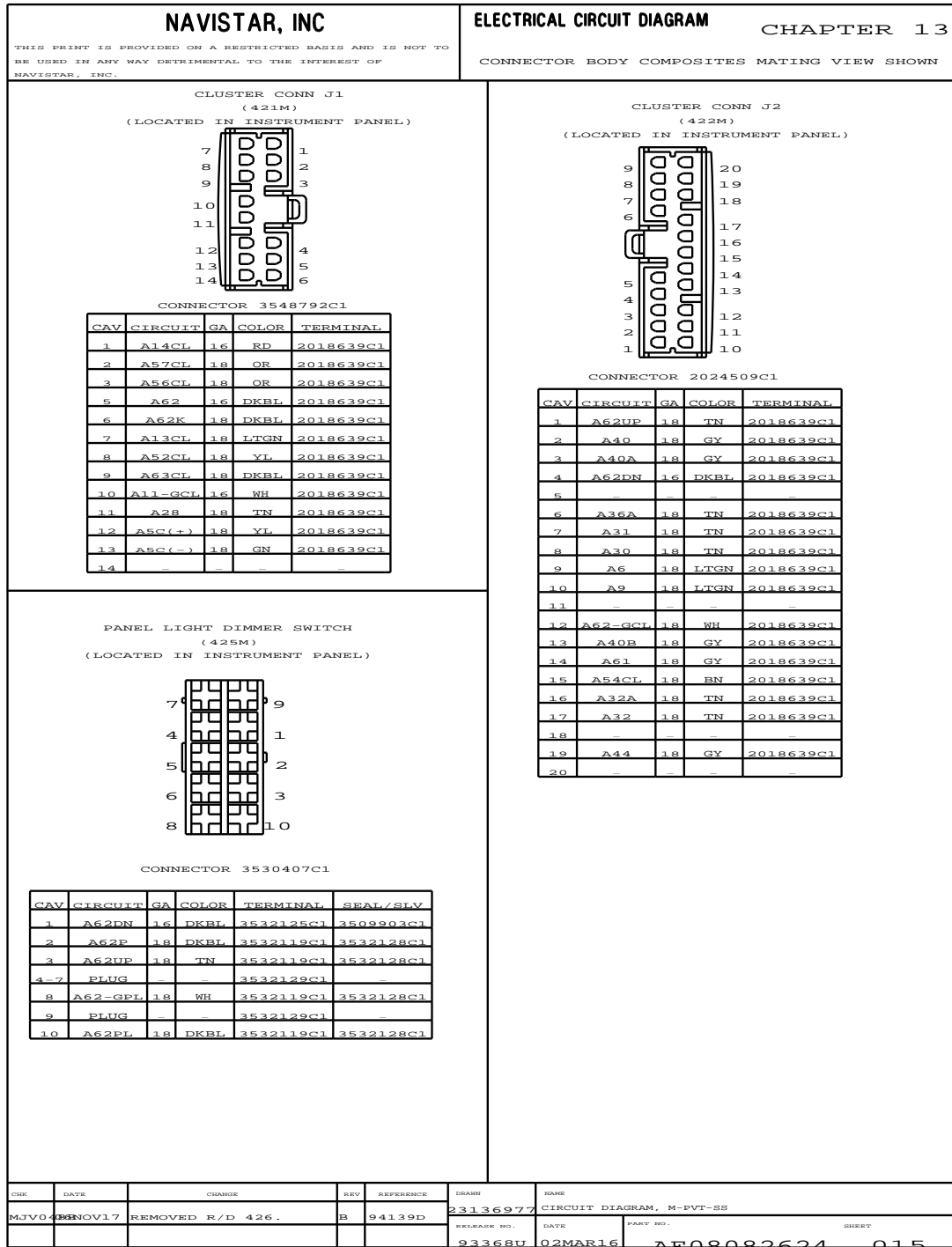


Figure 331 Connector Composites (421M / 422M / 425M)

13.25. CONNECTOR COMPOSITES (426), P. 15A

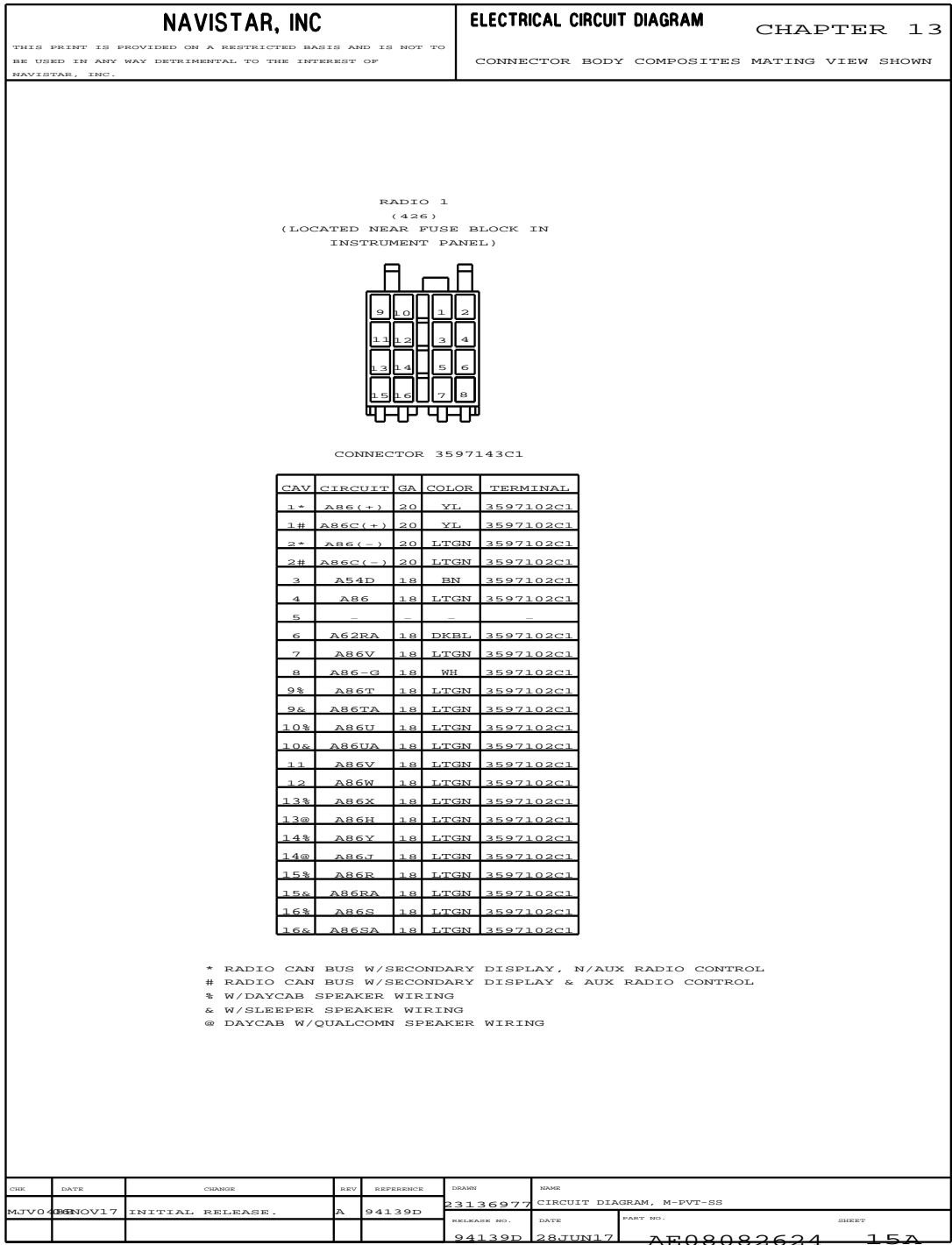


Figure 332 Connector Composites (426)

13.26. CONNECTOR COMPOSITES (427 / 428F), P. 16

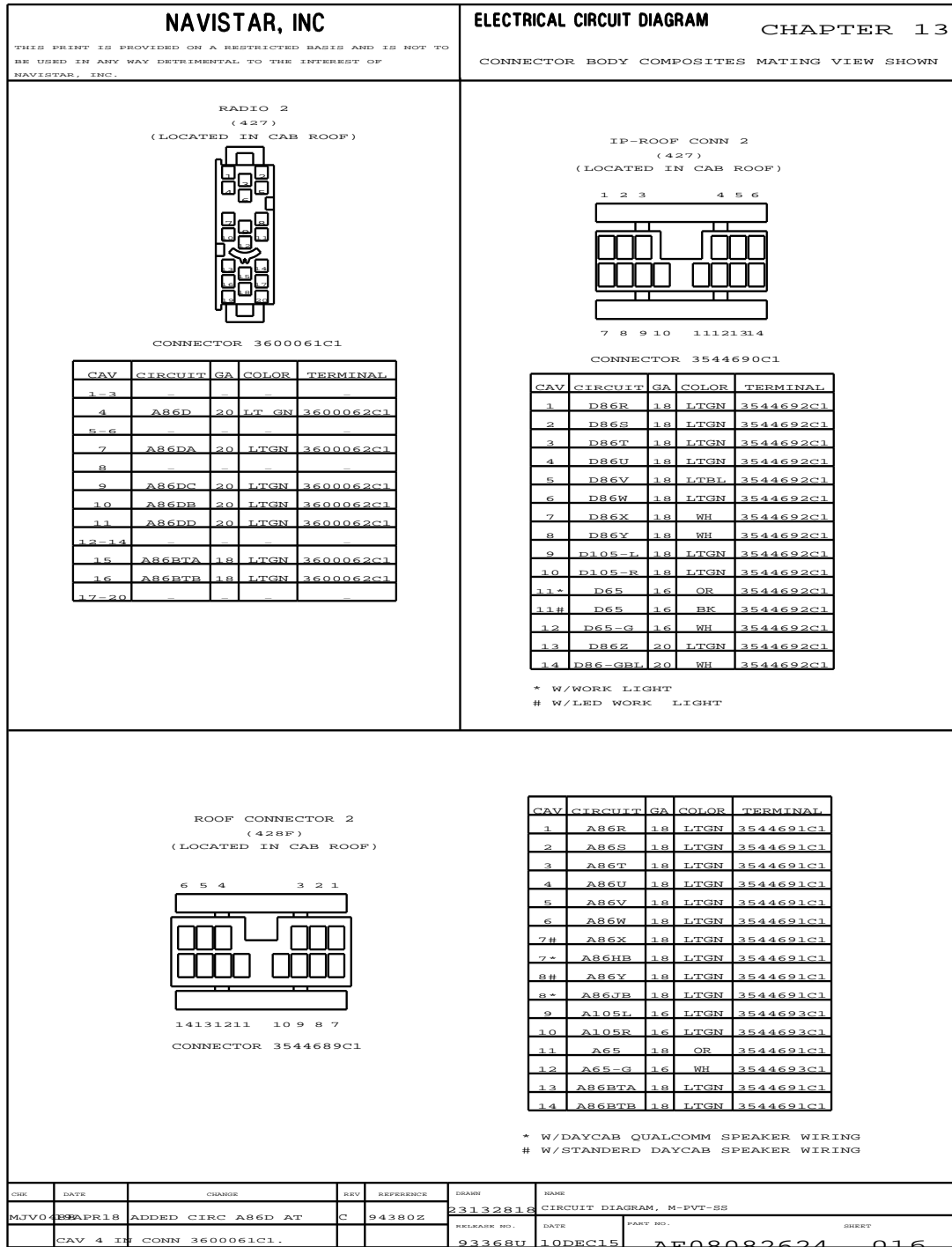


Figure 333 Connector Composites (427 / 428F)

13.27. CONNECTOR COMPOSITES (429 / *430), P. 17

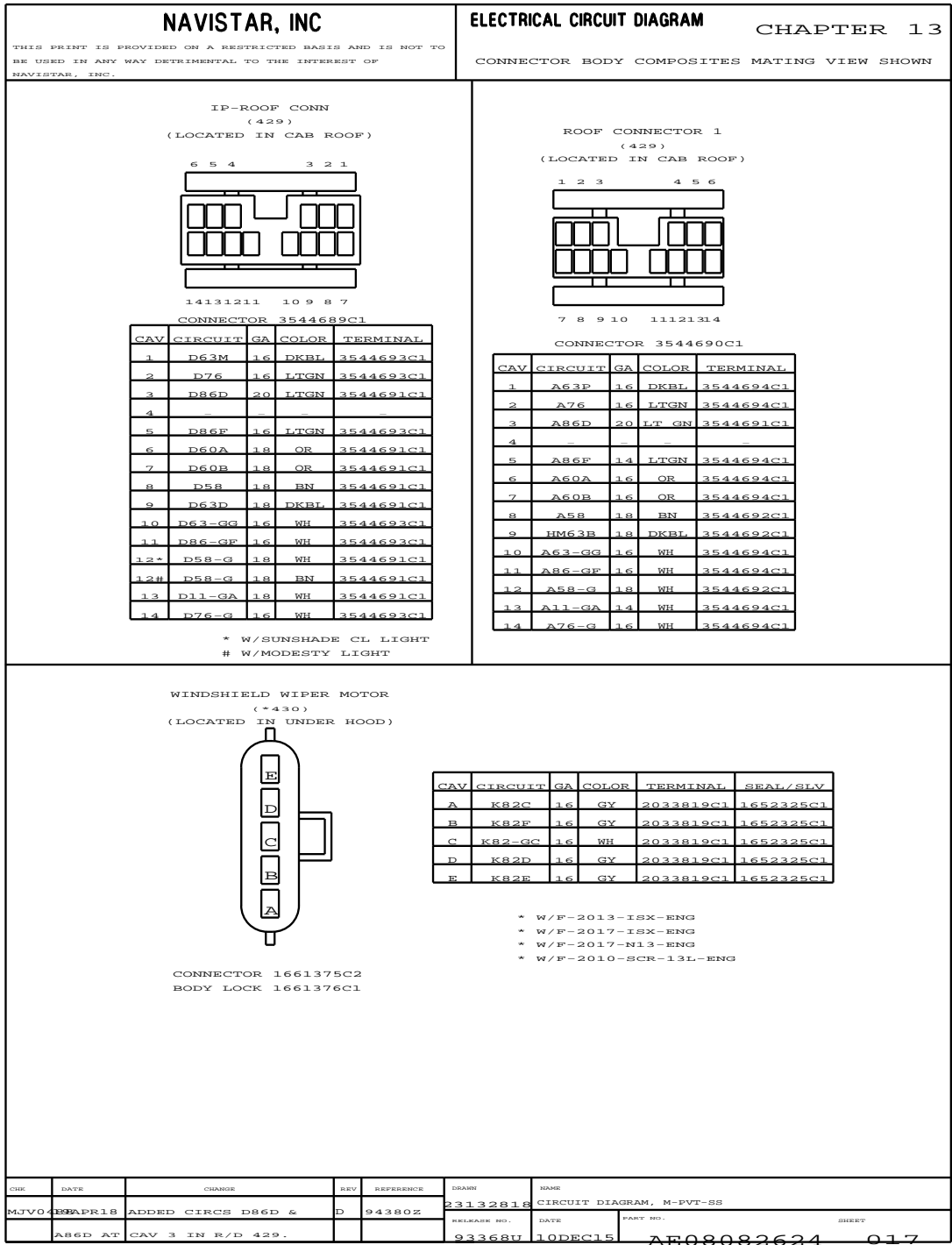


Figure 334 Connector Composites (429 / *430)

13.28. CONNECTOR COMPOSITES (430 / 433M / 434M), P. 18

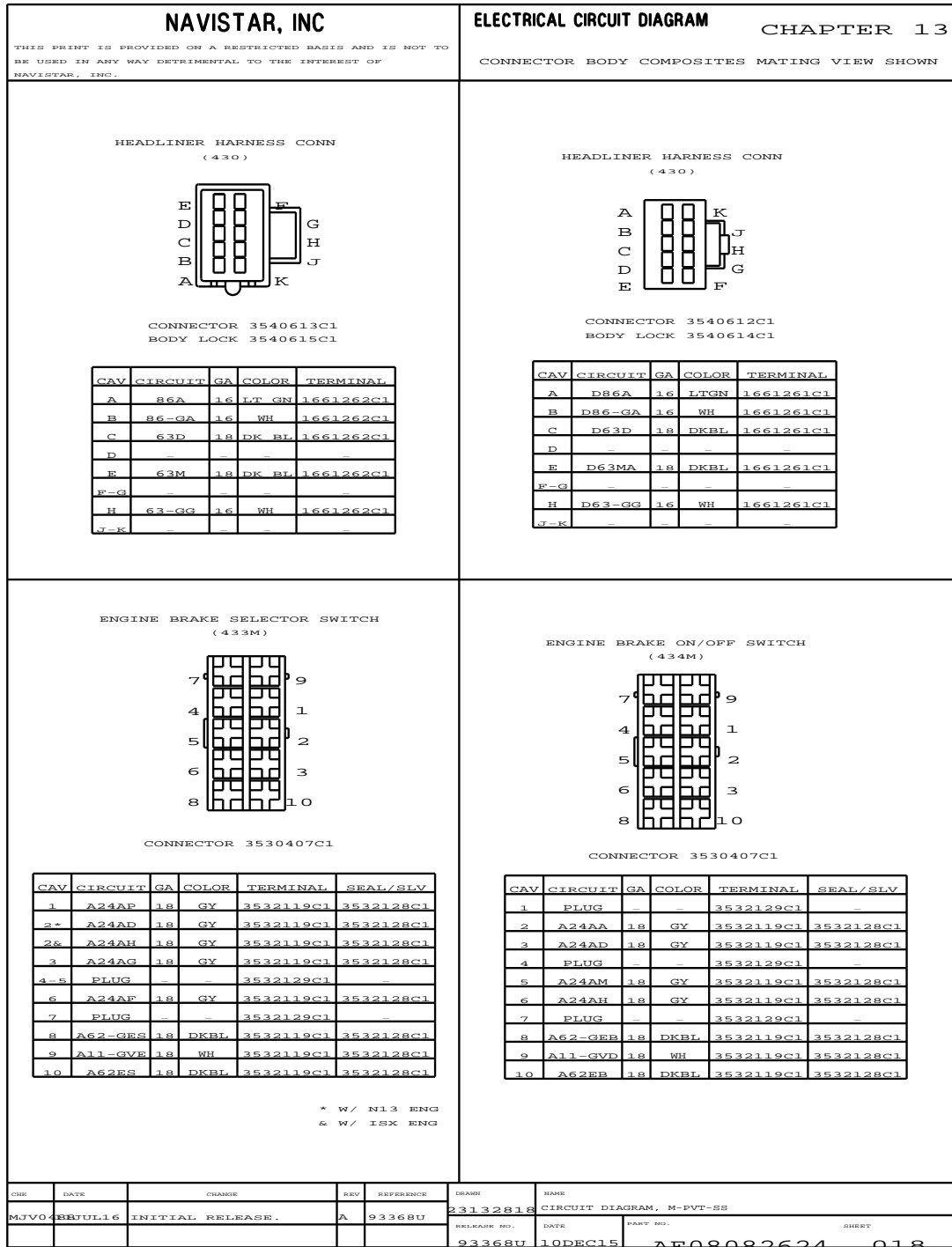


Figure 335 Connector Composites (430 / 433M / 434M)

13.29. CONNECTOR COMPOSITES (435M / 436M / 438M / 440M), P. 19

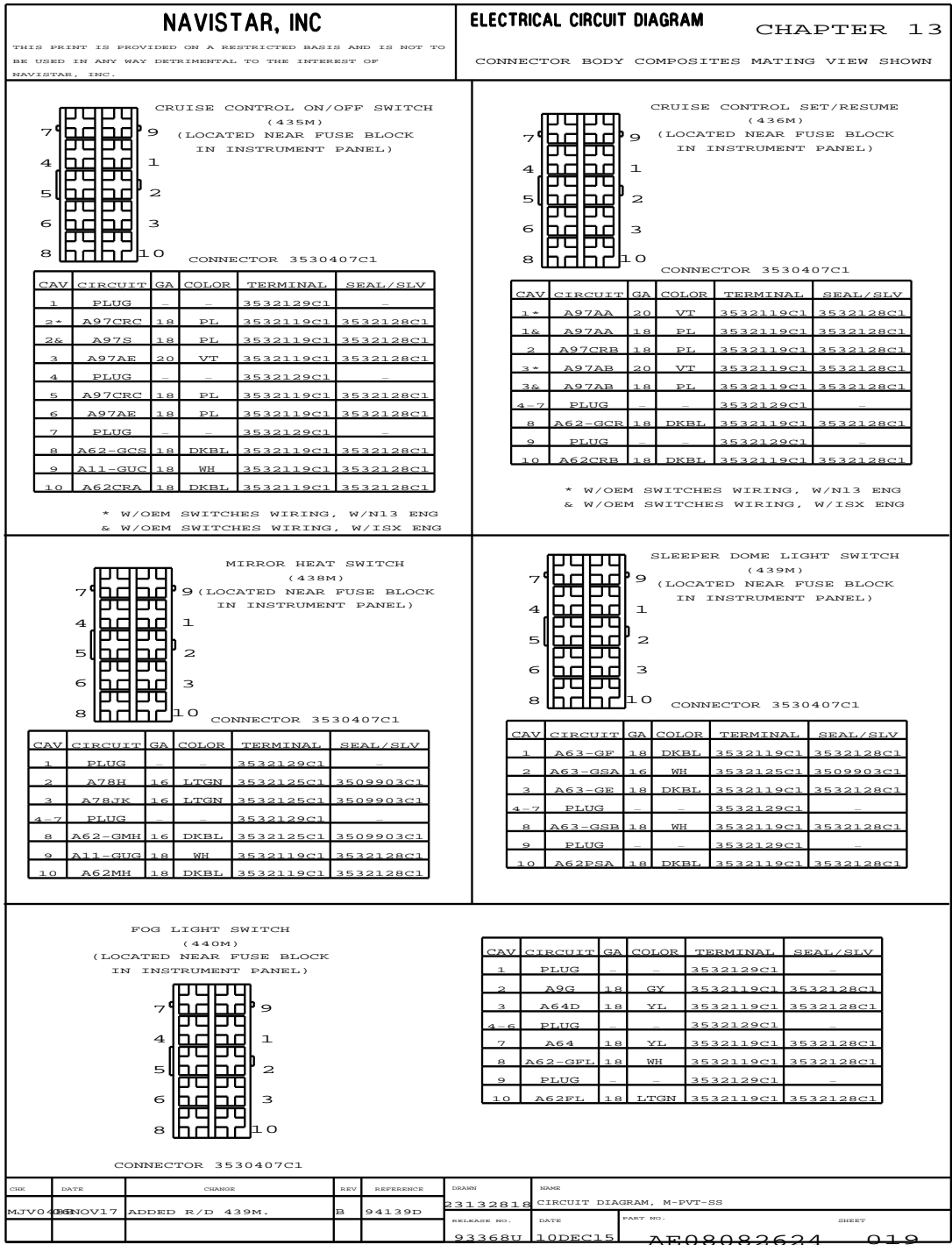


Figure 336 Connector Composites (435M / 436M / 438M / 440M)

13.30. CONNECTOR COMPOSITES (441M / 443 / 443M / 444M / 445M), P. 20

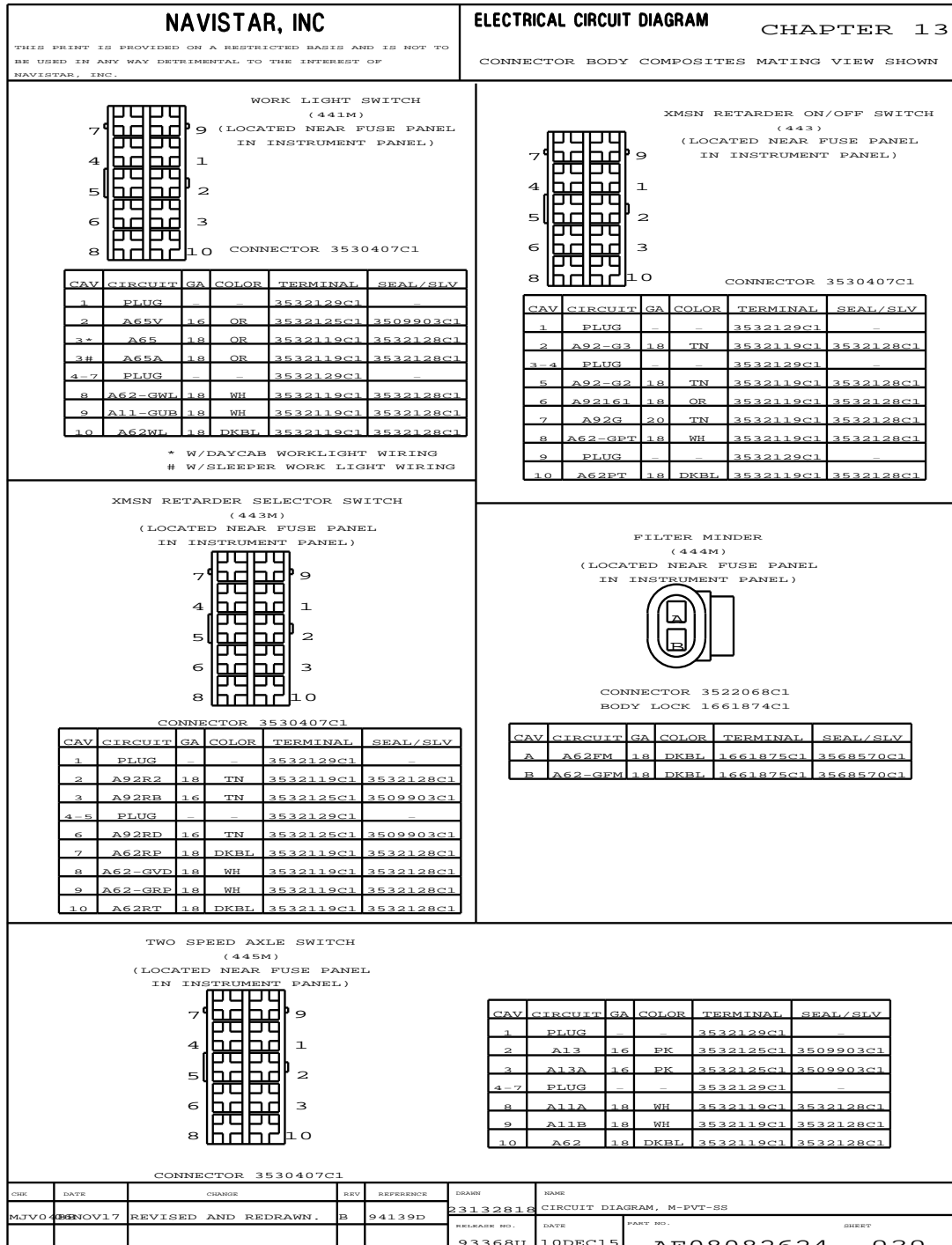


Figure 337 Connector Composites (441M / 443 / 443M / 444M / 445M)

13.31. CONNECTOR COMPOSITES (448M / 449M / 450M / 451M), P. 21

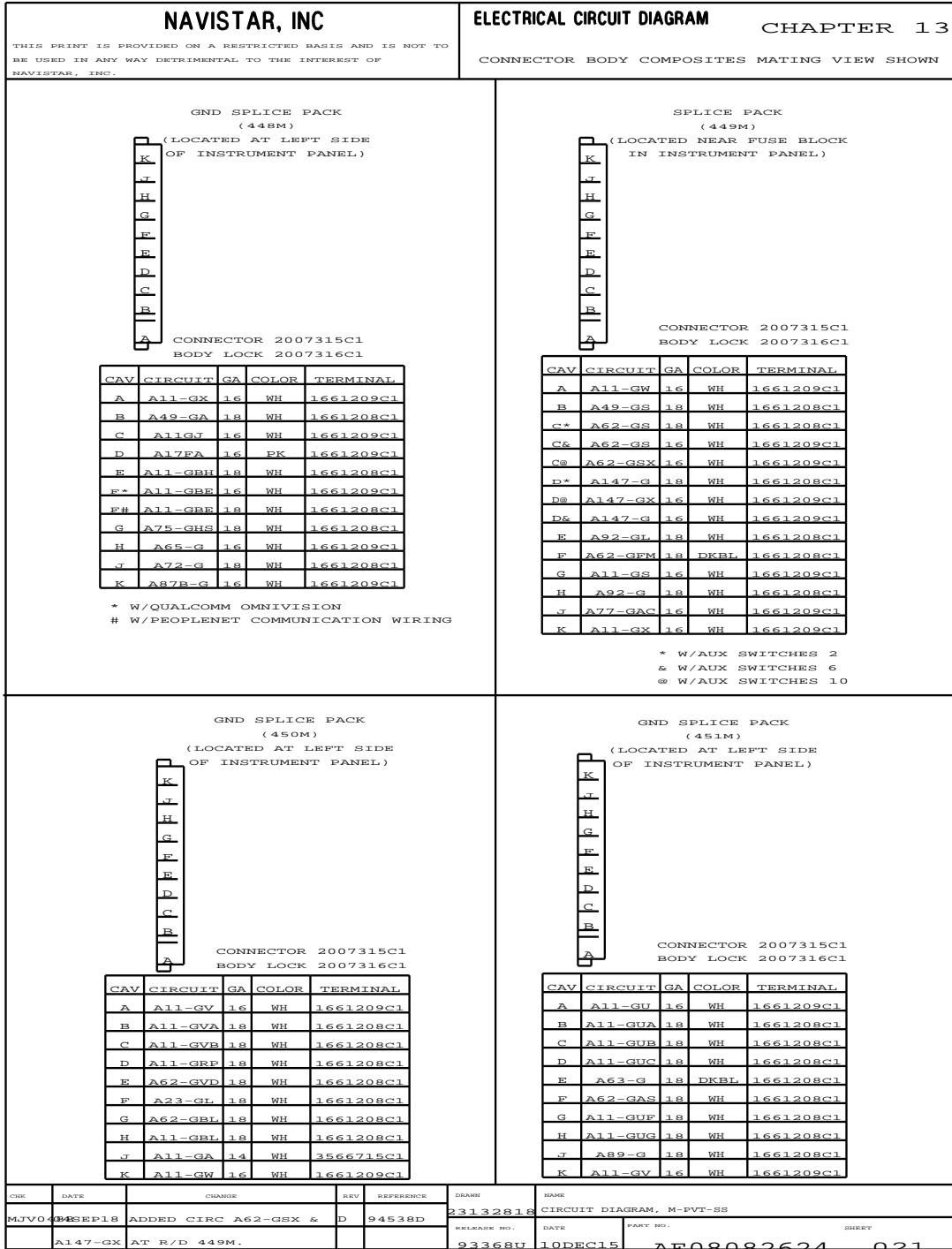


Figure 338 Connector Composites (448M / 449M / 450M / 451M)

13.32. CONNECTOR COMPOSITES (452M / 453M / 454M), P. 22

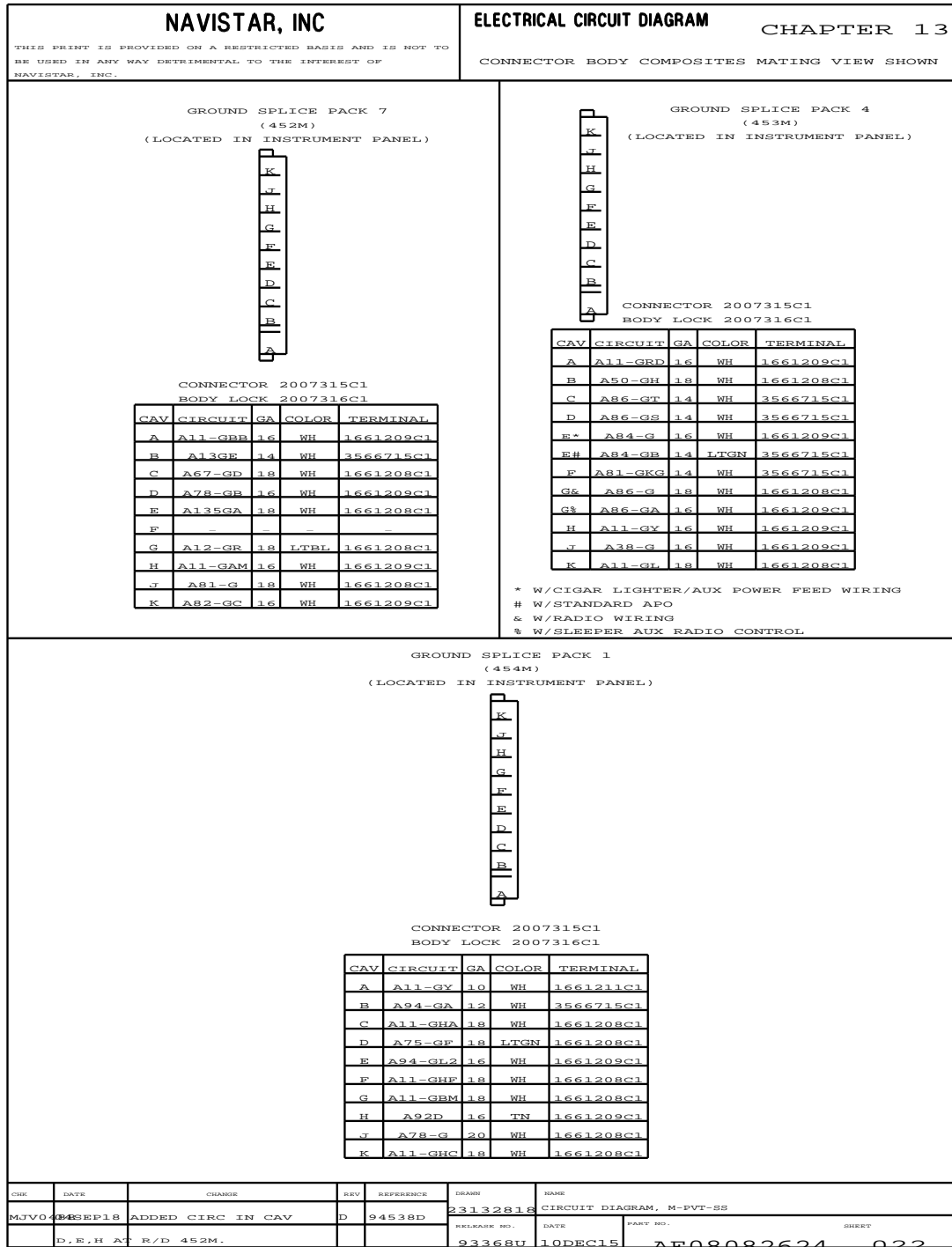


Figure 339 Connector Composites (452M / 453M / 454M)

13.33. CONNECTOR COMPOSITES (455M / 456M / 457M / 458M), P. 23

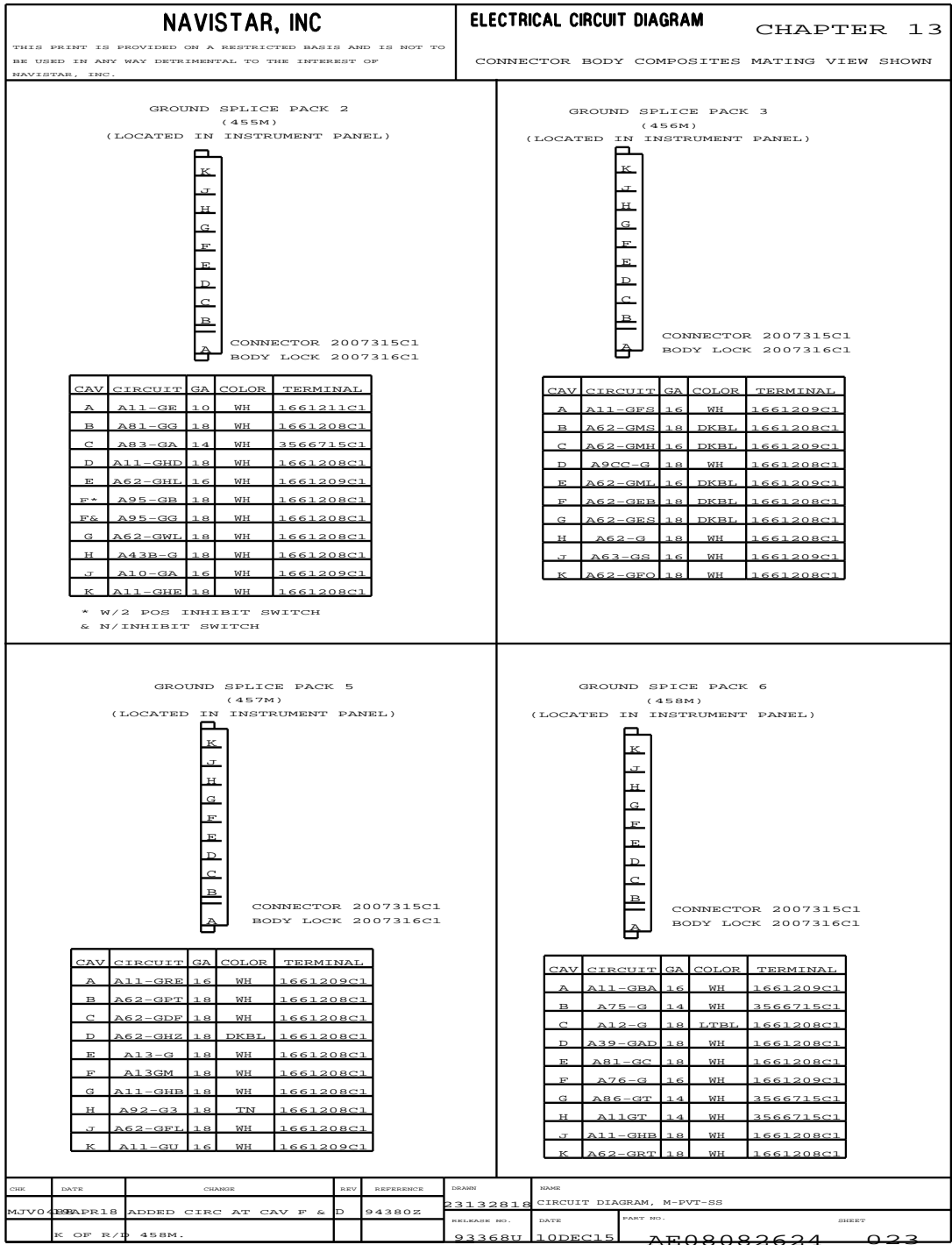


Figure 340 Connector Composites (455M / 456M / 457M / 458M)

13.34. CONNECTOR COMPOSITES (459M / 460M / 461M / 465M), P. 24

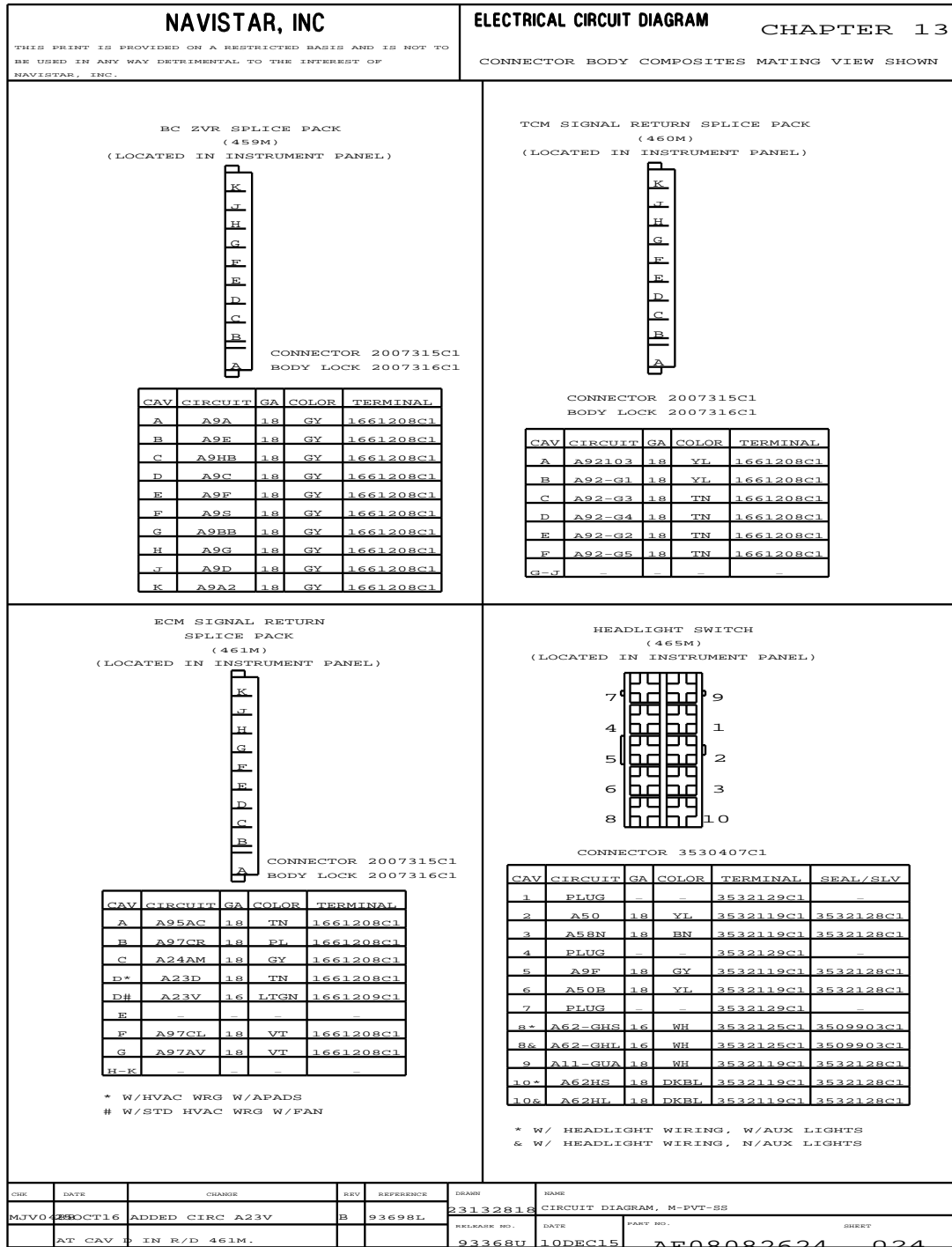


Figure 341 Connector Composites (459M / 460M / 461M / 465M)

13.35. CONNECTOR COMPOSITES (467 / 471 / 480M / 481M / 482M / 483M / 484M), P. 25

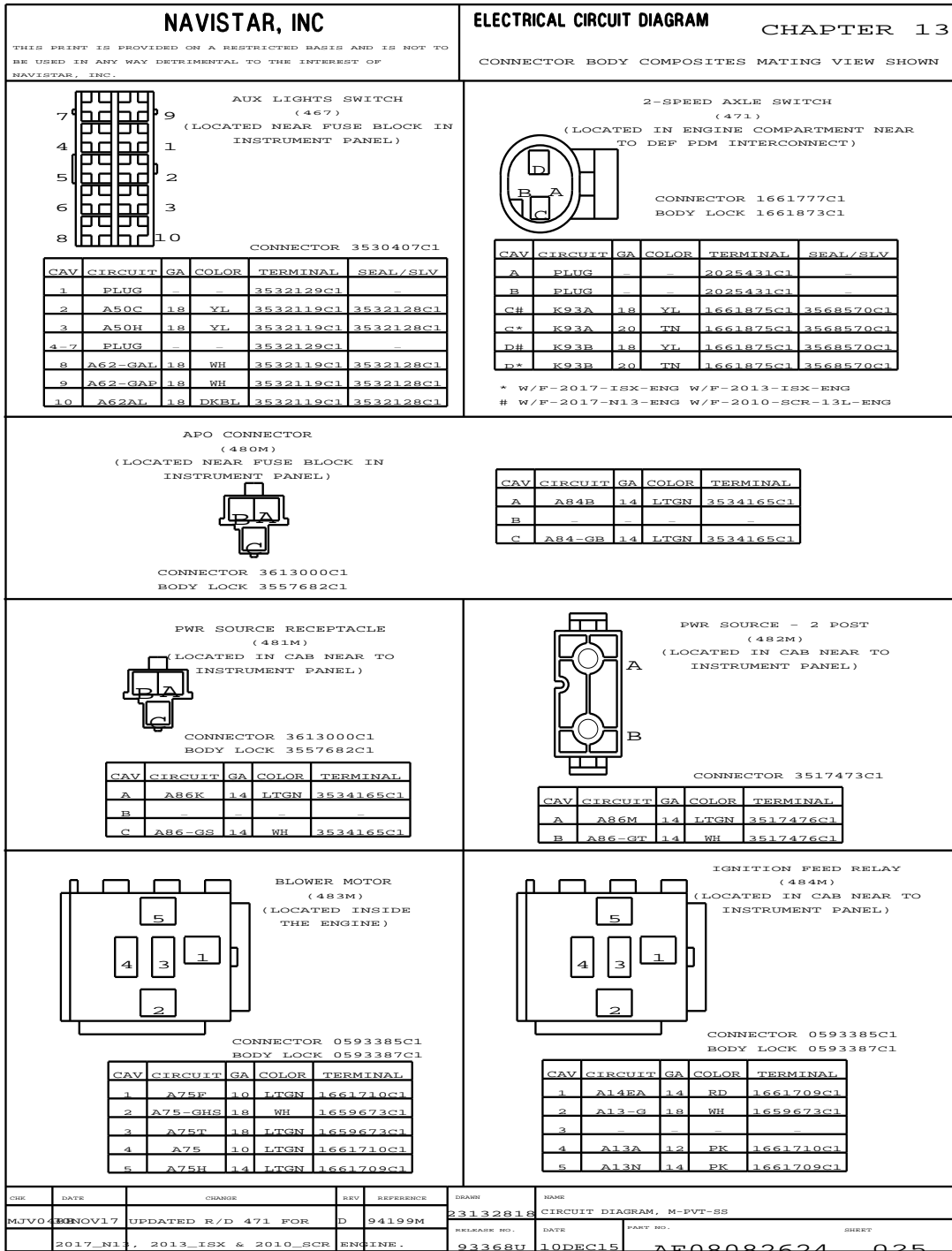


Figure 342 Connector Composites (467 / 471 / 480M / 481M / 482M / 483M / 484M)

13.36. CONNECTOR COMPOSITES (485M / 490M / 491 / 491M), P. 26

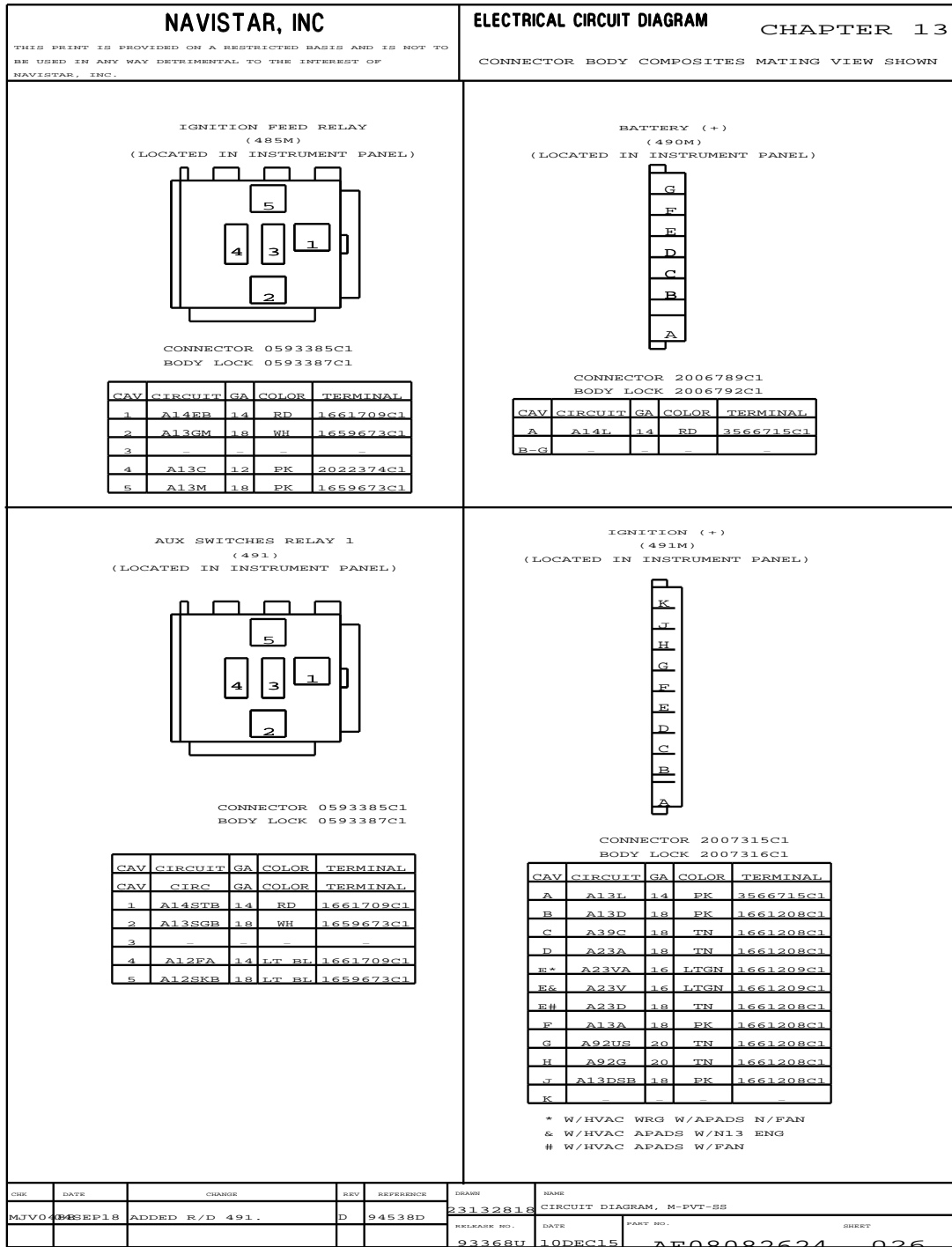


Figure 343 Connector Composites (485M / 490M / 491 / 491M)

13.37. CONNECTOR COMPOSITES (492 / 493 / 494 / 503M), P. 26A

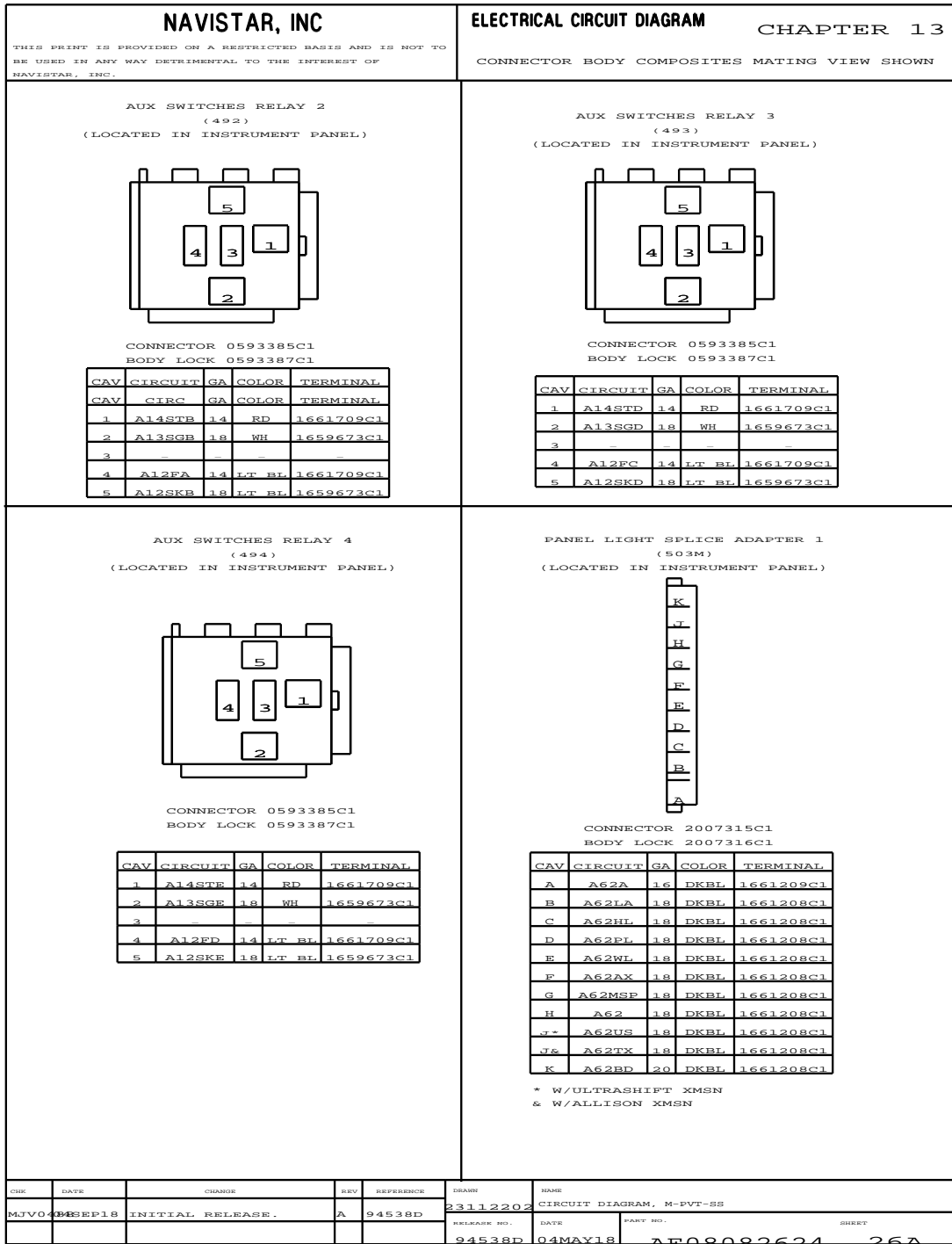


Figure 344 Connector Composites (492 / 493 / 494 / 503M)

13.38. CONNECTOR COMPOSITES (504M / 505M / 506M / 506N), P. 27

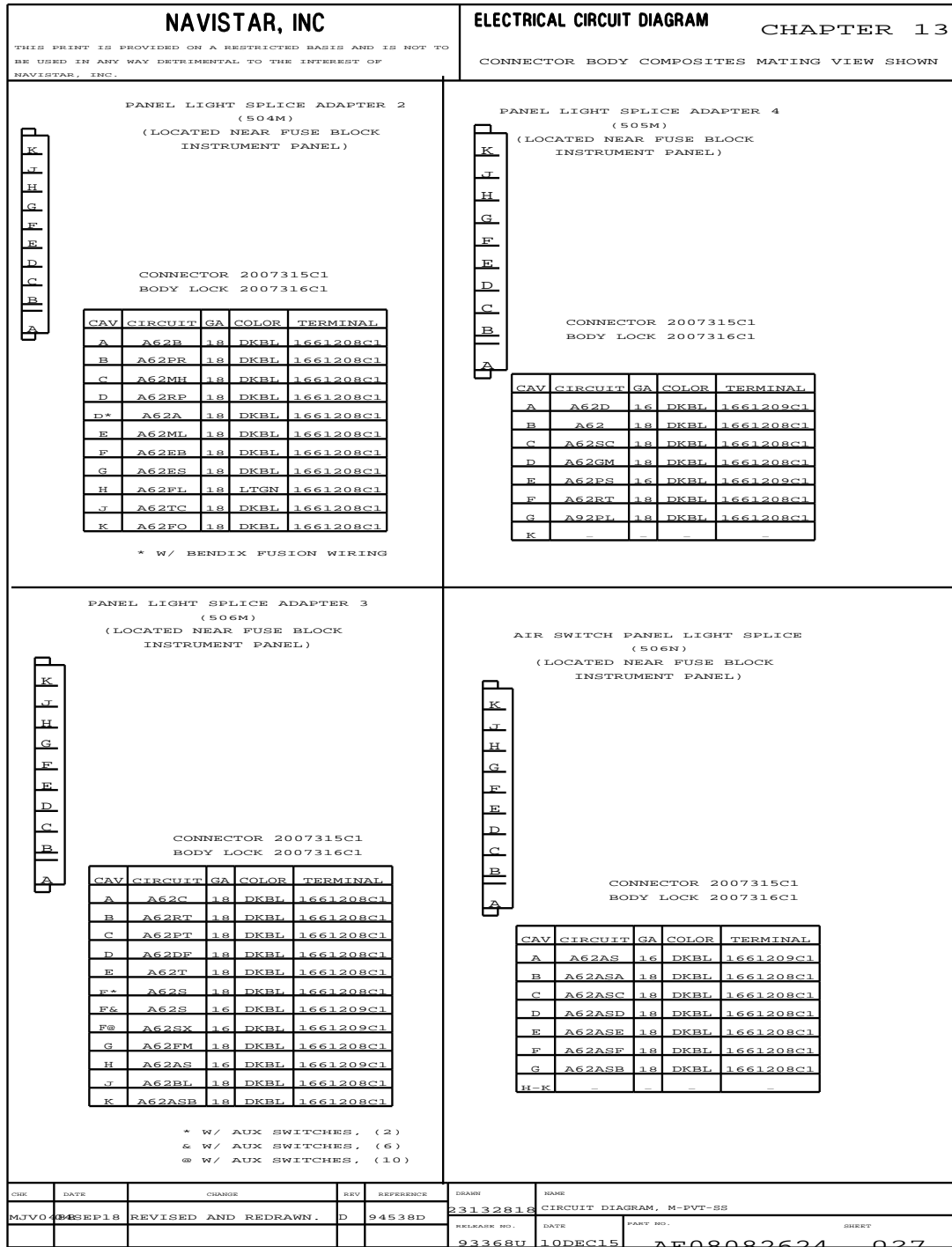


Figure 345 Connector Composites (504M / 505M / 506M / 506N)

13.39. CONNECTOR COMPOSITES (507M / 509M / 527 / 528 / 529 / 530), P. 28

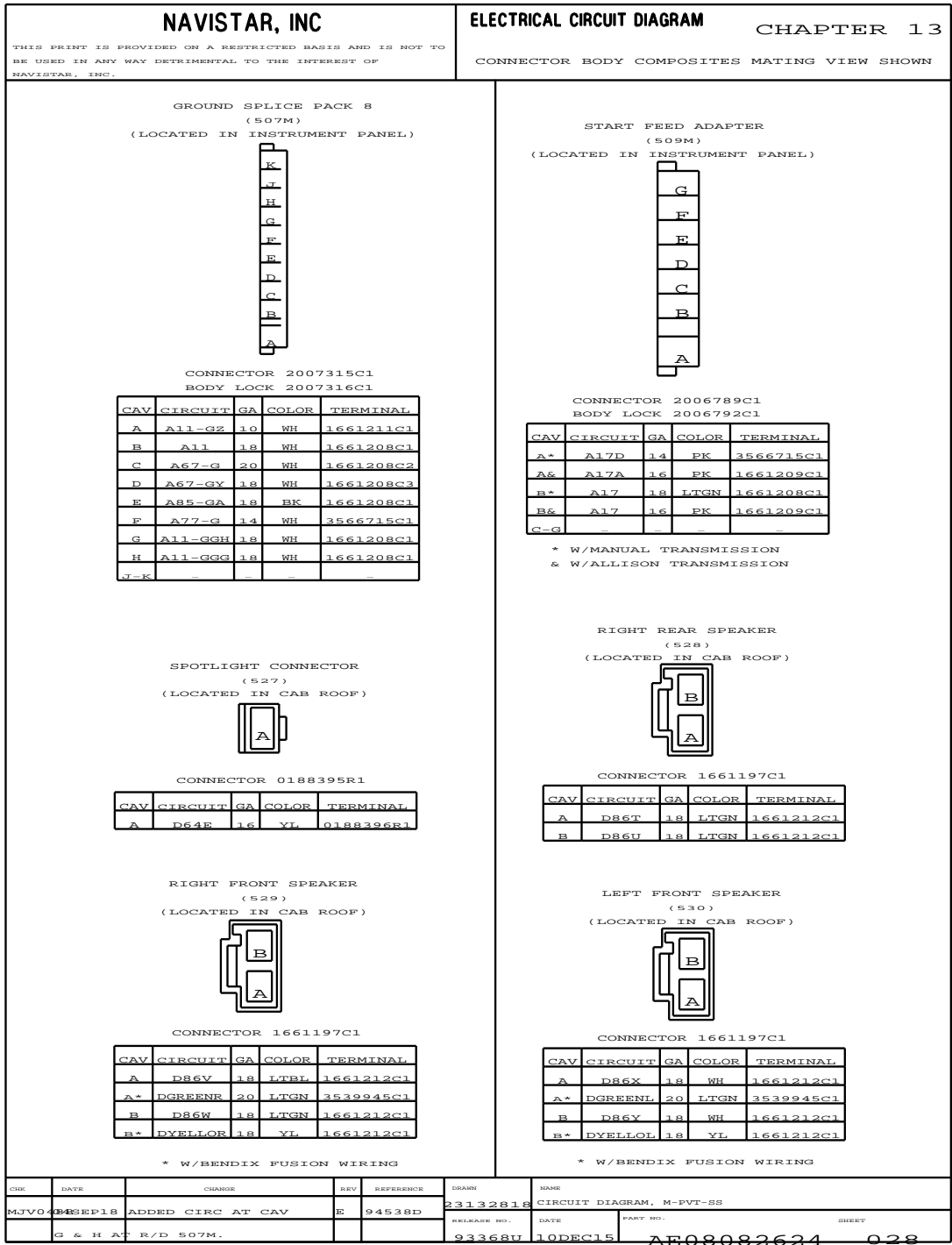


Figure 346 Connector Composites (507M / 509M / 527 / 528 / 529 / 530)

13.40. CONNECTOR COMPOSITES (531 / 540 / 541 / 562 / 562A / 563M), P. 29

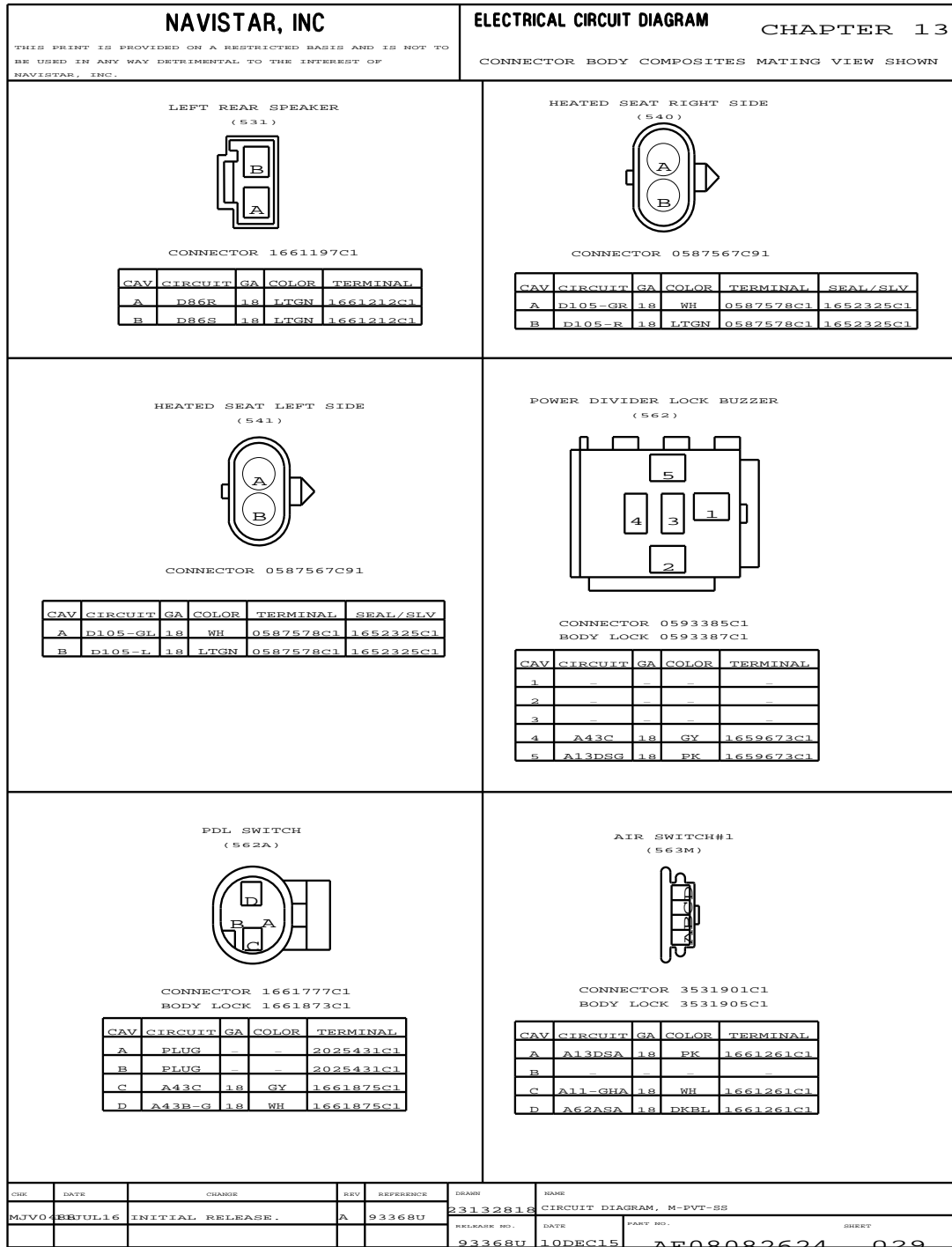


Figure 347 Connector Composites (531 / 540 / 541 / 562 / 562A / 563M)

13.41. CONNECTOR COMPOSITES (564M / 565M / 566 / 567M / 568 / 569M), P. 30

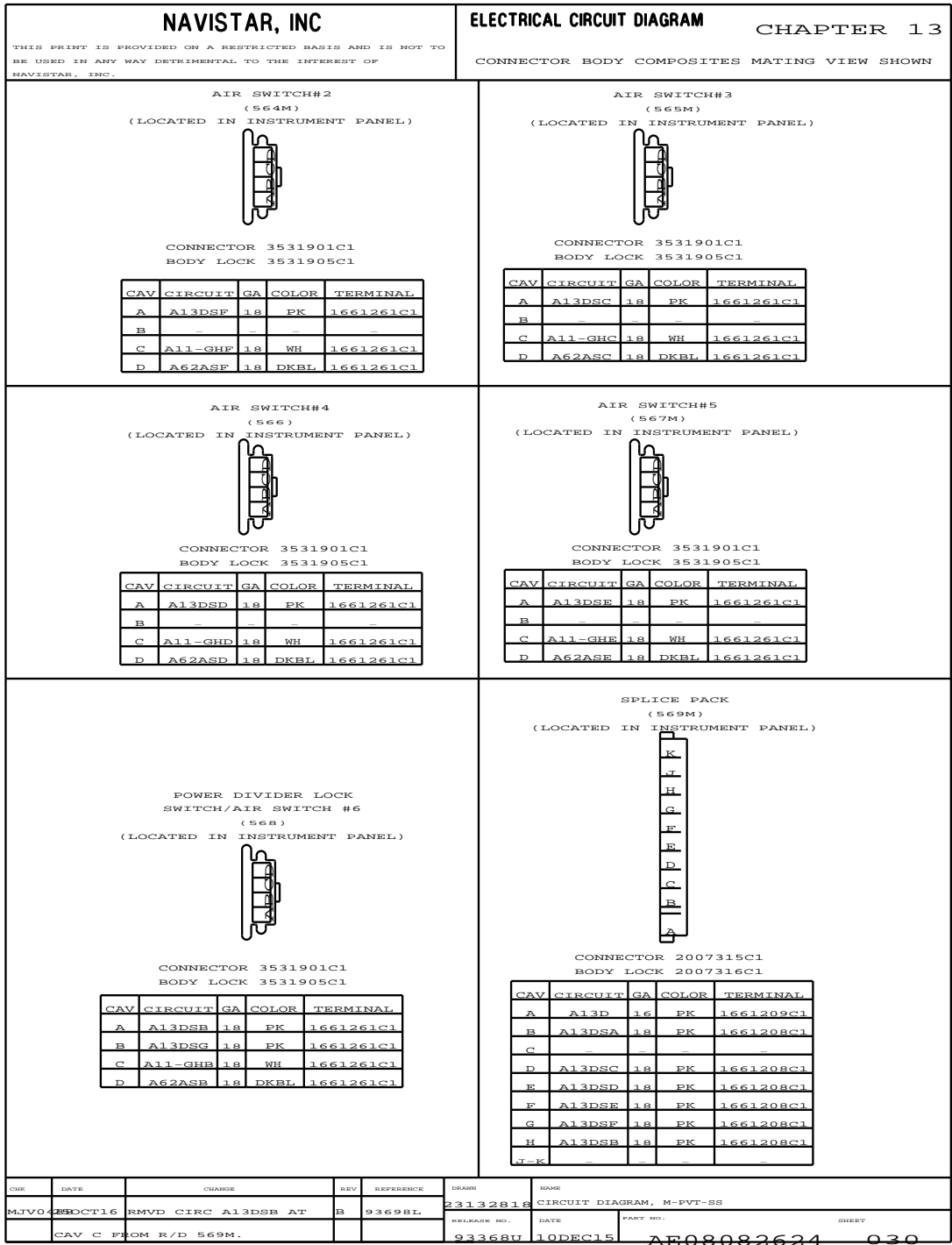


Figure 348 Connector Composites (564M / 565M / 566 / 567M / 568 / 569M)

13.42. CONNECTOR COMPOSITES (575 / 576 / 577 / 578 / 579), P. 30A

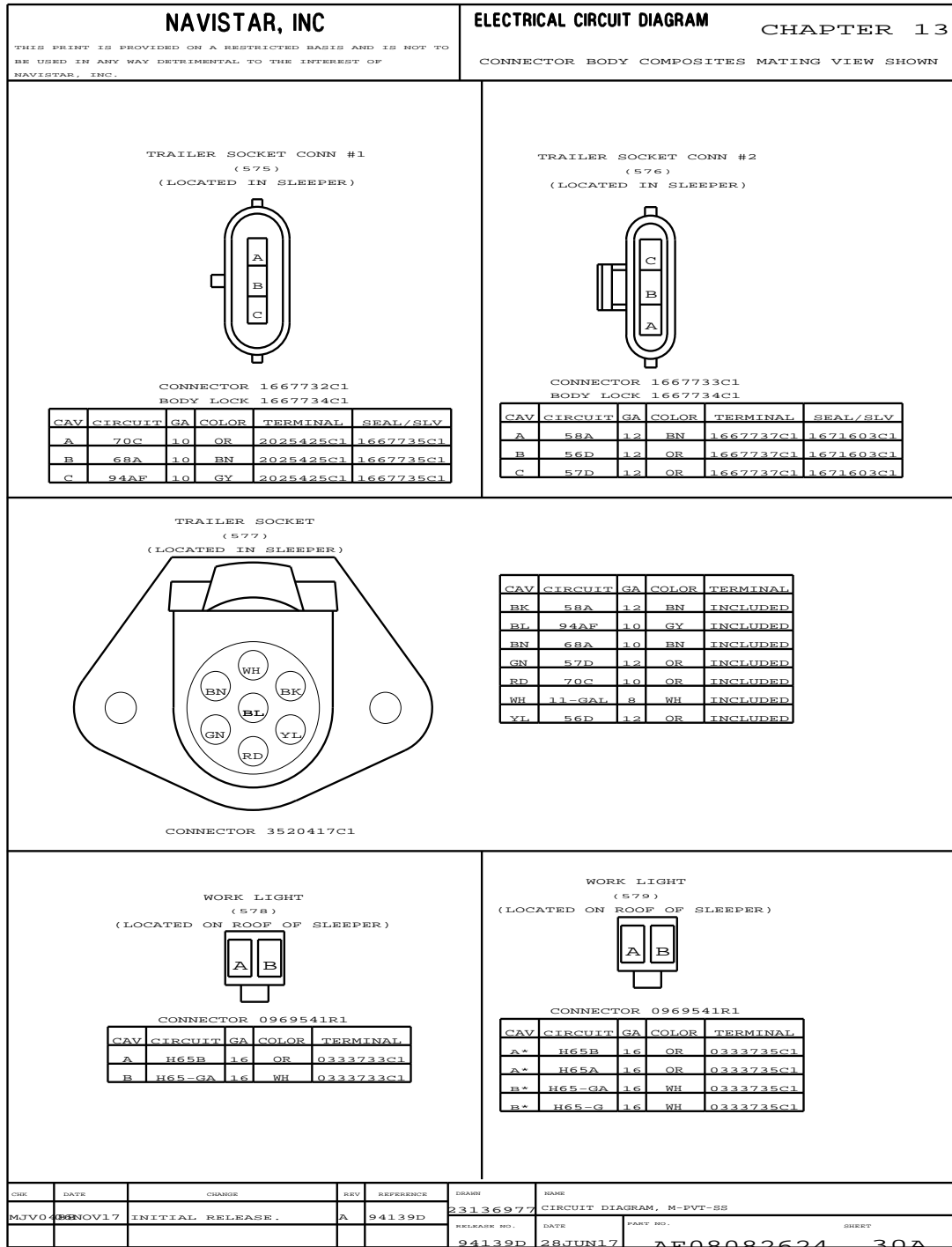


Figure 349 Connector Composites (575 / 576 / 577 / 578 / 579)

13.43. CONNECTOR COMPOSITES (583 / 587 / 592 / 593 / 594 / 607), P. 30B

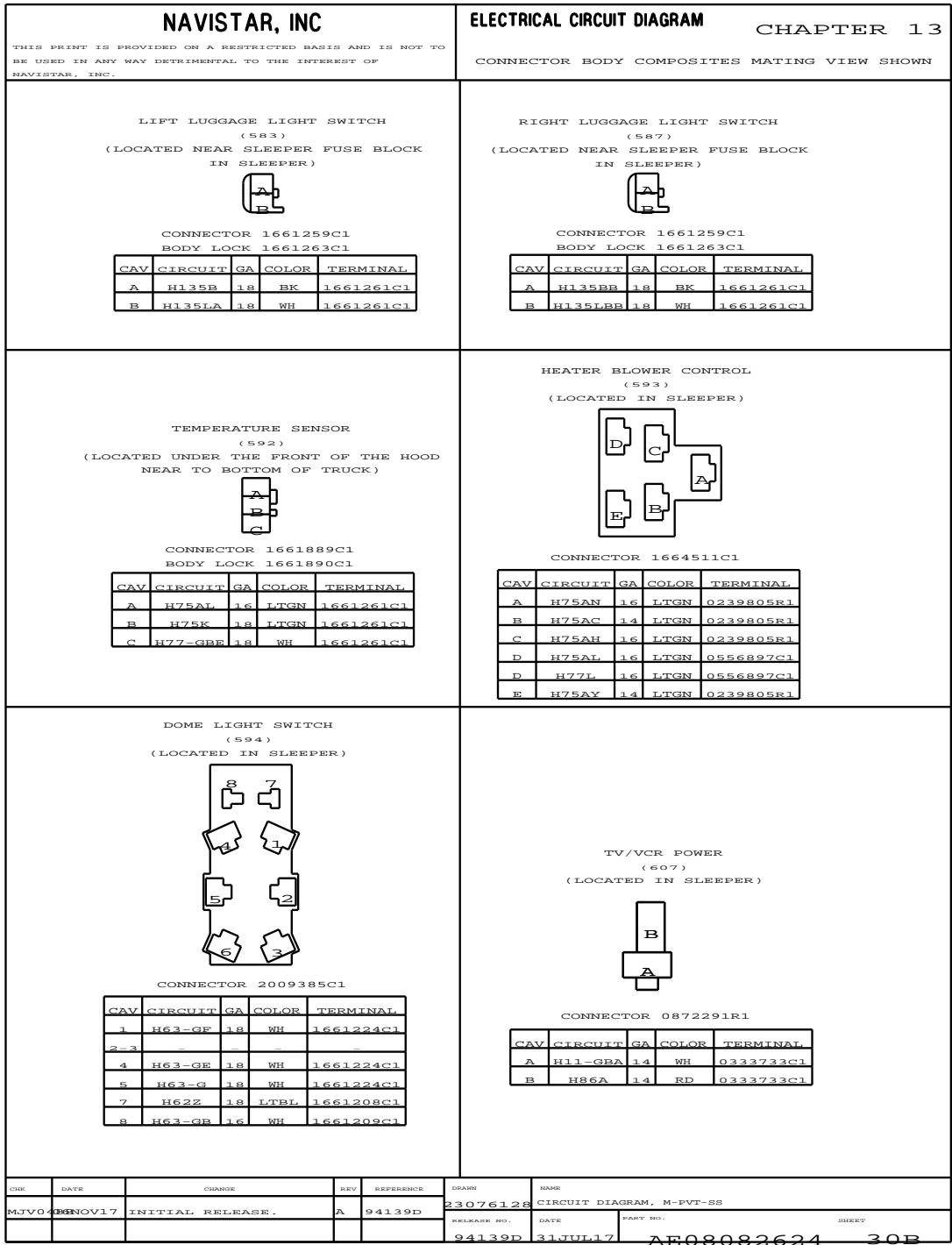


Figure 350 Connector Composites (583 / 587 / 592 / 593 / 594 / 607)

13.44. CONNECTOR COMPOSITES (608 / 640 / 641 / 659 / 670), P. 31

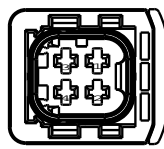
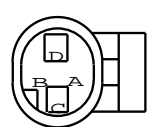
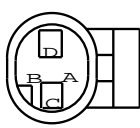
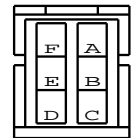
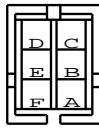

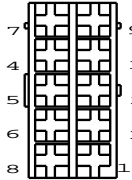
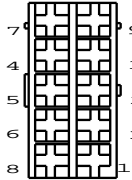
NAVISTAR, INC				ELECTRICAL CIRCUIT DIAGRAM				CHAPTER 13																																																																																									
THIS PRINT IS PROVIDED ON A RESTRICTED BASIS AND IS NOT TO BE USED IN ANY WAY DETRIMENTAL TO THE INTEREST OF NAVISTAR, INC.				CONNECTOR BODY COMPOSITES MATING VIEW SHOWN																																																																																													
 <p>NOX SENSOR (608) (LOCATED IN ENGINE COMPARTMENT)</p> <p>CONNECTOR 3993814C1</p> <table border="1" style="width: 100%; border-collapse: collapse; font-size: x-small;"> <thead> <tr> <th>CAV</th> <th>CIRCUIT</th> <th>GA</th> <th>COLOR</th> <th>TERMINAL</th> <th>SEAL/SLV</th> </tr> </thead> <tbody> <tr> <td>1</td> <td>K95AM</td> <td>18</td> <td>TN</td> <td>3765669C1</td> <td>3532128C1</td> </tr> <tr> <td>2</td> <td>K57(-)</td> <td>18</td> <td>GN</td> <td>3765669C1</td> <td>3532128C1</td> </tr> <tr> <td>3</td> <td>K57(+)</td> <td>18</td> <td>YL</td> <td>3765669C1</td> <td>3532128C1</td> </tr> <tr> <td>4</td> <td>K95-GB</td> <td>18</td> <td>WH</td> <td>3765669C1</td> <td>3532128C1</td> </tr> </tbody> </table>				CAV	CIRCUIT	GA	COLOR	TERMINAL	SEAL/SLV	1	K95AM	18	TN	3765669C1	3532128C1	2	K57(-)	18	GN	3765669C1	3532128C1	3	K57(+)	18	YL	3765669C1	3532128C1	4	K95-GB	18	WH	3765669C1	3532128C1	 <p>STOP SWITCH (640) (LOCATED ON INSTRUMENT PANEL)</p> <p>CONNECTOR 1661777C1 BODY LOCK 1661873C1</p> <table border="1" style="width: 100%; border-collapse: collapse; font-size: x-small;"> <thead> <tr> <th>CAV</th> <th>CIRCUIT</th> <th>GA</th> <th>COLOR</th> <th>TERMINAL</th> <th>SEAL/SLV</th> </tr> </thead> <tbody> <tr> <td>A-B</td> <td>PLUG</td> <td>-</td> <td>-</td> <td>2025431C1</td> <td>-</td> </tr> <tr> <td>C</td> <td>M70A</td> <td>16</td> <td>OR</td> <td>1661875C1</td> <td>1661872C1</td> </tr> <tr> <td>D</td> <td>M9A</td> <td>16</td> <td>OR</td> <td>1661875C1</td> <td>1661872C1</td> </tr> </tbody> </table>				CAV	CIRCUIT	GA	COLOR	TERMINAL	SEAL/SLV	A-B	PLUG	-	-	2025431C1	-	C	M70A	16	OR	1661875C1	1661872C1	D	M9A	16	OR	1661875C1	1661872C1																																				
CAV	CIRCUIT	GA	COLOR	TERMINAL	SEAL/SLV																																																																																												
1	K95AM	18	TN	3765669C1	3532128C1																																																																																												
2	K57(-)	18	GN	3765669C1	3532128C1																																																																																												
3	K57(+)	18	YL	3765669C1	3532128C1																																																																																												
4	K95-GB	18	WH	3765669C1	3532128C1																																																																																												
CAV	CIRCUIT	GA	COLOR	TERMINAL	SEAL/SLV																																																																																												
A-B	PLUG	-	-	2025431C1	-																																																																																												
C	M70A	16	OR	1661875C1	1661872C1																																																																																												
D	M9A	16	OR	1661875C1	1661872C1																																																																																												
 <p>ALLISION STOP SWITCH (641) (LOCATED ON INSTRUMENT PANEL)</p> <p>CONNECTOR 1661777C1 BODY LOCK 1661873C1</p> <table border="1" style="width: 100%; border-collapse: collapse; font-size: x-small;"> <thead> <tr> <th>CAV</th> <th>CIRCUIT</th> <th>GA</th> <th>COLOR</th> <th>TERMINAL</th> <th>SEAL/SLV</th> </tr> </thead> <tbody> <tr> <td>A-B</td> <td>PLUG</td> <td>-</td> <td>-</td> <td>2025431C1</td> <td>-</td> </tr> <tr> <td>C</td> <td>M92PS</td> <td>16</td> <td>TN</td> <td>1661875C1</td> <td>1661872C1</td> </tr> <tr> <td>D</td> <td>M92-G</td> <td>16</td> <td>TN</td> <td>1661875C1</td> <td>1661872C1</td> </tr> </tbody> </table>				CAV	CIRCUIT	GA	COLOR	TERMINAL	SEAL/SLV	A-B	PLUG	-	-	2025431C1	-	C	M92PS	16	TN	1661875C1	1661872C1	D	M92-G	16	TN	1661875C1	1661872C1	 <p>ROOF CONN (642) (LOCATED NEAR SLEEPER FUSE BLOCK IN SLEEPER)</p> <p>CONNECTOR 1661201C1</p> <table border="1" style="width: 100%; border-collapse: collapse; font-size: x-small;"> <thead> <tr> <th>CAV</th> <th>CIRCUIT</th> <th>GA</th> <th>COLOR</th> <th>TERMINAL</th> </tr> </thead> <tbody> <tr> <td>A</td> <td>H76AB</td> <td>16</td> <td>RD</td> <td>1661212C1</td> </tr> <tr> <td>B</td> <td>H86K</td> <td>18</td> <td>LTGN</td> <td>1661212C1</td> </tr> <tr> <td>C</td> <td>H86ASB</td> <td>18</td> <td>LTGN</td> <td>1661212C1</td> </tr> <tr> <td>D</td> <td>H86N</td> <td>18</td> <td>LTGN</td> <td>1661212C1</td> </tr> <tr> <td>E</td> <td>H86AUB</td> <td>18</td> <td>LTGN</td> <td>1661212C1</td> </tr> <tr> <td>F</td> <td>H76-GB</td> <td>16</td> <td>WH</td> <td>1661212C1</td> </tr> </tbody> </table>				CAV	CIRCUIT	GA	COLOR	TERMINAL	A	H76AB	16	RD	1661212C1	B	H86K	18	LTGN	1661212C1	C	H86ASB	18	LTGN	1661212C1	D	H86N	18	LTGN	1661212C1	E	H86AUB	18	LTGN	1661212C1	F	H76-GB	16	WH	1661212C1																															
CAV	CIRCUIT	GA	COLOR	TERMINAL	SEAL/SLV																																																																																												
A-B	PLUG	-	-	2025431C1	-																																																																																												
C	M92PS	16	TN	1661875C1	1661872C1																																																																																												
D	M92-G	16	TN	1661875C1	1661872C1																																																																																												
CAV	CIRCUIT	GA	COLOR	TERMINAL																																																																																													
A	H76AB	16	RD	1661212C1																																																																																													
B	H86K	18	LTGN	1661212C1																																																																																													
C	H86ASB	18	LTGN	1661212C1																																																																																													
D	H86N	18	LTGN	1661212C1																																																																																													
E	H86AUB	18	LTGN	1661212C1																																																																																													
F	H76-GB	16	WH	1661212C1																																																																																													
 <p>ROOF CONN (643) (LOCATED NEAR SLEEPER FUSE BLOCK IN SLEEPER)</p> <p>CONNECTOR 1661200C1</p> <table border="1" style="width: 100%; border-collapse: collapse; font-size: x-small;"> <thead> <tr> <th>CAV</th> <th>CIRCUIT</th> <th>GA</th> <th>COLOR</th> <th>TERMINAL</th> </tr> </thead> <tbody> <tr> <td>A</td> <td>H63-G</td> <td>18</td> <td>WH</td> <td>1661208C1</td> </tr> <tr> <td>B</td> <td>H63-GBB</td> <td>18</td> <td>WH</td> <td>1661208C1</td> </tr> <tr> <td>C</td> <td>H63AWC</td> <td>18</td> <td>RD</td> <td>1661208C1</td> </tr> <tr> <td>D-F</td> <td>-</td> <td>-</td> <td>-</td> <td>-</td> </tr> </tbody> </table>				CAV	CIRCUIT	GA	COLOR	TERMINAL	A	H63-G	18	WH	1661208C1	B	H63-GBB	18	WH	1661208C1	C	H63AWC	18	RD	1661208C1	D-F	-	-	-	-	 <p>AFTERTREATMENT HARNESS INTERCONNECT (670) (LOCATED IN REAR SIDE OF TRANSMISSION)</p> <p>CONNECTOR 3959006C1</p> <table border="1" style="width: 100%; border-collapse: collapse; font-size: x-small;"> <thead> <tr> <th>CAV</th> <th>CIRCUIT</th> <th>GA</th> <th>COLOR</th> <th>TERMINAL</th> </tr> </thead> <tbody> <tr> <td>1</td> <td>5E(+)</td> <td>18</td> <td>YL</td> <td>3686945C1</td> </tr> <tr> <td>2</td> <td>5E(-)</td> <td>18</td> <td>GN</td> <td>3686945C1</td> </tr> <tr> <td>3</td> <td>95-GA</td> <td>16</td> <td>WH</td> <td>3686946C1</td> </tr> <tr> <td>4</td> <td>95AK</td> <td>16</td> <td>TN</td> <td>3686946C1</td> </tr> <tr> <td>5</td> <td>5G(+)</td> <td>18</td> <td>YL</td> <td>3686945C1</td> </tr> <tr> <td>6</td> <td>5G(-)</td> <td>18</td> <td>GN</td> <td>3686945C1</td> </tr> <tr> <td>7</td> <td>95E</td> <td>20</td> <td>TN</td> <td>3686945C1</td> </tr> <tr> <td>8</td> <td>95D</td> <td>20</td> <td>TN</td> <td>3686945C1</td> </tr> <tr> <td>9</td> <td>95C</td> <td>20</td> <td>TN</td> <td>3686945C1</td> </tr> <tr> <td>10</td> <td>95B</td> <td>20</td> <td>TN</td> <td>3686945C1</td> </tr> <tr> <td>11</td> <td>95A</td> <td>20</td> <td>TN</td> <td>3686945C1</td> </tr> <tr> <td>12</td> <td>95F</td> <td>20</td> <td>TN</td> <td>3686945C1</td> </tr> </tbody> </table>				CAV	CIRCUIT	GA	COLOR	TERMINAL	1	5E(+)	18	YL	3686945C1	2	5E(-)	18	GN	3686945C1	3	95-GA	16	WH	3686946C1	4	95AK	16	TN	3686946C1	5	5G(+)	18	YL	3686945C1	6	5G(-)	18	GN	3686945C1	7	95E	20	TN	3686945C1	8	95D	20	TN	3686945C1	9	95C	20	TN	3686945C1	10	95B	20	TN	3686945C1	11	95A	20	TN	3686945C1	12	95F	20	TN	3686945C1
CAV	CIRCUIT	GA	COLOR	TERMINAL																																																																																													
A	H63-G	18	WH	1661208C1																																																																																													
B	H63-GBB	18	WH	1661208C1																																																																																													
C	H63AWC	18	RD	1661208C1																																																																																													
D-F	-	-	-	-																																																																																													
CAV	CIRCUIT	GA	COLOR	TERMINAL																																																																																													
1	5E(+)	18	YL	3686945C1																																																																																													
2	5E(-)	18	GN	3686945C1																																																																																													
3	95-GA	16	WH	3686946C1																																																																																													
4	95AK	16	TN	3686946C1																																																																																													
5	5G(+)	18	YL	3686945C1																																																																																													
6	5G(-)	18	GN	3686945C1																																																																																													
7	95E	20	TN	3686945C1																																																																																													
8	95D	20	TN	3686945C1																																																																																													
9	95C	20	TN	3686945C1																																																																																													
10	95B	20	TN	3686945C1																																																																																													
11	95A	20	TN	3686945C1																																																																																													
12	95F	20	TN	3686945C1																																																																																													
 <p>FAN OVERDRIVE SWITCH (659) (LOCATED ON INSTRUMENT PANEL)</p> <p>CONNECTOR 3530407C1</p> <table border="1" style="width: 100%; border-collapse: collapse; font-size: x-small;"> <thead> <tr> <th>CAV</th> <th>CIRCUIT</th> <th>GA</th> <th>COLOR</th> <th>TERMINAL</th> <th>SEAL/SLV</th> </tr> </thead> <tbody> <tr> <td>1</td> <td>PLUG</td> <td>-</td> <td>-</td> <td>3532129C1</td> <td>-</td> </tr> <tr> <td>2</td> <td>A23A</td> <td>18</td> <td>TN</td> <td>3532119C1</td> <td>3532128C1</td> </tr> <tr> <td>3*</td> <td>A23B</td> <td>18</td> <td>TN</td> <td>3532119C1</td> <td>3532128C1</td> </tr> <tr> <td>3#</td> <td>A23BAC</td> <td>16</td> <td>LTGN</td> <td>3532125C1</td> <td>3509903C1</td> </tr> <tr> <td>4#</td> <td>A23VA</td> <td>16</td> <td>LTGN</td> <td>3532125C1</td> <td>3509903C1</td> </tr> <tr> <td>4#</td> <td>A23B</td> <td>18</td> <td>TN</td> <td>3532119C1</td> <td>3532128C1</td> </tr> <tr> <td>5</td> <td>A23D</td> <td>18</td> <td>TN</td> <td>3532119C1</td> <td>3532128C1</td> </tr> <tr> <td>6-7</td> <td>PLUG</td> <td>-</td> <td>-</td> <td>3532129C1</td> <td>-</td> </tr> <tr> <td>8</td> <td>A62-GFO</td> <td>18</td> <td>WH</td> <td>3532119C1</td> <td>3532128C1</td> </tr> <tr> <td>9</td> <td>A23-GL</td> <td>18</td> <td>WH</td> <td>3532119C1</td> <td>3532128C1</td> </tr> <tr> <td>10</td> <td>A62FO</td> <td>18</td> <td>DKBL</td> <td>3532119C1</td> <td>3532128C1</td> </tr> </tbody> </table> <p>* W/STD HVAC WRG W/FAN, W/N13 ENGINE & W/HVAC WRG W/APADS, W/FAN OVERRIDE # W/STD HVAC WRG W/FAN, ISX ENG % W/HVAC APADS WRG W/FAN, ISX ENGINE</p>				CAV	CIRCUIT	GA	COLOR	TERMINAL	SEAL/SLV	1	PLUG	-	-	3532129C1	-	2	A23A	18	TN	3532119C1	3532128C1	3*	A23B	18	TN	3532119C1	3532128C1	3#	A23BAC	16	LTGN	3532125C1	3509903C1	4#	A23VA	16	LTGN	3532125C1	3509903C1	4#	A23B	18	TN	3532119C1	3532128C1	5	A23D	18	TN	3532119C1	3532128C1	6-7	PLUG	-	-	3532129C1	-	8	A62-GFO	18	WH	3532119C1	3532128C1	9	A23-GL	18	WH	3532119C1	3532128C1	10	A62FO	18	DKBL	3532119C1	3532128C1																						
CAV	CIRCUIT	GA	COLOR	TERMINAL	SEAL/SLV																																																																																												
1	PLUG	-	-	3532129C1	-																																																																																												
2	A23A	18	TN	3532119C1	3532128C1																																																																																												
3*	A23B	18	TN	3532119C1	3532128C1																																																																																												
3#	A23BAC	16	LTGN	3532125C1	3509903C1																																																																																												
4#	A23VA	16	LTGN	3532125C1	3509903C1																																																																																												
4#	A23B	18	TN	3532119C1	3532128C1																																																																																												
5	A23D	18	TN	3532119C1	3532128C1																																																																																												
6-7	PLUG	-	-	3532129C1	-																																																																																												
8	A62-GFO	18	WH	3532119C1	3532128C1																																																																																												
9	A23-GL	18	WH	3532119C1	3532128C1																																																																																												
10	A62FO	18	DKBL	3532119C1	3532128C1																																																																																												
<table border="1" style="width: 100%; border-collapse: collapse;"> <thead> <tr> <th>CHK</th> <th>DATE</th> <th>CHANGE</th> <th>REV</th> <th>REFERENCE</th> </tr> </thead> <tbody> <tr> <td>-</td> <td>-</td> <td>ADDED R/D 642 AND</td> <td>C</td> <td>94139D</td> </tr> <tr> <td>643.</td> <td></td> <td></td> <td></td> <td></td> </tr> </tbody> </table>	CHK	DATE	CHANGE	REV	REFERENCE	-	-	ADDED R/D 642 AND	C	94139D	643.					<table border="1" style="width: 100%; border-collapse: collapse;"> <thead> <tr> <th>DRAWN</th> <th>NAME</th> </tr> </thead> <tbody> <tr> <td>23132818</td> <td>CIRCUIT DIAGRAM, M-PVT-SS</td> </tr> <tr> <th>RELEASE NO.</th> <th>DATE</th> <th>PART NO.</th> <th>SHEET</th> </tr> <tr> <td>93368U</td> <td>10DEC15</td> <td>AE08082624</td> <td>031</td> </tr> </tbody> </table>				DRAWN	NAME	23132818	CIRCUIT DIAGRAM, M-PVT-SS	RELEASE NO.	DATE	PART NO.	SHEET	93368U	10DEC15	AE08082624	031																																																																		
CHK	DATE	CHANGE	REV	REFERENCE																																																																																													
-	-	ADDED R/D 642 AND	C	94139D																																																																																													
643.																																																																																																	
DRAWN	NAME																																																																																																
23132818	CIRCUIT DIAGRAM, M-PVT-SS																																																																																																
RELEASE NO.	DATE	PART NO.	SHEET																																																																																														
93368U	10DEC15	AE08082624	031																																																																																														

Figure 351 Connector Composites (608 / 640 / 641 / 659 / 670)

13.45. CONNECTOR COMPOSITES (670 / 670A / 671 / *670A), P. 32

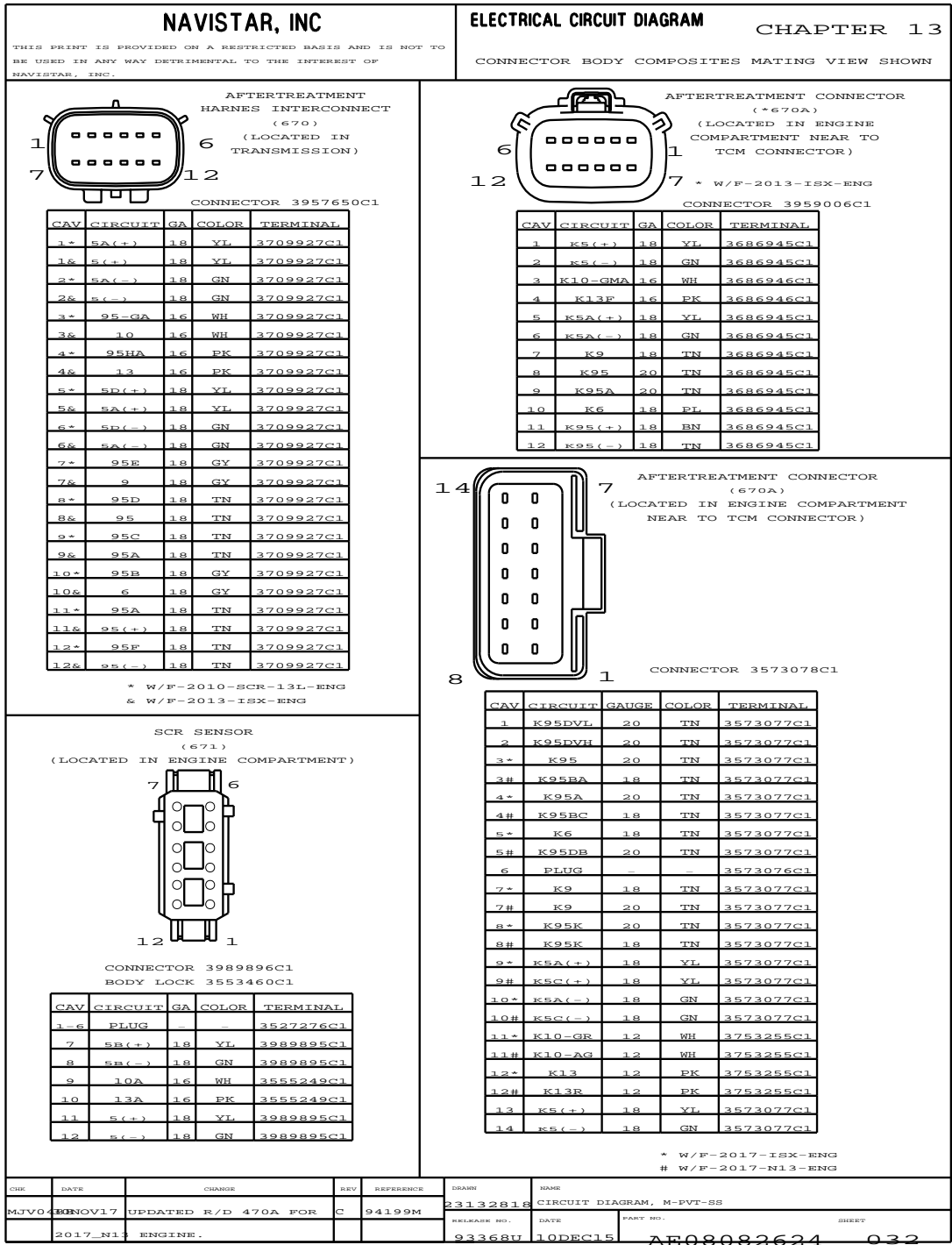


Figure 352 Connector Composites (670 / 670A / 671 / *670A)

13.46. CONNECTOR COMPOSITES (671A / 672 / 673), P. 33

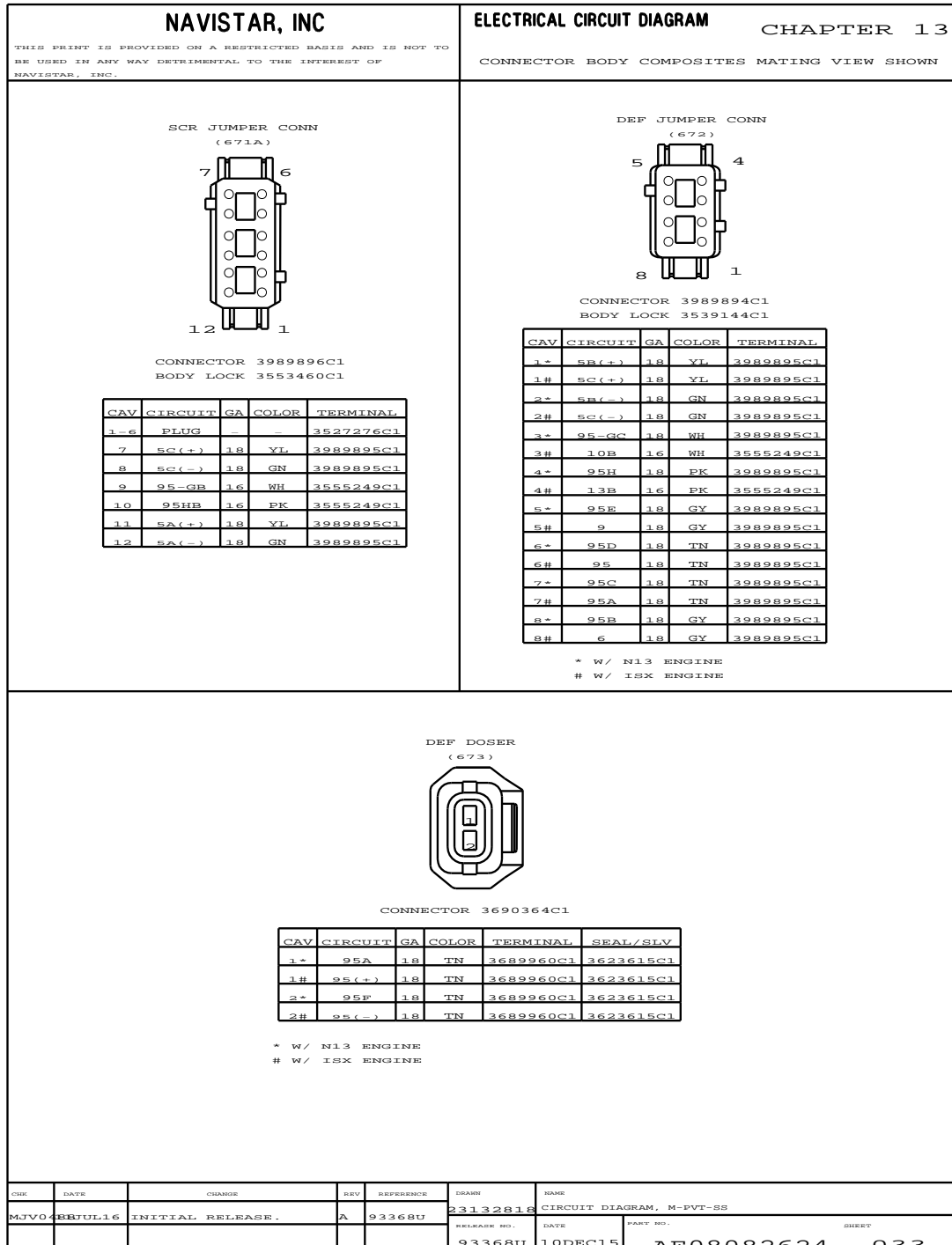


Figure 353 Connector Composites (671A / 672 / 673)

13.47. CONNECTOR COMPOSITES (674), P. 34

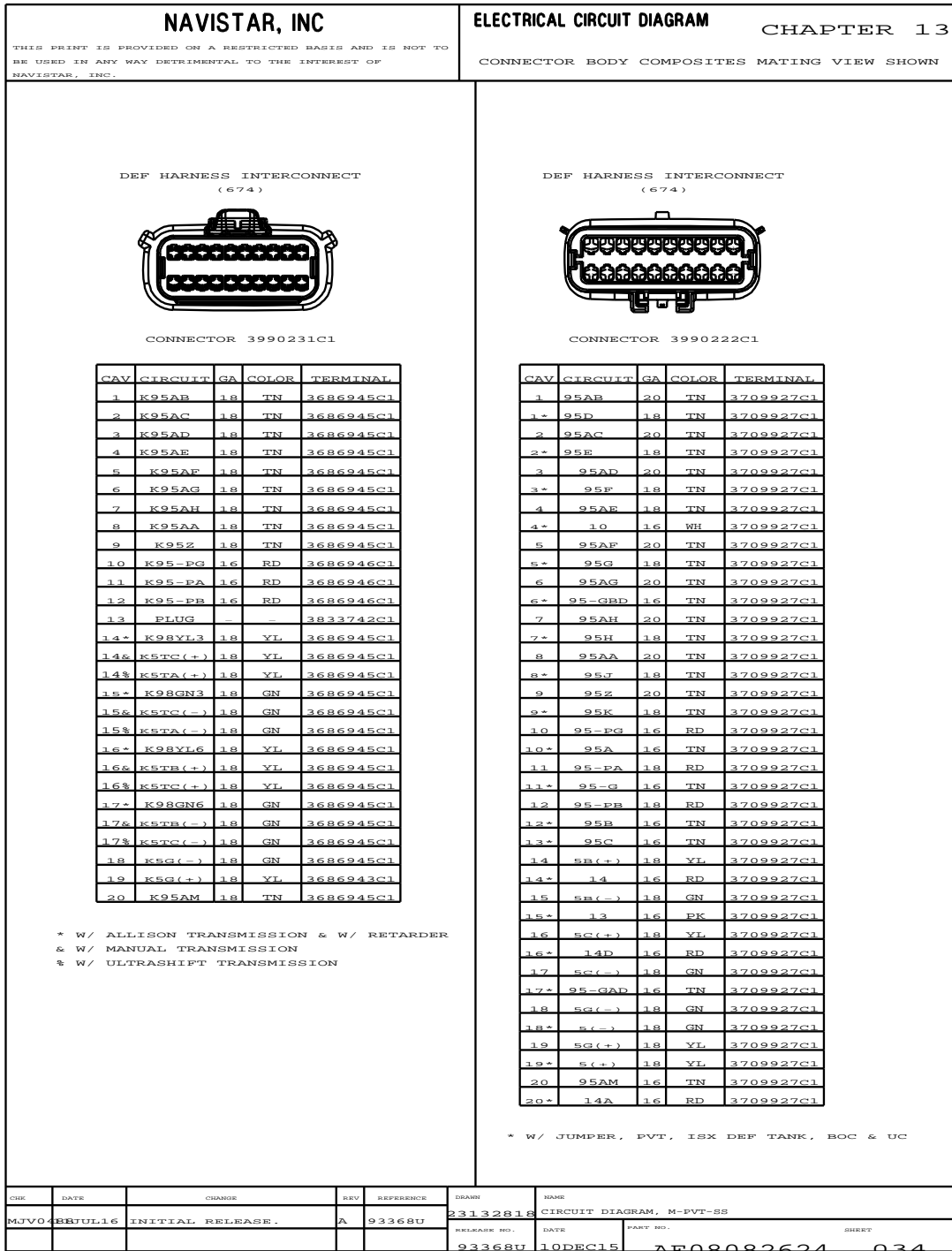


Figure 354 Connector Composites (674)

13.48. CONNECTOR COMPOSITES (674 / *674), P. 34A

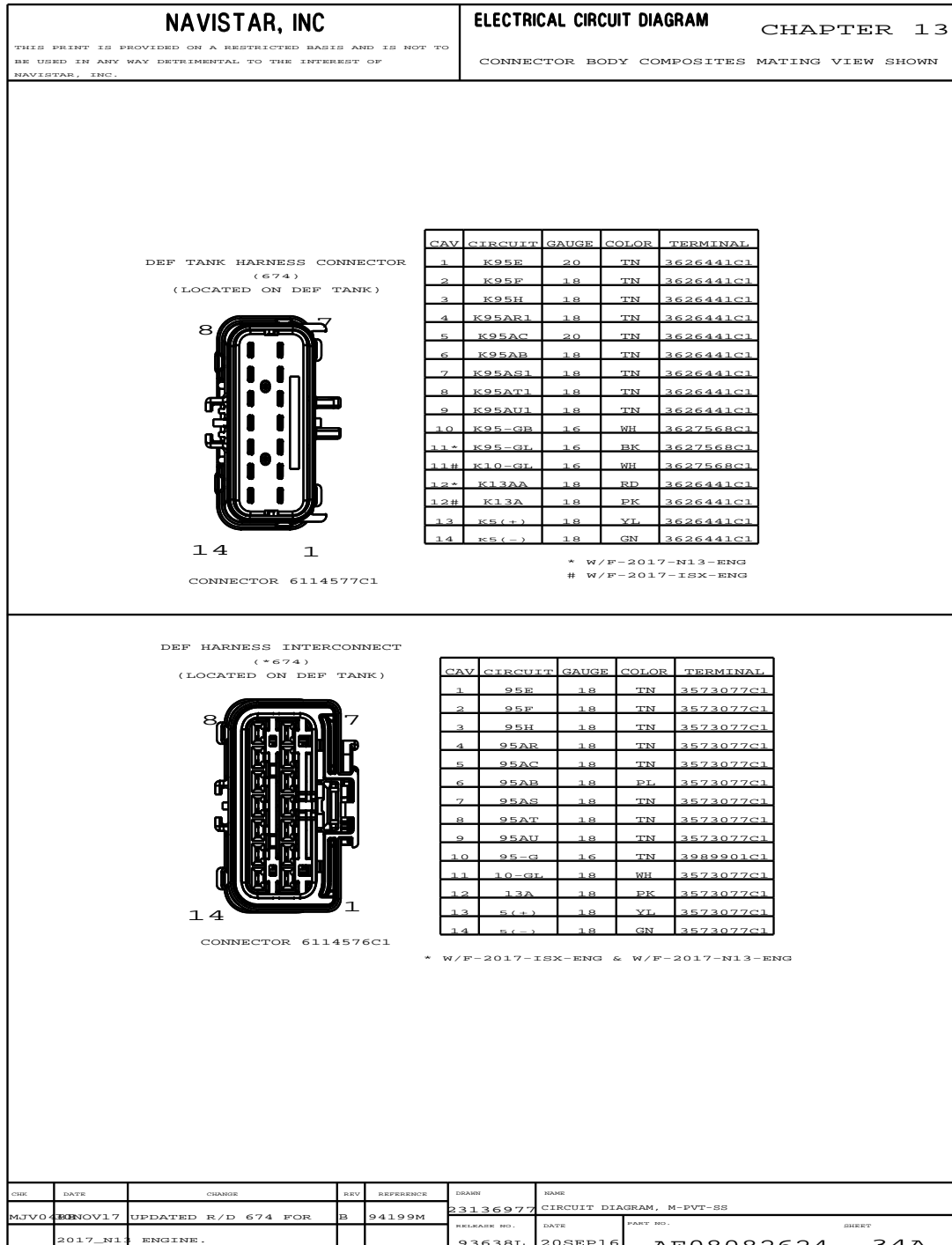


Figure 355 Connector Composites (674 / *674)

13.49. CONNECTOR COMPOSITES (*674D / 675 / 676), P. 35

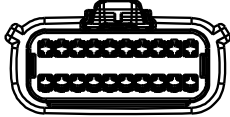
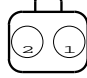
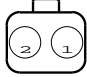
NAVISTAR, INC		ELECTRICAL CIRCUIT DIAGRAM		CHAPTER 13																																																																																																																																																						
THIS PRINT IS PROVIDED ON A RESTRICTED BASIS AND IS NOT TO BE USED IN ANY WAY DETRIMENTAL TO THE INTEREST OF NAVISTAR, INC.		CONNECTOR BODY COMPOSITES MATING VIEW SHOWN																																																																																																																																																								
<p>DEF TANK HARNESS CONNECTOR (*674D) (LOCATED ON DEF TANK)</p>  <p>CONNECTOR 3990231C1</p> <table border="1" style="width:100%; border-collapse: collapse; font-size: x-small;"> <thead> <tr> <th>CAV</th> <th>CIRCUIT</th> <th>GA</th> <th>COLOR</th> <th>TERMINAL</th> </tr> </thead> <tbody> <tr><td>1</td><td>K95D</td><td>20</td><td>TN</td><td>3686945C1</td></tr> <tr><td>2</td><td>K95E</td><td>20</td><td>TN</td><td>3686945C1</td></tr> <tr><td>3</td><td>K95F</td><td>20</td><td>TN</td><td>3686945C1</td></tr> <tr><td>4</td><td>K10-GL</td><td>16</td><td>WH</td><td>3686946C1</td></tr> <tr><td>5</td><td>K95G</td><td>20</td><td>TN</td><td>3686945C1</td></tr> <tr><td>6</td><td>K95-GB</td><td>16</td><td>TN</td><td>3686946C1</td></tr> <tr><td>7</td><td>K95H</td><td>20</td><td>TN</td><td>3686945C1</td></tr> <tr><td>8</td><td>K95J</td><td>16</td><td>PL</td><td>3686946C1</td></tr> <tr><td>9</td><td>K95K</td><td>20</td><td>TN</td><td>3686945C1</td></tr> <tr><td>10</td><td>K95A1</td><td>20</td><td>TN</td><td>3686945C1</td></tr> <tr><td>11</td><td>K95M</td><td>16</td><td>TN</td><td>3686946C1</td></tr> <tr><td>12</td><td>K95B</td><td>20</td><td>TN</td><td>3686945C1</td></tr> <tr><td>13</td><td>K95C</td><td>20</td><td>TN</td><td>3686945C1</td></tr> <tr><td>14</td><td>K14</td><td>16</td><td>RD</td><td>3686946C1</td></tr> <tr><td>15</td><td>K13AA</td><td>16</td><td>PK</td><td>3686946C1</td></tr> <tr><td>16</td><td>K13E</td><td>16</td><td>PK</td><td>3686946C1</td></tr> <tr><td>17</td><td>K95-GA</td><td>20</td><td>TN</td><td>3686945C1</td></tr> <tr><td>18</td><td>K5(-)</td><td>18</td><td>GN</td><td>3686945C1</td></tr> <tr><td>19</td><td>K5(+)</td><td>18</td><td>YL</td><td>3686945C1</td></tr> <tr><td>20</td><td>K14AA</td><td>16</td><td>RD</td><td>3686946C1</td></tr> </tbody> </table> <p style="font-size: x-small; text-align: center;">* W/F-2013-ISX-ENG</p>		CAV	CIRCUIT	GA	COLOR	TERMINAL	1	K95D	20	TN	3686945C1	2	K95E	20	TN	3686945C1	3	K95F	20	TN	3686945C1	4	K10-GL	16	WH	3686946C1	5	K95G	20	TN	3686945C1	6	K95-GB	16	TN	3686946C1	7	K95H	20	TN	3686945C1	8	K95J	16	PL	3686946C1	9	K95K	20	TN	3686945C1	10	K95A1	20	TN	3686945C1	11	K95M	16	TN	3686946C1	12	K95B	20	TN	3686945C1	13	K95C	20	TN	3686945C1	14	K14	16	RD	3686946C1	15	K13AA	16	PK	3686946C1	16	K13E	16	PK	3686946C1	17	K95-GA	20	TN	3686945C1	18	K5(-)	18	GN	3686945C1	19	K5(+)	18	YL	3686945C1	20	K14AA	16	RD	3686946C1	<p>BACKFLOW HEATER LINE (675) (LOCATED NEAR TO DEF HARNESS INTERCONNECT)</p>  <p>CONNECTOR 3854665C91</p> <table border="1" style="width:100%; border-collapse: collapse; font-size: x-small;"> <thead> <tr> <th>CAV</th> <th>CIRCUIT</th> <th>GA</th> <th>COLOR</th> <th>TERMINAL</th> </tr> </thead> <tbody> <tr><td>1*</td><td>95AP</td><td>16</td><td>TN</td><td>1651969C1</td></tr> <tr><td>1</td><td>95AP</td><td>16</td><td>TN</td><td>1680205C1</td></tr> <tr><td>1&</td><td>95AA</td><td>16</td><td>TN</td><td>1680205C1</td></tr> <tr><td>1#</td><td>95AS</td><td>18</td><td>TN</td><td>3572625C1</td></tr> <tr><td>2*</td><td>95S</td><td>18</td><td>TN</td><td>1651969C1</td></tr> <tr><td>2</td><td>95S</td><td>18</td><td>TN</td><td>1680205C1</td></tr> <tr><td>2&</td><td>95-GA</td><td>16</td><td>TN</td><td>1680205C1</td></tr> <tr><td>2#</td><td>95-GA</td><td>16</td><td>TN</td><td>3572625C1</td></tr> </tbody> </table> <p style="font-size: x-small;">* W/JUMPER, PVT SBA 115, N13 DEF TANK, BOC & W/JUMPER, PVT, ISX DEF TANK, BOC & UC # W/F-2017-ISX-ENG W/F-2017-N13-ENG</p>			CAV	CIRCUIT	GA	COLOR	TERMINAL	1*	95AP	16	TN	1651969C1	1	95AP	16	TN	1680205C1	1&	95AA	16	TN	1680205C1	1#	95AS	18	TN	3572625C1	2*	95S	18	TN	1651969C1	2	95S	18	TN	1680205C1	2&	95-GA	16	TN	1680205C1	2#	95-GA	16	TN	3572625C1
CAV	CIRCUIT	GA	COLOR	TERMINAL																																																																																																																																																						
1	K95D	20	TN	3686945C1																																																																																																																																																						
2	K95E	20	TN	3686945C1																																																																																																																																																						
3	K95F	20	TN	3686945C1																																																																																																																																																						
4	K10-GL	16	WH	3686946C1																																																																																																																																																						
5	K95G	20	TN	3686945C1																																																																																																																																																						
6	K95-GB	16	TN	3686946C1																																																																																																																																																						
7	K95H	20	TN	3686945C1																																																																																																																																																						
8	K95J	16	PL	3686946C1																																																																																																																																																						
9	K95K	20	TN	3686945C1																																																																																																																																																						
10	K95A1	20	TN	3686945C1																																																																																																																																																						
11	K95M	16	TN	3686946C1																																																																																																																																																						
12	K95B	20	TN	3686945C1																																																																																																																																																						
13	K95C	20	TN	3686945C1																																																																																																																																																						
14	K14	16	RD	3686946C1																																																																																																																																																						
15	K13AA	16	PK	3686946C1																																																																																																																																																						
16	K13E	16	PK	3686946C1																																																																																																																																																						
17	K95-GA	20	TN	3686945C1																																																																																																																																																						
18	K5(-)	18	GN	3686945C1																																																																																																																																																						
19	K5(+)	18	YL	3686945C1																																																																																																																																																						
20	K14AA	16	RD	3686946C1																																																																																																																																																						
CAV	CIRCUIT	GA	COLOR	TERMINAL																																																																																																																																																						
1*	95AP	16	TN	1651969C1																																																																																																																																																						
1	95AP	16	TN	1680205C1																																																																																																																																																						
1&	95AA	16	TN	1680205C1																																																																																																																																																						
1#	95AS	18	TN	3572625C1																																																																																																																																																						
2*	95S	18	TN	1651969C1																																																																																																																																																						
2	95S	18	TN	1680205C1																																																																																																																																																						
2&	95-GA	16	TN	1680205C1																																																																																																																																																						
2#	95-GA	16	TN	3572625C1																																																																																																																																																						
<p>PRESSURE HEATER LINE (676) (LOCATED NEAR DEF TANK)</p>  <p>CONNECTOR 3854666C91</p> <table border="1" style="width:100%; border-collapse: collapse; font-size: x-small;"> <thead> <tr> <th>CAV</th> <th>CIRCUIT</th> <th>GA</th> <th>COLOR</th> <th>TERMINAL</th> </tr> </thead> <tbody> <tr><td>1*</td><td>95AO</td><td>16</td><td>TN</td><td>1651969C1</td></tr> <tr><td>1*</td><td>95AO</td><td>16</td><td>TN</td><td>1680205C1</td></tr> <tr><td>1&</td><td>95AO</td><td>16</td><td>TN</td><td>1680205C1</td></tr> <tr><td>1%</td><td>95AO</td><td>16</td><td>TN</td><td>1680205C1</td></tr> <tr><td>1#</td><td>95BA</td><td>16</td><td>TN</td><td>1680205C1</td></tr> <tr><td>1**</td><td>95AT</td><td>18</td><td>TN</td><td>1680205C1</td></tr> <tr><td>2*</td><td>95U</td><td>18</td><td>TN</td><td>1651969C1</td></tr> <tr><td>2*</td><td>95U</td><td>18</td><td>TN</td><td>1680205C1</td></tr> <tr><td>2&</td><td>95U</td><td>18</td><td>TN</td><td>1680205C1</td></tr> <tr><td>2%</td><td>95U</td><td>18</td><td>TN</td><td>1680205C1</td></tr> <tr><td>2#</td><td>95-GB</td><td>18</td><td>TN</td><td>1680205C1</td></tr> <tr><td>2**</td><td>95-GB</td><td>16</td><td>TN</td><td>1680205C1</td></tr> </tbody> </table> <p style="font-size: x-small;">* W/JUMPER, PVT SBA 115, N13 DEF TANK, BOC & UC & W/JUMPER, PVT SBA 115 & PVT SFA 114, N13 DEF TANK, VERT-VERT % W/JUMPER, PVT SFA 114, N13 DEF TANK, UC # W/JUMPER, PVT, ISX DEF TANK, BOC & UC ** W/F-2017-ISX-ENG W/F-2017-N13-ENG</p>		CAV	CIRCUIT	GA	COLOR	TERMINAL	1*	95AO	16	TN	1651969C1	1*	95AO	16	TN	1680205C1	1&	95AO	16	TN	1680205C1	1%	95AO	16	TN	1680205C1	1#	95BA	16	TN	1680205C1	1**	95AT	18	TN	1680205C1	2*	95U	18	TN	1651969C1	2*	95U	18	TN	1680205C1	2&	95U	18	TN	1680205C1	2%	95U	18	TN	1680205C1	2#	95-GB	18	TN	1680205C1	2**	95-GB	16	TN	1680205C1																																																																																								
CAV	CIRCUIT	GA	COLOR	TERMINAL																																																																																																																																																						
1*	95AO	16	TN	1651969C1																																																																																																																																																						
1*	95AO	16	TN	1680205C1																																																																																																																																																						
1&	95AO	16	TN	1680205C1																																																																																																																																																						
1%	95AO	16	TN	1680205C1																																																																																																																																																						
1#	95BA	16	TN	1680205C1																																																																																																																																																						
1**	95AT	18	TN	1680205C1																																																																																																																																																						
2*	95U	18	TN	1651969C1																																																																																																																																																						
2*	95U	18	TN	1680205C1																																																																																																																																																						
2&	95U	18	TN	1680205C1																																																																																																																																																						
2%	95U	18	TN	1680205C1																																																																																																																																																						
2#	95-GB	18	TN	1680205C1																																																																																																																																																						
2**	95-GB	16	TN	1680205C1																																																																																																																																																						
CHK	DATE	CHANGE	REV	REFERENCE	DRAWN	NAME																																																																																																																																																				
MJVD	09NOV17	UPDATED R/D 675 & 676	C	94199M	23132818	CIRCUIT DIAGRAM, M-PVT-SS																																																																																																																																																				
					RELEASE NO.	DATE	PART NO.	SHEET																																																																																																																																																		
					93368U	10DEC15	AE08082624	035																																																																																																																																																		

Figure 356 Connector Composites (*674D / 675 / 676)

13.50. CONNECTOR COMPOSITES (677 / 678), P. 36

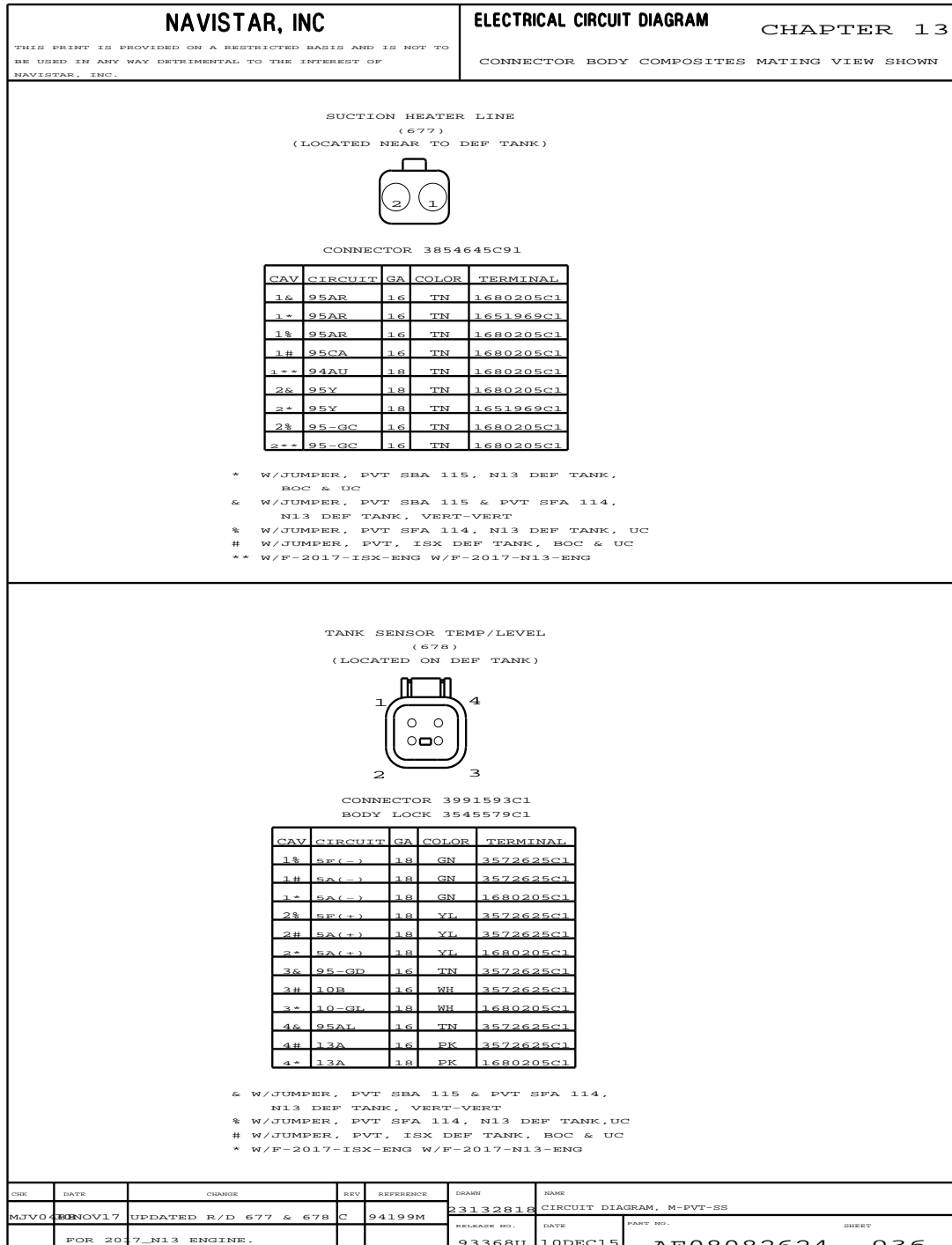


Figure 357 Connector Composites (677 / 678)

13.51. CONNECTOR COMPOSITES (679), P. 37

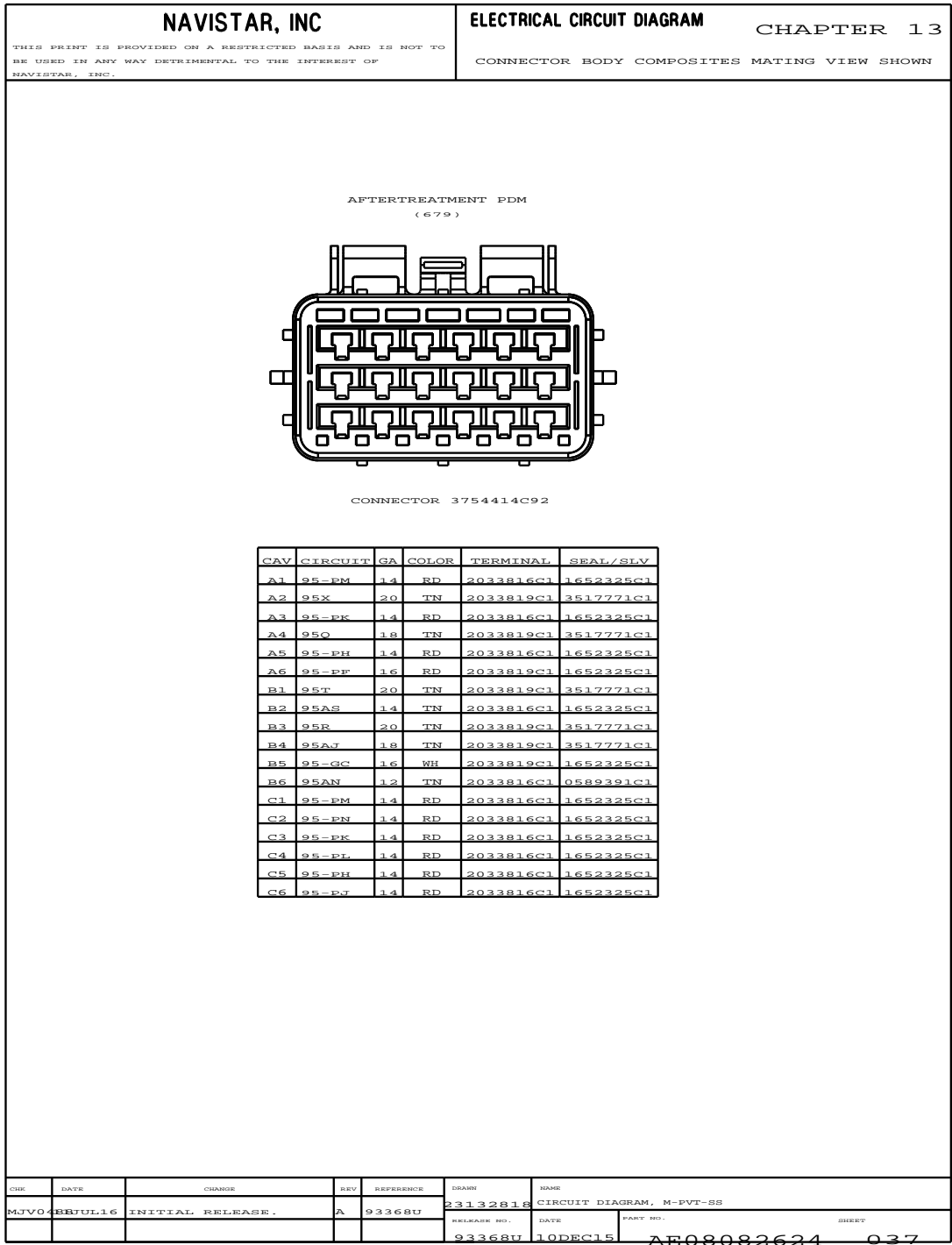


Figure 358 Connector Composites (679)

13.52. CONNECTOR COMPOSITES (679), P. 38

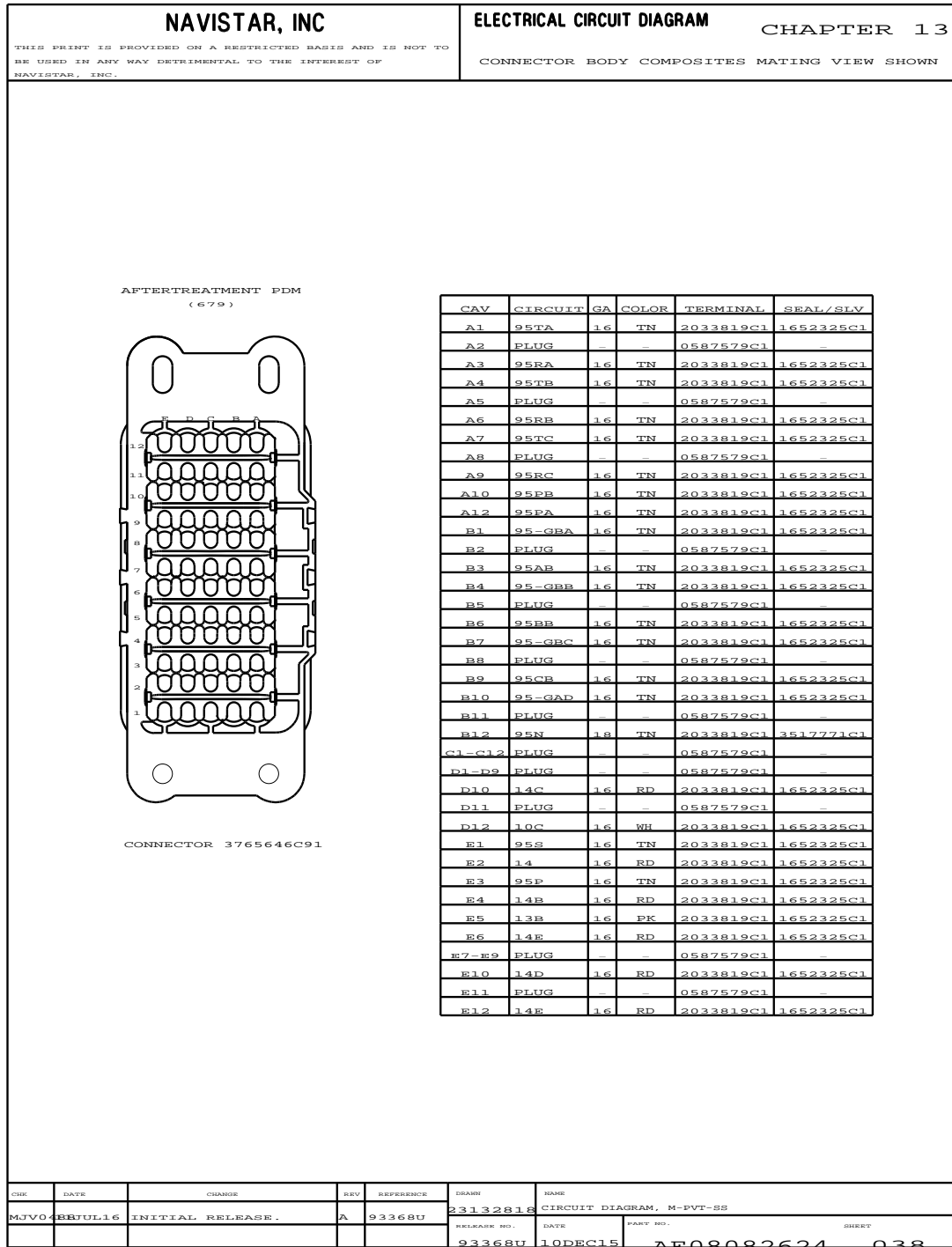


Figure 359 Connector Composites (679)

13.53. CONNECTOR COMPOSITES (679F / 680 / *680 / 680F), P. 39

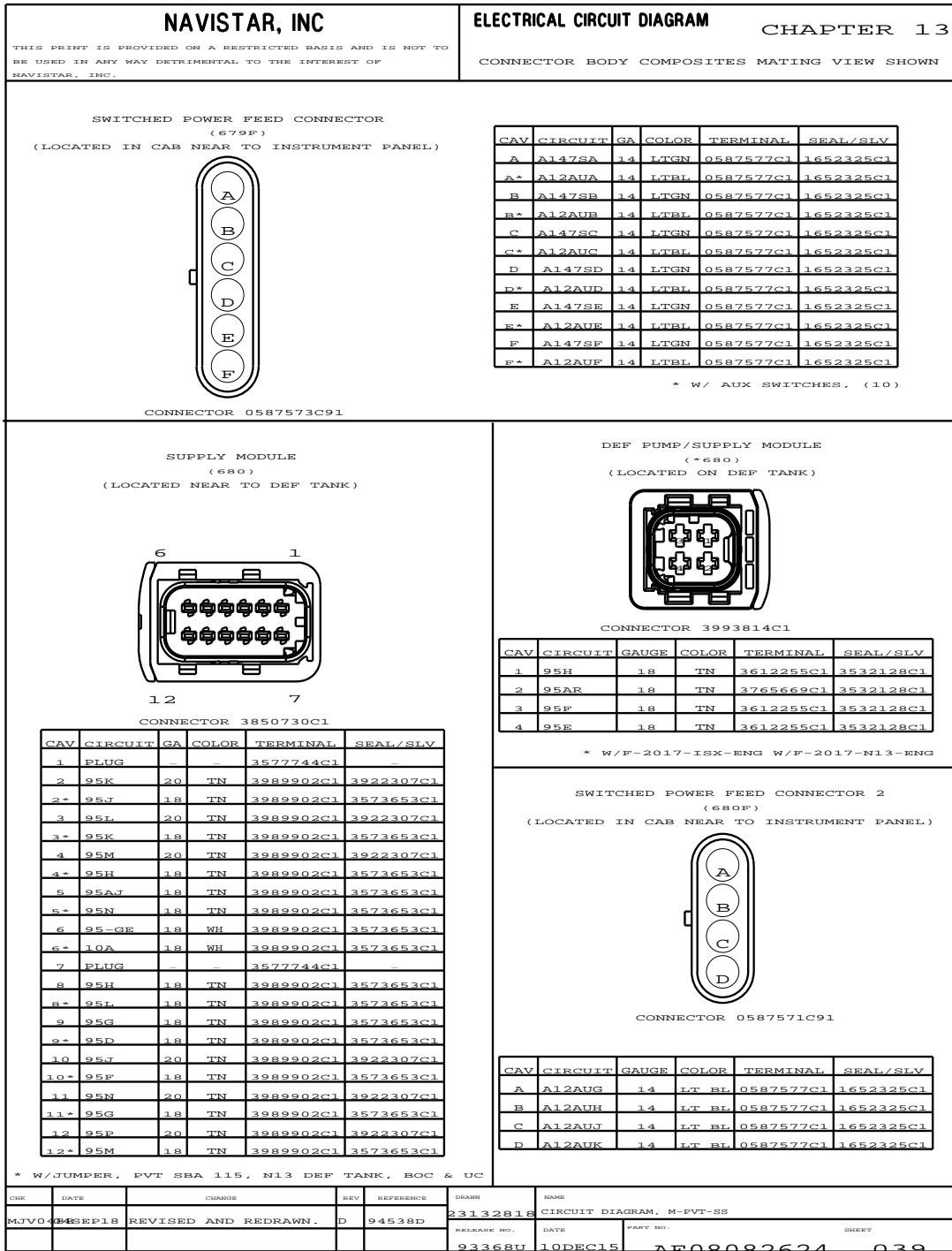


Figure 360 Connector Composites (679F / 680 / *680 / 680F)

13.54. CONNECTOR COMPOSITES (*681 / 685), P. 40

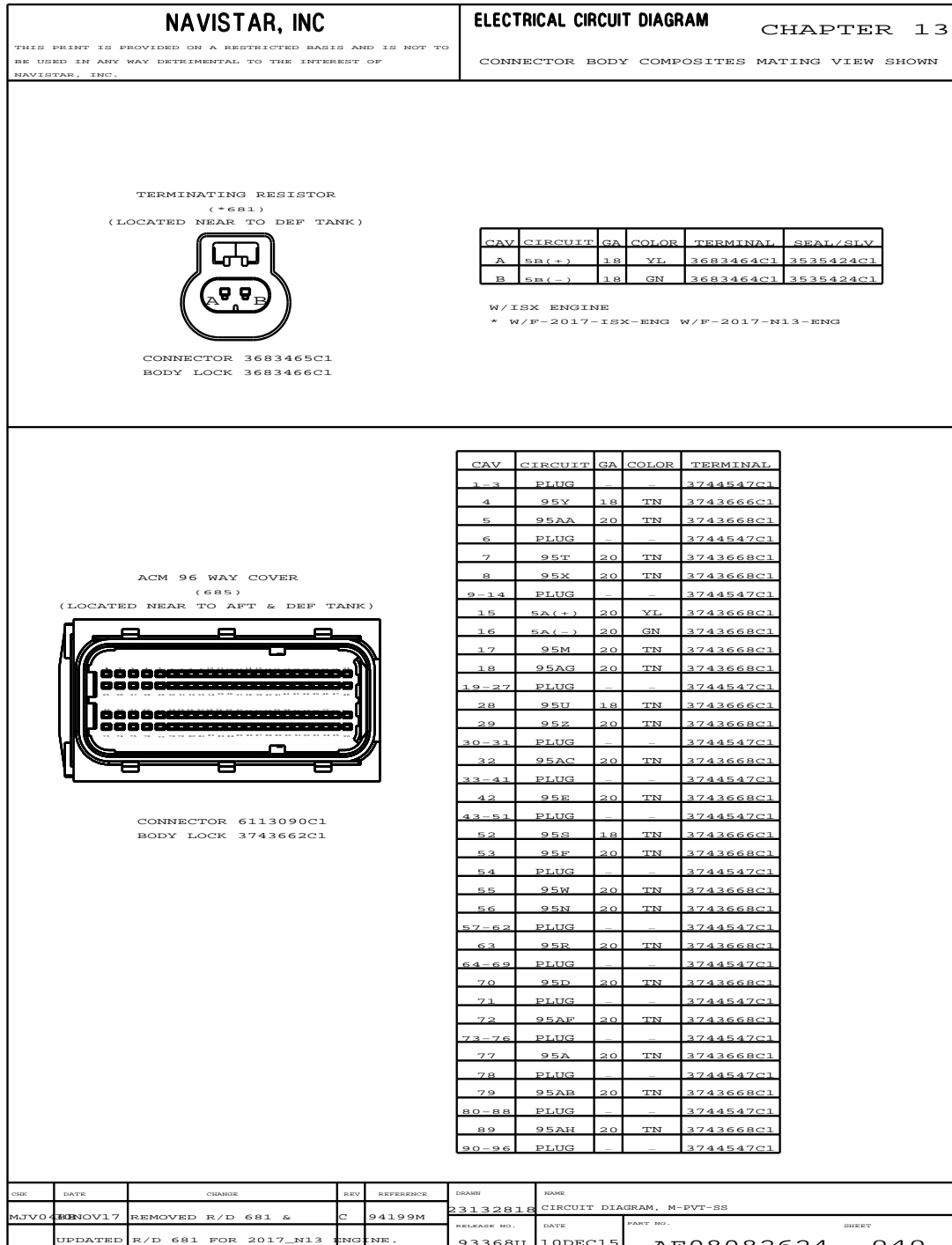


Figure 361 Connector Composites (*681 / 685)

13.55. CONNECTOR COMPOSITES (686 / 687 / 687A), P. 41

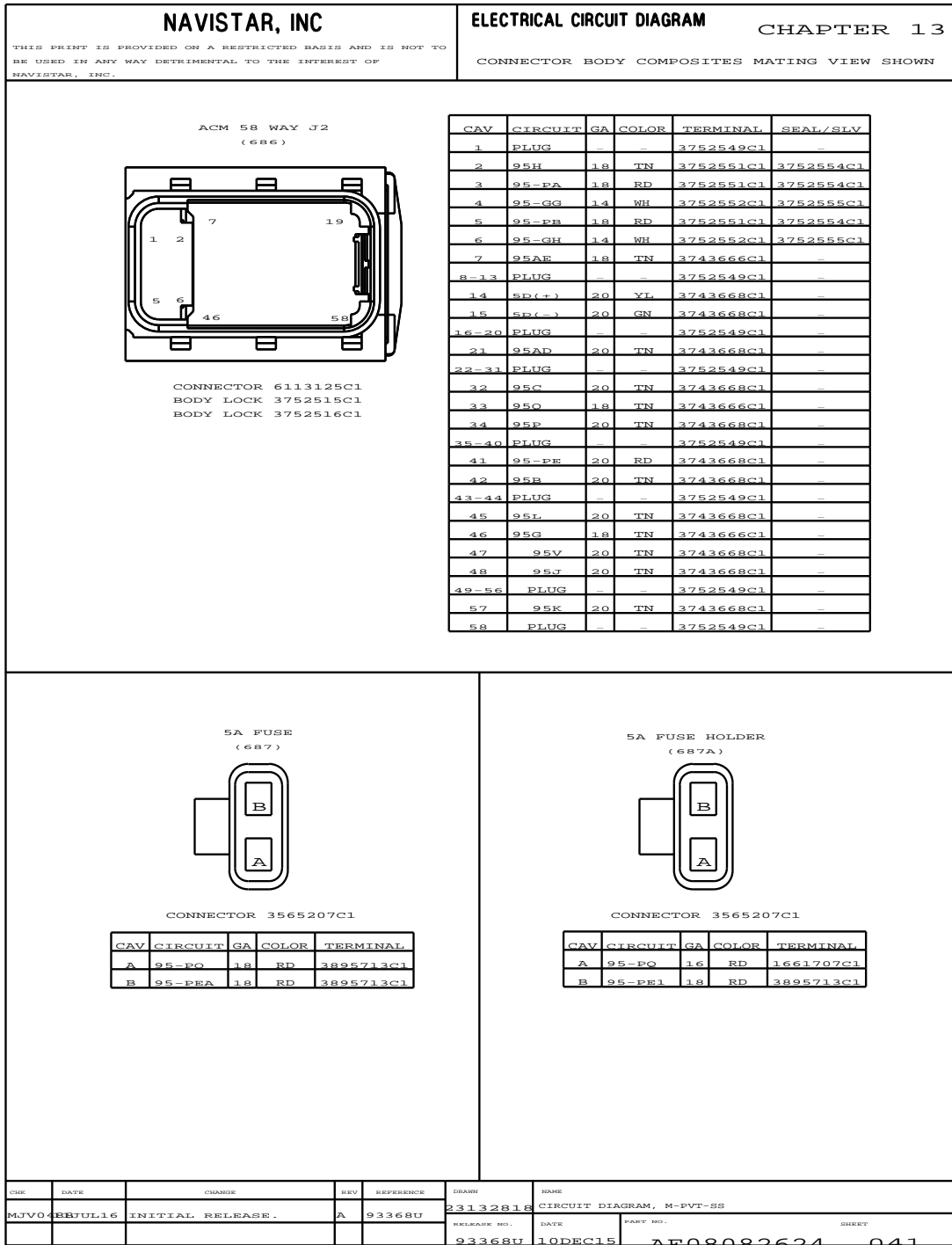


Figure 362 Connector Composites (686 / 687 / 687A)

13.56. CONNECTOR COMPOSITES (690), P. 42

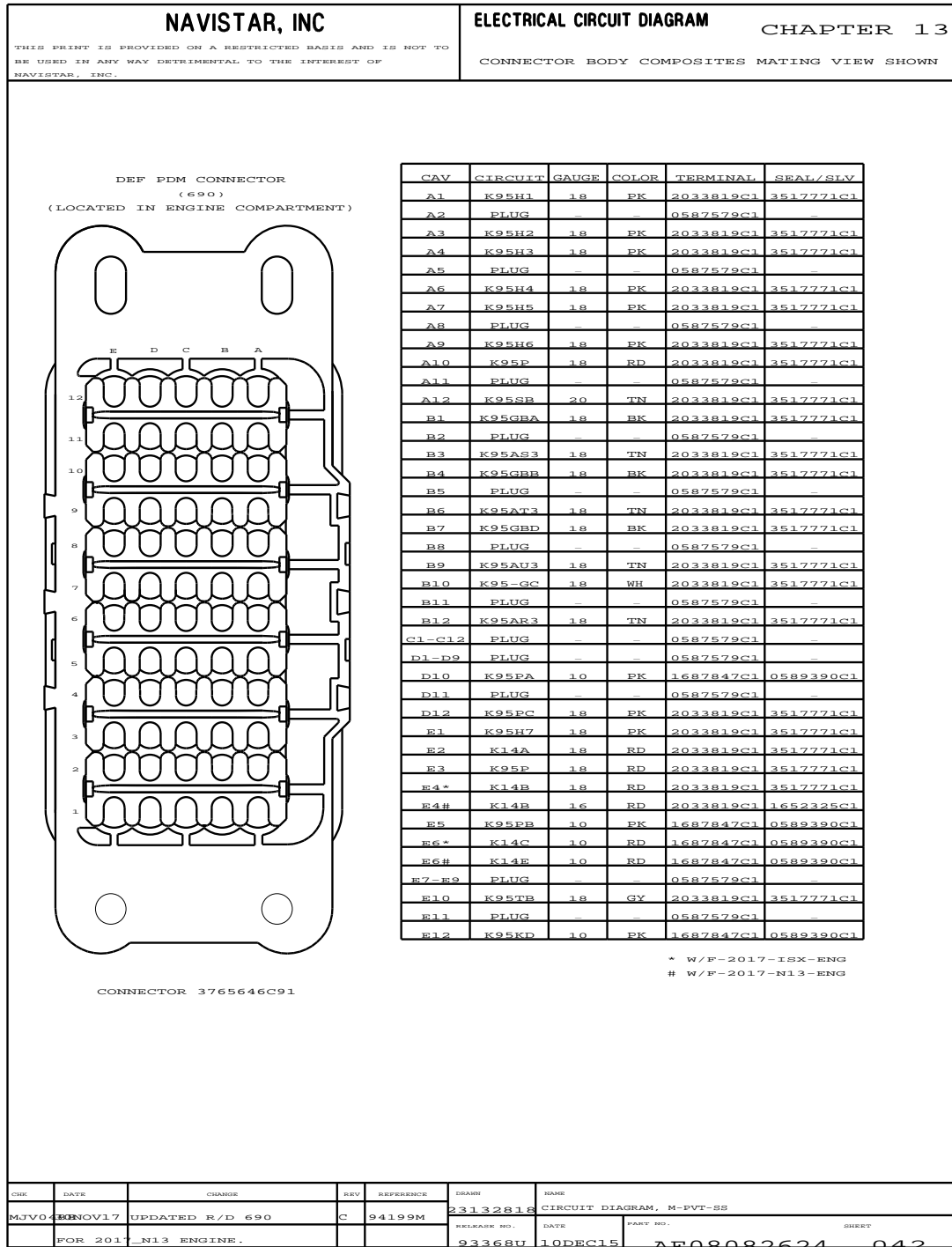


Figure 363 Connector Composites (690)

13.57. CONNECTOR COMPOSITES (690 / *690 / 691 / 789 / 800), P. 42A

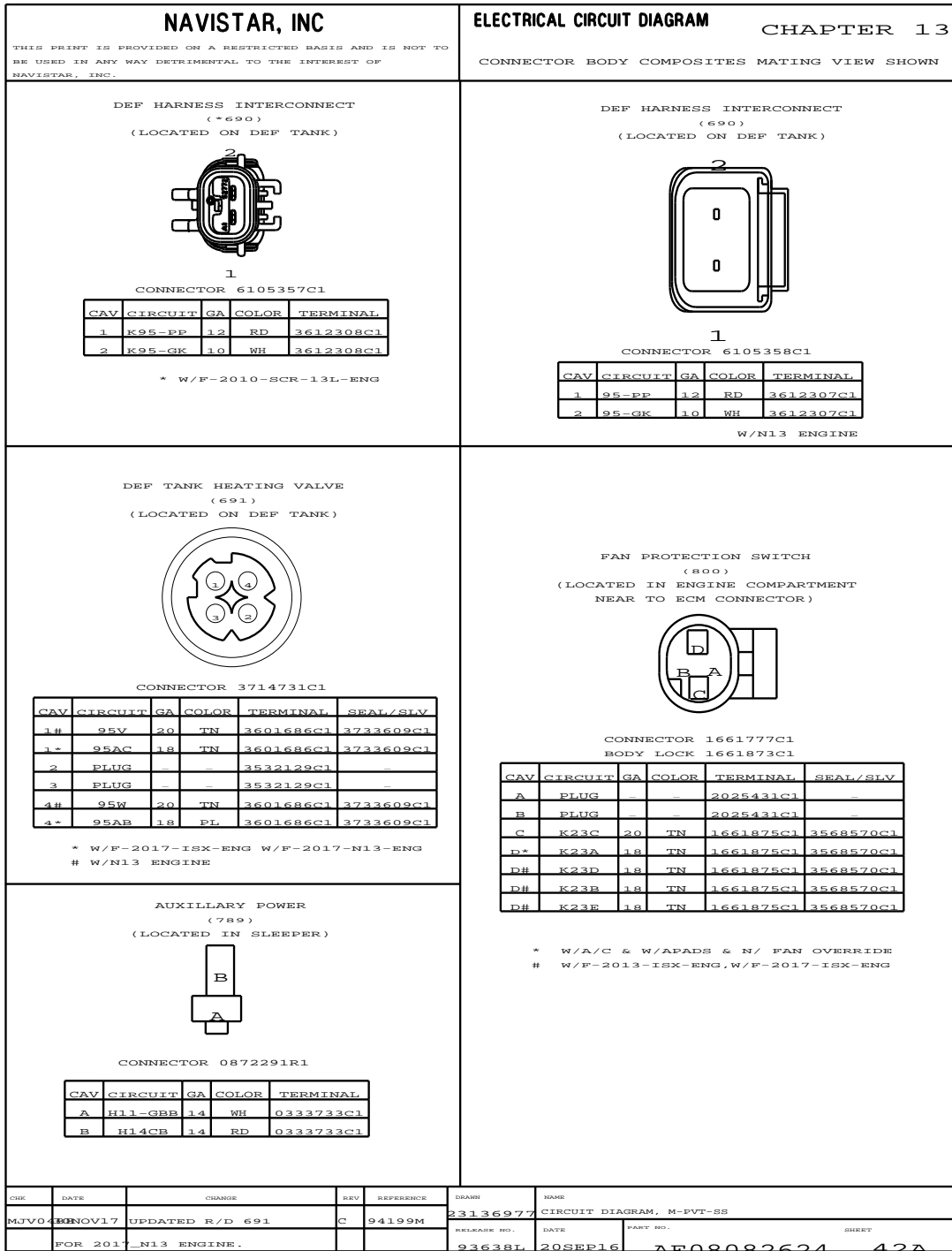


Figure 364 Connector Composites (690 / *690 / 691 / 789 / 800)

13.58. CONNECTOR COMPOSITES (#800F / 878F / 879M / 884F / 885F / 905M), P. 43

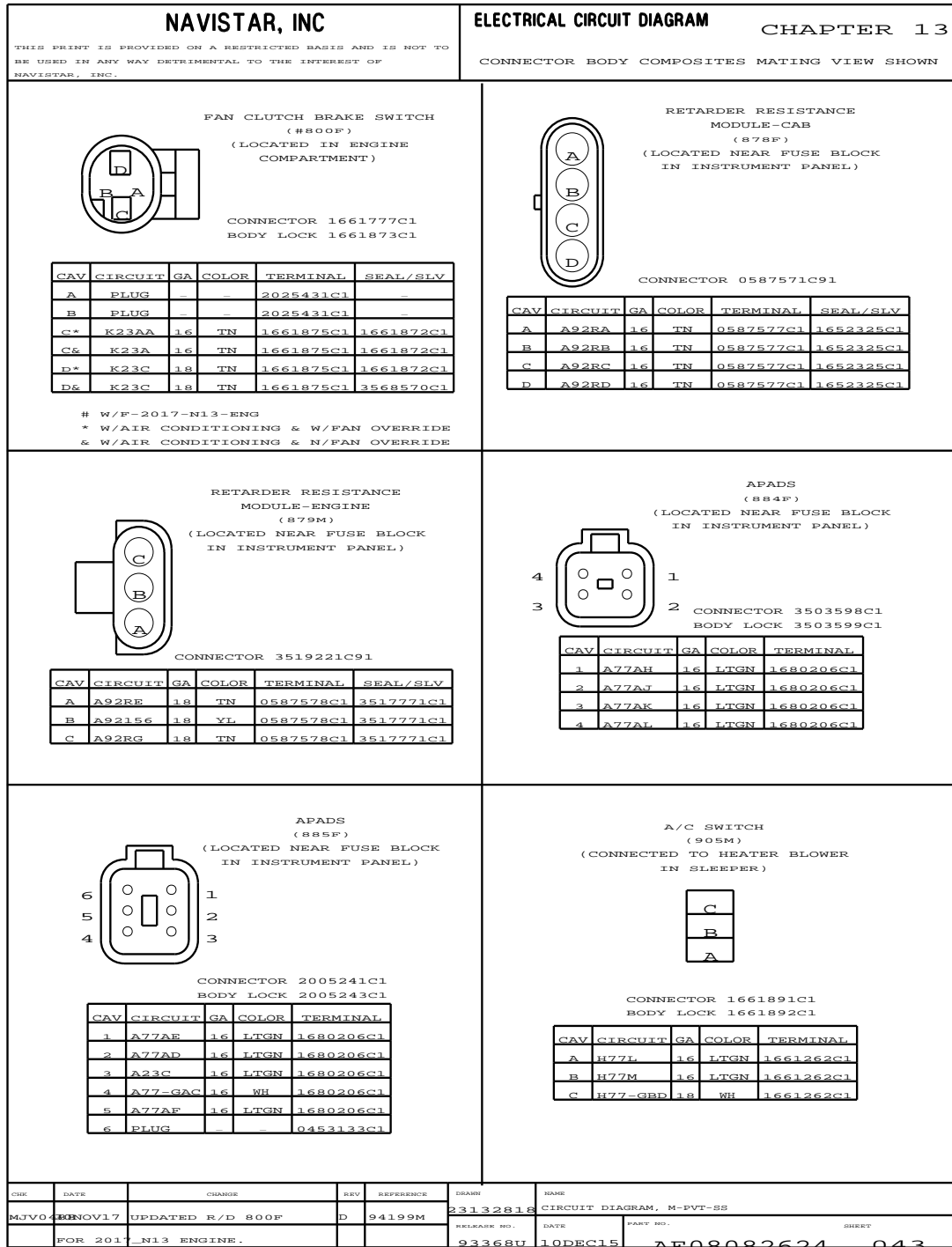


Figure 365 Connector Composites (800F / 878F / 879M / 884F / 885F / 905M)

13.59. CONNECTOR COMPOSITES (906F / 906M), P. 43A

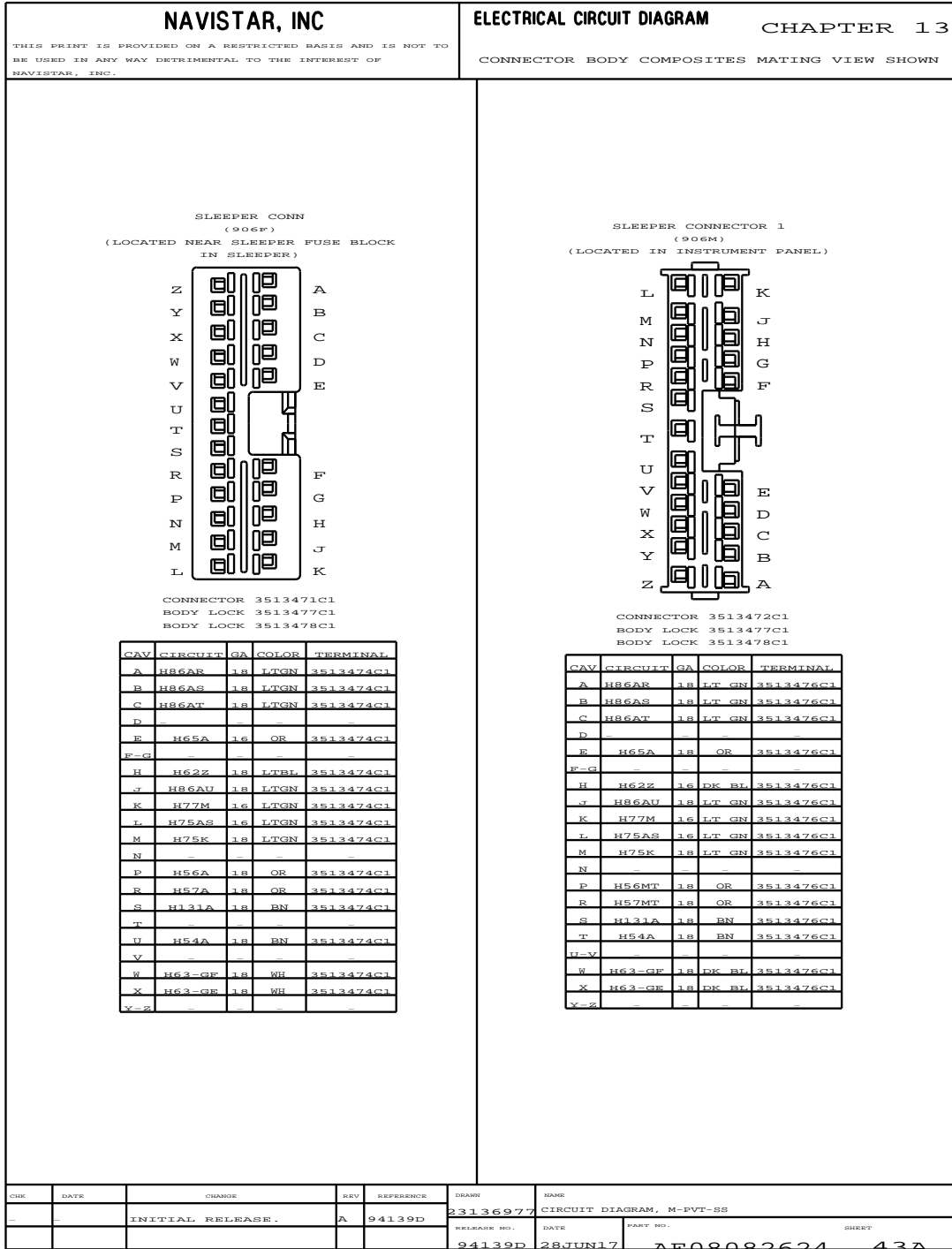


Figure 366 Connector Composites (906F / 906M)

13.60. CONNECTOR COMPOSITES (907M / 922M / 923F / 923H / 923J), P. 43B

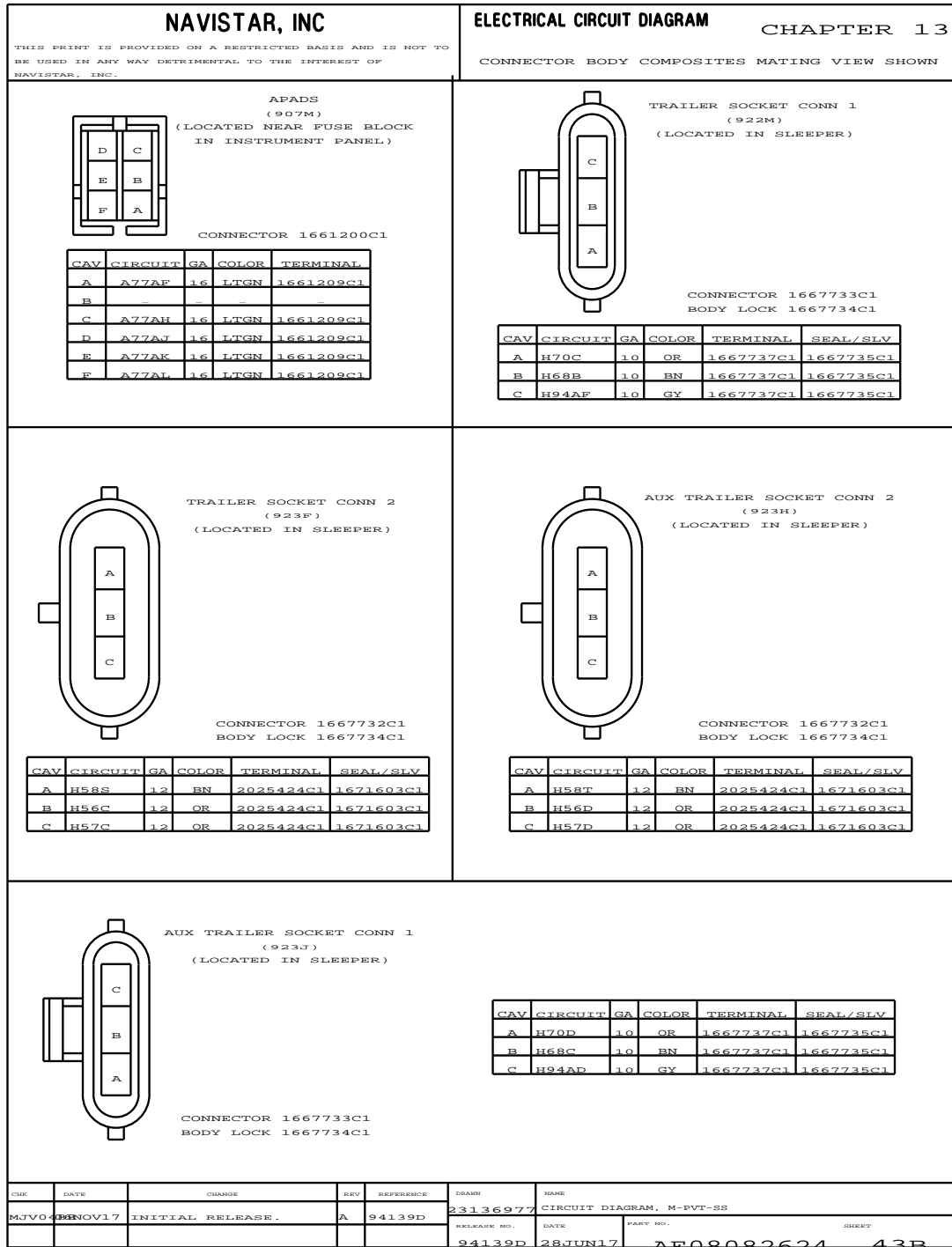


Figure 367 Connector Composites (907M / 922M / 923F / 923H / 923J)

13.61. CONNECTOR COMPOSITES (935F / 936F / 937F / 942F / 942M / 945A), P. 44

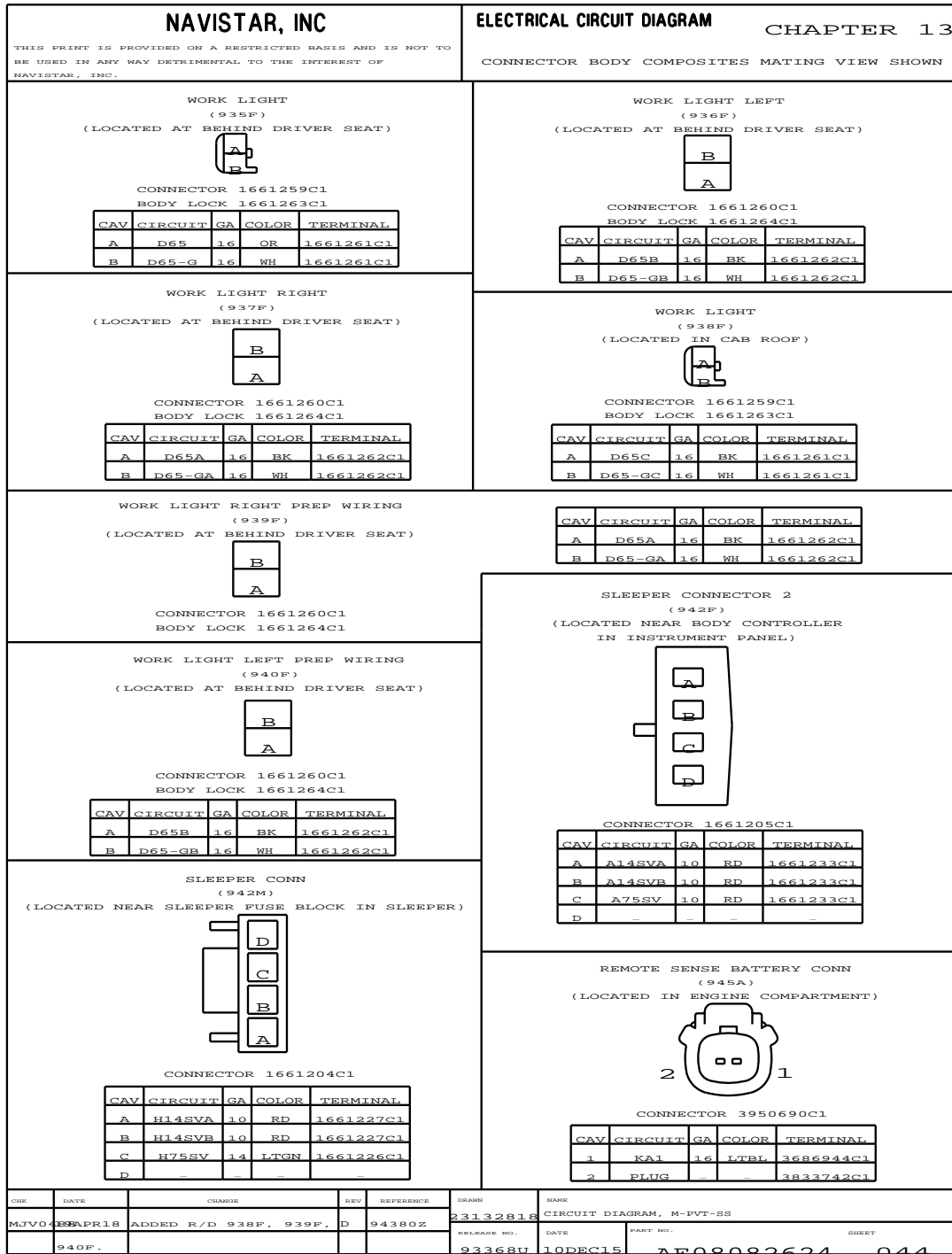


Figure 368 Connector Composites (935F / 936F / 937F / 942F / 942M / 945A)

13.62. CONNECTOR COMPOSITES (*946 / 958F / 974F / 975F / 979F), P. 44A

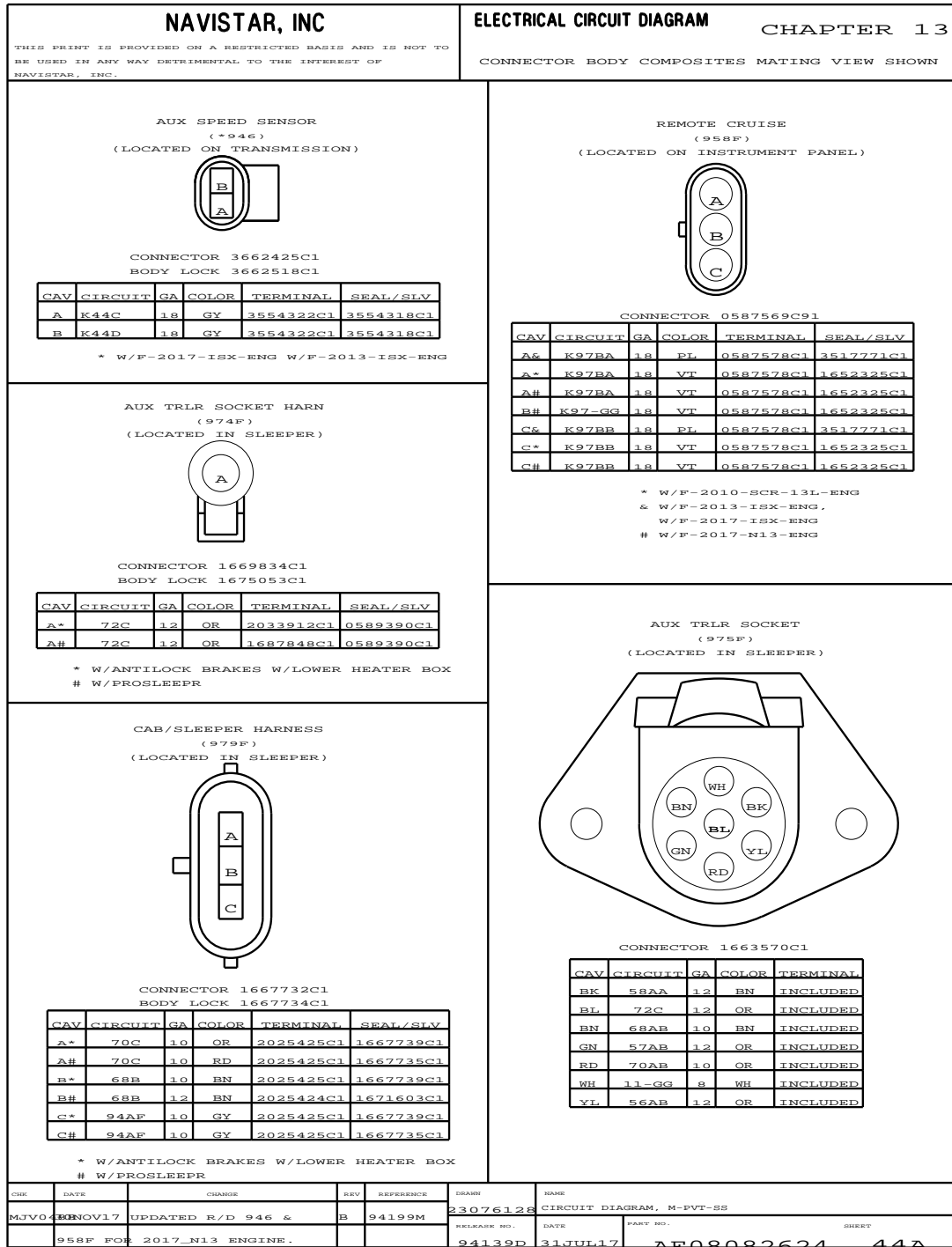


Figure 369 Connector Composites (*946 / 958F / 974F / 975F / 979F)

13.63. CONNECTOR COMPOSITES (980M / 981F / 982M), P. 44B

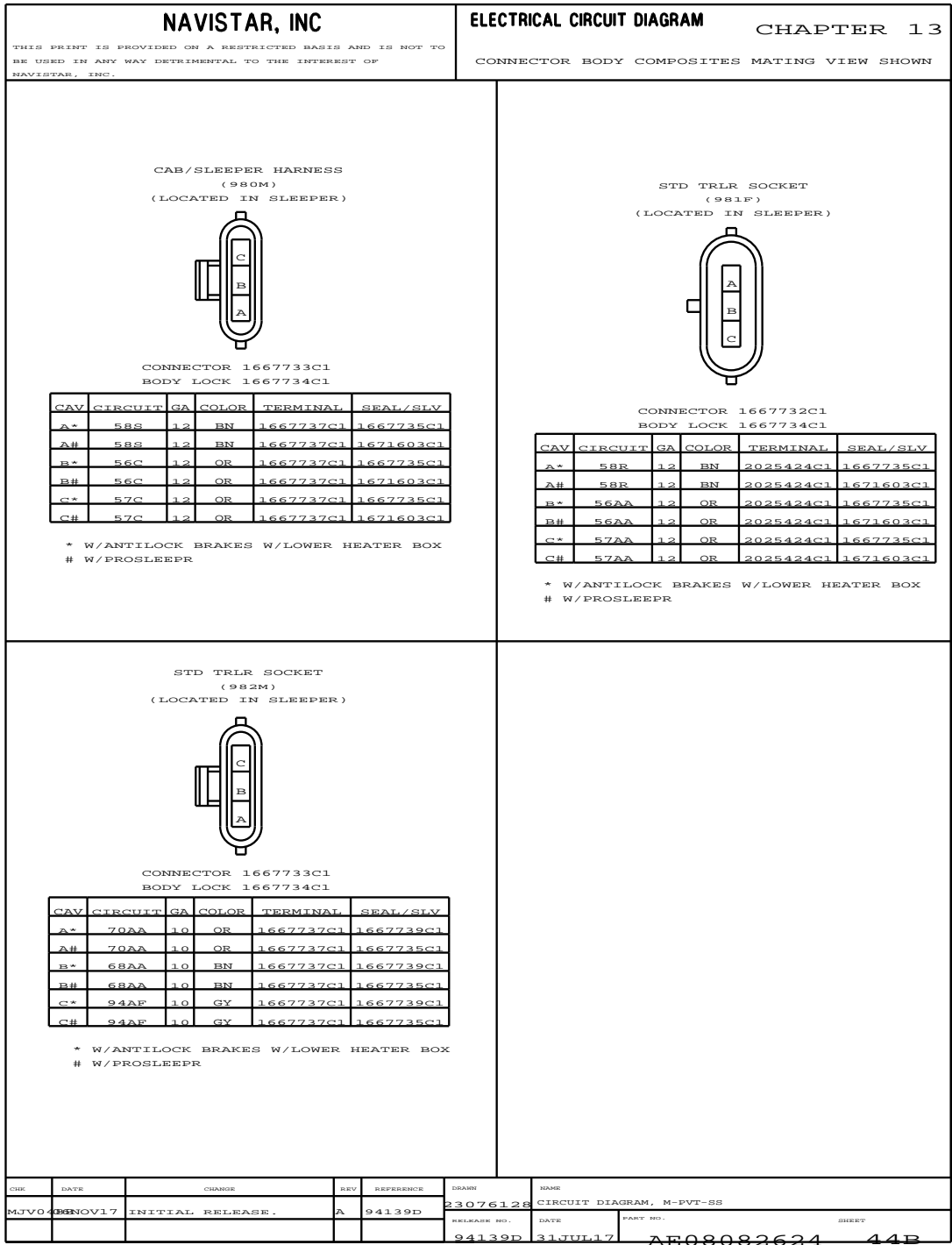


Figure 370 Connector Composites (980M / 981F / 982M)

13.64. CONNECTOR COMPOSITES (1001), P. 45

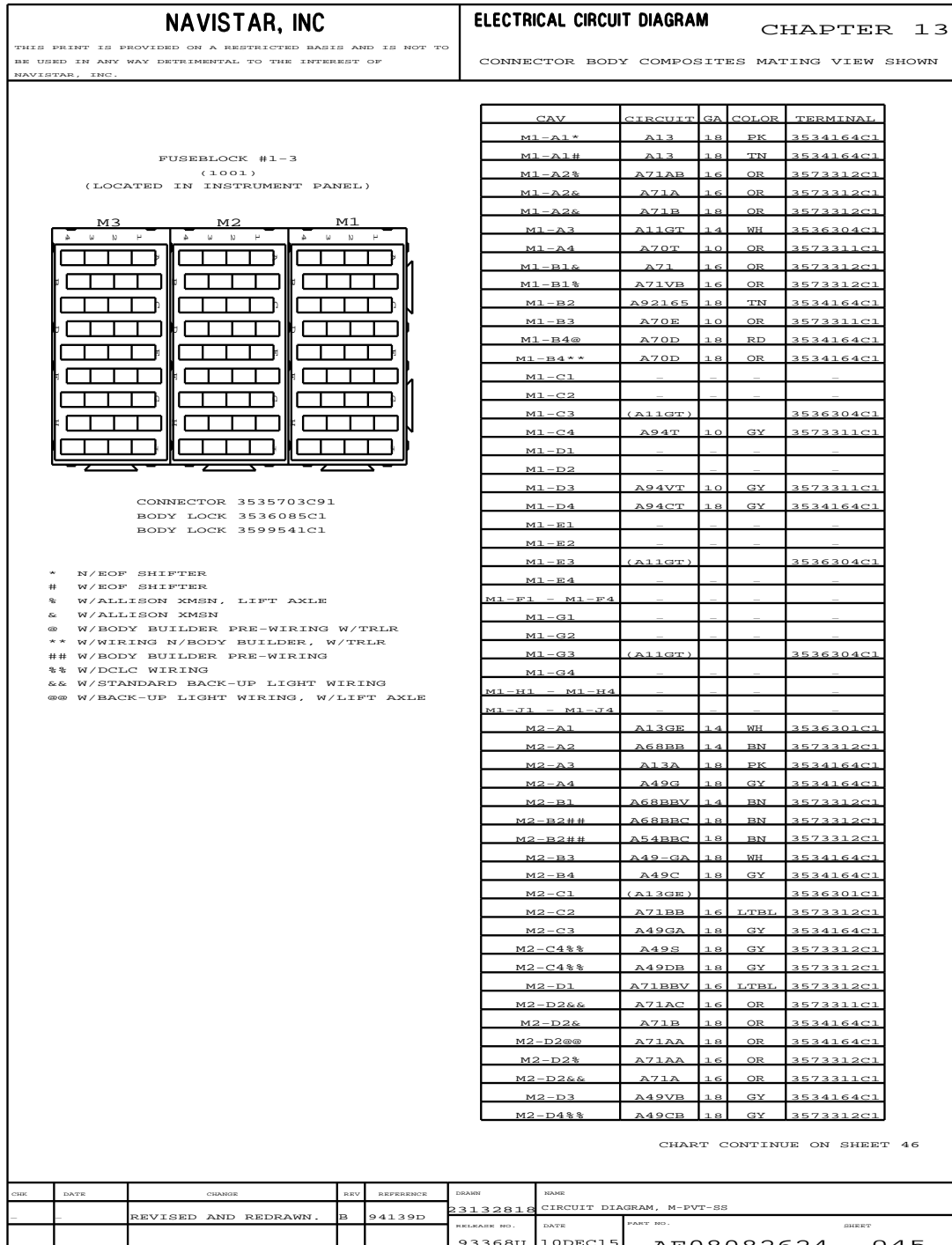


Figure 371 Connector Composites (1001)

13.65. CONNECTOR COMPOSITES (1001), P. 46

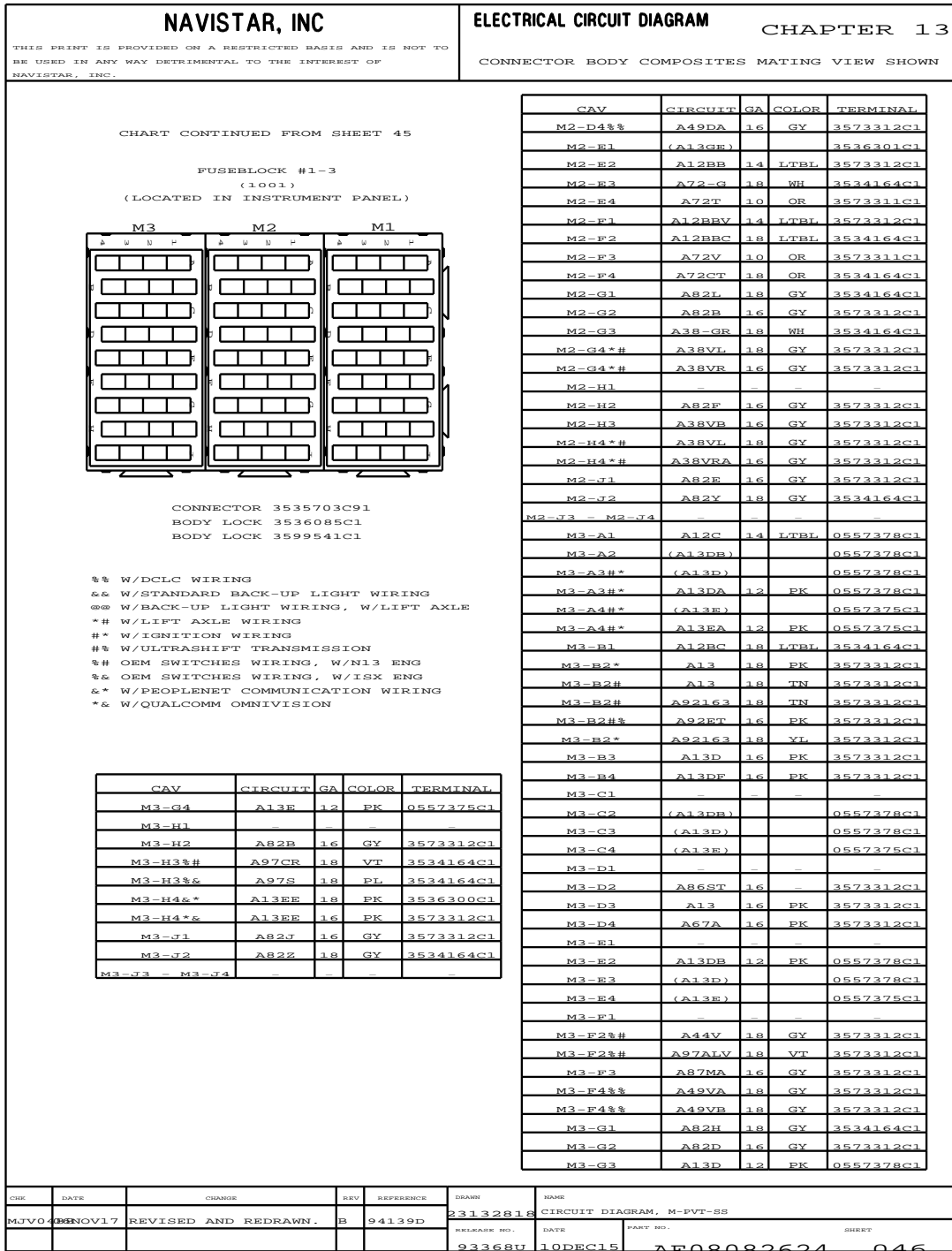


Figure 372 Connector Composites (1001)

13.66. CONNECTOR COMPOSITES (1002), P. 47

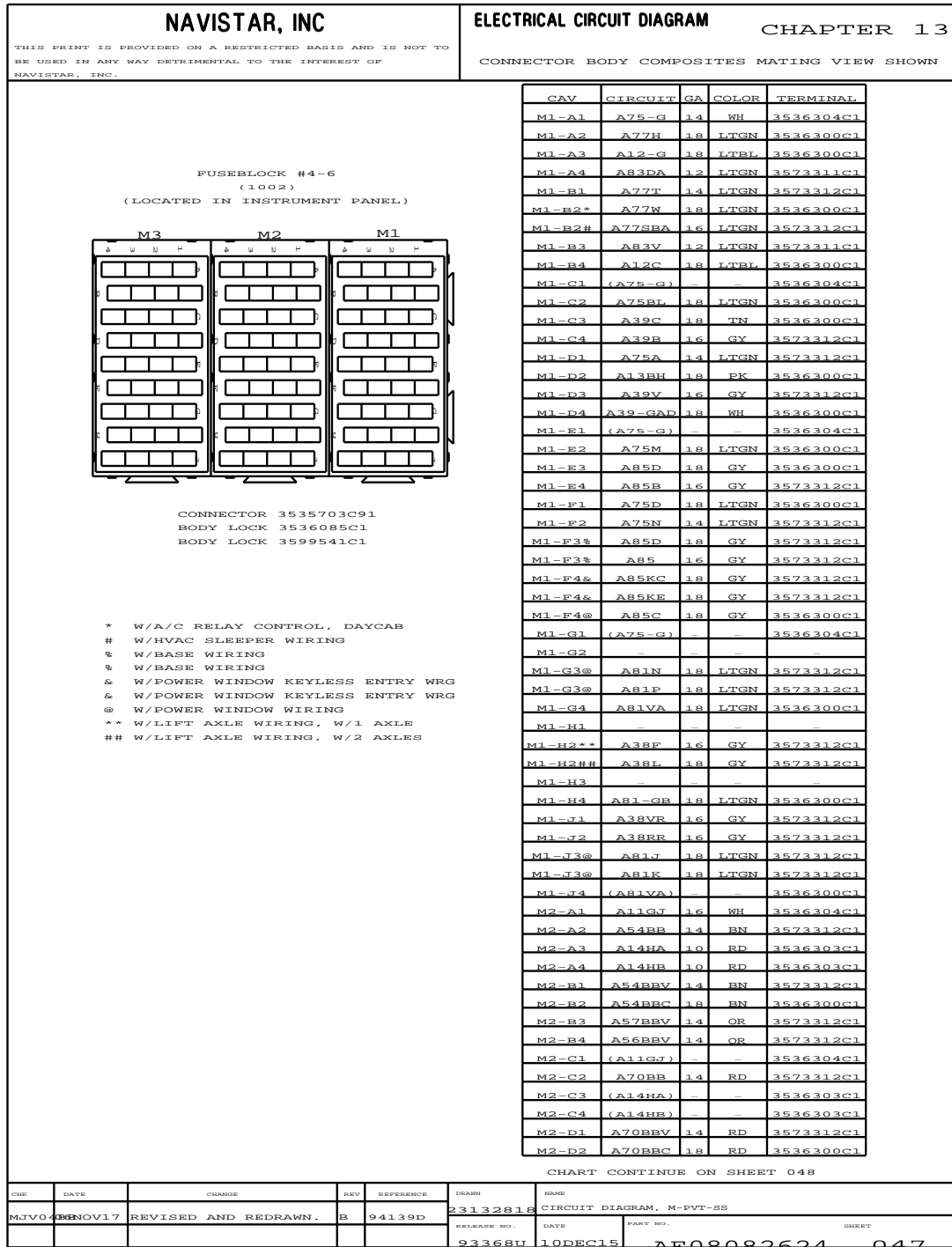


Figure 373 Connector Composites (1002)

13.67. CONNECTOR COMPOSITES (1002), P. 48

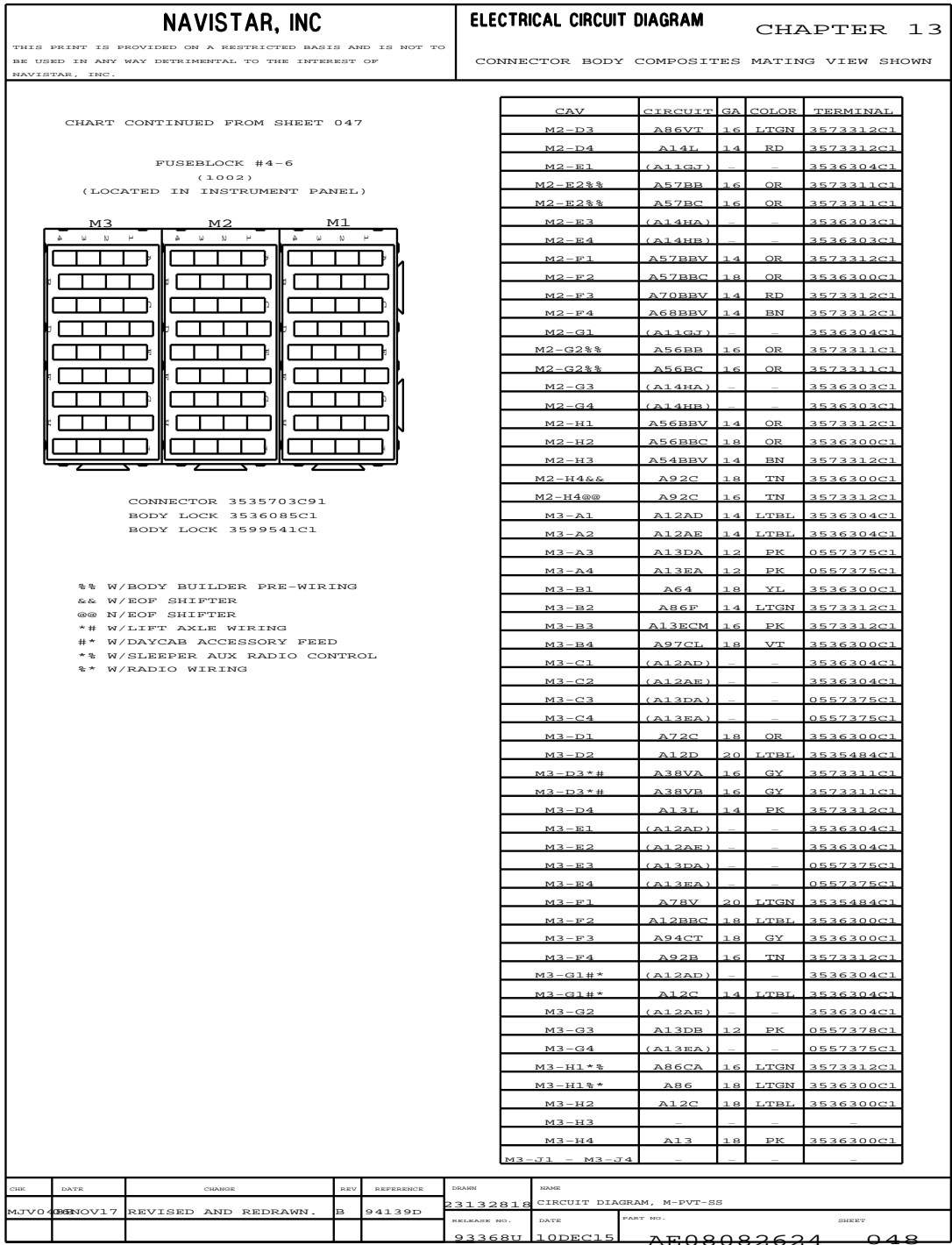


Figure 374 Connector Composites (1002)

13.68. CONNECTOR COMPOSITES (1003), P. 49

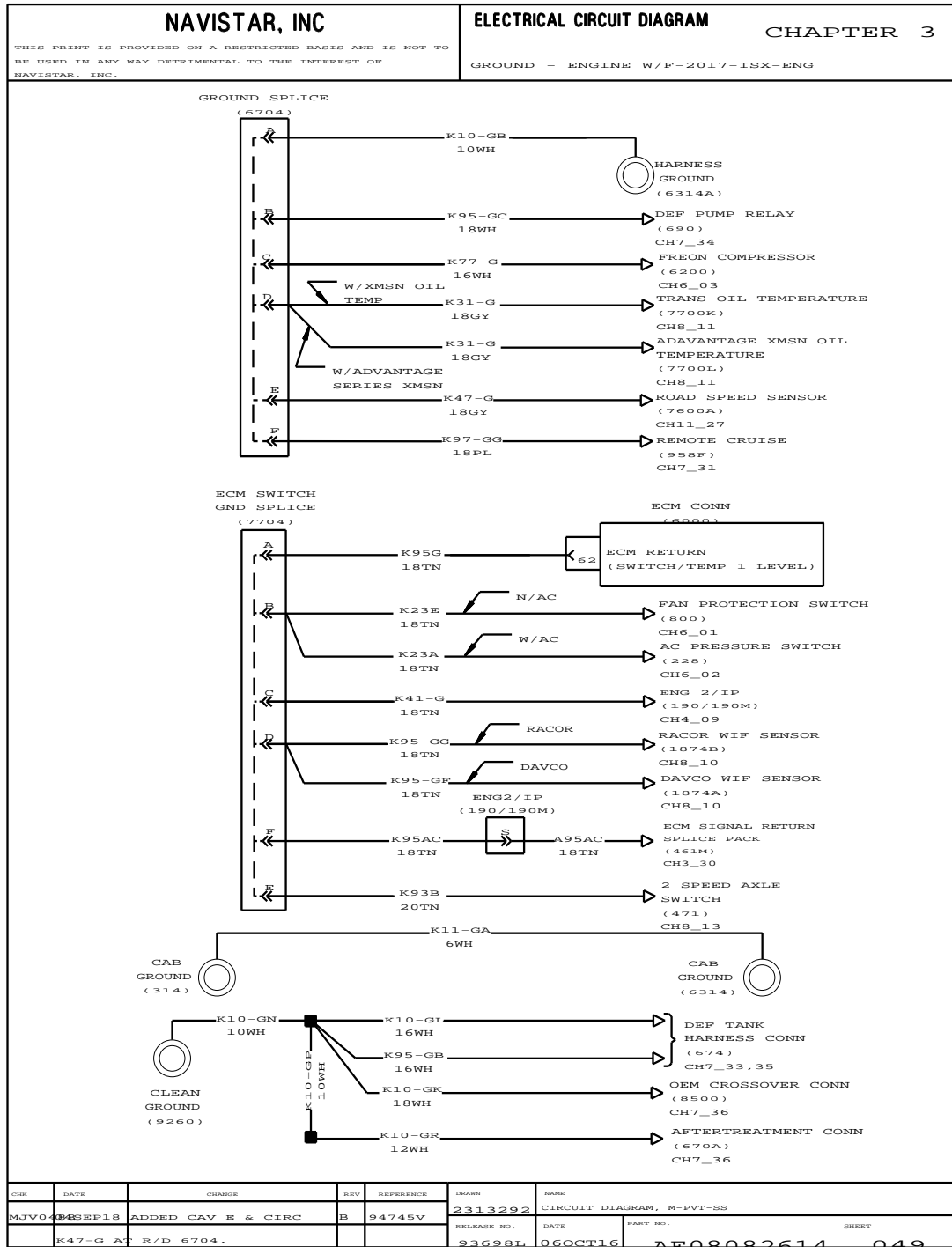


Figure 375 Connector Composites (1003)

13.69. CONNECTOR COMPOSITES (1003), P. 50

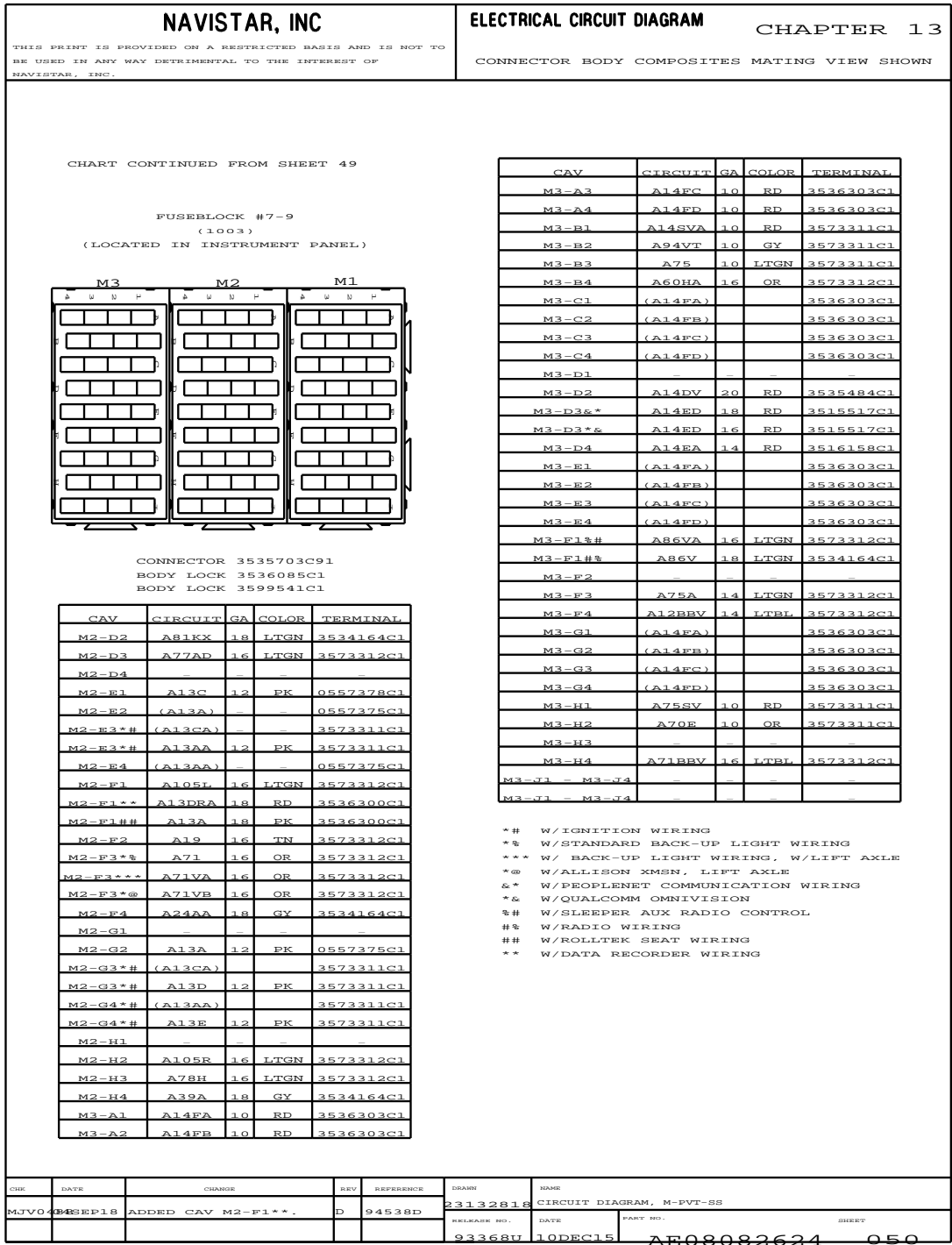


Figure 376 Connector Composites (1003)

13.70. CONNECTOR COMPOSITES (1004), P. 51

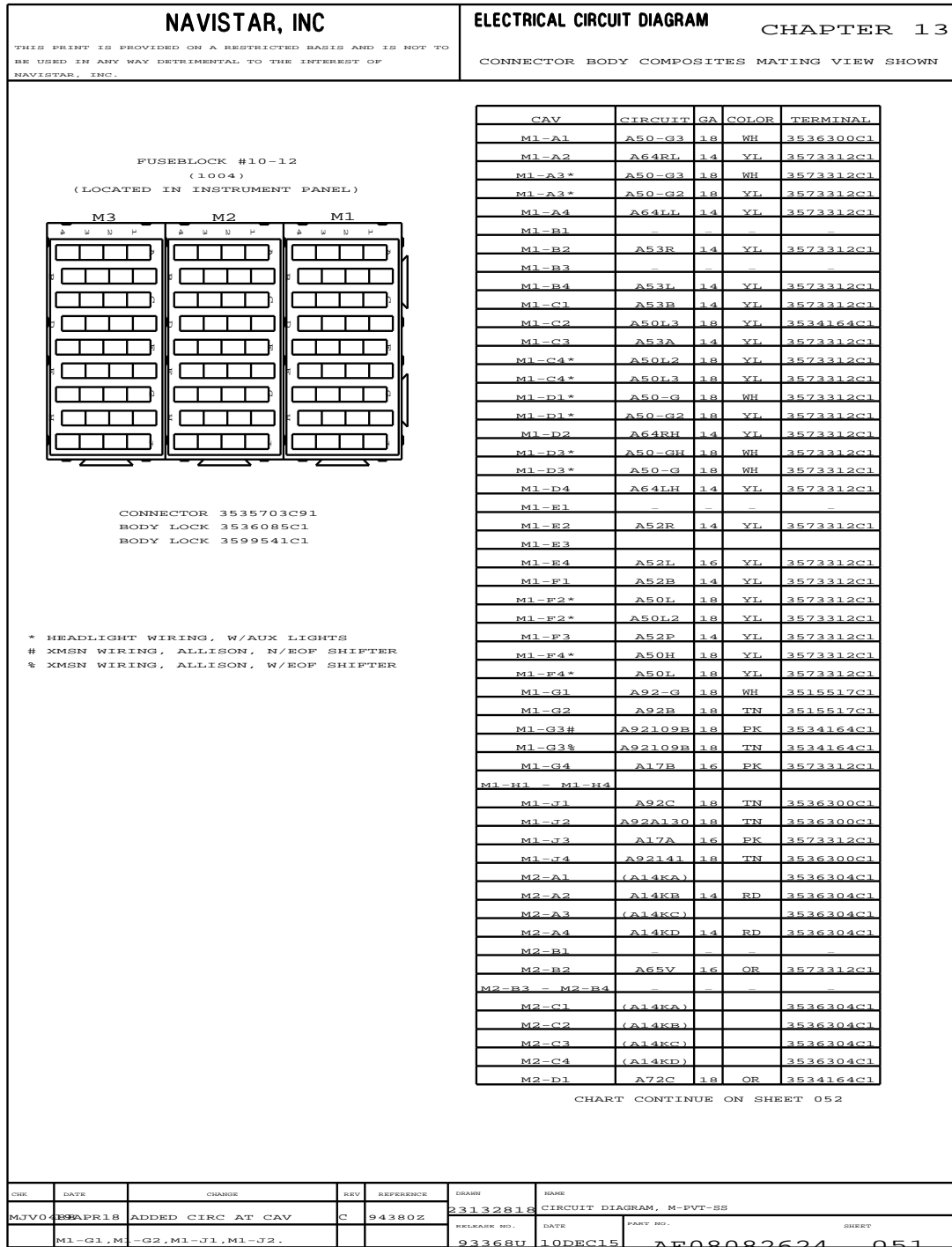


Figure 377 Connector Composites (1004)

13.71. CONNECTOR COMPOSITES (1004), P. 52

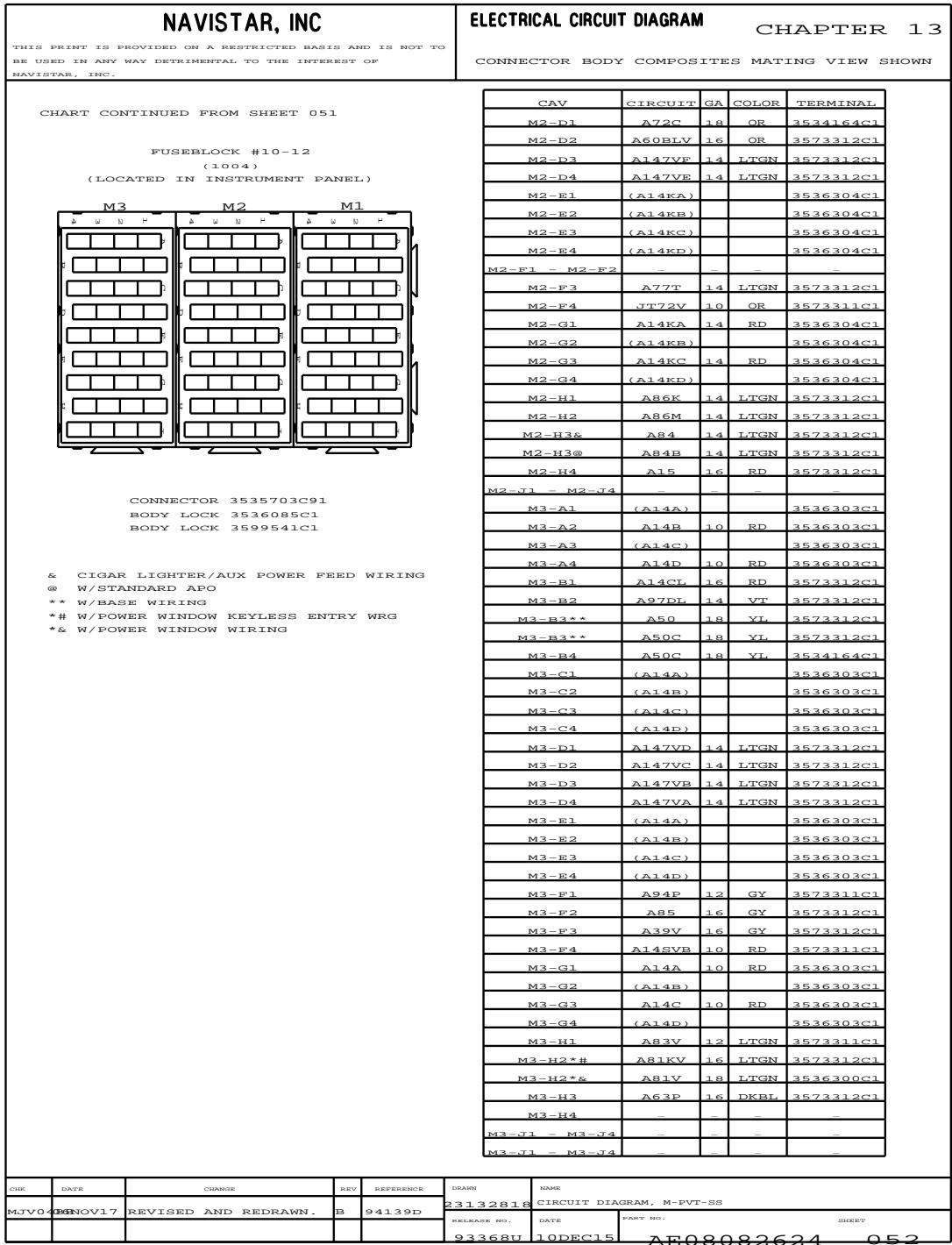


Figure 378 Connector Composites (1004)

13.72. CONNECTOR COMPOSITES (1015 / 1015A / 1020 / 1021 / 1023A), P. 53

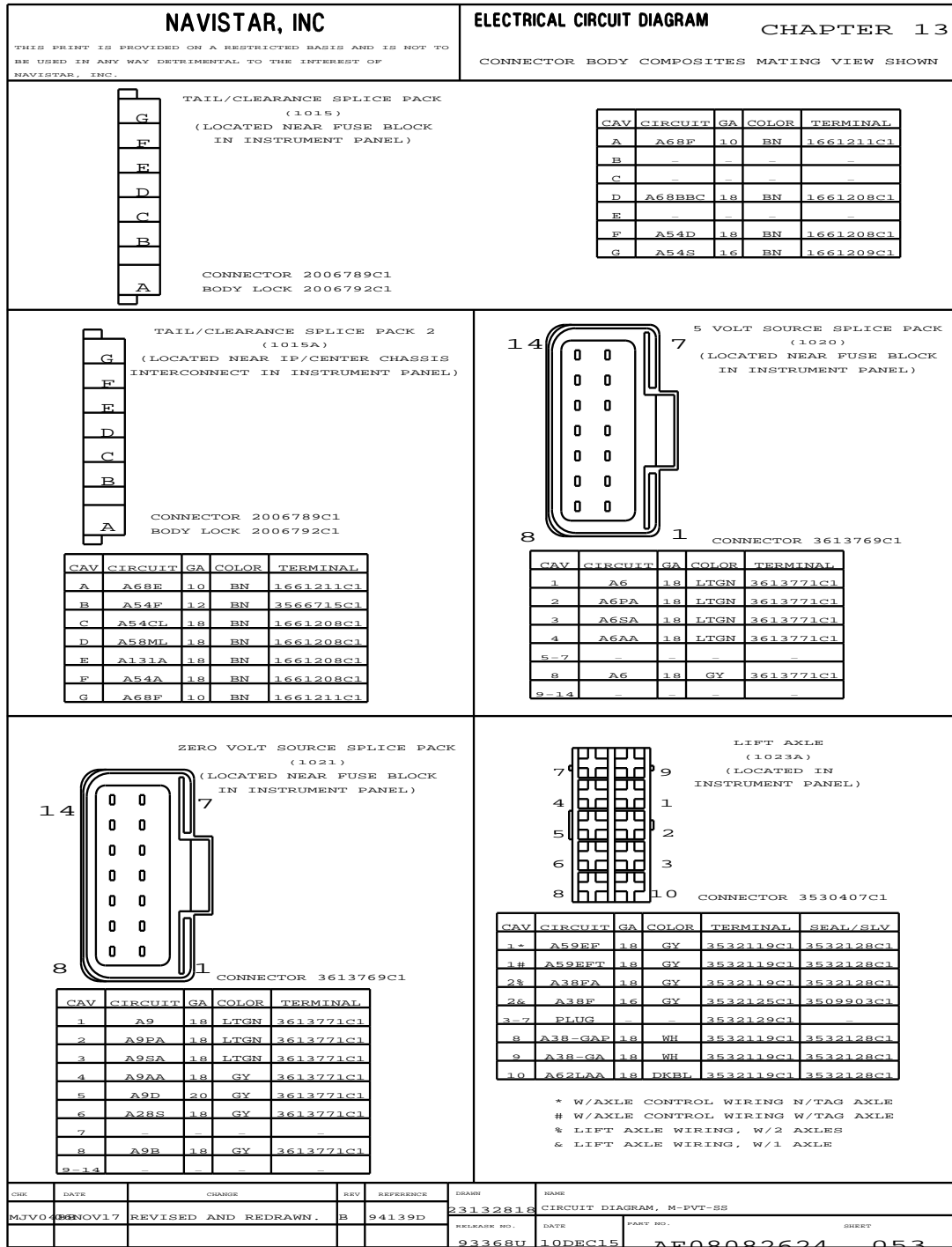


Figure 379 Connector Composites (1015 / 1015A / 1020 / 1021 / 1023A)

13.73. CONNECTOR COMPOSITES (1023B / 1023C / 1025 / 1026), P. 54

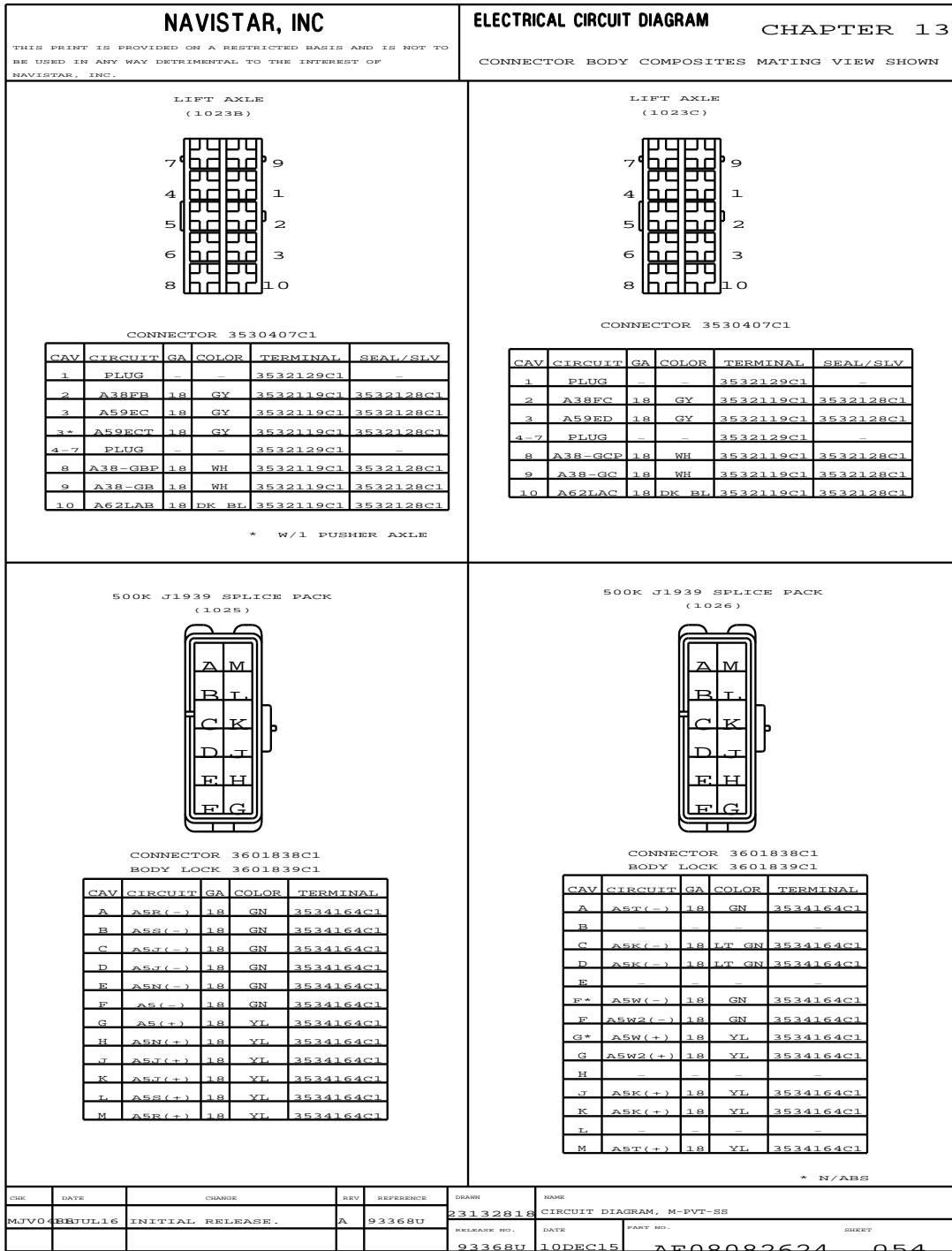


Figure 380 Connector Composites (1023B / 1023C / 1025 / 1026)

13.74. CONNECTOR COMPOSITES (1027 / 1028), P. 55

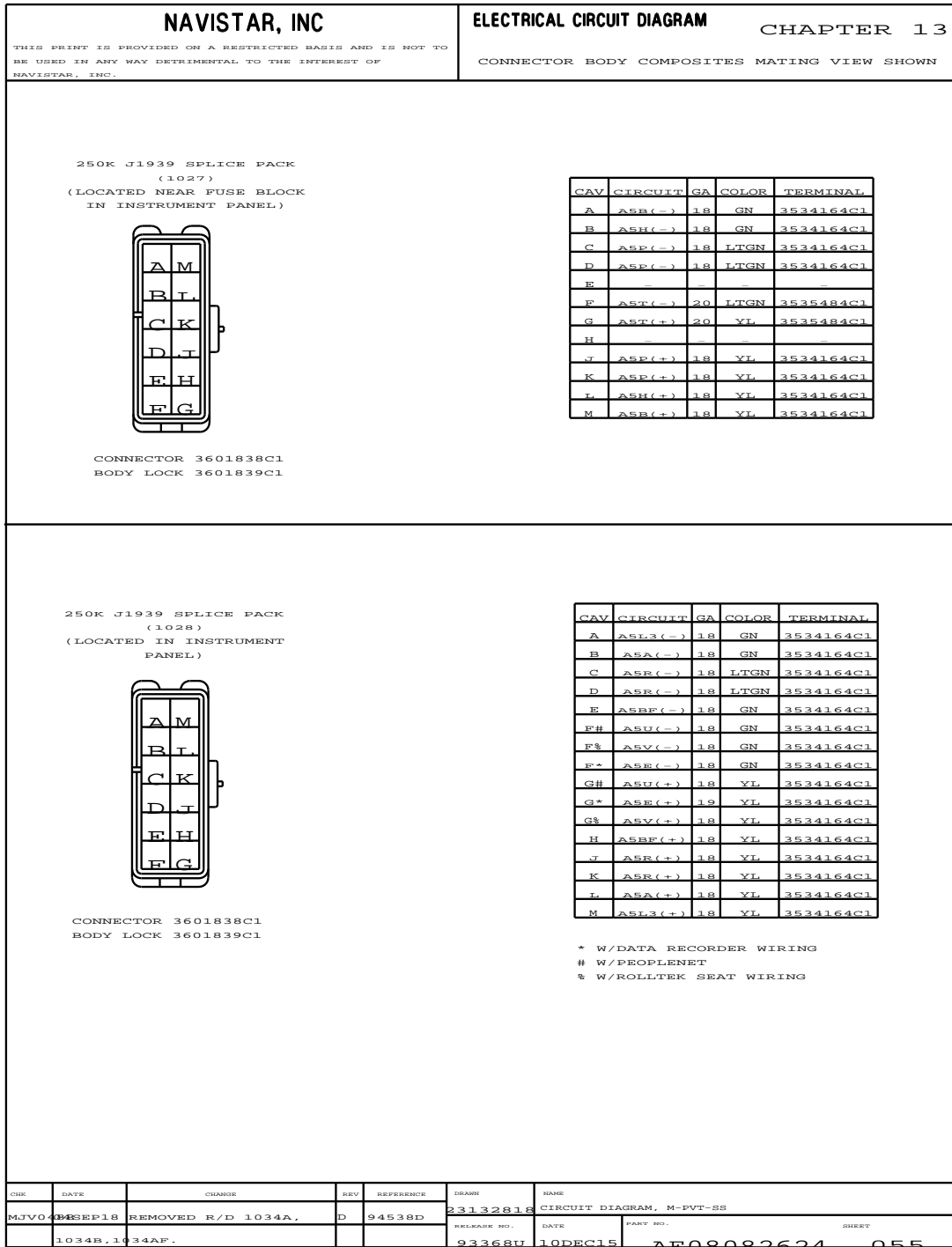


Figure 381 Connector Composites (1027 / 1028)

13.75. CONNECTOR COMPOSITES (1034A / 1034B / 1034AF), P. 55A

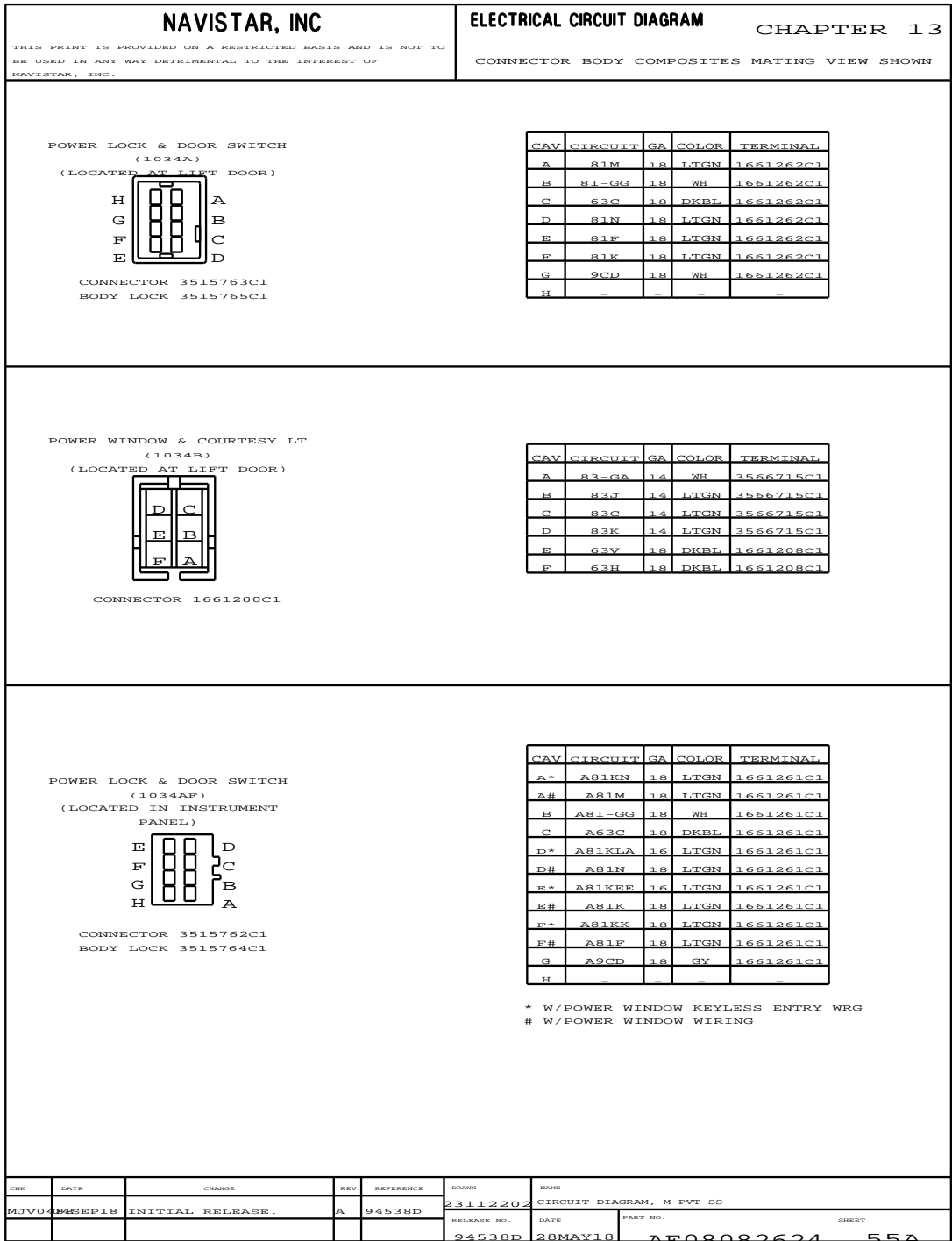


Figure 382 Connector Composites (1034A / 1034B / 1034AF)

13.76. CONNECTOR COMPOSITES (1034BF / 1039 / 1040 / 1042), P. 56

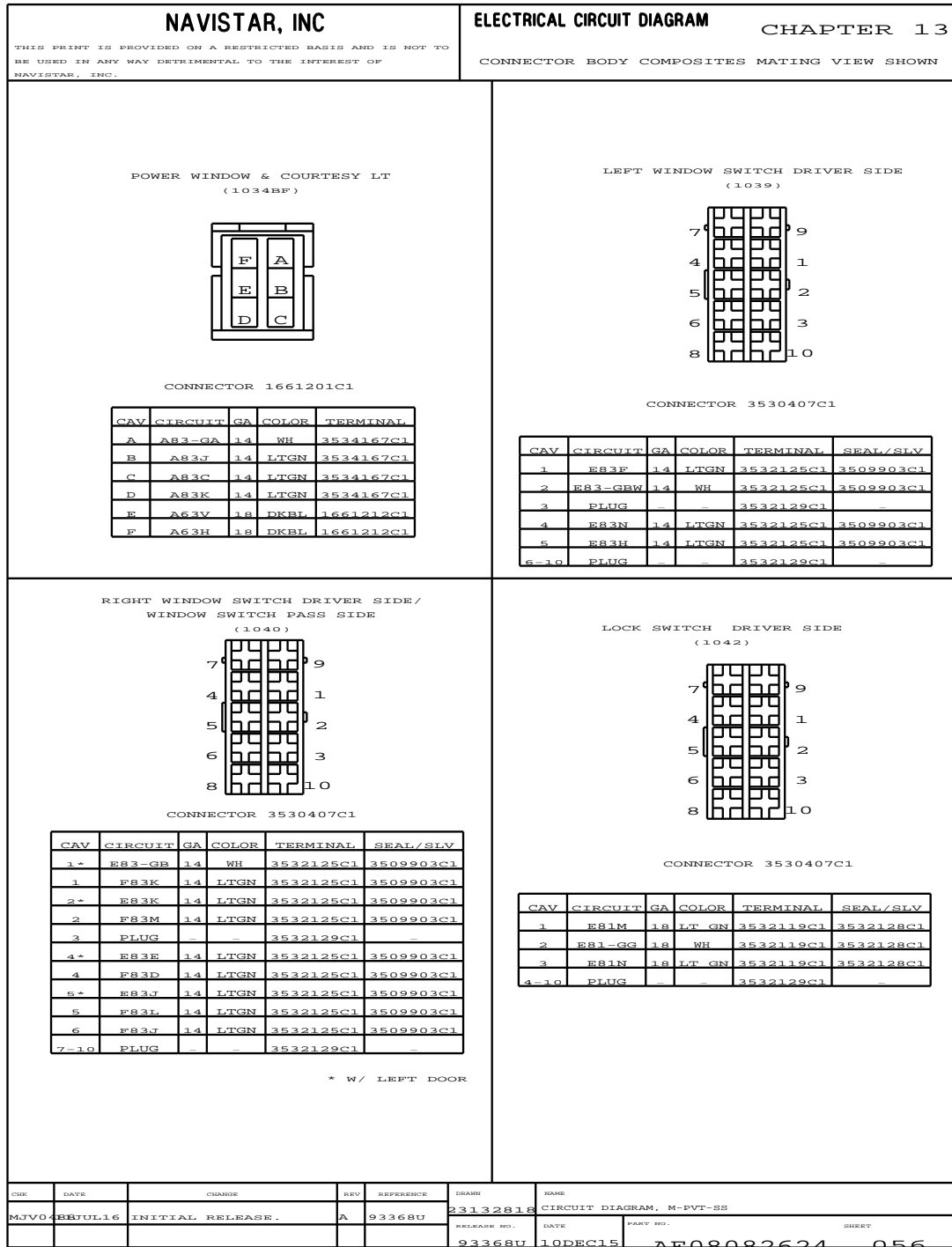


Figure 383 Connector Composites (1034BF / 1039 / 1040 / 1042)

13.77. CONNECTOR COMPOSITES (1043 / 1044 / 1045 / 1046 / 1047), P. 57

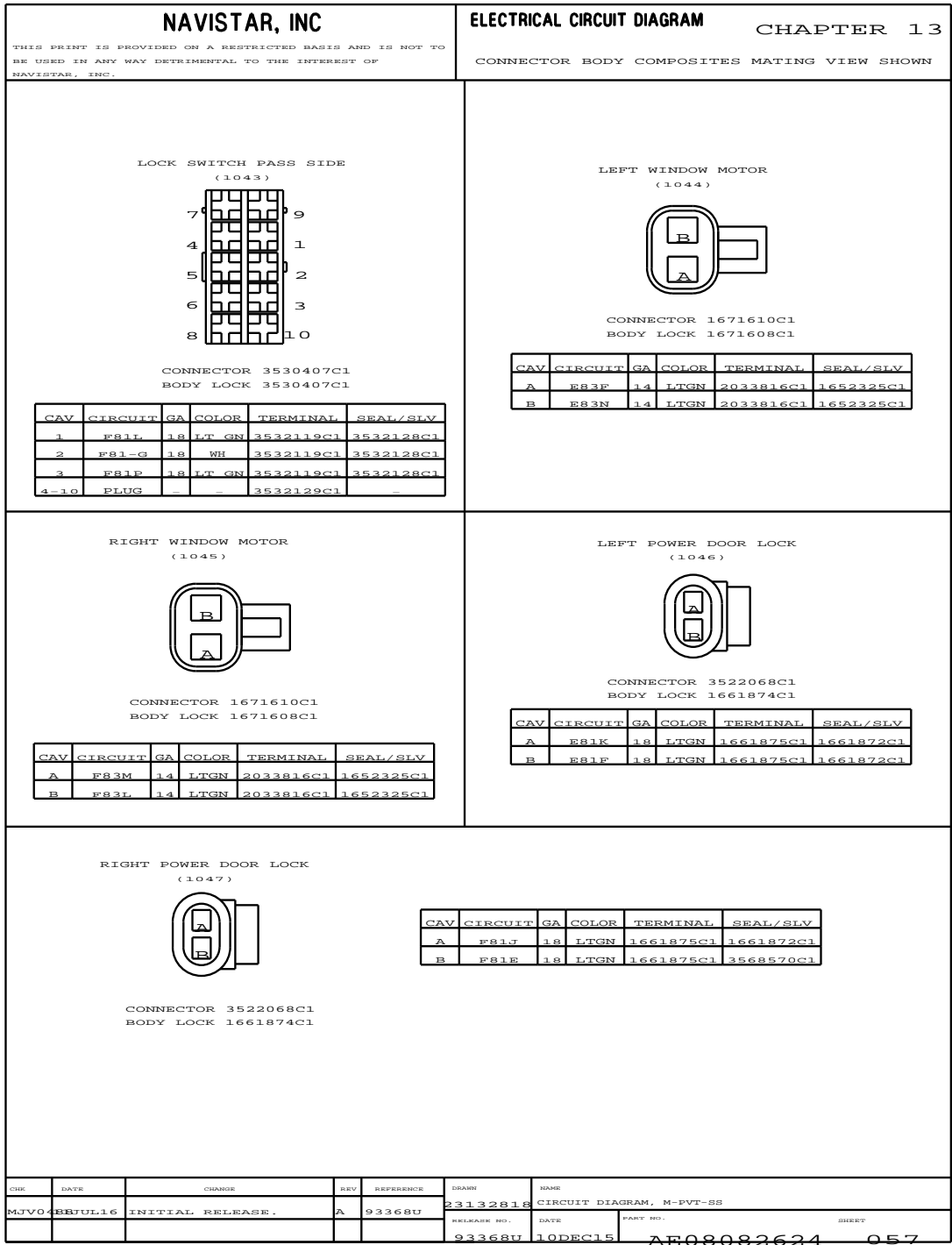


Figure 384 Connector Composites (1043 / 1044 / 1045 / 1046 / 1047)

13.78. CONNECTOR COMPOSITES (1049A / 1049B / 1049AF / 1049BF), P. 58

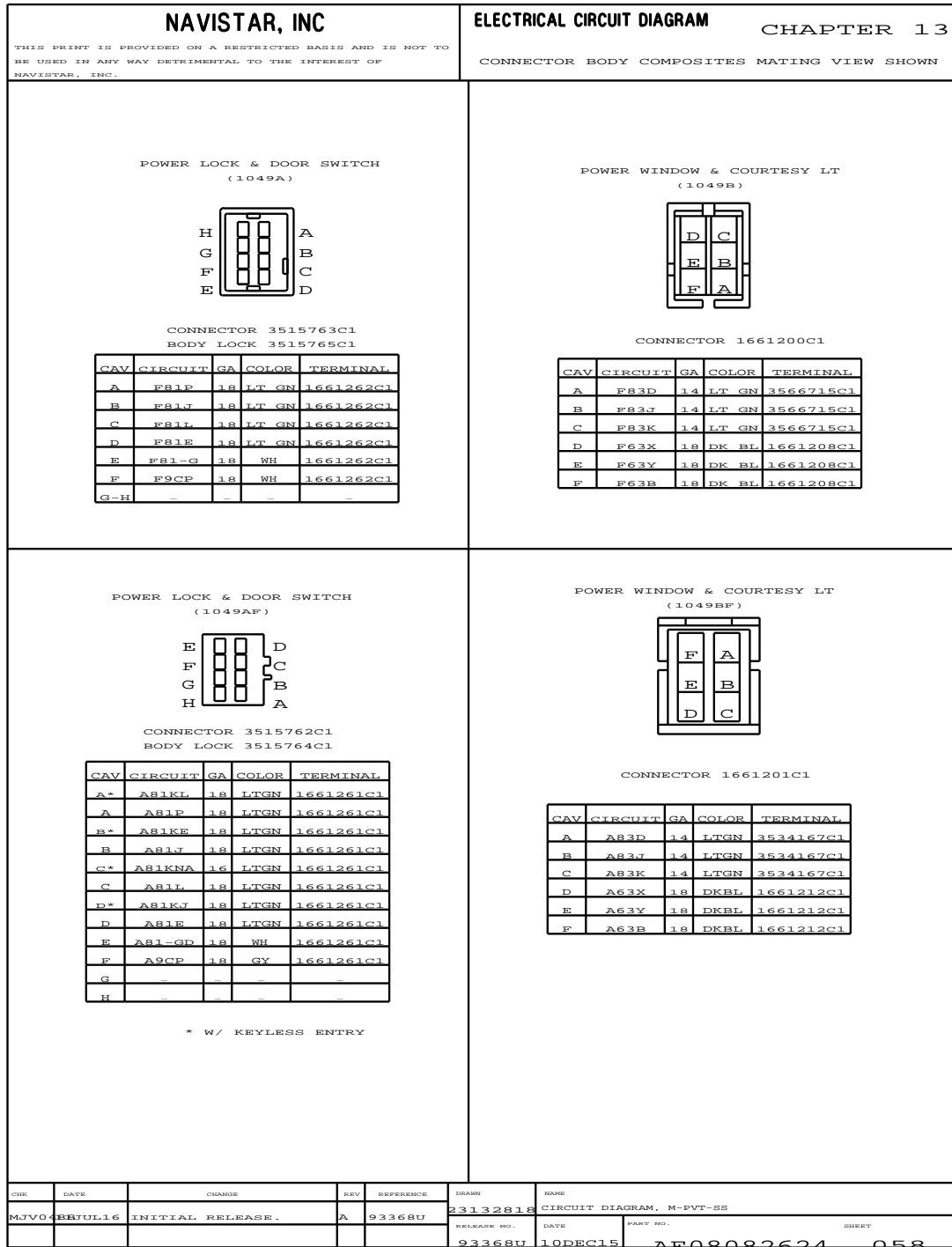


Figure 385 Connector Composites (1049A / 1049B / 1049AF / 1049BF)

13.79. CONNECTOR COMPOSITES (1051F / 1054F / 1054FP / 1056M), P. 59

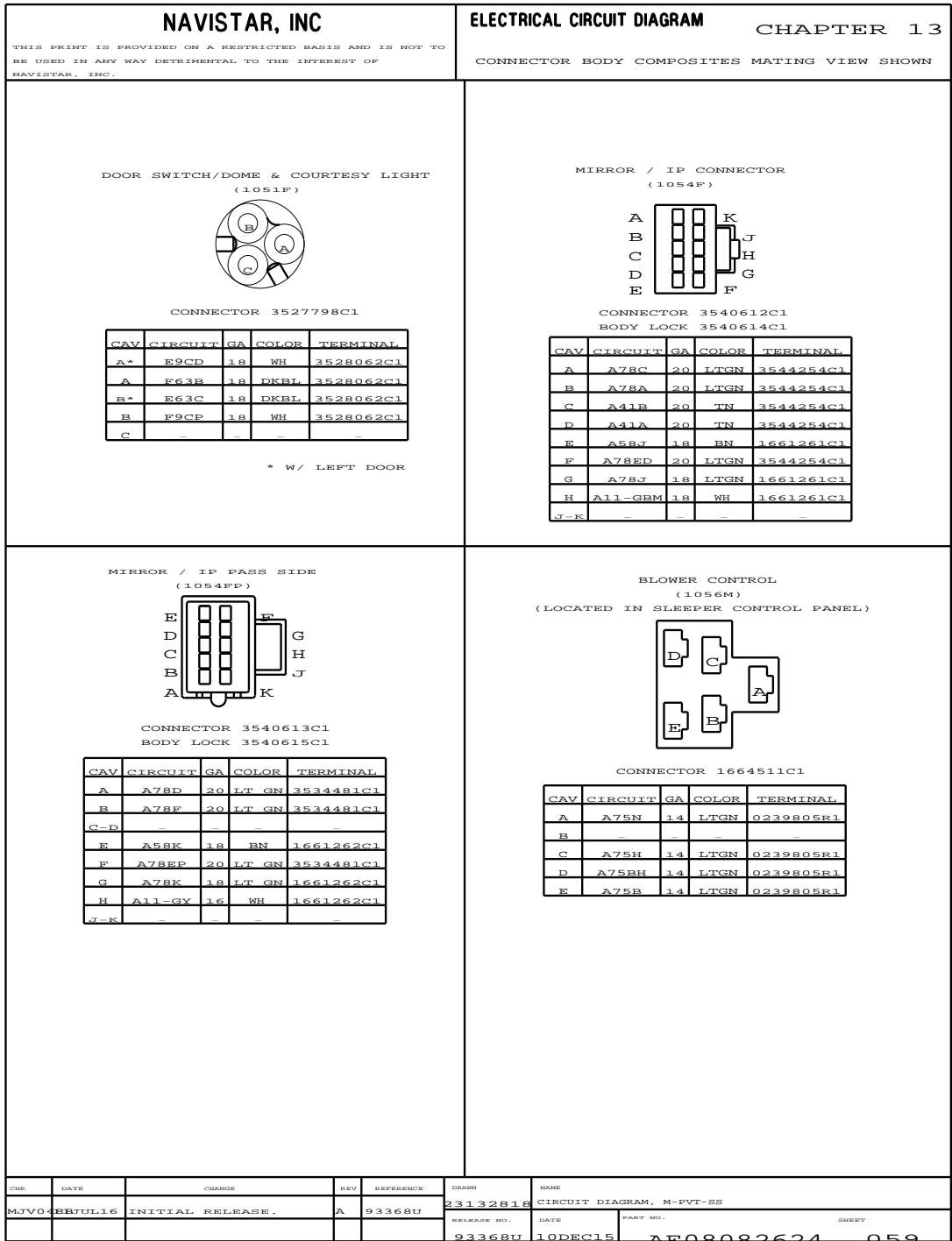


Figure 386 Connector Composites (1051F / 1054F / 1054FP / 1056M)

13.80. CONNECTOR COMPOSITES (1057 / 1058M / 1059M / 1060M), P. 60

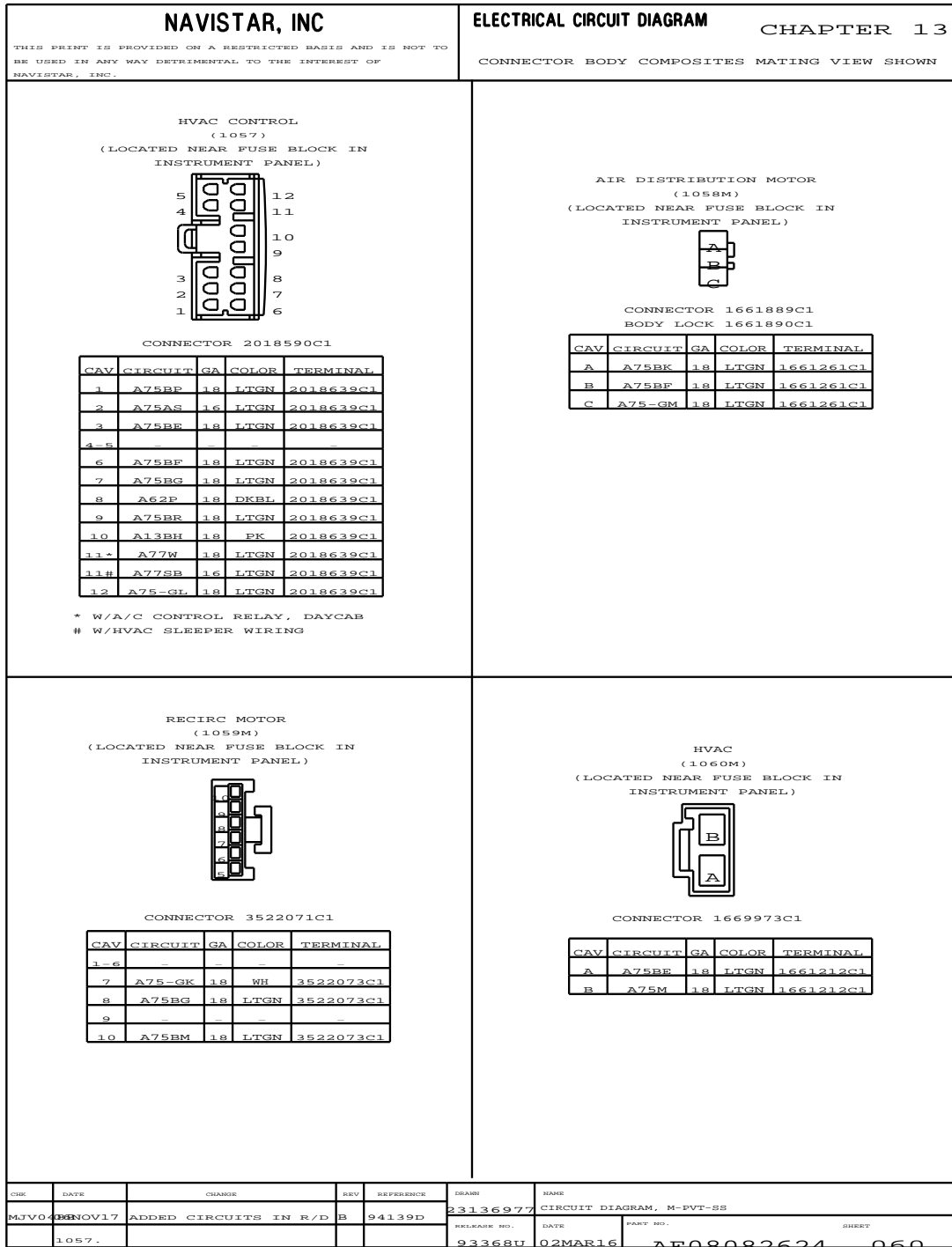


Figure 387 Connector Composites (1057 / 1058M / 1059M / 1060M)

13.81. CONNECTOR COMPOSITES (1090F / 1090M / 1095F / 1108 / 1109M), P. 61

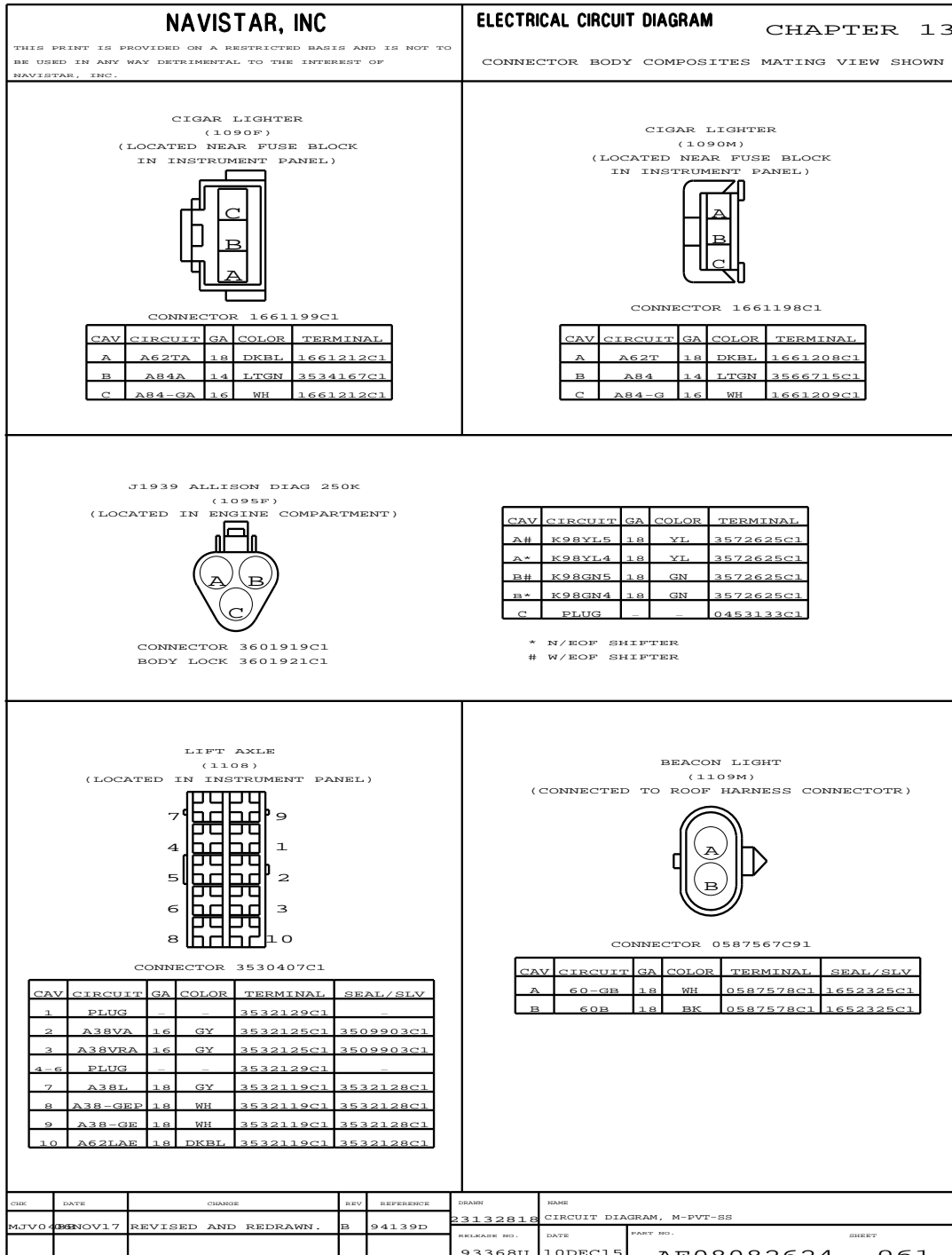


Figure 388 Connector Composites (1090F / 1090M / 1095F / 1108 / 1109M)

13.82. CONNECTOR COMPOSITES (1125 / 1126 / 1128M / 1129M / 1130M), P. 62

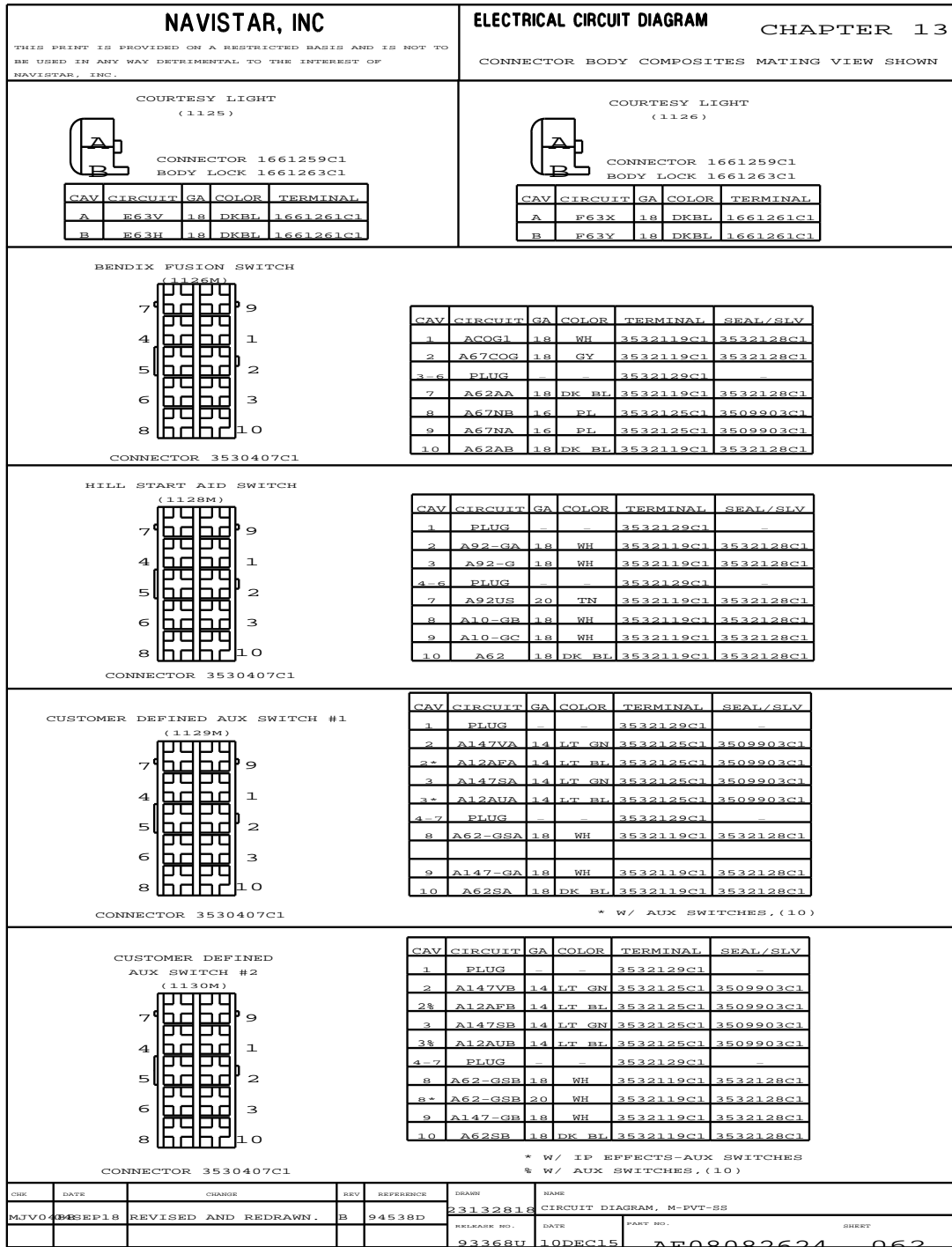


Figure 389 Connector Composites (1125 / 1126 / 1128M / 1129M / 1130M)

13.83. CONNECTOR COMPOSITES (1131M / 1132M / 1133M / 1134M), P. 63

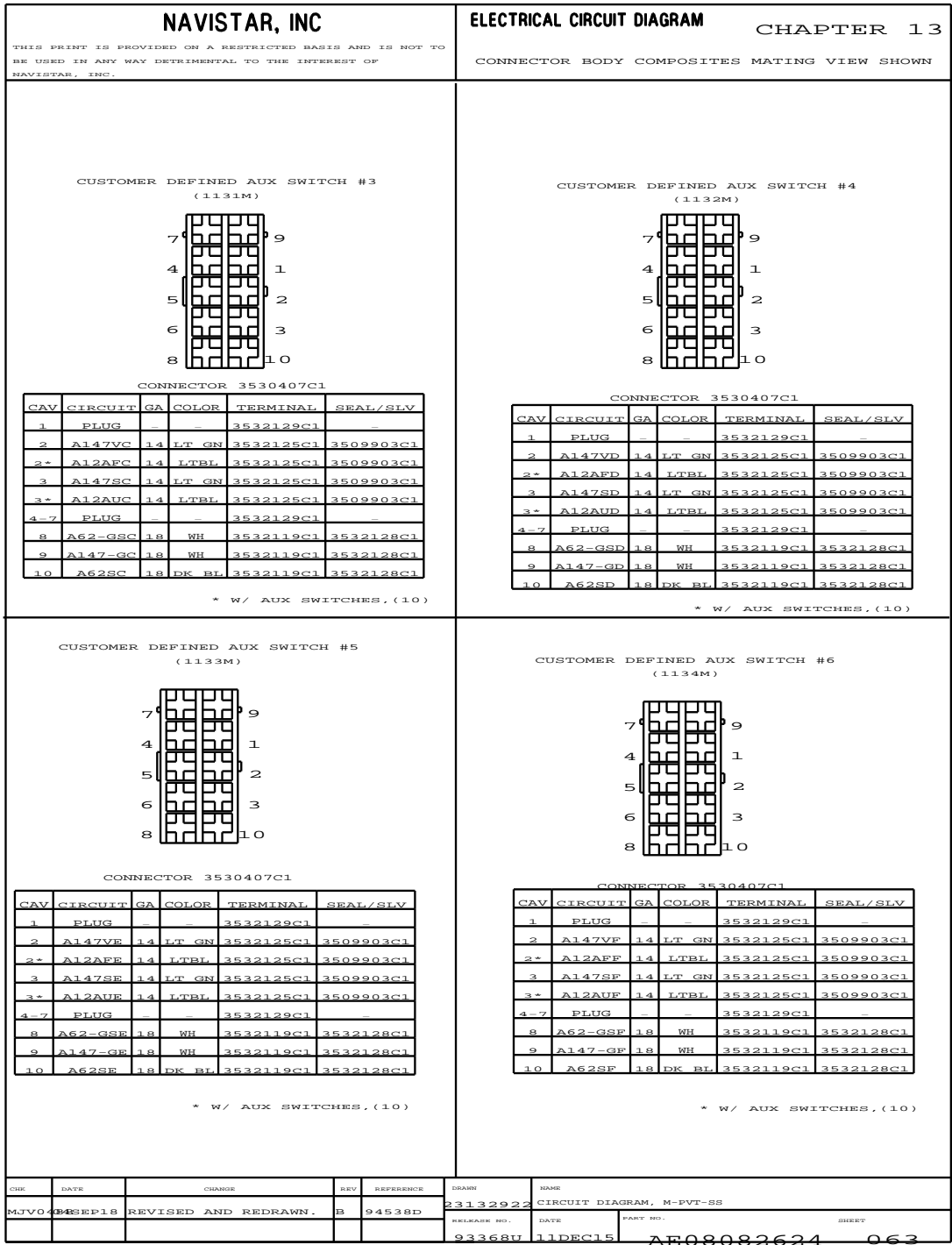


Figure 390 Connector Composites (1131M / 1132M / 1133M / 1134M)

13.84. CONNECTOR COMPOSITES (1135 / 1135M / 1136M / 1137M / 1138M), P. 64

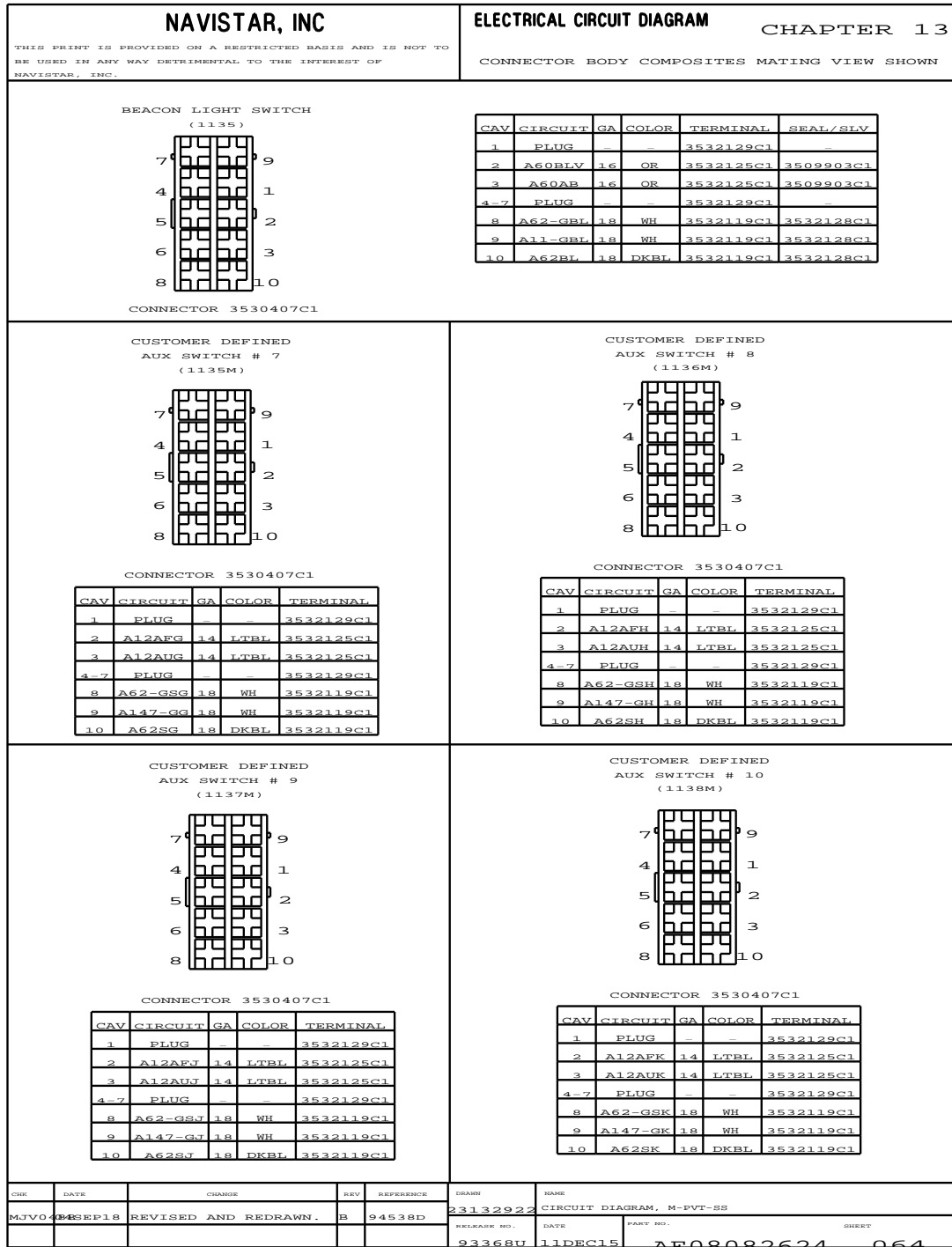


Figure 391 Connector Composites (1135 / 1135M / 1136M / 1137M / 1138M)

13.85. CONNECTOR COMPOSITES (1140 / 1244F / 1245M / 1246F / 1247M), P. 64A

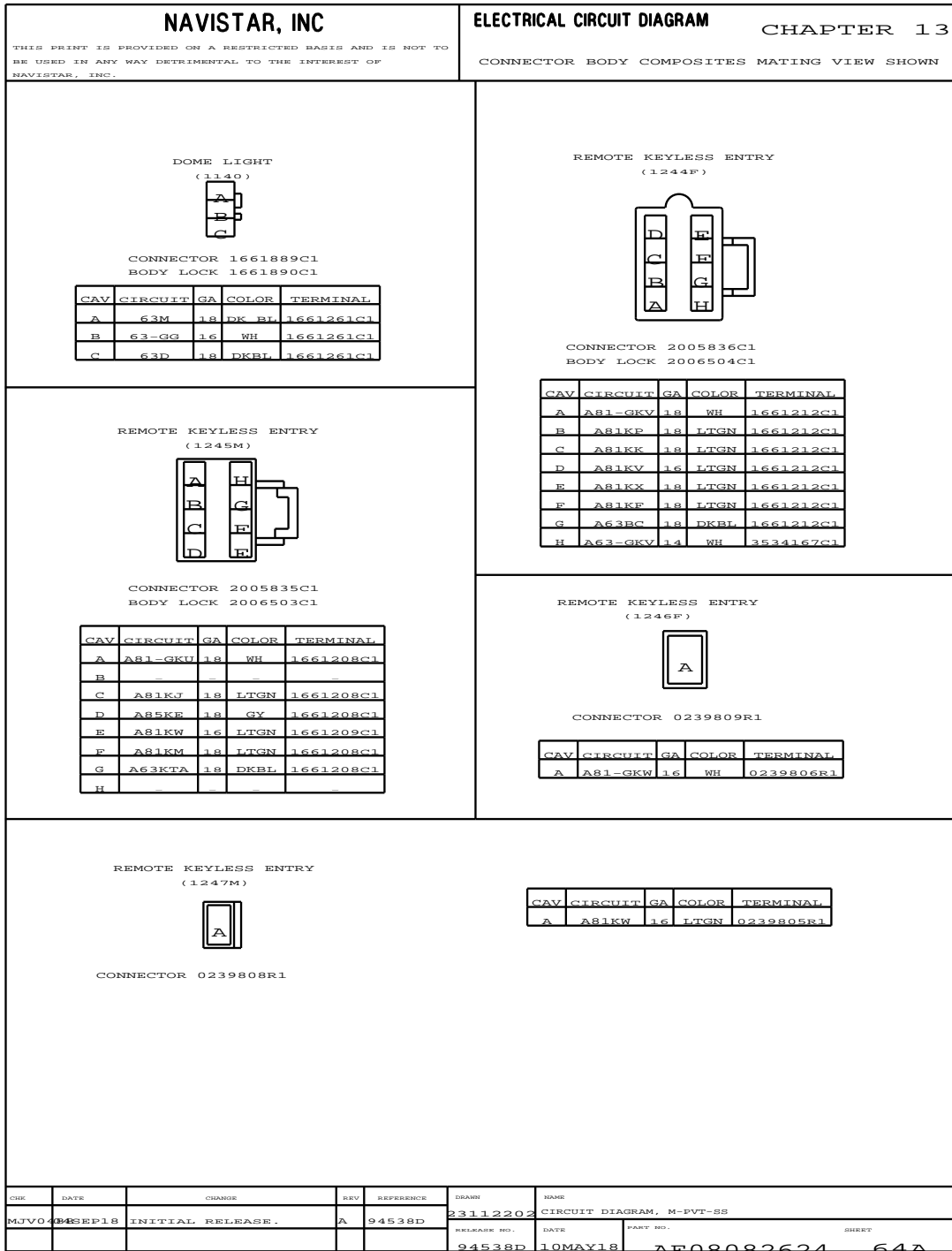


Figure 392 Connector Composites (1140 / 1244F / 1245M / 1246F / 1247M)

13.86. CONNECTOR COMPOSITES (1286 / 1287 / 1288 / 1304 / 1305 / 1306 / 1322A), P. 65

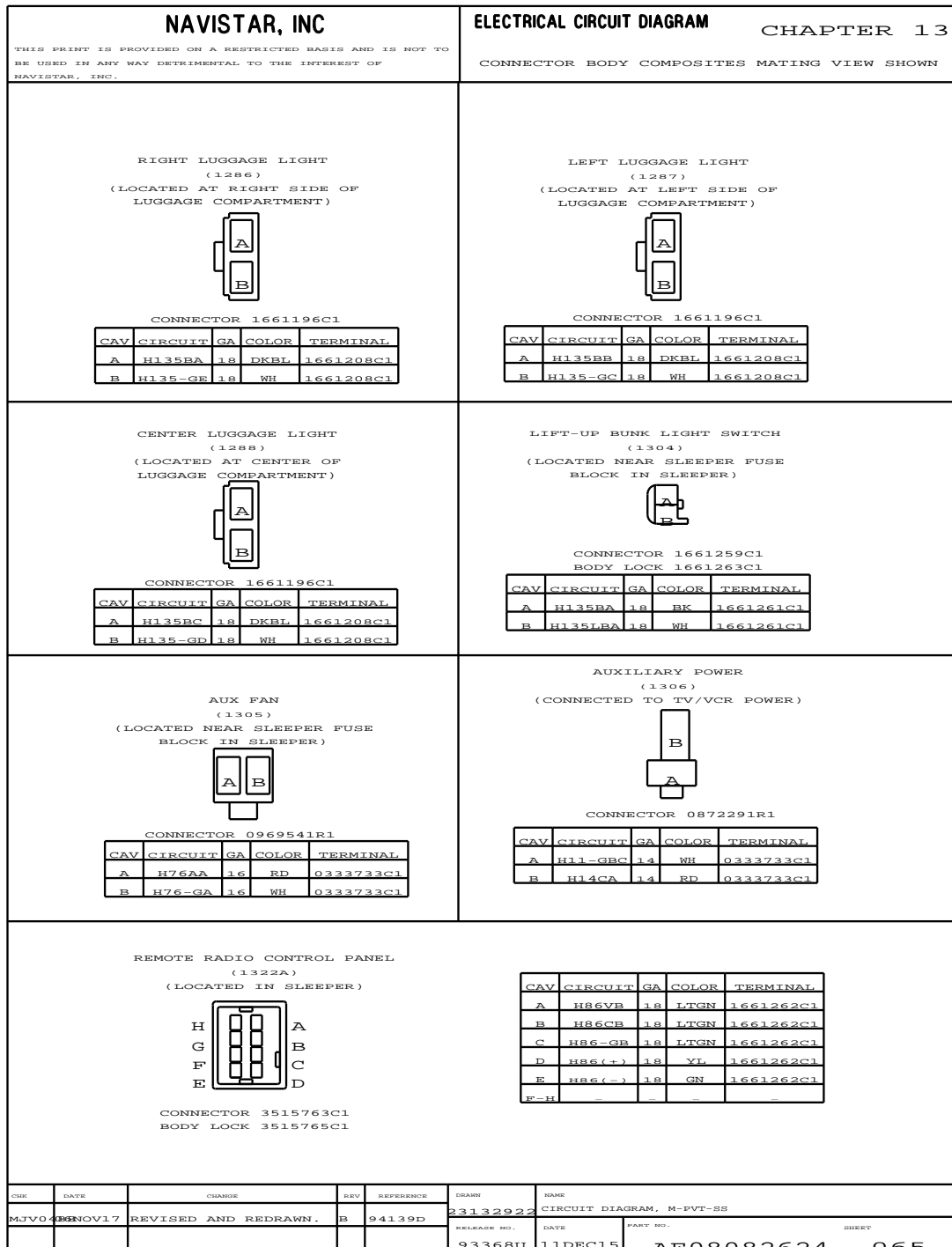


Figure 393 Connector Composites (1286 / 1287 / 1288 / 1304 / 1305 / 1306 / 1322A)

13.87. CONNECTOR COMPOSITES (1322F / 1322M / 1348 / 1349), P. 65A

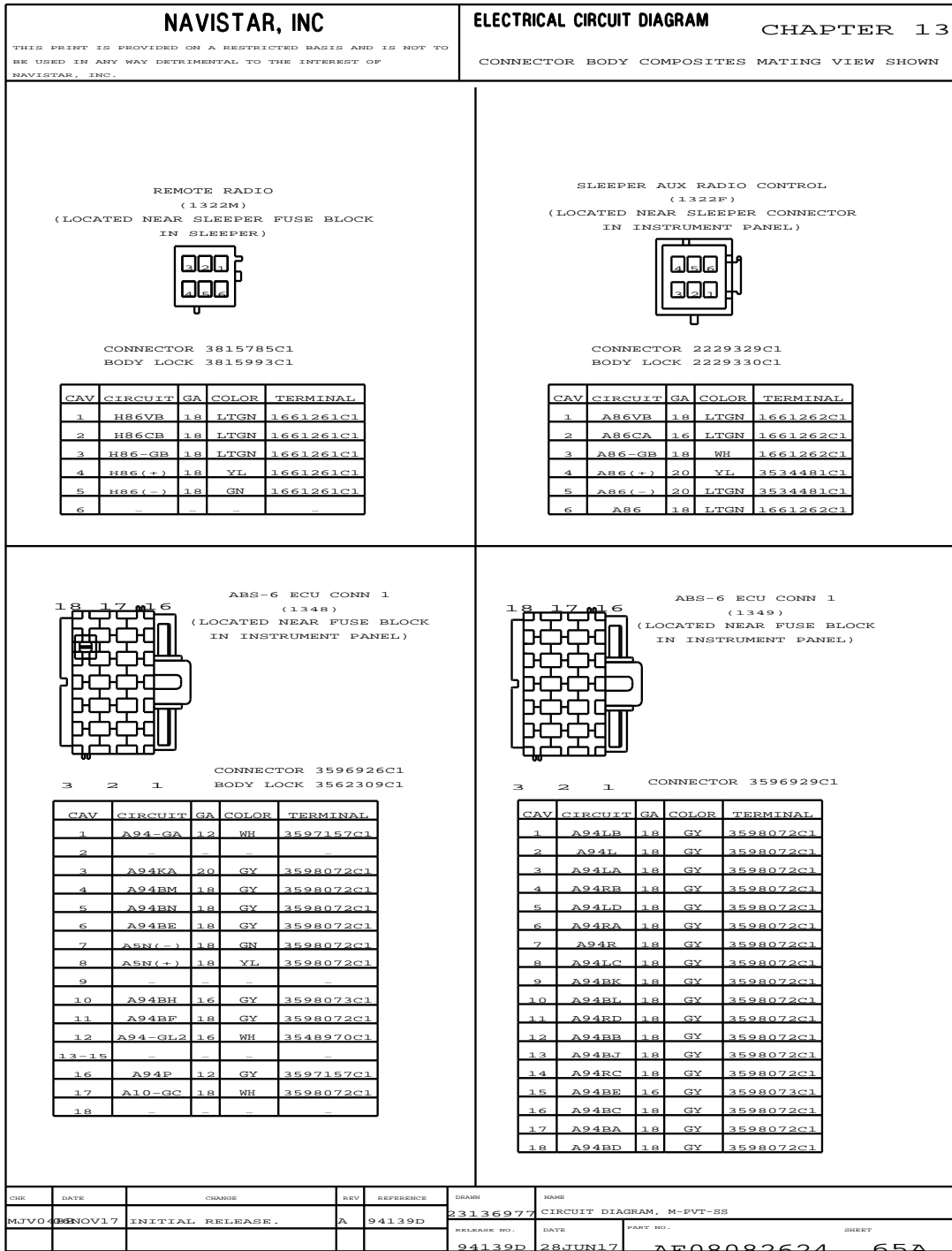


Figure 394 Connector Composites (1322F / 1322M / 1348 / 1349)

13.88. CONNECTOR COMPOSITES (1350 / 1360 / 1361 / 1365), P. 66

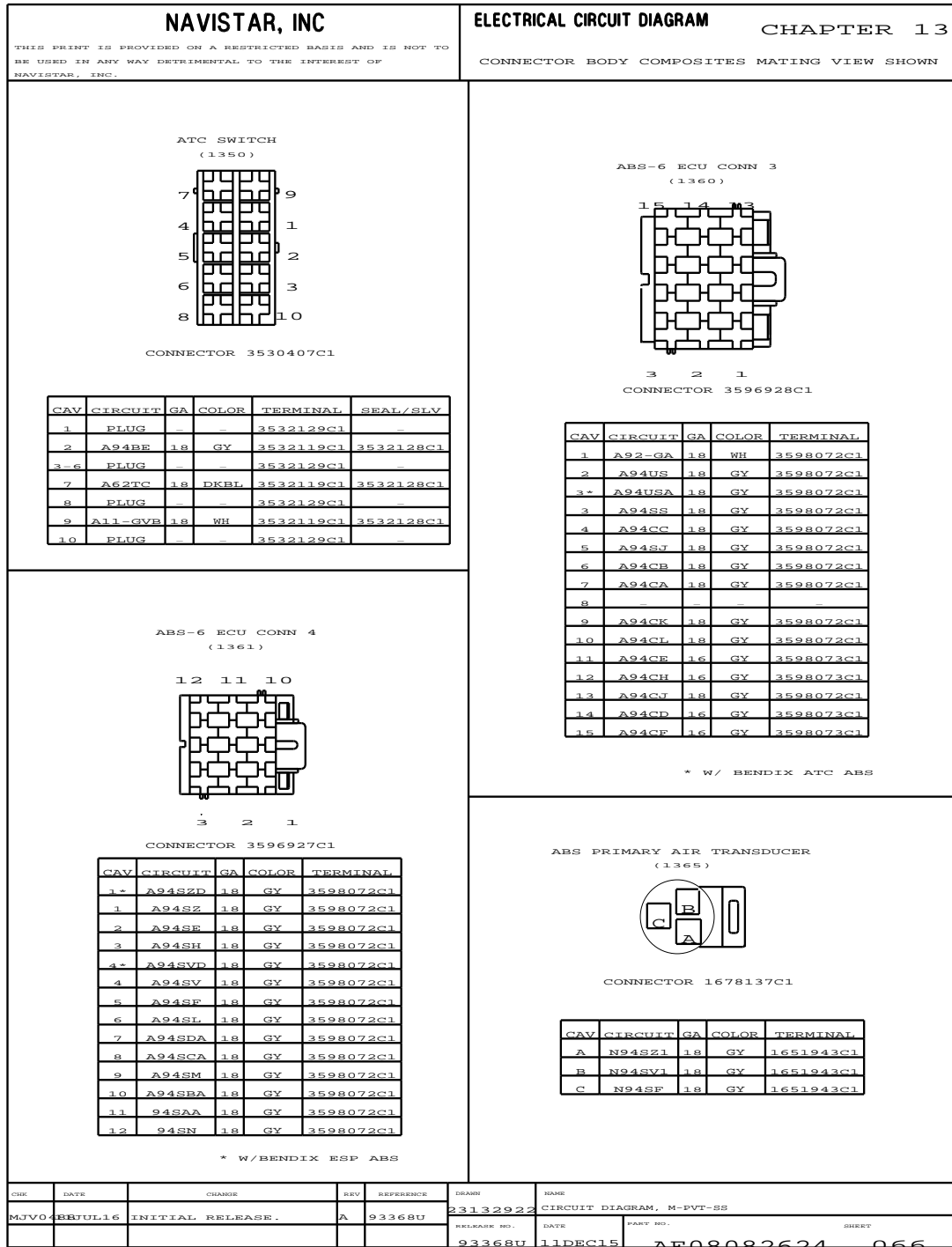


Figure 395 Connector Composites (1350 / 1360 / 1361 / 1365)

13.89. CONNECTOR COMPOSITES (1366 / 1368F / 1369), P. 67

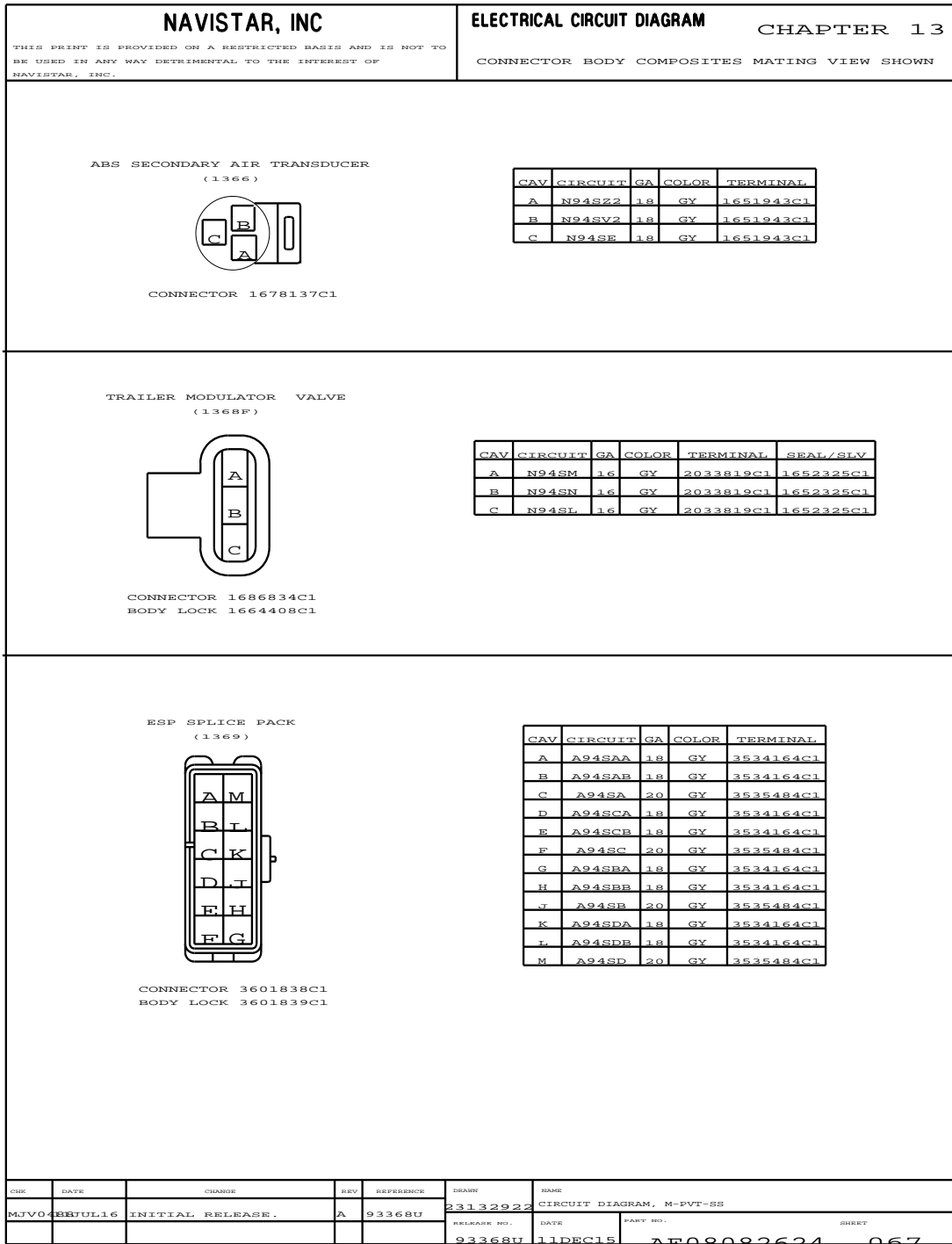


Figure 396 Connector Composites (1366 / 1368F / 1369)

13.90. CONNECTOR COMPOSITES (1378 / 1386 / 1402 / 1403), P. 68

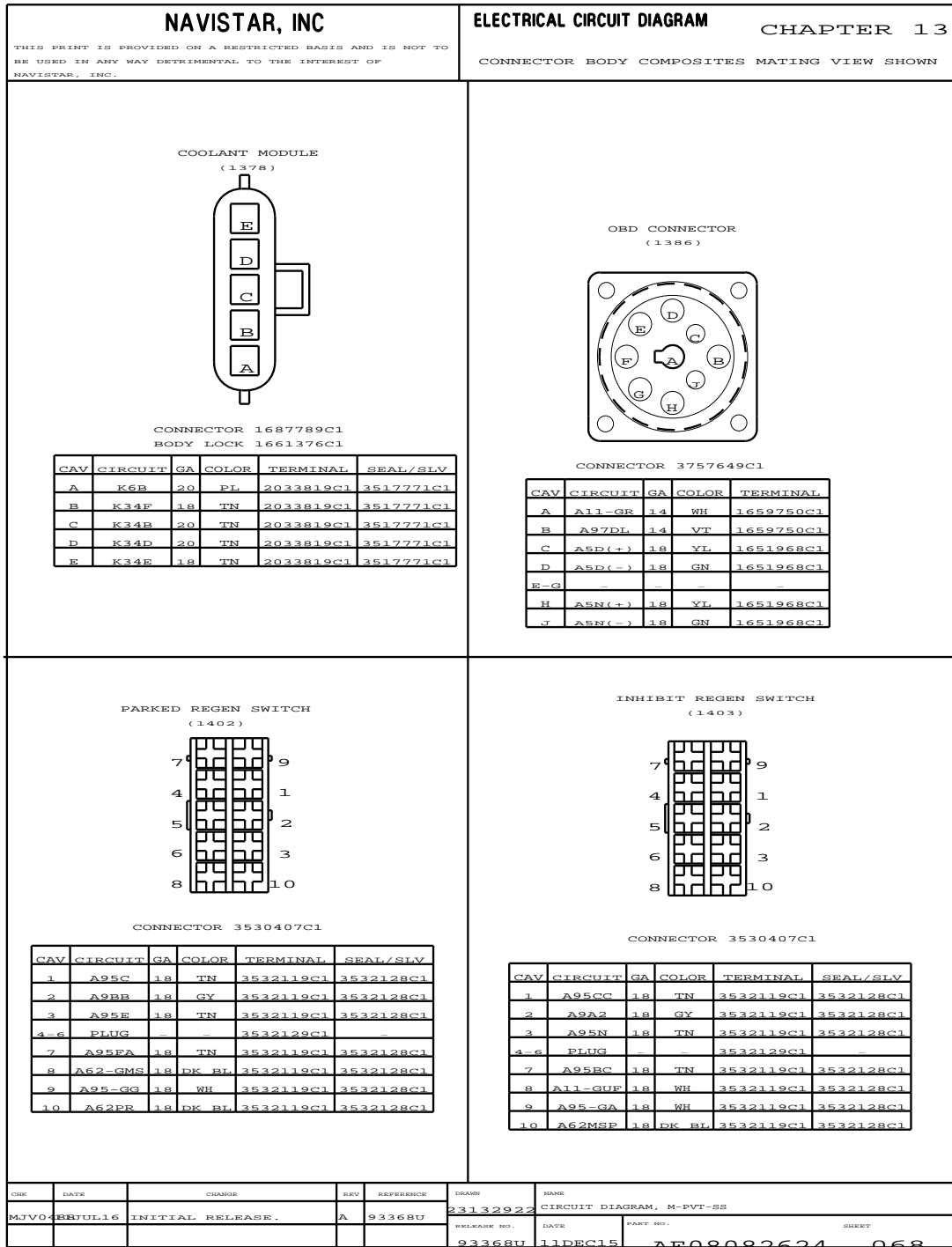


Figure 397 Connector Composites (1378 / 1386 / 1402 / 1403)

13.91. CONNECTOR COMPOSITES (1404M / 1408M / 1414 / 1414P), P. 69

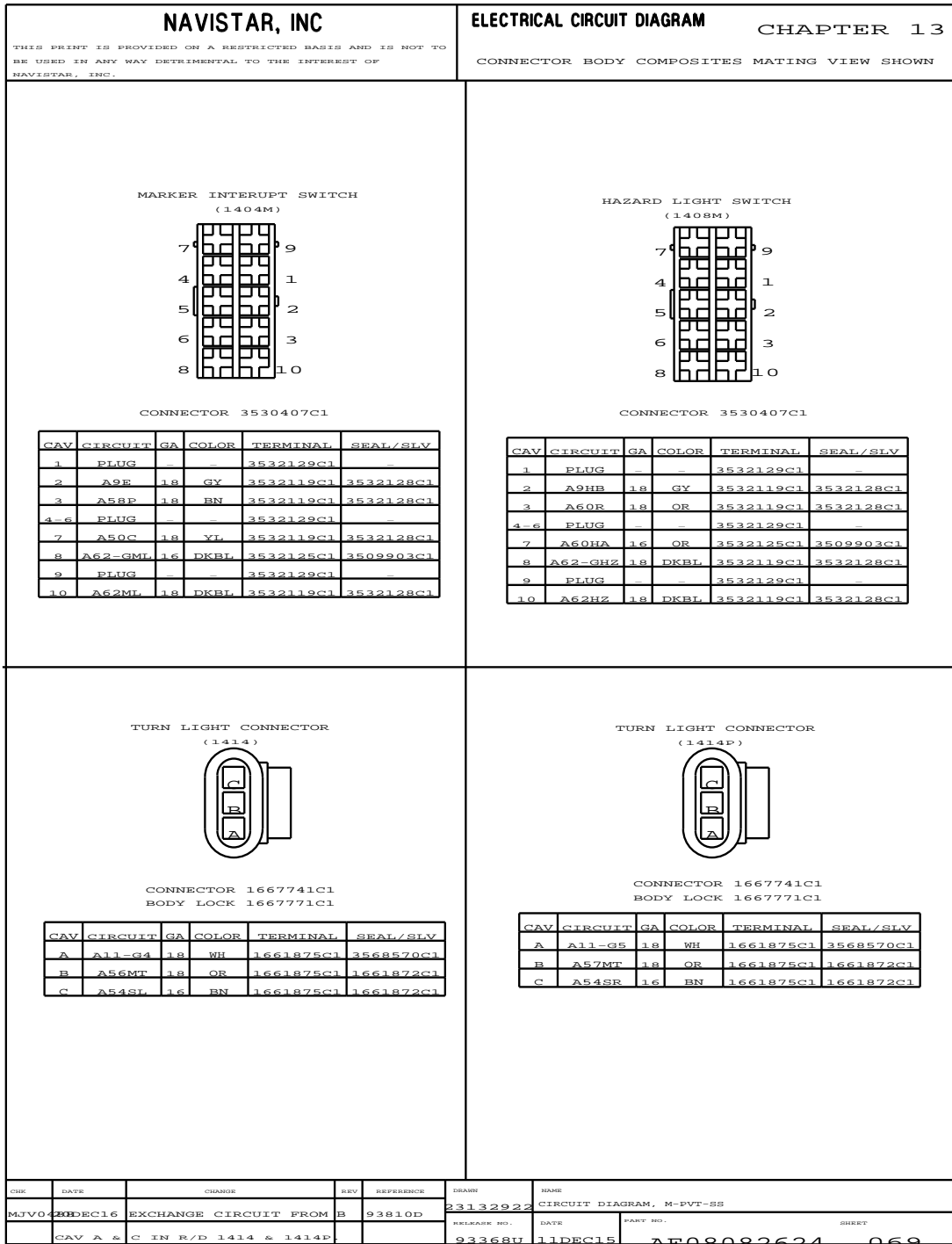


Figure 398 Connector Composites (1404M / 1408M / 1414 / 1414P)

13.92. CONNECTOR COMPOSITES (1450 / 1451 / 1600 / 1601), P. 70

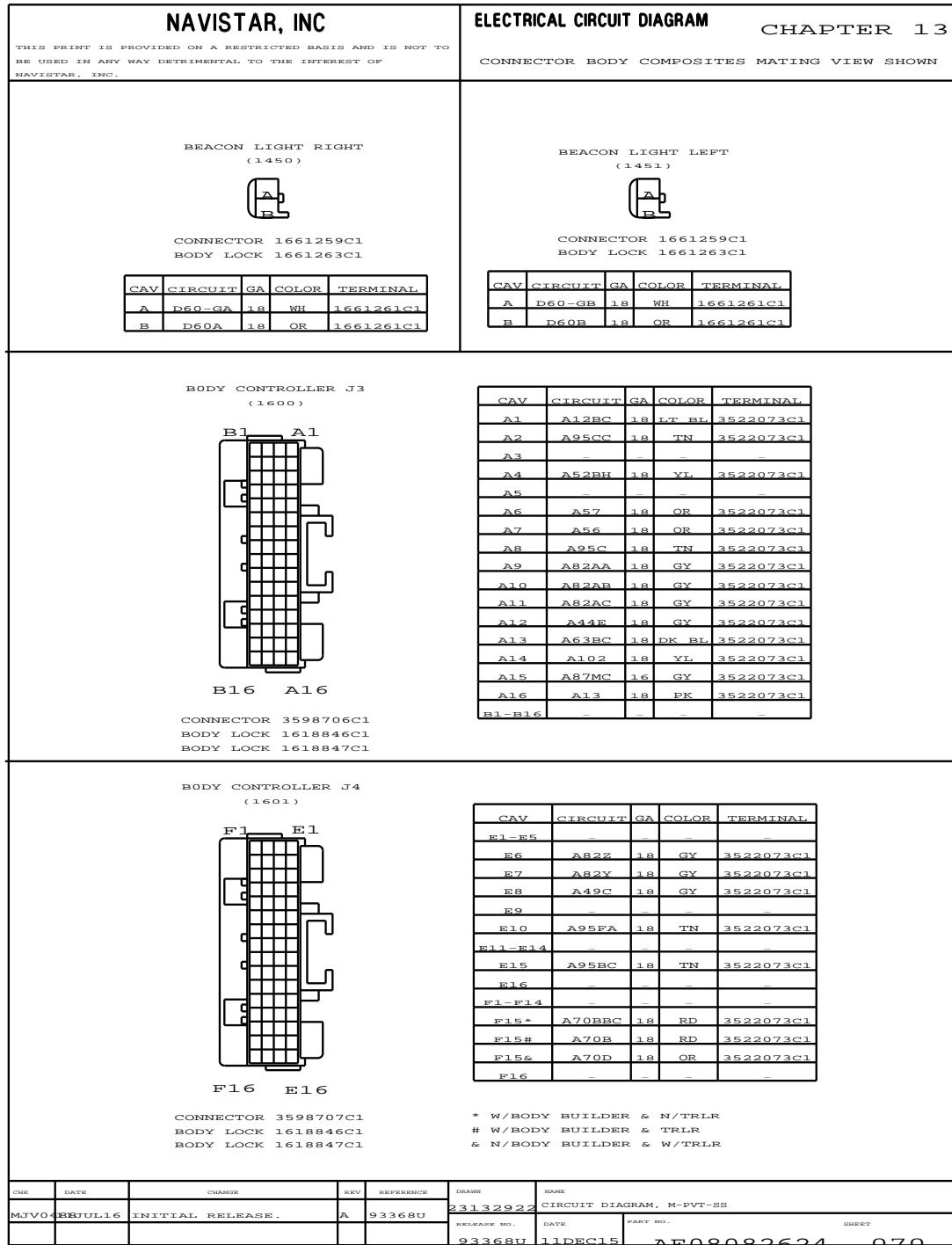


Figure 399 Connector Composites (1450 / 1451 / 1600 / 1601)

13.93. CONNECTOR COMPOSITES (1602 / 1603), P. 71

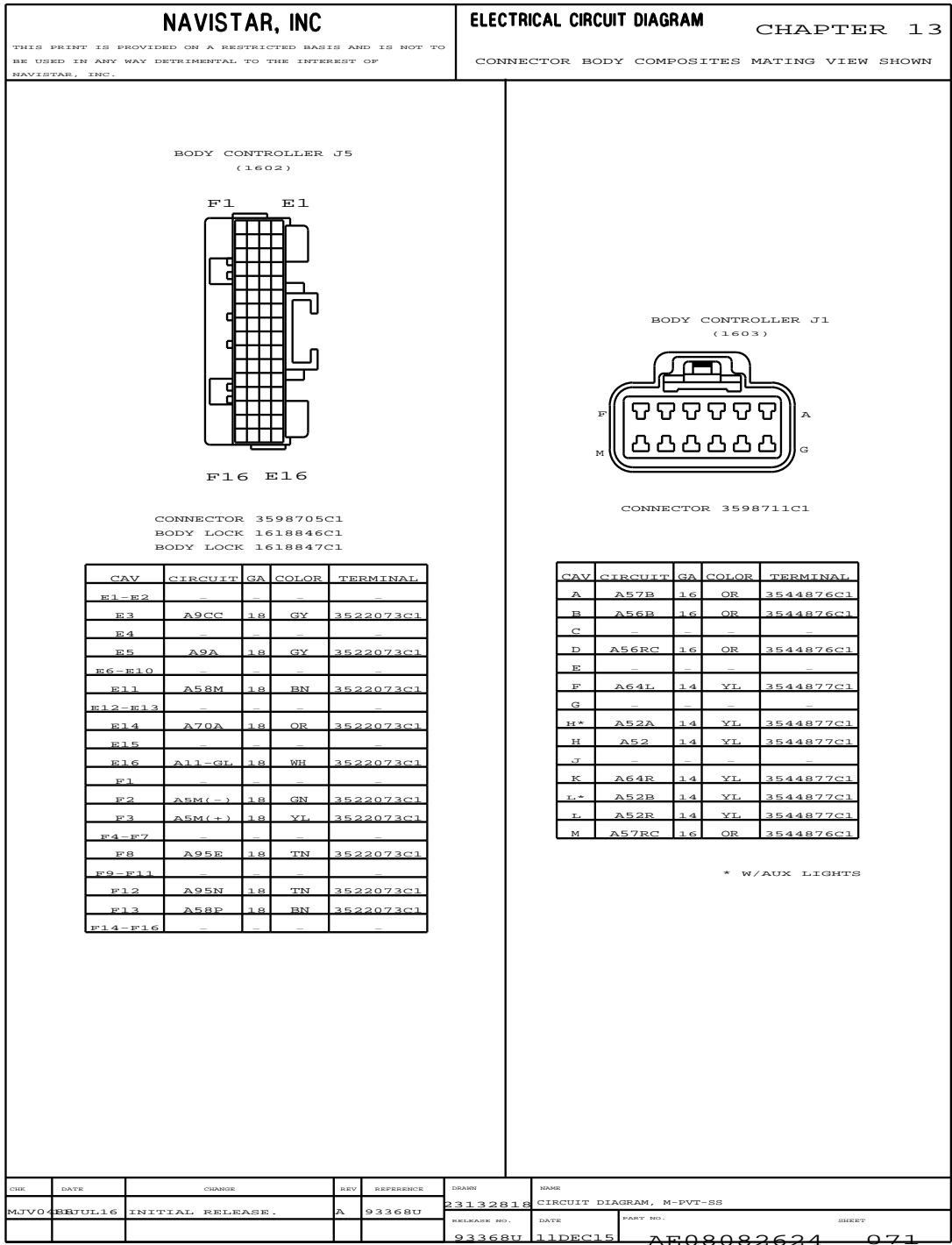


Figure 400 Connector Composites (1602 / 1603)

13.94. CONNECTOR COMPOSITES (1604 / 1605 / 1606), P. 72

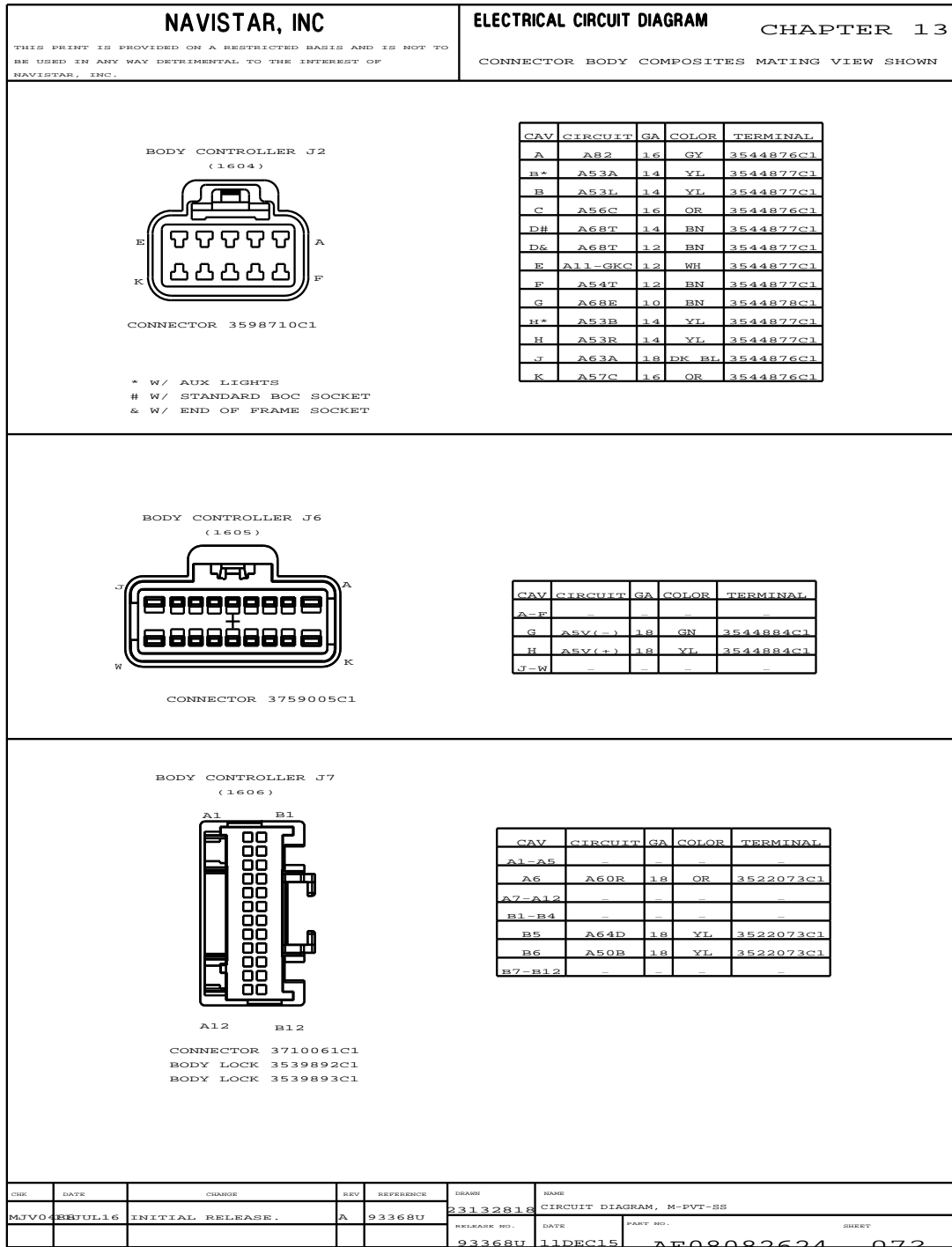


Figure 401 Connector Composites (1604 / 1605 / 1606)

13.95. CONNECTOR COMPOSITES (1701), P. 73

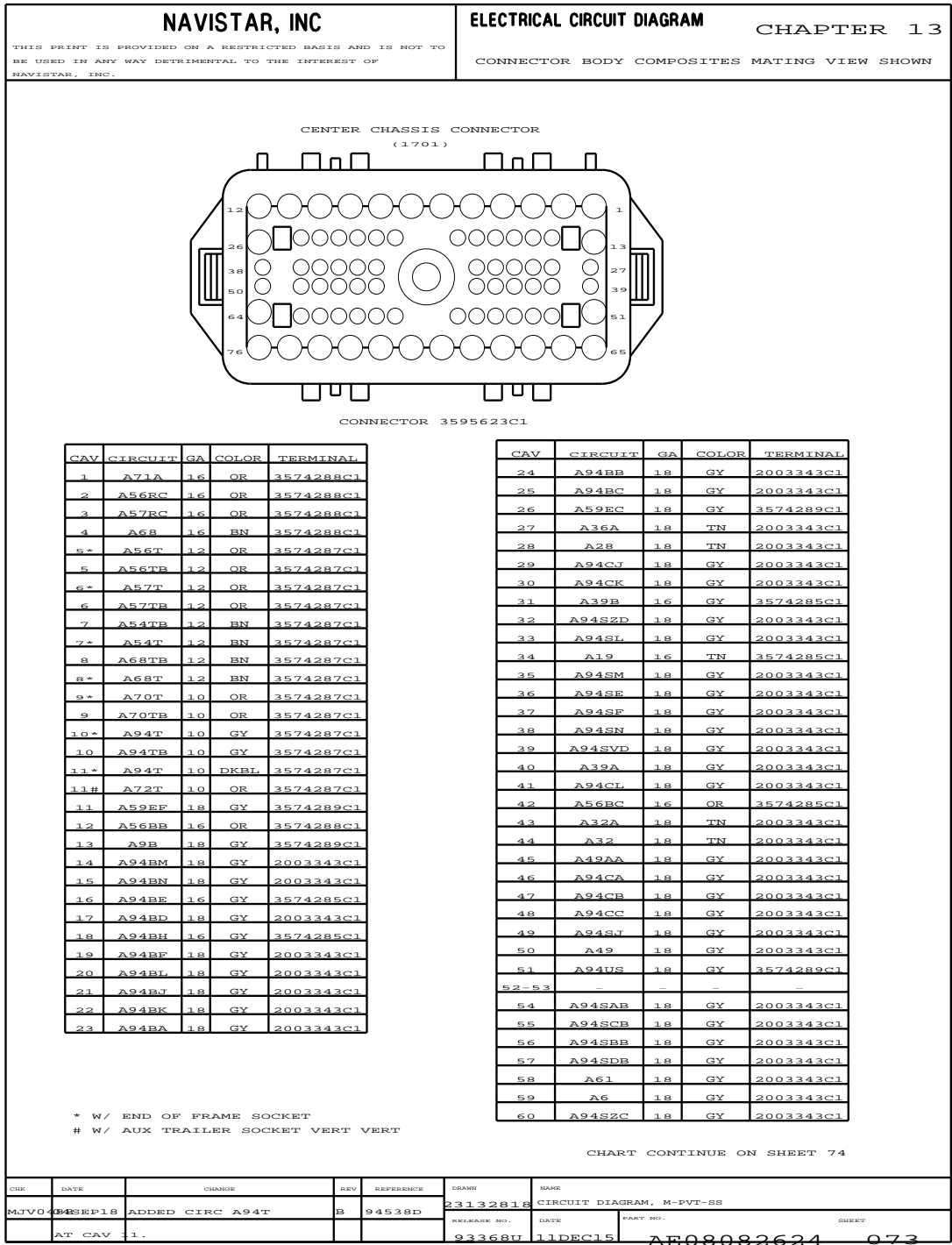


Figure 402 Connector Composites (1701)

13.96. CONNECTOR COMPOSITES (1701F), P. 74

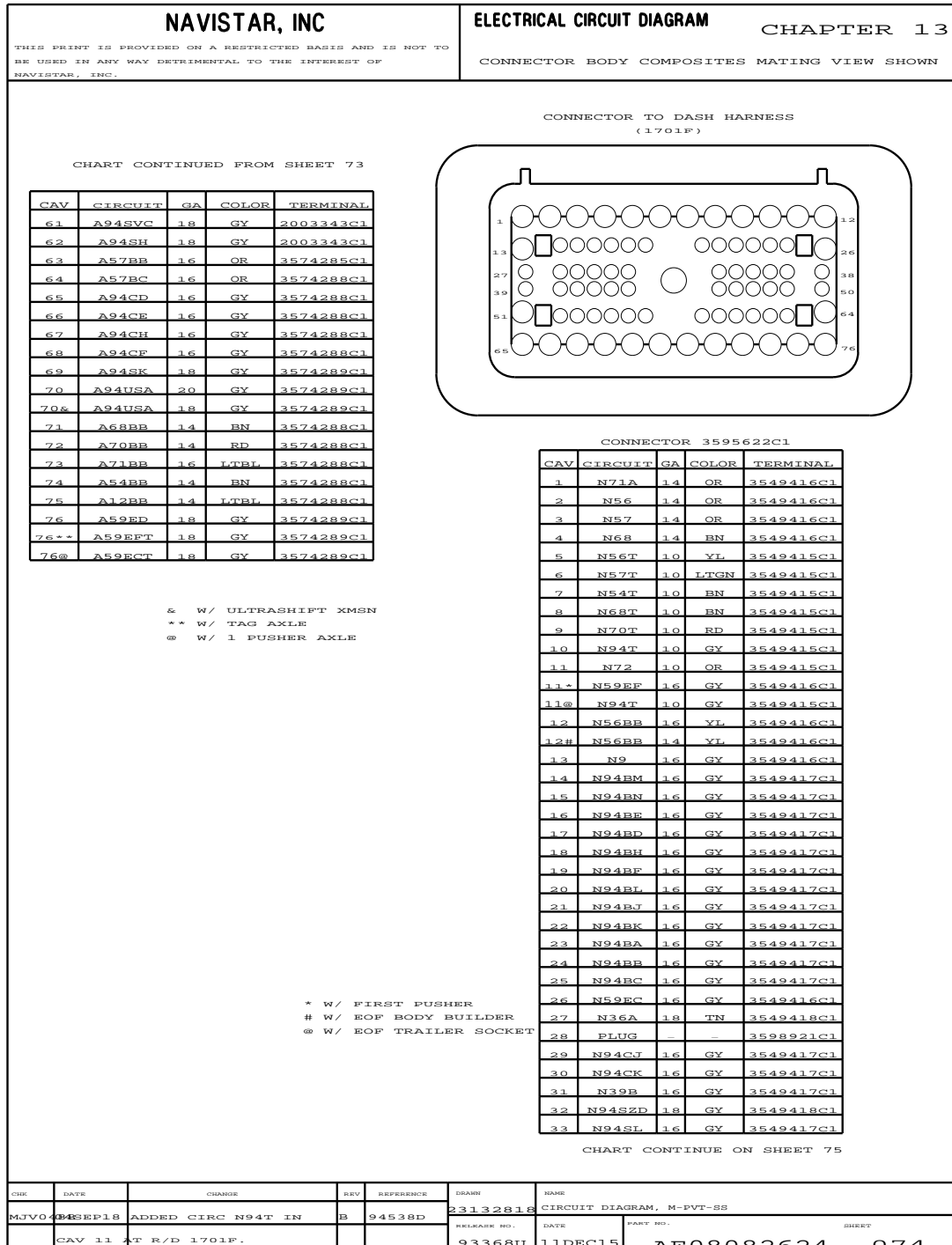


Figure 403 Connector Composites (1701F)

13.97. CONNECTOR COMPOSITES (1805 / 1811), P. 75

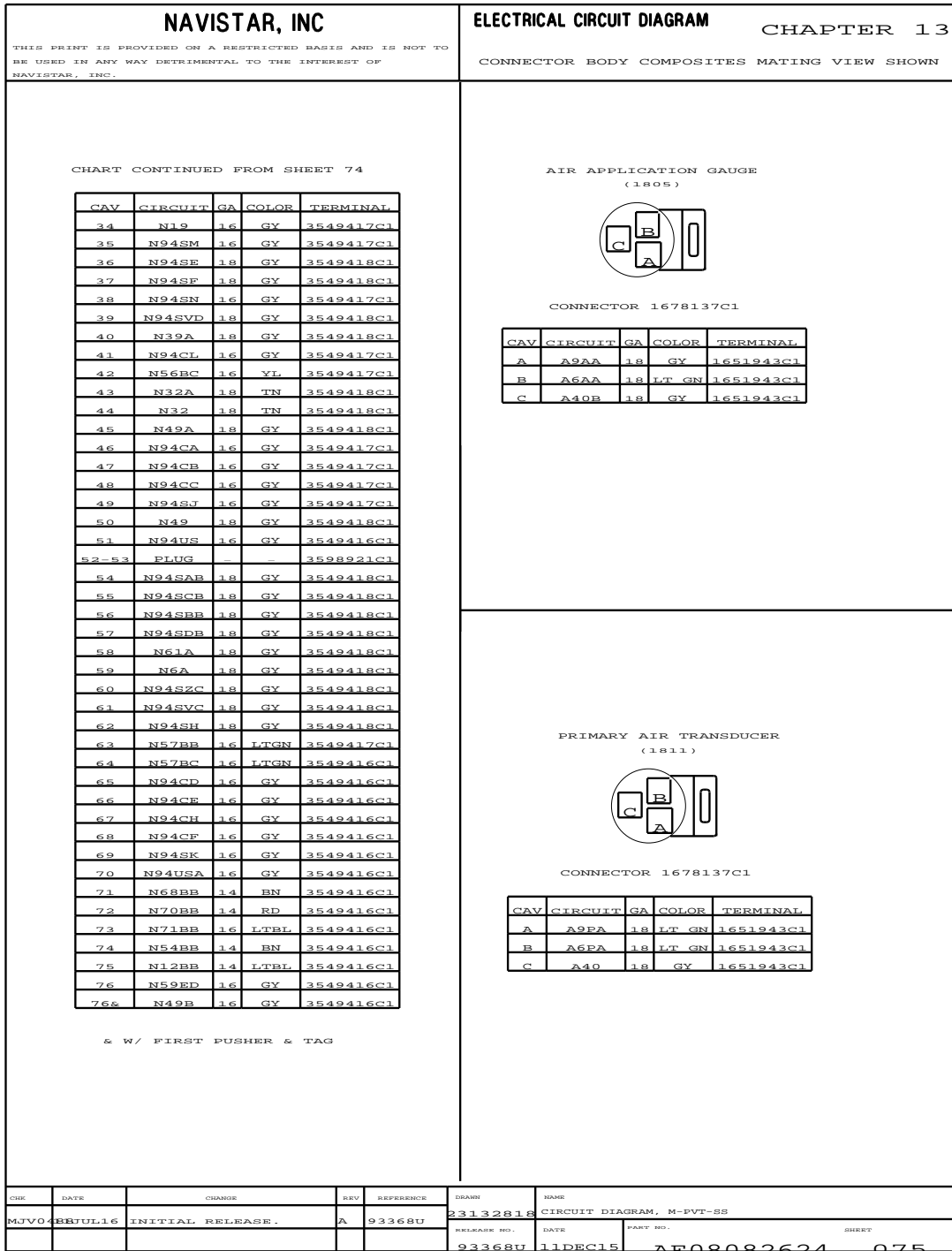


Figure 404 Connector Composites (1805 / 1811)

13.98. CONNECTOR COMPOSITES (1812 / 1813 / 1814 / 1815 / 1874A), P. 76

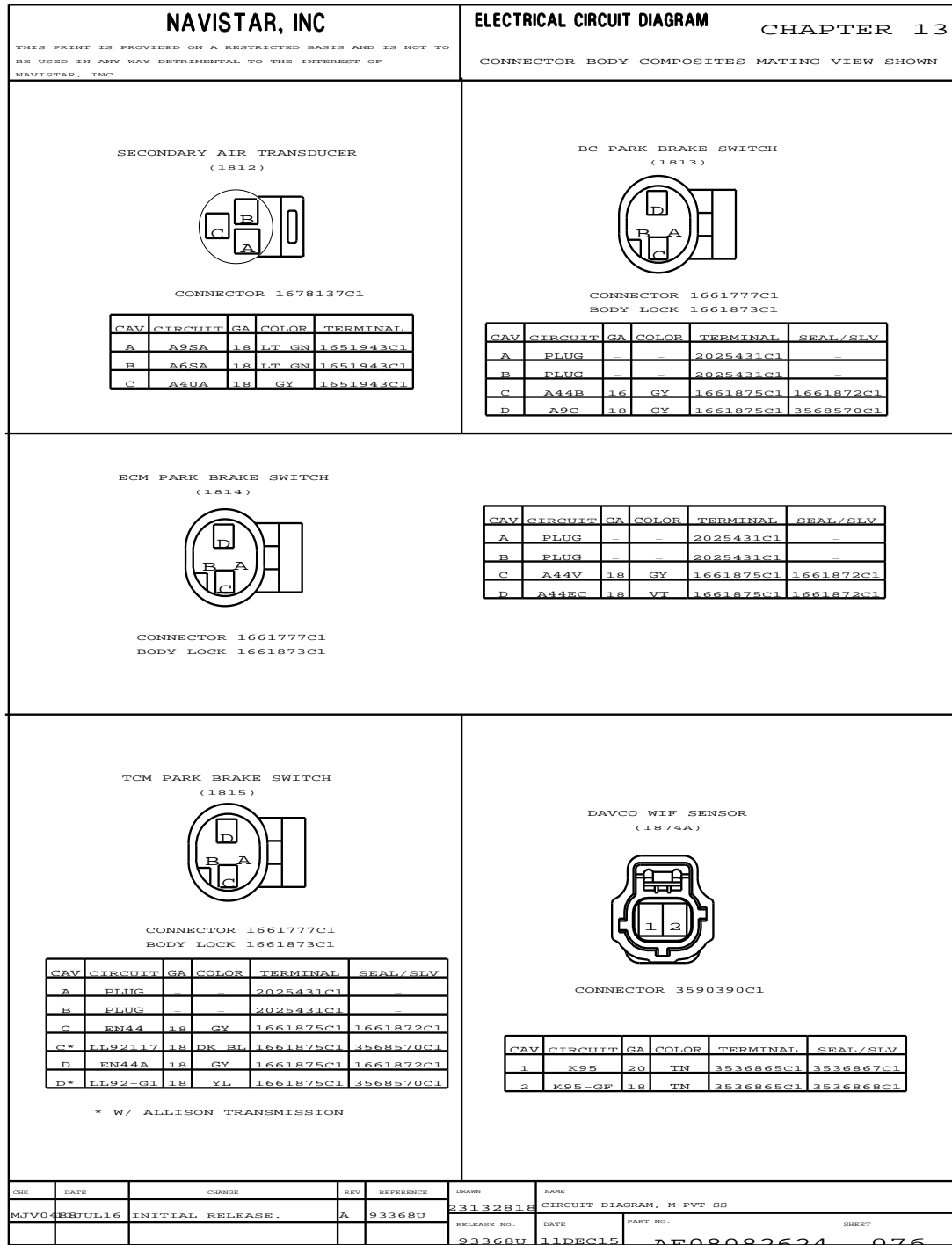


Figure 405 Connector Composites (1812 / 1813 / 1814 / 1815 / 1874A)

13.99. CONNECTOR COMPOSITES (*1874B / 1874B / 1874C / 1938M / 1939 / 1939M), P. 77

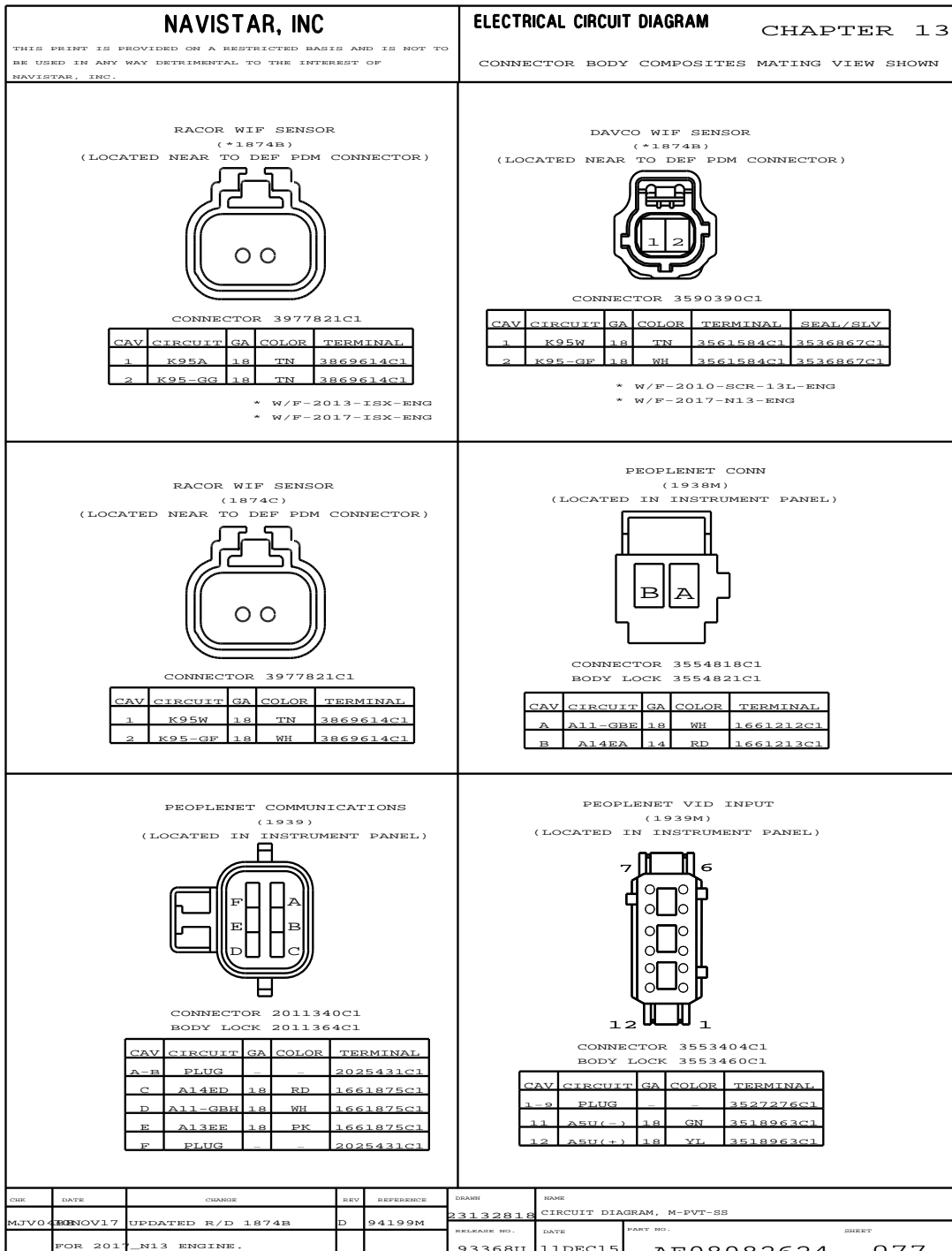


Figure 406 Connector Composites (*1874B / 1874B / 1874C / 1938M / 1939 / 1939M)

13.100. CONNECTOR COMPOSITES (1916 / 1917 / 1918A / 1919A), P. 77A

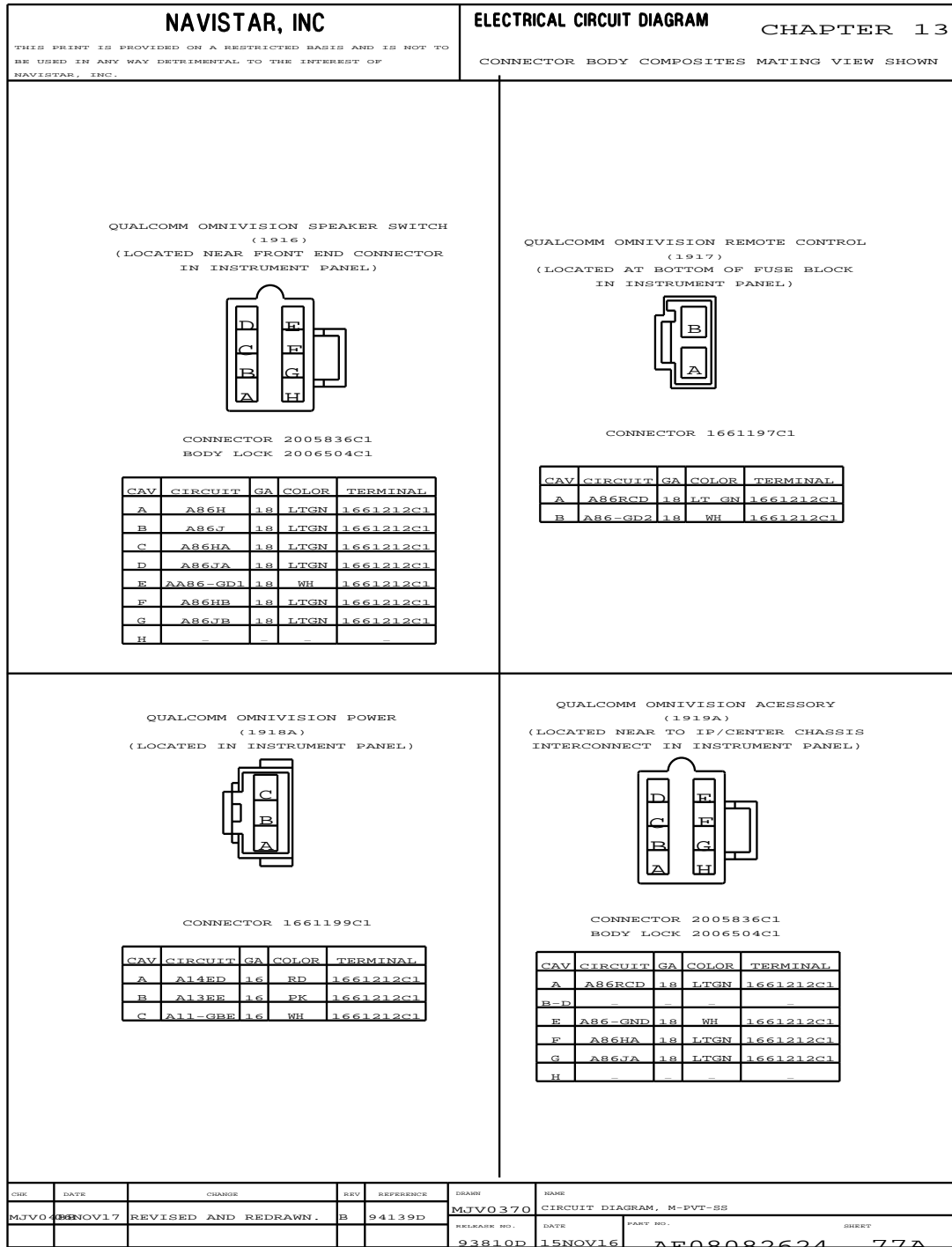


Figure 407 Connector Composites (1916 / 1917 / 1918A / 1919A)

13.101. CONNECTOR COMPOSITES (1937N / 1943M / 1978 / 1979), P. 77B

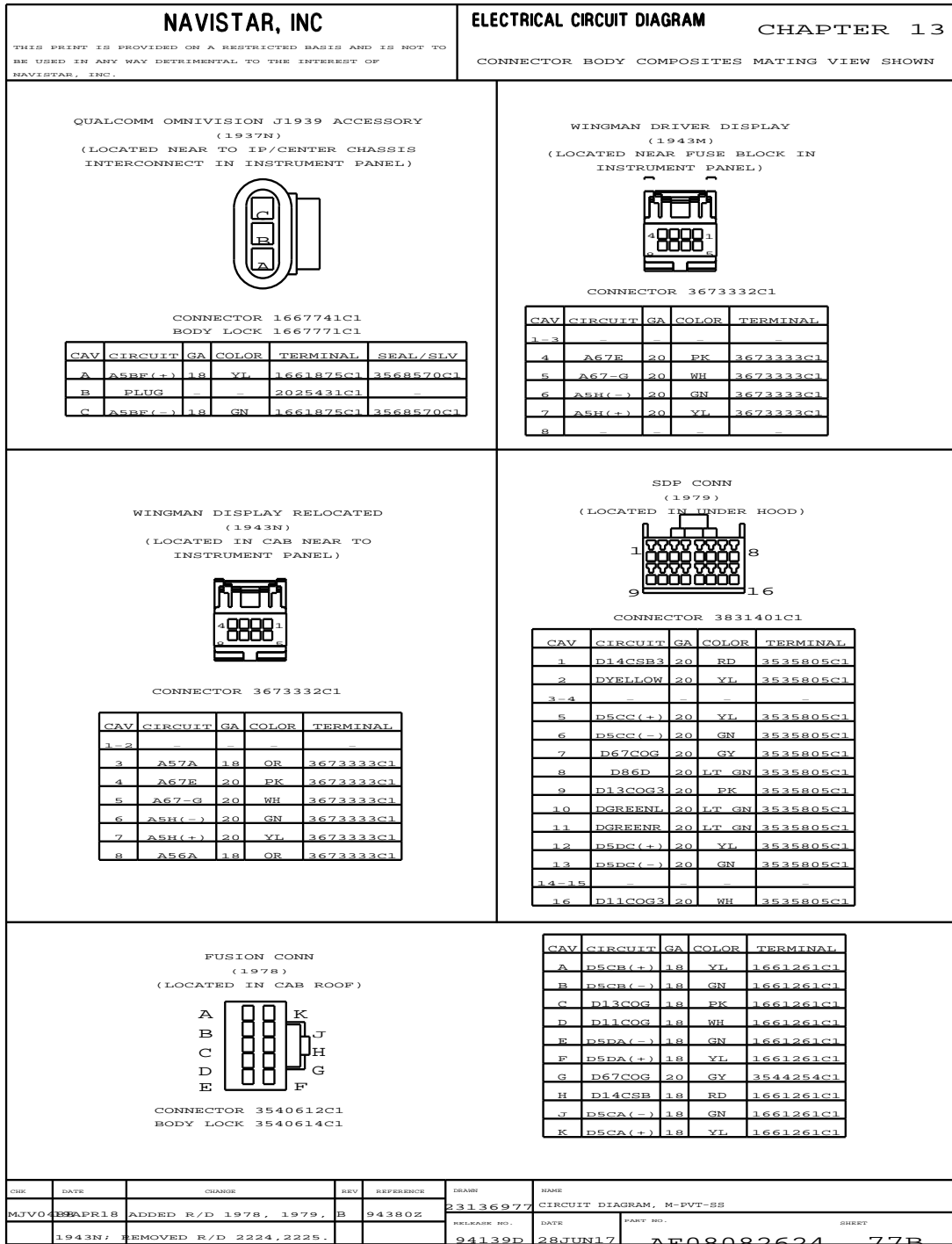


Figure 408 Connector Composites (1937N / 1943M / 2224 / 2225)

13.102. CONNECTOR COMPOSITES (1979A / 2000N / 2224 / 2225), P. 77C

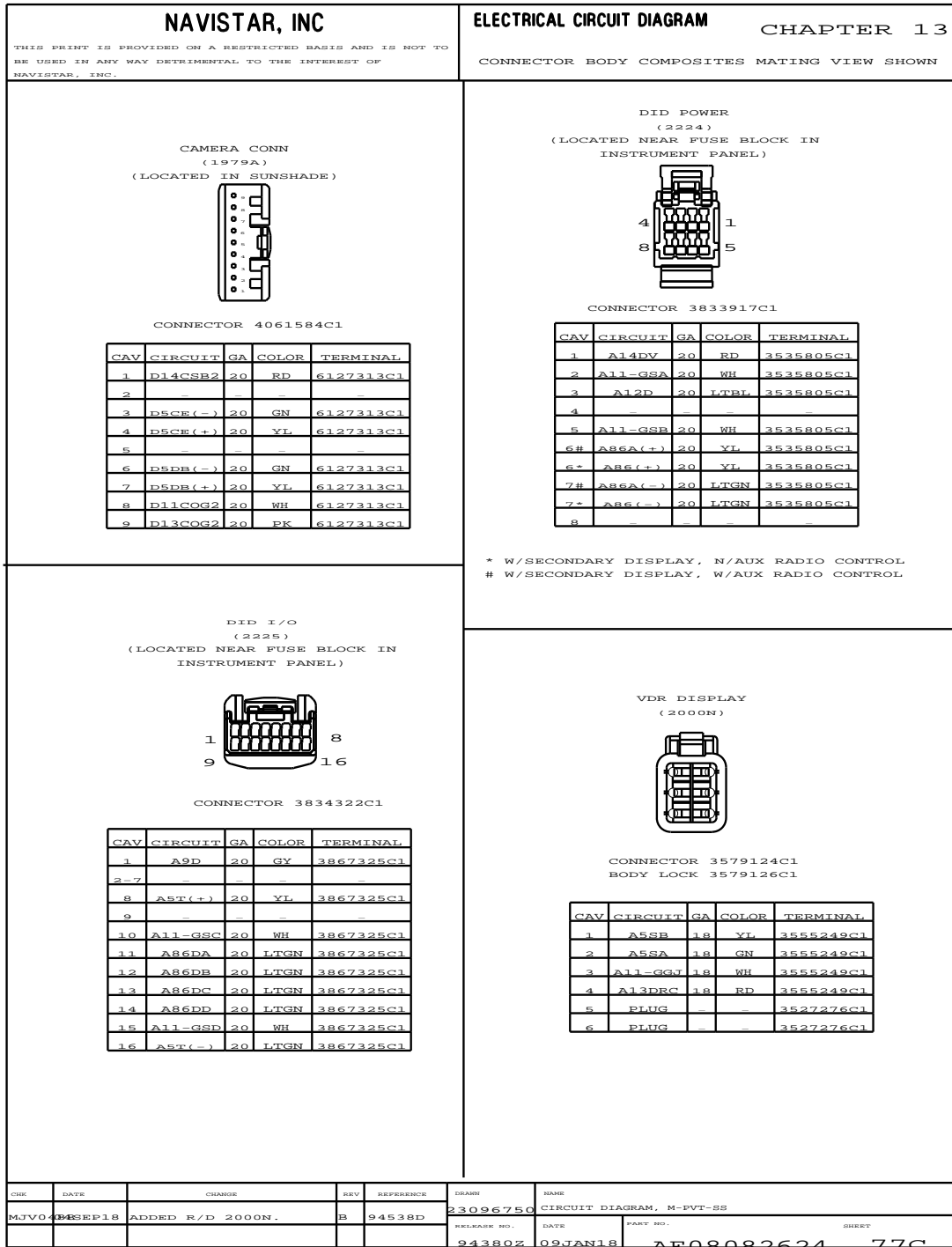


Figure 409 Connector Composites (1979A / 2000N / 2224 / 2225)

13.103. CONNECTOR COMPOSITES (2996 / 2997 / 2998 / 2999), P. 77D


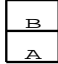

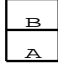
NAVISTAR, INC				ELECTRICAL CIRCUIT DIAGRAM				CHAPTER 13																		
THIS PRINT IS PROVIDED ON A RESTRICTED BASIS AND IS NOT TO BE USED IN ANY WAY DETRIMENTAL TO THE INTEREST OF NAVISTAR, INC.				CONNECTOR BODY COMPOSITES MATING VIEW SHOWN																						
<p>DRIVER SEAT SWITCH (2996)</p>  <p>CONNECTOR 1661259C1 BODY LOCK 1661263C1</p>																										
<table border="1" style="width: 100%; border-collapse: collapse; font-size: x-small;"> <thead> <tr> <th>CAV</th> <th>CIRCUIT</th> <th>GA</th> <th>COLOR</th> <th>TERMINAL</th> </tr> </thead> <tbody> <tr> <td>A</td> <td>D11-GAA</td> <td>18</td> <td>WH</td> <td>1661261C1</td> </tr> <tr> <td>B</td> <td>D11-GAB</td> <td>18</td> <td>WH</td> <td>1661261C1</td> </tr> </tbody> </table>												CAV	CIRCUIT	GA	COLOR	TERMINAL	A	D11-GAA	18	WH	1661261C1	B	D11-GAB	18	WH	1661261C1
CAV	CIRCUIT	GA	COLOR	TERMINAL																						
A	D11-GAA	18	WH	1661261C1																						
B	D11-GAB	18	WH	1661261C1																						
<p>DRIVER SEAT BELT SWITCH (2997)</p>  <p>CONNECTOR 1661260C1 BODY LOCK 1661264C1</p>																										
<table border="1" style="width: 100%; border-collapse: collapse; font-size: x-small;"> <thead> <tr> <th>CAV</th> <th>CIRCUIT</th> <th>GA</th> <th>COLOR</th> <th>TERMINAL</th> </tr> </thead> <tbody> <tr> <td>A</td> <td>D11-GBA</td> <td>18</td> <td>WH</td> <td>1661262C1</td> </tr> <tr> <td>B</td> <td>D11-GBB</td> <td>18</td> <td>WH</td> <td>1661262C1</td> </tr> </tbody> </table>												CAV	CIRCUIT	GA	COLOR	TERMINAL	A	D11-GBA	18	WH	1661262C1	B	D11-GBB	18	WH	1661262C1
CAV	CIRCUIT	GA	COLOR	TERMINAL																						
A	D11-GBA	18	WH	1661262C1																						
B	D11-GBB	18	WH	1661262C1																						
<p>PASSENGER SEAT SWITCH (2998)</p>  <p>CONNECTOR 1661259C1 BODY LOCK 1661263C1</p>																										
<table border="1" style="width: 100%; border-collapse: collapse; font-size: x-small;"> <thead> <tr> <th>CAV</th> <th>CIRCUIT</th> <th>GA</th> <th>COLOR</th> <th>TERMINAL</th> </tr> </thead> <tbody> <tr> <td>A</td> <td>D11-GCA</td> <td>18</td> <td>WH</td> <td>1661261C1</td> </tr> <tr> <td>B</td> <td>D11-GCB</td> <td>18</td> <td>WH</td> <td>1661261C1</td> </tr> </tbody> </table>												CAV	CIRCUIT	GA	COLOR	TERMINAL	A	D11-GCA	18	WH	1661261C1	B	D11-GCB	18	WH	1661261C1
CAV	CIRCUIT	GA	COLOR	TERMINAL																						
A	D11-GCA	18	WH	1661261C1																						
B	D11-GCB	18	WH	1661261C1																						
<p>PASSENGER SEAT BELT SWITCH (2999)</p>  <p>CONNECTOR 1661260C1 BODY LOCK 1661264C1</p>																										
<table border="1" style="width: 100%; border-collapse: collapse; font-size: x-small;"> <thead> <tr> <th>CAV</th> <th>CIRCUIT</th> <th>GA</th> <th>COLOR</th> <th>TERMINAL</th> </tr> </thead> <tbody> <tr> <td>A</td> <td>D11-GDA</td> <td>18</td> <td>WH</td> <td>1661262C1</td> </tr> <tr> <td>B</td> <td>D11-GDB</td> <td>18</td> <td>WH</td> <td>1661262C1</td> </tr> </tbody> </table>												CAV	CIRCUIT	GA	COLOR	TERMINAL	A	D11-GDA	18	WH	1661262C1	B	D11-GDB	18	WH	1661262C1
CAV	CIRCUIT	GA	COLOR	TERMINAL																						
A	D11-GDA	18	WH	1661262C1																						
B	D11-GDB	18	WH	1661262C1																						
CHK	DATE	CHANGE	REV	REFERENCE	DRAWN	NAME																				
MJVD	04SEP18	INITIAL RELEASE.	A	94538D	23112202	CIRCUIT DIAGRAM, M-PVT-SS.																				
RELEASE NO.		DATE		PART NO.		SHEET																				
94538D		28MAY18		AE08082624		77D																				

Figure 410 Connector Composites (2996 / 2997 / 2998 / 2999)

13.104. CONNECTOR COMPOSITES (3000), P. 78

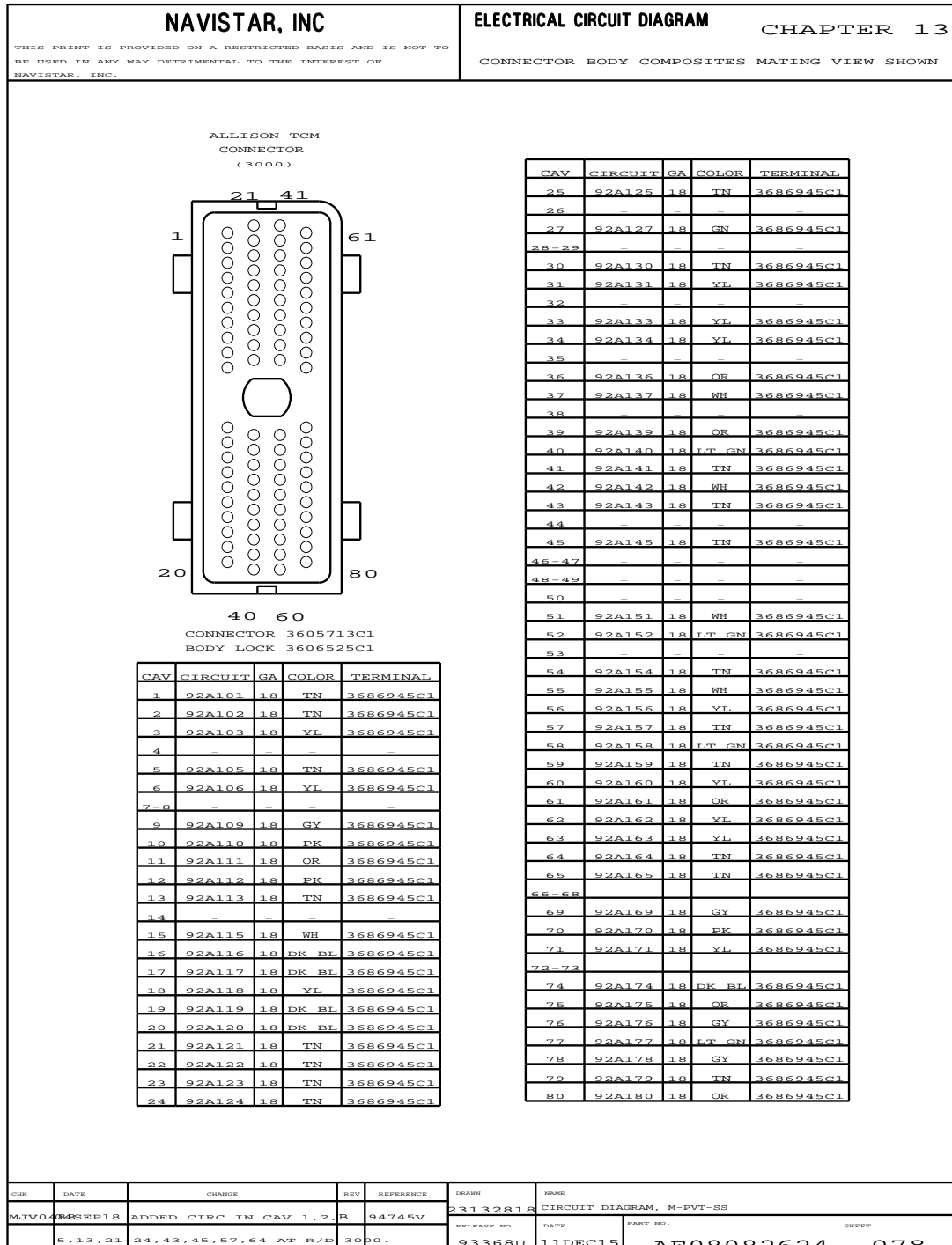


Figure 411 Connector Composites (3000)

13.105. CONNECTOR COMPOSITES (3005), P. 79

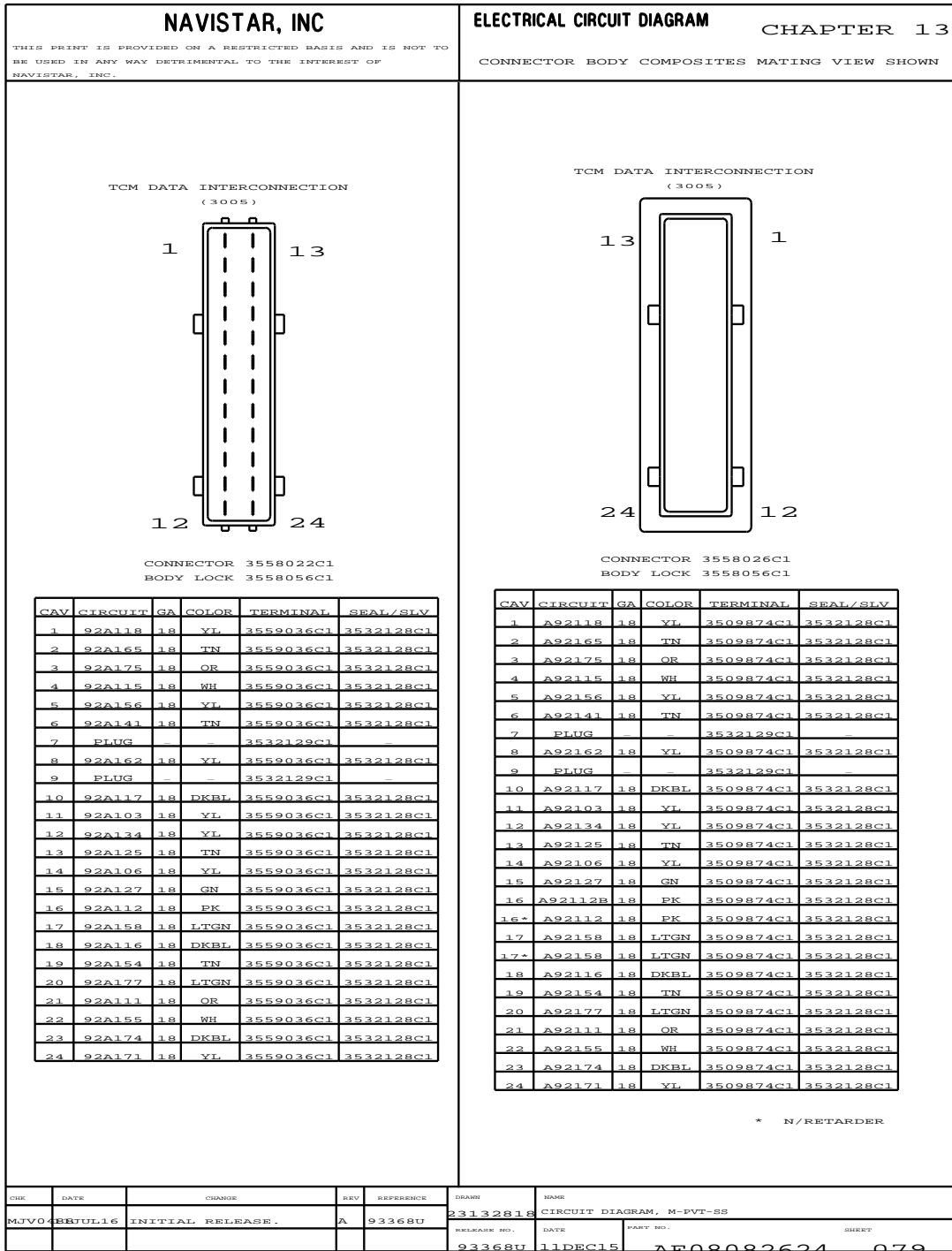


Figure 412 Connector Composites (3005)

13.106. CONNECTOR COMPOSITES (3010), P. 80

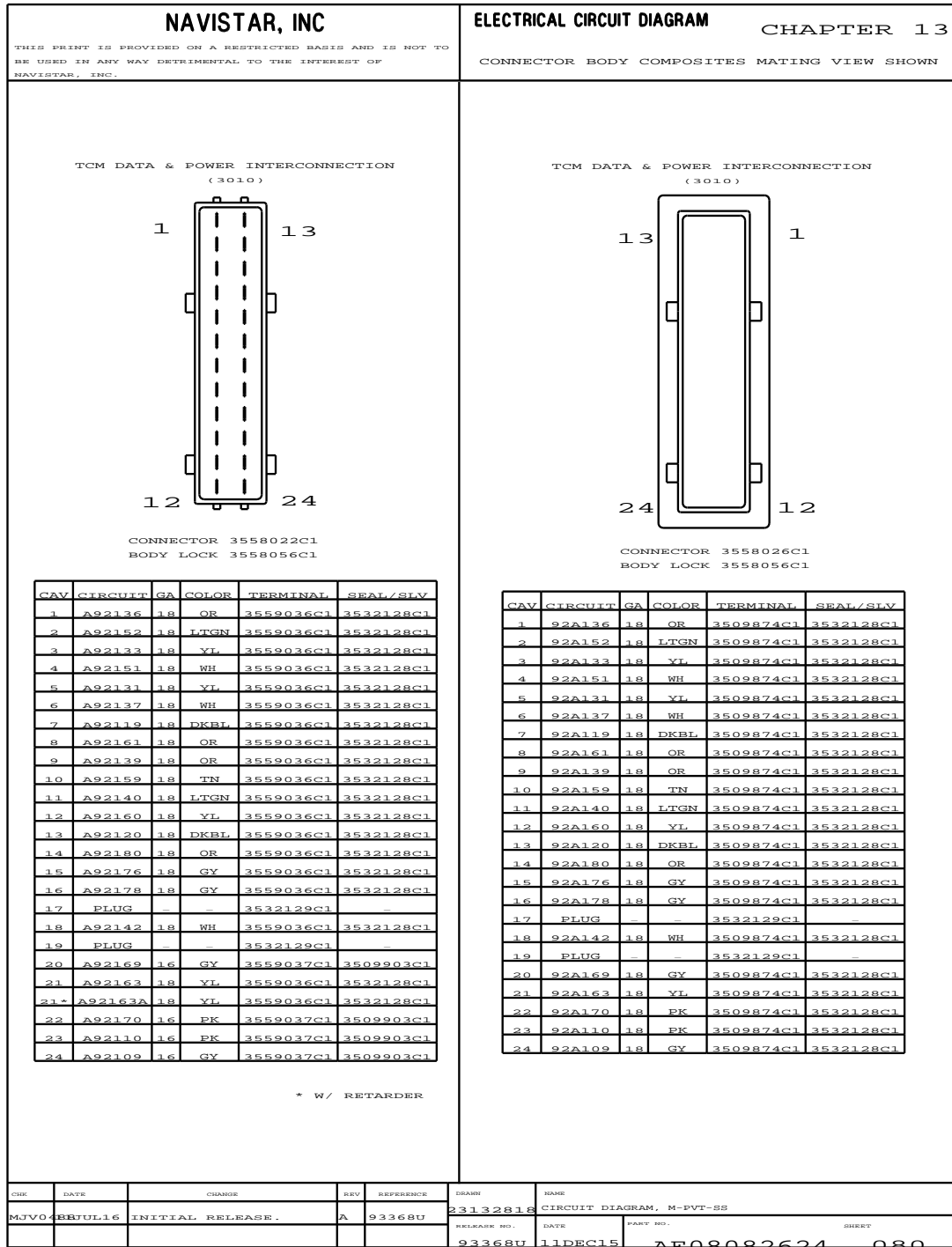


Figure 413 Connector Composites (3010)

13.107. CONNECTOR COMPOSITES (3020), P. 80A

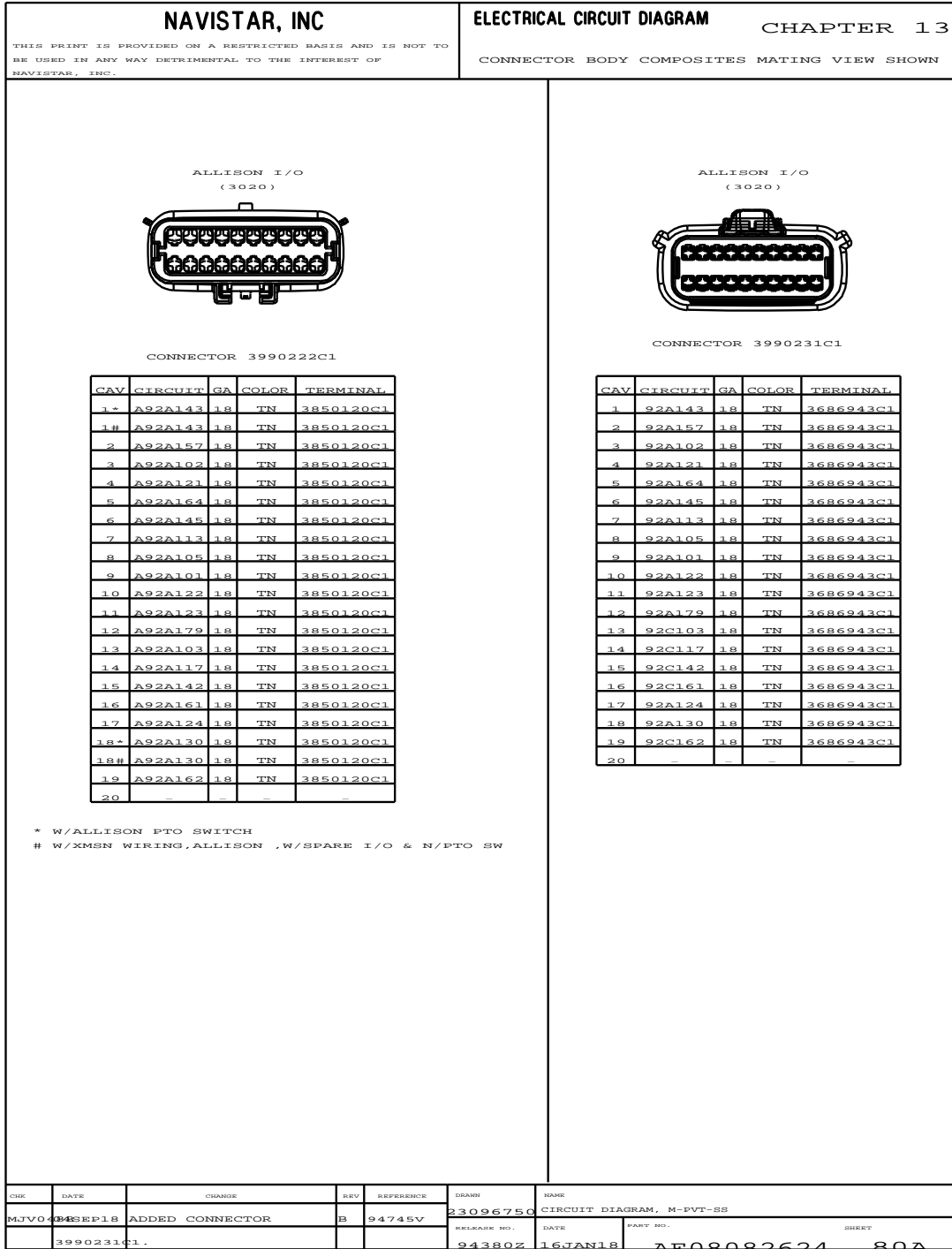


Figure 414 Connector Composites (3020)

13.108. CONNECTOR COMPOSITES (3045 / 3050 / 4327 / 4327L), P. 81

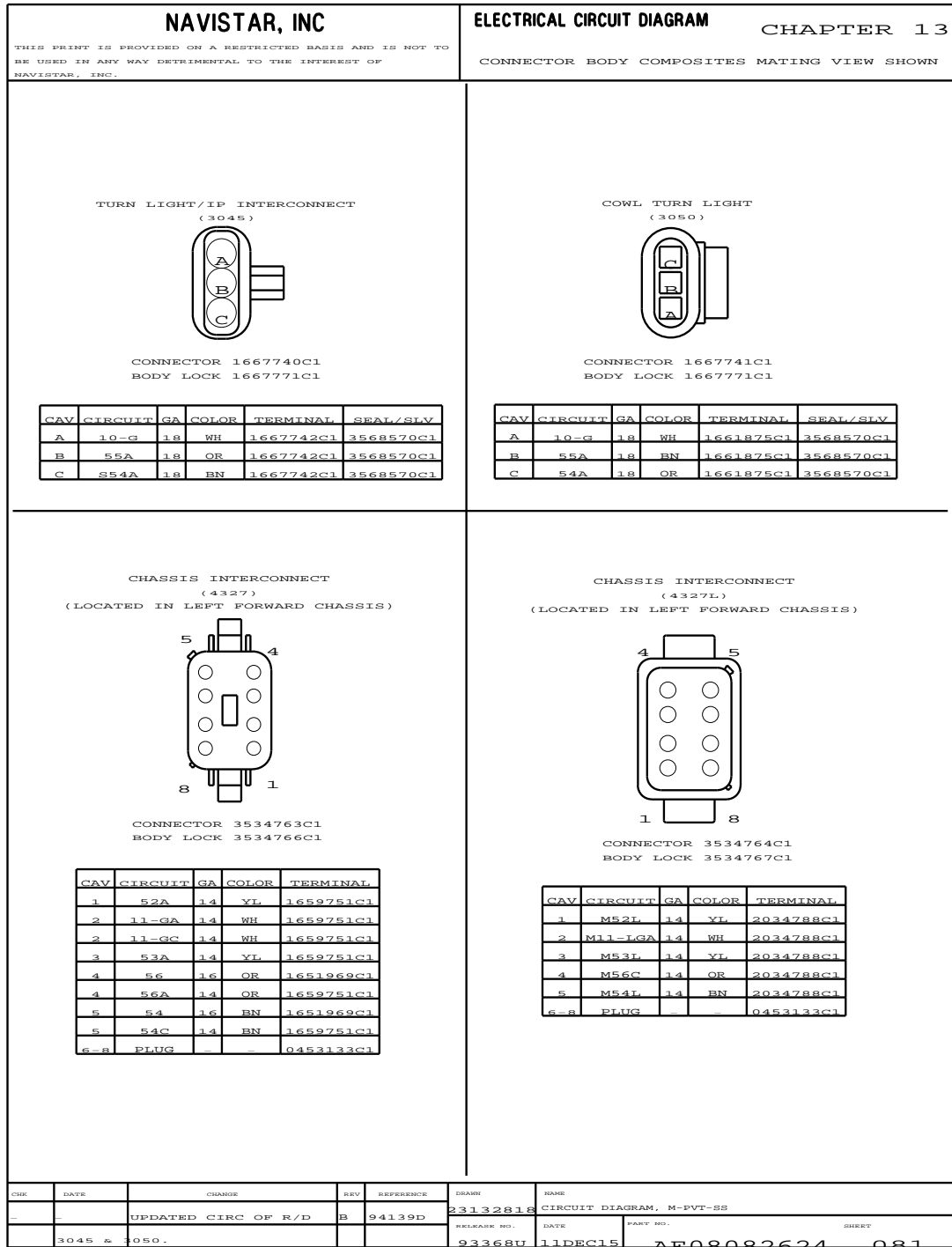


Figure 415 Connector Composites (3045 / 3050 / 4327 / 4327L)

13.109. CONNECTOR COMPOSITES (4327R / *4328 / 4450M / 4450AM), P. 82

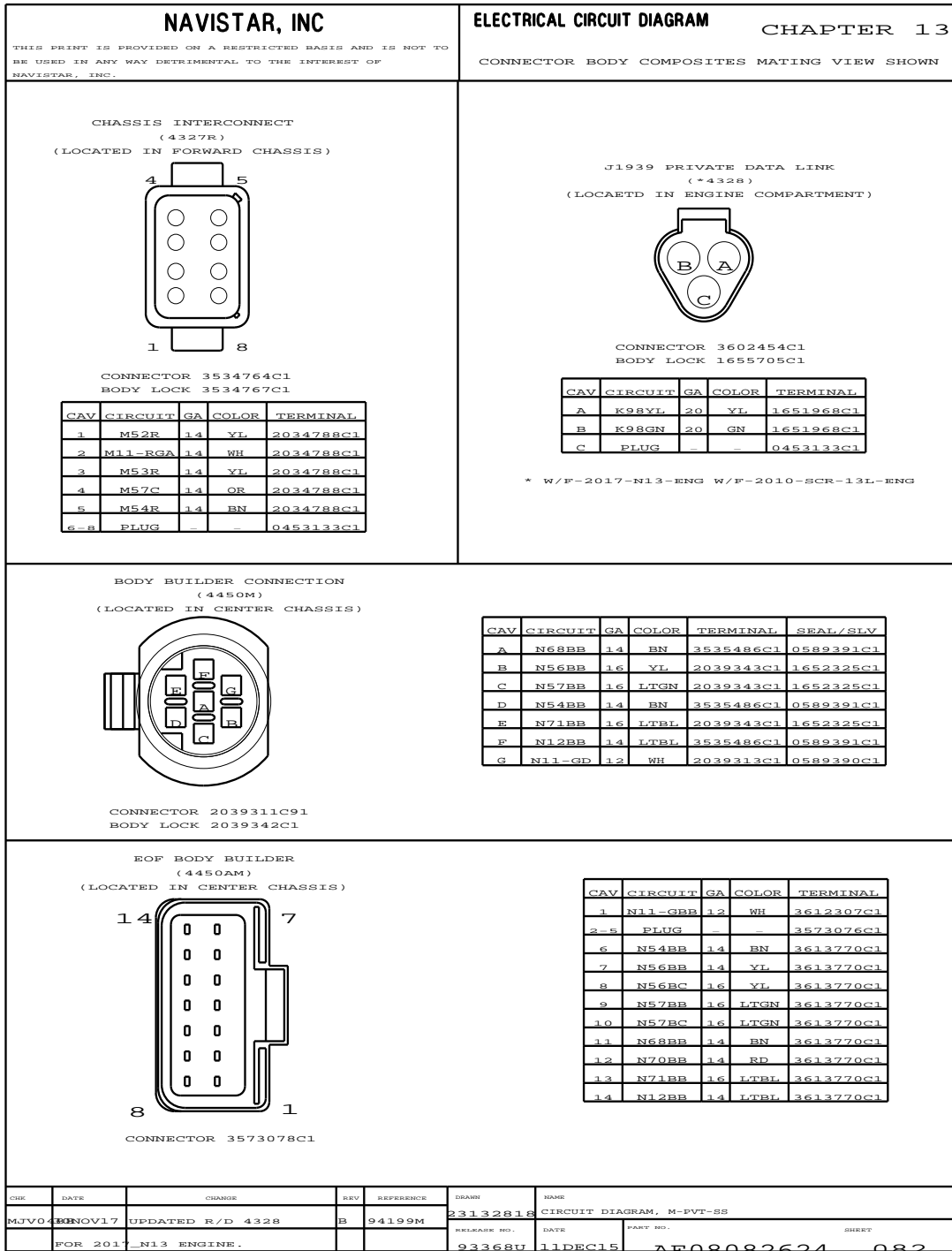


Figure 416 Connector Composites (4327R / *4328 / 4450M / 4450AM)

13.110. CONNECTOR COMPOSITES (4450BM / 4450BF / 4460M / 4460BM), P. 83

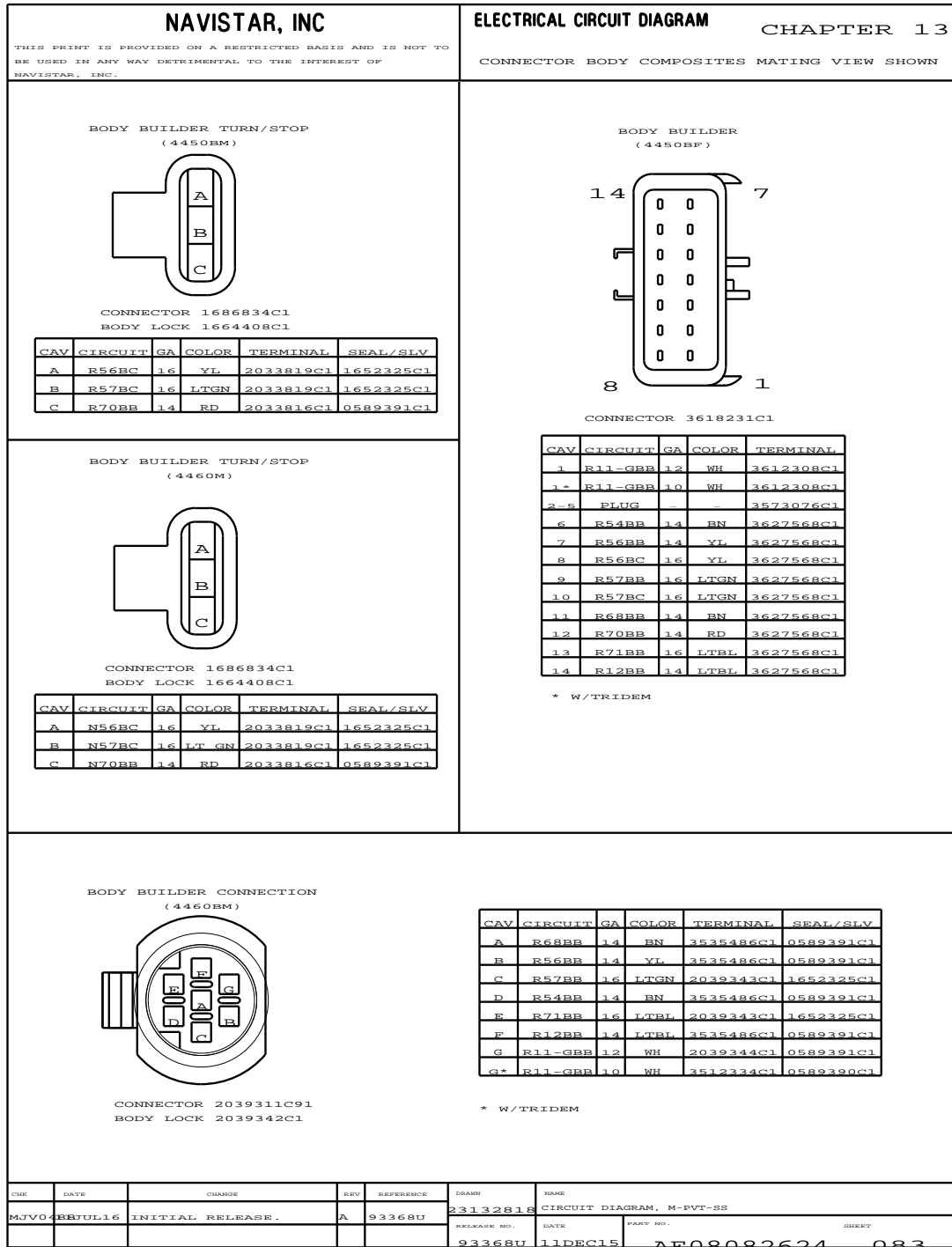


Figure 417 Connector Composites (4450BM / 4450BF / 4460M / 4460BM)

13.111. CONNECTOR COMPOSITES (4705 / 4706 / 4950 / 4950A), P. 84

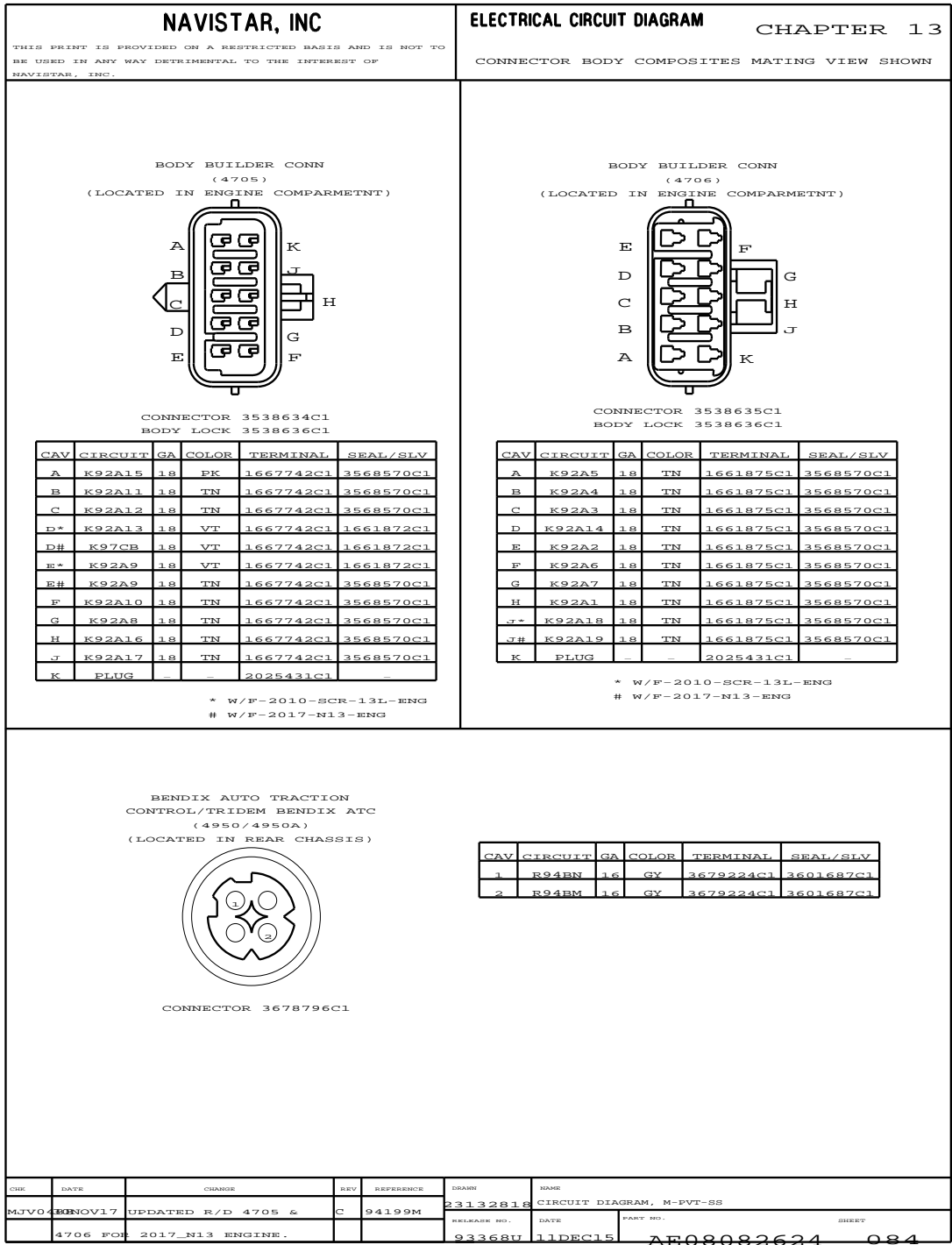


Figure 418 Connector Composites (4705 / 4706 / 4950 / 4950A)

13.112. CONNECTOR COMPOSITES (5001), P. 84A

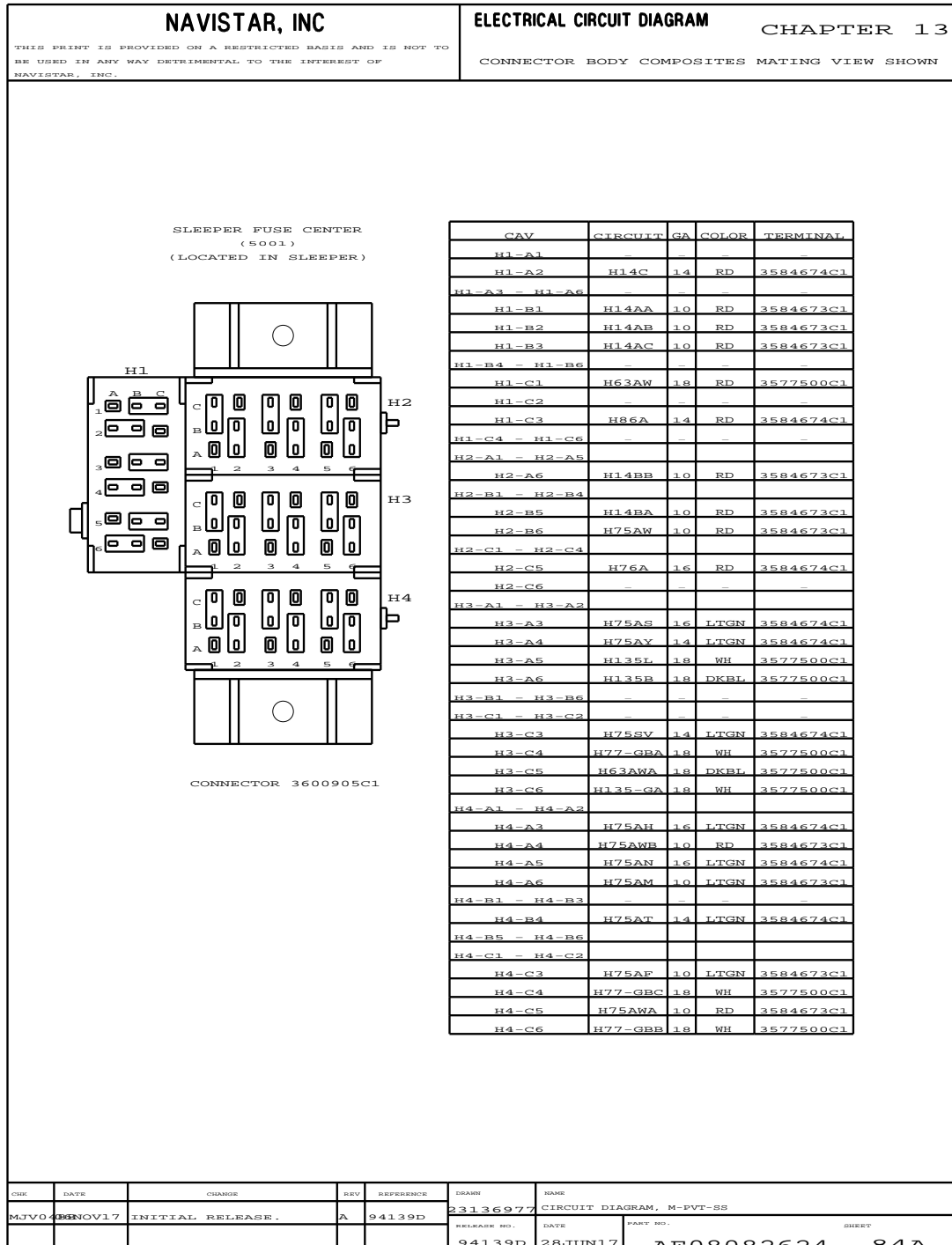


Figure 419 Connector Composites (5001)

13.113. CONNECTOR COMPOSITES (5002 / 5007 / 5118), P. 84B

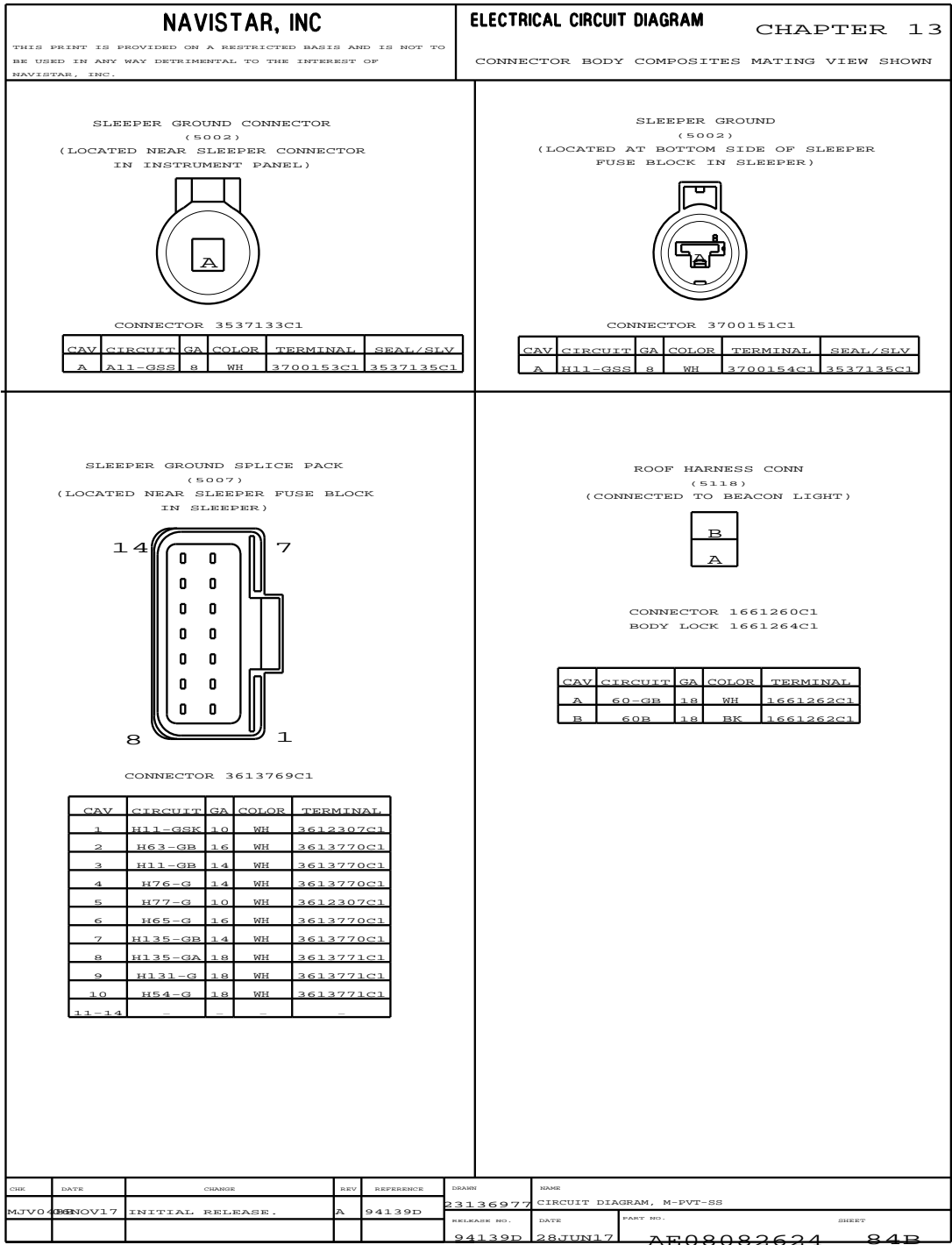
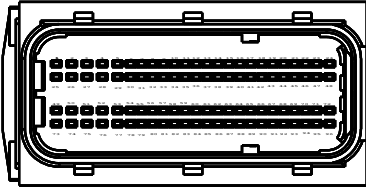


Figure 420 Connector Composites (5002 / 5007 / 5118)

13.114. CONNECTOR COMPOSITES (6000), P. 85

NAVISTAR, INC				ELECTRICAL CIRCUIT DIAGRAM		CHAPTER 13	
THIS PRINT IS PROVIDED ON A RESTRICTED BASIS AND IS NOT TO BE USED IN ANY WAY DETRIMENTAL TO THE INTEREST OF NAVISTAR, INC.				CONNECTOR BODY COMPOSITES MATING VIEW SHOWN			
ECM CONNECTOR (6000)							
							
CONNECTOR 3945694C1 BODY LOCK 3743662C1							
CAV	CIRCUIT	GA	COLOR	TERMINAL			
1	K14F	16	RD	3743666C1			
2	PLUG			3744547C1			
3	K95-GB	16	TN	3743666C1			
4	PLUG			3744547C1			
5	K13B	18	PK	3743666C1			
6	K95F	20	TN	3743668C1			
7	K95-GA	20	TN	3743668C1			
8	K6A	20	PL	3743668C1			
9	K99A5V	20	PL	3743668C1			
10	K99	20	PL	3743668C1			
11*	K23B	20	TN	3743668C1			
11&	K23C	20	TN	3743668C1			
11&	K23A	20	TN	3743668C1			
12#	K97CB	20	PL	3743668C1			
12@	K97AB	20	PL	3743668C1			
13	K95	20	TN	3743668C1			
14-15	PLUG			3744547C1			
16	K95K	20	TN	3743668C1			
17-18	PLUG			3744547C1			
19#	K97CA	20	PL	3743668C1			
19@	K97AA	20	PL	3743668C1			
20	K101	20	TN	3743668C1			
21	PLUG			3744547C1			
22**	K98YL2	20	YL	3743668C1			
22&&	K55(+)	20	YL	3743668C1			
23-24	PLUG			3744547C1			
25	K14E	16	RD	3743666C1			
26	K14D	16	RD	3743666C1			
27	K14C	16	RD	3743666C1			
28	K14B	16	RD	3743666C1			
29-31	PLUG			3744547C1			
32	K9A	20	TN	3743668C1			
33	K99-G	20	PL	3743668C1			
34	PLUG			3744547C1			
35	K34B	20	TN	3743668C1			
36-37	PLUG			3744547C1			
38	K95B	20	TN	3743668C1			
39	K95A1	20	TN	3743668C1			
40	K95C	20	TN	3743668C1			
41	K95	20	TN	3743668C1			
42	K95A	20	TN	3743668C1			
43	PLUG			3744547C1			

CAV	CIRCUIT	GA	COLOR	TERMINAL
44	K97AL	20	PL	3743668C1
45	PLUG			3744547C1
46**	K98GN2	20	GN	3743668C1
46&&	K55(-)	20	GN	3743668C1
47-48	PLUG			3744547C1
49	K10-GL	16	WH	3743666C1
50	K10-GK	16	WH	3743666C1
51	K10-GH	16	WH	3743666C1
52	K10-GG	16	WH	3743666C1
53	K95(-)	18	TN	3743666C1
54	K95E	20	TN	3743668C1
55-56	PLUG			3744547C1
57	K95AA	20	TN	3743668C1
58	PLUG			3744547C1
59	K47A	20	GY	3743668C1
60	K47	20	GY	3743668C1
61	K99-GD	20	PL	3743668C1
62	K95G	18	TN	3743666C1
63	PLUG			3744547C1
64	K99D	20	PL	3743668C1
65	K41	20	LTGN	3743668C1
66	PLUG			3744547C1
67	PLUG			3744547C1
68	K24AE	20	GY	3743668C1
69-72	PLUG			3744547C1
73	K10-GD	16	WH	3743666C1
74	PLUG			3744547C1
75	K21	16	TN	3743666C1
76	K21A	16	TN	3743666C1
77	K95(+)	18	BN	3743666C1
78	K23	20	TN	3743668C1
79	K95D	20	TN	3743668C1
80	PLUG			3744547C1
81	K95G	20	TN	3743668C1
82	K95AB	20	TN	3743668C1
83	PLUG			3744547C1
84	K95MA	20	TN	3743668C1
85	K95MB	20	TN	3743668C1
86	K24AF	20	GY	3743668C1
87-89	PLUG			3744547C1
90	K97AE	20	PL	3743668C1
91	PLUG			3744547C1
92	K97AH	20	PL	3743668C1
93-96	PLUG			3744547C1

* W/ A/C & W/APADS, FAN OVERRIDE
 & W/ A/C & W/APADS & N/ FAN OVERRIDE
 % N/ A/C & N/ FAN OVERRIDE
 # W/ CRUISE CONTROL & W/ REMOTE CRUISE
 @ W/ CRUISE CONTROL
 ** W/ 500K ALLISON 4700 XMSN
 && W/ MANUAL XMSN

CHK	DATE	CHANGE	REV	REFERENCE	DRAWN	NAME
MJVD	08JUL16	INITIAL RELEASE.	A	93368U	23132818	CIRCUIT DIAGRAM, M-PVT-SS
					RELEASE NO.	DATE
					93368U	11DEC15
					PART NO.	SHEET
					AE08082624	085

Figure 421 Connector Composites (6000)

13.115. CONNECTOR COMPOSITES (6000), P. 85A

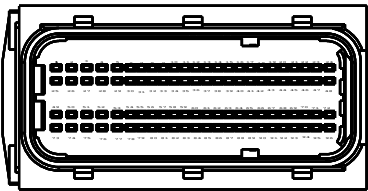
<p>NAVISTAR, INC</p> <p>THIS PRINT IS PROVIDED ON A RESTRICTED BASIS AND IS NOT TO BE USED IN ANY WAY DETRIMENTAL TO THE INTEREST OF NAVISTAR, INC.</p>	<p>ELECTRICAL CIRCUIT DIAGRAM</p> <p>CONNECTOR BODY COMPOSITES MATING VIEW SHOWN</p>	<p>CHAPTER 13</p>																																																																																																																																																																																																																																																																																																																																																																																																																																			
<p>ECM CONNECTOR (6000) (LOCATED IN ENGINE COMPARTMENT)</p>																																																																																																																																																																																																																																																																																																																																																																																																																																					
																																																																																																																																																																																																																																																																																																																																																																																																																																					
<p>CONNECTOR 3945694C1 BODY LOCK 3743662C1</p>																																																																																																																																																																																																																																																																																																																																																																																																																																					
<table border="1" style="width:100%; border-collapse: collapse;"> <thead> <tr> <th>CAV</th> <th>CIRCUIT</th> <th>GAUGE</th> <th>COLOR</th> <th>TERMINAL</th> </tr> </thead> <tbody> <tr><td>1</td><td>K14F</td><td>16</td><td>RD</td><td>3743666C1</td></tr> <tr><td>2</td><td>PLUG</td><td>-</td><td>-</td><td>3744547C1</td></tr> <tr><td>3</td><td>K95GBE</td><td>16</td><td>TN</td><td>3743666C1</td></tr> <tr><td>4</td><td>PLUG</td><td>-</td><td>-</td><td>3744547C1</td></tr> <tr><td>5</td><td>K13B</td><td>18</td><td>PK</td><td>3743666C1</td></tr> <tr><td>6</td><td>K95F</td><td>20</td><td>TN</td><td>3743668C1</td></tr> <tr><td>7</td><td>PLUG</td><td>-</td><td>-</td><td>3744547C1</td></tr> <tr><td>8</td><td>K6A</td><td>20</td><td>PL</td><td>3743668C1</td></tr> <tr><td>9</td><td>K97C</td><td>20</td><td>PL</td><td>3743668C1</td></tr> <tr><td>10</td><td>K99B</td><td>20</td><td>PL</td><td>3743668C1</td></tr> <tr><td>11</td><td>K23C</td><td>20</td><td>TN</td><td>3743668C1</td></tr> <tr><td>12*</td><td>K97CB</td><td>20</td><td>PL</td><td>3743668C1</td></tr> <tr><td>12#</td><td>K97AB</td><td>20</td><td>PL</td><td>3743668C1</td></tr> <tr><td>13</td><td>K95</td><td>20</td><td>TN</td><td>3743668C1</td></tr> <tr><td>14-15</td><td>PLUG</td><td>-</td><td>-</td><td>3744547C1</td></tr> <tr><td>16</td><td>K95K</td><td>20</td><td>TN</td><td>3743668C1</td></tr> <tr><td>17-18</td><td>PLUG</td><td>-</td><td>-</td><td>3744547C1</td></tr> <tr><td>19*</td><td>K97CA</td><td>20</td><td>PL</td><td>3743668C1</td></tr> <tr><td>19#</td><td>K97AA</td><td>20</td><td>PL</td><td>3743668C1</td></tr> <tr><td>20</td><td>K101</td><td>20</td><td>TN</td><td>3743668C1</td></tr> <tr><td>21</td><td>PLUG</td><td>-</td><td>-</td><td>3744547C1</td></tr> <tr><td>22%</td><td>K98YL2</td><td>20</td><td>YL</td><td>3743668C1</td></tr> <tr><td>22@</td><td>K58(+)</td><td>20</td><td>YL</td><td>3743668C1</td></tr> <tr><td>23-24</td><td>PLUG</td><td>-</td><td>-</td><td>3744547C1</td></tr> <tr><td>25</td><td>K14E</td><td>16</td><td>RD</td><td>3743666C1</td></tr> <tr><td>26</td><td>K14D</td><td>16</td><td>RD</td><td>3743666C1</td></tr> <tr><td>27</td><td>K14C</td><td>16</td><td>RD</td><td>3743666C1</td></tr> <tr><td>28</td><td>K14B</td><td>16</td><td>RD</td><td>3743666C1</td></tr> <tr><td>29-31</td><td>PLUG</td><td>-</td><td>-</td><td>3744547C1</td></tr> <tr><td>32</td><td>K9A</td><td>20</td><td>TN</td><td>3743668C1</td></tr> <tr><td>33</td><td>K97B</td><td>20</td><td>PL</td><td>3743668C1</td></tr> <tr><td>34</td><td>PLUG</td><td>-</td><td>-</td><td>3744547C1</td></tr> <tr><td>35</td><td>K34B</td><td>20</td><td>TN</td><td>3743668C1</td></tr> <tr><td>36-37</td><td>PLUG</td><td>-</td><td>-</td><td>3744547C1</td></tr> <tr><td>38</td><td>K95AT2</td><td>20</td><td>TN</td><td>3743668C1</td></tr> <tr><td>39</td><td>K95AS2</td><td>20</td><td>TN</td><td>3743668C1</td></tr> <tr><td>40</td><td>K95AU2</td><td>20</td><td>TN</td><td>3743668C1</td></tr> <tr><td>41</td><td>K95</td><td>20</td><td>TN</td><td>3743668C1</td></tr> <tr><td>42</td><td>K95A</td><td>20</td><td>TN</td><td>3743668C1</td></tr> <tr><td>43</td><td>PLUG</td><td>-</td><td>-</td><td>3744547C1</td></tr> <tr><td>44</td><td>K97AL</td><td>20</td><td>PL</td><td>3743668C1</td></tr> <tr><td>45</td><td>PLUG</td><td>-</td><td>-</td><td>3744547C1</td></tr> </tbody> </table>	CAV	CIRCUIT	GAUGE	COLOR	TERMINAL	1	K14F	16	RD	3743666C1	2	PLUG	-	-	3744547C1	3	K95GBE	16	TN	3743666C1	4	PLUG	-	-	3744547C1	5	K13B	18	PK	3743666C1	6	K95F	20	TN	3743668C1	7	PLUG	-	-	3744547C1	8	K6A	20	PL	3743668C1	9	K97C	20	PL	3743668C1	10	K99B	20	PL	3743668C1	11	K23C	20	TN	3743668C1	12*	K97CB	20	PL	3743668C1	12#	K97AB	20	PL	3743668C1	13	K95	20	TN	3743668C1	14-15	PLUG	-	-	3744547C1	16	K95K	20	TN	3743668C1	17-18	PLUG	-	-	3744547C1	19*	K97CA	20	PL	3743668C1	19#	K97AA	20	PL	3743668C1	20	K101	20	TN	3743668C1	21	PLUG	-	-	3744547C1	22%	K98YL2	20	YL	3743668C1	22@	K58(+)	20	YL	3743668C1	23-24	PLUG	-	-	3744547C1	25	K14E	16	RD	3743666C1	26	K14D	16	RD	3743666C1	27	K14C	16	RD	3743666C1	28	K14B	16	RD	3743666C1	29-31	PLUG	-	-	3744547C1	32	K9A	20	TN	3743668C1	33	K97B	20	PL	3743668C1	34	PLUG	-	-	3744547C1	35	K34B	20	TN	3743668C1	36-37	PLUG	-	-	3744547C1	38	K95AT2	20	TN	3743668C1	39	K95AS2	20	TN	3743668C1	40	K95AU2	20	TN	3743668C1	41	K95	20	TN	3743668C1	42	K95A	20	TN	3743668C1	43	PLUG	-	-	3744547C1	44	K97AL	20	PL	3743668C1	45	PLUG	-	-	3744547C1	<table border="1" style="width:100%; border-collapse: collapse;"> <thead> <tr> <th>CAV</th> <th>CIRCUIT</th> <th>GA</th> <th>COLOR</th> <th>TERMINAL</th> </tr> </thead> <tbody> <tr><td>46%</td><td>K98GN2</td><td>20</td><td>GN</td><td>3743668C1</td></tr> <tr><td>46@</td><td>K58(-)</td><td>20</td><td>GN</td><td>3743668C1</td></tr> <tr><td>47-48</td><td>PLUG</td><td>-</td><td>-</td><td>3744547C1</td></tr> <tr><td>49</td><td>K10-GL</td><td>16</td><td>WH</td><td>3743666C1</td></tr> <tr><td>50</td><td>K10-GK</td><td>16</td><td>WH</td><td>3743666C1</td></tr> <tr><td>51</td><td>K10-GH</td><td>16</td><td>WH</td><td>3743666C1</td></tr> <tr><td>52</td><td>K10-GG</td><td>16</td><td>WH</td><td>3743666C1</td></tr> <tr><td>53</td><td>K95DVL</td><td>20</td><td>TN</td><td>3743668C1</td></tr> <tr><td>54</td><td>K95E</td><td>20</td><td>TN</td><td>3743668C1</td></tr> <tr><td>55-56</td><td>PLUG</td><td>-</td><td>-</td><td>3744547C1</td></tr> <tr><td>57</td><td>K95AA</td><td>20</td><td>TN</td><td>3743668C1</td></tr> <tr><td>58</td><td>PLUG</td><td>-</td><td>-</td><td>3744547C1</td></tr> <tr><td>59</td><td>K47A</td><td>20</td><td>GY</td><td>3743668C1</td></tr> <tr><td>60</td><td>K47</td><td>20</td><td>GY</td><td>3743668C1</td></tr> <tr><td>61</td><td>K99-GD</td><td>20</td><td>PL</td><td>3743668C1</td></tr> <tr><td>62</td><td>K95G</td><td>18</td><td>TN</td><td>3743666C1</td></tr> <tr><td>63</td><td>PLUG</td><td>-</td><td>-</td><td>3744547C1</td></tr> <tr><td>64</td><td>K99D</td><td>20</td><td>PL</td><td>3743668C1</td></tr> <tr><td>65</td><td>K41</td><td>20</td><td>LTGN</td><td>3743668C1</td></tr> <tr><td>66-67</td><td>PLUG</td><td>-</td><td>-</td><td>3744547C1</td></tr> <tr><td>68</td><td>K24AE</td><td>20</td><td>GY</td><td>3743668C1</td></tr> <tr><td>69</td><td>PLUG</td><td>-</td><td>-</td><td>3744547C1</td></tr> <tr><td>70</td><td>K93A</td><td>20</td><td>TN</td><td>3743668C1</td></tr> <tr><td>71-72</td><td>PLUG</td><td>-</td><td>-</td><td>3744547C1</td></tr> <tr><td>73</td><td>K10-GD</td><td>16</td><td>WH</td><td>3743666C1</td></tr> <tr><td>74</td><td>PLUG</td><td>-</td><td>-</td><td>3744547C1</td></tr> <tr><td>75</td><td>K21</td><td>16</td><td>TN</td><td>3743666C1</td></tr> <tr><td>76</td><td>K21A</td><td>16</td><td>TN</td><td>3743666C1</td></tr> <tr><td>77</td><td>K95DVH</td><td>20</td><td>TN</td><td>3743668C1</td></tr> <tr><td>78</td><td>K23</td><td>20</td><td>TN</td><td>3743668C1</td></tr> <tr><td>79</td><td>K95SB</td><td>20</td><td>TN</td><td>3743668C1</td></tr> <tr><td>80-81</td><td>PLUG</td><td>-</td><td>-</td><td>3744547C1</td></tr> <tr><td>82</td><td>K95AC</td><td>20</td><td>TN</td><td>3743668C1</td></tr> <tr><td>83-85</td><td>PLUG</td><td>-</td><td>-</td><td>3744547C1</td></tr> <tr><td>86</td><td>K24AF</td><td>20</td><td>GY</td><td>3743668C1</td></tr> <tr><td>87-89</td><td>PLUG</td><td>-</td><td>-</td><td>3744547C1</td></tr> <tr><td>90</td><td>K97AE</td><td>20</td><td>PL</td><td>3743668C1</td></tr> <tr><td>91</td><td>PLUG</td><td>-</td><td>-</td><td>3744547C1</td></tr> <tr><td>92</td><td>K97AH</td><td>20</td><td>PL</td><td>3743668C1</td></tr> <tr><td>93-96</td><td>PLUG</td><td>-</td><td>-</td><td>3744547C1</td></tr> </tbody> </table>	CAV	CIRCUIT	GA	COLOR	TERMINAL	46%	K98GN2	20	GN	3743668C1	46@	K58(-)	20	GN	3743668C1	47-48	PLUG	-	-	3744547C1	49	K10-GL	16	WH	3743666C1	50	K10-GK	16	WH	3743666C1	51	K10-GH	16	WH	3743666C1	52	K10-GG	16	WH	3743666C1	53	K95DVL	20	TN	3743668C1	54	K95E	20	TN	3743668C1	55-56	PLUG	-	-	3744547C1	57	K95AA	20	TN	3743668C1	58	PLUG	-	-	3744547C1	59	K47A	20	GY	3743668C1	60	K47	20	GY	3743668C1	61	K99-GD	20	PL	3743668C1	62	K95G	18	TN	3743666C1	63	PLUG	-	-	3744547C1	64	K99D	20	PL	3743668C1	65	K41	20	LTGN	3743668C1	66-67	PLUG	-	-	3744547C1	68	K24AE	20	GY	3743668C1	69	PLUG	-	-	3744547C1	70	K93A	20	TN	3743668C1	71-72	PLUG	-	-	3744547C1	73	K10-GD	16	WH	3743666C1	74	PLUG	-	-	3744547C1	75	K21	16	TN	3743666C1	76	K21A	16	TN	3743666C1	77	K95DVH	20	TN	3743668C1	78	K23	20	TN	3743668C1	79	K95SB	20	TN	3743668C1	80-81	PLUG	-	-	3744547C1	82	K95AC	20	TN	3743668C1	83-85	PLUG	-	-	3744547C1	86	K24AF	20	GY	3743668C1	87-89	PLUG	-	-	3744547C1	90	K97AE	20	PL	3743668C1	91	PLUG	-	-	3744547C1	92	K97AH	20	PL	3743668C1	93-96	PLUG	-	-	3744547C1
CAV	CIRCUIT	GAUGE	COLOR	TERMINAL																																																																																																																																																																																																																																																																																																																																																																																																																																	
1	K14F	16	RD	3743666C1																																																																																																																																																																																																																																																																																																																																																																																																																																	
2	PLUG	-	-	3744547C1																																																																																																																																																																																																																																																																																																																																																																																																																																	
3	K95GBE	16	TN	3743666C1																																																																																																																																																																																																																																																																																																																																																																																																																																	
4	PLUG	-	-	3744547C1																																																																																																																																																																																																																																																																																																																																																																																																																																	
5	K13B	18	PK	3743666C1																																																																																																																																																																																																																																																																																																																																																																																																																																	
6	K95F	20	TN	3743668C1																																																																																																																																																																																																																																																																																																																																																																																																																																	
7	PLUG	-	-	3744547C1																																																																																																																																																																																																																																																																																																																																																																																																																																	
8	K6A	20	PL	3743668C1																																																																																																																																																																																																																																																																																																																																																																																																																																	
9	K97C	20	PL	3743668C1																																																																																																																																																																																																																																																																																																																																																																																																																																	
10	K99B	20	PL	3743668C1																																																																																																																																																																																																																																																																																																																																																																																																																																	
11	K23C	20	TN	3743668C1																																																																																																																																																																																																																																																																																																																																																																																																																																	
12*	K97CB	20	PL	3743668C1																																																																																																																																																																																																																																																																																																																																																																																																																																	
12#	K97AB	20	PL	3743668C1																																																																																																																																																																																																																																																																																																																																																																																																																																	
13	K95	20	TN	3743668C1																																																																																																																																																																																																																																																																																																																																																																																																																																	
14-15	PLUG	-	-	3744547C1																																																																																																																																																																																																																																																																																																																																																																																																																																	
16	K95K	20	TN	3743668C1																																																																																																																																																																																																																																																																																																																																																																																																																																	
17-18	PLUG	-	-	3744547C1																																																																																																																																																																																																																																																																																																																																																																																																																																	
19*	K97CA	20	PL	3743668C1																																																																																																																																																																																																																																																																																																																																																																																																																																	
19#	K97AA	20	PL	3743668C1																																																																																																																																																																																																																																																																																																																																																																																																																																	
20	K101	20	TN	3743668C1																																																																																																																																																																																																																																																																																																																																																																																																																																	
21	PLUG	-	-	3744547C1																																																																																																																																																																																																																																																																																																																																																																																																																																	
22%	K98YL2	20	YL	3743668C1																																																																																																																																																																																																																																																																																																																																																																																																																																	
22@	K58(+)	20	YL	3743668C1																																																																																																																																																																																																																																																																																																																																																																																																																																	
23-24	PLUG	-	-	3744547C1																																																																																																																																																																																																																																																																																																																																																																																																																																	
25	K14E	16	RD	3743666C1																																																																																																																																																																																																																																																																																																																																																																																																																																	
26	K14D	16	RD	3743666C1																																																																																																																																																																																																																																																																																																																																																																																																																																	
27	K14C	16	RD	3743666C1																																																																																																																																																																																																																																																																																																																																																																																																																																	
28	K14B	16	RD	3743666C1																																																																																																																																																																																																																																																																																																																																																																																																																																	
29-31	PLUG	-	-	3744547C1																																																																																																																																																																																																																																																																																																																																																																																																																																	
32	K9A	20	TN	3743668C1																																																																																																																																																																																																																																																																																																																																																																																																																																	
33	K97B	20	PL	3743668C1																																																																																																																																																																																																																																																																																																																																																																																																																																	
34	PLUG	-	-	3744547C1																																																																																																																																																																																																																																																																																																																																																																																																																																	
35	K34B	20	TN	3743668C1																																																																																																																																																																																																																																																																																																																																																																																																																																	
36-37	PLUG	-	-	3744547C1																																																																																																																																																																																																																																																																																																																																																																																																																																	
38	K95AT2	20	TN	3743668C1																																																																																																																																																																																																																																																																																																																																																																																																																																	
39	K95AS2	20	TN	3743668C1																																																																																																																																																																																																																																																																																																																																																																																																																																	
40	K95AU2	20	TN	3743668C1																																																																																																																																																																																																																																																																																																																																																																																																																																	
41	K95	20	TN	3743668C1																																																																																																																																																																																																																																																																																																																																																																																																																																	
42	K95A	20	TN	3743668C1																																																																																																																																																																																																																																																																																																																																																																																																																																	
43	PLUG	-	-	3744547C1																																																																																																																																																																																																																																																																																																																																																																																																																																	
44	K97AL	20	PL	3743668C1																																																																																																																																																																																																																																																																																																																																																																																																																																	
45	PLUG	-	-	3744547C1																																																																																																																																																																																																																																																																																																																																																																																																																																	
CAV	CIRCUIT	GA	COLOR	TERMINAL																																																																																																																																																																																																																																																																																																																																																																																																																																	
46%	K98GN2	20	GN	3743668C1																																																																																																																																																																																																																																																																																																																																																																																																																																	
46@	K58(-)	20	GN	3743668C1																																																																																																																																																																																																																																																																																																																																																																																																																																	
47-48	PLUG	-	-	3744547C1																																																																																																																																																																																																																																																																																																																																																																																																																																	
49	K10-GL	16	WH	3743666C1																																																																																																																																																																																																																																																																																																																																																																																																																																	
50	K10-GK	16	WH	3743666C1																																																																																																																																																																																																																																																																																																																																																																																																																																	
51	K10-GH	16	WH	3743666C1																																																																																																																																																																																																																																																																																																																																																																																																																																	
52	K10-GG	16	WH	3743666C1																																																																																																																																																																																																																																																																																																																																																																																																																																	
53	K95DVL	20	TN	3743668C1																																																																																																																																																																																																																																																																																																																																																																																																																																	
54	K95E	20	TN	3743668C1																																																																																																																																																																																																																																																																																																																																																																																																																																	
55-56	PLUG	-	-	3744547C1																																																																																																																																																																																																																																																																																																																																																																																																																																	
57	K95AA	20	TN	3743668C1																																																																																																																																																																																																																																																																																																																																																																																																																																	
58	PLUG	-	-	3744547C1																																																																																																																																																																																																																																																																																																																																																																																																																																	
59	K47A	20	GY	3743668C1																																																																																																																																																																																																																																																																																																																																																																																																																																	
60	K47	20	GY	3743668C1																																																																																																																																																																																																																																																																																																																																																																																																																																	
61	K99-GD	20	PL	3743668C1																																																																																																																																																																																																																																																																																																																																																																																																																																	
62	K95G	18	TN	3743666C1																																																																																																																																																																																																																																																																																																																																																																																																																																	
63	PLUG	-	-	3744547C1																																																																																																																																																																																																																																																																																																																																																																																																																																	
64	K99D	20	PL	3743668C1																																																																																																																																																																																																																																																																																																																																																																																																																																	
65	K41	20	LTGN	3743668C1																																																																																																																																																																																																																																																																																																																																																																																																																																	
66-67	PLUG	-	-	3744547C1																																																																																																																																																																																																																																																																																																																																																																																																																																	
68	K24AE	20	GY	3743668C1																																																																																																																																																																																																																																																																																																																																																																																																																																	
69	PLUG	-	-	3744547C1																																																																																																																																																																																																																																																																																																																																																																																																																																	
70	K93A	20	TN	3743668C1																																																																																																																																																																																																																																																																																																																																																																																																																																	
71-72	PLUG	-	-	3744547C1																																																																																																																																																																																																																																																																																																																																																																																																																																	
73	K10-GD	16	WH	3743666C1																																																																																																																																																																																																																																																																																																																																																																																																																																	
74	PLUG	-	-	3744547C1																																																																																																																																																																																																																																																																																																																																																																																																																																	
75	K21	16	TN	3743666C1																																																																																																																																																																																																																																																																																																																																																																																																																																	
76	K21A	16	TN	3743666C1																																																																																																																																																																																																																																																																																																																																																																																																																																	
77	K95DVH	20	TN	3743668C1																																																																																																																																																																																																																																																																																																																																																																																																																																	
78	K23	20	TN	3743668C1																																																																																																																																																																																																																																																																																																																																																																																																																																	
79	K95SB	20	TN	3743668C1																																																																																																																																																																																																																																																																																																																																																																																																																																	
80-81	PLUG	-	-	3744547C1																																																																																																																																																																																																																																																																																																																																																																																																																																	
82	K95AC	20	TN	3743668C1																																																																																																																																																																																																																																																																																																																																																																																																																																	
83-85	PLUG	-	-	3744547C1																																																																																																																																																																																																																																																																																																																																																																																																																																	
86	K24AF	20	GY	3743668C1																																																																																																																																																																																																																																																																																																																																																																																																																																	
87-89	PLUG	-	-	3744547C1																																																																																																																																																																																																																																																																																																																																																																																																																																	
90	K97AE	20	PL	3743668C1																																																																																																																																																																																																																																																																																																																																																																																																																																	
91	PLUG	-	-	3744547C1																																																																																																																																																																																																																																																																																																																																																																																																																																	
92	K97AH	20	PL	3743668C1																																																																																																																																																																																																																																																																																																																																																																																																																																	
93-96	PLUG	-	-	3744547C1																																																																																																																																																																																																																																																																																																																																																																																																																																	
<p>W/F-2017-ISB-ENG * W/REMOTE CRUISE # N/REMOTE CRUISE % W/ALLISON 4700 XMSN, W/EOF SHIFTER, N/RET @ W/MANUAL XMSN</p>																																																																																																																																																																																																																																																																																																																																																																																																																																					
<table border="1" style="width:100%; border-collapse: collapse;"> <thead> <tr> <th>CHK</th> <th>DATE</th> <th>CHANGE</th> <th>REV</th> <th>REFERENCE</th> </tr> </thead> <tbody> <tr> <td>MJV0</td> <td>28OCT16</td> <td>INITIAL RELEASE.</td> <td>A</td> <td>93698L</td> </tr> </tbody> </table>	CHK	DATE	CHANGE	REV	REFERENCE	MJV0	28OCT16	INITIAL RELEASE.	A	93698L			<table border="1" style="width:100%; border-collapse: collapse;"> <thead> <tr> <th>DRAWN</th> <th>NAME</th> </tr> </thead> <tbody> <tr> <td>23136977</td> <td>CIRCUIT DIAGRAM, M-PVT-SS</td> </tr> </tbody> </table>	DRAWN	NAME	23136977	CIRCUIT DIAGRAM, M-PVT-SS	<table border="1" style="width:100%; border-collapse: collapse;"> <thead> <tr> <th>RELEASE NO.</th> <th>DATE</th> <th>PART NO.</th> <th>SHEET</th> </tr> </thead> <tbody> <tr> <td>9363BL</td> <td>20SEP16</td> <td>AE08082624</td> <td>85A</td> </tr> </tbody> </table>	RELEASE NO.	DATE	PART NO.	SHEET	9363BL	20SEP16	AE08082624	85A																																																																																																																																																																																																																																																																																																																																																																																																											
CHK	DATE	CHANGE	REV	REFERENCE																																																																																																																																																																																																																																																																																																																																																																																																																																	
MJV0	28OCT16	INITIAL RELEASE.	A	93698L																																																																																																																																																																																																																																																																																																																																																																																																																																	
DRAWN	NAME																																																																																																																																																																																																																																																																																																																																																																																																																																				
23136977	CIRCUIT DIAGRAM, M-PVT-SS																																																																																																																																																																																																																																																																																																																																																																																																																																				
RELEASE NO.	DATE	PART NO.	SHEET																																																																																																																																																																																																																																																																																																																																																																																																																																		
9363BL	20SEP16	AE08082624	85A																																																																																																																																																																																																																																																																																																																																																																																																																																		

Figure 422 Connector Composites (6000)

13.116. CONNECTOR COMPOSITES (6001 / 6018), P. 86

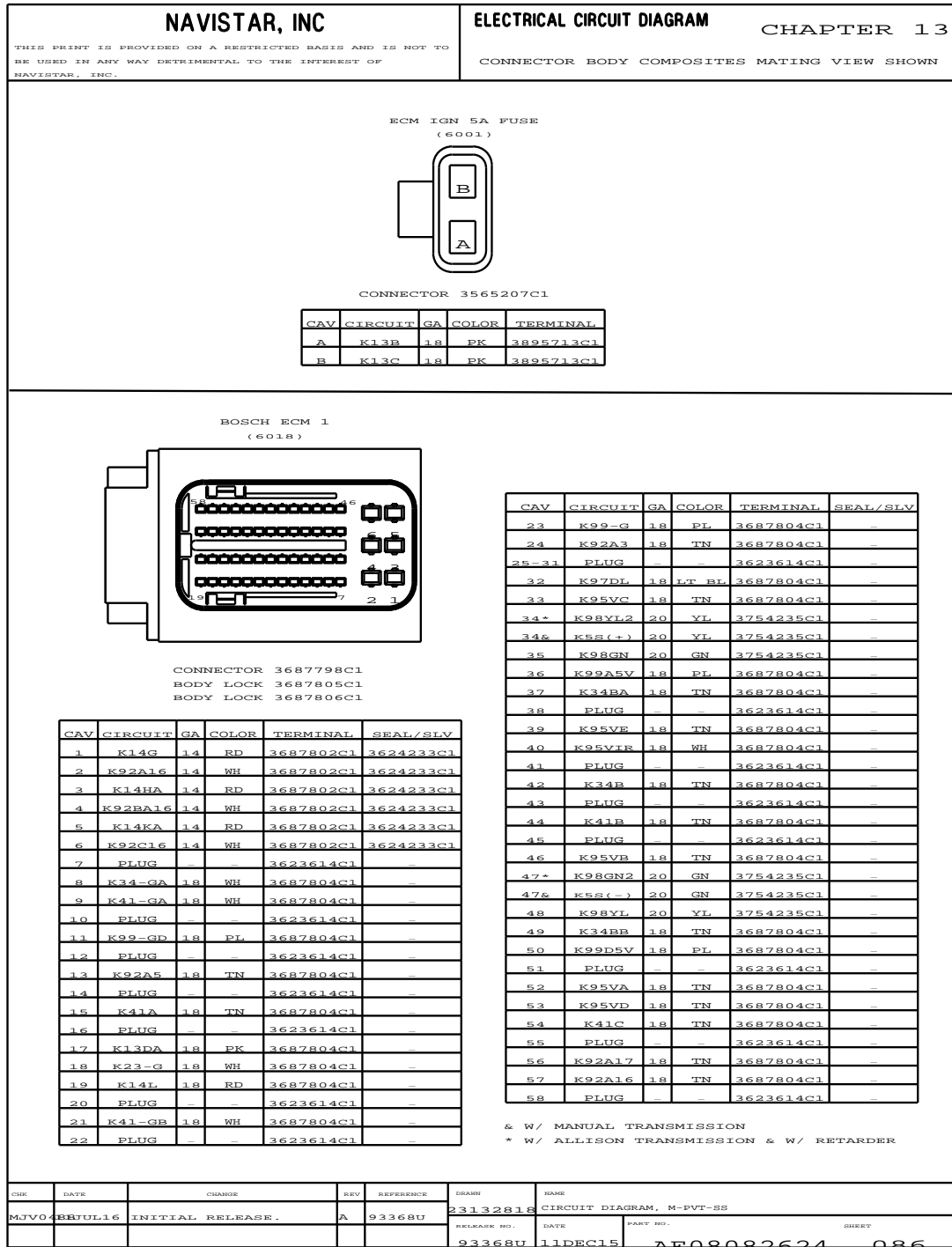


Figure 423 Connector Composites (6001 / 6018)

13.117. CONNECTOR COMPOSITES (6018), P. 86A

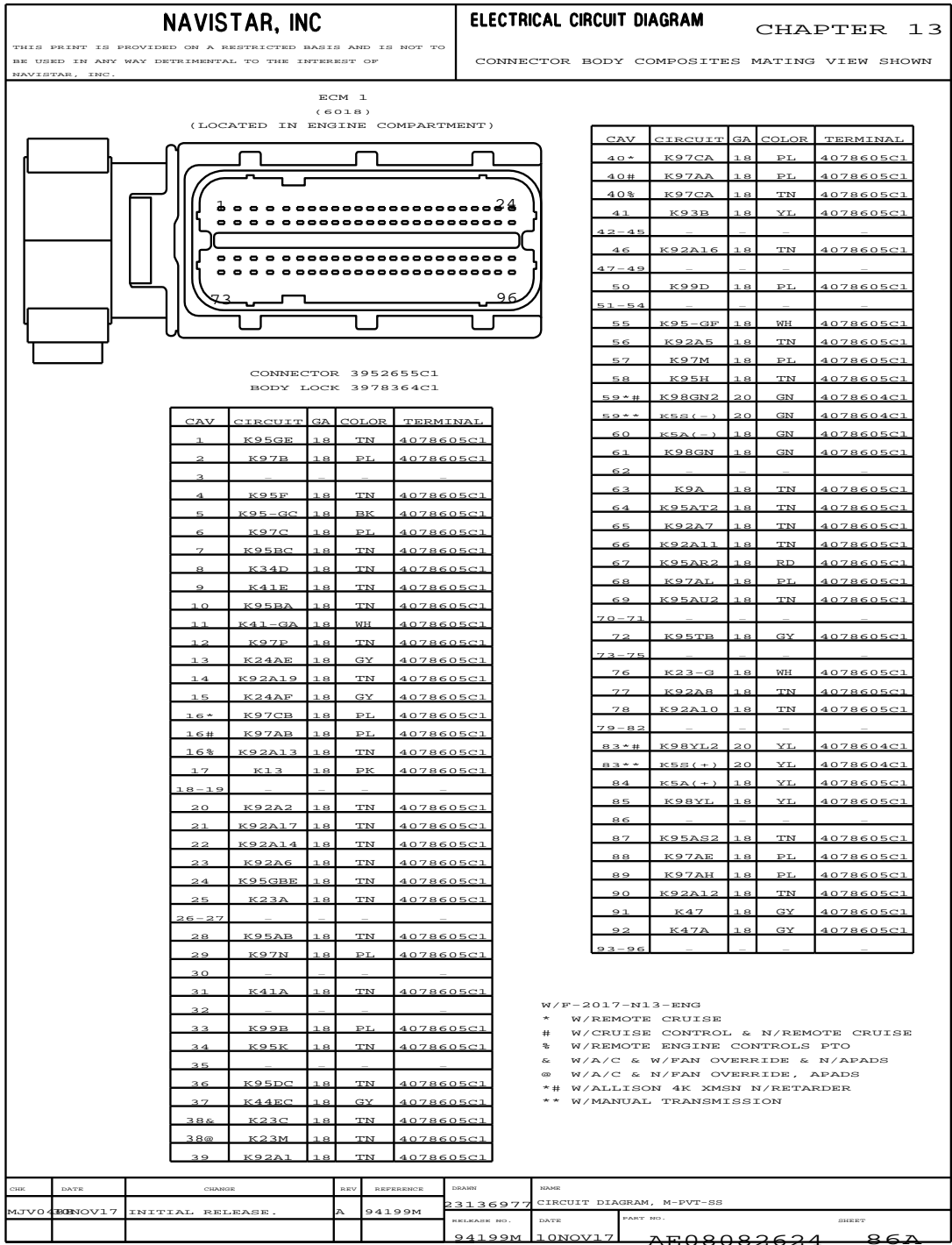


Figure 424 Connector Composites (6018)

13.118. CONNECTOR COMPOSITES (6019), P. 87

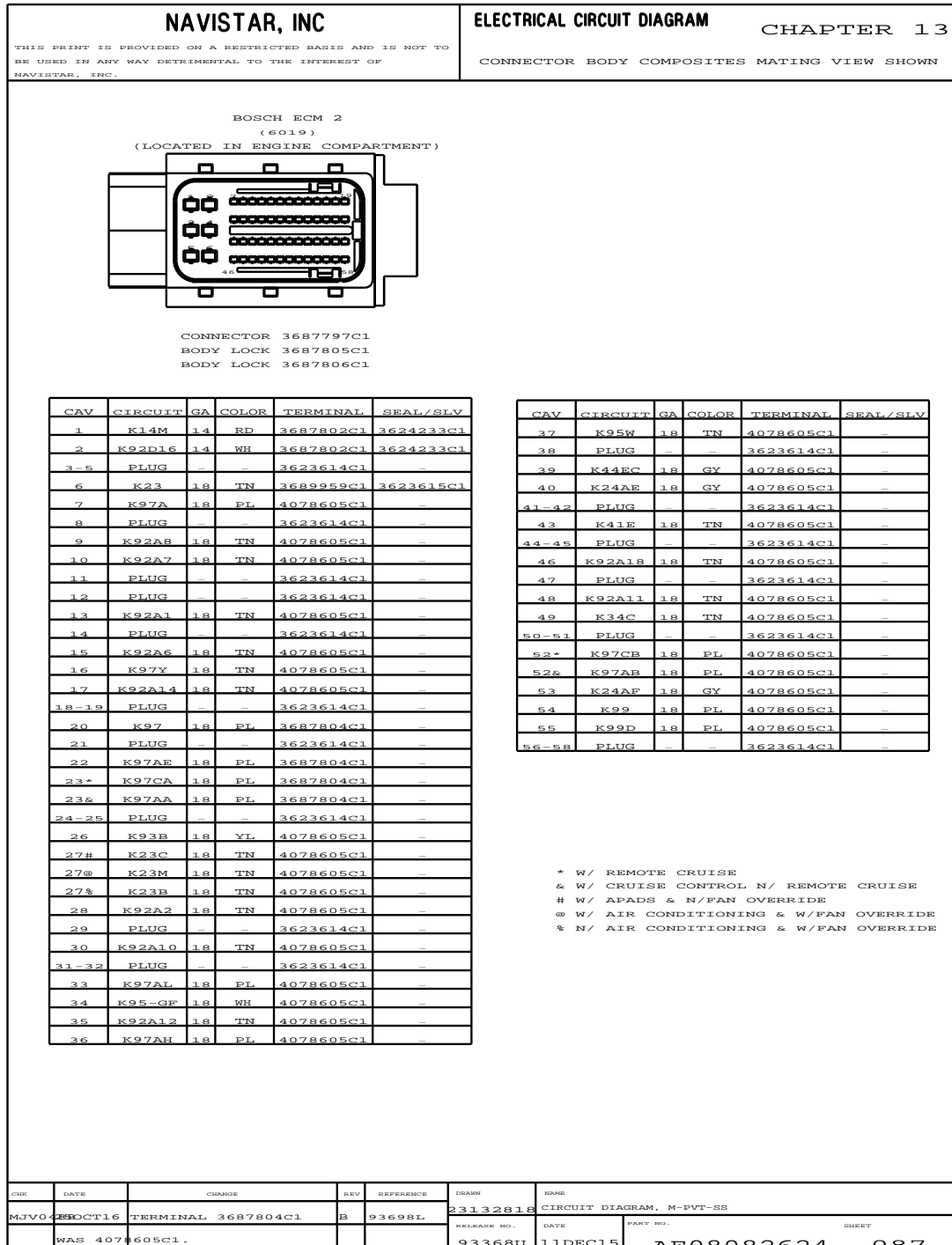


Figure 425 Connector Composites (6019)

13.119. CONNECTOR COMPOSITES (*6019), P. 87A

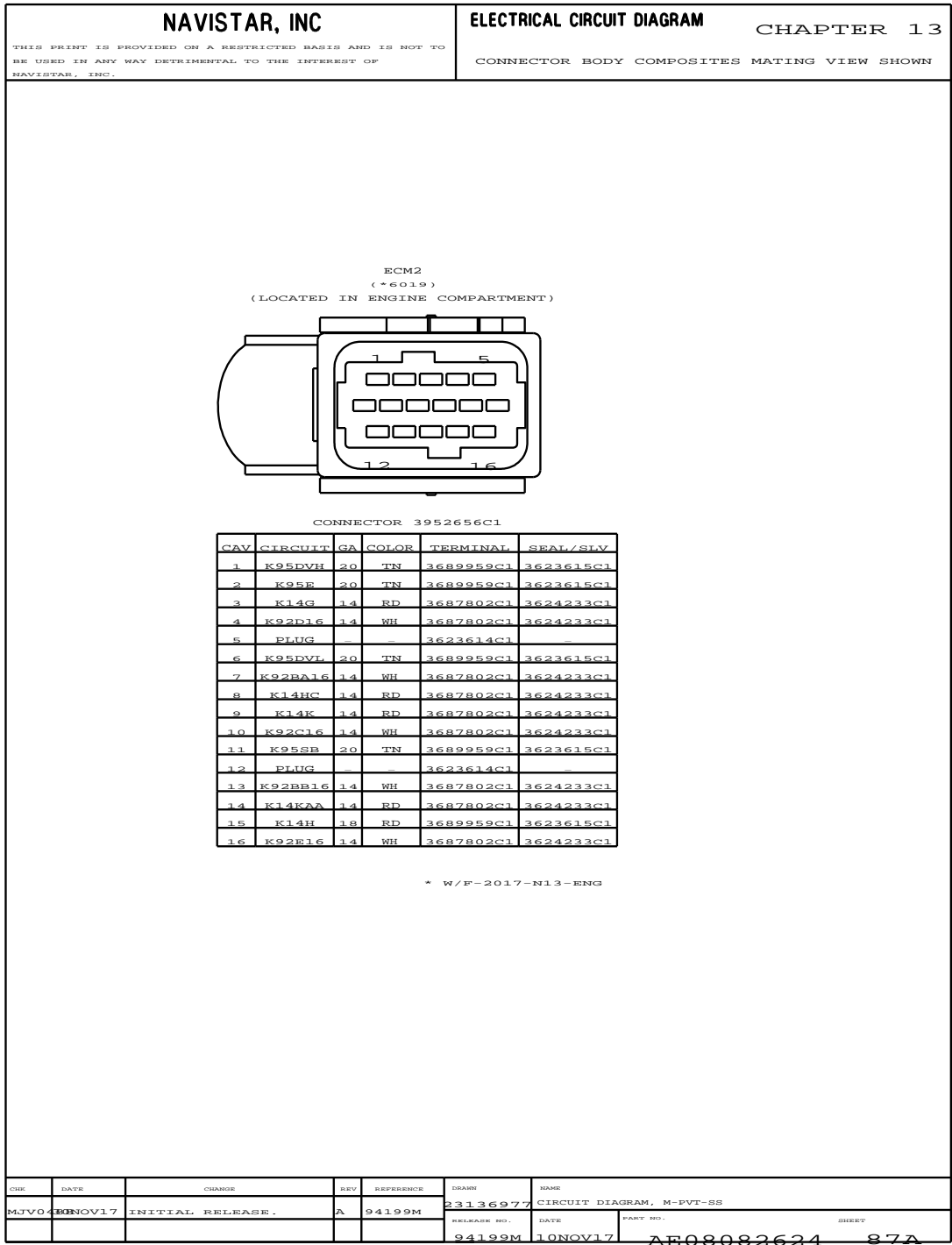


Figure 426 Connector Composites (*6019)

13.120. CONNECTOR COMPOSITES (*6033 / 6033 / *6104 / 6200 / %6200), P. 88

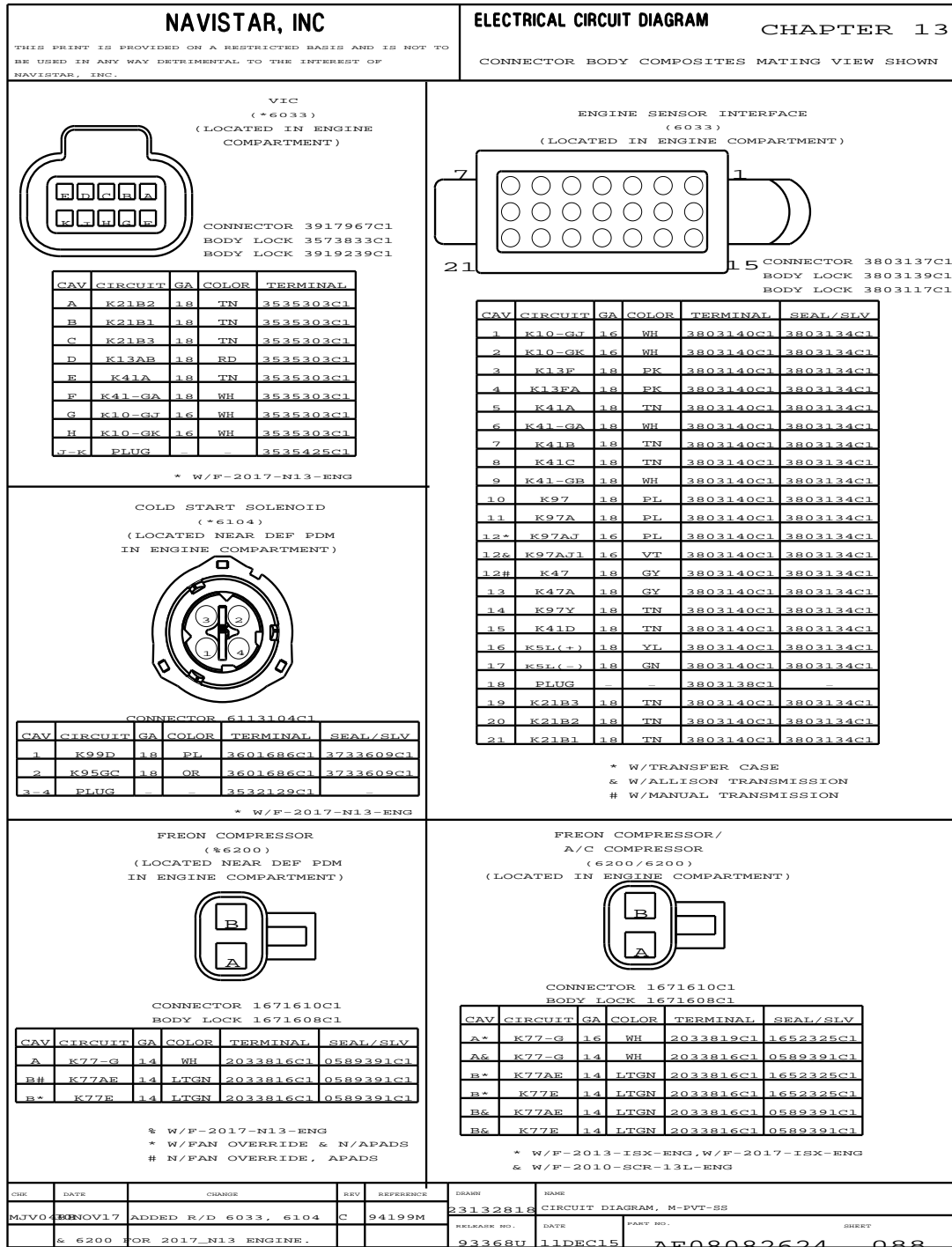


Figure 427 Connector Composites (*6033 / 6033 / *6104 / 6200 / %6200)

13.121. CONNECTOR COMPOSITES (6260A / 6260F / 6260FP), P. 89

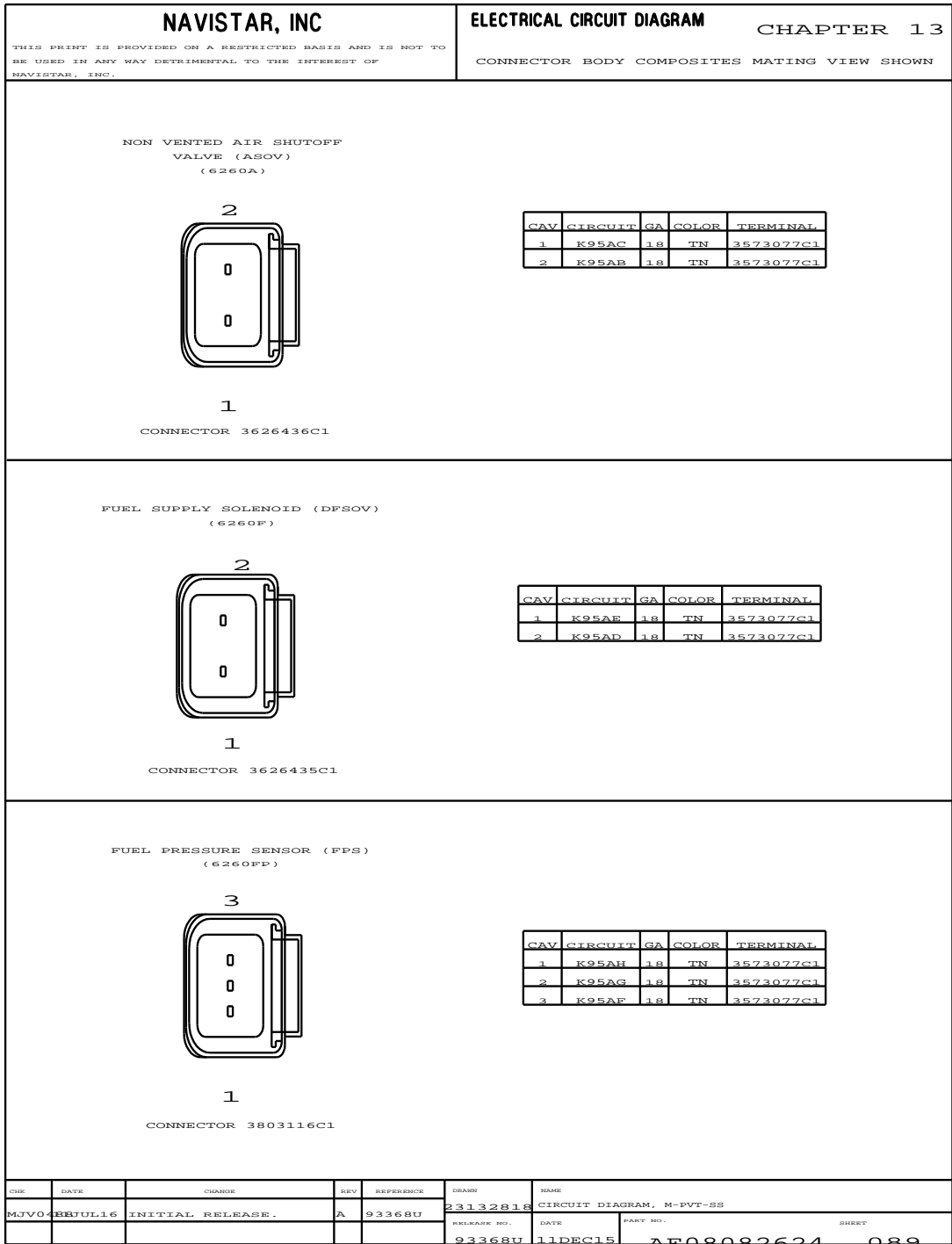


Figure 428 Connector Composites (6260A / 6260F / 6260FP)

13.122. CONNECTOR COMPOSITES (*6260H / *6260VN / *6316M), P. 90

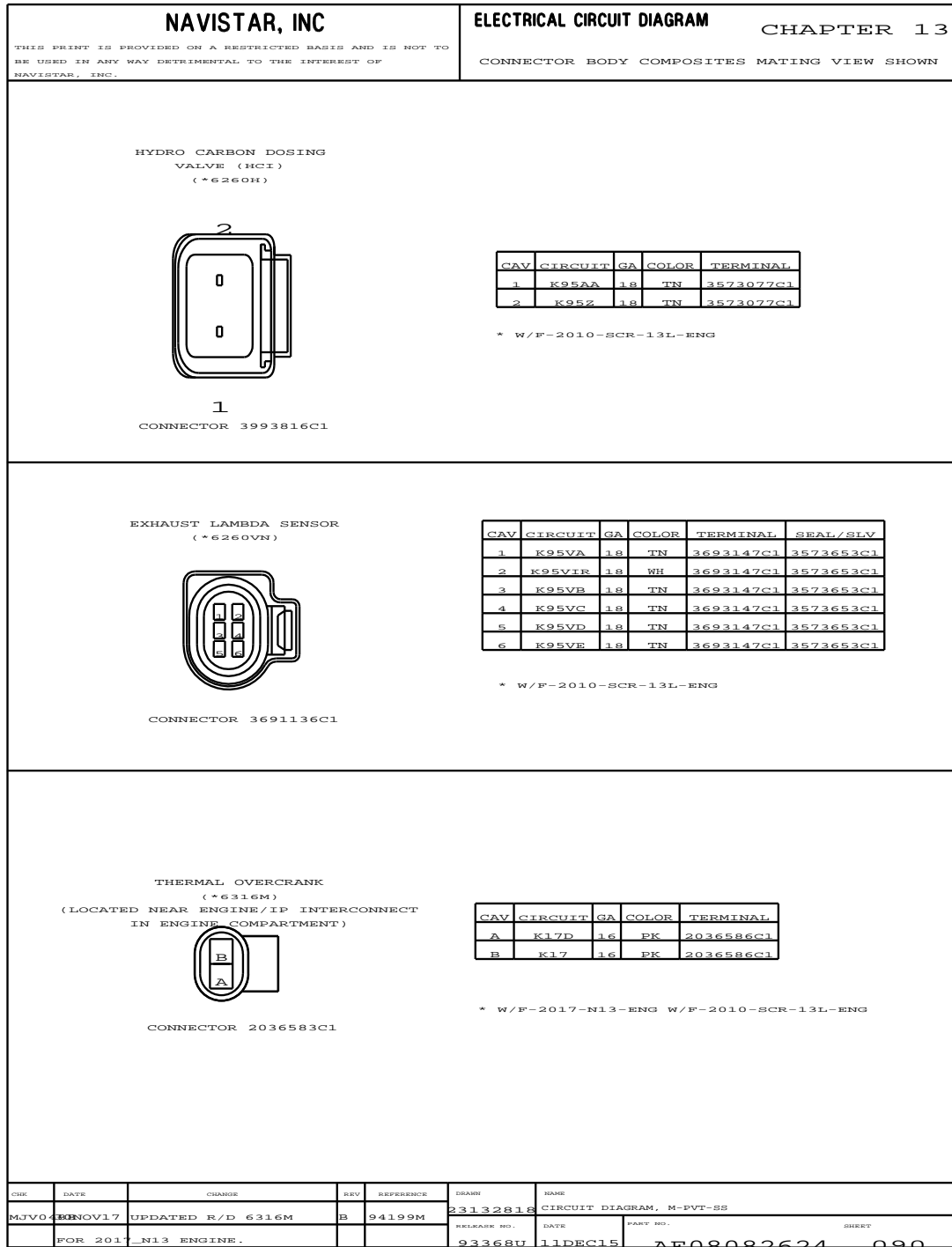


Figure 429 Connector Composites (*6260H / *6260VN / *6316M)

13.123. CONNECTOR COMPOSITES (*6400 / *6401 / *6550 / *6566), P. 91

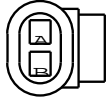
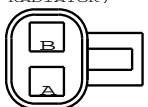
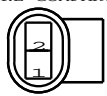
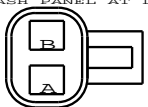

NAVISTAR, INC				ELECTRICAL CIRCUIT DIAGRAM		CHAPTER 13																															
THIS PRINT IS PROVIDED ON A RESTRICTED BASIS AND IS NOT TO BE USED IN ANY WAY DETRIMENTAL TO THE INTEREST OF NAVISTAR, INC.				CONNECTOR BODY COMPOSITES MATING VIEW SHOWN																																	
<p>FAN SOLENOID (*6400) (LOCATED ON FRONT SIDE OF ENGINE)</p>  <p>CONNECTOR 3522068C1 BODY LOCK 1661874C1</p>				<table border="1" style="width:100%; border-collapse: collapse; font-size: x-small;"> <thead> <tr> <th>CAV</th> <th>CIRCUIT</th> <th>GA</th> <th>COLOR</th> <th>TERMINAL</th> <th>SEAL/SLV</th> </tr> </thead> <tbody> <tr> <td>A</td> <td>K23</td> <td>20</td> <td>TN</td> <td>1661875C1</td> <td>3568570C1</td> </tr> <tr> <td>B</td> <td>K23-G</td> <td>20</td> <td>TN</td> <td>1661875C1</td> <td>3568570C1</td> </tr> </tbody> </table> <p style="font-size: x-small; text-align: center;">* W/F-2017-ISX-ENG W/F-2013-ISX-ENG</p>				CAV	CIRCUIT	GA	COLOR	TERMINAL	SEAL/SLV	A	K23	20	TN	1661875C1	3568570C1	B	K23-G	20	TN	1661875C1	3568570C1												
CAV	CIRCUIT	GA	COLOR	TERMINAL	SEAL/SLV																																
A	K23	20	TN	1661875C1	3568570C1																																
B	K23-G	20	TN	1661875C1	3568570C1																																
<p>COOLANT LEVEL SENSOR (*6401) (LOCATED IN ENGINE COMPARTMENT NEAR TO RADIATOR)</p>  <p>CONNECTOR 1671610C1 BODY LOCK 1671608C1</p>				<table border="1" style="width:100%; border-collapse: collapse; font-size: x-small;"> <thead> <tr> <th>CAV</th> <th>CIRCUIT</th> <th>GA</th> <th>COLOR</th> <th>TERMINAL</th> <th>SEAL/SLV</th> </tr> </thead> <tbody> <tr> <td>A</td> <td>K34F</td> <td>18</td> <td>TN</td> <td>2033819C1</td> <td>3517771C1</td> </tr> <tr> <td>B</td> <td>K34E</td> <td>18</td> <td>TN</td> <td>2033819C1</td> <td>3517771C1</td> </tr> </tbody> </table> <p style="font-size: x-small; text-align: center;">* W/F-2017-ISX-ENG W/F-2013-ISX-ENG</p>				CAV	CIRCUIT	GA	COLOR	TERMINAL	SEAL/SLV	A	K34F	18	TN	2033819C1	3517771C1	B	K34E	18	TN	2033819C1	3517771C1												
CAV	CIRCUIT	GA	COLOR	TERMINAL	SEAL/SLV																																
A	K34F	18	TN	2033819C1	3517771C1																																
B	K34E	18	TN	2033819C1	3517771C1																																
<p>LOW COOLANT SENDER (*6407) (LOCATED NEAR DEF PDM IN ENGINE COMPARTMENT)</p>  <p>CONNECTOR 3554317C1</p>				<table border="1" style="width:100%; border-collapse: collapse; font-size: x-small;"> <thead> <tr> <th>CAV</th> <th>CIRCUIT</th> <th>GA</th> <th>COLOR</th> <th>TERMINAL</th> <th>SEAL/SLV</th> </tr> </thead> <tbody> <tr> <td>1</td> <td>K34D</td> <td>18</td> <td>TN</td> <td>3554322C1</td> <td>3554318C1</td> </tr> <tr> <td>2</td> <td>K34C</td> <td>18</td> <td>TN</td> <td>3554322C1</td> <td>3554318C1</td> </tr> </tbody> </table> <p style="font-size: x-small; text-align: center;">* W/F-2017-N13-ENG</p>				CAV	CIRCUIT	GA	COLOR	TERMINAL	SEAL/SLV	1	K34D	18	TN	3554322C1	3554318C1	2	K34C	18	TN	3554322C1	3554318C1												
CAV	CIRCUIT	GA	COLOR	TERMINAL	SEAL/SLV																																
1	K34D	18	TN	3554322C1	3554318C1																																
2	K34C	18	TN	3554322C1	3554318C1																																
<p>ETHER START (*6550) (LOCATED ON DASH PANEL AT LEFT SIDE)</p>  <p>CONNECTOR 1671610C1 BODY LOCK 1671608C1</p>				<table border="1" style="width:100%; border-collapse: collapse; font-size: x-small;"> <thead> <tr> <th>CAV</th> <th>CIRCUIT</th> <th>GA</th> <th>COLOR</th> <th>TERMINAL</th> <th>SEAL/SLV</th> </tr> </thead> <tbody> <tr> <td>A</td> <td>K21</td> <td>16</td> <td>TN</td> <td>2033819C1</td> <td>1652325C1</td> </tr> <tr> <td>B</td> <td>K21A</td> <td>16</td> <td>TN</td> <td>2033819C1</td> <td>1652325C1</td> </tr> </tbody> </table> <p style="font-size: x-small; text-align: center;">* W/F-2017-ISX-ENG W/F-2013-ISX-ENG</p>				CAV	CIRCUIT	GA	COLOR	TERMINAL	SEAL/SLV	A	K21	16	TN	2033819C1	1652325C1	B	K21A	16	TN	2033819C1	1652325C1												
CAV	CIRCUIT	GA	COLOR	TERMINAL	SEAL/SLV																																
A	K21	16	TN	2033819C1	1652325C1																																
B	K21A	16	TN	2033819C1	1652325C1																																
<p>PDM 14 WAY (*6566) (LOCATED ON DASH PANEL NEAR TO DEF PDM CONNECTOR)</p>  <p>CONNECTOR 6113338C1</p>				<table border="1" style="width:100%; border-collapse: collapse; font-size: x-small;"> <thead> <tr> <th>CAV</th> <th>CIRCUIT</th> <th>GA</th> <th>COLOR</th> <th>TERMINAL</th> <th>SEAL/SLV</th> </tr> </thead> <tbody> <tr> <td>1</td> <td>K14</td> <td>10</td> <td>RD</td> <td>3752553C1</td> <td>6113347C1</td> </tr> <tr> <td>2</td> <td>PLUG</td> <td>-</td> <td>-</td> <td>6113348C1</td> <td>-</td> </tr> <tr> <td>3</td> <td>K14S</td> <td>10</td> <td>RD</td> <td>3752553C1</td> <td>6113347C1</td> </tr> <tr> <td>4</td> <td>PLUG</td> <td>-</td> <td>-</td> <td>6113348C1</td> <td>-</td> </tr> </tbody> </table> <p style="font-size: x-small; text-align: center;">* W/F-2017-ISX-ENG W/F-2013-ISX-ENG</p>				CAV	CIRCUIT	GA	COLOR	TERMINAL	SEAL/SLV	1	K14	10	RD	3752553C1	6113347C1	2	PLUG	-	-	6113348C1	-	3	K14S	10	RD	3752553C1	6113347C1	4	PLUG	-	-	6113348C1	-
CAV	CIRCUIT	GA	COLOR	TERMINAL	SEAL/SLV																																
1	K14	10	RD	3752553C1	6113347C1																																
2	PLUG	-	-	6113348C1	-																																
3	K14S	10	RD	3752553C1	6113347C1																																
4	PLUG	-	-	6113348C1	-																																
CHK	DATE	CHANGE	REV	REFERENCE	DRAWN	NAME																															
MJVD	08NOV17	UPDATED R/D 6407	C	94199M	23132818	CIRCUIT DIAGRAM, M-PVT-SS																															
	FOR 2017 N13 ENGINE.				RELEASE NO.	DATE	PART NO.																														
					93368U	11DEC15	AE08082624 091																														

Figure 430 Connector Composites (*6400 / *6401 / *6550 / *6566)

13.124. CONNECTOR COMPOSITES (6567 / 6704 / 6704B), P. 92

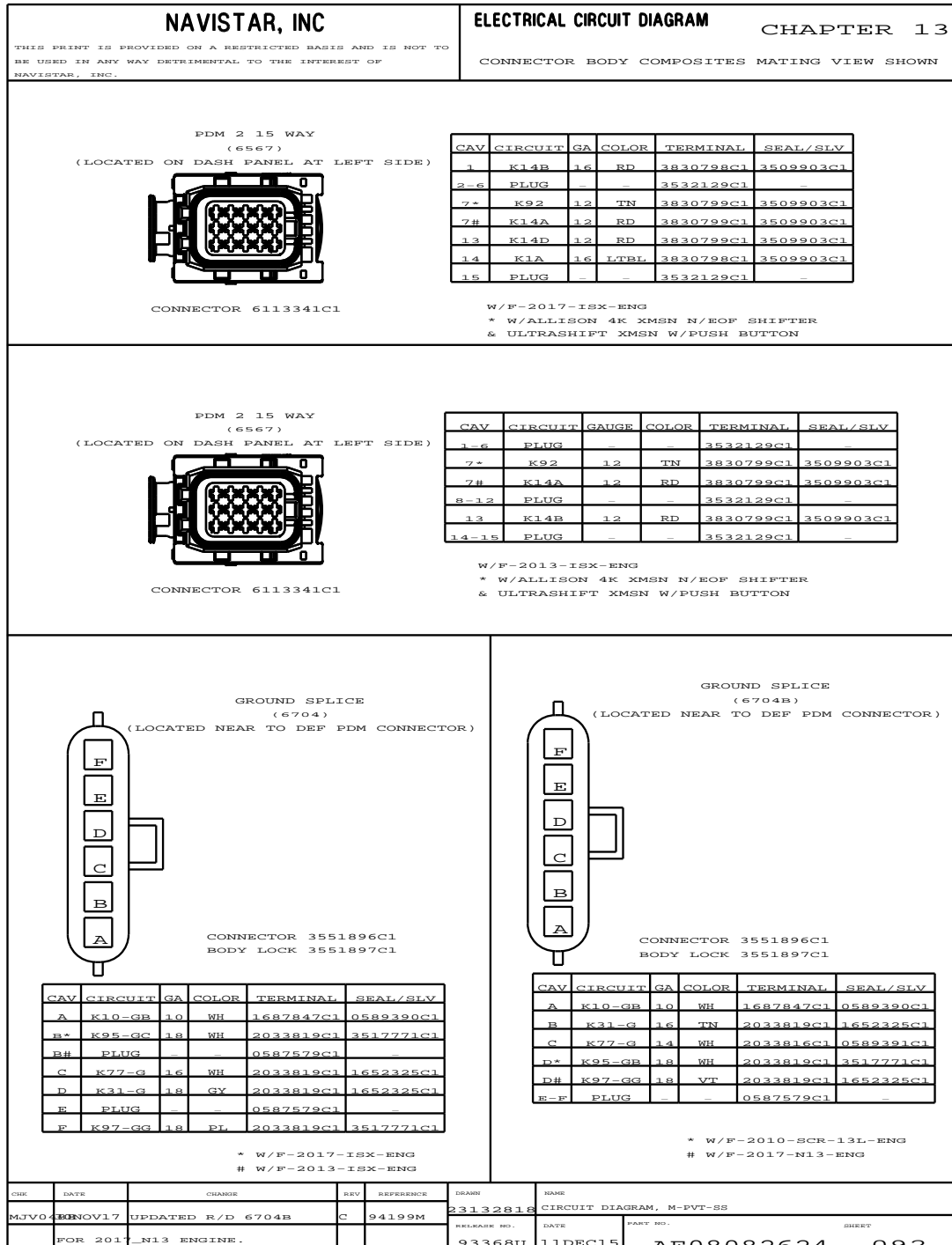


Figure 431 Connector Composites (6567 / 6704 / 6704B)

13.125. CONNECTOR COMPOSITES (6704D / 6704F / 6705B), P. 93

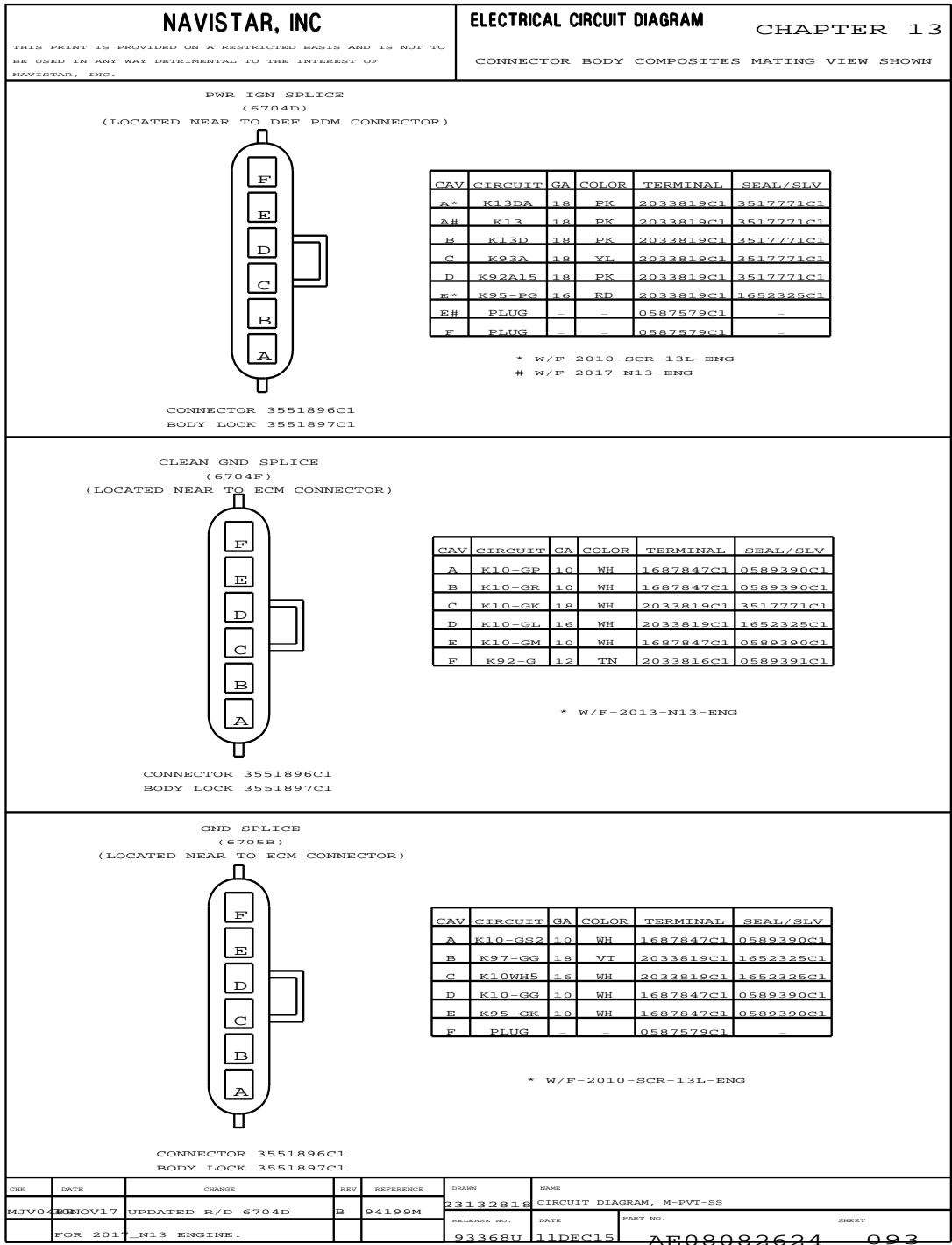


Figure 432 Connector Composites (6704D / 6704F / 6705B)

13.126. CONNECTOR COMPOSITES (6706 / 6707 / 6748 / *7100 / *7104F), P. 94

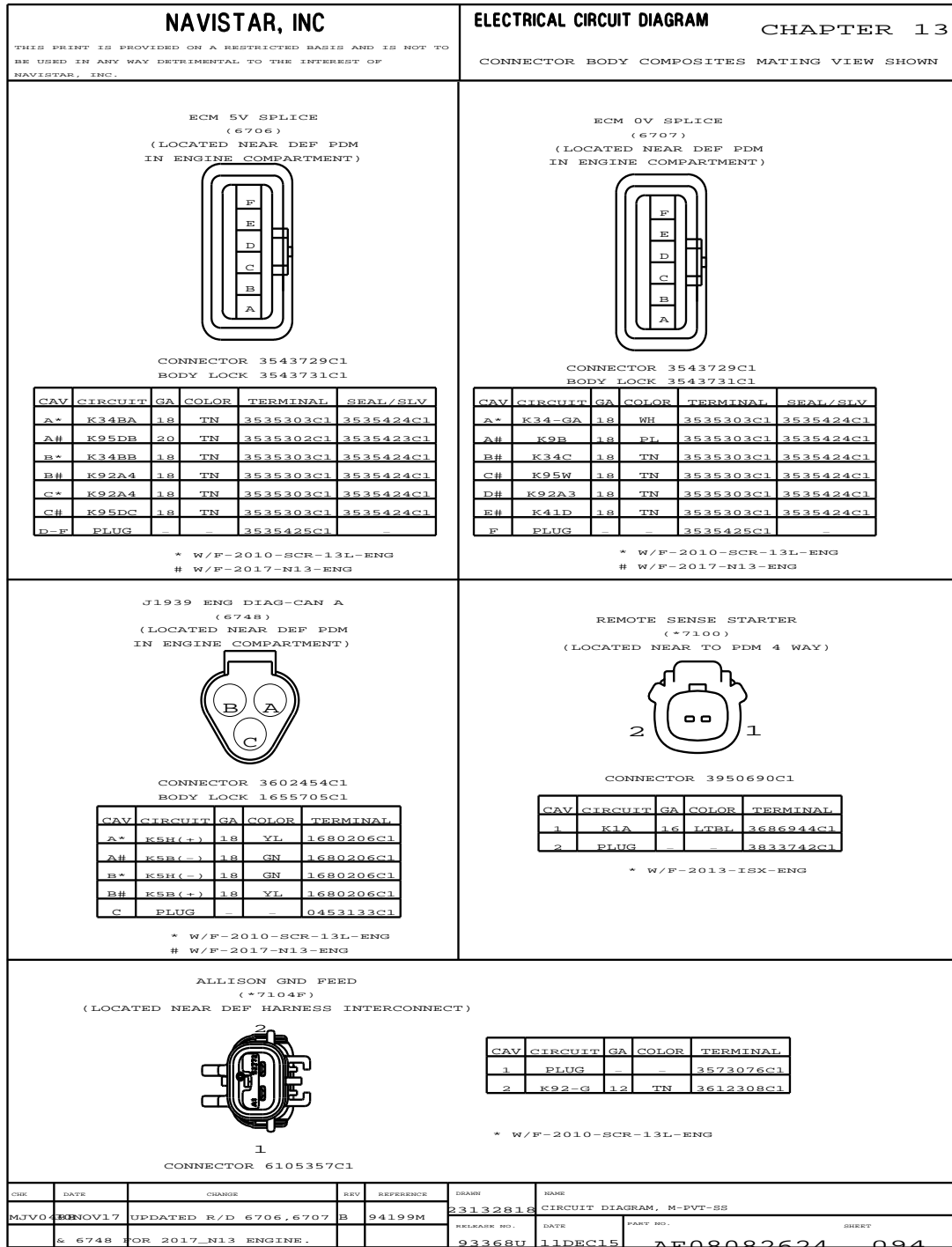


Figure 433 Connector Composites (6706 / 6707 / 6748 / *7100 / *7104F)

13.127. CONNECTOR COMPOSITES (7105 / *7110 / %7110AA / 7110B), P. 95

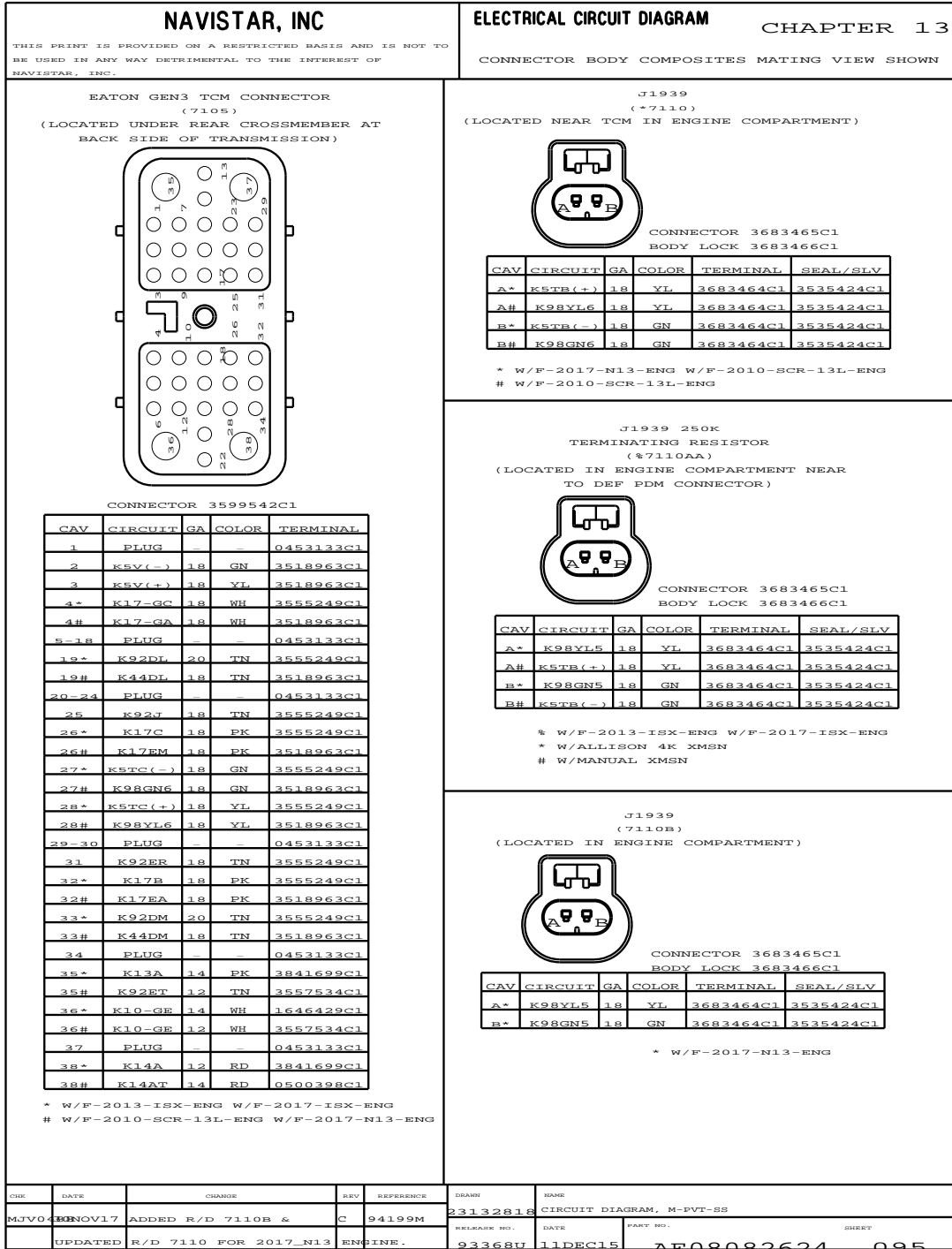


Figure 434 Connector Composites (7105 / *7110 / %7110AA / 7110B)

13.128. CONNECTOR COMPOSITES (7205F / 7206M / 7110B / *7211 / 7211A), P. 96

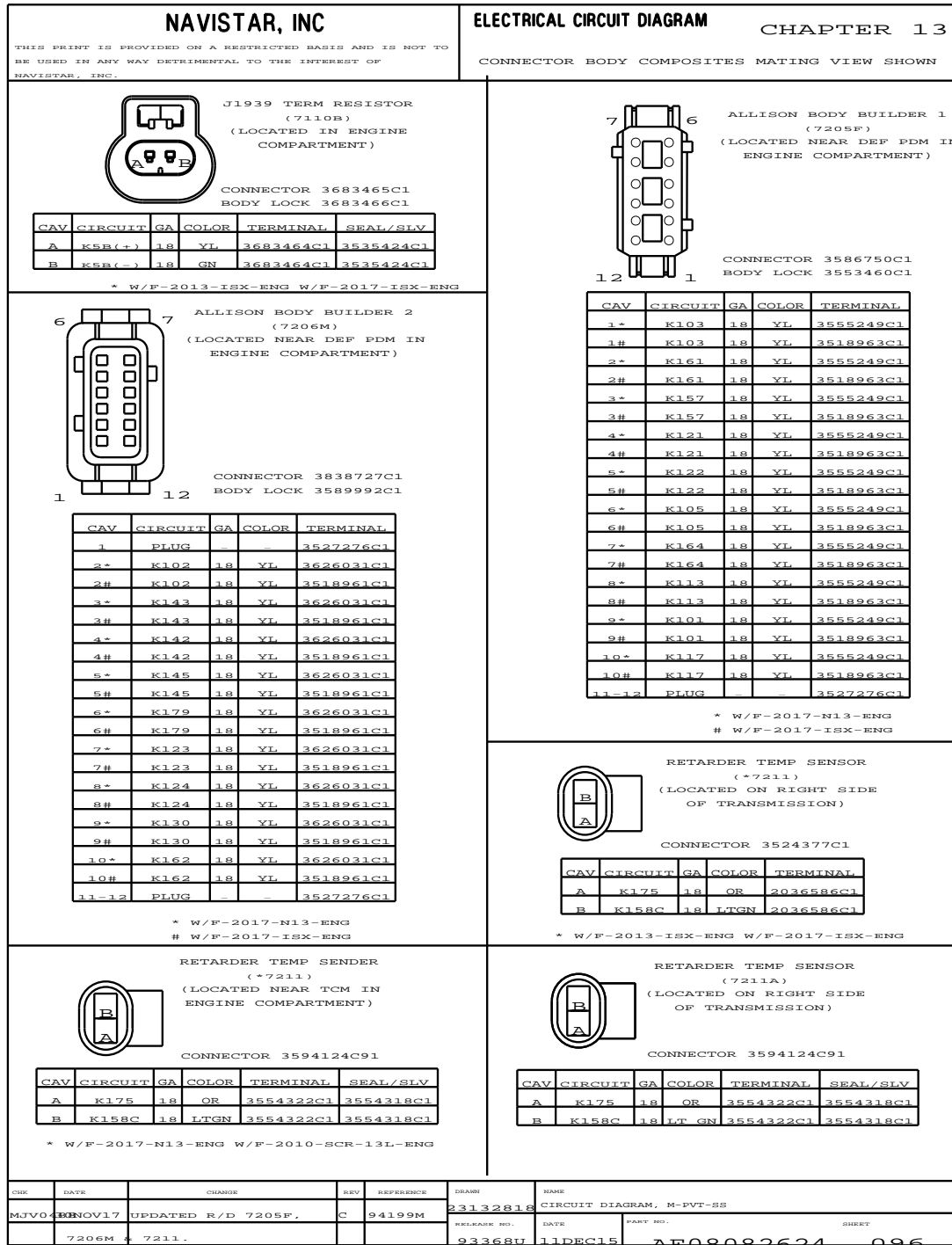


Figure 435 Connector Composites (7205F / 7206M / 7110B / *7211 / 7211A)

13.129. CONNECTOR COMPOSITES (*7212 / *7213 / #7213 / &7250), P. 96A

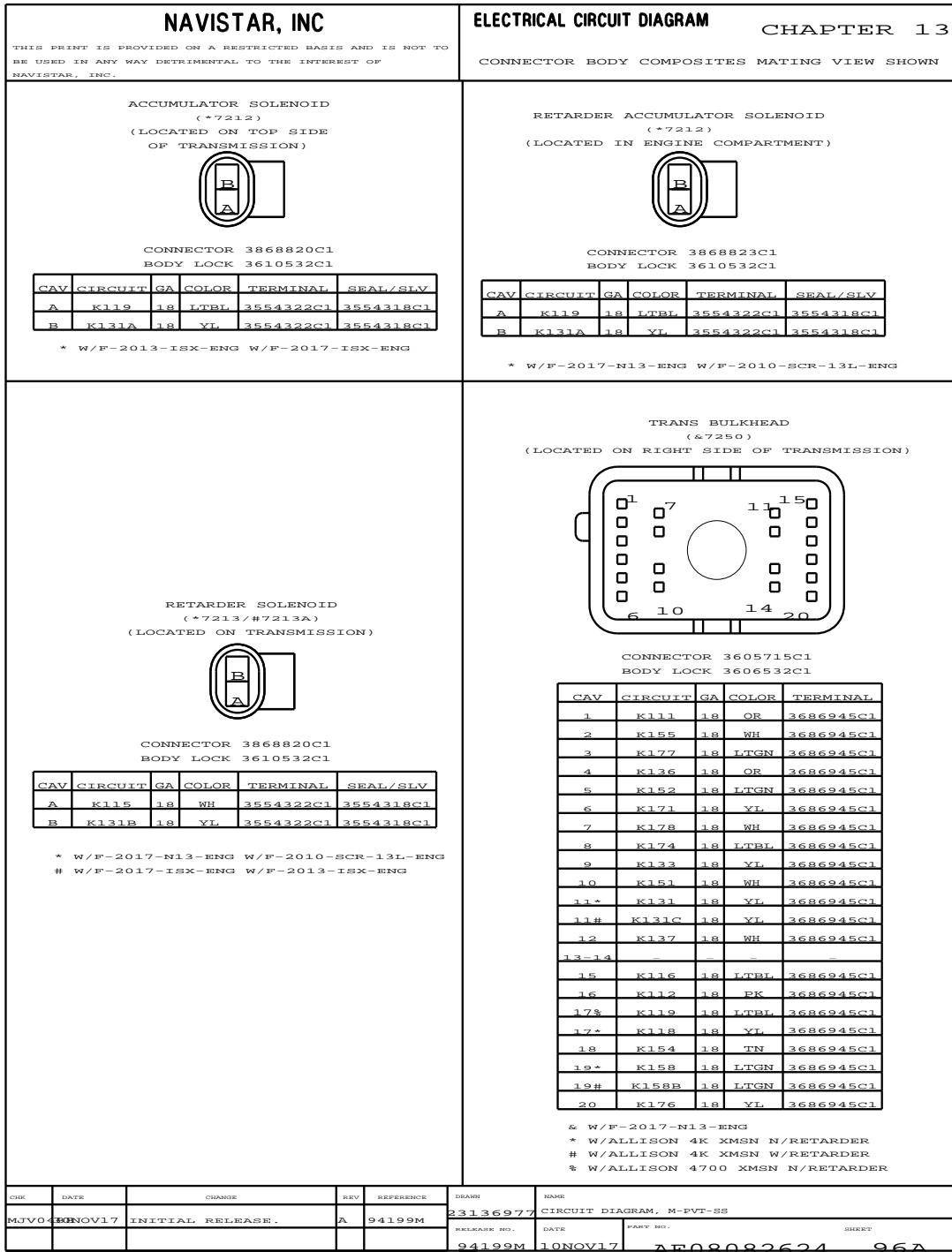


Figure 436 Connector Composites (*7212 / *7213 / #7213 / &7250)

13.130. CONNECTOR COMPOSITES (7250 / *7303 / *7500W), P. 96B

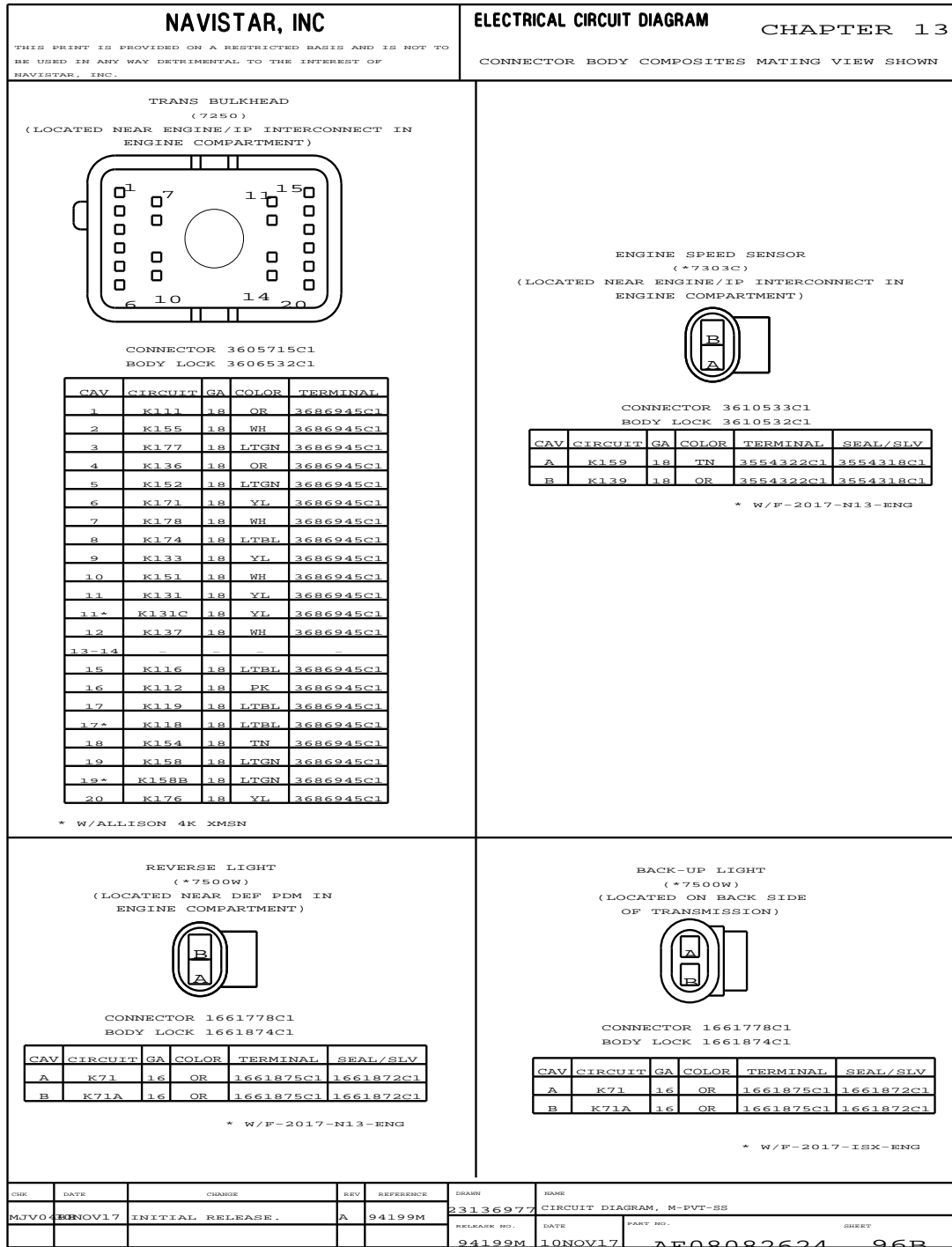


Figure 437 Connector Composites (7250 / *7303 / *7500W)

13.131. CONNECTOR COMPOSITES (7501 / 7600 / 7603 / 7603C / *7608 / 7608A / *7615 / 7615A / 7700K / *7700L), P. 97

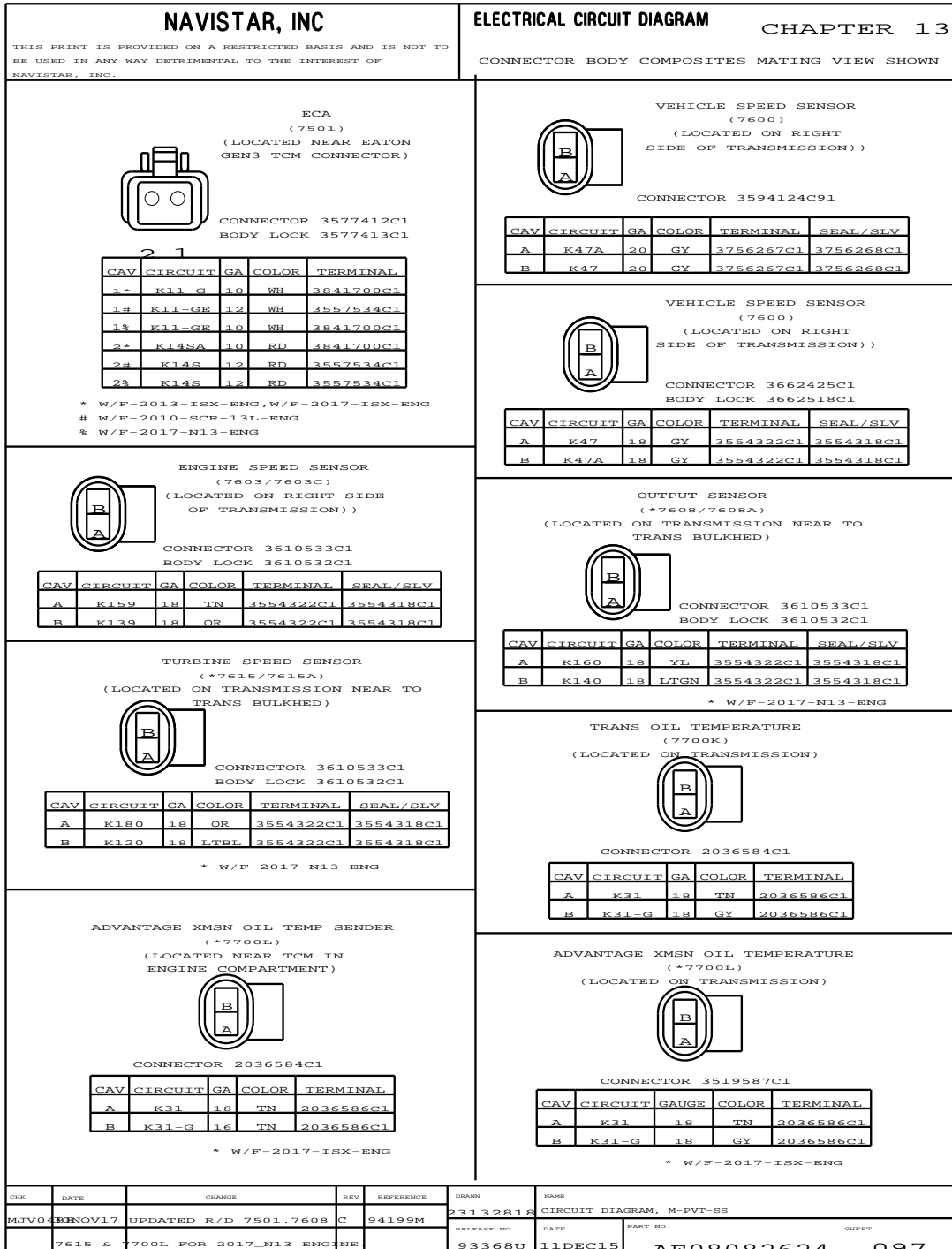


Figure 438 Connector Composites (7501 / 7600 / 7603 / 7603C / *7608 / 7608A / *7615 / 7615A / 7700K / *7700L)

13.132. CONNECTOR COMPOSITES (7704 / 8000 / 8102 / 8165), P. 98

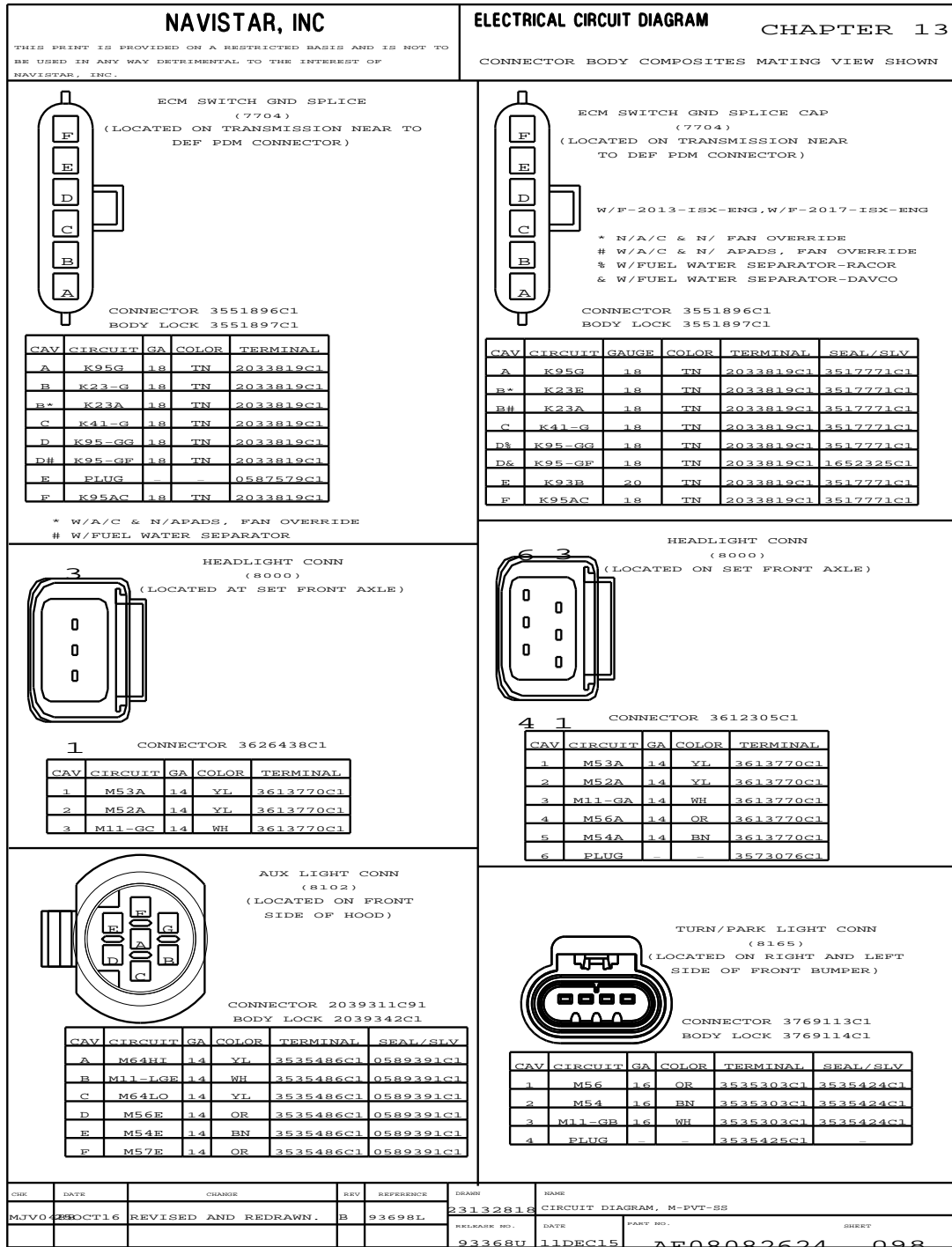


Figure 439 Connector Composites (7704 / 8000 / 8102 / 8165)

13.133. CONNECTOR COMPOSITES (8165 / 8200 / 8200A / 8201 / 8410 / 8500), P. 99

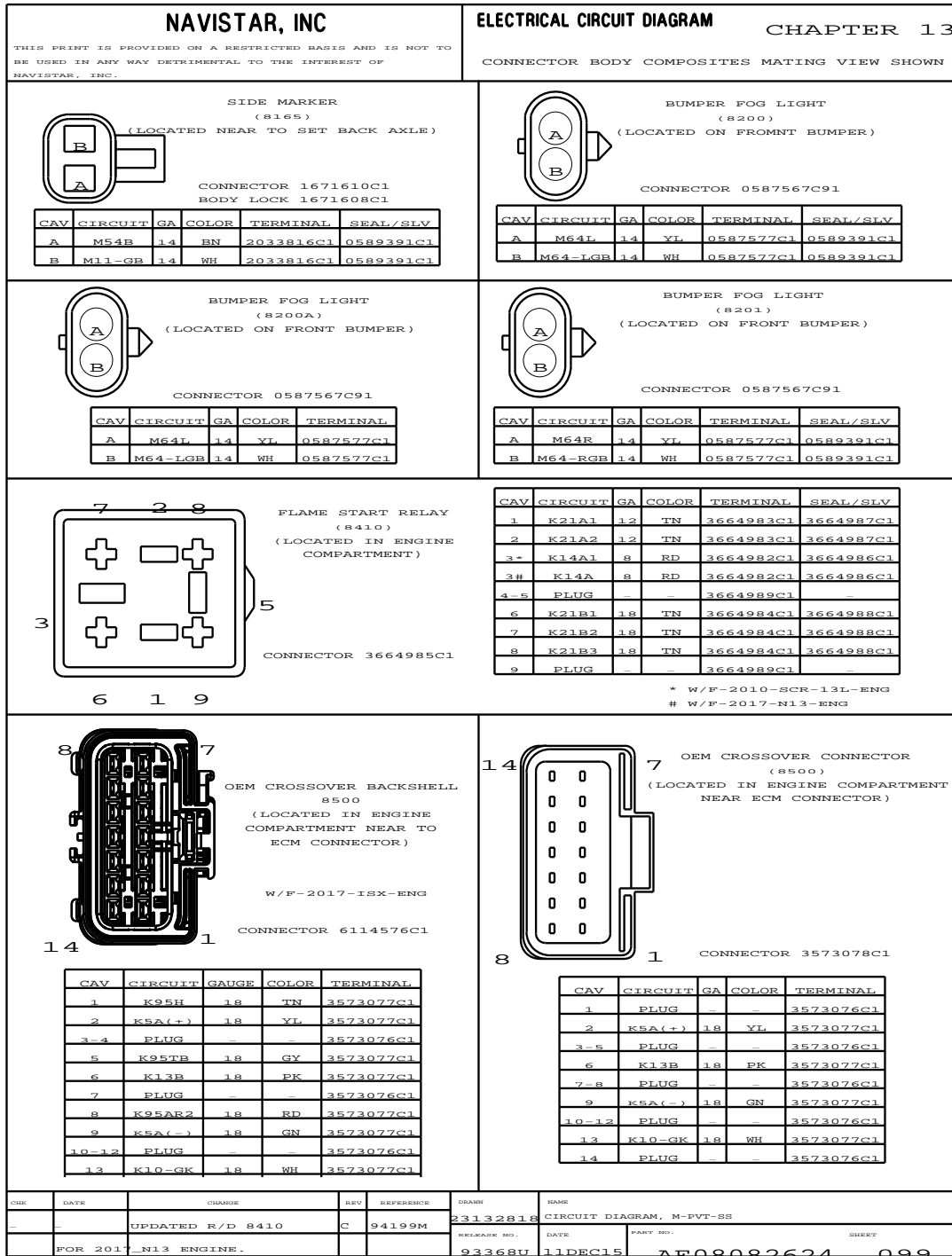


Figure 440 Connector Composites (8165 / 8200 / 8200A / 8201 / 8410 / 8500)

13.134. CONNECTOR COMPOSITES (8702 / 8802/ 8806 / 8807 / 8809), P. 99A

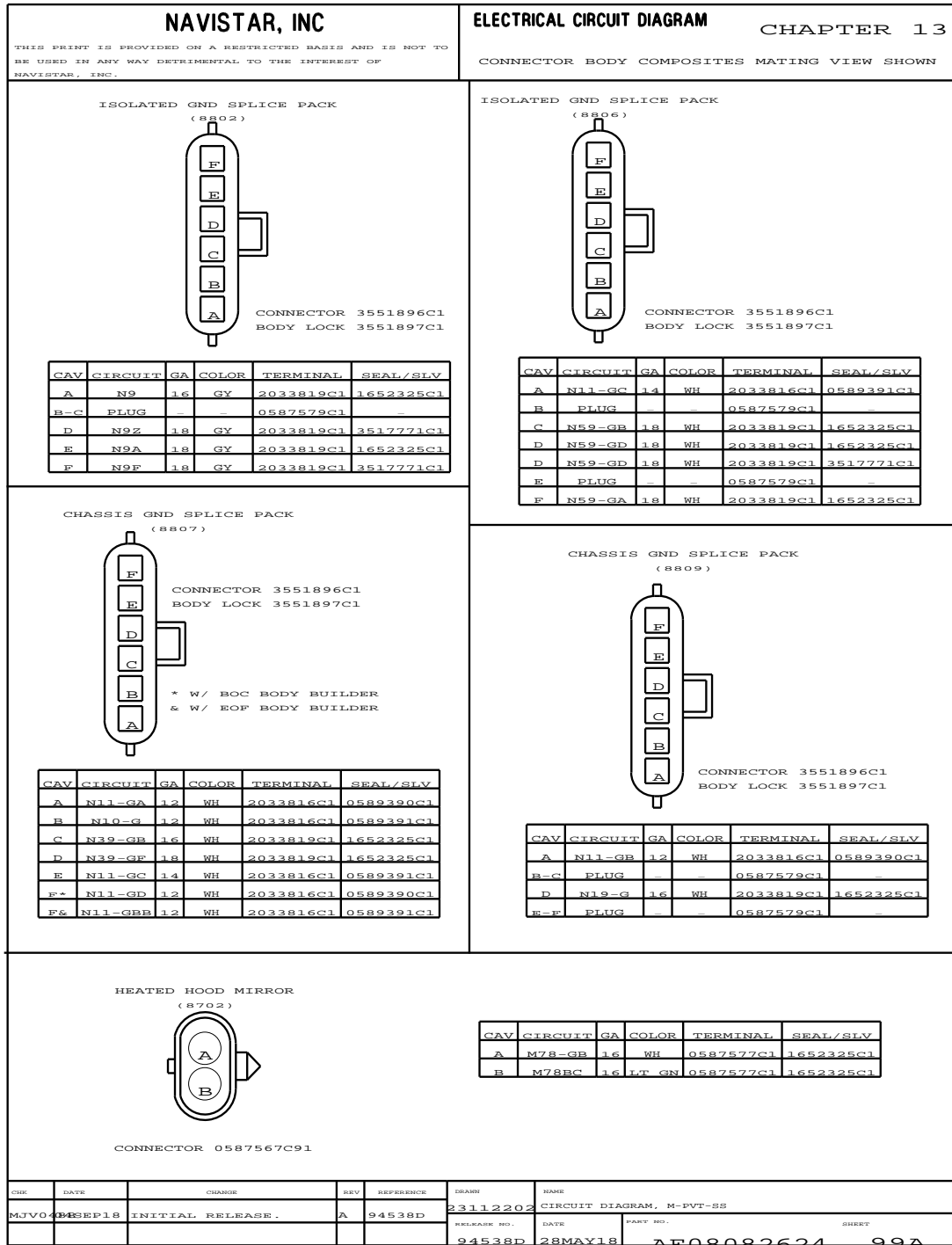


Figure 441 Connector Composites (8702 / 8802/ 8806 / 8807 / 8809)

13.135. CONNECTOR COMPOSITES (8881 / 8882), P. 99B

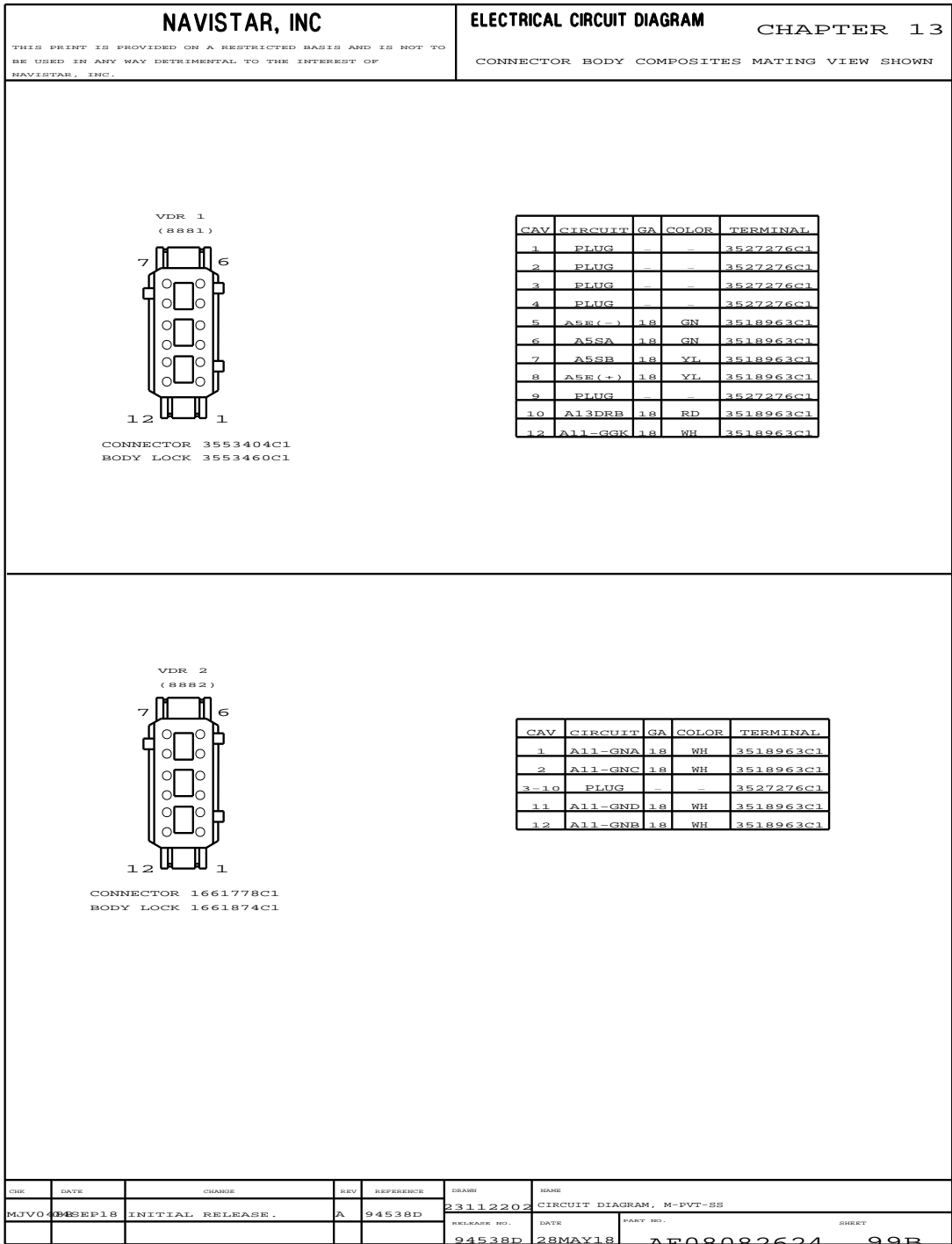


Figure 442 Connector Composites (8881 / 8882)

13.136. CONNECTOR COMPOSITES (8996), P. 99C

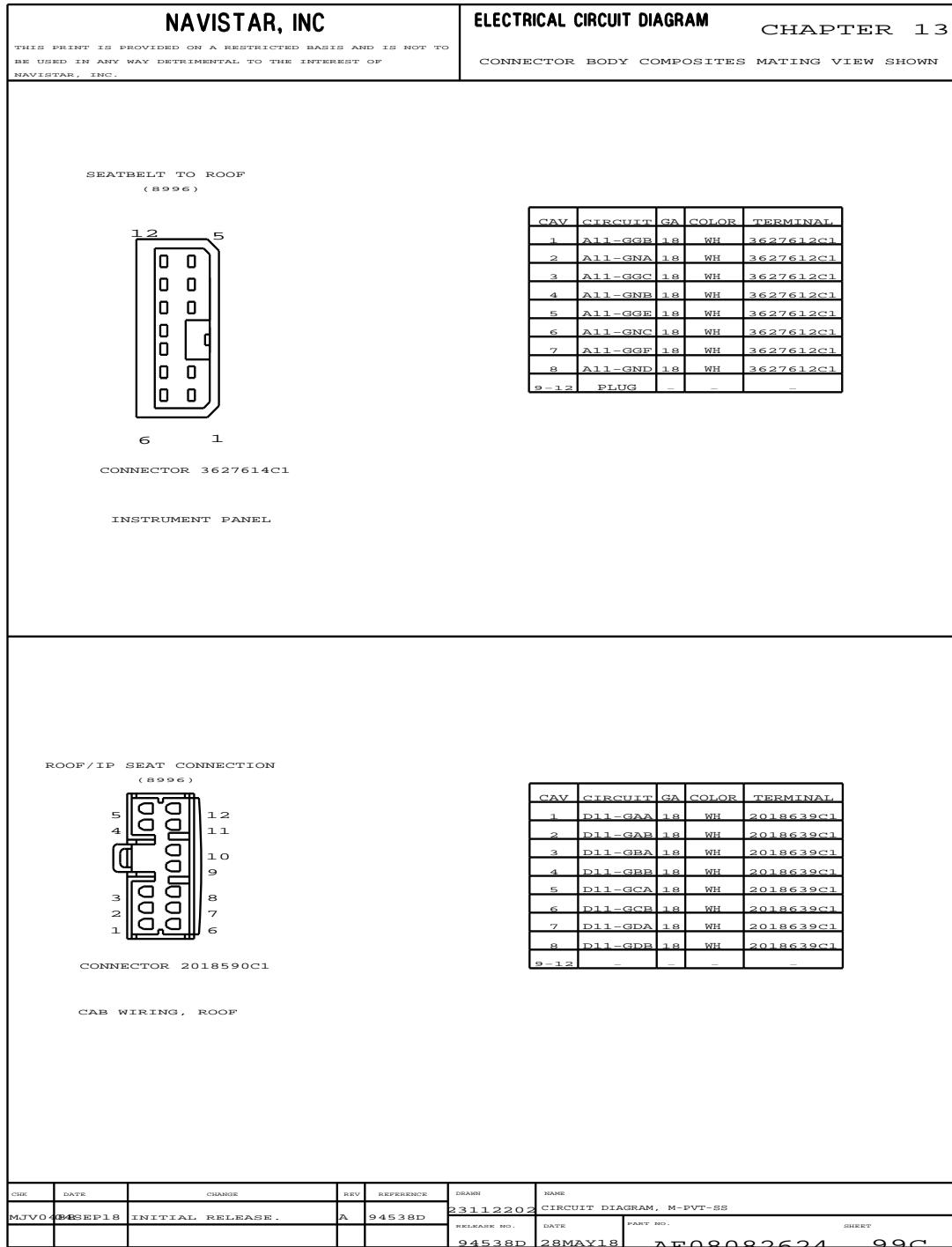


Figure 443 Connector Composites (8996)

13.137. INTENTIONALLY LEFT BLANK, P. 100

NAVISTAR, INC				ELECTRICAL CIRCUIT DIAGRAM				CHAPTER 11			
THIS PRINT IS PROVIDED ON A RESTRICTED BASIS AND IS NOT TO BE USED IN ANY WAY DETRIMENTAL TO THE INTEREST OF NAVISTAR, INC.								INTENTIONALLY LEFT BLANK			
<p>INTENTIONALLY LEFT BLANK</p>											
CHK	DATE	CHANGE	REV	REFERENCE	DRAWN	NAME					
MJV04	04SEP18	REMOVED GEOMETRY.	C	94538D	23112202	CIRCUIT DIAGRAM, M-PVT-SS.					
					RELEASE NO.	DATE	PART NO.	SHEET			
					94538D	28MAY18	AE08082624	100			

Figure 444 Intentionally Left Blank

13.138. CONNECTOR COMPOSITES (8810 / 8903 / 8956 / 9000 / 9001), P. 101

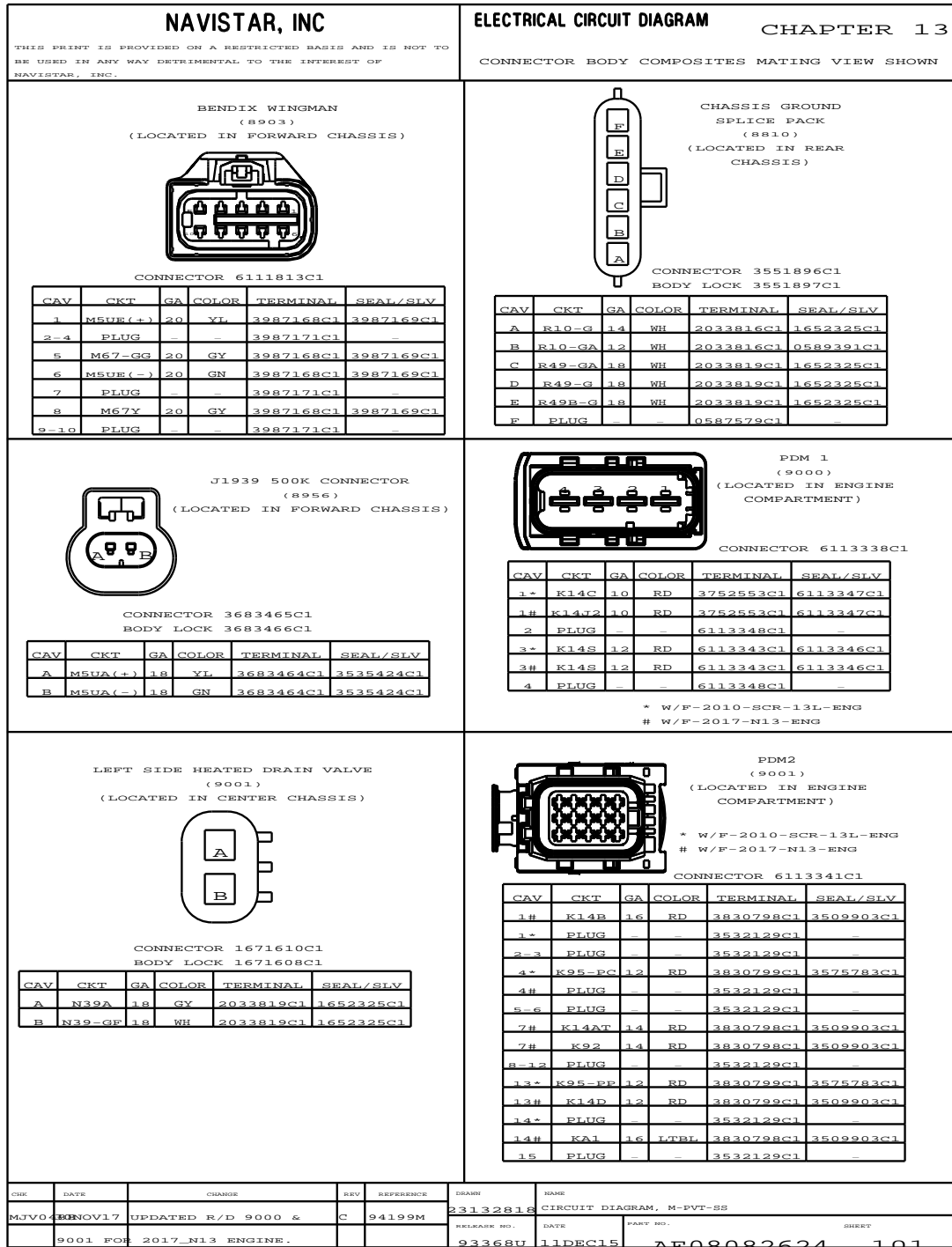


Figure 445 Connector Composites (8810 / 8903 / 8956 / 9000 / 9001)

13.139. CONNECTOR COMPOSITES (9002 / 9314A / 9314B), P. 102

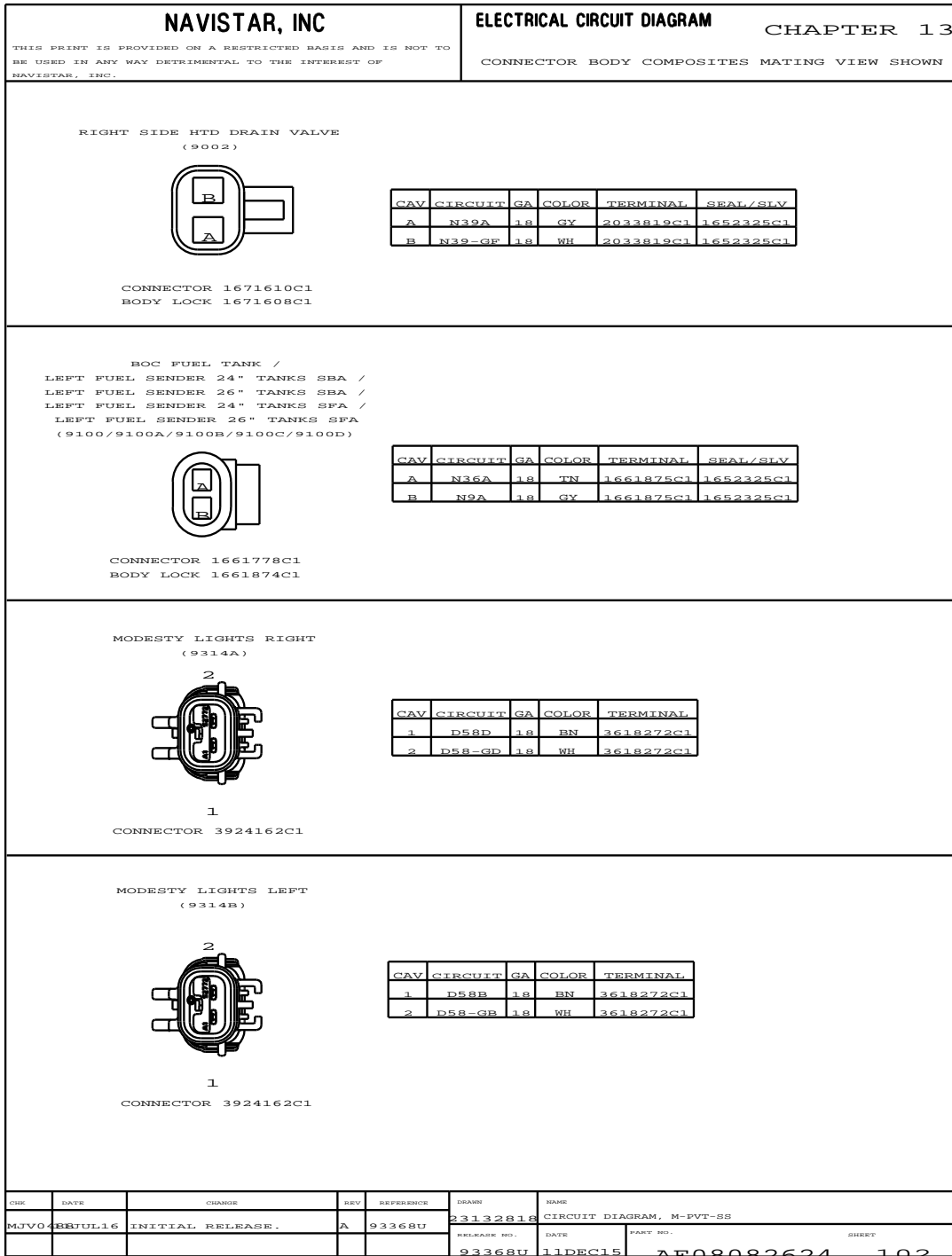


Figure 446 Connector Composites (9002 / 9314A / 9314B)

13.140. CONNECTOR COMPOSITES (9109A / 9303A / 9314A / 9314B / 9501A / 9501B / 9501C / 9501D), P. 103

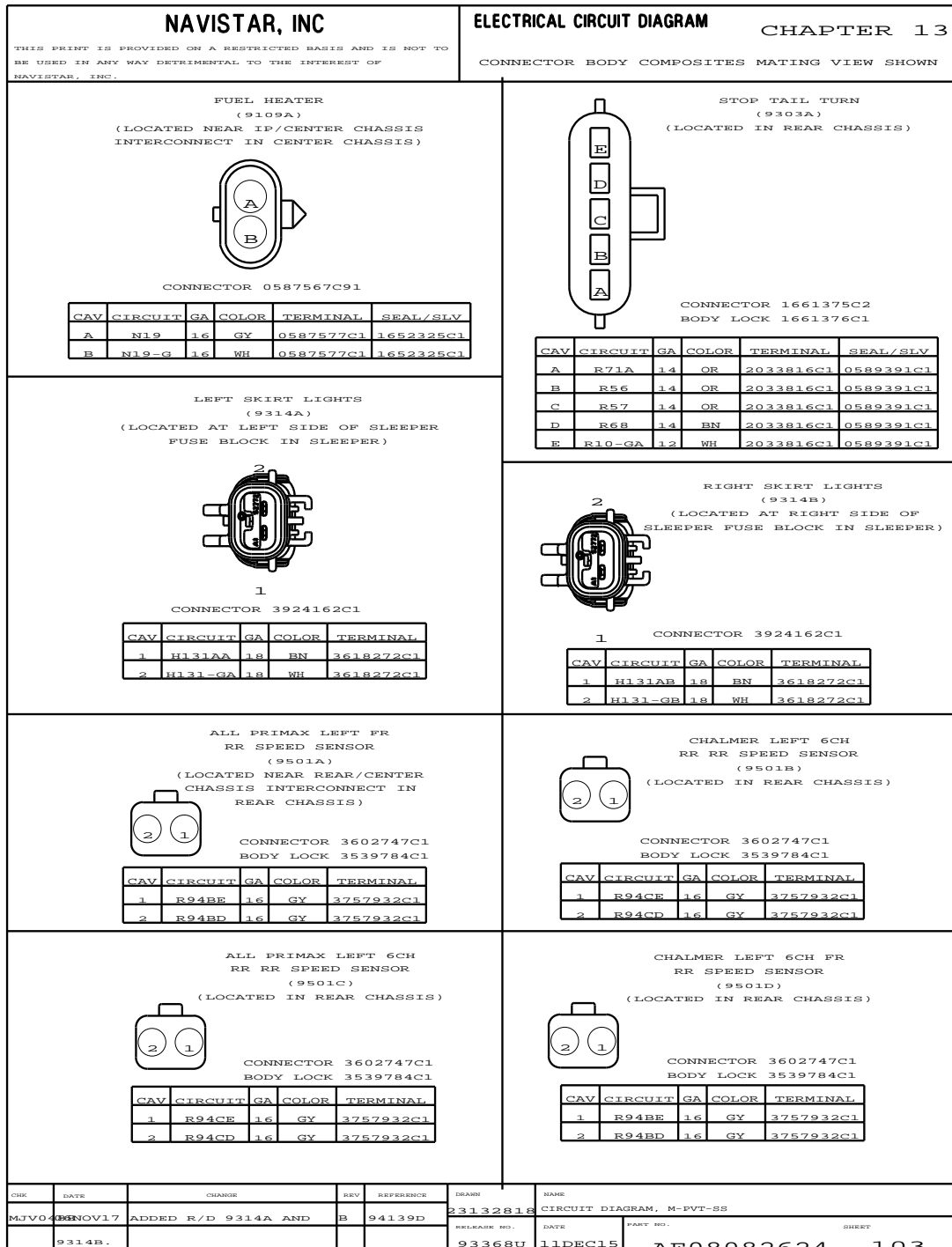


Figure 447 Connector Composites (9109A / 9303A / 9314A / 9314B / 9501A / 9501B / 9501C / 9501D)

13.141. CONNECTOR COMPOSITES (9501K / 9501L / 9501P / 9501R), P. 104

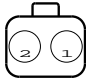
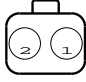
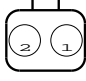
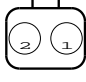
NAVISTAR, INC				ELECTRICAL CIRCUIT DIAGRAM		CHAPTER 13																
THIS PRINT IS PROVIDED ON A RESTRICTED BASIS AND IS NOT TO BE USED IN ANY WAY DETRIMENTAL TO THE INTEREST OF NAVISTAR, INC.				CONNECTOR BODY COMPOSITES MATING VIEW SHOWN																		
<p>LEFT 6CH MR RR SPD SENSOR (9501K)</p>  <p>CONNECTOR 3602747C1 BODY LOCK 3539784C1</p>				<table border="1" style="width: 100%; border-collapse: collapse; font-size: x-small;"> <thead> <tr> <th>CAV</th> <th>CIRCUIT</th> <th>GA</th> <th>COLOR</th> <th>TERMINAL</th> </tr> </thead> <tbody> <tr> <td>1</td> <td>R94BE</td> <td>16</td> <td>GY</td> <td>3757932C1</td> </tr> <tr> <td>2</td> <td>R94BD</td> <td>16</td> <td>GY</td> <td>3757932C1</td> </tr> </tbody> </table>				CAV	CIRCUIT	GA	COLOR	TERMINAL	1	R94BE	16	GY	3757932C1	2	R94BD	16	GY	3757932C1
CAV	CIRCUIT	GA	COLOR	TERMINAL																		
1	R94BE	16	GY	3757932C1																		
2	R94BD	16	GY	3757932C1																		
<p>LEFT 6CH RR RR SPEED SENSOR (9501L)</p>  <p>CONNECTOR 3602747C1 BODY LOCK 3539784C1</p>				<table border="1" style="width: 100%; border-collapse: collapse; font-size: x-small;"> <thead> <tr> <th>CAV</th> <th>CIRCUIT</th> <th>GA</th> <th>COLOR</th> <th>TERMINAL</th> </tr> </thead> <tbody> <tr> <td>1</td> <td>R94CE</td> <td>16</td> <td>GY</td> <td>3757932C1</td> </tr> <tr> <td>2</td> <td>R94CD</td> <td>16</td> <td>GY</td> <td>3757932C1</td> </tr> </tbody> </table>				CAV	CIRCUIT	GA	COLOR	TERMINAL	1	R94CE	16	GY	3757932C1	2	R94CD	16	GY	3757932C1
CAV	CIRCUIT	GA	COLOR	TERMINAL																		
1	R94CE	16	GY	3757932C1																		
2	R94CD	16	GY	3757932C1																		
<p>HEND AIR LEFT 6CH FR RR SPD SENSOR (9501P)</p>  <p>CONNECTOR 3602747C1 BODY LOCK 3539784C1</p>				<table border="1" style="width: 100%; border-collapse: collapse; font-size: x-small;"> <thead> <tr> <th>CAV</th> <th>CIRCUIT</th> <th>GA</th> <th>COLOR</th> <th>TERMINAL</th> </tr> </thead> <tbody> <tr> <td>1</td> <td>R94BE</td> <td>16</td> <td>GY</td> <td>3757932C1</td> </tr> <tr> <td>2</td> <td>R94BD</td> <td>16</td> <td>GY</td> <td>3757932C1</td> </tr> </tbody> </table>				CAV	CIRCUIT	GA	COLOR	TERMINAL	1	R94BE	16	GY	3757932C1	2	R94BD	16	GY	3757932C1
CAV	CIRCUIT	GA	COLOR	TERMINAL																		
1	R94BE	16	GY	3757932C1																		
2	R94BD	16	GY	3757932C1																		
<p>HEND AIR LEFT 6CH RR RR SPD SENSOR (9501R)</p>  <p>CONNECTOR 3602747C1 BODY LOCK 3539784C1</p>				<table border="1" style="width: 100%; border-collapse: collapse; font-size: x-small;"> <thead> <tr> <th>CAV</th> <th>CIRCUIT</th> <th>GA</th> <th>COLOR</th> <th>TERMINAL</th> </tr> </thead> <tbody> <tr> <td>1</td> <td>R94CE</td> <td>16</td> <td>GY</td> <td>3757932C1</td> </tr> <tr> <td>2</td> <td>R94CD</td> <td>16</td> <td>GY</td> <td>3757932C1</td> </tr> </tbody> </table>				CAV	CIRCUIT	GA	COLOR	TERMINAL	1	R94CE	16	GY	3757932C1	2	R94CD	16	GY	3757932C1
CAV	CIRCUIT	GA	COLOR	TERMINAL																		
1	R94CE	16	GY	3757932C1																		
2	R94CD	16	GY	3757932C1																		
CHK	DATE	CHANGE	REV	REFERENCE	DRAWN	NAME																
MJVO	08BUT16	INITIAL RELEASE.	A	93368U	23132818	CIRCUIT DIAGRAM, M-PVT-SS																
RELEASE NO.					DATE	PART NO.	SHEET															
93368U					11DEC15	AE08082624	104															

Figure 448 Connector Composites (9501K / 9501L / 9501P / 9501R)

13.142. CONNECTOR COMPOSITES (9501T / 9501V / 9502 / 9502A), P. 105


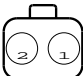
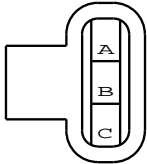
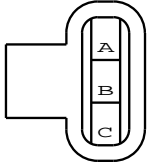
NAVISTAR, INC				ELECTRICAL CIRCUIT DIAGRAM		CHAPTER 13																									
THIS PRINT IS PROVIDED ON A RESTRICTED BASIS AND IS NOT TO BE USED IN ANY WAY DETRIMENTAL TO THE INTEREST OF NAVISTAR, INC.				CONNECTOR BODY COMPOSITES MATING VIEW SHOWN																											
<p>HEND STL LEFT 6CH FR RR SPD SENSOR (9501T)</p> <div style="display: flex; justify-content: space-around; align-items: center;">  <table border="1" style="font-size: x-small; border-collapse: collapse;"> <thead> <tr> <th>CAV</th> <th>CIRCUIT</th> <th>GA</th> <th>COLOR</th> <th>TERMINAL</th> </tr> </thead> <tbody> <tr> <td>1</td> <td>R94BE</td> <td>16</td> <td>GY</td> <td>3757932C1</td> </tr> <tr> <td>2</td> <td>R94BD</td> <td>16</td> <td>GY</td> <td>3757932C1</td> </tr> </tbody> </table> </div> <p style="text-align: center; font-size: x-small;">CONNECTOR 3602747C1 BODY LOCK 3539784C1</p>								CAV	CIRCUIT	GA	COLOR	TERMINAL	1	R94BE	16	GY	3757932C1	2	R94BD	16	GY	3757932C1									
CAV	CIRCUIT	GA	COLOR	TERMINAL																											
1	R94BE	16	GY	3757932C1																											
2	R94BD	16	GY	3757932C1																											
<p>HEND STL LEFT 6CH RR RR SPD SENSOR (9501V)</p> <div style="display: flex; justify-content: space-around; align-items: center;">  <table border="1" style="font-size: x-small; border-collapse: collapse;"> <thead> <tr> <th>CAV</th> <th>CIRCUIT</th> <th>GA</th> <th>COLOR</th> <th>TERMINAL</th> </tr> </thead> <tbody> <tr> <td>1</td> <td>R94CE</td> <td>16</td> <td>GY</td> <td>3757932C1</td> </tr> <tr> <td>2</td> <td>R94CD</td> <td>16</td> <td>GY</td> <td>3757932C1</td> </tr> </tbody> </table> </div> <p style="text-align: center; font-size: x-small;">CONNECTOR 3602747C1 BODY LOCK 3539784C1</p>								CAV	CIRCUIT	GA	COLOR	TERMINAL	1	R94CE	16	GY	3757932C1	2	R94CD	16	GY	3757932C1									
CAV	CIRCUIT	GA	COLOR	TERMINAL																											
1	R94CE	16	GY	3757932C1																											
2	R94CD	16	GY	3757932C1																											
<p>LEFT MODULATOR VALVE (9502)</p> <div style="display: flex; justify-content: space-around; align-items: center;">  <table border="1" style="font-size: x-small; border-collapse: collapse;"> <thead> <tr> <th>CAV</th> <th>CIRCUIT</th> <th>GA</th> <th>COLOR</th> <th>TERMINAL</th> <th>SEAL/SLV</th> </tr> </thead> <tbody> <tr> <td>A</td> <td>R94BA</td> <td>16</td> <td>GY</td> <td>2033819C1</td> <td>1652325C1</td> </tr> <tr> <td>B</td> <td>R94BB</td> <td>16</td> <td>GY</td> <td>2033819C1</td> <td>1652325C1</td> </tr> <tr> <td>C</td> <td>R94BC</td> <td>16</td> <td>GY</td> <td>2033819C1</td> <td>1652325C1</td> </tr> </tbody> </table> </div> <p style="text-align: center; font-size: x-small;">CONNECTOR 1686834C1 BODY LOCK 1664408C1</p>								CAV	CIRCUIT	GA	COLOR	TERMINAL	SEAL/SLV	A	R94BA	16	GY	2033819C1	1652325C1	B	R94BB	16	GY	2033819C1	1652325C1	C	R94BC	16	GY	2033819C1	1652325C1
CAV	CIRCUIT	GA	COLOR	TERMINAL	SEAL/SLV																										
A	R94BA	16	GY	2033819C1	1652325C1																										
B	R94BB	16	GY	2033819C1	1652325C1																										
C	R94BC	16	GY	2033819C1	1652325C1																										
<p>ALL PRIMAX LEFT 6CH FR RR MOD VALVE (9502A)</p> <div style="display: flex; justify-content: space-around; align-items: center;">  <table border="1" style="font-size: x-small; border-collapse: collapse;"> <thead> <tr> <th>CAV</th> <th>CIRCUIT</th> <th>GA</th> <th>COLOR</th> <th>TERMINAL</th> <th>SEAL/SLV</th> </tr> </thead> <tbody> <tr> <td>A</td> <td>R94BA</td> <td>16</td> <td>GY</td> <td>2033819C1</td> <td>1652325C1</td> </tr> <tr> <td>B</td> <td>R94BB</td> <td>16</td> <td>GY</td> <td>2033819C1</td> <td>1652325C1</td> </tr> <tr> <td>C</td> <td>R94BC</td> <td>16</td> <td>GY</td> <td>2033819C1</td> <td>1652325C1</td> </tr> </tbody> </table> </div> <p style="text-align: center; font-size: x-small;">CONNECTOR 1686834C1 BODY LOCK 1664408C1</p>								CAV	CIRCUIT	GA	COLOR	TERMINAL	SEAL/SLV	A	R94BA	16	GY	2033819C1	1652325C1	B	R94BB	16	GY	2033819C1	1652325C1	C	R94BC	16	GY	2033819C1	1652325C1
CAV	CIRCUIT	GA	COLOR	TERMINAL	SEAL/SLV																										
A	R94BA	16	GY	2033819C1	1652325C1																										
B	R94BB	16	GY	2033819C1	1652325C1																										
C	R94BC	16	GY	2033819C1	1652325C1																										
CHK	DATE	CHANGE	REV	REFERENCE	DRAWN	NAME																									
MJVO	08BUT16	INITIAL RELEASE.	A	93368U	23132818	CIRCUIT DIAGRAM, M-PVT-SS																									
					RELEASE NO.	DATE	PART NO.																								
					93368U	11DEC15	AE08082624																								
						SHEET	105																								

Figure 449 Connector Composites (9501T / 9501V / 9502 / 9502A)

13.143. CONNECTOR COMPOSITES (9502B / 9502C / 9502D / 9502L), P. 106

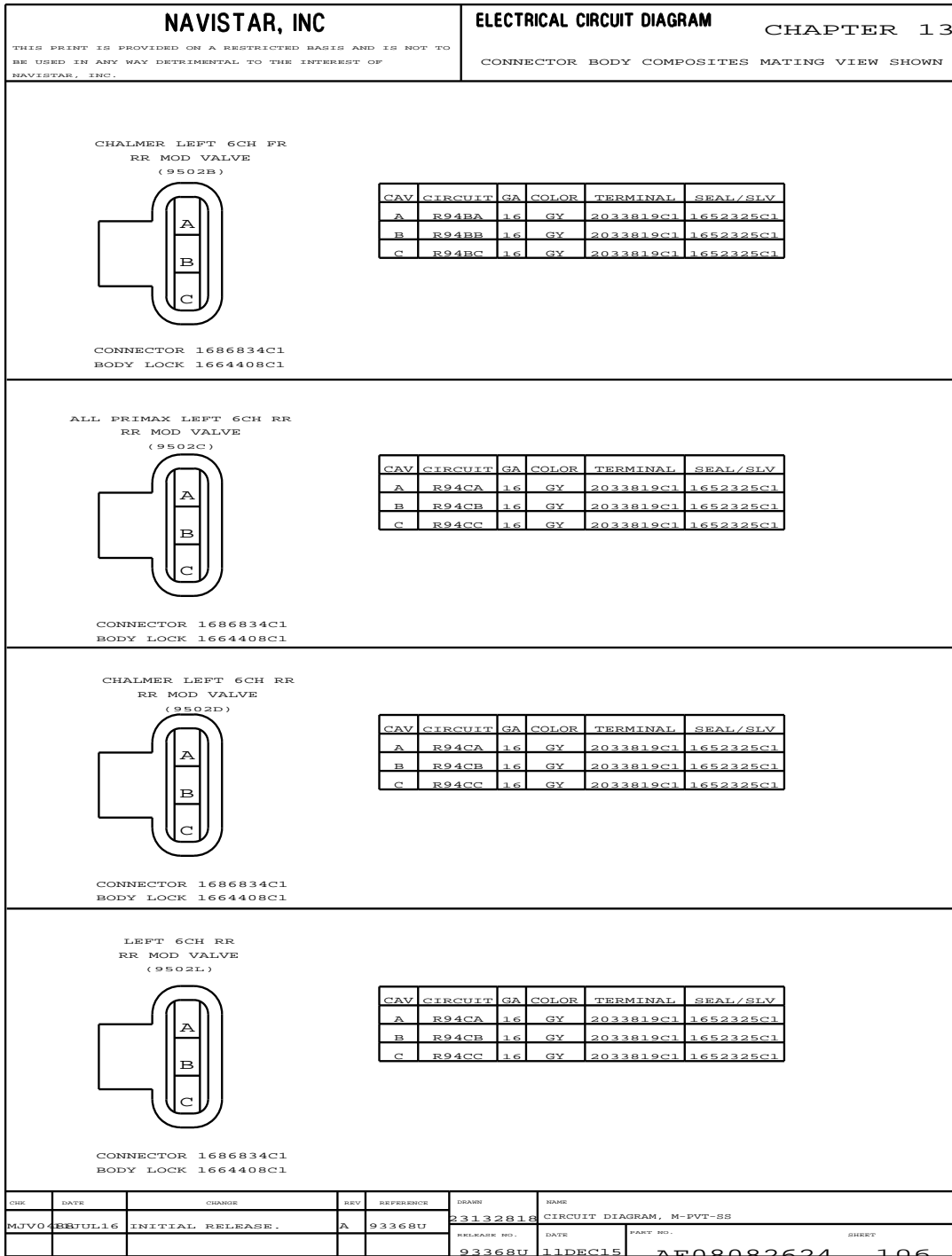


Figure 450 Connector Composites (9502B / 9502C / 9502D / 9502L)

13.144. CONNECTOR COMPOSITES (9502P / 9502R / 9502T / 9502V), P. 107

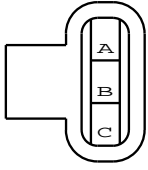
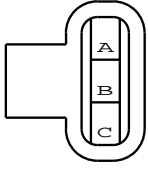
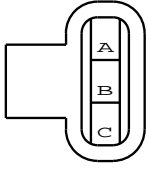
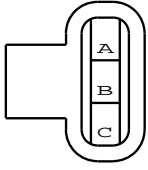
NAVISTAR, INC				ELECTRICAL CIRCUIT DIAGRAM		CHAPTER 13																									
THIS PRINT IS PROVIDED ON A RESTRICTED BASIS AND IS NOT TO BE USED IN ANY WAY DETRIMENTAL TO THE INTEREST OF NAVISTAR, INC.				CONNECTOR BODY COMPOSITES MATING VIEW SHOWN																											
<p>HEND AIR LEFT 6CH FR RR MOD VALVE (9502P)</p>																															
				<table border="1" style="font-size: x-small; border-collapse: collapse;"> <thead> <tr> <th>CAV</th> <th>CIRCUIT</th> <th>GA</th> <th>COLOR</th> <th>TERMINAL</th> <th>SEAL/SLV</th> </tr> </thead> <tbody> <tr> <td>A</td> <td>R94BA</td> <td>16</td> <td>GY</td> <td>2033819C1</td> <td>1652325C1</td> </tr> <tr> <td>B</td> <td>R94BB</td> <td>16</td> <td>GY</td> <td>2033819C1</td> <td>1652325C1</td> </tr> <tr> <td>C</td> <td>R94BC</td> <td>16</td> <td>GY</td> <td>2033819C1</td> <td>1652325C1</td> </tr> </tbody> </table>				CAV	CIRCUIT	GA	COLOR	TERMINAL	SEAL/SLV	A	R94BA	16	GY	2033819C1	1652325C1	B	R94BB	16	GY	2033819C1	1652325C1	C	R94BC	16	GY	2033819C1	1652325C1
CAV	CIRCUIT	GA	COLOR	TERMINAL	SEAL/SLV																										
A	R94BA	16	GY	2033819C1	1652325C1																										
B	R94BB	16	GY	2033819C1	1652325C1																										
C	R94BC	16	GY	2033819C1	1652325C1																										
<p>CONNECTOR 1686834C1 BODY LOCK 1664408C1</p>																															
<p>HEND AIR LEFT 6CH RR RR MOD VALVE (9502R)</p>																															
				<table border="1" style="font-size: x-small; border-collapse: collapse;"> <thead> <tr> <th>CAV</th> <th>CIRCUIT</th> <th>GA</th> <th>COLOR</th> <th>TERMINAL</th> <th>SEAL/SLV</th> </tr> </thead> <tbody> <tr> <td>A</td> <td>R94CA</td> <td>16</td> <td>GY</td> <td>2033819C1</td> <td>1652325C1</td> </tr> <tr> <td>B</td> <td>R94CB</td> <td>16</td> <td>GY</td> <td>2033819C1</td> <td>1652325C1</td> </tr> <tr> <td>C</td> <td>R94CC</td> <td>16</td> <td>GY</td> <td>2033819C1</td> <td>1652325C1</td> </tr> </tbody> </table>				CAV	CIRCUIT	GA	COLOR	TERMINAL	SEAL/SLV	A	R94CA	16	GY	2033819C1	1652325C1	B	R94CB	16	GY	2033819C1	1652325C1	C	R94CC	16	GY	2033819C1	1652325C1
CAV	CIRCUIT	GA	COLOR	TERMINAL	SEAL/SLV																										
A	R94CA	16	GY	2033819C1	1652325C1																										
B	R94CB	16	GY	2033819C1	1652325C1																										
C	R94CC	16	GY	2033819C1	1652325C1																										
<p>CONNECTOR 1686834C1 BODY LOCK 1664408C1</p>																															
<p>HEND STL LEFT 6CH FR RR MOD VALVE (9502T)</p>																															
				<table border="1" style="font-size: x-small; border-collapse: collapse;"> <thead> <tr> <th>CAV</th> <th>CIRCUIT</th> <th>GA</th> <th>COLOR</th> <th>TERMINAL</th> <th>SEAL/SLV</th> </tr> </thead> <tbody> <tr> <td>A</td> <td>R94BA</td> <td>16</td> <td>GY</td> <td>2033819C1</td> <td>1652325C1</td> </tr> <tr> <td>B</td> <td>R94BB</td> <td>16</td> <td>GY</td> <td>2033819C1</td> <td>1652325C1</td> </tr> <tr> <td>C</td> <td>R94BC</td> <td>16</td> <td>GY</td> <td>2033819C1</td> <td>1652325C1</td> </tr> </tbody> </table>				CAV	CIRCUIT	GA	COLOR	TERMINAL	SEAL/SLV	A	R94BA	16	GY	2033819C1	1652325C1	B	R94BB	16	GY	2033819C1	1652325C1	C	R94BC	16	GY	2033819C1	1652325C1
CAV	CIRCUIT	GA	COLOR	TERMINAL	SEAL/SLV																										
A	R94BA	16	GY	2033819C1	1652325C1																										
B	R94BB	16	GY	2033819C1	1652325C1																										
C	R94BC	16	GY	2033819C1	1652325C1																										
<p>CONNECTOR 1686834C1 BODY LOCK 1664408C1</p>																															
<p>HEND STL LEFT 6CH RR RR MOD VALVE (9502V)</p>																															
				<table border="1" style="font-size: x-small; border-collapse: collapse;"> <thead> <tr> <th>CAV</th> <th>CIRCUIT</th> <th>GA</th> <th>COLOR</th> <th>TERMINAL</th> <th>SEAL/SLV</th> </tr> </thead> <tbody> <tr> <td>A</td> <td>R94CA</td> <td>16</td> <td>GY</td> <td>2033819C1</td> <td>1652325C1</td> </tr> <tr> <td>B</td> <td>R94CB</td> <td>16</td> <td>GY</td> <td>2033819C1</td> <td>1652325C1</td> </tr> <tr> <td>C</td> <td>R94CC</td> <td>16</td> <td>GY</td> <td>2033819C1</td> <td>1652325C1</td> </tr> </tbody> </table>				CAV	CIRCUIT	GA	COLOR	TERMINAL	SEAL/SLV	A	R94CA	16	GY	2033819C1	1652325C1	B	R94CB	16	GY	2033819C1	1652325C1	C	R94CC	16	GY	2033819C1	1652325C1
CAV	CIRCUIT	GA	COLOR	TERMINAL	SEAL/SLV																										
A	R94CA	16	GY	2033819C1	1652325C1																										
B	R94CB	16	GY	2033819C1	1652325C1																										
C	R94CC	16	GY	2033819C1	1652325C1																										
<p>CONNECTOR 1686834C1 BODY LOCK 1664408C1</p>																															
CHK	DATE	CHANGE	REV	REFERENCE	DRAWN	NAME																									
MJVO	48BUTL16	INITIAL RELEASE.	A	93368U	23132818	CIRCUIT DIAGRAM, M-PVT-SS																									
RELEASE NO.				DATE	PART NO.	SHEET																									
93368U				11DEC15	AE08082624	107																									

Figure 451 Connector Composites (9502P / 9502R / 9502T / 9502V)

13.145. CONNECTOR COMPOSITES (9503A / 9503B / 9503C / 9503D / 9503E), P. 108

NAVISTAR, INC				ELECTRICAL CIRCUIT DIAGRAM		CHAPTER 13																
THIS PRINT IS PROVIDED ON A RESTRICTED BASIS AND IS NOT TO BE USED IN ANY WAY DETRIMENTAL TO THE INTEREST OF NAVISTAR, INC.				CONNECTOR BODY COMPOSITES MATING VIEW SHOWN																		
72" PRIMAX RT WHEEL SPD SENSOR (9503A)																						
				<table border="1" style="width: 100%; border-collapse: collapse; font-size: x-small;"> <thead> <tr> <th>CAV</th> <th>CIRCUIT</th> <th>GA</th> <th>COLOR</th> <th>TERMINAL</th> </tr> </thead> <tbody> <tr> <td>1</td> <td>R94BH</td> <td>16</td> <td>GY</td> <td>3757932C1</td> </tr> <tr> <td>2</td> <td>R94BF</td> <td>16</td> <td>GY</td> <td>3757932C1</td> </tr> </tbody> </table>				CAV	CIRCUIT	GA	COLOR	TERMINAL	1	R94BH	16	GY	3757932C1	2	R94BF	16	GY	3757932C1
CAV	CIRCUIT	GA	COLOR	TERMINAL																		
1	R94BH	16	GY	3757932C1																		
2	R94BF	16	GY	3757932C1																		
CONNECTOR 3602747C1 BODY LOCK 3539784C1																						
55" & 60" PRIMAX RT WHEEL SPD SENSOR (9503B)																						
				<table border="1" style="width: 100%; border-collapse: collapse; font-size: x-small;"> <thead> <tr> <th>CAV</th> <th>CIRCUIT</th> <th>GA</th> <th>COLOR</th> <th>TERMINAL</th> </tr> </thead> <tbody> <tr> <td>1</td> <td>R94BH</td> <td>16</td> <td>GY</td> <td>3757932C1</td> </tr> <tr> <td>2</td> <td>R94BF</td> <td>16</td> <td>GY</td> <td>3757932C1</td> </tr> </tbody> </table>				CAV	CIRCUIT	GA	COLOR	TERMINAL	1	R94BH	16	GY	3757932C1	2	R94BF	16	GY	3757932C1
CAV	CIRCUIT	GA	COLOR	TERMINAL																		
1	R94BH	16	GY	3757932C1																		
2	R94BF	16	GY	3757932C1																		
CONNECTOR 3602747C1 BODY LOCK 3539784C1																						
ALL PRIMAX RIGHT 6CH RR RR SPD SENSOR (9503C)																						
				<table border="1" style="width: 100%; border-collapse: collapse; font-size: x-small;"> <thead> <tr> <th>CAV</th> <th>CIRCUIT</th> <th>GA</th> <th>COLOR</th> <th>TERMINAL</th> </tr> </thead> <tbody> <tr> <td>1</td> <td>R94CH</td> <td>16</td> <td>GY</td> <td>3757932C1</td> </tr> <tr> <td>2</td> <td>R94CF</td> <td>16</td> <td>GY</td> <td>3757932C1</td> </tr> </tbody> </table>				CAV	CIRCUIT	GA	COLOR	TERMINAL	1	R94CH	16	GY	3757932C1	2	R94CF	16	GY	3757932C1
CAV	CIRCUIT	GA	COLOR	TERMINAL																		
1	R94CH	16	GY	3757932C1																		
2	R94CF	16	GY	3757932C1																		
CONNECTOR 3602747C1 BODY LOCK 3539784C1																						
RIGHT WHEEL SPEED SENSOR N/PRIMAX (9503D)																						
				<table border="1" style="width: 100%; border-collapse: collapse; font-size: x-small;"> <thead> <tr> <th>CAV</th> <th>CIRCUIT</th> <th>GA</th> <th>COLOR</th> <th>TERMINAL</th> </tr> </thead> <tbody> <tr> <td>1</td> <td>R94BH</td> <td>16</td> <td>GY</td> <td>3757932C1</td> </tr> <tr> <td>2</td> <td>R94BF</td> <td>16</td> <td>GY</td> <td>3757932C1</td> </tr> </tbody> </table>				CAV	CIRCUIT	GA	COLOR	TERMINAL	1	R94BH	16	GY	3757932C1	2	R94BF	16	GY	3757932C1
CAV	CIRCUIT	GA	COLOR	TERMINAL																		
1	R94BH	16	GY	3757932C1																		
2	R94BF	16	GY	3757932C1																		
CONNECTOR 3602747C1 BODY LOCK 3539784C1																						
CHALMER RIGHT 6CH RR RR SPD SENSOR (9503E)																						
				<table border="1" style="width: 100%; border-collapse: collapse; font-size: x-small;"> <thead> <tr> <th>CAV</th> <th>CIRCUIT</th> <th>GA</th> <th>COLOR</th> <th>TERMINAL</th> </tr> </thead> <tbody> <tr> <td>1</td> <td>R94CH</td> <td>16</td> <td>GY</td> <td>3757932C1</td> </tr> <tr> <td>2</td> <td>R94CF</td> <td>16</td> <td>GY</td> <td>3757932C1</td> </tr> </tbody> </table>				CAV	CIRCUIT	GA	COLOR	TERMINAL	1	R94CH	16	GY	3757932C1	2	R94CF	16	GY	3757932C1
CAV	CIRCUIT	GA	COLOR	TERMINAL																		
1	R94CH	16	GY	3757932C1																		
2	R94CF	16	GY	3757932C1																		
CONNECTOR 3602747C1 BODY LOCK 3539784C1																						
CHK	DATE	CHANGE	REV	REFERENCE	DRAWN	NAME																
MJVO	08TUL16	INITIAL RELEASE.	A	93368U	23132818	CIRCUIT DIAGRAM, M-PVT-SS																
					RELEASE NO.	DATE	PART NO.															
					93368U	11DEC15	AE08082624															
						SHEET	108															

Figure 452 Connector Composites (9503A / 9503B / 9503C / 9503D / 9503E)

13.146. CONNECTOR COMPOSITES (9503F / 9503K / 9503L / 9503P / 9503R), P. 109

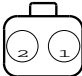
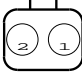
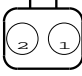
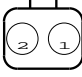
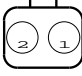
NAVISTAR, INC				ELECTRICAL CIRCUIT DIAGRAM		CHAPTER 13																
THIS PRINT IS PROVIDED ON A RESTRICTED BASIS AND IS NOT TO BE USED IN ANY WAY DETRIMENTAL TO THE INTEREST OF NAVISTAR, INC.				CONNECTOR BODY COMPOSITES MATING VIEW SHOWN																		
<p>CHALMER RIGHT 6CH FR RR SPD SENSOR (9503F)</p>  <p>CONNECTOR 3602747C1 BODY LOCK 3539784C1</p>				<table border="1" style="width: 100%; border-collapse: collapse;"> <thead> <tr> <th>CAV</th> <th>CIRCUIT</th> <th>GA</th> <th>COLOR</th> <th>TERMINAL</th> </tr> </thead> <tbody> <tr> <td>1</td> <td>R94BH</td> <td>16</td> <td>GY</td> <td>3757932C1</td> </tr> <tr> <td>2</td> <td>R94BF</td> <td>16</td> <td>GY</td> <td>3757932C1</td> </tr> </tbody> </table>				CAV	CIRCUIT	GA	COLOR	TERMINAL	1	R94BH	16	GY	3757932C1	2	R94BF	16	GY	3757932C1
CAV	CIRCUIT	GA	COLOR	TERMINAL																		
1	R94BH	16	GY	3757932C1																		
2	R94BF	16	GY	3757932C1																		
<p>RIGHT 6CH MR RR SPD SENSOR (9503K)</p>  <p>CONNECTOR 3602747C1 BODY LOCK 3539784C1</p>				<table border="1" style="width: 100%; border-collapse: collapse;"> <thead> <tr> <th>CAV</th> <th>CIRCUIT</th> <th>GA</th> <th>COLOR</th> <th>TERMINAL</th> </tr> </thead> <tbody> <tr> <td>1</td> <td>R94BH</td> <td>16</td> <td>GY</td> <td>3757932C1</td> </tr> <tr> <td>2</td> <td>R94BF</td> <td>16</td> <td>GY</td> <td>3757932C1</td> </tr> </tbody> </table>				CAV	CIRCUIT	GA	COLOR	TERMINAL	1	R94BH	16	GY	3757932C1	2	R94BF	16	GY	3757932C1
CAV	CIRCUIT	GA	COLOR	TERMINAL																		
1	R94BH	16	GY	3757932C1																		
2	R94BF	16	GY	3757932C1																		
<p>RIGHT 6CH RR RR SPD SENSOR (9503L)</p>  <p>CONNECTOR 3602747C1 BODY LOCK 3539784C1</p>				<table border="1" style="width: 100%; border-collapse: collapse;"> <thead> <tr> <th>CAV</th> <th>CIRCUIT</th> <th>GA</th> <th>COLOR</th> <th>TERMINAL</th> </tr> </thead> <tbody> <tr> <td>1</td> <td>R94CH</td> <td>16</td> <td>GY</td> <td>3757932C1</td> </tr> <tr> <td>2</td> <td>R94CF</td> <td>16</td> <td>GY</td> <td>3757932C1</td> </tr> </tbody> </table>				CAV	CIRCUIT	GA	COLOR	TERMINAL	1	R94CH	16	GY	3757932C1	2	R94CF	16	GY	3757932C1
CAV	CIRCUIT	GA	COLOR	TERMINAL																		
1	R94CH	16	GY	3757932C1																		
2	R94CF	16	GY	3757932C1																		
<p>HEND AIR RIGHT 6CH FR RR SPD SENSOR (9503P)</p>  <p>CONNECTOR 3602747C1 BODY LOCK 3539784C1</p>				<table border="1" style="width: 100%; border-collapse: collapse;"> <thead> <tr> <th>CAV</th> <th>CIRCUIT</th> <th>GA</th> <th>COLOR</th> <th>TERMINAL</th> </tr> </thead> <tbody> <tr> <td>1</td> <td>R94BH</td> <td>16</td> <td>GY</td> <td>3757932C1</td> </tr> <tr> <td>2</td> <td>R94BF</td> <td>16</td> <td>GY</td> <td>3757932C1</td> </tr> </tbody> </table>				CAV	CIRCUIT	GA	COLOR	TERMINAL	1	R94BH	16	GY	3757932C1	2	R94BF	16	GY	3757932C1
CAV	CIRCUIT	GA	COLOR	TERMINAL																		
1	R94BH	16	GY	3757932C1																		
2	R94BF	16	GY	3757932C1																		
<p>HEND AIR RIGHT 6CH RR RR SPD SENSOR (9503R)</p>  <p>CONNECTOR 3602747C1 BODY LOCK 3539784C1</p>				<table border="1" style="width: 100%; border-collapse: collapse;"> <thead> <tr> <th>CAV</th> <th>CIRCUIT</th> <th>GA</th> <th>COLOR</th> <th>TERMINAL</th> </tr> </thead> <tbody> <tr> <td>1</td> <td>R94CH</td> <td>16</td> <td>GY</td> <td>3757932C1</td> </tr> <tr> <td>2</td> <td>R94CF</td> <td>16</td> <td>GY</td> <td>3757932C1</td> </tr> </tbody> </table>				CAV	CIRCUIT	GA	COLOR	TERMINAL	1	R94CH	16	GY	3757932C1	2	R94CF	16	GY	3757932C1
CAV	CIRCUIT	GA	COLOR	TERMINAL																		
1	R94CH	16	GY	3757932C1																		
2	R94CF	16	GY	3757932C1																		
CHK	DATE	CHANGE	REV	REFERENCE	DRAWN	NAME																
MJVO	08BETUL16	INITIAL RELEASE.	A	93368U	23132818	CIRCUIT DIAGRAM, M-PVT-SS																
RELEASE NO.					DATE	PART NO.	SHEET															
93368U					11DEC15	AE08082624	109															

Figure 453 Connector Composites (9503F / 9503K / 9503L / 9503P / 9503R)

13.147. CONNECTOR COMPOSITES (9503T / 9503V / 9503W / 9503X / 9510A), P. 110

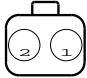



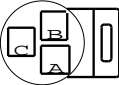
NAVISTAR, INC				ELECTRICAL CIRCUIT DIAGRAM		CHAPTER 13																					
THIS PRINT IS PROVIDED ON A RESTRICTED BASIS AND IS NOT TO BE USED IN ANY WAY DETRIMENTAL TO THE INTEREST OF NAVISTAR, INC.				CONNECTOR BODY COMPOSITES MATING VIEW SHOWN																							
HEND STL RIGHT 6CH FR RR SPD SENSOR (9503T)				<table border="1" style="width: 100%; border-collapse: collapse;"> <thead> <tr> <th>CAV</th> <th>CIRCUIT</th> <th>GA</th> <th>COLOR</th> <th>TERMINAL</th> </tr> </thead> <tbody> <tr> <td>1</td> <td>R94BH</td> <td>16</td> <td>GY</td> <td>3757932C1</td> </tr> <tr> <td>2</td> <td>R94BF</td> <td>16</td> <td>GY</td> <td>3757932C1</td> </tr> </tbody> </table>				CAV	CIRCUIT	GA	COLOR	TERMINAL	1	R94BH	16	GY	3757932C1	2	R94BF	16	GY	3757932C1					
CAV	CIRCUIT	GA	COLOR	TERMINAL																							
1	R94BH	16	GY	3757932C1																							
2	R94BF	16	GY	3757932C1																							
																											
CONNECTOR 3602747C1 BODY LOCK 3539784C1																											
HEND STL RIGHT 6CH RR RR SPD SENSOR (9503V)				<table border="1" style="width: 100%; border-collapse: collapse;"> <thead> <tr> <th>CAV</th> <th>CIRCUIT</th> <th>GA</th> <th>COLOR</th> <th>TERMINAL</th> </tr> </thead> <tbody> <tr> <td>1</td> <td>R94CH</td> <td>16</td> <td>GY</td> <td>3757932C1</td> </tr> <tr> <td>2</td> <td>R94CF</td> <td>16</td> <td>GY</td> <td>3757932C1</td> </tr> </tbody> </table>				CAV	CIRCUIT	GA	COLOR	TERMINAL	1	R94CH	16	GY	3757932C1	2	R94CF	16	GY	3757932C1					
CAV	CIRCUIT	GA	COLOR	TERMINAL																							
1	R94CH	16	GY	3757932C1																							
2	R94CF	16	GY	3757932C1																							
																											
CONNECTOR 3602747C1 BODY LOCK 3539784C1																											
72" PRIMAX RIGHT 6CH FR RR SPD SENSOR (9503W)				<table border="1" style="width: 100%; border-collapse: collapse;"> <thead> <tr> <th>CAV</th> <th>CIRCUIT</th> <th>GA</th> <th>COLOR</th> <th>TERMINAL</th> </tr> </thead> <tbody> <tr> <td>1</td> <td>R94BH</td> <td>16</td> <td>GY</td> <td>3757932C1</td> </tr> <tr> <td>2</td> <td>R94BF</td> <td>16</td> <td>GY</td> <td>3757932C1</td> </tr> </tbody> </table>				CAV	CIRCUIT	GA	COLOR	TERMINAL	1	R94BH	16	GY	3757932C1	2	R94BF	16	GY	3757932C1					
CAV	CIRCUIT	GA	COLOR	TERMINAL																							
1	R94BH	16	GY	3757932C1																							
2	R94BF	16	GY	3757932C1																							
																											
CONNECTOR 3602747C1 BODY LOCK 3539784C1																											
55" & 60" PRIMAX RIGHT 6CH FR RR SPD SENSOR (9503X)				<table border="1" style="width: 100%; border-collapse: collapse;"> <thead> <tr> <th>CAV</th> <th>CIRCUIT</th> <th>GA</th> <th>COLOR</th> <th>TERMINAL</th> </tr> </thead> <tbody> <tr> <td>1</td> <td>R94BH</td> <td>16</td> <td>GY</td> <td>3757932C1</td> </tr> <tr> <td>2</td> <td>R94BF</td> <td>16</td> <td>GY</td> <td>3757932C1</td> </tr> </tbody> </table>				CAV	CIRCUIT	GA	COLOR	TERMINAL	1	R94BH	16	GY	3757932C1	2	R94BF	16	GY	3757932C1					
CAV	CIRCUIT	GA	COLOR	TERMINAL																							
1	R94BH	16	GY	3757932C1																							
2	R94BF	16	GY	3757932C1																							
																											
CONNECTOR 3602747C1 BODY LOCK 3539784C1																											
LEFT RR AIR TRANSDUCER (9510A)				<table border="1" style="width: 100%; border-collapse: collapse;"> <thead> <tr> <th>CAV</th> <th>CIRCUIT</th> <th>GA</th> <th>COLOR</th> <th>TERMINAL</th> </tr> </thead> <tbody> <tr> <td>A</td> <td>R94SZC</td> <td>18</td> <td>GY</td> <td>1651943C1</td> </tr> <tr> <td>B</td> <td>R94SVC</td> <td>18</td> <td>GY</td> <td>1651943C1</td> </tr> <tr> <td>C</td> <td>R94SH</td> <td>18</td> <td>GY</td> <td>1651943C1</td> </tr> </tbody> </table>				CAV	CIRCUIT	GA	COLOR	TERMINAL	A	R94SZC	18	GY	1651943C1	B	R94SVC	18	GY	1651943C1	C	R94SH	18	GY	1651943C1
CAV	CIRCUIT	GA	COLOR	TERMINAL																							
A	R94SZC	18	GY	1651943C1																							
B	R94SVC	18	GY	1651943C1																							
C	R94SH	18	GY	1651943C1																							
																											
CONNECTOR 1678137C1																											
CHK	DATE	CHANGE	REV	REFERENCE	DRAWN	NAME																					
MJVO	08BUT16	INITIAL RELEASE.	A	93368U	23132818	CIRCUIT DIAGRAM, M-PVT-SS																					
RELEASE NO.			DATE		PART NO.		SHEET																				
93368U			11DEC15		AE08082624		110																				

Figure 454 Connector Composites (9503T / 9503V / 9503W / 9503X / 9510A)

13.148. CONNECTOR COMPOSITES (9511 / 9512C / 9514 / 9514C), P. 111


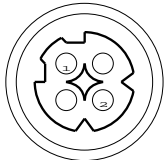
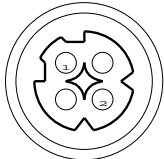
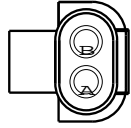
NAVISTAR, INC				ELECTRICAL CIRCUIT DIAGRAM		CHAPTER 13																					
THIS PRINT IS PROVIDED ON A RESTRICTED BASIS AND IS NOT TO BE USED IN ANY WAY DETRIMENTAL TO THE INTEREST OF NAVISTAR, INC.				CONNECTOR BODY COMPOSITES MATING VIEW SHOWN																							
<p>LEFT RR AIR TRANSDUCER (9511)</p> <div style="display: flex; justify-content: space-around; align-items: center;">  <table border="1" style="font-size: x-small;"> <thead> <tr> <th>CAV</th> <th>CIRCUIT</th> <th>GA</th> <th>COLOR</th> <th>TERMINAL</th> </tr> </thead> <tbody> <tr> <td>A</td> <td>R9Z</td> <td>18</td> <td>GY</td> <td>1651943C1</td> </tr> <tr> <td>B</td> <td>R6A</td> <td>18</td> <td>GY</td> <td>1651943C1</td> </tr> <tr> <td>C</td> <td>R61A</td> <td>18</td> <td>GY</td> <td>1651943C1</td> </tr> </tbody> </table> </div> <p style="text-align: center;">CONNECTOR 1678137C1</p>								CAV	CIRCUIT	GA	COLOR	TERMINAL	A	R9Z	18	GY	1651943C1	B	R6A	18	GY	1651943C1	C	R61A	18	GY	1651943C1
CAV	CIRCUIT	GA	COLOR	TERMINAL																							
A	R9Z	18	GY	1651943C1																							
B	R6A	18	GY	1651943C1																							
C	R61A	18	GY	1651943C1																							
<p>SS ABS ADV ATR VALVE (9512C)</p> <div style="display: flex; justify-content: space-around; align-items: center;">  <table border="1" style="font-size: x-small;"> <thead> <tr> <th>CAV</th> <th>CIRCUIT</th> <th>GA</th> <th>COLOR</th> <th>TERMINAL</th> <th>SEAL/SLV</th> </tr> </thead> <tbody> <tr> <td>1</td> <td>N94SJ</td> <td>16</td> <td>GY</td> <td>3679224C1</td> <td>3601687C1</td> </tr> <tr> <td>2</td> <td>N94SK</td> <td>16</td> <td>GY</td> <td>3679224C1</td> <td>3601687C1</td> </tr> </tbody> </table> </div> <p style="text-align: center;">CONNECTOR 3678796C1</p>								CAV	CIRCUIT	GA	COLOR	TERMINAL	SEAL/SLV	1	N94SJ	16	GY	3679224C1	3601687C1	2	N94SK	16	GY	3679224C1	3601687C1		
CAV	CIRCUIT	GA	COLOR	TERMINAL	SEAL/SLV																						
1	N94SJ	16	GY	3679224C1	3601687C1																						
2	N94SK	16	GY	3679224C1	3601687C1																						
<p>HILL START AIDE (9514)</p> <div style="display: flex; justify-content: space-around; align-items: center;">  <table border="1" style="font-size: x-small;"> <thead> <tr> <th>CAV</th> <th>CIRCUIT</th> <th>GA</th> <th>COLOR</th> <th>TERMINAL</th> <th>SEAL/SLV</th> </tr> </thead> <tbody> <tr> <td>1</td> <td>N94US</td> <td>16</td> <td>GY</td> <td>3679224C1</td> <td>3601687C1</td> </tr> <tr> <td>2</td> <td>N94USA</td> <td>16</td> <td>GY</td> <td>3679224C1</td> <td>3601687C1</td> </tr> </tbody> </table> </div> <p style="text-align: center;">CONNECTOR 3678796C1</p>								CAV	CIRCUIT	GA	COLOR	TERMINAL	SEAL/SLV	1	N94US	16	GY	3679224C1	3601687C1	2	N94USA	16	GY	3679224C1	3601687C1		
CAV	CIRCUIT	GA	COLOR	TERMINAL	SEAL/SLV																						
1	N94US	16	GY	3679224C1	3601687C1																						
2	N94USA	16	GY	3679224C1	3601687C1																						
<p>TRIDEM FR RR AXLE DIFF LOCK WARN LT (9514C)</p> <div style="display: flex; justify-content: space-around; align-items: center;">  <table border="1" style="font-size: x-small;"> <thead> <tr> <th>CAV</th> <th>CIRCUIT</th> <th>GA</th> <th>COLOR</th> <th>TERMINAL</th> <th>SEAL/SLV</th> </tr> </thead> <tbody> <tr> <td>A</td> <td>R49</td> <td>18</td> <td>GY</td> <td>0587578C1</td> <td>3517771C1</td> </tr> <tr> <td>B</td> <td>R49-G</td> <td>18</td> <td>WH</td> <td>0587578C1</td> <td>1652325C1</td> </tr> </tbody> </table> </div> <p style="text-align: center;">CONNECTOR 3593684C91</p>								CAV	CIRCUIT	GA	COLOR	TERMINAL	SEAL/SLV	A	R49	18	GY	0587578C1	3517771C1	B	R49-G	18	WH	0587578C1	1652325C1		
CAV	CIRCUIT	GA	COLOR	TERMINAL	SEAL/SLV																						
A	R49	18	GY	0587578C1	3517771C1																						
B	R49-G	18	WH	0587578C1	1652325C1																						
CHK	DATE	CHANGE	REV	REFERENCE	DRAWG	NAME																					
MJVO	08BETUL16	INITIAL RELEASE.	A	93368U	23132818	CIRCUIT DIAGRAM, M-PVT-SS																					
				RELEASE NO.	DATE	PART NO.	SHEET																				
				93368U	11DEC15	AE08082624	111																				

Figure 455 Connector Composites (9511 / 9512C / 9514 / 9514C)

13.149. CONNECTOR COMPOSITES (9514F / 9520 / 9521 / 9521A), P. 112

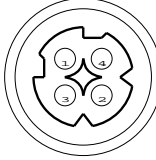
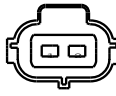
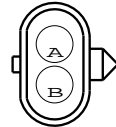
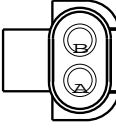
NAVISTAR, INC				ELECTRICAL CIRCUIT DIAGRAM		CHAPTER 13																															
THIS PRINT IS PROVIDED ON A RESTRICTED BASIS AND IS NOT TO BE USED IN ANY WAY DETRIMENTAL TO THE INTEREST OF NAVISTAR, INC.				CONNECTOR BODY COMPOSITES MATING VIEW SHOWN																																	
<div style="display: flex; justify-content: space-between;"> <div style="width: 30%;"> <p>SS/MD RSM YAW SENSOR (9514F)</p>  <p>CONNECTOR 3601685C1</p> </div> <div style="width: 65%;"> <table border="1" style="width: 100%; border-collapse: collapse; font-size: x-small;"> <thead> <tr> <th>CAV</th> <th>CIRCUIT</th> <th>GA</th> <th>COLOR</th> <th>TERMINAL</th> <th>SEAL/SLV</th> </tr> </thead> <tbody> <tr> <td>1</td> <td>R94SAB</td> <td>18</td> <td>GY</td> <td>3601686C1</td> <td>3601687C1</td> </tr> <tr> <td>2</td> <td>R94SBB</td> <td>18</td> <td>GY</td> <td>3601686C1</td> <td>3601687C1</td> </tr> <tr> <td>3</td> <td>R94SCB</td> <td>18</td> <td>GY</td> <td>3601686C1</td> <td>3601687C1</td> </tr> <tr> <td>4</td> <td>R94SDB</td> <td>18</td> <td>GY</td> <td>3601686C1</td> <td>3601687C1</td> </tr> </tbody> </table> </div> </div>								CAV	CIRCUIT	GA	COLOR	TERMINAL	SEAL/SLV	1	R94SAB	18	GY	3601686C1	3601687C1	2	R94SBB	18	GY	3601686C1	3601687C1	3	R94SCB	18	GY	3601686C1	3601687C1	4	R94SDB	18	GY	3601686C1	3601687C1
CAV	CIRCUIT	GA	COLOR	TERMINAL	SEAL/SLV																																
1	R94SAB	18	GY	3601686C1	3601687C1																																
2	R94SBB	18	GY	3601686C1	3601687C1																																
3	R94SCB	18	GY	3601686C1	3601687C1																																
4	R94SDB	18	GY	3601686C1	3601687C1																																
<div style="display: flex; justify-content: space-between;"> <div style="width: 30%;"> <p>REAR REAR AXLE TEMP SENSOR (9520)</p>  <p>CONNECTOR 3536864C1</p> </div> <div style="width: 65%;"> <table border="1" style="width: 100%; border-collapse: collapse; font-size: x-small;"> <thead> <tr> <th>CAV</th> <th>CIRCUIT</th> <th>GA</th> <th>COLOR</th> <th>TERMINAL</th> <th>SEAL/SLV</th> </tr> </thead> <tbody> <tr> <td>1</td> <td>R32</td> <td>18</td> <td>TN</td> <td>3536865C1</td> <td>3536867C1</td> </tr> <tr> <td>2</td> <td>R9F</td> <td>18</td> <td>GY</td> <td>3536865C1</td> <td>3536867C1</td> </tr> <tr> <td>2*</td> <td>R9FA</td> <td>18</td> <td>GY</td> <td>3536865C1</td> <td>3536868C1</td> </tr> </tbody> </table> <p style="text-align: center; font-size: x-small;">* W/ REAR AXLE TEMP</p> </div> </div>								CAV	CIRCUIT	GA	COLOR	TERMINAL	SEAL/SLV	1	R32	18	TN	3536865C1	3536867C1	2	R9F	18	GY	3536865C1	3536867C1	2*	R9FA	18	GY	3536865C1	3536868C1						
CAV	CIRCUIT	GA	COLOR	TERMINAL	SEAL/SLV																																
1	R32	18	TN	3536865C1	3536867C1																																
2	R9F	18	GY	3536865C1	3536867C1																																
2*	R9FA	18	GY	3536865C1	3536868C1																																
<div style="display: flex; justify-content: space-between;"> <div style="width: 30%;"> <p>REAR REAR AXLE DIFP LOCK WARN LT (9521)</p>  <p>CONNECTOR 0587567C91</p> </div> <div style="width: 65%;"> <table border="1" style="width: 100%; border-collapse: collapse; font-size: x-small;"> <thead> <tr> <th>CAV</th> <th>CIRCUIT</th> <th>GA</th> <th>COLOR</th> <th>TERMINAL</th> <th>SEAL/SLV</th> </tr> </thead> <tbody> <tr> <td>A</td> <td>R49A</td> <td>18</td> <td>GY</td> <td>0587578C1</td> <td>3517771C1</td> </tr> <tr> <td>B</td> <td>R49-GA</td> <td>18</td> <td>WH</td> <td>0587578C1</td> <td>1652325C1</td> </tr> </tbody> </table> </div> </div>								CAV	CIRCUIT	GA	COLOR	TERMINAL	SEAL/SLV	A	R49A	18	GY	0587578C1	3517771C1	B	R49-GA	18	WH	0587578C1	1652325C1												
CAV	CIRCUIT	GA	COLOR	TERMINAL	SEAL/SLV																																
A	R49A	18	GY	0587578C1	3517771C1																																
B	R49-GA	18	WH	0587578C1	1652325C1																																
<div style="display: flex; justify-content: space-between;"> <div style="width: 30%;"> <p>REAR REAR AXLE DIFP LOCK WARN LT (9521A)</p>  <p>CONNECTOR 3593684C91</p> </div> <div style="width: 65%;"> <table border="1" style="width: 100%; border-collapse: collapse; font-size: x-small;"> <thead> <tr> <th>CAV</th> <th>CIRCUIT</th> <th>GA</th> <th>COLOR</th> <th>TERMINAL</th> <th>SEAL/SLV</th> </tr> </thead> <tbody> <tr> <td>A</td> <td>R49A</td> <td>18</td> <td>GY</td> <td>0587578C1</td> <td>3517771C1</td> </tr> <tr> <td>B</td> <td>R49-GA</td> <td>18</td> <td>WH</td> <td>0587578C1</td> <td>1652325C1</td> </tr> </tbody> </table> </div> </div>								CAV	CIRCUIT	GA	COLOR	TERMINAL	SEAL/SLV	A	R49A	18	GY	0587578C1	3517771C1	B	R49-GA	18	WH	0587578C1	1652325C1												
CAV	CIRCUIT	GA	COLOR	TERMINAL	SEAL/SLV																																
A	R49A	18	GY	0587578C1	3517771C1																																
B	R49-GA	18	WH	0587578C1	1652325C1																																
CHK	DATE	CHANGE	REV	REFERENCE	DRAWN	NAME																															
MJVO	08BUT16	INITIAL RELEASE.	A	93368U	23132818	CIRCUIT DIAGRAM, M-PVT-SS																															
RELEASE NO.				DATE	PART NO.		SHEET																														
93368U				11DEC15	AE08082624		112																														

Figure 456 Connector Composites (9514F / 9520 / 9521 / 9521A)

13.150. CONNECTOR COMPOSITES (9522 / 9522B / 9522C / 9522D), P. 113

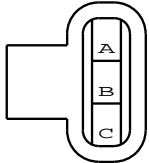
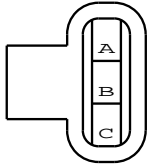
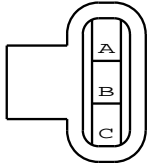
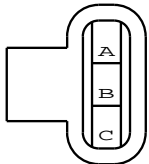
NAVISTAR, INC				ELECTRICAL CIRCUIT DIAGRAM		CHAPTER 13																									
THIS PRINT IS PROVIDED ON A RESTRICTED BASIS AND IS NOT TO BE USED IN ANY WAY DETRIMENTAL TO THE INTEREST OF NAVISTAR, INC.				CONNECTOR BODY COMPOSITES MATING VIEW SHOWN																											
<p>RIGHT MODULATOR VALVE (9522)</p>  <table border="1" style="margin-left: auto; margin-right: auto; font-size: x-small;"> <thead> <tr> <th>CAV</th> <th>CIRCUIT</th> <th>GA</th> <th>COLOR</th> <th>TERMINAL</th> <th>SEAL/SLV</th> </tr> </thead> <tbody> <tr> <td>A</td> <td>R94BJ</td> <td>16</td> <td>GY</td> <td>2033819C1</td> <td>1652325C1</td> </tr> <tr> <td>B</td> <td>R94BK</td> <td>16</td> <td>GY</td> <td>2033819C1</td> <td>1652325C1</td> </tr> <tr> <td>C</td> <td>R94BL</td> <td>16</td> <td>GY</td> <td>2033819C1</td> <td>1652325C1</td> </tr> </tbody> </table> <p>CONNECTOR 1686834C1 BODY LOCK 1664408C1</p>								CAV	CIRCUIT	GA	COLOR	TERMINAL	SEAL/SLV	A	R94BJ	16	GY	2033819C1	1652325C1	B	R94BK	16	GY	2033819C1	1652325C1	C	R94BL	16	GY	2033819C1	1652325C1
CAV	CIRCUIT	GA	COLOR	TERMINAL	SEAL/SLV																										
A	R94BJ	16	GY	2033819C1	1652325C1																										
B	R94BK	16	GY	2033819C1	1652325C1																										
C	R94BL	16	GY	2033819C1	1652325C1																										
<p>CHALMER RIGHT 6CH FR RR MOD VALVE (9522B)</p>  <table border="1" style="margin-left: auto; margin-right: auto; font-size: x-small;"> <thead> <tr> <th>CAV</th> <th>CIRCUIT</th> <th>GA</th> <th>COLOR</th> <th>TERMINAL</th> <th>SEAL/SLV</th> </tr> </thead> <tbody> <tr> <td>A</td> <td>R94BJ</td> <td>16</td> <td>GY</td> <td>2033819C1</td> <td>1652325C1</td> </tr> <tr> <td>B</td> <td>R94BK</td> <td>16</td> <td>GY</td> <td>2033819C1</td> <td>1652325C1</td> </tr> <tr> <td>C</td> <td>R94BL</td> <td>16</td> <td>GY</td> <td>2033819C1</td> <td>1652325C1</td> </tr> </tbody> </table> <p>CONNECTOR 1686834C1 BODY LOCK 1664408C1</p>								CAV	CIRCUIT	GA	COLOR	TERMINAL	SEAL/SLV	A	R94BJ	16	GY	2033819C1	1652325C1	B	R94BK	16	GY	2033819C1	1652325C1	C	R94BL	16	GY	2033819C1	1652325C1
CAV	CIRCUIT	GA	COLOR	TERMINAL	SEAL/SLV																										
A	R94BJ	16	GY	2033819C1	1652325C1																										
B	R94BK	16	GY	2033819C1	1652325C1																										
C	R94BL	16	GY	2033819C1	1652325C1																										
<p>ALL PRIMAX RIGHT 6CH RR RR MOD VALVE (9522C)</p>  <table border="1" style="margin-left: auto; margin-right: auto; font-size: x-small;"> <thead> <tr> <th>CAV</th> <th>CIRCUIT</th> <th>GA</th> <th>COLOR</th> <th>TERMINAL</th> <th>SEAL/SLV</th> </tr> </thead> <tbody> <tr> <td>A</td> <td>R94CJ</td> <td>16</td> <td>GY</td> <td>2033819C1</td> <td>1652325C1</td> </tr> <tr> <td>B</td> <td>R94CK</td> <td>16</td> <td>GY</td> <td>2033819C1</td> <td>1652325C1</td> </tr> <tr> <td>C</td> <td>R94CL</td> <td>16</td> <td>GY</td> <td>2033819C1</td> <td>1652325C1</td> </tr> </tbody> </table> <p>CONNECTOR 1686834C1 BODY LOCK 1664408C1</p>								CAV	CIRCUIT	GA	COLOR	TERMINAL	SEAL/SLV	A	R94CJ	16	GY	2033819C1	1652325C1	B	R94CK	16	GY	2033819C1	1652325C1	C	R94CL	16	GY	2033819C1	1652325C1
CAV	CIRCUIT	GA	COLOR	TERMINAL	SEAL/SLV																										
A	R94CJ	16	GY	2033819C1	1652325C1																										
B	R94CK	16	GY	2033819C1	1652325C1																										
C	R94CL	16	GY	2033819C1	1652325C1																										
<p>CHALMER RIGHT 6CH RR RR MOD VALVE (9522D)</p>  <table border="1" style="margin-left: auto; margin-right: auto; font-size: x-small;"> <thead> <tr> <th>CAV</th> <th>CIRCUIT</th> <th>GA</th> <th>COLOR</th> <th>TERMINAL</th> <th>SEAL/SLV</th> </tr> </thead> <tbody> <tr> <td>A</td> <td>R94CJ</td> <td>16</td> <td>GY</td> <td>2033819C1</td> <td>1652325C1</td> </tr> <tr> <td>B</td> <td>R94CK</td> <td>16</td> <td>GY</td> <td>2033819C1</td> <td>1652325C1</td> </tr> <tr> <td>C</td> <td>R94CL</td> <td>16</td> <td>GY</td> <td>2033819C1</td> <td>1652325C1</td> </tr> </tbody> </table> <p>CONNECTOR 1686834C1 BODY LOCK 1664408C1</p>								CAV	CIRCUIT	GA	COLOR	TERMINAL	SEAL/SLV	A	R94CJ	16	GY	2033819C1	1652325C1	B	R94CK	16	GY	2033819C1	1652325C1	C	R94CL	16	GY	2033819C1	1652325C1
CAV	CIRCUIT	GA	COLOR	TERMINAL	SEAL/SLV																										
A	R94CJ	16	GY	2033819C1	1652325C1																										
B	R94CK	16	GY	2033819C1	1652325C1																										
C	R94CL	16	GY	2033819C1	1652325C1																										
CHK	DATE	CHANGE	REV	REFERENCE	DRAWN	NAME																									
MJVO	08BETUL16	INITIAL RELEASE.	A	93368U	23132818	CIRCUIT DIAGRAM, M-PVT-SS																									
RELEASE NO.					DATE	PART NO.	SHEET																								
93368U					11DEC15	AE08082624	113																								

Figure 457 Connector Composites (9522 / 9522B / 9522C / 9522D)

13.151. CONNECTOR COMPOSITES (9522L / 9522P / 9522R / 9522T), P. 114

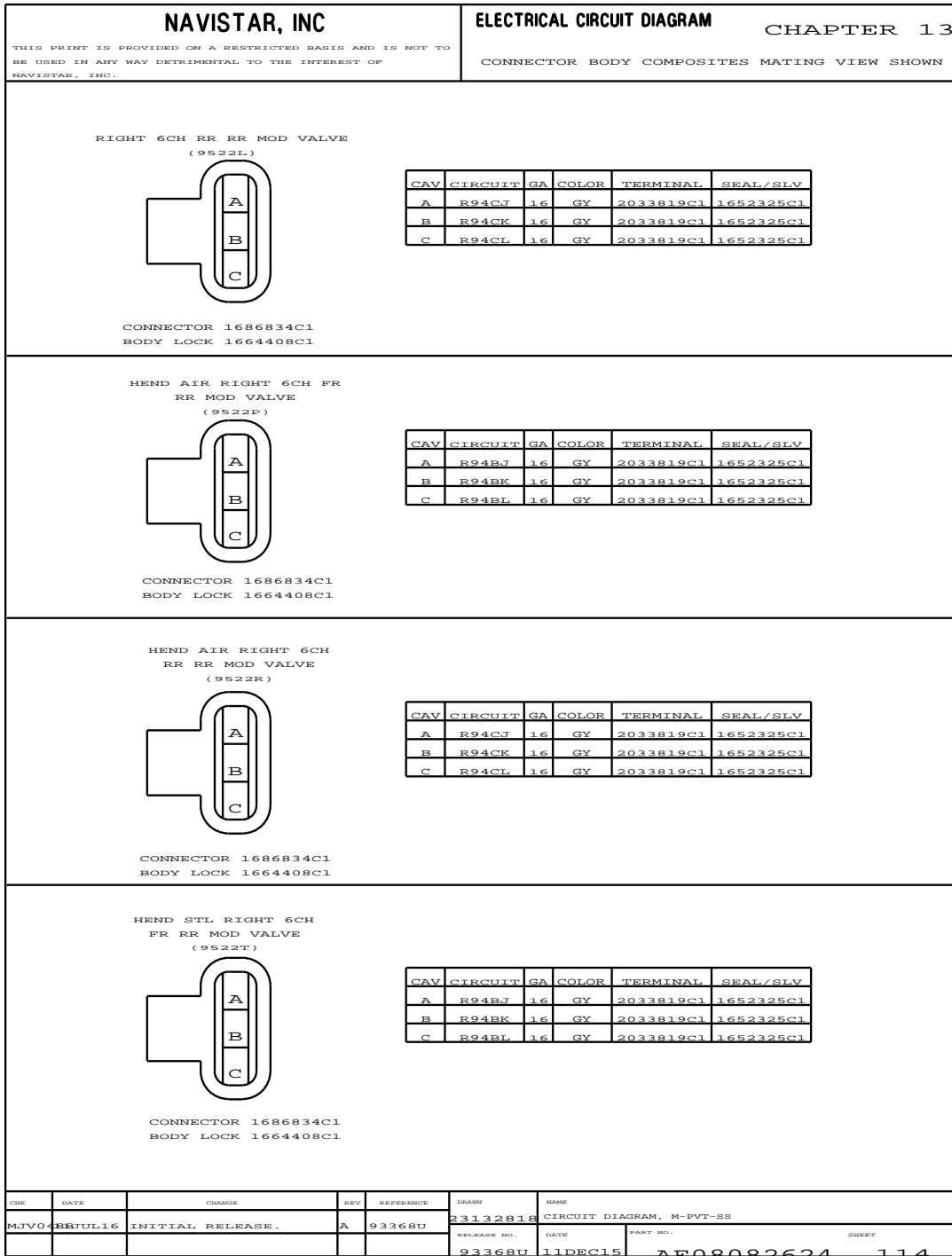


Figure 458 Connector Composites (9522L / 9522P / 9522R / 9522T)

13.152. CONNECTOR COMPOSITES (9522V / 9522W / 9522X / 9531 / 9715F), P. 115

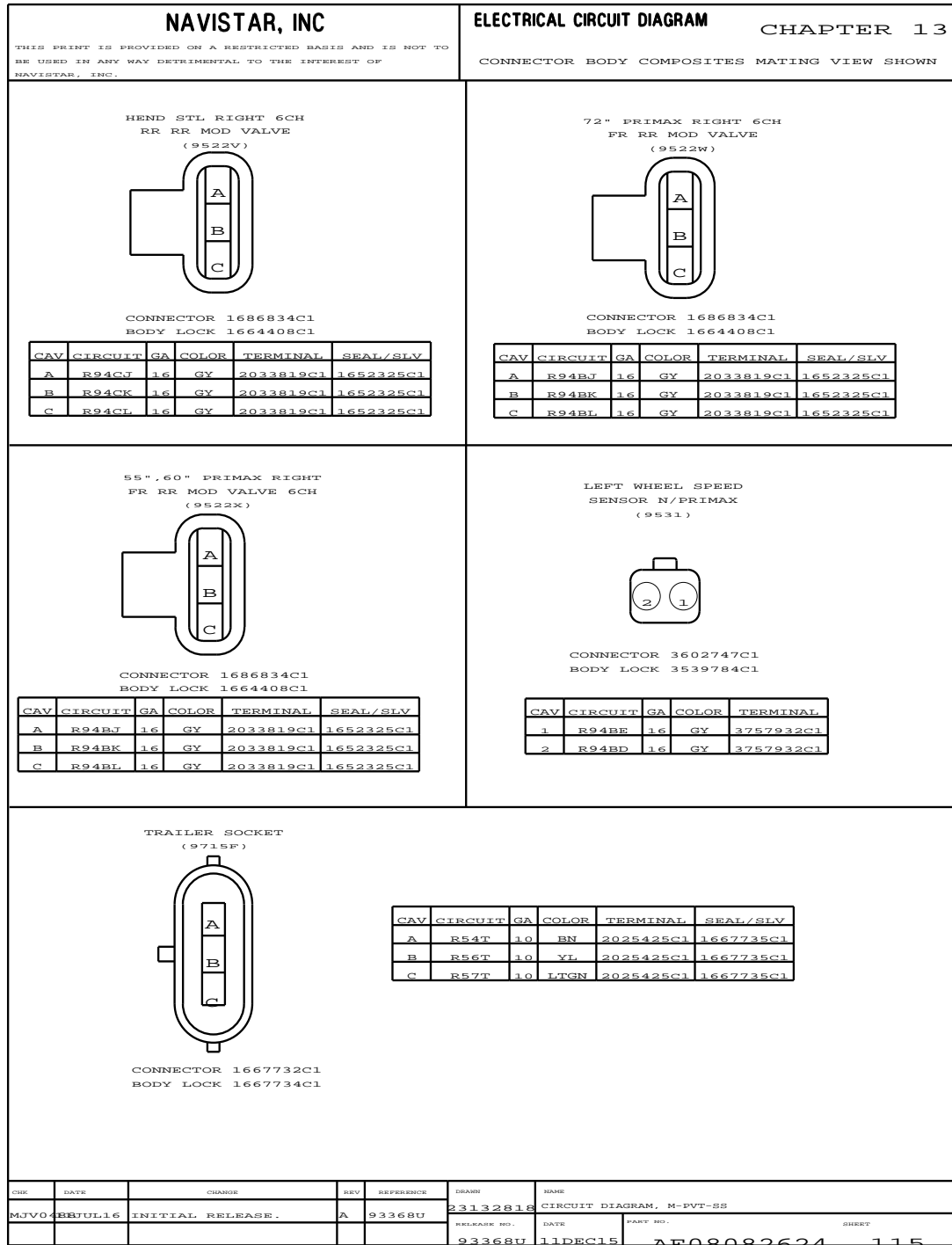


Figure 459 Connector Composites (9522V / 9522W / 9522X / 9531 / 9715F)

13.153. CONNECTOR COMPOSITES (9715M / 9716F / 9716M / 9717F), P. 116

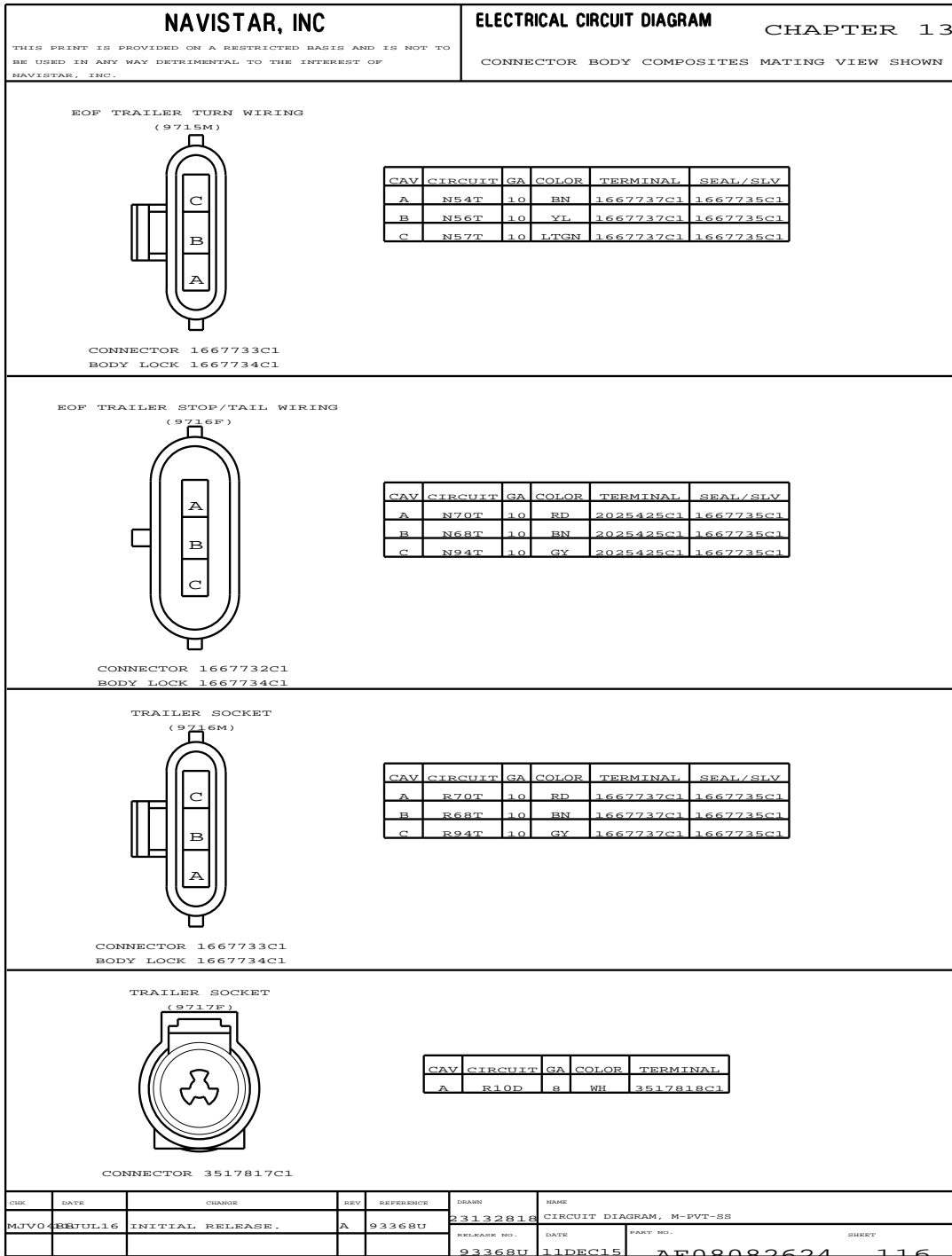


Figure 460 Connector Composites (9715M / 9716F / 9716M / 9717F)

13.154. CONNECTOR COMPOSITES (9717M / 9725F / 9725M / 9726F / 9726M), P. 117

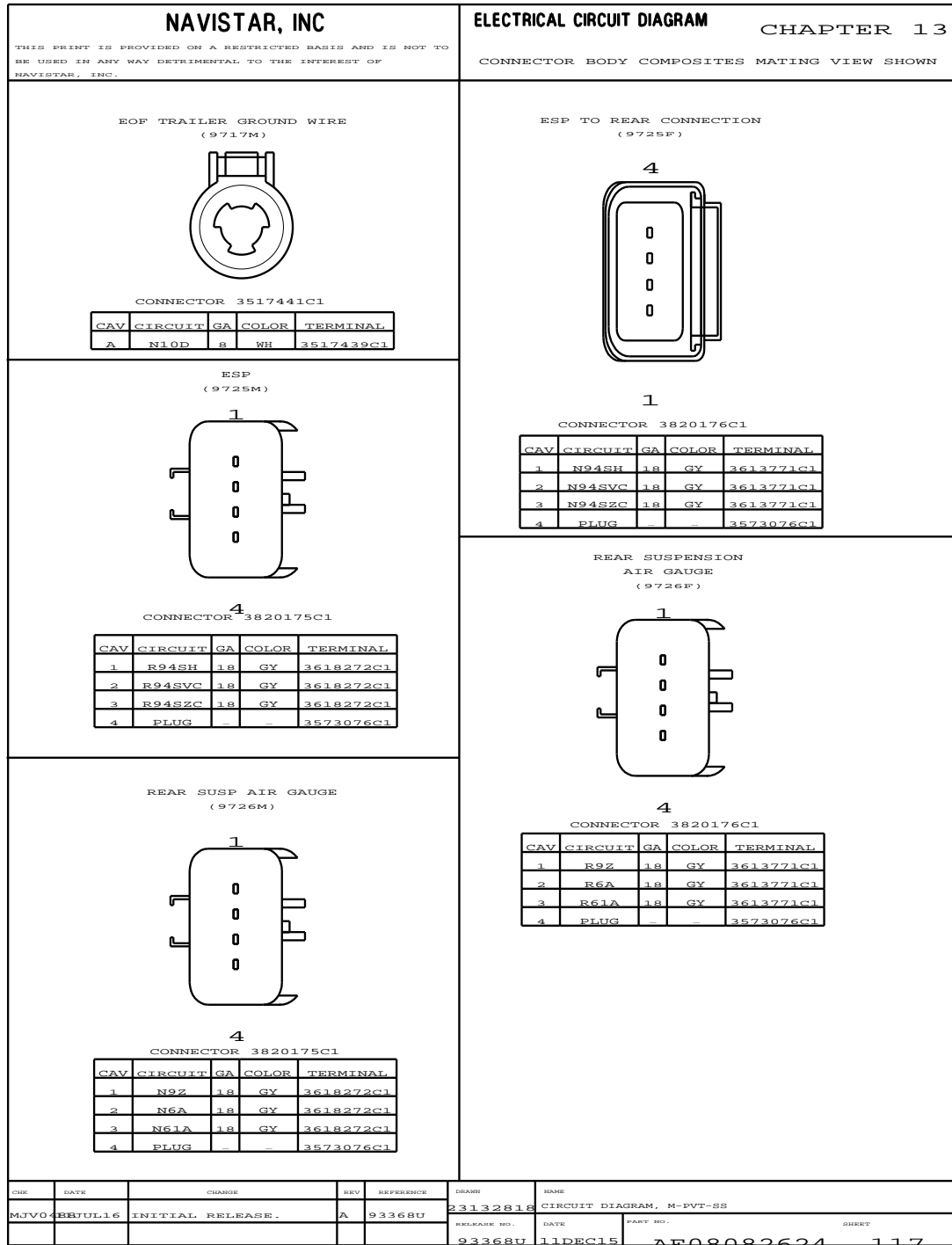


Figure 461 Connector Composites (9717M / 9725F / 9725M / 9726F / 9726M)

13.155. CONNECTOR COMPOSITES (9727F / 9727M / 9762 / 9763), P. 118

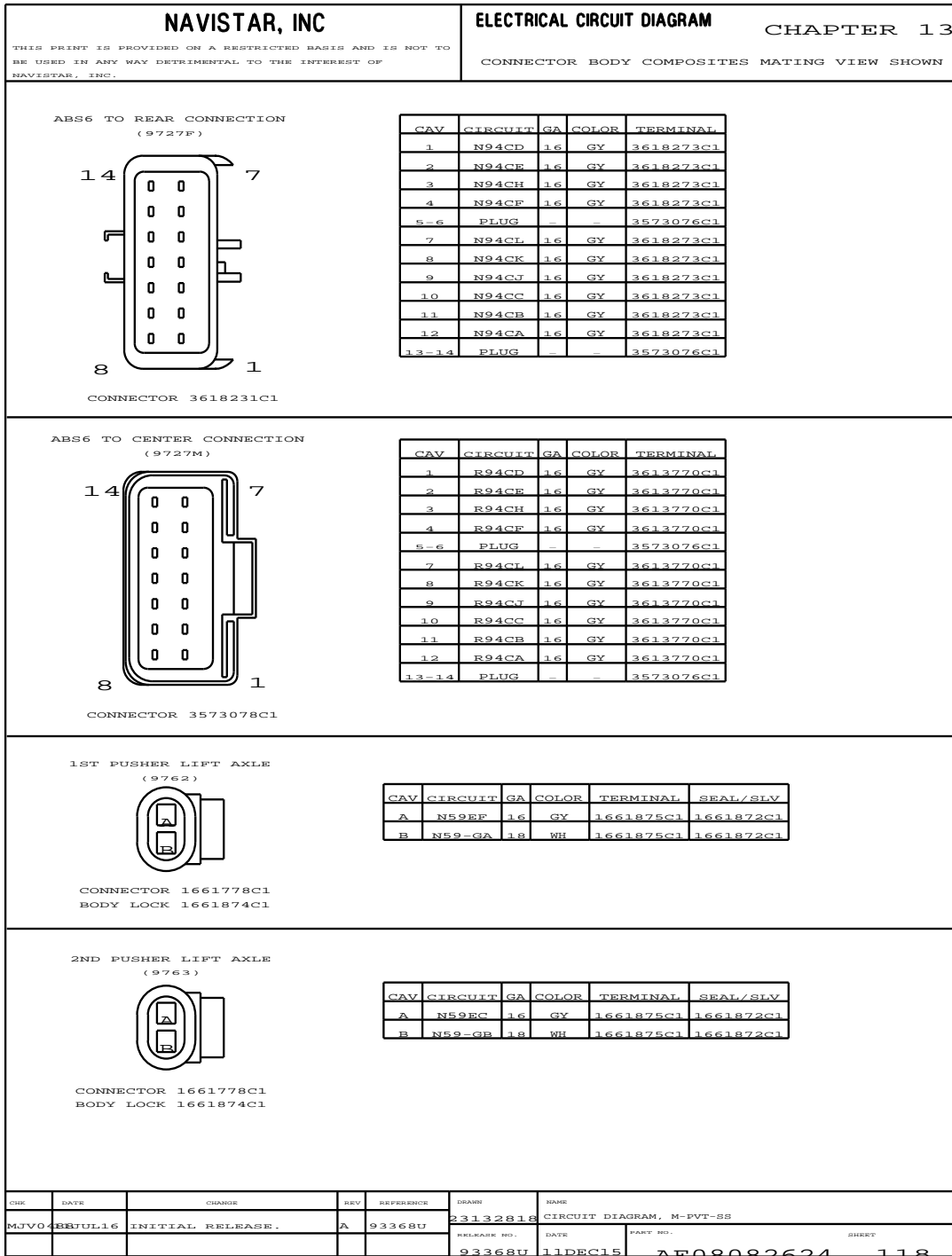


Figure 462 Connector Composites (9727F / 9727M / 9762 / 9763)

13.156. CONNECTOR COMPOSITES (9764 / 9778F / 9778FB / 9779F), P. 119

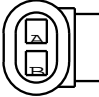


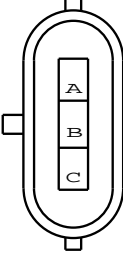
NAVISTAR, INC				ELECTRICAL CIRCUIT DIAGRAM		CHAPTER 13																																											
THIS PRINT IS PROVIDED ON A RESTRICTED BASIS AND IS NOT TO BE USED IN ANY WAY DETRIMENTAL TO THE INTEREST OF NAVISTAR, INC.				CONNECTOR BODY COMPOSITES MATING VIEW SHOWN																																													
<p>3RD PUSHER LIPT AXLE (9764)</p>  <p>CONNECTOR 1661778C1 BODY LOCK 1661874C1</p>		<table border="1" style="width: 100%; border-collapse: collapse; font-size: x-small;"> <thead> <tr> <th>CAV</th> <th>CIRCUIT</th> <th>GA</th> <th>COLOR</th> <th>TERMINAL</th> <th>SEAL/SLV</th> </tr> </thead> <tbody> <tr> <td>A</td> <td>N59ED</td> <td>16</td> <td>GY</td> <td>1661875C1</td> <td>1661872C1</td> </tr> <tr> <td>B</td> <td>N59-GD</td> <td>18</td> <td>WH</td> <td>1661875C1</td> <td>1661872C1</td> </tr> </tbody> </table>						CAV	CIRCUIT	GA	COLOR	TERMINAL	SEAL/SLV	A	N59ED	16	GY	1661875C1	1661872C1	B	N59-GD	18	WH	1661875C1	1661872C1																								
CAV	CIRCUIT	GA	COLOR	TERMINAL	SEAL/SLV																																												
A	N59ED	16	GY	1661875C1	1661872C1																																												
B	N59-GD	18	WH	1661875C1	1661872C1																																												
<p>GREEN ABS TRLR SOCKET GND (9778F)</p>  <p>CONNECTOR 3537133C1</p>		<table border="1" style="width: 100%; border-collapse: collapse; font-size: x-small;"> <thead> <tr> <th>CAV</th> <th>CIRCUIT</th> <th>GA</th> <th>COLOR</th> <th>TERMINAL</th> <th>SEAL/SLV</th> </tr> </thead> <tbody> <tr> <td>A</td> <td>N10-GB</td> <td>8</td> <td>WH</td> <td>3700153C1</td> <td>3537135C1</td> </tr> <tr> <td>A*</td> <td>N10-GH</td> <td>8</td> <td>WH</td> <td>3700153C1</td> <td>3537135C1</td> </tr> </tbody> </table> <p style="font-size: x-small;">* N/ AUX SOCKET</p>						CAV	CIRCUIT	GA	COLOR	TERMINAL	SEAL/SLV	A	N10-GB	8	WH	3700153C1	3537135C1	A*	N10-GH	8	WH	3700153C1	3537135C1																								
CAV	CIRCUIT	GA	COLOR	TERMINAL	SEAL/SLV																																												
A	N10-GB	8	WH	3700153C1	3537135C1																																												
A*	N10-GH	8	WH	3700153C1	3537135C1																																												
<p>TRAILER SOCKET GND (9778FB)</p>  <p>CONNECTOR 3537133C1</p>		<table border="1" style="width: 100%; border-collapse: collapse; font-size: x-small;"> <thead> <tr> <th>CAV</th> <th>CIRCUIT</th> <th>GA</th> <th>COLOR</th> <th>TERMINAL</th> <th>SEAL/SLV</th> </tr> </thead> <tbody> <tr> <td>A</td> <td>B10D</td> <td>8</td> <td>WH</td> <td>3700153C1</td> <td>3537135C1</td> </tr> </tbody> </table>						CAV	CIRCUIT	GA	COLOR	TERMINAL	SEAL/SLV	A	B10D	8	WH	3700153C1	3537135C1																														
CAV	CIRCUIT	GA	COLOR	TERMINAL	SEAL/SLV																																												
A	B10D	8	WH	3700153C1	3537135C1																																												
<p>GREEN ABS TRLR SOCKET 2 (9779F)</p>  <p>CONNECTOR 1667732C1 BODY LOCK 1667734C1</p>		<table border="1" style="width: 100%; border-collapse: collapse; font-size: x-small;"> <thead> <tr> <th>CAV</th> <th>CIRCUIT</th> <th>GA</th> <th>COLOR</th> <th>TERMINAL</th> <th>SEAL/SLV</th> </tr> </thead> <tbody> <tr> <td>A*</td> <td>N54B</td> <td>10</td> <td>BN</td> <td>2025425C1</td> <td>1667735C1</td> </tr> <tr> <td>A&</td> <td>N54T</td> <td>10</td> <td>BN</td> <td>2025425C1</td> <td>1667735C1</td> </tr> <tr> <td>B*</td> <td>N56B</td> <td>10</td> <td>YL</td> <td>2025425C1</td> <td>1667735C1</td> </tr> <tr> <td>B&</td> <td>N56T</td> <td>10</td> <td>YL</td> <td>2025425C1</td> <td>1667735C1</td> </tr> <tr> <td>C*</td> <td>N57B</td> <td>10</td> <td>LTGN</td> <td>2025425C1</td> <td>1667735C1</td> </tr> <tr> <td>C&</td> <td>N57T</td> <td>10</td> <td>LTGN</td> <td>2025425C1</td> <td>1667735C1</td> </tr> </tbody> </table> <p style="font-size: x-small;">* W/ BOC TRAILER SOCKET W/ 12" OR 0004692 BOC POGO STICK & W/ BOC TRAILER SOCKET W/ 30" BOC POGO STICK AND N/ AUX SOCKET</p>						CAV	CIRCUIT	GA	COLOR	TERMINAL	SEAL/SLV	A*	N54B	10	BN	2025425C1	1667735C1	A&	N54T	10	BN	2025425C1	1667735C1	B*	N56B	10	YL	2025425C1	1667735C1	B&	N56T	10	YL	2025425C1	1667735C1	C*	N57B	10	LTGN	2025425C1	1667735C1	C&	N57T	10	LTGN	2025425C1	1667735C1
CAV	CIRCUIT	GA	COLOR	TERMINAL	SEAL/SLV																																												
A*	N54B	10	BN	2025425C1	1667735C1																																												
A&	N54T	10	BN	2025425C1	1667735C1																																												
B*	N56B	10	YL	2025425C1	1667735C1																																												
B&	N56T	10	YL	2025425C1	1667735C1																																												
C*	N57B	10	LTGN	2025425C1	1667735C1																																												
C&	N57T	10	LTGN	2025425C1	1667735C1																																												
CHK	DATE	CHANGE	REV	REFERENCE	DRAWN	NAME																																											
MJVO	08BETUL16	INITIAL RELEASE.	A	93368U	23132818	CIRCUIT DIAGRAM, M-PVT-SS																																											
RELEASE NO.					DATE	PART NO.	SHEET																																										
93368U					11DEC15	AE08082624	119																																										

Figure 463 Connector Composites (9764 / 9778F / 9778FB / 9779F)

13.157. CONNECTOR COMPOSITES (9779FB / 9780M / 9781M / 9782F), P. 120

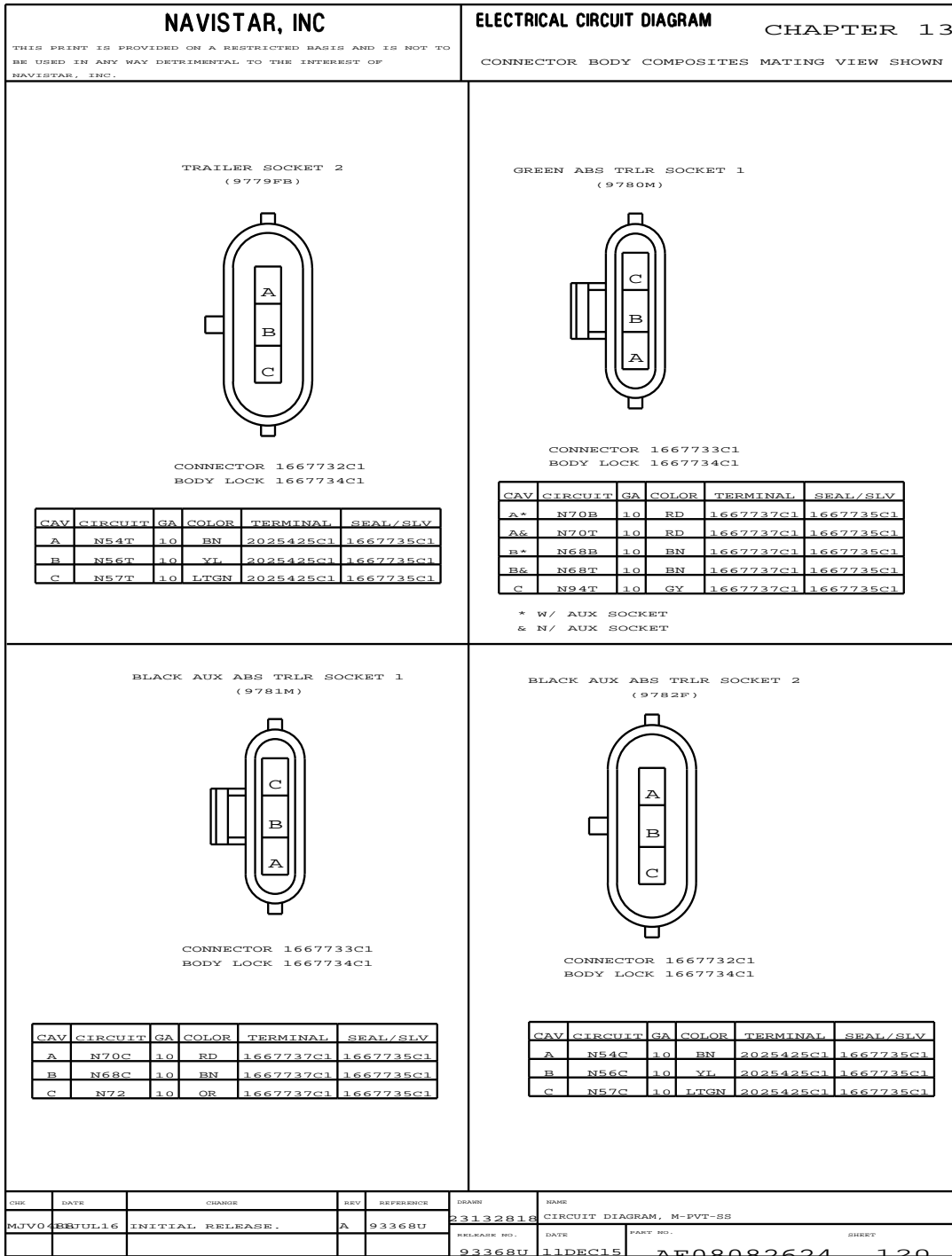


Figure 464 Connector Composites (9779FB / 9780M / 9781M / 9782F)

13.158. CONNECTOR COMPOSITES (9783F / 9784 / 9790MB / 9800), P. 121

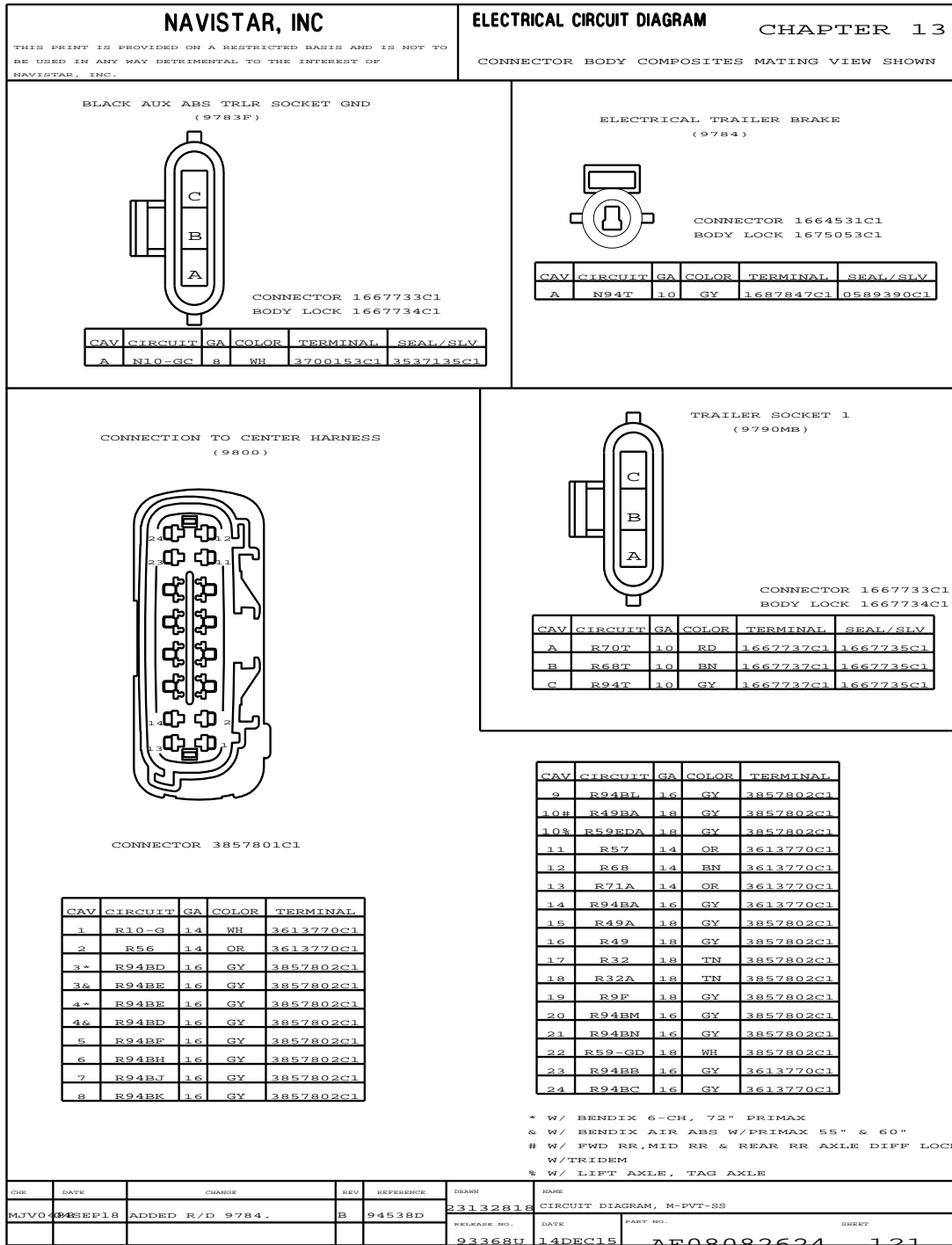


Figure 465 Connector Composites (9783F / 9784 / 9790MB / 9800)

13.159. CONNECTOR COMPOSITES (9800F / 9802 / 9812), P. 122

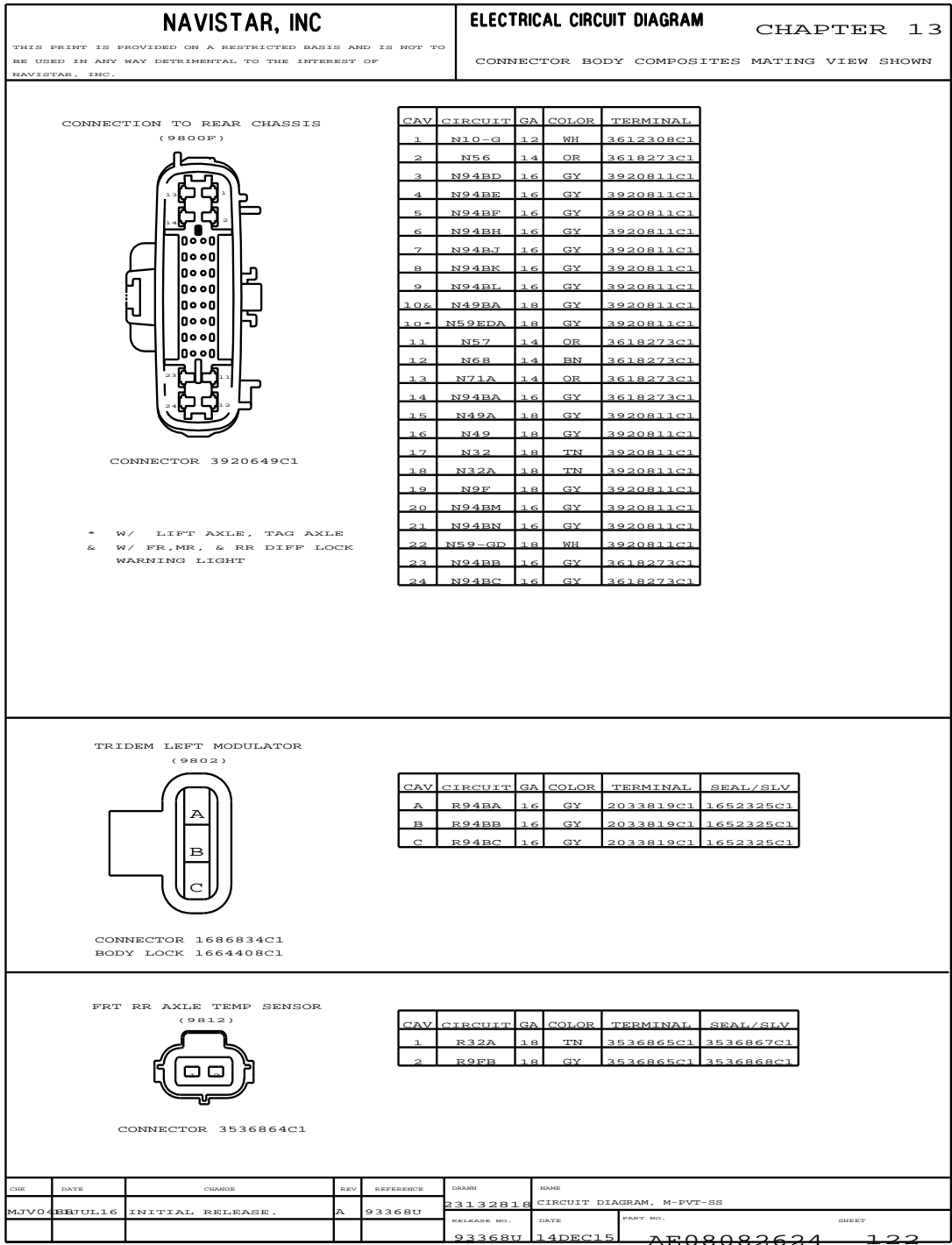


Figure 466 Connector Composites (9800F / 9802 / 9812)

13.160. CONNECTOR COMPOSITES (9813 / 9814A / 9814B / 9814C), P. 123

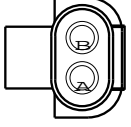
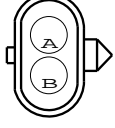
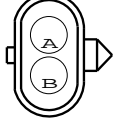

NAVISTAR, INC				ELECTRICAL CIRCUIT DIAGRAM		CHAPTER 13																			
THIS PRINT IS PROVIDED ON A RESTRICTED BASIS AND IS NOT TO BE USED IN ANY WAY DETRIMENTAL TO THE INTEREST OF NAVISTAR, INC.				CONNECTOR BODY COMPOSITES MATING VIEW SHOWN																					
<p>MID REAR AXLE DIFF LOCK WARN LT (9813)</p>  <p>CONNECTOR 3593684C91</p> <table border="1" style="margin-left: auto; margin-right: auto;"> <thead> <tr> <th>CAV</th> <th>CIRCUIT</th> <th>GA</th> <th>COLOR</th> <th>TERMINAL</th> <th>SEAL/SLV</th> </tr> </thead> <tbody> <tr> <td>A</td> <td>R49BA</td> <td>18</td> <td>GY</td> <td>0587578C1</td> <td>3517771C1</td> </tr> <tr> <td>B</td> <td>R49B-G</td> <td>18</td> <td>WH</td> <td>0587578C1</td> <td>1652325C1</td> </tr> </tbody> </table>								CAV	CIRCUIT	GA	COLOR	TERMINAL	SEAL/SLV	A	R49BA	18	GY	0587578C1	3517771C1	B	R49B-G	18	WH	0587578C1	1652325C1
CAV	CIRCUIT	GA	COLOR	TERMINAL	SEAL/SLV																				
A	R49BA	18	GY	0587578C1	3517771C1																				
B	R49B-G	18	WH	0587578C1	1652325C1																				
<p>ALL PRIMAX FR RR DIFF WARN LIGHT (9814A)</p>  <p>CONNECTOR 0587567C91</p> <table border="1" style="margin-left: auto; margin-right: auto;"> <thead> <tr> <th>CAV</th> <th>CIRCUIT</th> <th>GA</th> <th>COLOR</th> <th>TERMINAL</th> <th>SEAL/SLV</th> </tr> </thead> <tbody> <tr> <td>A</td> <td>R49</td> <td>18</td> <td>GY</td> <td>0587578C1</td> <td>3517771C1</td> </tr> <tr> <td>B</td> <td>R49-G</td> <td>18</td> <td>WH</td> <td>0587578C1</td> <td>1652325C1</td> </tr> </tbody> </table>								CAV	CIRCUIT	GA	COLOR	TERMINAL	SEAL/SLV	A	R49	18	GY	0587578C1	3517771C1	B	R49-G	18	WH	0587578C1	1652325C1
CAV	CIRCUIT	GA	COLOR	TERMINAL	SEAL/SLV																				
A	R49	18	GY	0587578C1	3517771C1																				
B	R49-G	18	WH	0587578C1	1652325C1																				
<p>6X4, 6X6 FRT RR AXLE DIFF WARN LT (9814B)</p>  <p>CONNECTOR 0587567C91</p> <table border="1" style="margin-left: auto; margin-right: auto;"> <thead> <tr> <th>CAV</th> <th>CIRCUIT</th> <th>GA</th> <th>COLOR</th> <th>TERMINAL</th> <th>SEAL/SLV</th> </tr> </thead> <tbody> <tr> <td>A</td> <td>R49</td> <td>18</td> <td>GY</td> <td>0587578C1</td> <td>3517771C1</td> </tr> <tr> <td>B</td> <td>R49-G</td> <td>18</td> <td>WH</td> <td>0587578C1</td> <td>1652325C1</td> </tr> </tbody> </table>								CAV	CIRCUIT	GA	COLOR	TERMINAL	SEAL/SLV	A	R49	18	GY	0587578C1	3517771C1	B	R49-G	18	WH	0587578C1	1652325C1
CAV	CIRCUIT	GA	COLOR	TERMINAL	SEAL/SLV																				
A	R49	18	GY	0587578C1	3517771C1																				
B	R49-G	18	WH	0587578C1	1652325C1																				
<p>6X4, 6X6 FRT RR AXLE DIFF WARN LT (9814C)</p>  <p>CONNECTOR 3593684C91</p> <table border="1" style="margin-left: auto; margin-right: auto;"> <thead> <tr> <th>CAV</th> <th>CIRCUIT</th> <th>GA</th> <th>COLOR</th> <th>TERMINAL</th> <th>SEAL/SLV</th> </tr> </thead> <tbody> <tr> <td>A</td> <td>R49</td> <td>18</td> <td>GY</td> <td>0587578C1</td> <td>3517771C1</td> </tr> <tr> <td>B</td> <td>R49-G</td> <td>18</td> <td>WH</td> <td>0587578C1</td> <td>1652325C1</td> </tr> </tbody> </table>								CAV	CIRCUIT	GA	COLOR	TERMINAL	SEAL/SLV	A	R49	18	GY	0587578C1	3517771C1	B	R49-G	18	WH	0587578C1	1652325C1
CAV	CIRCUIT	GA	COLOR	TERMINAL	SEAL/SLV																				
A	R49	18	GY	0587578C1	3517771C1																				
B	R49-G	18	WH	0587578C1	1652325C1																				
CHK	DATE	CHANGE	REV	REFERENCE	DRAWN	NAME																			
MJVD	08JUL16	INITIAL RELEASE.	A	93368U	23132818	CIRCUIT DIAGRAM, M-PVT-SS																			
					RELEASE NO.	DATE	PART NO.																		
					93368U	14DEC15	AE08082624																		
						SHEET	123																		

Figure 467 Connector Composites (9813 / 9814A / 9814B / 9814C)

13.161. CONNECTOR COMPOSITES (9814D / 9815 / 9822 / 9824 / 9900A), P. 124

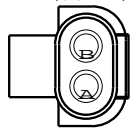
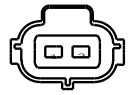
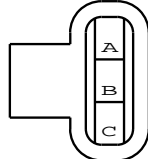
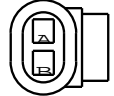
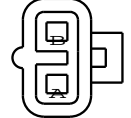
NAVISTAR, INC				ELECTRICAL CIRCUIT DIAGRAM		CHAPTER 13																									
THIS PRINT IS PROVIDED ON A RESTRICTED BASIS AND IS NOT TO BE USED IN ANY WAY DETRIMENTAL TO THE INTEREST OF NAVISTAR, INC.				CONNECTOR BODY COMPOSITES MATING VIEW SHOWN																											
<p>ALL PRIMAX FR RR DIFF WARM LIGHT (9814D)</p>  <p>CONNECTOR 3593684C91</p>																															
<table border="1" style="width: 100%; border-collapse: collapse; font-size: x-small;"> <thead> <tr> <th>CAV</th> <th>CIRCUIT</th> <th>GA</th> <th>COLOR</th> <th>TERMINAL</th> <th>SEAL/SLV</th> </tr> </thead> <tbody> <tr> <td>A</td> <td>R49</td> <td>18</td> <td>GY</td> <td>0587578C1</td> <td>3517771C1</td> </tr> <tr> <td>B</td> <td>R49-G</td> <td>18</td> <td>WH</td> <td>0587578C1</td> <td>1652325C1</td> </tr> </tbody> </table>								CAV	CIRCUIT	GA	COLOR	TERMINAL	SEAL/SLV	A	R49	18	GY	0587578C1	3517771C1	B	R49-G	18	WH	0587578C1	1652325C1						
CAV	CIRCUIT	GA	COLOR	TERMINAL	SEAL/SLV																										
A	R49	18	GY	0587578C1	3517771C1																										
B	R49-G	18	WH	0587578C1	1652325C1																										
<p>TRIDEM FR RR AXLE TEMP SENSOR (9815)</p>  <p>CONNECTOR 3536864C1</p>																															
<table border="1" style="width: 100%; border-collapse: collapse; font-size: x-small;"> <thead> <tr> <th>CAV</th> <th>CIRCUIT</th> <th>GA</th> <th>COLOR</th> <th>TERMINAL</th> <th>SEAL/SLV</th> </tr> </thead> <tbody> <tr> <td>1</td> <td>R32A</td> <td>18</td> <td>TN</td> <td>3536865C1</td> <td>3536867C1</td> </tr> <tr> <td>2</td> <td>R9FB</td> <td>18</td> <td>GY</td> <td>3536865C1</td> <td>3536868C1</td> </tr> </tbody> </table>								CAV	CIRCUIT	GA	COLOR	TERMINAL	SEAL/SLV	1	R32A	18	TN	3536865C1	3536867C1	2	R9FB	18	GY	3536865C1	3536868C1						
CAV	CIRCUIT	GA	COLOR	TERMINAL	SEAL/SLV																										
1	R32A	18	TN	3536865C1	3536867C1																										
2	R9FB	18	GY	3536865C1	3536868C1																										
<p>TRIDEM RIGHT MODULATOR (9822)</p>  <p>CONNECTOR 1686834C1 BODY LOCK 1664408C1</p>																															
<table border="1" style="width: 100%; border-collapse: collapse; font-size: x-small;"> <thead> <tr> <th>CAV</th> <th>CIRCUIT</th> <th>GA</th> <th>COLOR</th> <th>TERMINAL</th> <th>SEAL/SLV</th> </tr> </thead> <tbody> <tr> <td>A</td> <td>R94BT</td> <td>16</td> <td>GY</td> <td>2033819C1</td> <td>1652325C1</td> </tr> <tr> <td>B</td> <td>R94BK</td> <td>16</td> <td>GY</td> <td>2033819C1</td> <td>1652325C1</td> </tr> <tr> <td>C</td> <td>R94BL</td> <td>16</td> <td>GY</td> <td>2033819C1</td> <td>1652325C1</td> </tr> </tbody> </table>								CAV	CIRCUIT	GA	COLOR	TERMINAL	SEAL/SLV	A	R94BT	16	GY	2033819C1	1652325C1	B	R94BK	16	GY	2033819C1	1652325C1	C	R94BL	16	GY	2033819C1	1652325C1
CAV	CIRCUIT	GA	COLOR	TERMINAL	SEAL/SLV																										
A	R94BT	16	GY	2033819C1	1652325C1																										
B	R94BK	16	GY	2033819C1	1652325C1																										
C	R94BL	16	GY	2033819C1	1652325C1																										
<p>TAG AXLE (9824)</p>  <p>CONNECTOR 1661778C1 BODY LOCK 1661874C1</p>																															
<table border="1" style="width: 100%; border-collapse: collapse; font-size: x-small;"> <thead> <tr> <th>CAV</th> <th>CIRCUIT</th> <th>GA</th> <th>COLOR</th> <th>TERMINAL</th> <th>SEAL/SLV</th> </tr> </thead> <tbody> <tr> <td>A</td> <td>R59EDA</td> <td>18</td> <td>GY</td> <td>1661875C1</td> <td>3568570C1</td> </tr> <tr> <td>B</td> <td>R59-GD</td> <td>18</td> <td>WH</td> <td>1661875C1</td> <td>3568570C1</td> </tr> </tbody> </table>								CAV	CIRCUIT	GA	COLOR	TERMINAL	SEAL/SLV	A	R59EDA	18	GY	1661875C1	3568570C1	B	R59-GD	18	WH	1661875C1	3568570C1						
CAV	CIRCUIT	GA	COLOR	TERMINAL	SEAL/SLV																										
A	R59EDA	18	GY	1661875C1	3568570C1																										
B	R59-GD	18	WH	1661875C1	3568570C1																										
<p>LEFT SIDE AIR DRYER (9900A)</p>  <p>CONNECTOR 1673790C1 BODY LOCK 1673791C1</p>																															
<table border="1" style="width: 100%; border-collapse: collapse; font-size: x-small;"> <thead> <tr> <th>CAV</th> <th>CIRCUIT</th> <th>GA</th> <th>COLOR</th> <th>TERMINAL</th> <th>SEAL/SLV</th> </tr> </thead> <tbody> <tr> <td>A</td> <td>N39B</td> <td>16</td> <td>GY</td> <td>2033819C1</td> <td>1652325C1</td> </tr> <tr> <td>B</td> <td>N39-GB</td> <td>16</td> <td>WH</td> <td>2033819C1</td> <td>1652325C1</td> </tr> </tbody> </table>								CAV	CIRCUIT	GA	COLOR	TERMINAL	SEAL/SLV	A	N39B	16	GY	2033819C1	1652325C1	B	N39-GB	16	WH	2033819C1	1652325C1						
CAV	CIRCUIT	GA	COLOR	TERMINAL	SEAL/SLV																										
A	N39B	16	GY	2033819C1	1652325C1																										
B	N39-GB	16	WH	2033819C1	1652325C1																										
CHK	DATE	CHANGE	REV	REFERENCE	DRAWN	NAME																									
MJVD	08JUL16	INITIAL RELEASE.	A	93368U	23132818	CIRCUIT DIAGRAM, M-PVT-SS																									
RELEASE NO.				DATE	PART NO.	SHEET																									
93368U				14DEC15	AE08082624	124																									

Figure 468 Connector Composites (9814D / 9815 / 9822 / 9824 / 9900A)