

H42552

-UN-10NOV94



JOHN DEERE CTS COMBINE WITH 900 SERIES PLATFORM

JOHN DEERE CTS (RICE) COMBINE SERIAL NO. (645501- )

JOHN DEERE CTS (SMALL GRAIN) COMBINE SERIAL NO. (660401- )

(SPECIFICATIONS AND DESIGN SUBJECT TO CHANGE WITHOUT NOTICE)

## NOTE

FOR 900 SERIES PLATFORM PARTS INFORMATION, REFER TO JOHN DEERE 900 SERIES PLATFORM PARTS CATALOG - PC-2104.

FOR 40 SERIES CORN HEAD PARTS INFORMATION, REFER TO JOHN DEERE 40 SERIES CORN HEAD PARTS CATALOG - PC-1223.

FOR 50A SERIES ROW-CROP HEAD PARTS INFORMATION, REFER TO JOHN DEERE 50A SERIES ROW-CROP HEAD PARTS CATALOG - PC-1747.

FOR THREE-ROLLER BELT PICKUP PARTS INFORMATION, REFER TO JOHN DEERE THREE-ROLLER BELT PICKUP PARTS CATALOG - PC-2210.

FOR 918 AND 920 DRAPER PARTS INFORMATION, REFER TO JOHN DEERE 918 AND 920 DRAPER PLATFORMS PARTS CATALOG - PC-2212.

FOR 90 SERIES CORN HEAD PARTS INFORMATION, REFER TO JOHN DEERE 90 SERIES CORN HEAD PARTS CATALOG - PC-2404.

## IMPORTANT

THIS PARTS CATALOG CONTAINS PARTS INFORMATION FOR THE CTS COMBINE.  
VINTAGE IS DETERMINED BY THE COMBINE SERIAL NUMBER OR THE PRODUCT IDENTIFICATION NUMBER (PIN).  
IT IS IMPORTANT THAT THE CORRECT NUMBERS BE USED WHEN ORDERING PARTS.

## PRODUCT INFORMATION NUMBER (PIN) PLATE

THE PRODUCT IDENTIFICATION PLATE (PIN) IS LOCATED NEAR THE RIGHT HAND SIDE OF THE TOOL BOX.  
**AN EXAMPLE OF THE TWO-LINES ON THIS PIN PLATE IS:**

HO0CTSX640101  
COMBINE

(FIRST LINE)

HO - MANUFACTURING UNIT (HARVESTER WORKS)

0CTS - MODEL IDENTIFIER

X - CONFIGURATION CODE/MODELIDENTIFIER SUFFIX

640101 - SEQUENTIAL NUMBER USED IN SERIAL NO. COLUMN

(SECOND LINE)

COMBINE - TYPE OF PRODUCT

*COPYRIGHT (C) 2000. DEERE & COMPANY. MOLINE, ILLINOIS. ALL RIGHTS RESERVED.*

## PARTS LISTING INFORMATION

SERIAL NUMBER OR PRODUCT IDENTIFICATION NUMBER (PIN) INFORMATION SHOWS ON WHICH MACHINES PART MAY BE USED; FOR EXAMPLE:

- THE PART CAN BE USED ON ALL MACHINES.
- 000000 THE PART CAN BE USED ON ALL MACHINES UP TO AND INCLUDING THE SERIAL NUMBER LISTED.
- 000000- THE PART CAN BE USED ON ALL MACHINES BEGINNING WITH THE SERIAL NUMBER LISTED.
- 000000-000000 THE PART CAN BE USED ON ALL MACHINES BETWEEN AND INCLUDING SERIAL NUMBERS LISTED.

WHEN XXXXXX'S ARE LISTED IN PLACE OF A SERIAL NUMBER, A SERIAL NUMBER CHANGE WAS MADE, BUT THE EXACT SERIAL NUMBER IS NOT AVAILABLE WHEN THE CATALOG WAS PRINTED.

### SHORT BLOCK SERIAL NUMBER PLATE

( -RGSB076882500)

RGP3513 -UN-01JAN94



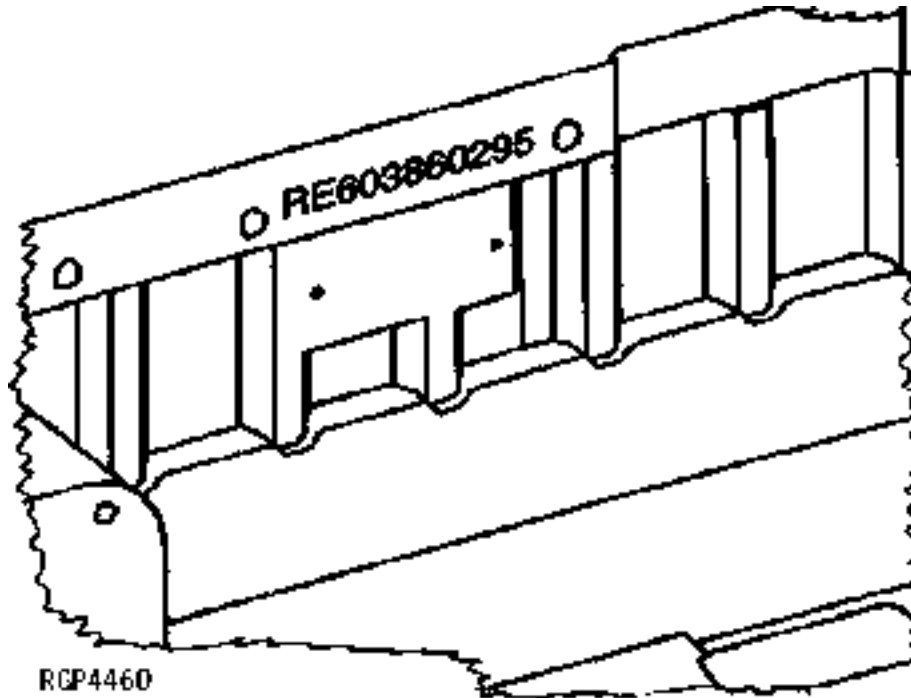
RGP3513

THE REPLACEMENT SHORT BLOCK ASSEMBLY HAS A SERIAL NUMBER PLATE ATTACHED. THE ORIGINAL ENGINE SERIAL NUMBER MUST BE STAMPED ONTO THE NEW PLATE IN THE BLANK SPACE PROVIDED, AS A REFERENCE FOR YOUR DEALER. THE PLATE CAN BE ATTACHED WITH (2) 37H44 DRIVE SCREWS.

- |                                       |                            |
|---------------------------------------|----------------------------|
| 1. DESIGNATES ENGINE MANUFACTURER     | RG - WATERLOO ENGINE WORKS |
| 2. DESIGNATES REPLACEMENT SHORT BLOCK | SB                         |
| 3. DESIGNATES LITERS                  | XXX- 076 (7.6)             |
| 4. DESIGNATES THE PRODUCTION DATE     | 8825                       |
| 5. DESIGNATES COMPONENT SEQUENCE      | 00                         |

## SHORT BLOCK SERIAL NUMBER IDENTIFICATION

(RE603860295- )  
RGP4460 -UN-04MAR95



SERIAL NUMBER STAMPED INTO CASTING OF BLOCK NEAR PREVIOUS SERIAL NUMBER PLATE.

EXAMPLE: RE603860295

- |                                   |         |
|-----------------------------------|---------|
| 1. DESIGNATES SERVICE PART NUMBER | RE60386 |
| 2. DESIGNATES MONTH ASSEMBLED     | 02      |
| 3. DESIGNATES YEAR ASSEMBLED      | 95      |

## TWO LINE BAR CODED ENGINE SERIAL NUMBER PLATE (LOCATED ON FUEL INJECTION PUMP SIDE OF ENGINE)

RGP3513 -UN-01JAN94



RGP3513

### FIRST LINE

### DEFINES

RG - WATERLOO ENGINE WORKS

DESIGNATES ENGINE MANUFACTURER.

6

DESIGNATES NUMBER OF CYLINDERS.

076 (7.6 LITERS)

DESIGNATES LITER DISPLACEMENT.

H - AIR-TO-AIR

XXXXXX

DESIGNATES ENGINE SERIAL NUMBER.

### SECOND LINE

6076

CTS

### ADDITIONAL ENGINE INFORMATION

ENGINE MODEL      ENGINE SERIAL NO.

6076HH030 (260 HP) (      -565536)

6076HH034 (260 HP) (565537-      )

## **DIRECTION ARROW**

ARROWS ARE USED WITH ILLUSTRATIONS TO INDICATE THE FRONT OF THE UNIT. "RIGHT-HAND" AND "LEFT-HAND" SIDES ARE DETERMINED BY FACING IN THE DIRECTION OF MACHINE FORWARD TRAVEL.

## **BOX-ENCLOSED ILLUSTRATIONS**

A KEY NUMBER, SHOWN IN THE PARTS LIST, IS ASSIGNED TO A BOX ENCLOSING ALL PARTS SOLD AS A SERVICE ASSEMBLY. A BOX NOT KEYED INCLUDES NON-CURRENT PARTS.

## **KITS**

KIT INFORMATION WILL BE FOUND IMMEDIATELY FOLLOWING THE STORY IN WHICH IT IS USED. THE ILLUSTRATION IS REPEATED WITH ONLY THE KIT PARTS CALLED OUT AND WITH ALL OTHER PARTS SHOWN IN PHANTOM.

## **JDM REMANUFACTURED COMPONENTS**

THE SERVICE PARTS LISTED IN THIS CATALOG ARE INTENDED FOR THE REPAIR OF ORIGINAL EQUIPMENT COMPONENTS. ALTHOUGH MOST SERVICE PARTS MAY BE USED TO REPAIR REMANUFACTURED COMPONENTS, THE REMANUFACTURED DESIGN MAY CHANGE PARTS SUFFICIENTLY SO THAT SERVICE PARTS ARE INADEQUATE OR NOT USABLE.

## **BOLT AND CAP SCREW STRENGTH IDENTIFICATION**

BOLTS AND CAP SCREWS REQUIRED TO HAVE HIGH-STRENGTH QUALITIES EQUIVALENT TO SAE GRADE 8 ARE IDENTIFIED THROUGHOUT THIS CATALOG BY THE DESCRIPTION HS SAE 8. ALL STANDARD BOLTS AND CAP SCREWS ARE SAE GRADE 5 OR LOWER. BOLTS AND CAP SCREWS REQUIRED TO HAVE HIGH-STRENGTH QUALITIES EQUIVALENT TO PROPERTY CLASS 10.9 ARE IDENTIFIED THROUGHOUT THIS CATALOG BY THE DESCRIPTION HS 10.9. ALL STANDARD BOLTS AND CAP SCREWS ARE PROPERTY CLASS 8.8 OR LOWER.

## **SI UNITS OF MEASURE**

METRIC DIMENSIONS ARE GIVEN, WHERE APPLICABLE, THROUGHOUT THIS PARTS CATALOG.

## TRADEMARKS

THROUGHOUT THIS PARTS CATALOG, YOU WILL FIND THE FOLLOWING DEERE & COMPANY TRADEMARKS:

DIAL-A-SPEED™  
DIAL-A-MATIC™  
HARVESTRAK™  
CONTOUR MASTER™

POSI-TORQ™  
TORQ-GARD SUPREME®  
QUIK-TATCH™

## CHANGE INDICATOR LINE

CHANGES AFFECTING THE ORDERING OF PARTS ARE IDENTIFIED BY VERTICAL LINES MARKED IN THE LEFT-HAND MARGIN OF REVISED PARTS LISTING IMAGES. A LINE IS ALSO AT THE LEFT-HAND EDGE OF THE SAME PART NUMBER IN THE NUMERICAL INDEX TO SHOW THE LOCATION OF REVISED INFORMATION.

## FUNCTION CODE

(EXAMPLE - FC: 5000)

FUNCTION CODES ARE LOCATED ON EACH PAGE IN THE UPPER RIGHT-HAND CORNER IN THE BOX. THE CODE LISTED IS A GROUPING CODE THAT CAN BE USED FOR WARRANTIES AND FOR DTAC TO IDENTIFY CERTAIN AREAS.

## COMPLETE GOODS LISTINGS

COMPLETE GOODS ARE IN BOLD FACE TYPE. ORDER SEPARATELY. DO NOT INCLUDE ON REPLACEMENT PARTS ORDER.

### FOR INDIVIDUAL HEADER PARTS CATALOGS REFER TO:

PC-2104 - PARTS CATALOG FOR JOHN DEERE 900 SERIES PLATFORMS

PC-2210 - PARTS CATALOG FOR JOHN DEERE THREE ROLLER BELT PICK-UP

PC-2212 - PARTS CATALOG FOR JOHN DEERE 918 DRAPER PLATFORMS

PC-1747 - PARTS CATALOG FOR JOHN DEERE 50A SERIES ROW-CROP HEADS

PC-1223 - PARTS CATALOG FOR JOHN DEERE 40 SERIES CORN HEADS

PC2404 - PARTS CATALOG FOR JOHN DEERE 90 SERIES CORN HEADS



SECTION INDEX

SECTION 10 - GENERAL INFORMATION

SECTION 20 - ENGINE FAN, INTERCOOLER AND SCREENS

SECTION 26 - 6076 ENGINE (HH030)

SECTION 30 - FUEL AND AIR

SECTION 40 - ELECTRICAL

SECTION 50 - POWER TRAIN

SECTION 60 - STEERING AND BRAKES

SECTION 70 - HYDRAULICS

SECTION 80 - SEPARATOR SHELL

SECTION 90 - OPERATOR'S STATION

SECTION 110 - FEEDER HOUSE

SECTION 120 - THRESHING AND SEPARATION

SECTION 121 - DRIVES

SECTION 125 - RESIDUE DISPOSAL

SECTION 130 - CLEAN GRAIN ELEVATOR, GRAIN TANK AND UNLOADING AUGER

SECTION 160 - DIAL-A-MATIC HEADER HEIGHT CONTROL

SECTION 170 - DECALS, BELTS AND CHAINS

SECTION 180 - NUMERICAL INDEX

## ALPHABETICAL INDEX

GRID	A	PAGE	GRID	PAGE	
4E21	A/C COMPRESSOR (650401- ) R134A .....	90 - 90	4D14	AIR SEAT SUSPENSION KITS (665401- ) .....	90 - 56
4E22	A/C COMPRESSOR COVER (650401- ) R134A .....	90 - 91	4D16	AIR SEAT SUSPENSION KITS (665401- ) .....	90 - 58
4E21	A/C COMPRESSOR DIODE (650401- ) R134A .....	90 - 90	4D18	AIR SEAT SUSPENSION KITS (665401- ) .....	90 - 60
4E21	A/C COMPRESSOR MANIFOLD (650401- ) R134A .....	90 - 90	2C5	AIR SEAT WIRING HARNESS (660401- ) .....	40 - 20
4E22	A/C COMPRESSOR PULLEY (650401- ) R134A .....	90 - 91	4D12	AIR SUSPENSION KITS, SEAT (665401- ) .....	90 - 54
4E21	A/C COMPRESSOR SEAL (650401- ) R134A .....	90 - 90	4D14	AIR SUSPENSION KITS, SEAT (665401- ) .....	90 - 56
4E24	A/C COMPRESSOR SEAL KIT (650401- ) R134A .....	90 - 93	4D16	AIR SUSPENSION KITS, SEAT (665401- ) .....	90 - 58
1B22	A/C CONDENSER .....	20 - 16	4D18	AIR SUSPENSION KITS, SEAT (665401- ) .....	90 - 60
3H1	A/C CONDENSER AND OIL COOLER .....	70 - 96	4D10	AIR SUSPENSION, SEAT (660401- ) .....	90 - 52
3I9	ACCESS DOOR, REAR HOOD AND STOP .....	80 - 26	1E23	ALTERNATOR ADJUSTING STRAP .....	26 - 76
3H23	ACCESS PLATFORM AND STEP, ENGINE .....	80 - 16	2E1	ALTERNATOR AND VOLTAGE REGULATOR (95 AMP ) , BOSCH .....	40 - 64
3J1	ACCESS SHIELD, SERVICE, L.H. ....	80 - 42	2E3	ALTERNATOR MOUNTING .....	40 - 66
3I23	ACCESS SHIELD, SERVICE, R.H. ....	80 - 40	1E23	ALTERNATOR SUPPORT STRAP .....	26 - 76
3E21	ACCUMULATOR AND MOUNTING, ONE GALLON (655401- ) .....	70 - 40	2D24	ALTERNATOR, SHEAVE AND BELT - BOSCH .....	40 - 63
3E17	ACCUMULATOR AND MOUNTING, ONE HALF GALLON, SINGLE .....	70 - 36	2C17	ANTENNA, SPEAKERS AND RADIO .....	40 - 32
3D7	ACCUMULATOR PRESSURE GAUGE AND WIRING HARNESS .....	70 - 2	5G15	ARM, LOCKOUT, DUAL-RANGE .....	121 - 38
3E19	ACCUMULATOR, ONE-HALF GALLON DUAL AND MOUNTING ( -655400) .....	70 - 38	3I3	ARM, REAR LADDER LANDING LATCH .....	80 - 20
4D6	ADJUST FORE-AND-AFT, SEAT .....	90 - 48	2I6	ARM, STEERING .....	50 - 52
3C16	ADJUSTABLE REAR AXLE .....	60 - 33	1E19	ARMATURE (DENSO) (12V F4) .....	26 - 72
3C19	ADJUSTABLE REAR AXLE STEERING TIE RODS .....	60 - 36	3F18	ARMATURE, SOLENOID CONTROL VALVE KIT FOR AUGER SWING .....	70 - 62
4D8	ADJUSTER, CAB SEAT HEIGHT .....	90 - 50	4D24	ARMREST (L.H.) .....	90 - 66
5G23	ADJUSTING BRACKET, CYLINDER DRIVE, DUAL-RANGE .....	121 - 46	4D22	ARMREST ADJUSTING MECHANISM, (R.H.) .....	90 - 64
1F12	AIR CLEANER AND INTAKE TUBES .....	30 - 12	2B24	ARMREST CONTROL PANEL .....	40 - 14
2C9	AIR CONDITIONER AND HEATER SWITCH .....	40 - 24	2B22	ARMREST WIRING HARNESS .....	40 - 12
2C7	AIR CONDITIONER PRESSURIZER FAN KIT (640401-650400) .....	40 - 22	4D20	ARMREST WITH GLOVE BOX (R.H.) .....	90 - 62
2C5	AIR CONDITIONER WIRING HARNESS (660401- ) .....	40 - 20	5D13	ARMS, FRAME, PRECLEANER CHAFFER .....	120 - 56
2C3	AIR CONDITIONER, HEATER WIRING HARNESS ( -660400) .....	40 - 18	1D3	ARMS, ROCKER .....	26 - 26
4C16	AIR CONDITIONING AND HEATER DUCTS .....	90 - 33	1C9	ASSEMBLY, COMPLETE BLOCK (ESN 500000- ) .....	26 - 6
4E6	AIR CONDITIONING AND HEATER HOUSING FILTERS .....	90 - 74	2H11	ASSEMBLY, HYDROSTATIC DRIVE PISTON .....	50 - 32
4E16	AIR CONDITIONING COMPRESSOR ( -650400) R-12 .....	90 - 84	3G1	ASSEMBLY, SIX STACK SOLENOID CONTROL VALVE (660401- ) .....	70 - 72
4E10	AIR CONDITIONING SYSTEM .....	90 - 78	3B23	ATTENUATOR,UPPER, HYDRAULIC STEERING HOSES .....	60 - 16
4E12	AIR CONDITIONING SYSTEM, COMPRESSOR ( -650400) R-12 .....	90 - 80	6H18	AUGER BELTS .....	170 - 2
4E14	AIR CONDITIONING SYSTEM, COMPRESSOR (650401- ) R134A .....	90 - 82	6E2	AUGER CHAIN TIGHTENER, LOWER TAILINGS .....	125 - 70
4E8	AIR CONDITIONING/HEATER AND PRESSURIZER FAN .....	90 - 76	5C19	AUGER CLEANOUT DOOR, SHOE GRAIN SUPPLY, HANDLES AND LATCHES .....	120 - 36
3H21	AIR DEFLECTOR, AIR DUCT, ENGINE COMPARTM ENT .....	80 - 14	6E8	AUGER DRIVE SHIELD, UPPER TAILINGS .....	125 - 76
3H21	AIR DUCT AND AIR DEFLECTOR, ENGINE COMPA RTMENT .....	80 - 14	6E10	AUGER DRIVE SHIELD, UPPER TAILINGS .....	125 - 78
4C15	AIR FILTER AND HOUSING, CAB .....	90 - 32	3I17	AUGER DRIVE SHIELDS (R-H SIDE) .....	80 - 34
1B22	AIR INTERCOOLER .....	20 - 16	6E4	AUGER DRIVE TIGHTENER, LOWER TAILINGS .....	125 - 72
4D10	AIR SEAT SUSPENSION (660401- ) .....	90 - 52	6E8	AUGER DRIVE, UPPER TAILINGS .....	125 - 76
4D12	AIR SEAT SUSPENSION KITS (665401- ) .....	90 - 54	6E10	AUGER DRIVE, UPPER TAILINGS .....	125 - 78
			6F9	AUGER HOUSING, LOADING, UPPER CLEAN GRAIN .....	130 - 12
			6F11	AUGER HOUSING, LOADING, UPPER CLEAN GRAIN (660401- ) .....	130 - 14
			2D21	AUGER LIGHT, UNLOADING, GRAIN TANK .....	40 - 60
			6G5	AUGER LOWER GEAR CASE, VERTICAL .....	130 - 34
			2D7	AUGER SENSOR AND WIRING HARNESS, UNLOADING (660401- ) .....	40 - 46
			3F17	AUGER SWING SOLENOID CONTROL VALVE .....	70 - 61
			3F18	AUGER SWING, ARMATURE, SOLENOID CONTROL VALVE KIT .....	70 - 62

## ALPHABETICAL INDEX - CONTINUED

GRID	PAGE	GRID	PAGE
3F16	70 - 60	1C20	26 - 17
3G11	70 - 82	2H21	50 - 42
3G13	70 - 84	2G18	50 - 14
6G11	130 - 40	2G20	50 - 16
6G9	130 - 38	6H21	170 - 5
6F9	130 - 12	5C17	120 - 34
6D21	125 - 64	5C11	120 - 28
2D7	40 - 46	5C13	120 - 30
6E23	130 - 2	5C15	120 - 32
6H3	130 - 56	5C9	120 - 26
6G22	130 - 50	5C7	120 - 24
6G15	130 - 44	5C5	120 - 22
6G13	130 - 42	6H6	130 - 60
6F13	130 - 16	5H17	121 - 64
6F15	130 - 18	4H11	110 - 54
6H19	170 - 3	4D3	90 - 44
6D19	125 - 62	4D4	90 - 45
6H4	130 - 58	4D5	90 - 46
6H6	130 - 60	6H19	170 - 3
6H9	130 - 64	6H18	170 - 2
6E8	125 - 76	6H21	170 - 5
6E10	125 - 78	6H19	170 - 3
6E6	125 - 74	6H18	170 - 2
6G7	130 - 36	6H19	170 - 3
6H1	130 - 54	6H19	170 - 3
5C22	120 - 40	6H20	170 - 4
5C20	120 - 38	6H18	170 - 2
2B14	40 - 4	6H20	170 - 4
2B20	40 - 10	6H21	170 - 5
2G9	50 - 5	6H19	170 - 3
2H2	50 - 23	6H20	170 - 4
3C17	60 - 34	6H20	170 - 4
2G8	50 - 4	6H21	170 - 5
3C16	60 - 33	6H21	170 - 5
3C23	60 - 40	6H18	170 - 2
3C15	60 - 32	1C9	26 - 6
		1C13	26 - 10
		1C11	26 - 8
		1D1	26 - 24
		2E1	40 - 64
		2D24	40 - 63
		4C7	90 - 24
		6G11	130 - 40
		3B20	60 - 13
		2F2	40 - 90
		5C3	120 - 20
		2C10	40 - 25
		3F25	70 - 70
		3B20	60 - 13
		3B13	60 - 6
		3B15	60 - 8
		3B9	60 - 2

### B

4D1	90 - 42
2F10	40 - 98
6H9	130 - 64
2D19	40 - 58
2E19	40 - 82
5E16	120 - 84
2H1	50 - 22
6G24	130 - 52
2I1	50 - 47
1C20	26 - 17
1D12	26 - 38
6D25	125 - 68
2H2	50 - 23
2H3	50 - 24

## ALPHABETICAL INDEX - CONTINUED

GRID		PAGE	GRID		PAGE
3B11	BRAKE PEDALS .....	60 - 4	2E17	CENTRAL ELECTRONICS MODULE AND CIRCUIT BOARDS .....	40 - 80
3B17	BRAKE SHOES AND DRUM.....	60 - 10	6C20	CHAFF SPREADER (BELT TYPE) FRAME, SHIELDS AND HANDLES ( -650400).....	125 - 38
3B19	BRAKE SLAVE CYLINDER .....	60 - 12	6C24	CHAFF SPREADER (BELT TYPE) PAN AND SEALS ( -650400) .....	125 - 42
2E9	BREAKERS, CIRCUIT, ENGINE COMPARTMENT .....	40 - 72	6D15	CHAFF SPREADER (DUAL MOTOR) HOSES AND LINES (650401- ) .....	125 - 58
2E6	BREAKERS, CIRCUIT, ENGINE COMPARTMENT ( -660400) .....	40 - 69	6D1	CHAFF SPREADER (DUAL MOTOR) PAN, WINGS AND SEALS (650401- ) .....	125 - 44
2E7	BREAKERS, CIRCUIT, ENGINE COMPARTMENT (660401- ) .....	40 - 70	6C22	CHAFF SPREADER (DUAL MOTOR) SHIELDS AND HANDLES (650401- ) .....	125 - 40
1C24	BUSHING, CAMSHAFT .....	26 - 21	6D5	CHAFF SPREADER CONTROL, CHECK VALVE, ROD AND KNOB.....	125 - 48
1C7	BUSHING, CAMSHAFT (6076) .....	26 - 4	6C16	CHAFF SPREADER DISC (BELT TYPE) ( -650400) .....	125 - 34
1D9	BYPASS VALVE, OIL FILTER.....	26 - 34	6C18	CHAFF SPREADER DISC (DUAL MOTOR) (650401- ) .....	125 - 36
<b>C</b>					
4C15	CAB AIR FILTER AND HOUSING .....	90 - 32	6D13	CHAFF SPREADER HOSES, LINES AND MOTOR ( -650400) .....	125 - 56
2B11	CAB DOME LIGHT .....	40 - 1	6D9	CHAFF SPREADER LINES AND FITTINGS .....	125 - 52
4B20	CAB DOOR AND GLASS .....	90 - 12	6D11	CHAFF SPREADER LINES, HOSES, VALVE AND PUMP .....	125 - 54
4B18	CAB DOOR LATCH.....	90 - 10	3D14	CHAFF SPREADER MOTOR (EATON) (655929- ) .....	70 - 9
4B22	CAB FRAME AND SUPPORT.....	90 - 14	6D3	CHAFF SPREADER MOUNTING SUPPORT .....	125 - 46
4F3	CAB HARDWARE KIT .....	90 - 96	6D17	CHAFF SPREADER PUMP .....	125 - 60
4B16	CAB INTERIOR TRIM PANELS .....	90 - 8	5H3	CHAFFER DRIVE, CONVEYOR AUGERS AND SIEVE .....	121 - 50
4C11	CAB L.H. LANDING AND MIRROR (650401- ) .....	90 - 28	5D15	CHAFFER ELEMENT.....	120 - 58
4C9	CAB LANDING AND MIRROR (L.H.) ( -650400) .....	90 - 26	5D17	CHAFFER ELEMENT.....	120 - 60
4C13	CAB LANDING AND MIRROR (R.H.) .....	90 - 30	5D19	CHAFFER EXTENSION ELEMENT .....	120 - 62
4B10	CAB PANELS AND FLOOR MAT .....	90 - 2	5D21	CHAFFER FRAME .....	120 - 64
2B16	CAB POST INSTRUMENT PANEL .....	40 - 6	5D13	CHAFFER FRAME ARMS, PRECLEANER .....	120 - 56
4C17	CAB POST INSTRUMENT PANEL .....	90 - 34	5D9	CHAFFER FRAME, PRECLEANER .....	120 - 52
4F5	CAB POST INSTRUMENT PANEL LH (EXPORT ONLY) .....	90 - 98	5D5	CHAFFER, PRECLEANING ( -655400) .....	120 - 48
4B14	CAB REAR AND SIDE SEALS .....	90 - 6	5D7	CHAFFER, PRECLEANING (655401- ) .....	120 - 50
4B24	CAB ROOF AND SUPPORTS.....	90 - 16	6E2	CHAIN TIGHTENER, LOWER TAILINGS AUGER .....	125 - 70
2B18	CAB ROOF LIGHTS .....	40 - 8	4G16	CHAIN, IDLER SHAFT AND DRUM, FEEDER CONVEYOR.....	110 - 34
4D8	CAB SEAT HEIGHT ADJUSTER .....	90 - 50	6D25	CHAIN, SPROCKETS AND BEARINGS, TAILINGS ELEVATOR CONVEYOR .....	125 - 68
4B12	CAB SOUND DEADENING, FOAM AND SEALS.....	90 - 4	6H3	CHANNEL AND COVERS, CROSS AUGER .....	130 - 56
2B12	CAB WIRING HARNESS.....	40 - 2	6G7	CHARGE HOUSING, VERTICAL UNLOADING AUGER.....	130 - 36
2G12	CABLE AND SWITCH, HYDROSTATIC DRIVE LEVE R.....	50 - 8	3F3	CHARGE PRESSURE HOSE .....	70 - 46
5C3	CABLE, CONCAVE INDICATOR, AND BRACKETS .....	120 - 20	5H17	CHARGE PUMP MOUNTING AND SHEAVE, REEL/ BELT PICKUP .....	121 - 64
2G14	CABLE, HYDROSTATIC DRIVE CONTROL.....	50 - 10	2H12	CHARGE PUMP, HYDROSTATIC DRIVE .....	50 - 33
2D19	CABLES, BATTERY.....	40 - 58	6D5	CHECK VALVE, ROD, KNOB AND CONTROL, CHAFF SPREADER .....	125 - 48
2H20	CAM LOBE MOTOR .....	50 - 41	6G5	CHUTE, GRAIN TANK CLEAN OUT CHUTE.....	130 - 34
2I2	CAM, CARRIER AND PISTONS .....	50 - 48	2B16	CIRCUIT BOARD, COMBINE DATA CENTER.....	40 - 6
2G24	CAM, SHIFTER, TRANSMISSION AND DIFFERENTIAL .....	50 - 20	4C17	CIRCUIT BOARD, COMBINE DATA CENTER.....	90 - 34
1C24	CAMSHAFT .....	26 - 21	2E17	CIRCUIT BOARDS, CENTRAL ELECTRONICS MODU LE .....	40 - 80
1C24	CAMSHAFT BUSHING .....	26 - 21	2E9	CIRCUIT BREAKER RELAYS .....	40 - 72
1C7	CAMSHAFT BUSHING (6076).....	26 - 4	2E6	CIRCUIT BREAKER RELAYS ( -660400) .....	40 - 69
1C24	CAMSHAFT FOLLOWER.....	26 - 21	2E7	CIRCUIT BREAKER RELAYS (660401- ) .....	40 - 70
1D3	CAMSHAFT FOLLOWER.....	26 - 26	2E9	CIRCUIT BREAKERS, ENGINE COMPARTMENT.....	40 - 72
1C24	CAMSHAFT GEAR.....	26 - 21	2E6	CIRCUIT BREAKERS, ENGINE COMPARTMENT ( -660400) .....	40 - 69
2H1	CAP, BEARING, FINAL DRIVE.....	50 - 22	2E7	CIRCUIT BREAKERS, ENGINE COMPARTMENT (660401- ) .....	40 - 70
6G5	CAP, GRAIN TANK CLEAN OUT CHUTE .....	130 - 34			
1C7	CAPS, MAIN BEARING .....	26 - 4			
2I4	CAPS, YOKE AND PIVOTS .....	50 - 50			
2I2	CARRIER, PISTONS AND CAM .....	50 - 48			
2J17	CASE DRAIN HYDRAULIC LINES, FOUR WHEEL DRIVE .....	50 - 88			
2B16	CDC (COMBINE DATA CENTER) .....	40 - 6			
4C17	CDC (COMBINE DATA CENTER) .....	90 - 34			
1D22	CENTER HOUSING, TURBOCHARGER (AIRESEARCH) .....	26 - 50			
1D23	CENTER HOUSING, TURBOCHARGER (SCHWITZER) .....	26 - 51			
2C23	CENTER, L.H. MAIN WIRING HARNESS .....	40 - 38			

## ALPHABETICAL INDEX - CONTINUED

GRID		PAGE	GRID		PAGE
6F18	CLEAN GRAIN ELEVATOR DRIVE TIGHTENER AND IDLER.....	130 - 22	5B20	CONCAVE, RASP BAR AND GRATE .....	120 - 12
6F16	CLEAN GRAIN ELEVATOR GEARCASE AND SHEAVE.....	130 - 20	5C1	CONCAVE, SPIKE TOOTH .....	120 - 18
6F13	CLEAN GRAIN LOADING AUGER .....	130 - 16	5B24	CONCAVE, SPIKE-TOOTH .....	120 - 16
6F15	CLEAN GRAIN LOADING AUGER, FOLD (660401- ) .....	130 - 18	1B22	CONDENSER, A/C.....	20 - 16
6E23	CLEAN GRAIN LOWER AUGER AND HINGED DOOR	130 - 2	3H1	CONDENSER, A/C.....	70 - 96
6F1	CLEAN GRAIN LOWER ELEVATOR AND CONVEYOR CHAIN .....	130 - 4	1C18	CONNECTING RODS (6076) .....	26 - 15
6F3	CLEAN GRAIN LOWER ELEVATOR AND CONVEYOR CHAIN .....	130 - 6	2F22	CONNECTORS AND TERMINALS, SUPPLEMENTARY (6076).....	40 - 110
6G5	CLEAN OUT CHUTE, GRAIN TANK .....	130 - 34	1E13	CONNECTORS, ELECTRICAL, WEATHERPACK (6076).....	26 - 66
5D3	CLEANING FAN INTAKE SHIELDS .....	120 - 46	1E7	CONNECTORS, FUEL INJECTION PUMP HOUSING (6076HH030, HH034) .....	26 - 60
5C24	CLEANING FANS AND SHROUDS .....	120 - 42	2E11	CONNECTORS, LOWER HARNESS, 6076 ENGINE ENGINE .....	40 - 74
5D1	CLEANING FANS AND SHROUDS .....	120 - 44	2E13	CONNECTORS, UPPER HARNESS, 6076 ENGINE .....	40 - 76
5H5	CLEANING SHOE AND CONVEYOR AUGER PIVOT ARM DRIVE TIGHTENER.....	121 - 52	2F14	CONNECTORS, WEATHERPACK .....	40 - 102
4G7	CLOSURE PLATES, FEEDER HOUSE - CONTOUR MASTER (660401- ).....	110 - 24	2B14	CONSOLE PANEL, OVERHEAD.....	40 - 4
4E16	CLUTCH, COMPRESSOR ( -650400) R-12 .....	90 - 84	4G7	CONTOUR MASTER - FEEDER HOUSE FRAME, TILT BEAM & CLOSURE PLATES (660401- ).....	110 - 24
4E17	CLUTCH, COMPRESSOR ( -650400) R-12 .....	90 - 85	4H7	CONTOUR MASTER DRIVESHAFT (660401- ).....	110 - 50
5G7	CLUTCH, HEADER ELECTROMAGNETIC.....	121 - 30	3E11	CONTOUR MASTER HYDRAULIC HOSES, L.H SIDE (OPTIONAL) (660401- ) .....	70 - 30
4G22	CLUTCH, SLIP, FEEDER HOUSE .....	110 - 40	4G11	CONTOUR MASTER LOCKOUT ADAPTER KIT (BELT PU & 4R CORN HEADS) (660401- ) .....	110 - 28
4E16	COIL, COMPRESSOR ( -650400) R-12 .....	90 - 84	3F11	CONTOUR MASTER SOLENOID CONTROL RELIEF VALVE .....	70 - 54
1E19	COIL, FIELD WINDING (12V F4) .....	26 - 72	3F21	CONTOUR MASTER SOLENOID CONTROL VALVE (660401- ).....	70 - 66
1F8	COLD WEATHER STARTING AID ( -655614).....	30 - 8	3G17	CONTOUR MASTER TILT CYLINDER (660401- ).....	70 - 88
1F10	COLD WEATHER STARTING AID (655615- ).....	30 - 10	3G19	CONTOUR MASTER TILT CYLINDER HOSES AND FITTINGS (660401- ) .....	70 - 90
3C3	COLUMN, STEERING (LOWER).....	60 - 20	4G5	CONTOUR MASTER, FEEDER HOUSE SHELL, WEAR PLATES AND SEALS (660401- ) .....	110 - 22
3C1	COLUMN, STEERING (UPPER) .....	60 - 18	4G9	CONTOUR MASTER, LOCKOUT ASSEMBLY (OPTIONAL) (660401- ) .....	110 - 26
4E2	COLUMN, STEERING (UPPER) .....	90 - 70	2G14	CONTROL CABLE, HYDROSTATIC DRIVE.....	50 - 10
2B16	COMBINE DATA CENTER .....	40 - 6	2B24	CONTROL PANEL, ARMREST .....	40 - 14
4C17	COMBINE DATA CENTER .....	90 - 34	3F11	CONTROL RELIEF VALVE MODULE, SOLENOID .....	70 - 54
3H17	COMPARTMENT, ENGINE .....	80 - 10	1E5	CONTROL UNIT, ELECTRONIC (ROBERT BOSCH) (6076HH030, HH034) (LATE DESIGN) .....	26 - 58
3H19	COMPARTMENT, ENGINE .....	80 - 12	2I8	CONTROL VALVE ( -655400).....	50 - 54
3H21	COMPARTMENT, ENGINE, AIR DUCT AND AIR DEFLECTOR.....	80 - 14	2I9	CONTROL VALVE (655401- ).....	50 - 55
1C9	COMPLETE BLOCK ASSEMBLY (ESN 500000- ).....	26 - 6	3F18	CONTROL VALVE KIT, ARMATURE, SOLENOID, AUGER SWING .....	70 - 62
4E17	COMPRESSOR CLUTCH ( -650400) R-12 .....	90 - 85	3G1	CONTROL VALVE MODULE, SIX STACK SOLENOID ASSEMBLY & MOUNTINGS (660401- ) .....	70 - 72
4E16	COMPRESSOR COIL ( -650400) R-12 .....	90 - 84	2I10	CONTROL VALVE SOLENOID .....	50 - 56
4E18	COMPRESSOR HARDWARE KIT ( -650400) R-12 .....	90 - 86	6D7	CONTROL VALVE, FLOW, REEL DRIVE .....	125 - 50
4E23	COMPRESSOR HARDWARE KIT (650401- ) R134A.....	90 - 92	2H15	CONTROL VALVE, HYDROSTATIC DRIVE, DISPLACEMENT .....	50 - 36
4E19	COMPRESSOR PARTS ( -650400) R-12 .....	90 - 88	3F21	CONTROL VALVE, SOLENOID - CONTOUR MASTER (660401- ).....	70 - 66
4E17	COMPRESSOR SERVICE VALVES ( -650400) R-12 .....	90 - 85	3F25	CONTROL VALVE, SOLENOID, BRACKETS.....	70 - 70
4E12	COMPRESSOR, AIR CONDITION SYSTEM ( -650400) R-12 .....	90 - 80	3H5	CONTROL VALVE, SOLENOID, ENGINE GEARCASE PRESSURE REGULATOR .....	70 - 100
4E16	COMPRESSOR, AIR CONDITIONING ( -650400) R-12 .....	90 - 84	3F19	CONTROL VALVE, SOLENOID, REEL FORE/AFT (650401- ).....	70 - 64
6H19	COMPRESSOR, AIR CONDITIONING BELTS.....	170 - 3	6D5	CONTROL, CHECK VALVE, ROD AND KNOB, CHAFF SPREADER .....	125 - 48
4E14	COMPRESSOR, AIR CONDITIONING SYSTEM (650401- ) R134A.....	90 - 82	2F6	CONVENIENCE OUTLET (660401- ).....	40 - 94
4E16	COMPRESSOR, CLUTCH PULLEY ( -650400) R-12 .....	90 - 84	3D16	CONVERSION PARTS, HUDRAULIC, 200 SERIES CUTTING PLATFORM.....	70 - 11
2D18	CONCAVE ADJUSTING MOTOR .....	40 - 57	5H5	CONVEYOR AUGER AND CLEANING SHOE PIVOT ARM DRIVE TIGHTENER.....	121 - 52
5C3	CONCAVE INDICATOR, CABLE AND BRACKETS.....	120 - 20	6H18	CONVEYOR AUGER BELTS, .....	170 - 2

## ALPHABETICAL INDEX - CONTINUED

GRID		PAGE	GRID		PAGE
5H3	CONVEYOR AUGERS, SIEVE AND CHAFFER DRIVE	121 - 50	5G23	CYLINDER DRIVE ADJUSTING BRACKET, DUAL-RANGE .....	121 - 46
6F1	CONVEYOR CHAIN AND ELEVATOR, CLEAN GRAIN LOWER .....	130 - 4	5G13	CYLINDER DRIVE GEARCASE, DUAL-RANGE .....	121 - 36
6F3	CONVEYOR CHAIN AND ELEVATOR, CLEAN GRAIN LOWER .....	130 - 6	5G19	CYLINDER DRIVE INTERMEDIATE SHAFT MOUNTING, DUAL-RANGE .....	121 - 42
4G16	CONVEYOR IDLER SHAFT, DRUM AND CHAIN, FEEDER.....	110 - 34	5G21	CYLINDER DRIVE INTERMEDIATE SHEAVE, DUAL-RANGE .....	121 - 44
1D17	COOLANT HEATER, ENGINE (6076).....	26 - 44	5G17	CYLINDER DRIVE TIGHTENER, DUAL-RANGE .....	121 - 40
1F18	COOLANT RECOVERY TANK .....	30 - 18	5G12	CYLINDER DRIVE, SINGLE RANGE .....	121 - 35
1D9	COOLER AND OIL FILTER HOUSING.....	26 - 34	5G11	CYLINDER DRIVE, SLOW SPEED.....	121 - 34
1D9	COOLER, ENGINE OIL .....	26 - 34	1D1	CYLINDER HEAD (6076).....	26 - 24
1F11	COOLER, FUEL .....	30 - 11	1D1	CYLINDER HEAD BOLTS (6076) .....	26 - 24
3H1	COOLER, OIL, .....	70 - 96	1D1	CYLINDER HEAD GASKET (6076).....	26 - 24
6H19	COOLING FAN BELTS .....	170 - 3	1E15	CYLINDER HEAD GASKET KIT (6076) .....	26 - 68
3J7	CORNER SHEET AND DOOR, FRONT, L.H. ....	80 - 48	1C18	CYLINDER LINERS (6076) .....	26 - 15
3J3	CORNER SHEET, R.H., FRONT.....	80 - 44	3F14	CYLINDER SPEED AND REEL LIFT, SOLENOID CONTROL VALVE.....	70 - 58
3J5	CORNER SHEET, REAR, L H .....	80 - 46	3F9	CYLINDER SPEED HYDRAULIC LINES AND HOSES ..	70 - 52
5H1	COUNTERSHAFT DRIVE, SECONDARY.....	121 - 48	3B19	CYLINDER, BRAKE SLAVE .....	60 - 12
6H4	COUNTERSHAFT DRIVE, UNLOADING AUGER .....	130 - 58	3B15	CYLINDER, BRAKE, MASTER .....	60 - 8
5G3	COUNTERSHAFT GEARCASE, PRIMARY .....	121 - 26	3G9	CYLINDER, DRIVE, GRAIN TANK UNLOADING.....	70 - 80
5G5	COUNTERSHAFT, PRIMARY, GEARCASE .....	121 - 28	3D24	CYLINDER, HEADER LIFT, HYDRAULIC .....	70 - 19
1B19	COUPLING WITH HUB, ENGINE GEARCASE .....	20 - 13	3G7	CYLINDER, HYDRAULIC, UNLOADING AUGER SWING, LINES AND HOSES .....	70 - 78
5F3	COUPLING, GEARBOX AND SHAFT, MODULE.....	121 - 2	3C13	CYLINDER, STEERING (4-WHEEL DRIVE).....	60 - 30
1E18	COVER STARTER SOLENOID (DENSO) .....	26 - 71	5B18	CYLINDER, THRESHING, RASP BAR .....	120 - 10
5C17	COVER, BEATER .....	120 - 34	5B22	CYLINDER, THRESHING, SPIKE TOOTH.....	120 - 14
4E22	COVER, COMPRESSOR A/C (650401- ) R134A .....	90 - 91	3G17	CYLINDER, TILT - CONTOUR MASTER (660401- ) .....	70 - 88
3H17	COVER, ENGINE.....	80 - 10	3G19	CYLINDER, TILT, HOSES AND FITTINGS - CONTOUR MASTER (660401- ) .....	70 - 90
2H5	COVER, FRONT, HYDROSTATIC DRIVE PUMP .....	50 - 26	3G15	CYLINDER, UNLOADING AUGER SWING HYDRAULIC (655552- ) .....	70 - 86
2G24	COVER, HOUSING, TRANSMISSION AND DIFFERENTIAL .....	50 - 20	3B11	CYLINDERS, MASTER .....	60 - 4
2H8	COVER, HYDROSTATIC DRIVE PUMP.....	50 - 29			
1C23	COVER, INJECTION PUMP ACCESS (6076) .....	26 - 20		D	
2H23	COVER, INNER .....	50 - 44	1C19	DAMPER KEY (6076) .....	26 - 16
2I1	COVER, QUILL AND BEARING .....	50 - 47	1E17	DAMPER, CRANKSHAFT, NO PULLEY GROOVES.....	26 - 70
1D4	COVER, ROCKER ARM .....	26 - 27	2B16	DATA CENTER, COMBINE.....	40 - 6
5B9	COVER, THRESHING CYLINDER .....	120 - 1	4C17	DATA CENTER, COMBINE.....	90 - 34
1C23	COVER, TIMING GEAR (6076).....	26 - 20	6J14	DECALS, FRONT.....	170 - 48
6H3	COVERS AND CHANNEL, CROSS AUGER .....	130 - 56	6J13	DECALS, FRONT WHEEL.....	170 - 46
5E14	COVERS AND FRAME, MODULE .....	120 - 82	6J14	DECALS, REAR .....	170 - 48
5E12	CRANK OUT SYSTEM, MODULE .....	120 - 80	6J13	DECALS, REAR WHEEL.....	170 - 46
1B20	CRANKCASE OIL DRAIN, ENGINE .....	20 - 14	6H22	DECALS, SAFETY AND LOCATIONS .....	170 - 6
1C19	CRANKSHAFT (6076) .....	26 - 16	6H24	DECALS, SAFETY AND LOCATIONS .....	170 - 8
1E17	CRANKSHAFT DAMPER, NO PULLEY GROOVES .....	26 - 70	6I1	DECALS, SAFETY AND LOCATIONS .....	170 - 10
1C23	CRANKSHAFT FRONT OIL SEAL (6076) .....	26 - 20	6I3	DECALS, SAFETY AND LOCATIONS .....	170 - 12
6G24	CROSS AUGER BEARING PLATE, L.H. ....	130 - 52	6I5	DECALS, SAFETY AND LOCATIONS .....	170 - 14
6H3	CROSS AUGER COVERS AND CHANNEL.....	130 - 56	6I7	DECALS, SAFETY AND LOCATIONS .....	170 - 16
6H1	CROSS AUGERS, GRAIN TANK .....	130 - 54	6I9	DECALS, SAFETY AND LOCATIONS .....	170 - 18
4E1	CUP HOLDER (660401- ) .....	90 - 68	6I11	DECALS, SAFETY AND LOCATIONS - FRENCH.....	170 - 20
6C12	CURTAIN, LOWER, STRAW SPREADER .....	125 - 30	6I13	DECALS, SAFETY AND LOCATIONS - FRENCH.....	170 - 22
6C10	CURTAIN, SPREADER, UPPER.....	125 - 28	6I15	DECALS, SAFETY AND LOCATIONS - FRENCH.....	170 - 24
6G1	CURTAINS, GRAIN TANK.....	130 - 30	6I17	DECALS, SAFETY AND LOCATIONS - FRENCH.....	170 - 26
3D16	CUTTING PLATFORM , 200 SERIES CONVERSION PARTS .....	70 - 11	6I19	DECALS, SAFETY AND LOCATIONS - FRENCH.....	170 - 28
3G11	CYLINDER AND MOUNTING, UNLOADING AUGER SWING .....	70 - 82	6I21	DECALS, SAFETY AND LOCATIONS - ITALIAN .....	170 - 30
3G13	CYLINDER AND MOUNTING, UNLOADING AUGER SWING (650401-655551) .....	70 - 84	6J1	DECALS, SAFETY AND LOCATIONS - ITALIAN .....	170 - 34
1C7	CYLINDER BLOCK FITTINGS (6076).....	26 - 4	6J3	DECALS, SAFETY AND LOCATIONS - ITALIAN .....	170 - 36
5B9	CYLINDER COVER, THRESHING .....	120 - 1	6J5	DECALS, SAFETY AND LOCATIONS - ITALIAN .....	170 - 38
5B14	CYLINDER DOOR (CORN & GRAIN) (650401-655400).....	120 - 6	6J7	DECALS, SAFETY AND LOCATIONS - ITALIAN .....	170 - 40
5B12	CYLINDER DOOR (FOR CORN) ( -650400) .....	120 - 4	6J17	DECALS, SEPARATOR MODULE SAFETY.....	170 - 51
5B16	CYLINDER DOOR (655401- ) .....	120 - 8	6J16	DECALS, TOP .....	170 - 50
			6B10	DECK, SUPPORTS AND FINNS, STRAW CHOPPER.....	125 - 2

## ALPHABETICAL INDEX - CONTINUED

GRID		PAGE	GRID		PAGE
2D11	DEFLECTOR - LESS HARVESTRAK (655542- ) .....	40 - 50	5G1	DRIVE SHAFT, GEARCASE MOUNTING AND PRIMARY COUNTERSHAFT .....	121 - 24
6H14	DIAL-A-MATIC ELECTRICAL HARNESS .....	160 - 4	3I21	DRIVE SHIELD, R.H. REAR .....	80 - 38
6H12	DIAL-A-MATIC HEADER HEIGHT CONTROL HYDRAULIC LINE AND VALVE BLOCK .....	160 - 2	3I17	DRIVE SHIELDS, AUGER (R-H SIDE) .....	80 - 34
6H13	DIAL-A-MATIC HEADER HEIGHT CONTROL VALVE BLOCK SOLENOID .....	160 - 3	4F23	DRIVE SHIELDS, CONTOUR MASTER FEEDER HOUSE (660401-660432) .....	110 - 16
3E15	DIAL-A-MATIC HEADER HEIGHT CONTROL, VALVE BLOCK SOLENOID .....	70 - 34	4G1	DRIVE SHIELDS, CONTOUR MASTER FEEDER HOUSE (661186- ) .....	110 - 18
2G10	DIFFERENTIAL AND TRANSMISSION HOUSING .....	50 - 6	4F21	DRIVE SHIELDS, SAFETY STOP, FEEDER HOUSE ....	110 - 14
2G22	DIFFERENTIAL GEARS .....	50 - 18	3I13	DRIVE SIDE SHIELDS, SEPARATOR .....	80 - 30
2G22	DIFFERENTIAL SHAFTS .....	50 - 18	6F18	DRIVE TIGHTENER AND IDLER, CLEAN GRAIN ELEVATOR .....	130 - 22
4E21	DIODE, A/C COMPRESSOR (650401- ) R134A .....	90 - 90	5H15	DRIVE TIGHTENER, FEEDER HOUSE .....	121 - 62
1C25	DIPSTICK, ENGINE OIL (6076) .....	26 - 22	4F19	DRIVE TIGHTENER, FIXED SPEED FEEDER HOUSE .....	110 - 12
6C16	DISC (BELT TYPE), CHAFF SPREADER ( -650400) .....	125 - 34	6E4	DRIVE TIGHTENER, LOWER TAILINGS AUGER .....	125 - 72
6C18	DISC, CHAFF SPREADER (DUAL MOTOR) (650401- ) .....	125 - 36	5H5	DRIVE TIGHTENER, PIVOT ARM, CLEANING SHOE AND CONVEYOR AUGER .....	121 - 52
2H15	DISPLACEMENT CONTROL VALVE, HYDROSTATIC DRIVE .....	50 - 36	4F17	DRIVE TIGHTENER, VARIABLE SPEED .....	110 - 10
2B11	DOME LIGHT, CAB .....	40 - 1	2G5	DRIVE WHEELS .....	50 - 1
4B20	DOOR AND GLASS, CAB .....	90 - 12	2G6	DRIVE WHEELS, HIGH FLOATATION PLANETARY FINAL DRIVE .....	50 - 2
3J7	DOOR AND SHEET, L.H. FRONT CORNER .....	80 - 48	6H4	DRIVE, COUNTERSHAFT, UNLOADING AUGER .....	130 - 58
4B18	DOOR LATCH, CAB .....	90 - 10	6H19	DRIVE, CYLINDER INTERMEDIATE, BELTS .....	170 - 3
5B14	DOOR, CYLINDER (CORN & GRAIN) (650401-655400) .....	120 - 6	6H19	DRIVE, CYLINDER, BELTS .....	170 - 3
5B12	DOOR, CYLINDER (FOR CORN) ( -650400) .....	120 - 4	1B14	DRIVE, ENGINE .....	20 - 8
5B16	DOOR, CYLINDER (655401- ) .....	120 - 8	5H7	DRIVE, FAN, SEPARATOR .....	121 - 54
3H13	DOOR, ENGINE ACCESS, HANDRAILS, RADIATOR .....	80 - 6	5H13	DRIVE, FAN, SPEED CONTROL SHEAVE LINKAGE ....	121 - 60
6E23	DOOR, HINGED, CLEAN GRAIN LOWER AUGER .....	130 - 2	2G25	DRIVE, FINAL .....	50 - 21
6C3	DOOR, LOWER, STRAW CHOPPER .....	125 - 20	2I22	DRIVE, HYDROSTATIC OIL HOSES, UPPER ( -655400) .....	50 - 68
3I11	DOOR, REAR HOOD .....	80 - 28	2I20	DRIVE, HYDROSTATIC, LOWER OIL LINES (FOUR WHEEL DRIVE) (655401- ) .....	50 - 66
3I9	DOOR, REAR HOOD ACCESS AND STOP .....	80 - 26	2I18	DRIVE, HYDROSTATIC, LOWER OIL LINES (TWO WHEEL DRIVE) (655401- ) .....	50 - 64
1B10	DOOR, ROTARY SCREEN .....	20 - 4	2I12	DRIVE, HYDROSTATIC, LOWER OIL LINES (2&4 WHEEL DRIVE)( -655400) .....	50 - 58
5B10	DOOR, SEAL AND STONE TRAP, SEPARATOR/ FEEDER HOUSE .....	120 - 2	2I14	DRIVE, HYDROSTATIC, LOWER OIL LINES (2&4 WHEEL DRIVE)( -655400) .....	50 - 60
6C14	DOOR, STRAW SPREADER .....	125 - 32	1B8	DRIVE, ROTARY SCREEN .....	20 - 2
6C1	DOOR, UPPER REAR, STRAW CHOPPER .....	125 - 18	5H1	DRIVE, SECONDARY COUNTERSHAFT .....	121 - 48
3F16	DOUBLE PILOTED, AUGER SWING, SOLENOID CONTROL VALVE .....	70 - 60	1B12	DRIVES, ENGINE FAN .....	20 - 6
1B20	DRAIN, ENGINE CRANKCASE OIL .....	20 - 14	5F9	DRIVES, ENGINE GEARBOX TO MODULE .....	121 - 8
5C9	DRIVE BELT AND BEATER SHAFT .....	120 - 26	5F11	DRIVES, ENGINE GEARBOX TO MODULE .....	121 - 10
5C11	DRIVE BELT, BEATER, IDLER .....	120 - 28	5H19	DRIVES, STRAW CHOPPER .....	121 - 66
6E1	DRIVE BRACKET, TAILINGS AND LOWER TROUGH SUPPORT .....	125 - 69	6C8	DRIVES, STRAW SPREADER .....	125 - 26
6E3	DRIVE CHAIN TIGHTENER, UPPER TAILINGS .....	125 - 71	4H7	DRIVESHAFT, CONTOUR MASTER (660401- ) .....	110 - 50
2G14	DRIVE CONTROL CABLE, HYDROSTATIC .....	50 - 10	3B17	DRUM, BRAKE .....	60 - 10
2H15	DRIVE DISPLACEMENT CONTROL VALVE HYDROSTATIC .....	50 - 36	4G16	DRUM, CHAIN AND IDLER SHAFT, FEEDER CONVEYOR .....	110 - 34
1C19	DRIVE GEAR, OIL PUMP (6076) .....	26 - 16	2D21	DUAL LEVEL MONITOR HARNESS, GRAIN TANK .....	40 - 60
5F7	DRIVE GEARCASE, MODULE, L.H. ....	121 - 6	5C13	DUAL SPEED BEATER DRIVE CONVERSION, 700/400 RPM .....	120 - 30
5F5	DRIVE GEARCASE, MODULE, R.H. ....	121 - 4	2G7	DUAL WHEELS, WIDE-SPACED .....	50 - 3
5C5	DRIVE IDLER, STRIPPER BEATER .....	120 - 22	5G23	DUAL-RANGE CYLINDER DRIVE ADJUSTING BRACKET .....	121 - 46
2G12	DRIVE LEVER, CABLE AND SWITCH HYDROSTATI C .....	50 - 8	5G13	DUAL-RANGE CYLINDER DRIVE GEARCASE .....	121 - 36
2H19	DRIVE MOTOR KIT, HYDROSTATIC .....	50 - 40	5G19	DUAL-RANGE CYLINDER DRIVE INTERMEDIATE SHAFT MOUNTING .....	121 - 42
2H17	DRIVE MOTOR, HYDROSTATIC .....	50 - 38	5G21	DUAL-RANGE CYLINDER DRIVE INTERMEDIATE SHEAVE .....	121 - 44
2J11	DRIVE MOTOR, HYDROSTATIC .....	50 - 82	5G17	DUAL-RANGE CYLINDER DRIVE TIGHTENER .....	121 - 40
2H11	DRIVE PISTON ASSEMBLY, HYDROSTATIC .....	50 - 32	5G15	DUAL-RANGE LOCKOUT ARM .....	121 - 38
2H5	DRIVE PUMP, HYDROSTATIC .....	50 - 26	4C16	DUCTS, HEATER AND AIR CONDITIONING .....	90 - 33
2H9	DRIVE PUMP, HYDROSTATIC .....	50 - 30	4H11	DUST FAN BELT, LH SIDE FEEDER HOUSE-RETROFIT INSTALLATION .....	110 - 54
3G5	DRIVE PUMP, REEL/BELT PICKUP .....	70 - 76			
2H7	DRIVE SHAFT SHIELDS, FINAL .....	50 - 28			

## ALPHABETICAL INDEX - CONTINUED

GRID		PAGE	GRID		PAGE
4H13	DUST FAN, LH SIDE FEEDER HOUSE-RETROFIT INSTALLATION.....	110 - 56	5F17	ENGINE GEARCASE- SEPARATOR DRIVE WET- CLUTCH AND PUMP DRIVE SHAFT .....	121 - 16
E					
1E5	E.C.U. (6076HH030, HH034) (ROBERT BOSCH) (LATE DESIGN) .....	26 - 58	5F21	ENGINE GEARCASE, SEPARATOR AND PUMP DRIVE .....	121 - 20
1E3	ECU (6076HH030) (EARLY DESIGN) .....	26 - 56	5F23	ENGINE GEARCASE, SEPARATOR AND PUMP DRIVE .....	121 - 22
1F4	ELECTRIC FUEL PUMP, WATER SEPARATOR AND FUEL FLOAT .....	30 - 4	5F15	ENGINE GEARCASE, STRAW CHOPPER, UNLOAD- ING DRIVE AND SEPARATOR DRIVE GEAR .....	121 - 14
2F16	ELECTRICAL CONNECTOR SERVICE KIT .....	40 - 104	5F13	ENGINE GEARCASE, UNLOADING AND SEPARATOR DRIVE GEAR.....	121 - 12
2F18	ELECTRICAL CONNECTOR SERVICE KIT .....	40 - 106	1B18	ENGINE MOUNTS AND REAR SUPPORT (655401- ) .....	20 - 12
6H14	ELECTRICAL HARNESS, DIAL-A-MATIC.....	160 - 4	1C5	ENGINE OIL (TORQ-GARD).....	26 - 1
2F5	ELECTRICAL SERVICE OUTLET .....	40 - 93	1D9	ENGINE OIL COOLER .....	26 - 34
1E13	ELECTRICAL TERMINALS AND CONNECTORS, WEATHERPACK (6076) .....	26 - 66	1C25	ENGINE OIL DIPSTICK (6076) .....	26 - 22
5G7	ELECTROMAGNETIC HEADER CLUTCH .....	121 - 30	1C25	ENGINE OIL DIPSTICK TUBE (6076) .....	26 - 22
1E5	ELECTRONIC CONTROL UNIT (ROBERT BOSCH) (6076HH030, HH034) (LATE DESIGN) .....	26 - 58	1D9	ENGINE OIL FILTER .....	26 - 34
2E15	ELECTRONIC CONTROL UNIT MOUNTING SUPPORT	40 - 78	1D6	ENGINE OIL PUMP .....	26 - 30
1E5	ELECTRONIC FUEL INJ. PUMP (ROBERT BOSCH) (6076HH030, HH034) (LATE DESIGN) .....	26 - 58	1D8	ENGINE OIL PUMP INTAKE.....	26 - 32
1E3	ELECTRONIC FUEL INJECTION PUMP (6076HH030) (EARLY DESIGN) .....	26 - 56	1C15	ENGINE OVERHAUL KIT(S) (ESN 500000- ).....	26 - 12
2E17	ELECTRONICS MODULE AND CIRCUIT BOARD, CENTRAL.....	40 - 80	2D17	ENGINE PLUGGED AIR FILTER WARNING SWITCH ..	40 - 56
5D15	ELEMENT, CHAFFER .....	120 - 58	3H17	ENGINE RAILS .....	80 - 10
5D17	ELEMENT, CHAFFER .....	120 - 60	1E15	ENGINE REBUILD GASKET KIT (6076) .....	26 - 68
5D19	ELEMENT, CHAFFER EXTENSION .....	120 - 62	1E22	ENGINE SPEED SENSOR .....	26 - 75
5D23	ELEMENT, SIEVE .....	120 - 66	2B16	ENGINE TEMPERATURE GAUGE .....	40 - 6
6F1	ELEVATOR AND CONVEYOR CHAIN, CLEAN GRAIN LOWER .....	130 - 4	4C17	ENGINE TEMPERATURE GAUGE .....	90 - 34
6F3	ELEVATOR AND CONVEYOR CHAIN, CLEAN GRAIN LOWER .....	130 - 6	1C17	ENGINE UNDERHAUL KIT (STD BRGS) (6076).....	26 - 14
6F7	ELEVATOR SHAFT, SPROCKET AND SHEAVE, UPPER CLEAN GRAIN.....	130 - 10	1F10	ETHER STARTING AID (655615- ) .....	30 - 10
6F20	ELEVATOR SHIELDS, UPPER CLEAN GRAIN.....	130 - 24	1D25	ETHER STARTING FITTINGS (6076).....	26 - 53
6H19	ELEVATOR, CLEAN GRAIN BELTS.....	170 - 3	1D24	EXHAUST MANIFOLD.....	26 - 52
6D23	ELEVATOR, TAILINGS, HOUSING.....	125 - 66	1D24	EXHAUST MANIFOLD GASKETS.....	26 - 52
6F5	ELEVATOR, UPPER CLEAN GRAIN .....	130 - 8	1F14	EXHAUST PIPES AND MUFFLER .....	30 - 14
3H13	ENGINE ACCESS DOOR, HANDRAILS, AND RADIATOR DOOR.....	80 - 6	1D1	EXHAUST VALVE SHIELD (6076) .....	26 - 24
3H23	ENGINE ACCESS PLATFORM AND STEP .....	80 - 16	1D1	EXHAUST VALVES (6076) .....	26 - 24
2E9	ENGINE CIRCUIT BREAKERS .....	40 - 72	1C15	EXPANDED ENGINE OVERHAUL KIT(S) (ESN 500000- ).....	26 - 12
2E6	ENGINE CIRCUIT BREAKERS ( -660400) .....	40 - 69	4F5	EXPORT ONLY, CAB POST INSTRUMENT PANEL LH .....	90 - 98
2E7	ENGINE CIRCUIT BREAKERS (660401- ) .....	40 - 70	5D19	EXTENSION ELEMENT, CHAFFER .....	120 - 62
3H17	ENGINE COMPARTMENT.....	80 - 10	6G3	EXTENSIONS, GRAIN TANK .....	130 - 32
3H19	ENGINE COMPARTMENT.....	80 - 12	F		
3H21	ENGINE COMPARTMENT, AIR DUCT AND AIR DEF LECTOR.....	80 - 14	1B12	FAN AND DRIVES, ENGINE.....	20 - 6
1B15	ENGINE COOLANT HEATER .....	20 - 9	3I19	FAN DRIVE AND MUD SHIELDS (L.H. SIDE).....	80 - 36
1D17	ENGINE COOLANT HEATER (6076) .....	26 - 44	5H9	FAN DRIVE SPEED CONTROL LINKAGE ( -655400) .....	121 - 56
1B20	ENGINE CRANKCASE OIL DRAIN.....	20 - 14	5H11	FAN DRIVE SPEED CONTROL LINKAGE (655401- ) .....	121 - 58
1B14	ENGINE DRIVE .....	20 - 8	5H13	FAN DRIVE SPEED CONTROL SHEAVE LINKAGE.....	121 - 60
1B12	ENGINE FAN AND DRIVES .....	20 - 6	5H7	FAN DRIVE, SEPARATOR .....	121 - 54
5F9	ENGINE GEARBOX TO MODULE DRIVES.....	121 - 8	2C7	FAN, AIR CONDITIONER PRESSURIZER KIT (640401-650400) .....	40 - 22
5F11	ENGINE GEARBOX TO MODULE DRIVES.....	121 - 10	6H20	FAN, CLEANING, BELTS .....	170 - 4
5F19	ENGINE GEARCASE.....	121 - 18	4H13	FAN, DUST, LH SIDE FEEDER HOUSE-RETROFIT INSTALLATION.....	110 - 56
1B19	ENGINE GEARCASE COUPLING WITH HUB.....	20 - 13	4E8	FAN, PRESSURIZER AND AIR CONDITIONING/ HEATER .....	90 - 76
3H3	ENGINE GEARCASE OIL FILTER ASSEMBLY .....	70 - 98	5C24	FANS AND SHROUDS, CLEANING .....	120 - 42
3F5	ENGINE GEARCASE PRESSURE REGULATOR .....	70 - 48	5D1	FANS AND SHROUDS, CLEANING .....	120 - 44
3H5	ENGINE GEARCASE PRESSURE REGULATOR, SOLENOID CONTROL VALVE.....	70 - 100	5B17	FC:5652 .....	120 - 9
			4G20	FEED PLATE LATCH HANDLE .....	110 - 38
			6H18	FEEDER CONVEYOR BELTS.....	170 - 2



## ALPHABETICAL INDEX - CONTINUED

GRID	PAGE	GRID	PAGE		
4G18	FEEDER CONVEYOR DRIVE CHAIN, TIGHTENER AND GUIDES.....	110-36	6D9	FITTINGS AND LINES, CHAFF SPREADER.....	125-52
4H9	FEEDER CONVEYOR DRIVE CHAIN, TIGHTENER AND GUIDES-RETROFIT INATALLATION.....	110-52	1C7	FITTINGS, CYLINDER BLOCK (6076).....	26-4
4G16	FEEDER CONVEYOR IDLER SHAFT, DRUM AND CHAIN.....	110-34	1D25	FITTINGS, ETHER STARTING (6076).....	26-53
2F10	FEEDER HOUSE BACKSHAFT SPEED SENSOR.....	40-98	1F2	FITTINGS, FUEL TANK.....	30-2
6H20	FEEDER HOUSE BELTS.....	170-4	1F6	FITTINGS, TANK FUEL LINES.....	30-6
4F23	FEEDER HOUSE DRIVE SHIELDS - CONTOUR MASTER (660401-660432).....	110-16	3G19	FITTINGS, TILT CYLINDER - CONTOUR MASTER (660401- ).....	70-90
4G1	FEEDER HOUSE DRIVE SHIELDS - CONTOUR MASTER (661186- ).....	110-18	3C17	FIXED REAR AXLE (GRAIN) (655542- ).....	60-34
4F21	FEEDER HOUSE DRIVE SHIELDS AND SAFETY STOP.....	110-14	3C21	FIXED REAR AXLE STEERING TIE RODS GRAIN (655542- ).....	60-38
5H15	FEEDER HOUSE DRIVE TIGHTENER.....	121-62	3C20	FIXED REAR AXLE, 4-WHEEL DRIVE, STEERING TIE RODS - GRAIN (655542- ).....	60-37
4F19	FEEDER HOUSE DRIVE TIGHTENER (FIXED SPEED).....	110-12	4F19	FIXED SPEED FEEDER HOUSE DRIVE TIGHTENER..	110-12
4H11	FEEDER HOUSE DUST FAN BELT, LH SIDE - RETROFIT INSTALLATION.....	110-54	3H6	FLAT O-RING KIT, HYDRAULIC.....	70-101
4H13	FEEDER HOUSE DUST FAN, LH SIDE - RETROFIT INSTALLATION.....	110-56	1F4	FLOAT, FUEL.....	30-4
4G14	FEEDER HOUSE FLOOR.....	110-32	4B10	FLOOR MAT AND PANELS, CAB.....	90-2
4G3	FEEDER HOUSE FRAME.....	110-20	4G14	FLOOR, FEEDER HOUSE.....	110-32
4G7	FEEDER HOUSE FRAME, TILT BEAM & CLOSURE PLATES, CONTOUR MASTER (660401- ).....	110-24	2J9	FLOW CONTROL VALVE TO CAM LOBE MOTORS, LINES AND HOSES.....	50-80
4H5	FEEDER HOUSE FRONT DRIVE SHAFT, SHEAVE AND MOUNTINGS (FIXED SPEED WITH.....	110-48	3D11	FLOW CONTROL VALVE, REEL DRIVE.....	70-6
4H1	FEEDER HOUSE RETURN FLOOR.....	110-44	6D7	FLOW CONTROL VALVE, REEL DRIVE.....	125-50
4C21	FEEDER HOUSE REVERSER FOOT CONTROL.....	90-38	1C22	FLYWHEEL (6076).....	26-19
4F13	FEEDER HOUSE REVERSER FOOT CONTROL.....	110-6	4B12	FOAM, SEALS, SOUND DEADENING, CAB.....	90-4
4G5	FEEDER HOUSE SHELL - CONTOUR MASTER (660401- ).....	110-22	1C24	FOLLOWER, CAMSHAFT.....	26-21
4G22	FEEDER HOUSE SLIP CLUTCH.....	110-40	1D3	FOLLOWER, CAMSHAFT.....	26-26
4G12	FEEDER HOUSE UPPER SHAFT.....	110-30	4F13	FOOT CONTROL, FEEDER HOUSE REVERSER.....	110-6
3D15	FEEDER HOUSE VARIABLE DRIVE HYDRAULIC HOSE.....	70-10	4C21	FOOT CONTROL, REVERSER, FEEDER HOUSE.....	90-38
4G5	FEEDER HOUSE WEAR PLATES - CONTOUR MASTER (660401- ).....	110-22	4D6	FORE-AND-AFT, SEAT ADJUST.....	90-48
4G24	FEEDER HOUSE, UPPER COUNTERSHAFT VARIABLE DRIVE.....	110-42	2G10	FORKS, SHIFTER.....	50-6
3E1	FEEDERHOUSE FITTINGS, HYDRAULIC - EXPORT....	70-20	2J17	FOUR WHEEL DRIVE CASE DRAIN HYDRAULIC LINES.....	50-88
3E1	FEEDERHOUSE PLUMBING- EXPORT.....	70-20	2J5	FOUR WHEEL DRIVE HYDRAULIC LINES AND HOSES, L.H. ( -655400).....	50-76
2B14	FIELD LIGHT SWITCH, AUX, OPTIONAL.....	40-4	2J7	FOUR WHEEL DRIVE HYDRAULIC LINES AND HOS ES, L.H. (655401- ).....	50-78
2B20	FIELD LIGHTING, AUXILIARY.....	40-10	2J9	FOUR WHEEL DRIVE LINES AND HOSES.....	50-80
2F9	FIELD LIGHTS.....	40-97	3C13	FOUR-WHEEL DRIVE.....	60-30
1E19	FIELD WINDING COIL (12V F4).....	26-72	5E14	FRAME AND COVERS, MODULE.....	120-82
5E18	FILLER PLATE, MODULE GRATE ASSEMBLY AND FINGER BAR.....	120-86	4B22	FRAME AND SUPPORT, CAB.....	90-14
3D13	FILTER ASSEMBLY, MAIN, HYDRAULIC.....	70-8	5D13	FRAME ARMS, PRECLEANER CHAFFER.....	120-56
1D9	FILTER, ENGINE OIL.....	26-34	5D21	FRAME, CHAFFER.....	120-64
1E11	FILTER, FUEL (6076HH030, HH034).....	26-64	4G3	FRAME, FEEDER HOUSE.....	110-20
3H3	FILTER, OIL, ENGINE GEARCASE, ASSEMBLY.....	70-98	4G7	FRAME, FEEDER HOUSE, CONTOUR MASTER (660401- ).....	110-24
1D12	FILTER, WEEP HOLE (WATER PUMP).....	26-38	3H11	FRAME, SEPARATOR.....	80-4
4E6	FILTERS, AIR CONDITIONING AND HEATER HOUSING.....	90-74	6C20	FRAME, SHIELDS AND HANDLES, CHAFF SPREADER (BELT TYPE) ( -650400).....	125-38
2G25	FINAL DRIVE.....	50-21	5E1	FRAME, SIEVE.....	120-68
2H2	FINAL DRIVE AXLE, GEAR AND BEARINGS.....	50-23	6C12	FRAME, STRAW SPREADER.....	125-30
2H1	FINAL DRIVE HOUSING AND BEARING CAP.....	50-22	2B19	FRONT AND REAR TURN AND TAIL LIGHTS.....	40-9
2H3	FINAL DRIVE PINION, SHAFTS AND BEARINGS.....	50-24	2G8	FRONT AXLE.....	50-4
2H7	FINAL DRIVE SHAFT SHIELDS.....	50-28	3J7	FRONT CORNER SHEET AND DOOR, L.H.....	80-48
6B18	FINE CUT ROTOR STRAW CHOPPER (PADDLED NARROW (670401- ).....	125-10	3J3	FRONT CORNER SHEET, R.H.....	80-44
6B16	FINE CUT ROTOR STRAW CHOPPER (STRAIGHT NARROW (670401- ).....	125-8	1C23	FRONT OIL SEAL (6076).....	26-20
5E18	FINGER BAR, FILLER PLATE AND MODULE GRATE ASSEMBLY.....	120-86	4F15	FRONT SHAFT WITH REVERSER (VARIABLE) 9400, 9500 COMBINES.....	110-8
6B10	FINS, SUPPORTS AND DECK, STRAW CHOPPER.....	125-2	3C5	FRONT STEERING HOSES AND LINES.....	60-22
			4F9	FRONT VARIABLE DRIVE SHEAVE AND MOUNTINGS.....	110-2
			1D15	FRONT WATER MANIFOLD.....	26-42
			6J13	FRONT WHEEL DECALS.....	170-46
			2C21	FRONT, L.H. MAIN WIRING HARNESS.....	40-36
			1E11	FUEL CHECK VALVE (6076HH030, HH034).....	26-64
			1F11	FUEL COOLER.....	30-11
			1E11	FUEL FILTER (6076HH030, HH034).....	26-64
			1E11	FUEL FILTER LINES (6076HH030, HH034).....	26-64

## ALPHABETICAL INDEX - CONTINUED

GRID		PAGE	GRID		PAGE
1F4	FUEL FLOAT .....	30 - 4	5G1	GEARCASE MOUNTING, PRIMARY COUNTERSHAFT AND DRIVE SHAFT .....	121 - 24
2B16	FUEL GAUGE .....	40 - 6	5G13	GEARCASE, DUAL-RANGE CYLINDER DRIVE .....	121 - 36
4C17	FUEL GAUGE .....	90 - 34	5F17	GEARCASE, ENGINE .....	121 - 16
1E1	FUEL INJECTION LINES (6076HH030 OR HH034) .....	26 - 54	5F19	GEARCASE, ENGINE .....	121 - 18
1E9	FUEL INJECTION NOZZLE (DENSO) (HH030 OR HH034) .....	26 - 62	5F23	GEARCASE, ENGINE .....	121 - 22
1E1	FUEL INJECTION NOZZLES (6076HH030 OR HH034) .....	26 - 54	6G15	GEARCASE, HORIZONTAL UNLOADING AUGER DRIVE .....	130 - 44
1E5	FUEL INJECTION PUMP (ROBERT BOSCH) (6076HH030, HH034) (LATE DESIGN) .....	26 - 58	2J13	GEARCASE, HYDROSTATIC DRIVE PUMP, MAIN HYDRAULIC PUMP CONNECTING HARDWARE .....	50 - 84
1E3	FUEL INJECTION PUMP (6076HH030) (EARLY DESIGN) .....	26 - 56	5F7	GEARCASE, MODULE DRIVE, L.H. ....	121 - 6
1E7	FUEL INJECTION PUMP HOUSING CONNECTOR (6076HH030, HH034) .....	26 - 60	5F5	GEARCASE, MODULE DRIVE, R.H. ....	121 - 4
1E5	FUEL LEAK-OFF LINES (ROBERT BOSCH) (6076HH030, HH034) (LATE DESIGN) .....	26 - 58	5G3	GEARCASE, PRIMARY COUNTERSHAFT .....	121 - 26
1E1	FUEL LEAK-OFF LINES (6076HH030 OR HH034) .....	26 - 54	5G5	GEARCASE, PRIMARY COUNTERSHAFT .....	121 - 28
1E3	FUEL LEAK-OFF LINES (6076HH030) (EARLY DESIGN) .....	26 - 56	2G22	GEARS, DIFFERENTIAL .....	50 - 18
1E3	FUEL SHUT-OFF SOLENOID HOUSING (6076HH030) (EARLY DESIGN) .....	26 - 56	2G18	GEARS, TRANSMISSION INPUT SHAFT .....	50 - 14
1F2	FUEL TANK, SUPPORTS, AND FITTINGS .....	30 - 2	2G20	GEARS, TRANSMISSION PINION SHAFT .....	50 - 16
1E8	FUEL TRANSFER PUMP (ROBERT BOSCH) (6076HH030, HH034) .....	26 - 61	2G16	GEARSHIFT LEVER AND LINKAGE .....	50 - 12
			4C19	GEARSHIFT LEVER AND LINKAGE .....	90 - 36
	G		4B20	GLASS AND DOOR, CAB .....	90 - 12
1E15	GASKET KIT, CYLINDER HEAD (6076) .....	26 - 68	4D20	GLOVE BOX, ARMREST (R.H.) .....	90 - 62
1E15	GASKET KIT, ENGINE REBUILD (6076) .....	26 - 68	5D11	GRAIN LEAK KIT .....	120 - 54
1E15	GASKET KIT, SHORT BLOCK (6076) .....	26 - 68	6G1	GRAIN TANK AND CURTAINS .....	130 - 30
1D1	GASKET, CYLINDER HEAD (6076) .....	26 - 24	6F24	GRAIN TANK BASE .....	130 - 28
1D19	GASKET, INTAKE MANIFOLD .....	26 - 46	6H1	GRAIN TANK CROSS AUGERS .....	130 - 54
1D9	GASKET, OIL COOLER .....	26 - 34	2D21	GRAIN TANK DUAL LEVEL MONITOR HARNESS .....	40 - 60
1D9	GASKET, OIL FILTER HOUSING .....	26 - 34	6G3	GRAIN TANK EXTENSIONS .....	130 - 32
1D11	GASKET, OIL PAN .....	26 - 36	6H7	GRAIN TANK SAMPLING TROUGH .....	130 - 62
1D8	GASKET, OIL PUMP INTAKE .....	26 - 32	6F22	GRAIN TANK TOP .....	130 - 26
1C21	GASKET, REAR OIL SEAL (6076) .....	26 - 18	3G9	GRAIN TANK UNLOADING DRIVE CYLINDER .....	70 - 80
1D4	GASKET, ROCKER ARM COVER .....	26 - 27	3G9	GRAIN TANK UNLOADING DRIVE CYLINDER MOUNTING .....	70 - 80
1C23	GASKET, TIMING GEAR COVER (6076) .....	26 - 20	2D5	GRAIN TANK WIRING HARNESS, LIGHT, LIMIT SWITCH AND LEVEL MONITOR .....	40 - 44
1D20	GASKET, TURBOCHARGER .....	26 - 48	5B20	GRATE AND RASP BAR CONCAVE .....	120 - 12
1D15	GASKET, WATER MANIFOLD .....	26 - 42	6H6	GUIDE, DRIVE BELT, UNLOADING AUGER .....	130 - 60
1D12	GASKET, WATER PUMP .....	26 - 38	4G18	GUIDES, TIGHTENER AND FEEDER CONVEYOR DRIVE CHAIN .....	110 - 36
1D24	GASKETS, EXHAUST MANIFOLD .....	26 - 52	4H9	GUIDES, TIGHTENER AND FEEDER CONVEYOR DRIVE CHAIN-RETROFIT INSTALLATION .....	110 - 52
1D18	GASKETS, INTAKE MANIFOLD .....	26 - 45		H	
3D7	GAUGE, ACCUMULATOR PRESSURE .....	70 - 2	5C19	HANDLE, LATCHES, SHOE GRAIN SUPPLY AUGER CLEANOUT DOOR .....	120 - 36
2B16	GAUGE, ENGINE TEMPERATURE .....	40 - 6	6C22	HANDLES AND SHIELDS, CHAFF SPREADER (DUAL MOTOR) (650401- ) .....	125 - 40
4C17	GAUGE, ENGINE TEMPERATURE .....	90 - 34	6C20	HANDLES, FRAME AND SHIELDS, CHAFF SPREADER (BELT TYPE) ( -650400) .....	125 - 38
4F11	GEAR BOX, REVERSER .....	110 - 4	4C1	HANDRAIL AND LADDER, OPERATOR'S PLATFORM .....	90 - 18
6G5	GEAR CASE, VERTICAL AUGER LOWER .....	130 - 34	3H13	HANDRAILS, RADIATOR DOOR, ENGINE ACCESS DOOR .....	80 - 6
1C24	GEAR, CAMSHAFT .....	26 - 21	4F3	HARDWARE KIT, CAB .....	90 - 96
2H2	GEAR, FINAL DRIVE .....	50 - 23	4E18	HARDWARE KIT, COMPRESSOR ( -650400) R-12 .....	90 - 86
1E3	GEAR, FUEL INJECTION PUMP (6076HH030) (EARLY DESIGN) .....	26 - 56	4E23	HARDWARE KIT, COMPRESSOR (650401- ) R134A .....	90 - 92
1E5	GEAR, INJECTION PUMP (6076HH030, HH034) (ROBERT BOSCH) (LATE DESIGN) .....	26 - 58	2J13	HARDWARE, HYDRAULIC PUMP CONNECTING .....	50 - 84
1D6	GEAR, OIL PUMP DRIVE .....	26 - 30	2E11	HARNESS CONNECTORS, LOWER, 6076 ENGINE .....	40 - 74
1C19	GEAR, OIL PUMP DRIVE (6076) .....	26 - 16	2E13	HARNESS CONNECTORS, UPPER, 6076 ENGINE .....	40 - 76
1C22	GEAR, STARTER (6076) .....	26 - 19	2B22	HARNESS, ARMREST WIRING .....	40 - 12
5F9	GEARBOX, ENGINE TO MODULE DRIVES .....	121 - 8	2B12	HARNESS, CAB WIRING .....	40 - 2
5F11	GEARBOX, ENGINE TO MODULE DRIVES .....	121 - 10	2D21	HARNESS, GRAIN TANK DUAL LEVEL MONITOR .....	40 - 60
5F3	GEARBOX, SHAFT AND COUPLING, MODULE .....	121 - 2	2C23	HARNESS, L.H. MAIN WIRING, CENTER .....	40 - 38
5C15	GEARCASE AND SHEAVE, BEATER .....	120 - 32	2C21	HARNESS, L.H. MAIN WIRING, FRONT .....	40 - 36
6F16	GEARCASE AND SHEAVE, CLEAN GRAIN ELEVATOR .....	130 - 20	2D15	HARNESS, LOWER, ENGINE, 6076 .....	40 - 54

## ALPHABETICAL INDEX - CONTINUED

GRID		PAGE	GRID		PAGE
2D13	HARNESS, UPPER, ENGINE, 6076 .....	40 - 52	6G9	HORIZONTAL UNLOADING AUGER SWIVEL .....	130 - 38
1E3	HARNESS, WIRING (6076HH030) (EARLY DESIGN) .....	26 - 56	2C19	HORN .....	40 - 34
1E5	HARNESS, WIRING (6076HH030, HH034) (ROBERT BOSCH)(LATE DESIGN) .....	26 - 58	3F3	HOSE, CHARGE PRESSURE .....	70 - 46
2C5	HARNESS, WIRING, A/C, HEATER AND AIRSEAT (660401- ) .....	40 - 20	3D15	HOSE, HYDRAULIC, VARIABLE DRIVE, FEEDER HOUSE .....	70 - 10
2C19	HARNESS, WIRING, MAIN, L.H. FRONT .....	40 - 34	3E19	HOSE, LINE AND MOUNTING, ONE-HALF GALLON DUAL ACCUMULATOR ( -655400) .....	70 - 38
2D3	HARNESS, WIRING, R.H. MAIN .....	40 - 42	6D15	HOSES AND LINES, CHAFF SPREADER (DUAL MOTOR) (650401- ) .....	125 - 58
2C1	HARNESS, WIRING, STEERING COLUMN (646237-) .....	40 - 16	2J9	HOSES AND LINES, FOUR WHEEL DRIVE .....	50 - 80
2B16	HARVESTRAK .....	40 - 6	2J5	HOSES AND LINES, FOUR WHEEL DRIVE HYDRAULIC, L.H. ( -655400) .....	50 - 76
4C17	HARVESTRAK .....	90 - 34	2J7	HOSES AND LINES, FOUR WHEEL DRIVE HYDRAU LIC, L.H. (655401- ) .....	50 - 78
2D9	HARVESTRAK MONITOR SYSTEM .....	40 - 48	3E9	HOSES AND LINES, HEADER LIFT .....	70 - 28
2D9	HARVESTRAK WIRING HARNESS .....	40 - 48	3F9	HOSES AND LINES, HYDRAULIC, CYLINDER SPEED .....	70 - 52
1D1	HEAD BOLT KIT (6076) .....	26 - 24	3E5	HOSES AND LINES, HYDRAULIC, REEL FORE- AND-AFT, FRONT .....	70 - 24
1D1	HEAD, CYLINDER (6076) .....	26 - 24	3D19	HOSES AND LINES, HYDRAULIC, REEL PUMP .....	70 - 14
6H20	HEADER BELTS .....	170 - 4	3D21	HOSES AND LINES, HYDRAULIC, REEL PUMP .....	70 - 16
5G7	HEADER ELECTROMAGNETIC CLUTCH .....	121 - 30	2J1	HOSES AND LINES, OIL COOLER, HYDROSTATIC ( -665400) .....	50 - 72
4F5	HEADER HEIGHT CONTROL GAUGE ON LH CAB POST (EXPORT ONLY) .....	90 - 98	2J3	HOSES AND LINES, OIL COOLER, HYDROSTATIC (665401- ) .....	50 - 74
6H13	HEADER HEIGHT CONTROL VALVE .....	160 - 3	3G21	HOSES AND LINES, OIL COOLER, WET CLUTCH ( -665400) .....	70 - 92
6H12	HEADER HEIGHT CONTROL, DIAL-A-MATIC HYDRAULIC LINE AND VALVE BLOCK .....	160 - 2	3G23	HOSES AND LINES, OIL COOLER, WET CLUTCH (665401- ) .....	70 - 94
3E15	HEADER HEIGHT CONTROL, DIAL-A-MATIC, VALVE BLOCK SOLENOID .....	70 - 34	2I16	HOSES AND LINES, OIL, HYDROSTATIC DRIVE, LOWER (TWO WHEEL DRIVE)(655401- ) .....	50 - 62
6H14	HEADER HEIGHT CONTROL, ELECTRIC HARNESS, DIAL-A-MATIC .....	160 - 4	3D17	HOSES AND LINES, REEL DRIVE, HYD., FRONT .....	70 - 12
3D24	HEADER LIFT HYDRAULIC CYLINDER .....	70 - 19	3D9	HOSES AND LINES, REEL DRIVE, HYDRAULIC, L.H. SIDE ( -655400) .....	70 - 4
3E9	HEADER LIFT HYDRAULIC LINES AND HOSES .....	70 - 28	3D10	HOSES AND LINES, REEL DRIVE, HYDRAULIC, L.H. SIDE (655401- ) .....	70 - 5
3F12	HEADER LIFT MODULE, SOLENOID CONTROL VALVE .....	70 - 56	3E3	HOSES AND LINES, REEL LIFT .....	70 - 22
2E23	HEADER LIGHTS, (EXPORT ONLY) .....	40 - 86	3C5	HOSES AND LINES, STEERING, FRONT .....	60 - 22
1A9	HEADERS .....	10 - 8	3C11	HOSES AND LINES, STEERING, REAR .....	60 - 28
2E25	HEADLIGHTS UNDER CAB (EXPORT ONLY) .....	40 - 88	3G7	HOSES AND LINES, UNLOADING AUGER SWING HYDRAULIC CYLINDER .....	70 - 78
1F11	HEAT EXCHANGER, FUEL .....	30 - 11	3E13	HOSES AND LINES, UPPER RETURN, HYDRAULIC RESERVOIR .....	70 - 32
2C9	HEATER AND AIR CONDITIONER SWITCH .....	40 - 24	3G9	HOSES, GRAIN TANK UNLOADING DRIVE CYLINDER .....	70 - 80
4C16	HEATER AND AIR CONDITIONING DUCTS .....	90 - 33	3E11	HOSES, HYDRAULIC, CONTOUR MASTER (L.H.) (OPTIONAL) (660401- ) .....	70 - 30
4E6	HEATER HOUSING AND AIR CONDITIONING FILTERS .....	90 - 74	6D13	HOSES, LINES AND MOTOR, CHAFF SPREADER ( -650400) .....	125 - 56
4F1	HEATER SYSTEM .....	90 - 94	6E18	HOSES, LUBE, L. H. .....	125 - 86
2C3	HEATER WIRING HARNESS ( -660400) .....	40 - 18	6E16	HOSES, LUBE, R. H. .....	125 - 84
2C5	HEATER WIRING HARNESS (660401- ) .....	40 - 20	2I20	HOSES, OIL, HYDROSTATIC DRIVE, LOWER (FOUR WHEEL DRIVE) (655401- ) .....	50 - 66
1B15	HEATER, ENGINE COOLANT .....	20 - 9	2I18	HOSES, OIL, HYDROSTATIC DRIVE, LOWER (TWO WHEEL DRIVE) (655401- ) .....	50 - 64
1D17	HEATER, ENGINE COOLANT (6076) .....	26 - 44	2I14	HOSES, OIL, HYDROSTATIC DRIVE, LOWER (2&4 WHEEL DRIVE)( -655400) .....	50 - 60
4D8	HEIGHT ADJUSTER, CAB SEAT .....	90 - 50	2I12	HOSES, OIL, HYDROSTATIC DRIVE, LOWER (2&4 WHEEL DRIVE)( -655400) .....	50 - 58
2G6	HIGH FLOATATION DRIVE WHEELS PLANETARY FINAL DRIVE .....	50 - 2	2I22	HOSES, OIL, HYDROSTATIC DRIVE, UPPER ( -655400) .....	50 - 68
2D19	HOLDDOWN, BATTERY .....	40 - 58	3F7	HOSES, PRESSURE, HYDRAULIC .....	70 - 50
4E1	HOLDER, CUP (660401- ) .....	90 - 68	1F16	HOSES, RADIATOR .....	30 - 16
3I5	HOOD, REAR .....	80 - 22	3B23	HOSES, STEERING, UPPER .....	60 - 16
3I9	HOOD, REAR, ACCESS DOOR AND STOP .....	80 - 26	3G19	HOSES, TILT CYLINDER - CONTOUR MASTER (660401- ) .....	70 - 90
6G22	HORIZONTAL UNLOADING AUGER (17- AND 20-FT.) .....	130 - 50			
6G15	HORIZONTAL UNLOADING AUGER DRIVE GEARCASE .....	130 - 44			
6G20	HORIZONTAL UNLOADING AUGER HOUSING (EXPORT) (17 AND 20 FT.) .....	130 - 49A			
6G16	HORIZONTAL UNLOADING AUGER HOUSING (14- AND 17-FT.) .....	130 - 46			
6G18	HORIZONTAL UNLOADING AUGER HOUSING (17- AND 20-FT.) .....	130 - 48			
6G13	HORIZONTAL UNLOADING AUGER HUB SUPPORT AND SWITCH .....	130 - 42			

## ALPHABETICAL INDEX - CONTINUED

GRID	PAGE	GRID	PAGE
2I24	HOSES, UPPER, HYDROSTATIC DRIVE (FOUR WHEEL DRIVE)(655401- ) .....	2J13	HYDRAULIC PUMP CONNECTING HARDWARE, HYDROSTATIC DRIVE PUMP .....
6D11	HOSES, VALVE, PUMP AND LINES, CHAFF SPREADER .....	3G3	HYDRAULIC PUMP, MAIN .....
4C15	HOUSING AND AIR FILTER, CAB .....	3E23	HYDRAULIC RETURN LINES ( -655400) .....
6B22	HOUSING AND KNIFEBANK, STRAW CHOPPER .....	3F1	HYDRAULIC RETURN LINES (655401- ) .....
6B24	HOUSING AND KNIFEBANK, STRAW CHOPPER .....	3B23	HYDRAULIC STEERING HOSES, UPPER AND ATTENUATOR .....
6E6	HOUSING AND PADDLE ASSEMBLY, UPPER TAILINGS AUGER .....	3E13	HYDRAULIC UPPER RETURN LINES AND HOSES, RESERVOIR .....
5C20	HOUSING AND SHOE GRAIN SUPPLY AUGERS .....	3E16	HYDRAULIC/HYDROSTATIC OIL RESERVOIR AND MOUNTINGS .....
5C22	HOUSING AND SHOE GRAIN SUPPLY AUGERS .....	2H12	HYDROSTATIC DRIVE CHARGE PUMP .....
1E7	HOUSING CONNECTORS, FUEL INJECTION PUMP (6076HH030, HHO34) .....	2H13	HYDROSTATIC DRIVE CHARGE PUMP (RING AND PINION) .....
2G24	HOUSING COVER, TRANSMISSION AND DIFFERENTIAL .....	2G14	HYDROSTATIC DRIVE CONTROL CABLE .....
2H1	HOUSING, FINAL DRIVE .....	2H15	HYDROSTATIC DRIVE DISPLACEMENT CONTROL VALVE .....
1E3	HOUSING, FUEL SHUT-OFF SOLENOID (6076HH030) (EARLY DESIGN) .....	2I24	HYDROSTATIC DRIVE HOSES, UPPER (FOUR WHEEL DRIVE)(655401- ) .....
6G20	HOUSING, HORIZONTAL UNLOADING AUGER (EXPORT) (17 AND 20 FT.) .....	2G12	HYDROSTATIC DRIVE LEVER, CABLE AND SWITC H .....
6G16	HOUSING, HORIZONTAL UNLOADING AUGER (14- AND 17-FT.) .....	2H17	HYDROSTATIC DRIVE MOTOR .....
6G18	HOUSING, HORIZONTAL UNLOADING AUGER (17- AND 20-FT.) .....	2J11	HYDROSTATIC DRIVE MOTOR .....
2H9	HOUSING, HYDROSTATIC DRIVE PUMP .....	2H19	HYDROSTATIC DRIVE MOTOR KIT .....
1D9	HOUSING, OIL COOLER AND FILTER .....	2I22	HYDROSTATIC DRIVE OIL HOSES, UPPER ( -655400) .....
1C21	HOUSING, REAR OIL SEAL (6076) .....	2I20	HYDROSTATIC DRIVE OIL LINES AND HOSES, LOWER (FOUR WHEEL DRIVE)(655401- ) .....
3C18	HOUSING, SPINDLE, REAR AXLE .....	2I16	HYDROSTATIC DRIVE OIL LINES AND HOSES, LOWER (TWO WHEEL DRIVE)(655401- ) .....
6D23	HOUSING, TAILINGS ELEVATOR .....	2I18	HYDROSTATIC DRIVE OIL LINES AND HOSES, LOWER (TWO WHEEL DRIVE)(655401- ) .....
1D15	HOUSING, THERMOSTAT, FRONT .....	2I12	HYDROSTATIC DRIVE OIL LINES AND HOSES, LOWER (2&4 WHEEL DRIVE)( -655400) .....
1D22	HOUSING, TURBOCHARGER CENTER (AIRESEARCH) .....	2I14	HYDROSTATIC DRIVE OIL LINES AND HOSES, LOWER (2&4 WHEEL DRIVE)( -655400) .....
1D23	HOUSING, TURBOCHARGER CENTER (SCHWITZER) .....	2H11	HYDROSTATIC DRIVE PISTON .....
6G13	HUB SUPPORT AND SWITCH, HORIZONTAL UNLOADING AUGER .....	2H8	HYDROSTATIC DRIVE PUMP COVER .....
3D24	HYDRAULIC CYLINDER, HEADER LIFT .....	2H5	HYDROSTATIC DRIVE PUMP, FRONT COVER AND SHAFT .....
3D13	HYDRAULIC FILTER ASSEMBLY, MAIN .....	2H9	HYDROSTATIC DRIVE PUMP, HOUSING, SWASHPLATE, AND SERVO CYLINDERS .....
3E1	HYDRAULIC FITTINGS, FEEDERHOUSE - EXPORT ...	2H14	HYDROSTATIC MOTOR VALVE .....
3H6	HYDRAULIC FLAT O-RING KIT .....	2J1	HYDROSTATIC OIL COOLER LINES AND HOSES ( -665400) .....
3D15	HYDRAULIC HOSE, VARIABLE DRIVE, FEEDER HOUSE .....	2J3	HYDROSTATIC OIL COOLER LINES AND HOSES (665401- ) .....
3E11	HYDRAULIC HOSES, CONTOUR MASTER (L.H.) (OPTIONAL) (660401- ) .....		
3F9	HYDRAULIC LINES AND HOSES, CYLINDER SPEED .....		
3E9	HYDRAULIC LINES AND HOSES, HEADER LIFT .....	6F18	IDLER AND DRIVE TIGHTENER, CLEAN GRAIN ELEVATOR .....
2J5	HYDRAULIC LINES AND HOSES, L.H., FOUR WHEEL DRIVE ( -655400) .....	4G16	IDLER SHAFT, DRUM AND CHAIN, FEEDER CONVEYOR .....
2J7	HYDRAULIC LINES AND HOSES, L.H., FOUR WH EEL DRIVE (655401- ) .....	5C11	IDLER, BEATER DRIVE BELT .....
3E5	HYDRAULIC LINES AND HOSES, REEL FORE-AND-AFT, FRONT .....	5C5	IDLER, STRIPPER BEATER DRIVE .....
3D9	HYDRAULIC LINES AND HOSES, REEL DRIVE L.H. SIDE ( -655400) .....	1D12	IMPELLER, WATER PUMP .....
3D10	HYDRAULIC LINES AND HOSES, REEL DRIVE L.H. SIDE (655401- ) .....	5C3	INDICATOR, CABLE AND BRACKETS, CONCAVE .....
3D17	HYDRAULIC LINES AND HOSES, REEL DRIVE, FRONT .....	1E5	INJ. PUMP, ELECTRONIC FUEL (RB) (6076HH030, HH034) (LATE DESIGN) .....
3D19	HYDRAULIC LINES AND HOSES, REEL PUMP .....	1E9	INJECTION NOZZLE, FUEL (DENSO) (HH030 OR HH034) .....
3D21	HYDRAULIC LINES AND HOSES, REEL PUMP .....	1C23	INJECTION PUMP ACCESS COVER (6076) .....
2J17	HYDRAULIC LINES, FOUR WHEEL DRIVE CASE DRAIN .....		
3E7	HYDRAULIC LINES, REEL FORE-AND-AFT, L.H. SIDE .....		
3G15	HYDRAULIC MOUNTING, UNLOADING AUGER SWING (655552- ) .....		
3F7	HYDRAULIC PRESSURE LINES AND HOSES .....		

## ALPHABETICAL INDEX - CONTINUED

GRID		PAGE	GRID		PAGE
1E5	INJECTION PUMP GEAR (6076HH030, HH034) (ROBERT BOSCH)(LATE DESIGN) .....	26 - 58	1D1	KIT, HEAD BOLT (6076) .....	26 - 24
1E3	INJECTION PUMP LUBE LINE (6076HH030) (EARLY DESIGN) .....	26 - 56	3H6	KIT, HYDRAULIC FLAT O-RING .....	70 - 101
1E5	INJECTION PUMP LUBE LINE (ROBERT BOSCH) (6076HH030, HH034) (LATE DESIGN) .....	26 - 58	2H19	KIT, HYDROSTATIC DRIVE MOTOR .....	50 - 40
1E3	INJECTION PUMP, ELECTRONIC FUEL (6076HH030) (EARLY DESIGN) .....	26 - 56	4G11	KIT, LOCKOUT ADAPTER - CONTOUR MASTER (BELT PU & 4R CORN HEADS)(660401- ) .....	110 - 28
2D12	INLET AIR TEMPERTURE SWITCH.....	40 - 51	6C5	KIT, METRIC KEY STOCK .....	125 - 22
2H23	INNER COVER.....	50 - 44	6E20	KIT, METRIC KEY STOCK .....	125 - 88
2G18	INPUT SHAFT, TRANSMISSION .....	50 - 14	1C18	KIT, PISTON/LINER (6076) (ESN 500000- ).....	26 - 15
1D1	INSERTS, VALVE SEAT (6076) .....	26 - 24	3D11	KIT, REEL DRIVE FLOW CONTROL REPAIR.....	70 - 6
2B16	INSTRUMENT PANEL, CAB POST .....	40 - 6	4D5	KIT, RETROFIT SEAT BELT (MACHINES PRIOR TO 1996 MODEL YEAR) .....	90 - 46
4C17	INSTRUMENT PANEL, CAB POST .....	90 - 34	2F20	KIT, TERMINAL AND WIRING .....	40 - 108
4F5	INSTRUMENT PANEL, CAB POST LH (EXPORT ONLY) .....	90 - 98	1C17	KIT, UNDERHAUL ENGINE (STD BRGS) (6076).....	26 - 14
1D18	INTAKE MANIFOLD (EARLY DESIGN) .....	26 - 45	1D14	KIT, WATER PUMP REPAIR (6076).....	26 - 40
1D19	INTAKE MANIFOLD (LATE DESIGN).....	26 - 46	6B22	KNIFEBANK AND HOUSING, STRAW CHOPPER .....	125 - 14
1D19	INTAKE MANIFOLD GASKET .....	26 - 46	6B24	KNIFEBANK AND HOUSING, STRAW CHOPPER .....	125 - 16
1D18	INTAKE MANIFOLD GASKETS.....	26 - 45	6D5	KNOB, CONTROL, CHECK VALVE AND ROD, CHAFF SPREADER .....	125 - 48
4H15	INTAKE SHIELD.....	110 - 58	L		
1F12	INTAKE TUBES, AIR CLEANER.....	30 - 12	2D1	L.H. AND R.H. MAIN WIRING HARNESS, REAR .....	40 - 40
1D1	INTAKE VALVES (6076) .....	26 - 24	3J7	L.H. FRONT CORNER SHEET AND DOOR .....	80 - 48
1D8	INTAKE, ENGINE OIL PUMP .....	26 - 32	2C23	L.H. MAIN WIRING HARNESS, CENTER .....	40 - 38
1B16	INTERCOOLER .....	20 - 10	2C21	L.H. MAIN WIRING HARNESS, FRONT .....	40 - 36
1B22	INTERCOOLER, AIR .....	20 - 16	2C19	L.H. MAIN WIRING HARNESS, L.H. FRONT.....	40 - 34
4B16	INTERIOR TRIM PANELS, CAB .....	90 - 8	3J1	L.H. SERVICE ACCESS SHIELD .....	80 - 42
5G19	INTERMEDIATE SHAFT MOUNTING, CYLINDER DRIVE, DUAL-RANGE.....	121 - 42	3C7	L.H. STEERING LINES .....	60 - 24
5G21	INTERMEDIATE SHEAVE, CYLINDER DRIVE, DUAL-RANGE .....	121 - 44	4C1	LADDER AND HANDRAIL, OPERATOR'S PLATFORM .....	90 - 18
J			3I1	LADDER AND LANDING, REAR.....	80 - 18
1C7	JETS, PISTON COOLING (6076) .....	26 - 4	4C3	LADDER AND LATCH, OPERATOR'S PLATFORM .....	90 - 20
K			3I3	LADDER LANDING LATCH ARM, REAR.....	80 - 20
6C5	KEY STOCK, METRIC KIT .....	125 - 22	2E5	LAMPS, LICENSE PLATE (EXPORT) .....	40 - 68
6E20	KEY STOCK, METRIC KIT .....	125 - 88	3I1	LANDING AND LADDER, REAR.....	80 - 18
1C19	KEY. DAMPER (6076) .....	26 - 16	4C9	LANDING AND MIRROR, CAB (L.H.) ( -650400) .....	90 - 26
1C15	KIT(S), ENGINE OVERHAUL (ESN 500000- ).....	26 - 12	4C13	LANDING AND MIRROR, CAB (R.H.) .....	90 - 30
1C15	KIT(S), EXPANDED ENGINE OVERHAUL (ESN 500000- ) .....	26 - 12	4C11	LANDING AND MIRROR, CAB, L.H. (650401- ) .....	90 - 28
2C7	KIT, AIR CONDITIONER PRESSURIZER FAN (640401-650400) .....	40 - 22	3I3	LANDING LATCH ARM, REAR LADDER.....	80 - 20
4D12	KIT, AIR SUSPENSION SEAT (665401- ) .....	90 - 54	4C3	LATCH AND LADDER, OPERATOR'S PLATFORM .....	90 - 20
4D14	KIT, AIR SUSPENSION SEAT (665401- ) .....	90 - 56	4G20	LATCH HANDLE, FEED PLATE .....	110 - 38
4D16	KIT, AIR SUSPENSION SEAT (665401- ) .....	90 - 58	4B18	LATCH, CAB DOOR .....	90 - 10
4D18	KIT, AIR SUSPENSION SEAT (665401- ) .....	90 - 60	6G5	LATCH, GRAIN TANK CLEAN OUT CHUTE .....	130 - 34
3F18	KIT, ARMATURE, SOLENOID CONTROL VALVE, AUGER SWING .....	70 - 62	5C19	LATCHES, HANDLE, SHOE GRAIN SUPPLY AUGER CLEANOUT DOOR .....	120 - 36
4F3	KIT, CAB HARDWARE .....	90 - 96	5D11	LEAK KIT, GRAIN .....	120 - 54
4E18	KIT, COMPRESSOR HARDWARE ( -650400) R-12 .....	90 - 86	2D21	LEVEL MONITOR HARNESS, DUAL, GRAIN TANK.....	40 - 60
4E23	KIT, COMPRESSOR HARDWARE (650401- ) R134A .....	90 - 92	2D5	LEVEL MONITOR, GRAIN TANK .....	40 - 44
2F16	KIT, ELECTRICAL CONNECTOR SERVICE .....	40 - 104	2G16	LEVER AND LINKAGE, GEARSHIFT .....	50 - 12
2F18	KIT, ELECTRICAL CONNECTOR SERVICE .....	40 - 106	4C19	LEVER AND LINKAGE, GEARSHIFT .....	90 - 36
5D11	KIT, GRAIN LEAK .....	120 - 54	2E5	LICENSE PLATE LAMPS (EXPORT) .....	40 - 68
			1D5	LIFT STRAPS, ENGINE.....	26 - 28
			2E4	LIGHT SWITCH, SHOE ADJUSTING .....	40 - 67
			2B11	LIGHT, CAB DOME .....	40 - 1
			2D5	LIGHT, GRAIN TANK.....	40 - 44
			2D21	LIGHT, UNLOADING AUGER, GRAIN TANK.....	40 - 60
			2B20	LIGHTING, AUXILIARY, FIELD .....	40 - 10
			2E21	LIGHTS REAR (EXPORT ONLY) .....	40 - 84
			2B18	LIGHTS, CAB ROOF .....	40 - 8
			2B19	LIGHTS, FRONT AND REAR TAIL.....	40 - 9
			2B19	LIGHTS, FRONT AND REAR TURN .....	40 - 9

## ALPHABETICAL INDEX - CONTINUED

GRID		PAGE	GRID		PAGE
2E23	LIGHTS, HEADER, (EXPORT ONLY).....	40 - 86	2I20	LINES, OIL, HYDROSTATIC DRIVE, LOWER (FOUR WHEEL DRIVE) (655401- ).....	50 - 66
2D23	LIGHTS, SIDE FINDER, L.H. AND R.H.....	40 - 62	2I18	LINES, OIL, HYDROSTATIC DRIVE, LOWER (TWO WHEEL DRIVE) (655401- ).....	50 - 64
2F8	LIGHTS, TRANSPORT WARNING .....	40 - 96	2I12	LINES, OIL, HYDROSTATIC DRIVE, LOWER (2&4 WHEEL DRIVE)( -655400) .....	50 - 58
2E19	LIGHTS,REVOLVING BEACON (EXPORT ONLY).....	40 - 82	2I14	LINES, OIL, HYDROSTATIC DRIVE, LOWER (2&4 WHEEL DRIVE)( -655400) .....	50 - 60
2D5	LIMIT SWITCH, GRAIN TANK .....	40 - 44	3F7	LINES, PRESSURE, HYDRAULIC .....	70 - 50
3E19	LINE, HOSE AND MOUNTING, ONE-HALF GALLON DUAL ACCUMULATOR ( -655400) .....	70 - 38	3E23	LINES, RETURN, HYDRAULIC ( -655400) .....	70 - 42
1E3	LINE, INJECTION PUMP LUBE (6076HH030) (EARLY DESIGN) .....	26 - 56	3F1	LINES, RETURN, HYDRAULIC (655401- ) .....	70 - 44
1E5	LINE, INJECTION PUMP LUBE (ROBERT BOSCH) (6076HH030, HH034) (LATE DESIGN) .....	26 - 58	3C9	LINES, STEERING R.H. SIDE .....	60 - 26
1C18	LINER O-RINGS (6076).....	26 - 15	3C7	LINES, STEERING, L.H. ....	60 - 24
1C18	LINER SHIM (6076).....	26 - 15	1F6	LINES, TANK FUEL .....	30 - 6
1C18	LINERS, CYLINDER (6076).....	26 - 15	1D20	LINES, TURBOCHARGER OIL (ESN 500000- ).....	26 - 48
6D9	LINES AND FITTINGS, CHAFF SPREADER .....	125 - 52	2G16	LINKAGE AND LEVER, GEARSHIFT .....	50 - 12
6D15	LINES AND HOSES, CHAFF SPREADER (DUAL MOTOR) (650401- ).....	125 - 58	4C19	LINKAGE AND LEVER, GEARSHIFT .....	90 - 36
2J9	LINES AND HOSES, FOUR WHEEL DRIVE .....	50 - 80	5H13	LINKAGE, SHEAVE, FAN DRIVE SPEED CONTROL....	121 - 60
2J5	LINES AND HOSES, FOUR WHEEL DRIVE HYDRAULIC, L.H. ( -655400).....	50 - 76	5H9	LINKAGE, SPEED CONTROL, FAN DRIVE ( -655400).....	121 - 56
2J7	LINES AND HOSES, FOUR WHEEL DRIVE HYDRAU LIC, L.H. (655401- ).....	50 - 78	5H11	LINKAGE, SPEED CONTROL, FAN DRIVE (655401- ).....	121 - 58
3E9	LINES AND HOSES, HEADER LIFT HYDRAULIC .....	70 - 28	6F13	LOADING AUGER, CLEAN GRAIN .....	130 - 16
3F9	LINES AND HOSES, HYDRAULIC, CYLINDER SPEED .....	70 - 52	6F15	LOADING AUGER, CLEAN GRAIN, FOLD (660401- ) .....	130 - 18
3D17	LINES AND HOSES, HYDRAULIC, REEL DRIVE, FRONT .....	70 - 12	2H20	LOBE MOTOR, CAM .....	50 - 41
3E5	LINES AND HOSES, HYDRAULIC, REEL FORE- AND-AFT, FRONT .....	70 - 24	4G11	LOCKOUT ADAPTER KIT - CONTOUR MASTER (BELT PU & 4R CORN HEADS)(660401-) .....	110 - 28
3D19	LINES AND HOSES, HYDRAULIC, REEL PUMP .....	70 - 14	5G15	LOCKOUT ARM, DUAL-RANGE .....	121 - 38
3D21	LINES AND HOSES, HYDRAULIC, REEL PUMP .....	70 - 16	4G9	LOCKOUT ASSEMBLY - CONTOUR MASTER (OPTIONAL) (660401- ) .....	110 - 26
2J1	LINES AND HOSES, OIL COOLER, HYDROSTATIC ( -665400) .....	50 - 72	2C23	LOGIC MODULE .....	40 - 38
2J3	LINES AND HOSES, OIL COOLER, HYDROSTATIC (665401- ) .....	50 - 74	2D3	LOGIC MODULE .....	40 - 42
3G21	LINES AND HOSES, OIL COOLER, WET CLUTCH ( -665400) .....	70 - 92	1C9	LONGBLOCK, "COMPLETE BLOCK ASSEMBLY" (ESN 500000- ).....	26 - 6
3G23	LINES AND HOSES, OIL COOLER, WET CLUTCH (665401- ) .....	70 - 94	2C10	LOW SHAFT SPEED SENSORS AND BRACKETS .....	40 - 25
2I16	LINES AND HOSES, OIL, HYDROSTATIC DRIVE, LOWER (TWO WHEEL DRIVE)(655401- ) .....	50 - 62	6C12	LOWER CURTAIN, STRAW SPREADER.....	125 - 30
3D9	LINES AND HOSES, REEL DRIVE, HYDRAULIC, L.H. SIDE ( -655400) .....	70 - 4	6C3	LOWER DOOR, STRAW CHOPPER .....	125 - 20
3D10	LINES AND HOSES, REEL DRIVE, HYDRAULIC, L.H. SIDE (655401- ) .....	70 - 5	2E11	LOWER HARNESS CONNECTORS FOR 6076 ENGINE .....	40 - 74
3E3	LINES AND HOSES, REEL LIFT .....	70 - 22	2D15	LOWER HARNESS FOR 6076 ENGINE .....	40 - 54
3C5	LINES AND HOSES, STEERING, FRONT.....	60 - 22	2I20	LOWER HYDROSTATIC DRIVE OIL LINES AND HOSES (FOUR WHEEL DRIVE)(655401- ) .....	50 - 66
3C11	LINES AND HOSES, STEERING, REAR .....	60 - 28	2I16	LOWER HYDROSTATIC DRIVE OIL LINES AND HOSES (TWO WHEEL DRIVE)(655401- ) .....	50 - 62
3G7	LINES AND HOSES, UNLOADING AUGER SWING HYDRAULIC CYLINDER.....	70 - 78	2I18	LOWER HYDROSTATIC DRIVE OIL LINES AND HOSES (TWO WHEEL DRIVE)(655401- ) .....	50 - 64
3E13	LINES AND HOSES, UPPER RETURN, HYDRAULIC RESERVOIR .....	70 - 32	2I12	LOWER HYDROSTATIC DRIVE OIL LINES AND HOSES (2&4 WHEEL DRIVE)( -655400) .....	50 - 58
1E11	LINES, FUEL FILTER (6076HH030, HH034) .....	26 - 64	2I14	LOWER HYDROSTATIC DRIVE OIL LINES AND HOSES (2&4 WHEEL DRIVE)( -655400) .....	50 - 60
1E1	LINES, FUEL INJECTION (6076HH030 OR HH034).....	26 - 54	3C3	LOWER STEERING COLUMN .....	60 - 20
1E5	LINES, FUEL LEAK-OFF (ROBERT BOSCH) (6076HH030, HH034) (LATE DESIGN) .....	26 - 58	4E4	LOWER STEERING COLUMN .....	90 - 72
1E1	LINES, FUEL LEAK-OFF (6076HH030 OR HH034).....	26 - 54	6H21	LOWER TAILINGS AUGER BELT .....	170 - 5
1E3	LINES, FUEL LEAK-OFF (6076HH030) (EARLY DESIGN) .....	26 - 56	6E2	LOWER TAILINGS AUGER CHAIN TIGHTENER .....	125 - 70
6D11	LINES, HOSES, VALVE AND PUMP, CHAFF SPREADER .....	125 - 54	6E4	LOWER TAILINGS AUGER DRIVE TIGHTENER .....	125 - 72
3E7	LINES, HYDRAULIC, REEL FORE-AND-AFT, L.H. SIDE.....	70 - 26	6D19	LOWER TAILINGS AUGER SHAFT AND TIGHTENER .....	125 - 62
6D13	LINES, MOTOR AND HOSES, CHAFF SPREADER ( -650400) .....	125 - 56	6D21	LOWER TAILINGS AUGER TROUGH .....	125 - 64
			6E1	LOWER TROUGH SUPPORT AND TAILINGS DRIVE BRACKET.....	125 - 69
			6H9	LUBE BANK, UNLOADING AUGER .....	130 - 64
			6E18	LUBE HOSES L. H. ....	125 - 86
			6E16	LUBE HOSES R. H.....	125 - 84
			5E16	LUBE LINES AND BEARING, MODULE FRONT.....	120 - 84
			2G18	LUBE PUMP, TRANSMISSION INPUT SHAFT .....	50 - 14

## ALPHABETICAL INDEX - CONTINUED

GRID	M	PAGE	GRID	PAGE	
1E22	MAGNETIC PICK-UP .....	26 - 75	3E19	MOUNTING AND ONE-HALF GALLON DUAL ACCUMULATOR ( -655400) .....	70 - 38
1C7	MAIN BEARING CAPS .....	26 - 4	6D3	MOUNTING SUPPORT, CHAFF SPREADER .....	125 - 46
1C20	MAIN BEARINGS (6076) .....	26 - 17	2E15	MOUNTING SUPPORT, ELECTRONIC CONTROL UNIT .....	40 - 78
3D13	MAIN HYDRAULIC FILTER ASSEMBLY .....	70 - 8	3I7	MOUNTING TRACKS AND SUPPORTS, MODULE .....	80 - 24
6H13	MAIN VALVE BLOCK SOLENOID DIAL-A-MATIC HEADER HEIGHT CONTROL .....	160 - 3	3G9	MOUNTING, GRAIN TANK UNLOADING DRIVE CYLINDER .....	70 - 80
2H25	MANIFOLD AND PACKING .....	50 - 46	3E21	MOUNTING, ONE GALLON ACCUMULATOR (655401- ) .....	70 - 40
4E21	MANIFOLD, A/C COMPRESSOR (650401- ) R134A .....	90 - 90	3E17	MOUNTING, ONE HALF GALLON SINGLE ACCUMULATOR .....	70 - 36
1D24	MANIFOLD, EXHAUST .....	26 - 52	3G11	MOUNTING, UNLOADING AUGER SWING CYLINDER .....	70 - 82
1D18	MANIFOLD, INTAKE (EARLY DESIGN) .....	26 - 45	3G13	MOUNTING, UNLOADING AUGER SWING CYLINDER (650401-655551) .....	70 - 84
1D19	MANIFOLD, INTAKE (LATE DESIGN) .....	26 - 46	3G15	MOUNTING, UNLOADING AUGER SWING HYDRAULIC (655552- ) .....	70 - 86
1D15	MANIFOLD, WATER, FRONT .....	26 - 42	3G1	MOUNTINGS, SIX STACK SOLENOID CONTROL VALVE (660401- ) .....	70 - 72
3B15	MASTER CYLINDER, BRAKE .....	60 - 8	3F23	MOUNTINGS, SOLENOID CONTROL VALVE MODULE ASSEMBLY .....	70 - 68
3B13	MASTER CYLINDER, RESERVOIR AND BRAKE LINES .....	60 - 6	1B18	MOUNTS, ENGINE (655401- ) .....	20 - 12
3B11	MASTER CYLINDERS .....	60 - 4	3I19	MUD AND FAN DRIVE SHIELDS (L-H SIDE) .....	80 - 36
4B10	MAT, FLOOR, AND CAB PANELS .....	90 - 2	2I11	MUD SHIELDS .....	50 - 57
6C5	METRIC KEY STOCK KIT .....	125 - 22	3J9	MUD SHIELDS (R.H. SIDE) .....	80 - 50
6E20	METRIC KEY STOCK KIT .....	125 - 88	1F14	MUFFLER AND EXHAUST PIPES .....	30 - 14
4C9	MIRROR AND LANDING, CAB (L.H.) ( -650400) .....	90 - 26			
4C13	MIRROR AND LANDING, CAB (R.H.) .....	90 - 30		N	
4C11	MIRROR AND LANDING, CAB, L.H. (650401- ) .....	90 - 28	1E9	NOZZLE, FUEL INJECTION (DENSO) (HH030 OR HH034) .....	26 - 62
5E9	MODULE ASSEMBLY (655542- ) .....	120 - 76	1E1	NOZZLES, FUEL INJECTION (6076HH030 OR HH034) .....	26 - 54
5E12	MODULE CRANK OUT SYSTEM .....	120 - 80		O	
5F7	MODULE DRIVE GEARCASE, L.H. .....	121 - 6	1C18	O-RINGS, LINER (6076) .....	26 - 15
5F5	MODULE DRIVE GEARCASE, R.H. .....	121 - 4	1B22	OIL COOLER .....	20 - 16
5F9	MODULE DRIVES, ENGINE GEARCASE .....	121 - 8	3H1	OIL COOLER AND A/C CONDENSER .....	70 - 96
5F11	MODULE DRIVES, ENGINE GEARCASE .....	121 - 10	1D9	OIL COOLER GASKET .....	26 - 34
5E14	MODULE FRAME AND COVERS .....	120 - 82	2J1	OIL COOLER LINES AND HOSES, HYDROSTATIC ( -665400) .....	50 - 72
5E16	MODULE FRONT BEARING AND LUBE LINES .....	120 - 84	2J3	OIL COOLER LINES AND HOSES, HYDROSTATIC (665401- ) .....	50 - 74
5F3	MODULE GEARBOX, SHAFT AND COUPLING .....	121 - 2	3G21	OIL COOLER LINES AND HOSES, WET CLUTCH ( -665400) .....	70 - 92
5E18	MODULE GRATE ASSEMBLY, FINGER BAR AND FILLER PLATE .....	120 - 86	3G23	OIL COOLER LINES AND HOSES, WET CLUTCH (665401- ) .....	70 - 94
3I7	MODULE MOUNTING TRACKS AND SUPPORTS .....	80 - 24	1B20	OIL DRAIN, ENGINE CRANKCASE .....	20 - 14
3H9	MODULE RAILS, TINE SEPARATOR .....	80 - 2	3H3	OIL FILTER ASSEMBLY, ENGINE GEARCASE .....	70 - 98
5E10	MODULE REAR SHIELDS .....	120 - 78	1D9	OIL FILTER BYPASS VALVE .....	26 - 34
6J17	MODULE SAFETY DECALS, SEPARATOR .....	170 - 51	1D9	OIL FILTER HOUSING GASKET .....	26 - 34
5E20	MODULE TINE SEPARATORS .....	120 - 88	1D9	OIL FILTER, ENGINE .....	26 - 34
2D1	MODULE WIRING HARNESS .....	40 - 40	2I20	OIL HOSES, HYDROSTATIC DRIVE, LOWER (FOUR WHEEL DRIVE) (655401- ) .....	50 - 66
2E17	MODULE, CENTRAL ELECTRONICS .....	40 - 80	2I18	OIL HOSES, HYDROSTATIC DRIVE, LOWER (TWO WHEEL DRIVE) (655401- ) .....	50 - 64
2C23	MODULE, LOGIC .....	40 - 38	2I12	OIL HOSES, HYDROSTATIC DRIVE, LOWER (2&4 WHEEL DRIVE)( -655400) .....	50 - 58
2D3	MODULE, LOGIC .....	40 - 42	2I14	OIL HOSES, HYDROSTATIC DRIVE, LOWER (2&4 WHEEL DRIVE)( -655400) .....	50 - 60
3G1	MODULE, SIX STACK SOLENOID CONTROL VALVE ASSEMBLY & MOUNTINGS (660401- ) .....	70 - 72	2I22	OIL HOSES, UPPER, HYDROSTATIC DRIVE ( -655400) .....	50 - 68
2D9	MONITOR AND WIRING HARNESS, HARVESTRAK .....	40 - 48			
2D21	MONITOR HARNESS, DUAL LEVEL, GRAIN TANK .....	40 - 60			
2D5	MONITOR, LEVEL, GRAIN TANK .....	40 - 44			
2F2	MOTOR AND BRACKET, REEL SPEED .....	40 - 90			
2H19	MOTOR KIT, HYDROSTATIC DRIVE .....	50 - 40			
2H14	MOTOR VALVE, HYDROSTATIC .....	50 - 35			
2H20	MOTOR, CAM LOBE .....	50 - 41			
3D14	MOTOR, CHAFF SPREADER (EATON) (655929- ) .....	70 - 9			
2D18	MOTOR, CONCAVE ADJUSTING .....	40 - 57			
6D13	MOTOR, HOSES AND LINES, CHAFF SPREADER ( -650400) .....	125 - 56			
2H17	MOTOR, HYDROSTATIC DRIVE .....	50 - 38			
2J11	MOTOR, HYDROSTATIC DRIVE .....	50 - 82			
2D20	MOTOR, SEPARATOR FAN DRIVE, ADJUSTING .....	40 - 59			
1E18	MOTOR, STARTING (DENSO) (12V F4) .....	26 - 71			

## ALPHABETICAL INDEX - CONTINUED

GRID		PAGE	GRID		PAGE
2116	OIL LINES AND HOSES, HYDROSTATIC DRIVE, LOWER (TWO WHEEL DRIVE)(655401- ) .....	50 - 62	3B9	PARKING BRAKE PEDAL AND SEAL .....	60 - 2
2120	OIL LINES HYDROSTATIC DRIVE, LOWER (FOUR WHEEL DRIVE) (655401- ) .....	50 - 66	4D4	PASSENGER SEAT SEATBELT .....	90 - 45
2118	OIL LINES HYDROSTATIC DRIVE, LOWER (TWO WHEEL DRIVE) (655401- ) .....	50 - 64	3B9	PEDAL, PARKING BRAKE .....	60 - 2
2114	OIL LINES HYDROSTATIC DRIVE, LOWER (2&4 WHEEL DRIVE)( -655400) .....	50 - 60	3B11	PEDALS, BRAKE .....	60 - 4
2112	OIL LINES, HYDROSTATIC DRIVE, LOWER (2&4 WHEEL DRIVE)( -655400) .....	50 - 58	1E22	PICK-UP, MAGNETIC .....	26 - 75
1D20	OIL LINES, TURBOCHARGER (ESN 500000- ) .....	26 - 48	3G5	PICKUP DRIVE PUMP, REEL/BELT .....	70 - 76
1D11	OIL PAN .....	26 - 36	2G20	PINION SHAFT, TRANSMISSION .....	50 - 16
1D11	OIL PAN DRAIN VALVE .....	26 - 36	2H3	PINION, FINAL DRIVE .....	50 - 24
1D11	OIL PAN GASKET .....	26 - 36	1F14	PIPES, MUFFLER AND EXHAUST .....	30 - 14
1D9	OIL PRESSURE REGULATING VALVE .....	26 - 34	2H11	PISTON ASSEMBLY, HYDROSTATIC DRIVE .....	50 - 32
1D6	OIL PUMP DRIVE GEAR .....	26 - 30	1C7	PISTON COOLING JETS (6076) .....	26 - 4
1C19	OIL PUMP DRIVE GEAR (6076) .....	26 - 16	1C18	PISTON RINGS (6076) (ESN 500000- ) .....	26 - 15
1D8	OIL PUMP INTAKE GASKET .....	26 - 32	1C18	PISTON/LINER KIT(6076) (ESN 500000- ) .....	26 - 15
3E16	OIL RESERVOIR AND MOUNTINGS, HYDRAULIC/ HYDROSTATIC .....	70 - 35	1C18	PISTON, ENGINE (6076)(ESN 500000- ) .....	26 - 15
1C23	OIL SEAL, CRANKSHAFT FRONT (6076) .....	26 - 20	2I2	PISTONS, CAM AND CARRIER .....	50 - 48
1C21	OIL SEAL, REAR (6076) .....	26 - 18	5H5	PIVOT ARM DRIVE TIGHTENER, CLEANING SHOE AND CONVEYOR AUGER .....	121 - 52
4E21	OIL, A/C COMPRESSOR (650401- ) R134A .....	90 - 90	2I4	PIVOTS, CAPS AND YOKE .....	50 - 50
3E21	ONE GALLON ACCUMULATOR AND MOUNTING (655401- ) .....	70 - 40	6G24	PLATE, CROSS AUGER BEARING, L.H. ....	130 - 52
3E17	ONE HALF GALLON SINGLE ACCUMULATOR AND MOUNTING .....	70 - 36	4G7	PLATES, CLOSURE, FEEDER HOUSE - CONTOUR MASTER (660401- ) .....	110 - 24
3E19	ONE-HALF GALLON DUAL ACCUMULATOR, HOSE, LINE AND MOUNTING ( -655400) .....	70 - 38	4G5	PLATES, WEAR, FEEDER HOUSE - CONTOUR MASTER (660401- ) .....	110 - 22
4C1	OPERATOR'S PLATFORM LADDER AND HANDRAIL ..	90 - 18	3H23	PLATFORM AND STEP, ENGINE ACCESS .....	80 - 16
4C3	OPERATOR'S PLATFORM LADDER AND LATCH .....	90 - 20	3H17	PLATFORM, ENGINE .....	80 - 10
4D1	OPERATOR'S SEAT AND BACKREST .....	90 - 42	3D16	PLATFORM, 200 SERIES CUTTING, CONVERSION PARTS .....	70 - 11
4D3	OPERATOR'S SEAT SEATBELT .....	90 - 44	3E1	PLUMBING, FEEDERHOUSE - EXPORT .....	70 - 20
2H21	OUTER COVER, BEARINGS, SEALS AND SHAFT CAM LOBE MOTOR .....	50 - 42	2B16	POST INSTRUMENT PANEL, CAB .....	40 - 6
2F6	OUTLET, CONVENIENCE (660401- ) .....	40 - 94	4C17	POST INSTRUMENT PANEL, CAB .....	90 - 34
2F5	OUTLET, ELECTRICAL SERVICE .....	40 - 93	5D9	PRECLEANER CHAFFER FRAME .....	120 - 52
1C15	OVERHAUL KIT(S), ENGINE (ESN 500000- ) .....	26 - 12	5D13	PRECLEANER CHAFFER FRAME ARMS .....	120 - 56
2B14	OVERHEAD CONSOLE PANEL .....	40 - 4	5D5	PRECLEANING CHAFFER ( -655400) .....	120 - 48
	<b>P</b>		5D7	PRECLEANING CHAFFER (655401- ) .....	120 - 50
2H25	PACKING AND MANIFOLD .....	50 - 46	3D7	PRESSURE GAUGE, ACCUMULATOR .....	70 - 2
6E6	PADDLE ASSEMBLY AND HOUSING, UPPER TAILINGS AUGER .....	125 - 74	3F3	PRESSURE HOSE, CHARGE .....	70 - 46
1D11	PAN, OIL .....	26 - 36	3F5	PRESSURE REGULATOR, ENGINE GEARCASE .....	70 - 48
6C24	PAN, SEALS, CHAFF SPREADER (BELT TYPE) ( -650400) .....	125 - 42	3F7	PRESSURE, HYDRAULIC, LINES AND HOSES .....	70 - 50
5E3	PAN, SHAKER ( -655400) .....	120 - 70	4E8	PRESSURIZER AND AIR CONDITIONING/ HEATER FAN .....	90 - 76
5E5	PAN, SHAKER (655401-665400) .....	120 - 72	5G3	PRIMARY COUNTERSHAFT GEARCASE .....	121 - 26
5E7	PAN, SHAKER (665401- ) .....	120 - 74	5G5	PRIMARY COUNTERSHAFT GEARCASE .....	121 - 28
6D1	PAN, WINGS AND SEALS, CHAFF SPREADER (DUAL MOTOR) (650401- ) .....	125 - 44	5G1	PRIMARY COUNTERSHAFT, DRIVE SHAFT AND GEARCASE MOUNTING .....	121 - 24
2B24	PANEL, ARMREST CONTROL .....	40 - 14	5G9	PRIMARY COUNTERSHAFT, SUPPORTS AND VARI- ABLE SHEAVE .....	121 - 32
2B16	PANEL, CAB POST INSTRUMENT .....	40 - 6	4E22	PULLEY, A/C COMPRESSOR (650401- ) R134A .....	90 - 91
4C17	PANEL, CAB POST INSTRUMENT .....	90 - 34	4E16	PULLEY, COMPRESSOR ( -650400) R-12 .....	90 - 84
2B14	PANEL, OVERHEAD CONSOLE .....	40 - 4	5H1	PULLEY, SECONDARY COUNTERSHAFT DRIVE .....	121 - 48
4B10	PANELS AND FLOOR MAT, CAB .....	90 - 2	5F21	PUMP AND SEPARATOR DRIVE, ENGINE GEARCASE .....	121 - 20
4B16	PANELS, CAB INTERIOR TRIM .....	90 - 8	5F23	PUMP DRIVE AND SEPARATOR, GEARCASE .....	121 - 22
			5F17	PUMP DRIVE SHAFT AND SEPARATOR DRIVE WET-CLUTCH, GEARCASE .....	121 - 16
			6D17	PUMP, CHAFF SPREADER .....	125 - 60
			2H5	PUMP, DRIVE, HYDROSTATIC .....	50 - 26
			1D6	PUMP, ENGINE OIL .....	26 - 30
			1F4	PUMP, FUEL .....	30 - 4
			1E5	PUMP, FUEL INJECTION (ROBERT BOSCH) (6076HH030, HH034) (LATE DESIGN) .....	26 - 58
			1E3	PUMP, FUEL INJECTION (6076HH030) (EARLY DESIGN) .....	26 - 56



## ALPHABETICAL INDEX - CONTINUED

GRID		PAGE	GRID		PAGE
1E8	PUMP, FUEL TRANSFER (ROBERT BOSCH) (6076HH030, HH034) .....	26 - 61	3D9	REEL DRIVE HYDRAULIC LINES AND HOSES L.H. SIDE ( -655400) .....	70 - 4
2H12	PUMP, HYDROSTATIC DRIVE CHARGE .....	50 - 33	3D10	REEL DRIVE HYDRAULIC LINES AND HOSES L.H. SIDE (655401- ) .....	70 - 5
2H13	PUMP, HYDROSTATIC DRIVE CHARGE (RING AND PINION) .....	50 - 34	3D17	REEL DRIVE HYDRAULIC LINES AND HOSES, FRONT .....	70 - 12
6D11	PUMP, LINES, HOSES AND VALVE, CHAFF SPREADER .....	125 - 54	3E5	REEL FORE-AND-AFT HYDRAULIC LINES AND HOSES, FRONT .....	70 - 24
3G3	PUMP, MAIN HYDRAULIC .....	70 - 74	3E7	REEL FORE-AND-AFT HYDRAULIC LINES, L.H. SIDE .....	70 - 26
3D19	PUMP, REEL, HYDRAULIC LINES AND HOSES .....	70 - 14	3F19	REEL FORE/AFT SOLENOID CONTROL VALVE (650401- ) .....	70 - 64
3D21	PUMP, REEL, HYDRAULIC LINES AND HOSES .....	70 - 16	3F14	REEL LIFT AND CYLINDER SPEED, SOLENOID CONTROL VALVE .....	70 - 58
3B21	PUMP, STEERING .....	60 - 14	3E3	REEL LIFT LINES AND HOSES .....	70 - 22
1D12	PUMP, WATER .....	26 - 38	3D19	REEL PUMP HYDRAULIC LINES AND HOSES .....	70 - 14
1D3	PUSH RODS .....	26 - 26	3D21	REEL PUMP HYDRAULIC LINES AND HOSES .....	70 - 16
<b>Q</b>			2F4	REEL SPEED CONTROL AND RELAYS (EXPORT ONLY) .....	40 - 92
211	QUILL, BEARING AND COVER .....	50 - 47	2F2	REEL SPEED MOTOR AND BRACKET .....	40 - 90
<b>R</b>			5H17	REEL/BELT PICKUP CHARGE PUMP MOUNTING AND SHEAVE .....	121 - 64
2D3	R.H. MAIN WIRING HARNESS .....	40 - 42	5H18	REEL/BELT PICKUP CHARGE PUMP MOUNTING AND SHEAVE .....	121 - 65
3I23	R.H. SERVICE ACCESS SHIELD .....	80 - 40	3G5	REEL/BELT PICKUP DRIVE PUMP .....	70 - 76
3C9	R.H. SIDE STEERING LINES .....	60 - 26	2E1	REGULATOR, ALTERNATOR AND VOLTAGE - BOSC H .....	40 - 64
1F16	RADIATOR AND HOSES .....	30 - 16	3F5	REGULATOR, PRESSURE, ENGINE GEARCASE .....	70 - 48
3H13	RADIATOR DOOR, ENGINE ACCESS DOOR, HANDRAILS .....	80 - 6	2E9	RELAYS, ENGINE CIRCUIT BREAKER .....	40 - 72
3H15	RADIATOR SHELL AND SEALS .....	80 - 8	2E6	RELAYS, ENGINE CIRCUIT BREAKER ( -660400) .....	40 - 69
1B22	RADIATOR WITH OIL COOLER .....	20 - 16	2E7	RELAYS, ENGINE CIRCUIT BREAKER (660401- ) .....	40 - 70
2C17	RADIO, SPEAKERS AND ANTENNA .....	40 - 32	3F11	RELIEF VALVE MODULE, SOLENOID CONTROL .....	70 - 54
3H9	RAILS, TINE SEPARATOR MODULE .....	80 - 2	3F11	RELIEF VALVE, SOLENOID CONTROL - CONTOUR MASTER .....	70 - 54
5B20	RASP BAR CONCAVE AND GRATE .....	120 - 12	1D14	REPAIR KIT, WATER PUMP (6076) .....	26 - 40
5B18	RASP BAR THRESHING CYLINDER .....	120 - 10	3E13	RESERVOIR HYDRAULIC UPPER RETURN LINES AND HOSES .....	70 - 32
4B14	REAR AND SIDE SEALS, CAB .....	90 - 6	3B13	RESERVOIR, BRAKE LINES AND MASTER CYLINDER .....	60 - 6
3C18	REAR AXLE SPINDLE HOUSING .....	60 - 35	3E16	RESERVOIR, OIL, MOUNTINGS, HYDRAULIC/ HYDROSTATIC .....	70 - 35
3C23	REAR AXLE SPINDLES .....	60 - 40	2J15	RESERVOIR, RETURN LINE .....	50 - 86
3C15	REAR AXLE SUPPORT .....	60 - 32	4H11	RETROFIT INSTALLATION - LH SIDE FEEDER HOUSE DUST FAN BELT .....	110 - 54
3C14	REAR AXLE TRASH SHIELD .....	60 - 31	4H9	RETROFIT INSTALLATION-FEEDER CONVEYOR DRIVE CHAIN,TIGHTENER AND GUIDES .....	110 - 52
3C16	REAR AXLE, ADJUSTABLE .....	60 - 33	4H13	RETROFIT INSTALLATION-LH SIDE FEEDER HOUSE DUST FAN .....	110 - 56
3C17	REAR AXLE, FIXED (GRAIN) (655542- ) .....	60 - 34	4D5	RETROFIT SEAT BELT KIT (MACHINES PRIOR TO 1996 MODEL YEAR) .....	90 - 46
3J5	REAR CORNER SHEET, L H .....	80 - 46	4H1	RETURN FLOOR, FEEDER HOUSE .....	110 - 44
3I5	REAR HOOD .....	80 - 22	2J15	RETURN LINE, RESERVOIR .....	50 - 86
3I9	REAR HOOD ACCESS DOOR AND STOP .....	80 - 26	3E13	RETURN LINES AND HOSES, UPPER HYDRAULIC RESERVOIR .....	70 - 32
2D1	REAR HOOD AND MODULE WIRING HARNESSES .....	40 - 40	3E23	RETURN LINES, HYDRAULIC ( -655400) .....	70 - 42
3I11	REAR HOOD DOOR .....	80 - 28	3F1	RETURN LINES, HYDRAULIC (655401- ) .....	70 - 44
3I1	REAR LADDER AND LANDING .....	80 - 18	4C21	REVERSER FOOT CONTROL, FEEDER HOUSE .....	90 - 38
3I3	REAR LADDER LANDING LATCH ARM .....	80 - 20	4F13	REVERSER FOOT CONTROL, FEEDER HOUSE .....	110 - 6
6E14	REAR LEFT SIDE TAILINGS SHIELD .....	125 - 82	4F11	REVERSER GEAR BOX .....	110 - 4
2E21	REAR LIGHTS (EXPORT ONLY) .....	40 - 84	4H5	REVERSER) .....	110 - 48
1C21	REAR OIL SEAL (6076) .....	26 - 18	2E19	REVOLVING BEACON LIGHTS (EXPORT ONLY) .....	40 - 82
1C21	REAR OIL SEAL GASKET (6076) .....	26 - 18	1C18	RINGS, PISTON (6076) (ESN 500000- ) .....	26 - 15
1C21	REAR OIL SEAL HOUSING (6076) .....	26 - 18	1D4	ROCKER ARM COVER .....	26 - 27
5E10	REAR SHIELDS, MODULE .....	120 - 78			
3C11	REAR STEERING LINES AND HOSES .....	60 - 28			
1B18	REAR SUPPORT, ENGINE MOUNTS (655401- ) .....	20 - 12			
6E14	REAR TAILINGS SHIELD, LEFT SIDE .....	125 - 82			
6J13	REAR WHEEL DECALS .....	170 - 46			
3C22	REAR WHEELS .....	60 - 39			
3D1	REAR WHEELS AND WHEEL WEIGHTS .....	60 - 42			
2D1	REAR, L.H. AND R.H. MAIN WIRING HARNESS .....	40 - 40			
6H20	REEL BELTS .....	170 - 4			
3D11	REEL DRIVE FLOW CONTROL VALVE .....	70 - 6			
6D7	REEL DRIVE FLOW CONTROL VALVE .....	125 - 50			

## ALPHABETICAL INDEX - CONTINUED

GRID		PAGE	GRID		PAGE
1D4	ROCKER ARM COVER GASKET .....	26 - 27	4B14	SEALS, REAR AND SIDE, CAB .....	90 - 6
1D3	ROCKER ARM SHAFT .....	26 - 26	2H21	SEALS, SHAFT, OUTER COVER AND BEARINGS CAM LOBE MOTOR .....	50 - 42
1D3	ROCKER ARMS .....	26 - 26	3H15	SEALS, SHELL, RADIATOR .....	80 - 8
6D5	ROD, KNOB, CONTROL AND CHECK VALVE, CHAFF SPREADER .....	125 - 48	4D6	SEAT ADJUST FORE-AND-AFT .....	90 - 48
1C18	RODS, CONNECTING (6076) .....	26 - 15	4D1	SEAT AND BACKREST, OPERATOR'S .....	90 - 42
1D3	RODS, PUSH .....	26 - 26	4D5	SEAT BELT KIT, RETROFIT (MACHINES PRIOR TO 1996 MODEL YEAR) .....	90 - 46
3C19	RODS, TIE, STEERING .....	60 - 36	4D8	SEAT HEIGHT ADJUSTER, CAB .....	90 - 50
3H9	ROLLERS, FRONT MODULE .....	80 - 2	4C23	SEAT SHROUDS AND TRAINING SEAT .....	90 - 40
4B24	ROOF AND SUPPORTS, CAB .....	90 - 16	4D10	SEAT, AIR SUSPENSION (660401- ) .....	90 - 52
2B18	ROOF, CAB LIGHTS .....	40 - 8	4D12	SEAT, AIR SUSPENSION KITS (665401- ) .....	90 - 54
6H19	ROTARY SCREEN BELTS .....	170 - 3	4D14	SEAT, AIR SUSPENSION KITS (665401- ) .....	90 - 56
1B10	ROTARY SCREEN DOOR AND SCREEN .....	20 - 4	4D16	SEAT, AIR SUSPENSION KITS (665401- ) .....	90 - 58
1B8	ROTARY SCREEN DRIVE .....	20 - 2	4D18	SEAT, AIR SUSPENSION KITS (665401- ) .....	90 - 60
6B18	ROTOR STRAW CHOPPER, FINE CUT (PADDLED NARROW (670401- ) .....	125 - 10	2C5	SEAT, AIR, WIRING HARNESS (660401- ) .....	40 - 20
6B16	ROTOR STRAW CHOPPER, FINE CUT (STRAIGHT NARROW (670401- ) .....	125 - 8	4D3	SEAT, OPERATOR'S SEATBELT .....	90 - 44
6B20	ROTOR, SHEAVE AND STRAW CHOPPER .....	125 - 12	4D4	SEAT, SEATBELT - PASSENGER .....	90 - 45
S					
6H22	SAFETY DECALS AND LOCATIONS .....	170 - 6	4D3	SEATBELT, OPERATOR'S SEAT .....	90 - 44
6H24	SAFETY DECALS AND LOCATIONS .....	170 - 8	4D4	SEATBELT, PASSENGER SEAT .....	90 - 45
6I1	SAFETY DECALS AND LOCATIONS .....	170 - 10	5H1	SECONDARY COUNTERSHAFT DRIVE .....	121 - 48
6I3	SAFETY DECALS AND LOCATIONS .....	170 - 12	5H1	SECONDARY COUNTERSHAFT DRIVE PULLEY .....	121 - 48
6I5	SAFETY DECALS AND LOCATIONS .....	170 - 14	2F10	SENSOR, BACKSHAFT SPEED, FEEDER HOUSE .....	40 - 98
6I7	SAFETY DECALS AND LOCATIONS .....	170 - 16	1E22	SENSOR, ENGINE SPEED .....	26 - 75
6I9	SAFETY DECALS AND LOCATIONS .....	170 - 18	2F1	SENSOR, STUBBLE HEIGHT (EXPORT ONLY) .....	40 - 89
6I11	SAFETY DECALS AND LOCATIONS - FRENCH .....	170 - 20	1E5	SENSOR, TEMPERATURE (6076HH030, HH034) (ROBERT BOSCH)(LATE DESIGN) .....	26 - 58
6I13	SAFETY DECALS AND LOCATIONS - FRENCH .....	170 - 22	2D7	SENSOR, UNLOADING AUGER (660401- ) .....	40 - 46
6I15	SAFETY DECALS AND LOCATIONS - FRENCH .....	170 - 24	2C10	SENSORS AND BRACKETS, LOW SHAFT SPEED .....	40 - 25
6I17	SAFETY DECALS AND LOCATIONS - FRENCH .....	170 - 26	5F21	SEPARATOR AND PUMP DRIVE, ENGINE GEARCASE .....	121 - 20
6I19	SAFETY DECALS AND LOCATIONS - FRENCH .....	170 - 28	5F23	SEPARATOR AND PUMP DRIVE, GEARCASE .....	121 - 22
6I21	SAFETY DECALS AND LOCATIONS - ITALIAN .....	170 - 30	5F13	SEPARATOR AND UNLOADING DRIVE GEAR, ENGINE GEARCASE .....	121 - 12
6J1	SAFETY DECALS AND LOCATIONS - ITALIAN .....	170 - 34	5F15	SEPARATOR DRIVE GEAR, UNLOADING DRIVE AND STRAW CHOPPER, ENGINE GEARCASE .....	121 - 14
6J3	SAFETY DECALS AND LOCATIONS - ITALIAN .....	170 - 36	3I13	SEPARATOR DRIVE SIDE SHIELDS .....	80 - 30
6J5	SAFETY DECALS AND LOCATIONS - ITALIAN .....	170 - 38	5F17	SEPARATOR DRIVE WET-CLUTCH AND PUMP DRIVE SHAFT, GEARCASE .....	121 - 16
6J7	SAFETY DECALS AND LOCATIONS - ITALIAN .....	170 - 40	5H7	SEPARATOR FAN DRIVE .....	121 - 54
4F23	SAFETY STOP, CONTOUR MASTER FEEDER HOUSE (660401-660432) .....	110 - 16	2D20	SEPARATOR FAN DRIVE ADJUSTING MOTOR .....	40 - 59
4G1	SAFETY STOP, CONTOUR MASTER FEEDER HOUSE (661186- ) .....	110 - 18	3H11	SEPARATOR FRAME .....	80 - 4
4F21	SAFETY STOP, DRIVE SHIELDS, FEEDER HOUSE .....	110 - 14	6J17	SEPARATOR MODULE SAFETY DECALS .....	170 - 51
6H7	SAMPLING TROUGH, GRAIN TANK .....	130 - 62	5E20	SEPARATOR TINES, MODULE .....	120 - 88
1B8	SCREEN DRIVE, ROTARY .....	20 - 2	5B10	SEPARATOR/FEEDER HOUSE SEAL, STONE TRAP AND DOOR .....	120 - 2
1B10	SCREEN, ROTARY DOOR .....	20 - 4	3H9	SEPARATOR, MODULE RAILS .....	80 - 2
4E21	SEAL, A/C COMPRESSOR (650401- ) R134A .....	90 - 90	1F4	SEPARATOR, WATER .....	30 - 4
4E24	SEAL, A/C COMPRESSOR KIT (650401- ) R134A .....	90 - 93	3J1	SERVICE ACCESS SHIELD, L.H. ....	80 - 42
2D11	SEAL, DEFLECTOR - LESS HARVESTRAK (655542- ) .....	40 - 50	3I23	SERVICE ACCESS SHIELD, R.H. ....	80 - 40
1C23	SEAL, FRONT OIL (6076) .....	26 - 20	2F16	SERVICE KIT, ELECTRICAL CONNECTORS .....	40 - 104
3B9	SEAL, PARKING BRAKE PEDAL .....	60 - 2	2F18	SERVICE KIT, ELECTRICAL CONNECTORS .....	40 - 106
1C21	SEAL, REAR OIL (6076) .....	26 - 18	2F5	SERVICE OUTLET, ELECTRICAL .....	40 - 93
5B10	SEAL, STONE TRAP AND DOOR, SEPARATOR/ FEEDER HOUSE .....	120 - 2	2H9	SERVO CYLINDERS, HYDROSTATIC DRIVE PUMP ...	50 - 30
1D12	SEAL, WATER PUMP .....	26 - 38	4E18	SET, COMPRESSOR HARDWARE ( -650400) R-12 .....	90 - 86
4G5	SEALS, FEEDER HOUSE - CONTOUR MASTER (660401- ) .....	110 - 22	6D19	SHAFT AND TIGHTENER, LOWER TAILINGS AUGER .....	125 - 62
4B12	SEALS, FOAM, SOUND DEADENING, CAB .....	90 - 4	5F3	SHAFT, COUPLING AND GEARBOX, MODULE .....	121 - 2
6D1	SEALS, PAN AND WINGS, CHAFF SPREADER (DUAL MOTOR) (650401- ) .....	125 - 44			
6C24	SEALS, PAN, CHAFF SPREADER (BELT TYPE) ( -650400) .....	125 - 42			

## ALPHABETICAL INDEX - CONTINUED

GRID		PAGE	GRID		PAGE
4H5	SHAFT, DRIVE, FRONT, SHEAVE AND MOUNTINGS (FIXED SPEED WITH REVERSER) ....	110 - 48	2E4	SHOE ADJUSTING LIGHT SWITCH .....	40 - 67
4F15	SHAFT, FRONT WITH REVERSER (VARIABLE) 9400, 9500 COMBINES .....	110 - 8	5C19	SHOE GRAIN SUPPLY AUGER CLEANOUT DOOR, HANDLE AND LATCHES .....	120 - 36
2H5	SHAFT, HYDROSTATIC DRIVE PUMP .....	50 - 26	5C20	SHOE GRAIN SUPPLY AUGERS AND HOUSING .....	120 - 38
2H21	SHAFT, OUTER COVER, BEARING AND SEALS CAM LOBE MOTOR .....	50 - 42	5C22	SHOE GRAIN SUPPLY AUGERS AND HOUSING .....	120 - 40
1D3	SHAFT, ROCKER ARM .....	26 - 26	3B17	SHOES, BRAKE .....	60 - 10
2G22	SHAFTS, DIFFERENTIAL .....	50 - 18	1C13	SHORT BLOCK (WITH HEAD BOLTS) .....	26 - 10
2H3	SHAFTS, FINAL DRIVE .....	50 - 24	1C11	SHORT BLOCK (WITHOUT HEAD BOLTS) .....	26 - 8
5E3	SHAKER PAN ( -655400) .....	120 - 70	1E15	SHORT BLOCK GASKET KIT (6076) .....	26 - 68
5E5	SHAKER PAN (655401-665400) .....	120 - 72	5C24	SHROUDS AND FANS, CLEANING .....	120 - 42
5E7	SHAKER PAN (665401- ) .....	120 - 74	5D1	SHROUDS AND FANS, CLEANING .....	120 - 44
5H17	SHEAVE AND CHARGE PUMP MOUNTING, REEL/ BELT PICKUP .....	121 - 64	4C23	SHROUDS, SEAT .....	90 - 40
5C15	SHEAVE AND GEARCASE, BEATER .....	120 - 32	1E5	SHUT-OFF HOUSING SOLENOID (ROBERT BOSCH) (6076HH030, HH034) (LATE DESIGN) .....	26 - 58
6F16	SHEAVE AND GEARCASE, CLEAN GRAIN ELEVATOR .....	130 - 20	4B14	SIDE AND REAR SEALS, CAB .....	90 - 6
5H13	SHEAVE LINKAGE, FAN DRIVE SPEED CONTROL ....	121 - 60	2D23	SIDE FINDER LIGHTS, L.H. AND R.H. ....	40 - 62
4F9	SHEAVE, MOUNTINGS, FRONT VARIABLE DRIVE .....	110 - 2	3I13	SIDE SHIELDS, SEPARATOR DRIVE .....	80 - 30
4H3	SHEAVE, MOUNTINGS, UPPER DRIVE SHAFT .....	110 - 46	5H3	SIEVE AND CHAFFER DRIVE, CONVEYOR AUGERS	121 - 50
6B20	SHEAVE, ROTOR AND STRAW CHOPPER .....	125 - 12	5D23	SIEVE ELEMENT .....	120 - 66
6F7	SHEAVE, SHAFT AND SPROCKET, UPPER CLEAN GRAIN ELEVATOR .....	130 - 10	5E1	SIEVE FRAME .....	120 - 68
4G24	SHEAVES, FEEDER HOUSE, UPPER COUNTERSHAFT, VARIABLE DRIVE .....	110 - 42	5G12	SINGLE RANGE CYLINDER DRIVE .....	121 - 35
3J7	SHEET AND DOOR, L.H. FRONT CORNER .....	80 - 48	3G1	SIX STACK SOLENOID CONTROL VALVE MODULE ASSEMBLY & MOUNTINGS (660401- ) .....	70 - 72
3J3	SHEET, FRONT CORNER, R.H. ....	80 - 44	3B19	SLAVE CYLINDER, BRAKE .....	60 - 12
3J5	SHEET, REAR CORNER, L.H. ....	80 - 46	4G22	SLIP CLUTCH, FEEDER HOUSE .....	110 - 40
4G5	SHELL, FEEDER HOUSE-CONTOUR MASTER (660401- ) .....	110 - 22	5G11	SLOW SPEED CYLINDER DRIVE .....	121 - 34
3H15	SHELL, SEALS, RADIATOR .....	80 - 8	1F10	SOLEDENID, ETHER START (655615- ) .....	30 - 10
3I21	SHIELD, DRIVE, R.H. REAR .....	80 - 38	3F11	SOLENOID CONTROL RELIEF VALVE MODULE .....	70 - 54
1D1	SHIELD, EXHAUST VALVE (6076) .....	26 - 24	3F21	SOLENOID CONTROL VALVE - CONTOUR MASTER (660401- ) .....	70 - 66
4H15	SHIELD, INTAKE .....	110 - 58	3F25	SOLENOID CONTROL VALVE BRACKETS .....	70 - 70
3I23	SHIELD, R.H. SERVICE ACCESS .....	80 - 40	3F16	SOLENOID CONTROL VALVE DOUBLE PILOTED MODULE, AUGER SWING .....	70 - 60
6E14	SHIELD, REAR TAILINGS LEFT SIDE .....	125 - 82	3F19	SOLENOID CONTROL VALVE FOR REEL FORE/AFT (650401- ) .....	70 - 64
3J1	SHIELD, SERVICE ACCESS, L.H. ....	80 - 42	3F14	SOLENOID CONTROL VALVE FOR REEL LIFT/ VARIABLE AND CYLINDER SPEED .....	70 - 58
6E12	SHIELD, TAILINGS UPPER REAR .....	125 - 80	3F23	SOLENOID CONTROL VALVE MODULE ASSEMBLY AND MOUNTINGS .....	70 - 68
3C14	SHIELD, TRASH, REAR AXLE .....	60 - 31	3G1	SOLENOID CONTROL VALVE MODULE, 6 STACK ASSEMBLY & MOUNTINGS (660401- ) .....	70 - 72
6E8	SHIELD, UPPER TAILINGS AUGER DRIVE .....	125 - 76	3F12	SOLENOID CONTROL VALVE UNBALANCED LOAD MODULE (HEADER LIFT MODULE) .....	70 - 56
6E10	SHIELD, UPPER TAILINGS AUGER DRIVE .....	125 - 78	3F17	SOLENOID CONTROL VALVE, AUGER SWING .....	70 - 61
6C22	SHIELDS AND HANDLES, CHAFF SPREADER (DUAL MOTOR) (650401- ) .....	125 - 40	3H5	SOLENOID CONTROL VALVE, ENGINE GEARCASE, PRESSURE REGULATOR .....	70 - 100
3I17	SHIELDS, AUGER DRIVE (R-H SIDE) .....	80 - 34	1E21	SOLENOID SWITCH, STARTER (6076) .....	26 - 74
5D3	SHIELDS, CLEANING FAN INTAKE .....	120 - 46	2I10	SOLENOID, CONTROL VALVE .....	50 - 56
4F23	SHIELDS, CONTOURMASTER FEEDER HOUSE (660401-660432) .....	110 - 16	6H13	SOLENOID, MAIN VALVE BLOCK DIAL-A-MATIC HEADER HEIGHT CONTROL .....	160 - 3
4G1	SHIELDS, CONTOURMASTER FEEDER HOUSE (661186- ) .....	110 - 18	1E5	SOLENOID, SHUT-OFF HOUSING (RB) (6076HH030, HH034) (LATE DESIGN) .....	26 - 58
2H7	SHIELDS, FINAL DRIVE SHAFT .....	50 - 28	1E19	SOLENOID, STARTER (12V F4) .....	26 - 72
6C20	SHIELDS, HANDLES AND FRAME, CHAFF SPREADER (BELT TYPE) ( -650400) .....	125 - 38	3E15	SOLENOID, VALVE BLOCK, DIAL-A-MATIC, HEADER HEIGHT CONTROL .....	70 - 34
2I11	SHIELDS, MUD .....	50 - 57	4B12	SOUND DEADENING, FOAM AND SEALS, CAB .....	90 - 4
3J9	SHIELDS, MUD (R.H. SIDE) .....	80 - 50	2G9	SPACERS, AXLE .....	50 - 5
3I19	SHIELDS, MUD AND FAN DRIVE (L.H. SIDE) .....	80 - 36	2C17	SPEAKERS, ANTENNA AND RADIO .....	40 - 32
5E10	SHIELDS, REAR MODULE .....	120 - 78	5H9	SPEED CONTROL LINKAGE, FAN DRIVE ( -655400) .....	121 - 56
3I13	SHIELDS, SIDE, SEPARATOR DRIVE .....	80 - 30	5H11	SPEED CONTROL LINKAGE, FAN DRIVE (655401- ) .....	121 - 58
6F20	SHIELDS, UPPER CLEAN GRAIN ELEVATOR .....	130 - 24	5H13	SPEED CONTROL, FAN DRIVE SHEAVE LINKAGE ....	121 - 60
2G24	SHIFTER CAM, TRANSMISSION AND DIFFERENTIAL .....	50 - 20	5C1	SPIKE TOOTH CONCAVE .....	120 - 18
2G10	SHIFTER FORKS .....	50 - 6	5B22	SPIKE TOOTH THRESHING CYLINDER .....	120 - 14
1C18	SHIM, LINER (6076) .....	26 - 15			

## ALPHABETICAL INDEX - CONTINUED

GRID		PAGE	GRID		PAGE
5B24	SPIKE-TOOTH CONCAVE .....	120 - 16	6C6	STRAW SPREADER .....	125 - 24
3C18	SPINDLE HOUSING, REAR AXLE .....	60 - 35	6C14	STRAW SPREADER DOOR .....	125 - 32
3C23	SPINDLES, REAR AXLE .....	60 - 40	6C8	STRAW SPREADER DRIVES .....	125 - 26
6C10	SPREADER CURTAIN, UPPER .....	125 - 28	6C12	STRAW SPREADER FRAME AND LOWER CURTAIN..	125 - 30
6C12	SPREADER FRAME, STRAW AND LOWER CURTAIN	125 - 30	5C7	STRIPPER BEATER .....	120 - 24
3D14	SPREADER MOTOR, CHAFF (EATON) (655929- ) .....	70 - 9	5C5	STRIPPER BEATER DRIVE IDLER .....	120 - 22
6C6	SPREADER, STRAW .....	125 - 24	2F1	STUBBLE HEIGHT SENSOR (EXPORT ONLY) .....	40 - 89
6H20	SPREADER, STRAW, BELTS .....	170 - 4	2F22	SUPPLEMENTARY TERMINALS AND CONNECTORS	40 - 110
6F7	SPROCKET, SHEAVE AND SHAFT, UPPER CLEAN GRAIN ELEVATOR .....	130 - 10	4B22	SUPPORT AND FRAME, CAB .....	90 - 14
6D25	SPROCKETS, BEARINGS AND CHAIN, TAILINGS ELEVATOR CONVEYOR .....	125 - 68	3B20	SUPPORT BRACKET, BRAKE CABLE (645510- ) .....	60 - 13
1C22	STARTER GEAR (6076) .....	26 - 19	6D3	SUPPORT, MOUNTING, CHAFF SPREADER .....	125 - 46
1E19	STARTER SOLENOID (12V F4) .....	26 - 72	3C15	SUPPORT, REAR AXLE .....	60 - 32
1E18	STARTER SOLENOID COVER (DENSO) .....	26 - 71	3I7	SUPPORTS AND MOUNTING TRACKS, MODULE .....	80 - 24
1E21	STARTER SOLENOID SWITCH (6076) .....	26 - 74	4B24	SUPPORTS AND ROOF, CAB .....	90 - 16
1F8	STARTING AID, COLD WEATHER ( -655614) .....	30 - 8	5G9	SUPPORTS AND VARIABLE SHEAVE, PRIMARY COUNTERSHAFT .....	121 - 32
1F10	STARTING AID, COLD WEATHER (655615- ) .....	30 - 10	1F2	SUPPORTS, FUEL TANK .....	30 - 2
1D25	STARTING FITTINGS, ETHER (6076) .....	26 - 53	4G24	SUPPORTS, UPPER COUNTERSHAFT, FEEDER HOUSE, VARIABLE DRIVE .....	110 - 42
1E18	STARTING MOTOR (DENSO) (12V F4) .....	26 - 71	2H9	SWASHPLATE, HYDROSTATIC DRIVE PUMP .....	50 - 30
2I6	STEERING ARM .....	50 - 52	1E19	SWITCH (DENSO) (12V F4) .....	26 - 72
3C3	STEERING COLUMN (LOWER) .....	60 - 20	6G13	SWITCH AND HUB SUPPORT, HORIZONTAL UNLOADING AUGER .....	130 - 42
3C1	STEERING COLUMN (UPPER) .....	60 - 18	2C9	SWITCH, AIR CONDITIONER .....	40 - 24
4E2	STEERING COLUMN (UPPER) .....	90 - 70	2B14	SWITCH, AUX FIELD LIGHTS, OPTIONAL .....	40 - 4
2C1	STEERING COLUMN WIRING HARNESS (646237-) .....	40 - 16	2C9	SWITCH, HEATER .....	40 - 24
4E4	STEERING COLUMN, LOWER .....	90 - 72	6G14	SWITCH, HORIZONTAL UNLOADING AUGER .....	130 - 43
3C13	STEERING CYLINDER (4-WHEEL DRIVE) .....	60 - 30	2G12	SWITCH, HYDROSTATIC DRIVE LEVER AND CABL E .....	50 - 8
3C5	STEERING HOSES AND LINES, FRONT .....	60 - 22	2D12	SWITCH, INLET AIR TEMPURTURE .....	40 - 51
3B23	STEERING HOSES, UPPER .....	60 - 16	2E4	SWITCH, LIGHT, SHOE ADJUSTING .....	40 - 67
3C11	STEERING LINES AND HOSES, REAR .....	60 - 28	2D5	SWITCH, LIMIT, GRAIN TANK .....	40 - 44
3C7	STEERING LINES, L.H. .....	60 - 24	1E21	SWITCH, STARTER SOLENOID (6076) .....	26 - 74
3C9	STEERING LINES, R.H. SIDE .....	60 - 26	2D17	SWITCH, WARNING ENGINE PLUGGED AIR FILTER .....	40 - 56
3B21	STEERING PUMP .....	60 - 14	6G11	SWIVEL SUPPORT AND BRACES, AUGER .....	130 - 40
3C19	STEERING TIE RODS, ADJUSTABLE REAR AXLE .....	60 - 36	6G9	SWIVEL, HORIZONTAL UNLOADING AUGER .....	130 - 38
3C21	STEERING TIE RODS, FIXED REAR AXLE GRAIN (655542- ) .....	60 - 38	T		
3C20	STEERING TIE RODS, FIXED REAR AXLE, 4-WHEEL DRIVE - GRAIN (655542- ) .....	60 - 37	2B16	TACHOMETER .....	40 - 6
3H23	STEP AND PLATFORM, ENGINE ACCESS .....	80 - 16	4C17	TACHOMETER .....	90 - 34
5B10	STONE TRAP, DOOR AND SEAL, SEPARATOR/ FEEDER HOUSE .....	120 - 2	2B19	TAIL LIGHTS .....	40 - 9
3I9	STOP AND REAR HOOD ACCESS DOOR .....	80 - 26	6E1	TAILINGS DRIVE BRACKET AND LOWER TROUGH SUPPORT .....	125 - 69
1E23	STRAP, ALTERNATOR ADJUSTING .....	26 - 76	6D25	TAILINGS ELEVATOR CONVEYOR CHAIN, SPROCKETS AND BEARINGS .....	125 - 68
1E23	STRAP, ALTERNATOR SUPPORT .....	26 - 76	6D23	TAILINGS ELEVATOR HOUSING .....	125 - 66
1D5	STRAPS, ENGINE LIFT .....	26 - 28	6E14	TAILINGS SHIELD, REAR LEFT SIDE .....	125 - 82
6H20	STRAW CHOPPER BELTS .....	170 - 4	6E12	TAILINGS SHIELD, UPPER REAR .....	125 - 80
6B10	STRAW CHOPPER DECK, SUPPORTS AND FINS .....	125 - 2	3I11	TAILLIGHT WIRING HARNESS .....	80 - 28
5H19	STRAW CHOPPER DRIVES .....	121 - 66	6F24	TANK BASE, GRAIN .....	130 - 28
6B22	STRAW CHOPPER HOUSING AND KNIFEBANK .....	125 - 14	6H1	TANK CROSS AUGERS, GRAIN .....	130 - 54
6B24	STRAW CHOPPER HOUSING AND KNIFEBANK .....	125 - 16	1F6	TANK FUEL LINES AND FITTINGS .....	30 - 6
6C3	STRAW CHOPPER LOWER DOOR .....	125 - 20	1F18	TANK, COOLANT RECOVERY .....	30 - 18
6B18	STRAW CHOPPER ROTOR, FINE CUT (PADDLED NARROW (670401- ) .....	125 - 10	1F2	TANK, FUEL .....	30 - 2
6B16	STRAW CHOPPER ROTOR, FINE CUT (STRAIGHT NARROW (670401- ) .....	125 - 8	6H7	TANK, GRAIN, SAMPLING TROUGH .....	130 - 62
6C1	STRAW CHOPPER UPPER REAR DOOR .....	125 - 18	6F22	TANK, GRAIN, TOP .....	130 - 26
6B20	STRAW CHOPPER, ROTOR AND SHEAVE .....	125 - 12	2B16	TEMPERATURE GAUGE, ENGINE .....	40 - 6
6B12	STRAW CHOPPER, TRI ROTOR ( -655400) .....	125 - 4	4C17	TEMPERATURE GAUGE, ENGINE .....	90 - 34
6B14	STRAW CHOPPER, TRI ROTOR (655401- ) .....	125 - 6	1E5	TEMPERATURE SENSOR (6076HH030, HH034) (ROBERT BOSCH)(LATE DESIGN) .....	26 - 58
5F15	STRAW CHOPPER, UNLOADING DRIVE AND SEPARATOR DRIVE GEAR, ENGINE GEARCASE ..	121 - 14	2F20	TERMINAL AND WIRING KIT .....	40 - 108
			2F22	TERMINALS AND CONNECTORS, SUPPLEMENTARY	40 - 110

## ALPHABETICAL INDEX - CONTINUED

GRID		PAGE	GRID		PAGE
1E13	TERMINALS, ELECTRICAL, WEATHERPACK (6076) .....	26 - 66	1D20	TURBOCHARGER GASKET .....	26 - 48
2F14	TERMINALS, WEATHERPACK .....	40 - 102	1D20	TURBOCHARGER OIL LINES (ESN 500000- ) .....	26 - 48
1D15	THERMOSTAT HOUSING, FRONT .....	26 - 42	2B19	TURN LIGHTS .....	40 - 9
5B9	THRESHING CYLINDER COVER .....	120 - 1			
5B18	THRESHING CYLINDER, RASP BAR .....	120 - 10		<b>U</b>	
5B22	THRESHING CYLINDER, SPIKE TOOTH .....	120 - 14			
1C20	THRUST BEARING (6076) .....	26 - 17	1C17	UNDERHAUL KIT, ENGINE (STD BRGS) (6076) .....	26 - 14
3C19	TIE RODS, STEERING, ADJUSTABLE REAR AXLE ....	60 - 36	5F13	UNLOADING AND SEPARATOR DRIVE GEAR, ENGINE GEARCASE .....	121 - 12
3C21	TIE RODS, STEERING, FIXED REAR AXLE GRAIN (655542- ) .....	60 - 38	6H20	UNLOADING AUGER BELTS .....	170 - 4
3C20	TIE RODS, STEERING, 4-WHEEL DRIVE FIXED REAR AXLE - GRAIN (655542- ) .....	60 - 37	6H4	UNLOADING AUGER COUNTERSHAFT DRIVE .....	130 - 58
6D19	TIGHTENER AND SHAFT, LOWER TAILINGS AUGER .....	125 - 62	6H6	UNLOADING AUGER DRIVE BELT GUIDE .....	130 - 60
5G17	TIGHTENER, CYLINDER DRIVE, DUAL-RANGE .....	121 - 40	6G20	UNLOADING AUGER HOUSING, HORIZONTAL (EXPORT) (17 AND 20 FT.) .....	130 - 49A
6E3	TIGHTENER, DRIVE CHAIN, UPPER TAILINGS .....	125 - 71	6G16	UNLOADING AUGER HOUSING, HORIZONTAL (14- AND 17-FT.) .....	130 - 46
4F17	TIGHTENER, DRIVE, VARIABLE SPEED .....	110 - 10	6G18	UNLOADING AUGER HOUSING, HORIZONTAL (17- AND 20-FT.) .....	130 - 48
5H15	TIGHTENER, FEEDER HOUSE DRIVE .....	121 - 62	2D21	UNLOADING AUGER LIGHT, GRAIN TANK .....	40 - 60
4G18	TIGHTENER, GUIDES AND FEEDER CONVEYOR DRIVE CHAIN .....	110 - 36	6H9	UNLOADING AUGER LUBE BANK .....	130 - 64
4H9	TIGHTENER, GUIDES AND FEEDER CONVEYOR DRIVE CHAIN-RETROFIT INSTALLATION .....	110 - 52	2D7	UNLOADING AUGER SENSOR AND WIRING HARNES (660401- ) .....	40 - 46
4G7	TILT BEAM, FEEDER HOUSE, CONTOUR MASTER (660401- ) .....	110 - 24	3G11	UNLOADING AUGER SWING CYLINDER AND MOUNTING .....	70 - 82
3G17	TILT CYLINDER - CONTOUR MASTER (660401- ) .....	70 - 88	3G13	UNLOADING AUGER SWING CYLINDER AND MOUNTING (650401-655551) .....	70 - 84
3G19	TILT CYLINDER HOSES AND FITTINGS - CONTOUR MASTER (660401- ) .....	70 - 90	3G15	UNLOADING AUGER SWING HYDRAULIC CYLINDER (655552- ) .....	70 - 86
1C23	TIMING GEAR COVER (6076) .....	26 - 20	3G7	UNLOADING AUGER SWING HYDRAULIC CYLINDER LINES AND HOSES .....	70 - 78
1C23	TIMING GEAR COVER GASKET (6076) .....	26 - 20	3G15	UNLOADING AUGER SWING HYDRAULIC MOUNTING (655552- ) .....	70 - 86
3H9	TINE SEPARATOR MODULE RAILS .....	80 - 2	3G9	UNLOADING DRIVE CYLINDER, GRAIN TANK .....	70 - 80
5E20	TINE SEPARATORS, MODULE .....	120 - 88	5F15	UNLOADING DRIVE, STRAW CHOPPER AND SEPARATOR DRIVE GEAR, ENGINE GEARCASE ..	121 - 14
4C7	TOOL BOX (660401- ) .....	90 - 24	6H21	UNLOADING SYSTEM BELTS .....	170 - 5
6J16	TOP DECALS .....	170 - 50	6F5	UPPER CLEAN GRAIN ELEVATOR .....	130 - 8
1C5	TORQ-GARD ENGINE OIL .....	26 - 1	6F7	UPPER CLEAN GRAIN ELEVATOR SHAFT, SPROCKET AND SHEAVE .....	130 - 10
4C23	TRAINING SEAT .....	90 - 40	6F20	UPPER CLEAN GRAIN ELEVATOR SHIELDS .....	130 - 24
1E8	TRANSFER PUMP, FUEL (ROBERT BOSCH) (6076HH030, HH034) .....	26 - 61	6F9	UPPER CLEAN GRAIN LOADING AUGER HOUSING ..	130 - 12
6F9	TRANSITION AUGER HOUSING .....	130 - 12	6F11	UPPER CLEAN GRAIN LOADING AUGER HOUSING (660401- ) .....	130 - 14
2G11	TRANSMISSION (655429- ) .....	50 - 7	4H3	UPPER DRIVE SHAFT FIXED SPEED WITH REVERSER .....	110 - 46
2G24	TRANSMISSION AND DIFFERENTIAL HOUSING COVER AND SHIFTER CAM .....	50 - 20	2E13	UPPER HARNESS CONNECTORS FOR 6076 ENGINE	40 - 76
2G10	TRANSMISSION AND DIFFERENTIAL HOUSING AND SHIFTER FORKS .....	50 - 6	2D13	UPPER HARNESS FOR 6076 ENGINE .....	40 - 52
2G18	TRANSMISSION INPUT SHAFT, GEARS, LUBE PUMP AND BEARINGS .....	50 - 14	2I24	UPPER HYDROSTATIC DRIVE HOSES (FOUR WHEEL DRIVE)(655401- ) .....	50 - 70
2G20	TRANSMISSION PINION SHAFT, GEARS AND BEARINGS .....	50 - 16	6C1	UPPER REAR DOOR, STRAW CHOPPER .....	125 - 18
2F8	TRANSPORT WARNING LIGHTS .....	40 - 96	6E12	UPPER REAR TAILINGS SHIELD .....	125 - 80
3C14	TRASH SHIELD, REAR AXLE .....	60 - 31	3E13	UPPER RETURN LINES AND HOSES, HYDRAULIC RESERVOIR .....	70 - 32
6B12	TRI ROTOR STRAW CHOPPER ( -655400) .....	125 - 4	4G12	UPPER SHAFT, FEEDER HOUSE .....	110 - 30
6B14	TRI ROTOR STRAW CHOPPER (655401- ) .....	125 - 6	6C10	UPPER SPREADER CURTAIN .....	125 - 28
4B16	TRIM PANELS, CAB INTERIOR .....	90 - 8	3C1	UPPER STEERING COLUMN .....	60 - 18
6E1	TROUGH SUPPORT, LOWER AND TAILINGS DRIVE BRACKET .....	125 - 69	4E2	UPPER STEERING COLUMN .....	90 - 70
6H7	TROUGH, GRAIN TANKSAMPLING .....	130 - 62	6H21	UPPER TAILINGS AUGER BELT .....	170 - 5
6D21	TROUGH, LOWER TAILINGS AUGER .....	125 - 64	6E8	UPPER TAILINGS AUGER DRIVE .....	125 - 76
1C25	TUBE, ENGINE OIL DIPSTICK (6076) .....	26 - 22	6E10	UPPER TAILINGS AUGER DRIVE .....	125 - 78
1F12	TUBES, AIR CLEANER AND INTAKE .....	30 - 12	6E6	UPPER TAILINGS AUGER HOUSING AND PADDLE ASSEMBLY .....	125 - 74
1D20	TURBOCHARGER (ESN 500000- ) .....	26 - 48	6E8	UPPER TAILINGS AUGER, DRIVE AND SHIELD .....	125 - 76
1D22	TURBOCHARGER CENTER HOUSING (AIRESEARCH)	26 - 50	6E10	UPPER TAILINGS AUGER, DRIVE AND SHIELD .....	125 - 78
1D23	TURBOCHARGER CENTER HOUSING (SCHWITZER)	26 - 51			

## ALPHABETICAL INDEX - CONTINUED

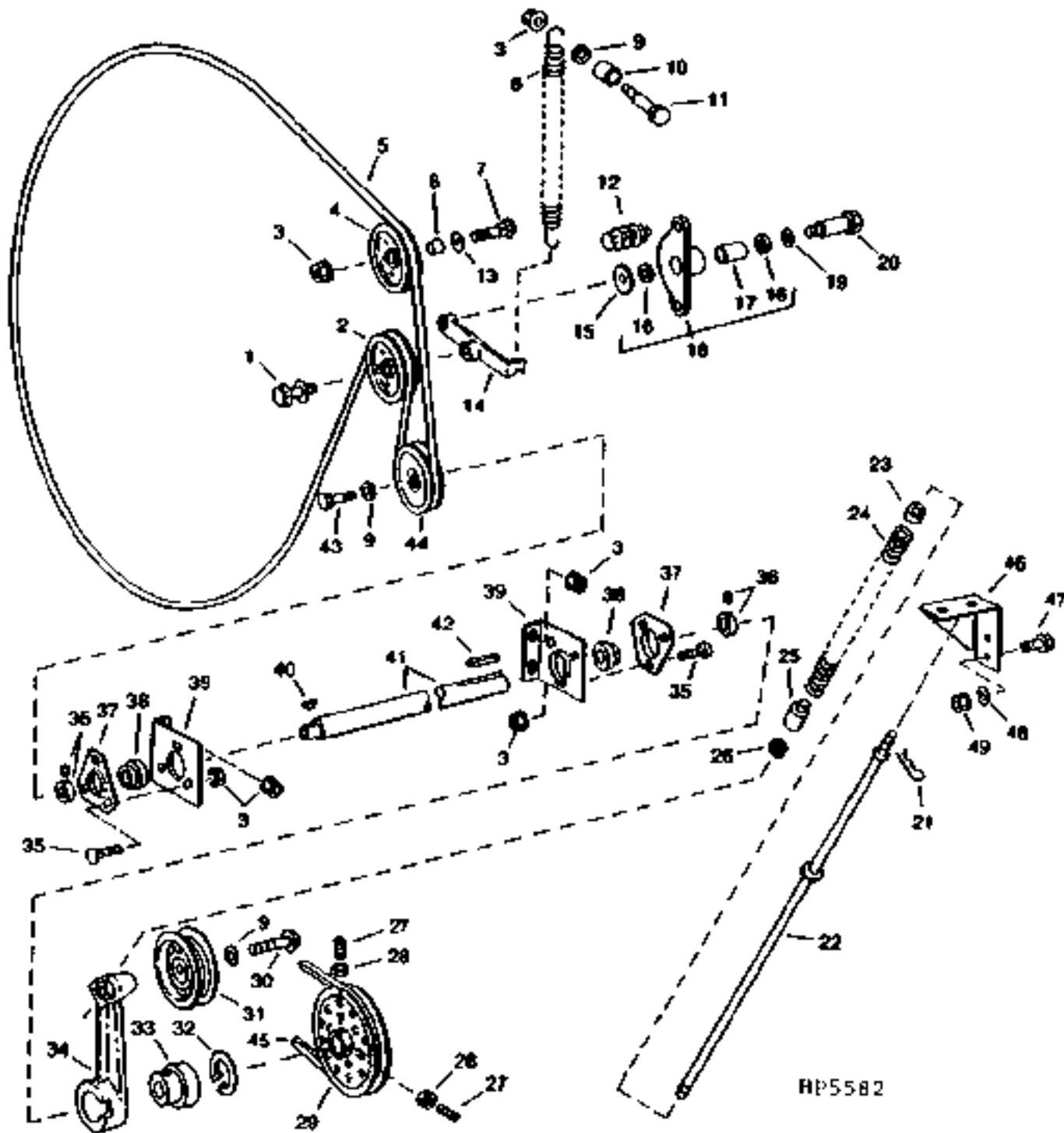
GRID		PAGE	GRID		PAGE
6E3	UPPER TAILINGS DRIVE CHAIN TIGHTENER.....	125 - 71	1D12	WATER PUMP GASKET .....	26 - 38
2I22	UPPER, HYDROSTATIC DRIVE OIL HOSES ( -655400) .....	50 - 68	1D12	WATER PUMP IMPELLER .....	26 - 38
	V		1D14	WATER PUMP REPAIR KIT (6076) .....	26 - 40
6H12	VALVE BLOCK AND HYDRAULIC LINE, DIAL-A-MATIC HEADER HEIGHT CONTROL .....	160 - 2	1D12	WATER PUMP SEAL .....	26 - 38
3E15	VALVE BLOCK SOLENOID, DIAL-A-MATIC, HEADER HEIGHT CONTROL .....	70 - 34	1F4	WATER SEPARATOR .....	30 - 4
3G1	VALVE MODULE, SIX STACK SOLENOID CONTROL ASSEMBLY & MOUNTINGS (660401- ) .....	70 - 72	4G5	WEAR PLATES, FEEDER HOUSE - CONTOUR MASTER (660401- ) .....	110 - 22
1D1	VALVE SEAT INSERTS (6076) .....	26 - 24	1E13	WEATHERPACK CONNECTORS (6076) .....	26 - 66
3F16	VALVE, AUGER SWING, DOUBLE PILOTED, SOLENOID CONTROL VALVE .....	70 - 60	2F14	WEATHERPACK CONNECTORS AND TERMINALS ....	40 - 102
2I8	VALVE, CONTROL ( -655400) .....	50 - 54	1E13	WEATHERPACK TERMINALS (6076) .....	26 - 66
2I9	VALVE, CONTROL (655401- ) .....	50 - 55	2F14	WEATHERPACK TERMINALS AND CONNECTORS ....	40 - 102
2I10	VALVE, CONTROL, SOLENOID .....	50 - 56	1D12	WEEP HOLE FILTER (WATER PUMP) .....	26 - 38
1E11	VALVE, FUEL CHECK (6076HH030, HH034) .....	26 - 64	3D1	WEIGHTS, WHEELS, REAR .....	60 - 42
2H14	VALVE, HYDROSTATIC MOTOR .....	50 - 35	3G21	WET CLUTCH OIL COOLER LINES AND HOSES ( -665400) .....	70 - 92
1D9	VALVE, OIL FILTER BYPASS.....	26 - 34	3G23	WET CLUTCH OIL COOLER LINES AND HOSES (665401- ) .....	70 - 94
1D11	VALVE, OIL PAN DRAIN .....	26 - 36	2G6	WHEEL, HIGH FLOATATION DRIVE PLANETARY FINAL DRIVE .....	50 - 2
1D9	VALVE, OIL PRESSURE REGULATING .....	26 - 34	2G5	WHEELS, DRIVE .....	50 - 1
6D11	VALVE, PUMP, LINES AND HOSES, CHAFF SPREADER .....	125 - 54	2G7	WHEELS, DUAL, WIDE-SPACED.....	50 - 3
3D11	VALVE, REEL DRIVE FLOW CONTROL .....	70 - 6	3C22	WHEELS, REAR .....	60 - 39
3F21	VALVE, SOLENOID CONTROL - CONTOUR MASTER (660401- ) .....	70 - 66	3D1	WHEELS, REAR AND WHEEL WEIGHTS .....	60 - 42
3F23	VALVE, SOLENOID CONTROL MODULE ASSEMBLY AND MOUNTINGS .....	70 - 68	2G7	WIDE-SPACED DUAL WHEELS.....	50 - 3
3F11	VALVE, SOLENOID CONTROL RELIEF - CONTOUR MASTER .....	70 - 54	3I15	WINDROW ATTACHMENT (660714- ) .....	80 - 32
3F12	VALVE, SOLENOID CONTROL, HEADER LIFT MODULE .....	70 - 56	2C15	WINDSHIELD WASHER .....	40 - 30
3F14	VALVE, SOLENOID CONTROL, REEL LIFT/ VARIABLE AND CYLINDER SPEED .....	70 - 58	2C11	WINDSHIELD WIPER (LONG) .....	40 - 26
4E17	VALVES, COMPRESSOR SERVICE ( -650400) R-12 .....	90 - 85	2C13	WINDSHIELD WIPER, (SHORT).....	40 - 28
1D1	VALVES, EXHAUST (6076).....	26 - 24	6D1	WINGS, SEALS AND PAN, CHAFF SPREADER (DUAL MOTOR) (650401- ) .....	125 - 44
1D1	VALVES, INTAKE (6076).....	26 - 24	2C11	WIPER, WINDSHIELD (LONG).....	40 - 26
3D15	VARIABLE DRIVE HYDRAULIC HOSE, FEEDER HOUSE.....	70 - 10	2C13	WIPER, WINDSHIELD (SHORT).....	40 - 28
4G24	VARIABLE DRIVE, FEEDER HOUSE, UPPER COUNTERSHAFT .....	110 - 42	2F20	WIRING AND TERMINAL KIT .....	40 - 108
4F15	VARIABLE FRONT SHAFT WITH REVERSER 9400, 9500 COMBINES .....	110 - 8	1E3	WIRING HARNESS (6076HH030) (EARLY DESIGN) .....	26 - 56
5G9	VARIABLE SHEAVE AND SUPPORTS, PRIMARY COUNTERSHAFT .....	121 - 32	1E5	WIRING HARNESS (6076HH030, HH034) (ROBERT BOSCH)(LATE DESIGN) .....	26 - 58
4F17	VARIABLE SPEED DRIVE TIGHTENER .....	110 - 10	2C5	WIRING HARNESS, A/C, HEATER AND AIR SEAT (660401- ) .....	40 - 20
4G24	VARIABLE DRIVE, FEEDER HOUSE, UPPER COUNTERSHAFT SUPPORTS.....	110 - 42	2C3	WIRING HARNESS, AIR CONDITIONER ( -660400) .....	40 - 18
6G5	VERTICAL AUGER LOWER GEAR CASE.....	130 - 34	2B22	WIRING HARNESS, ARMREST .....	40 - 12
6G7	VERTICAL UNLOADING AUGER AND CHARGE HOUSING.....	130 - 36	2B12	WIRING HARNESS, CAB .....	40 - 2
2E1	VOLTAGE REGULATOR, ALTERNATOR - BOSCH .....	40 - 64	2C21	WIRING HARNESS, FRONT, L.H. MAIN .....	40 - 36
	W		2D5	WIRING HARNESS, GRAIN TANK.....	40 - 44
6H18	WALKER BELTS .....	170 - 2	2D9	WIRING HARNESS, HARVESTRAK MONITOR.....	40 - 48
2F8	WARNING LIGHTS, TRANSPORT .....	40 - 96	2C3	WIRING HARNESS, HEATER ( -660400) .....	40 - 18
2C15	WASHER, WINDSHIELD .....	40 - 30	2D1	WIRING HARNESS, L.H. AND R.H. REAR .....	40 - 40
1D15	WATER MANIFOLD GASKET.....	26 - 42	2C23	WIRING HARNESS, L.H. MAIN, CENTER .....	40 - 38
1D15	WATER MANIFOLD, FRONT .....	26 - 42	2C19	WIRING HARNESS, MAIN, L.H. FRONT .....	40 - 34
1D12	WATER PUMP.....	26 - 38	2D1	WIRING HARNESS, MODULE .....	40 - 40
1D12	WATER PUMP BEARING .....	26 - 38	2D3	WIRING HARNESS, R.H. MAIN .....	40 - 42
			2D1	WIRING HARNESS, REAR HOOD .....	40 - 40
			2C1	WIRING HARNESS, STEERING COLUMN (646237-) .....	40 - 16
			3I11	WIRING HARNESS, TAILLIGHT .....	80 - 28
			2D7	WIRING HARNESS, UNLOADING AUGER (660401- ) .....	40 - 46
				Y	
			2I4	YOKE, PIVOTS AND CAPS .....	50 - 50

MEMORANDA

# 1B8

ENGINE FAN, INTERCOOLER AND SCREENS

ROTARY SCREEN DRIVE  
HP5582 -UN-01JAN94





# 1B9

## ENGINE FAN, INTERCOOLER AND SCREENS

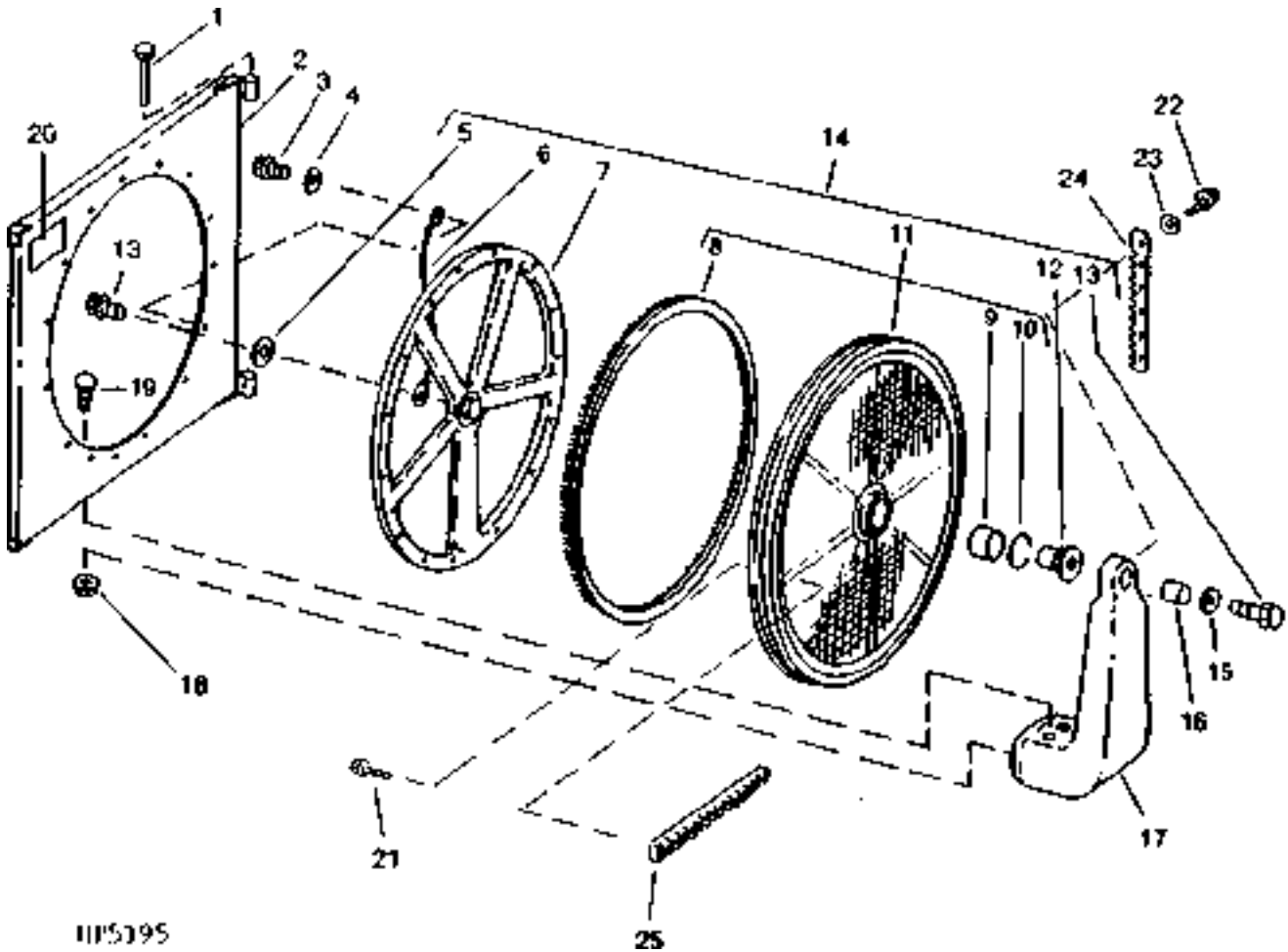
### ROTARY SCREEN DRIVE - CONTINUED

KEY	PART NO.	PART NAME	QTY	SERIAL NO.	REMARKS
1	19M7867	SCREW	1		M8 X 25
	24M7207	WASHER	1		8.400 X 24 X 2 MM
2	AH140119	SHEAVE	1		
3	14M7298	FLANGE NUT	10		M8
4	AH135035	SHEAVE	1		
5	H145158	BELT	1		
6	.....	SPACER	1		
7	03M7224	BOLT	1		M8 X 65
8	H146577	EXTENSION SPRING	1		
9	24M7207	WASHER	3		8.400 X 24 X 2 MM
10	28H1720	BUSHING	1		
11	H140715	BOLT	1		
12	19M7867	SCREW	2		M8 X 25
	24H1296	WASHER	2		11/32" X 1-3/8" X 0.134"
	14M7298	FLANGE NUT	2		M8
13	24H1850	WASHER	1		17/32" X 1-1/4" X 0.180"
14	H146064	PITMAN ARM	1		
15	24H1342	WASHER	1		17/32" X 1-1/4" X 0.036"
16	AH10888	SEAL	2		
17	R36119	BUSHING	1		
18	AH140170	SUPPORT	1		
19	24H1341	WASHER	1		17/32" X 15/16" X 0.060"
20	M111701	BOLT	1		M8 X 51
21	J16931	SPRING LOCKING PIN	1		
22	H131949	ROD	1		
23	H123918	SPACER	1		
24	H131948	SPRING	1		
25	H134214	GUIDE	1		
26	14M7296	FLANGE NUT	1		M10
27	A50744	BOLT	2		M8 X 25
28	14M7273	NUT	2		M8
29	AH115639	SHEAVE	1		
30	19M7868	SCREW	1		M8 X 30
31	AH140497	SHEAVE	1		
32	R55408	WEAR RING	1		
33	AH140495	BALL BEARING	1		
34	H146586	ARM	1		
35	03M7183	BOLT	6	-665400	M8 X 16
	19M7865	SCREW	6	665401-	M8 X 16
36	AZ10044	ECCENTRIC LOCKING COLLAR	2		
37	H103264	PRESSED FLANGED HOUSING	2		
38	JD39102	BALL BEARING	2		
39	H123652	PRESSED FLANGED HOUSING	2		
40	26M7002	SHAFT KEY	1		WOODRUFF
41	H134528	COUNTERSHAFT	1		
42	49M4100	SHAFT KEY	1		6 X 25 MM
43	19M7865	SCREW	1		M8 X 16
44	H118719	HALF SHEAVE	2		
45	H146636	BELT	1		
46	H146680	BRACKET	1	655400-	
47	19M7865	SCREW	2	655400-	M8 X 16
48	24M7207	WASHER	2	655400-	8.400 X 24 X 2 MM
49	14M7298	FLANGE NUT	2	655400-	M8

# 1B10

ENGINE FAN, INTERCOOLER AND SCREENS

ROTARY SCREEN DOOR AND SCREEN  
HP5195 -UN-01JAN94



# 1B11

## ENGINE FAN, INTERCOOLER AND SCREENS

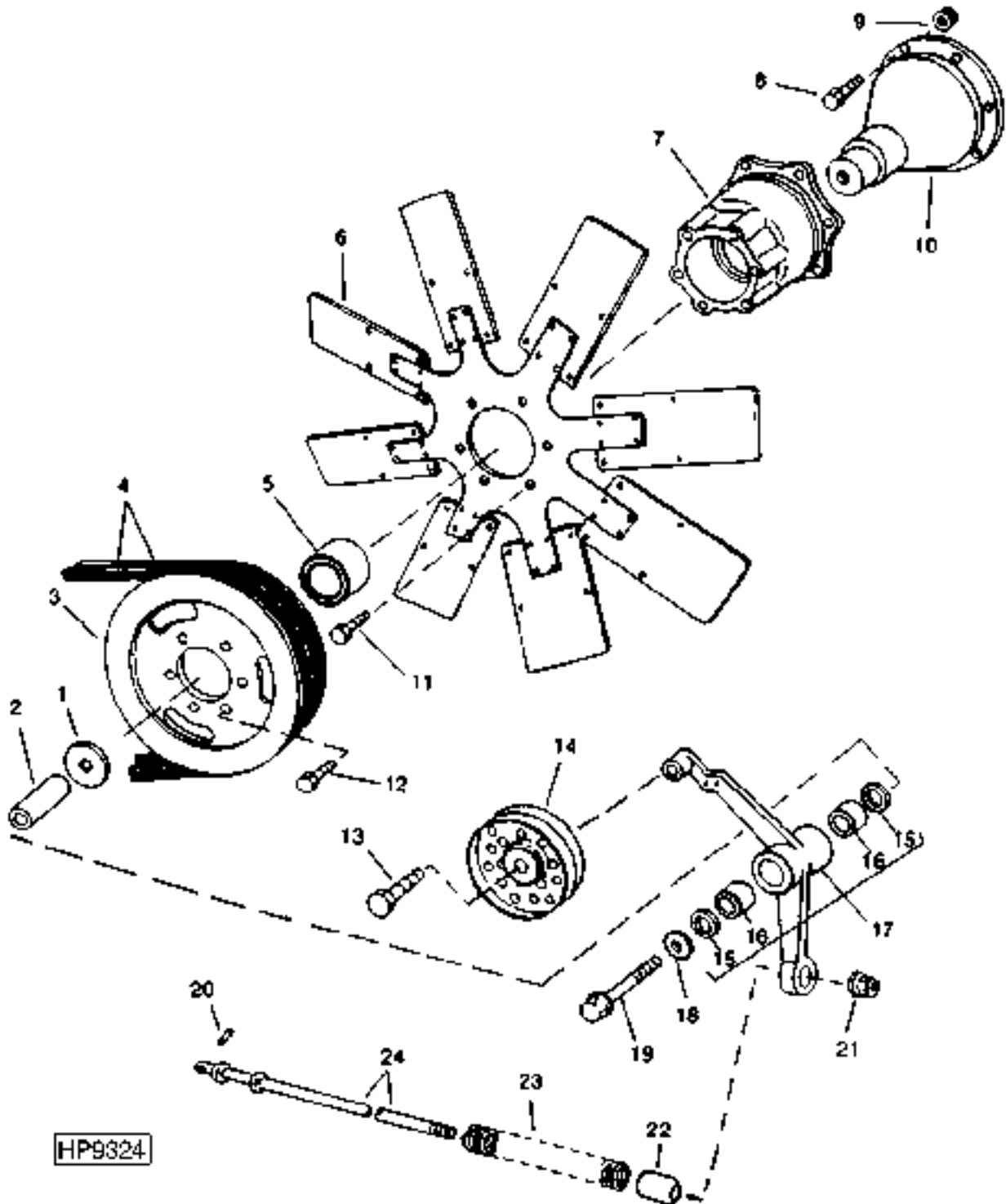
### ROTARY SCREEN DOOR AND SCREEN - CONTINUED

KEY	PART NO.	PART NAME	QTY	SERIAL NO.	REMARKS
1	H114818	PIN	2		
2	AH140118	SHEET	1		
3	19M7865	SCREW	15		M8 X 16
4	12M7122	LOCK WASHER	1		8.400 MM
5	24M7207	WASHER	1		8.400 X 24 X 2 MM
6	AH138257	WIRING LEAD	1		
7	AH134642	HUB	1		
8	AH141849	BRUSH	1		
9	AH109788	ROLLER BEARING	1		
10	H83285	SNAP RING	1		
11	AH141671	SCREEN	1		(SUB FOR AH134643)
12	H140380	HUB	1		
13	19M8162	CAP SCREW	2		M10 X 40
14	AH141672	SCREEN	1		(SUB FOR AH134646)
15	24M7178	WASHER	1	-650400	10.500 X 30 X 2.500 MM
	24M7180	WASHER	1	650401-	13 X 37 X 3 MM
16	28H1720	BUSHING	1		0.423" X 0.675" X 27/32"
17	H143562	AIR DUCT	1	-650400	
	AH141808	AIR DUCT	1	650401-	
18	14M7298	FLANGE NUT	2		M8
19	03M7183	BOLT	2		M8 X 16
20	H144692	LABEL	1		
21	37H143	SCREW	16	650401-	
22	19M7774	SCREW	6	650401-	M6 X 12
23	24M7207	WASHER	6	650401-	8.400 X 24 X 2 MM
24	H148416	KNIFE	1	650401-	
25	AH142527	RAKE	1	650401-	

# 1B12

ENGINE FAN, INTERCOOLER AND SCREENS

ENGINE FAN AND DRIVES  
HP9324 -UN-17NOV99



HP9324

# 1B13

## ENGINE FAN, INTERCOOLER AND SCREENS

### ENGINE FAN AND DRIVES - CONTINUED

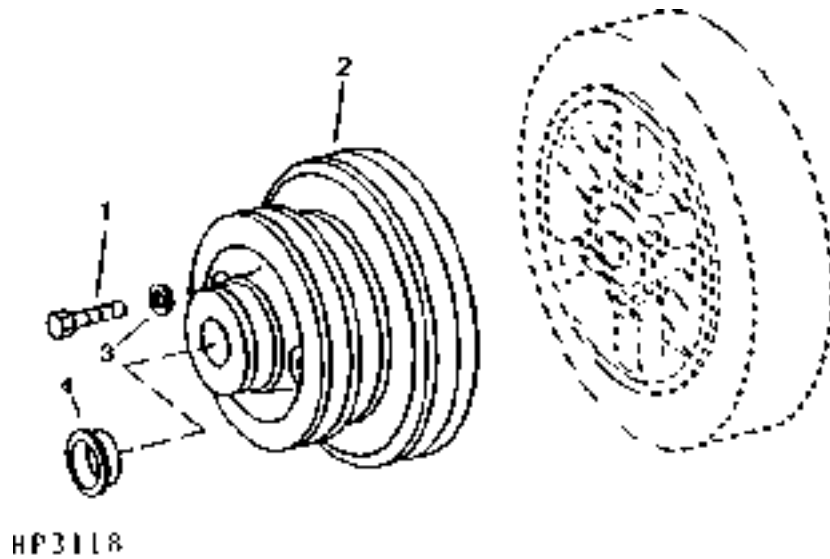
KEY	PART NO.	PART NAME	QTY	SERIAL NO.	REMARKS
1	H125466	WASHER	1		
2	H125467	BUSHING	1		
3	H146750	IDLER	1		
4	H153297	BELT	1		(SUB FOR AH140623)
5	AH120815	ROLLER BEARING	1		(SUB FOR AH146634)
6	AH125673	SUCTION FAN	1		
7	H134143	HUB	1		
8	19M7786	SCREW	4		M10 X 30
9	14M7400	LOCK NUT	4		M10
10	H134144	SUPPORT	1		(SUB FOR H152317)
11	19M7866	SCREW	6		M8 X 20
12	19M7867	SCREW	6		M8 X 25
13	19M8306	SCREW	1		M12 X 50
14	AH96292	SHEAVE	1		
15	AA5607R	SEAL	2		
16	H99147	BUSHING	2		(SUB H171061)
	H171061	BEARING	2		
17	AH137704	ARM	1		
18	24M7180	WASHER	1		13 X 37 X 3 MM
19	H140848	SCREW	1		
20	J16931	SPRING LOCKING PIN	1		
21	14M7296	FLANGE NUT	1		M10
22	H134214	GUIDE	1		
23	H131948	SPRING	1		
24	H125471	ROD	1		

# 1B14

ENGINE FAN, INTERCOOLER AND SCREENS

## ENGINE DRIVE

HP3118 -UN-01JAN94

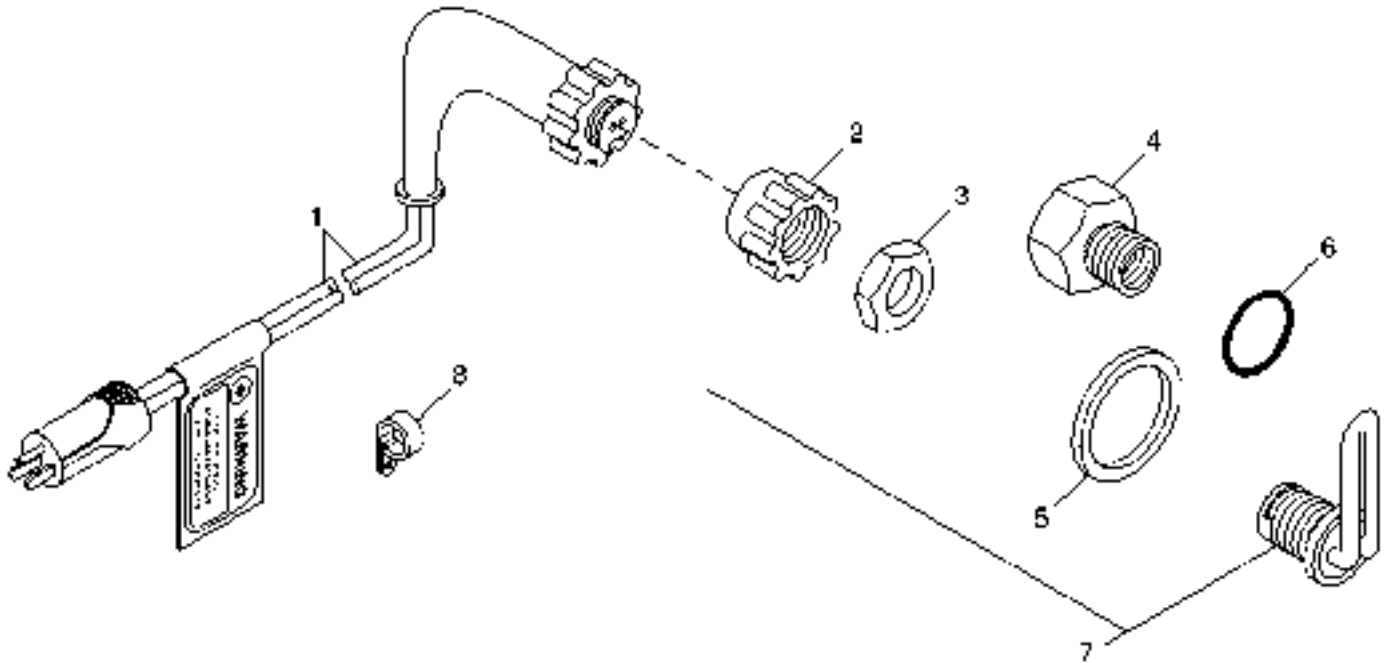


KEY	PART NO.	PART NAME	QTY	SERIAL NO.	REMARKS
1	19H3598	CAP SCREW	6	3/8" X 4-3/4"	
2	H146749	IDLER	1		
3	24M7239	WASHER	6	10.700 X 21 X 2.500 MM	
4	B2984R	PLUG	1		

# 1B15

ENGINE FAN, INTERCOOLER AND SCREENS

**ENGINE COOLANT HEATER**  
HP9346 -UN-22NOV99



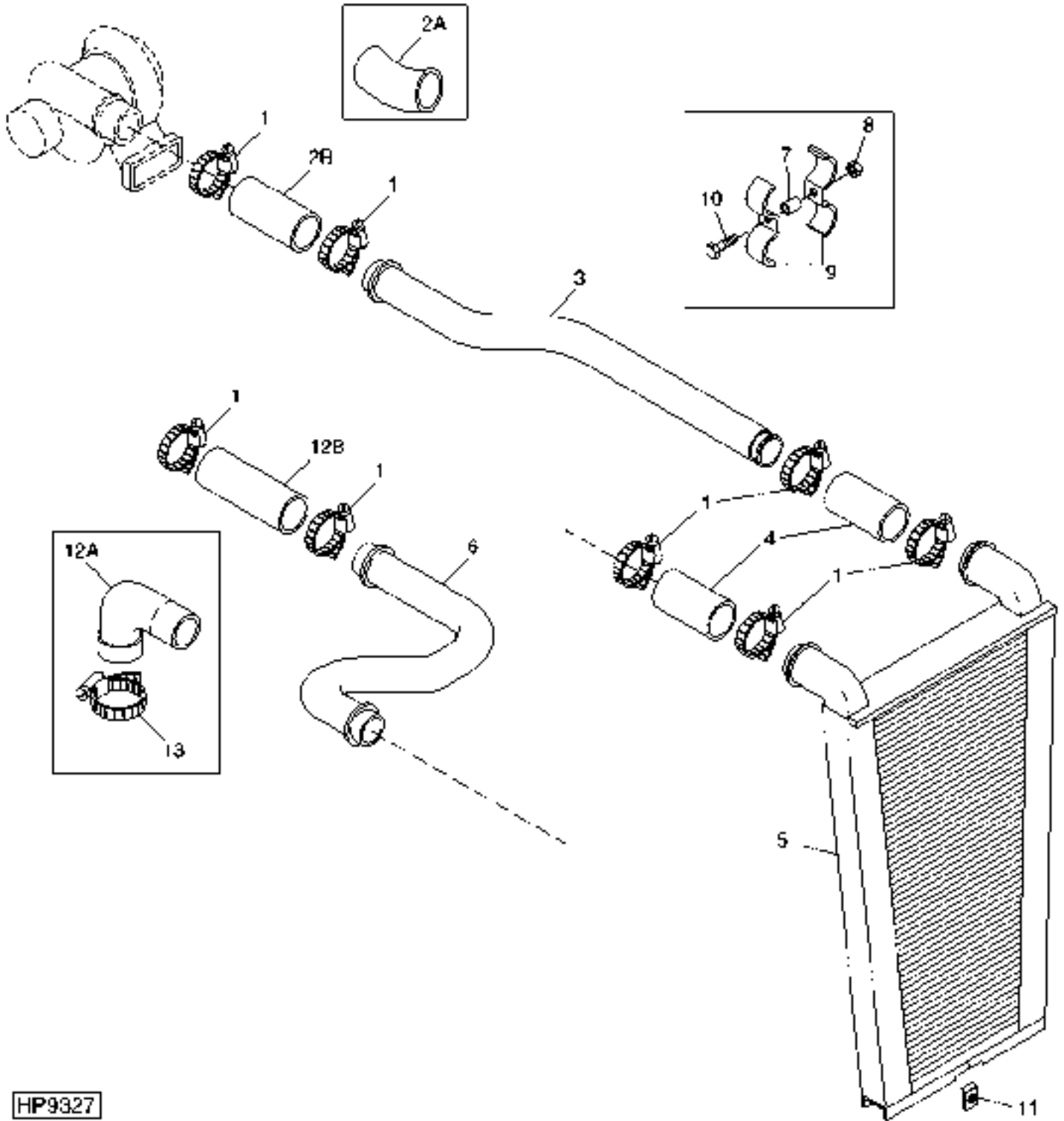
**HP9346**

KEY	PART NO.	PART NAME	QTY	SERIAL NO.	REMARKS
1	AT73296	POWER CORD	1	48 IN. LONG	
2	R54510	CAP	1	(SUB RE504122)	
3	R54511	NUT	1	(SUB RE504122)	
4	R54123	ADAPTER	1		
5	R47693	GASKET	1	(SUB RE504122)	
6	U13639	O-RING	1		
7	RE504122	COOLANT HEATER	1	(SUB FOR AR62399)	STANDARD WITH ENGINE
8	H75541	CLAMP	1		

# 1B16

ENGINE FAN, INTERCOOLER AND SCREENS

INTERCOOLER AND HOSES  
HP9327 -UN-18NOV99



HP9327



# 1B17

ENGINE FAN, INTERCOOLER AND SCREENS

## INTERCOOLER AND HOSES - CONTINUED

KEY	PART NO.	PART NAME	QTY	SERIAL NO.	REMARKS
1	AT39141	HOSE CLAMP	AR		
2A	H133049	HOSE	1	-655400	
2B	H133051	HOSE	1	655401-	
3	H150021	TUBE	1	-03JA96	(SUB FOR H138075)
	H155108	TUBE	1	04JA96-	
4	H133051	HOSE	2		
5	AH149229	AFTERCOOLER	1		(SUB FOR AH140473)
	AN273814	OIL COOLER	1	200C97-	
6	AH133014	TUBE	1	-655400	
	AH142096	LINE	1	655401-665400	
	AH148285	TUBE	1		
7	28H1903	BUSHING	1		
8	14M7298	FLANGE NUT	1		M8
	14M7396	LOCK NUT	1		M8
9	H133751	CLAMP	2		
10	19M8317	SCREW	1		M8 X 40
11	M84971	NUT	1		
12A	H140573	HOSE	1	-655400	
12B	H133051	HOSE	1	655401-	
13	AT37476	HOSE CLAMP	1		

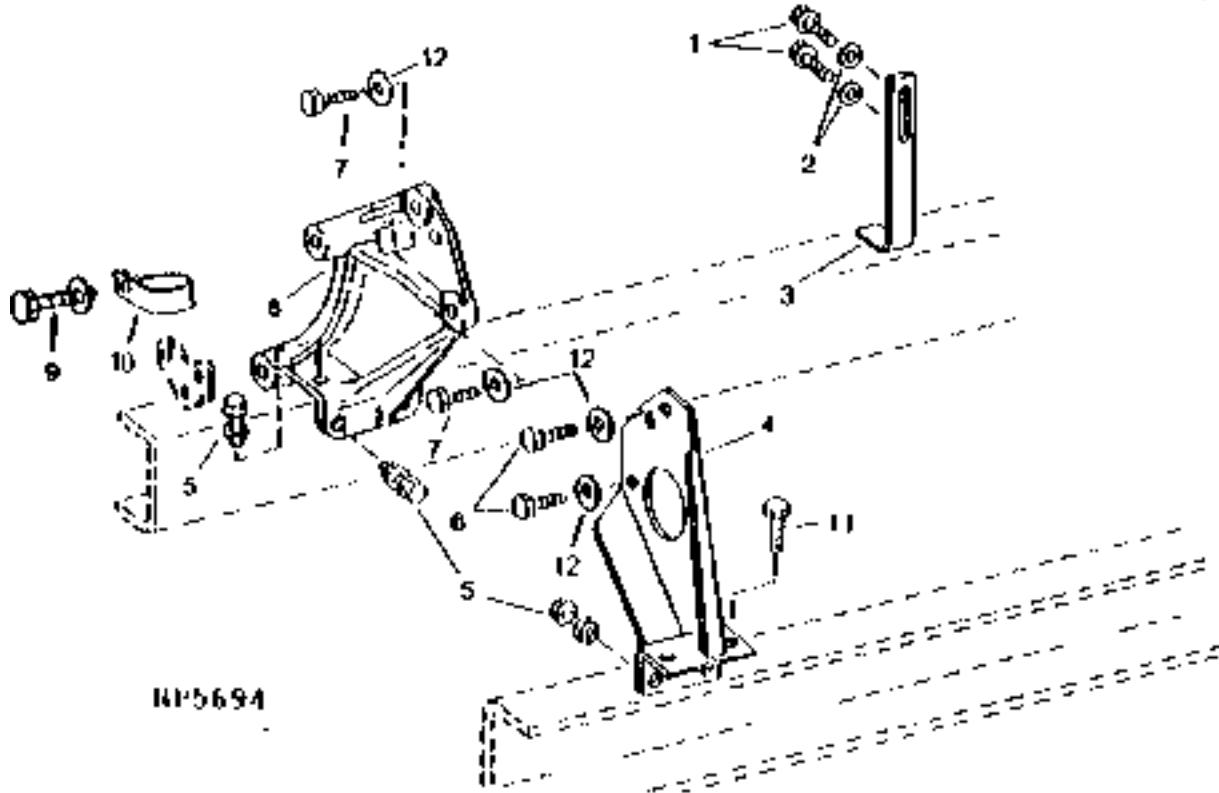
THIS PARTS LISTING IS CONTINUED

# 1B18

ENGINE FAN, INTERCOOLER AND SCREENS

## ENGINE MOUNTS AND REAR SUPPORT

HP5694 -UN-01JAN94



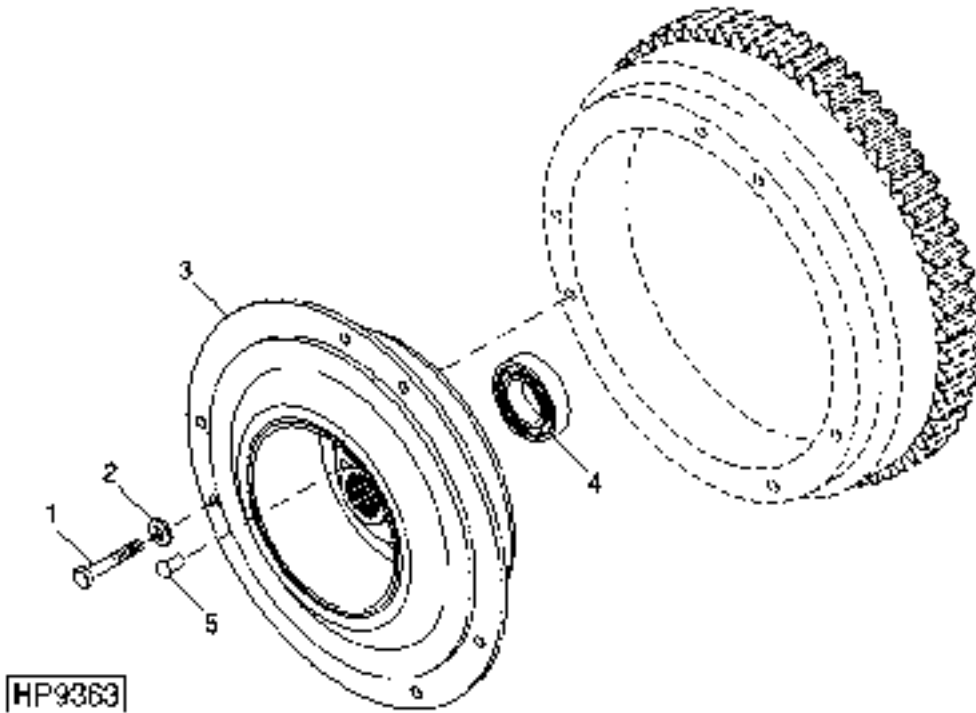
KEY	PART NO.	PART NAME	QTY	SERIAL NO.	REMARKS
1	19H1708	CAP SCREW	2		5/8" X 1-3/4"
2	24M7051	WASHER	2		21 X 37 X 3 MM
	24H1373	WASHER	2		21/32" X 1-9/16" X 0.180"
3	H134856	BRACKET	1		
4	AH148106	SUPPORT	1		(SUB FOR AH130507)
5	19M7786	SCREW	8		M10 X 30
	14M7296	FLANGE NUT	8		M10
6	19H1895	CAP SCREW	2	-655400	1/2" X 3/4"
	19H1792	CAP SCREW	2	655401-	1/2" X 1"
7	19H1815	CAP SCREW	2		1/2" X 1-1/4"
8	H143761	SUPPORT	1		R H FOR 260 HP RICE STANDARD
	H147115	SUPPORT	1	650401-	
9	19M8007	CAP SCREW	1		M10 X 25
	24M7178	WASHER	1		10.500 X 30 X 2.500 MM
10	H140076	ADJUSTING STRAP	1	-655400	
	H143757	HOSE CLAMP	1	655401-	
11	19H1782	CAP SCREW	1		3/4" X 2-1/4"
12	12H301	LOCK WASHER	1	655401-	12.700 MM

# 1B19

ENGINE FAN, INTERCOOLER AND SCREENS

## ENGINE GEARCASE COUPLING WITH HUB

HP9363 -UN-02DEC99

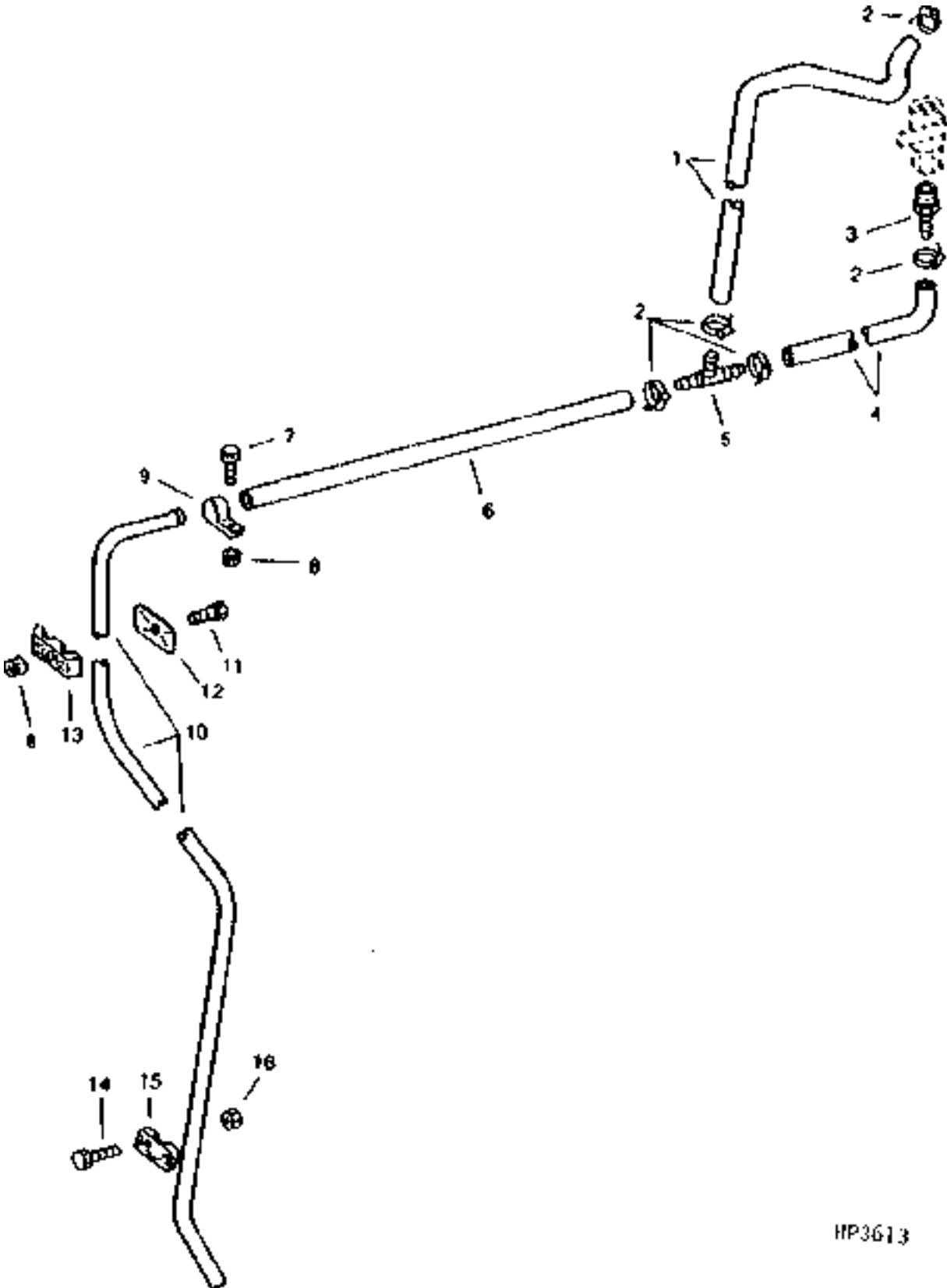


KEY	PART NO.	PART NAME	QTY	SERIAL NO.	REMARKS
1	R57725	SCREW	6	9.525 X 25.400 MM	
2	R42729	WASHER	6	10.312 X 20.980 X 2.286 MM	
3	AH117782	COUPLING	1	INCLUDES (6) 16H1559 RIVETS	
4	AR48751	BALL BEARING	1		
5	16H1559	RIVET	6	7/16" X 1-1/4"	

# 1B20

ENGINE FAN, INTERCOOLER AND SCREENS

ENGINE CRANKCASE OIL DRAIN  
HP3613 -UN-01JAN94



HP3613

# 1B21

## ENGINE FAN, INTERCOOLER AND SCREENS

### ENGINE CRANKCASE OIL DRAIN - CONTINUED

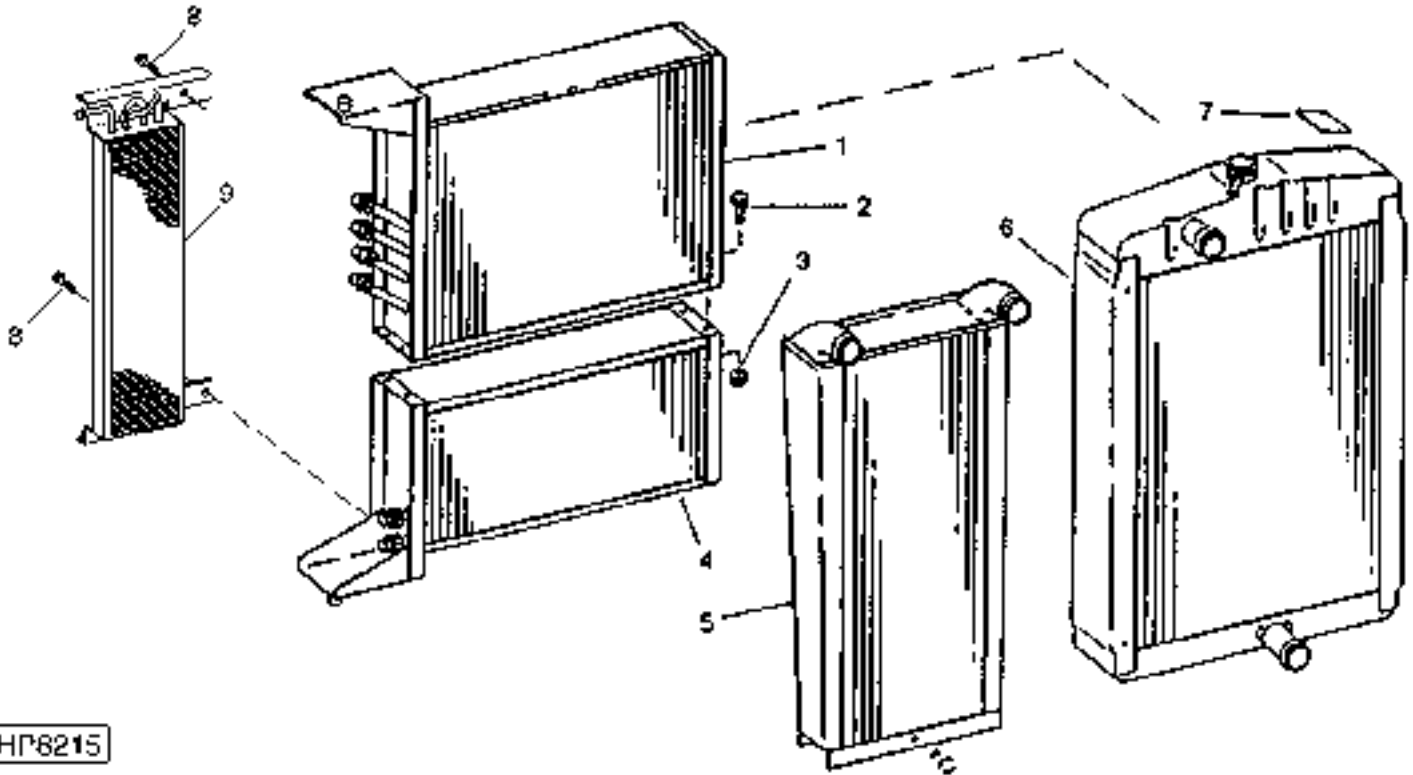
KEY	PART NO.	PART NAME	QTY	SERIAL NO.	REMARKS
1	H130016	HOSE	1		
2	TY22467	CLAMP	5		(SUB FOR AR21839)
3	A27238	HOSE FITTING	1		
4	TY22424	HOSE	1		(SUB FOR H130017)
5	A24915	TEE FITTING	1		
6	H114433	HOSE	1		
7	19M7867	SCREW	1	M8 X 25	
8	14M7298	FLANGE NUT	1	M8	
9	T70694	CLAMP	1		
10	H161155	TUBE	1		(SUB FOR H145003 OR H150433)
11	19M7801	SCREW	1	M8 X 60	
12	H112567	PLATE	2		
13	H114897	CLAMP	2		
14	03M7280	BOLT	2	M6 X 45	
15	H114432	CLAMP	2		
16	14M7303	FLANGE NUT	2	M6	

# 1B22

ENGINE FAN, INTERCOOLER AND SCREENS

## RADIATOR WITH OIL COOLER, A/C CONDENSER AND AIR INTER COOLER

HP8215 -UN-15FEB99



HP8215

KEY	PART NO.	PART NAME	QTY	SERIAL NO.	REMARKS
1	AH140472	OIL COOLER	1	-665400	SEE SEC 070 FOR OIL COOLER SYSTEM
	AH149588	VAPOR CONDENSER	1		(SUB FOR AH145232)
2	19M7774	SCREW	4		M6 X 12
3	14M7303	FLANGE NUT	4		M6
4	AH149618	VAPOR CONDENSER	1		(SUB FOR AH140471) EVAPORATOR
5	AH149229	AFTERCOOLER	1		(SUB FOR AH140473)
6	AH138940	RADIATOR	1		5 1/2 FPI
	AH144719	RADIATOR	1	655420-	4 FPI
7	H169344	DECAL	1		(SUB FOR A2913R) PRESSURE COOLING SYSTEM
	.....	LABEL	1		(KIT AH143684) ITALIAN
8	19M7774	SCREW	1		M6 X 12, LOWER
	19M7775	SCREW	1		M6 X 16, UPPER
9	AH162723	HEAT EXCHANGER	1		
..	H88769	ISOLATOR	1		(SUB FOR H145454)
..	H146765	BARRIER	1		

# 1C5

6076 ENGINE (HH030)

**TORQ-GARD SUPREME AND PLUS-50 ENGINE OIL**  
RGP3291 -UN-01JAN94

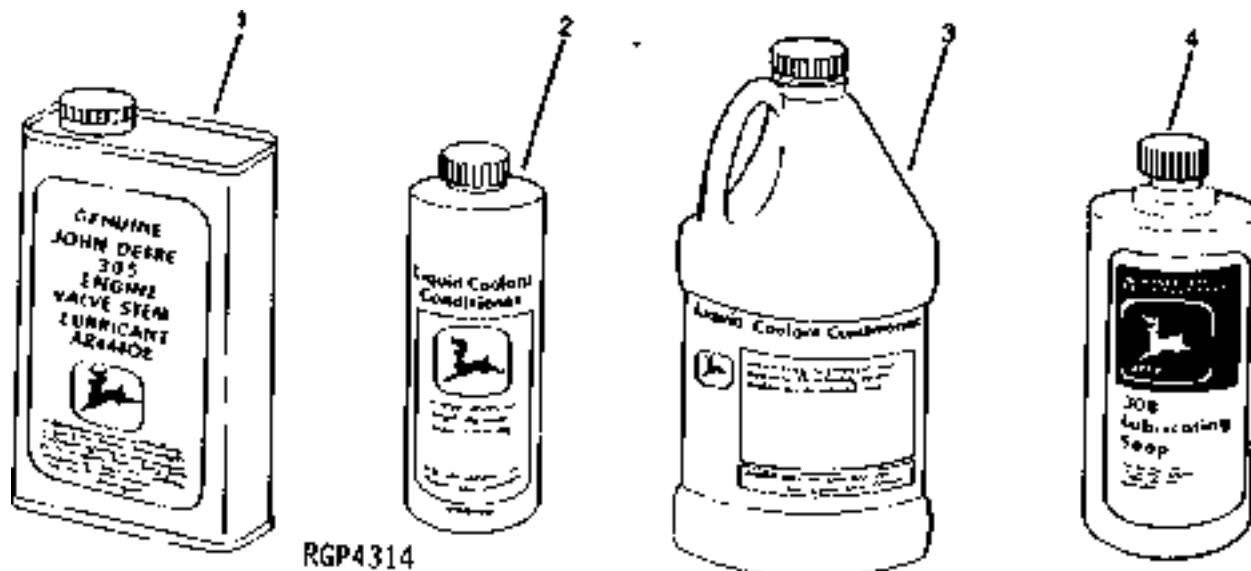


RGP 3291

KEY	PART NO.	PART NAME	QTY	SERIAL NO.	REMARKS
1	TY22064	OIL	1		(SAE 5W/30), 0.9L (1 QUART) (SUB FOR TY6359)
	TY22065	OIL	1		(SAE 5W/30), 19L (5 GALLON) (SUB FOR TY6360)
	TY22066	OIL	1		(SAE 5W/30), 208L (55 GALLON) (SUB FOR TY6361)
	TY6364	OIL	1		(SAE 10W/30), 0.9 L (1 QUART) (BREAKIN)
	TY6389	OIL	1		(SAE 15W/40), 0.9 L (1 QUART) (SUB FOR TY6297)
	TY6390	OIL	1		(SAE 15W/40), 19 L (5 GALLON) (SUB FOR TY6298)
	TY22010	OIL	1		(SAE 15W/40), 114 L (30 GALLON) (SUB FOR TY6300)
	TY6391	OIL	1		(SUB FOR TY6301) (SAE 15W/40), 208 L (55 GALLON)
	TY22067	OIL	1		(SAE 10W), .9L (1 GALLON) (SUB FOR TY22009)
	TY22068	OIL	1		(SAE 10W), 19L (5 GALLON) (SUB FOR TY6312)
	TY22069	OIL	1		(SAE 10W), 208L (55 GALLON) (SUB FOR TY6313)
	TY22070	OIL	1		(SAE 30W), 0.9L (1 GALLON) (SUB FOR AR63218, AR63979 OR TY6392)
	TY22073	OIL	1		(SAE 30W), 19L (5 GALLON) (SUB FOR AR63219 OR TY6393)
	TY6280	OIL	1		(SAE 30W), 114 L (30 GALLON)
TY22074	OIL	1		(SAE 30W), 208L (55 GALLON) (SUB FOR AR63222 OR TY6394)	
2	TY22008	OIL	1		(SAE 15W/40), 3.8 L (1 GALLON)
	TY22010	OIL	1		(SAE 15W/40), 113.6 L (30 GALLON)
	TY22071	OIL	1		(SAE 30W), 3.8 L (1 GALLON) (SUB FOR TY22007)
	TY22011	OIL	1		(SAE 30W), 113.6 L (30 GALLON)
..	TY22041	OIL	1		(SAE 10W/30), 3.8 L (1 GALLON) (FACTORY SPEC BREAKIN)
..	TY22042	OIL	1		(SAE 10W/30), 208 L (55 GALLON) (FACTORY SPEC. BREAKIN)

**COOLANT CONDITIONER AND ENGINE PART LUBRICANTS**

RGP4314 -UN-01JAN94



RGP4314

KEY	PART NO.	PART NAME	QTY	SERIAL NO.	REMARKS
1	AR44402	OIL	1		0.9 L (1 QT.)
2	TY16004	ENGINE COOLANT CONDITIONER	1		0.472 L (16 OZ.) (SUB FOR RE23182)
3	TY16005	ENGINE COOLANT CONDITIONER	1		3.8 L (1 GAL.) (PHOSPHATE - FREE) (SUB FOR RE35992)
4	AR54749	LUBRICANT	1		0.9 L (1 QT.)
	AT66865	LUBRICANT	1		(ELECTRICAL CONNECTIONS) (NOT SHOWN)
..	AR41785	KIT	1		CONTAINS 0.9 L (1 QT.) (OFF-SEASON STORAGE)
..	AR21969	KIT	1		(DUST CAP/COVER KIT)
..	DS0251	KIT	1		(COOLANT SCAN TEST)
..	IPSKIT1	KIT	1		(OIL SCAN TEST)

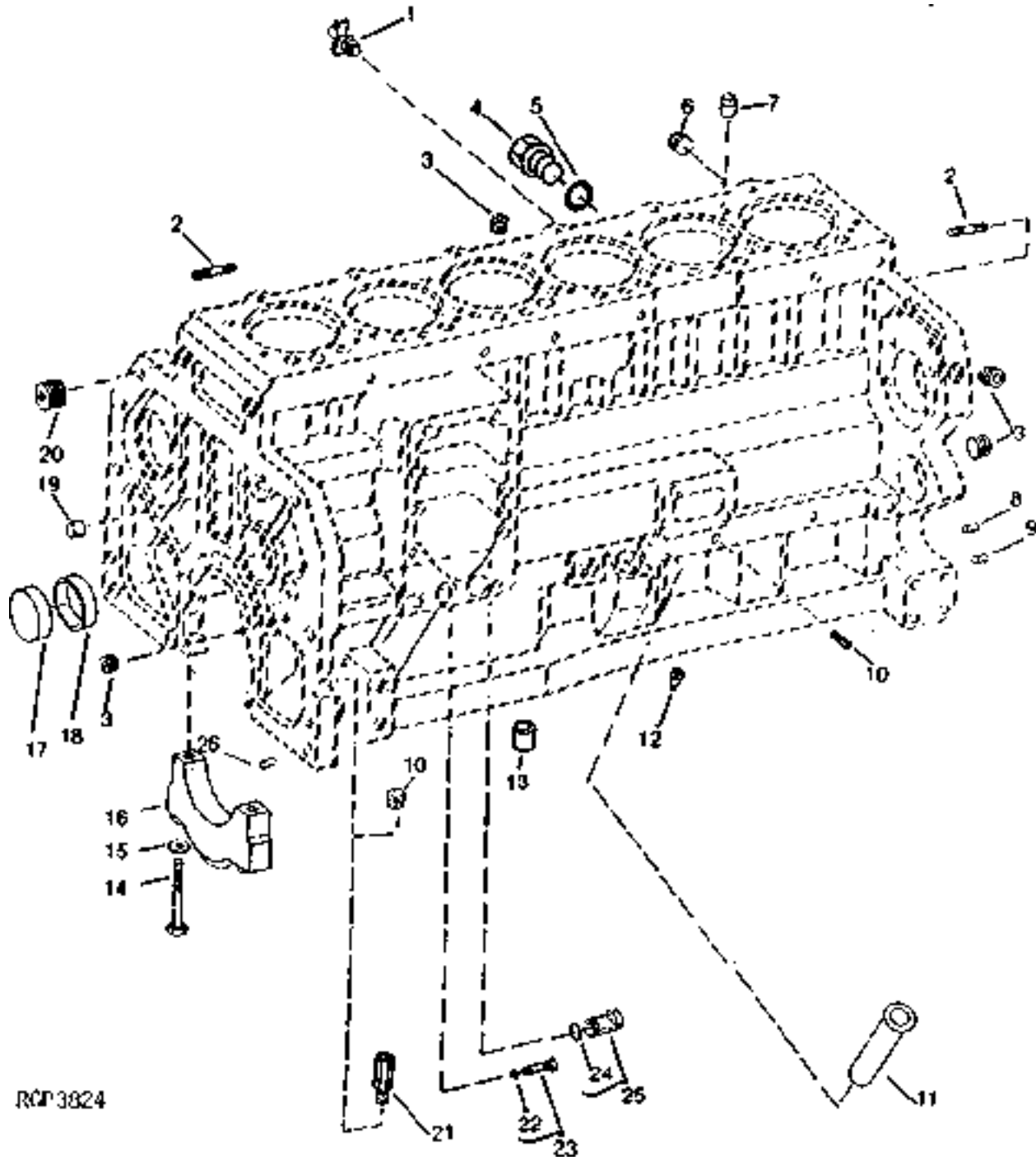


MEMORANDA

# 1C7

6076 ENGINE (HH030)

CYLINDER BLOCK FITTINGS  
RGP3824 -UN-01JAN94



RGP 3824

# 1C8

6076 ENGINE (HH030)

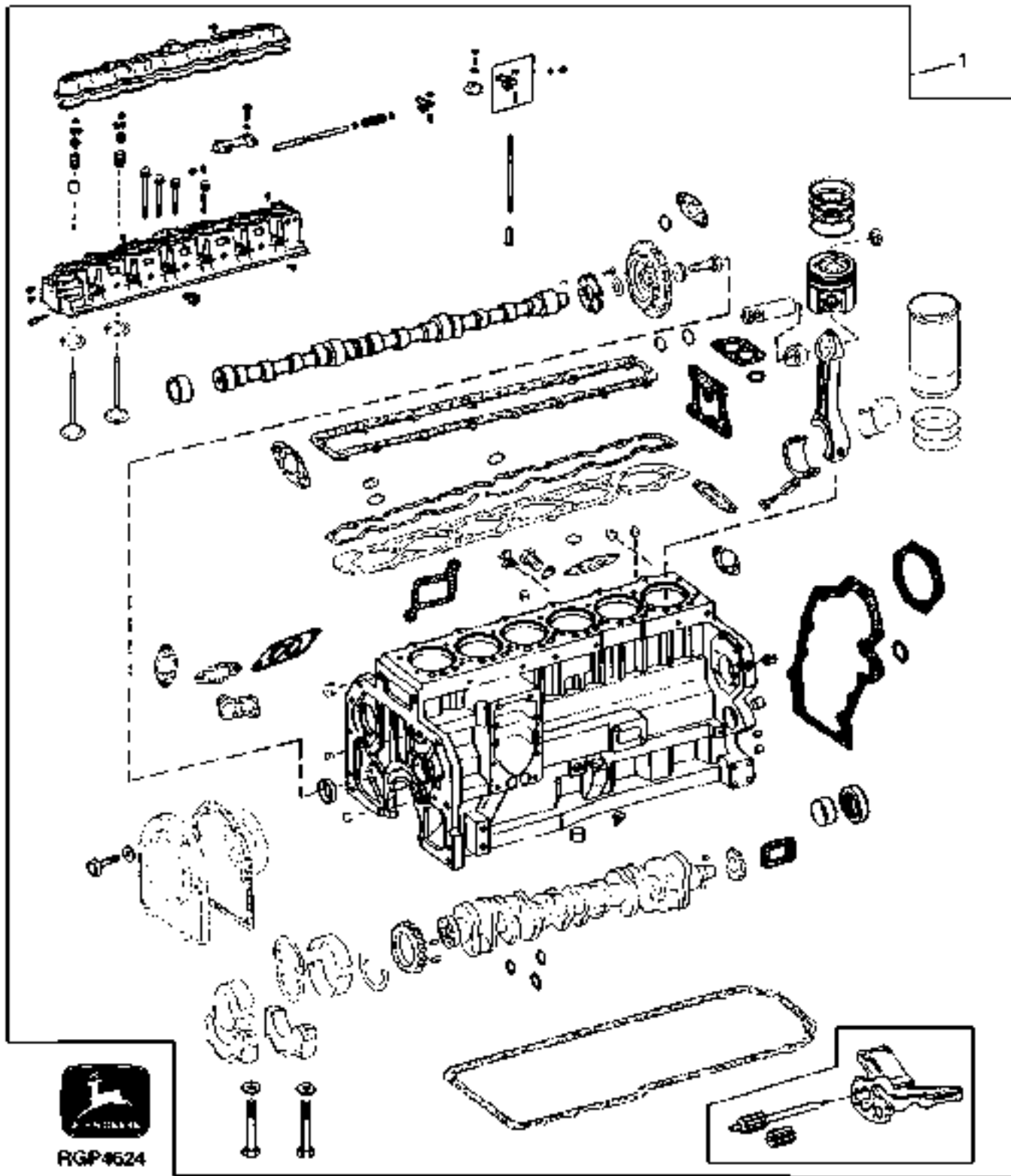
## CYLINDER BLOCK FITTINGS - CONTINUED

KEY	PART NO.	PART NAME	QTY	ENGINE SERIAL NO.	REMARKS
1	AT13740	DRAIN VALVE	1		
2	R114130	STUD	5		
3	15H624	PIPE PLUG	4	1/2"	
4	R39741	DRAIN PLUG	1		
5	U13639	O-RING	1		
6	15H690	PIPE PLUG	1	3/4"	
7	R42340	BUSHING	2		
8	R1612R	DOWEL PIN	2		
9	F1743R	DOWEL PIN	2		
10	R104592	PIPE PLUG	6		
11	R104574	DIPSTICK TUBE	NA		
	R107623	ADAPTER	1		
12	R43621	ORIFICE	6		
13	R62930	BUSHING	2	(NOT INSTALLED)	
14	R42365	BOLT	14		
15	R70268	WASHER	14		
16	R57158	BEARING CAP	6	(MAIN)	
	R57159	BEARING CAP	1	(THRUST)	
17	R82007	CAP	1		
18	R87561	BUSHING	4		
19	R61288	DOWEL PIN	1		
20	15H562	PIPE PLUG	1	1"	
21	R53014	FITTING	1		
22	A4365R	O-RING	1		
23	AR61589	PLUG	1		
24	R27149	O-RING	1		
25	AR61533	PLUG	1		
26	H79910	DOWEL PIN	2		
..	RE57420	SCREW	2	(TOP FRONT L.H. HOLE)	
..	.....	CYLINDER BLOCK	NA		

# 1C9

6076 ENGINE (HH030)

COMPLETE BLOCK ASSEMBLY  
 (ENGINE SERIAL NO. 500000- )  
 RGP4624 -UN-13DEC95



RGP4624

# 1C10

6076 ENGINE (HH030)

**COMPLETE BLOCK ASSEMBLY - CONTINUED**  
(ENGINE SERIAL NO. 500000- )

KEY	PART NO.	PART NAME	QTY	ENGINE SERIAL NO.	REMARKS
1	RG25825	COMPLETE BLOCK ASSEMBLY	1		(B) (ALSO ORDER R104574, APPL)
	RG25273	COMPLETE BLOCK ASSEMBLY	1		(A) (ALSO ORDER R104574, APPL)

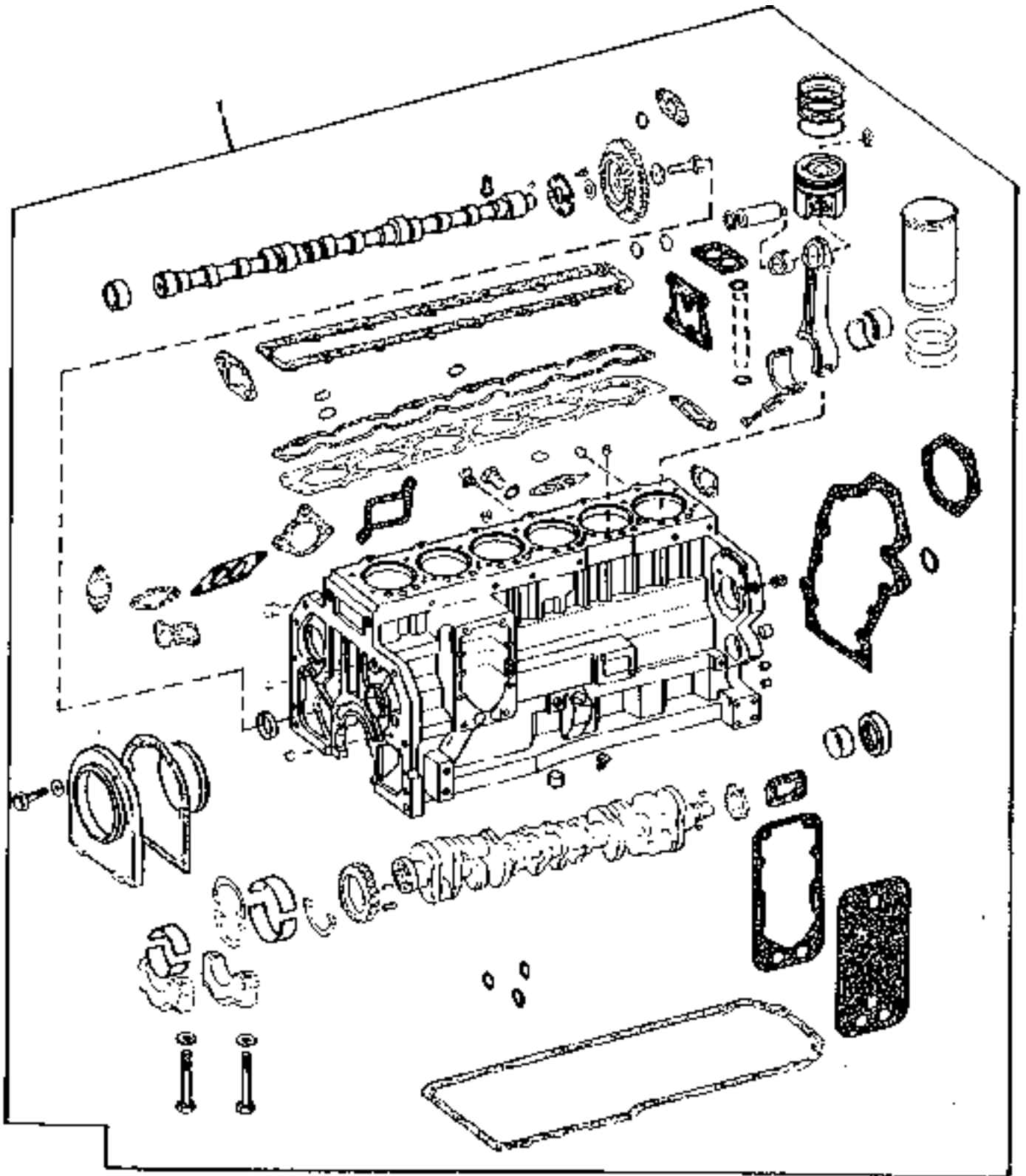
(A) (USE WITH BLOCK MARKED R94561, R119995, OR R122736, 27MM WIDE GEAR TRAIN, AND 95MM INJECTION PUMP BORE) 6076HH030, HH031 (ESN 538146- ), HH032, HH034 HH035, OR HH036.

(B) (USE WITH BLOCK MARKED R100406, R119996 OR R122737, 27MM WIDE GEAR TRAIN, AND 85MM INJECTION PUMP BORE) 6076HH031 (ESN 500000-538145)

# 1C11

6076 ENGINE (HH030)

ENGINE SHORT BLOCK  
(WITHOUT HEAD BOLTS)  
RGP3581 -UN-01JAN94



RGP3581

# 1C12

6076 ENGINE (HH030)

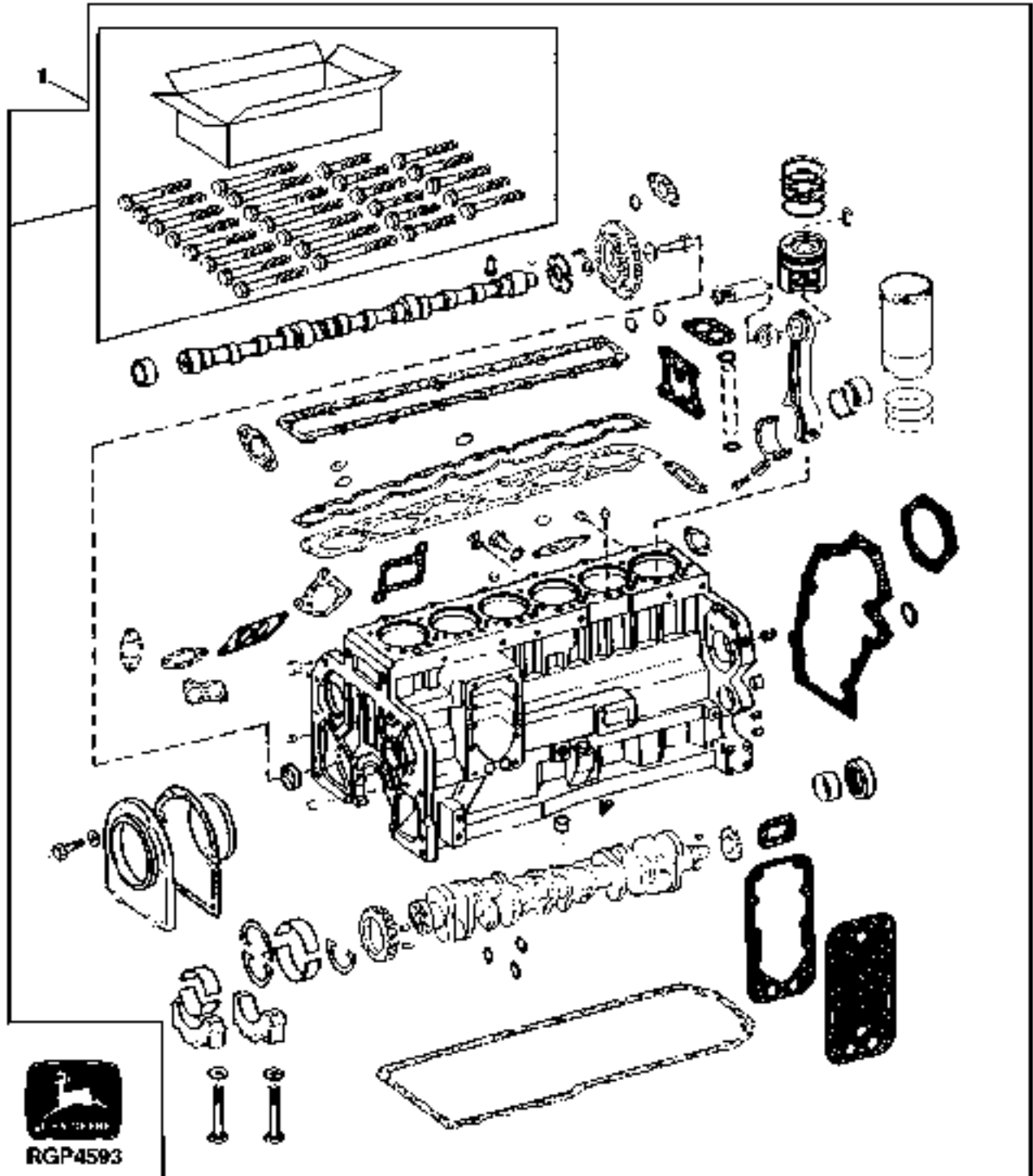
**ENGINE SHORT BLOCK - CONTINUED  
(WITHOUT HEAD BOLTS)**

KEY	PART NO.	PART NAME	QTY	ENGINE SERIAL NO.	REMARKS
1	RE42588	SHORT BLOCK ASSEMBLY	1	-509679	(MARKED R94561) (SUB RE65052 AND R104574, APPL)
	RE53470	SHORT BLOCK ASSEMBLY	1	509680-XXXXXX	(MARKED R94561) (SUB RE65052 AND R104574, APPL)
	RE55444	SHORT BLOCK ASSEMBLY	1	XXXXXX-520643	(MARKED R119995) (SUB RE65052 AND R104574, APPL)
	RE58463	SHORT BLOCK ASSEMBLY	1	520644-XXXXXX	(MARKED R119995) (SUB RE65052 AND R104574, APPL)
	RE60386	SHORT BLOCK ASSEMBLY	1	XXXXXX-	(MARKED R122736) (SUB RE65052 AND R104574, APPL)

# 1C13

6076 ENGINE (HH030)

ENGINE SHORT BLOCK  
(WITH HEAD BOLTS)  
RGP4593 -UN-26OCT95





# 1C14

6076 ENGINE (HH030)

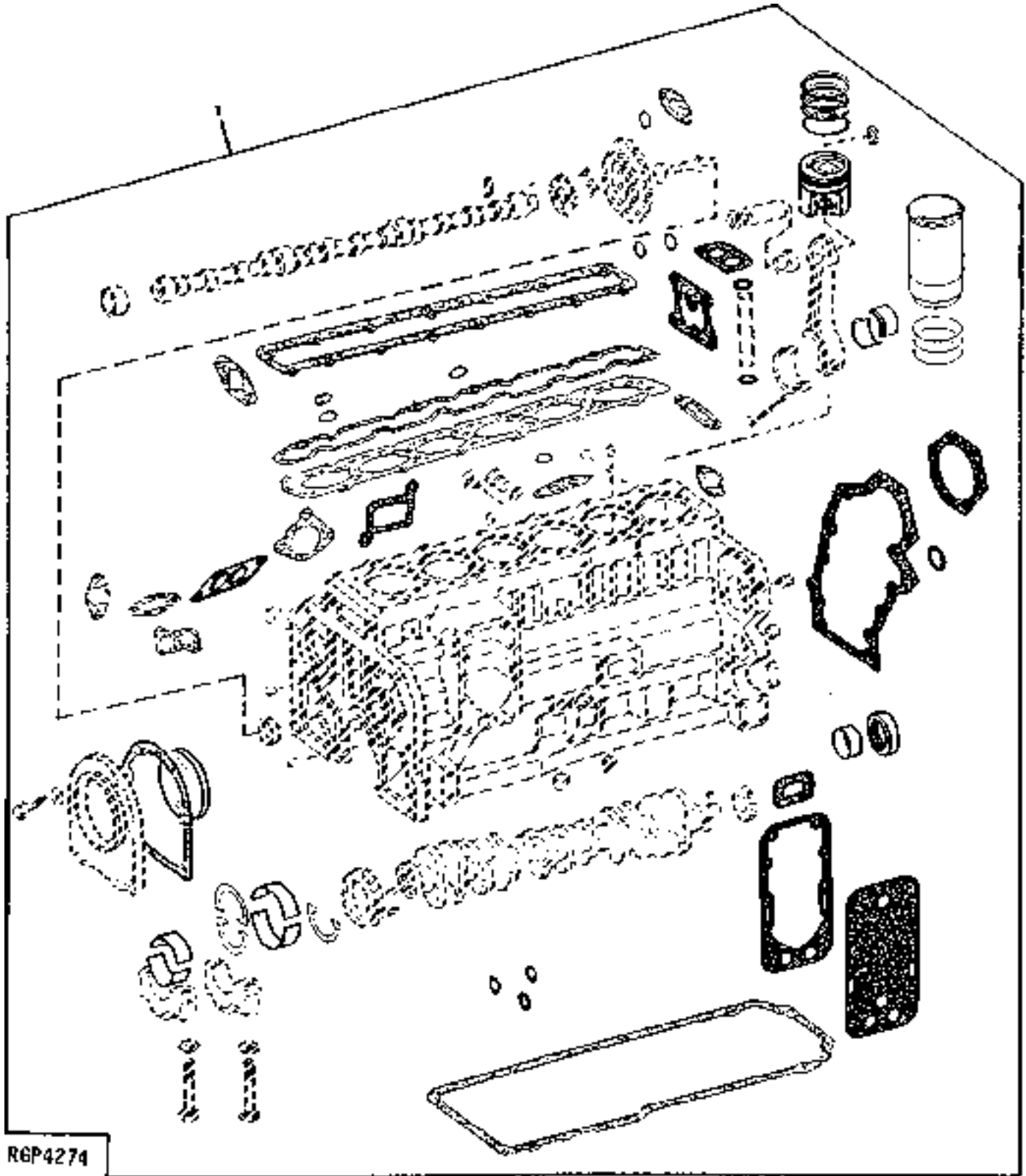
**ENGINE SHORT BLOCK - CONTINUED  
(WITH HEAD BOLTS)**

KEY	PART NO.	PART NAME	QTY	ENGINE SERIAL NO.	REMARKS
1	RE65052	SHORT BLOCK ASSEMBLY	1		(MARKED R122736) (ALSO ORDER R104574) (INCLUDES 26 "SPECIAL" HEAD BOLTS)

# 1C15

6076 ENGINE (HH030)

ENGINE OVERHAUL KIT(S) (STD/US BRGS, OR EXPANDED)  
(ENGINE SERIAL NO. 500000- )  
RGP4274 -UN-01JAN94



# 1C16

6076 ENGINE (HH030)

**ENGINE OVERHAUL KIT(S) (STD/US BRGS, OR EXPANDED) - CONTINUED**  
(ENGINE SERIAL NO. 500000- )

KEY	PART NO.	PART NAME	QTY	ENGINE SERIAL NO.	REMARKS
1	RE64212	ENGINE OVERHAUL KIT	1		(CONTAINS (6) RE60294 PISTON LINERS, GASKET KIT, STD BEARINGS, FRONT/REAR SEALS AND SNAP RINGS) (ALSO ORDER R66452 ROD BOLTS) (SUB FOR RG22793 OR RE60296)
	RE66784	ENGINE OVERHAUL KIT	1		(NOT AS SHOWN) (EXPANDED - STD BEARINGS KIT) (CONTAINS RE64212 PARTS, (12) R66452, (6) R74008, (6) R57771 AND (4) R87561) (SUB RG27920)
	RG27920	ENGINE OVERHAUL KIT	1	17DEC7-	
	RE66785	ENGINE OVERHAUL KIT	1		(NOT AS SHOWN) (EXPANDED .010" US BRGS KIT) (CONTAINS (6) RE60294, (6) AR73279, (6) AR74816, AR77750, AR77753, RE64206, AR49025, RE22764, (12) E1343FN, (12) R66452, (6) R74008, (6) R57771 AND (4) R87561) (SUB RG27921)
	RG27921	ENGINE OVERHAUL KIT	1	17DEC7-	

# 1C17

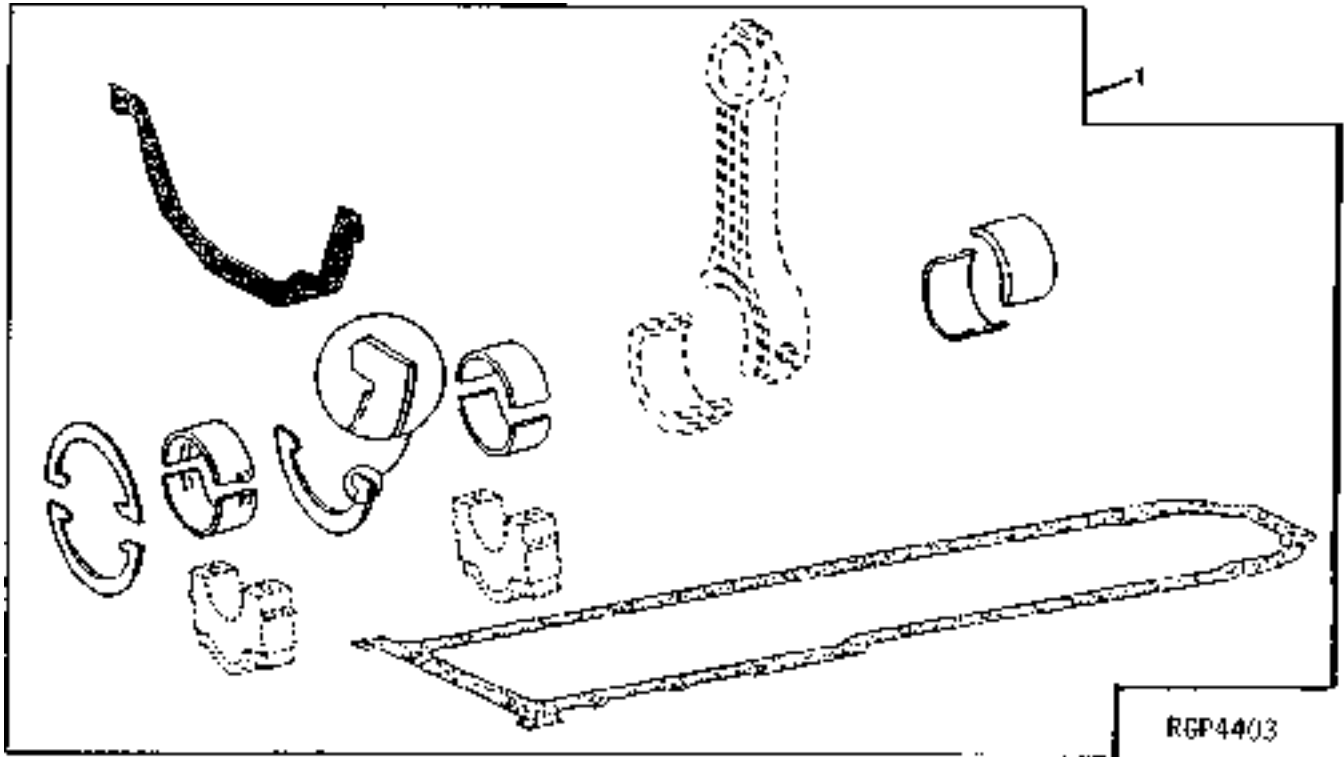
6076 ENGINE (HH030)

## ENGINE UNDERHAUL KIT (STD BRGS)

(6076)

RGP4403

-UN-14DEC94



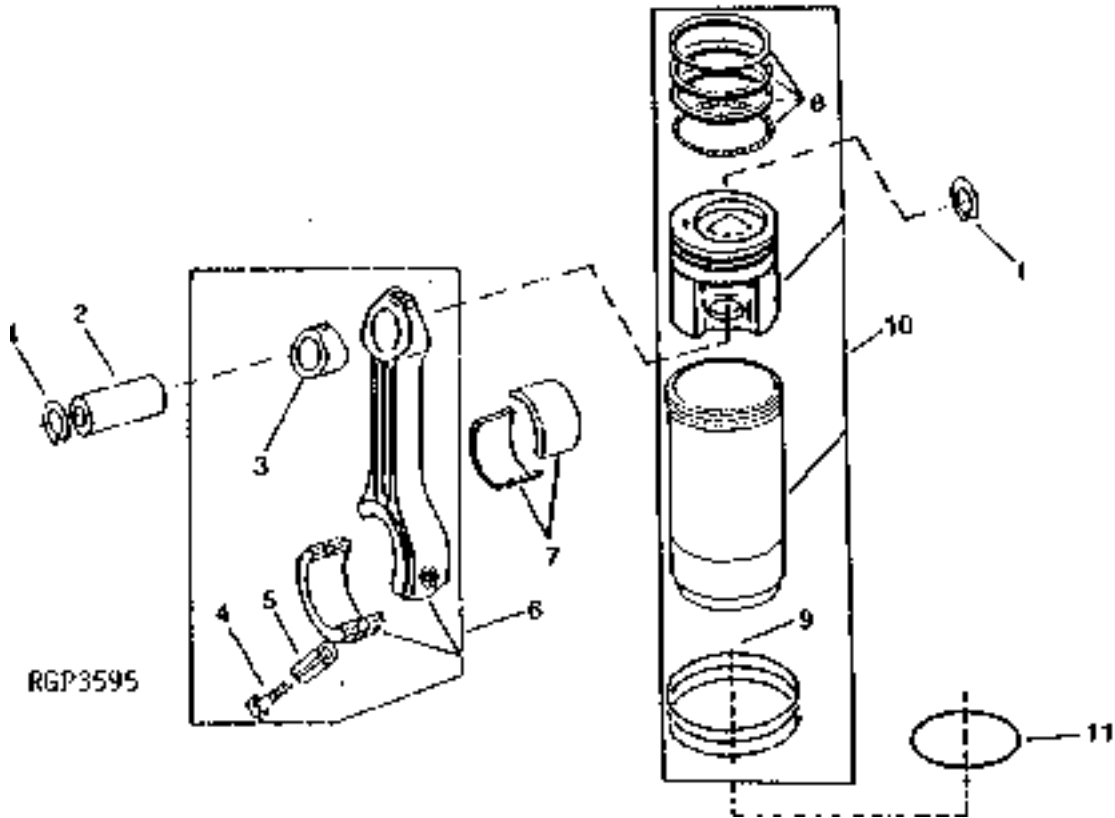
KEY	PART NO.	PART NAME	QTY	ENGINE SERIAL NO.	REMARKS
1	RG23426	KIT	1		(INCLUDES STD BRGS, OIL PAN GASKET, AND SPLIT GASKETS) (SUB FOR RG22789)

# 1C18

6076 ENGINE (HH030)

## PISTON, RINGS, LINERS AND CONNECTING RODS

(6076) (ESN 50000- )  
RGP3595 -UN-01JAN94



KEY	PART NO.	PART NAME	QTY	ENGINE SERIAL NO.	REMARKS
1	E1343FN	SNAP RING	12		
2	R57771	PISTON PIN	6		
3	R74008	BUSHING	6		
4	R66452	CAP SCREW	12		
5	R53292	SLEEVE	12		
6	AR93341	CONNECTING ROD	6		(MARKED R71074)
7	AR73277	BEARING	AR		STD (PKG (2) R57583)
	AR73278	BEARING	AR		0.05MM (.002") US (PKG (2) R60485)
	AR73279	BEARING	AR		0.25MM (.010") US (PKG (2) R60486)
	AR73280	BEARING	AR		0.51MM (.020") US (PKG (2) R60487)
	AR73281	BEARING	AR		0.76MM (.030") US (PKG (2) R60488)
8	RE48380	PISTON RING	6	-520186	(USE WITH RE50868)
	RE57517	PISTON RING	6	520187-	(USE WITH RE57512)
9	AR98850	KIT	6		
10	RE48739	KIT	6	-520186	(MARKED RE50868) (SUB RE60294, APPL)
	RE57513	KIT	6	520187-XXXXXX	(MARKED RE57512) (SUB RE60294)
	RE60294	KIT	6	XXXXXX-	(MARKED RE57512)
11	R93948	SHIM	2		0.05MM (.002") (MAXIMUM)

# 1C19

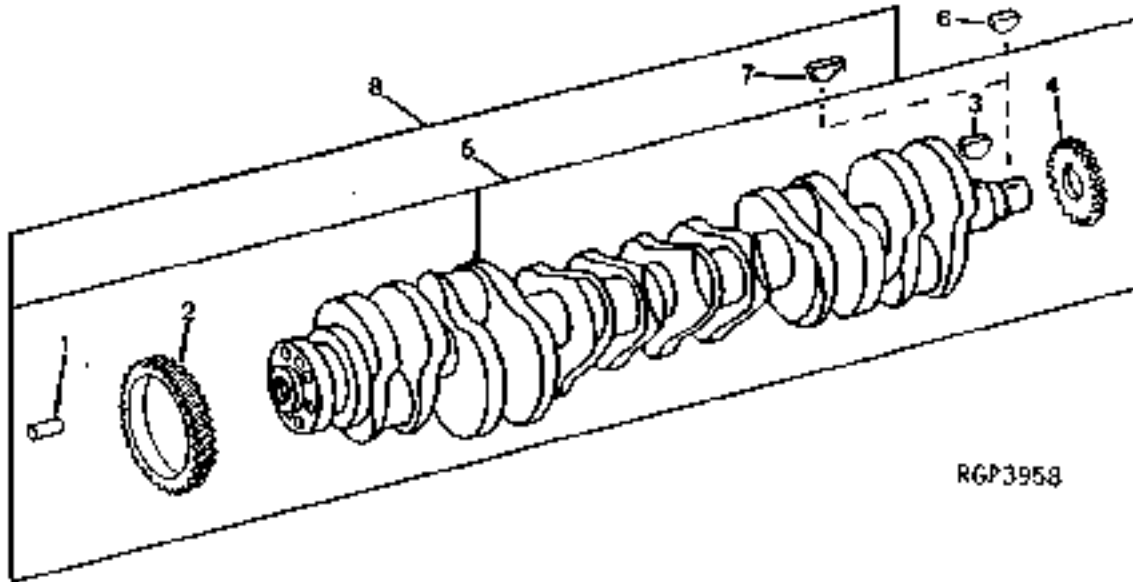
6076 ENGINE (HH030)

## CRANKSHAFT

(6076)

RGP3958

-UN-01JAN94



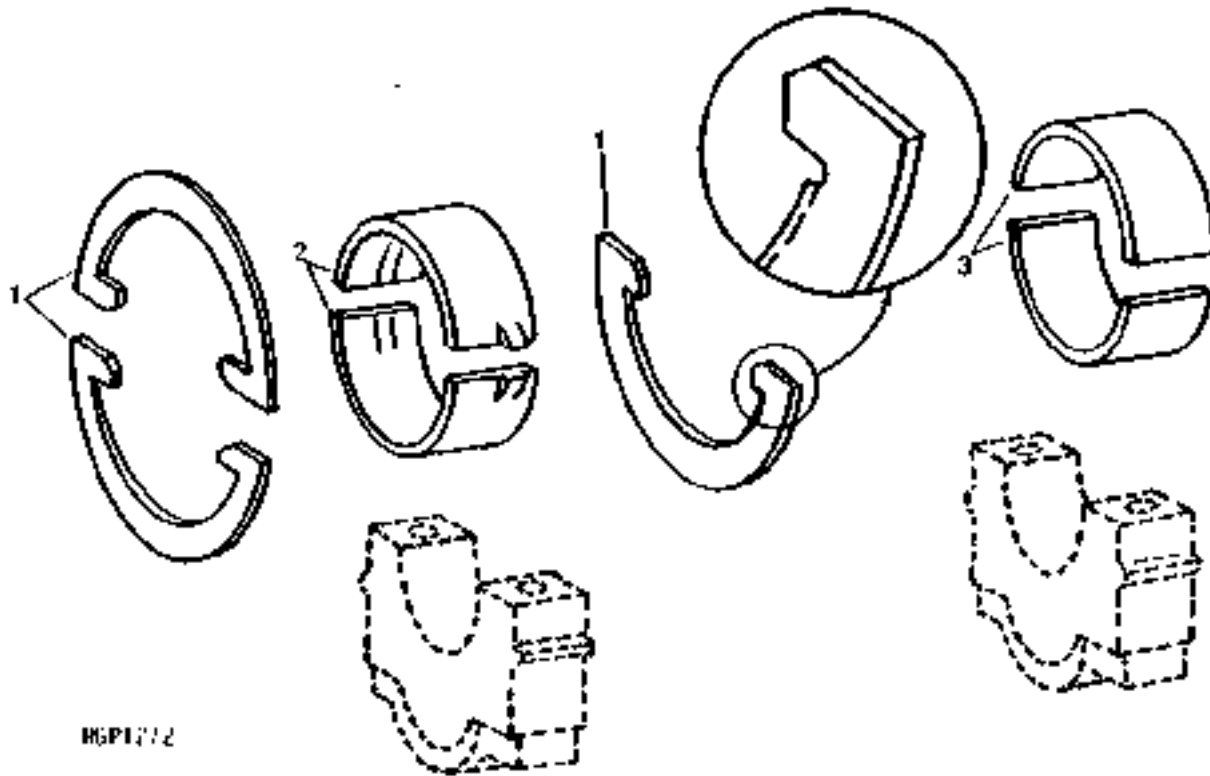
KEY	PART NO.	PART NAME	QTY	ENGINE SERIAL NO.	REMARKS
1	R41934	DOWEL PIN	1		
2	R63326	GEAR	1		(SUB RG23551, APPL)
3	R120752	KEY	1		
4	R104587	GEAR	1		
5	RE41821	CRANKSHAFT	1	-509679	(MARKED RE41821) (SUB RG23551)
	RE53199	CRANKSHAFT	1	509680-	(MARKED RE53199) (SUB RG23551)
6	26H85	SHAFT KEY	1	-509679	1/4" X 1", (USE WITH RE41821) (DAMPER)
7	R116311	KEY	1	509680-	(USE WITH RE53199)
8	RG23551	CRANKSHAFT	1		(MARKED RE53199)

# 1C20

6076 ENGINE (HH030)

## MAIN AND MAIN THRUST BEARINGS

(6076)  
RGP1272 -UN-01JAN94



KEY	PART NO.	PART NAME	QTY	ENGINE SERIAL NO.	REMARKS
1	AR77747	THRUST WASHER	1		STD (PKG (3) R62986)
	AR77753	THRUST WASHER	1		0.18 MM (.007") OS (PKG (2) R63010 AND R62986)
2	AR77748	THRUST BEARING	1		STD (PKG R62987 AND R62988)
	AR77749	THRUST BEARING	1		0.05 MM (.002") US (PKG R63002 AND R63006)
	AR77750	THRUST BEARING	1		0.25 MM (.010") US (PKG R63003 AND R63007)
	AR77751	THRUST BEARING	1		0.51 MM (.020") US (PKG R63004 AND R63008)
	AR77752	THRUST BEARING	1		0.76 MM (.030") US (PKG R63005 AND R63009)
3	AR74814	BEARING	AR		STD (PKG R61289 AND R57584)
	AR74815	BEARING	AR		0.05 MM (.002") US (PKG R61608 AND R60472)
	AR74816	BEARING	AR		0.25 MM (.010") US (PKG R61609 AND R60473)
	AR74817	BEARING	AR		0.51 MM (.020") US (PKG R61610 AND R60474)
	AR74818	BEARING	AR		0.76 MM (.030") US (PKG R61611 AND R60475)

# 1C21

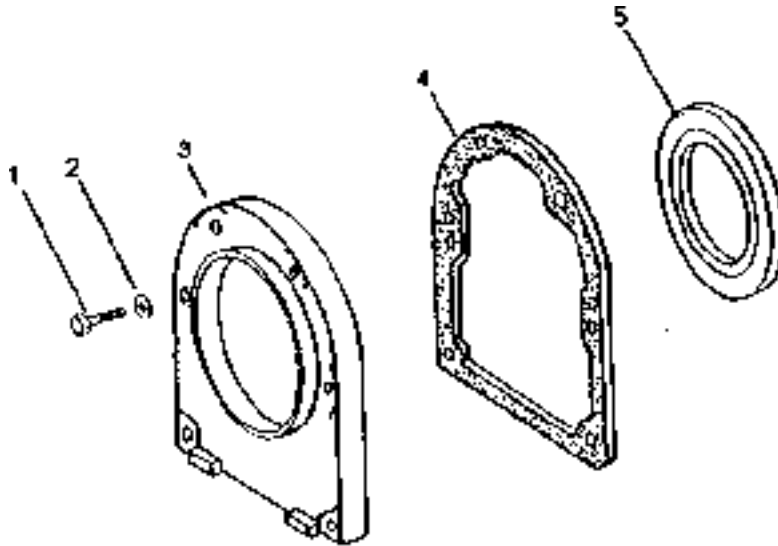
6076 ENGINE (HH030)

## CRANKSHAFT OIL SEAL AND HOUSING

(6076)

RGP2382

-UN-01JAN94



RGP2382

KEY	PART NO.	PART NAME	QTY	ENGINE SERIAL NO.	REMARKS
1	R47074	CAP SCREW	6		7.925 X 28.448 MM (5/16" X 1.120")
2	T27860	WASHER	6		11/32" X 11/16" X 0.065"
3	R125027	HOUSING	1		(SUB FOR R78124 OR R115050)
4	R26058	GASKET	1		
5	RE22764	SEAL	1		

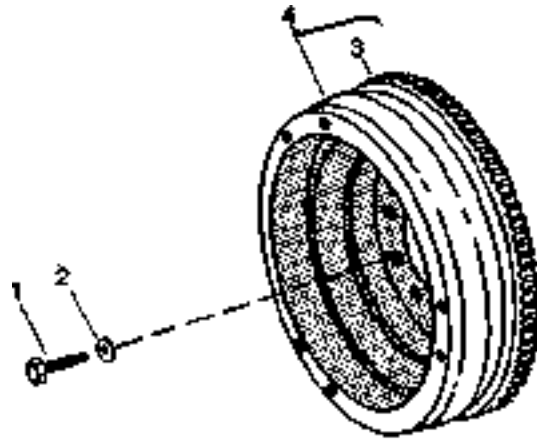


# 1C22

6076 ENGINE (HH030)

## FLYWHEEL

RGP198 -UN-01JAN94



RGF198

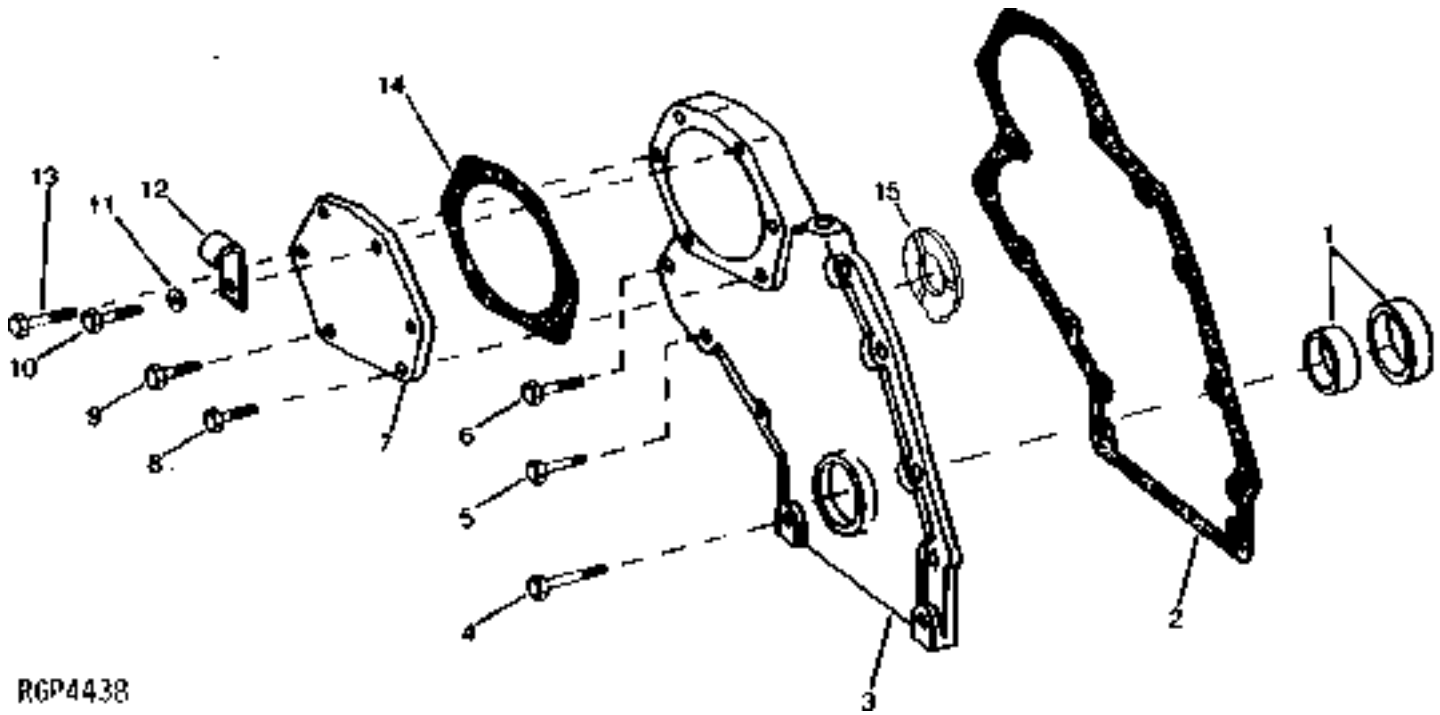
KEY	PART NO.	PART NAME	QTY	ENGINE SERIAL NO.	REMARKS
1	R79850	CAP SCREW	6	12.700 X 50.800 MM (1/2" X 2")	
2	T23891	WASHER	6		
3	R28811	RING GEAR	1		
4	AR95426	FLYWHEEL	1	(MARKED R73271) (SUB RE502510)	
	RE502510	FLYWHEEL	1	(MARKED R501414)	

# 1C23

6076 ENGINE (HH030)

## TIMING GEAR COVER AND FRONT OIL SEAL

(6076)  
RGP4438 -UN-28FEB95



RGP4438

KEY	PART NO.	PART NAME	QTY	ENGINE SERIAL NO.	REMARKS
1	AR49025	SEAL	1		
2	R104623	GASKET	1		
3	R105506	COVER	1	-505512	(SUB R116465)
	R116465	COVER	1	505513-	
4	R104859	CAP SCREW	7		
5	R104861	CAP SCREW	1		
	12H303	LOCK WASHER	1	5/16"	
6	R112269	CAP SCREW	1		
7	R99463	COVER	1		
8	R112268	CAP SCREW	1		
9	R112267	CAP SCREW	1		
	12H303	LOCK WASHER	1	5/16"	
10	R112273	CAP SCREW	3		
11	24H1136	WASHER	1	11/32" X 11/16" X 0.065",	(NO LONGER REQUIRED)
12	R72853	CLAMP	1		(NO LONGER REQUIRED)
13	.....	CAP SCREW	NA		
14	R99464	GASKET	1		
15	R104656	THRUST WASHER	1		

# 1C24

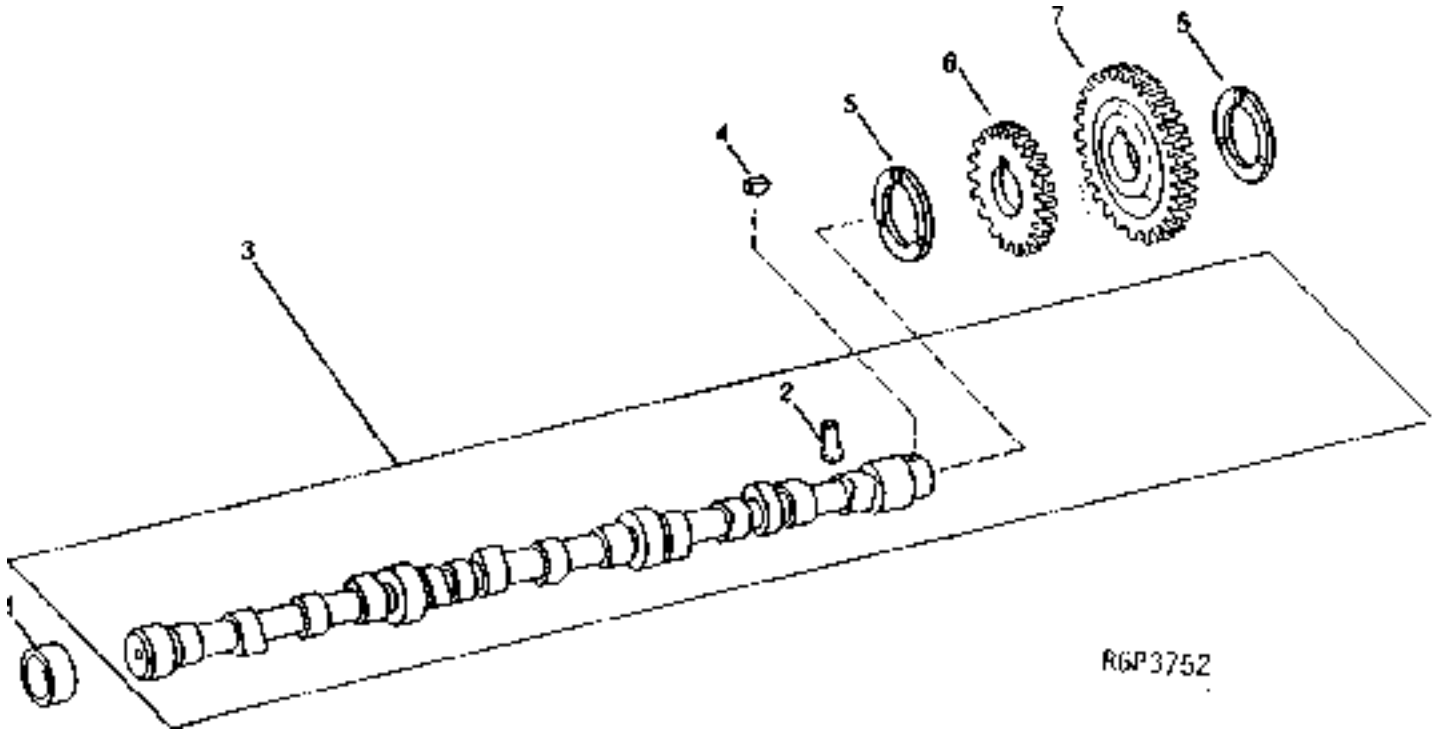
6076 ENGINE (HH030)

## CAMSHAFT AND GEAR

(6076)

RGP3752

-UN-01JAN94



KEY	PART NO.	PART NAME	QTY	ENGINE SERIAL NO.	REMARKS
1	R87561	BUSHING	4		
2	R105379	CAM FOLLOWER	12		(USE WITH R104858) (SUB FOR R91747)
	R110126	CAM FOLLOWER	12		(USE WITH R109717 OR R120872)
3	RE42383	CAMSHAFT	1	-520097	(MARKED R109717 OR R104858) (SUB RE57054)
	RE57054	CAMSHAFT	1	520098-	(MARKED R120872)
4	26H91	SHAFT KEY	1		3/16" X 1-1/4"
5	R104656	THRUST WASHER	2		
6	R104589	GEAR	1		
7	R112053	GEAR	1		

# 1C25

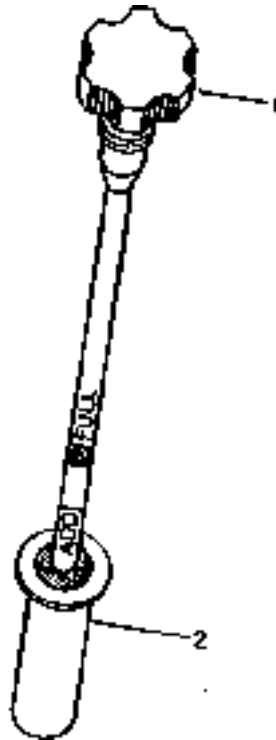
6076 ENGINE (HH030)

## ENGINE OIL DIPSTICK AND TUBE

(6076)

RGP3592

-UN-01JAN94



RGP3592

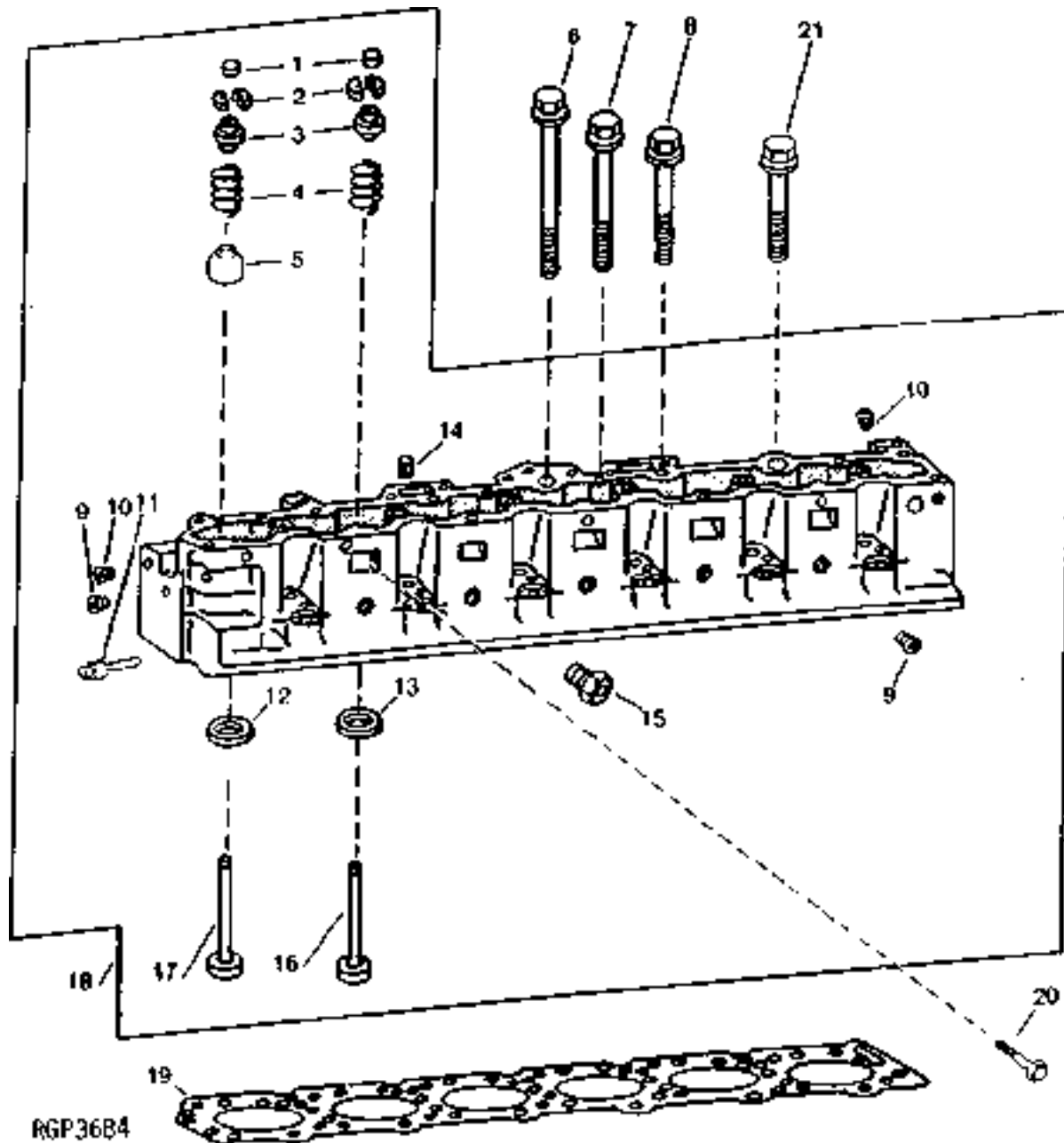
KEY	PART NO.	PART NAME	QTY	ENGINE SERIAL NO.	REMARKS
1	RE41811	DIPSTICK	1		
2	R104574	DIPSTICK TUBE	1		

MEMORANDA

# 1D1

6076 ENGINE (HH030)

CYLINDER HEAD AND VALVES  
RGP3684 -UN-01JAN94



RGP3684

## CYLINDER HEAD AND VALVES - CONTINUED

KEY	PART NO.	PART NAME	QTY	ENGINE SERIAL NO.	REMARKS
1	T20129	CAP	12		
2	T20077	RETAINER	24		
3	RE11410	ROTATOR	12		
4	R91822	SPRING	12		
5	R102882	SHIELD	6		(EXHAUST VALVES ONLY)
6	R110289	CAP SCREW	7		(A)
	R121491	CAP SCREW	7		(B) (MARKED "SPECIAL")
7	R110288	CAP SCREW	8		(A)
	R121490	CAP SCREW	8		(B) (MARKED "SPECIAL")
8	R88043	SCREW	6		(A) 14.288 X 134.100 MM (0.563" X 5.280")
	R121320	CAP SCREW	6		(B) (MARKED "SPECIAL")
9	15H690	PIPE PLUG	10		3/4"
10	15H584	PIPE PLUG	2		1/2"
11	AT107509	PLUG	1		
12	R84976	VALVE SEAT INSERT	6		EXHAUST
	R93350	VALVE SEAT INSERT	AR		0.25MM (.010") OS
13	R84977	VALVE SEAT INSERT	6		INTAKE
	R93349	VALVE SEAT INSERT	AR		0.25MM (.010") OS
14	34H387	SPRING PIN	1		3/16" X 3/4"
15	R76491	PIPE PLUG	1		
16	R84618	INTAKE VALVE	6		STD
	R93308	INTAKE VALVE	AR		0.08MM (.003") OS
	R93312	INTAKE VALVE	AR		0.38MM (.015") OS
	R93314	INTAKE VALVE	AR		0.76MM (.030") OS
17	R84619	EXHAUST VALVE	6		STD
	R93311	EXHAUST VALVE	AR		0.08MM (.003") OS
	R93313	EXHAUST VALVE	AR		0.38MM (.015") OS
	R93315	EXHAUST VALVE	AR		0.76MM (.030") OS
18	RE42741	CYLINDER HEAD	1		(MARKED R102932) (SUB RE58516)
	RE58516	CYLINDER HEAD	1		(MARKED R122112 OR R122491)
19	RE47336	ENGINE CYLINDER HEAD GASKET	1		
20	19H2367	CAP SCREW	1		5/8" X 3/4"
21	R110286	CAP SCREW	5		(A)
	R121489	CAP SCREW	5		(B) (MARKED "SPECIAL")
..	RG24026	KIT	1		(B) (C) (CONTAINS (26) "SPECIAL" HEAD BOLTS)

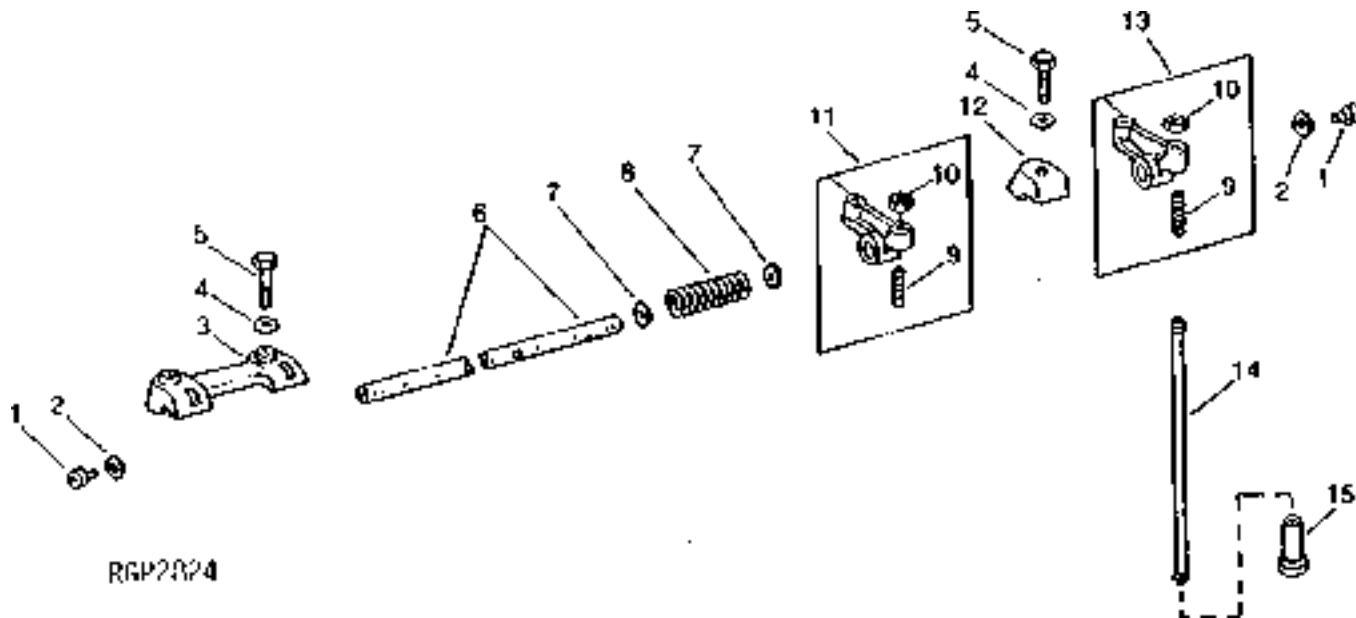
(A) USE WITH BLOCKS MARKED BELOW R122737

(B) USE WITH BLOCKS MARKED R122737 AND ABOVE

(C) ALSO CONTAINED IN NEW SHORT BLOCK ASSEMBLIES

**ROCKER ARMS, SHAFT AND PUSH RODS**

RGP2824 -UN-01JAN94



RGP2824

KEY	PART NO.	PART NAME	QTY	ENGINE SERIAL NO.	REMARKS
1	R54565	PLUG	2		
2	R26081	WASHER	2		
3	R65553	CLAMP	2		(SUB R136083)
	R136083	CLAMP	2		
4	R26559	WASHER	6		
5	19H1740	CAP SCREW	6		7/16" X 1-3/4"
6	R70826	ROCKER ARM SHAFT	1		
7	R71208	WASHER	10		
8	R26079	SPRING	5		
9	R27443	SET SCREW	12		
10	14H846	NUT	12		3/8"
11	RE24045	ROCKER ARM	6		(A) (1E, 2I, 3E, 4I, 5E, 6I) (RH)
12	R26748	CLAMP	2		
13	RE24046	ROCKER ARM	6		(A) (1I, 2E, 3I, 4E, 5I, 6E) (LH)
14	R85027	PUSH ROD	12		
15	R110126	CAM FOLLOWER	12		

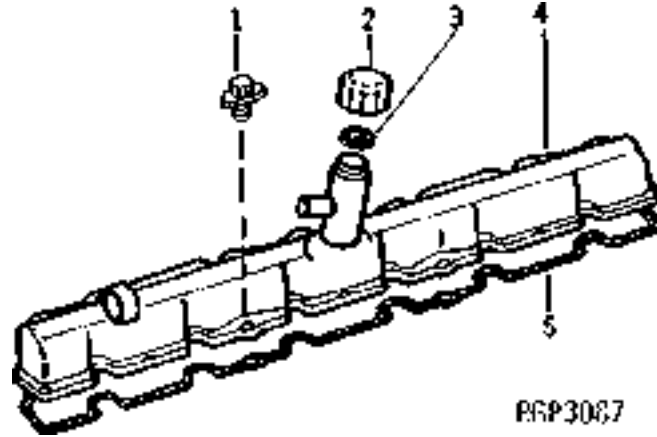
(A) - E (EXHAUST VALVE) - I (INTAKE VALVE)



# 1D4

6076 ENGINE (HH030)

**ROCKER ARM COVER**  
RGP3087 -UN-01JAN94

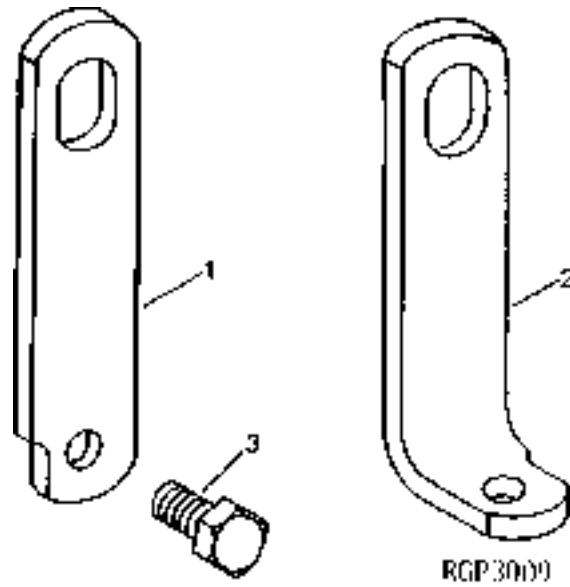


KEY	PART NO.	PART NAME	QTY	ENGINE SERIAL NO.	REMARKS
1	AR100124	SCREW, WITH WASHER	8		
2	T20294	CAP	1		
3	T20328	GASKET	1		
4	AR93173	COVER	1		
5	R49866	GASKET	1		
..	AR31790	ADHESIVE	1		

# 1D5

6076 ENGINE (HH030)

**LIFT STRAPS**  
RGP3009 -UN-01JAN94



KEY	PART NO.	PART NAME	QTY	ENGINE SERIAL NO.	REMARKS
1	R61497	STRAP	1	(FRONT)	
2	R86571	ANGLE	1	(REAR)	
3	19H1756	CAP SCREW	2	5/8" X 1-1/2"	

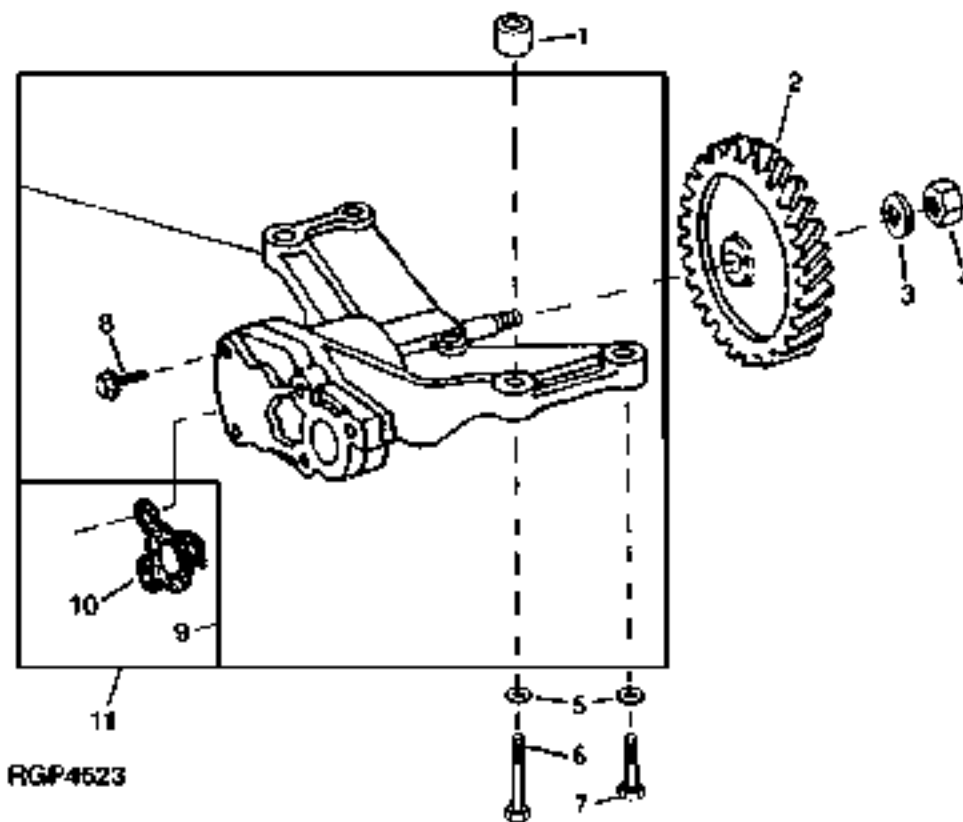
MEMORANDA

# 1D6

6076 ENGINE (HH030)

OIL PUMP  
RGP4523

-UN-10AUG95



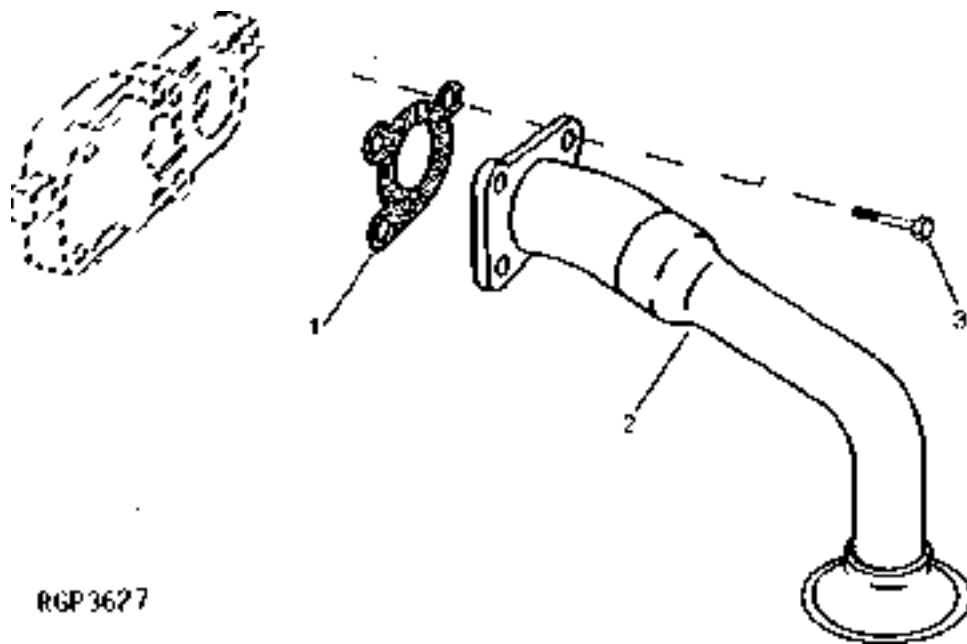
# 1D7

6076 ENGINE (HH030)

## OIL PUMP - CONTINUED

KEY	PART NO.	PART NAME	QTY	ENGINE SERIAL NO.	REMARKS
1	R62930	BUSHING	2		
2	R62938	GEAR	1		
3	T21242	WASHER	1		
4	14H826	NUT	1		1/2", (SUB FOR R79187)
5	R57696	WASHER	4		
6	19H2549	CAP SCREW	2		3/8" X 1-7/8"
7	19H3219	CAP SCREW	2		3/8" X 1-3/8"
8	R104628	CAP SCREW	5		
9	RE62723	OIL PUMP	1		(SUB FOR RE39889 OR RE52277, APPL) (SUB RE63115)
10	R100569	GASKET	1		
11	RE63115	OIL PUMP	1		(MARKED R124746)

**ENGINE OIL PUMP INTAKE**  
RGP3627 -UN-01JAN94



RGP3627

KEY	PART NO.	PART NAME	QTY	ENGINE SERIAL NO.	REMARKS
1	R100569	GASKET	1		
2	RE38828	OIL PUMP INTAKE	1	(SUB RE60550)	
	RE60550	OIL PUMP INTAKE	1		
3	R104628	CAP SCREW	3		

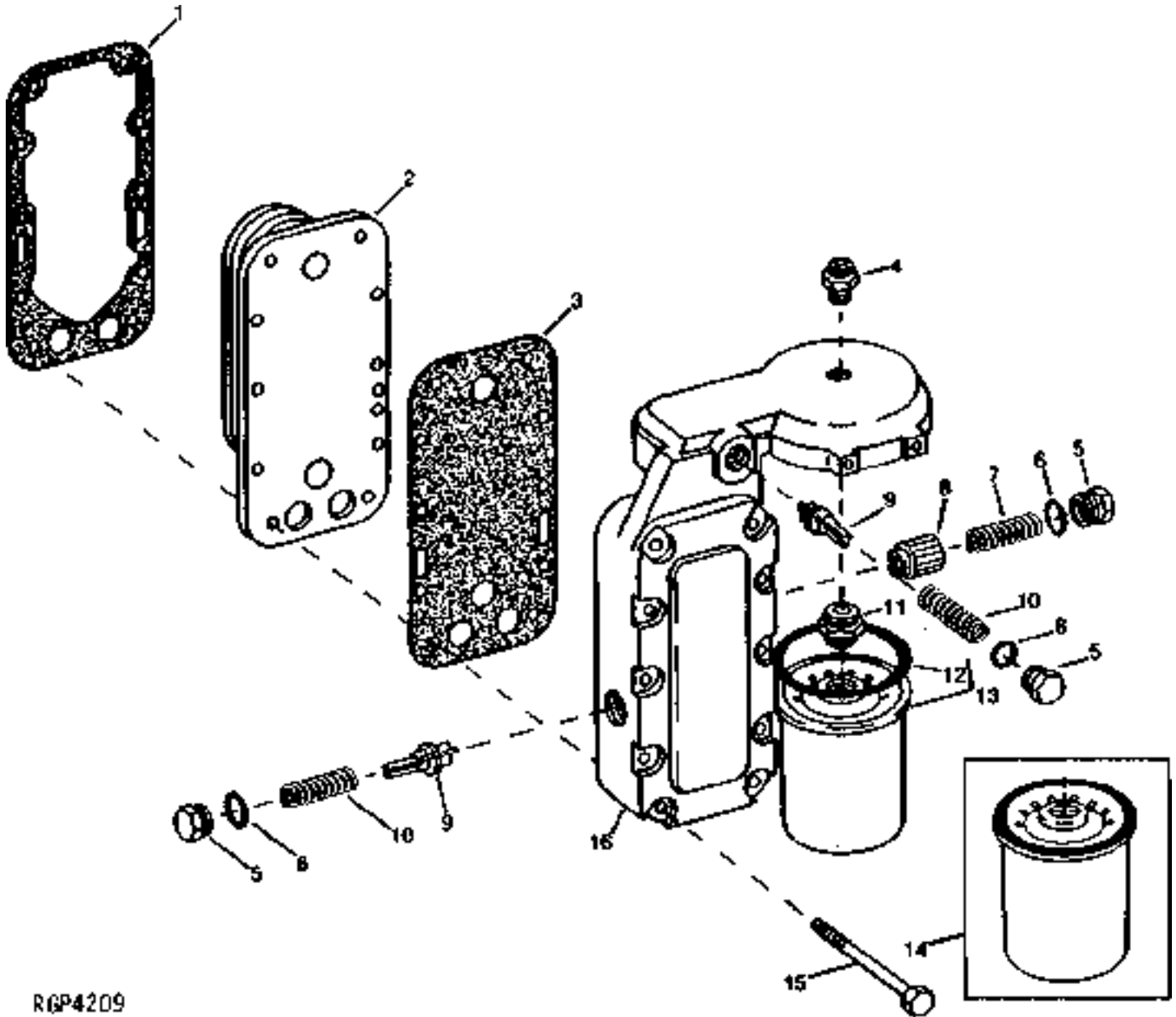
MEMORANDA

# 1D9

6076 ENGINE (HH030)

## ENGINE OIL COOLER, HOUSING AND FILTER

RGP4209 -UN-01JAN94



RGP4209



# 1D10

6076 ENGINE (HH030)

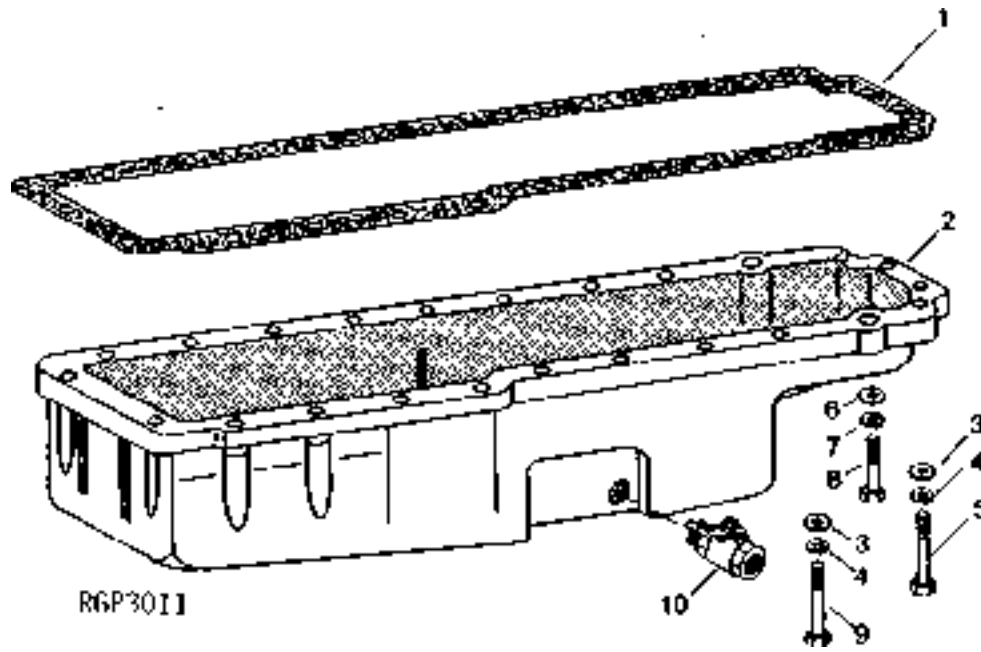
**ENGINE OIL COOLER, FILTER HOUSING AND FILTER - CONTINUED**

KEY	PART NO.	PART NAME	QTY	ENGINE SERIAL NO.	REMARKS
1	R94618	GASKET	1	-547515	(SUB R128557)
	R128557	GASKET	1	547516-	
2	RE36367	OIL COOLER	1		
3	R94619	GASKET	1	-547515	(SUB R128558)
	R128558	GASKET	1	547516-	
4	A4925R	FITTING	1		
5	R134727	PLUG	3		(SUB FOR R100499)
6	U17409	O-RING	3		
7	R102844	SPRING	1		(SUB R500330)
	R500330	SPRING	1		
8	R94615	RELIEF VALVE	1		(SUB R124186)
	R124186	RELIEF VALVE	1		
9	R108867	VALVE	2		(SUB R500055)
	R500055	VALVE	2		
10	R98064	SPRING	2		
11	R104621	ADAPTER	1		
12	R43660	PACKING	1		(USE WITH RE57394)
13	RE57394	OIL FILTER	1		(MARKED RE57394)
14	RE46380	OIL FILTER	1		(MARKED RE46380) (SUB RE57394)
15	R104862	CAP SCREW	10		
16	RE39890	HOUSING	1		

# 1D11

6076 ENGINE (HH030)

**OIL PAN**  
RGP3011 -UN-01JAN94



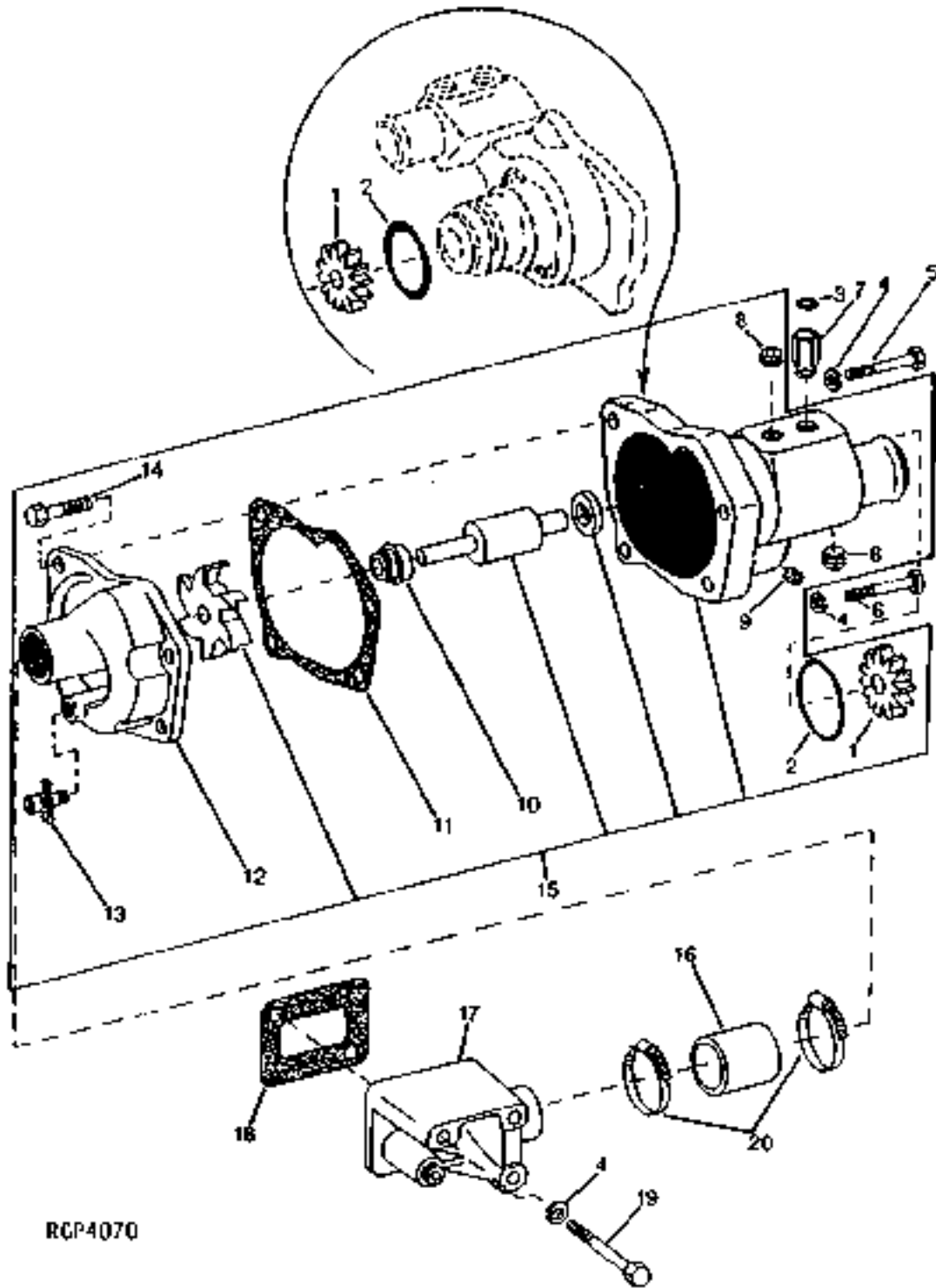
KEY	PART NO.	PART NAME	QTY	ENGINE SERIAL NO.	REMARKS
1	R49377	GASKET	1		
2	R94338	OIL PAN	1		
3	24H1305	WASHER	22	13/32" X 13/16" X 0.065"	
4	12H304	LOCK WASHER	22	3/8"	
5	19H3485	CAP SCREW	4	3/8" X 2"	
6	24H1756	WASHER	2	1/2" X 1" X 0.060"	
7	12H301	LOCK WASHER	2	1/2"	
8	19H2473	CAP SCREW	2	1/2" X 1-3/4"	
9	19H3267	CAP SCREW	18	3/8" X 1-5/8"	
10	RE32856	VALVE	1		

MEMORANDA

# 1D12

6076 ENGINE (HH030)

**WATER PUMP**  
RGP4070 -UN-01JAN94



RGP4070

# 1D13

6076 ENGINE (HH030)

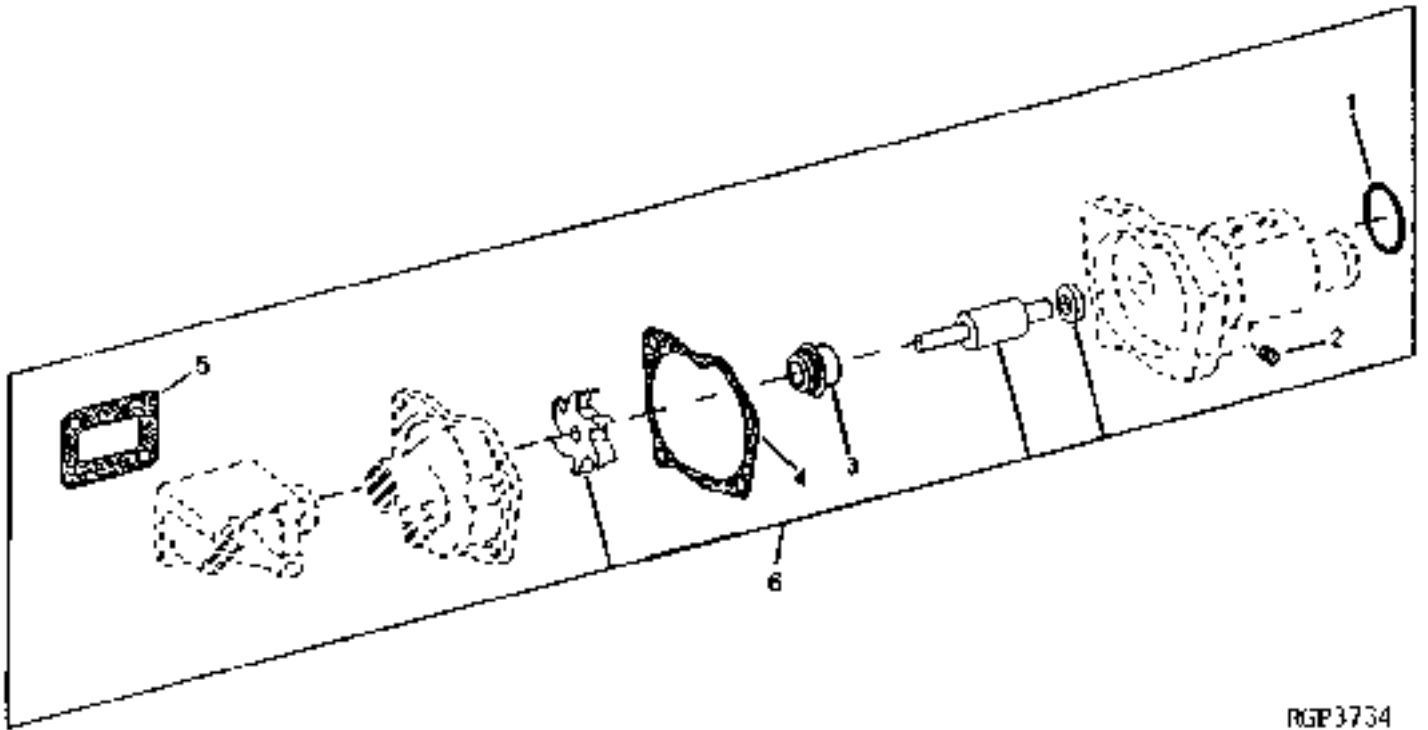
## WATER PUMP - CONTINUED

KEY	PART NO.	PART NAME	QTY	ENGINE SERIAL NO.	REMARKS
1	R104591	GEAR	1		
2	R101042	O-RING	1		
3	R72328	O-RING	1		
4	12H303	LOCK WASHER	4		(NO LONGER REQUIRED WITH R105732, R112267 OR R112269)
5	R112267	CAP SCREW	1		
6	R104861	CAP SCREW	1		
7	R41285	ADAPTER	1		
8	15H624	PIPE PLUG	2	1/2"	
9	R100369	FILTER	2		
10	RE69839	SEAL	1		(SUB FOR RE45337)
11	R100367	GASKET	1		
12	R100364	COVER	1		
13	AT13740	DRAIN VALVE	1		
14	R112268	CAP SCREW	4		(SUB FOR R101043)
15	RE68230	WATER PUMP	1		(MARKED RE39121 OR RE68230 - WITH RAISED X) (SUB FOR RE39121)
16	R96622	HOSE	1		
17	R96606	COVER	1		
18	R96616	GASKET	1		
19	R105732	CAP SCREW	2		
20	RE67208	CLAMP	2		(SUB FOR AR40418 OR RE43166, APPL.)
..	RG28369	WATER PUMP	1		(REMANUFACTURED)

# 1D14

6076 ENGINE (HH030)

**WATER PUMP REPAIR KIT**  
RGP3734 -UN-01JAN94



RGP3734

KEY	PART NO.	PART NAME	QTY	ENGINE SERIAL NO.	REMARKS
1	R101042	O-RING	1		
2	R100369	FILTER	2		(WEEP HOLE)
3	RE69839	SEAL	1		(SUB FOR RE45337)
4	R100367	GASKET	1		
5	R96616	GASKET	1		
6	RE68316	KIT	1		(USE WITH RE39121 OR RE68230 - WITH RAISED X) (SUB FOR RE42107 OR RE58350)

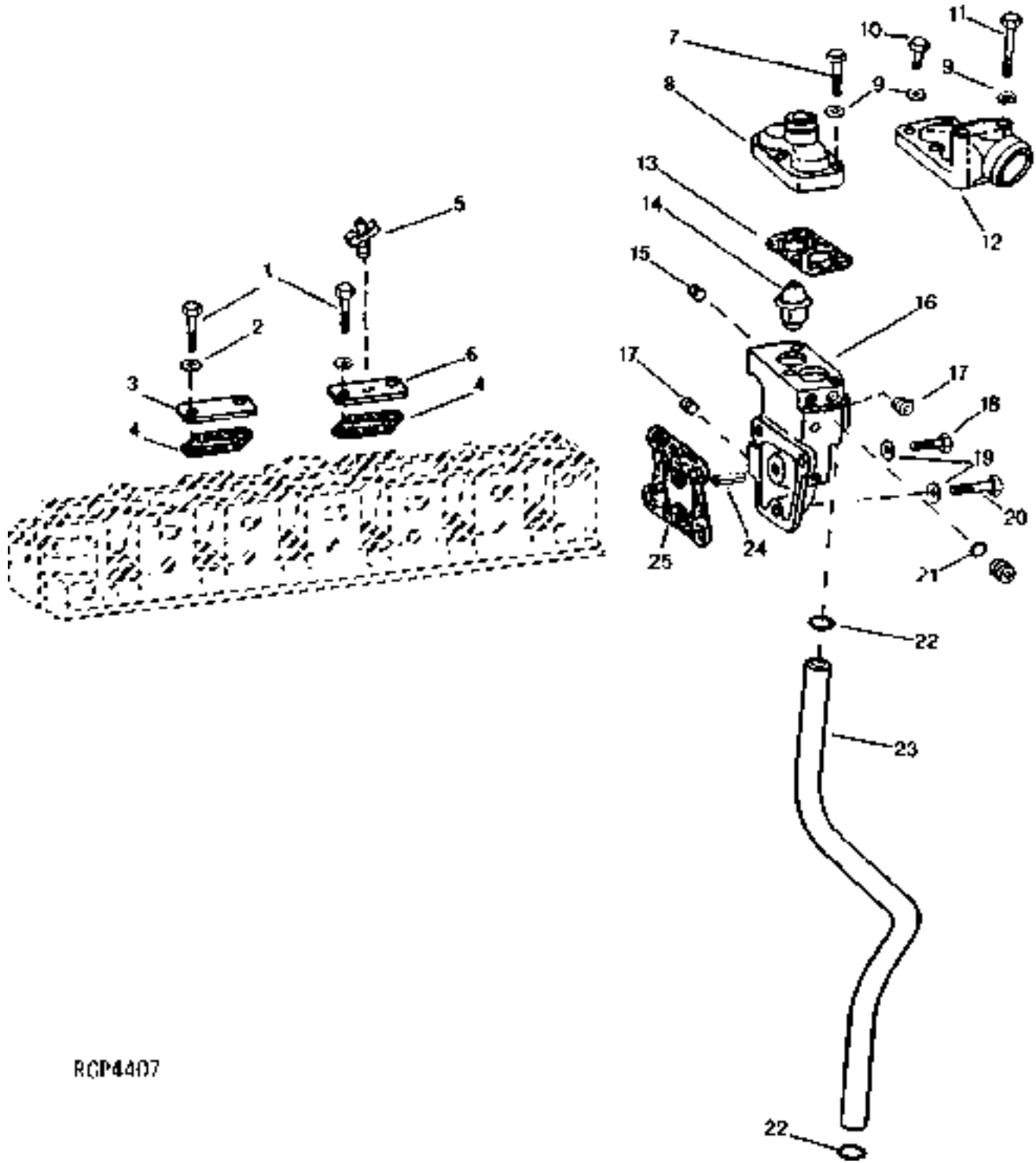
MEMORANDA

# 1D15

6076 ENGINE (HH030)

## WATER MANIFOLD AND THERMOSTAT

RGP4407 -UN-02FEB94



RGP4407



# 1D16

6076 ENGINE (HH030)

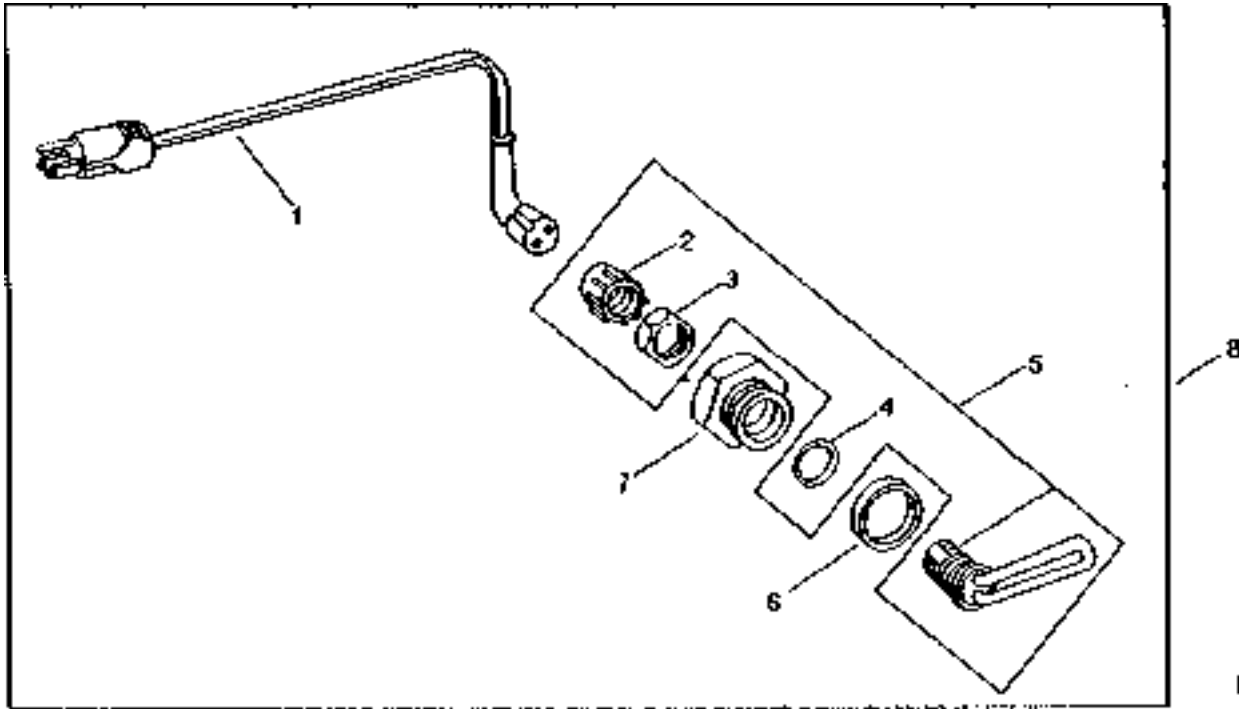
## WATER MANIFOLD AND THERMOSTAT - CONTINUED

KEY	PART NO.	PART NAME	QTY	ENGINE SERIAL NO.	REMARKS
1	19H2284	CAP SCREW	4		3/8" X 7/8"
2	24H1305	WASHER	4		13/32" X 13/16" X 0.065"
3	R86061	STRAP	1		
4	R88397	GASKET	2		
5	AT13740	DRAIN VALVE	1		
6	R114160	COVER	1		
7	19H3219	CAP SCREW	NA	-504979	3/8" X 1-3/8"
	19H3239	CAP SCREW	NA	504980-	3/8" X 1-1/4"
8	R86007	COVER	NA		
9	12H304	LOCK WASHER	7	-504778	3/8"
	24M7096	WASHER	NA	504779-504979	10.500 X 18 X 1.600 MM
10	19H3219	CAP SCREW	2		3/8" X 1-3/8"
11	19H2639	CAP SCREW	1		3/8" X 3-3/8"
12	R89439	COVER	1		
13	R46479	GASKET	1		
14	AR48675	THERMOSTAT	2		82°C (180°F)
15	15H690	PIPE PLUG	1		3/4"
16	R108604	MANIFOLD	1		(SUB R109859, R77673 AND R82719)
	R109859	MANIFOLD	1		(MARKED R109859) (ALSO ORDER R77673 AND R82719)
17	15H624	PIPE PLUG	2		1/2"
18	19H3175	CAP SCREW	2		3/8" X 3-5/8"
19	R57696	WASHER	3		
20	19H3217	CAP SCREW	1		3/8" X 1-3/4"
21	R77673	O-RING	1		
	.....	FITTING PLUG	NA		
22	R72328	O-RING	2		
23	R108630	TUBE	1		
24	34H329	SPRING PIN	1		
25	R86062	GASKET	1		
..	R41285	ADAPTER	1		(R108630 TO WATER PUMP)

# 1D17

6076 ENGINE (HH030)

**ENGINE COOLANT HEATER**  
RGP546 -UN-01JAN94

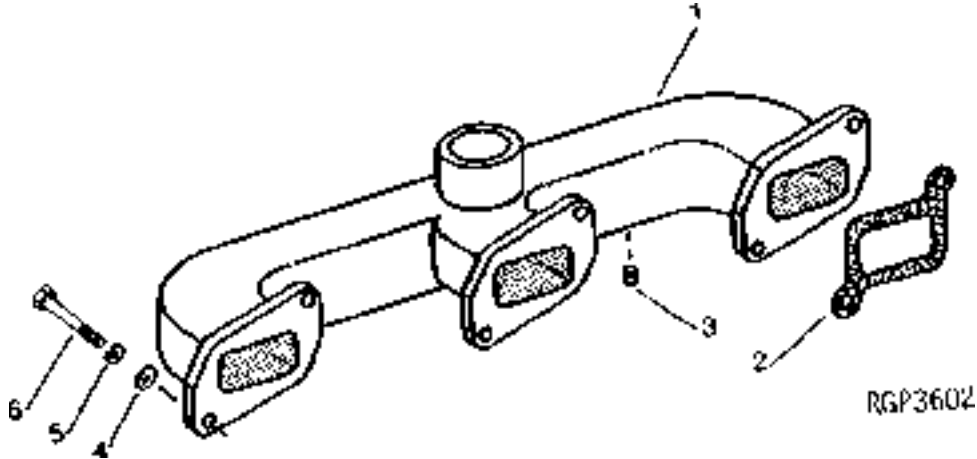


KEY	PART NO.	PART NAME	QTY	ENGINE SERIAL NO.	REMARKS
1	AR50411	WIRING LEAD	1		
2	R54510	CAP	1		
3	R54511	NUT	1		
4	R47693	GASKET	1		
5	AR62399	COOLANT HEATER	1		(110 VOLT) (SUB RE504122)
	RE504122	COOLANT HEATER	1		
6	U13639	O-RING	1		
7	R54123	ADAPTER	1		
8	AR62492	COOLANT HEATER	1		

# 1D18

6076 ENGINE (HH030)

**INTAKE MANIFOLD**  
**(ENGINE SERIAL NO. -520021)**  
 RGP3602 -UN-01JAN94

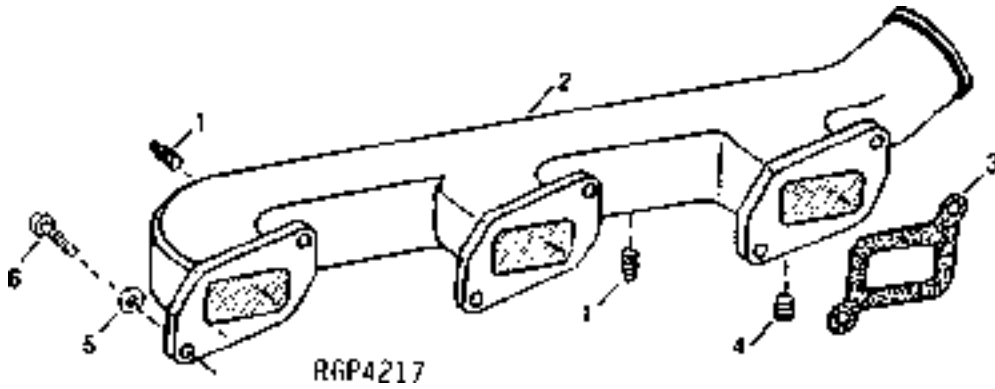


KEY	PART NO.	PART NAME	QTY	ENGINE SERIAL NO.	REMARKS
1	R89790	INTAKE MANIFOLD	1	(SUB R104592, R134429 AND 15H690)	
	R104592	PIPE PLUG	1		
	R134429	INTAKE MANIFOLD	1		
	15H690	PIPE PLUG	1		
2	R120646	GASKET	3	(SUB FOR R102838, APPL)	
3	15H638	PIPE PLUG	1	1/8"	
4	24H1682	WASHER	6	13/32" X 7/8" X 0.120"	
5	12H304	LOCK WASHER	6	3/8", (NO LONGER REQUIRED)	
6	19H1651	CAP SCREW	6	3/8" X 1-1/2"	
..	T32231	CLAMP	1	(LOWER CENTER)	

# 1D19

6076 ENGINE (HH030)

INTAKE MANIFOLD  
(ENGINE SERIAL NO. 520022- )  
RGP4217 -UN-01JAN94



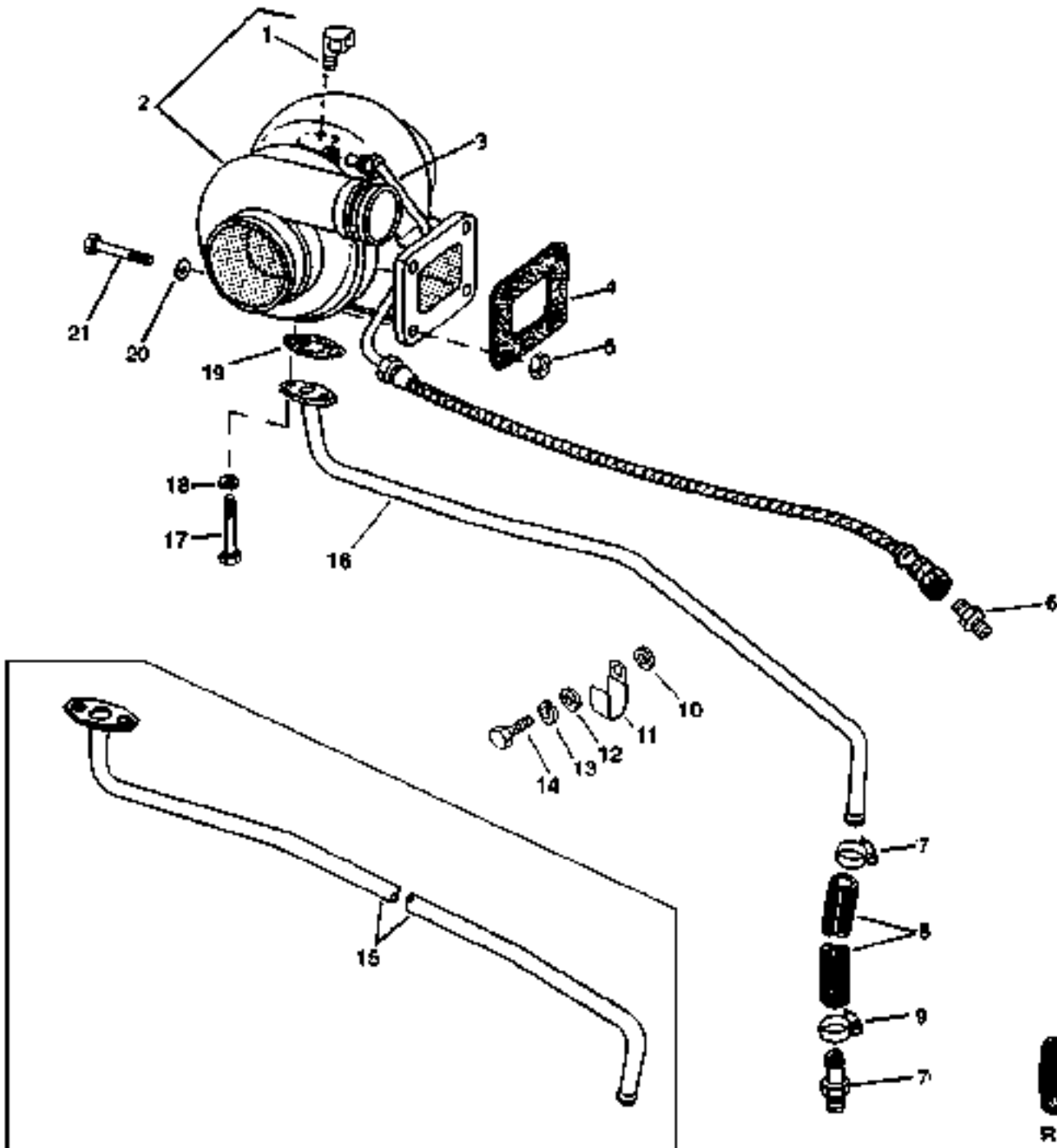
KEY	PART NO.	PART NAME	QTY	ENGINE SERIAL NO.	REMARKS
1	15H666	PIPE PLUG	1		3/8", (FRONT)
	15H690	PIPE PLUG	1		3/4", (REAR)
2	R96518	INTAKE MANIFOLD	1	-571863	(SUB RE68396, R115393, R104592 AND 15H690, APPL)
	R115393	INTAKE MANIFOLD	1	571864-	(SUB FOR R102838, APPL)
3	R120646	GASKET	3		
4	R104592	PIPE PLUG	1		
5	24H1682	WASHER	6		13/32" X 7/8" X 0.120"
6	19H1651	CAP SCREW	6		3/8" X 1-1/2"
..	T32231	CLAMP	1		(LOWER CENTER)

MEMORANDA

# 1D20

6076 ENGINE (HH030)

TURBOCHARGER AND OIL LINES  
(ENGINE SERIAL NO. 500000- )  
RGP4654 -UN-27MAR96



**TURBOCHARGER AND OIL LINES - CONTINUED**  
 (ENGINE SERIAL NO. 500000- )

KEY	PART NO.	PART NAME	QTY	ENGINE SERIAL NO.	REMARKS
1	T11180	ELBOW FITTING	1		
2	RE36285	TURBOCHARGER	1	-565536	(A) (MARKED RE25998) (USE WITH RE47396, RE57372 OR RE44518) (REMANUFACTURED) (GARRETT/AIRESEARCH)
	RE66554	TURBOCHARGER	1	565537-XXXXXX	(B) (MARKED RE65718) (USE WITH RE63514)
	RE70923	TURBOCHARGER	1	XXXXXX-	(B) (MARKED RE70922 OR RE70105) (USE WITH RE63514)
3	RE55511	OIL LINE	1	-571863	(INLET) (SUB FOR RE43978) (ALSO ORDER T28862, 19H1936 AND 24M7096)
	RE68844	OIL LINE	1	571864-	(INLET)
4	R92097	GASKET	1		
5	E55662	FLANGE NUT	4		
6	A4925R	FITTING	1		
7	TY22467	CLAMP	2		(SUB FOR AR21839)
8	R87682	HOSE	1		
9	R39503	FITTING	1		
10	28H3376	SPACER	1		0.364" X 0.540" X 9/16", (BEHIND T74416)
11	T74416	CLAMP	1		(SUB FOR R72853, APPL)
12	24H1136	WASHER	1		11/32" X 11/16" X 0.065"
13	12H303	LOCK WASHER	1		5/16", (NO LONGER REQUIRED WITH 19H2661)
14	19H1849	CAP SCREW	1		5/16" X 1-1/4"
15	RE25665	OIL LINE	1	-571863	(RETURN) (SUB RE68396)
16	RE68396	OIL LINE	1	571864-	(RETURN)
17	R122618	SCREW	2		
18	12H304	LOCK WASHER	2		3/8", (NO LONGER REQUIRED)
19	R105346	GASKET	1		
20	24H1305	WASHER	8		13/32" X 13/16" X 0.065"
21	R100747	SELF-LOCKING SCREW	4		

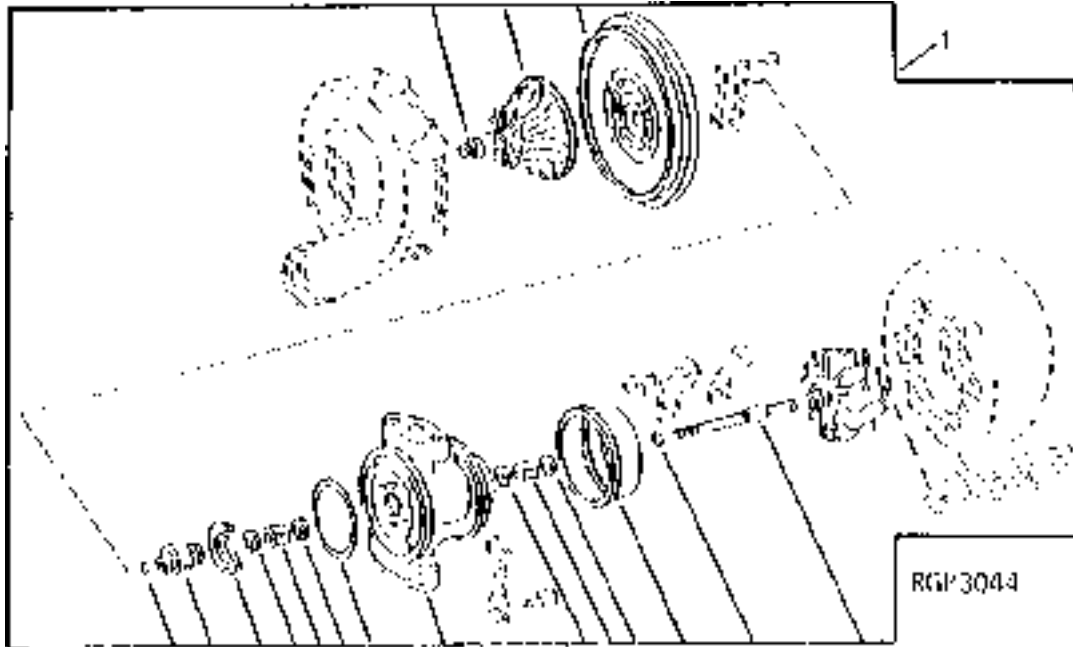
(A) 6076HH031,032

(B) 6076HH034,035, 036

**TURBOCHARGER CENTER HOUSING WITH ROTATING PARTS**

(AIRESEARCH)

RGP3044 -UN-01JAN94



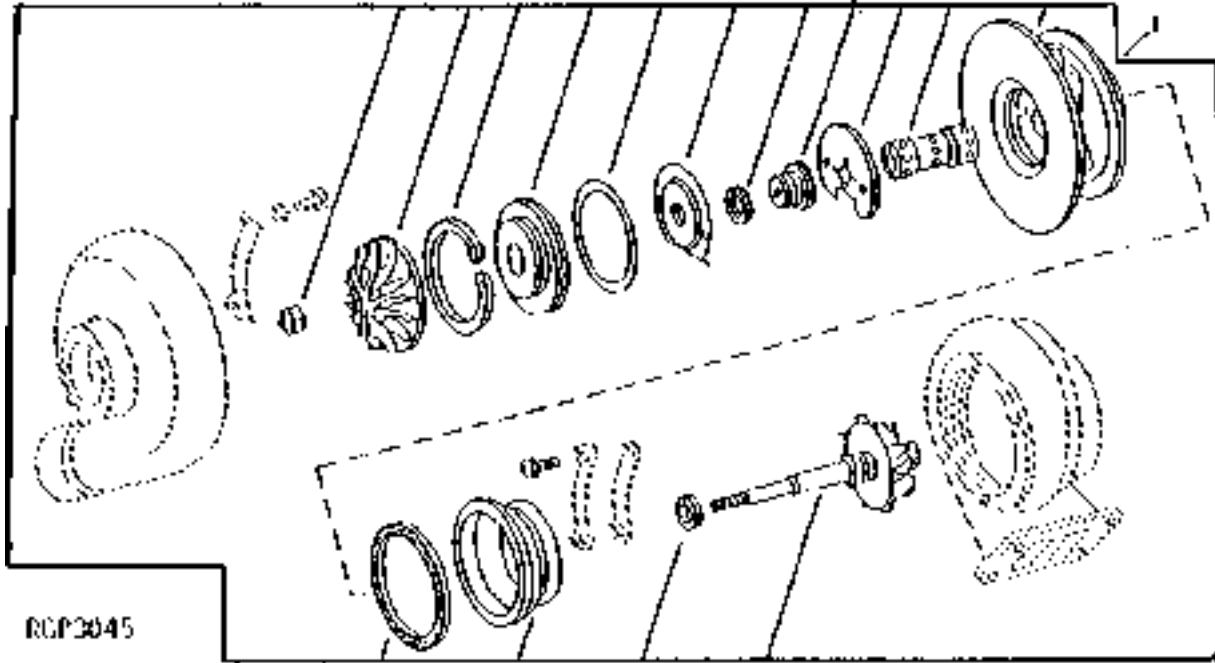
KEY	PART NO.	PART NAME	QTY	ENGINE SERIAL NO.	REMARKS
1	RE29488	HOUSING	1		(SUB RE31258) (USE WITH RE25998)
	RE31258	TURBOCHARGER	1		(REMANUFACTURED) (AIRESEARCH)
..	RE38346	KIT	1		(NLA)



**TURBOCHARGER CENTER HOUSING WITH ROTATING PARTS**

(SCHWITZER)

RGP3045 -UN-01JAN94

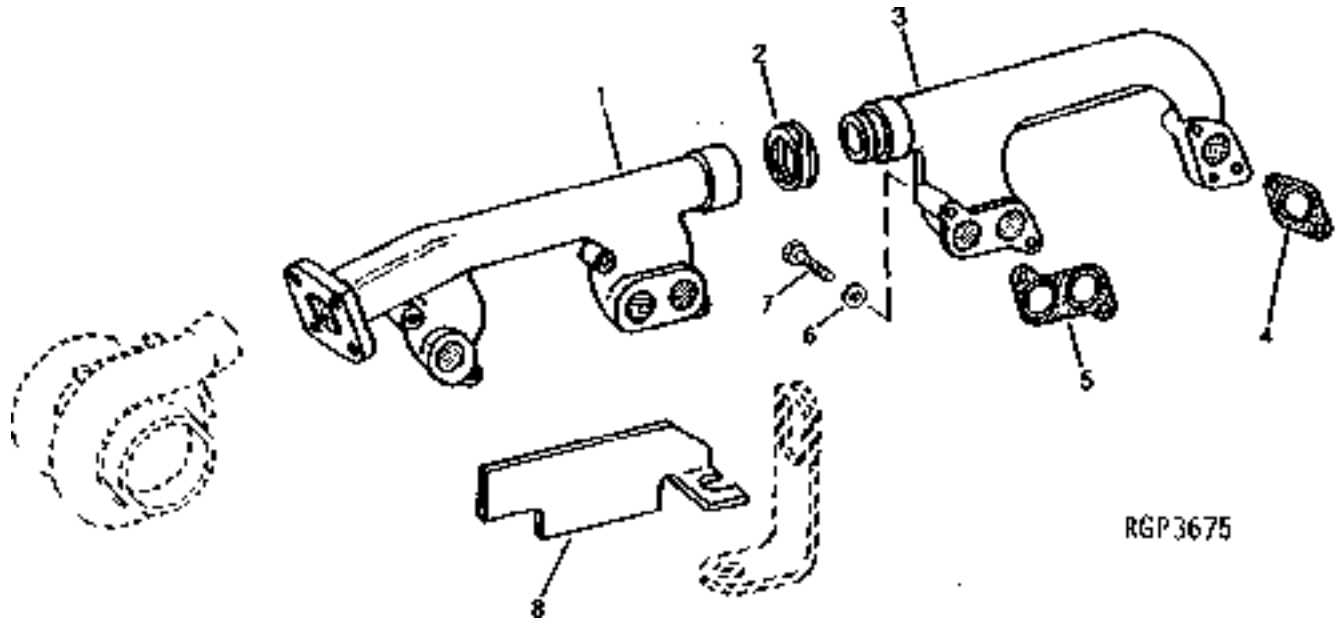


KEY	PART NO.	PART NAME	QTY	ENGINE SERIAL NO.	REMARKS
1	RE38331	HOUSING	1	(SUB RE38345)	
..	RE38345	TURBOCHARGER	1	(REMANUFACTURED) (SCHWITZER)	
..	RE38288	KIT	1	(NO LONGER AVAILABLE)	

# 1D24

6076 ENGINE (HH030)

**EXHAUST MANIFOLDS**  
RGP3675 -UN-01JAN94

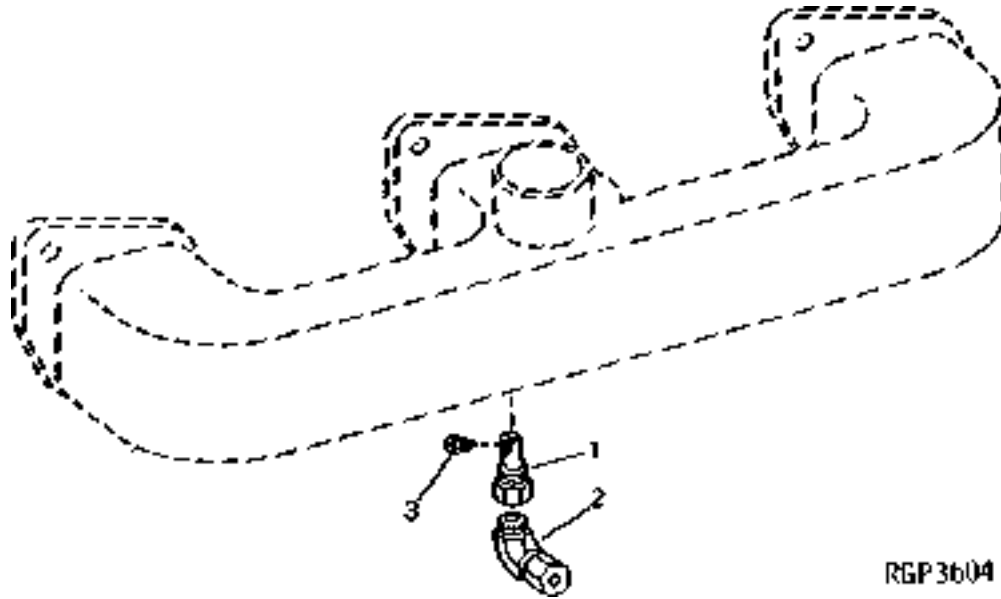


KEY	PART NO.	PART NAME	QTY	ENGINE SERIAL NO.	REMARKS
1	R91519	MANIFOLD	1	(REAR)	
2	R122595	RING	1	(SUB FOR R58109)	
3	R69936	EXHAUST MANIFOLD	1	(FRONT)	
4	R83021	GASKET	2		
5	R83020	GASKET	2		
6	R63845	WASHER	8		
7	19H2128	CAP SCREW	8	3/8" X 3"	
8	H144260	SHIELD	1		

# 1D25

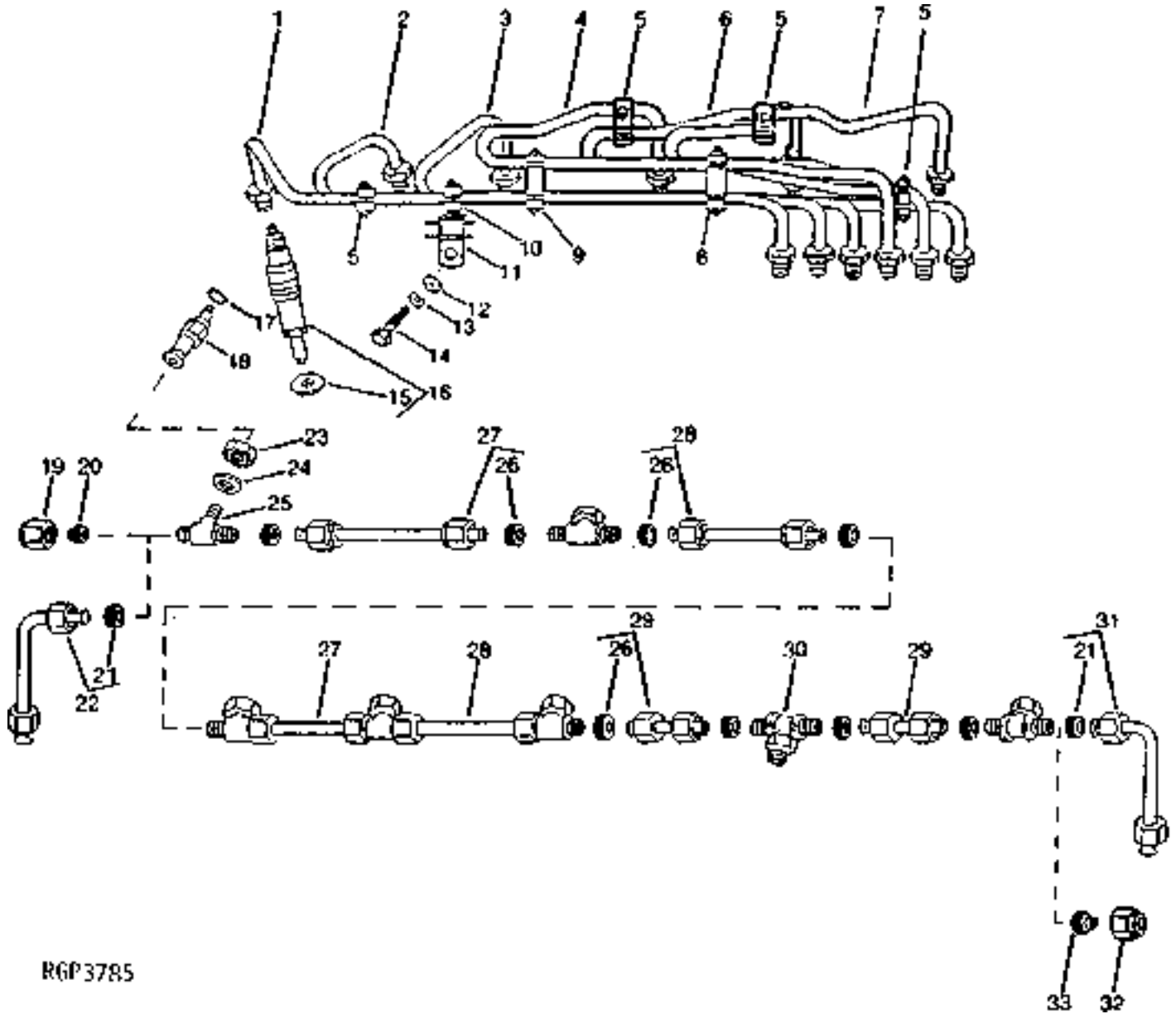
6076 ENGINE (HH030)

**ETHER STARTING FITTINGS**  
RGP3604 -UN-01JAN94



KEY	PART NO.	PART NAME	QTY	ENGINE SERIAL NO.	REMARKS
1	R47160	NOZZLE HOLDER	1		
2	RE21790	ELBOW FITTING	1		
3	R28583	NOZZLE	1		

**FUEL INJECTION NOZZLES AND LINES**  
**(6076HH030 OR HH034)**  
RGP3785 -UN-01JAN94



RGP3785

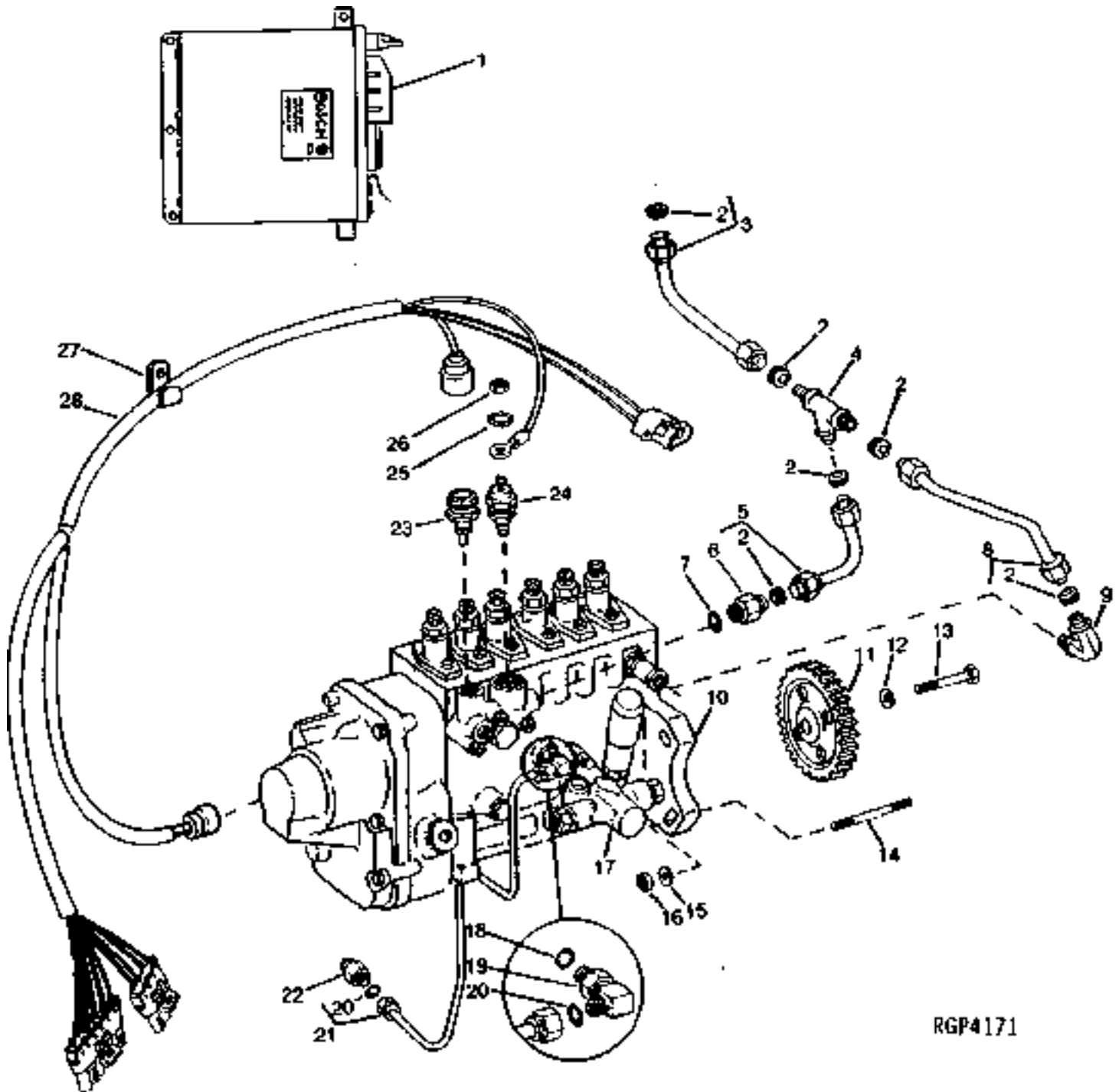
**FUEL INJECTION NOZZLES AND LINES - CONTINUED**  
**(6076HH030 OR HH034)**

KEY	PART NO.	PART NAME	QTY	ENGINE SERIAL NO.	REMARKS
1	RE47431	FUEL LINE	1	NO. 6	
2	RE47430	FUEL LINE	1	NO. 5	
3	RE47429	FUEL LINE	1	NO. 4	
4	RE47428	FUEL LINE	1	NO. 3	
5	R59305	STRAP	1		
	R58186	CLAMP	2		
	R61144	STRAP	1		
	21H1463	CAP SCREW	1	0.190" X 7/8"	
6	RE47427	FUEL LINE	1	NO. 2	
7	RE47426	FUEL LINE	1	NO. 1	
8	R59298	STRAP	1		
	R71212	CLAMP	1		
	R59297	HALF CLAMP	2		
	R61145	STRAP	1		
	R71398	SCREW	2	0.190" X 1-1/2"	
9	R59305	STRAP	1		
	R74030	CLAMP	1		
	R74804	CLAMP	1		
	R58186	CLAMP	1		
	R61144	STRAP	1		
	R71398	SCREW	1	0.190" X 1-1/2"	
10	R59298	STRAP	1		
	R59297	HALF CLAMP	2		
	21H1463	CAP SCREW	2	0.190" X 7/8"	
11	RE47120	ABSORBER	1		
12	24H1884	WASHER	1	13/32" X 13/16" X 0.120"	
13	12M7066	LOCK WASHER	1	10.200 MM, (NO LONGER REQUIRED)	
14	19M7166	CAP SCREW	1	M10 X 20	
15	R84472	WASHER	6	7.360 X 18.160 X 2 MM (0.290" X 0.715" X 0.079")	
16	RE25253	INJECTION NOZZLE	6	(DENSO) (SUB RE52113 AND R84472)	
	RE52113	INJECTION NOZZLE	6		
	R84472	WASHER	6		
17	R77551	O-RING	6		
18	R87082	FITTING	6	(ALSO ORDER R77551)	
19	R51937	TUBE NUT	NA		
20	AR85519	PLUG	NA		
21	R51936	PACKING	1		
22	AR104650	FUEL LINE	1		
23	R79604	TUBE NUT	6		
24	R79605	WASHER	6		
25	R79606	TEE FITTING	6		
26	R51936	PACKING	12		
27	RE15807	FUEL LINE	2		
28	RE15808	FUEL LINE	2		
29	RE36421	FUEL LINE	2		
30	R97061	TEE FITTING	1		
31	AR104650	FUEL LINE	NA		
32	R51937	TUBE NUT	1		
33	AR85519	PLUG	1		

# 1E3

6076 ENGINE (HH030)

FUEL INJECTION PUMP, LUBE LINE AND ENGINE CONTROLLER (6076HH030)  
(ENGINE SERIAL NO. 500000-536793)  
(EARLY DESIGN)  
RGP4171 -UN-20OCT94



RGP4171

FUEL INJECTION PUMP, LUBE LINE AND ENGINE CONTROLLER (6076HH030) - CONTINUED  
 (ENGINE SERIAL NO. 500000-536793)  
 (EARLY DESIGN)

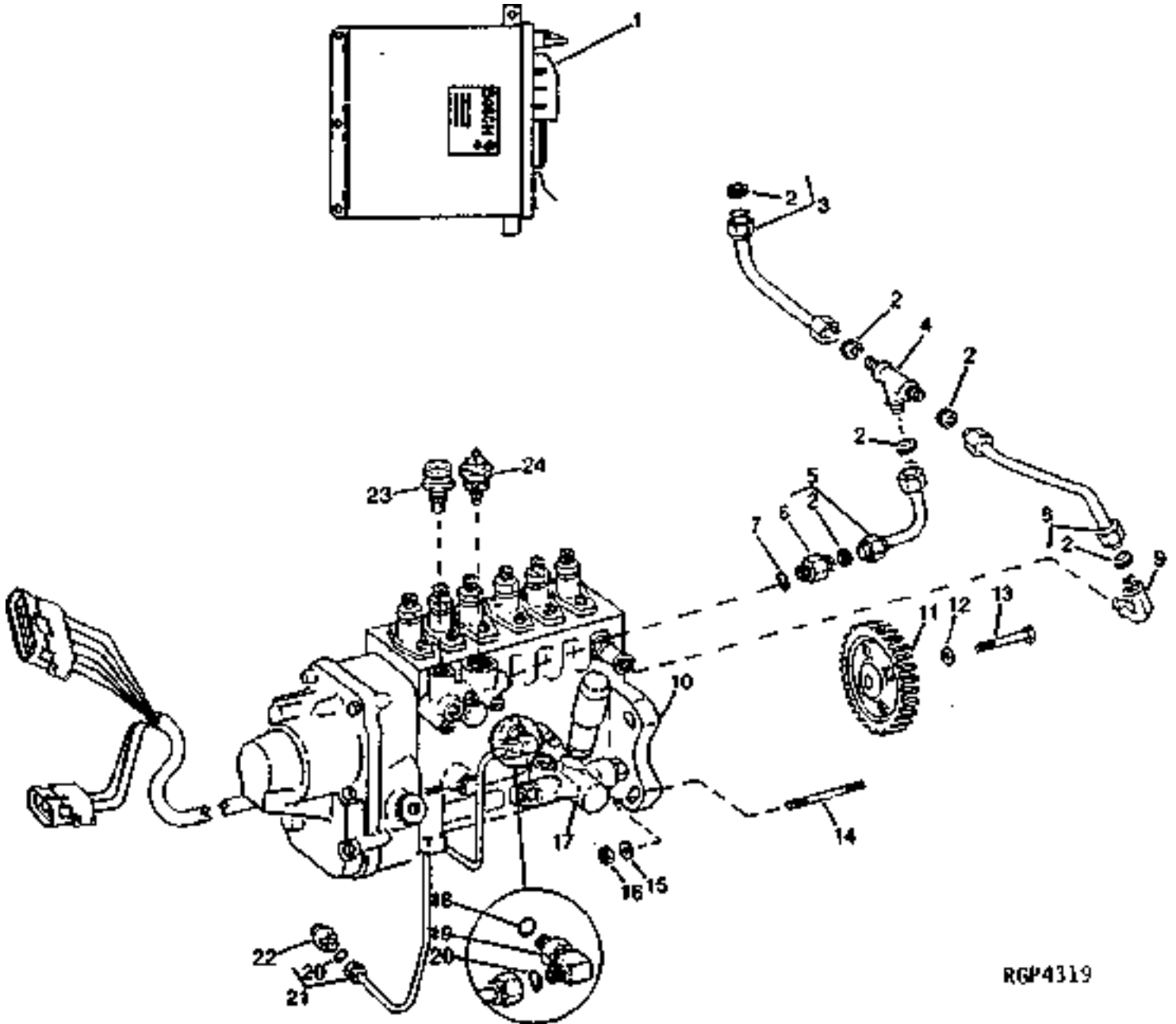
KEY	PART NO.	PART NAME	QTY	ENGINE SERIAL NO.	REMARKS
1	RE48731	ENGINE CONTROLLER	1	(MARKED RE28320)	(SUB RE502146)
	RE502146	ENGINE CONTROLLER	1	(MARKED RE502404)	
2	R51936	PACKING	6		
3	RE30920	FUEL LINE	1		
4	R97061	TEE FITTING	1		
5	RE30833	FUEL LINE	1		
6	R91824	FITTING	1		
7	R48693	WASHER	1		
8	RE35684	FUEL LINE	1		
9	R67364	ELBOW FITTING	1		
10	RE47396	FUEL INJECTION PUMP	1	(A) (ROBERT BOSCH)	(PES6P120A720RS3184)
11	R104590	GEAR	1		
12	R63845	WASHER	4		
13	19H3690	CAP SCREW	4	3/8" X 3/4",	(SUB R121195)
	R121195	CAP SCREW	4		
14	R55396	STUD	4		
15	M72490	WASHER	4	(SUB FOR R42729)	
16	14H1090	NUT	4	(SUB FOR E55662.	APPL.)
17	RE46252	FUEL PUMP	1		
18	R73858	O-RING	1		
19	AR88903	ELBOW FITTING	1		
20	R67264	PACKING	2		
21	RE43369	OIL LINE	1		
22	R76822	FITTING	1		
23	RE28217	FUEL TEMPERATURE SENSOR	1	(TEMPERATURE)	
	R98500	O-RING	1		
24	R89014	SOLENOID	1	(SHUT-OFF HOUSING)	
	R99047	O-RING	1		
	RE24468	SHAFT	1	(SPEED CONTROL SENSOR SHAFT WITH ARM)	
	RE30295	SENSOR	1	(ROTARY POSITION SENSOR)	
	R86457	SUPPORT	1	(SUPPORT SENSOR)	
	R94648	ANGLE	1		
	21H1390	SCREW	2		
25	12H296	WASHER	1	0.216"	
26	14M7297	NUT	1	M5	
27	R72853	CLAMP	1		
28	RE31504	WIRING HARNESS	1		
..	R53899	WASHER	1		

(A) "SEE YOUR AUTHORIZED PUMP REPAIR STATION FOR PARTS NOT LISTED"

# 1E5

6076 ENGINE (HH030)

FUEL INJECTION PUMP, LUBE LINE AND ENGINE CONTROLLER (6076HH030 OR HH034)  
(ROBERT BOSCH)  
(ENGINE SERIAL NO. 536794- )  
(LATE DESIGN)  
RGP4319 -UN-01JAN94



RGP4319



# 1E6

6076 ENGINE (HH030)

**FUEL INJECTION PUMP, LUBE LINE AND ENGINE CONTROLLER (6076HH030, HH034) - CONTINUED**  
**(ROBERT BOSCH)**  
**(ENGINE SERIAL NO. 536794- )**  
**(LATE DESIGN)**

KEY	PART NO.	PART NAME	QTY	ENGINE SERIAL NO.	REMARKS
1	RE48731	ENGINE CONTROLLER	1	-565536	(MARKED RE28320) (ROBERT BOSCH) (6076HH030)
	RE66548	ENGINE CONTROLLER	1	565537-587620	(MARKED RE28320) (SUB RE501248) (ROBERT BOSCH) (6076HH034)
	RE501248	ENGINE CONTROLLER	1		
	RE500109	ENGINE CONTROLLER	1	587621-	(MARKED RE500109) (FOCUS) (6076HH034)
2	R51936	PACKING	6		
3	RE30920	FUEL LINE	1		
4	R97061	TEE FITTING	1		
5	RE30833	FUEL LINE	1		
6	R91824	FITTING	1		
7	R48693	WASHER	1		
8	RE35684	FUEL LINE	1		
9	R67364	ELBOW FITTING	1		
10	RE57372	FUEL INJECTION PUMP	1		(A) (ROBERT BOSCH) (PES6P120A720RS3184) (SUB RE63514 AND RE34128, APPL)
	RE63514	FUEL INJECTION PUMP	1		(A) (ROBERT BOSCH)
11	R104590	GEAR	1		
12	R63845	WASHER	4		
13	19H3690	CAP SCREW	4		3/8" X 3/4", (SUB R121195)
	R121195	CAP SCREW	4		
14	R114130	STUD	4		(SUB FOR R55396, APPL)
15	M72490	WASHER	4		
16	14H1090	NUT	4		(SUB FOR E55662, APPL)
17	RE46252	FUEL PUMP	1		
18	R73858	O-RING	1		
19	AR88903	ELBOW FITTING	1		
20	R67264	PACKING	2		
21	RE43369	OIL LINE	1		
22	R76822	FITTING	1		
23	RE28217	FUEL TEMPERATURE SENSOR	1		(TEMPERATURE)
	R98500	O-RING	1		
24	R89014	SOLENOID	1		(SHUT-OFF HOUSING)
	R99047	O-RING	1		
..	R53899	WASHER	1		

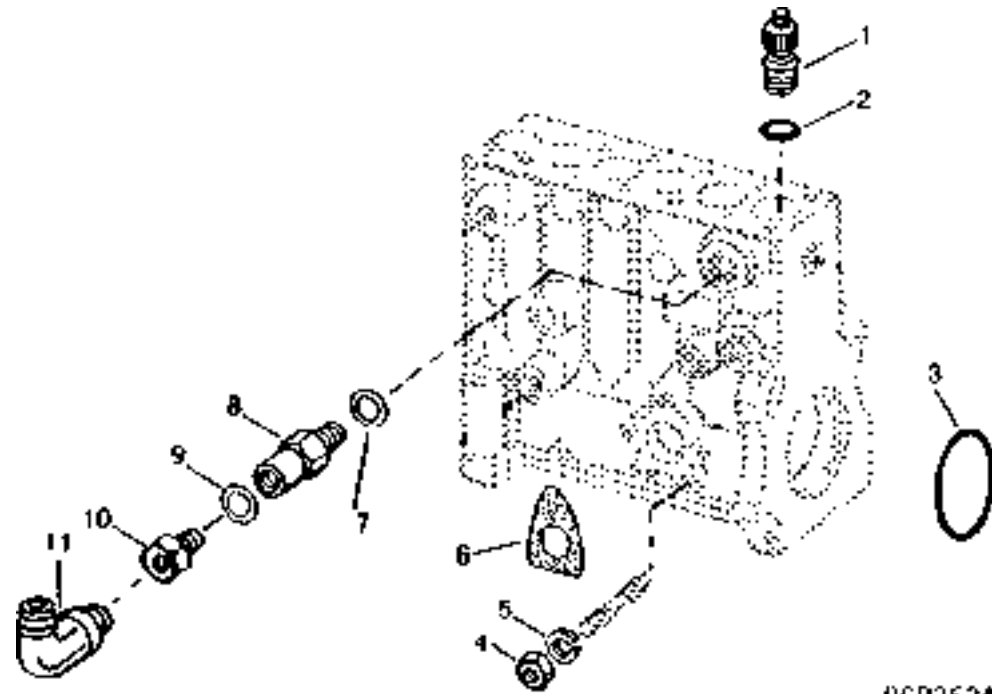
(A) "SEE YOUR AUTHORIZED PUMP REPAIR STATION FOR PARTS NOT LISTED"

# 1E7

6076 ENGINE (HH030)

## FUEL INJECTION PUMP HOUSING CONNECTORS (6076HH030, HH034)

RGP3634 -UN-01JAN94

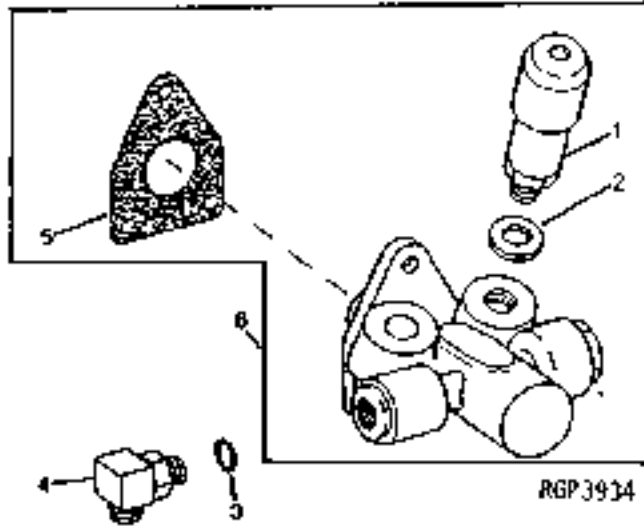


KEY	PART NO.	PART NAME	QTY	ENGINE SERIAL NO.	REMARKS
1	R99531	HOLDER	6	(NLA)	
2	T24210	O-RING	6		
3	R53884	O-RING	1		
4	T31556	NUT	3		
5	T24229	LOCK WASHER	3		
6	R67879	GASKET	1		
7	R53899	WASHER	1		
8	RE36151	CONTROL VALVE	1		
9	R53901	WASHER	1		
10	R63016	ADAPTER	1		
11	R67364	ELBOW FITTING	1		

**FUEL TRANSFER PUMP (6076HH030, HH034)**

**(ROBERT BOSCH)**

RGP3934 -UN-01JAN94

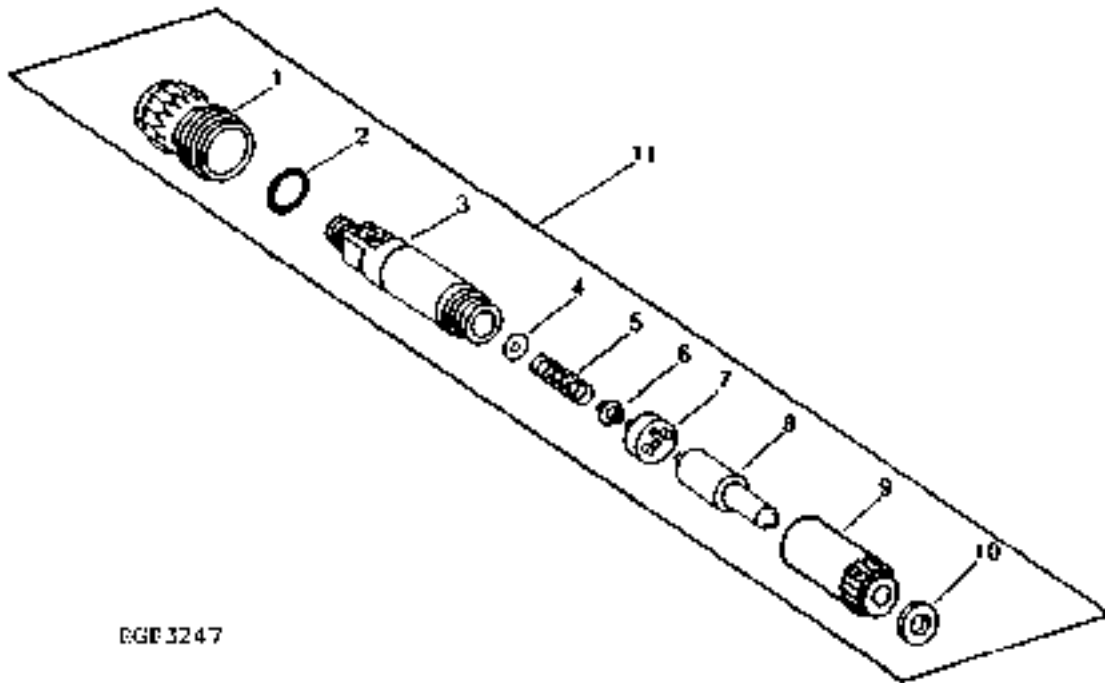


KEY	PART NO.	PART NAME	QTY	ENGINE SERIAL NO.	REMARKS
1	RE48048	HAND PRIMER	1		
2	R54025	WASHER	2		
3	R26448	O-RING	2		
4	RE10258	ELBOW FITTING	1		(OUTLET) (SUB FOR RE10259)
	RE34128	ELBOW FITTING	1		(INLET)
5	R67879	GASKET	1		
6	RE46252	FUEL PUMP	1		

FUEL INJECTION NOZZLE (6076HH030, HH034)

(DENSO)

RGP3247 -UN-01JAN94



RGP3247

# 1E10

6076 ENGINE (HH030)

FUEL INJECTION NOZZLE (DENSO) (6076HH030 OR HH034) - CONT INUED

KEY	PART NO.	PART NAME	QTY	ENGINE SERIAL NO.	REMARKS
1	R68035	NUT	1		
2	R69089	O-RING	1		
3	R94400	NOZZLE HOLDER	1	-505555	
	R115369	NOZZLE HOLDER	1	505556-	
4	R68036	SHIM	AR		0.70MM (.028")
	R90544	SHIM	AR		0.725MM (.0285")
	R68037	SHIM	AR		0.75MM (.030")
	R90543	WASHER	AR		0.775MM (.0305")
	R68038	WASHER	AR		0.80MM (.032")
	R90542	WASHER	AR		0.825MM (.0324")
	R68039	WASHER	AR		0.85MM (.034")
	R90541	WASHER	AR		0.875MM (.0344")
	R68040	WASHER	AR		0.90MM (.035")
	R90540	WASHER	AR		0.925MM (.0364")
	R68041	WASHER	AR		0.95MM (.037")
	R90539	WASHER	AR		0.975MM (.0383")
	R68042	WASHER	AR		1.00MM (.039")
	R90538	WASHER	AR		1.025MM (.0403")
	R68043	WASHER	AR		1.05MM (.041")
	R90537	WASHER	AR		1.075MM (.0423")
	R68044	WASHER	AR		1.10MM (.043")
	R90536	WASHER	AR		1.125MM (.0443")
	R68045	WASHER	AR		1.15MM (.045")
	R90535	WASHER	AR		1.175MM (.0462")
	R68046	WASHER	AR		1.20MM (.047")
	R90534	WASHER	AR		1.225MM (.0482")
	R68047	WASHER	AR		1.25MM (.049")
	R90533	WASHER	AR		1.275MM (.0502")
	R68048	WASHER	AR		1.30MM (.051")
	R90532	WASHER	AR		1.325MM (.0522")
	R68049	WASHER	AR		1.35MM (.053")
	R90531	WASHER	AR		1.375MM (.0541")
	R68050	WASHER	AR		1.40MM (.055")
	R90530	WASHER	AR		1.425MM (.0561")
	R68051	WASHER	AR		1.45MM (.057")
	R90529	WASHER	AR		1.475MM (.0580")
	R68052	WASHER	AR		1.50MM (.059")
5	R68053	SPRING	1	-505555	(SUB R115368 AND R115369, THIS APPLICATION)
	R115368	SPRING	1	505556-	
6	R94410	SEAT	1		
7	R94412	PLATE	1		
8	RE29179	INJECTION NOZZLE	1	-505555	(7 X 0.23) (SUB RE52114)
	RE52114	INJECTION NOZZLE	1	505556-	(7 X 0.255)
9	R94414	NUT	1		
10	R84472	WASHER	1		
11	RE25253	INJECTION NOZZLE	6		(SUB RE52113 AND R84472) (DENSO)
	RE52113	INJECTION NOZZLE	6		
	R84472	WASHER	6		



**FUEL FILTER AND LINES (6076HH030, HH034) - CONTINUED**

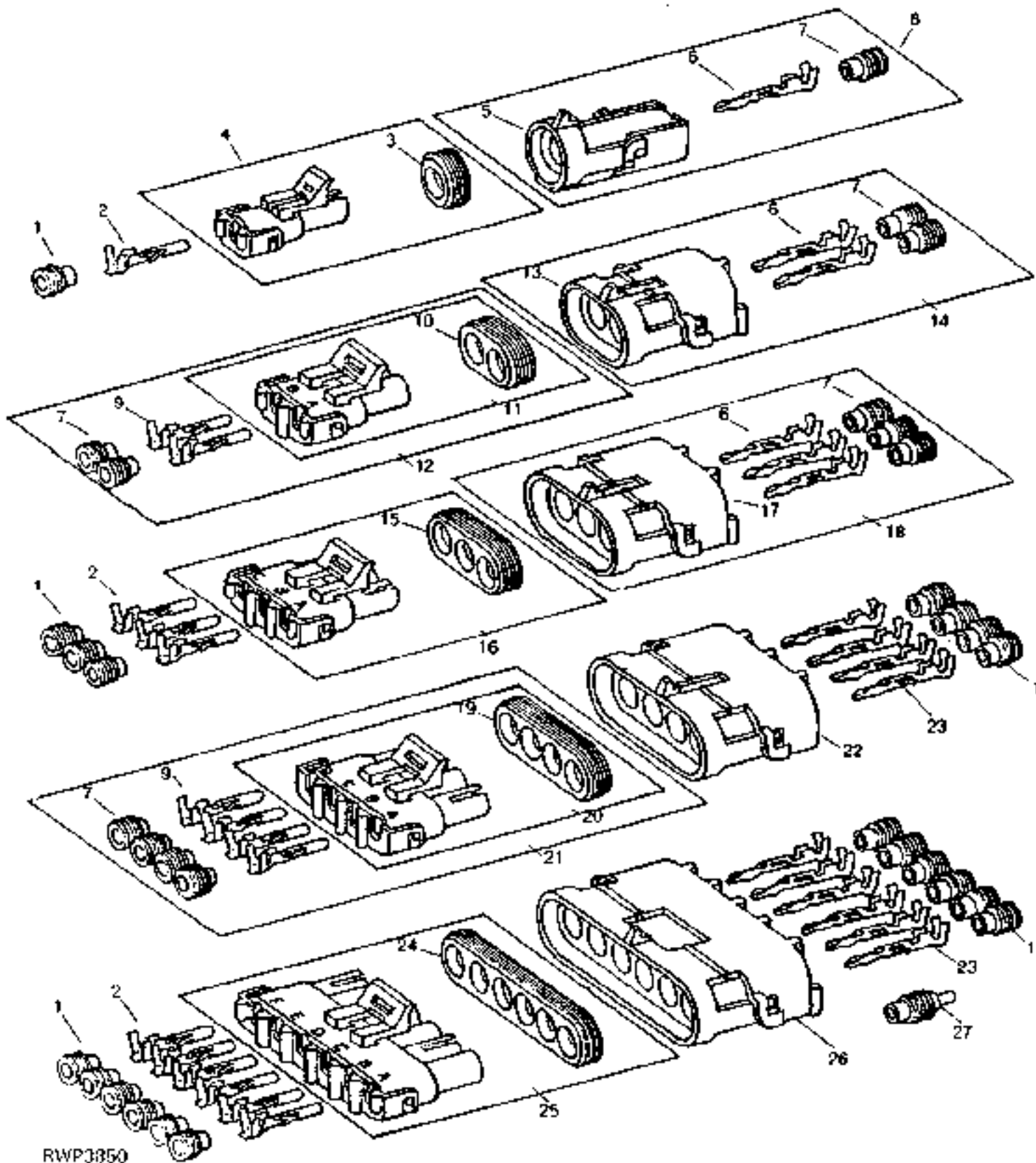
KEY	PART NO.	PART NAME	QTY	ENGINE SERIAL NO.	REMARKS
1	R119223	PLUG	2		
2	RE54244	CHECK VALVE	1		
3	RE54245	FITTING	1		
4	RE47501	BASE	1		
5	R67092	SEAL	3		
6	RE47635	FUEL LINE	1	-538049	(SUB RE63090, APPL)
	RE63090	FUEL LINE	1	538050-	
7	R53899	WASHER	1		
8	R83490	FITTING	1		
9	RE47850	FUEL LINE	1		
10	R89927	CLAMP	2		
11	RE27091	FUEL FILTER	1		(SUB AR86745)
	AR86745	FILTER ELEMENT	1		
12	19H3104	CAP SCREW	2		7/16" X 1-1/4"
13	12H293	LOCK WASHER	2		7/16", (NO LONGER REQUIRED WITH 19H3104)
14	24H1325	WASHER	2		15/32" X 59/64" X 0.065"

# 1E13

6076 ENGINE (HH030)

## WEATHERPACK TERMINALS AND CONNECTORS

RWP3850 -UN-01JAN94





## WEATHERPACK TERMINALS AND CONNECTORS - CONTINUED

KEY	PART NO.	PART NAME	QTY	TRACTOR SERIAL NO.	REMARKS
1	R78063	TERMINAL NIPPLE	1	(D)	(16 GA. WIRE) (GRAY)
	R78059	ELECTRICAL PLUG	1	(D)	(18 OR 20 GA. WIRE) (GREEN)
	R78062	TERMINAL NIPPLE	1	(D)	(14 GA. WIRE) (BLUE)
2	R78057	SOCKET CONTACT	1	(D)	(18 OR 20 GA. WIRE) (NO. 19)
	R78060	SOCKET CONTACT	1	(D)	(14 OR 16 GA. WIRE) (NO. 15)
3	R78047	SEAL	1	(C)	
4	RE12362	CONNECTOR	1	(B)	
5	R78052	PIN CONTACT CONNECTOR BODY	1	(B)	
6	R78061	PIN CONTACT	1	(D)	(14 OR 16 GA. WIRE) (NO. 15)
7	R78063	TERMINAL NIPPLE	1	(D)	(16 GA. WIRE) (GRAY)
8	RE12334	CONNECTOR	1		
9	R78060	SOCKET CONTACT	1	(D)	(14 OR 16 GA. WIRE) (NO. 15)
10	R78048	TERMINAL NIPPLE	1	(C)	
11	RE12363	CONNECTOR	1	(B)	
12	RE12331	CONNECTOR	1		
13	R78053	PIN CONTACT CONNECTOR BODY	1	(B)	
14	RE12330	CONNECTOR	1		
15	R78049	SEAL	1	(C)	
16	RE12364	SOCKET CONT.CONNECTOR BODY	1	(B)	
17	R78054	PIN CONTACT CONNECTOR BODY	1	(B)	
18	RE12332	CONNECTOR	1		
19	R78050	SEAL	1	(C)	
20	RE12365	CONNECTOR	1	(A)	
21	RE12333	CONNECTOR	1		
22	R78055	PIN CONTACT CONNECTOR BODY	1	(A)	
23	R78061	PIN CONTACT	1	(D)	(14 OR 16 GA. WIRE) (NO. 15)
	R78058	PIN CONTACT	1	(D)	(18 OR 20 GA. WIRE) (NO. 19)
24	R78051	SEAL	1	(C)	
25	RE12366	CONNECTOR	1	(A)	
26	R78056	PIN CONTACT CONNECTOR BODY	1	(A)	
27	R78064	ELECTRICAL PLUG	1	(D)	

- (A) PKG OF 2  
 (B) PKG OF 3  
 (C) PKG OF 5  
 (D) PKG OF 40

# 1E15

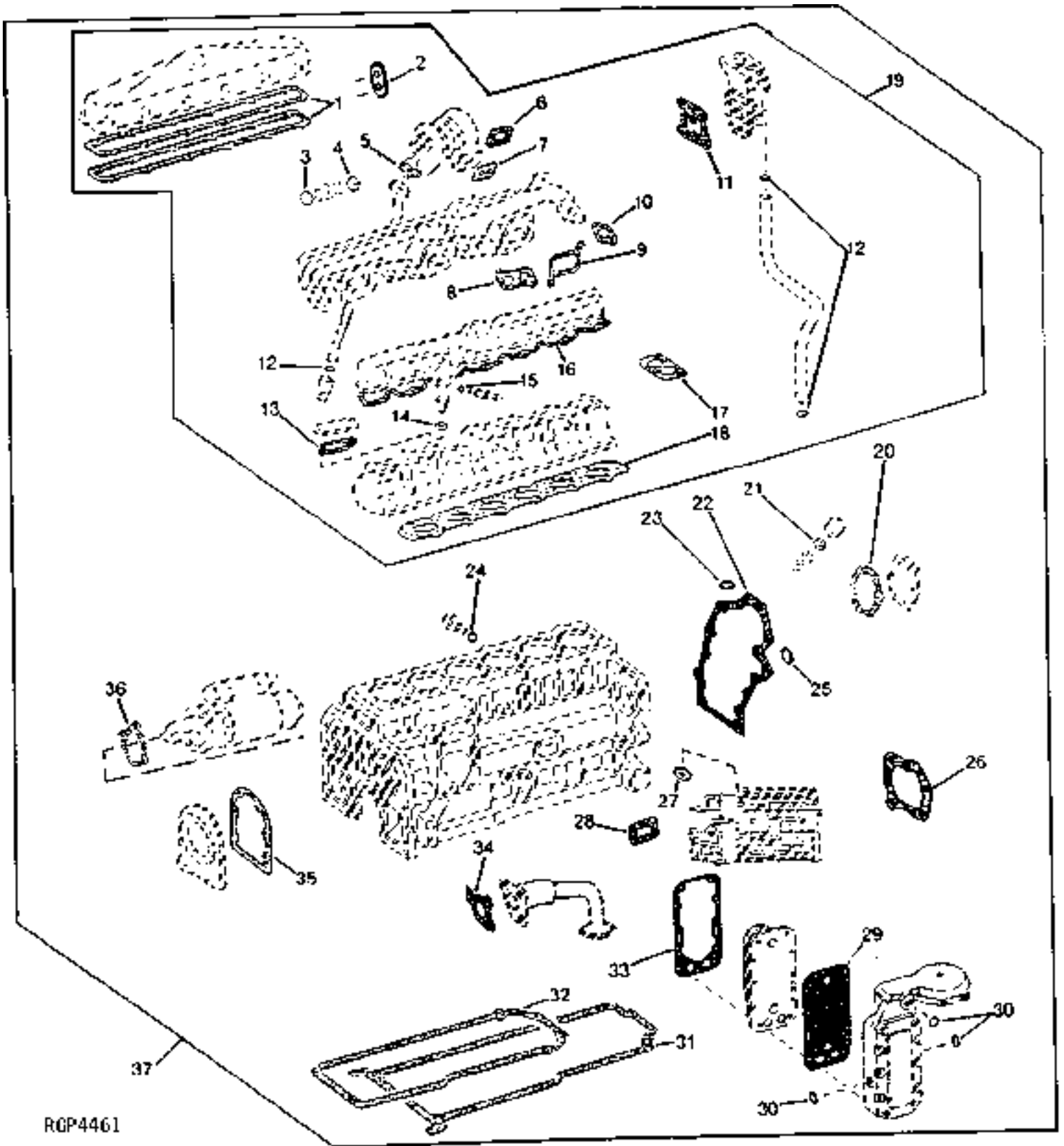
6076 ENGINE (HH030)

## ENGINE GASKET KITS

(6076)

RGP4461

-UN-16MAR95



RGP4461

# 1E16

6076 ENGINE (HH030)

**ENGINE GASKET KITS - CONTINUED  
(6076)**

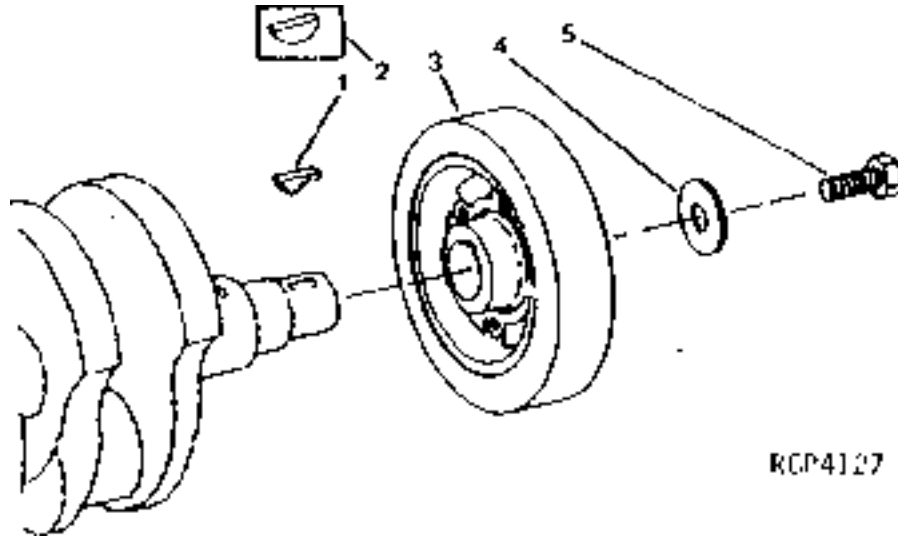
KEY	PART NO.	PART NAME	QTY	ENGINE SERIAL NO.	REMARKS
1	R88993	GASKET	2	(A)	
2	R100911	SEAL	1	(A)	
3	R50405	O-RING	1	(A)	
4	R86743	O-RING	1		
5	R105346	GASKET	1		
6	R92097	GASKET	1		
7	R89879	GASKET	1		
8	R83020	GASKET	2		
9	R120646	GASKET	3		(SUB FOR R102838, APPL)
10	R83021	GASKET	2		
11	R86062	GASKET	1		
12	R72328	O-RING	1		
13	R88397	GASKET	2		
14	R84472	WASHER	6		
	R51603	O-RING	6		(ROBERT BOSCH)
	R69089	O-RING	6		(DENSO)
15	R77551	O-RING	6		
16	R49866	GASKET	1		
17	R46479	GASKET	1		
18	RE47336	ENGINE CYLINDER HEAD GASKET	1		
19	RG22248	GASKET KIT	1		CYLINDER HEAD, (SUB FOR RE29859) (SUB RG27884)
	RG27884	GASKET KIT	1		
20	R99464	GASKET	1		
21	T20328	GASKET	1		
22	R104623	GASKET	1		
23	R79915	O-RING	1		
24	U13639	O-RING	1		
25	R101042	O-RING	1		
26	R100367	GASKET	1		
27	R53899	WASHER	1		(USE WITH R83490)
	R53901	WASHER	1		(USE WITH R83489)
28	R96616	GASKET	1		
29	R94619	GASKET	1	-547515	(SUB R128558)
	R128558	GASKET	1	547516-	
30	U17409	O-RING	3		
31	R71918	GASKET	1		(B) (CAST IRON OIL PAN)
32	R49377	GASKET	1		(ALUMINUM OIL PAN)
33	R94618	GASKET	1	-547515	(SUB R128557)
	R128557	GASKET	1	547516-	
34	R100569	GASKET	1		
35	R26058	GASKET	1		
36	R53108	GASKET	1		
37	RE64206	GASKET KIT	1		ENGINE REBUILD, (SUB FOR RE42151)

(A) - USED WITH AFTERCOOLED ENGINE ONLY  
(B) - NOT USED THIS APPLICATION

# 1E17

6076 ENGINE (HH030)

**CRANKSHAFT DAMPER**  
RGP4127 -UN-01JAN94



KEY	PART NO.	PART NAME	QTY	ENGINE SERIAL NO.	REMARKS
1	R116311	KEY	1	509680-	
2	26H85	SHAFT KEY	1	-509679	1/4" X 1"
3	RE24975	TORSIONAL DAMPENER	1	-509679	
	RE48454	TORSIONAL DAMPENER	1	509680-	
4	R26333	WASHER	1		16.662 X 57.150 X 9.525 MM (21/32" X 2-1/4" X 3/8")
5	R79846	CAP SCREW	1		15.875 X 50.800 MM (5/8" X 2")

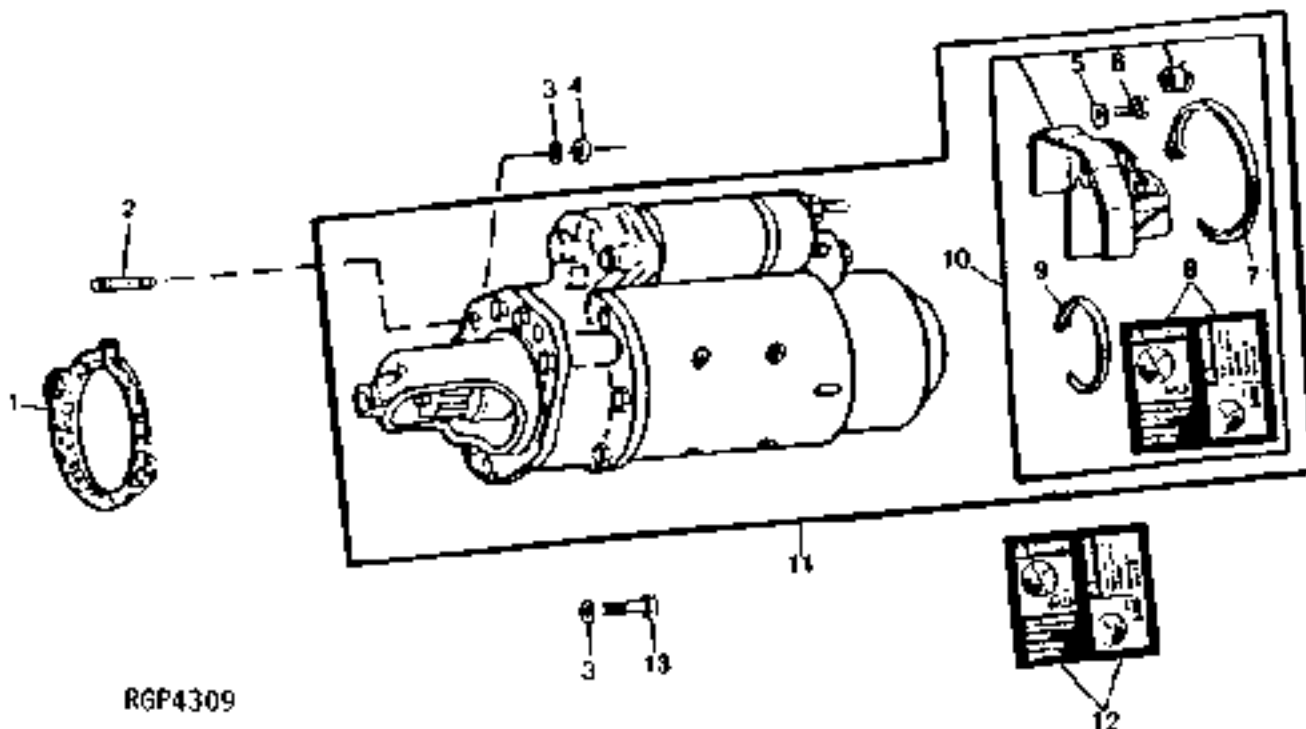
# 1E18

6076 ENGINE (HH030)

## STARTING MOTOR (12V F4)

(DENSO)

RGP4309 -UN-14SEP95

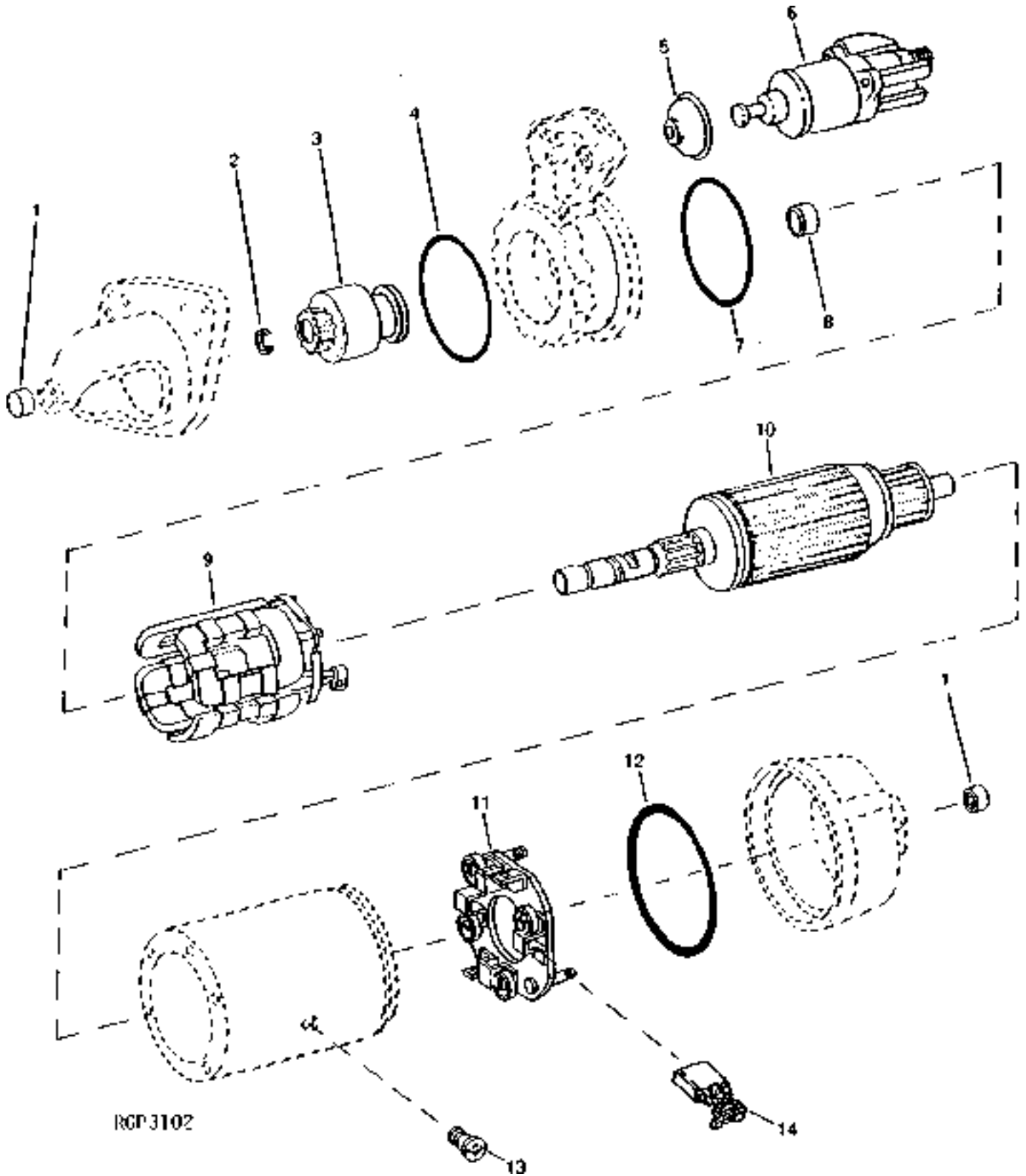


KEY	PART NO.	PART NAME	QTY	ENGINE SERIAL NO.	REMARKS
1	R53108	GASKET	1		
2	R114130	STUD	1		(SUB FOR R55396, APPL)
3	12H304	LOCK WASHER	2	-513026	3/8", (NO LONGER REQUIRED)
	24M7096	WASHER	2	513027-	10.500 X 18 X 1.600 MM
4	E55662	FLANGE NUT	1		
5	R104676	SHIM	1		
6	R104646	SCREW	1		
7	H113196	TIE BAND	1		
8	T146102	LABEL	1		(ENGLISH) (SUB FOR T134459)
9	R44302	TIE BAND	1		
10	RE41758	COVER	1	-513026	(USE WITH TY6731 OR TY6781)
	RE45329	COVER	1		(USE WITH RE43266 OR RE54416)
11	TY6731	STARTER MOTOR	1	-513026	(REMANUFACTURED) (DENSO) (CONTAINS RE41758)
	TY6781	STARTER MOTOR	1	513027-	(REMANUFACTURED) (DENSO) (CONTAINS RE45329)
	RE43423	STARTER MOTOR	1	-513026	(DENSO NO. 128000-5972) (MARKED RE43266)
	RE56053	STARTER MOTOR	1	513027-565603	(CONTAINS RE45329) (SUB RE65176)
	RE65176	KIT	1	565604-	(DENSO NO. 22800-4601) (MARKED RE59589)
12	T146517	SAFETY SIGN	1		(ENGLISH/FRENCH)) (SUB FOR T134456)
	T146104	SAFETY SIGN	1		(FRENCH) (SUB FOR T134453)
	T146515	SAFETY SIGN	1		(GERMAN) (SUB FOR T134454)
	T146516	SAFETY SIGN	1		(ITALIAN) (SUB FOR T134455)
	T146106	SAFETY SIGN	1		(SPANISH) (SUB FOR T134452)
13	19H3219	CAP SCREW	2		3/8" X 1-3/8"
..	RE43166	CLAMP	1		(INCLUDED WITH RE56053)

# 1E19

6076 ENGINE (HH030)

STARTING MOTOR (12V F4)  
(DENSO NO. 128000-5972 OR 128000-5973)  
RGP3102 -UN-01JAN94



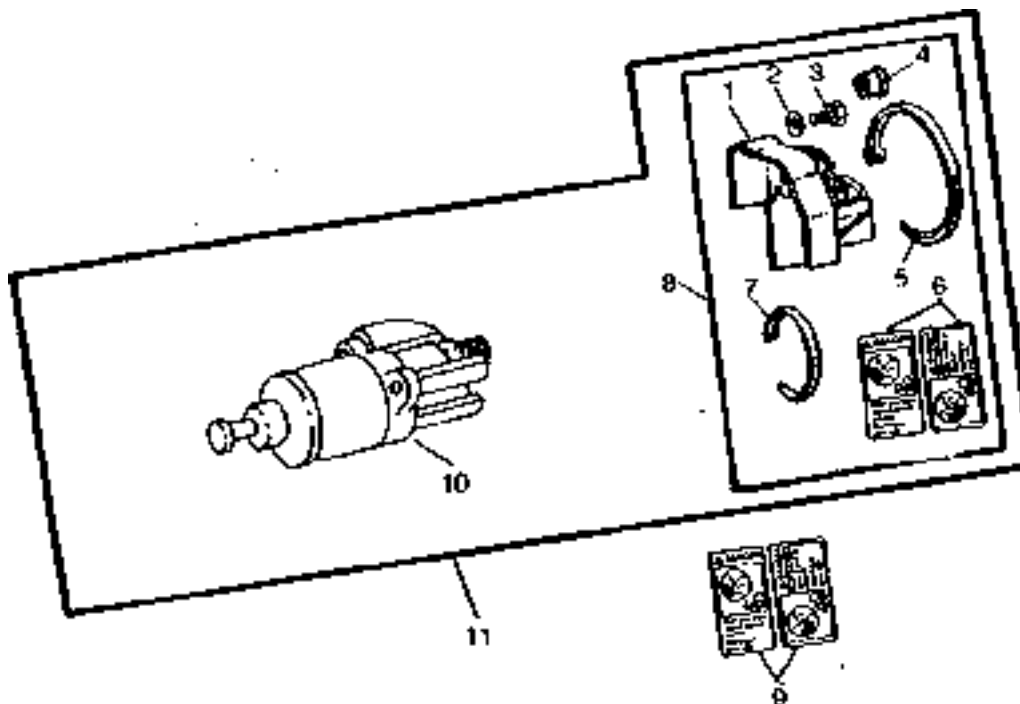
# 1E20

6076 ENGINE (HH030)

**STARTING MOTOR (12V F4) - CONTINUED  
(DENSO NO. 128000-5972 OR 128000-5973)**

KEY	PART NO.	PART NAME	QTY	ENGINE SERIAL NO.	REMARKS
1	RE39251	NEEDLE BEARING	2		
2	R50902	SNAP RING	1		
3	RE39249	CLUTCH	1		
4	R50901	WASHER	1		
5	R100513	COVER	1		
6	RE39241	SWITCH	1		(USE WITH TY6731 OR TY6781)
	RE42777	SWITCH	1		(USE WITH RE43266 OR RE54416)
7	R100511	O-RING	1		
8	R100509	BUSHING	1		
9	RE39243	FIELD WINDING COIL	1		
10	RE39245	ARMATURE	1		
11	RE39250	CARBON BRUSH HOLDER	1		
12	R100512	O-RING	1		
13	R100508	SCREW	4		
14	RE39247	BRUSH	4		
..	RE43423	STARTER MOTOR	1		(DENSO NO. 128000-5972) (MARKED RE43266)
..	RE56053	STARTER MOTOR	1		(DENSO NO. 128000-5973) (MARKED RE54416)

**STARTER SOLENOID SWITCH  
(12 VOLT) (JOHN DEERE)  
(DENSO NO. 128000-5972)  
RGP3593 -UN-01JAN94**



RGP3593

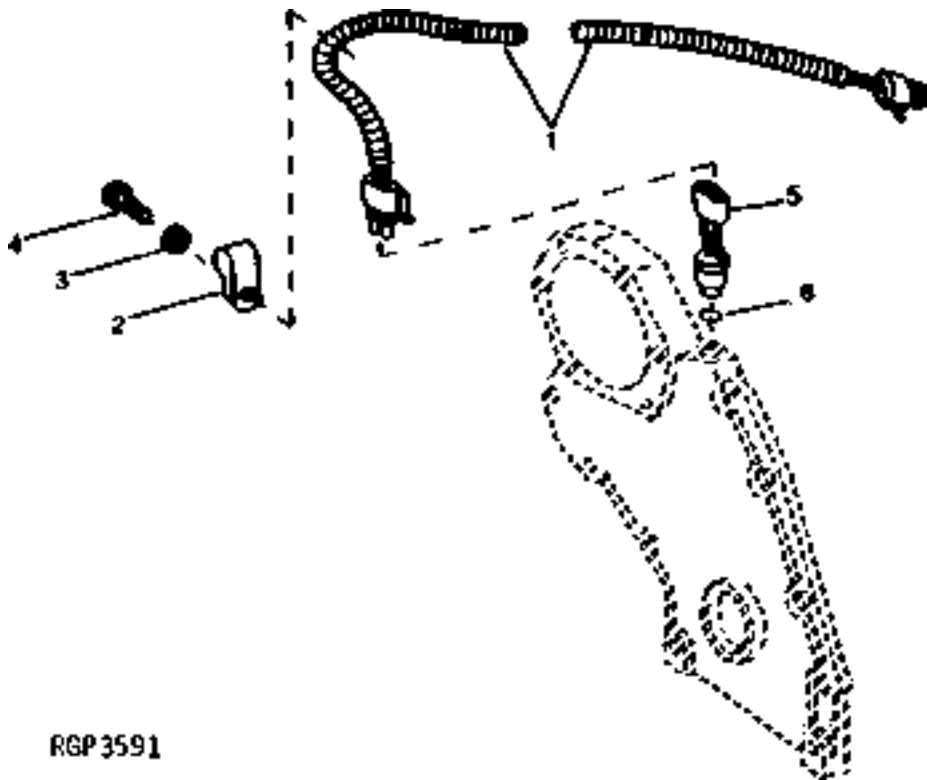
KEY	PART NO.	PART NAME	QTY	ENGINE SERIAL NO.	REMARKS
1	.....	COVER	1		(SUB RE45329)
2	R104676	SHIM	1		
3	R104646	SCREW	1		
4	R104677	BUSHING	1		
5	H113196	TIE BAND	1		
6	T146102	LABEL	1		(ENGLISH) (SUB FOR T134459)
7	R44302	TIE BAND	1		
8	RE45329	COVER	1		
9	T146106	SAFETY SIGN	1		(SPANISH) (SUB FOR T134452)
	T146104	SAFETY SIGN	1		(FRENCH) (SUB FOR T134453)
	T146515	SAFETY SIGN	1		(GERMAN) (SUB FOR T134454)
	T146516	SAFETY SIGN	1		(ITALIAN) (SUB FOR T134455)
	T146517	SAFETY SIGN	1		(ENGLISH-FRENCH) (SUB FOR T134456)
10	RE42777	SWITCH	1		
11	RE45330	SWITCH	1		



# 1E22

6076 ENGINE (HH030)

**MAGNETIC PICK-UP**  
RGP3591 -UN-20OCT94

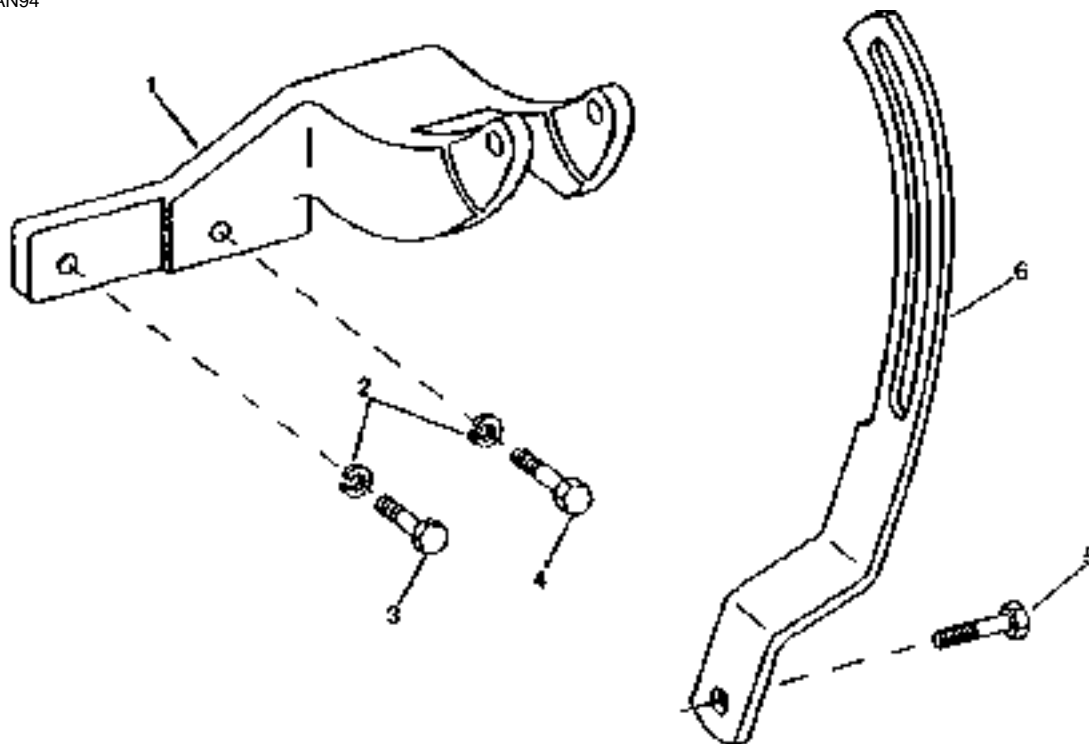


**RGP3591**

KEY	PART NO.	PART NAME	QTY	ENGINE SERIAL NO.	REMARKS
1	RE49290	WIRING HARNESS	1	-XXXXXX	(USED WITH ROBERT BOSCH F.I.P.)
2	T13814	CLAMP	1	-XXXXXX	
3	24H1305	WASHER	2	-XXXXXX	13/32" X 13/16" X 0.065"
4	19H2038	CAP SCREW	2	-XXXXXX	3/8" X 1/2"
5	RE43511	SENSOR	1		
6	R54856	O-RING	1		

## ALTERNATOR MOUNTING BRACKET AND ADJUSTING STRAP

(6076)  
RGP3620 -UN-01JAN94



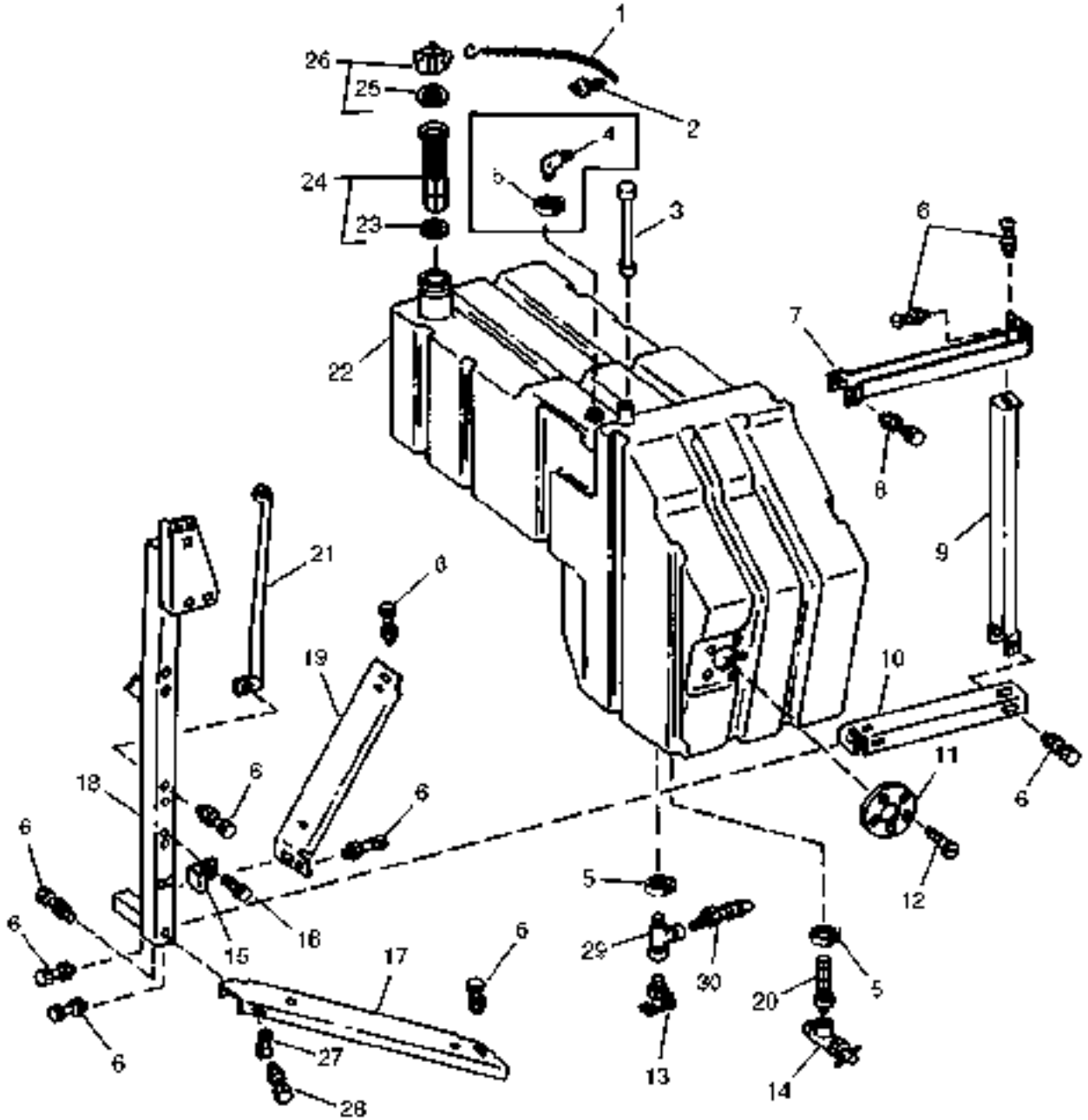
RGP3620

KEY	PART NO.	PART NAME	QTY	ENGINE SERIAL NO.	REMARKS
1	R108400	SUPPORT	1		
2	12H293	LOCK WASHER	1		
3	19H3104	CAP SCREW	1		
4	19H2731	CAP SCREW	1		7/16", (NO LONGER REQUIRED WITH 19H3104 OR 19H2731)
5	R105732	CAP SCREW	1		7/16" X 1-1/4"
6	R112038	STRAP	1		7/16" X 1-3/8"

MEMORANDA

# 1F2

FUEL TANK, SUPPORTS, AND FITTINGS  
HP9320 -UN-16NOV99



HP9320

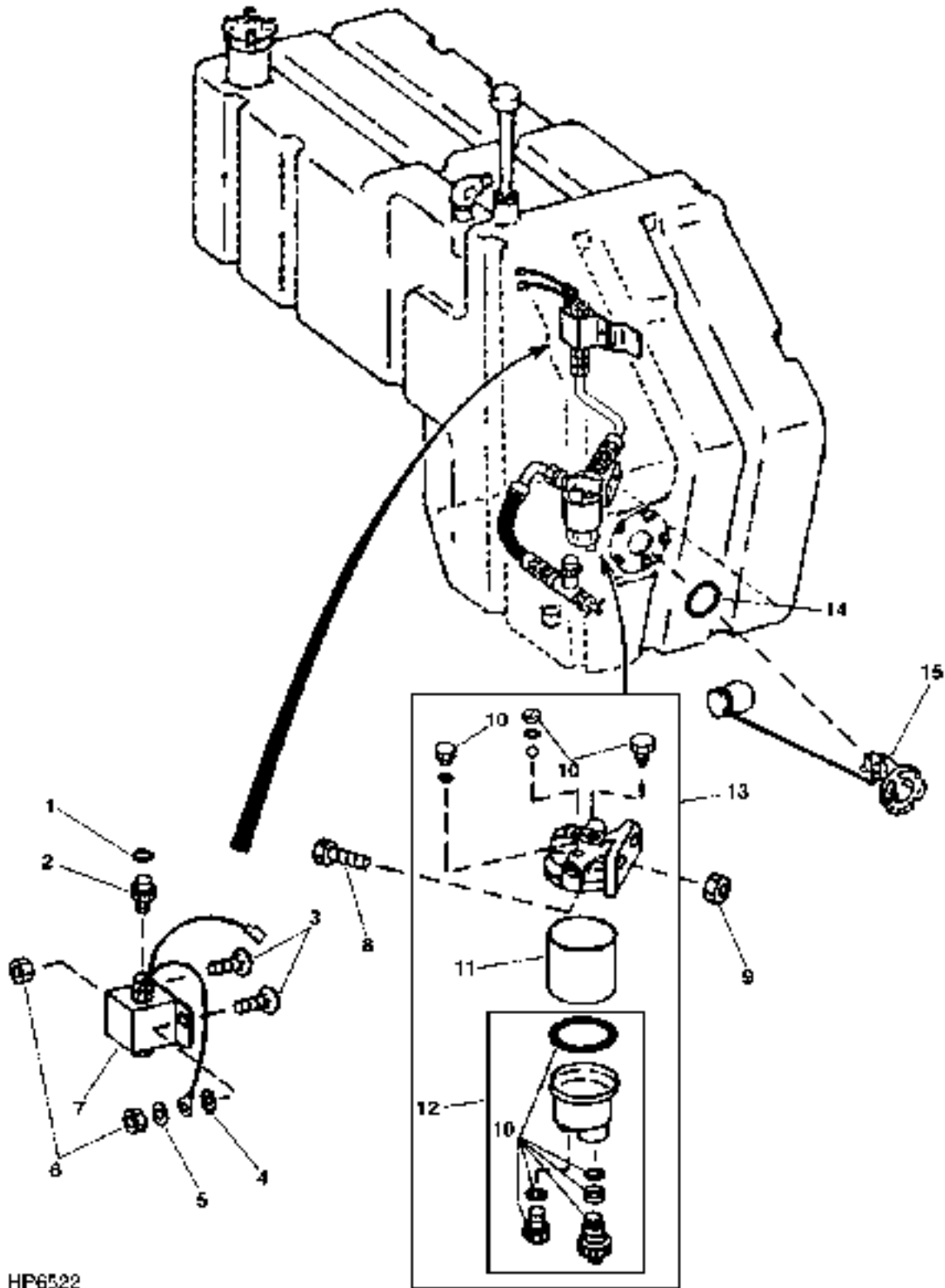
## FUEL TANK, SUPPORTS, AND FITTINGS - CONTINUED

KEY	PART NO.	PART NAME	QTY	SERIAL NO.	REMARKS
1	AH132814	LINK CHAIN	1		
2	H99897	RETAINER	1		
3	AH116123	BREATHER	1		
4	T28077	ELBOW FITTING	2		90 DEGREE
5	TY22467	CLAMP	AR		(SUB FOR AR21839 OR AT18904)
6	19M7785	SCREW	5		M10 X 25
	14M7400	LOCK NUT	5		M10
7	H169794	CHANNEL	1		(SUB FOR H134299)
8	19M7812	SCREW	1		M10 X 100
	14M7400	LOCK NUT	1		M10
	H77507	WASHER	1		10.312 X 38.100 X 7.925 MM
9	H134298	CHANNEL	1		
10	H169793	CHANNEL	1		(SUB FOR H134297)
11	19M7785	SCREW	10		M10 X 25
	14M7400	LOCK NUT	10		M10
12	H134396	WASHER	1		
13	19H2925	SCREW	5		1/4" X 1/2"
14	AT13740	DRAIN VALVE	1		(USE WITH T17568 TEE AND U42355 CONNECTOR)
15	AH129056	VALVE	1		
16	H143420	STOP	1		
17	37M7058	SCREW	2		M8 X 20
18	AH135191	CHANNEL	1		(INCLUDES AH114109)
19	AH137254	SUPPORT	1		
20	AH136147	CHANNEL	1		REAR
21	AH106982	SCREEN	1		
22	H129839	BRACE	1		
23	AH146621	FUEL TANK	1		(SUB FOR AH140493 OR AH144553) (USE WITH TY22418 HOSE, U42355 TEE AND T17568 CONNECTOR)
24	H147415	O-RING	1		(SUB FOR H140497)
25	AH162914	STRAINER	1		(SUB FOR AH135155)
26	H148166	WASHER	1		(SUB FOR H141412)
27	AH141823	FILLER CAP	1		(SUB FOR AH135893)
28	T76719	CLAMP	1	-655649	FOR RUBBER HOSE ON STRAW WALKER GEARBOX
	T28949	CLAMP	1	655650-	
29	19M7867	SCREW	1	-660659	M8 X 25
	14M7298	FLANGE NUT	1	-660659	M8
	19M7862	SCREW	1	660660-	M6 X 20
	14M7303	FLANGE NUT	1	660660-	M6
30	T17568	TEE FITTING	1	660660-	
31	U42355	FITTING	1	660660-	

# 1F4

FUEL AND AIR

ELECTRIC FUEL PUMP, WATER SEPARATOR AND FUEL FLOAT  
HP6522 -UN-15JUL96



HP6522

THIS PARTS LISTING IS CONTINUED

# 1F5

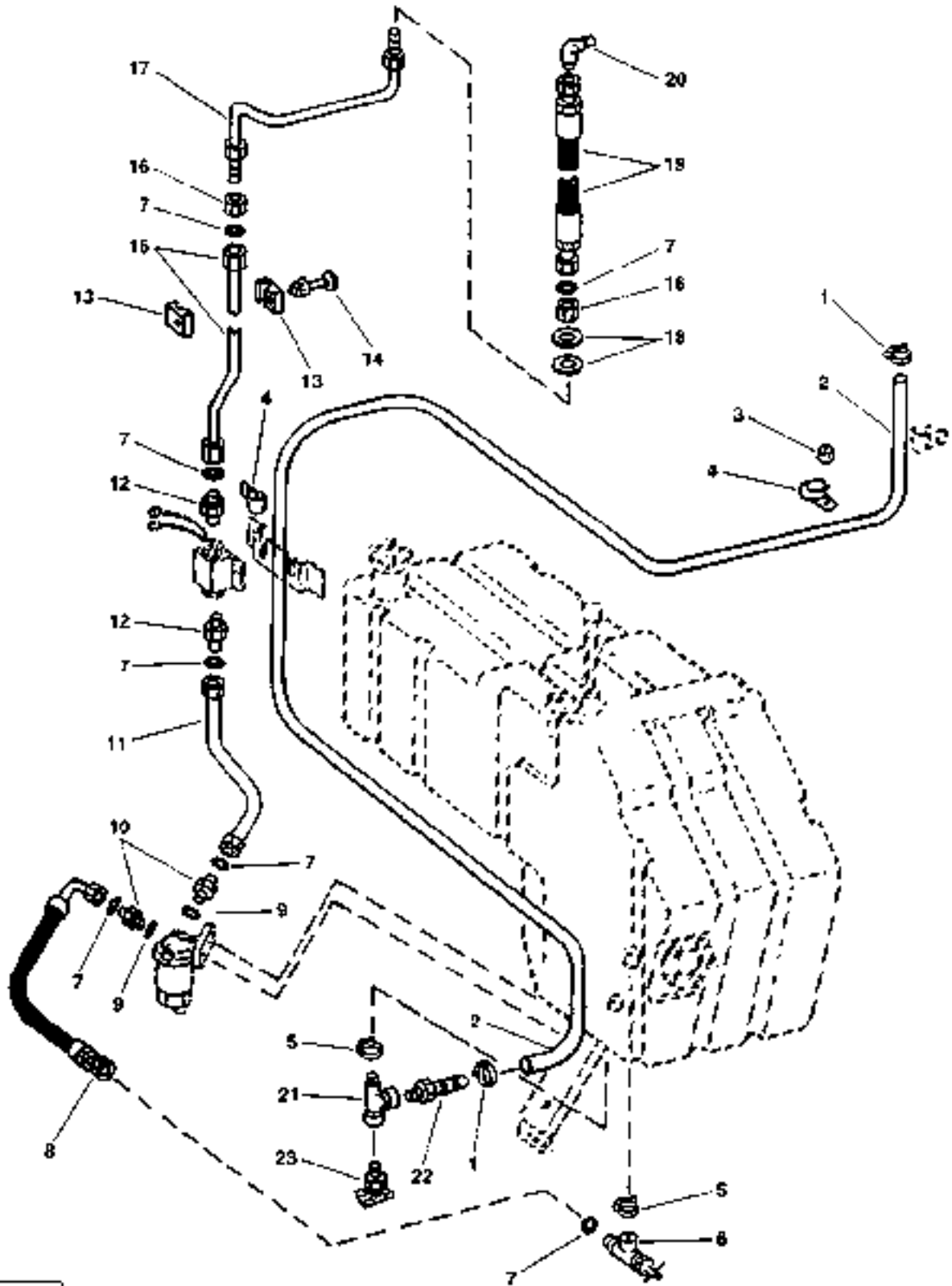
FUEL AND AIR

## ELECTRIC FUEL PUMP, WATER SEPARATOR AND FUEL FLOAT - CONTINUED

KEY	PART NO.	PART NAME	QTY	SERIAL NO.	REMARKS
1	T77613	O-RING	2		
2	H127578	ADAPTER	2		
3	03M7221	BOLT	2		M6 X 16
4	12M7081	LOCK WASHER	1		6.400 MM, EXTERNAL TOOTH
5	24H1287	WASHER	1		9/32" X 5/8" X 0.065"
6	14M7303	FLANGE NUT	2		M6
7	AH130127	PUMP	1		
8	19M7786	SCREW	2		M10 X 30
9	14M7296	FLANGE NUT	2		M10
10	AT81477	KIT	1		
11	AT81478	FILTER ELEMENT	1		
12	AT81476	KIT	1		
13	AT81268	SEPARATOR	1		
14	F1649R	O-RING	1	-650400	
	H149454	PACKING	1	650401-	
15	AH143036	SENSOR	1		(SUB FOR AH136233)

# 1F6

TANK FUEL LINES AND FITTINGS  
HP9333 -UN-19NOV99



HP9333

THIS PARTS LISTING IS CONTINUED



## TANK FUEL LINES AND FITTINGS - CONTINUED

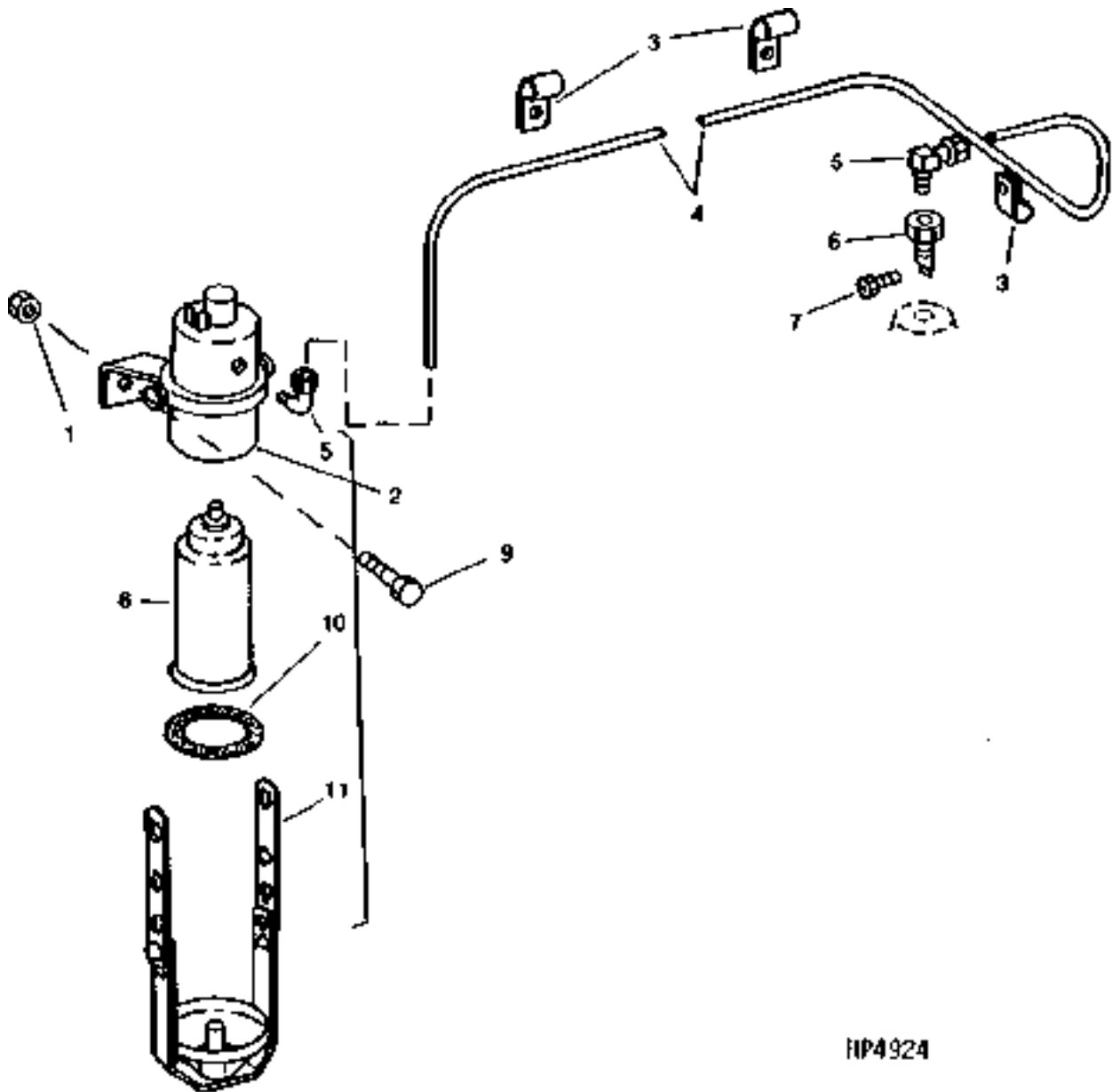
KEY	PART NO.	PART NAME	QTY	SERIAL NO.	REMARKS
1	TY22462	CLAMP	2		(SUB FOR AR48236)
2	TY22418	BULK HOSE	1		(SUB FOR H119904) RETURN
3	14M7298	FLANGE NUT	1		M8
4	AH89557	CLIP	2		
5	TY22467	CLAMP	1		(SUB FOR AR21839 OR AT18904)
6	AH129056	VALVE	1		
7	T77613	O-RING	7		
8	AH129058	HYDRAULIC HOSE	1		INLET
9	R26448	O-RING	2		
10	38H1160	ADAPTER	2		
11	AH136146	LINE	1		SUCTION
12	H127578	ADAPTER	2		
13	H127589	CLAMP	2		
14	03M7188	BOLT	1		M8 X 40
	14M7298	FLANGE NUT	1		M8
15	AH134842	OIL LINE	1		R.H. SIDE
16	T81029	NUT	2		17.475 MM
17	AH129409	OIL LINE	1		UPPER
18	24M7114	WASHER	2		19 X 30 X 4 MM
19	AH131541	HYDRAULIC HOSE	1		ENGINE
20	T28860	ELBOW FITTING	1		
21	T17568	TEE FITTING	1	660660-	
22	U42355	FITTING	1	660660-	
23	AT13740	DRAIN VALVE	1	660660-	

# 1F8

## COLD WEATHER STARTING AID

(-655614)

HP4924 -UN-01JAN94



HP4924

# 1F9

FUEL AND AIR

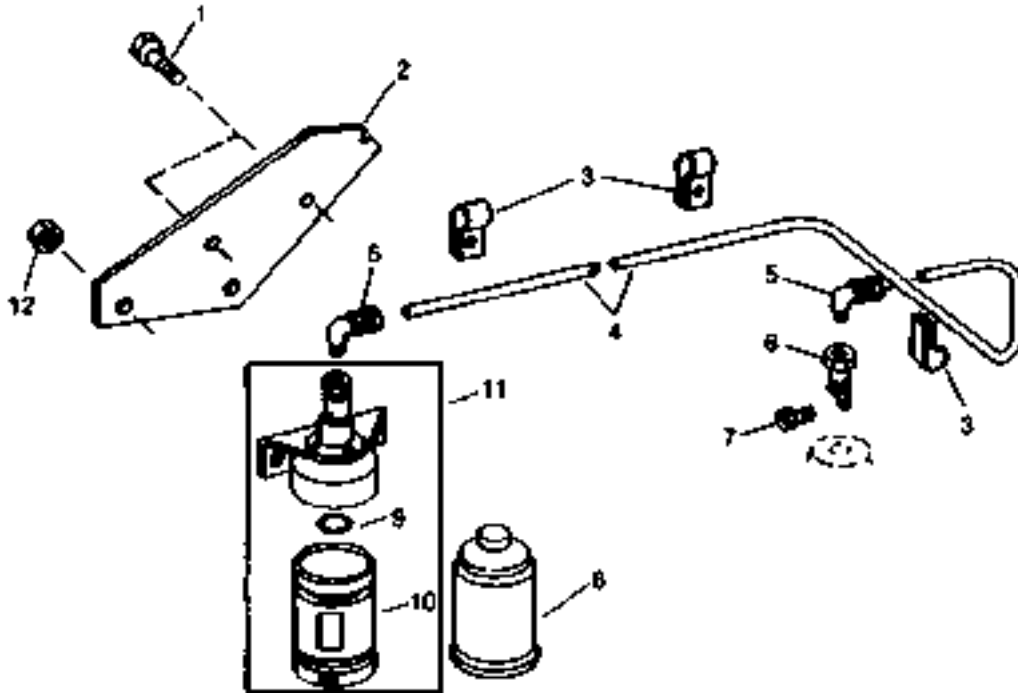
**COLD WEATHER STARTING AID - CONTINUED**  
( -655614)

KEY	PART NO.	PART NAME	QTY	SERIAL NO.	REMARKS
1	14M7298	FLANGE NUT	1	M8	
2	AT39623	SOLENOID	1		
3	T32231	CLAMP	3		
4	.....	LINE	1		(CUT FROM H86108) 57 IN.
5	RE21790	ELBOW FITTING	2		
6	R47160	NOZZLE HOLDER	1		
7	R28583	NOZZLE	1		
8	RE33636	STARTING FLUID	1		
9	19M7866	SCREW	2	M8 X 20	
10	T46726	GASKET	1		
11	AT57288	BAIL	1		

# 1F10

**COLD WEATHER STARTING AID**

(655615- )  
 HP5856 -UN-15OCT94



**HP5856**

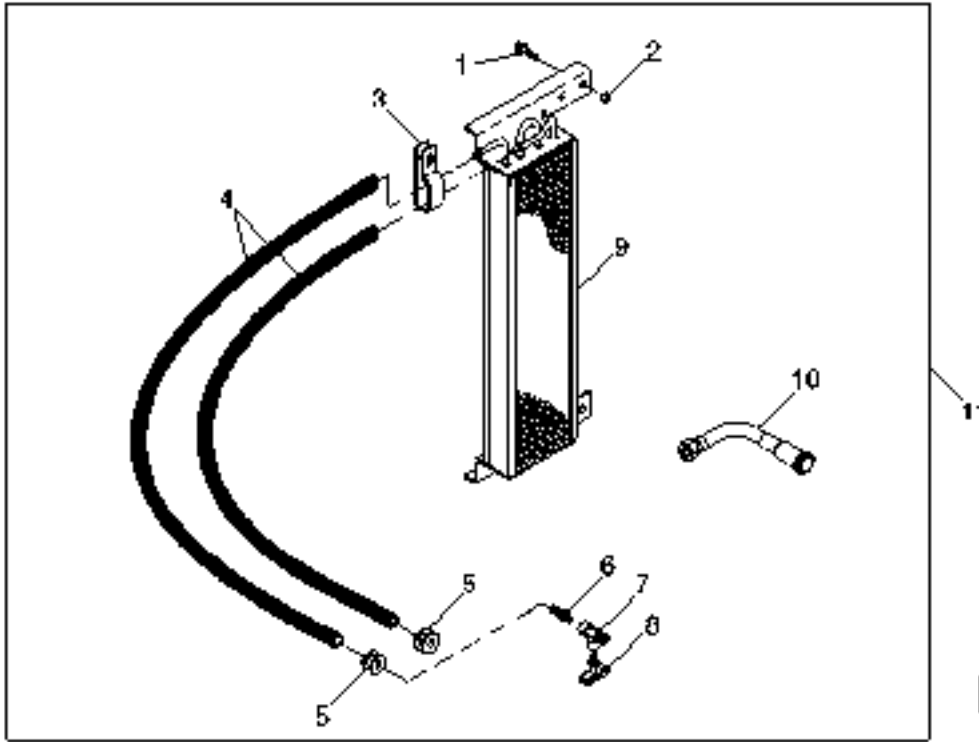
KEY	PART NO.	PART NAME	QTY	SERIAL NO.	REMARKS
1	19M7774	SCREW	AR	M6 X 12	
2	H134300	SUPPORT	1		
3	T32231	CLAMP	4		
4	.....	LINE	1		(CUT FROM H86108) 57 IN.
5	RE21790	ELBOW FITTING	2		
6	R47160	NOZZLE HOLDER	1		
7	R28583	NOZZLE	1		
8	RE33636	STARTING FLUID	1		
9	T13119	O-RING	1	18.720 X 2.616 MM (0.737" X 0.103")	
	T15712	O-RING	1	12.421 X 1.778 MM (0.489" X 0.070")	
10	R73498	CONTAINER	1		
11	RE48310	STARTING AID SOLENOID	1		
	RE48321	ADAPTER	1		
12	14M7298	FLANGE NUT	2	M8	

# 1F11

FUEL AND AIR

## FUEL COOLER

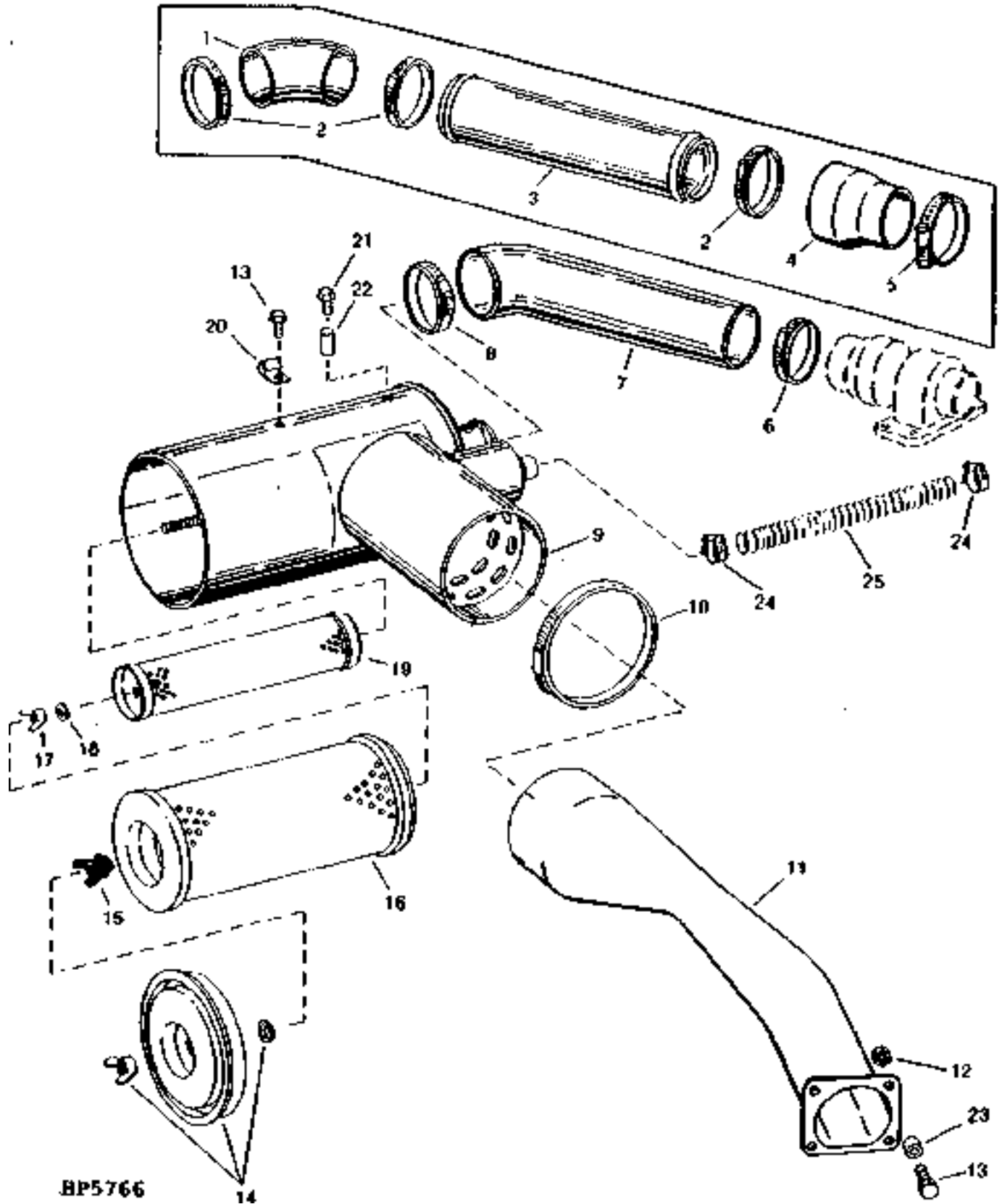
HP9165 -UN-25OCT99



KEY	PART NO.	PART NAME	QTY	SERIAL NO.	REMARKS
1	19M7775	SCREW	1	M6 X 16	
2	14M7397	LOCK NUT	1	M6	
3	AH97280	CLIP	1		
4	H169549	HOSE	2		
5	R71351	GROMMET	2		
6	A60341	FITTING	1		
7	T17568	TEE FITTING	1	6.350 MM	
8	AT13740	DRAIN VALVE	1		
9	AH162723	HEAT EXCHANGER	1		
10	RE503256	FUEL LINE	1		
11	AH163373	KIT	1		

# 1F12

AIR CLEANER AND INTAKE TUBES  
HP5766 -UN-01JAN94



BP5766

# 1F13

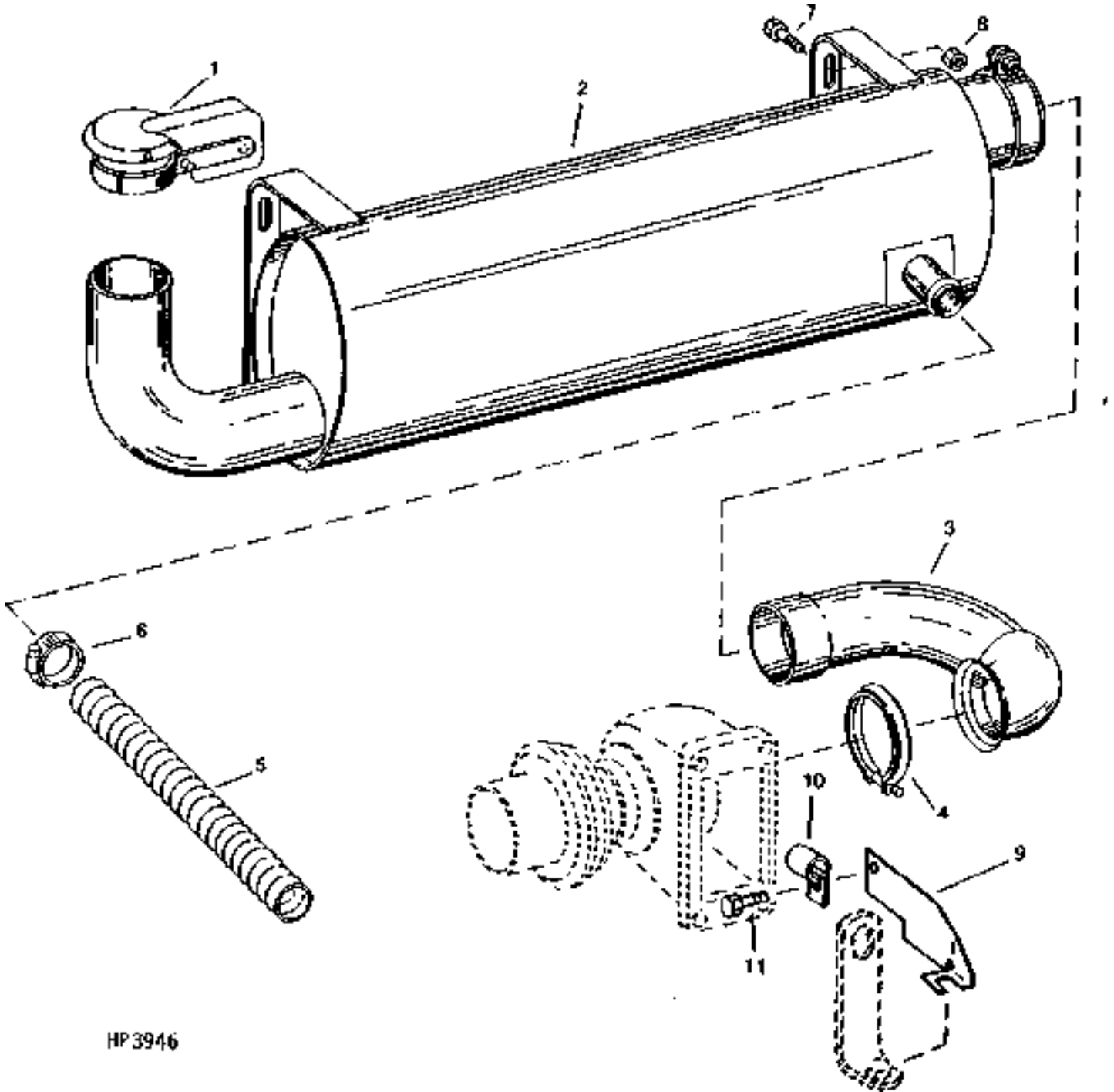
FUEL AND AIR

## AIR CLEANER AND INTAKE TUBES - CONTINUED

KEY	PART NO.	PART NAME	QTY	SERIAL NO.	REMARKS
1	AH148681	HOSE	1		(SUB FOR H136565 OR H147865)
2	AT53439	HOSE CLAMP	3	-650400	
3	AH148681	HOSE	1		(SUB FOR H136569 OR H147865)
4	H136567	HOSE	1	-650400	
5	RE36259	CLAMP	1		(SUB FOR AH134578)
6	AT112176	HOSE CLAMP	1	650401-	
7	AH148681	HOSE	1	-665400	(SUB FOR AH148990)
	AH148990	HOSE	1	665401-	
8	AT104113	HOSE CLAMP	1	-665400	
	AT131716	HOSE CLAMP	1	665401-	
9	AH130100	AIR CLEANER	1	-665400	
	AH148288	AIR CLEANER	1	665401-	
10	AH130230	HOSE CLAMP	1		
11	AH141625	AIR DUCT	1	650401-29SEP7	
12	14M7298	FLANGE NUT	4		M8
13	19M8318	SCREW	4		M8 X 45
14	AH132803	COVER	1		
15	AR73234	WING NUT	1		11.125 MM
16	AR70106	FILTER ELEMENT	1	-665400	PRIMARY ELEMENT
	AR95758	FILTER ELEMENT	1	665401-	PRIMARY ELEMENT
17	AH20849	WING NUT	1		
18	R39825	SEAL	1		
19	AR70107	FILTER ELEMENT	1	-665400	(USE WITH AR70106) SAFETY SECONDARY ELEMENT
	AR95759	FILTER ELEMENT	1	665401-	(USE WITH AR95758) SAFETY SECONDARY ELEMENT
20	H136577	CLAMP	1	-665400	
	H134690	CLAMP	1	665401-	
21	19M8319	SCREW	1		M8 X 50
22	28H1633	BUSHING	1		0.364" X 0.540" X 1-9/16"
23	H148776	SPACER	4	650401-	
24	AR65293	CLAMP	2		
25	H134117	HOSE	1		

# 1F14

MUFFLER AND EXHAUST PIPE  
HP3946 -UN-01JAN94



HP3946



# 1F15

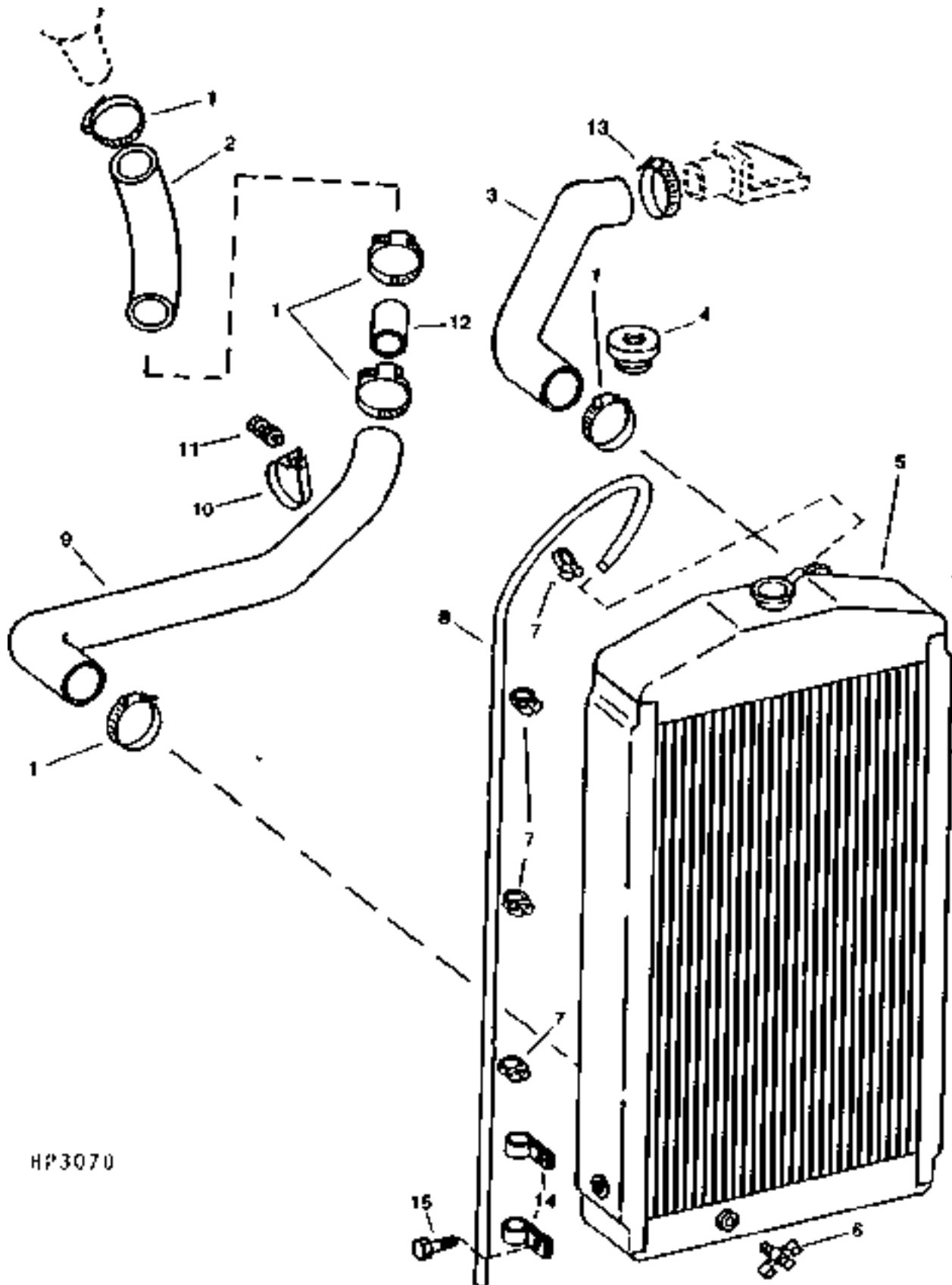
FUEL AND AIR

## MUFFLER AND EXHAUST PIPE - CONTINUED

KEY	PART NO.	PART NAME	QTY	SERIAL NO.	REMARKS
1	AR86603	CAP	1		
	AT74407	EXHAUST CAP	1		(USE WITH AH161463)
2	AH136385	MUFFLER	1	-665400	
	AH161463	MUFFLER	1		(SUB FOR AH148289) (ALSO ORDER AT74407)
3	AH128977	EXHAUST PIPE	1		
4	RE40048	CLAMP	1		(SUB FOR AT103553)
5	H134117	HOSE	1		
6	TY22470	CLAMP	1		(SUB FOR AR65293 OR AR21840)
7	19M7865	SCREW	4	-660517	M8 X 16
	19M7868	SCREW	4	660517-	M8 X 30
8	14M7298	FLANGE NUT	4		M8
9	H144260	SHIELD	1		
10	AH96317	CLIP	1		(SUB FOR AH89486)
11	37M7083	SCREW	1		M8 X 12

# 1F16

RADIATOR AND HOSES  
HP3070 -UN-01JAN94



HP3070

THIS PARTS LISTING IS CONTINUED

# 1F17

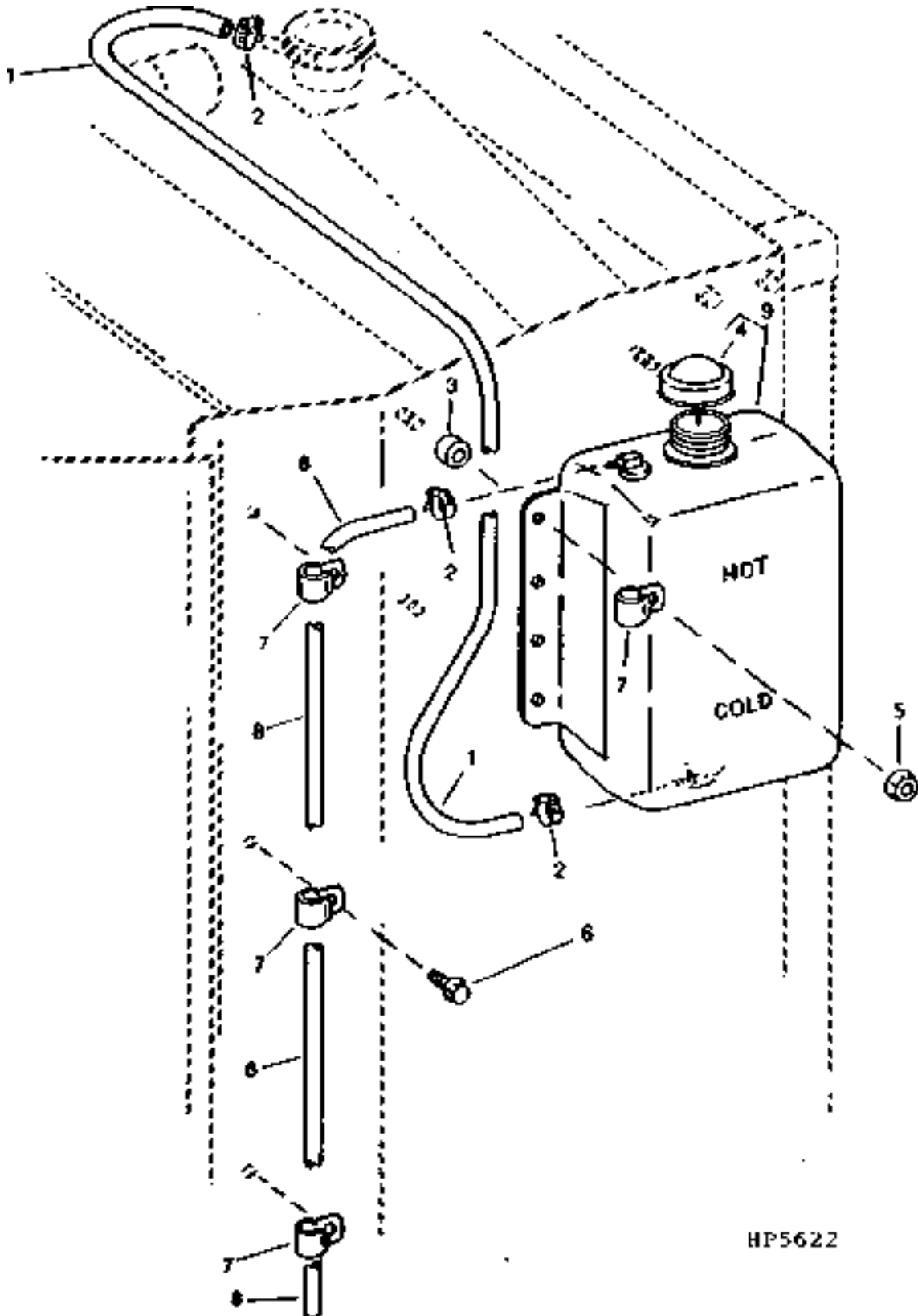
FUEL AND AIR

## RADIATOR AND HOSES - CONTINUED

KEY	PART NO.	PART NAME	QTY	SERIAL NO.	REMARKS
1	TY22472	CLAMP	5	-665400	(SUB FOR RE41991)
	AR21999	HOSE CLAMP	5	670401-	
2	AH137758	HOSE	1		
3	AH140930	HOSE	1		
4	AN191560	FILLER CAP	1	-665400	7 PSI USED ON CTS GRAIN AND RICE
	AH148649	FILLER CAP	1		
5	AH138940	RADIATOR	1		
	AH144719	RADIATOR	1	655420-	
6	AT13740	DRAIN VALVE	1		
7	H145832	CLAMP	4		
8	H147068	HOSE	1		
9	AH137641	HOSE	1		
10	H123297	CLAMP	1		
11	19M7865	SCREW	1		M8 X 16
	14M7298	FLANGE NUT	1		M8
12	H147111	TUBE	1		
13	TY22472	CLAMP	1		(SUB FOR RE41991)
14	H75541	CLAMP	2		
15	37M7083	SCREW	2		M8 X 12

# 1F18

COOLANT RECOVERY TANK  
HP5622 -UN-01JAN94



# 1F19

FUEL AND AIR

## COOLANT RECOVERY TANK - CONTINUED

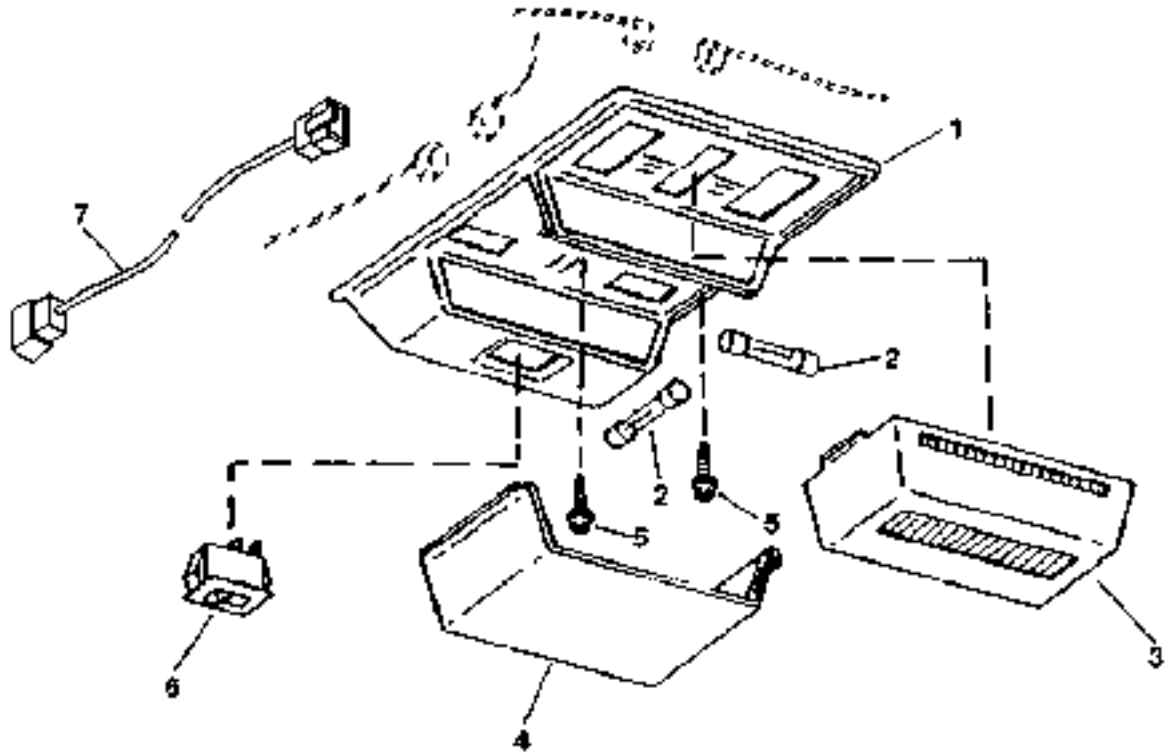
KEY	PART NO.	PART NAME	QTY	SERIAL NO.	REMARKS
1	TY22566	HOSE	1		(SUB FOR H147069 OR TY22412)
2	TY22462	CLAMP	3		(SUB FOR AR48236)
3	M78494	SPACER	4		
4	AT106413	CAP	1		
5	14M7298	FLANGE NUT	4	M8	
6	19M7865	SCREW	3	M8 X 16	
7	AH89557	CLIP	4		
8	H147068	HOSE	1		
9	AT162597	TANK	1		(SUB FOR AT104021)

MEMORANDA

# 2B11

ELECTRICAL

**CAB DOME LIGHT**  
 HP6762 -UN-18AUG97



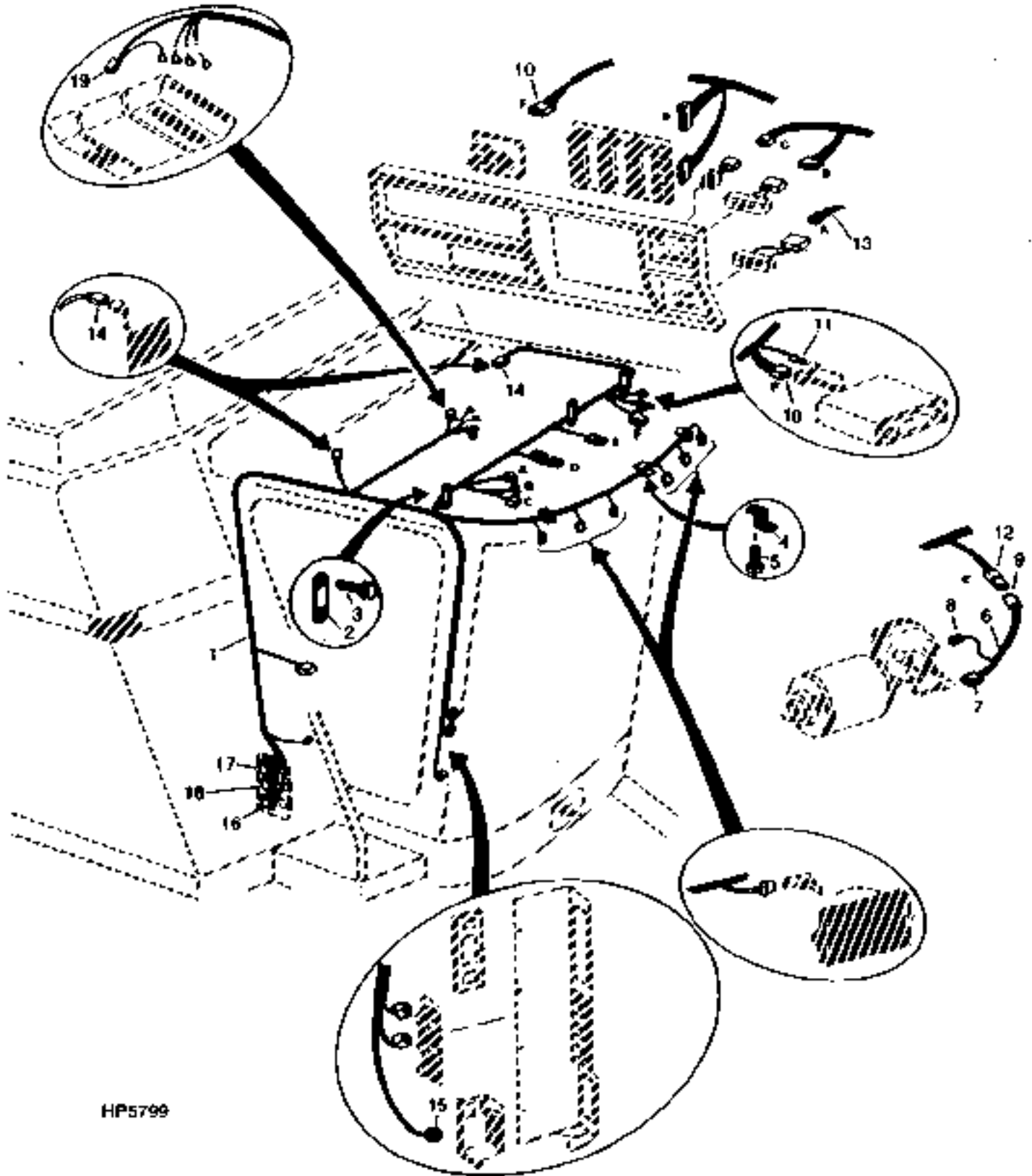
## HP6762

KEY	PART NO.	PART NAME	QTY	SERIAL NO.	REMARKS
1	H131985	BASE	1		
	H159831	BASE	1		
2	57M7173	BULB	2		
3	AH126831	COVER	1		
	AH153626	COVER	1		
4	H131982	LENS	1		
5	H123995	SCREW	2		
6	AH109555	ROCKER SWITCH	1		
	AH153910	SWITCH	1		
7	AH154151	WIRING HARNESS	1	29SEP7-	

# 2B12

ELECTRICAL

CAB WIRING HARNESS  
HP5799 -UN-15OCT94



HP5799



# 2B13

ELECTRICAL

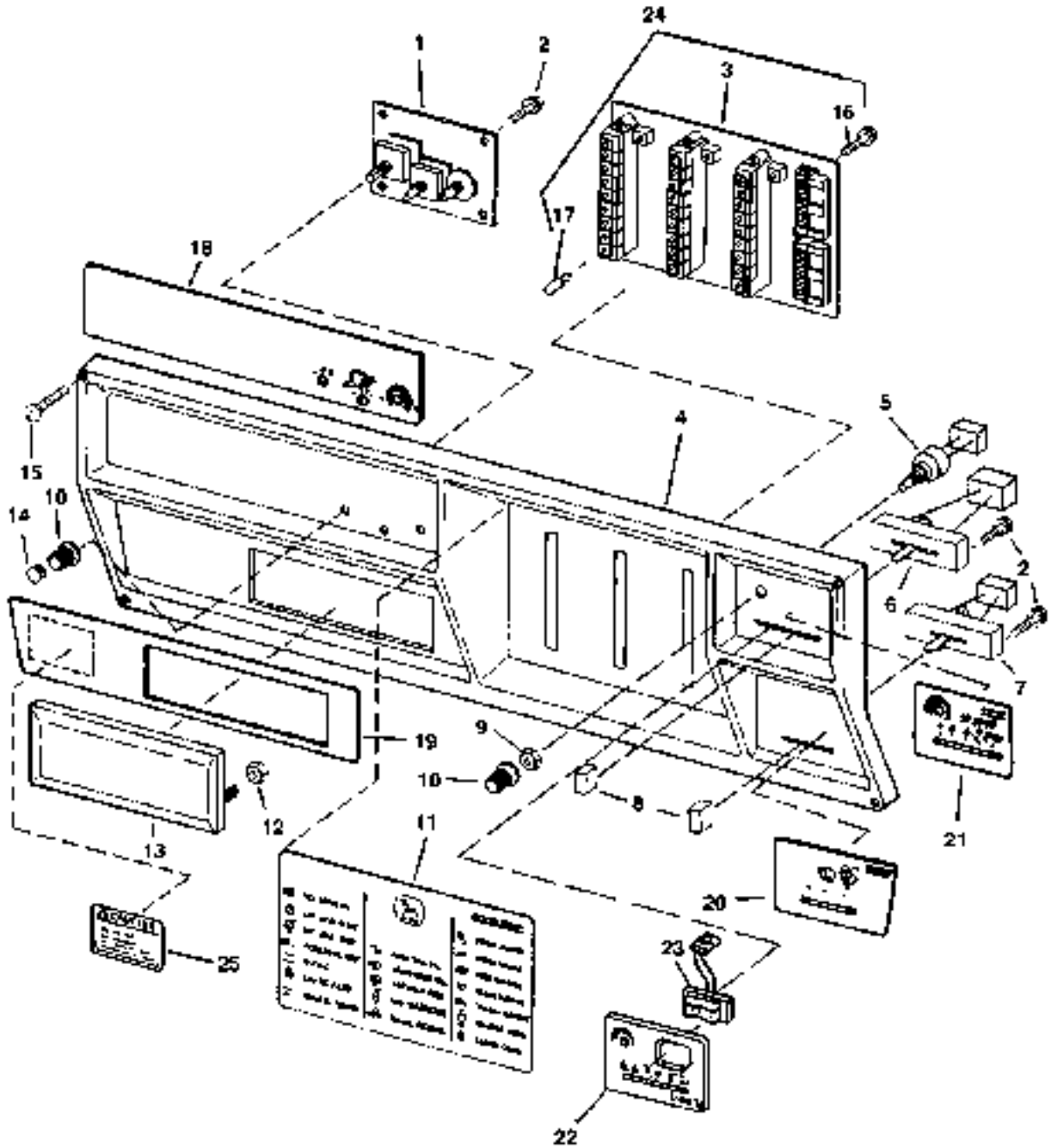
## CAB WIRING HARNESS - CONTINUED

KEY	PART NO.	PART NAME	QTY	SERIAL NO.	REMARKS
1	AH151774	WIRING HARNESS	1		(SUB FOR AH142155 OR AH145021)
2	H129440	STRAP	3		
3	H114038	SCREW	6		
4	AH89557	CLIP	3		(SUB FOR H131302)
5	H123995	SCREW	3		
6	AH126358	WIRING HARNESS	1		(OPT. REG. WIPER ONLY)
	AH143422	WIRING HARNESS	1		
7	R77481	CONNECTOR	1		(PKG. OF 2)
	U46662	TERMINAL	1		(PKG. OF 25)
8	T28583	RECEPTACLE CONNECTOR BODY	1		(PKG. OF 3)
	U46662	TERMINAL	1		(PKG. OF 25)
9	R78053	PIN CONTACT CONNECTOR BODY	1		(PKG. OF 3)
	R78061	PIN CONTACT	1		(PKG. OF 40)
10	H118416	PIN CONTACT	1		(6 HOLES)
	R77468	TERMINAL	1		(PKG. OF 5)
11	RE12362	CONNECTOR	1		(PKG. OF 3)
	R78057	SOCKET CONTACT	1		(PKG. OF 40)
	R78047	SEAL	1		(PKG. OF 5)
12	RE12363	CONNECTOR	1		(PKG. OF 3)
	U46662	TERMINAL	1		(PKG. OF 25)
	R78060	SOCKET CONTACT	1		(PKG. OF 40)
	R78048	TERMINAL NIPPLE	1		(PKG. OF 5)
13	T24167	RECEPTACLE CONNECTOR BODY	1		
	U46662	TERMINAL	1		(PKG. OF 50)
14	R77477	RECEPTACLE CONNECTOR BODY	2		(PKG. OF 2)
15	H118431	CONNECTOR	1		
16	H140664	CONNECTOR	1		(16 HOLES)
	R77464	PIN CONTACT	1		(PKG. OF 50)
17	H118430	CONNECTOR	1		(37 PIN CONNECTOR)
18	R77464	PIN CONTACT	1		
19	R77477	RECEPTACLE CONNECTOR BODY	1		(PKG. OF 2)
	U46662	TERMINAL	1		(PKG. OF 25)

# 2B14

ELECTRICAL

OVERHEAD CONSOLE PANEL  
HP6544 -UN-23AUG96



HP6544

# 2B15

ELECTRICAL

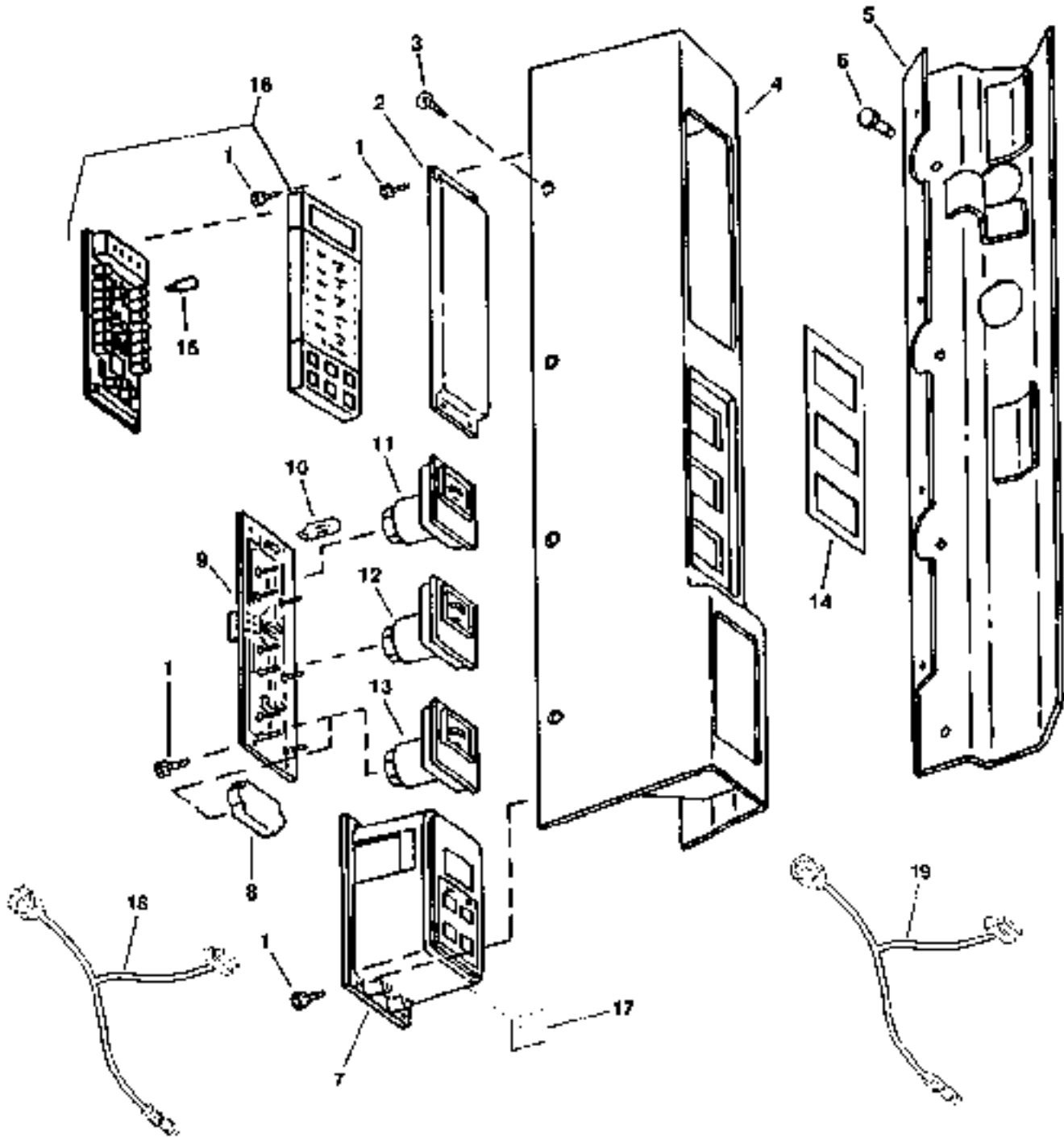
## OVERHEAD CONSOLE PANEL - CONTINUED

KEY	PART NO.	PART NAME	QTY	SERIAL NO.	REMARKS
1	AH125627	CIRCUIT BOARD	1		WITH HARVESTRAK
2	H111364	SCREW	AR		10 WITH HARVESTRAK, 6 W/O HARVESTRAK
3	AH154573	KIT	1		(SUB FOR AH136570 OR AH146208)
4	H161549	CONSOLE	1		(SUB H168421) (SUB FOR AH140610, AH145688 OR AH154277)
	H168421	PANEL	1		
5	AH115797	RHEOSTAT	1		
6	AH144741	SWITCH	1		(SUB FOR AH115799) LIGHTS
7	AH144742	SWITCH	1		(SUB FOR AH115800) WIPERS
8	H110848	KNOB	2	-655400	
	H150681	KNOB	2	655401-	
9	H140248	NUT	1		
10	H130153	KNOB	4		4 WITH HARVESTRAK, 1 W/O HARVESTRAK
11	H139214	PANEL	1		
12	H117239	FLANGE NUT	2		LESS RADIO
13	H132795	PANEL	1		LESS RADIO
14	H113924	PLUG	3	-650488	(INCLUDED IN AH140610 PANEL) LESS HARVESTRAK
	T15005	PLUG	3		
15	H130194	CAP SCREW	6		M4 X 30
16	H110842	SCREW	6		
17	AH108380	BULB	22		
18	H137539	PANEL	1		HARVESTRAK GRAPHICS DECAL
	H137538	PANEL	1		(LESS HARVESTRAK)
19	H145418	DECAL	1		RADIO TRIM DECAL
20	H145419	DECAL	1		WINDSHIELD WIPER GRAPHICS DECAL
21	H145420	DECAL	1	-660400	LIGHTS GRAFICS DECAL
22	H151376	DECAL	1	29SEP7-	LIGHTS GRAPHICS DECAL W/OPTIONAL AUX FIELD LIGHTS
23	AH145674	ROCKER SWITCH	1	660401-	USED WITH OPTIONAL AUX FIELD LIGHTS
24	AH154573	KIT	1		(SUB FOR AH146208) WARNING DISPLAY PANEL
25	H155510	SIGN	1	665401-	"CAUTION" SEATBELT

# 2B16

ELECTRICAL

CAB POST INSTRUMENT PANEL  
HP7510 -UN-06MAY98



HP7510

# 2B17

ELECTRICAL

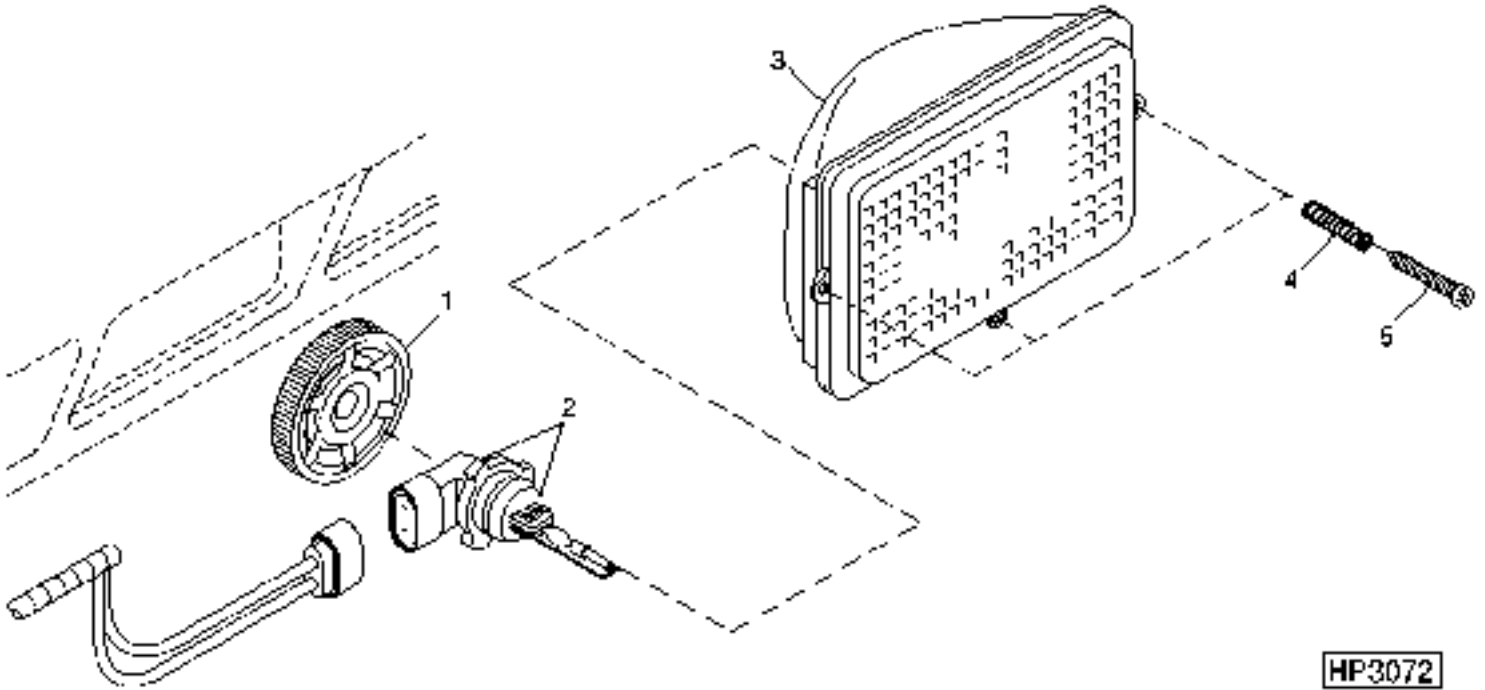
## CAB POST INSTRUMENT PANEL - CONTINUED

KEY	PART NO.	PART NAME	QTY	SERIAL NO.	REMARKS
1	21M7268	SCREW	AR		M3 X 6
2	H130058	PANEL	1		USE WITHOUT COMBINE DATA CENTER
3	H168424	SCREW	AR		(SUB FOR H130195 OR H158579)
4	AH140609	PANEL	1		
5	AH120570	BRACKET	1		
6	37M7089	SCREW	AR		M6 X 12
7	AH163526	KIT	1		(SUB FOR AH139889, AH141791, AH142327, AH142490, AH143068, AH147555, AH159984 OR AH161335)
8	H129686	COVER	1		USE ONLY WITHOUT HARVESTRAK
9	AH141984	CIRCUIT BOARD	1		(SUB FOR AH127572)
10	AA27536	BULB	3		
11	AH120444	GAUGE	1		FOR FUEL
12	AH139129	TEMPERATURE GAUGE	1	-665416	ENGINE
	AH159352	TEMPERATURE GAUGE	1	665417-	(SUB FOR AH148354) ENGINE
13	AH120445	GAUGE	1		HARVESTRAK
14	H145417	DECAL	1		GAUGE GRAPHICS DECAL
15	AH108380	BULB	20		
16	AH148192	KIT	1		(SUB FOR AH145565 OR AH142057)
17	R133617	LABEL	1	29SEP7-	
18	AH155577	WIRING HARNESS	1	29SEP7-	
19	AH155928	WIRING HARNESS	1	3NOV97-	
..	<b>BH81356</b>	<b>COMPLETE GOODS/SHIP. BUNDLE</b>	<b>1</b>		<b>DIGITAL CONCAVE INDICATOR</b>

# 2B18

ELECTRICAL

**CAB ROOF LIGHTS**  
HP3072 -UN-24AUG99



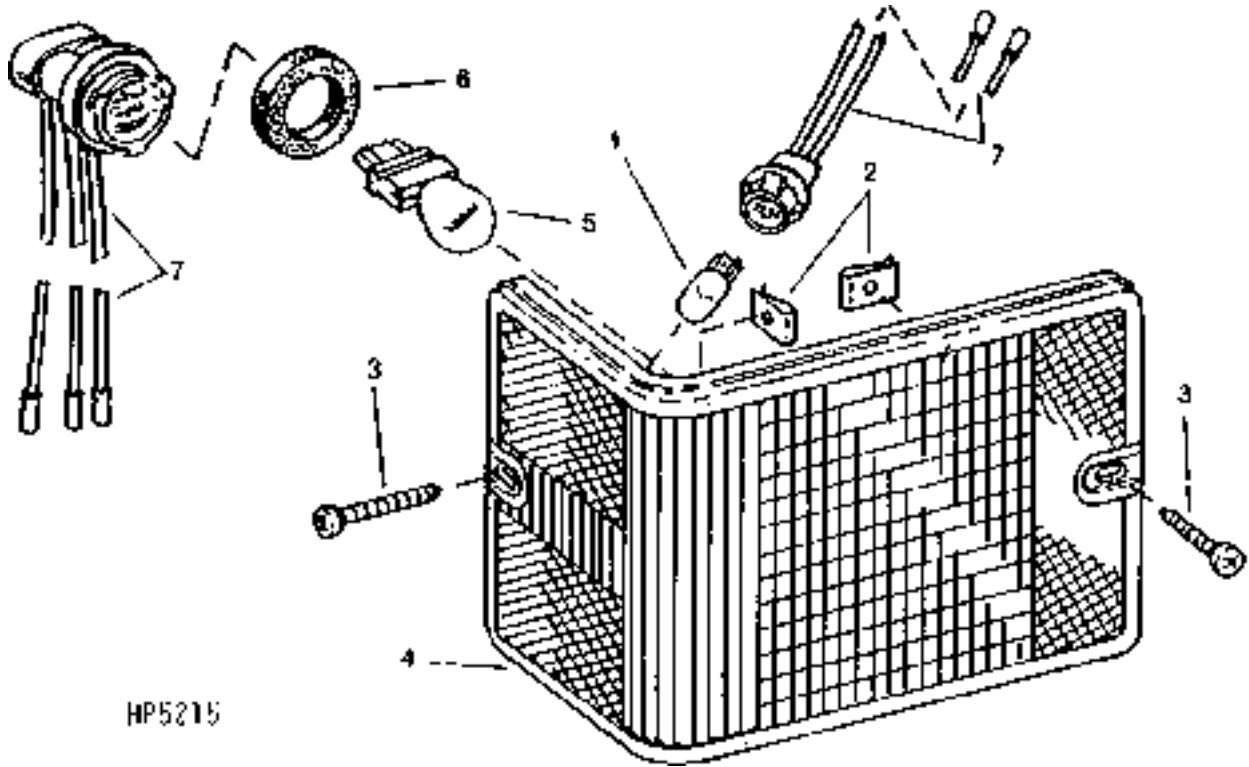
KEY	PART NO.	PART NAME	QTY	SERIAL NO.	REMARKS
1	H132900	RETAINER	6		
2	AH127718	BULB	6	(SUB AH162231)	
	AH162231	BULB	6		
3	AH128327	FLOODLAMP	4		
	AH128328	FLOODLAMP	2		
4	H130299	SPRING	18		
5	H130298	SCREW	18	M5 X 40	
..	<b>BH81453</b>	<b>COMPLETE GOODS/SHIP. BUNDLE</b>	1		<b>SHOE ADJUSTING LIGHT CONVERSION</b>

# 2B19

ELECTRICAL

## FRONT AND REAR TURN AND TAIL LIGHTS

HP5215 -UN-01JAN94



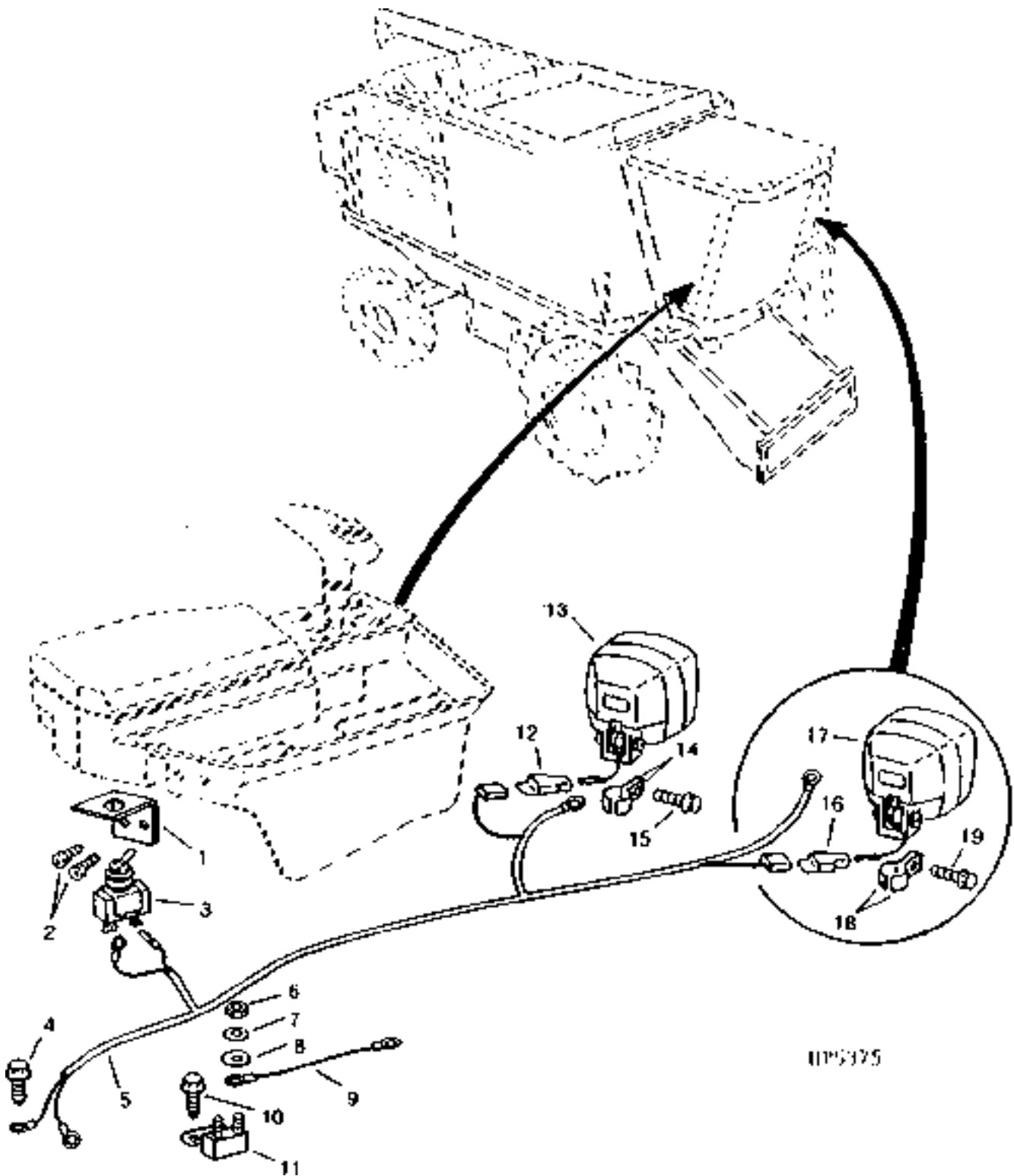
HP5215

KEY	PART NO.	PART NAME	QTY	SERIAL NO.	REMARKS
1	AR62407	BULB	6		
2	H140628	NUT	12	4.826 MM	
3	H140627	SCREW	12		
4	AH123014	LAMP	1		AMBER, R.H. FRONT
	AH123015	LAMP	1		AMBER, L.H. FRONT
	AH123016	LAMP	2		RED, R.H. AND L.H. REAR
	AH123017	TAIL LAMP	2		AMBER, R.H. AND L.H. REAR
5	H133384	BULB	6		
6	H141955	SEAL	1		
7	AH140120	KIT	1		SOCKET KIT (CONTAINS ONE LARGE REAR SOCKET AND ONE SMALL SIDE SOCKET)
..	<b>BH79711</b>	<b>COMPLETE GOODS/SHIP. BUNDLE</b>	<b>1</b>		<b>OPTIONAL FIELD LIGHTS</b>

# 2B20

ELECTRICAL

AUXILIARY FIELD LIGHTING  
HP5375 -UN-01JAN94





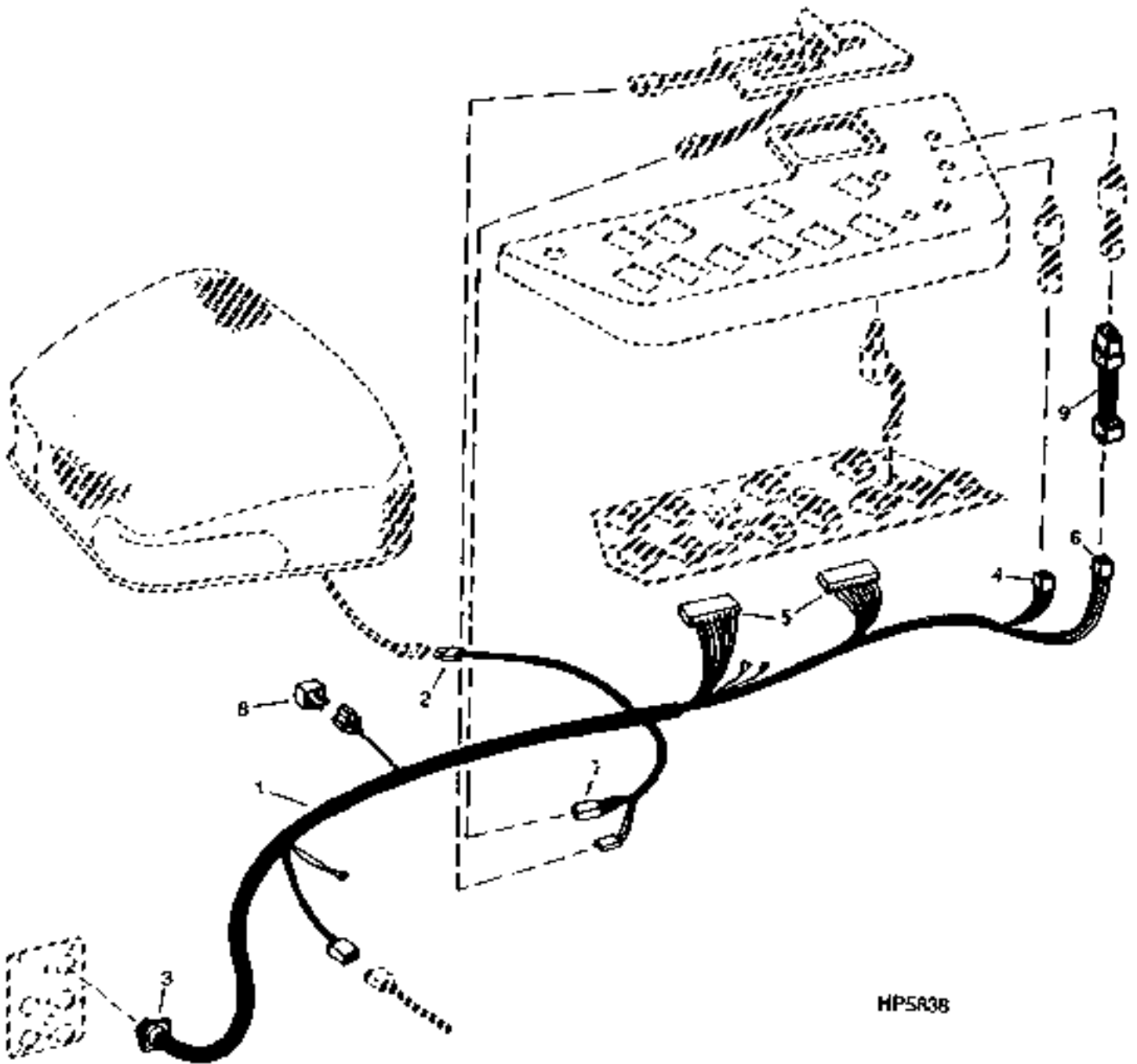
# 2B21

ELECTRICAL

## AUXILIARY FIELD LIGHTING - CONTINUED

KEY	PART NO.	PART NAME	QTY	SERIAL NO.	REMARKS
1	H147249	BRACKET	1		
2	H111706	SCREW	2		
3	AH87806	SWITCH	1		TO BRACKET IN CAB
4	37H147	SCREW	1		TO RELAY PANEL
5	AH141171	WIRING HARNESS	1		ROUTE ALONG R.H. MAIN WIRING HARNESS
6	14H631	NUT	2		0.190"
7	12H246	LOCK WASHER	2		0.190"
8	24M7027	WASHER	2		5.300 X 10 X 1 MM
9	AH141131	WIRING LEAD	1		ONE END TO BUSS BAR, OTHER TO CIRCUIT BREAKER
10	37H147	SCREW	2		
11	AR28403	CIRCUIT BREAKER	1		ATTACH TO ENGINE COMPARTMENT RELAY
12	T28585	TAB CONNECTOR BODY	1		
13	AT135485	FLOODLAMP	1		TO LEFT HAND SIDE
14	AH140706	KIT	1		CONTAINS TWO HALF CLAMPS
15	19M7867	SCREW	1		M8 X 25
16	T28585	TAB CONNECTOR BODY	1		
17	AT135485	FLOODLAMP	1		TO RIGHT HAND SIDE
18	AH140706	KIT	1		CONTAINS TWO HALF CLAMPS
19	19M7867	SCREW	1		M8 X 25
..	R44302	TIE BAND	AR		USE TO SECURE WIRING HARNESS TO ENGINE HARNESS
..	<b>BH79711</b>	<b>COMPLETE GOODS/SHIP. BUNDLE</b>	<b>1</b>		<b>OPTIONAL FIELD LIGHTS</b>

**ARMREST WIRING HARNESS**  
HP5838 -UN-15OCT94



HP5838

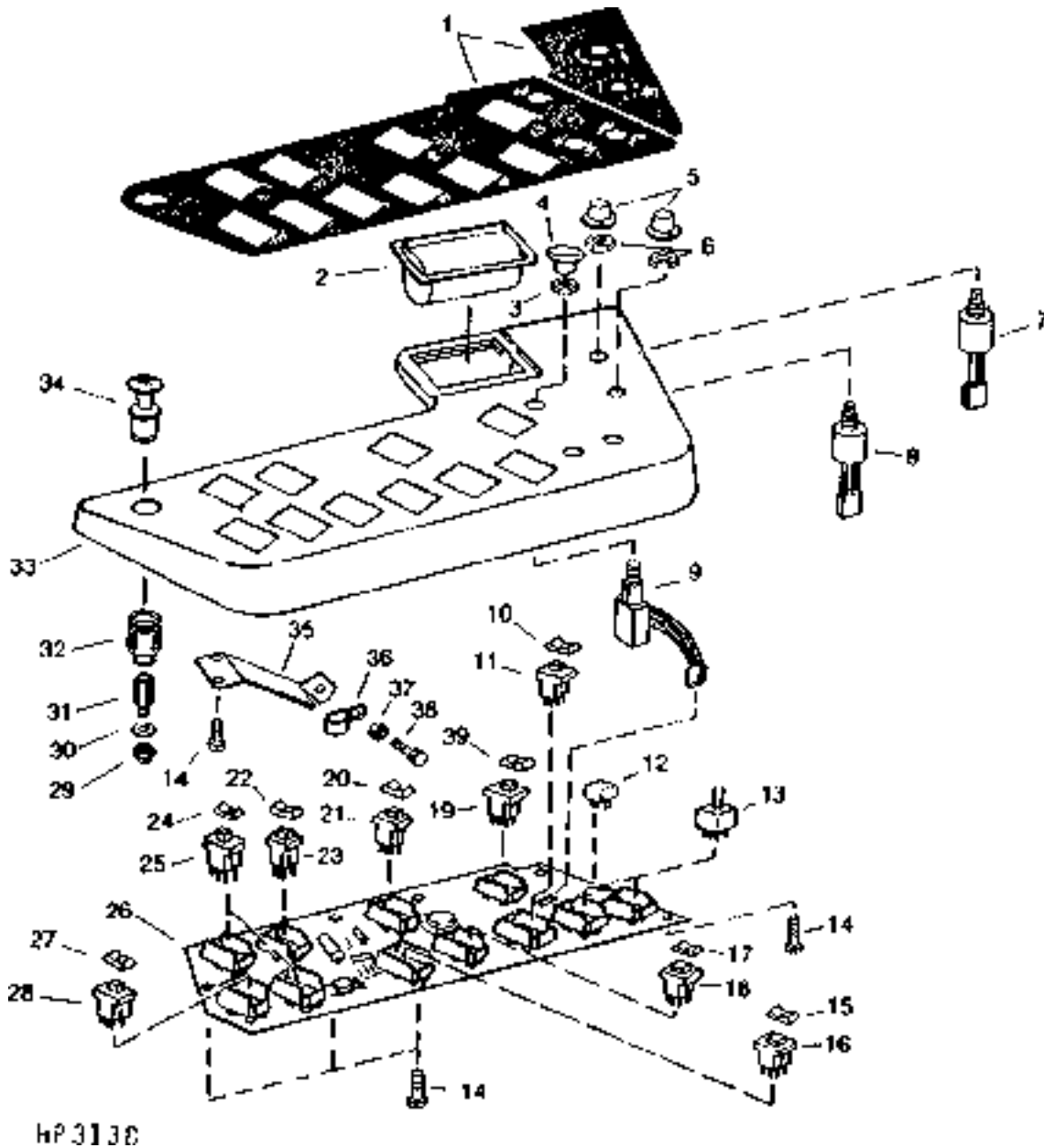
## ARMREST WIRING HARNESS - CONTINUED

KEY	PART NO.	PART NAME	QTY	SERIAL NO.	REMARKS
1	AH136467	WIRING HARNESS	1		(SUB FOR AH136467, AH143301 OR AH145026)
2	RE12363	CONNECTOR	1		(PKG. OF 5)
	R78048	TERMINAL NIPPLE	1		(PKG. OF 3)
	R78063	TERMINAL NIPPLE	1		(PKG. OF 40)
	R78060	SOCKET CONTACT	1		(PKG OF 40)
3	H118430	CONNECTOR	1		(37 PIN CONNECTOR)
4	AH116902	CONNECTOR	1		CONNECTS TO DIAL-A-SPEED SWITCH
5	R77465	SOCKET CONTACT	AR		
6	R77465	SOCKET CONTACT	AR		CONNECTS TO ADAPTER HARNESS
7	AH116902	CONNECTOR	1	-660400	CONNECTS TO SWITCHES IN HYDRO HANDLE
8	AH106612	RELAY	1		
9	AH145962	WIRING HARNESS	1	660401-660432	CONNECTS TO DIAL-A-MATIC SWITCH
	AH146207	WIRING HARNESS	1		CONNECTS TO DIAL-A-MATIC SWITCH (INCLUDES DECAL)

# 2B24

ELECTRICAL

ARMREST CONTROL PANEL  
HP3138 -UN-01JAN94



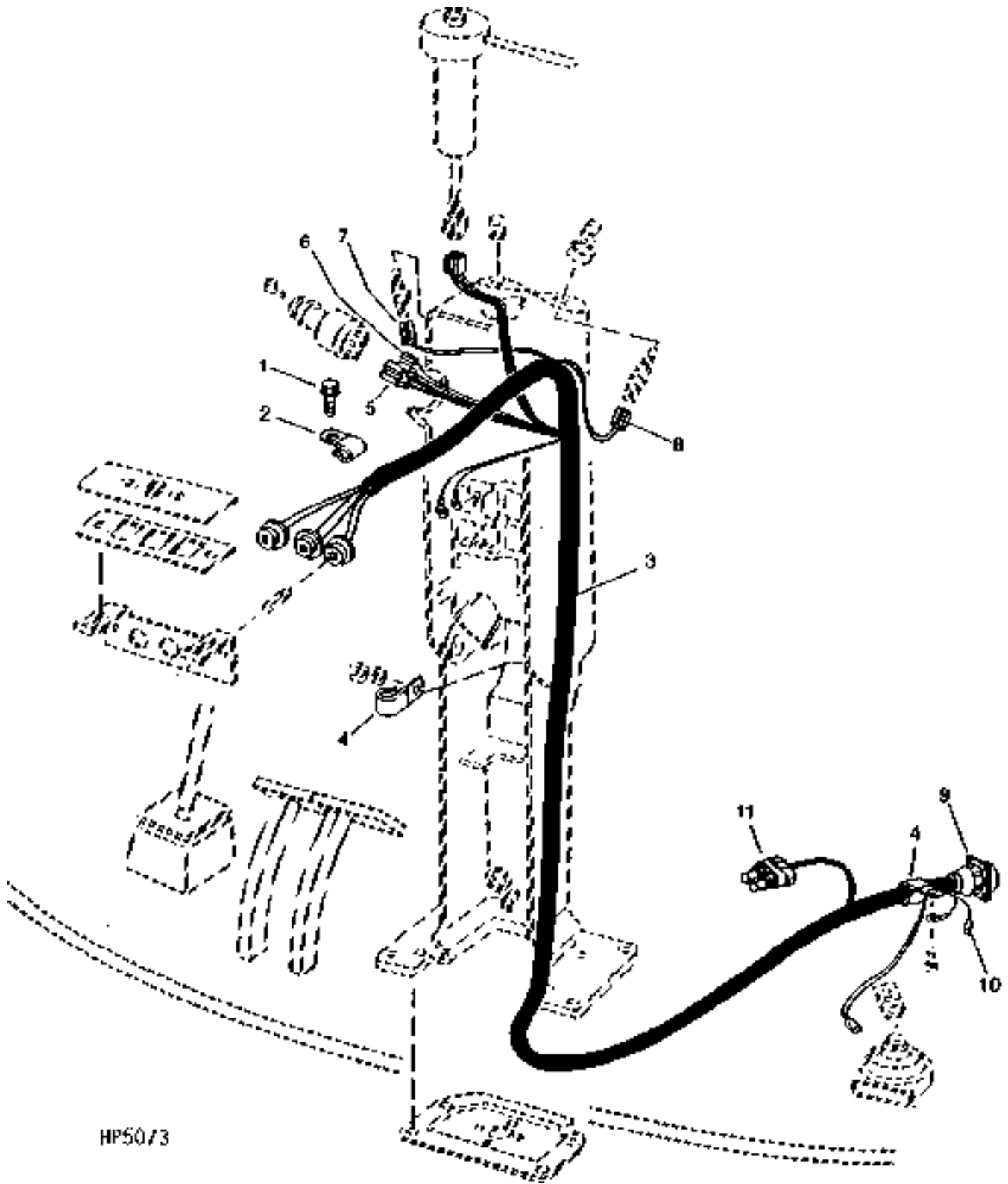
# 2B25

ELECTRICAL

## ARMREST CONTROL PANEL - CONTINUED

KEY	PART NO.	PART NAME	QTY	SERIAL NO.	REMARKS
1	H145284	PANEL	1		
	H150929	PANEL	1	660401-	(CONTOUR MASTER)
2	AH104259	ASHTRAY	1		
3	H140248	NUT	1		
4	H134169	KNOB	1		
5	AH126811	KNOB	1		(OPT)
6	H106246	LOCK NUT	1		(OPT)
7	AH145947	SWITCH	1		(SUB FOR AH135951)
8	AH121190	SWITCH	1		DIAL-A-SPEED ( OPT )
9	AH128904	SWITCH	1		UNLOADING AUGER ENGAGE
10	H143918	ACTUATOR	1		MANUAL REEL SPEED, REQUIRES H145511
11	AH109120	SWITCH	1		MANUAL REEL SPEED
12	AH106612	RELAY	1		
13	AH111704	TOGGLE SWITCH	2		HEADER ENGAGE OR SEPARATOR ENGAGE
14	H111706	SCREW	4		
15	H143918	ACTUATOR	1		
16	AH111705	ROCKER SWITCH	1		(CONTOUR MASTER)
17	H143918	ACTUATOR	1		ALSO REQUIRES H145511 SHEET OF LABELS
18	AH109120	SWITCH	1		
19	AH112169	ROCKER SWITCH	1		UNLOADING AUGER SWING
20	H143918	ACTUATOR	1		ENGINE SPEED, (ALSO REQUIRES H145511 SHEET OF LABELS)
21	AH111705	ROCKER SWITCH	1		ENGINE SPEED
22	H143918	ACTUATOR	1		4-WHEEL DRIVE (OPT) (ALSO REQUIRES H145511 SHEET OF LABELS)
23	AH111705	ROCKER SWITCH	1		4-WHEEL DRIVE (OPT)
24	H143918	ACTUATOR	1		CLEANING FAN OR CYL. SPEED, (ALSO REQUIRES H145511 SHEET OF LABELS)
25	AH109120	SWITCH	1		CLEANING FAN OR CYL. SPEED
26	AH153332	CIRCUIT BOARD	1		(SUB FOR AH141265 OR AH143720)
27	H143918	ACTUATOR	1		CONCAVE SPACING, (ALSO REQUIRES H145511 SHEET OF LABELS)
28	AH109120	SWITCH	1		CONCAVE SPACING
29	14H605	NUT	1		0.164"
30	12H290	LOCK WASHER	1		4.166 MM (0.164") (SUB 12M7084)
	12M7084	LOCK WASHER	1		4.300 MM (0.169")
31	H129367	SPACER	1		
32	AR56766	HOUSING	1		
33	H143593	COVER	1		
34	AR60937	LIGHTER	1		
35	H126846	BRACKET	1		
36	AH117301	CLAMP	1		
37	14M7298	FLANGE NUT	1		M8
38	19M7865	SCREW	1		M8 X 16
39	H143918	ACTUATOR	1		UNLOADING AUGER SWING, (REQUIRES H14511)
	H159740	LABEL	1		(SUB FOR H145511 OR H151908)
..	<b>BH79485</b>	<b>COMPLETE GOODS/SHIP. BUNDLE</b>	<b>1</b>		<b>DIAL-A-SPEED CONTROL</b>

## STEERING COLUMN WIRING HARNESS HP5073 -UN-01JAN94



HP5073

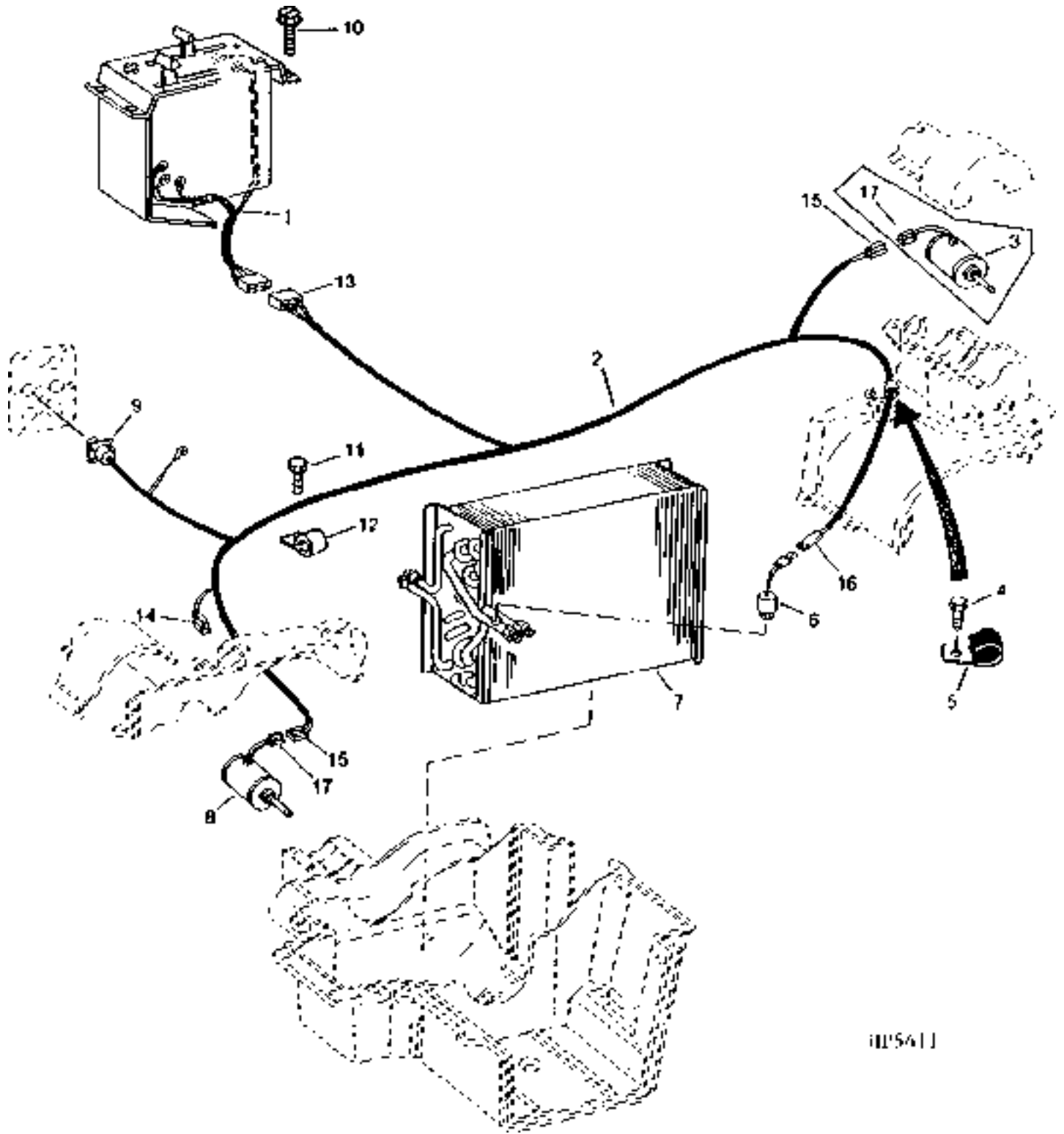
## STEERING COLUMN WIRING HARNESS - CONTINUED

KEY	PART NO.	PART NAME	QTY	SERIAL NO.	REMARKS
1	37M7083	SCREW	1	M8 X 12	
2	AH89557	CLIP	1		
3	AH134296	WIRING HARNESS	1		
4	AH96317	CLIP	2	(SUB FOR AH89486)	
5	L38138	RECEPTACLE CONNECTOR BODY	1		CONNECT TO KEY SWITCH
	M71442	TERMINAL	1		
6	T28583	RECEPTACLE CONNECTOR BODY	1		CONNECT TO KEY SWITCH
	U46662	TERMINAL	1		
7	M71184	CONNECTOR	1		CONNECT TO THE HORN SWITCH
	M71442	TERMINAL	1		
	U46663	TERMINAL	1		
8	M71184	CONNECTOR	1		CONNECT TO ETHER AID BUTTON
	M71442	TERMINAL	1		
9	57M7199	RECEPTACLE	1	(24 HOLES, PLAIN)	
10	R78053	PIN CONTACT CONNECTOR BODY	1	(PKG. OF 3)	
11	RE12363	CONNECTOR	1		TWO PIN, (PKG. OF 5), CONNECTS TO MANUAL PARK BRAKE SWITCH
	R78048	TERMINAL NIPPLE	1	(PKG. OF 3)	
	R78063	TERMINAL NIPPLE	1	(PKG. OF 40)	
	R78060	SOCKET CONTACT	1	(PKG. OF 40)	

## AIR CONDITIONER AND HEATER WIRING HARNESS

(-660400)

HP5411 -UN-01JAN94



HP5411



**AIR CONDITIONER AND HEATER WIRING HARNESS - CONTINUED**  
**( -660400)**

KEY	PART NO.	PART NAME	QTY	SERIAL NO.	REMARKS
1	AH144096	CONTROL	1		(INCLUDES (3) M48109 AND M82321) (SUB FOR AH140169)
2	AH148616	WIRING HARNESS	1		(SUB FOR AH128402, AH144018 OR AH136896)
3	AH128925	MOTOR	1		(USE WITH H129887) PRESSURIZER
	H129887	ISOLATOR	1		
4	19M7862	SCREW	1		M6 X 20
5	AH89557	CLIP	1	-650524	
6	AH144084	SWITCH	1		(SUB FOR AH116110) LOW PRESSURE
7	AH132264	EVAPORATOR	1		EVAPORATOR AND HEATER COMBINATION
8	AH128926	MOTOR	1		AC/HEATER RECIRCULATOR
9	H130511	CONNECTOR	1		
	R78061	PIN CONTACT	1		(PKG. OF 40)
10	H114038	SCREW	4		
11	H123998	SCREW	1		
12	AH96317	CLIP	1		(SUB FOR AH89486)
13	T34067	TERMINAL	1		(PKG. OF 25)
14	R77483	CONNECTOR	1		TO RESISTOR
15	R77476	CONNECTOR	2		(PKG. OF 2)
16	R78053	PIN CONTACT CONNECTOR BODY	1		(PKG. OF 3)
	R78061	PIN CONTACT	1		(PKG. OF 40)
	T34067	TERMINAL	1		(PKG. OF 25)
17	T28586	CONNECTOR	1		



**AIR CONDITIONER, HEATER AND AIR SEAT WIRING HARNESS - CONTINUED**  
**(660401- )**

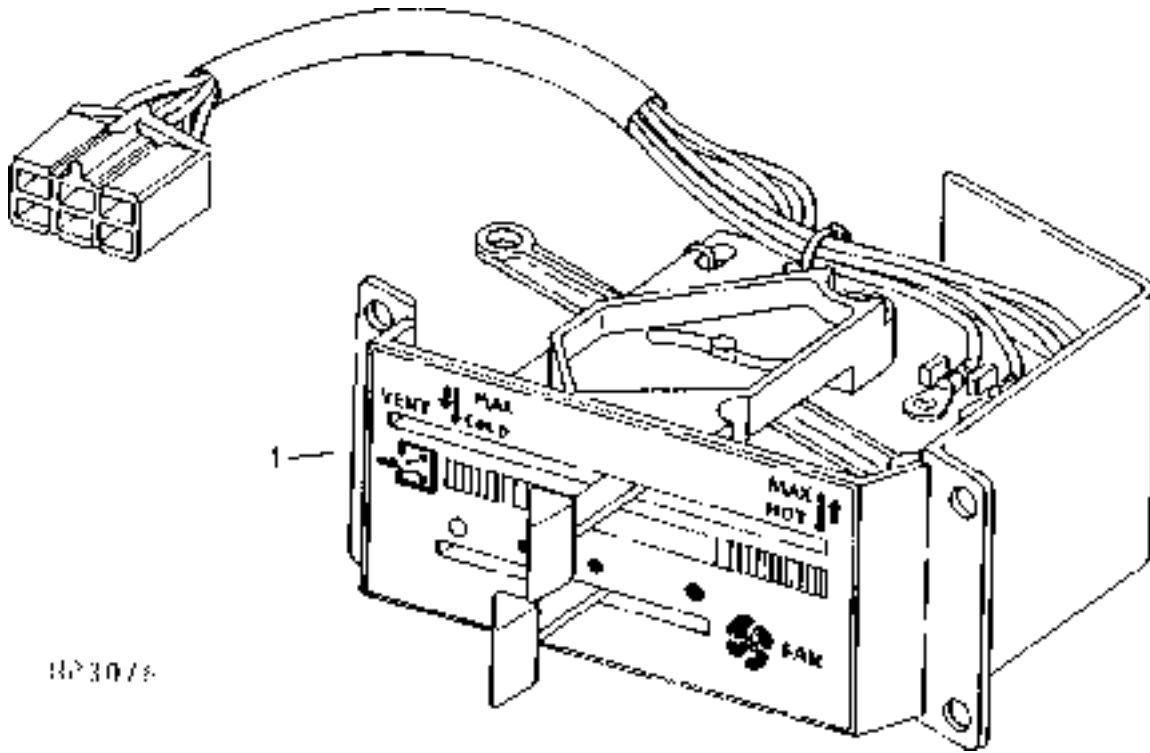
KEY	PART NO.	PART NAME	QTY	YEAR	REMARKS
1	AH144096	CONTROL	1		(INCLUDES (3) M48109 AND M82321)
	24H1914	WASHER	3		3.175 X 7.925 X 0.813 MM (1/8" X 5/16" X 0.032")
	M82321	NUT	1	-660400	6.100 MM (0.240")
	M80082	NUT	1		6.350 MM (1/4")
2	AH148616	WIRING HARNESS	1		(SUB FOR AH136896)
3	19M7862	SCREW	1		M6 X 20
4	AH89557	CLIP	1		
5	AH116110	SWITCH	1		LOW TEMP
6	AH132264	EVAPORATOR	1		EVAPORATOR AND HEATER COMBINATION
7	AH128926	MOTOR	1		
8	H130511	CONNECTOR	1		(4 PIN)
	R78061	PIN CONTACT	1		(PKG OF 40)
9	H114038	SCREW	4		
10	H123998	SCREW	1		
11	AH96317	CLIP	1		(SUB FOR AH89486)
12	T34067	TERMINAL	1		(PKG OF 25)
13	R77483	CONNECTOR	3		(2 PIN)
14	R77476	CONNECTOR	1		(PKG OF 2) (3 PIN)
15	R78053	PIN CONTACT CONNECTOR BODY	1		(PKG OF 3) (2 PIN)
	R78061	PIN CONTACT	1		(PKG OF 40)
	T34067	TERMINAL	1		(PKG OF 25)
16	T28586	CONNECTOR	1		(3 PIN)
17	AH128925	MOTOR	1	650525-	PRESSURIZER
	H129887	ISOLATOR	1		(USE WITH AH128925)
18	AM108845	KIT	1		



**AIR CONDITIONER PRESSURIZER FAN KIT - CONTINUED**  
**(640401-650400)**

KEY	PART NO.	PART NAME	QTY	SERIAL NO.	REMARKS
1	H115521	ISOLATOR	2		
2	AH128925	MOTOR	1		
3	H124185	FAN	1		
4	24M7117	WASHER	1		4.300 X 9 X 0.800 MM
5	14M7264	LOCK NUT	1		M4
6	AH144044	WIRING HARNESS	1		
7	H150119	LABEL	1		
8	AH144339	KIT	1		

**AIR CONDITIONER AND HEATER SWITCH**  
 HP3076 -UN-01JAN94



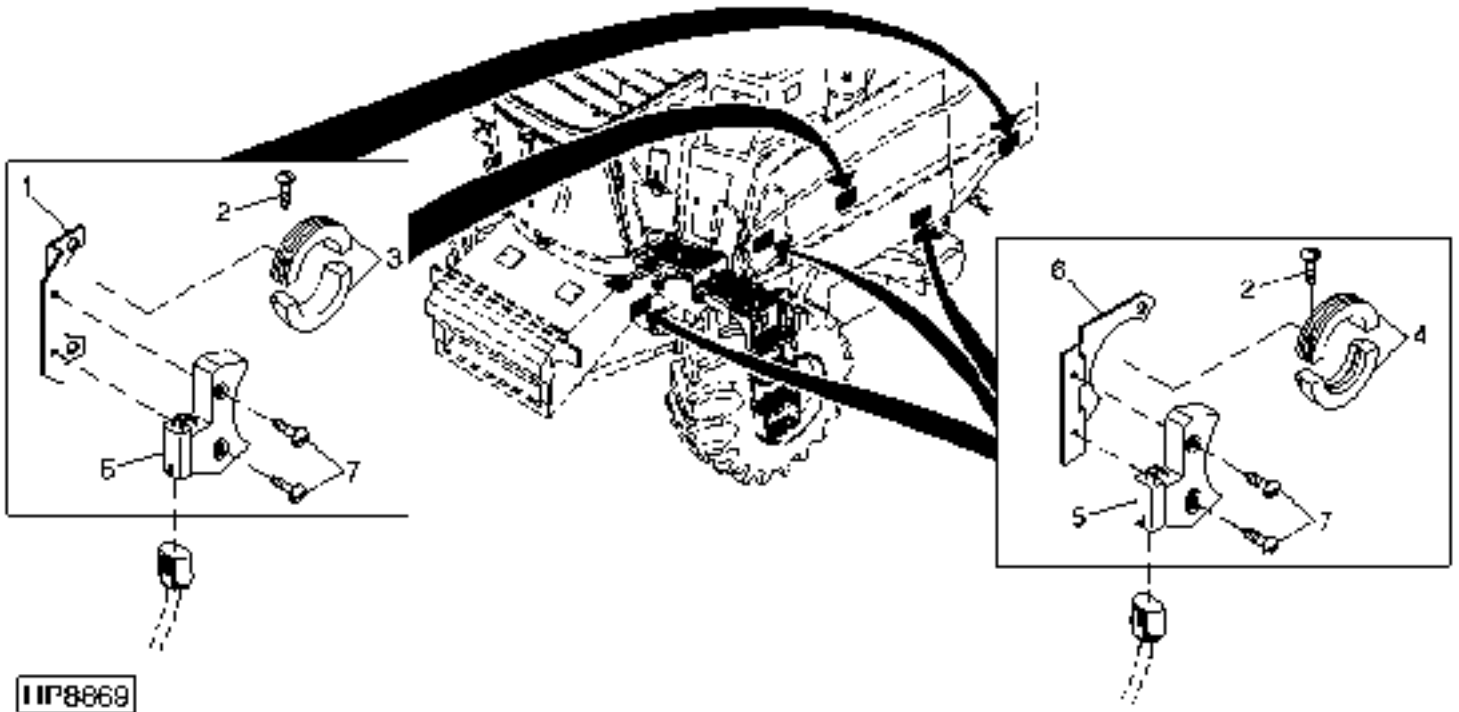
KEY	PART NO.	PART NAME	QTY	SERIAL NO.	REMARKS
1	AH144096	CONTROL	1	(SUB FOR AH140169)	

# 2C10

ELECTRICAL

## LOW SHAFT SPEED SENSORS AND BRACKETS

HP8869 -UN-28JUL99



KEY	PART NO.	PART NAME	QTY	SERIAL NO.	REMARKS
1	H148270	BRACKET	2		(SUB FOR AH100012)
2	H168924	SCREW	AR		
3	AH161839	MAGNET	1		(SUB FOR H104793 OR H104794) LARGE
4	AH161838	MAGNET	1		(SUB FOR H104795 OR H104796) LARGE MAGNETIC
5	AH131320	SWITCH	5		
6	H148271	BRACKET	3		(ORDER (2) 37M7077) (SUB FOR AH100013)
7	37M7077	SCREW	10		4.8 X 32 MM (.1890" X 1.2598")





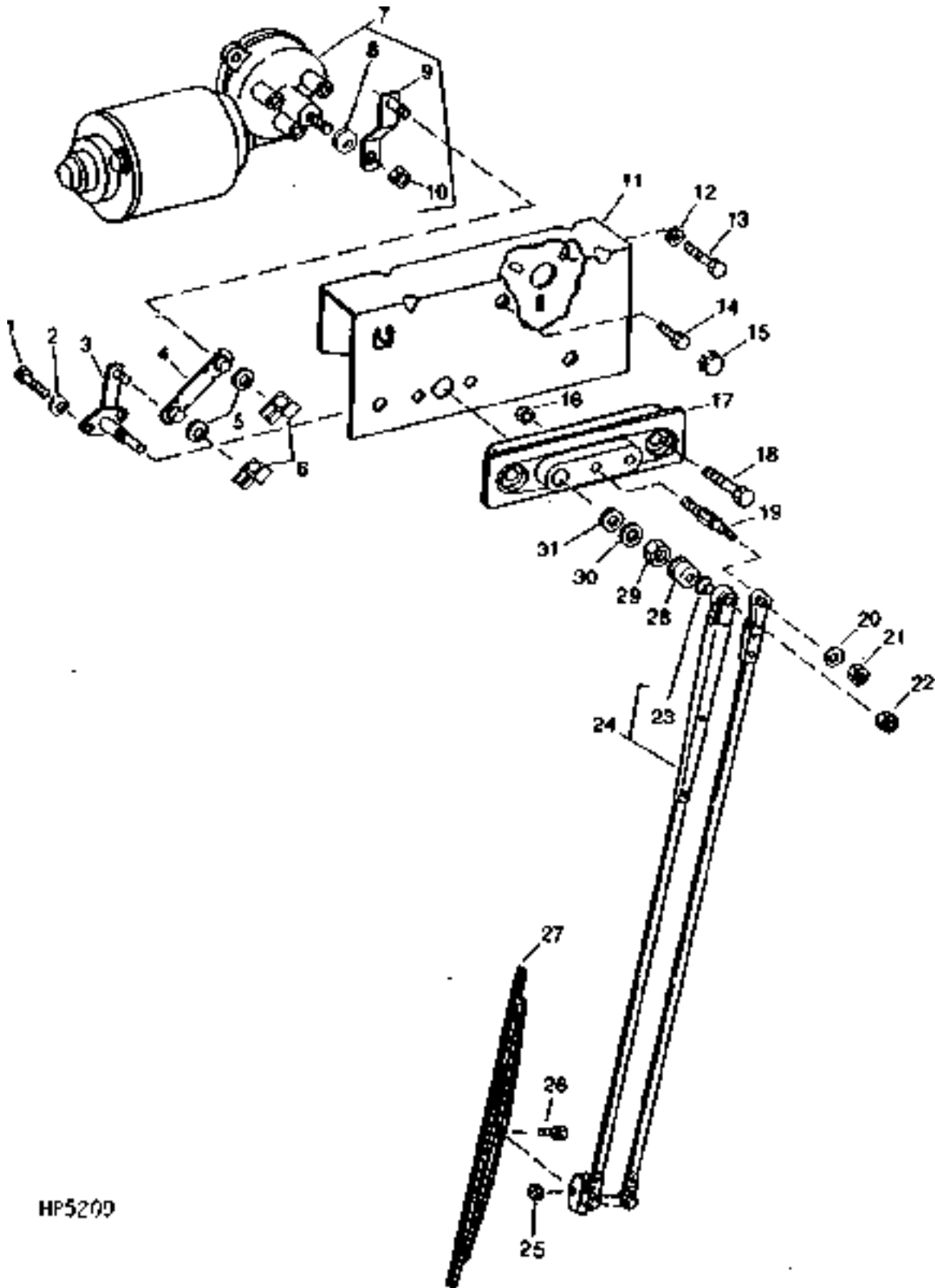
**WINDSHIELD WIPER (OPT. LONG) - CONTINUED**

KEY	PART NO.	PART NAME	QTY	SERIAL NO.	REMARKS
1	AH149835	MOTOR	1	(SUB FOR AH123900)	
2	AH123902	LINK	1		
3	AH149834	CRANK	1	(SUB FOR AH123901)	
4	E64256	LOCK NUT	AR		
5	AH154278	BRACKET	1	(SUB FOR H128819)	
6	19M7774	SCREW	3	M6 X 12	
7	19M7865	SCREW	AR	M8 X 16	
8	R34337	PLUG	1		
9	14M7303	FLANGE NUT	AR	M6	
10	H128820	SUPPORT	1		
11	19M8317	SCREW	2	M8 X 40	
12	H128821	STUD	1		
13	R63666	WASHER	1	18.288 X 28.448 X 1.524 MM (0.720" X 1.120" X 0.060")	
14	R63667	WASHER	1	18.263 X 28.575 X 1.575 MM (23/32" X 1-1/8" X 1/16")	
15	R63668	NUT	AR	17.475 MM (11/16")	
16	R63669	CAP	1		
17	AH123908	WIPER ARM	1		
18	H128841	SPACER	1		
19	T32255	SHIM	AR		
20	T531T	LOCK NUT	AR		
21	AH123907	ARM	1		
22	F3220R	LOCK NUT	AR		
23	.....	PIN	1	FOR SHIPPING ONLY	
24	AH123905	ARM	1		
25	H128823	STRAP	1		
26	H128859	SCREW	AR		
27	AH123910	BRACKET	1		
28	AH123909	WIPER BLADE	3		
29	AH123911	WIPER ARM	1		
30	AH149833	SHAFT	1	(SUB FOR AH123903)	
31	21M7265	SCREW	2	M5 X 12	
32	12H295	LOCK WASHER	1		
33	R78053	PIN CONTACT CONNECTOR BODY	1	(PKG. OF 3)	
	R78058	PIN CONTACT	1	(PKG. OF 40)	
	R78063	TERMINAL NIPPLE	1	(PKG. OF 40)	
34	R63670	WELD NUT	1	KNURLED DRIVER (INCLUDED WITH AH123904 WIPER ARM)	
35	AH123904	WIPER ARM	1		
36	12H356	LOCK WASHER	3	6.350 MM (1/4")	
..	<b>BH71948</b>	<b>COMPLETE GOODS/SHIP. BUNDLE</b>	<b>1</b>	<b>WINDSHIELD WIPER - LONG</b>	

# 2C13

ELECTRICAL

WINDSHIELD WIPER (SHORT)  
HP5209 -UN-01JAN94



HP5209

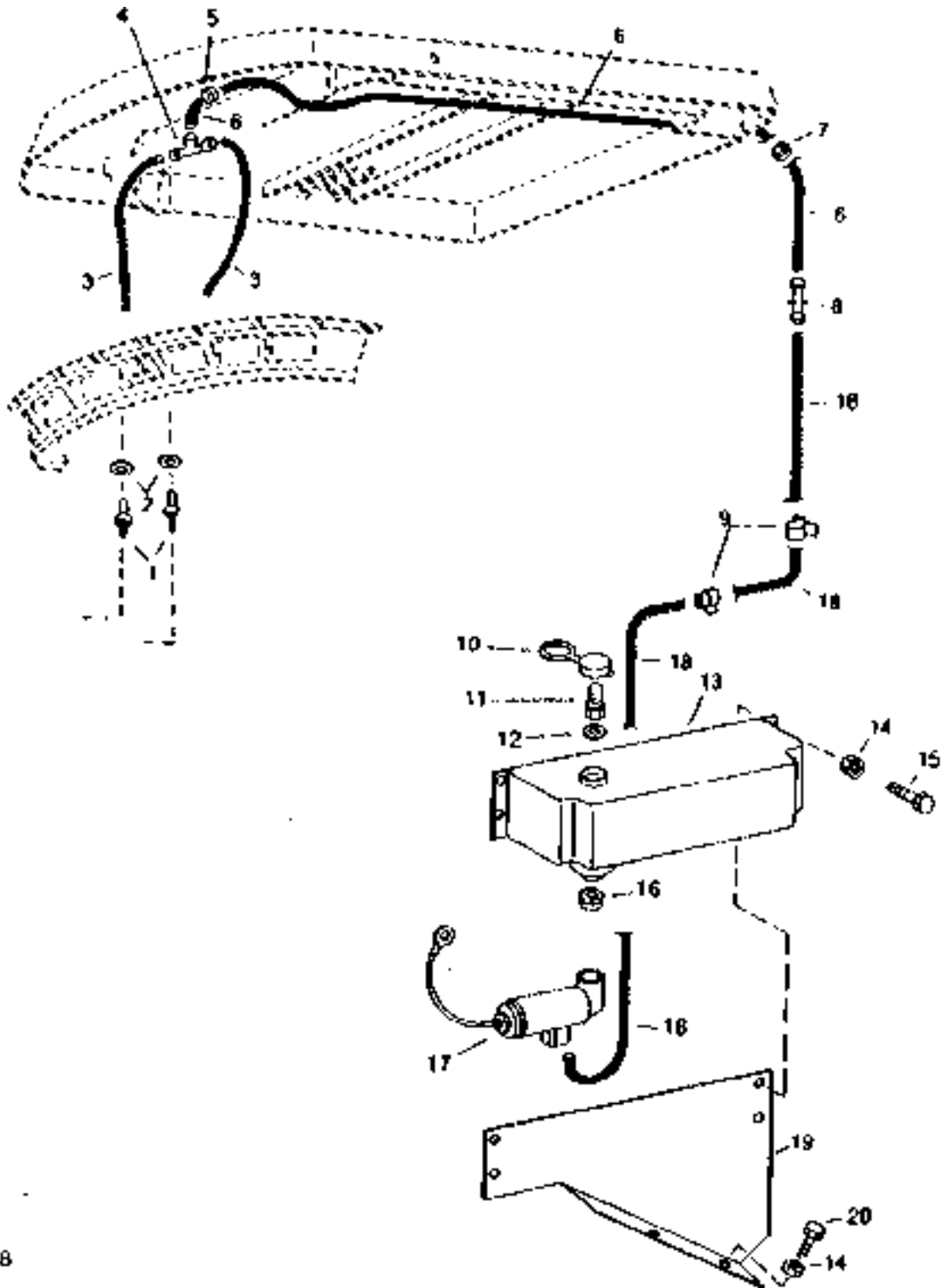
## WINDSHIELD WIPER (SHORT) - CONTINUED

KEY	PART NO.	PART NAME	QTY	SERIAL NO.	REMARKS
1	21M7265	SCREW	2		M5 X 12
2	12H295	LOCK WASHER	2		0.190"
3	AH123931	SHAFT	1		(INCLUDES U46507)
	U46507	PIN	1		
4	AU43853	LINK	1		
5	T32255	SHIM	2		
6	U46506	CLIP	2		
7	AT66481	WIPER MOTOR	1		(SUB FOR AH130421 OR AH143417)
8	U46508	WASHER	1		11.760 X 18.923 X 0.254 MM (0.463" X 0.745" X 0.010")
9	AT141987	ARM	1		(SUB FOR AH123934 OR AH143445) USE WITH AT66481
10	AU43857	LOCK NUT	1	-655400	6.350 MM (1/4") (USE WITH AH130421)
	N10213	LOCK NUT	1	655401-	(USE WITH AT66481)
11	AH154278	BRACKET	1		(SUB FOR H128819)
12	12H356	LOCK WASHER	3		1/4"
13	19H3138	CAP SCREW	3		1/4" X 5/8"
14	19M7865	SCREW	1		M8 X 16
15	R34337	PLUG	1		
16	14M7303	FLANGE NUT	1		M6
17	H128820	SUPPORT	1		
18	19M8317	SCREW	2		M8 X 40
19	H128822	STUD	1		
20	T32255	SHIM	1		
21	T531T	LOCK NUT	1		4.775 MM (3/16")
22	F3220R	LOCK NUT	1		9.525 MM (3/8")
23	R63670	WELD NUT	1		INCLUDED IN AH123932
24	AH144503	WIPER ARM	1		(SUB FOR AH123932 OR AH142336)
25	T35440	LOCK NUT	1		
26	H134367	SCREW	1		3.175 X 22.200 MM
27	AH123933	WIPER BLADE	1		
28	R63669	CAP	1		
29	R63668	NUT	1		17.475 MM (11/16")
30	R63667	WASHER	1		18.263 X 28.575 X 1.575 MM (23/32" X 1-1/8" X 1/16")
31	R63666	WASHER	1		18.288 X 28.448 X 1.524 MM (0.720" X 1.120" X 0.060")

# 2C15

ELECTRICAL

WINDSHIELD WASHER  
HP3768 -UN-01JAN94



HP3768

# 2C16

ELECTRICAL

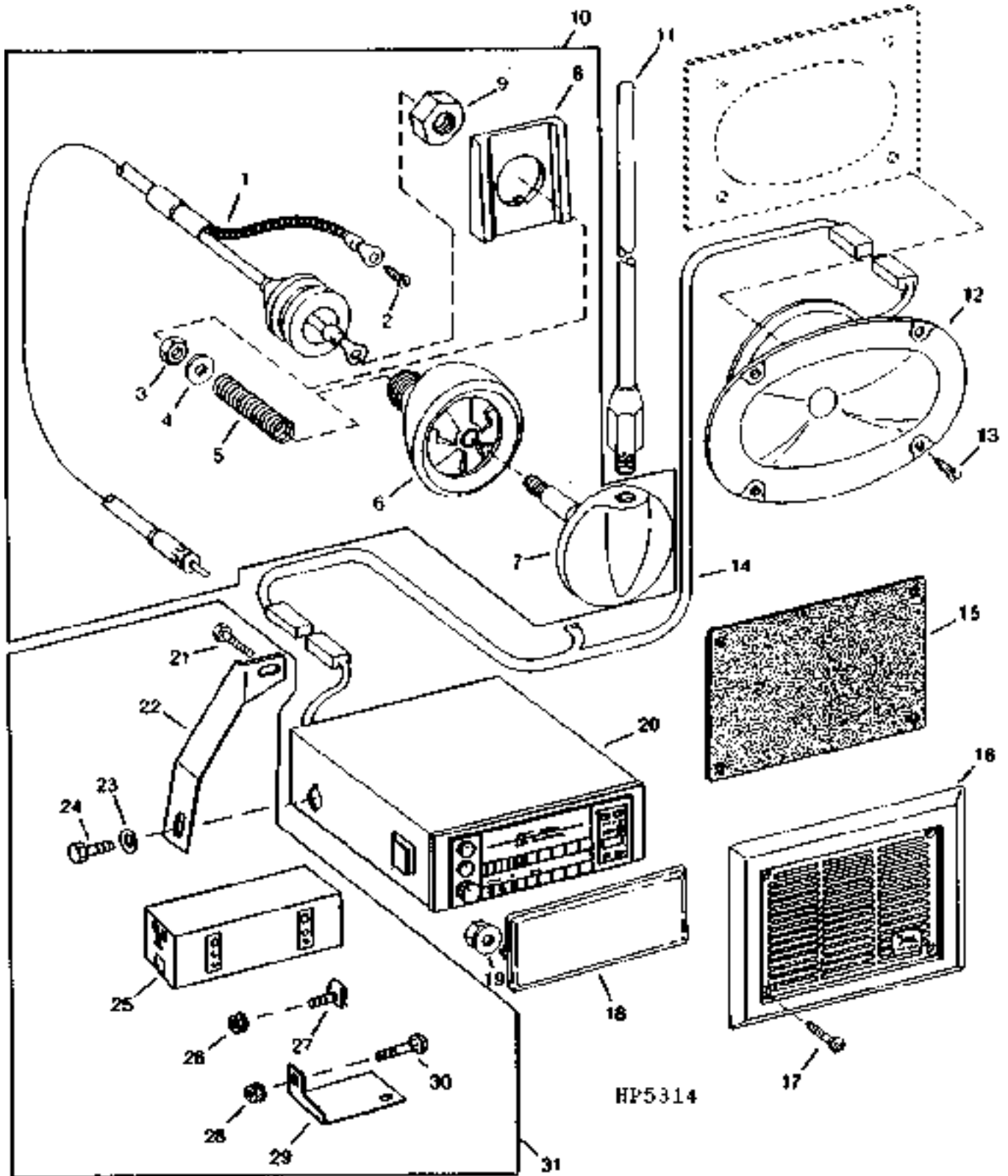
**WINDSHIELD WASHER - CONTINUED**

KEY	PART NO.	PART NAME	QTY	SERIAL NO.	REMARKS
1	AR79548	NOZZLE	2		
2	H145221	GROMMET	2		
3	R54447	HOSE	2		(CUT TO LENGTH)
4	R64061	TEE FITTING	1		
5	M68701	GROMMET	1		
6	R104595	BULK HOSE	1		(SUB FOR R54445)
7	H987R	GROMMET	1		
8	H132597	FITTING	1		
9	H76064	CLIP	2		
10	R64060	CAP	1		
11	AR79550	FILTER	1		
12	R64059	WASHER	1		16.256 X 26.162 X 2.286 MM
13	R64056	RESERVOIR	1		
14	14M7303	FLANGE NUT	6		M6
15	19M7775	SCREW	4		M6 X 16
16	R64058	GROMMET	1		
17	AR79549	PUMP	1		
18	R104595	BULK HOSE	1		(CUT TO LENGTH AS NEEDED) (SUB FOR R54445)
19	H131595	BRACKET	1		
20	19M7774	SCREW	2		M6 X 12
..	<b>BH78370</b>	<b>COMPLETE GOODS/SHIP. BUNDLE</b>	<b>1</b>		<b>WINDSHIELD WASHER</b>

# 2C17

ELECTRICAL

RADIO, SPEAKERS AND ANTENNA (OPTIONAL)  
HP5314 -UN-01JAN94



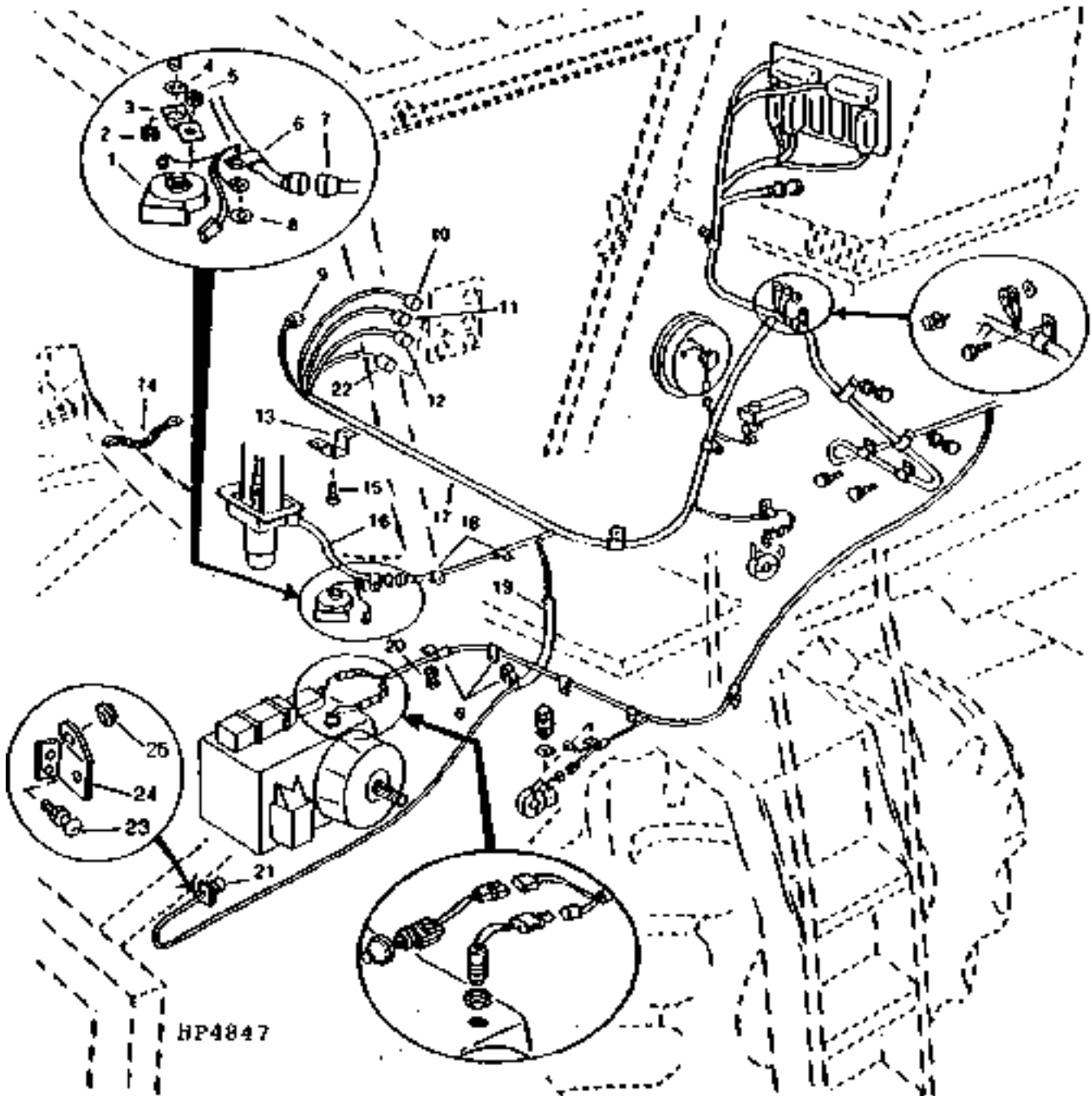
**RADIO, SPEAKERS AND ANTENNA - CONTINUED  
(OPTIONAL)**

KEY	PART NO.	PART NAME	QTY	SERIAL NO.	REMARKS
1	.....	WIRING LEAD	1	(SUB AH141012)	
2	37M7089	SCREW	1	M6 X 12	
3	14M7152	NUT	2	M10	
4	24H1303	WASHER	1	13/32" X 11/16" X 0.065"	
	24M7096	WASHER	1	10.500 X 18 X 1.600 MM	
5	.....	SPRING	1	(SUB AH141012)	
6	.....	FLANGE	1	(SUB AH141012)	
7	.....	BASE	1	(SUB AH141012)	
8	.....	SPACER	1	(SUB AH141012)	
9	14M7309	NUT	1	M24	
10	AH141012	KIT	1		
11	AR104516	ANTENNA	1		
12	AH138098	SPEAKER	2		
13	37M7215	SCREW	8		
14	AH151774	WIRING HARNESS	1	(SUB FOR AH136466, AH142155 OR AH145021)	
15	H145264	ISOLATOR	2		
16	H144255	GRILLE	1		
17	37M7100	SCREW	2		
18	H132795	PANEL	1		
19	H117239	FLANGE NUT	1		
20	AH140785	RADIO	1	-655400	AM/FM WITH CASSETTE AND WEATHERBAND
	RE55278	RADIO	1	655401-	AM/FM STEREO (NO LONGER AVAILABLE) (ORDER DIRECTLY FROM WATERLOO)
	AH140784	RADIO	1	-655400	AM/FM (DELCO)
	RE55277	RADIO	1	655401-	AM/FM WITH CASSETTE AND WEATHER BAND (NO LONGER AVAILABLE) (ORDER DIRECTLY FROM WATERLOO)
21	H114038	SCREW	1	(SUB AH140786) THROUGH RADIO SUPPORT TO OVERHEAD CONSOLE ASSEMBLY	
22	.....	SUPPORT	1	(SUB AH140786)	
23	24M7027	WASHER	1	5.300 X 10 X 1 MM, (SUB FOR AH136466) USED ON 19M7700 CAP SCREW	
24	19M7700	CAP SCREW	1	M5 X 10, THROUGH SUPPORT INTO RADIOS AH140784 AND AH140785	
25	.....	SLEEVE	1	(SUB AH140786) USED WITH RADIOS AH140784 AND AH140785	
26	14M7375	FLANGE NUT	1	M5, USED ON BOLT (KEY 27)(NOT USED ON THIS MODEL)	
27	.....	BOLT	1	(SUB AH140786)	
28	14M7303	FLANGE NUT	1	M6, USED ON 03M7251	
29	.....	BRACKET	1	(SUB AH140786)	
30	03M7251	BOLT	1	M6 X 12	
31	AH140786	KIT	1		

# 2C19

ELECTRICAL

L.H. MAIN WIRING HARNESS, L.H. FRONT  
HP4847 -UN-01JAN94



HP4847



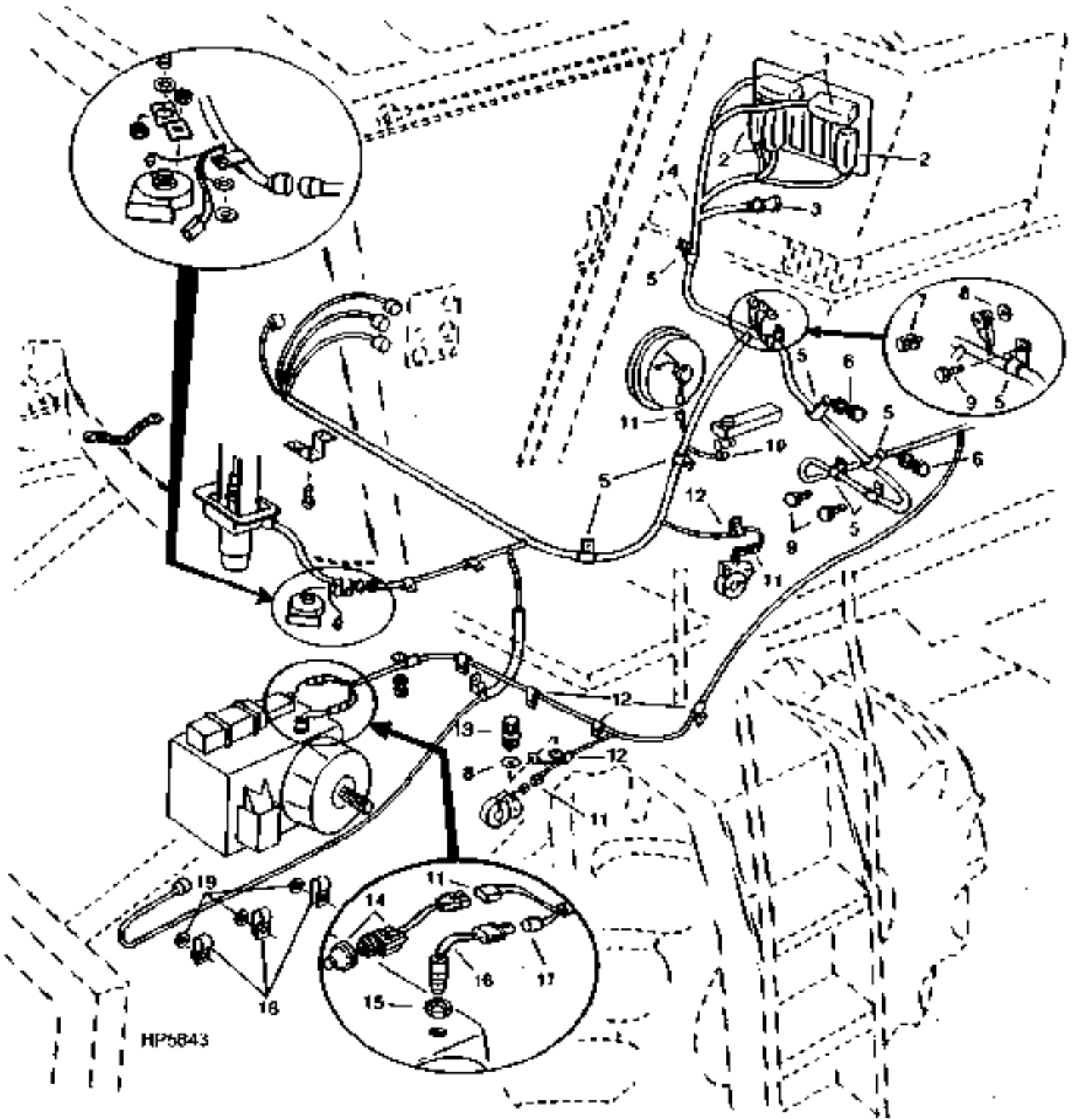
## L.H. MAIN WIRING HARNESS, L.H. FRONT - CONTINUED

KEY	PART NO.	PART NAME	QTY	SERIAL NO.	REMARKS
1	AT39043	HIGH NOTE HORN	1		
2	14M7303	FLANGE NUT	1		M6
3	H125930	BRACKET	1		
4	PT2314	WASHER	1		
5	R11278	NUT	1	-11NO96	22.225 MM (7/8")
	14M7303	FLANGE NUT	1	11NO96-	M6
6	AH89557	CLIP	8		
7	H118426	CONNECTOR	1		24 HOLES, FEMALE
	AE44930	CONNECTOR	1		
	R77465	SOCKET CONTACT	AR		
8	24M7139	WASHER	1		6.400 X 18 X 1.600 MM STEERING
9	AE44931	CONNECTOR	1		
	AH135787	ELECTRICAL PLUG	1		
	H140664	CONNECTOR	1		16 PIN CONNECTOR (MALE) TO R-H MAIN
10	R77463	SOCKET CONTACT	AR		TO CAB MAIN
	R77465	SOCKET CONTACT	AR		TO CAB MAIN
11	R77457	ELECTRICAL PLUG	1		37 HOLES, (FEMALE) TO ARMREST
	AE44930	CONNECTOR	1		
	R77463	SOCKET CONTACT	AR		
12	AE44930	CONNECTOR	1		16 HOLE CONNECTOR (FEMALE) TO CAB MAIN.
	R77465	SOCKET CONTACT	AR		
	AH135787	ELECTRICAL PLUG	1		
	H141325	CONNECTOR	1		
13	H131574	RETAINER	1		
14	AH125010	GROUND CABLE	1		
15	19M7865	SCREW	2		M8 X 16, TRANSMISSION SPEED
16	AH134296	WIRING HARNESS	1		STEERING COLUMN HARNESS
	AH134234	WIRING HARNESS	1		(EXPORT - ITALY)
17	AH145023	WIRING HARNESS	1	-29SEP7	(SUB FOR AH134280 OR AH143901) W/O GREENSTAR
	AH151771	WIRING HARNESS	1	29SEP7-	L.H. MAIN W/ GREENSTAR
18	AH96317	CLIP	2		
19	H132800	HOSE	1		SLEEVE FOR PROTECTION
20	03M7221	BOLT	1		M6 X 16
	14M7303	FLANGE NUT	1		M6
21	AH135787	ELECTRICAL PLUG	1		16 PIN CONNECTOR
	H141325	CONNECTOR	1		CONNECTOR RING
22	H130510	ELECTRICAL PLUG	1		TO AIR CONDITIONING HARNESS
23	03M7183	BOLT	1		M8 X 16
	14M7298	FLANGE NUT	1		M8
24	H134417	BRACKET	1		
25	H146306	PLUG	1		

# 2C21

ELECTRICAL

L.H. MAIN WIRING HARNESS, FRONT  
HP5843 -UN-15OCT94



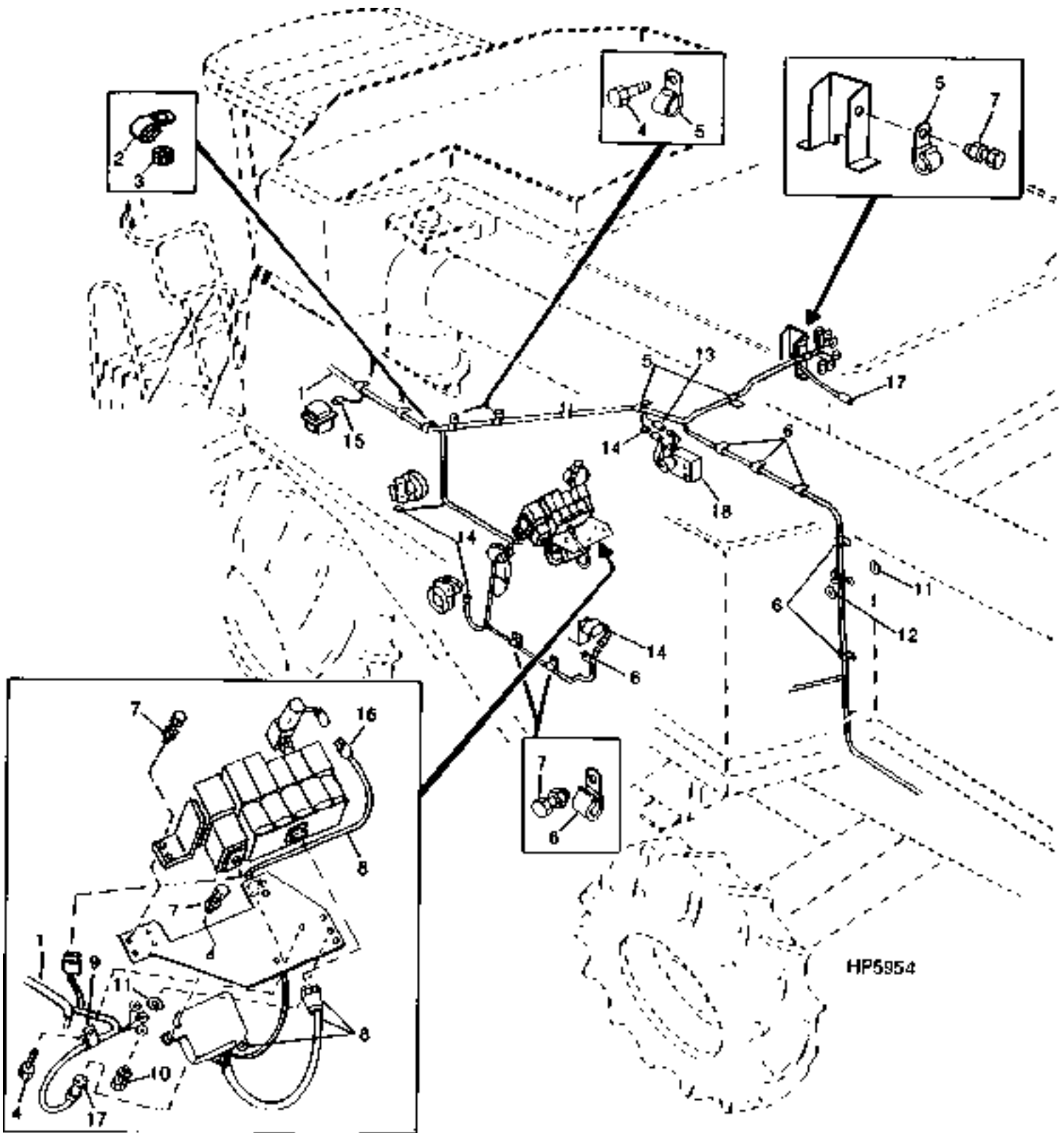
L.H. MAIN WIRING HARNESS, L.H. FRONT - CONTINUED

KEY	PART NO.	PART NAME	QTY	SERIAL NO.	REMARKS
1	H132513	CONNECTOR	2		22 HOLES, FEMALE - FOR CEM
	H141127	BOOT	2		FOR CEM
	M86436	TIE BAND	2		FOR CEM, (SUB FOR (2) H141406)
	.....	SOCKET CONTACT	AR		FOR CEM - SIZE 12 - 8 USED
	R78065	SOCKET CONTACT	AR		FOR CEM - SIZE 16 - 12 USED
	.....	SOCKET CONTACT	AR		FOR CEM - SIZE 4 - 1 USED
	AH136356	SCREW AND WASHER KIT	1		REPAIRS TWO CONNECTORS (BOTH HALVES)
2	H141127	BOOT	3		FOR CEM
	M86436	TIE BAND	3		FOR CEM, (SUB FOR (3) H141406)
	R77463	SOCKET CONTACT	3		FOR CEM
	R77465	SOCKET CONTACT	AR		FOR CEM
3	H118427	CONNECTOR	1		22 HOLES, MIXED
	R77463	SOCKET CONTACT	AR		
	R77465	SOCKET CONTACT	AR		
4	AH145023	WIRING HARNESS	1	-29SEP7	(SUB FOR AH134280 OR AH143901) W/O GREENSTAR
	AH151771	WIRING HARNESS	1	29SEP7-	L.H. MAIN W/ GREENSTAR
5	AH117301	CLAMP	8		
6	19M7865	SCREW	2		M8 X 16
	14M7298	FLANGE NUT	2		M8
7	37M7083	SCREW	1		M8 X 12
	24M7055	WASHER	1		8.400 X 16 X 1.600 MM
8	12M7032	LOCK WASHER	2		8.400 MM
9	37M7083	SCREW	3		M8 X 12
10	M43835	FLAT CONNECTOR	1		
	U46662	TERMINAL	AR		
11	RE12363	CONNECTOR	1		PKG OF 3
	R78048	TERMINAL NIPPLE	1		PKG OF 40
	R78060	SOCKET CONTACT	1		PKG OF 40
12	AH89557	CLIP	5		
13	37M7059	SCREW	1		M5 X 12
	24M7055	WASHER	1		8.400 X 16 X 1.600 MM
	14M7298	FLANGE NUT	1		M8
14	AH140605	SWITCH	1		
15	H104418	NUT	1		
16	AH116104	SENSOR	1		TRANSMISSION SPEED
17	R78053	PIN CONTACT CONNECTOR BODY	1		
	R78063	TERMINAL NIPPLE	1		
18	AH96317	CLIP	3		(SUB FOR AH89486)
19	12M7032	LOCK WASHER	3	660401-	8.400 MM (0.331")

# 2C23

ELECTRICAL

L.H. MAIN WIRING HARNESS, L.H. CENTER  
HP5954 -UN-27APR95



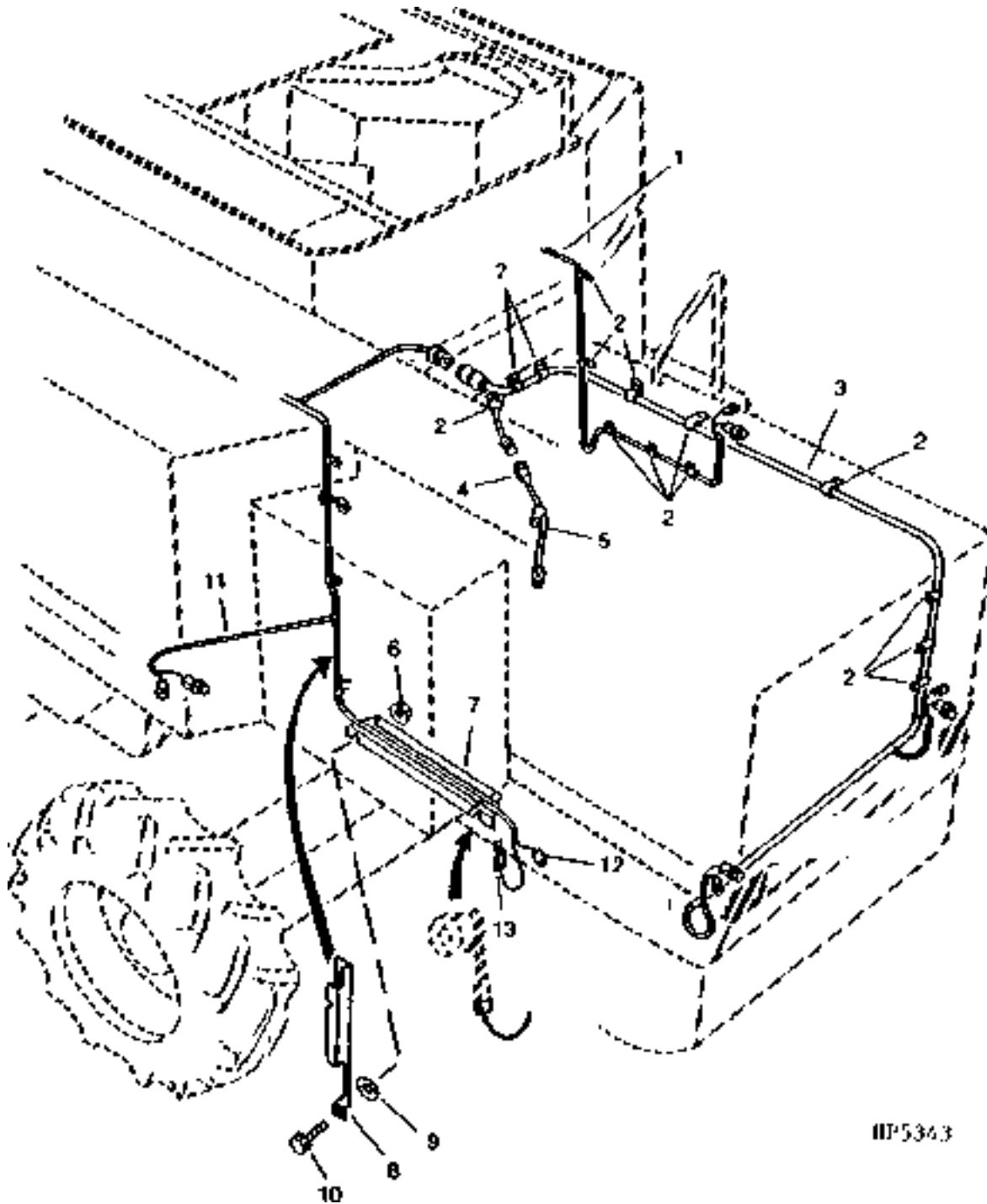
## L.H. MAIN WIRING HARNESS, L.H. CENTER - CONTINUED

KEY	PART NO.	PART NAME	QTY	SERIAL NO.	REMARKS
1	AH145023	WIRING HARNESS	1	-29SEP7	(SUB FOR AH134280 OR AH143901) W/O GREENSTAR
	AH151771	WIRING HARNESS	1	29SEP7-	L.H. MAIN W/ GREENSTAR
2	AH130222	CLAMP	3		
	AH130223	CLAMP	10	655542-	
3	14M7299	FLANGE NUT	3		M12
4	37M7083	SCREW	3		M8 X 12
5	AH90990	CLIP	5		
6	AH89557	CLIP	9		
7	19M7865	SCREW	5		M8 X 16
	14M7298	FLANGE NUT	5		M8
8	AH129045	MODULE	1		(LOGIC) INCLUDES CONNECTOR AND RETAINER
	H118426	CONNECTOR	1		29 PIN
	R77458	CONNECTOR	1		
	H129212	CIRCUIT BOX	1		
9	AH96317	CLIP	1		(SUB FOR AH89486)
10	37M7083	SCREW	1		M8 X 12
	24M7055	WASHER	1		8.400 X 16 X 1.600 MM
11	12M7032	LOCK WASHER	2		8.400 MM
12	24M7055	WASHER	1		8.400 X 16 X 1.600 MM
13	R78053	PIN CONTACT CONNECTOR BODY	1		MALE, (PKG OF 3)
	R78063	TERMINAL NIPPLE	1		(PKG OF 40)
14	RE12363	CONNECTOR	1		(PKG OF 3) - TO FAN SPEED CONTROL MOTOR
	R78048	TERMINAL NIPPLE	1		(PKG OF 5)
15	AE44392	CONNECTOR	1		4 HOLES, FEMALE - TO REEL SPEED CONTROL MOTOR
	R77465	SOCKET CONTACT	1		
16	RE12363	CONNECTOR	1		(PKG OF 3)
	R78048	TERMINAL NIPPLE	1		(PKG OF 5)
	R78060	SOCKET CONTACT	1		(PKG OF 40)
17	AH135787	ELECTRICAL PLUG	1		
	H141325	CONNECTOR	1		
18	AH128929	SWITCH	1		PRESSURE

# 2D1

ELECTRICAL

REAR HOOD AND MODULE WIRING HARNESSES  
HP5343 -UN-01JAN94



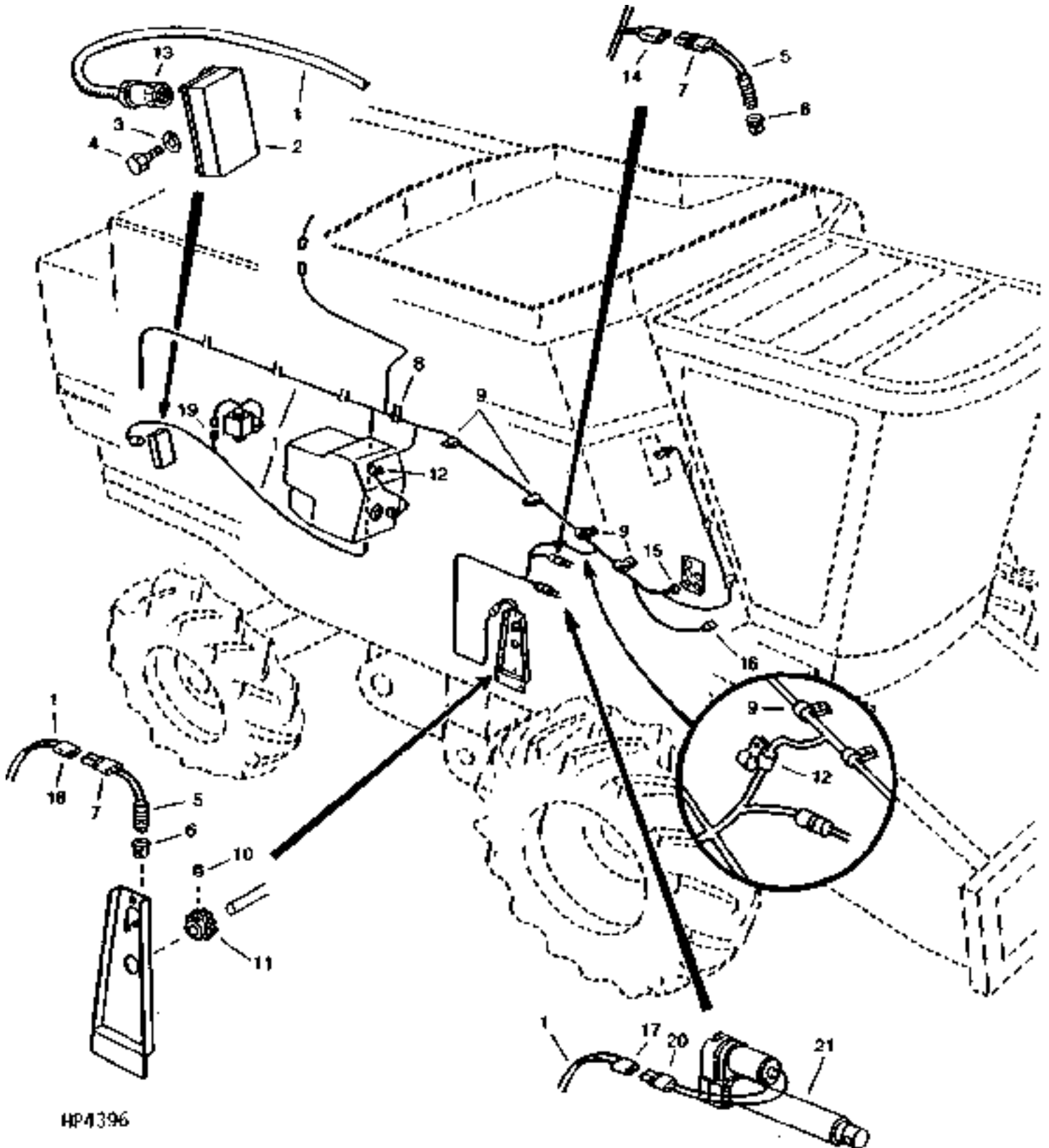
## REAR HOOD AND MODULE WIRING HARNESSSES - CONTINUED

KEY	PART NO.	PART NAME	QTY	SERIAL NO.	REMARKS
1	AH134231	WIRING HARNESS	1	-29SEP7	R.H. MAIN W/O GREENSTAR
	AH151772	WIRING HARNESS	1	29SEP7-	R.H. MAIN W/GREENSTAR
2	AH89557	CLIP	16		
3	AH134238	WIRING HARNESS	1		REAR HOOD
4	RE12363	CONNECTOR	1		
5	AH134292	WIRING HARNESS	1		MODULE - LOW SHAFT SPEED MONITOR (LSSM)
6	14M7298	FLANGE NUT	2		M8
7	H139557	SHIELD	1		
8	H139558	SHIELD	1		
9	24H1909	WASHER	1		13/32" X 1-3/8" X 1/4"
10	19M8291	SCREW	2		M8 X 35
11	AH134229	WIRING HARNESS	1		L.H. MAIN
	AH145024	WIRING HARNESS	1	660401-	(SUB FOR AH143239 OR AH143928) L.H. MAIN
	AH148912	WIRING HARNESS	1	29SEP7-	L.H. MAIN
12	R78053	PIN CONTACT CONNECTOR BODY	1		(PKG OF 3)
	R78063	TERMINAL NIPPLE	1		(PKG OF 40)
13	RE12363	CONNECTOR	1		(PKG OF 3)
	R78048	TERMINAL NIPPLE	1		(PKG OF 5)
..	AH140120	KIT	1		SOCKET KIT (INCLUDES ONE LARGE REAR SOCKET AND ONE SMALL SIDE SOCKET)

# 2D3

ELECTRICAL

R.H. MAIN WIRING HARNESS  
HP4396 -UN-01JAN94



HP4396

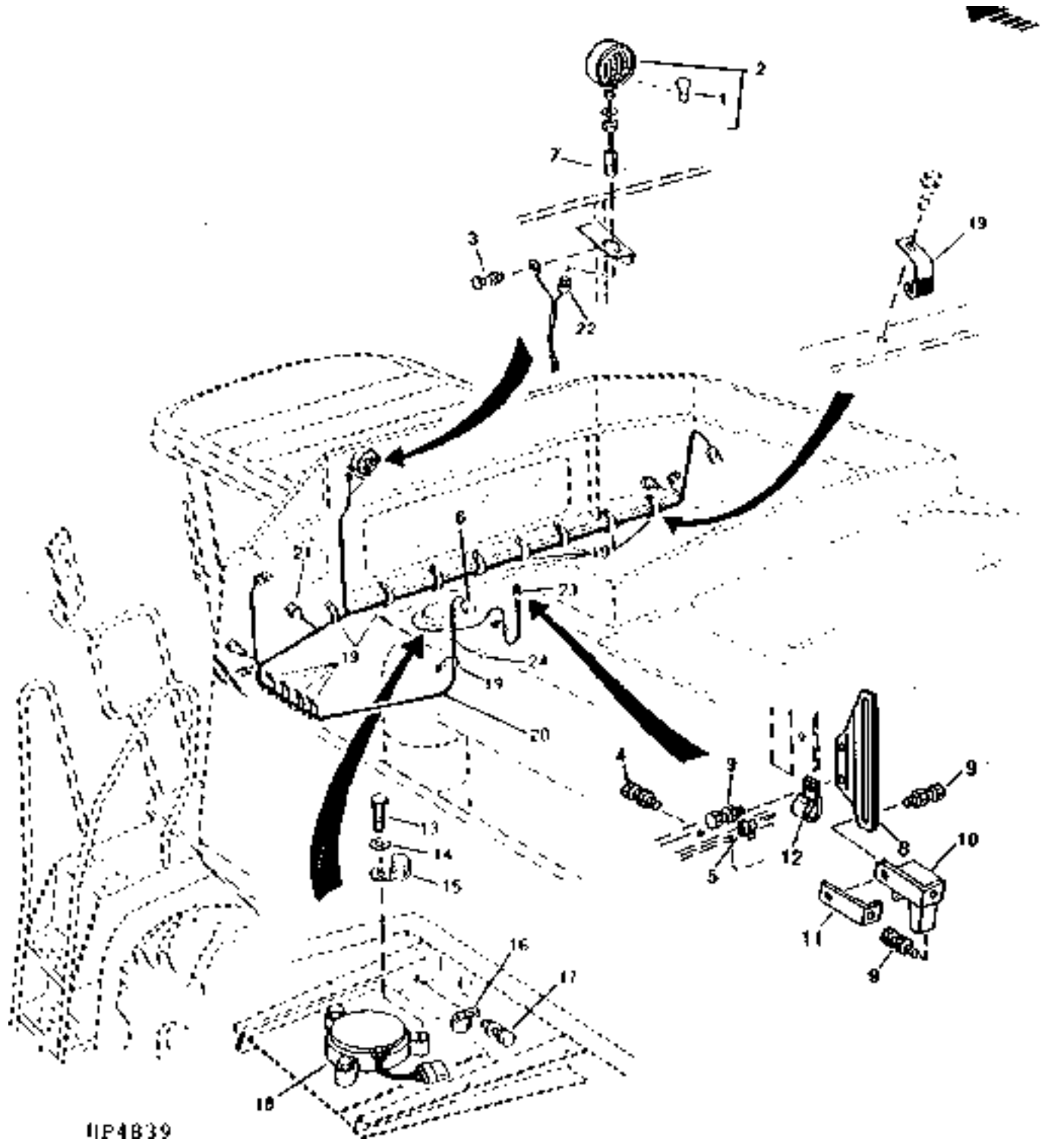


## R.H. MAIN WIRING HARNESS - CONTINUED

KEY	PART NO.	PART NAME	QTY	SERIAL NO.	REMARKS
1	AH134231	WIRING HARNESS	1	29SEP7-	(INCLUDES H141411) W/O GREENSTAR
	AH134249	WIRING HARNESS	1		ITALIAN
	AH151772	WIRING HARNESS	1	29SEP7-	W/ GREENSTAR
2	AH125744	RELAY MODULE	1		HARVESTRAK
3	12H310	LOCK WASHER	1		3/8"
4	37M7058	SCREW	1		M8 X 20
5	AH116104	SENSOR	2		LOW SHAFT SPEED ( CYLINDER ON TOP OF ART- FAN ON BOTTOM OF ART ) (SUB FOR H121110)
6	H160880	CLIP	2		
7	RE12363	CONNECTOR	1		(PKG OF 3)
	R78048	TERMINAL NIPPLE	1		(PKG OF 5)
	R78060	SOCKET CONTACT	2		(PKG OF 40)
8	AH90990	CLIP	1		
9	H117952	CLAMP	6		
10	22M7027	SET SCREW	1		M6 X 16
11	H122372	WHEEL	1		TONE WHEEL ON LOW SHAFT SPEED MONITOR
12	AH89557	CLIP	2		
13	AE44392	CONNECTOR	1		4 HOLES, FEMALE (INTO PRE-AMP MODULE)
	R77463	SOCKET CONTACT	AR		
14	R78053	PIN CONTACT CONNECTOR BODY	1		(PKG OF 3)
	R78063	TERMINAL NIPPLE	2		(PKG OF 40)
	R78058	PIN CONTACT	2		(PKG OF 40)
	R78059	ELECTRICAL PLUG	1		(PKG OF 40)
15	R77457	ELECTRICAL PLUG	1		37 HOLES, FEMALE (TO CAB MAIN)
16	R77465	SOCKET CONTACT	AR		FOR 16 HOLE CONNECTOR (TO L-H MAIN)
17	R78053	PIN CONTACT CONNECTOR BODY	1		(PKG OF 3) (TO CONCAVE ACTUATOR)
	R78063	TERMINAL NIPPLE	2		(PKG OF 40)
	R78061	PIN CONTACT	2		(PKG OF 40)
18	R78053	PIN CONTACT CONNECTOR BODY	1		(PKG OF 3)
	R78063	TERMINAL NIPPLE	1		(PKG OF 40)
	R78058	PIN CONTACT	2		(PKG OF 40)
	R78059	ELECTRICAL PLUG	2		(PKG OF 40)
19	T28583	RECEPTACLE CONNECTOR BODY	1		INTO FUEL PUMP
	U46662	TERMINAL	1		
20	RE12363	CONNECTOR	1		(PKG OF 3)
	R78048	TERMINAL NIPPLE	2		(PKG OF 5)
	R78060	SOCKET CONTACT	2		(PKG OF 40)
21	AH134728	ACTUATOR	1		

## GRAIN TANK WIRING HARNESS, LIGHT, LIMIT SWITCH AND LEVEL MONITOR

HP4839 -UN-01JAN94



HP4839

# 2D6

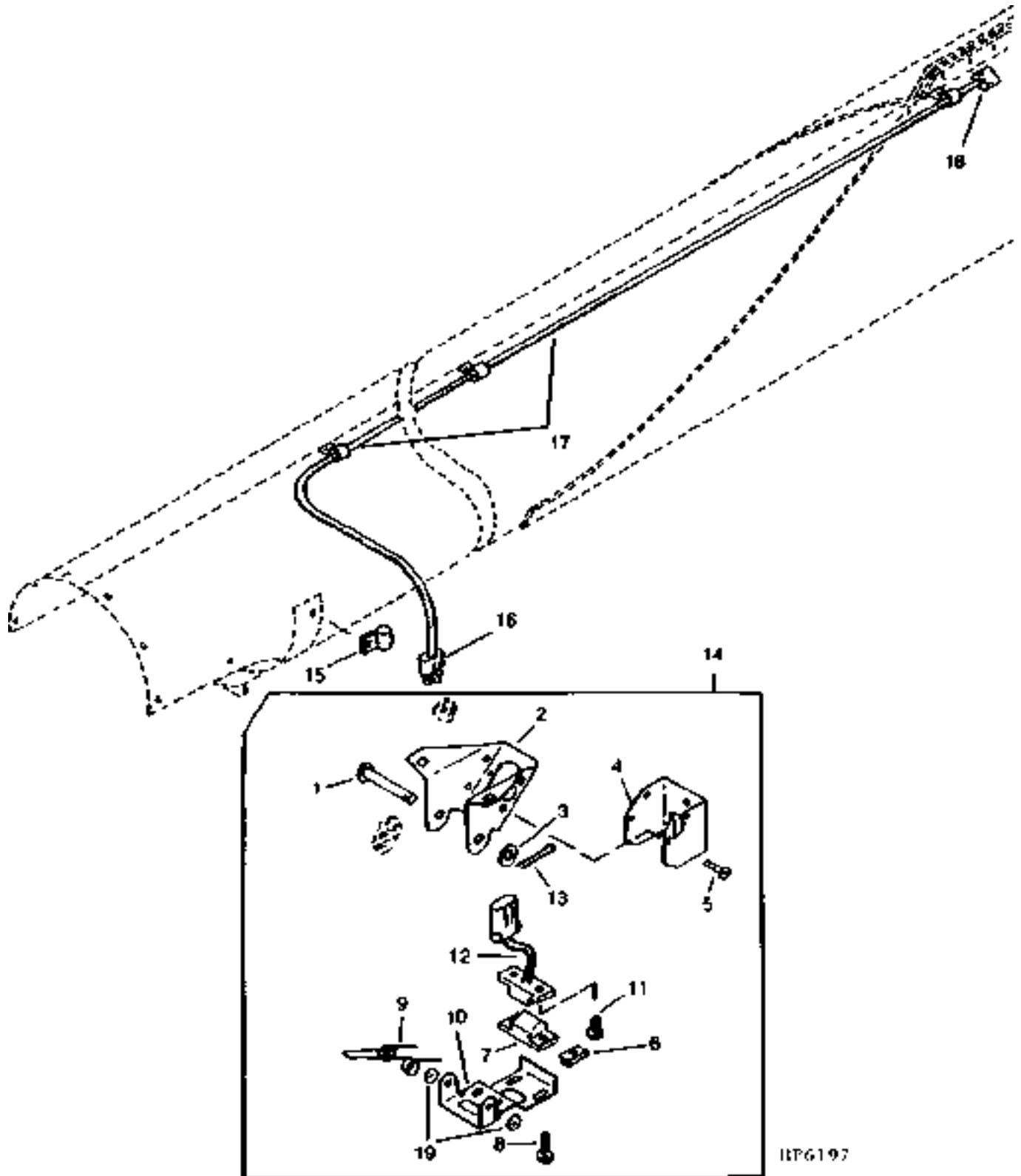
ELECTRICAL

## GRAIN TANK WIRING HARNESS, LIGHT, LIMIT SWITCH AND LEVEL MONITOR - CONTINUED

KEY	PART NO.	PART NAME	QTY	SERIAL NO.	REMARKS
1	AD2062R	BULB	1		
2	AH152451	LAMP	1		(SUB AH164499) (SUB FOR AH133109)
	AH164499	LAMP	1		
3	19M7865	SCREW	1		M8 X 16, (FOR WIRING HARNESS GROUND WIRE)
	14M7298	FLANGE NUT	1		M8
4	19M7866	SCREW	2		M8 X 20
	14M7298	FLANGE NUT	2		M8
5	H76064	CLIP	1		
6	RE12366	CONNECTOR	1		(PKG OF 2)
	R78051	SEAL	1		(PKG OF 5)
	R78060	SOCKET CONTACT	1		(PKG OF 40)
7	R78052	PIN CONTACT CONNECTOR BODY	1		(PKG OF 3)
	R78061	PIN CONTACT	1		(PKG OF 40)
8	H164536	BRACKET	1		(SUB FOR H135072)
9	19M7775	SCREW	4		M6 X 16
	14M7303	FLANGE NUT	4		M6
10	AH121475	SENSOR	1		
11	H133645	REINFORCEMENT	1		
12	T32231	CLAMP	1		
13	19M6755	CAP SCREW	1		M6 X 35
	19M7865	SCREW	2	29SEP7-	
14	24M7054	WASHER	3	-29SEP7	6.400 X 12 X 1.600 MM
	24M7139	WASHER	3	29SEP7-	
15	AH89557	CLIP	1		
16	AH96317	CLIP	1	-655451	(SUB FOR AH89486)
	AH77724	CLIP	3	655452-	
17	19M7865	SCREW	1		M8 X 16
	14M7298	FLANGE NUT	1		M8
18	AH142999	SWITCH	1		(SUB FOR AH140989)
	AH155480	MODULE	1		
	AH163979	KIT	1		(INCLUDES AH155480)
19	H130637	CLAMP	9		
	AH117301	CLAMP	4		(SUB FOR AH139300)
20	AH143923	WIRING HARNESS	1		(SUB FOR AH134236) ITALIAN
	AH151775	WIRING HARNESS	1		(SUB FOR AH134240 OR AH143922) W/ GREENSTAR
21	H118425	CONNECTOR	1		(22 HOLES, MIXED)
	AE44930	CONNECTOR	1		
	R78057	SOCKET CONTACT	1		(PKG OF 40)
	R78060	SOCKET CONTACT	1		(PKG OF 40)
22	RE12362	CONNECTOR	1		(PKG OF 3)
	R78047	SEAL	1		(PKG OF 5)
23	RE12363	CONNECTOR	1		(PKG OF 3)
	R78048	TERMINAL NIPPLE	1		(PKG OF 5)
	R78057	SOCKET CONTACT	1		(PKG OF 40)
24	R78053	PIN CONTACT CONNECTOR BODY	1		(PKG OF 3)
	R78063	TERMINAL NIPPLE	1		(PKG OF 40)
	R78060	SOCKET CONTACT	1		(PKG OF 40)
	R78061	PIN CONTACT	1		(PKG OF 40)

## UNLOADING AUGER SENSOR AND WIRING HARNESS

(660401- )  
HP6197 -UN-05OCT95



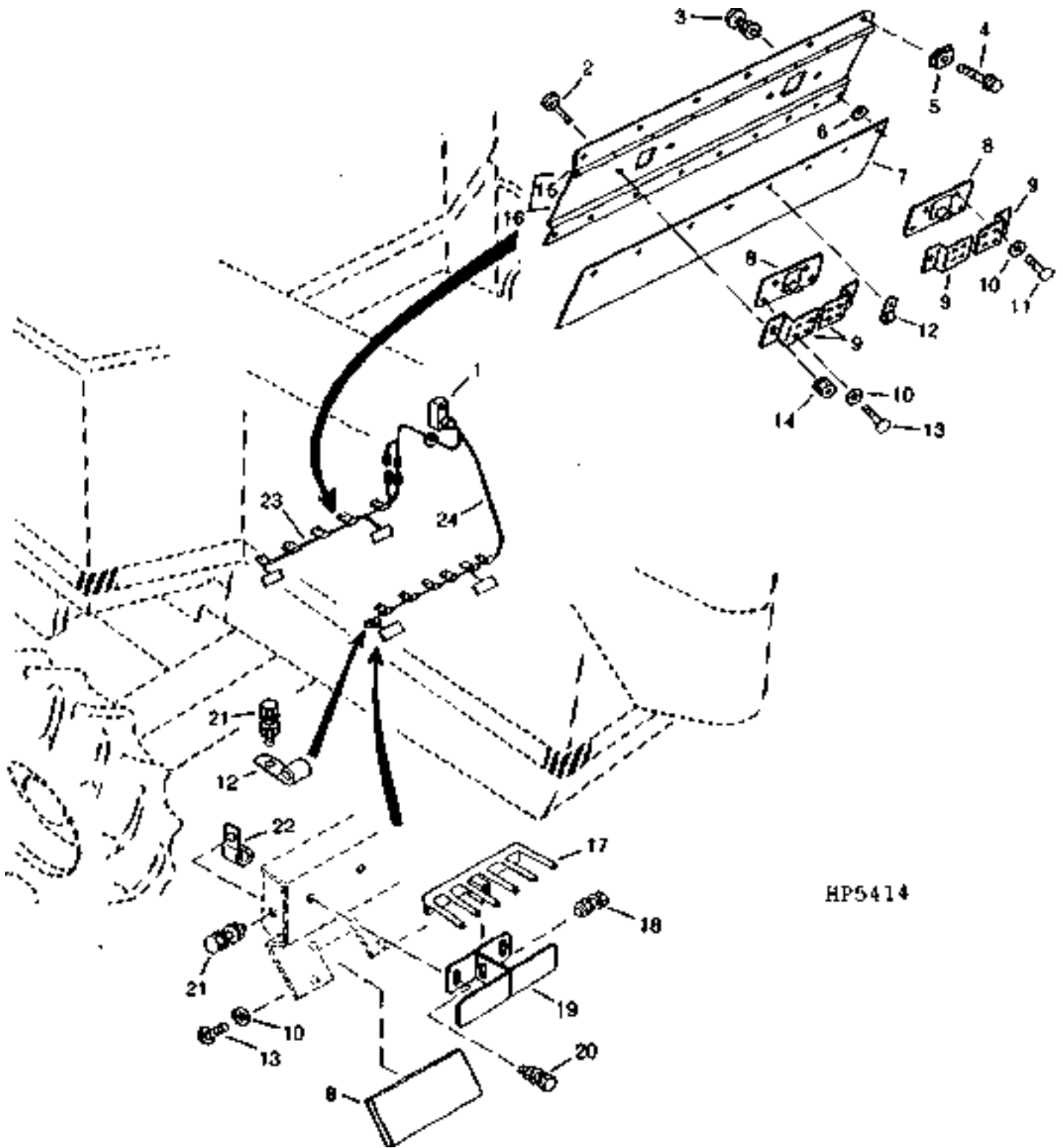
**UNLOADING AUGER SENSOR AND WIRING HARNESS - CONTINUED**  
 (660201- )

KEY	PART NO.	PART NAME	QTY	SERIAL NO.	REMARKS
1	W38051	PIN	1		
2	.....	BRACKET	1		(SUB AH145769) SENSOR
3	24M7028	WASHER	1		10.500 X 20 X 2 MM (0.413" X 0.787" X 0.079")
4	.....	COVER	1		(SUB AH145769) SENSOR BRACKET
5	37M7079	SCREW	4		M6 X 12, SELF-TAPPING
6	H140628	NUT	2		SPEED
7	AH150473	ACTUATOR	1		(SUB FOR AH130603) MAGNET
8	37M7071	SCREW	2		SELF-TAPPING
9	H149788	TORSION SPRING	1		
10	.....	BRACKET	1		(SUB AH145769)
11	37M7215	SCREW	2		
12	AH130602	REED SWITCH	1		
13	11M7012	COTTER PIN	1		3.200 X 16 MM (0.126" X 0.630")
14	AH145769	SENSOR	1		UNLOADING AUGER
15	AH89557	CLIP	3		ONE USED WITH SOLID AUGER HOUSING, 3 USED WITH PERFORATED AUGER HOUSING.
16	RE12363	CONNECTOR	1		(PKG. OF 3)
	R78048	TERMINAL NIPPLE	1		
	R78059	ELECTRICAL PLUG	2		(PKG. OF 40)
17	AH143761	WIRING HARNESS	1		
18	R78053	PIN CONTACT CONNECTOR BODY	1		(PKG OF 3)
	R78058	PIN CONTACT	2		(PKG OF 40)
	R78059	ELECTRICAL PLUG	2		(PKG. OF 40)
19	24M7028	WASHER	3		10.500 X 20 X 2 MM (0.413" X 0.787" X 0.079")

# 2D9

ELECTRICAL

HARVESTRAK MONITOR SYSTEM AND WIRING HARNESS  
HP5414 -UN-01JAN94



HP5414

# 2D10

ELECTRICAL

## HARVESTRAK MONITOR SYSTEM AND WIRING HARNESS - CONTINUED

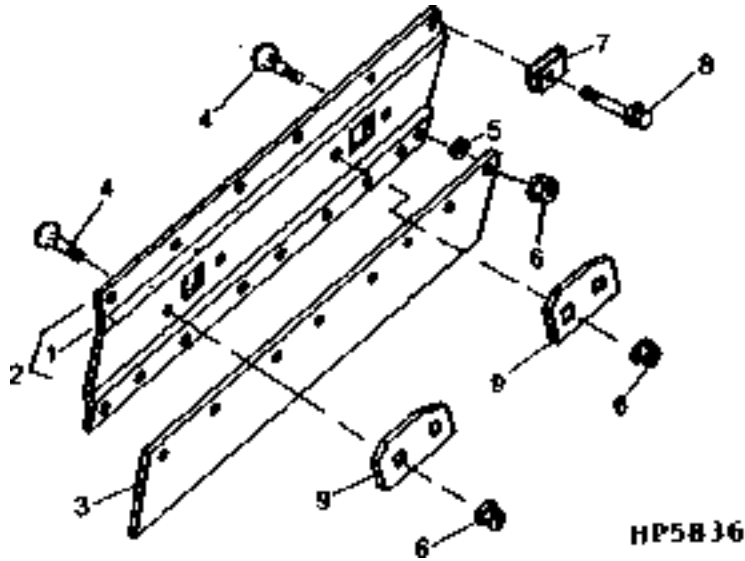
KEY	PART NO.	PART NAME	QTY	SERIAL NO.	REMARKS
1	AH125744	RELAY MODULE	1		PRE-AMP
2	03M7184	BOLT	8		M8 X 20
3	03M7185	BOLT	8		
	14M7298	FLANGE NUT	8		M8
4	19M7785	SCREW	6		
5	H146457	NUT	6		10 MM
6	24H1296	WASHER	6		11/32" X 1-3/8" X 0.134"
7	H155750	SEAL	1		(SUB FOR H146055)
8	AH126272	SENSOR	4		
9	H146056	PLATE	4		
10	12H295	LOCK WASHER	16		0.190", (INTERNAL TOOTH)
11	24M7027	WASHER	1		ON UPPER R.H. SENSOR MOUNTING SCREW, R.H. SENSORS ONLY
12	AH89557	CLIP	12		
13	21H1427	SCREW	16		0.190" X 1/2"
14	14M7298	FLANGE NUT	4		M8
15	H146045	HINGE	1		
16	AH139990	DEFLECTOR	1		
	H143679	PIN	1		
17	H114411	FINGER	2		
18	19M7863	SCREW	2		M6 X 25
	14M7303	FLANGE NUT	2		M6
19	AH125672	DEFLECTOR	2		
20	19M7162	CAP SCREW	4		M8 X 16
	14M7298	FLANGE NUT	4		M8
21	19M7865	SCREW	8		M8 X 16
	14M7298	FLANGE NUT	8		M8
22	T74410	CLAMP	2		
23	AH139904	WIRING HARNESS	1		MAIN
24	AH139903	WIRING HARNESS	1		MODULE (ALSO INCLUDES (1) H94433 GROMMET
	H94433	GROMMET	1		
..	AH143762	KIT	1	650492-650570	(SUB (8) 57M7298, (4) 57M7306, (4) 57M7309 AND (8) R78063)
..	57M7298	TERMINAL	8		
..	57M7306	CONNECTOR	4		
..	57M7309	RECEPTACLE CONNECTOR BODY	4		
..	R78063	TERMINAL NIPPLE	8		
..	<b>BH80118</b>	<b>COMPLETE GOODS/SHIP. BUNDLE</b>	<b>1</b>		<b>HARVESTRAK</b>

# 2D11

ELECTRICAL

## DEFLECTOR LESS HARVESTRAK

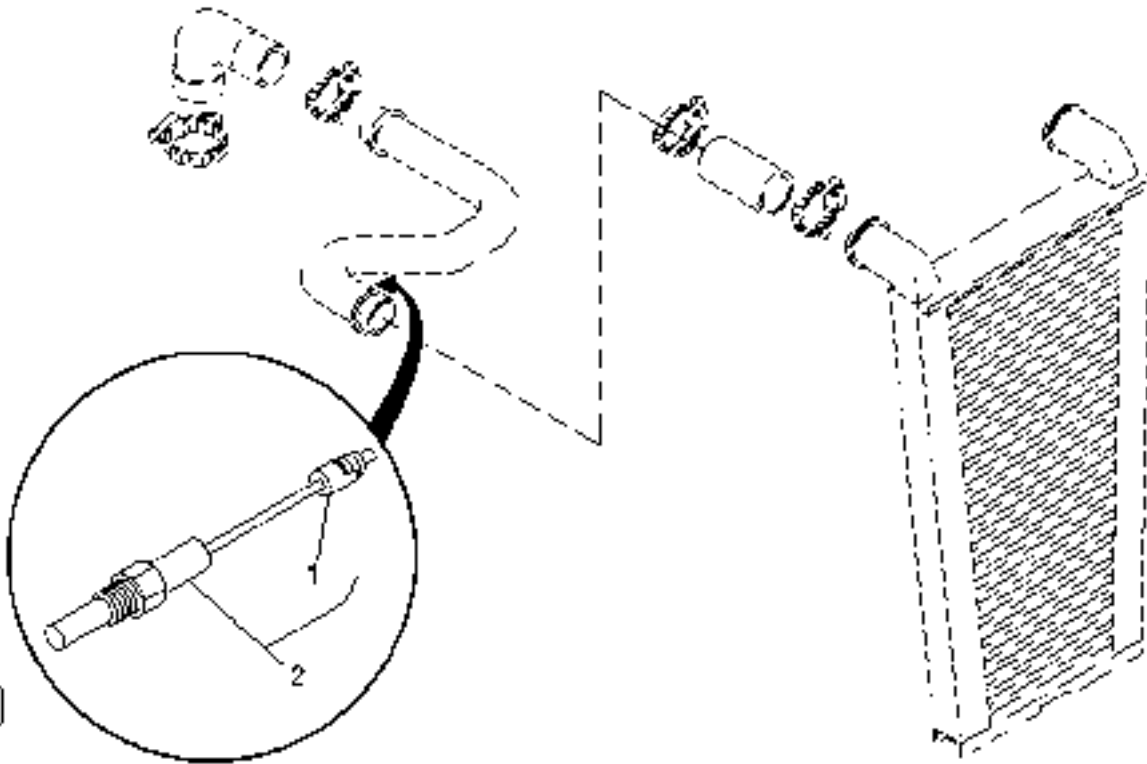
(655542- )  
 HP5836 -UN-01JAN94



KEY	PART NO.	PART NAME	QTY	SERIAL NO.	REMARKS
1	H146045	HINGE	1		
2	AH139990	DEFLECTOR	1		
3	H146055	SEAL	1		
4	03M7185	BOLT	5	M8 X 25	
5	24H1296	WASHER	1	8.738 X 34.925 X 3.404 MM (11/32" X 1-3/8" X 0.134")	
6	14M7298	FLANGE NUT	5	M8	
7	H146457	NUT	6	10 MM (0.394")	
8	19M7785	SCREW	6	M10 X 25	
9	H144532	PLATE	2		



**INLET AIR TEMPERATURE SWITCH**  
 HP9339 -UN-22NOV99

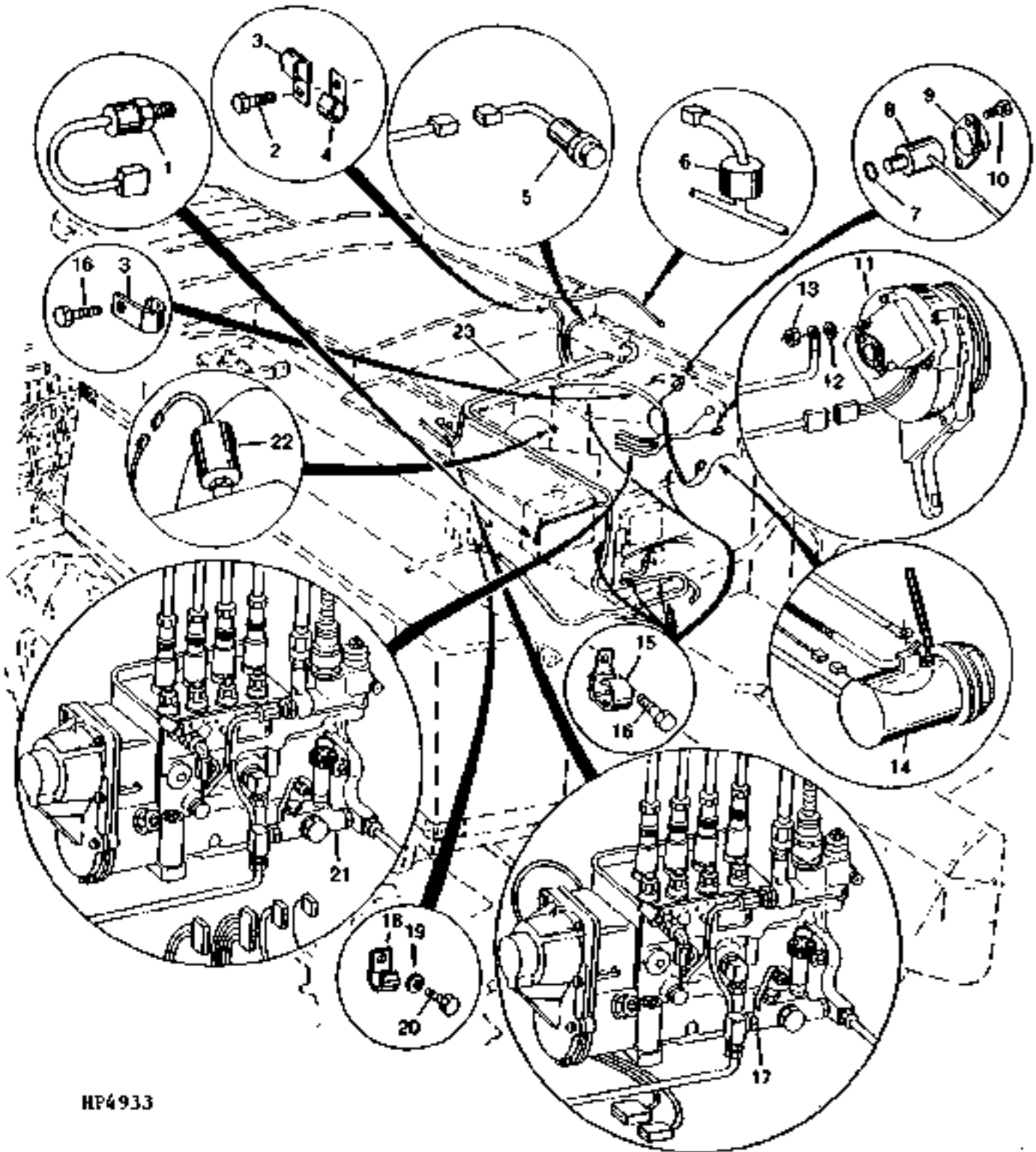


KEY	PART NO.	PART NAME	QTY	SERIAL NO.	REMARKS
1	RE12363	CONNECTOR	1		(PKG OF 3)
	R78060	SOCKET CONTACT	1		(PKG OF 40)
	R78063	TERMINAL NIPPLE	1		(PKG OF 40)
2	AH138802	SWITCH	1	-665400	
	AH148258	SWITCH	1		

# 2D13

ELECTRICAL

HARNESS FOR 6076 ENGINE  
(UPPER PARTS)  
HP4933 -UN-01JAN94



HP4933

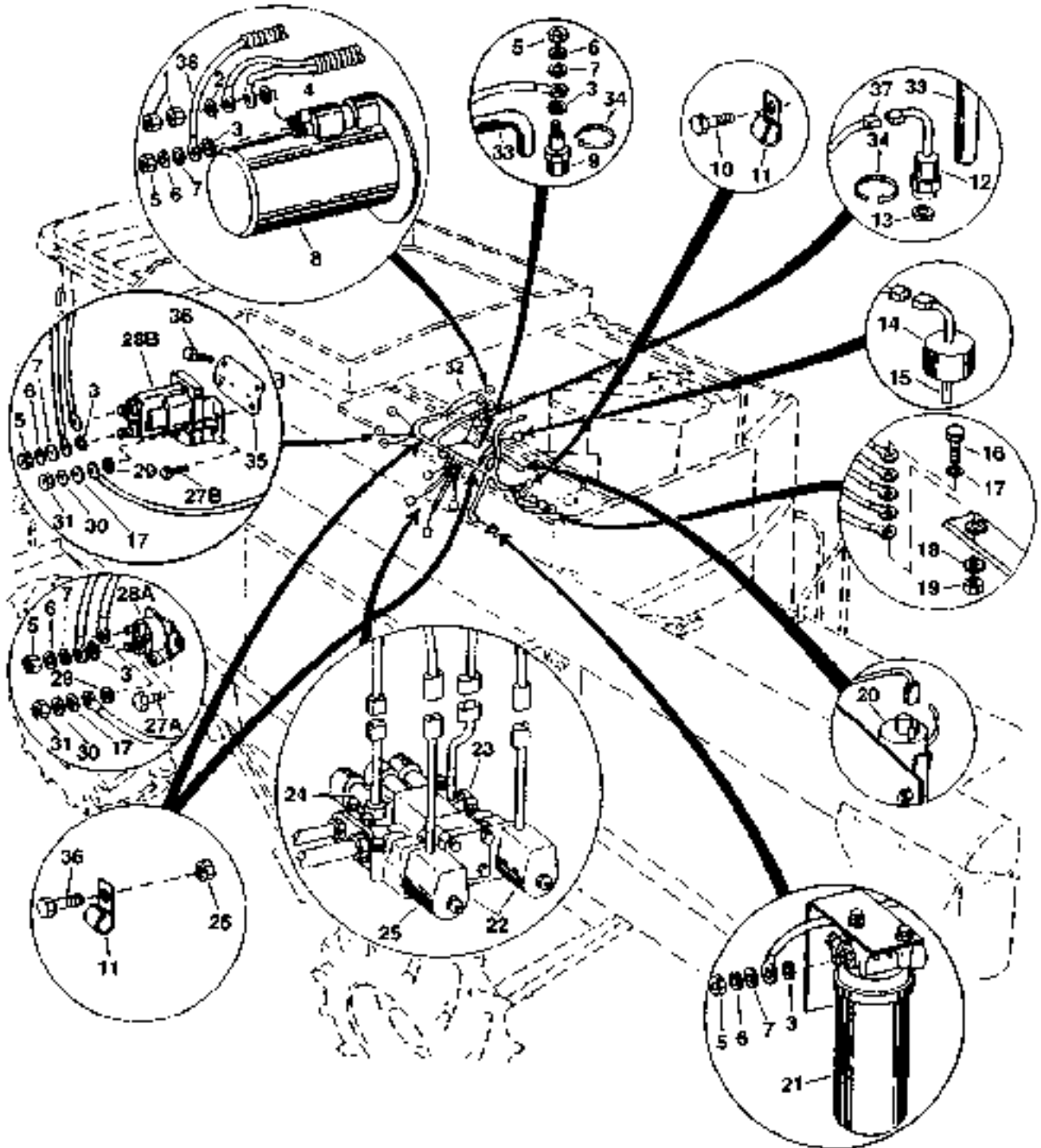
**HARNESS FOR 6076 ENGINE - CONTINUED  
(UPPER PARTS)**

KEY	PART NO.	PART NAME	QTY	SERIAL NO.	REMARKS
1	AH116105	SWITCH	1		FOR HYD. OIL TEMP.
2	19M7865	SCREW	1		M8 X 16
3	AH96317	CLIP	1		(SUB FOR AH89486)
4	AH89557	CLIP	1		
5	AH138802	SWITCH	1	-665400	
	AH148258	SWITCH	1		
6	RE24307	HIGH PRESSURE SWITCH	1		FOR A/C HIGH PRESSURE
7	R79915	O-RING	1		
8	RE12180	SENSOR	1		FOR ENGINE TACH
9	R67230	COVER	1		
10	19H1948	CAP SCREW	2		1/4" X 3/4"
	12H302	LOCK WASHER	2		1/4"
	24H1287	WASHER	2		9/32" X 5/8" X 0.065"
11	.....	ALTERNATOR	1		(SUB FOR TY6653) (SEE ELECTRICAL SECTION)
12	12H297	LOCK WASHER	1		1/4"
13	14H786	NUT	1		1/4"
14	.....	COMPRESSOR	1		(SEE OPERATOR'S STATION STATION)
15	AH89557	CLIP	3		
	AH96317	CLIP	AR		(SUB FOR AH89486)
16	19M7774	SCREW	1		M6 X 12
17	.....	FUEL INJECTION PUMP	1		(SEE ENGINE SECTION)
18	AH90990	CLIP	1		
19	14M7298	FLANGE NUT	1		
20	19M7865	SCREW	1		M8 X 16
21	.....	FUEL INJECTION PUMP	1		(SEE ENGINE SECTION)
22	AH148259	SWITCH	1		(SUB FOR AH113292) FOR AIR CLEANER (PLUGGED)
23	AH142595	WIRING HARNESS	1	-660400	(SUB FOR AH134291 OR AH142596)
	AH142597	WIRING HARNESS	1	650401-	MUST BE USED WITH HARNESSES (650401- ) WHEN USED ON MACHINES PRIOR ( -650400)
	AH148406	WIRING HARNESS	1	660401-665400	(SUB FOR AH144954)
..	H116160	SEALANT	1		3 OZ. TUBE OF SEALANT

# 2D15

ELECTRICAL

HARNESS FOR 6076 ENGINE  
(LOWER PARTS)  
HP7594 -UN-27JUL98

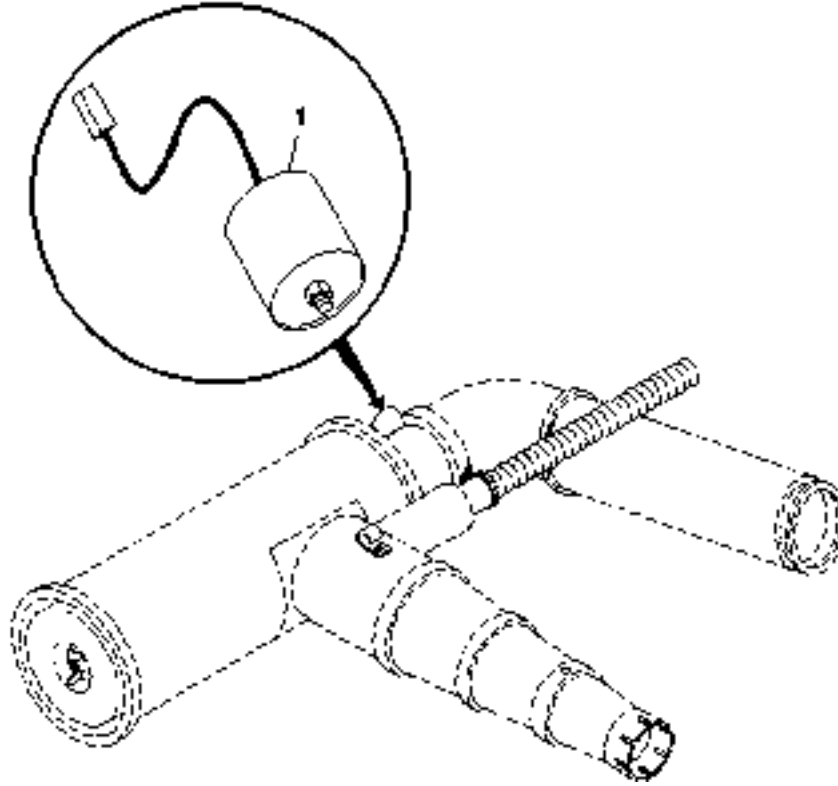


HP7594

**HARNESS FOR 6076 ENGINE - CONTINUED  
(LOWER PARTS)**

KEY	PART NO.	PART NAME	QTY	SERIAL NO.	REMARKS
1	14H826	NUT	2	-670442	1/2"
	14M7415	NUT	2	670443-	M12
2	24M7028	WASHER	1	-670442	10.500 X 20 X 2 MM
	24M7047	WASHER	1	670443-	13 X 24 X 2.500 MM
3	12M7112	LOCK WASHER	4	-660400	5.300 MM
	12M7060	WASHER	4	660401-	5.300 MM
4	12M7034	LOCK WASHER	1		10.500 MM
5	14H631	NUT	4		0.190"
6	12H246	LOCK WASHER	4		0.190"
7	24M7027	WASHER	4		5.300 X 10 X 1 MM
8	.....	STARTER MOTOR	1		(SEE ENGINE SECTION)
9	AT37368	SENDER	1		
10	37M7083	SCREW	3	-660400	M8 X 12
11	AH89486	CLIP	2	-660400	
	R44302	TIE BAND	4	660401-	
	H141406	TIE BAND	1	660401-22APR	
	H77698	TIE BAND	1		
12	AH121234	SWITCH	1	-665400	FOR ENGINE TEMP
	AH148278	SWITCH	1	-670493	
	AH158689	SWITCH	1	670494-	(SUB FOR AH152457 OR AH155523)
13	R76337	WASHER	1		22 X 29.500 X 1.630 MM
14	AH133896	SWITCH	1		FOR ENGINE OIL PRESS
15	R53014	FITTING	1		
16	19M7868	SCREW	1		M8 X 30
17	24M7055	WASHER	2		8.400 X 16 X 1.600 MM
18	12M7032	LOCK WASHER	2		8.400 MM
19	14M7298	FLANGE NUT	1		M8
20	RE48310	STARTING AID SOLENOID	1		(SUB FOR AT39623) ETHER START
21	.....	HYDRAULIC FILTER	1		(SUB FOR AH128448) (SEE HYDRAULIC SECTION)
22	AH128655	SOLENOID VALVE	1		
23	AH135744	SWITCH	1		
	R28782	O-RING	1		
24	AH116105	SWITCH	1		
	R26375	O-RING	1		
25	AH128785	SHUT-OFF VALVE	1		
26	14M7303	FLANGE NUT	1		M6
27A	37M7089	SCREW	2	-660414	M6 X 12
27B	19M7774	SCREW	2	660414-	M6 X 12
28A	AM105171	SOLENOID	1	-660414	USE WITH H144291,(2) 37M7089 AND (2) 14M7303
28B	AM53945	SOLENOID	1	660415-	
29	12M7032	LOCK WASHER	2		8.400 MM (0.331") (SUB FOR 12M7122)
30	12H303	LOCK WASHER	2		5/16"
31	14H785	NUT	2		5/16"
32	AH142595	WIRING HARNESS	1	-660400	(SUB FOR AH134291 OR AH142596)
	AH142597	WIRING HARNESS	1	650401-	MUST BE USED WITH HARNESSES (650401- ) WHEN USED ON MACHINES PRIOR TO ( -650400)
	AH148406	WIRING HARNESS	1	665401-670493	(SUB FOR AH144954)
	AH155522	WIRING HARNESS	1	670493-	(SUB FOR AH153207) USE AH155523
33	H138200	INSULATING SLEEVE	2		HEAT PROTECTION FOR ENGINE TEMP SENDER, SWITCH AND WIRES
34	R44302	TIE BAND	4		
35	H144291	PLATE	1	-660414	
36	19M7774	SCREW	2	-660414	M6 X 12
37	AH155821	WIRING LEAD	1	670473-670600	(SUB FOR AH155820) USED WITH AH155523
38	AH155483	WIRING LEAD	1	5MAY97-	
..	H116160	SEALANT	1		3 OZ. TUBE OF SEALANT
..	<b>BH79118</b>	<b>COMPLETE GOODS/SHIP. BUNDLE</b>	<b>1</b>		<b>TEMPERATURE SENSOR PROTECTION</b>

**ENGINE PLUGGED AIR FILTER WARNING SWITCH**  
HP9338 -UN-19NOV99



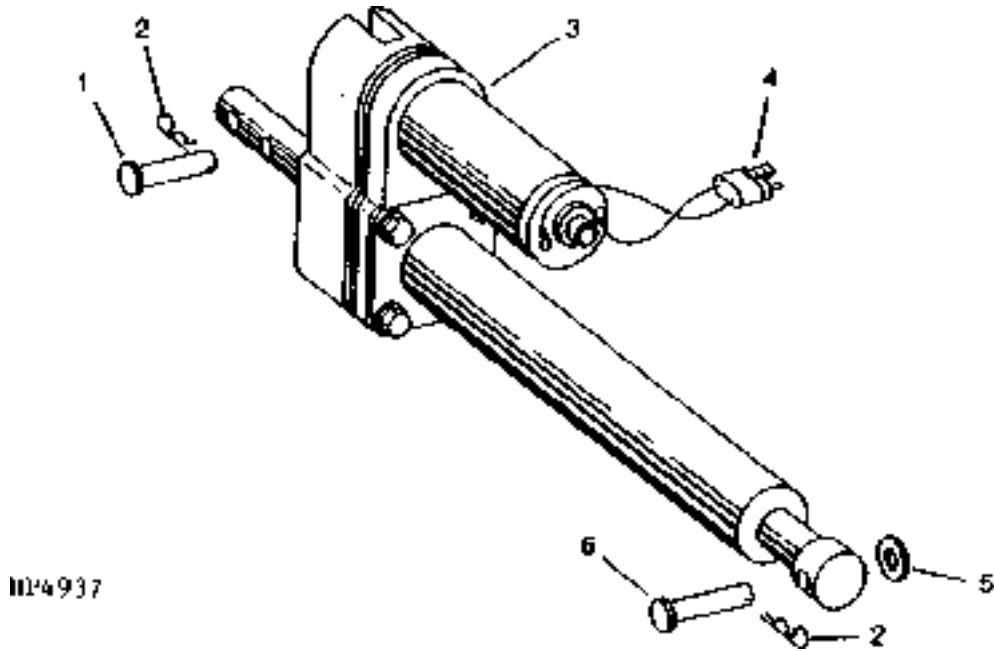
**HP9338**

KEY	PART NO.	PART NAME	QTY	SERIAL NO.	REMARKS
1	AH113292	SWITCH	1		

# 2D18

ELECTRICAL

**CONCAVE ADJUSTING MOTOR**  
HP4937 -UN-01JAN94

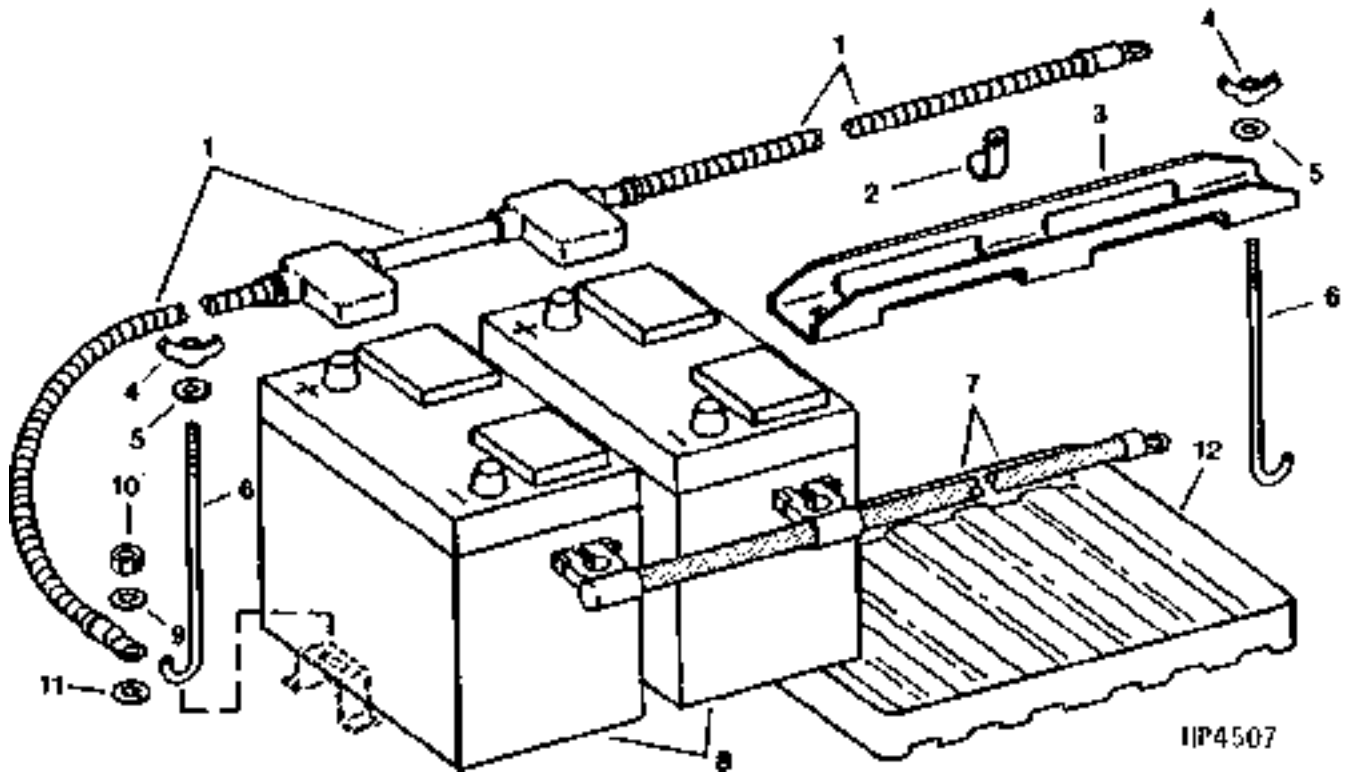


KEY	PART NO.	PART NAME	QTY	SERIAL NO.	REMARKS
1	H98765	PIN	1	-645685	
	H148340	PIN	1	645686-	
2	B32630	SPRING LOCKING PIN	2		
3	AH134728	ACTUATOR	1		
4	RE12363	CONNECTOR	1		(PKG OF 3)
	R78048	TERMINAL NIPPLE	1		(PKG OF 5)
	R78060	SOCKET CONTACT	1		(PKG OF 40)
5	24H1654	WASHER	1		9/16" X 1-15/32" X 0.105", REQUIRED WITH H132821 CAST CAM ONLY
6	H148340	PIN	1		(SUB FOR H109146) FOR SPIKE TOOTH CONCAVE ONLY
	H98494	PIN	1		FOR RASPBAR

# 2D19

ELECTRICAL

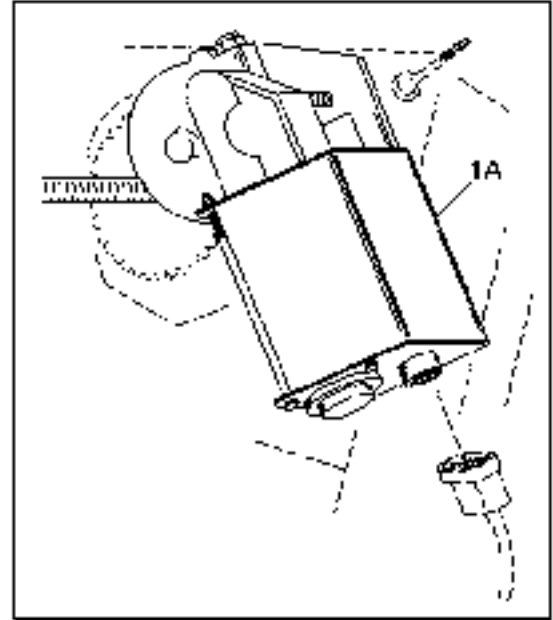
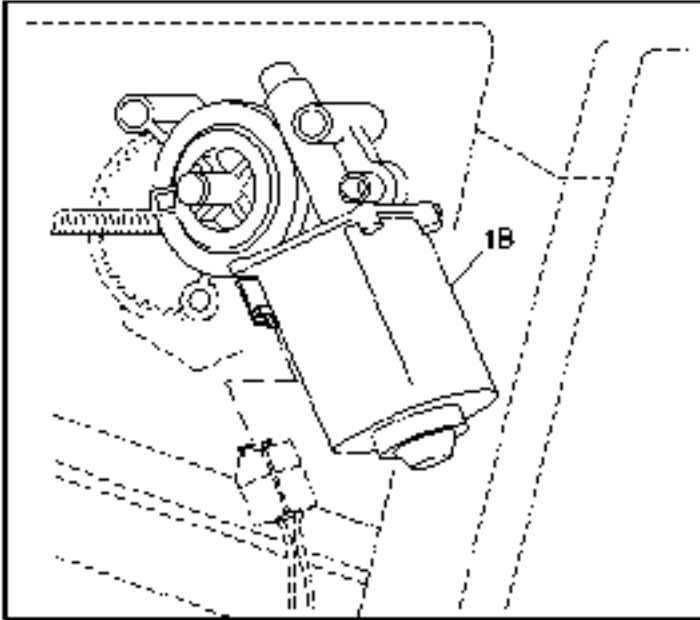
**BATTERIES, CABLES AND HOLDDOWN**  
HP4507 -UN-01JAN94



KEY	PART NO.	PART NAME	QTY	SERIAL NO.	REMARKS
1	AH145256	CABLE	1		(SUB FOR AH134250)
2	AH96317	CLIP	1		(SUB FOR AH89486)
3	H134000	CLAMP	1		
4	14M7020	WING NUT	2	-27MAY7	M8
	14M7396	LOCK NUT	2	27MAY7-	M8
5	24M7055	WASHER	2	-27MAY7	8.400 X 16 X 1.600 MM
6	H133998	HOOK BOLT	2		
	H158292	HOOK BOLT	2		
7	AH128413	CABLE	1		
8	TY21765	BATTERY	2		(SUB FOR TY6167)
9	24M7054	WASHER	1		6.400 X 12 X 1.600 MM
10	14M7303	FLANGE NUT	1		M6
11	12M7081	LOCK WASHER	1		6.400 MM
12	H144256	TRAY	2		



**SEPARATOR FAN DRIVE ADJUSTING MOTOR**  
 HP9341 -UN-22NOV99

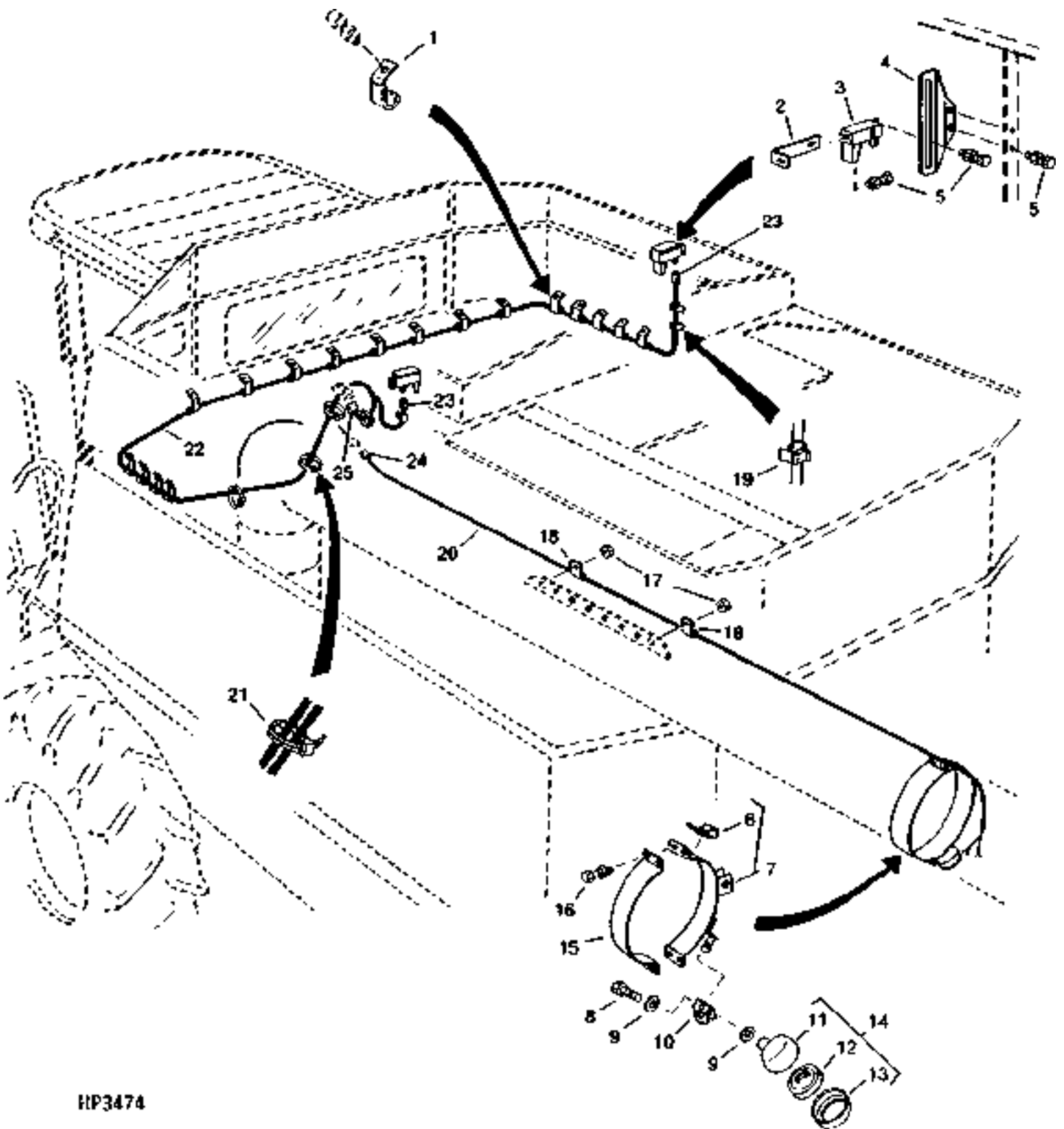


**HP9341**

KEY	PART NO.	PART NAME	QTY	SERIAL NO.	REMARKS
1A	AH124567	MOTOR	1	-655400	ADAPTER HARNESS AH143997, PLUS (2) ADAPTER AH106612 RELAYS, SUPPORT AH143904 AND CORRESPONDING HARDWARE (3) 19M8321 AND (3) 14M7165 MUST BE ORDERED WITH MOTOR AH143903 WHEN INSTALLED ON COMBINES WITH SERIAL NUMBERS UNDER 655400 IN COMBINATION WITH EXISTING POWER DISTRIBUTION BOARD AND L.H. WIRING HARNESS.
1B	AH143903	MOTOR	1	655401-	(USE WITH AH143904, 19M8321 AND 14M7165)

## GRAIN TANK DUAL LEVEL MONITOR HARNESS AND UNLOADING AUGER LIGHT

HP3474 -UN-01JAN94



HP3474

**GRAIN TANK DUAL LEVEL MONITOR HARNESS AND UNLOADING AUGER LIGHT - CONTINUED**

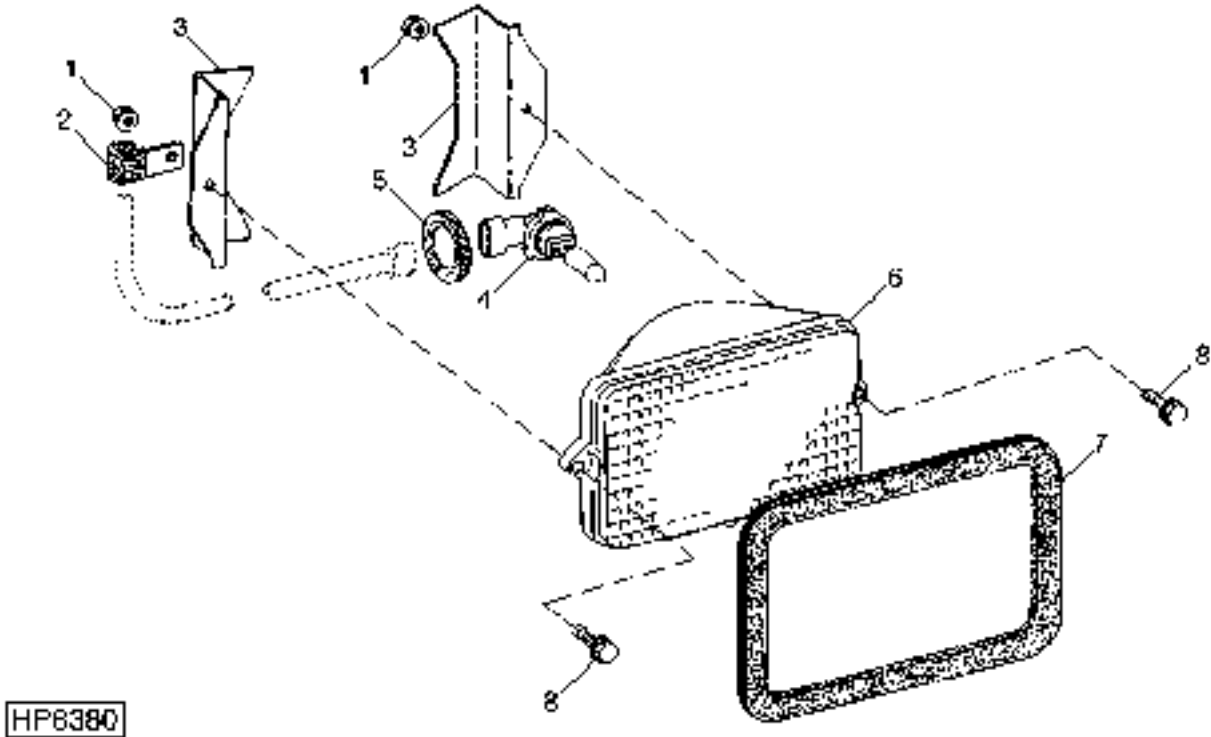
KEY	PART NO.	PART NAME	QTY	SERIAL NO.	REMARKS
1	H130637	CLAMP	5		
2	H133645	REINFORCEMENT	1		
3	AH121475	SENSOR	1		
4	H164536	BRACKET	1		(SUB FOR H135072)
5	19M7775	SCREW	4		M6 X 16
	14M7303	FLANGE NUT	4		M6
6	AH89557	CLIP	1		
7	AH126541	CLAMP	1		
8	19H1974	CAP SCREW	1		1/2" X 2-3/4"
9	24H1111	WASHER	2		17/32" X 1-1/16" X 0.090"
10	R67377	CLAMP	1		
11	.....	HOUSING	1		
12	AR42591	HEADLIGHT	1		35 WATT
13	R31250	BEZEL	1		
14	AF3892R	BULB	1	-665400	(SUB FOR AH98901)
	AH162581	KIT	1	-665400	(SUB FOR AH98901)
	AH148210	HEADLIGHT	1	665401-	
15	H133178	CLAMP	1		
16	19M7800	SCREW	4		M8 X 50
	14M7396	LOCK NUT	4		M8
17	14M7298	FLANGE NUT	2		M8
18	AH89557	CLIP	2		
19	H76064	CLIP	4		
20	AH117018	WIRING HARNESS	1	-665400	(SUB FOR AH117017) ALL AUGER LENGTHS
	AH159962	WIRING HARNESS	1	665401-	(SUB FOR AH148028) FOR ALL AUGER LENGTHS
21	M66044	TIE BAND	7		
22	AH128986	WIRING HARNESS	1		
23	RE12363	CONNECTOR	1		(PKG OF 3)
	R78048	TERMINAL NIPPLE	1		(PKG OF 5)
	R78057	SOCKET CONTACT	1		(PKG OF 40)
24	RE12363	CONNECTOR	1		(PKG OF 3)
	R78048	TERMINAL NIPPLE	1		(PKG OF 5)
	R78060	SOCKET CONTACT	1		(PKG OF 40)
25	R78053	PIN CONTACT CONNECTOR BODY	1		(PKG OF 3)
	R78063	TERMINAL NIPPLE	1		(PKG OF 40)
	R78058	PIN CONTACT	1		(PKG OF 40)

# 2D23

ELECTRICAL

## SIDE FINDER LIGHTS (LH AND RH)

HP8380 -UN-27JUL99



KEY	PART NO.	PART NAME	QTY	SERIAL NO.	REMARKS
1	14M7303	FLANGE NUT	4	M6	
2	AH89557	CLIP	2		
3	H132687	RETAINER	4		
4	AH127718	BULB	2		
5	H132900	RETAINER	2		
6	AH128328	FLOODLAMP	2		
7	H132686	GROMMET	2	-24NO97	
	H165252	GROMMET	2	24NO97-	
8	19M7774	SCREW	4	M6 X 12	
..	H132666	PLATE	2		USED ONLY WITHOUT SIDE FINDER LIGHTS
..	<b>BH78337</b>	<b>COMPLETE GOODS/SHIP. BUNDLE</b>	1		<b>SIDE FINDER LIGHTS</b>
..	<b>BH81453</b>	<b>COMPLETE GOODS/SHIP. BUNDLE</b>	1		<b>SHOE ADJUSTING LIGHT CONVERSION</b>

# 2D24

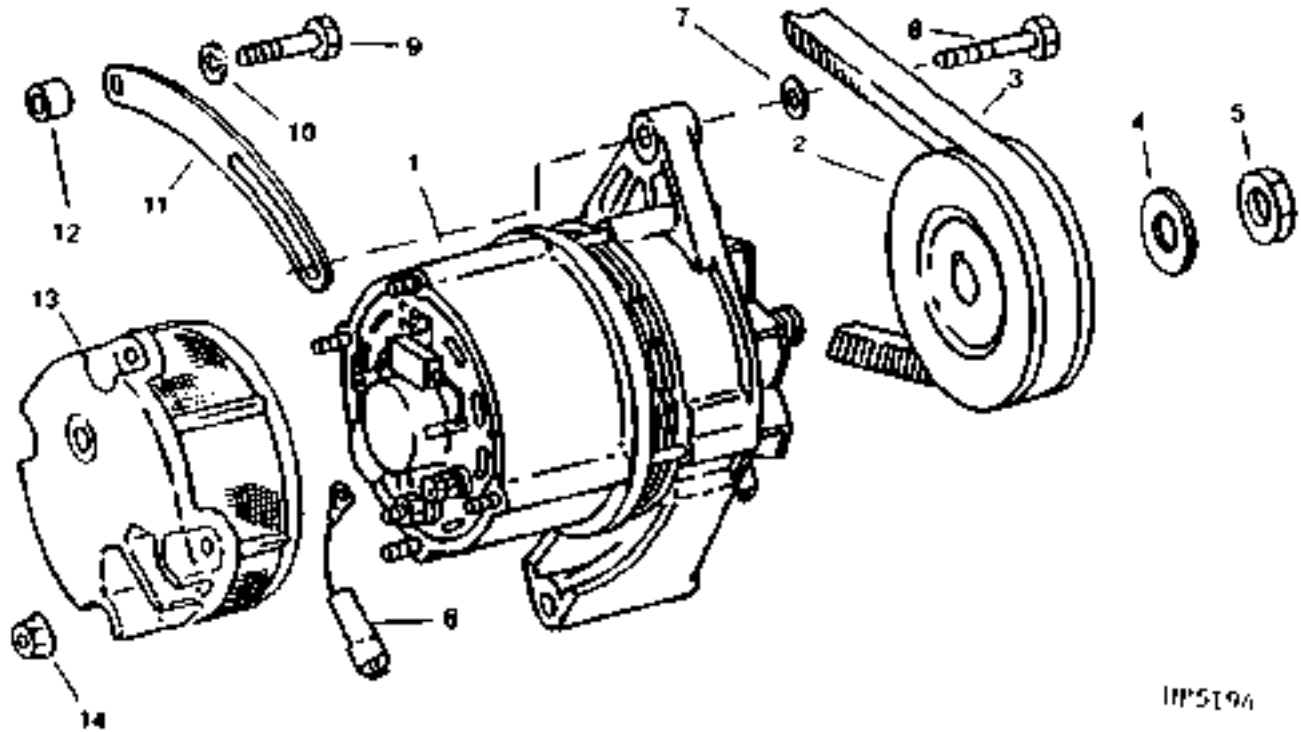
ELECTRICAL

## ALTERNATOR, SHEAVE AND BELT

BOSCH

HP5194

-UN-01JAN94



HP5194

KEY	PART NO.	PART NAME	QTY	SERIAL NO.	REMARKS
1	TY24485	ALTERNATOR	1		(SUB FOR TY6750) REMANUFACTURED
2	H144139	PULLEY	1		(SUB FOR H144115)
	H144114	SHEAVE	1		
3	H101813	BELT	1	645510-	12.700 X 1 479.550 MM (1/2" X 58-1/4")
4	T10745	WASHER	1		
5	14M7158	NUT	1		M16
6	AH146309	WIRING HARNESS	1		(SUB FOR AH134262)
7	24M7207	WASHER	1		8.400 X 24 X 2 MM
8	19M7868	SCREW	1		M8 X 30
9	19H1726	CAP SCREW	1		3/8" X 2-1/4"
10	12H304	LOCK WASHER	1		3/8"
11	R107734	STRAP	1		
12	24M7106	WASHER	1		(SUB FOR 24H1304)
13	AH138291	SCREEN	1		(USE WITH TY6750)
	AT207952	COVER	1		(USE WITH TY24485)
14	14M7375	FLANGE NUT	4		M5

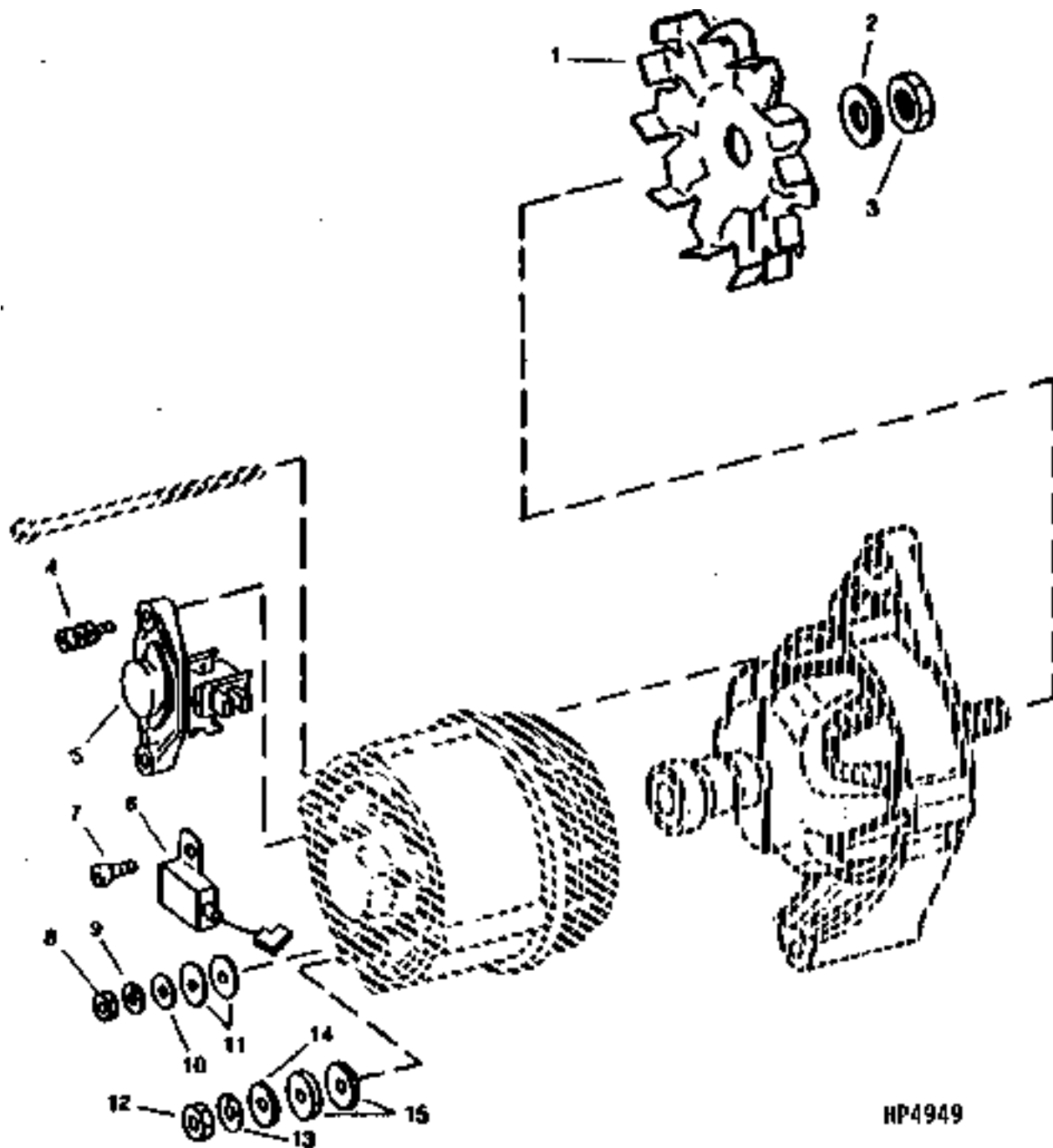
# 2E1

ELECTRICAL

BOSCH ALTERNATOR AND VOLTAGE REGULATOR ( 95 AMP )

BOSCH  
HP4949

-UN-01JAN94



# 2E2

ELECTRICAL

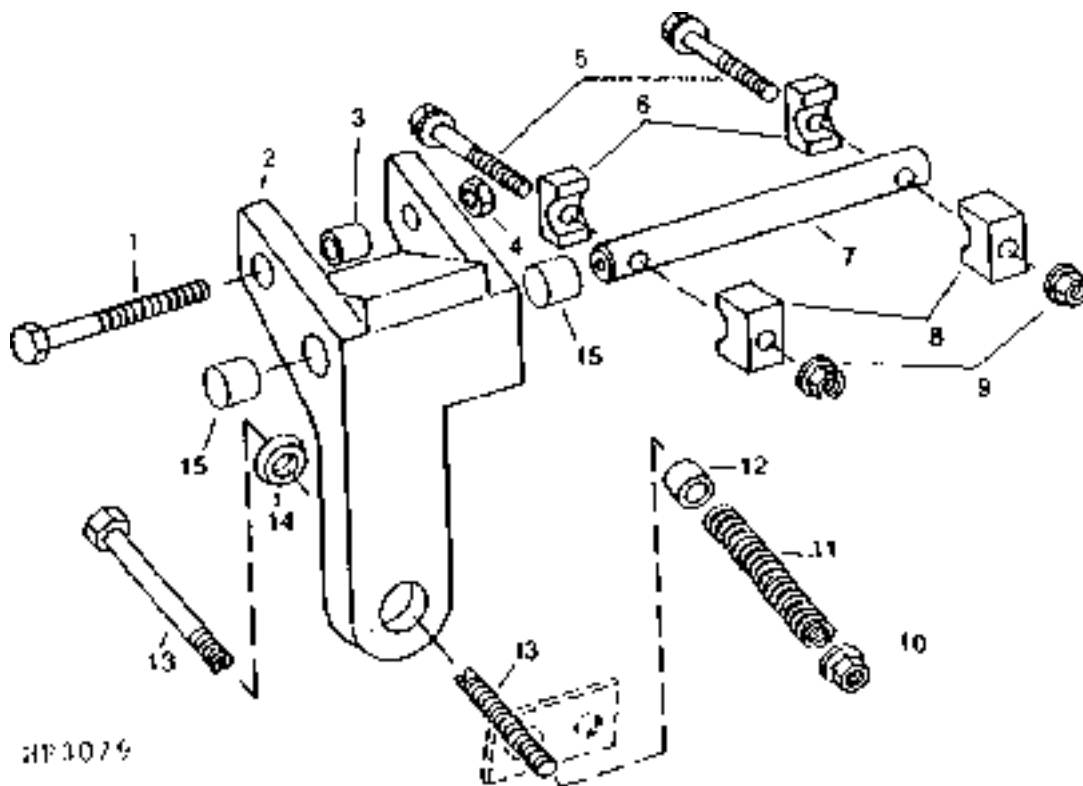
**BOSCH ALTERNATOR AND VOLTAGE REGULATOR ( 95 AMP ) - CONT.**

**BOSCH**

KEY	PART NO.	PART NAME	QTY	SERIAL NO.	REMARKS
1	L33993	FAN	1		
2	T10745	WASHER	1		17.145 X 25.781 X 1.981 MM (0.675" X 1.015" X 5/64")
3	14M7158	NUT	1		M16
4	21M7252	SCREW	2		M4 X 16
	12M7091	LOCK WASHER	2	-660400	4.300 MM
	12M7084	LOCK WASHER	2	660401-	4.300 MM (0.169")
5	H144094	VOLTAGE REGULATOR	1		
6	H144095	CAPACITOR	1		
7	21M6071	SCREW	1		M5 X 10
	12M7112	LOCK WASHER	1	-660400	5.300 MM
	12M7060	WASHER	1	660401-	5.300 MM (0.209")
8	14M7297	NUT	1		M5
9	12M7112	LOCK WASHER	1	-660400	5.300 MM
	12M7060	WASHER	1	660401-	
10	.....	WASHER	1		
11	R47460	BOLT	2		
12	14M7273	NUT	1		M8
13	12M7032	LOCK WASHER	1		8.400 MM (0.331") (SUB FOR 12M7122)
14	R15036	WASHER	1		5.156 X 19.050 X 1.524 MM
15	.....	WASHER	2		
..	TY24485	ALTERNATOR	1		(SUB FOR TY6750) REMANUFACTURED

## ALTERNATOR MOUNTING

HP3079 -UN-01JAN94

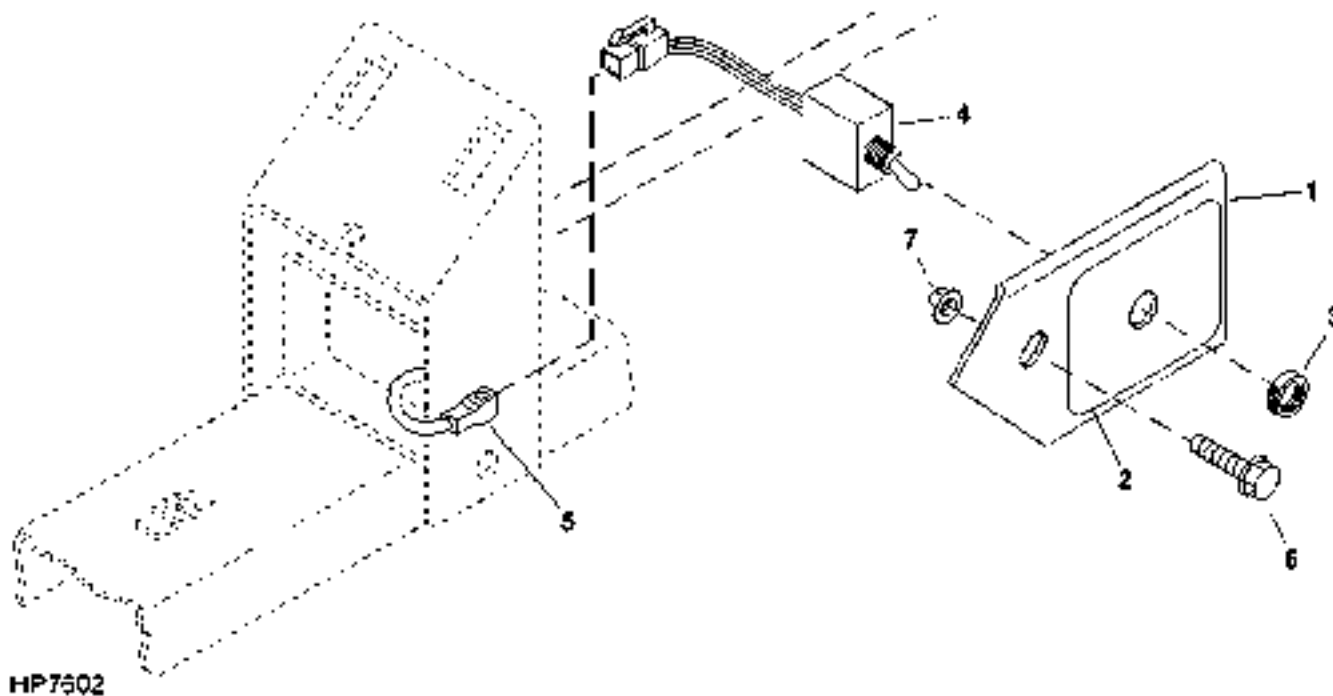


KEY	PART NO.	PART NAME	QTY	SERIAL NO.	REMARKS
1	19M8183	CAP SCREW	1	M10 X 90	
2	H141409	ARM	1		
3	H123785	SPACER	1		
4	14H732	NUT	1		
5	19M7800	SCREW	2	M8 X 50	
6	H123788	CLAMP	2		
7	H123786	PIN	1		
8	H123787	CLAMP	2		
9	14M7298	FLANGE NUT	AR	M8	
10	14M7296	FLANGE NUT	AR	M10	
11	H128906	COMPRESSION SPRING	1		
12	H134214	GUIDE	1		
13	H125873	CAP SCREW	1	M10 X 332.800	
14	H77337	WASHER	1	10.312 X 22.225 X 6.350 MM	
15	H91788	BUSHING	2		



## SHOE ADJUSTING LIGHT SWITCH

HP7602 -UN-20AUG98

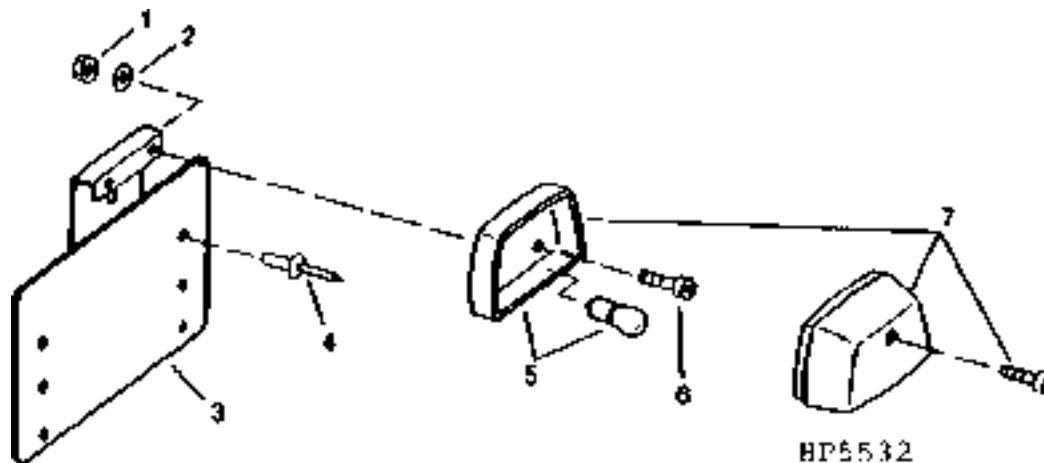


KEY	PART NO.	PART NAME	QTY	SERIAL NO.	REMARKS
1	H164632	BRACKET	1		
2	H166357	LABEL	1		
3	H140248	NUT	1	0.468"	
4	AH158310	TOGGLE SWITCH	1		
5	AH158514	WIRING HARNESS	1		
6	19M7865	SCREW	1	M8 X 16	
7	14M7298	FLANGE NUT	1	M8	
..	<b>BH81453</b>	<b>COMPLETE GOODS/SHIP. BUNDLE</b>	<b>1</b>		<b>SHOE ADJUSTING LIGHT CONVERSION</b>

**LICENSE PLATE LAMPS**

**(EXPORT)**

HP5532 -UN-01JAN94



KEY	PART NO.	PART NAME	QTY	SERIAL NO.	REMARKS
1	14M7139	NUT	2	M4	
2	12M7084	LOCK WASHER	2	4.300 MM, (SUB FOR 12M5029)	
3	DA16616	SUPPORT	1		
4	R55326	RIVET	4	4.775 MM	
5	57M7013	BULB	1		
6	21M7216	SCREW	2	M4 X 20	
7	DA22761	LAMP	1		

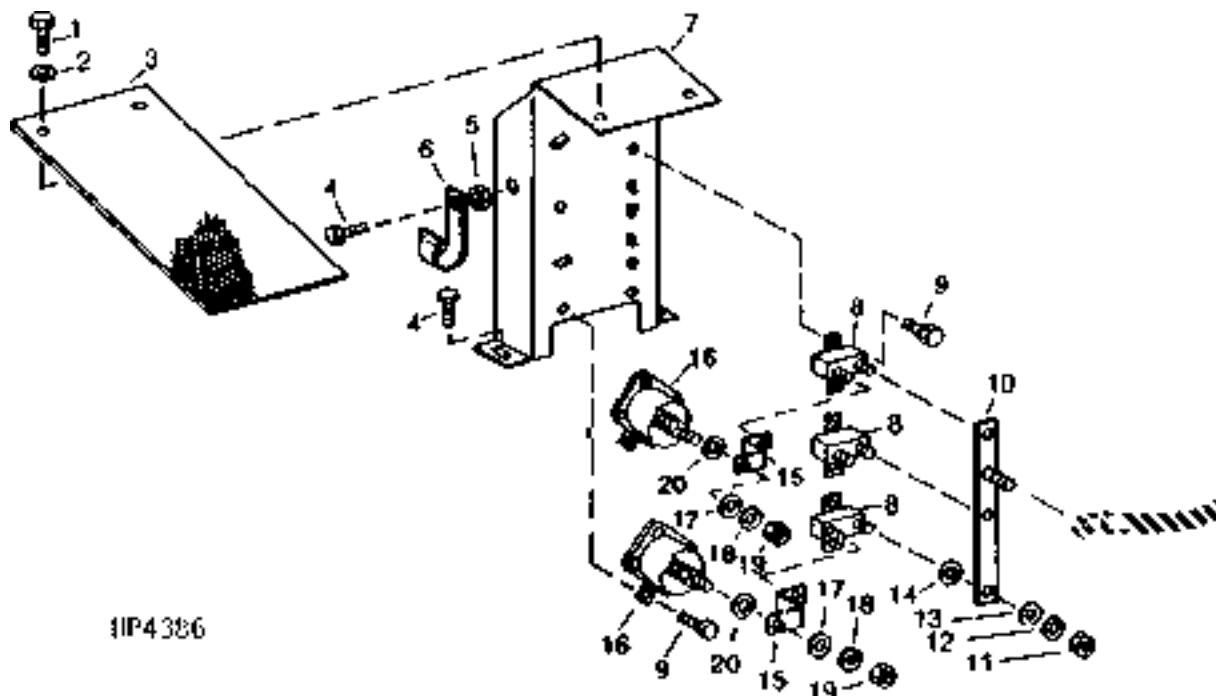
# 2E6

ELECTRICAL

## CIRCUIT BREAKERS - ENGINE COMPARTMENT

(-660400)

HP4386 -UN-01JAN94



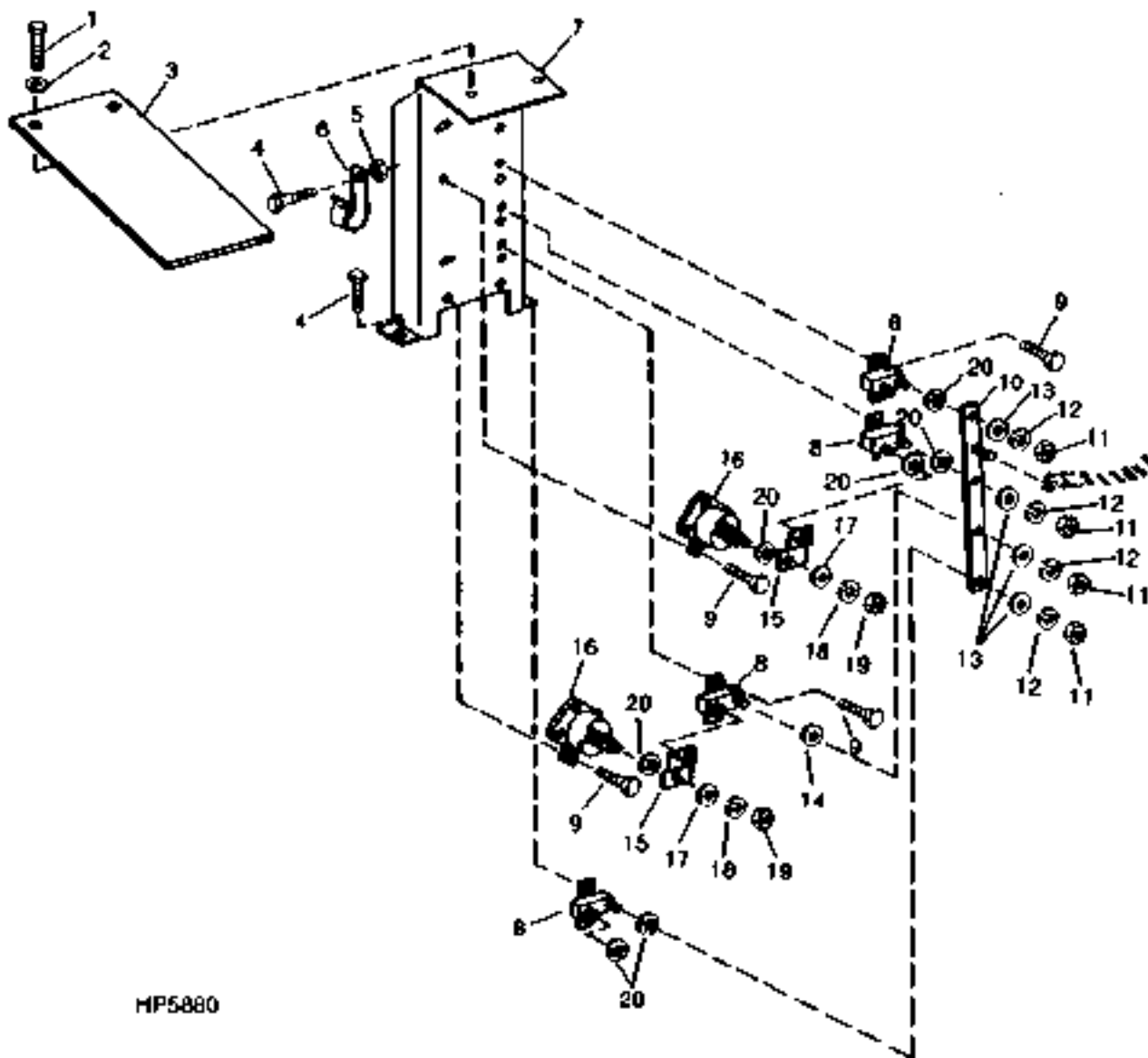
KEY	PART NO.	PART NAME	QTY	SERIAL NO.	REMARKS
1	19M7865	SCREW	2	-650400	M8 X 16
	H116740	PLUG	2	650401-	
2	24M7207	WASHER	2		8.400 X 24 X 2 MM
3	H150923	FLAP	1		(SUB FOR H135224, H149121 OR AH131071)
4	19M7865	SCREW	AR		M8 X 16
5	14M7298	FLANGE NUT	AR		M8
6	AH90990	CLIP	1		
7	H164348	PANEL	1		(SUB FOR H149120, H150922 OR AH131071)
	H116740	PLUG	1		(SUB FOR AH131071)
	H149121	FLAP	1		
8	AH112189	CIRCUIT BREAKER	3		
9	37H147	SCREW	10		
10	AH145031	STRAP	1		(SUB FOR AH120900)
11	14H631	NUT	AR		
12	12H246	LOCK WASHER	10		0.190"
13	24M7027	WASHER	10		5.300 X 10 X 1 MM
14	12M7112	LOCK WASHER	10	-660494	5.300 MM
	12M7060	WASHER	10	660495-	5.300 MM (0.209")
15	H125347	STRAP	2		
16	AR73144	RELAY	2		
17	24M7055	WASHER	AR		8.400 X 16 X 1.600 MM
18	12H303	LOCK WASHER	AR		5/16"
19	14H785	NUT	AR		5/16"
20	12M7032	LOCK WASHER	AR		8.400 MM, (SUB FOR 12M7122)

## CIRCUIT BREAKERS - ENGINE COMPARTMENT

(660401-8AUG97)

HP5880

-UN-17OCT94



HP5880

# 2E8

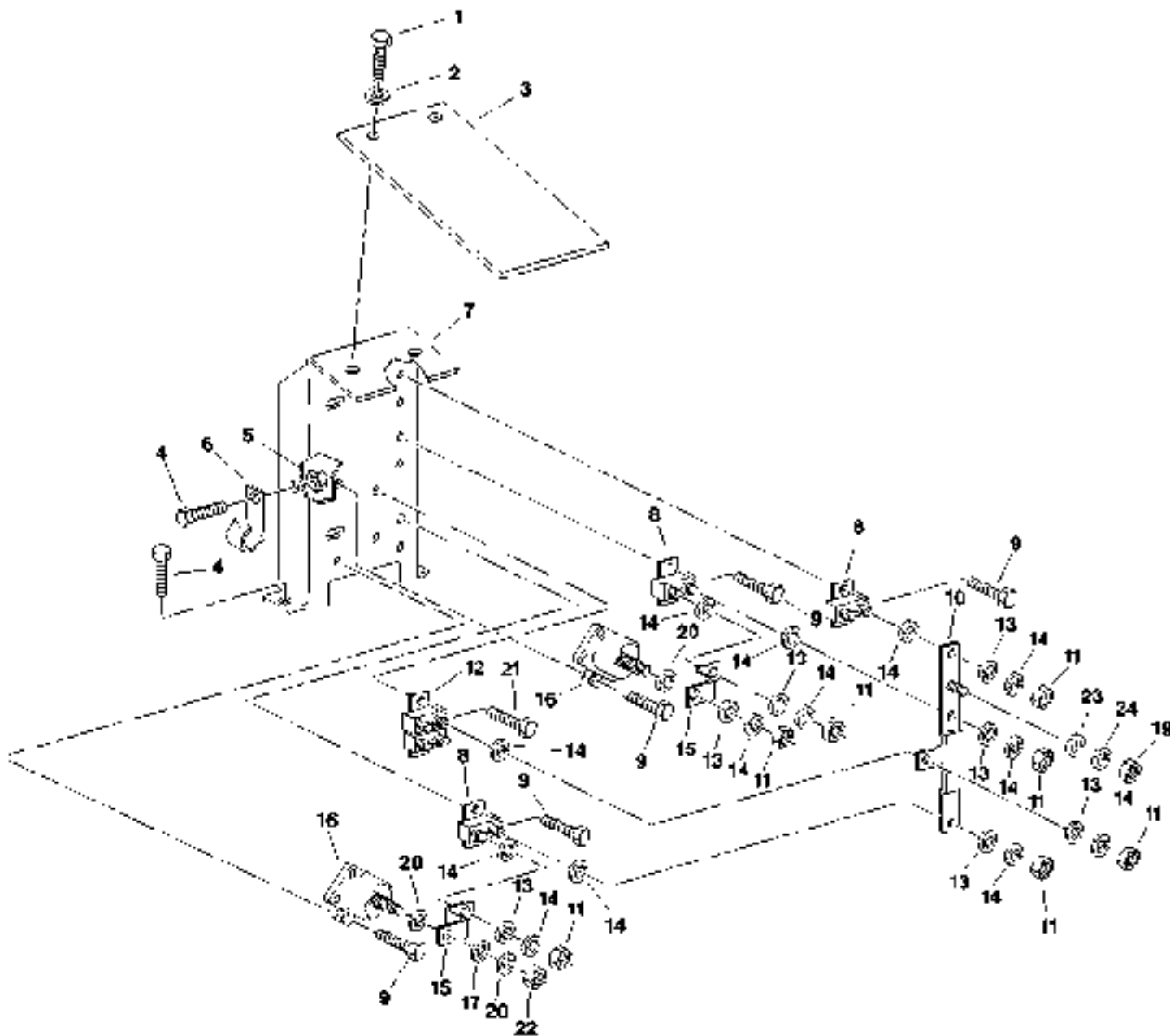
ELECTRICAL

**CIRCUIT BREAKERS - ENGINE COMPARTMENT - CONTINUED**  
**(660401-8AUG97)**

KEY	PART NO.	PART NAME	QTY	SERIAL NO.	REMARKS
1	H116740	PLUG	2		
2	24M7207	WASHER	2		8.400 X 24 X 2 MM (0.331" X 0.945" X 0.079")
3	H150923	FLAP	1		
4	19M7865	SCREW	AR		M8 X 16
5	14M7298	FLANGE NUT	AR		M8
6	AH90990	CLIP	1		
7	H164348	PANEL	1		
8	AH112189	CIRCUIT BREAKER	4		
9	37H147	SCREW	10		
10	AH145031	STRAP	1	-29SEP7	
11	14H631	NUT	AR		4.826 MM (0.190")
12	12H246	LOCK WASHER	AR		4.826 MM (0.190")
13	24M7027	WASHER	AR		5.300 X 10 X 1 MM (0.209" X 0.394" X 0.039")
14	12M7112	LOCK WASHER	AR	-660494	5.300 MM (0.209")
	12M7060	WASHER	AR	660495-	5.300 MM (0.209")
15	H125347	STRAP	2		
16	AR73144	RELAY	2		
17	24M7055	WASHER	AR		8.400 X 16 X 1.600 MM (0.331" X 0.630" X 0.063")
18	12H303	LOCK WASHER	AR		7.938 MM (5/16")
19	14H785	NUT	AR		7.925 MM (5/16")
20	12M7032	LOCK WASHER	AR		8.400 MM (0.331") (SUB FOR 12M7122)

## CIRCUIT BREAKERS - ENGINE COMPARTMENT

(8AUG97- )  
HP7383 -UN-21JAN98



HP7383

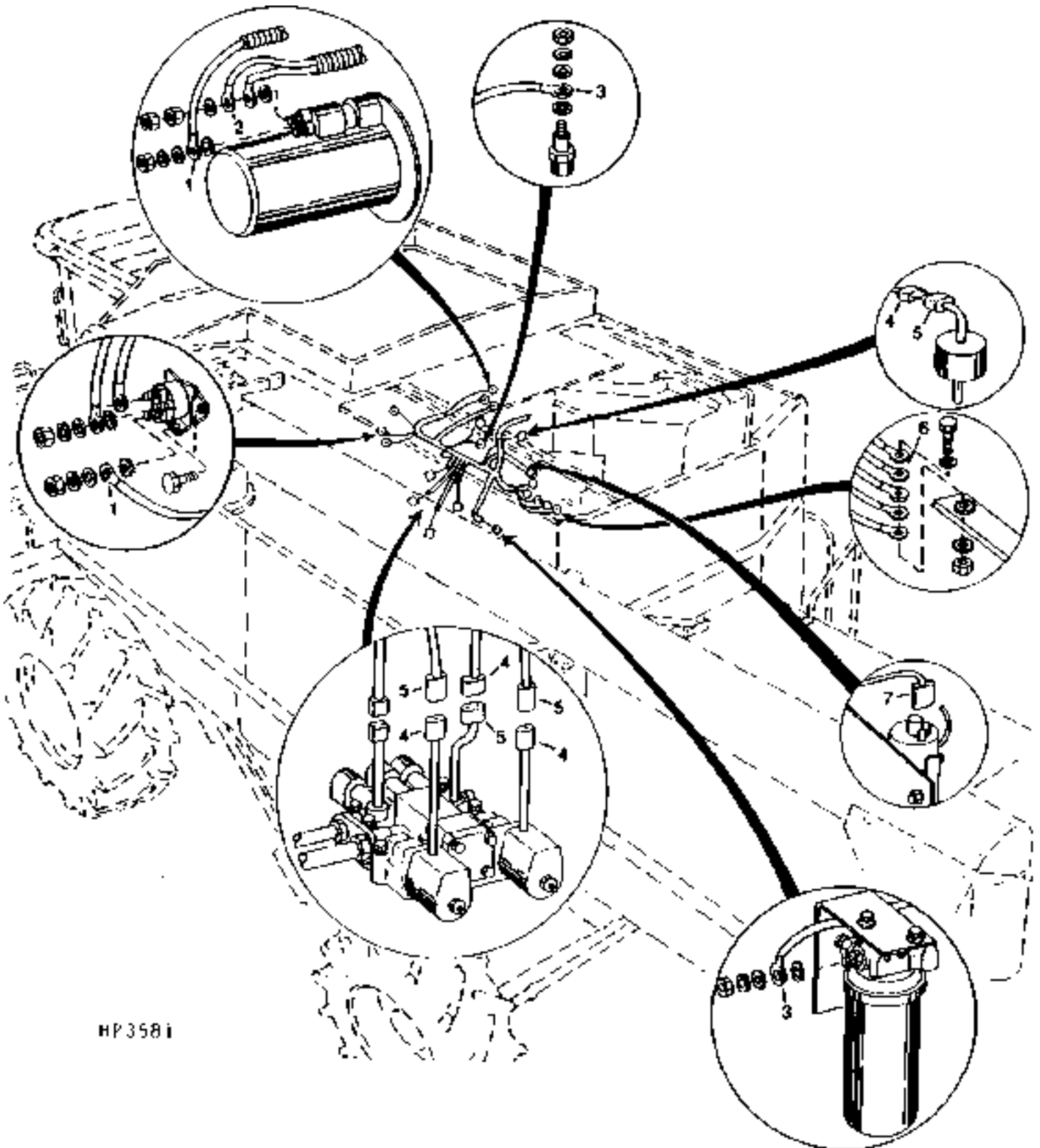
# 2E10

ELECTRICAL

**CIRCUIT BREAKERS - ENGINE COMPARTMENT - CONTINUED**  
(8AUG97- )

KEY	PART NO.	PART NAME	QTY	SERIAL NO.	REMARKS
1	H116740	PLUG	2		
2	24M7207	WASHER	2		8.400 X 24 X 2 MM (0.331" X 0.945" X 0.079")
3	H150923	FLAP	1		
4	19M7865	SCREW	1		M8 X 16
5	14M7298	FLANGE NUT	1		M8
6	AH90990	CLIP	1		
7	H164348	PANEL	1		
8	AH112189	CIRCUIT BREAKER	3		
9	37H147	SCREW	8		
10	AH158604	STRAP	1		
11	R32176	NUT	7		
12	AH159105	CIRCUIT BREAKER	1		DUAL 50A
13	24M7027	WASHER	7		5.300 X 10 X 1 MM (0.209" X 0.394" X 0.039")
14	12M7060	WASHER	12		5.300 MM (0.209") (SUB FOR 12M7112)
15	H125347	STRAP	2		
16	AR73144	RELAY	2		
17	24M7055	WASHER	1		8.400 X 16 X 1.600 MM (0.331" X 0.630" X 0.063")
18	12M7081	LOCK WASHER	1		6.400 MM (0.252") M6.4
19	14H860	NUT	1		6.350 MM (1/4") M6
20	12M7032	LOCK WASHER	AR		8.400 MM (0.331")
21	37H129	SCREW	1		10 X 5/8
22	14H785	NUT	1		5/16
23	24M7054	WASHER	1		M6.4 X 12.5 X 1.6
24	12H302	LOCK WASHER	1		

LOWER HARNESS CONNECTORS FOR 6076 ENGINE  
HP3581 -UN-01JAN94



HP3581



# 2E12

ELECTRICAL

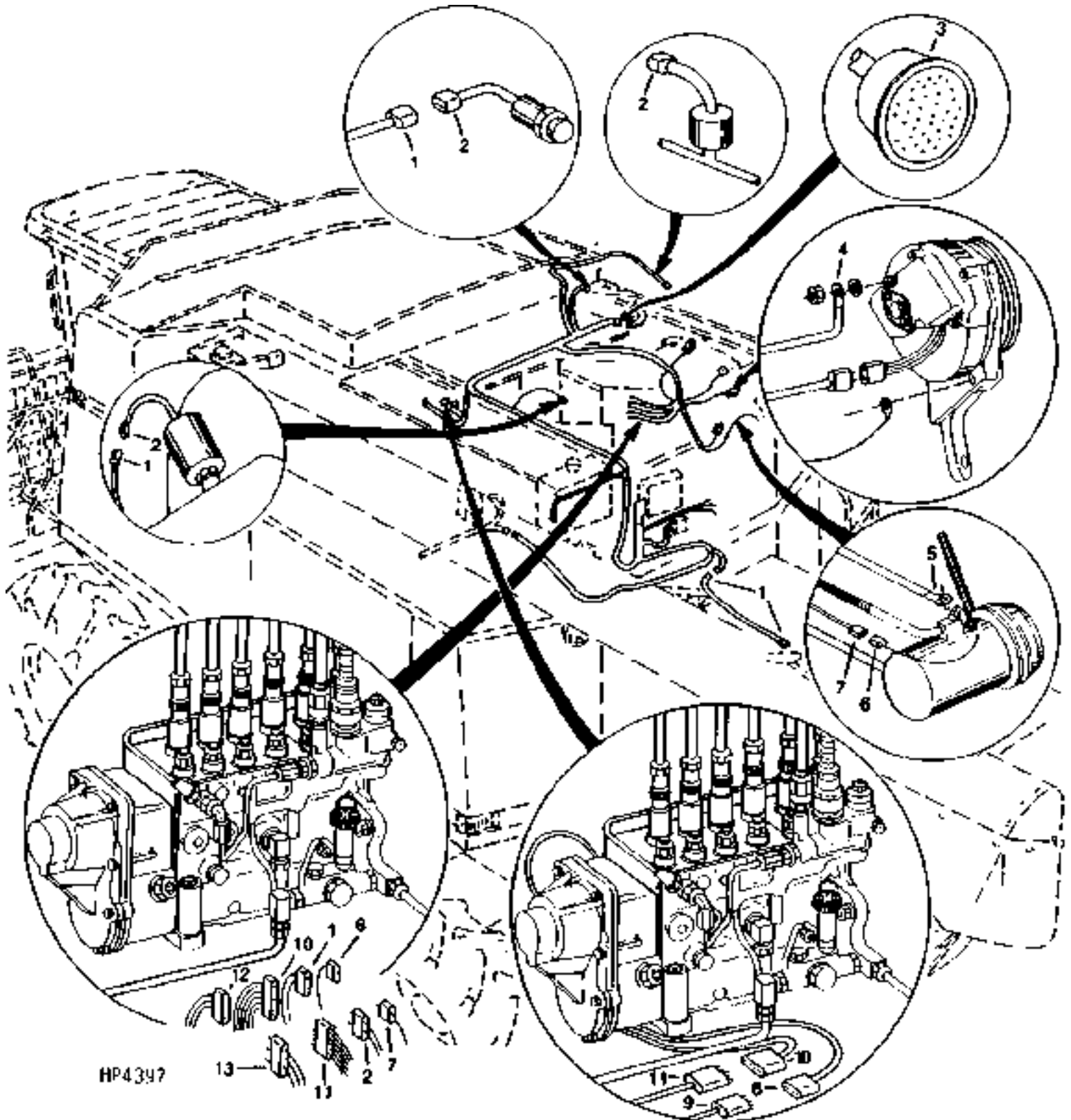
## LOWER HARNESS CONNECTORS FOR 6076 ENGINE - CONTINUED

KEY	PART NO.	PART NAME	QTY	SERIAL NO.	REMARKS
1	R77493	TERMINAL	1		
2	R77491	TERMINAL	1		
3	R77489	TERMINAL	2		
4	R78053	PIN CONTACT CONNECTOR BODY	4		(PKG OF 3)
	R78061	PIN CONTACT	2		(PKG OF 40)
	R78063	TERMINAL NIPPLE	2		(PKG OF 40)
5	RE12363	CONNECTOR	4		(PKG OF 3)
	R78048	TERMINAL NIPPLE	1		(PKG OF 5)
6	57M7111	TERMINAL	1		(NO LONGER AVAILABLE)
7	R77479	CONNECTOR	1		FOR ETHER START
	U46662	TERMINAL	1		FOR ETHER START

# 2E13

ELECTRICAL

UPPER HARNESS CONNECTORS FOR 6076 ENGINE  
HP4397 -UN-01JAN94



HP4397

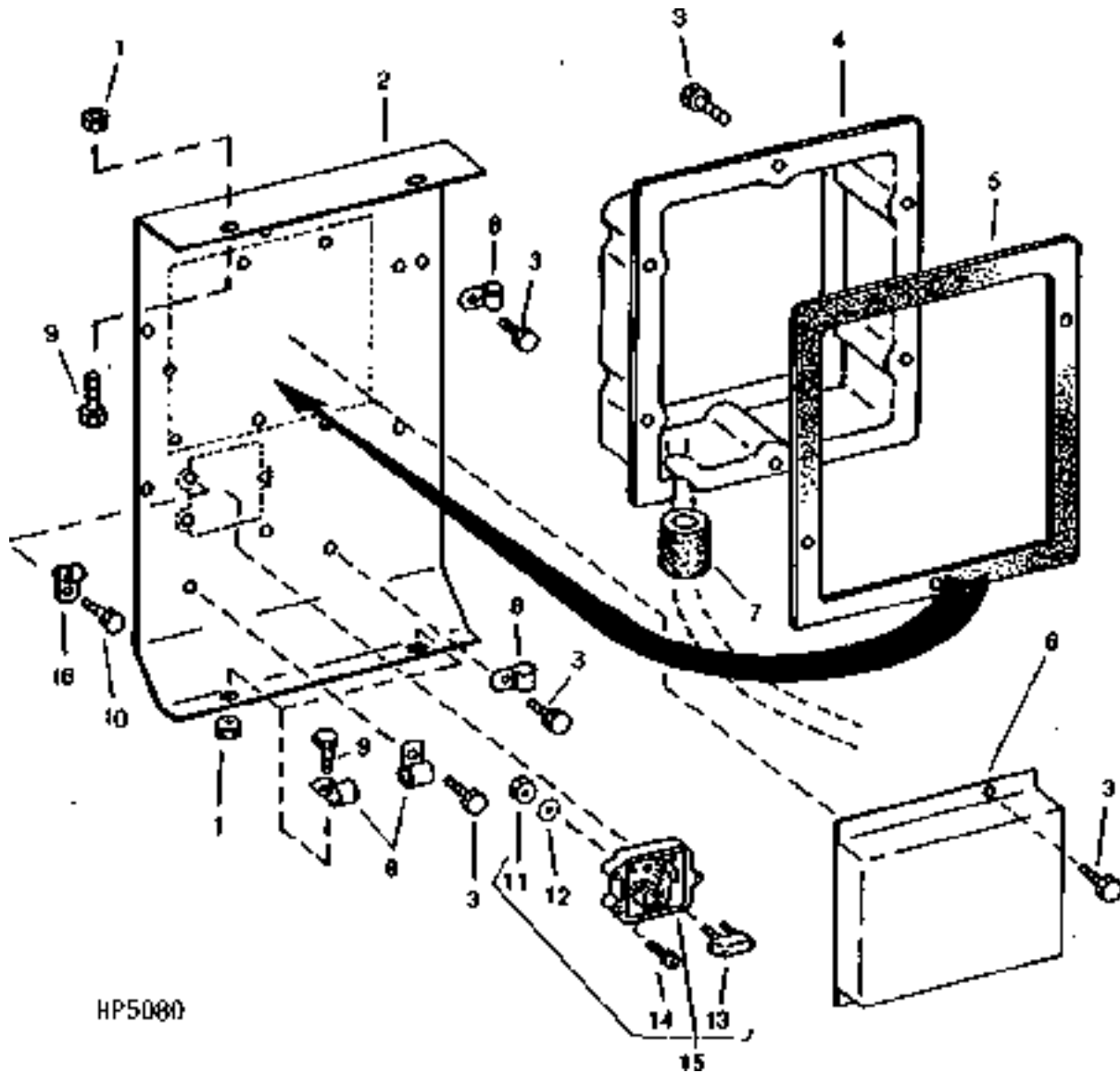
## UPPER HARNESS CONNECTORS FOR 6076 ENGINE - CONTINUED

KEY	PART NO.	PART NAME	QTY	SERIAL NO.	REMARKS
1	RE12363	CONNECTOR	1	( PKG OF 3 )	
	R78048	TERMINAL NIPPLE	2	( PKG OF 5 )	
	R78060	SOCKET CONTACT	2	( PKG OF 40 )	
	R78063	TERMINAL NIPPLE	1	( PKG OF 40 )	
2	R78053	PIN CONTACT CONNECTOR BODY	2	( PKG OF 3 )	
	R78063	TERMINAL NIPPLE	2	( PKG OF 40 )	
	R78060	SOCKET CONTACT	2	( PKG OF 40 )	
3	R77457	ELECTRICAL PLUG	1	37 PIN CONNECTOR	
	R77465	SOCKET CONTACT	1		
	R77463	SOCKET CONTACT	1		
4	R77494	TERMINAL	1		
5	R77489	TERMINAL	1		
6	R78052	PIN CONTACT CONNECTOR BODY	1	( PKG OF 3 )	
	R78061	PIN CONTACT	1	( PKG OF 40 )	
	R78063	TERMINAL NIPPLE	1	( PKG OF 40 )	
7	RE12362	CONNECTOR	1	( PKG OF 3 )	
	R78060	SOCKET CONTACT	1	( PKG OF 40 )	
	R78063	TERMINAL NIPPLE	1	( PKG OF 40 )	
8	R78055	PIN CONTACT CONNECTOR BODY	1	( PKG OF 2 )	
	R78058	PIN CONTACT	1	( PKG OF 40 )	
	R78059	ELECTRICAL PLUG	1	( PKG OF 40 )	
9	RE12365	CONNECTOR	1	(PKG OF 2 )	
	R78050	SEAL	1	( PKG OF 5 )	
	R78060	SOCKET CONTACT	1	( PKG OF 40 )	
	R78059	ELECTRICAL PLUG	1	( PKG OF 40 )	
10	R78056	PIN CONTACT CONNECTOR BODY	1	( PKG OF 2 )	
	R78058	PIN CONTACT	1	( PKG OF 40 )	
	R78059	ELECTRICAL PLUG	1	( PKG OF 40 )	
11	RE12366	CONNECTOR	1	( PKG OF 2 )	
	R78051	SEAL	1	( PKG OF 5 )	
	R78057	SOCKET CONTACT	1	( PKG OF 40 )	
	R78059	ELECTRICAL PLUG	1	( PKG OF 40 )	
12	RE12332	CONNECTOR	1		
	R78054	PIN CONTACT CONNECTOR BODY	1	( PKG OF 3 )	
	R78060	SOCKET CONTACT	1	( PKG OF 40 )	
	R78063	TERMINAL NIPPLE	1	( PKG OF 40 )	
13	RE12364	SOCKET CONT.CONNECTOR BODY	1	( PKG OF 3 )	
	R78049	SEAL	1	( PKG OF 5 )	
	R78060	SOCKET CONTACT	1	( PKG OF 40 )	
	R78063	TERMINAL NIPPLE	1	( PKG OF 40 )	

# 2E15

ELECTRICAL

ELECTRONIC CONTROL UNIT (ECU) MOUNTING SUPPORT  
HP5080 -UN-01JAN94



HP5080

# 2E16

ELECTRICAL

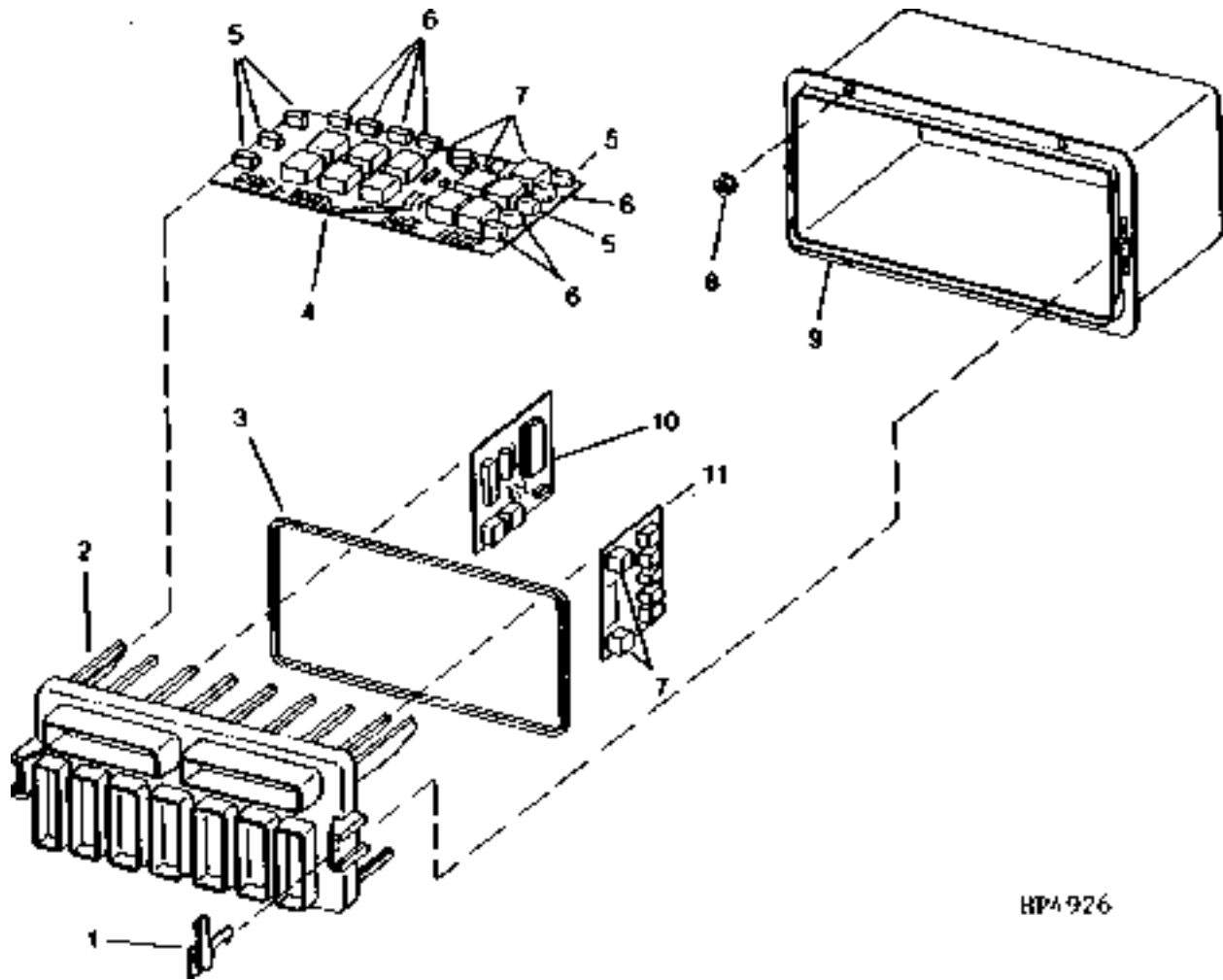
## ELECTRONIC CONTROL UNIT (ECU) MOUNTING SUPPORT - CONTINUED

KEY	PART NO.	PART NAME	QTY	SERIAL NO.	REMARKS
1	14M7298	FLANGE NUT	4		
2	AH130497	PLATE	1	-670493	
	AH153815	PLATE	1	670494-	
3	19M7862	SCREW	9		M6 X 20
	19M7862	SCREW	4	-660400	M6 X 20, (NIPPENDENSO)
	19M7774	SCREW	3	660401-670493	M6 X 12
	19M7721	CAP SCREW	3	670494-	
4	H134474	COVER	1	-670493	
5	H134475	SEAL	1	-670493	
6	.....	ENGINE CONTROLLER	1		SEE SECTION 26, ELECTRONIC CONTROL UNIT
7	H134476	ISOLATOR	1	-670493	
8	AH96317	CLIP	4		(SUB FOR AH89486)
9	19M7865	SCREW	4		M8 X 16
10	19M8290	SCREW	3		M6 X 35
11	14H631	NUT	2		0.190"
12	12H295	LOCK WASHER	2		0.190"
13	AR56671	CIRCUIT BREAKER	1		
14	.....	SCREW	2		
15	AH108414	PRINTED CIRCUIT	1		
16	AH90990	CLIP	1		
..	H116160	SEALANT	1		3 OZ. TUBE

# 2E17

ELECTRICAL

CENTRAL ELECTRONICS MODULE AND CIRCUIT BOARDS  
HP4926 -UN-01JAN94



HP4926

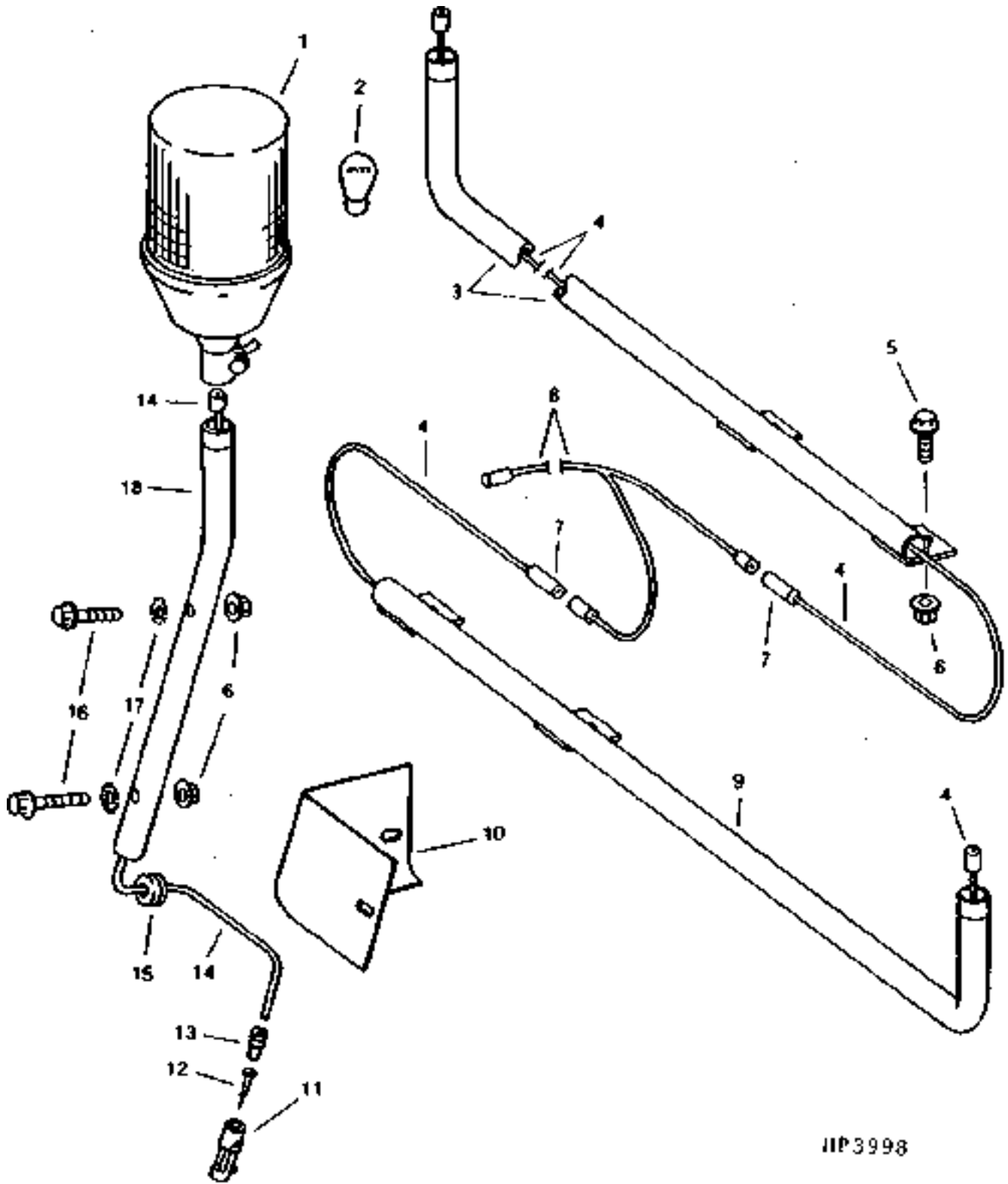
CENTRAL ELECTRONICS MODULE AND CIRCUIT BOARDS - CONTINUED

KEY	PART NO.	PART NAME	QTY	SERIAL NO.	REMARKS
1	AH115943	LATCH	2		
2	H124206	COVER	1		
3	H144242	SEAL	1		WORKS FOR ALL
4	AH140078	CIRCUIT BOARD	1	-655400	POWER; ADAPTER HARNESS AH144381 PLUS TWO, (SUB AH143711) ADAPTER AH106612 RELAYS MUST BE ORDERED WITH AH143711 POWER CIRCUIT BOARD WHEN INSTALLED ON COMBINES WITH SERIAL NUMBERS UNDER 655400 IN COMBINATION WITH EXISTING L.H. MAIN WIRING HARNESS AND FAN SPEED ADJUST MOTOR. . . . .
					. . . . . ADAPTER HARNESS AH144382 MUST BE ORDERED WITH AH143711 POWER CIRCUIT BOARD AND AH143903 FAN SPEED ADJUST MOTOR WHEN INSTALLED ON COMBINES WITH SERIAL NUMBERS UNDER 655400 IN COMBINATION WITH EXISTING L.H. MAIN HARNESS.
	AH143711	CIRCUIT BOARD	1	-660400	(SUB AH145699) POWER
	AH145699	CIRCUIT BOARD	1		POWER (W/O RELAYS AND CIRCUIT BREAKERS)
	AH134686	CIRCUIT BOARD	1	-655400	(SUB AH143719) (POWER) EXPORT ONLY ADAPTER HARNESS AH144381 PLUS TWO ADAPTER AH106612 RELAYS MUST BE ORDERED WITH AH143719 POWER CIRCUIT BOARD WHEN INSTALLED ON COMBINES WITH SERIAL NUMBERS UNDER 655300 IN COMBINATION WITH EXISTING L.H. MAIN HARNESS AND FAN SPEED ADJUST FAN. . . . .
					. . . . . ADAPTER HARNESS AH144382 MUST BE ORDERED WITH AH143711 POWER CIRCUIT BOARD AND AH143903 FAN SPEED ADJUST MOTOR WHEN INSTALLED ON COMBINES WITH SERIAL NUMBERS UNDER 655300 IN COMBINATION WITH EXISTING L.H. MAIN HARNESS.
	AH143719	CIRCUIT BOARD	1	-660400	(SUB AH145700) (EXPORT ONLY)
	AH145700	CIRCUIT BOARD	1	660401-9SEP96	EXPORT ONLY
	AH152619	CIRCUIT BOARD	1	9SEP96-	(EXPORT ONLY)
5	AH122139	CIRCUIT BREAKER	5		
6	AH127677	CIRCUIT BREAKER	7		
7	AH106612	RELAY	13		
8	14M7303	FLANGE NUT	4		M6
9	H124205	BOX	1		
10	AH128397	CIRCUIT BOARD	1	-650400	DIAL-A-SPEED
	AH142442	CIRCUIT BOARD	1	650401-660400	DIAL-A-SPEED
	AH144433	CIRCUIT BOARD	1	660401-	(SUB AH145964) REEL SPEED
	AH145964	CIRCUIT BOARD	1		REEL SPEED
11	AH136498	CIRCUIT BOARD	1	-655400	DIAL-A-MATIC
	AH143745	CIRCUIT BOARD	1	-655551	(W/O CONTOUR MASTER) DIAL-A-MATIC
	AH145701	CIRCUIT BOARD	1	655552-	(W/O CONTOUR MASTER) DIAL-A-MATIC
	AH137147	CIRCUIT BOARD	1	660401-	(GRAIN) (W/CONTOUR MASTER)
..	<b>BH79485</b>	<b>COMPLETE GOODS/SHIP. BUNDLE</b>	<b>1</b>		<b>DIAL-A-SPEED</b>

# 2E19

ELECTRICAL

REVOLVING BEACON LIGHTS (EXPORT ONLY)  
HP3998 -UN-01JAN94



HP3998



# 2E20

ELECTRICAL

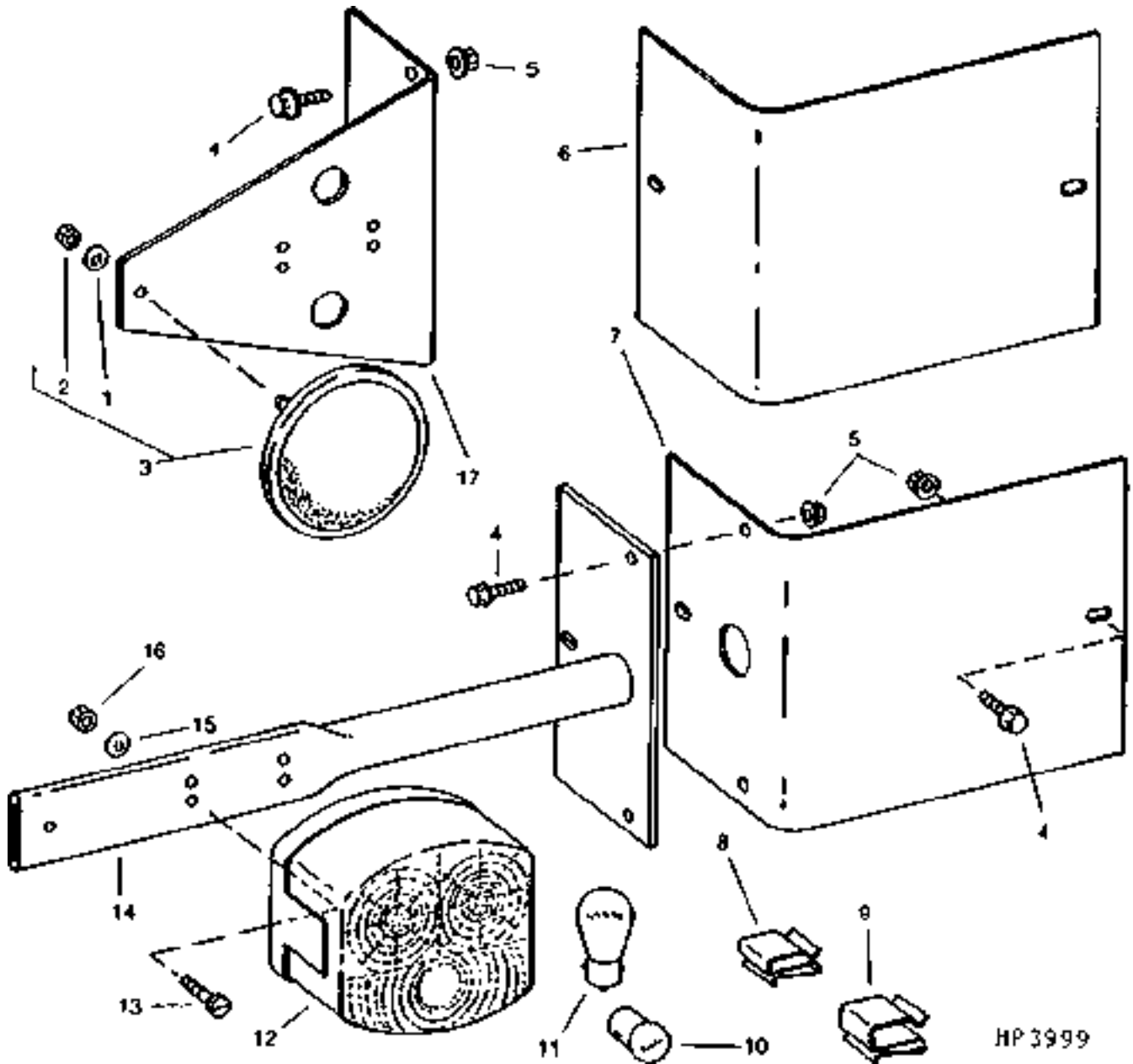
## REVOLVING BEACON LIGHTS (EXPORT ONLY) - CONTINUED

KEY	PART NO.	PART NAME	QTY	SERIAL NO.	REMARKS
1	AZ44705	FLARE	1		(SUB FOR AZ23847)
2	57M7019	BULB	4		
3	AH132869	SUPPORT	1		
4	AH132865	WIRING HARNESS	2		
5	19M7866	SCREW	4	M8 X 20	
6	14M7298	FLANGE NUT	8	M8	
7	R78052	PIN CONTACT CONNECTOR BODY	2	(PKG OF 3)	
8	AH132866	WIRING HARNESS	1		
9	AH132867	SUPPORT	1		
10	H138363	COVER	1		
	H138364	COVER	1		
11	R78052	PIN CONTACT CONNECTOR BODY	2	(PKG OF 3)	
12	R78061	PIN CONTACT	2	(PKG OF 40)	
13	R78063	TERMINAL NIPPLE	2	(PKG OF 40)	
14	AH132232	WIRING HARNESS	2		
15	H83060	GROMMET	2		
16	19M8313	CAP SCREW	4	M12 X 55	
17	12M7032	LOCK WASHER	2	8.400 MM	
18	H137657	SUPPORT	2		

# 2E21

ELECTRICAL

REAR LIGHTS (EXPORT ONLY)  
HP3999 -UN-01JAN94



HP3999

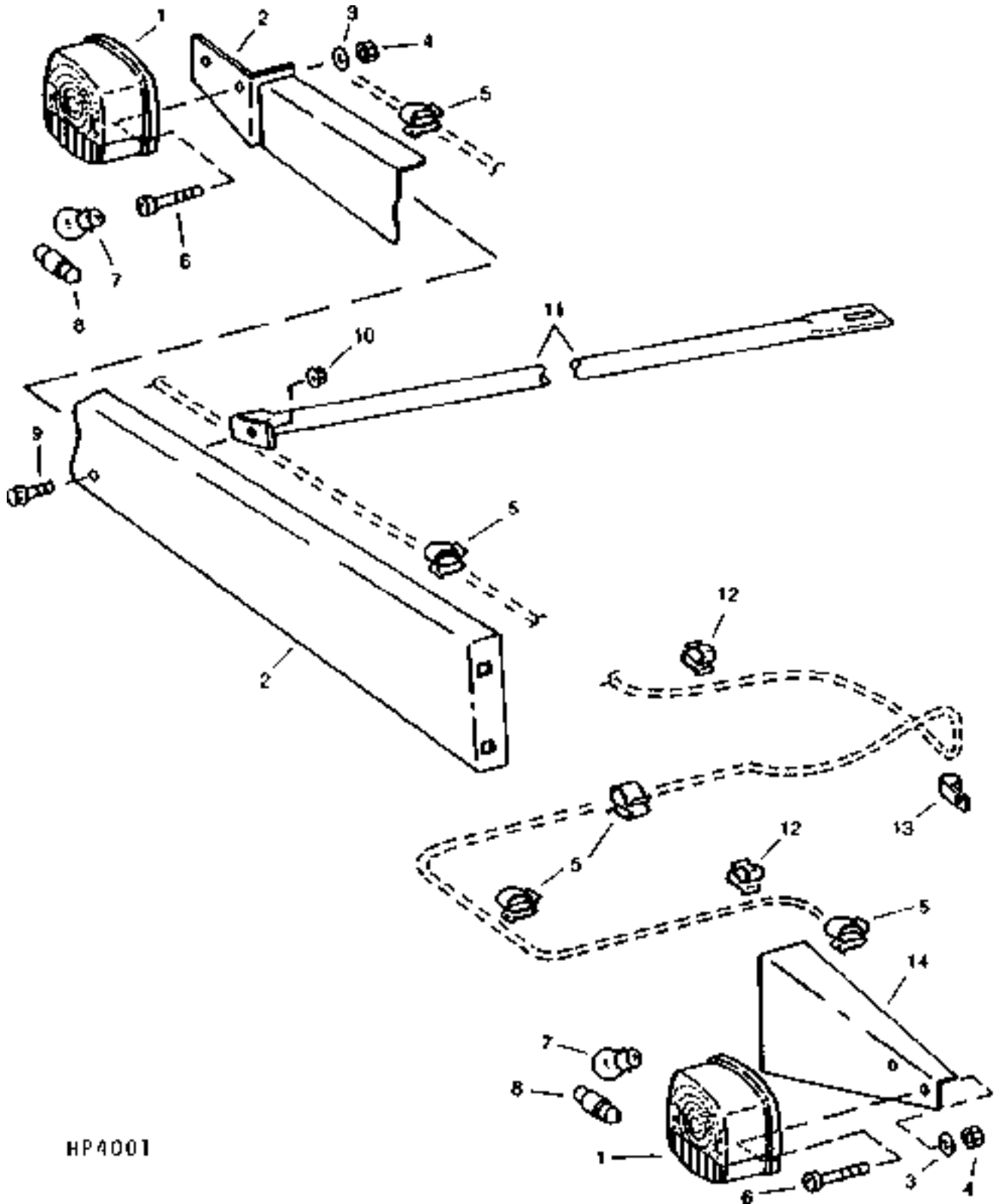
## REAR LIGHTS (EXPORT ONLY) - CONTINUED

KEY	PART NO.	PART NAME	QTY	SERIAL NO.	REMARKS
1	12M7112	LOCK WASHER	2	-660400	5.300 MM, (SUB 12M7060)
	12M7060	WASHER	2		5.300 MM (0.209")
2	14M7297	NUT	2		M5
3	L39871	REFLECTOR	2		
4	19M7775	SCREW	8		M6 X 16
5	14M7303	FLANGE NUT	8		M6
6	H140184	COVER	1		
7	H140184	COVER	1		
8	H64612	CLIP	1		
9	H76064	CLIP	1		
10	57M7013	BULB	2		
11	57M4014	BULB	4		
12	AL67206	TAIL LAMP	1		(SUB FOR AT43601) R.H. TAIL LIGHT
	AL67208	TAIL LAMP	1		(SUB FOR AT43600) L.H. TAIL LIGHT
13	21M7216	SCREW	4		M4 X 20
14	AH134800	SUPPORT	2		
15	12M7084	LOCK WASHER	4		4.300 MM (0.169") (SUB FOR 12H290)
16	14M7139	NUT	4		M4, (SUB FOR (4) 14M7100)
17	H140187	BRACKET	2		
..	H149097	LABEL	1		"WARNING" PROJECTILE - FRENCH
..	AH119834	TAIL LAMP	1		(INCLUDES AT43601 AND (2) 57M7014)

# 2E23

ELECTRICAL

HEADER LIGHTS ( EXPORT ONLY )  
HP4001 -UN-01JAN94



HP4001

HEADER LIGHTS ( EXPORT ONLY ) - CONTINUED

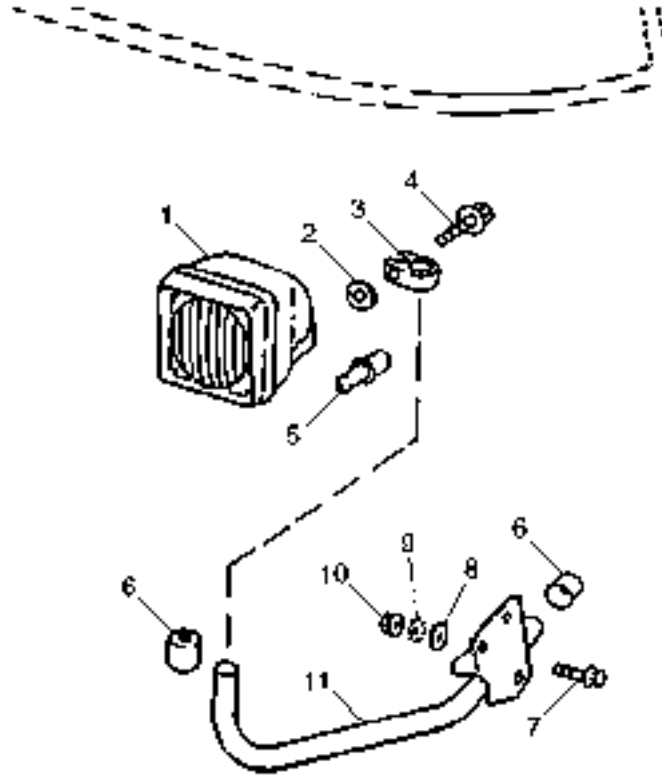
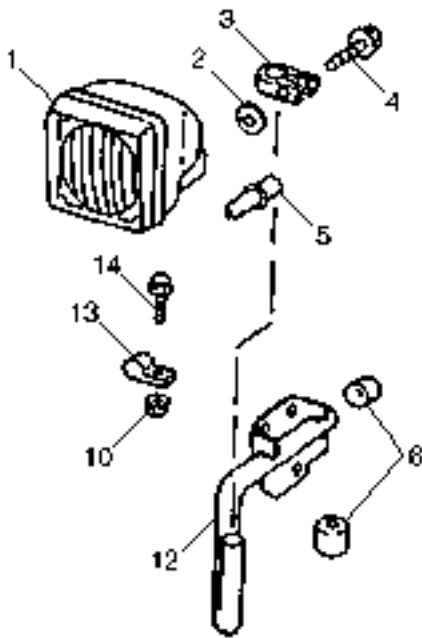
KEY	PART NO.	PART NAME	QTY	SERIAL NO.	REMARKS
1	AL58739	SIDE LIGHT	2		
2	AH134802	BRACKET	1		
3	12M7084	LOCK WASHER	2		4.300 MM (0.169") (SUB FOR 12H290)
4	14M7139	NUT	2		M4, (SUB FOR (2) 14M7100)
5	H76064	CLIP	5		
6	21M7250	SCREW	2		M4 X 12
7	57M7014	BULB	2		
8	57M6274	BULB	2		
9	19M7865	SCREW	1		M8 X 16
10	14M7298	FLANGE NUT	1		M8
11	H140193	TUBE	1		
12	H64612	CLIP	2		
13	AH89557	CLIP	1		
14	H140189	BRACKET	1		

# 2E25

ELECTRICAL

## HEADLIGHTS UNDER CAB ( EXPORT ONLY )

HP9343 -UN-24NOV99



HP9343

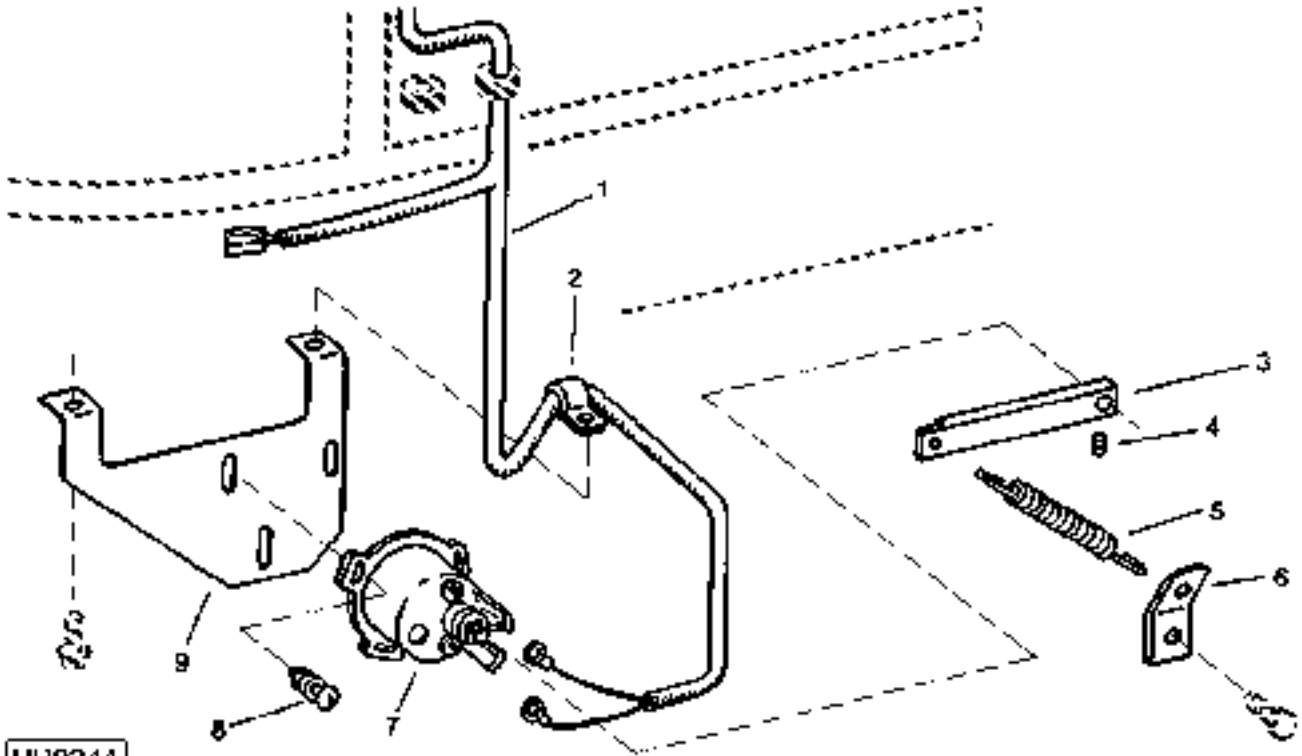
KEY	PART NO.	PART NAME	QTY	SERIAL NO.	REMARKS
1	AH135370	HEADLIGHT	2		
2	H75716	LOCK WASHER	2	0.520"	
3	M2301T	CLAMP	2		
4	19M8112	SCREW	2	M12 X 55	
5	57M7197	BULB	2		
6	H141411	CAP	4		
7	19M7866	SCREW	6	M8 X 20	
8	24M7055	WASHER	1	8.400 X 16 X 1.600 MM, ONE AT THIS LOCATION ONLY	
9	12M7032	LOCK WASHER	1	8.400 MM, ONE AT THIS LOCATION ONLY	
10	14M7298	FLANGE NUT	6	M8	
11	AH135823	SUPPORT	1	L.H.	
12	AH135822	SUPPORT	1	R.H.	
13	AH89557	CLIP	1		
14	19M7865	SCREW	1	M8 X 16	

# 2F1

ELECTRICAL

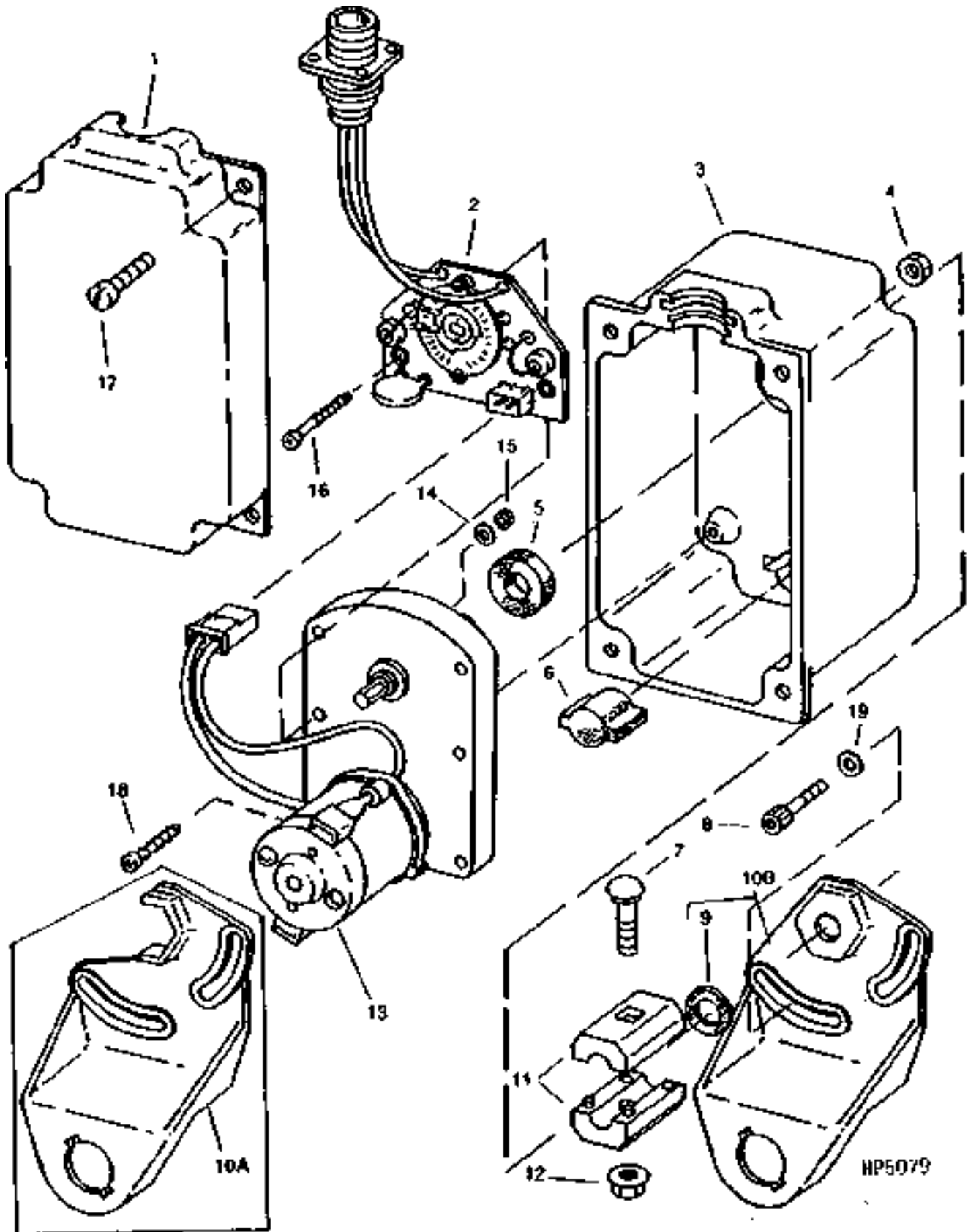
## STUBBLE HEIGHT SENSOR (EXPORT ONLY)

HP9344 -UN-24NOV99



KEY	PART NO.	PART NAME	QTY	SERIAL NO.	REMARKS
1	AH137487	WIRING HARNESS	1		
2	AH89557	CLIP	1		
3	H140913	ARM	1		
4	22M7115	SET SCREW	1		M3 X 4
5	H140914	LEAF SPRING	1		
6	H140912	ANGLE	1		
7	AZ35028	SENDER	1		
8	21M7252	SCREW	3		M4 X 16
	14M7139	NUT	3		M4, (SUB FOR (3) 14M7100)
	24M7027	WASHER	3	660556-	5.300 X 10 X 1 MM
	12M7045	LOCK WASHER	3		4.300 MM
9	H144336	PLATE	1		

REEL SPEED MOTOR AND BRACKET  
HP5079 -UN-01JAN94





# 2F3

ELECTRICAL

## REEL SPEED MOTOR AND BRACKET - CONTINUED

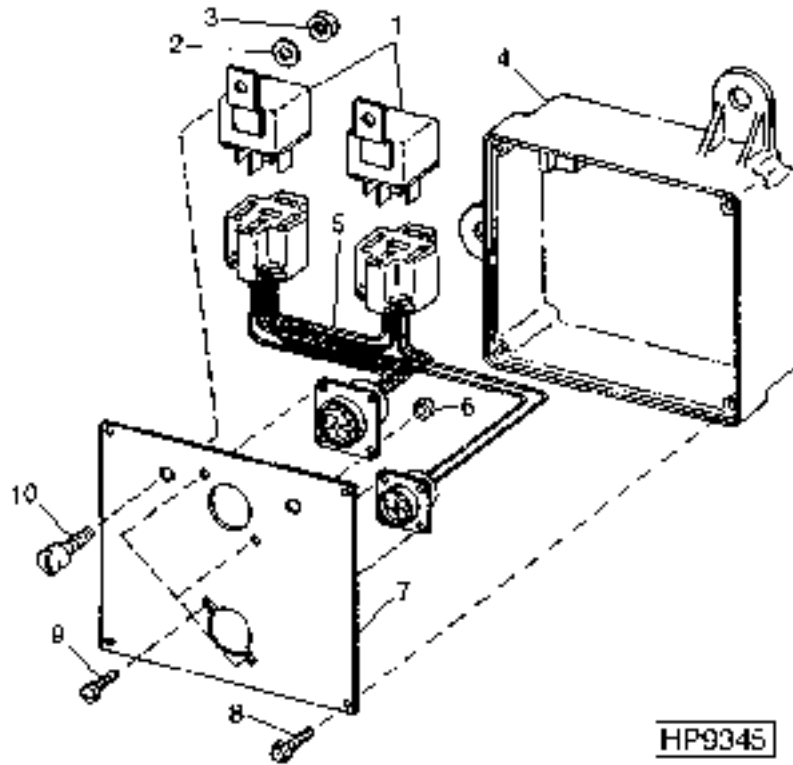
KEY	PART NO.	PART NAME	QTY	SERIAL NO.	REMARKS
1	H133852	BOX	1		
2	AH139987	PRINTED CIRCUIT	1		(SUB FOR AH128849)
3	H133851	BOX	1		
4	14M7139	NUT	4		M4, (SUB FOR (4) 14M7100)
5	M121T	WASHER	1		
6	H133981	SEAL	1		
7	03M7290	BOLT	1		M6 X 30
8	19H2925	SCREW	2		1/4" X 1/2"
9	H146950	WASHER	1	645330-	9.500 X 19 X 1.600 MM
10A	H128469	BRACKET	1	-645327	
10B	AH141813	KIT	1	645328-	
11	H114020	HALF CLAMP	2		
12	14M7397	LOCK NUT	1		M6
13	AH128865	MOTOR	1		
14	12H314	LOCK WASHER	2		0.138"
15	14H1026	NUT	2		0.138"
16	21H1184	SCREW	2		0.138" X 1-1/8"
17	21M7250	SCREW	4		M4 X 12
18	H144032	SCREW	4		
19	24M7027	WASHER	2		5.300 X 10 X 1 MM

# 2F4

ELECTRICAL

## REEL SPEED CONTROL AND RELAYS (EXPORT ONLY)

HP9345 -UN-24NOV99



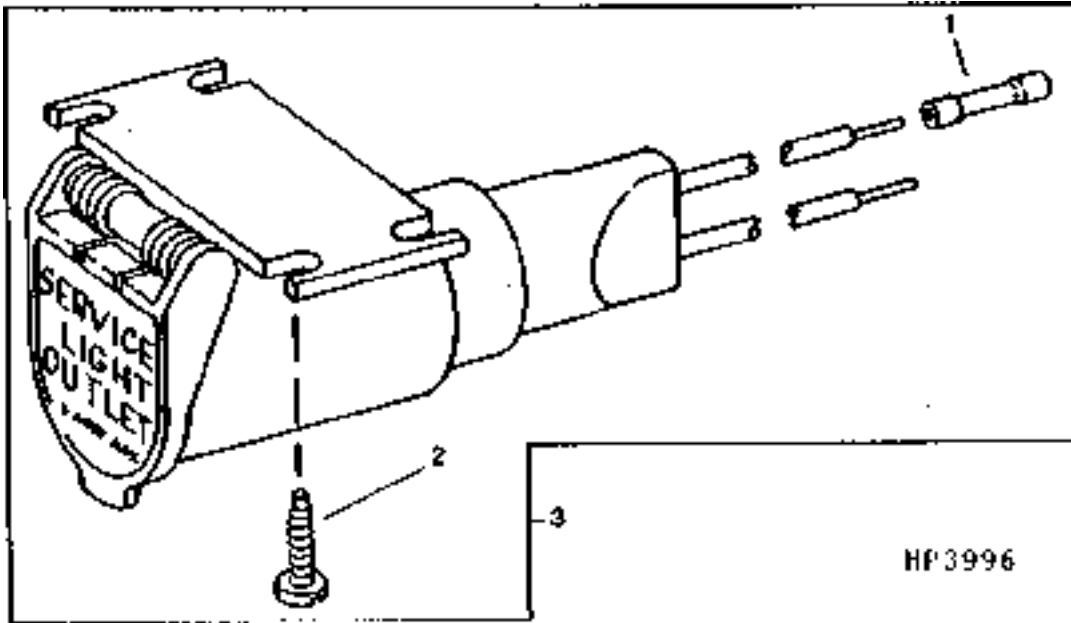
KEY	PART NO.	PART NAME	QTY	SERIAL NO.	REMARKS
1	AR91168	RELAY	2		
2	24M7027	WASHER	2	5.300 X 10 X 1 MM	
3	14M7297	NUT	2	M5	
4	H129212	CIRCUIT BOX	1		
5	AH134203	WIRING HARNESS	1		
6	14M7196	NUT	4	M3	
7	H139867	COVER	1		
8	H111364	SCREW	4		
9	21M7284	SCREW	4	M3 X 16	
10	21M7265	SCREW	2	M5 X 12	

# 2F5

ELECTRICAL

## ELECTRICAL SERVICE OUTLET

HP3996 -UN-01JAN94

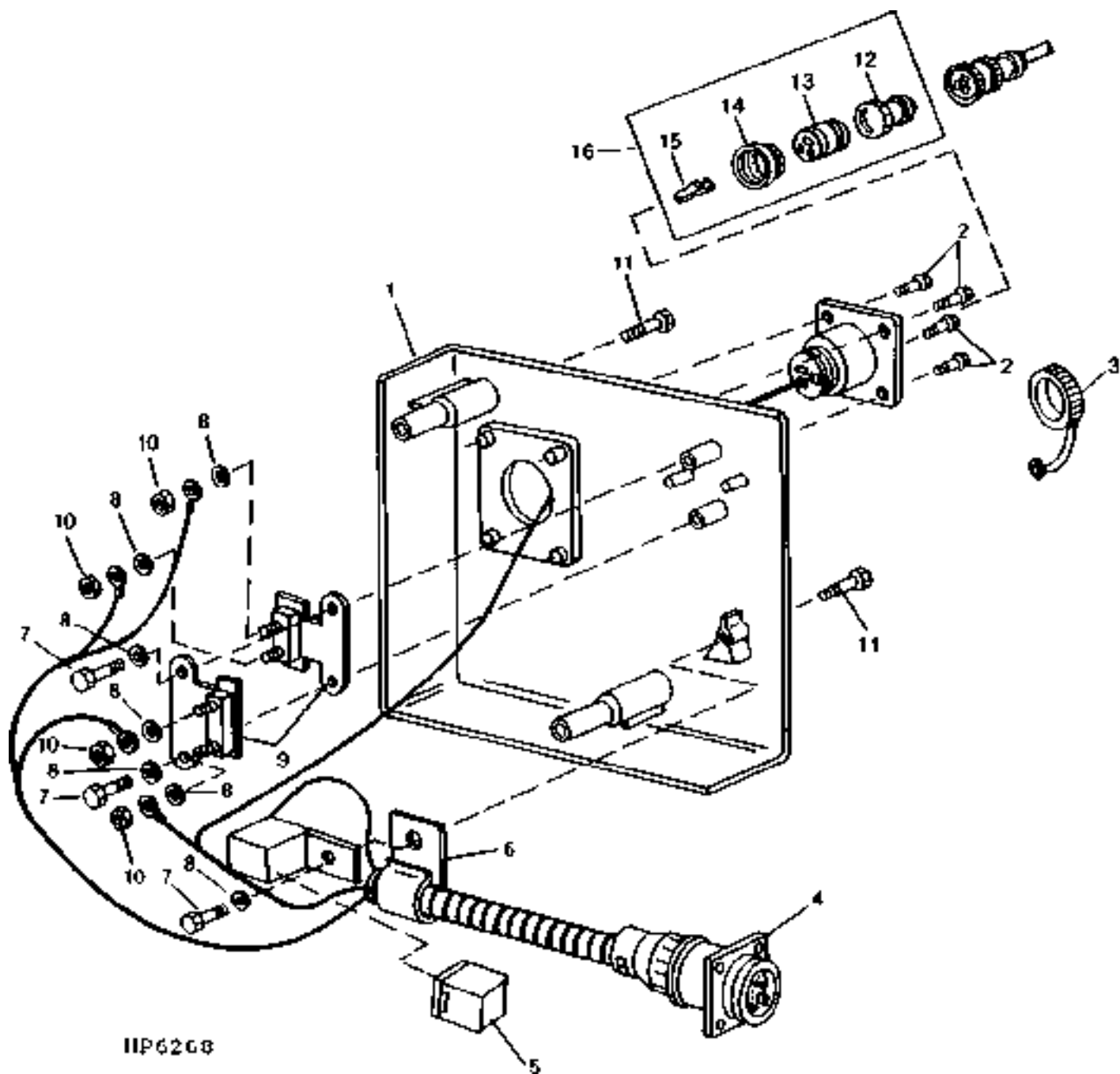


KEY	PART NO.	PART NAME	QTY	SERIAL NO.	REMARKS
1	R32027	CONNECTOR	2		
2	37M7060	SCREW	2	M4 X 10	
3	AH135821	SOCKET OUTLET	1		

# 2F6

ELECTRICAL

CONVENIENCE OUTLET  
(660401- )  
HP6208 -UN-20DEC95



HP6208

# 2F7

ELECTRICAL

**CONVENIENCE OUTLET - CONTINUED**  
(660401- )

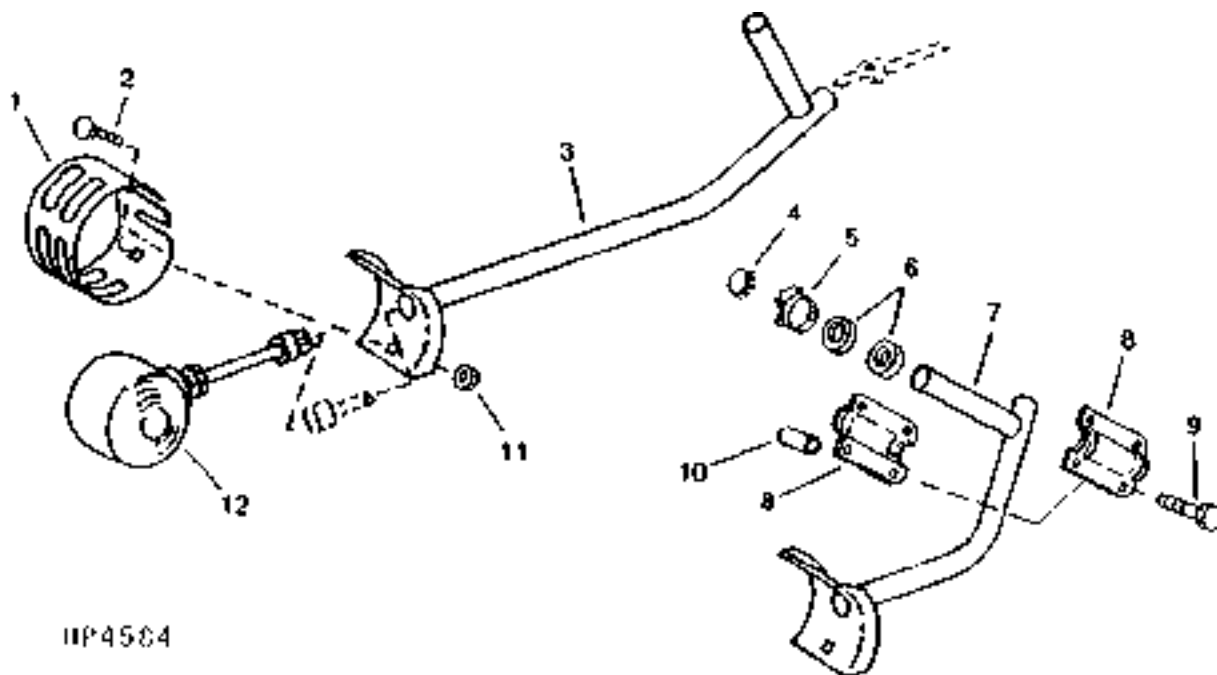
KEY	PART NO.	PART NAME	QTY	SERIAL NO.	REMARKS
1	H151579	BRACKET	1		
2	H111364	SCREW	4		
3	57M7391	INSULATING CAPSULE	1		
4	AH152020	WIRING HARNESS	1		(SUB FOR AH145277)
5	AH106612	RELAY	1		
6	AH89557	CLIP	1		
7	H123998	SCREW	3		
8	12H295	LOCK WASHER	7		4.826 MM (0.190")
9	AR49352	CIRCUIT BREAKER	2		30 AMP
10	14H778	NUT	4		4.826 MM (0.190")
11	H132451	CAP SCREW	2		M6 X 50
12	AE44931	CONNECTOR	1		
13	AE44929	CONNECTOR	1		
14	R77459	CONNECTOR	1		
15	RE11157	TERMINAL	2		
16	RE37651	PLUG	1		
..	<b>BH81255</b>	<b>COMPLETE GOODS/SHIP. BUNDLE</b>	<b>1</b>		<b>KIT CONVENIENCE OUTLET</b>

# 2F8

ELECTRICAL

## TRANSPORT WARNING LIGHTS

HP4584 -UN-01JAN94



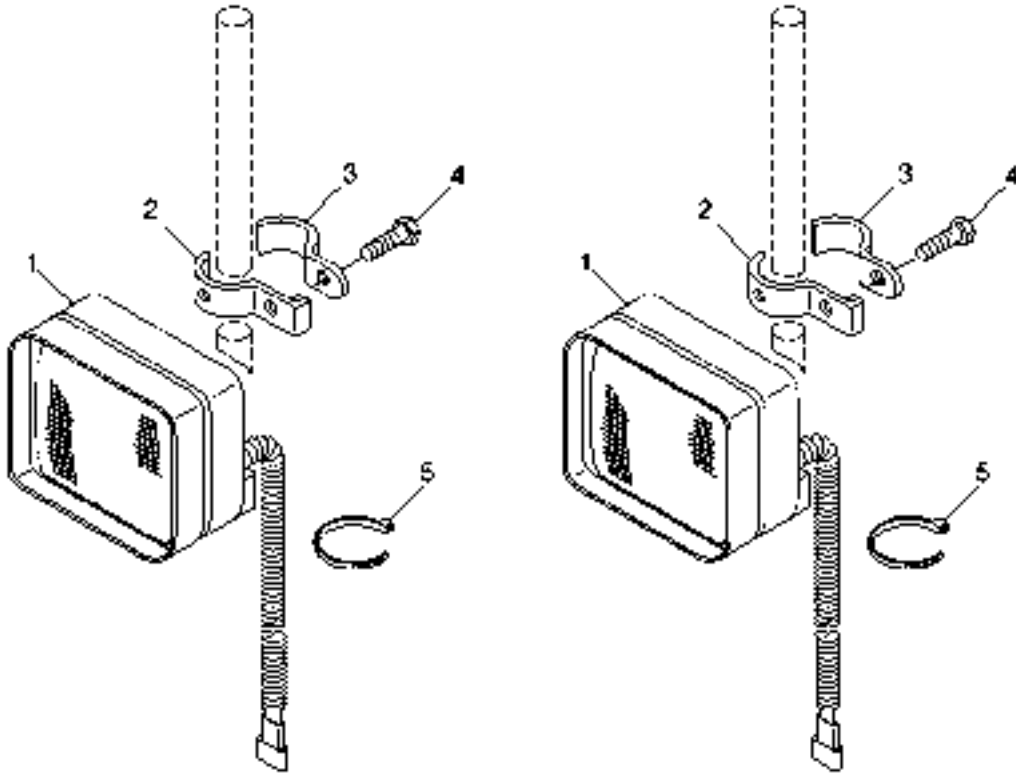
KEY	PART NO.	PART NAME	QTY	SERIAL NO.	REMARKS
1	H143317	SHIELD	1		
2	03M7183	BOLT	4	M8 X 16	
3	AH136496	TUBE	2		
4	H106000	PLUG	2		
5	AT18904	CLAMP	2		
6	H136110	ISOLATOR	2		
7	AH136494	TUBE	2		
8	H161289	CLAMP	4		
9	19M7863	SCREW	4	-665400	M6 X 25, FOR L.H. SIDE
	19M8321	SCREW	4	-665400	M6 X 45, FOR R.H. SIDE
	19M7863	SCREW	8		M6 X 25
10	28H1914	BUSHING	4		
11	14M7298	FLANGE NUT	4	M8	
12	AH133316	LAMP	2		(SUB AH164497)
	AH164497	LAMP	2		
..	<b>BH80677</b>	<b>COMPLETE GOODS/SHIP. BUNDLE</b>	<b>1</b>		<b>ATT ID-ASAE LIGHT, RETRO LONG ARM</b>
..	<b>BH80678</b>	<b>COMPLETE GOODS/SHIP. BUNDLE</b>	<b>1</b>		<b>ATT ID-ASAE LIGHT, RETRO SHORT ARM</b>
..	<b>BH81564</b>	<b>COMPLETE GOODS/SHIP. BUNDLE</b>	<b>1</b>		<b>MARKER LIGHTS-LAMP &amp; SHIELDS, LONG</b>
..	<b>BH81565</b>	<b>COMPLETE GOODS/SHIP. BUNDLE</b>	<b>1</b>		<b>MARKER LIGHTS-LAMP &amp; SHIELD, SHORT</b>

# 2F9

ELECTRICAL

**FIELD LIGHTS**

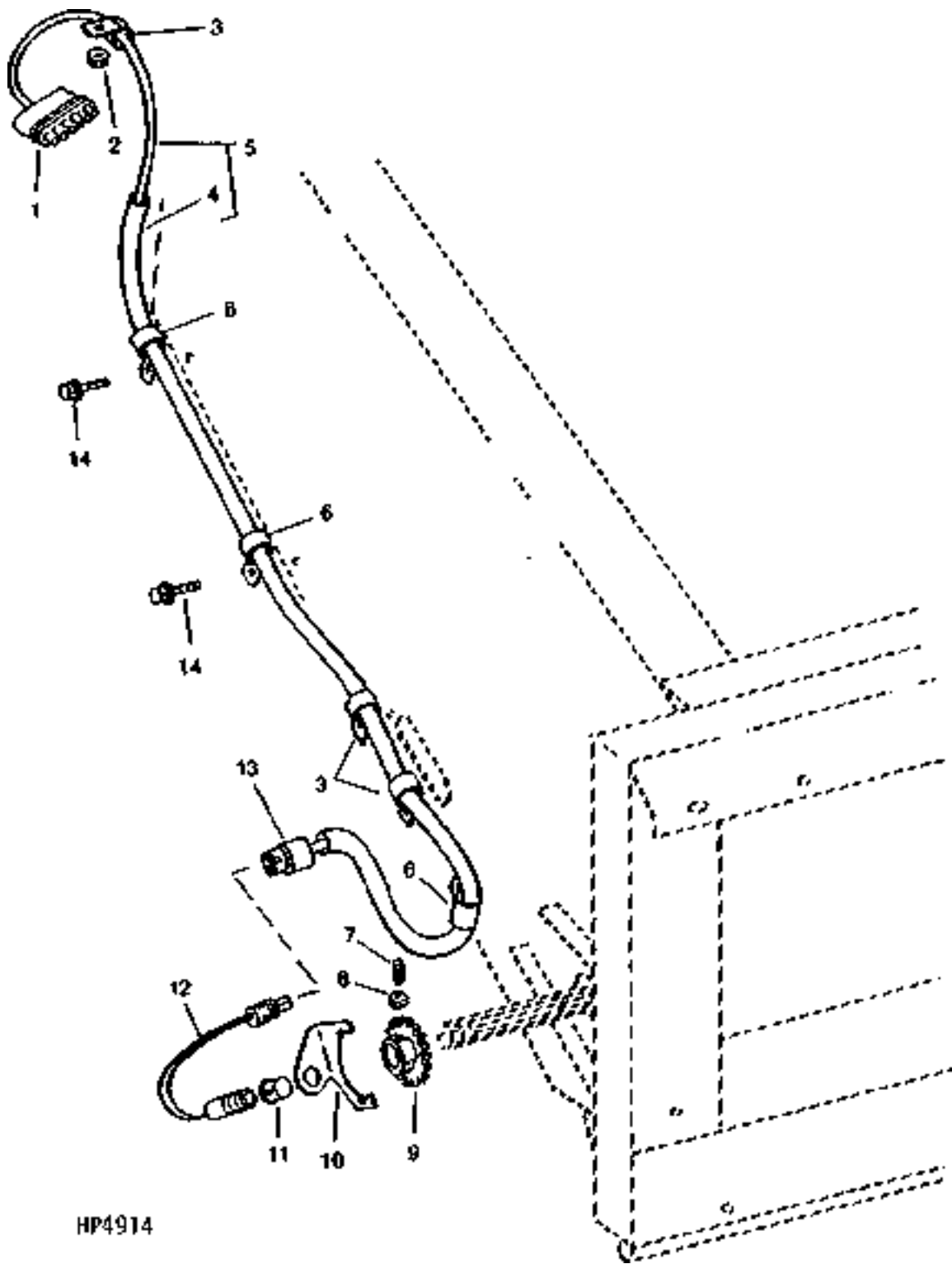
(660401- )  
 HP9348 -UN-22NOV99



**HP9348**

KEY	PART NO.	PART NAME	QTY	SERIAL NO.	REMARKS
1	AH145563	FLOODLAMP	2		(INCLUDES AT130104, T80393 AND (4) T80394)
2	H83790	CLAMP	2		
3	H83791	CLAMP	2		
4	19M7867	SCREW	2	M8 X 25	
5	R44302	TIE BAND	2		

**FEEDER HOUSE BACKSHAFT SPEED SENSOR**  
HP4914 -UN-01JAN94



HP4914



# 2F11

ELECTRICAL

**FEEDER HOUSE BACKSHAFT SPEED SENSOR - CONTINUED**

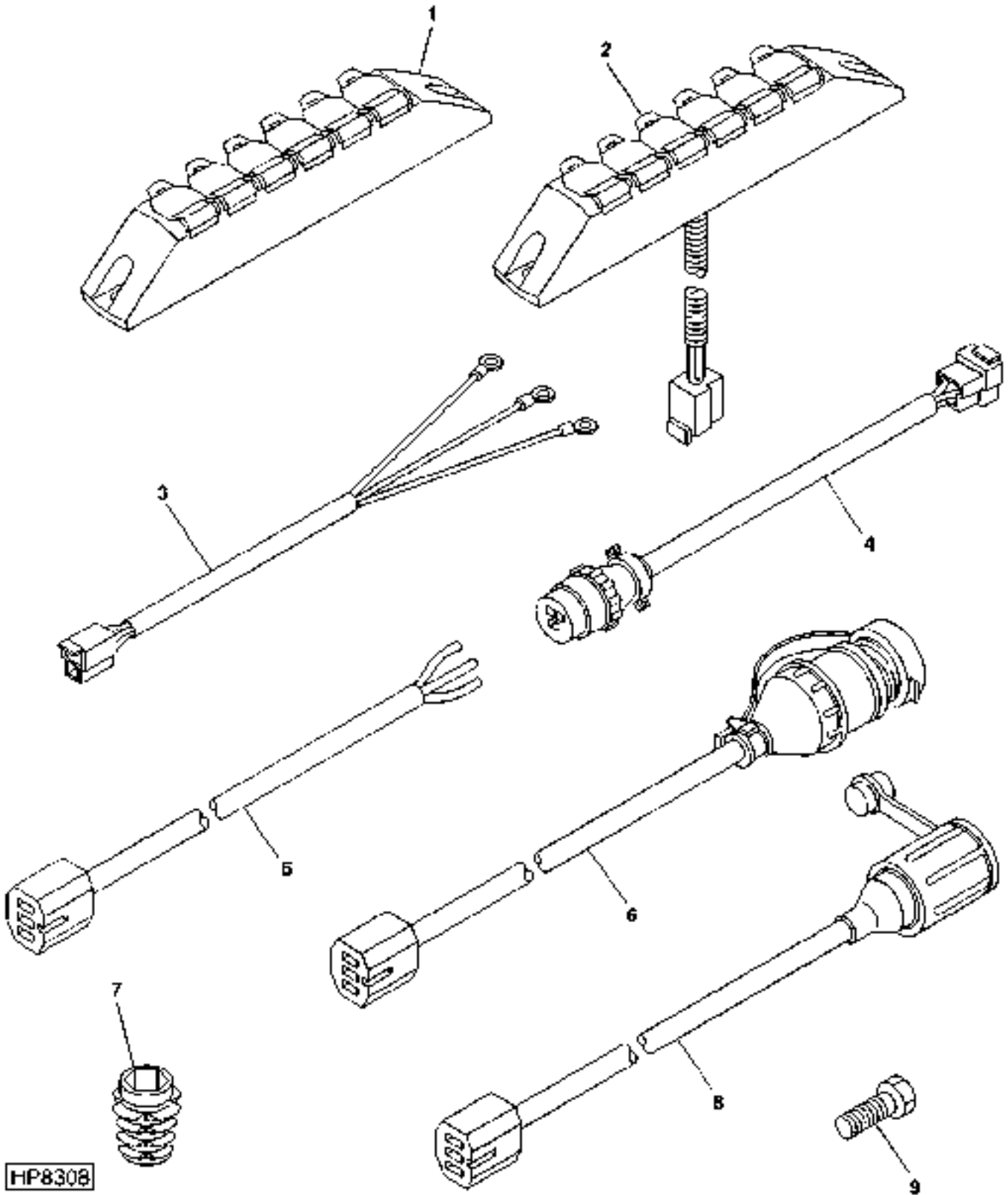
KEY	PART NO.	PART NAME	QTY	SERIAL NO.	REMARKS
1	RE12366	CONNECTOR	1	(PKG OF 2)	
	R78051	SEAL	1	(PKG OF 5)	
	R78060	SOCKET CONTACT	1	(PKG OF 40)	
2	14M7299	FLANGE NUT	1	M12	
3	AH77279	CLIP	3		
4	H132800	HOSE	1		
5	AH134288	WIRING HARNESS	1		
6	AH89557	CLIP	3		
7	A50743	BOLT	2		
8	14M7272	NUT	2	M6	
9	H135772	WHEEL	1		
	H170634	WHEEL	1		USE WITH AH153341 (GEARBOX) AND AH149349 (DRIVE SPROCKET)
10	H135773	BRACKET	1		
11	H121110	CLIP	1		
12	AH116104	SENSOR	1		BACKSHAFT SPEED
13	R78053	PIN CONTACT CONNECTOR BODY	1	(PKG OF 3)	
	R78063	TERMINAL NIPPLE	1	(PKG OF 40)	
14	37M7083	SCREW	2	M8 X 12	

# 2F12

ELECTRICAL

## KIT-CONVENIENCE OUTLET

(670401- )  
HP8308 -UN-10MAR99



# 2F13

ELECTRICAL

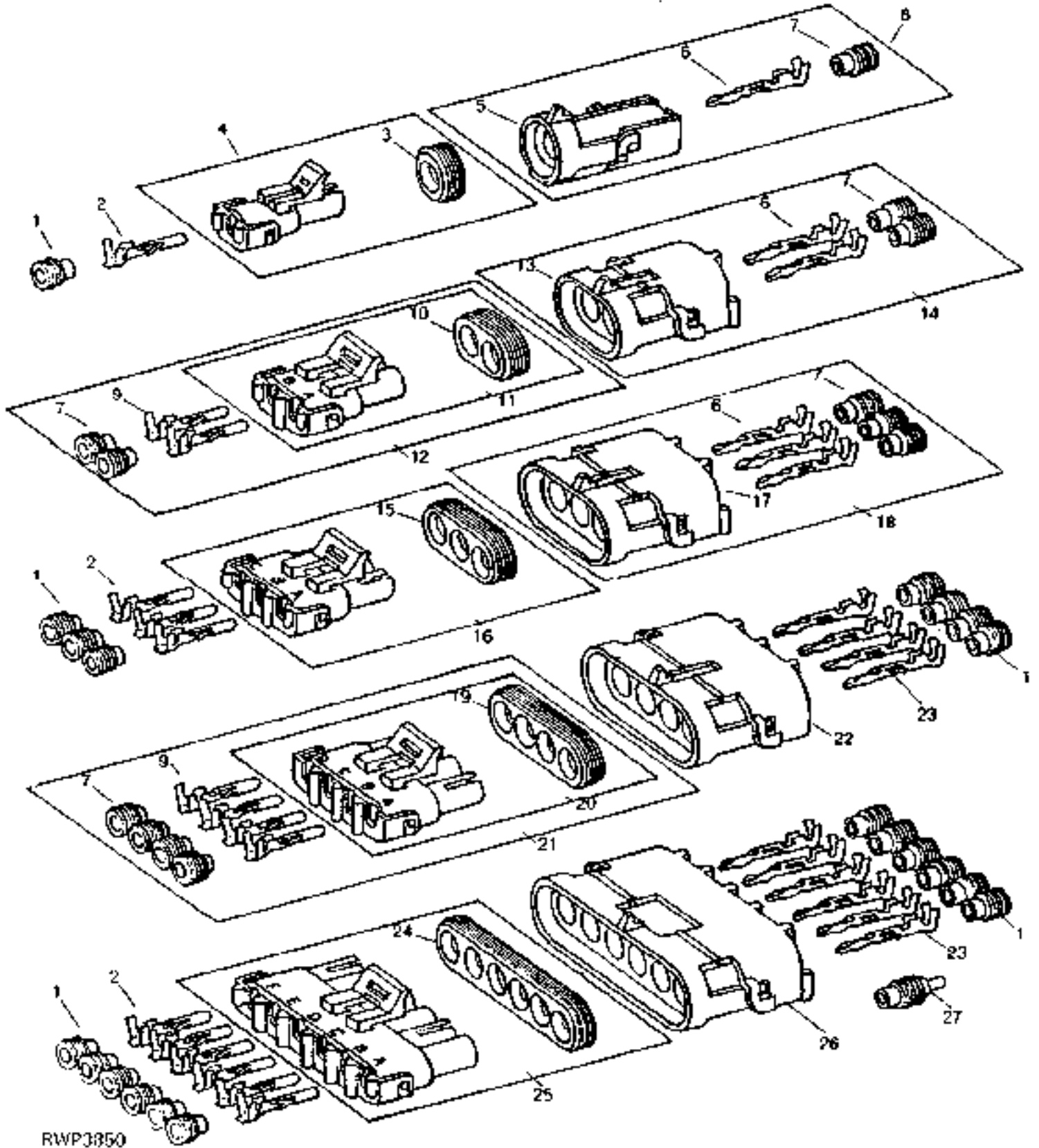
## CONVENIENCE OUTLET - CONTINUED

KEY	PART NO.	PART NAME	QTY	SERIAL NO.	REMARKS
1	RE68495	STRIP	1		
2	AH152668	TERMINAL	1		
3	AH153311	WIRING HARNESS	1		
4	AH153133	WIRING HARNESS	1		
5	RE67013	ELECTRICAL PLUG	1		
6	RE67015	ADAPTER	1		
7	H159806	INSERT	1		
8	RE67014	ADAPTER	1		
9	37M7160	SCREW	2	M6 X 16	
..	<b>BH81255</b>	<b>COMPLETE GOODS/SHIP. BUNDLE</b>	<b>1</b>		<b>CONVENIENCE OUTLET KIT</b>

# 2F14

ELECTRICAL

WEATHERPACK TERMINALS AND CONNECTORS  
RWP3850 -UN-01JAN94



RWP3850

# 2F15

ELECTRICAL

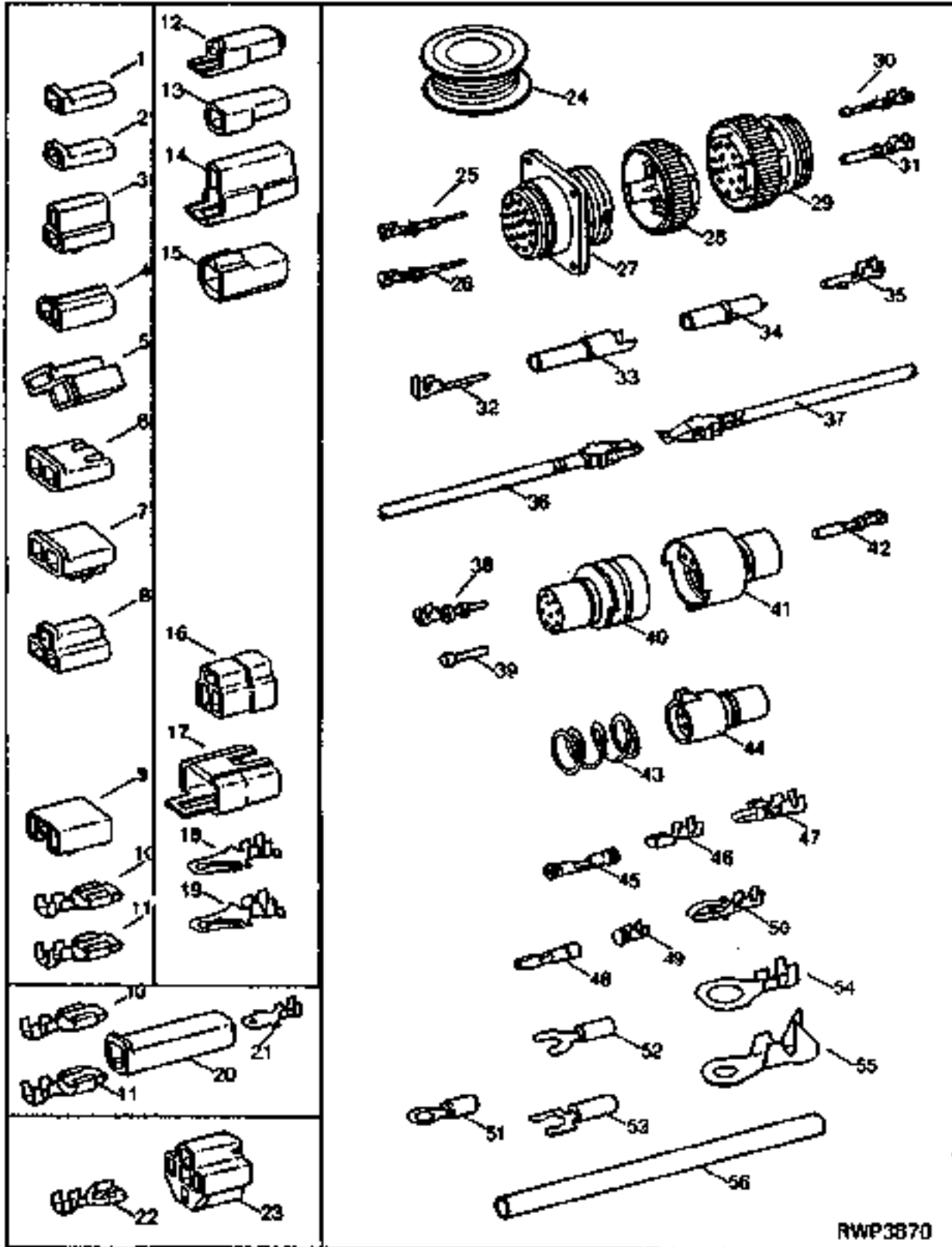
## WEATHERPACK TERMINALS AND CONNECTORS - CONTINUED

KEY	PART NO.	PART NAME	QTY	SERIAL NO.	REMARKS
1	R78063	TERMINAL NIPPLE	1	(PKG. OF 40)	(16 GA. WIRE) (GRAY)
	R78059	ELECTRICAL PLUG	1	(PKG. OF 40)	(18 OR 20 GA. WIRE) (GREEN)
	R78062	TERMINAL NIPPLE	1	(PKG. OF 40)	(14 GA. WIRE) (BLUE)
2	R78057	SOCKET CONTACT	1	(PKG. OF 40)	(18 OR 20 GA. WIRE) (NO. 19)
	R78060	SOCKET CONTACT	1	(PKG. OF 40)	(14 OR 16 GA. WIRE) (NO. 15)
3	R78047	SEAL	1	(PKG. OF 5)	
4	RE12362	CONNECTOR	1	(PKG. OF 3)	
5	R78052	PIN CONTACT CONNECTOR BODY	1	(PKG. OF 3)	
6	R78061	PIN CONTACT	1	(PKG. OF 40)	(14 OR 16 GA. WIRE) (NO. 15)
7	R78063	TERMINAL NIPPLE	1	(PKG. OF 40)	(16 GA. WIRE) (GRAY)
8	RE12334	CONNECTOR	1		
9	R78060	SOCKET CONTACT	1	(PKG. OF 40)	(14 OR 16 GA. WIRE) (NO. 15)
10	R78048	TERMINAL NIPPLE	1	(PKG. OF 5)	
11	RE12363	CONNECTOR	1	(PKG. OF 3)	
12	RE12331	CONNECTOR	1		
13	R78053	PIN CONTACT CONNECTOR BODY	1	(PKG. OF 3)	
14	RE12330	CONNECTOR	1		
15	R78049	SEAL	1	(PKG. OF 5)	
16	RE12364	SOCKET CONT.CONNECTOR BODY	1	(PKG. OF 3)	
17	R78054	PIN CONTACT CONNECTOR BODY	1	(PKG. OF 3)	
18	RE12332	CONNECTOR	1		
19	R78050	SEAL	1	(PKG. OF 5)	
20	RE12365	CONNECTOR	1	(PKG. OF 2)	
21	RE12333	CONNECTOR	1		
22	R78055	PIN CONTACT CONNECTOR BODY	1	(PKG. OF 2)	
23	R78061	PIN CONTACT	1	(PKG. OF 40)	(14 OR 16 GA. WIRE) (NO. 15)
	R78058	PIN CONTACT	1	(PKG. OF 40)	(18 OR 20 GA. WIRE) (NO. 19)
24	R78051	SEAL	1	(PKG. OF 5)	
25	RE12366	CONNECTOR	1	(PKG. OF 2)	
26	R78056	PIN CONTACT CONNECTOR BODY	1	(PKG. OF 2)	
27	R78064	ELECTRICAL PLUG	1	(PKG. OF 40)	

# 2F16

ELECTRICAL

ELECTRICAL CONNECTOR SERVICE KIT  
RWP3870 -UN-01JAN94



# 2F17

ELECTRICAL

## ELECTRICAL CONNECTOR SERVICE KIT - CONTINUED

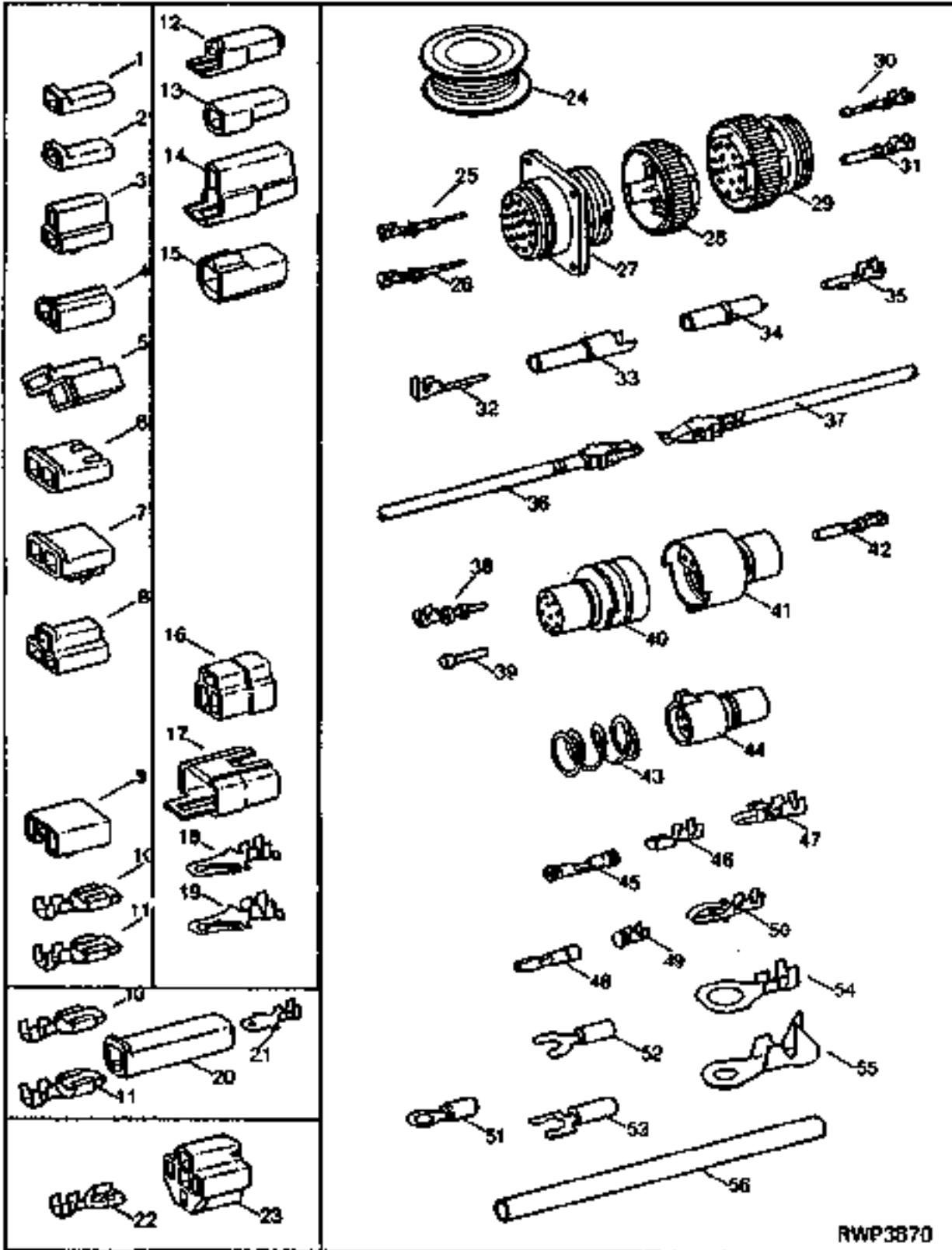
KEY	PART NO.	PART NAME	QTY	SERIAL NO.	REMARKS
1	T28583	RECEPTACLE CONNECTOR BODY	1	(B)	
2	M43835	FLAT CONNECTOR	1	(B)	
3	R77476	CONNECTOR	1	(A)	
4	R77477	RECEPTACLE CONNECTOR BODY	1	(A)	
5	R77479	CONNECTOR	1	(A)	
6	R77480	RECEPTACLE CONNECTOR BODY	1	(A)	
7	R77481	CONNECTOR	1	(A)	
8	R77482	CONNECTOR	1		
9	H104855	RECEPTACLE CONNECTOR BODY	1		
10	U46662	TERMINAL	1	(E) (F)	
11	R65595	TERMINAL	1	(G) (SUB FOR N115096) (PKG. OF 15)	
12	T28585	TAB CONNECTOR BODY	1	(B)	
13	R77475	CONNECTOR	1	(B)	
14	T28586	CONNECTOR	1	(A)	
15	R77478	CONNECTOR	1	(A)	
16	R77483	CONNECTOR	1		
17	R48887	TAB CONNECTOR BODY	1		
18	T34067	TERMINAL	1	(E) (F)	
19	R77484	TERMINAL	1	(G) (PKG. OF 15)	
20	U46370	CONNECTOR	1	(B)	
21	R77485	TAB	1	(C) (F)	
22	R77486	TERMINAL	1	(E)	
23	R77487	CONNECTOR	1	(B)	
24	R66321	WIRING LEAD	1	15M (50 FT.) 10 GA.	
	R66320	WIRING LEAD	1	30.5M (100 FT.) 12 GA.	
	R77501	WIRE	1	30.5M (100 FT.) 14 GA.	
	R77500	WIRE	1	30.5M (100 FT.) 16 GA.	
	TY16086	WIRE	1	30.5M (100 FT.) 18 GA. (SUB FOR R77499)	
	R77498	WIRE	1	30.5M (100 FT.) 20 GA.	
25	R77462	PIN CONTACT	1	(PKG. OF 40) 20-22 OR 24 GA. WIRE	
26	R77464	PIN CONTACT	1	(H) (PKG. OF 50)	
27	R77456	RECEPTACLE	1	(37 WAY)	
28	R77458	CONNECTOR	1	(A) SIZE 23	
	R77459	CONNECTOR	1	(A) SIZE 17	
	R77460	CONNECTOR	1	(A) SIZE 13	
	R77461	CONNECTOR	1	(A) SIZE 11	
29	R77457	ELECTRICAL PLUG	1	37 WAY	
30	R77463	SOCKET CONTACT	1	(PKG. OF 40) 20-22 OR 24 GA. WIRE	
31	R77465	SOCKET CONTACT	1	(H) (PKG. OF 50)	
32	R77468	TERMINAL	1	(PKG. OF 5) 18 GA.	
33	R77466	CONNECTOR	1	(A)	
34	R77467	CONNECTOR	1	(A)	

- (A) PKG. OF 2
- (B) PKG. OF 3
- (C) PKG. OF 10
- (D) PKG. OF 20
- (E) PKG. OF 25
- (F) 14 OR 16 GA. WIRE
- (G) 10 OR 12 GA. WIRE
- (H) 14-16 OR 18 GA. WIRE

# 2F18

ELECTRICAL

ELECTRICAL CONNECTOR SERVICE KIT  
RWP3870 -UN-01JAN94





**ELECTRICAL CONNECTOR SERVICE KIT - CONTINUED**

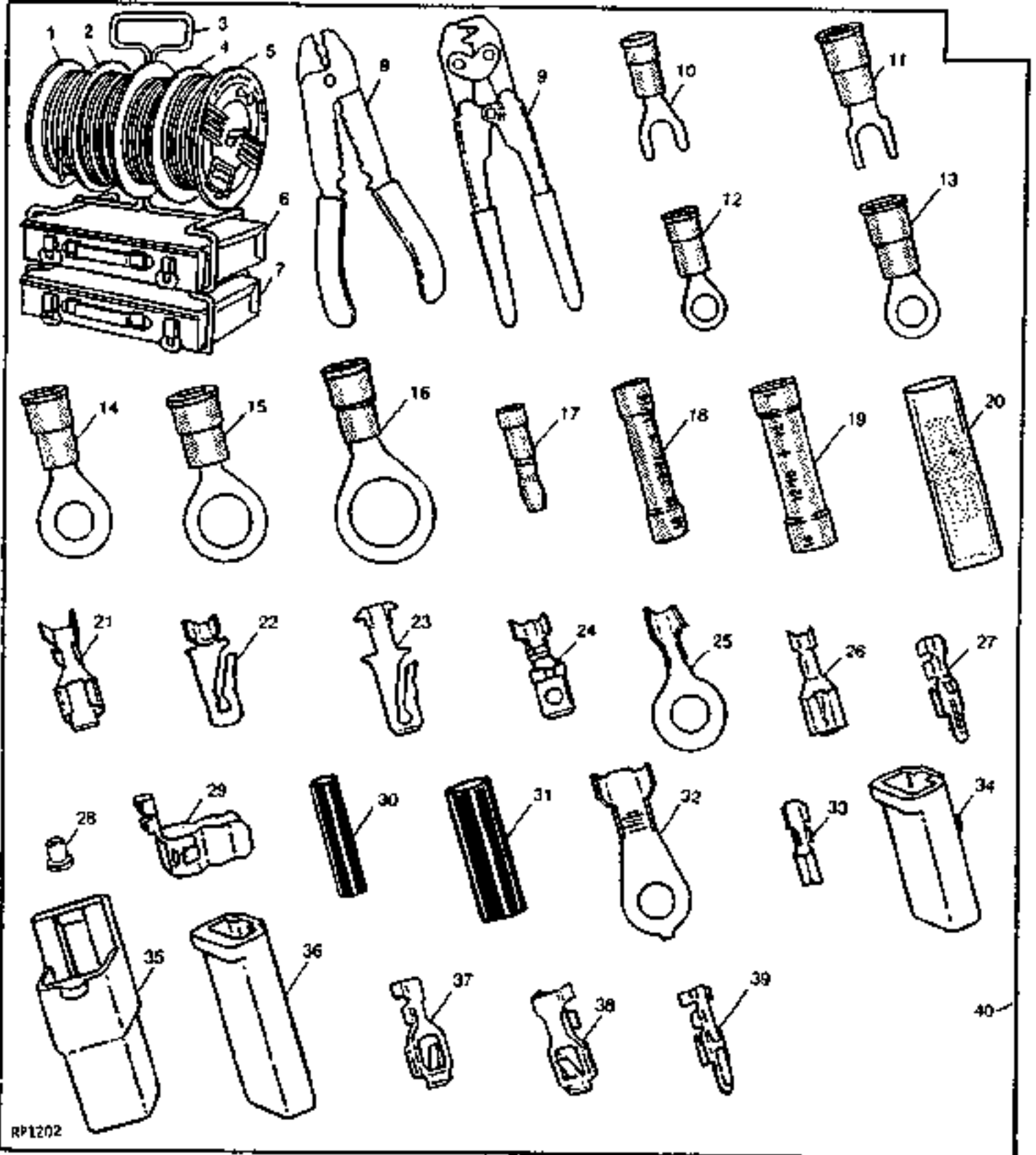
KEY	PART NO.	PART NAME	QTY	SERIAL NO.	REMARKS
35	R77469	TERMINAL	1	(PKG. OF 5) 18 GA.	
36	RE11156	TERMINAL	1	(B) MALE	
37	RE11157	TERMINAL	1	(B) FEMALE	
38	R70222	PIN CONTACT	1	(D) (H)	
39	R70221	ELECTRICAL PLUG	1	(E)	
40	R70219	PLUG	1	(PKG. OF (2) R70218 AND (2) R70219) 10 WAY	
	R70217	PLUG	1	(PKG. OF (2) R70216 AND (2) R70217) 7 WAY	
	R70215	PLUG	1	(PKG. OF (2) R70214 AND (2) R70215) 4 WAY	
	R70213	PIN CONTACT CONNECTOR BODY	1	(PKG. OF (2) R70212 AND (2) R70213) 3 WAY	
	R70211	CONNECTOR	1	(PKG. OF (2) R70210 AND (2) R70211) 2 WAY	
41	R70218	RECEPTACLE	1	ORDER R70219 WHICH CONTAINS (2) R70218 AND (2) R70219	
	R70216	RECEPTACLE	1	ORDER R70217 WHICH CONTAINS (2) R70216 AND (2) R70217	
	R70214	RECEPTACLE	1	ORDER R70215 WHICH CONTAINS (2) R70214 AND (2) R70215	
	R70212	RECEPTACLE	1	ORDER R70213 WHICH CONTAINS (2) R70212 AND (2) R70213	
	R70210	RECEPTACLE	1	(ORDER R70211) ORDER R70211 WHICH CONTAINS (2) R70210 AND (2) R70211	
42	AR91793	SOCKET CONTACT	1	(D)	
43	R30378	SPRING	1	(C)	
44	R77474	CONNECTOR	1	(A) 6 WAY	
45	R77470	TERMINAL	1	SPLICE (PKG. OF 15) 16-18-20 OR 22 GA. WIRE	
	R77471	TERMINAL	1	(C) (G) SPLICE	
	R77472	TERMINAL	1	(A) SPLICE (8 GA. WIRE)	
	R77473	TERMINAL	1	(A) SPLICE (6 GA. WIRE)	
46	R65607	TERMINAL	1	(C) (18 OR 20 GA. WIRE)	
47	U46664	TERMINAL	1	(C) (F)	
48	R32026	TERMINAL	1	(D) (F)	
49	R65602	SOCKET CONTACT	1	(C) 16 OR 18 GA. WIRE	
50	R70220	TERMINAL	1	(C) 18 OR 20 GA. WIRE	
51	R77489	TERMINAL	1	(D) 14-16-18 OR 20 GA. WIRE; NO. 10 EYELET	
	R77493	TERMINAL	1	(D) (G) NO. 10 EYELET	
	R77488	TERMINAL	1	(D) 14-16-18 OR 20 GA. WIRE; 3/8" EYELET	
	R77490	TERMINAL	1	(D) (G) (1/2" EYELET)	
52	R77496	TERMINAL	1	(D) (F) NO. 8 SPADE	
	R77495	TERMINAL	1	(D) 18 GA. WIRE; NO. 10 SPADE	
53	R77497	TERMINAL	1	(D) (F) NO. 6 SPADE	
54	R77491	TERMINAL	1	(D) (G) 3/8" EYELET	
	R77492	TERMINAL	1	(D) (G) 1/4" EYELET	
55	R77494	TERMINAL	1	(D) 6 OR 8 GA. WIRE; 1/4" EYELET	
56	R77502	TUBE	1	(PKG. OF 8) 3/8", HEAT SHRINK	
	R77503	TUBE	1	(PKG. OF 8) 3/16", HEAT SHRINK	
57	PM797NA	KIT	1	(SUB FOR RE11154)	

- (A) PKG. OF 2
- (B) PKG. OF 3
- (C) PKG. OF 10
- (D) PKG. OF 20
- (E) PKG. OF 25
- (F) 14 OR 16 GA. WIRE
- (G) 10 OR 12 GA. WIRE
- (H) 14-16 OR 18 GA. WIRE

# 2F20

ELECTRICAL

TERMINAL AND WIRING KIT  
RP1202 -UN-12SEP95



RP1202

# 2F21

ELECTRICAL

## TERMINAL AND WIRING KIT - CONTINUED

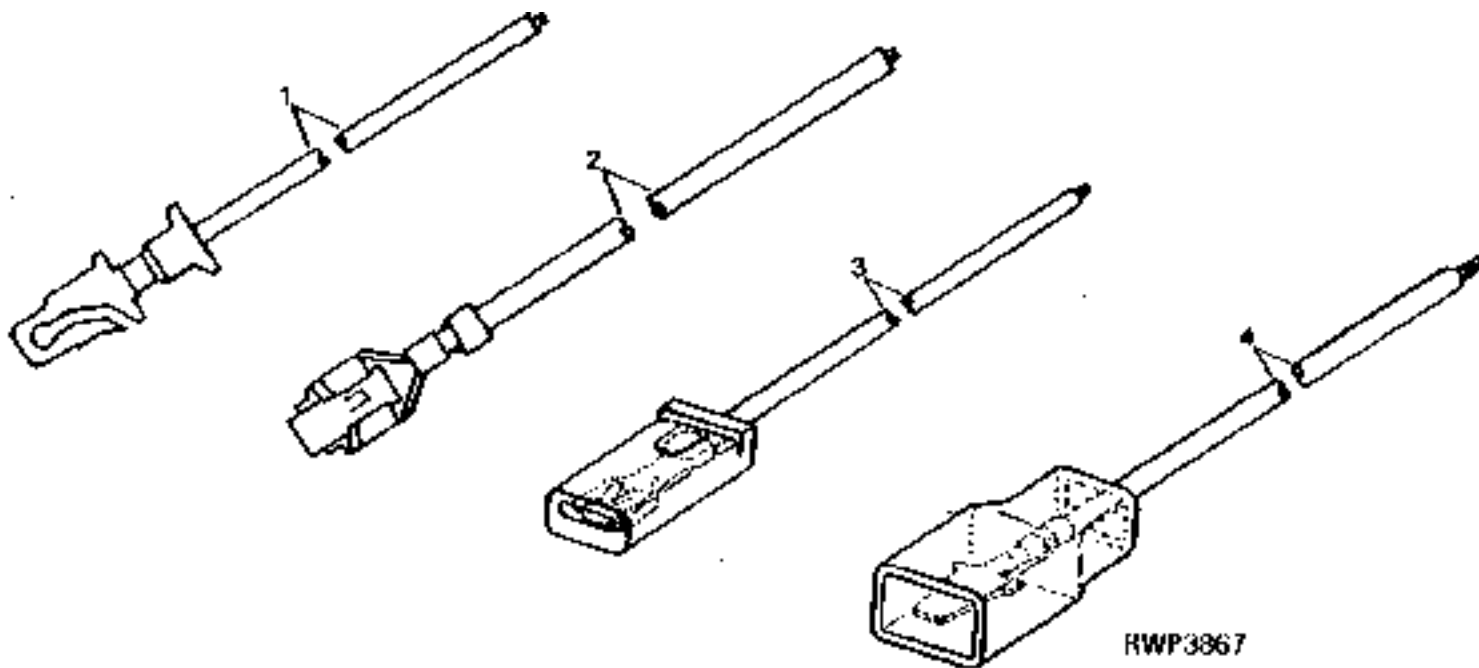
KEY	PART NO.	PART NAME	QTY	SERIAL NO.	REMARKS
1	R66319	WIRING LEAD	1		PRIMARY, 14 GA., 30,480 MM (100') (1 SPOOL)
2	R65593	WIRING LEAD	1		PRIMARY, 16 GA., 30,480 MM (100') (1 SPOOL)
3	R65608	RACK	1		
4	R66321	WIRING LEAD	1		PRIMARY, 10 GA., 15,240 MM (50') (1 SPOOL)
5	R66320	WIRING LEAD	1		PRIMARY, 12 GA., 30,480 MM (100') (1 SPOOL)
6	R65609	CONTAINER	1		32 COMPARTMENT
7	R65610	CONTAINER	1		11 COMPARTMENT
8	R32011	TOOL	1		WIRING, STRIPPING
9	R65594	TOOL	1		WIRING, CRIMPING
10	R32016	TERMINAL	1		PRIMARY, 14-16 GA., NO. 10 SPADE
11	R32017	TERMINAL	1		PRIMARY, 10-12 GA., NO. 10 SPADE
12	R32018	TERMINAL	1		PRIMARY, 14-16 GA., NO. 10 EYELET
13	R32019	TERMINAL	1		PRIMARY, 10-12 GA., NO. 10 EYELET
14	R32021	TERMINAL	1		PRIMARY, 10-12 GA., 1/4" EYELET
15	R32022	TERMINAL	1		PRIMARY, 10-12 GA., 3/8" EYELET
16	R32023	TERMINAL	1		PRIMARY, 10-12 GA., 1/2" EYELET
17	R32026	TERMINAL	1		MALE BULLET
18	R32027	CONNECTOR	1		SPLICE, 14-16 GA.
19	R32028	TERMINAL	1		SPLICE, 10-12 GA.
20	AL2976T	CONNECTOR	1		
21	R65595	TERMINAL	1		FEMALE, 10 GA.
22	R65596	TERMINAL	1		MALE, 10 GA., OR TWO 14 GA. CABLES
23	R65597	TERMINAL	1		MALE, 14-16 GA.
24	R65598	TERMINAL	1		MALE, SHORT, 14-16 GA.
25	R65599	TERMINAL	1		14-16 GA., 1/4" EYELET
26	R65600	TERMINAL	1		FEMALE, 14-16 GA.
27	R65601	TERMINAL	1		TWIN-LOCK, TWO 16 GA. CABLES
28	R65602	SOCKET CONTACT	1		BULB SOCKET, 16-18 GA.
29	R65603	TERMINAL NIPPLE	1		FUSE
30	R65604	INSULATING SLEEVE	1		14-18 GA.
31	R65605	INSULATING SLEEVE	1		8-12 GA.
32	R65606	TERMINAL	1		6-8 GA., 1/4" EYELET
33	R65607	TERMINAL	1		18-20 GA.
34	T28583	RECEPTACLE CONNECTOR BODY	1		ONE CONTACT LOCK-TYPE, MALE
35	T28585	TAB CONNECTOR BODY	1		ONE CONTACT LOCK-TYPE, FEMALE
36	U46370	CONNECTOR	1		ONE CONTACT SINGLE BODY, MALE
37	U46662	TERMINAL	1		CONNECTOR, ONE CONTACT SINGLE BODY, MALE
38	U46663	TERMINAL	1		MALE
39	U46664	TERMINAL	1		MALE
40	PM797NA	KIT	1		(SUB FOR RE11154)

# 2F22

ELECTRICAL

## SUPPLEMENTARY TERMINALS AND CONNECTORS

RWP3867 -UN-01JAN94

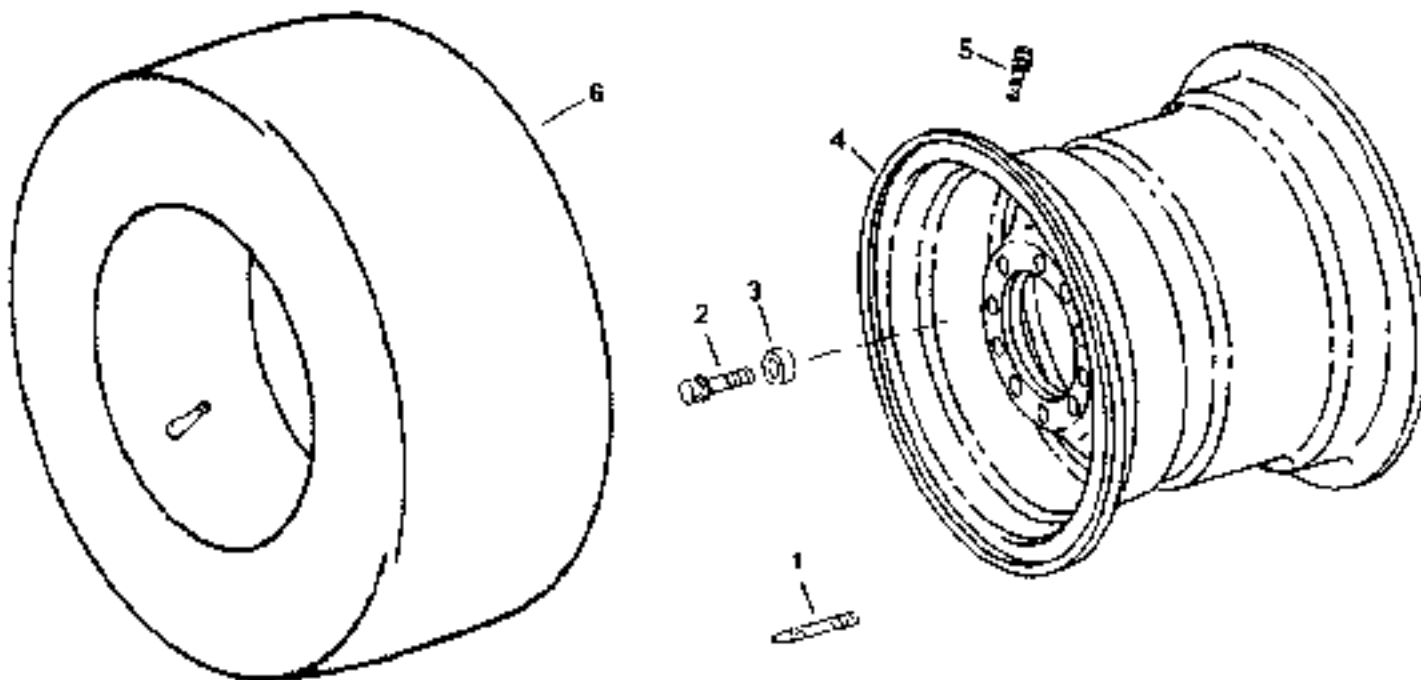


KEY	PART NO.	PART NAME	QTY	SERIAL NO.	REMARKS
1	AR65005	TERMINAL	1		
2	AR65006	TERMINAL	1		
3	R32024	WIRING LEAD	1		
4	R32025	WIRING LEAD	1		

# 2G5

**DRIVE WHEELS**

HP7586 -UN-27JUL98

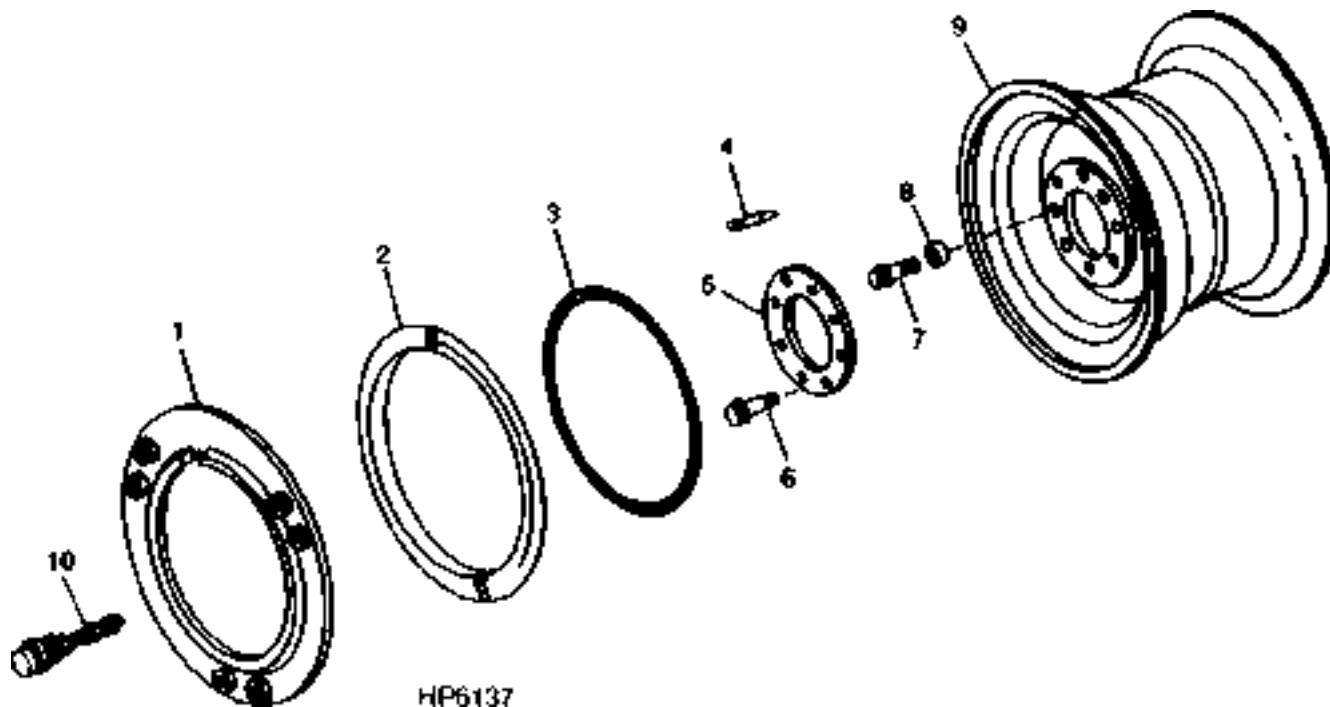


**HP7586**

KEY	PART NO.	PART NAME	QTY	SERIAL NO.	REMARKS
1	H138607	STUD	2		20 X 205MM (0.787" X 8.07") (USE FOR WHEEL MOUNTING ONLY)
2	H134600	CAP SCREW	20		M20 X 85
3	H134114	SPACER	20		
4	AH64610	WHEEL	2		16 X 26 (18.4 X 26 TIRES 6 PR-R1) (GRAIN)
	AH141302	WHEEL	2		(24.5 X 32 TIRES)
	AH147545	WHEEL	2		(SUB FOR AH145622) (68 X 50-32, 16 PLY TIRES)
	AH156626	WHEEL	2		(SUB FOR AH133844) (30.5 X 32" TIRE)(14 PLY MAX)
5	AT25226	TIRE VALVE STEM	2		(USE WITH TUBELESS TIRES)
6	H83135	TUBE	2	3NOV97-	30.5 X 32 (SERVICE ONLY FOR RUSSIA AND UKRAINE)
..	H134442	LABEL	2		"IMPORTANT" WHEEL BOLT TORQUE
..	H140709	LABEL	2		"IMPORTANT" 26 PSI (182 KPA) (30.5L X 32-12 PLY TIRES)
..	H116639	DECAL	2		"IMPORTANT" 32 PSI (225 KPA)(30.5L X 32-14PLY TIRES)
..	H108604	LABEL	2		"IMPORTANT" 20PSI (140KPA) 30.5L X 32-10 OR 35.5L X 32-12 TIRES
..	H116640	LABEL	2	655542-	"IMPORTANT" 32 PSI (225 KPA) (24.5 X 32-12 PLY) (GRAIN)

**HIGH FLOATATION DRIVE WHEELS  
PLANETARY FINAL DRIVE**

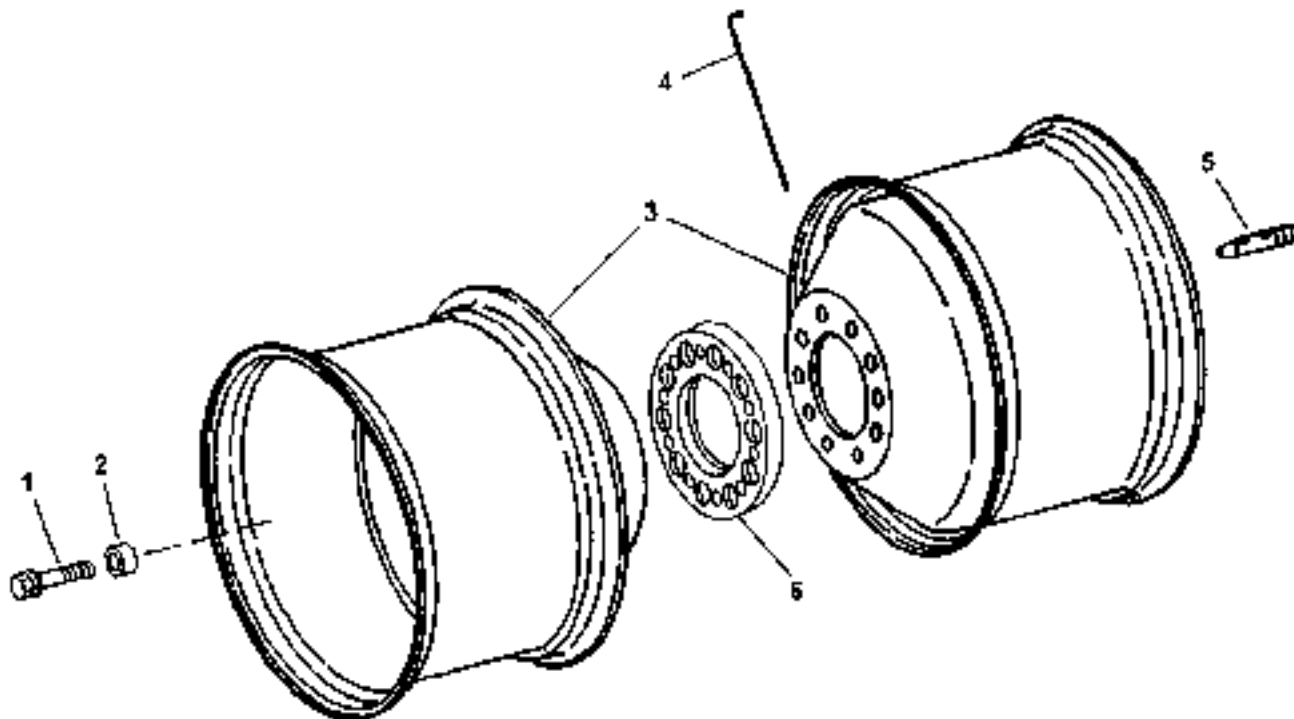
(660401- )  
HP6137 -UN-23AUG95



KEY	PART NO.	PART NAME	QTY	SERIAL NO.	REMARKS
1	AH147544	FLANGE	1		(SUB FOR AH145623)
2	H105822	RING	1		
3	H111500	O-RING	1		
4	H138607	STUD	1		
5	H89431	RING	1		
6	19H3343	CAP SCREW	8		15.875 X 50.800 MM (5/8" X 2")
7	H134600	CAP SCREW	10		M20 X 85
8	H134114	SPACER	10		21.500 X 50 X 28 MM (0.846" X 1.969" X 1.102")
9	AH147545	WHEEL	1		(SUB FOR AH145622) 68 X 50-32, 16 PLY HIGH FLOATAION TIRES
10	AT36212	TIRE VALVE STEM	1	660681-	
..	H150646	DECAL	2	660401-	68 X 50 - 32, 16 PLY TIRES
..	<b>BH80925</b>	<b>COMPLETE GOODS/SHIP. BUNDLE</b>	1		<b>REAR TIRE/WHEEL - 28L X 26 - 10 PLY R1</b>
..	<b>BH80924</b>	<b>COMPLETE GOODS/SHIP. BUNDLE</b>	1		<b>REAR TIRE/WHEEL - 28L X 26 - 12 PLY R2</b>

## WIDE-SPACED DUAL WHEELS

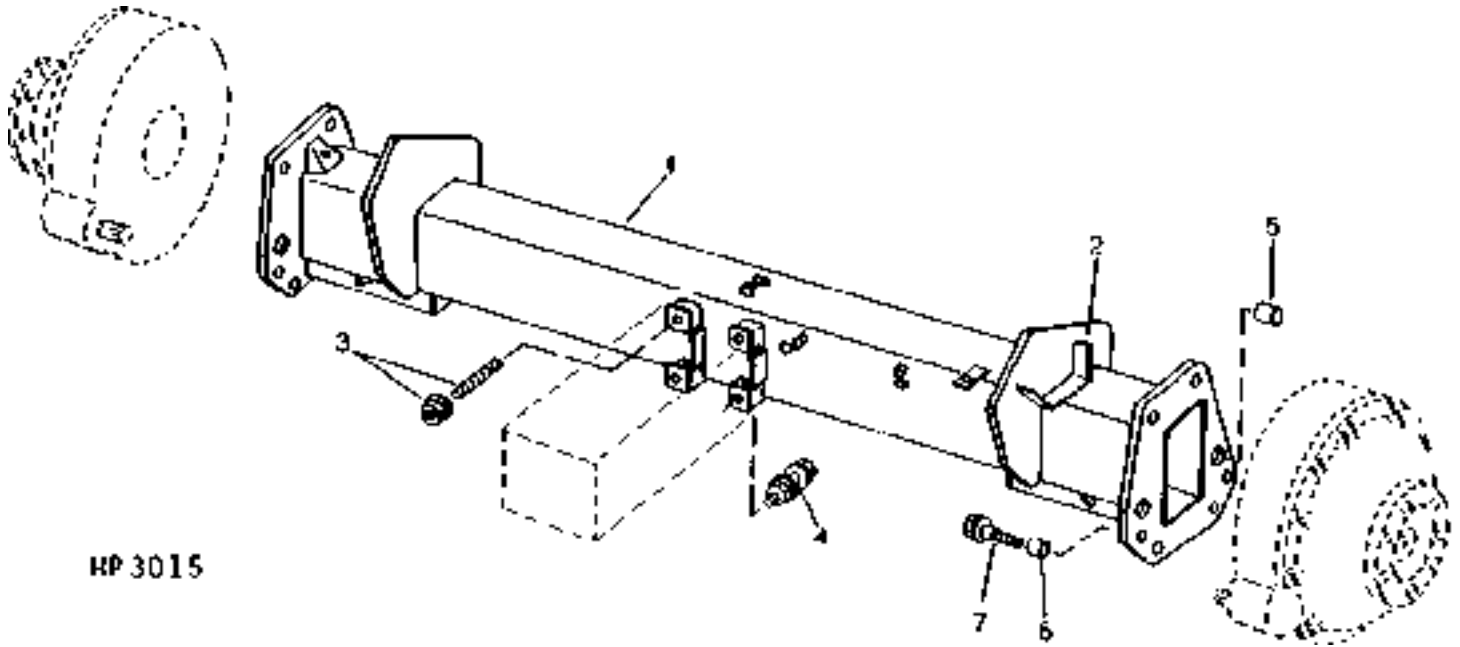
HP7465 -UN-10MAR98



HP7465

KEY	PART NO.	PART NAME	QTY	SERIAL NO.	REMARKS
1	H134600	CAP SCREW	10	M20 X 85	
2	H134114	SPACER	10		
3	AH130627	WHEEL	2	(18.4 R38 TIRES)	
	AH140253	WHEEL	2	(20.8 X 38 TIRES)	
4	H122063	PIN	1		
5	H138607	STUD	2	20 X 205MM (0.787" X 8.07")	(USE FOR WHEEL MOUNTING ONLY)
6	N276699	SPACER	1		
..	H122573	DECAL	2	-670400	"CAUTION" REMOVING DUAL WHEELS
..	H134442	LABEL	2		"IMPORTANT" WHEEL BOLT TORQUE
..	H111537	LABEL	2		"IMPORTANT" 24 PSI (165 KPA) (18.4 R38 TIRES)
..	H158975	DECAL	2	670401-	

**FRONT AXLE  
(RING AND PINION FINAL DRIVE)**  
HP3015 -UN-01JAN94

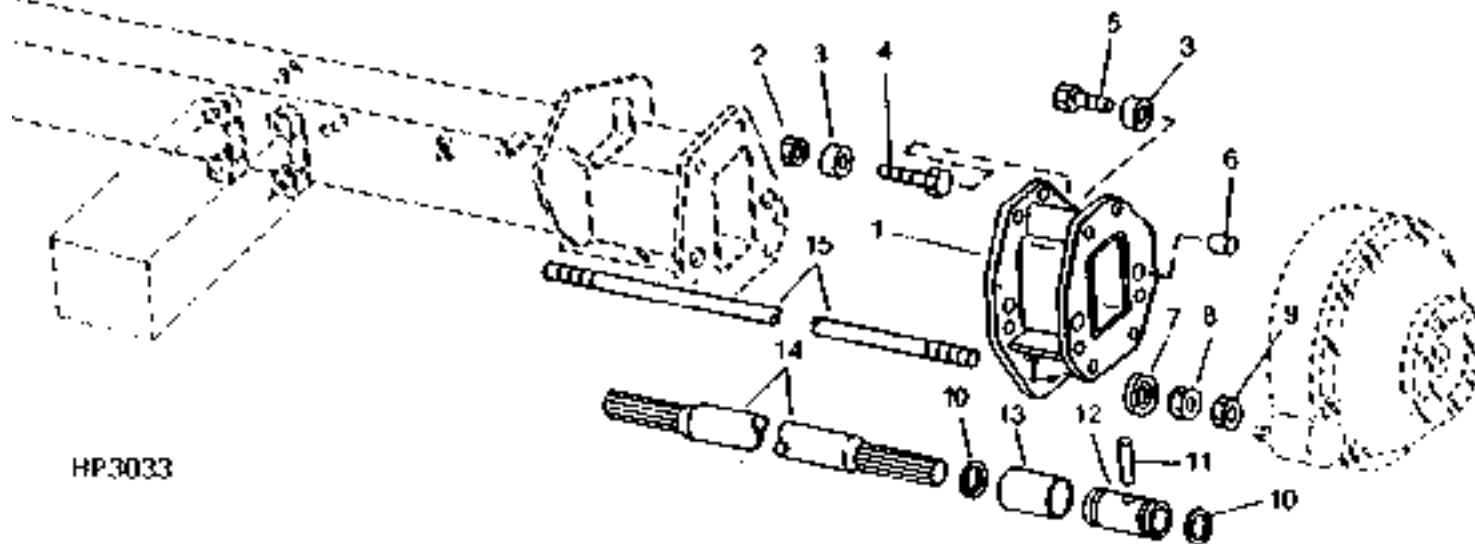


**HP 3015**

KEY	PART NO.	PART NAME	QTY	SERIAL NO.	REMARKS
1	AH138957	FRONT AXLE	1		NO LONGER AVAILABLE
2	H132126	PLATE	2		(REQUIRED WITH AXLE REPLACEMENT) NO LONGER AVAILABLE
3	42M7028	STUD	2		M16 X 75
	14M7291	FLANGE NUT	2		M16 FLANGE
4	H107504	BOLT	2		
	14M7291	FLANGE NUT	2		M16 FLANGE
5	H87691	BUSHING	4		
6	H156127	SLEEVE	12		(SUB FOR H116333)
7	19M7831	SCREW	12	-666502	M20 X 80
	19M7892	CAP SCREW	12	666503-	M20 X 80



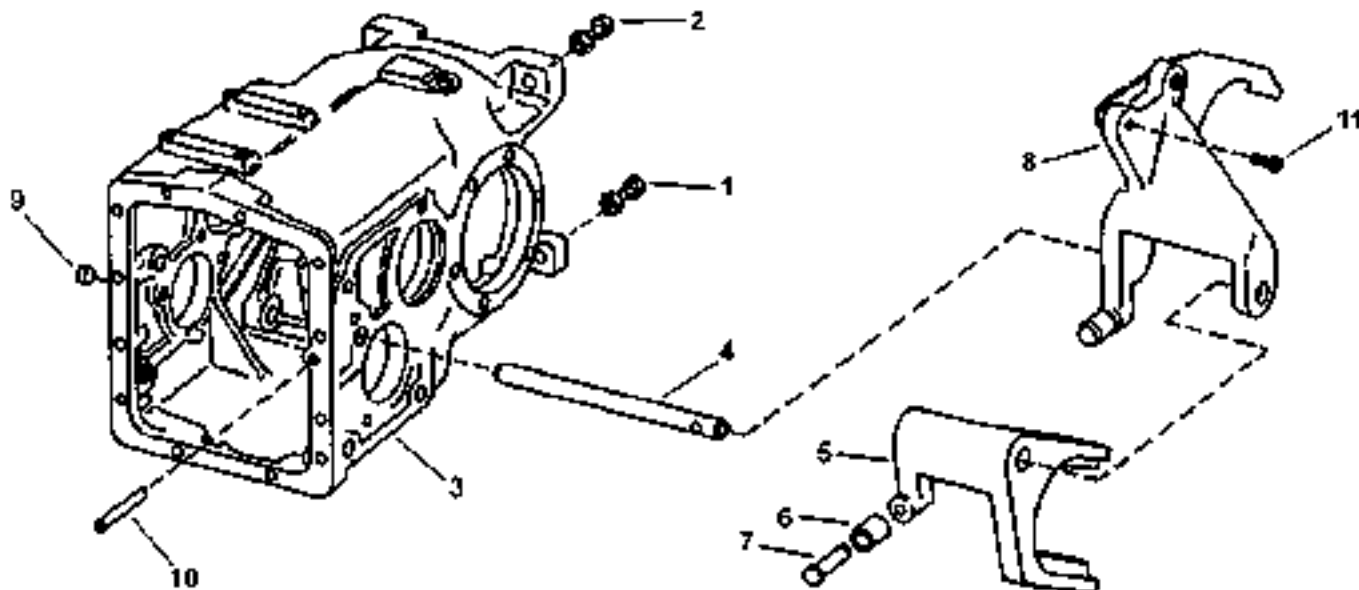
**AXLE SPACERS  
(RING AND PINION FINAL DRIVE)**  
HP3033 -UN-01JAN94



KEY	PART NO.	PART NAME	QTY	SERIAL NO.	REMARKS
1	AH142158	EXTENSION	2		(SUB H168744) (SUB FOR AH125587) 12"(300 MM)
	H168166	SPACER	2		(SUB FOR AH125588 OR AH142139) 16"(400 MM)
	H168744	SPACER	2		12"(300 MM)
2	14M7300	FLANGE NUT	12		M20
3	H156127	SLEEVE	24		(SUB FOR H116333)
4	19M7832	SCREW	12	-666502	M20 X 100
	19M7963	CAP SCREW	12	666503-	M20 X 100
5	19M7896	SCREW	12	-666502	M20 X 90
	19M8197	CAP SCREW	12	666503-	M10 X 85
6	H87691	BUSHING	8		
7	H130287	SPACER	2		
8	H130288	NUT	2		
9	14M7431	NUT	2		M30
10	H133229	SNAP RING	4		
11	H131754	PIN	2		
12	H165510	SPLINED COUPLING	2		(SUB FOR H133230)
13	H134444	SLEEVE	2		
14	H165663	SHAFT	1		400 MM, (SUB FOR H133246)
	H165662	SHAFT	1		300 MM, (SUB FOR H133244)
15	H144998	ROD	1		
..	<b>BH81704</b>	<b>COMPLETE GOODS/SHIP. BUNDLE</b>	<b>2</b>		<b>(400 MM) AXLE SPACER</b>
..	<b>BH81705</b>	<b>COMPLETE GOODS/SHIP. BUNDLE</b>	<b>2</b>		<b>(300 MM) AXLE SPACER</b>

## TRANSMISSION AND DIFFERENTIAL HOUSING AND SHIFTER FORKS

HP7492 -UN-02APR98

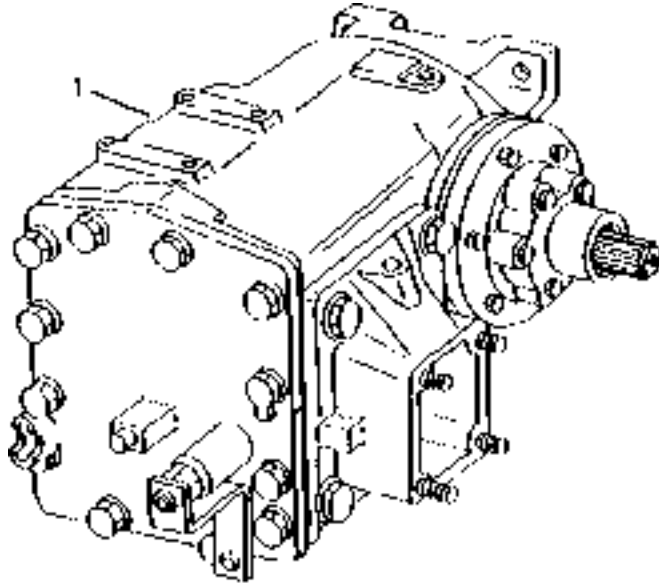


### HP7492

KEY	PART NO.	PART NAME	QTY	SERIAL NO.	REMARKS
1	H107504	BOLT	2		
2	42M7028	STUD	2		
	14M7291	FLANGE NUT	2		M16
3	.....	KIT	1	-29SEP7	
4	H146640	RAIL	1		
5	H135112	SHIFTER	1		
6	R26207	ROLLER	2		
7	H76152	PIN	2		
8	AH122575	SHIFTER	1		
9	N102039	CAP	1		
10	T76836	PIN	1		
	14M7291	FLANGE NUT	2		M16
11	19M7785	SCREW	3	29SEP7-	M10 X 25
..	TY9371	ADHESIVE	1		6 ML (0.2 OZ) TUBE, HIGH STRENGTH
..	TY6304	SEALANT	1		170 ML (6 OZ) SPRAY CAN, CLEAN AND CURE
..	TY16285	PRIMER	1		(SUB FOR TY6305) PRIMER N, AEROSOL CAN, 6 OZ.
..	AH140410	KIT	1		3 SPEED TRANSMISSION
..	N196062	BUSHING	1		P/O KIT
..	T12083	CAP	1		P/O KIT
..	T77857	O-RING	1		P/O KIT
..	15H585	PIPE PLUG	1		P/O KIT
..	19M7784	SCREW	1		P/O KIT

# 2G11

TRANSMISSION  
(655429- )  
HP5722 -UN-01JAN94



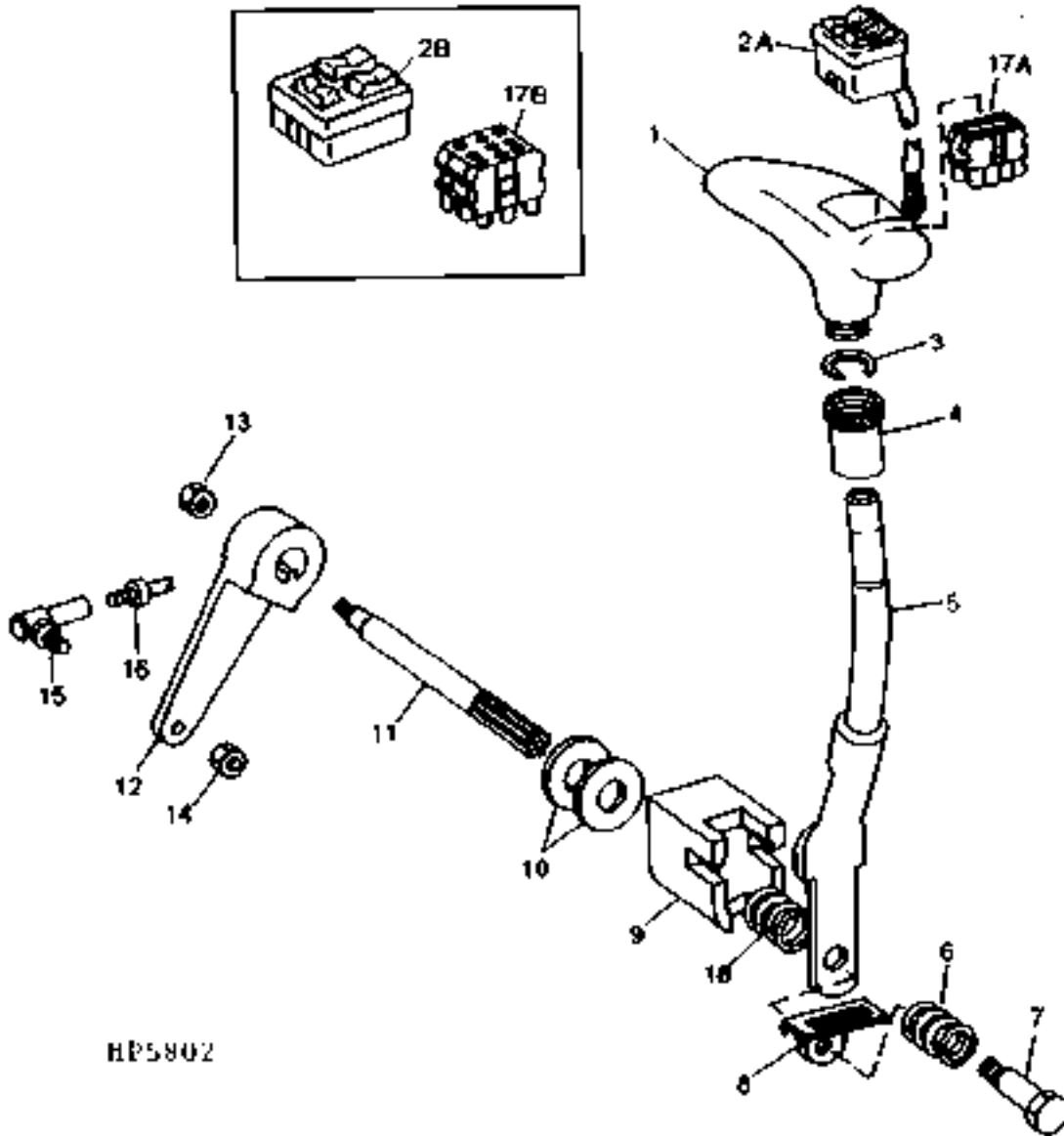
**HP5722**

KEY	PART NO.	PART NAME	QTY	SERIAL NO.	REMARKS
1	AH158660	TRANSMISSION	1		(SUB FOR AH145614 OR AH137329) (FOR RING AND PINION FINAL DRIVE ONLY)

NOTE: DOES NOT INCLUDE BREAKS, BREAKSHAFTS, BREAKLINES, SPEED PICKUP AND BREATHER

## HYDROSTATIC DRIVE LEVER, CABLE AND SWITCH

HP5802 -UN-20OCT94



HP5802

# 2G13

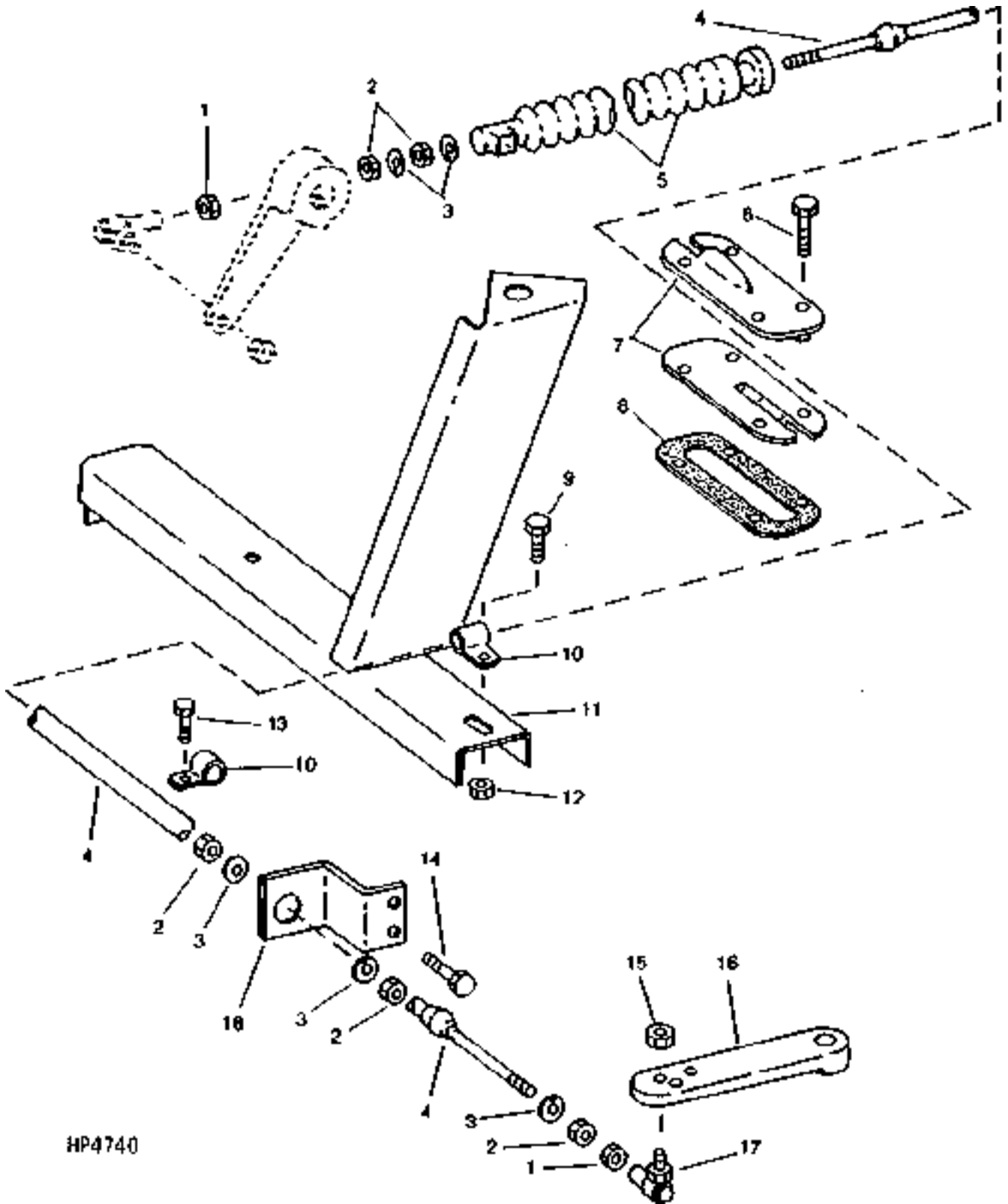
POWER TRAIN

## HYDROSTATIC DRIVE LEVER, CABLE AND SWITCH - CONTINUED

KEY	PART NO.	PART NAME	QTY	SERIAL NO.	REMARKS
1	AH115281	KNOB	1		W/O CONTOUR MASTER
	AH145061	KNOB	1	660401-	W/CONTOUR MASTER
2A	AH140161	SWITCH	1		W/O CONTOUR MASTER
2B	AH145060	SWITCH	1	660401-	W/CONTOUR MASTER
3	T12033	SNAP RING	1		
4	H129749	LOCK	1		
5	AH124940	LEVER	1		
6	122SE	SPRING	1		
7	H119007	SCREW	1		
8	H128557	RETAINER	1		
9	H128536	BASE	1		
10	H77739	WASHER	2		
11	H144184	SHAFT	1		
12	H168989	ARM	1		(SUB FOR H143891)
13	14M7152	NUT	1		M10
14	H168961	LOCK NUT	1		M6
15	AH115487	BALL JOINT	1		
16	AH138048	CABLE	1		
17A	AH116902	CONNECTOR	1	-660400	CONNECTS TO HYDRO HANDLE SWITCHES (6-PIN)
17B	H151161	CONNECTOR	1	660401-	CONNECTS TO HYDRO HANDLE SWITCHES (9-PIN)
18	H95368	SPRING	1		

# 2G14

HYDROSTATIC DRIVE CONTROL CABLE  
HP4740 -UN-01JAN94



HP4740

# 2G15

POWER TRAIN

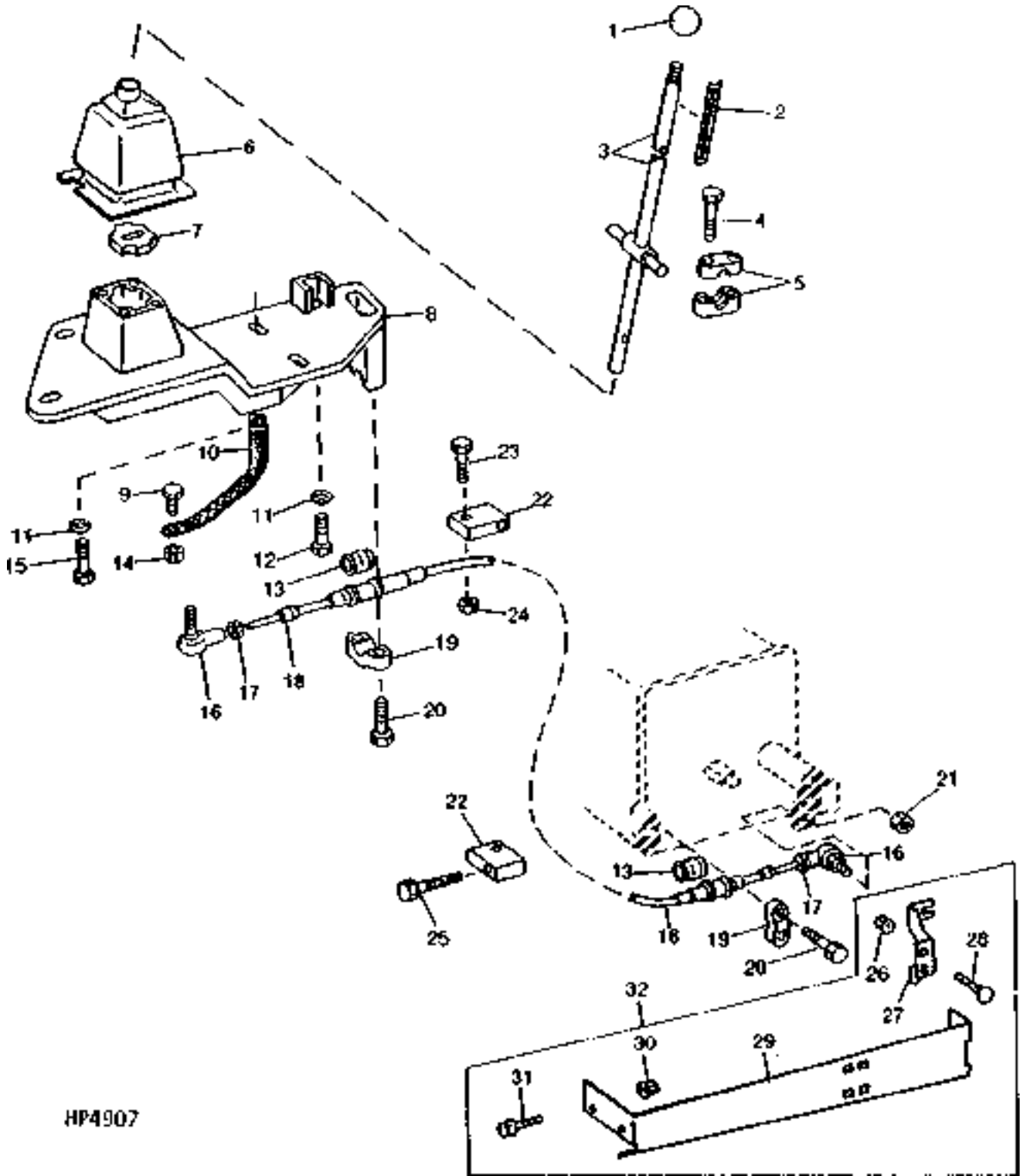
## HYDROSTATIC DRIVE CONTROL CABLE - CONTINUED

KEY	PART NO.	PART NAME	QTY	SERIAL NO.	REMARKS
1	14M7272	NUT	2	M6	
2	14M7260	NUT	5	M16	
3	24M7241	WASHER	5	17 X 34 X 4 MM	
4	AH138048	CABLE	1		
5	H143445	BOOT	1		
6	37M7131	SCREW	4	M6 X 20	
7	H126124	CLAMP	2		
8	H126123	GASKET	1		
9	19M7868	SCREW	1	M8 X 30	
10	AH80916	CLIP	3		
11	AH136362	SUPPORT	1		
12	14M7298	FLANGE NUT	1	M8	
13	37M7058	SCREW	1	M8 X 20	
14	19M7867	SCREW	2	M8 X 25	
15	14M7303	FLANGE NUT	1	M6	
16	H168988	LEVER	1	(SUB FOR H126583)	
17	AH106933	BALL JOINT	2		
18	H142044	SUPPORT	1		

# 2G16

## GEARSHIFT LEVER AND LINKAGE

HP4907 -UN-01JAN94



HP4907



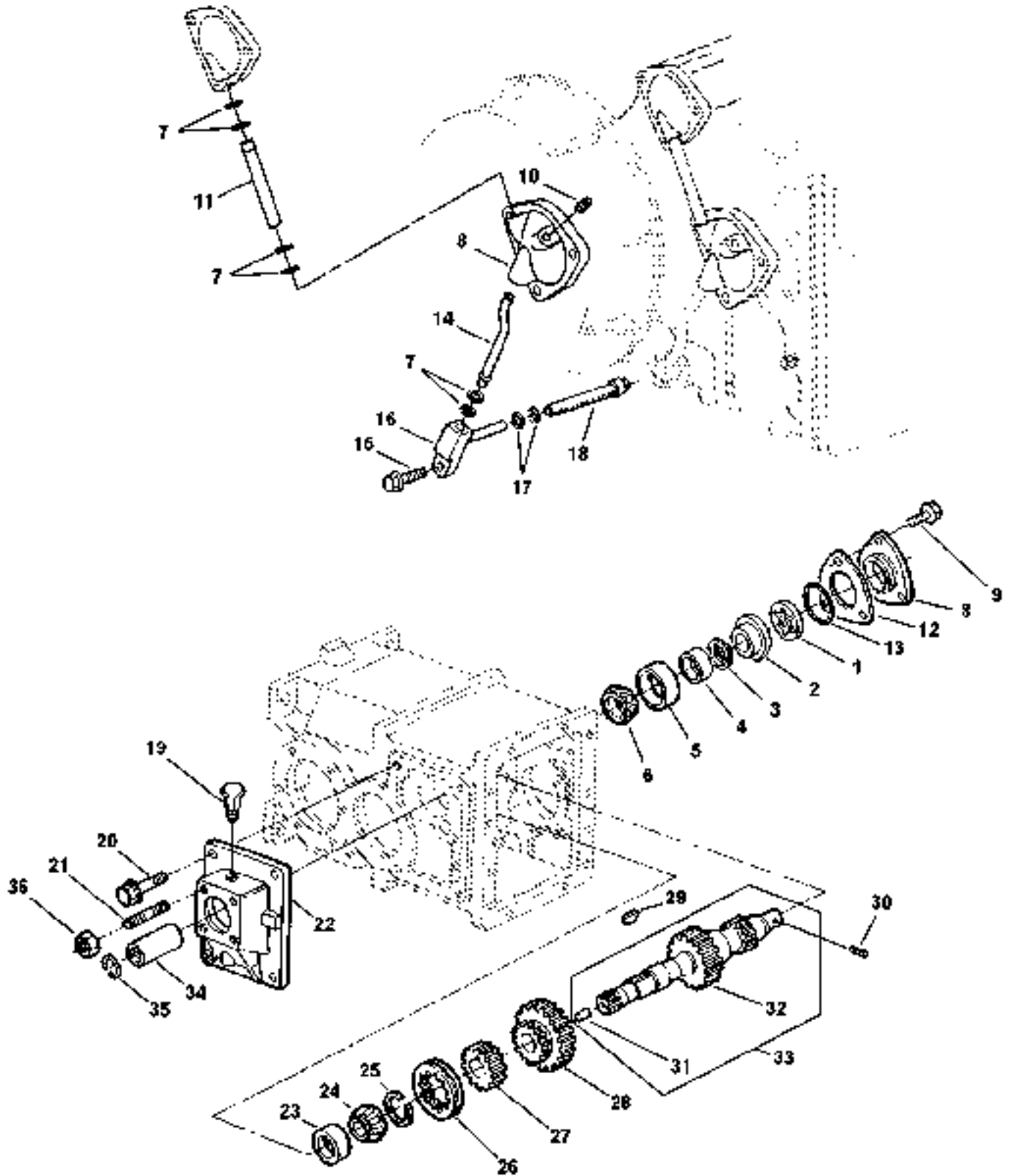
**GEARSHIFT LEVER AND LINKAGE - CONTINUED**

KEY	PART NO.	PART NAME	QTY	SERIAL NO.	REMARKS
1	H125518	KNOB	1		USE TY9373 OR TY9478 OR TY9371 TO SECURE (SUB FOR H134767) "BRAKE" INCLUDES DECAL ON ROD
2	H149068	LABEL	1	-6MAY96	
3	AH135323	SHIFTER ROD	1		
4	19M8318	SCREW	4		M8 X 45, ORDER AH125785
5	H131040	BEARING	4		
6	H131041	BOOT	1		
7	H133660	SEAL	1		
8	H133636	HOUSING	1		
9	19M7788	SCREW	1		M12 X 25
10	AH125010	GROUND CABLE	1		
11	24H1296	WASHER	5		11/32" X 1-3/8" X 0.134"
12	19M8319	SCREW	1		M8 X 50
13	H133662	ISOLATOR	2		
14	14M7299	FLANGE NUT	1		M12
15	19M7867	SCREW	4		M8 X 25
16	AH125958	BALL JOINT	2		
17	14M7274	NUT	2		M10
18	AH128357	CABLE	1		
19	H133047	CLAMP	2		
20	19M8291	SCREW	4		M8 X 35
21	14M7296	FLANGE NUT	1		M10
22	H112162	CLAMP	4	-655541	
	AH77724	CLIP	3	655542-	
23	19M7799	SCREW	1		M8 X 45
24	14M7298	FLANGE NUT	1		M8
25	37M7149	SCREW	3		M8 X 50
26	14M7400	LOCK NUT	2		M10
27	.....	SUPPORT	1		(SUB AH138329)
28	03M7190	BOLT	2		M10 X 20
29	.....	GUARD	1		(SUB AH138329)
30	14M7401	LOCK NUT	1		M12
31	19M7788	SCREW	1		M12 X 25, (SUB AH138328)
32	AH138329	KIT	1		
..	TY9370	ADHESIVE	1		6 OZ. MEDIUM STRENGTH (CANADA NUMBER TY9477)
..	TY9373	GASKET	1		(SUB T43514)
..	TY9478	ADHESIVE	1		
..	TY9371	ADHESIVE	1		6 ML HIGH STRENGTH

# 2G18

## TRANSMISSION INPUT SHAFT, GEARS, LUBE PUMP AND BEARINGS

HP7499 -UN-15APR98



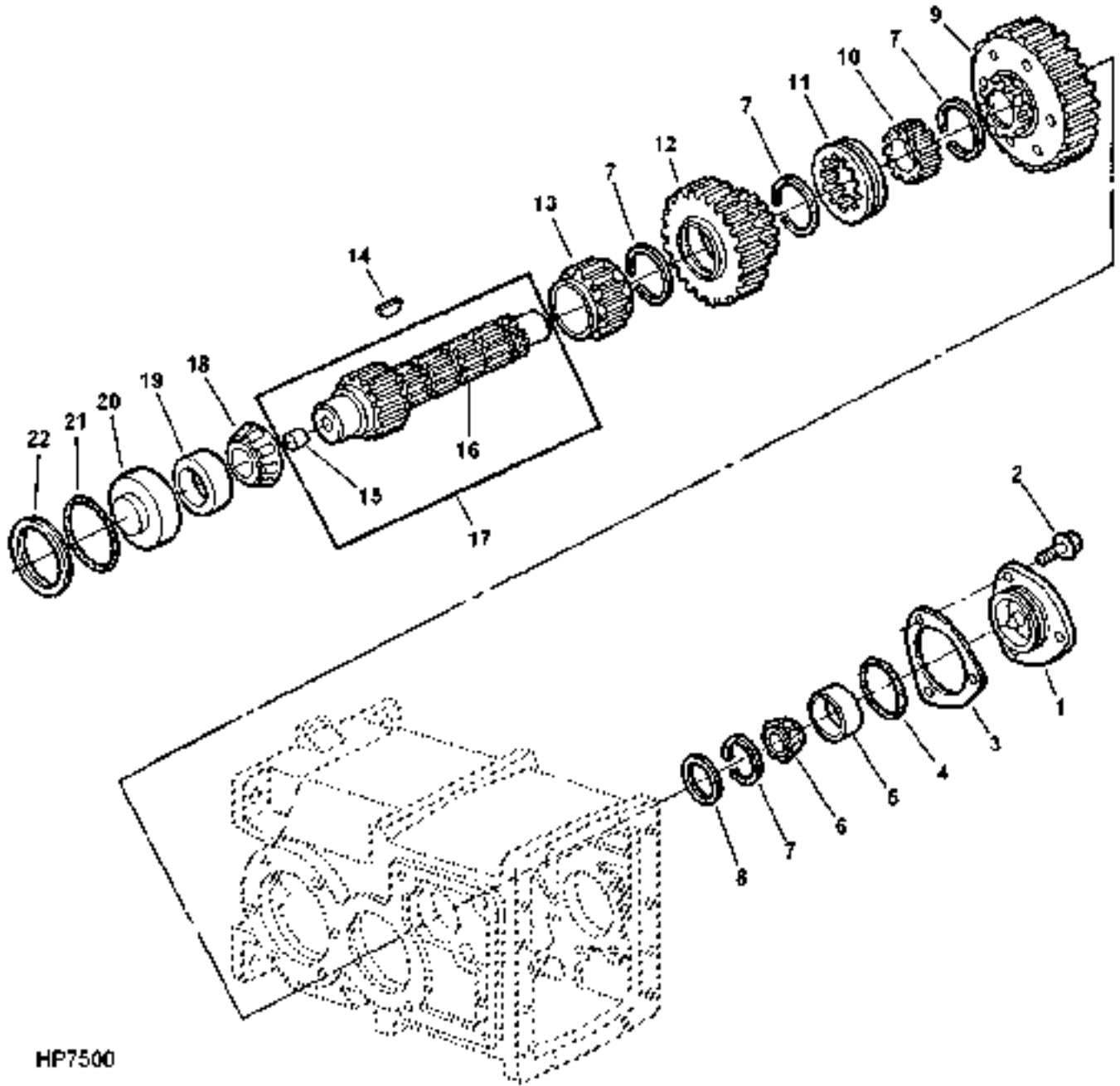
HP7499

**TRANSMISSION INPUT SHAFT, GEARS, LUBE PUMP AND BEARINGS - CONTINUED**

KEY	PART NO.	PART NAME	QTY	SERIAL NO.	REMARKS
1	AH128528	ROTOR	1		
2	H82234	PLATE	1		LUBE PUMP PORT
3	H82232	WASHER	1		54.610 X 63.119 X 0.889 MM (2.150" X 2.485" X 0.035") (WAVE TYPE)
4	H82233	BUSHING	1		
5	JD8257	BEARING CUP	1		
6	AR94761	BEARING CONE	1		(SUB FOR JD8947)
7	R394R	O-RING	8		
8	H142030	HOUSING	1		
9	19M7786	SCREW	3		M10 X 30
10	15H638	PIPE PLUG	1		(SUB FOR 15H253)
11	H131296	OIL TUBE	1		
12	H132892	SHIM	AR		0.076 (.003 ) THICK
	H132893	SHIM	AR		0.127 (.005") THICK
	H132894	SHIM	AR		0.508 (.02") THICK
13	T43514	GASKET	1		
14	H131297	OIL TUBE	1		HYDRO MOTOR MOUNTING BRACKET
15	19M8162	CAP SCREW	1		M10 X 40
16	AH125228	FITTING	1		
17	R495R	O-RING	2		
18	AH121580	SCREEN	1		
19	AH20868	BREATHER	1		
20	19M7844	SCREW	4		M16 X 45
21	42M7029	STUD	4		
22	H133165	BRACKET	1		
23	JD8237	BEARING CUP	1		
24	JD10182	BEARING CONE	1		
25	P43969	SNAP RING	1		
26	H129564	SHIFT COLLAR	1		
27	H129565	SHIFT COLLAR	1		THIRD GEAR
28	H135943	GEAR	1		36 TOOTH, FOR 3RD GEAR
29	26M4228	SHAFT KEY	1		8 X 28 MM (0.315" X 1.102") WOODRUFF
30	H75358	DOWEL PIN	1		
31	H110539	ORIFICE	1		
32	.....	SHAFT	1		
33	AH131861	PINION SHAFT	1		
	AH137350	PINION SHAFT	1	-660432	(AUSTRALIA & ITALY W/TRACKS)
34	H129525	SPLINED COUPLING	1		
35	M41029	SNAP RING	2		
36	14M7299	FLANGE NUT	4		M12
37	H142031	SLEEVE	1		
..	TY9371	ADHESIVE	1		HIGH STRENGTH 6 ML (0.2 OZ) TUBE
..	TY6304	SEALANT	1		

# 2G20

**TRANSMISSION PINION SHAFT, GEARS AND BEARINGS**  
HP7500 -UN-30MAR98



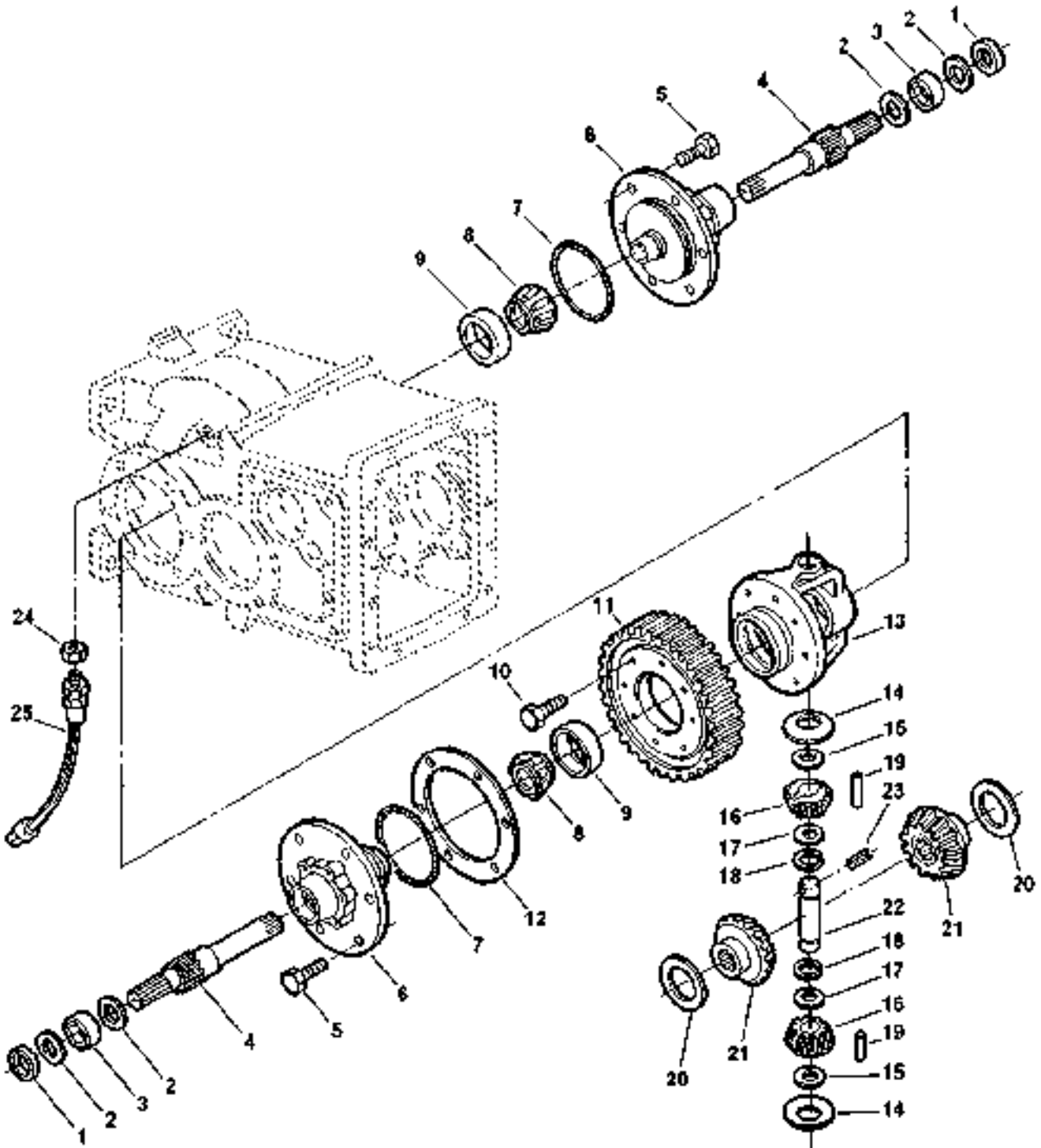
HP7500

**TRANSMISSION PINION SHAFT, GEARS AND BEARINGS - CONTINUED**

KEY	PART NO.	PART NAME	QTY	SERIAL NO.	REMARKS
1	H145173	PLANET PINION CARRIER	1	671094-	
	H145335	PLANET PINION CARRIER	1	-671093	(SUB CE18201)
	CE18201	PLANET PINION CARRIER	1	671094-	P/O KIT
2	19M7786	SCREW	3		M10 X 30
3	H132892	SHIM	AR		0.076MM (.003") THICK
	H132893	SHIM	AR		0.127 (.005") THICK
	H132894	SHIM	AR		0.508 (.02") THICK
4	U10776	O-RING	1		
5	JD8267	BEARING CUP	1		
6	JD8979	BEARING	1		
7	R26265	SNAP RING	4		
8	H103167	WASHER	1		
9	H135944	GEAR	1		(43 TOOTH), FOR 1ST GEAR
10	H133010	SHIFT COLLAR	1		(DRIVE)
11	H129564	SHIFT COLLAR	1		
12	H135942	GEAR	1		
	H143408	GEAR	1		EXPORT ONLY- AUSTRALIA & ITALY W/TRACKS
13	H132618	GEAR	1		(24 TOOTH), FOR 3RD GEAR
	H140227	GEAR	1	671094-	(28 TOOTH), FOR THIRD GEAR
14	26M4228	SHAFT KEY	1		8 X 28 MM (0.315" X 1.102") WOODRUFF
15	H110539	ORIFICE	1		
16	.....	SHAFT	1		
17	AH131862	PINION SHAFT	1		(12 TOOTH)
18	JD8182	BEARING CONE	1		
19	JD8223	BEARING CUP	1		
20	H144385	BEARING CAP	1		
21	U10746	O-RING	1		
22	H129558	SNAP RING	1		
..	AH140410	KIT	1		

# 2G22

## DIFFERENTIAL GEARS AND SHAFTS HP7501 -UN-30MAR98



HP7501

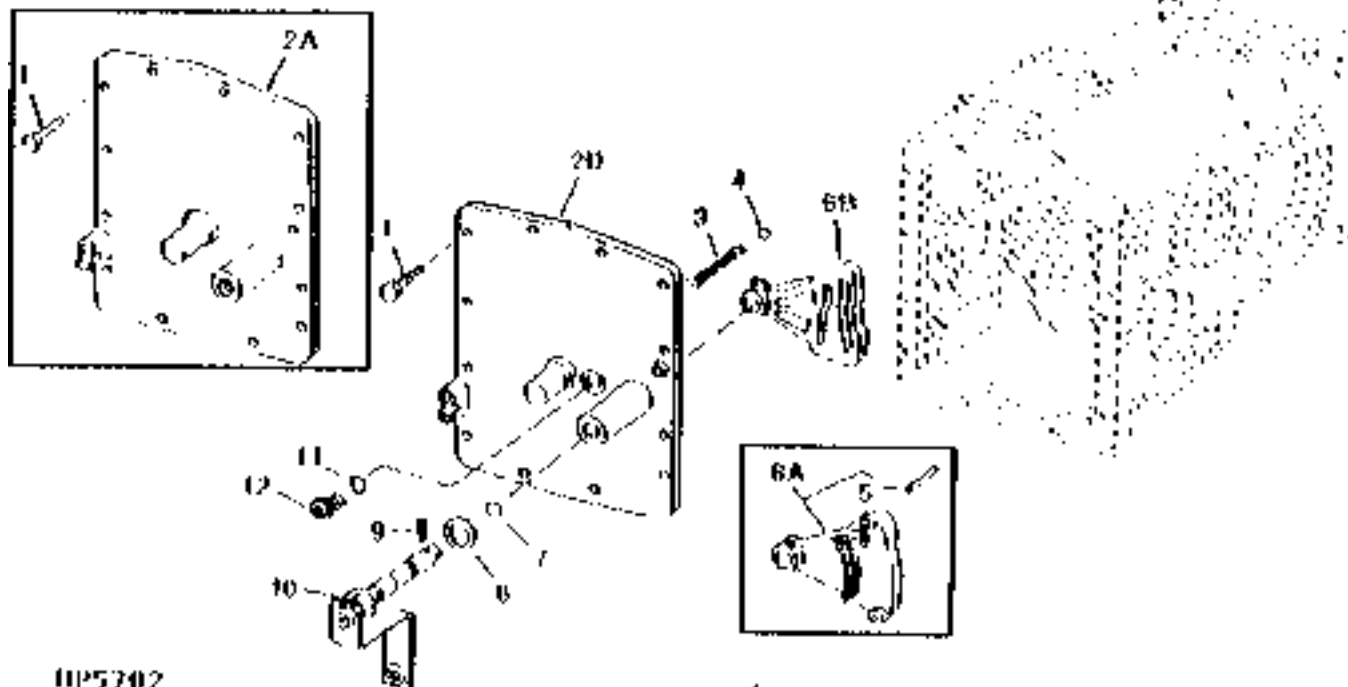
## DIFFERENTIAL GEARS AND SHAFTS - CONTINUED

KEY	PART NO.	PART NAME	QTY	SERIAL NO.	REMARKS
1	AT40603	SEAL	2		
2	C3936E	SNAP RING	4		
3	JD7502	ROLLER BEARING	2		
4	H135173	SHAFT	2		(RING AND PINION) HEAVY DUTY
	H164547	SHAFT	2	3NOV97-	(RING AND PINION) HEAVY DUTY
	H165508	SHAFT	2		(RING AND PINION) STD.
5	19M7844	SCREW	12		M16 X 45
6	H130407	CRADLE	2		
7	R27796	O-RING	2		
8	JD8147	BEARING CONE	2		
9	JD7425	BEARING CUP	2		
10	19M7790	SCREW	14		M12 X 35, (SUB FOR 19M7985)
11	H132554	GEAR	1		(62 TOOTH)
12	H126572	SHIM	AR		0.076MM (.003") THICK
	H126573	SHIM	AR		0.127MM (.005") THICK
	H126575	SHIM	AR		0.508 (.02") THICK
13	N197422	HOUSING	1		
14	H133202	THRUST WASHER	2		
15	R70112	THRUST WASHER	2		31.480 X 38 X 2.500 MM (1.239" X 1.496" X 0.098")
16	R80880	PINION	2	-670400	(SUB Z12964)
	Z12964	PINION	1	670401-	
17	R70113	THRUST WASHER	2		
18	R70114	SNAP RING	2		
19	R70115	NEEDLE ROLLER	52		
20	H164794	WASHER	2		
21	H92308	GEAR	2		
22	H146646	PIN	1		
23	34M7073	SPRING PIN	1		
24	H104418	NUT	1		
25	AH116104	SENSOR	1		GROUND SPEED

# 2G24

## TRANSMISSION AND DIFFERENTIAL HOUSING COVER, AND SHIFTER CAM

HP5702 -UN-01JAN94



HP5702

KEY	PART NO.	PART NAME	QTY	SERIAL NO.	REMARKS
1	19M7786	SCREW	12		M10 X 30
2A	H137334	COVER	1		(SUB N199920, R26375 AND R33138)
2B	N199920	COVER	1		
3	T27888	SPRING	1		
4	R1818R	BALL	1		19.050 MM (3/4")
5	34M7038	SPRING PIN	2	-29SEP7	6 X 20 MM, WITH H137333 CAM ONLY
	25M3827	GROOVE PIN	2	29SEP7-	3 X 8 MM
6A	H137333	CAM	1		(SUB H136145)
6B	H136145	CAM	1		(SUB N274892)
7	R71144	O-RING	1		20.295 X 2.616 MM (0.799" X 0.103")
8	H75700	WASHER	1		25.806 X 44.298 X 3.404 MM (1-1/64" X 1.744" X 0.134")
9	34M7053	SPRING PIN	1		10 X 40 MM
10	AH128267	ARM	1		
11	R26375	O-RING	1		16.358 X 2.210 MM (0.644" X 0.087")
12	R33138	FITTING	1		

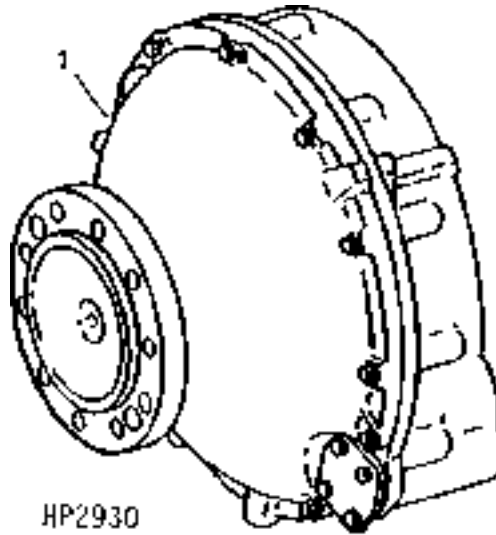


# 2G25

POWER TRAIN

## FINAL DRIVE (RING AND PINION)

HP2930 -UN-01JAN94



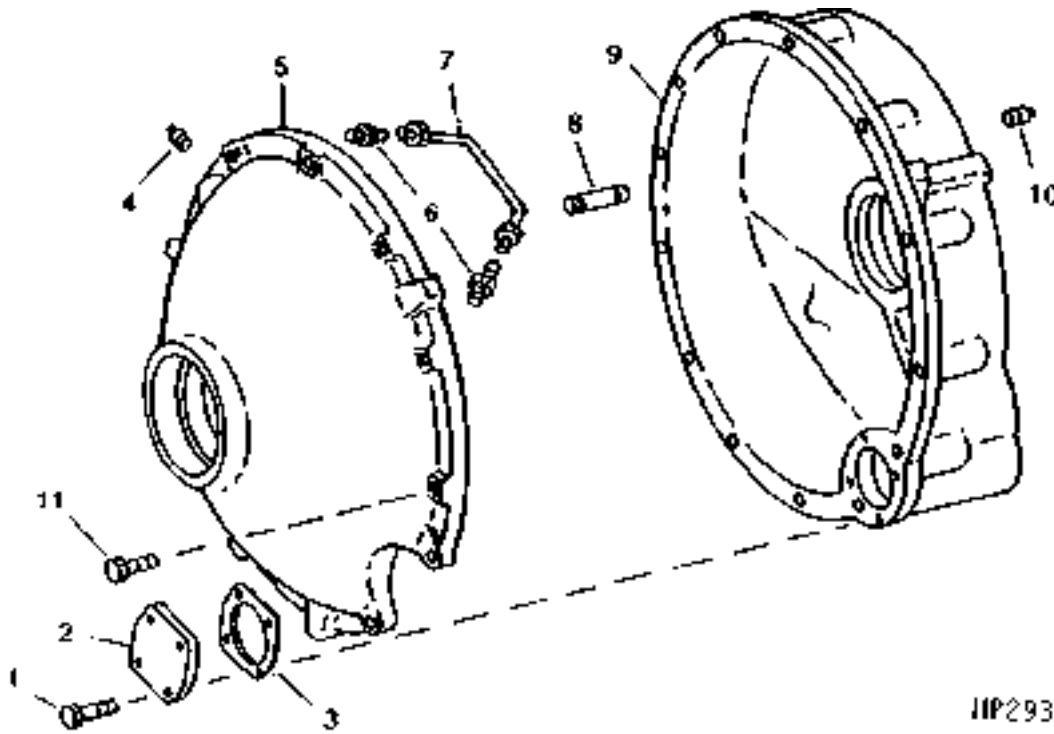
KEY	PART NO.	PART NAME	QTY	SERIAL NO.	REMARKS
1	AH137754	GEAR	1		L.H. (HIGH CLEARANCE)
	AH137755	GEAR	1		R.H. (HIGH CLEARANCE)
	AH149448	GEAR	1		(SUB FOR AH121922) L.H.
	AH149449	GEAR	1		(SUB FOR AH121923) R.H.

# 2H1

POWER TRAIN

## FINAL DRIVE HOUSING AND BEARING CAP (RING AND PINION)

HP2931 -UN-01JAN94



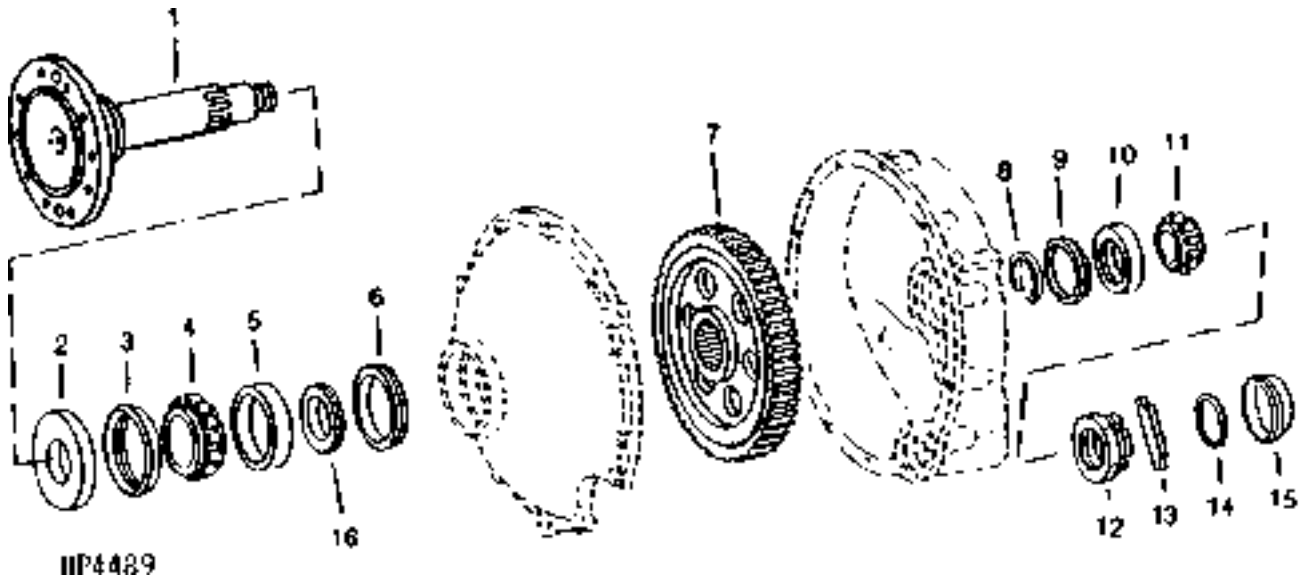
HP2931

KEY	PART NO.	PART NAME	QTY	SERIAL NO.	REMARKS
1	19M7835	SCREW	4	M10 X 35	
2	H133089	CAP	1		
3	H133096	SHIM	AR	0.50 MM (0.020") (STEEL)	
	H133097	SHIM	AR	0.25 MM (0.010") (STEEL)	
	H133098	SHIM	AR	0.13 MM (0.005") (PLASTIC) (BLUE)	
4	JD7760	LUBRICATION FITTING	1		
5	H133092	HOUSING	1		(OUTER)
6	R35352	FITTING	2		
7	AH120736	OIL LINE	1		
8	R54380	DOWEL PIN	2		
9	H143893	HOUSING	1		(RICE) R.H. (INNER)
	N276474	HOUSING	1		(SUB FOR H148286)
	H143894	HOUSING	1		(RICE) L.H. (INNER)
	N276475	HOUSING	1		(SUB FOR H148287) L.H. (INNER) REQUIRES (3) PIPE PLUGS (2) FOR FILL HOLES AND (1) FOR DRAIN HOLE
10	P46369	FITTING	1	-22AP96	(SUB FOR H154722) IN FILL HOLE
	15H584	PIPE PLUG	3	22AP96-	12.700 MM (1/2") (SUB FOR 15H237) (2) IN FILL HOLES AND (1) IN DRAIN HOLE
11	19M7824	SCREW	12		M16 X 60

NOTE: QUANTITIES SHOWN ARE FOR ONE UNIT. TWO UNITS USED PER MACHINE.

## FINAL DRIVE AXLE, GEAR AND BEARINGS (RING AND PINION)

HP4489 -UN-01JAN94



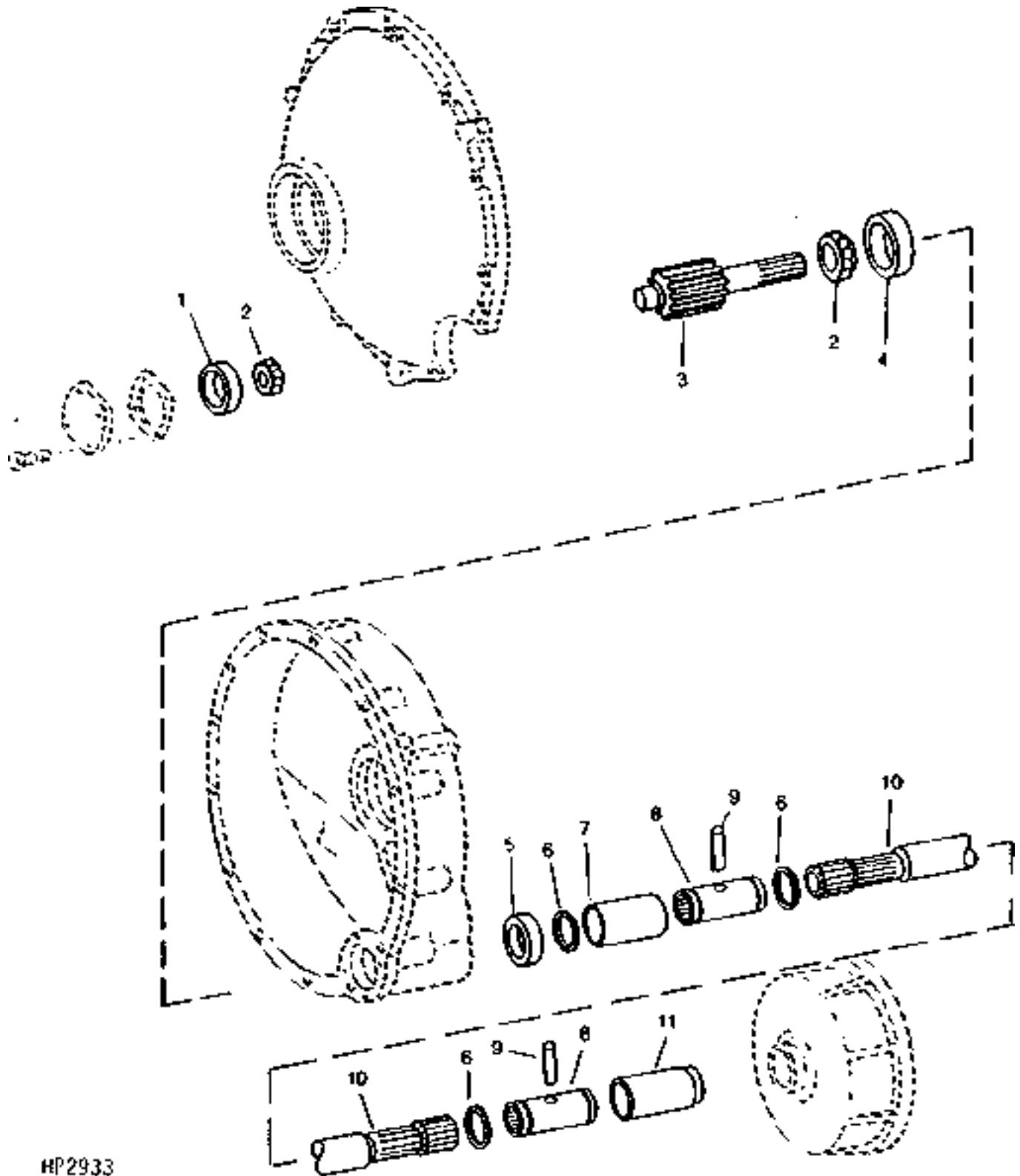
KEY	PART NO.	PART NAME	QTY	SERIAL NO.	REMARKS
1	H133094	SPINDLE	1		
2	AH112402	SEAL	1		
3	R52015	SEAL	1		
4	JD9092	BEARING CONE	1		
5	JD9147	BEARING CUP	1		
6	AH125233	SEAL	1		
7	H137672	GEAR	1	-24JA99	104 TEETH
	H167723	GEAR	1	25JA99-	95 TEETH
8	H118882	SNAP RING	1		
9	H129557	SPACER	1		
10	JD7298	BEARING CUP	1		
11	JD10266	BEARING CONE	1		
12	H129854	NUT	1		
13	H125330	SHAFT KEY	1		
14	H22784	SNAP RING	1		
15	H125335	BEARING CAP	1	-660713	
	H154720	PLUG	1	660714-	
16	R99244	V-RING SEAL	1		

NOTE: QUANTITIES SHOWN ARE FOR ONE UNIT. TWO UNITS USED PER MACHINE.

# 2H3

FINAL DRIVE PINION, DRIVE SHAFTS AND BEARINGS  
(RING AND PINION)

HP2933 -UN-01JAN94



HP2933

# 2H4

POWER TRAIN

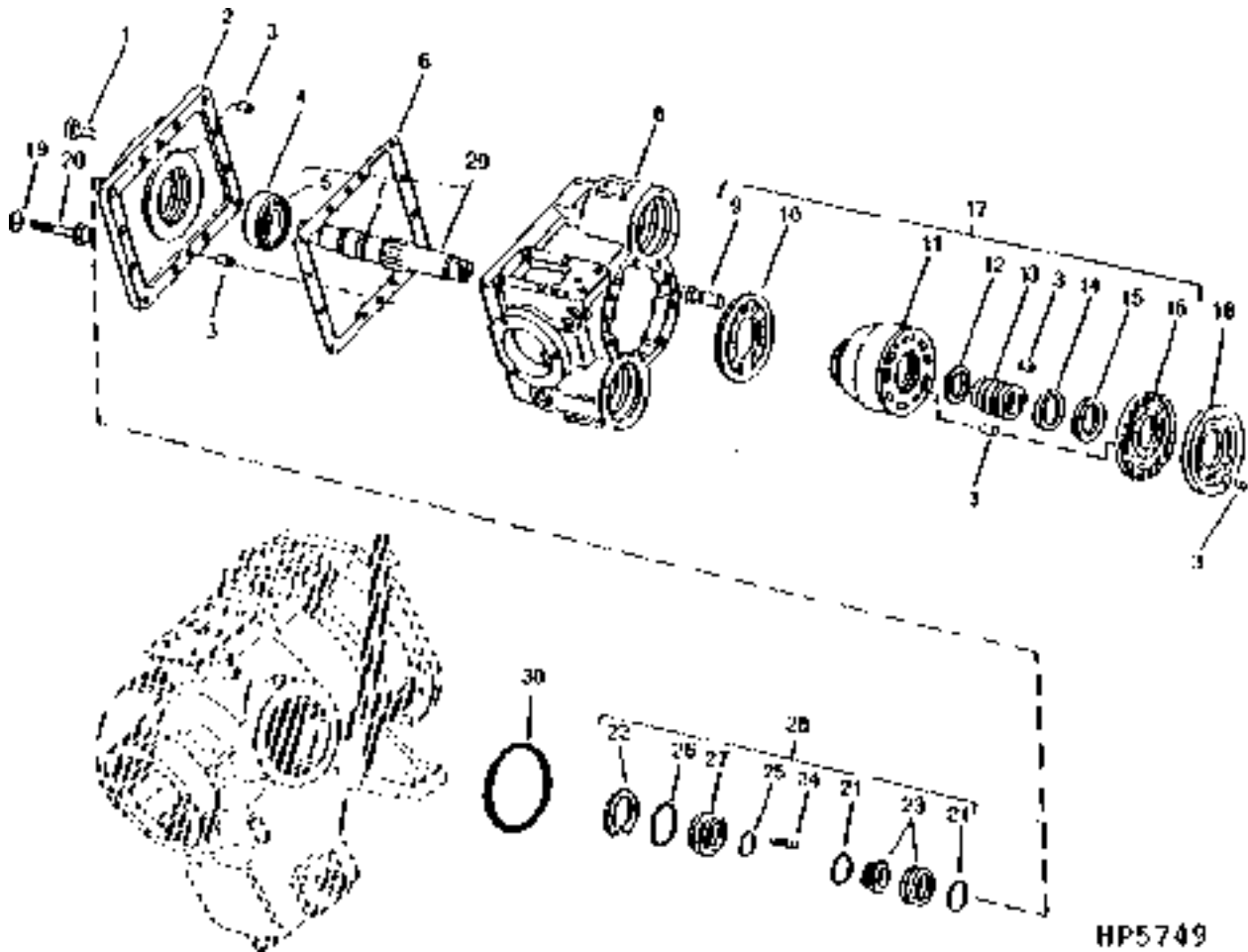
**FINAL DRIVE PINION, DRIVE SHAFTS AND BEARINGS - CONTINUED  
(RING AND PINION)**

KEY	PART NO.	PART NAME	QTY	SERIAL NO.	REMARKS
1	JD8222	BEARING CUP	1		
2	JD10401	BEARING CONE	2		
3	H141558	PINION	1		
4	T79098	BEARING CUP	1		
5	AH128391	SEAL	1		
6	H133229	SNAP RING	3		
7	H134444	SLEEVE	1		
8	H165510	SPLINED COUPLING	2		(SUB FOR H133230)
9	H131754	PIN	2		
10	H144992	DRIVE SHAFT	1		R.H.
	H144993	DRIVE SHAFT	1		L.H.
11	H134531	SLEEVE	1	-24JA99	
	H166201	SLEEVE	1	25JA99-	

NOTE: QUANTITIES SHOWN ARE FOR ONE UNIT. TWO UNITS USED PER MACHINE.

# 2H5

**HYDROSTATIC DRIVE PUMP, FRONT COVER AND SHAFT  
(RING AND PINION)**  
HP5749 -UN-01JAN94



# 2H6

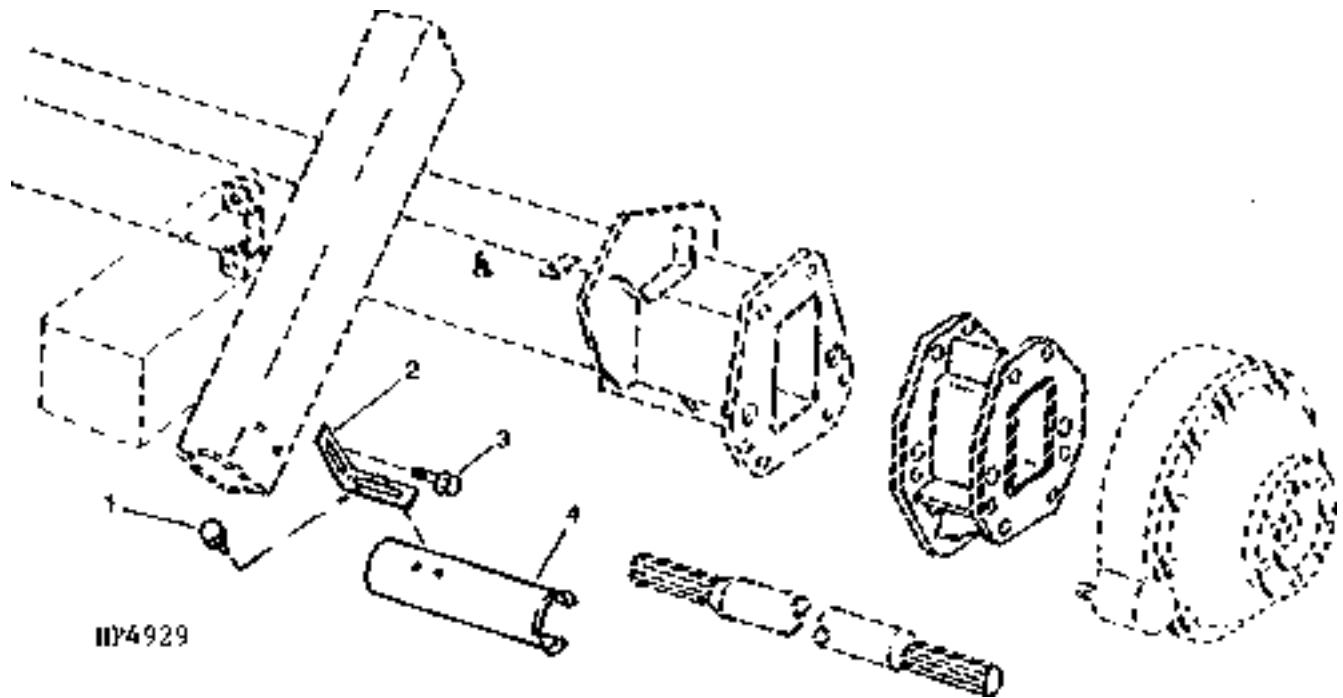
POWER TRAIN

## HYDROSTATIC DRIVE PUMP, FRONT COVER AND SHAFT (RING AND PINION FINAL DRIVE) - CONTINUED

KEY	PART NO.	PART NAME	QTY	SERIAL NO.	REMARKS
1	19H1731	CAP SCREW	12	3/8" X 1"	
2	.....	FLANGE	1	(ORDER AH160785)	
3	H63271	PIN	5		
4	JD9113	BEARING CUP	1		
5	.....	FLANGE	1		
6	N126585	GASKET	1		
7	.....	SNAP RING	1		
8	.....	HOUSING	1	(ORDER AH160785)	
9	AH131169	PISTON	9	(A)	
10	.....	RETAINER	1	(A)	
11	.....	CYLINDER BLOCK	1	(A)	
12	.....	WASHER	1	(A)	
13	.....	SPRING	1	(A)	
14	.....	WASHER	1	(A)	
15	.....	SNAP RING	1	(A)	
16	H135500	PLATE	1	(A)	
17	AH131171	KIT	1	(INCLUDES PARTS MARKED (A))	
18	H135499	PLATE	1		
19	T29342	WASHER	4	17/32" X 1-1/4" X 0.180"	
20	19M7493	CAP SCREW	4	M12 X 40	
21	N196034	O-RING	2		
22	N126612	SNAP RING	1		
23	.....	SEAL KIT	1	(KIT AN193085)	
24	N191174	SPRING	6		
25	U15415	O-RING	1		
26	R112857	O-RING	1		
27	.....	RETAINER	1	(KIT AN193085)	
28	AN193085	SEAL KIT	1		
29	AH133660	SHAFT	1		
30	R63308	O-RING	1	120.015 X 5.334 MM (4.725" X 0.210")	
..	AH160785	PUMP	1	(SUB FOR AH131305) REMANUFACTURED	
..	E65288	O-RING	1		

**FINAL DRIVE SHAFT SHIELDS - RING AND PINION FINAL DRIVE  
(LEFT-HAND SIDE ILLUSTRATED)**

HP4929 -UN-01JAN94



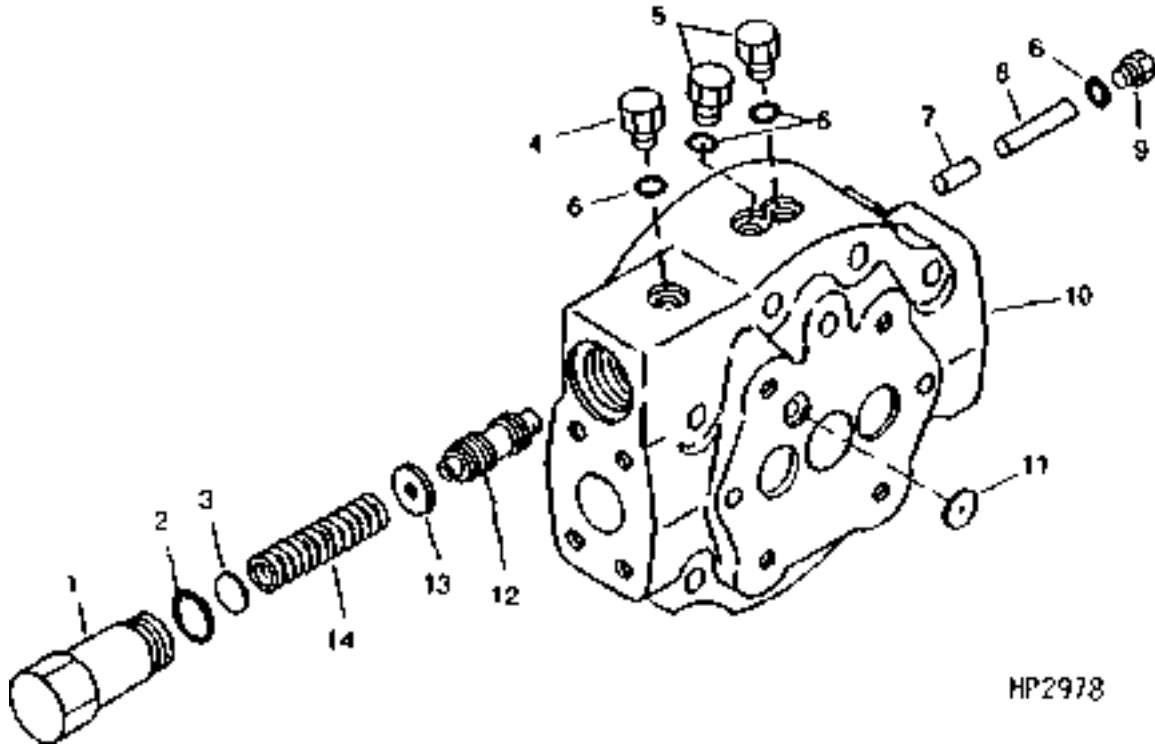
KEY	PART NO.	PART NAME	QTY	SERIAL NO.	REMARKS
1	19M7783	SCREW	4	M10 X 16, (INTO WELDNUTS)	
2	H147490	BRACKET	2		
3	19M7783	SCREW	4	M10 X 16, (INTO WELDNUTS ON NO. 2 UPRIGHT, L.H. AND R.H.)	
4	AH132239	POWERSHAFT SHIELD	2	USE WITH NO AXLE SPACER	
	AH139897	POWERSHAFT SHIELD	2	USE WITH 400 MM AXLE SPACER	
	AH132238	POWERSHAFT SHIELD	2	USE WITH 300 MM AXLE SPACER	
..	<b>BH79826</b>	<b>COMPLETE GOODS/SHIP. BUNDLE</b>	1	<b>WITH 300 MM AXLE SPACERS</b>	
..	<b>BH79828</b>	<b>COMPLETE GOODS/SHIP. BUNDLE</b>	1	<b>WITH 400 MM AXLE SPACERS</b>	



# 2H8

## HYDROSTATIC DRIVE PUMP COVER (RING AND PINION FINAL DRIVE)

HP2978 -UN-01JAN94



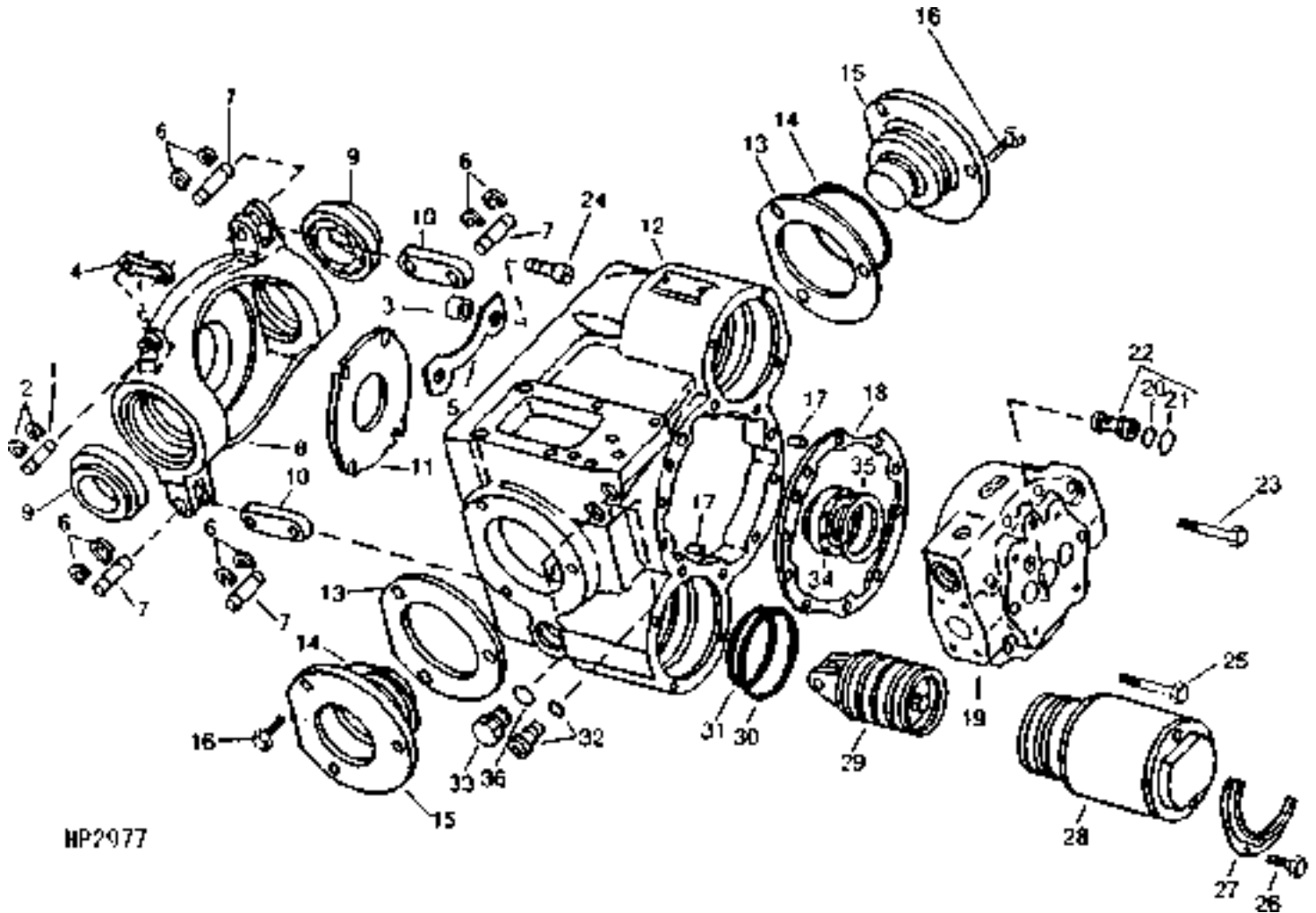
HP2978

KEY	PART NO.	PART NAME	QTY	SERIAL NO.	REMARKS
1	H135215	HOLDER	1		
2	R26906	O-RING	1		
3	.....	SHIM	1		(ORDER AH160785)
4	X05HP-2	FITTING	1		(SUB FOR AT63272)
5	X05HP-2	FITTING	2		(SUB FOR AT63272)
6	R30903	O-RING	4		
7	H135503	NEEDLE ROLLER	1		
8	H135504	NEEDLE ROLLER	1		
9	AT63272	FITTING	1		INCS. R30903 O-RING
10	.....	COVER	1		(ORDER AH160785)
11	H135567	ORIFICE	1		
12	H135214	VALVE SPOOL	1		
13	H135213	WASHER	1		
14	H135211	COMPRESSION SPRING	1		
..	AH160785	PUMP	1		(SUB FOR AH131305) REMANUFACTURED
..	E65288	O-RING	1		

# 2H9

## HYDROSTATIC DRIVE PUMP, HOUSING, SWASHPLATE, AND SERVO CYLINDERS (RING AND PINION)

HP2977 -UN-01JAN94



HP2977

# 2H10

POWER TRAIN

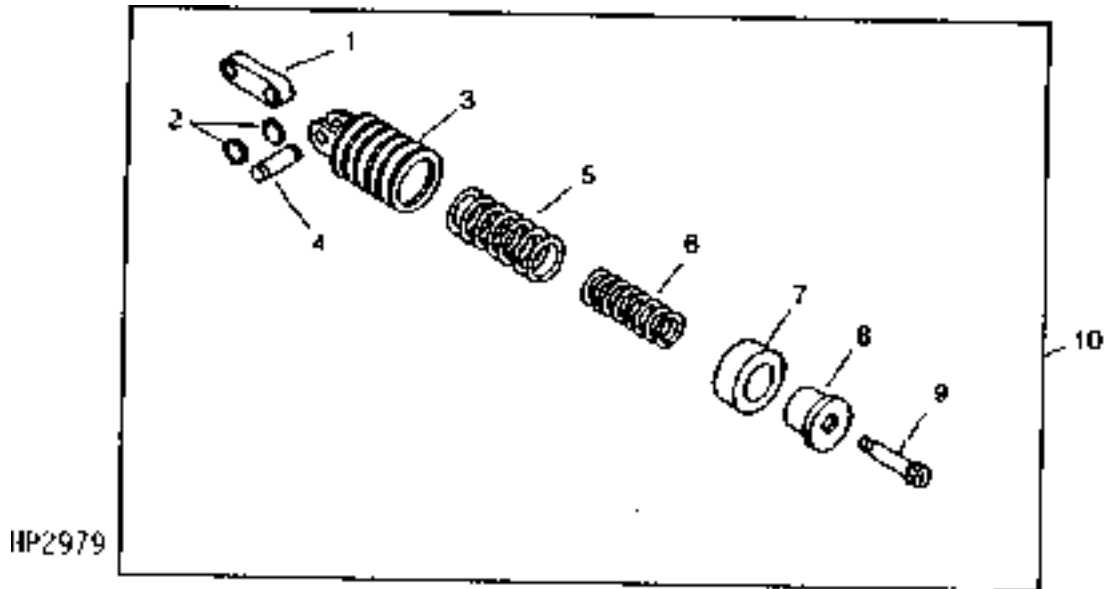
**HYDROSTATIC DRIVE PUMP, HOUSING, SWASHPLATE, AND SERVO CYLINDERS - CONTINUED  
(RING AND PINION FINAL DRIVE)**

KEY	PART NO.	PART NAME	QTY	SERIAL NO.	REMARKS
1	N126603	PIN	1		
2	M48000	SNAP RING	2		
3	.....	SPACER	1	(KIT AH131391)	
4	.....	LINK	1	(ORDER AH160785)	
5	.....	STRAP	1	(KIT AH131391)	
6	N126609	SNAP RING	8		
7	N126599	PIN	4		
8	.....	SWASH PLATE	1	(ORDER AH160785)	
9	JD9076	BEARING CONE	2		
	JD9133	BEARING CUP	2		
10	N126600	LINK	2		
11	.....	PLATE	1	(KIT AH131391)	
12	.....	HOUSING	1	(ORDER AH160785)	
13	AN122506	SHIM	AR	FOUR, .002", .005", .010" AND .015"	
14	T14065	O-RING	2		
15	.....	TRUNNION	2	(ORDER AH160785)	
16	19H2284	CAP SCREW	6	3/8" X 7/8"	
17	H63271	PIN	2		
18	N126584	GASKET	1		
19	.....	COVER	1	(ORDER AH160785)	
20	32246	O-RING	2		
21	W23690	BACK-UP RING	2		
22	AN122502	CHECK VALVE	2		
23	19H1944	CAP SCREW	6	3/8" X 2-3/4"	
24	19H3053	SCREW	4	5/16" X 1"	
25	19H1800	CAP SCREW	2	3/8" X 1-1/2"	
26	19H3176	SCREW	6	0.164" X 0.380"	
27	N126602	RETAINER	2	SERVO	
28	AN122493	SLEEVE	2	SERVO, INCLUDES R53543 AND M43518 O-RINGS	
29	AH131172	PISTON	2	(INCLUDES KEYS 6, 7 AND 10)	
30	R53543	O-RING	2		
31	M43518	O-RING	2		
32	AN122518	FITTING	1	PLUG, SOCKET HD. UNF, 7/16", INCLUDES O-RING	
33	R51031	FITTING	1		
34	AN122507	ROLLER BEARING	1		
35	AN122509	SHIM	1	FIVE, .002", .005", .010" AND .015"	
36	R28782	O-RING	2		
..	AH131391	KIT	1	(INCLUDES KEYS 3, 5 AND 11)	
..	AH160785	PUMP	1	(SUB FOR AH131305) REMANUFACTURED	
..	E65288	O-RING	1		

**HYDROSTATIC DRIVE PISTON ASSEMBLY**

**(RING AND PINION)**

HP2979 -UN-01JAN94



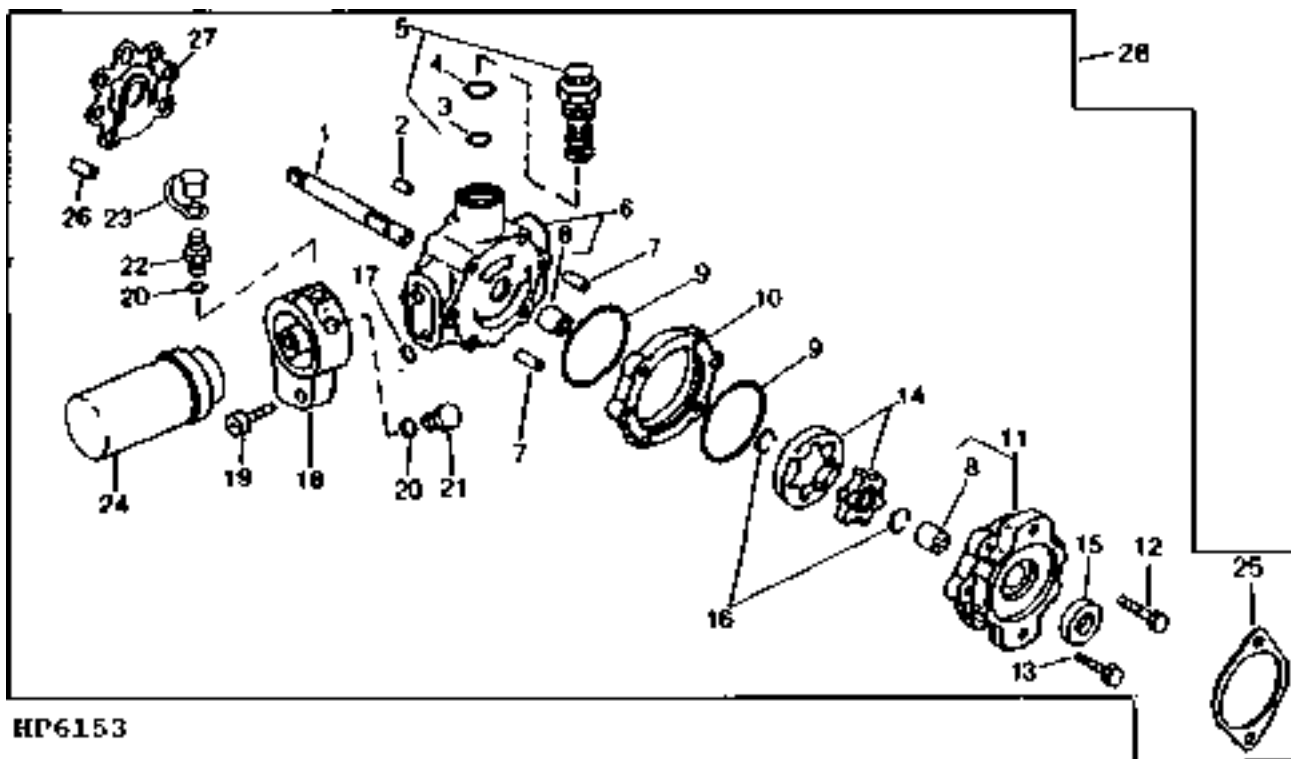
KEY	PART NO.	PART NAME	QTY	SERIAL NO.	REMARKS
1	N126600	LINK	1		
2	N126609	SNAP RING	2		
3	.....	PISTON	1	(SUB AH131172)	
4	N126599	PIN	1		
5	.....	SPRING	1	(SUB AH131172)	
6	.....	SPRING	1	(SUB AH131172)	
7	.....	SPACER	1	(SUB AH131172)	
8	.....	RETAINER	1	(SUB AH131172)	
9	.....	CAP SCREW	1	(SUB AH131172)	
10	AH131172	PISTON	1		

# 2H12

## HYDROSTATIC DRIVE CHARGE PUMP

( - 670000)

HP6153 -UN-01SEP95



**HP6153**

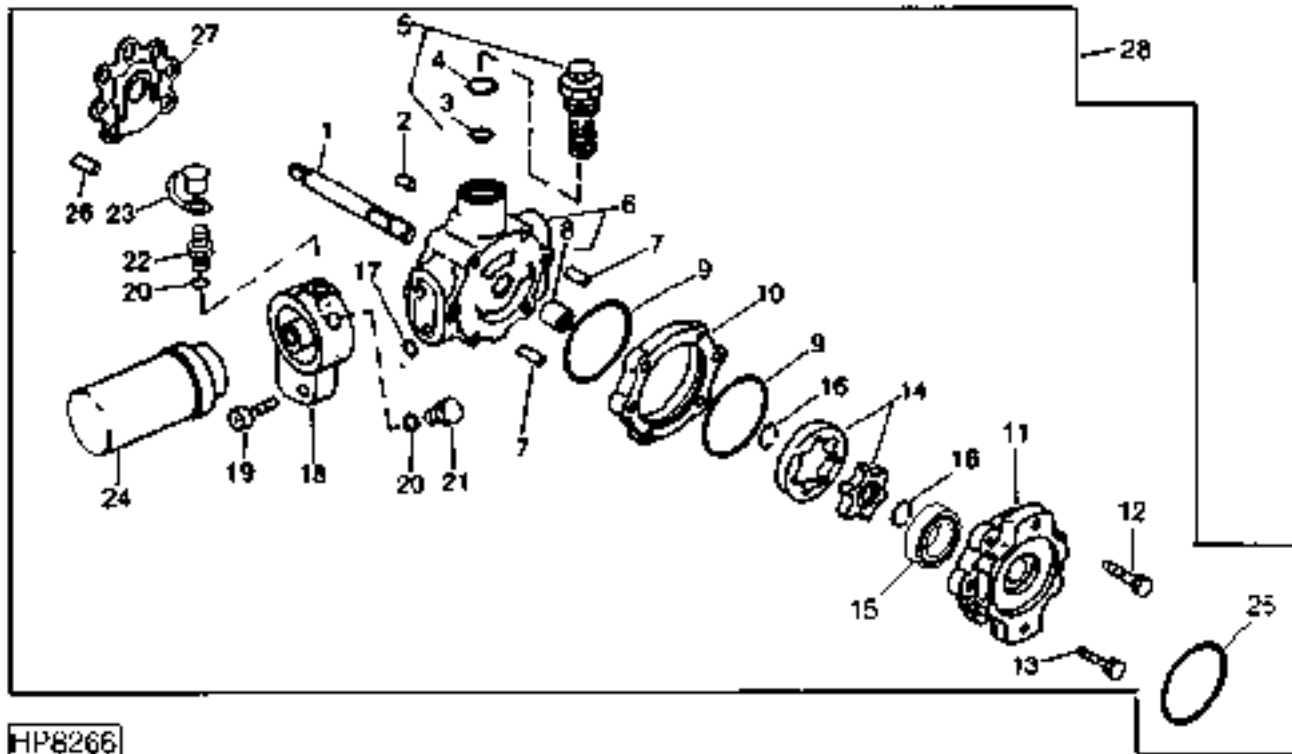
KEY	PART NO.	PART NAME	QTY	SERIAL NO.	REMARKS
1	H135505	DRIVE SHAFT	1		
2	N126638	PIN	1		
3	H63289	O-RING	1		
4	U17409	O-RING	1		
5	AN122498	RELIEF VALVE	1		
6	.....	HOUSING	1	(A)	
7	N126601	BUSHING	1	(A)	
8	.....	NEEDLE BEARING	1	(A)	
9	H135570	O-RING	1		
10	.....	SPACER	1	(A)	
11	.....	COVER	1	(A)	
12	19H1875	CAP SCREW	2	5/16" X 1-3/4"	
13	.....	SCREW	4	(A)	
14	.....	OIL PUMP	1	(A)	
15	AH131170	SEAL	1		
16	.....	SNAP RING	2	(A)	
17	P48347	O-RING	2	(SUB FOR R34404)	
18	H151087	FILTER HEAD	1		
19	19H3093	SCREW	2	3/8" X 1-3/4"	
20	R26448	O-RING	2		
21	R27218	FITTING PLUG	1		
22	AH125760	HYD. QUICK-CONNECT COUPLER	1		
23	R77175	COVER	1		
24	AH128449	HYDRAULIC FILTER	1		
25	H131121	GASKET	1		
26	H63271	PIN	2		
27	H135497	GASKET	1		
28	AH160745	HYDRAULIC PUMP	1	(SUB FOR AH131167) REMANUFACTURED (INCLUDES PARTS MARKED (A))	
	E65288	O-RING	1		

NOTE: PARTS ON THIS PAGE ARE ALSO FURNISHED AS PART OF AH160785 HYDROSTATIC DRIVE UNIT.  
(RING AND PINION FINAL DRIVE)

# 2H13

## HYDROSTATIC DRIVE CHARGE PUMP

(670000 - )  
 HP8266 -UN-19FEB99



KEY	PART NO.	PART NAME	QTY	SERIAL NO.	REMARKS
1	.....	DRIVE SHAFT	1		
2	N126638	PIN	1		
3	H63289	O-RING	1	20.295 X 2.616 MM (0.799" X 0.103")	
4	U17409	O-RING	1	26.619 X 2.946 MM (1.048" X 0.116")	
5	AN122498	RELIEF VALVE	1		
6	.....	HOUSING	1	(A)	
7	N126601	BUSHING	1	(A)	
8	.....	NEEDLE BEARING	1	(A)	
9	H135570	O-RING	1	78.994 X 1.778 MM (3.110" X 0.070")	
10	.....	SPACER	1	(A)	
11	.....	COVER	1	(A)	
12	19H1875	CAP SCREW	2	5/16" X 1-3/4"	
13	.....	SCREW	4	(A)	
14	.....	OIL PUMP	1	(A)	
15	.....	BALL BEARING	1		
16	.....	SNAP RING	2	(A)	
17	R34404	O-RING	2	17.120 X 2.616 MM (0.674" X 0.103")	
18	H151087	FILTER HEAD	1		
19	19H3093	SCREW	2	9.525 X 44.450 MM (3/8" X 1-3/4")	
20	R26448	O-RING	2	11.887 X 1.981 MM (0.468" X 5/64")	
21	R27218	FITTING PLUG	1		
22	AH125760	HYD. QUICK-CONNECT COUPLER	1		
23	R77175	COVER	1		
24	AH128449	HYDRAULIC FILTER	1		
25	E65288	O-RING	1		
26	H63271	PIN	2		
27	H135497	GASKET	1		
28	AH160745	HYDRAULIC PUMP	1	(INCLUDES PARTS MARKED (A))	

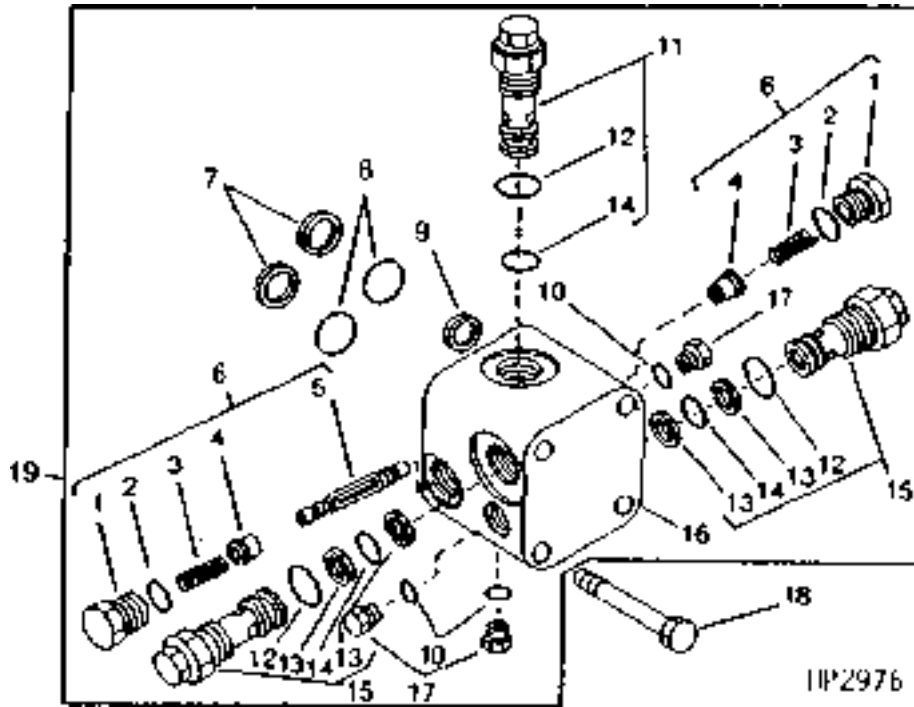
NOTE: PARTS ON THIS PAGE ARE ALSO FURNISHED AS PART OF AH160785 HYDROSTATIC DRIVE UNIT.

# 2H14

POWER TRAIN

## HYDROSTATIC MOTOR VALVE (RING AND PINION)

HP2976 -UN-01JAN94



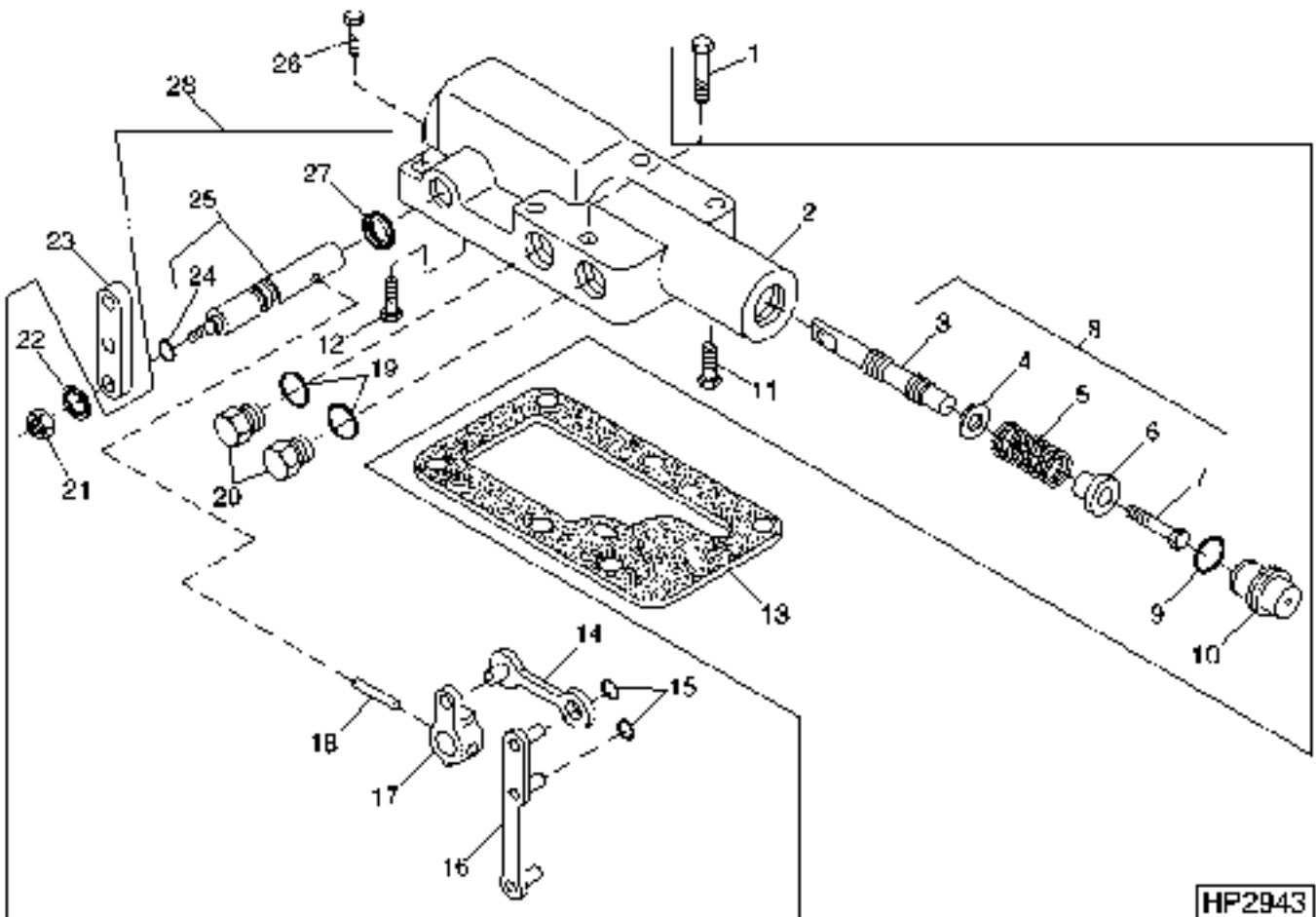
KEY	PART NO.	PART NAME	QTY	SERIAL NO.	REMARKS
1	.....	PLUG	2		(KIT AH131308)
	R27175	DRAIN PLUG	2	-29SEP7	
2	R26906	O-RING	2		
	U12547	O-RING	2	-29SEP7	
3	.....	SPRING	1		(KIT AH131308)
4	N126654	VALVE	2		SHUTTLE
5	N128541	SPOOL	1		SHUTTLE
6	AH131308	KIT	1		
7	U40729	BACK-UP RING	2		
8	N130510	O-RING	2		
9	AN272356	SEAL KIT	1		(SUB FOR N126588)
10	R28782	O-RING	3		
11	AN122497	RELIEF VALVE	1		LOW PRESSURE
12	U17409	O-RING	3		
13	H63288	RING	4		
14	H63289	O-RING	3		
15	AH129280	RELIEF VALVE	2	-29SEP7	(INCLUDES U17409, H63288 AND H63289) HIGH PRESSURE
	AH131174	RELIEF VALVE	2		HIGH PRESSURE (SUB AH131173)
16	.....	CASE	1		
17	R51031	FITTING	3		
18	19H2228	CAP SCREW	4		3/8" X 4"
19	AH141811	VALVE	1		(SUB FOR AH131173)

# 2H15

POWER TRAIN

## HYDROSTATIC DRIVE DISPLACEMENT CONTROL VALVE (RING AND PINION)

HP2943 -UN-13AUG99





# 2H16

POWER TRAIN

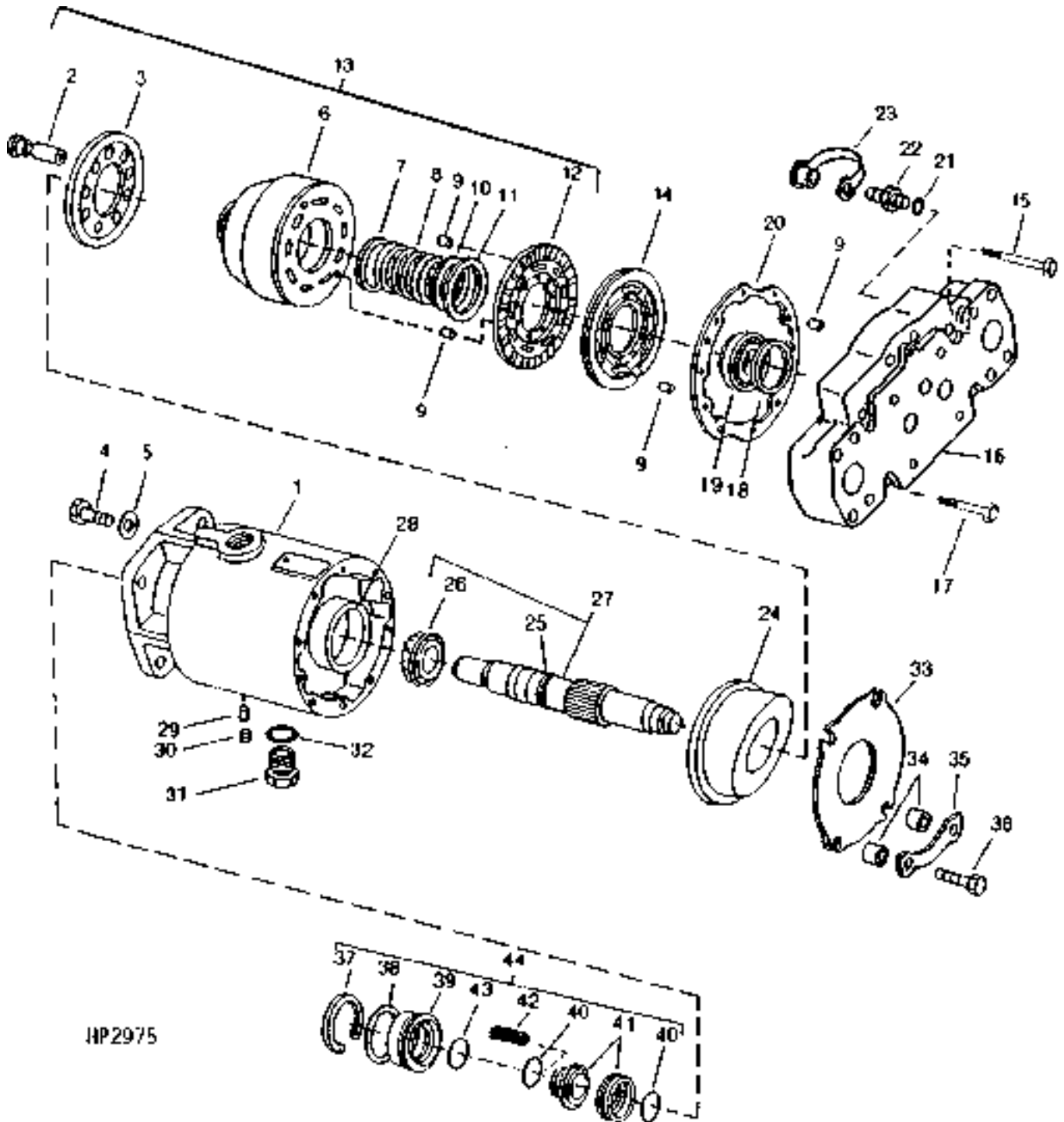
**HYDROSTATIC DRIVE DISPLACEMENT CONTROL VALVE - CONTINUED  
(RING AND PINION)**

KEY	PART NO.	PART NAME	QTY	SERIAL NO.	REMARKS
1	19H1875	CAP SCREW	2	5/16" X 1-3/4"	
2	.....	HOUSING	1	(B)	
3	.....	SPOOL	1	(A)	
4	.....	WASHER	1	(A)	
5	.....	SPRING	1	(A)	
6	.....	RETAINER	1	(A)	
7	.....	CAP SCREW	1	(A)	
8	AH129284	KIT	1	(INCLUDES PARTS MARKED (A))	
9	R27166	O-RING	1		
10	N126641	SCREW	1		
11	AN122494	BOLT	1		
12	AN122499	BOLT	1		
13	N126586	GASKET	1		
14	.....	LINK	1	(B)	
15	M48000	SNAP RING	2		
16	.....	LINK	1	(B)	
17	.....	CONNECTOR	1	(B)	
18	34H311	SPRING PIN	1	1/4" X 7/8"	
19	R26448	O-RING	2		
20	R27218	FITTING PLUG	2		
21	14H785	NUT	1	5/16"	
22	12H291	LOCK WASHER	1	5/16", (SUB 12M7032)	
	12M7032	LOCK WASHER	1	8.400 MM (0.331")	
23	H168988	LEVER	1	(SUB FOR H126583)	
24	A3917R	O-RING	1		
25	AN193084	SHAFT	1		
26	19H1905	CAP SCREW	4	5/16" X 1"	
27	H136163	SEAL	1		
28	AH131168	CONTROL VALVE	1	(INCLUDES PARTS MARKED (B))	

NOTE: PARTS ON THIS PAGE ARE ALSO FURNISHED AS PART OF AH160785 HYDROSTATIC DRIVE UNIT.  
(SINGLE REDUCTION FINAL DRIVE)

# 2H17

HYDROSTATIC DRIVE MOTOR  
(RING AND PINION)  
HP2975 -UN-01JAN94



HP2975

THIS PARTS LISTING IS CONTINUED

CTS COMBINE (NORTH AMERICAN VERSION) PC2341

(17-DEC-99)

PN=290

# 2H18

POWER TRAIN

**HYDROSTATIC DRIVE MOTOR - CONTINUED  
(RING AND PINION)**

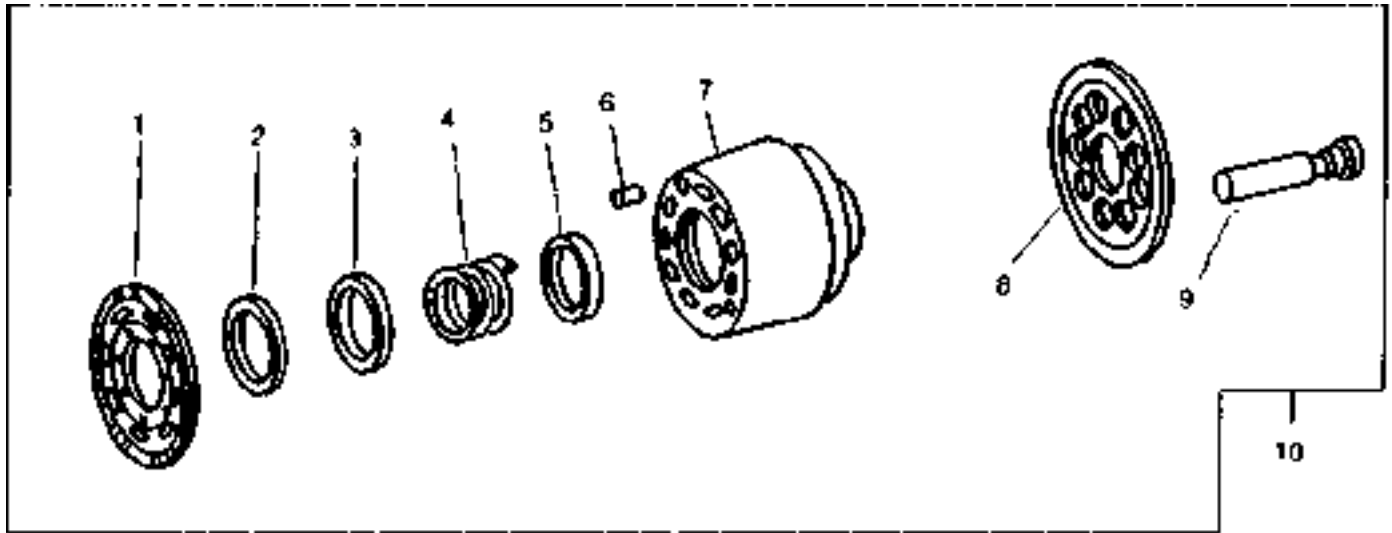
KEY	PART NO.	PART NAME	QTY	SERIAL NO.	REMARKS
1	.....	HOUSING	1	(SUB AH131310)	
2	AH131169	PISTON	1		
3	.....	RETAINER	1	(KIT AH131171)	
4	19H3192	SCREW	2	5/16" X 3"	
5	H135571	SEALING WASHER	2		
6	.....	CYLINDER BLOCK	1	(KIT AH131171)	
7	.....	WASHER	1	(KIT AH131171)	
8	.....	SPRING	1	(KIT AH131171)	
9	H63271	PIN	5		
10	.....	WASHER	1	(KIT AH131171)	
11	.....	SNAP RING	1	(KIT AH131171)	
12	H135500	PLATE	1		
13	AH131171	KIT	1		
14	H135509	PLATE	1		
15	19H1944	CAP SCREW	6	3/8" X 2-3/4"	
16	.....	COVER	1	(SUB AH131310)	
17	19H1800	CAP SCREW	2	3/8" X 1-1/2"	
18	AN122509	SHIM	1	FIVE, .002", .005", .010" AND .015"	
19	AN122507	ROLLER BEARING	1		
20	H135508	GASKET	1		
21	R26448	O-RING	2		
22	AH125760	HYD. QUICK-CONNECT COUPLER	2		
23	R77175	COVER	2		
24	.....	SWASH PLATE	1	(SUB AH131310)	
25	.....	SNAP RING	1		
26	.....	FLANGE	1		
27	AH133661	SHAFT	1		
28	JD9113	BEARING CUP	1		
29	H64813	DOWEL PIN	1		
30	15H558	PIPE PLUG	1	1/8"	
31	R27175	DRAIN PLUG	1		
32	U12547	O-RING	1		
33	.....	PLATE	1	(KIT AH131391)	
34	.....	SPACER	4	(KIT AH131391)	
35	.....	STRAP	1	(KIT AH131391)	
36	19H3053	SCREW	4	5/16" X 1"	
37	N126612	SNAP RING	1		
38	R112857	O-RING	1		
39	.....	RETAINER	1	(KIT AN193085)	
40	N196034	O-RING	2		
41	.....	SEAL KIT	1	(KIT AN193085)	
42	N191174	SPRING	6		
43	U15415	O-RING	1		
44	AN193085	SEAL KIT	1		
..	AH131391	KIT	1	(INCLUDES KEYS 33, 34 AND 35)	
..	AH131310	MOTOR	1	(INCLUDES AH131173 MOTOR VALVE) REMANUFACTURED	

# 2H19

**HYDROSTATIC DRIVE MOTOR KIT**

**(RING AND PINION)**

HP2942 -UN-01JAN94

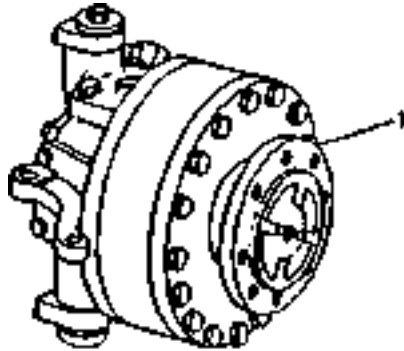


HP2942

KEY	PART NO.	PART NAME	QTY	SERIAL NO.	REMARKS
1	H135500	PLATE	1		
2	.....	SNAP RING	1	(KIT AH131171)	
3	.....	SPACER	1	(KIT AH131171)	
4	.....	SPRING	1	(KIT AH131171)	
5	.....	SPACER	1	(KIT AH131171)	
6	H63271	PIN	2		
7	.....	CYLINDER BLOCK	1	(KIT AH131171)	
8	.....	PLATE	1	(KIT AH131171)	
9	AH131169	PISTON	1	(INCLUDES 9 PISTONS)	
10	AH131171	KIT	1		

# 2H20

**CAM LOBE MOTOR**  
RXP6972 -UN-01JAN94



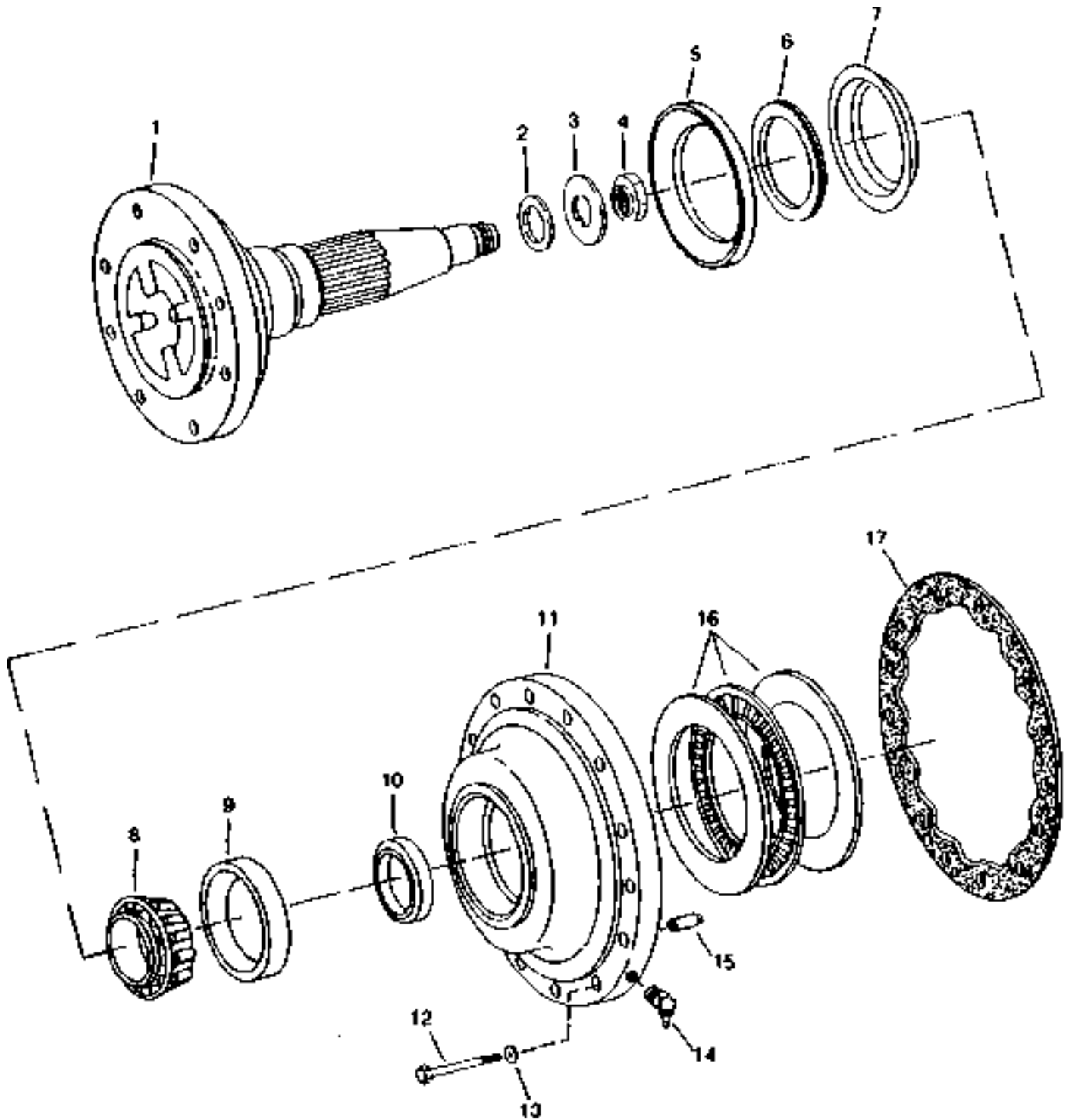
RXP6972

KEY	PART NO.	PART NAME	QTY	SERIAL NO.	REMARKS
1	RE33336	MOTOR	1	(A) R.H. COMPLETE COMPONENT	
	RE33337	MOTOR	1	(A) L.H. COMPLETE COMPONENT	
	RE33338	MOTOR	1	(B) R.H. COMPLETE COMPONENT	
	RE33339	MOTOR	1	(B) L.H. COMPLETE COMPONENT	
..	<b>BH71746</b>	<b>COMPLETE GOODS/SHIP. BUNDLE</b>	<b>1</b>	<b>4 WHEEL DRIVE CONVERSION</b>	
..	<b>BH80002</b>	<b>COMPLETE GOODS/SHIP. BUNDLE</b>	<b>1</b>	<b>4 WHEEL DRIVE CONVERSION</b>	

(A) 1200 CC  
(B) 1600 CC

# 2H21

SHAFT, OUTER COVER, BEARING AND SEALS  
CAM LOBE MOTOR  
RXP6957 -UN-01JAN94



RXP6957

# 2H22

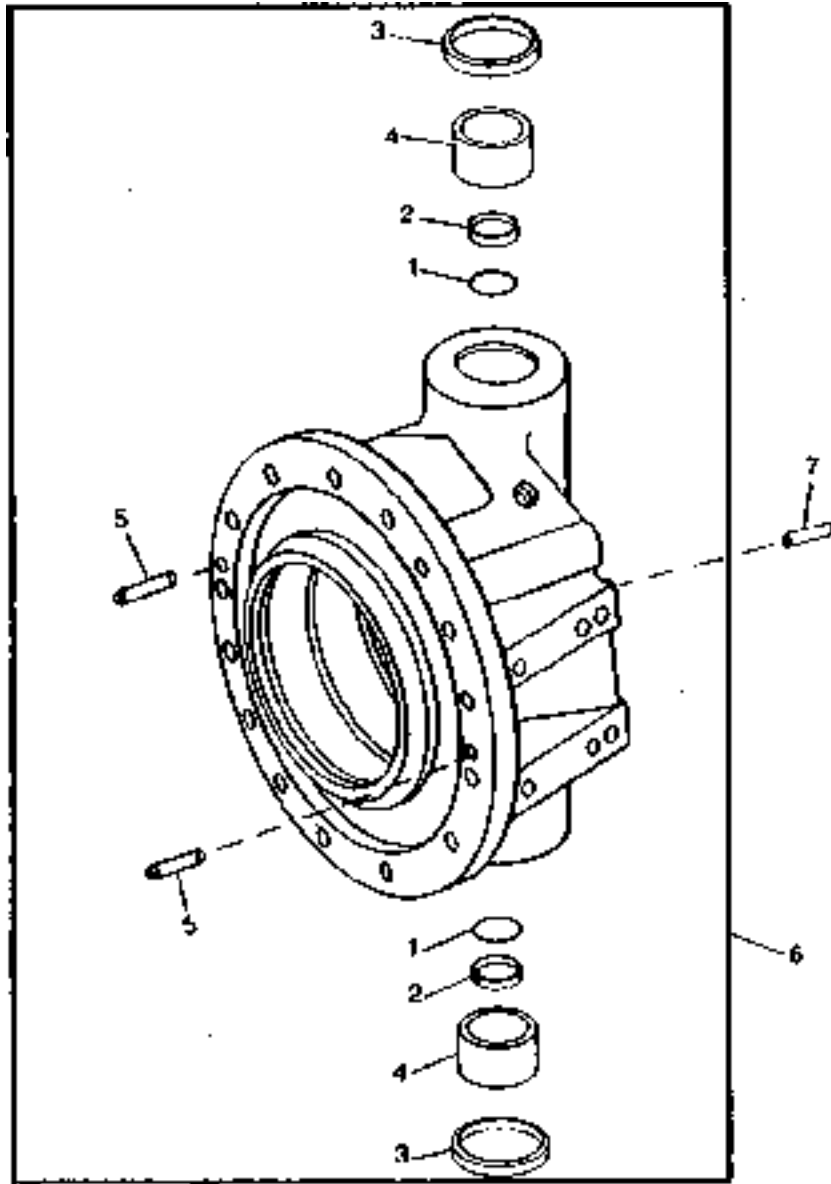
POWER TRAIN

**SHAFT, OUTER COVER, BEARING AND SEALS - CONTINUED  
CAM LOBE MOTOR**

KEY	PART NO.	PART NAME	QTY	SERIAL NO.	REMARKS
1	R111995	SPINDLE	1		(SUB FOR R88972)
2	JD9849	THRUST BEARING	1		
3	R93180	WASHER	1		
4	R92160	NUT	1		
5	R93030	SEAL	1		
6	RE31701	SEAL	1		(USE WITH R88972)
	RE49243	SEAL	1		(USE WITH R111995)
7	R57269	OIL CUP	1		
8	JD10462	BEARING CONE	1		
9	JD7448	BEARING CUP	1		
10	RE32824	SEAL	1		
11	R88829	COVER	1		
12	R89610	CAP SCREW	15		1/2" X 6"
13	R32214	WASHER	15		
14	JD7847	LUBRICATION FITTING	1		
15	R26650	DOWEL PIN	2		
16	RE68401	THRUST BEARING	1		(SUB FOR RE22642)
17	R93142	GASKET	1		

# 2H23

INNER COVER  
RXP7788 -UN-01JAN94



RXP7788



# 2H24

POWER TRAIN

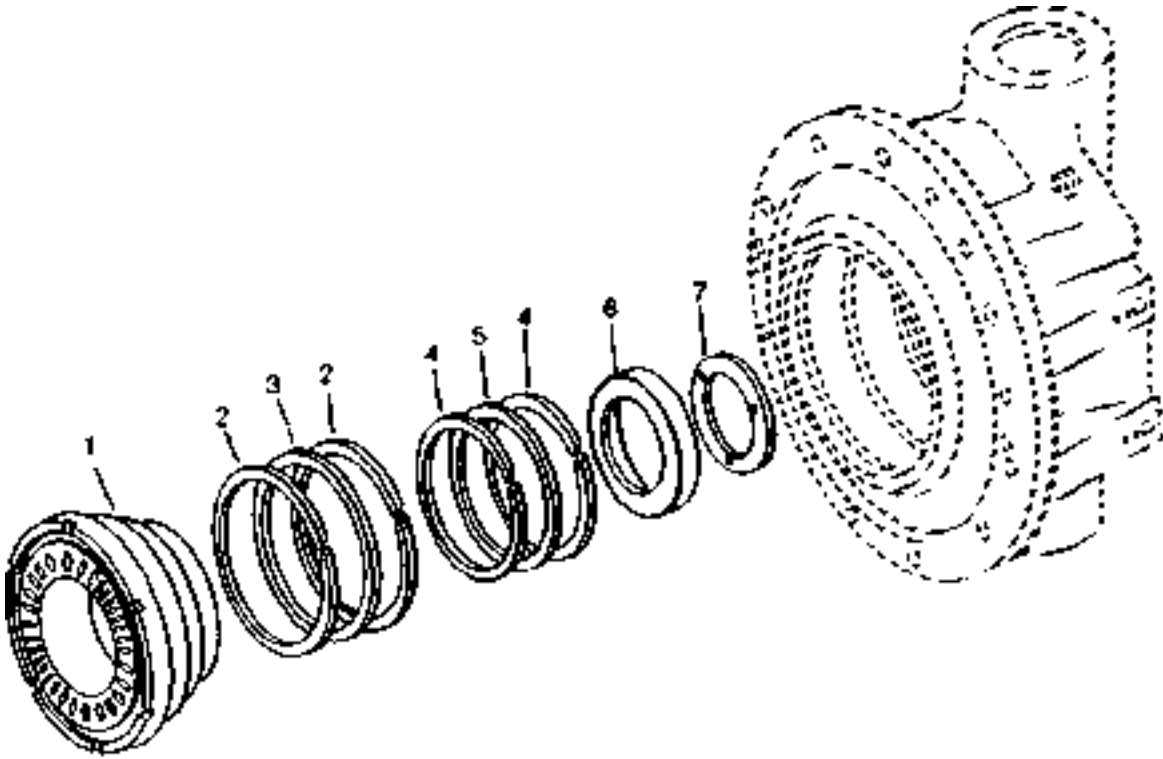
## INNER COVER - CONTINUED

KEY	PART NO.	PART NAME	QTY	SERIAL NO.	REMARKS
1	U11647	O-RING	2		
2	R73102	BACK-UP RING	2		
3	AR86539	SEAL	2		
4	R68102	BUSHING	2		
5	R26650	DOWEL PIN	2		
6	RE39131	COVER	1	(MARKED R93105)	
7	R71711	DOWEL PIN	1		

# 2H25

POWER TRAIN

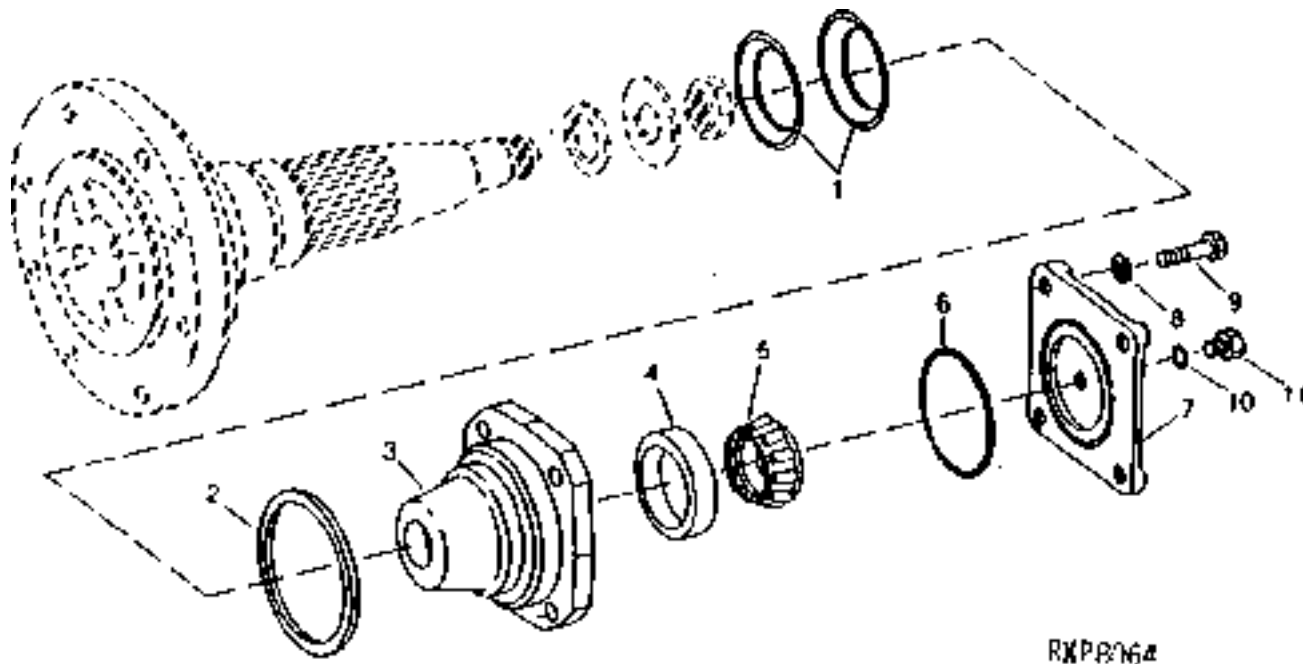
**MANIFOLD AND PACKING**  
RXP7841 -UN-01JAN94



RXP7841

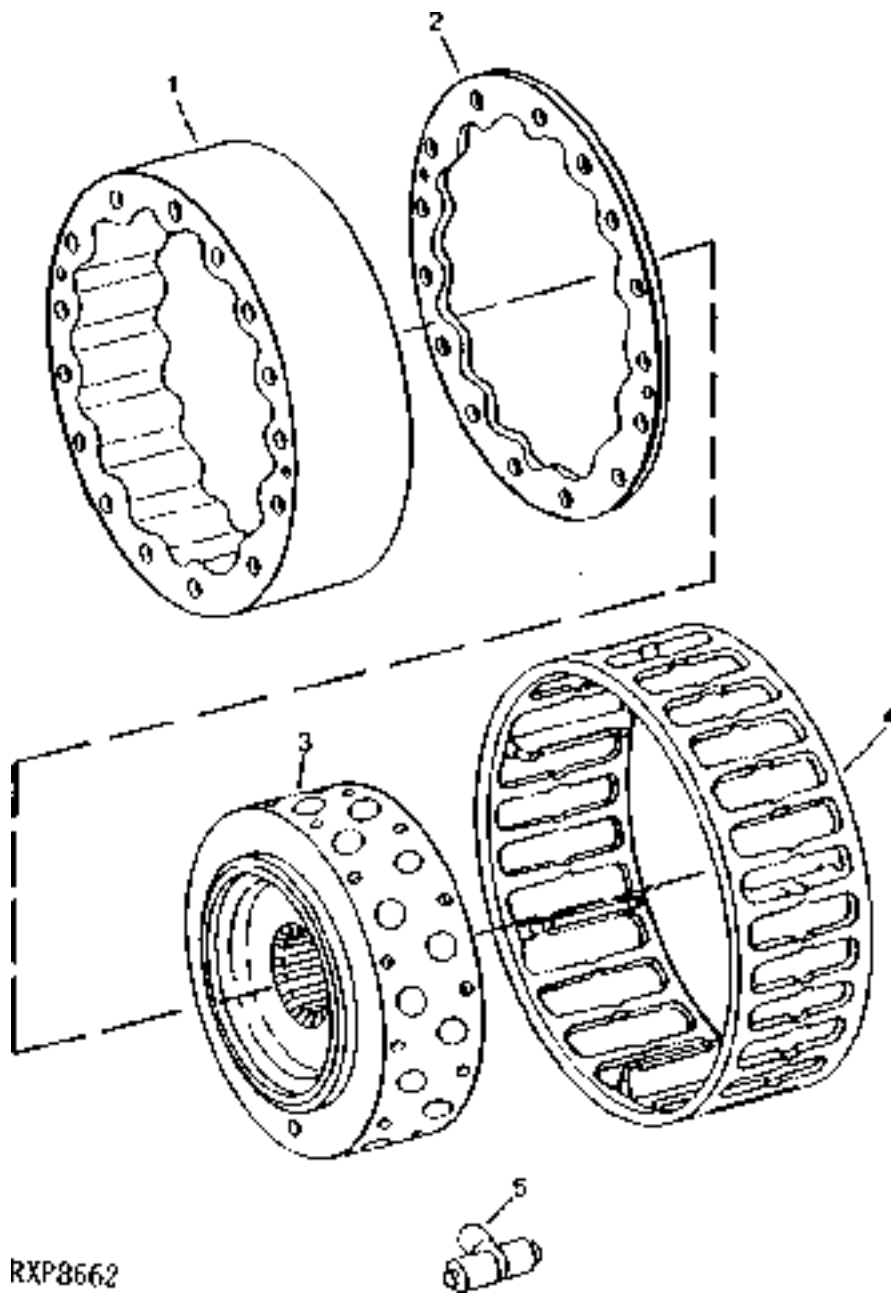
KEY	PART NO.	PART NAME	QTY	SERIAL NO.	REMARKS
1	R99377	MANIFOLD	1		
2	R74690	BACK-UP RING	2		
3	R74696	WASHER	1		
4	R74689	BACK-UP RING	2		
5	R74697	WASHER	1		
6	R74693	PACKING	1		(ALSO FURNISH R74694)
7	R74694	BACK-UP RING	1		(ALSO FURNISH R74693)

**QUILL, BEARING AND COVER**  
RXP8064 -UN-01JAN94



KEY	PART NO.	PART NAME	QTY	SERIAL NO.	REMARKS
1	R85588	WASHER	2		
2	R39876	PACKING	1		
3	R92104	BEARING HOUSING W/O BEARING	1		
4	JD9109	BEARING CUP	1		
5	JD9043	BEARING CONE	1		
6	E55758	O-RING	1		
7	R100727	COVER	1		(SUB FOR R92387)
8	R69536	WASHER	6		
9	19H3065	CAP SCREW	6		3/8" X 2", (SUB FOR 19H3267)
10	R28782	O-RING	1		
11	R51031	FITTING	1		

CARRIER, PISTONS AND CAM  
RXP8662 -UN-01JAN94



RXP8662

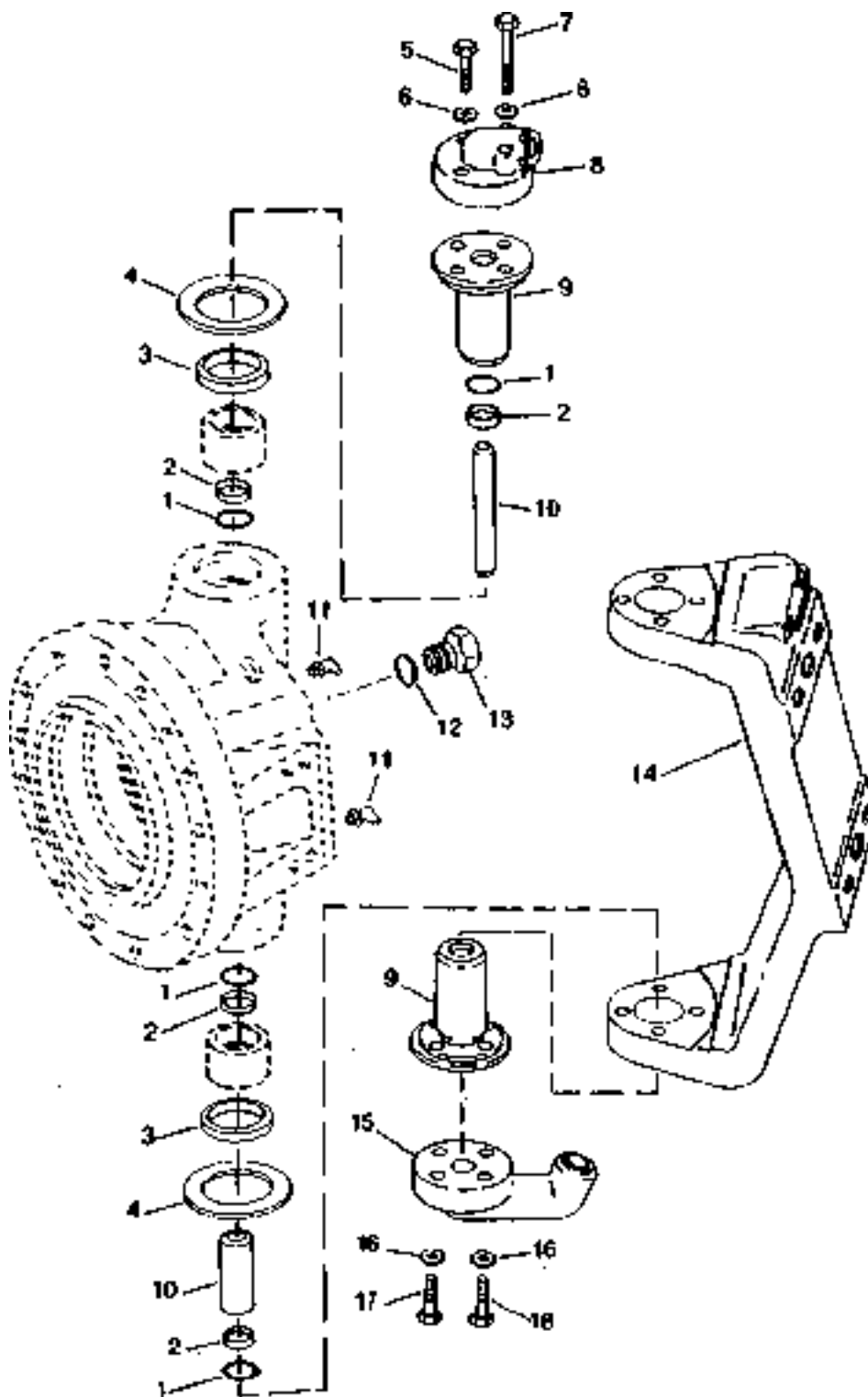
## CARRIER, PISTONS AND CAM - CONTINUED

KEY	PART NO.	PART NAME	QTY	SERIAL NO.	REMARKS
1	R92148	CAM	1		(SUB FOR R69927)
2	R93142	GASKET	1		
3	R88959	HYD. MOTOR PISTON CARRIER	1		(A)
	R88960	HYD. MOTOR PISTON CARRIER	1		(B)
4	R92979	GUIDE	1		(A)
	R89012	GUIDE	1		(B)
5	RE27837	HYD. MOTOR PISTON CARRIER	18		(A)
	RE27837	HYD. MOTOR PISTON CARRIER	24		(B)

(A) 1200 CC

(B) 1600 CC

YOKE, PIVOTS AND CAPS  
RXP7667 -UN-01JAN94

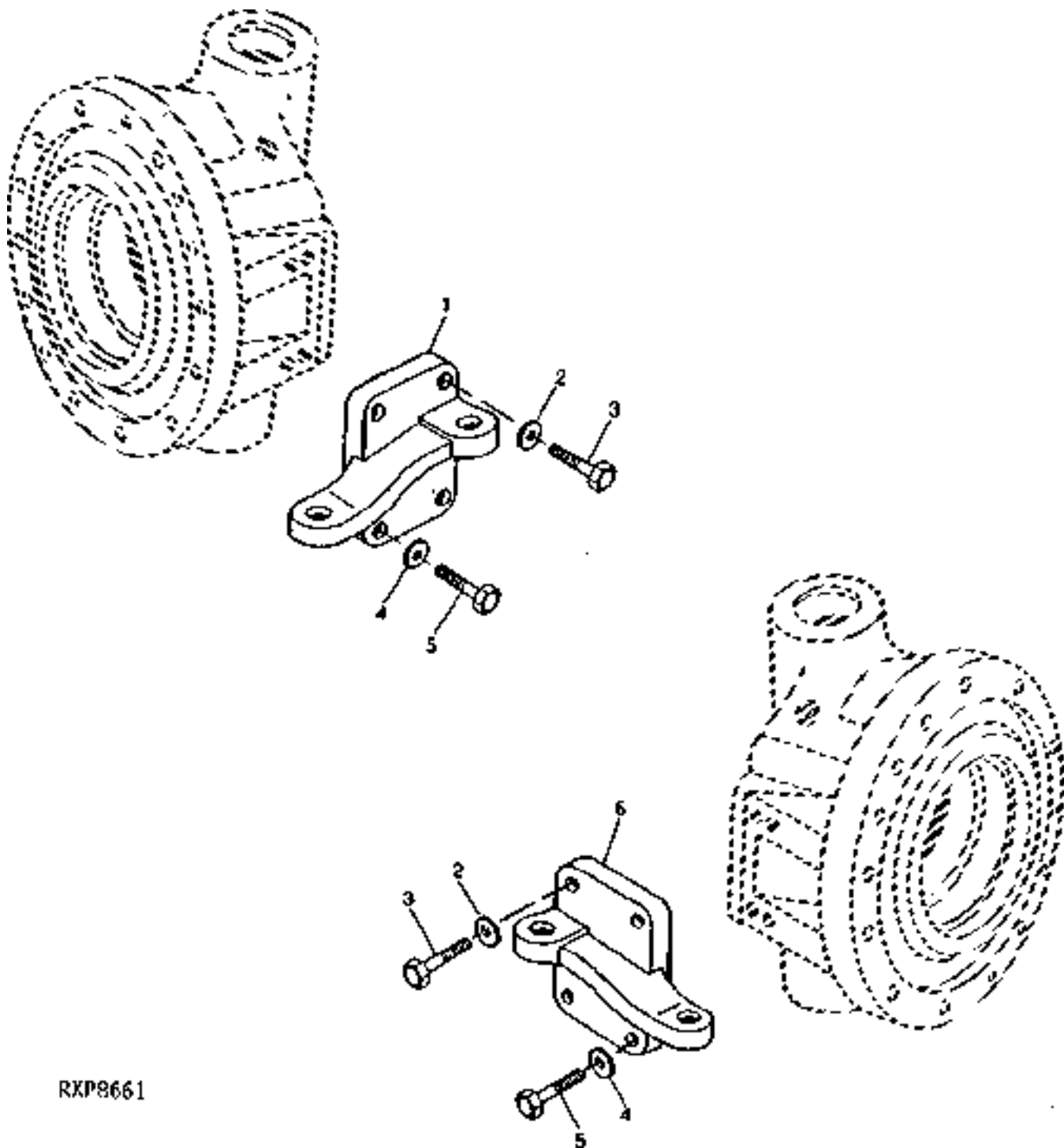


RXP7667

## YOKE, PIVOTS AND CAPS - CONTINUED

KEY	PART NO.	PART NAME	QTY	SERIAL NO.	REMARKS
1	U11647	O-RING	4		
2	R73102	BACK-UP RING	4		
3	AR86539	SEAL	2		
4	R60239	THRUST WASHER	2		
5	19H3267	CAP SCREW	2	3/8" X 1-5/8"	
6	R69536	WASHER	4		
7	19H2855	CAP SCREW	2	3/8" X 3-1/4"	
8	R85374	CAP	1		
9	R85376	PIN	2		
10	R85378	TUBE	2		
11	JD7799	LUBRICATION FITTING	3	65° X 0.840" LONG, (SUB FOR JD7847)	
12	R26375	O-RING	1		
13	R39112	FITTING	1		
14	R89015	YOKE	1		
15	R85373	CAP	1		
16	R69536	WASHER	4	10.500 X 18.500 X 3 MM	
17	19H3267	CAP SCREW	2	3/8" X 1-5/8"	
18	19H3031	CAP SCREW	2	3/8" X 2-1/2"	
..	H75423	PIN	2	22.073 X 19.812 MM (0.869" X 0.780")	HARDWARE FOR KEY 14
..	H144293	WASHER	4	20 X 45 X 10 MM (0.787" X 1.772" X 0.394")	HARDWARE FOR KEY 14
..	19H3126	CAP SCREW	4	19.050 X 57.150 MM (3/4" X 2-1/4")	HARDWARE FOR KEY 14

**STEERING ARMS**  
RXP8661 -UN-01JAN94

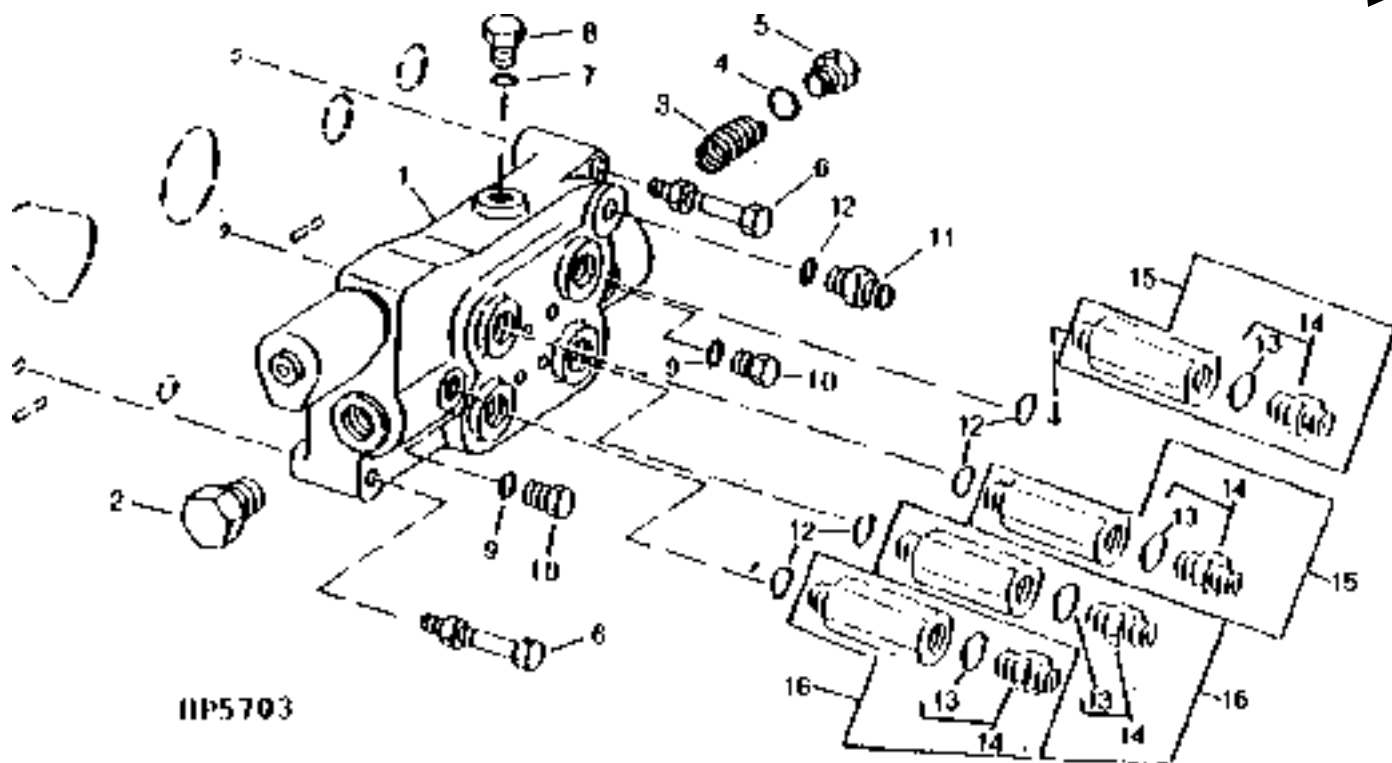




## STEERING ARMS - CONTINUED

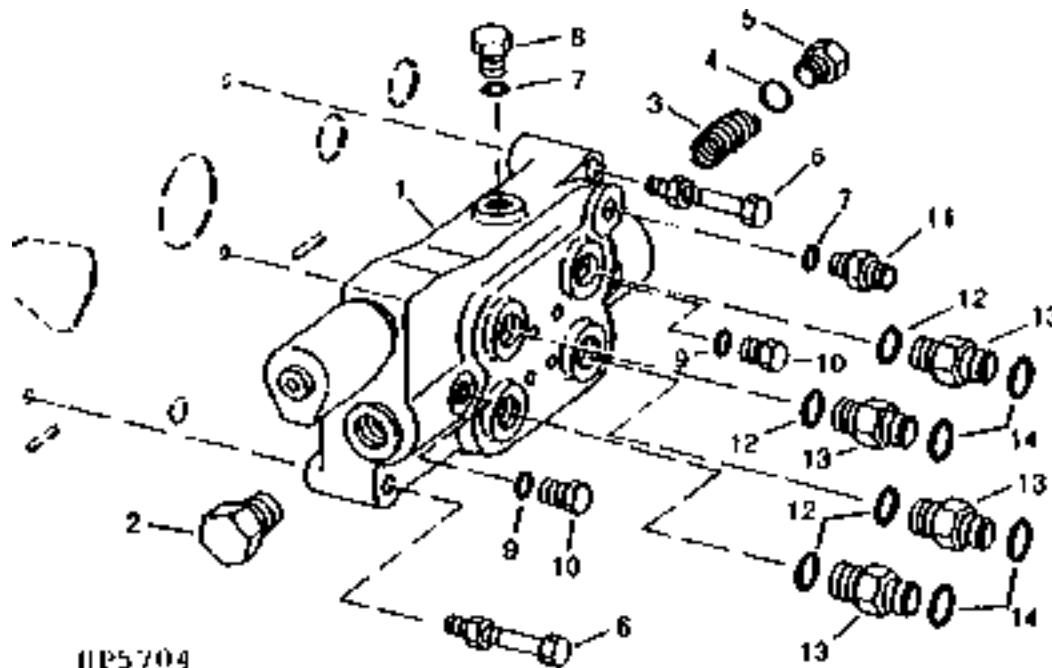
KEY	PART NO.	PART NAME	QTY	SERIAL NO.	REMARKS
1	R92977	STEERING ARM	1		L.H.
2	U41353	WASHER	2		
3	19H2710	CAP SCREW	2		5/8" X 1-3/4"
4	R32214	WASHER	2		
5	19H2993	CAP SCREW	2		1/2" X 1-1/2"
6	R92978	STEERING ARM	1		R.H.

**CONTROL VALVE  
(4-WHEEL DRIVE)**  
(-655400)  
HP5703 -UN-01JAN94



KEY	PART NO.	PART NAME	QTY	SERIAL NO.	REMARKS
1	AH128672	VALVE	1		CONTROL WITH SOLENOID
2	AU40993	FITTING	1		
3	R45182	SPRING	1		
4	R31674	O-RING	1		
5	AH84695	FITTING	1		
6	19M7803	SCREW	3	M8 X 70	
	14M7298	FLANGE NUT	3	M8	
7	R26448	O-RING	2		
8	R27218	FITTING PLUG	1		
9	R28782	O-RING	2		
10	R51031	FITTING	2		
11	38H1168	ADAPTER	1		
12	U12547	O-RING	4		
13	H84318	O-RING	4		
14	AH140433	FITTING	4		INCLUDES H84318 O-RING
15	AH130950	CONTROL VALVE	2		REVERSE (WITH 1200 CC REAR MOTOR) PORTS "B" AND "D"
16	AH121150	CONTROL VALVE	2		FORWARD (WITH 1200 CC REAR MOTOR) PORTS "A" AND "C"
..	<b>BH79903</b>	<b>COMPLETE GOODS/SHIP. BUNDLE</b>	1		<b>VALVE ASSEMBLY AND AXLE HOSES</b>
..	<b>BH71746</b>	<b>COMPLETE GOODS/SHIP. BUNDLE</b>	1		<b>4 WHEEL DRIVE CONVERSION</b>
..	<b>BH80002</b>	<b>COMPLETE GOODS/SHIP. BUNDLE</b>	1		<b>4 WHEEL DRIVE CONVERSION</b>

**CONTROL VALVE**  
**(4-WHEEL DRIVE) (655401- )**  
 HP5704 -UN-01JAN94

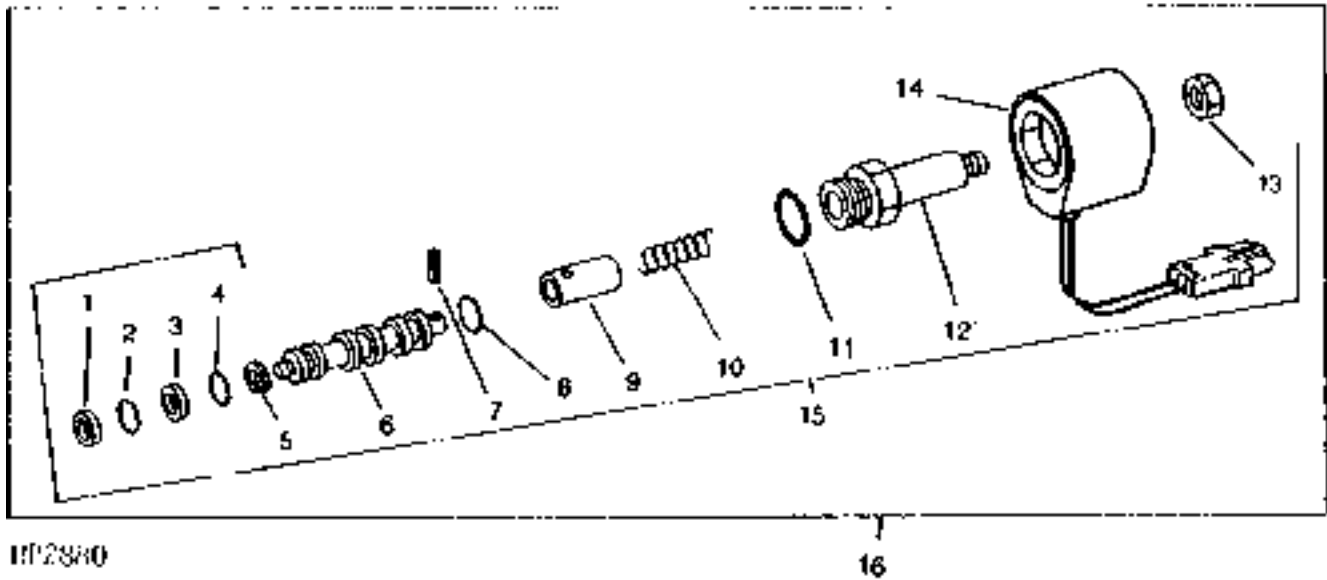


KEY	PART NO.	PART NAME	QTY	SERIAL NO.	REMARKS
1	AH128672	VALVE	1		CONTROL WITH SOLENOID
2	AU40993	FITTING	1		
3	R45182	SPRING	1		
4	R31674	O-RING	1		
5	AH84695	FITTING	1		
6	14M7298	FLANGE NUT	3	M8	
	19M7803	SCREW	3	M8 X 70	
7	R26448	O-RING	2		
8	R27218	FITTING PLUG	1		
9	R28782	O-RING	2		
10	R51031	FITTING	2		
11	38H1168	ADAPTER	1		
12	U12547	O-RING	4		
13	38H1329	ADAPTER	4		
14	T77932	O-RING	4		
..	<b>BH79903</b>	<b>COMPLETE GOODS/SHIP. BUNDLE</b>	1		<b>VALVE ASSEMBLY AND AXLE HOSES</b>
..	<b>BH71746</b>	<b>COMPLETE GOODS/SHIP. BUNDLE</b>	1		<b>4 WHEEL DRIVE CONVERSION</b>
..	<b>BH80002</b>	<b>COMPLETE GOODS/SHIP. BUNDLE</b>	1		<b>4 WHEEL DRIVE CONVERSION</b>

**CONTROL VALVE SOLENOID**

**(4-WHEEL DRIVE)**

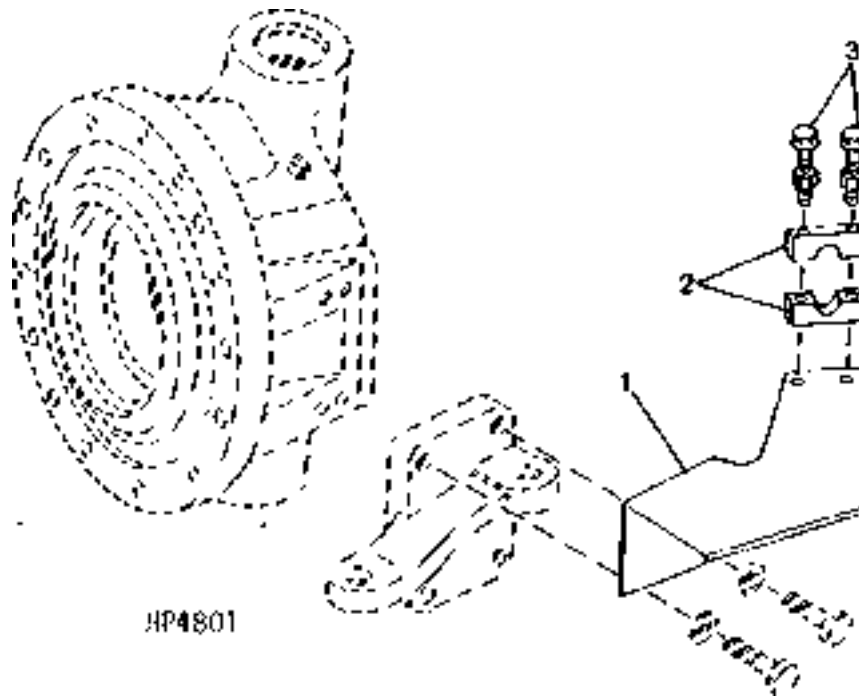
HP2880 -UN-01JAN94



KEY	PART NO.	PART NAME	QTY	SERIAL NO.	REMARKS
1	R42926	BACK-UP RING	1		
2	T77857	O-RING	1		
3	R45187	BACK-UP RING	1		
4	R45638	O-RING	1		
5	R46701	SNAP RING	1		
6	.....	VALVE SPOOL	1		(KIT AH128655 OR AH130949)
7	34H227	SPRING PIN	1		3/32" X 1/2"
8	N31772	O-RING	1		
9	.....	PLUNGER	1		(KIT AH128655 OR AH130949)
10	R64698	SPRING	1		
11	U12547	O-RING	1		
12	.....	GUIDE	1		(KIT AH128655 OR AH130949)
13	M63707	LOCK NUT	1		
14	AH128654	ELECTRICAL COIL	1		
	R78053	PIN CONTACT CONNECTOR BODY	1		(PKG OF 3)
	R78059	ELECTRICAL PLUG	1		(PKG OF 40)
	R78061	PIN CONTACT	1		(PKG OF 40)
15	AH130949	SOLENOID VALVE	1		
16	AH128655	SOLENOID VALVE	1		
..	<b>BH71746</b>	<b>COMPLETE GOODS/SHIP. BUNDLE</b>	<b>1</b>		<b>4 WHEEL DRIVE CONVERSION</b>
..	<b>BH80002</b>	<b>COMPLETE GOODS/SHIP. BUNDLE</b>	<b>1</b>		<b>4 WHEEL DRIVE CONVERSION</b>

**MUD SHIELDS - POWERED REAR WHEELS**

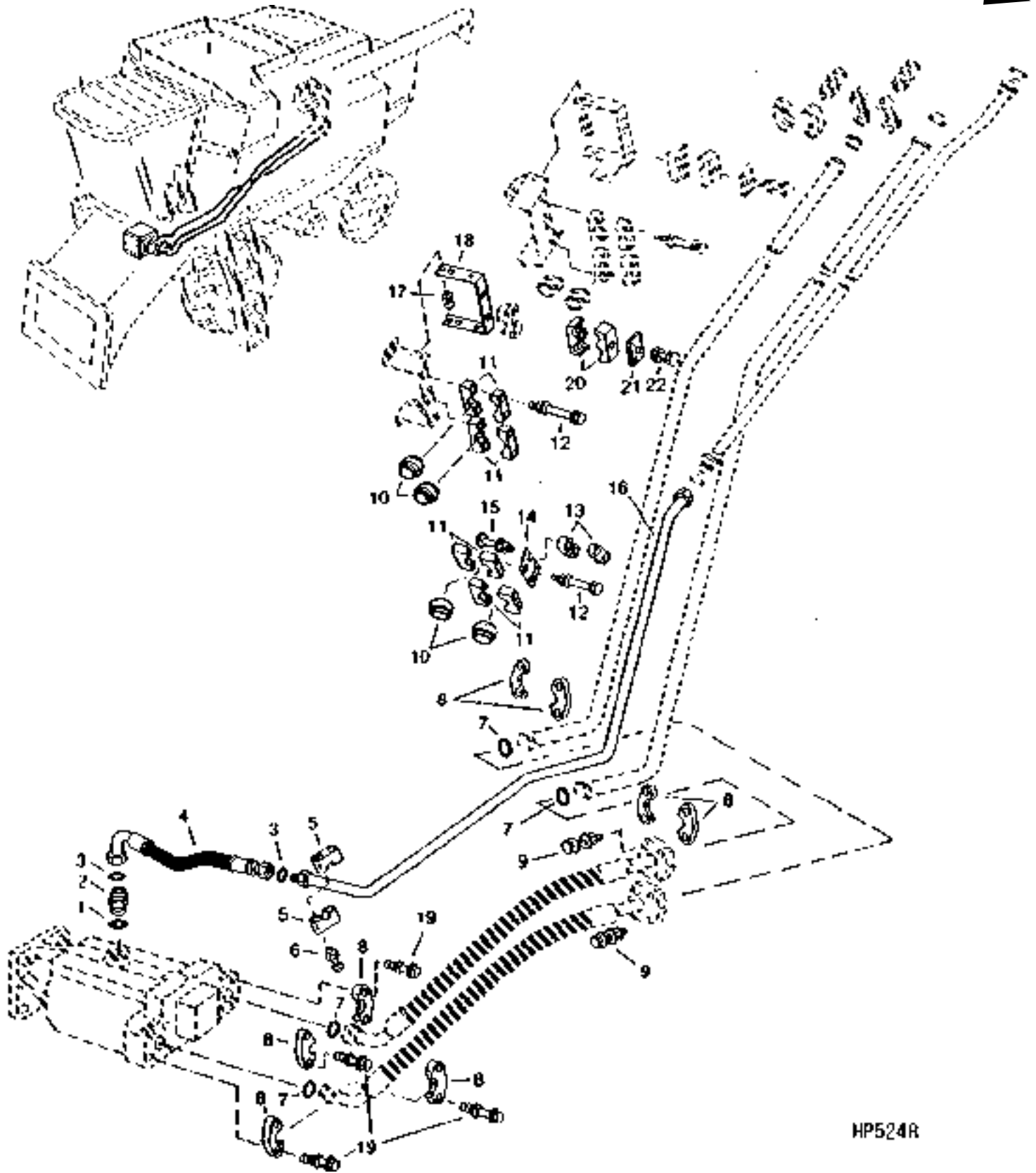
HP4801 -UN-01JAN94



HP4801

KEY	PART NO.	PART NAME	QTY	SERIAL NO.	REMARKS
1	H146088	SHIELD	1		
	H146089	SHIELD	1		
2	H145247	HALF CLAMP	2		
3	19M7801	SCREW	2	M8 X 60	
	14M7298	FLANGE NUT	1	M8	

HYDROSTATIC DRIVE OIL LINES AND HOSES, LOWER  
(TWO AND FOUR WHEEL DRIVE)  
(-655400)  
HP5248 -UN-01JAN94

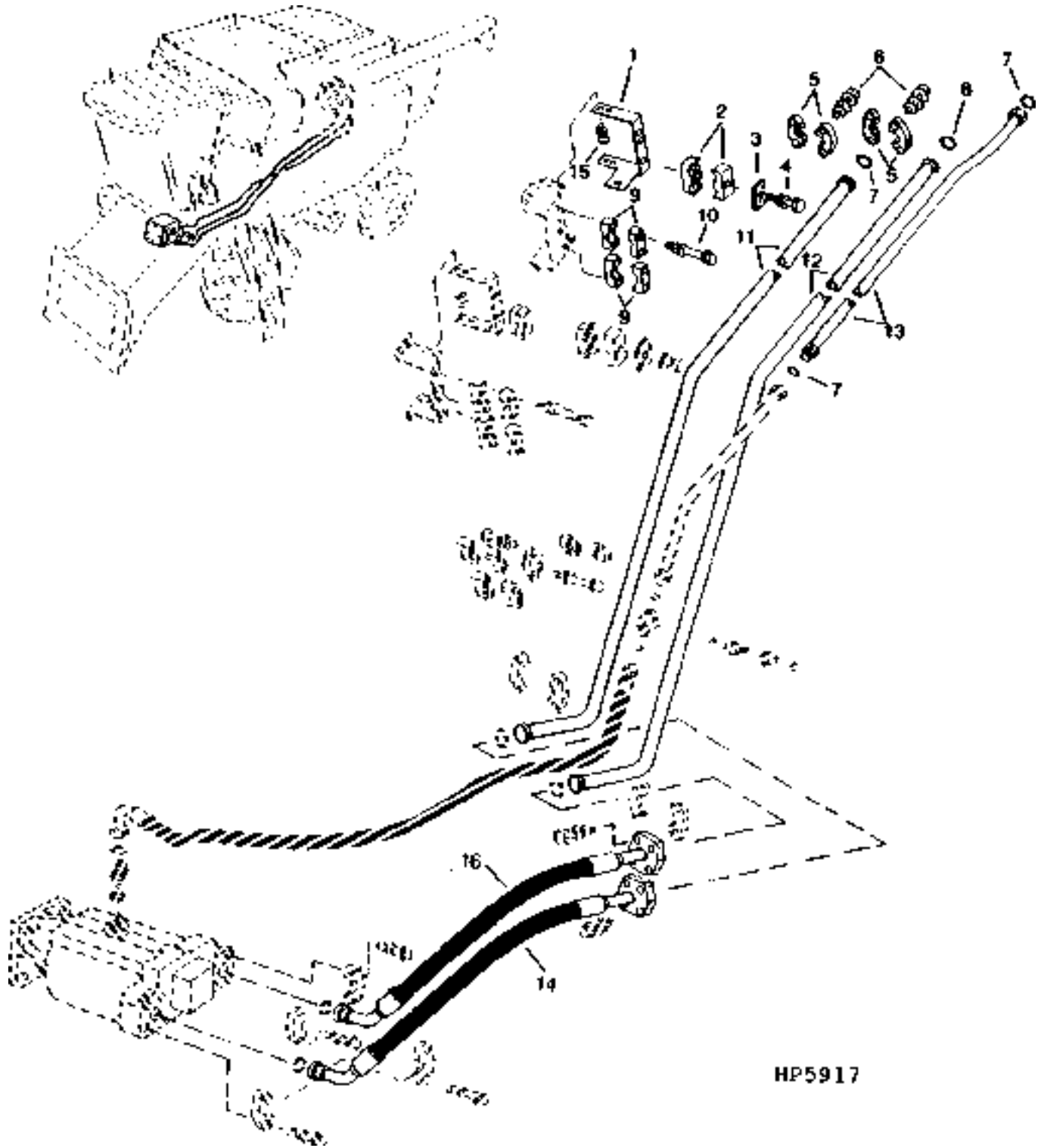


HP524R

HYDROSTATIC DRIVE OIL LINES AND HOSES, LOWER - CONTINUED  
(TWO AND FOUR WHEEL DRIVE)  
( -655400)

KEY	PART NO.	PART NAME	QTY	SERIAL NO.	REMARKS
1	U12547	O-RING	1		
2	38H1163	ADAPTER	1		
3	T77858	O-RING	4		
4	AH128997	HYDRAULIC HOSE	1	1-3/16" X 460 MM (18") X 1-3/16" (CASE DRAIN)	
5	H114876	CLAMP	2		
6	03M7216	BOLT	2	M8 X 50 (RD. HEAD)	
	14M7298	FLANGE NUT	2	M8	
7	T78313	O-RING	6		
8	H122182	EXTERNAL HALF COUPLER	8		
9	19H3465	CAP SCREW	8	7/16" X 3", (SUB FOR 19M7809)	
	T105740	WASHER	16	11.400 X 25.400 X 2.286 MM, (SUB FOR 24M7296 AND 24M7028)	
	14H1047	NUT	8	7/16", (SUB FOR 14M7296) WASHER MUST BE UNDER NUT FLANGE	
10	H126582	ISOLATOR	6	(RUBBER) - NOT REQ WITH H140180	
11	H140180	CLAMP	12	H126582 NOT REQUIRED WITH THIS CLAMP	
12	19M8039	SCREW	12	M8 X 80	
	14M7396	LOCK NUT	12	M8	
13	H114876	CLAMP	2		
14	H131155	BRACKET	1		
15	03M7216	BOLT	2	M8 X 50 (RD. HEAD)	
	14M7298	FLANGE NUT	2	M8	
16	AH135029	HYDRAULIC LINE	1	(CASE DRAIN)	
17	03M7184	BOLT	8	M8 X 20 (RD. HEAD)	
	14M7396	LOCK NUT	8	M8	
18	H131115	BRACKET	1		
19	19H1740	CAP SCREW	8	7/16" X 1-3/4"	
	12H293	LOCK WASHER	8	7/16"	
20	H114897	CLAMP	2		
21	H112567	PLATE	1		
22	19M7913	SCREW	1	M8 X 90	
	14M7298	FLANGE NUT	1	M8	

HYDROSTATIC DRIVE OIL LINES AND HOSES, LOWER  
(TWO AND FOUR WHEEL DRIVE)  
(-655400)  
HP5917 -UN-14FEB95



HP5917

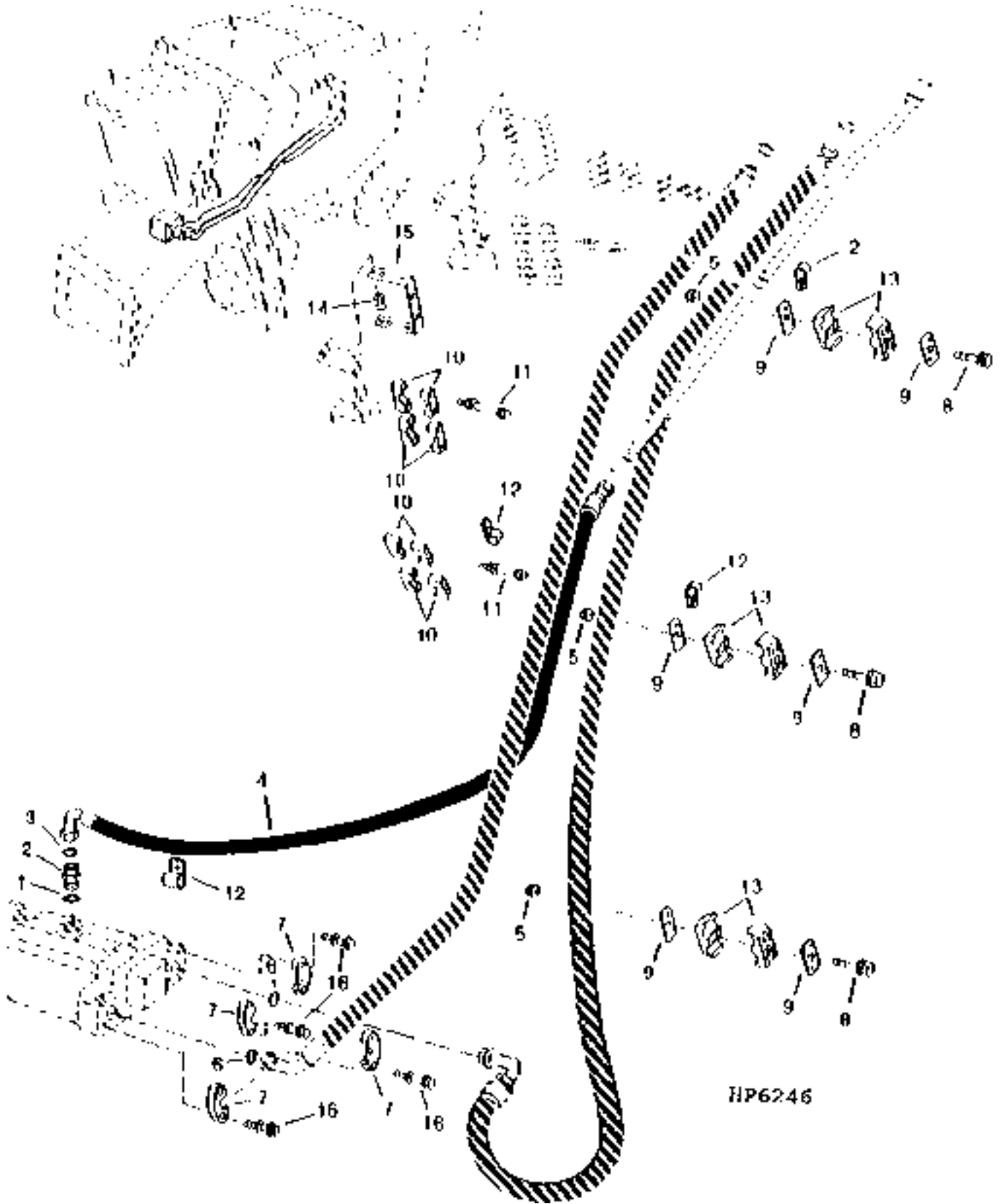


HYDROSTATIC DRIVE OIL LINES AND HOSES, LOWER - CONTINUED  
 (TWO AND FOUR WHEEL DRIVE)  
 ( -655400)

KEY	PART NO.	PART NAME	QTY	SERIAL NO.	REMARKS
1	H133659	BRACKET	1		
2	H111730	CLAMP	2		
3	H112567	PLATE	1		
4	19M7979	SCREW	1	M8 X 55	
	14M7298	FLANGE NUT	1	M8	
5	H122182	EXTERNAL HALF COUPLER	4		
6	19H3465	CAP SCREW	8	7/16" X 3"	
	T105740	WASHER	16		
	14H1047	NUT	8	7/16"	
7	T77858	O-RING	2		
8	T78313	O-RING	2		
9	H140180	CLAMP	4		
10	19M8039	SCREW	4	M8 X 80	
11	AH134972	OIL LINE	1		REVERSE PRESSURE
12	AH134971	OIL LINE	1		FORWARD PRESSURE
13	AH127881	OIL LINE	1		CASE DRAIN
14	AH141546	HOSE	1		(SUB FOR AH138171) REVERSE PRESSURE TO FRONT PORT ON MOTOR
15	03M7184	BOLT	4	M8 X 20	
	14M7396	LOCK NUT	4	M8	
16	AH141547	HYDRAULIC HOSE	1		(SUB FOR AH138172) FORWARD PRESSURE TO REAR PORT ON MOTOR

HYDROSTATIC DRIVE OIL LINES AND HOSES, LOWER  
(TWO WHEEL DRIVE)

(655401- )  
HP6246 -UN-04JAN96



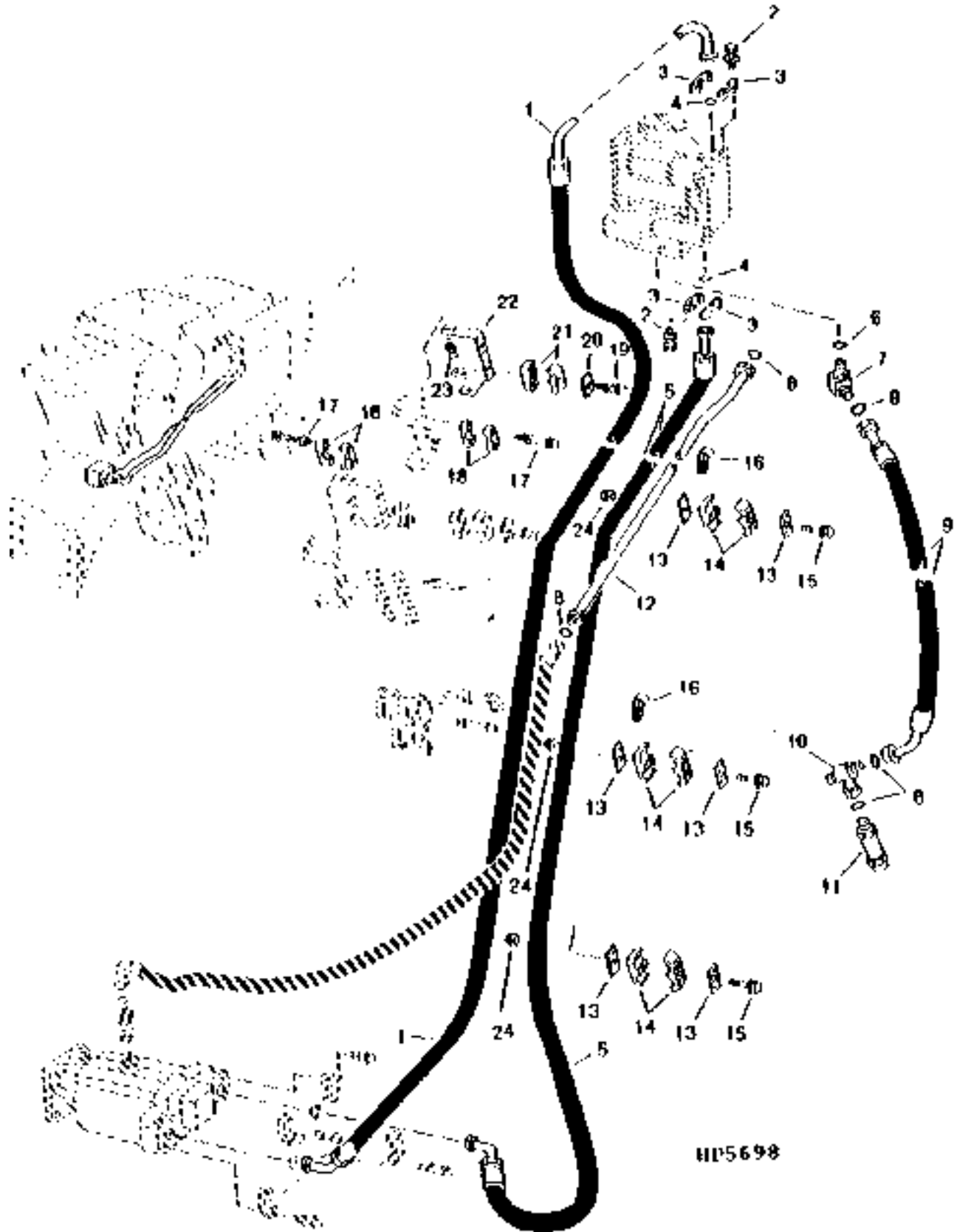
HP6246

HYDROSTATIC DRIVE OIL LINES AND HOSES, LOWER - CONTINUED  
(TWO WHEEL DRIVE)  
(655401- )

KEY	PART NO.	PART NAME	QTY	SERIAL NO.	REMARKS
1	U12547	O-RING	1		23.470 X 2.946 MM (0.924" X 0.116")
2	38H1163	ADAPTER	1		
3	T77858	O-RING	4		18.771 X 1.778 MM (0.739" X 0.070")
4	AH142611	HYDRAULIC HOSE	1		1-3/16" X 1 924 MM (75-3/4") X 1-3/16" (CASE DRAIN)
5	14M7298	FLANGE NUT	3		M8
6	T78313	O-RING	6		32.918 X 3.531 MM (1.296" X 0.139")
7	H122182	EXTERNAL HALF COUPLER	8		
8	19M7970	SCREW	3		M8 X 100
9	H114901	PLATE	6		
10	H150223	HOSE CLAMP	8		
11	19M8039	SCREW	13		M8 X 80
	14M7396	LOCK NUT	13		M8
12	T72393	CLAMP	4		
13	H150222	HOSE CLAMP	6		(RD. HEAD)
14	03M7184	BOLT	8		M8 X 20 (RD. HEAD)
	14M7396	LOCK NUT	8		M8
15	H131115	BRACKET	1		
16	19M7913	SCREW	8		M8 X 90
	14M7298	FLANGE NUT	8		M8
17	19H1740	CAP SCREW	8		11.125 X 44.450 MM
	12H293	LOCK WASHER	8		11.113 MM

HYDROSTATIC DRIVE OIL LINES AND HOSES, LOWER  
(TWO WHEEL DRIVE)

(655401- )  
HP5698 -UN-01JAN94

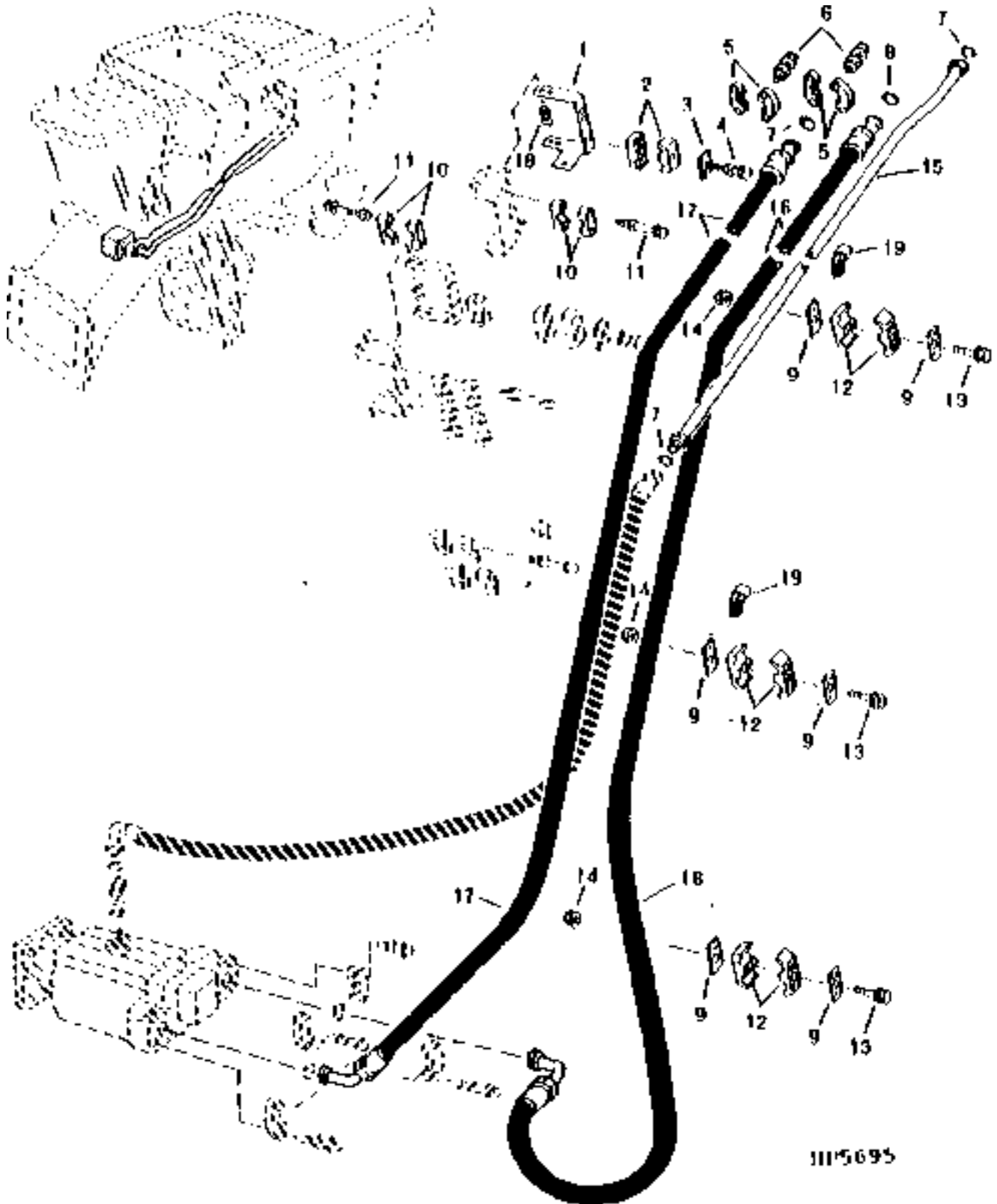


HYDROSTATIC DRIVE OIL LINES AND HOSES, LOWER - CONTINUED  
(TWO WHEEL DRIVE)  
(655401- )

KEY	PART NO.	PART NAME	QTY	SERIAL NO.	REMARKS
1	AH143035	HYDRAULIC HOSE	1		1" X 5 000 MM (196-3/4") X 1", (REVERSE PRESSURE)
2	19H1740	CAP SCREW	8		7/16" X 1-3/4"
	12H293	LOCK WASHER	8		7/16"
3	H122182	EXTERNAL HALF COUPLER	4		
4	T78313	O-RING	2		32.918 X 3.531 MM
5	AH143352	HYDRAULIC HOSE	4		1" X 5 175 MM (203-3/4") X 1", (FORWARD PRESSURE)
6	U12547	O-RING	1		0.924" X 0.116"
7	38H1007	ELBOW FITTING	1		
8	T77858	O-RING	4		18.771 X 1.778 MM (0.739" X 0.070")
9	AH124008	HYDRAULIC HOSE	1		1-3/16" X 725 MM (28-1/2") X 1-3/16", (UPPER DRAIN HOSE)
10	38H1041	TEE FITTING	1		
11	AH118337	CHECK VALVE	1		
12	AH127881	OIL LINE	1		
13	H114901	PLATE	6		
14	H150222	HOSE CLAMP	6		
15	19M7970	SCREW	3	M8 X 100	
16	T72393	CLAMP	2		
17	19M8039	SCREW	5	M8 X 80	
	14M7298	FLANGE NUT	5	M8	
18	H150223	HOSE CLAMP	4		
19	19M7979	SCREW	1	M8 X 55	
	14M7298	FLANGE NUT	2	M8	
20	H112567	PLATE	1		
21	H111730	CLAMP	2		
22	H133659	BRACKET	1		
23	03M7184	BOLT	4	M8 X 20	
	14M7396	LOCK NUT	4	M8	
24	14M7298	FLANGE NUT	3	M8	

## HYDROSTATIC DRIVE OIL LINES AND HOSES, LOWER (FOUR WHEEL DRIVE)

(655401- )  
HP5695 -UN-01JAN94



HP5695

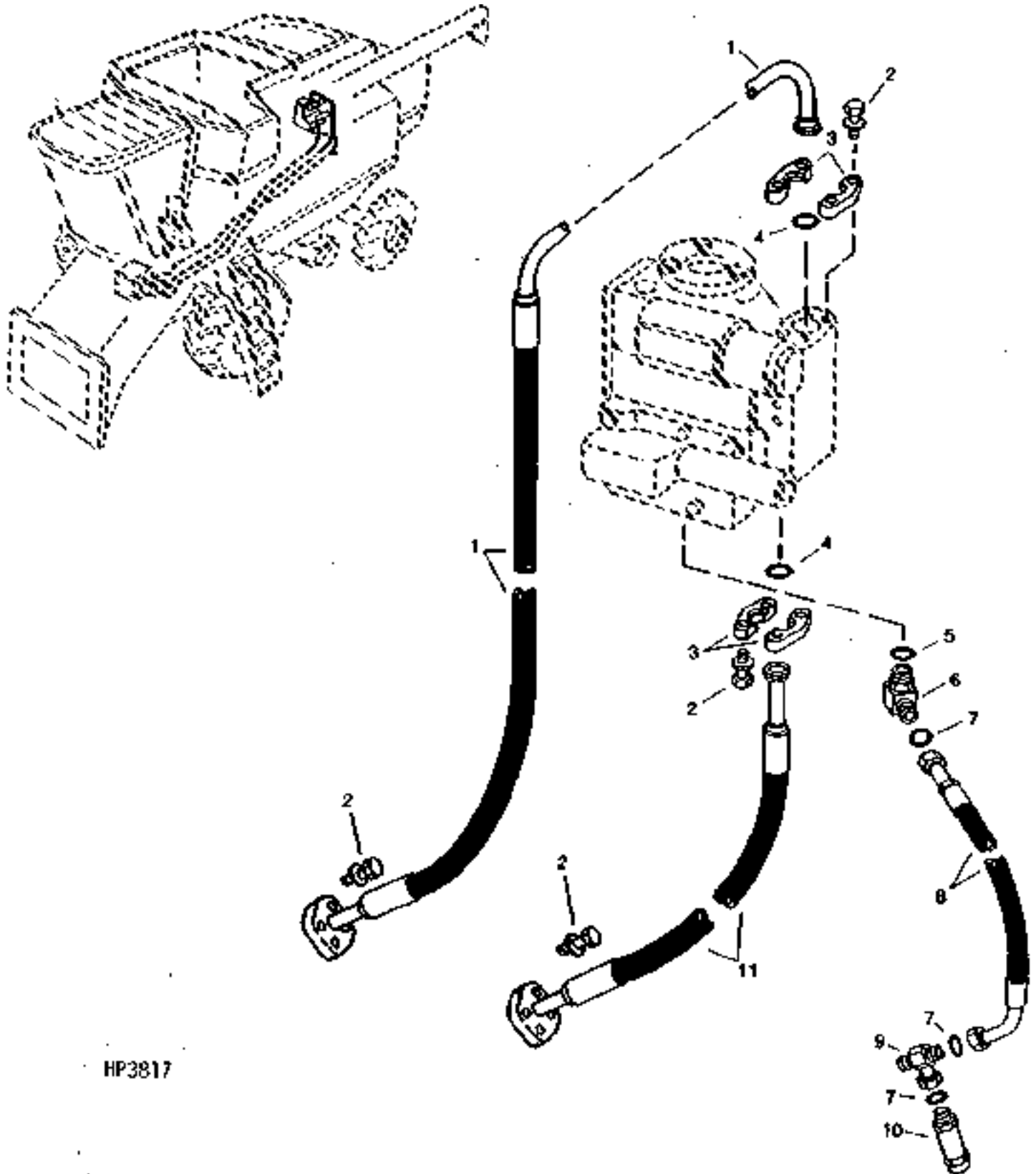
HYDROSTATIC DRIVE OIL LINES AND HOSES, LOWER - CONTINUED  
(FOUR WHEEL DRIVE)  
(655401- )

KEY	PART NO.	PART NAME	QTY	SERIAL NO.	REMARKS
1	H133659	BRACKET	1		
2	H111730	CLAMP	2		
3	H112567	PLATE	1		
4	19M7979	SCREW	1	M8 X 55	
	14M7298	FLANGE NUT	2	M8	
5	H122182	EXTERNAL HALF COUPLER	4		
6	19H3465	CAP SCREW	8	7/16" X 3"	
	T105740	WASHER	16		
	14H1047	NUT	8	7/16"	
7	T77858	O-RING	2	18.771 X 1.778 MM (0.739" X 0.070")	
8	T78313	O-RING	2	32.918 X 3.531 MM (1.296" X 0.139")	
9	H114901	PLATE	6		
10	H150223	HOSE CLAMP	4		
11	19M8039	SCREW	5	M8 X 80	
	14M7298	FLANGE NUT	5	M8	
12	H150222	HOSE CLAMP	6		
13	19M7970	SCREW	3	M8 X 100	
14	14M7298	FLANGE NUT	3	M8	
15	AH127881	OIL LINE	4		
16	AH143353	HYDRAULIC HOSE	1	1" X 4 375 MM (172-1/4") X 1", FORWARD PRESSURE	
17	AH142758	HYDRAULIC HOSE	1	1" X 3 875 MM (152-1/2") X 1", REVERSE PRESSURE	
18	03M7184	BOLT	4	M8 X 20	
	14M7396	LOCK NUT	4	M8	
19	T72393	CLAMP	2		
..	<b>BH79964</b>	<b>COMPLETE GOODS/SHIP. BUNDLE</b>	<b>1</b>	<b>R WHEEL DRIVE HYDRAULIC HOSE CONVERSION</b>	

## HYDROSTATIC DRIVE HOSES, UPPER

(-655400)

HP3817 -UN-01JAN94



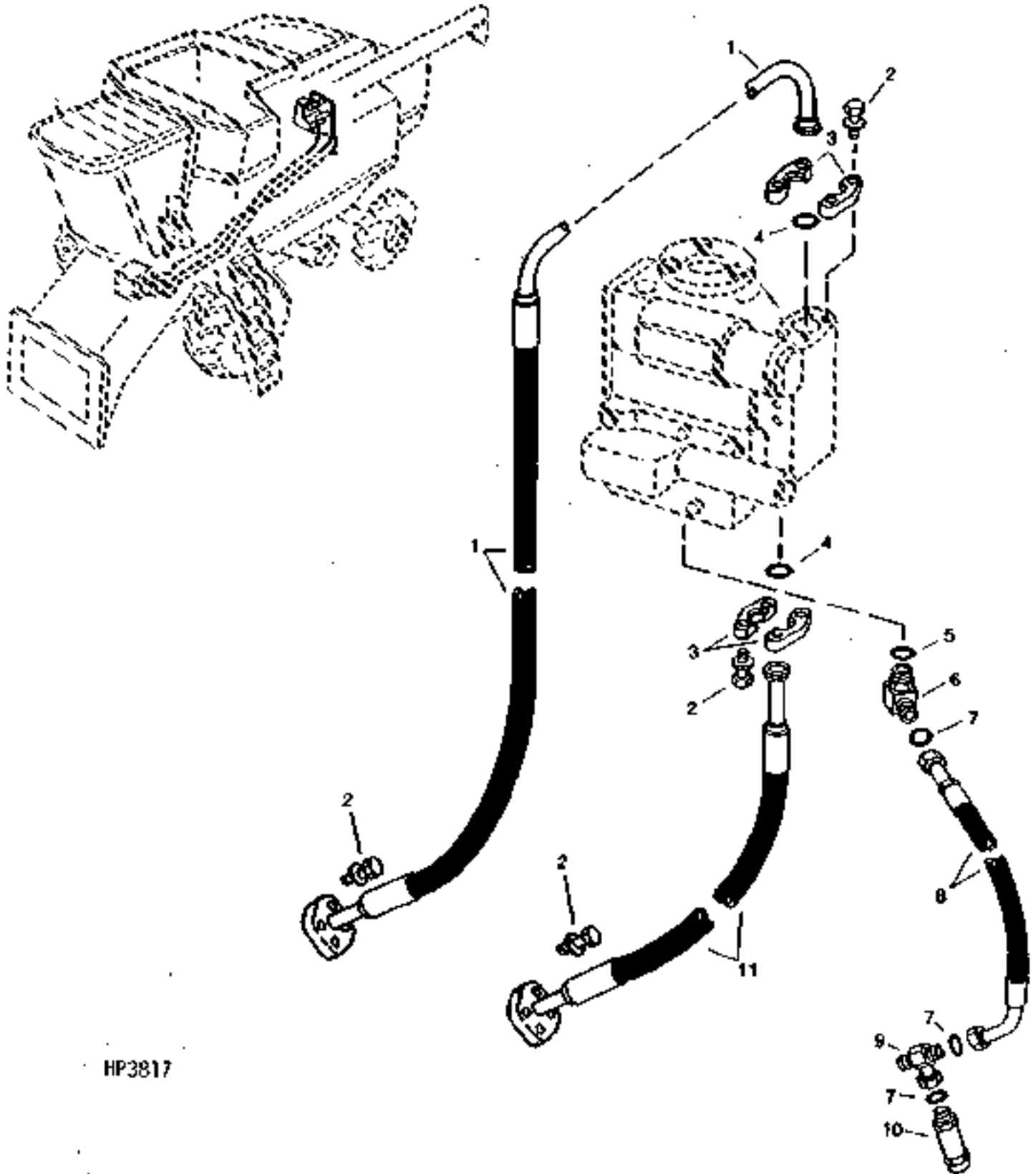
HP3817



HYDROSTATIC DRIVE HOSES, UPPER - CONTINUED  
( -655400)

KEY	PART NO.	PART NAME	QTY	SERIAL NO.	REMARKS
1	AH144192	HYDRAULIC HOSE	1		(RETURN) (SUB FOR AH134951 OR AH141545)
2	19H1740	CAP SCREW	8		7/16" X 1-3/4"
	12H293	LOCK WASHER	8		7/16"
3	H122182	EXTERNAL HALF COUPLER	4		
4	T78313	O-RING	2		
5	U12547	O-RING	1		
6	38H1007	ELBOW FITTING	1		
7	T77858	O-RING	3		
8	AH124008	HYDRAULIC HOSE	1		1-3/16" X 725 MM (28-1/2") X 1-3/16" (UPPER CASE DRAIN)
9	38H1041	TEE FITTING	1		
10	AH118337	CHECK VALVE	1		
11	AH141543	HYDRAULIC HOSE	1		(PRESSURE)( FOR NON-POWERED REAR WHEELS ) (SUB FOR AH140851)
	AH141544	HYDRAULIC HOSE	1		(PRESSURE)(FOR POWERED REAR WHEELS) (SUB FOR AH140852)

HYDROSTATIC DRIVE HOSES, UPPER  
(FOUR WHEEL DRIVE)  
(655401- )  
HP3817 -UN-01JAN94



HP3817

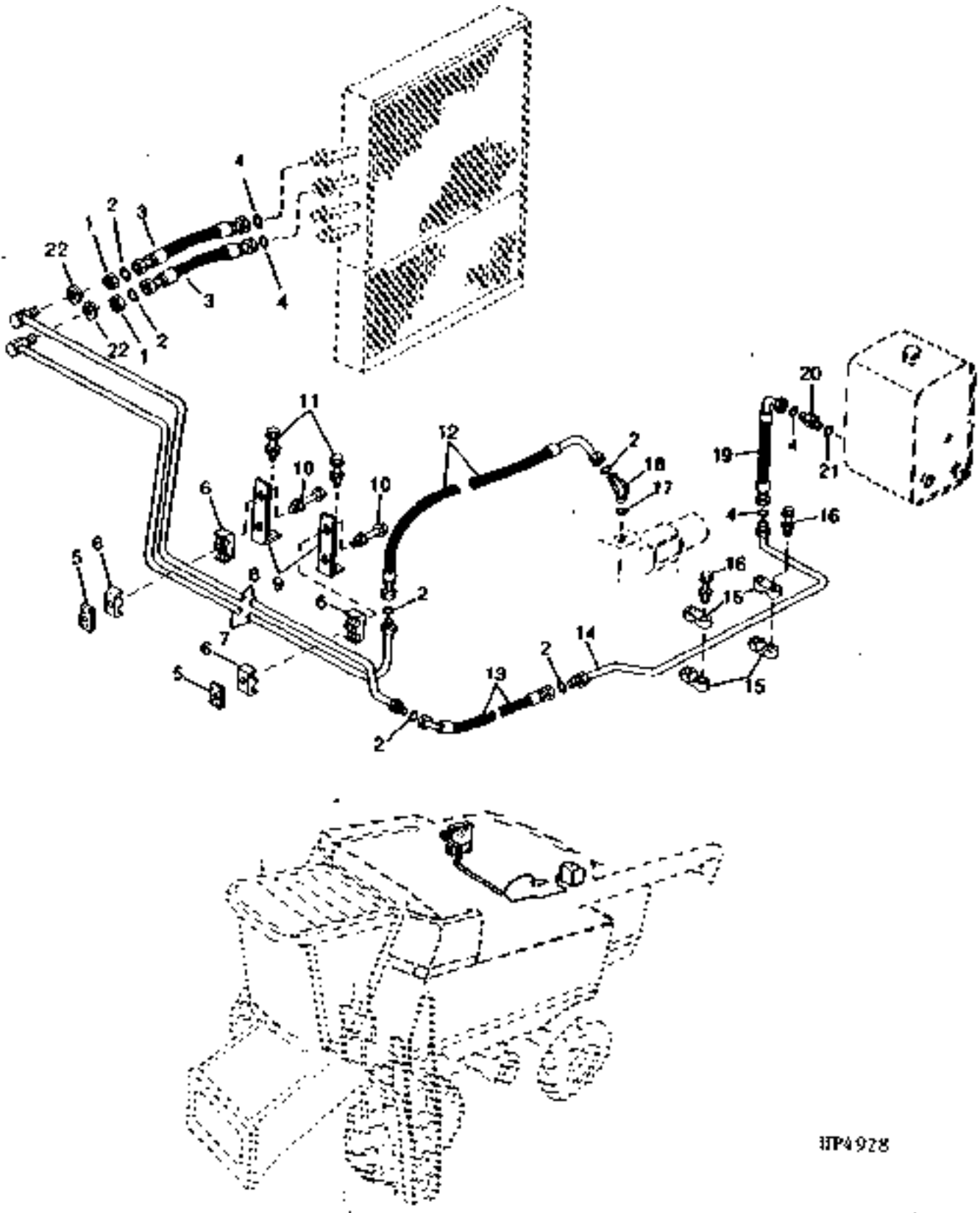
HYDROSTATIC DRIVE HOSES, UPPER - CONTINUED  
(FOUR WHEEL DRIVE)  
(655401- )

KEY	PART NO.	PART NAME	QTY	SERIAL NO.	REMARKS
1	AH144192	HYDRAULIC HOSE	1	1" X 975 MM (38-1/2") X 1"	
2	19H1740	CAP SCREW	8	7/16" X 1-3/4"	
	12H293	LOCK WASHER	8	7/16"	
3	H122182	EXTERNAL HALF COUPLER	4		
4	T78313	O-RING	2	32.918 X 3.531 MM (1.296" X 0.139")	
5	U12547	O-RING	1	23.470 X 2.946 MM (0.924" X 0.116")	
6	38H1007	ELBOW FITTING	1		
7	T77858	O-RING	3	18.771 X 1.778 MM (0.739" X 0.070")	
8	AH124008	HYDRAULIC HOSE	1	1-3/16" X 725 MM (28-1/2") X 1-3/16" (UPPER CASE DRAIN)	
9	38H1041	TEE FITTING	1		
10	AH118337	CHECK VALVE	1		
11	AH141544	HYDRAULIC HOSE	1	1-7/16" X 700 MM (27-1/2") X 1-7/16" (PRESSURE)(FOR POWERED REAR WHEELS)	
	AH144194	HOSE	1	1" X 4 785 MM (188-1/2") X 1", (PRESSURE) (FOR NON POWERED REAR WHEELS)	
..	<b>BH79964</b>	<b>COMPLETE GOODS/SHIP. BUNDLE</b>	<b>1</b>	<b>4 WHEEL DRIVE HYDRAULIC HOSE CONVERSION</b>	

## HYDROSTATIC OIL COOLER LINES AND HOSES

(-665400)

HP4928 -UN-01JAN94



HP4928

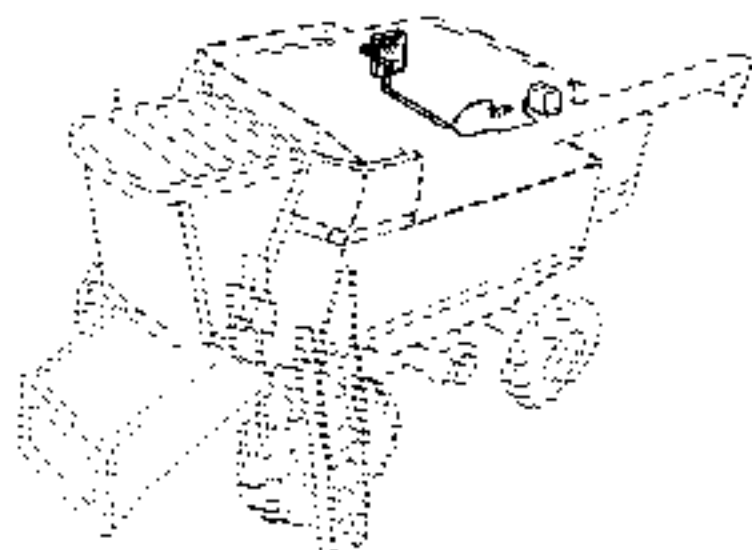
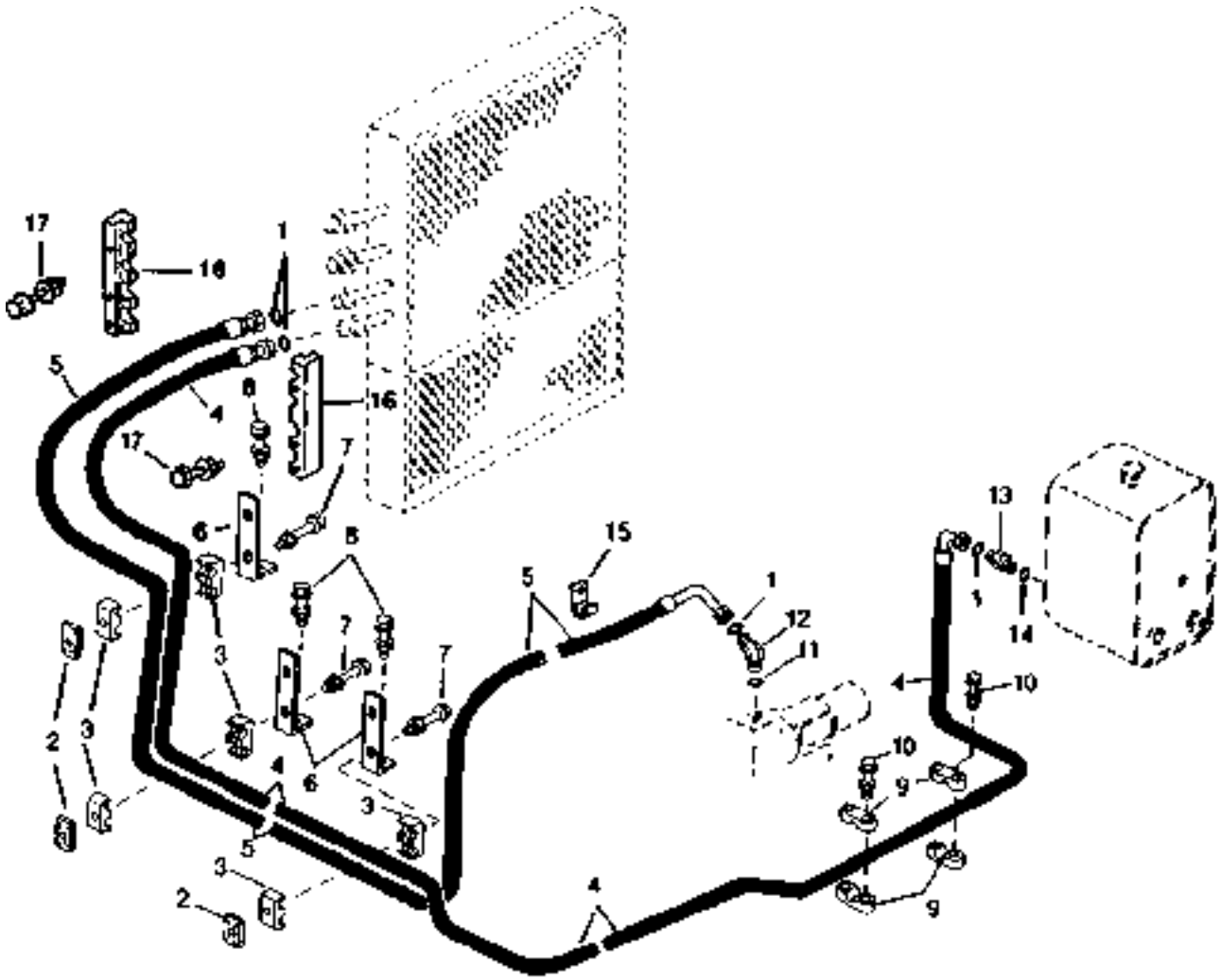
## HYDROSTATIC OIL COOLER LINES AND HOSES- CONTINUED

( -665400)

KEY	PART NO.	PART NAME	QTY	SERIAL NO.	REMARKS
1	T78715	NUT	2		36.525 MM
2	T76938	O-RING	6		23.520 X 1.778 MM (0.926" X 0.070")
3	AH128993	HYDRAULIC HOSE	2		1-3/16" X 265 MM (10-1/2") X 1-7/16"
4	T77858	O-RING	4		18.771 X 1.778 MM (0.739" X 0.070")
5	H112567	PLATE	2		
6	H115379	CLAMP	4		
7	AH138864	OIL LINE	1		
8	AH133961	OIL LINE	1		
9	H130451	BRACKET	2		
10	19M7801	SCREW	2		M8 X 60
	14M7298	FLANGE NUT	2		M8
11	U12547	O-RING	1		23.470 X 2.946 MM
	14M7298	FLANGE NUT	2		M8
12	AH125716	HYDRAULIC HOSE	1		1-7/16" X 1 125 MM (44-1/4") X 1-7/16"
13	AH124006	HYDRAULIC HOSE	1		1-7/16" X 800 MM (31-1/2") X 1-7/16"
14	AH135170	OIL LINE	1		
15	H114432	CLAMP	4		
16	H151585	CLAMP	2		
	14M7303	FLANGE NUT	2		M6
	14M7165	LOCK NUT	2	655401-	
17	U12547	O-RING	1		23.470 X 2.946 MM
18	38H1431	ELBOW FITTING	1		
19	AH135171	HYDRAULIC HOSE	1		1-3/16" X 260 MM (10-1/4") X 1-3/16"
20	38H1194	ADAPTER	1		
21	R29936	O-RING	1		29.743 X 2.946 MM (1.171" X 0.116")
22	24H1534	WASHER	2	643088-	38.887 X 52.375 X 1.524 MM (1-17/32" X 2-1/16" X 0.060")

## HYDROSTATIC OIL COOLER LINES AND HOSES

(655401- )  
HP6090 -UN-14JUN95



H160941

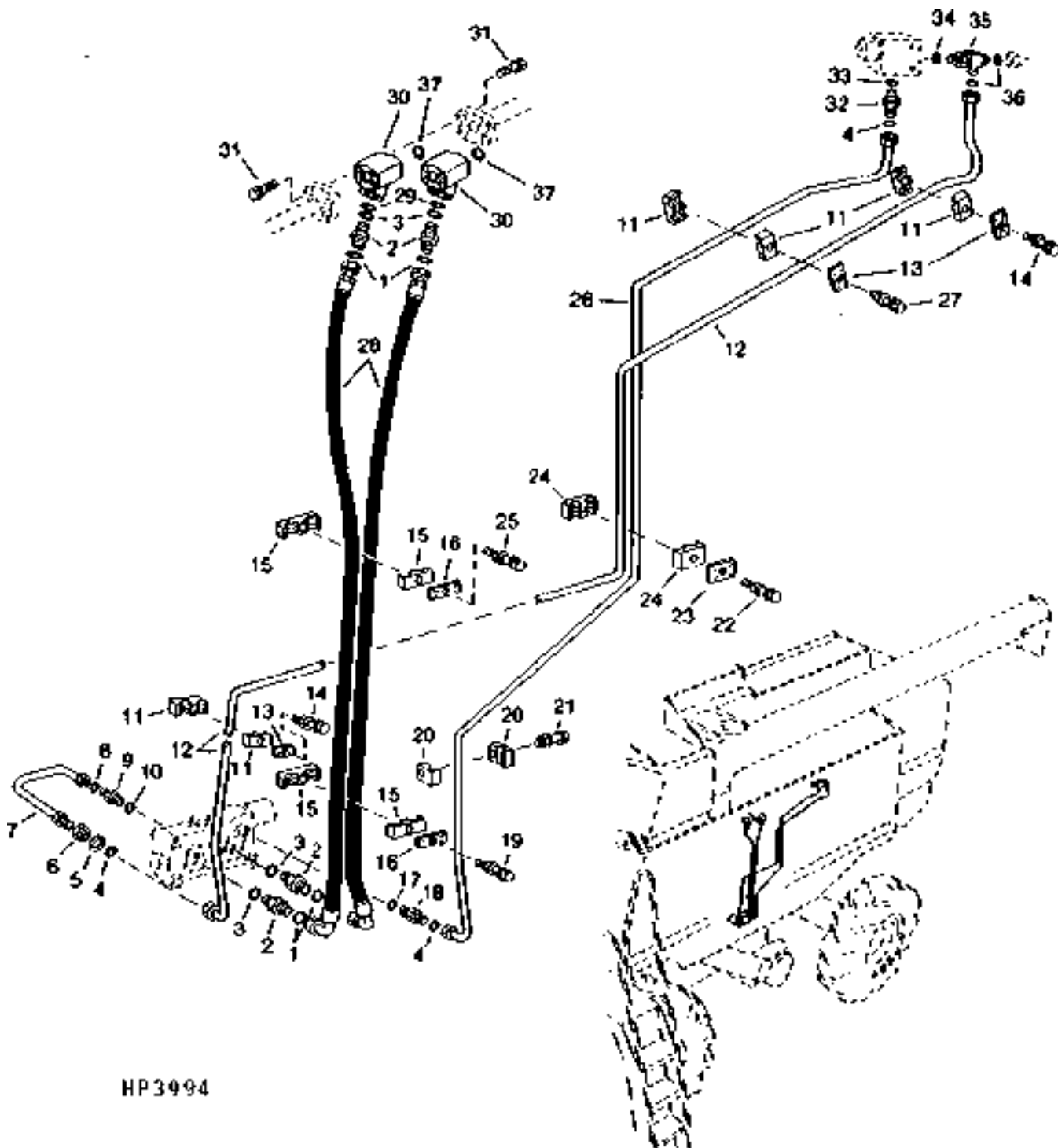
**HYDROSTATIC OIL COOLER LINES AND HOSES - CONTINUED**  
**(665401- )**

KEY	PART NO.	PART NAME	QTY	SERIAL NO.	REMARKS
1	T77858	O-RING	4		18.771 X 1.778 MM (0.739" X 0.070")
2	H114901	PLATE	3		
3	H150982	CLAMP	5		
4	AH145235	HYDRAULIC HOSE	1		
5	AH145237	HYDRAULIC HOSE	1		
6	H150980	BRACKET	4		
7	19M8039	SCREW	3	M8 X 80	
	14M7298	FLANGE NUT	3	M8	
8	19M7866	SCREW	3	M8 X 20	
	14M7298	FLANGE NUT	3	M8	
9	H145247	HALF CLAMP	4		
10	19M7801	SCREW	2	M8 X 60	
	14M7298	FLANGE NUT	2	M8	
11	U12547	O-RING	1		23.470 X 2.946 MM
12	38H1163	ADAPTER	1		
13	38H1194	ADAPTER	1		
14	R29936	O-RING	1		29.743 X 2.946 MM (1.171" X 0.116")
15	AH90990	CLIP	1		
16	H151585	CLAMP	2		
17	19M8318	SCREW	6	M8 X 45	
	14M7298	FLANGE NUT	6	M8	

## 4-WHEEL DRIVE HYDRAULIC LINES AND HOSES, L.H. SIDE

(-655400)

HP3994 -UN-01JAN94



HP3994



# 2J6

POWER TRAIN

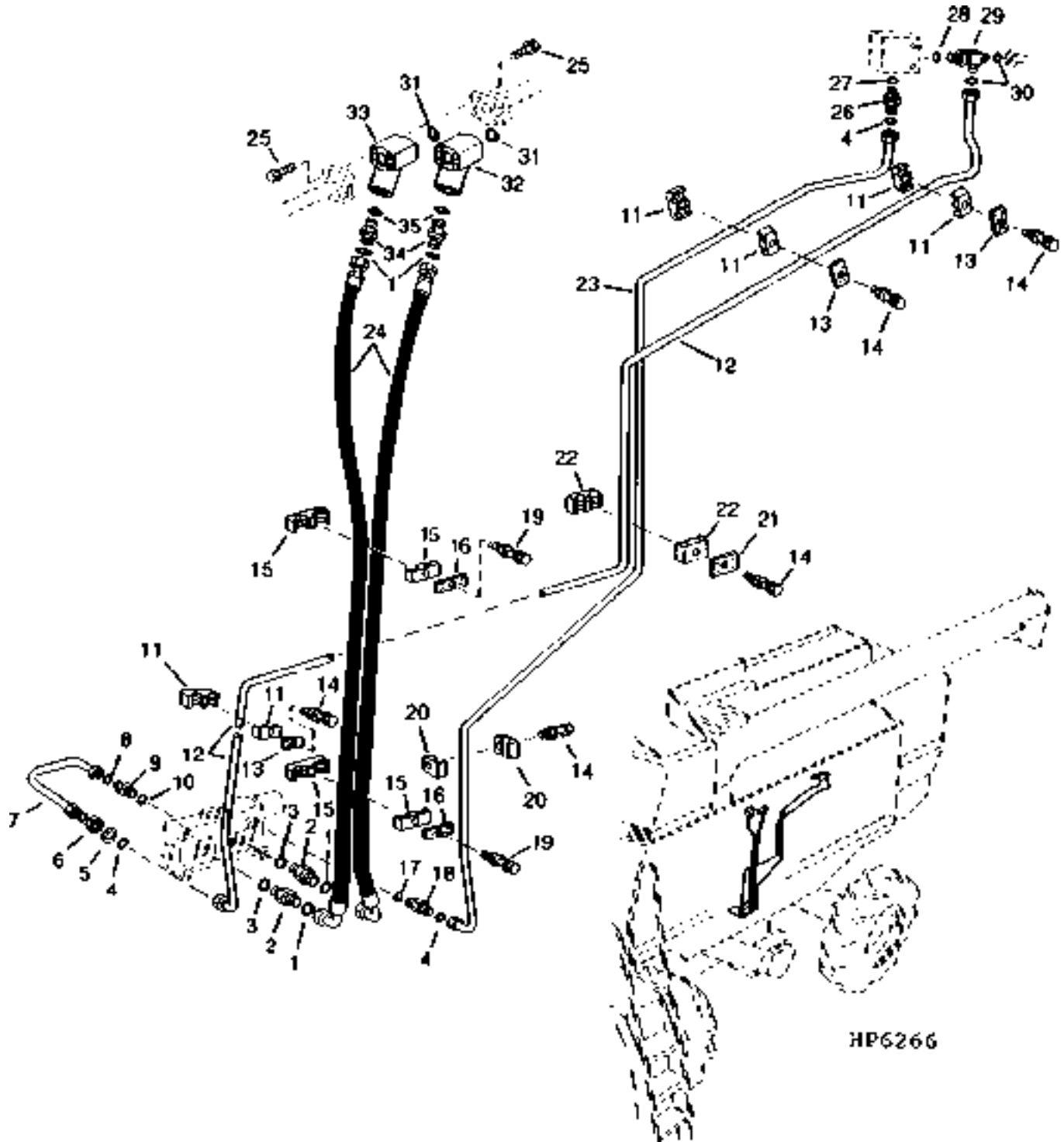
## 4-WHEEL DRIVE HYDRAULIC LINES AND HOSES, L.H. SIDE - CONTINUED

( -655400)

KEY	PART NO.	PART NAME	QTY	SERIAL NO.	REMARKS
1	T77858	O-RING	4		
2	38H1163	ADAPTER	4		
3	U12547	O-RING	4		
4	T77613	O-RING	3		
5	24M7114	WASHER	1	19 X 30 X 4 MM	
6	T81029	NUT	1	17.475 MM (11/16")	
7	AH130611	HYDRAULIC LINE	1		
8	T77814	O-RING	1		
9	38H1168	ADAPTER	1		
10	R26448	O-RING	1		
11	H114865	CLAMP	6		
12	AH130447	OIL LINE	1	(RETURN)	
13	H112567	PLATE	3		
14	03M7245	BOLT	2	M8 X 55	
	14M7298	FLANGE NUT	2	M8	
15	H114898	CLAMP	4		
16	H114901	PLATE	2		
17	R28782	O-RING	1		
18	38H1309	ADAPTER	1		
19	19M8039	SCREW	1	M8 X 80	
	19M7396	CAP SCREW	1	M16 X 45	
20	H127589	CLAMP	2		
21	19M8317	SCREW	1	M8 X 40	
	14M7298	FLANGE NUT	1	M8	
22	03M7187	BOLT	1	M8 X 35	
	14M7298	FLANGE NUT	1	M8	
23	H121163	COVER	1		
24	H128515	CLAMP	2		
25	03M7267	BOLT	1	M8 X 80	
	14M7396	LOCK NUT	1	M8	
26	AH135620	OIL LINE	1	(PRESSURE)	
27	19M7801	SCREW	1	M8 X 60	
	14M7298	FLANGE NUT	1	M8	
28	AH125941	HYDRAULIC HOSE	2	1-3/16" X 1 625 MM (64") X 1-3/16" (FORWARD AND REVERSE)	
29	T78313	O-RING	2	32.918 X 3.531 MM (1.296" X 0.139") (SUB FOR H61355)	
30	H126368	MANIFOLD	2		
31	19M8162	CAP SCREW	16	M10 X 40	
32	38H1160	ADAPTER	1		
33	R26448	O-RING	1		
34	R26375	O-RING	1		
35	38H1024	TEE FITTING	1		
36	T77857	O-RING	2		
37	T78313	O-RING	2		
..	<b>BH71746</b>	<b>COMPLETE GOODS/SHIP. BUNDLE</b>	<b>1</b>	<b>4 WHEEL DRIVE CONVERSION</b>	
..	<b>BH79904</b>	<b>COMPLETE GOODS/SHIP. BUNDLE</b>	<b>1</b>	<b>4 WHEEL DRIVE CONVERSION</b>	

## 4-WHEEL DRIVE HYDRAULIC LINES AND HOSES, L.H. SIDE

(655401- )  
HP6266 -UN-17JAN96



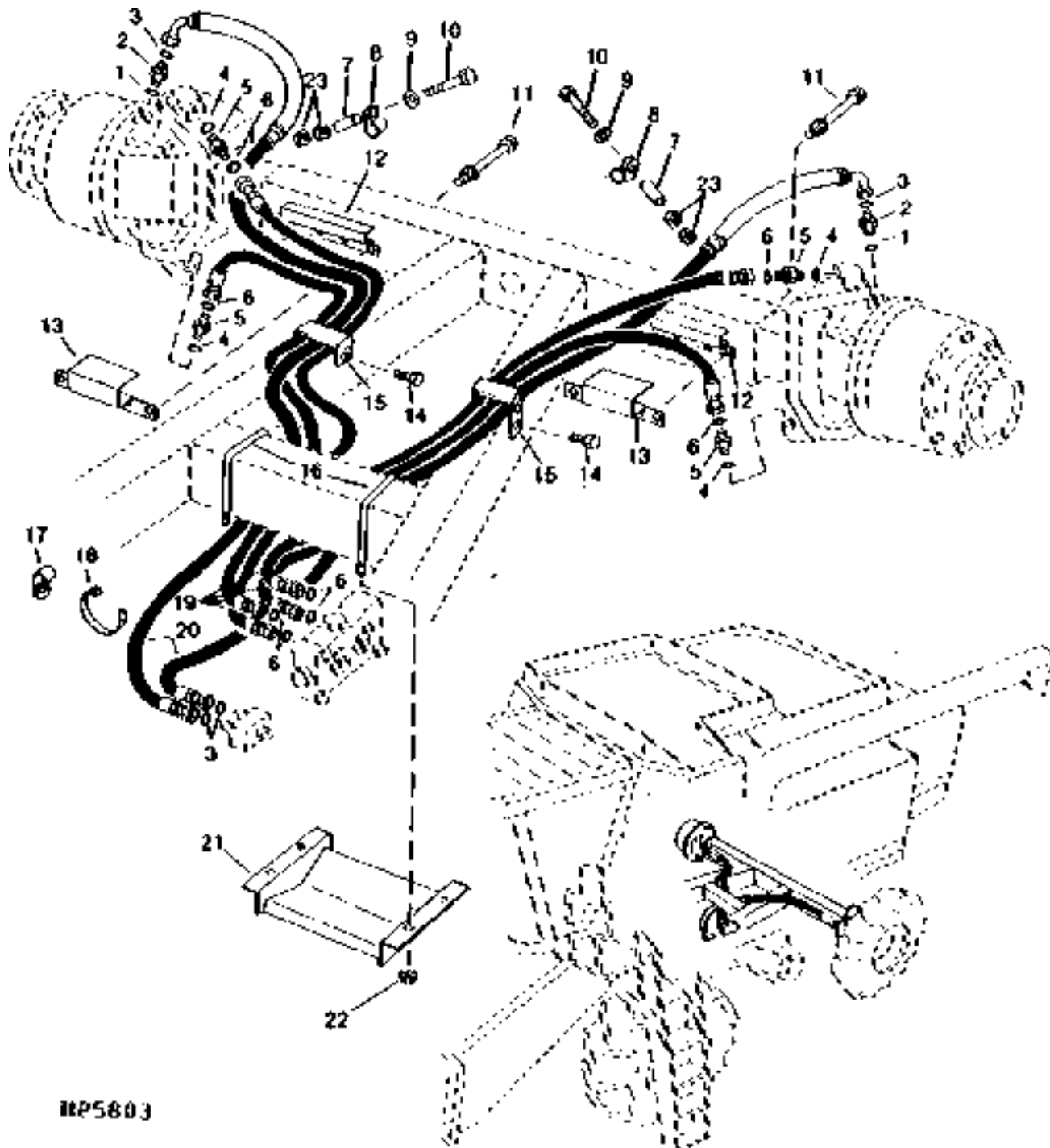
HP6266

## 4-WHEEL DRIVE HYDRAULIC LINES AND HOSES, L.H. SIDE - CONTINUED

KEY	PART NO.	PART NAME	QTY	SERIAL NO.	REMARKS
1	T77858	O-RING	4		
2	38H1163	ADAPTER	2		
3	U12547	O-RING	2		
4	T77613	O-RING	3		
5	24M7114	WASHER	1	19 X 30 X 4 MM	
6	T81029	NUT	1	17.475 MM (11/16")	
7	AH130611	HYDRAULIC LINE	1		
8	T77814	O-RING	1		
9	38H1168	ADAPTER	1		
10	R26448	O-RING	1		
11	H114865	CLAMP	6		
12	AH130447	OIL LINE	1	(RETURN)	
13	H112567	PLATE	3		
14	14M7298	FLANGE NUT	5	M8	
15	H114898	CLAMP	4		
16	H114901	PLATE	2		
17	R28782	O-RING	1		
18	38H1309	ADAPTER	1		
19	19M7396	CAP SCREW	2	M16 X 45	
20	H127589	CLAMP	2		
21	H121163	COVER	1		
22	H128515	CLAMP	2		
23	AH135620	OIL LINE	1	(PRESSURE)	
24	AH139802	HYDRAULIC HOSE	2		
25	19M8162	CAP SCREW	16	M10 X 40	
26	38H1160	ADAPTER	1		
27	R26448	O-RING	1		
28	R26375	O-RING	1		
29	38H1024	TEE FITTING	1		
30	T77857	O-RING	2		
31	T78313	O-RING	2		
32	AH133941	MANIFOLD	1	42 GPM, FWD PRESS.	
33	AH133942	MANIFOLD	1	30 GPM, REV PRESS.	
34	38H1329	ADAPTER	2		
35	R29936	O-RING	2		

## 4-WHEEL DRIVE LINES AND HOSES (FROM FLOW CONTROL VALVE TO CAM LOBE MOTORS)

HP5803 -UN-01JAN94



HP5803

# 2J10

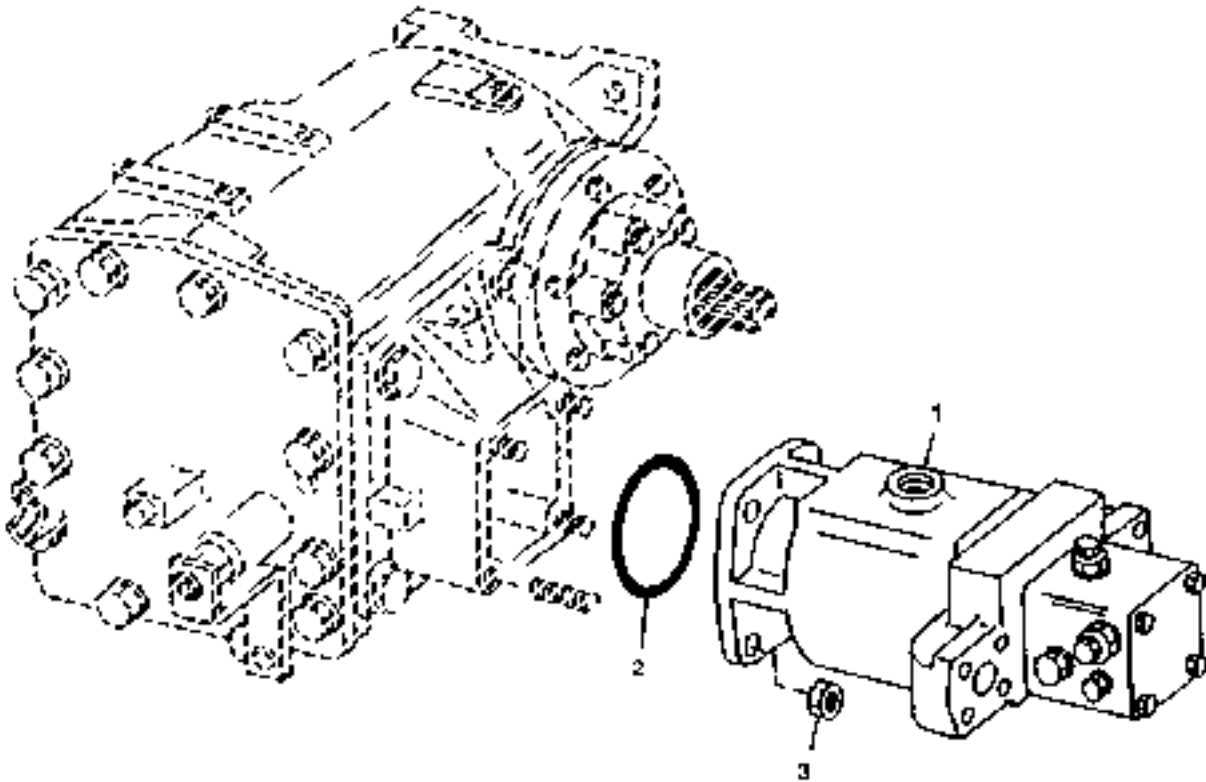
POWER TRAIN

**4-WHEEL DRIVE LINES AND HOSES - CONTINUED  
(FROM FLOW CONTROL VALVE TO CAM LOBE MOTOR)**

KEY	PART NO.	PART NAME	QTY	SERIAL NO.	REMARKS
1	R26375	O-RING	2		
2	38H1178	ADAPTER	2		
3	T77858	O-RING	4		
4	U12547	O-RING	4		
5	38H1329	ADAPTER	4		
6	T77932	O-RING	8		
7	T25473	SPACER	2		
8	H145247	HALF CLAMP	2		
9	24H1237	WASHER	2		25/64" X 7/8" X 0.060"
10	19M7801	SCREW	2		M8 X 60
11	H121472	BOLT	4		
	14M7300	FLANGE NUT	4		M20
12	H131996	SHIELD	2		
13	H133671	SHIELD	2		
14	37M7092	SCREW	6		M8 X 16
15	AH117418	STRAP	2		
16	H133669	U-BOLT	2		
17	AH77884	CLIP	1		NO LONGER REQUIRED
	19M7865	SCREW	1		M8 X 16, NO LONGER REQUIRED
	14M7298	FLANGE NUT	1		M8, NO LONGER REQUIRED
18	H113196	TIE BAND	1		
19	AH128761	HYDRAULIC HOSE	4	-655400	1" X 3 151 MM (124") X 1" (FORWARD AND REVERSE) (SUB AH143406)
	AH143407	HYDRAULIC HOSE	4		1" X 3 375 MM (132-3/4") X 1"
20	AH139853	HYDRAULIC HOSE	2		1-3/16" X 3 900 MM (153-1/2") X 1-3/16" (CASE DRAIN)
	AH139854	HYDRAULIC HOSE	2		1-3/16" X 4 025 MM (158-1/2") X 1-3/16", (GRAIN)
21	AH128757	SHIELD	1		
22	14M7296	FLANGE NUT	4		M10
23	14M7298	FLANGE NUT	4		M8
..	TY9473	ADHESIVE	1		(SUB T43512) ON KEY 10 AND HOLE
..	<b>BH71746</b>	<b>COMPLETE GOODS/SHIP. BUNDLE</b>	<b>1</b>		<b>4 WHEEL DRIVE CONVERSION</b>
..	<b>BH71883</b>	<b>COMPLETE GOODS/SHIP. BUNDLE</b>	<b>1</b>		<b>4 WHEEL DRIVE CONVERSION</b>
..	<b>BH80002</b>	<b>COMPLETE GOODS/SHIP. BUNDLE</b>	<b>1</b>		<b>4 WHEEL DRIVE CONVERSION</b>

# 2J11

HYDROSTATIC DRIVE MOTOR  
HP6551 -UN-23AUG96



HP6551

# 2J12

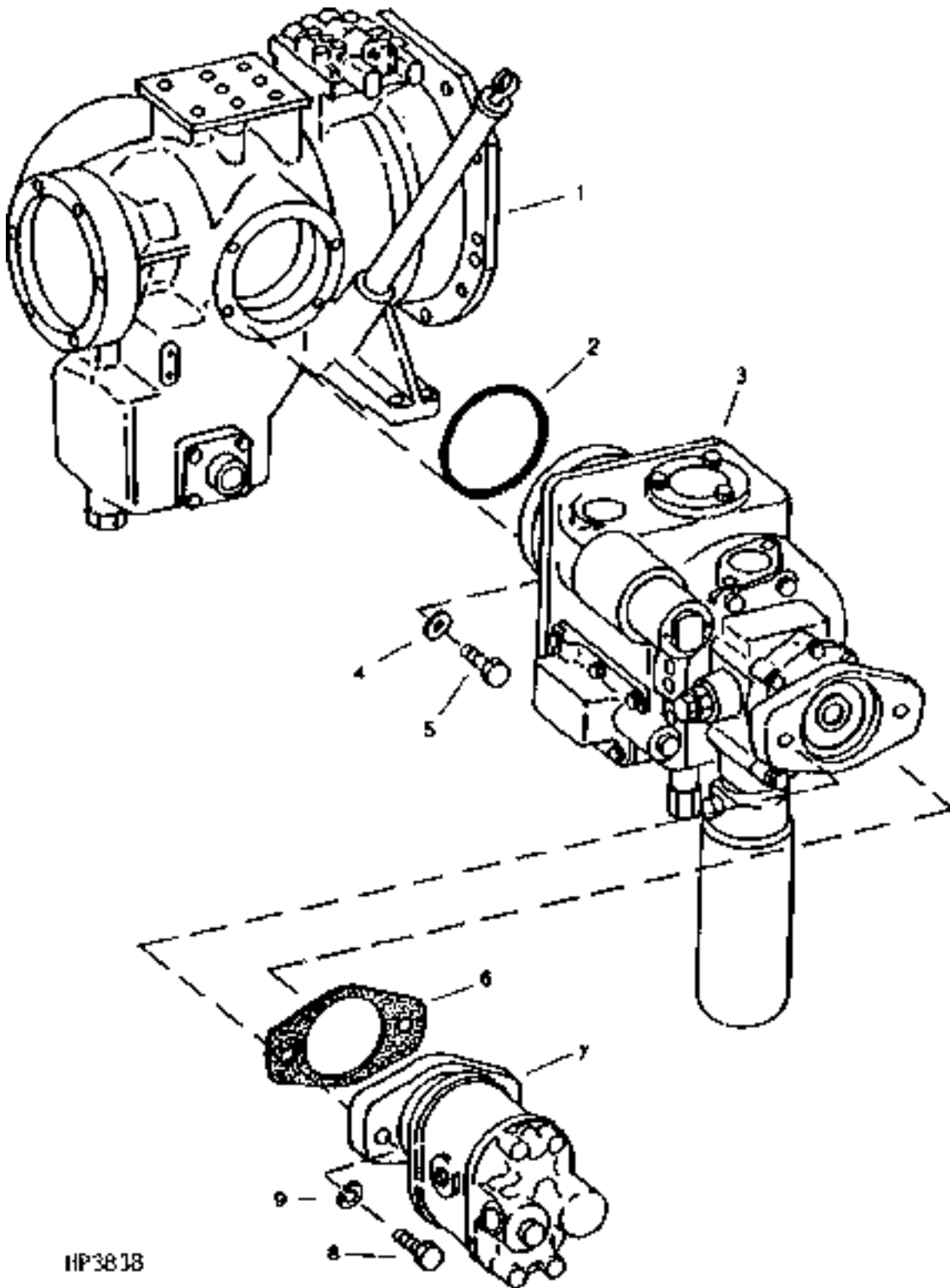
POWER TRAIN

## HYDROSTATIC DRIVE MOTOR - CONTINUED

KEY	PART NO.	PART NAME	QTY	SERIAL NO.	REMARKS
1	AH131310	MOTOR	1		RING AND PINION
2	R63308	O-RING	1		
3	14M7299	FLANGE NUT	4		M12

# 2J13

ENGINE GEARCASE - HYDROSTATIC DRIVE PUMP - MAIN HYDRAULIC PUMP CONNECTING HARDWARE  
HP3838 -UN-01JAN94



HP3838



# 2J14

POWER TRAIN

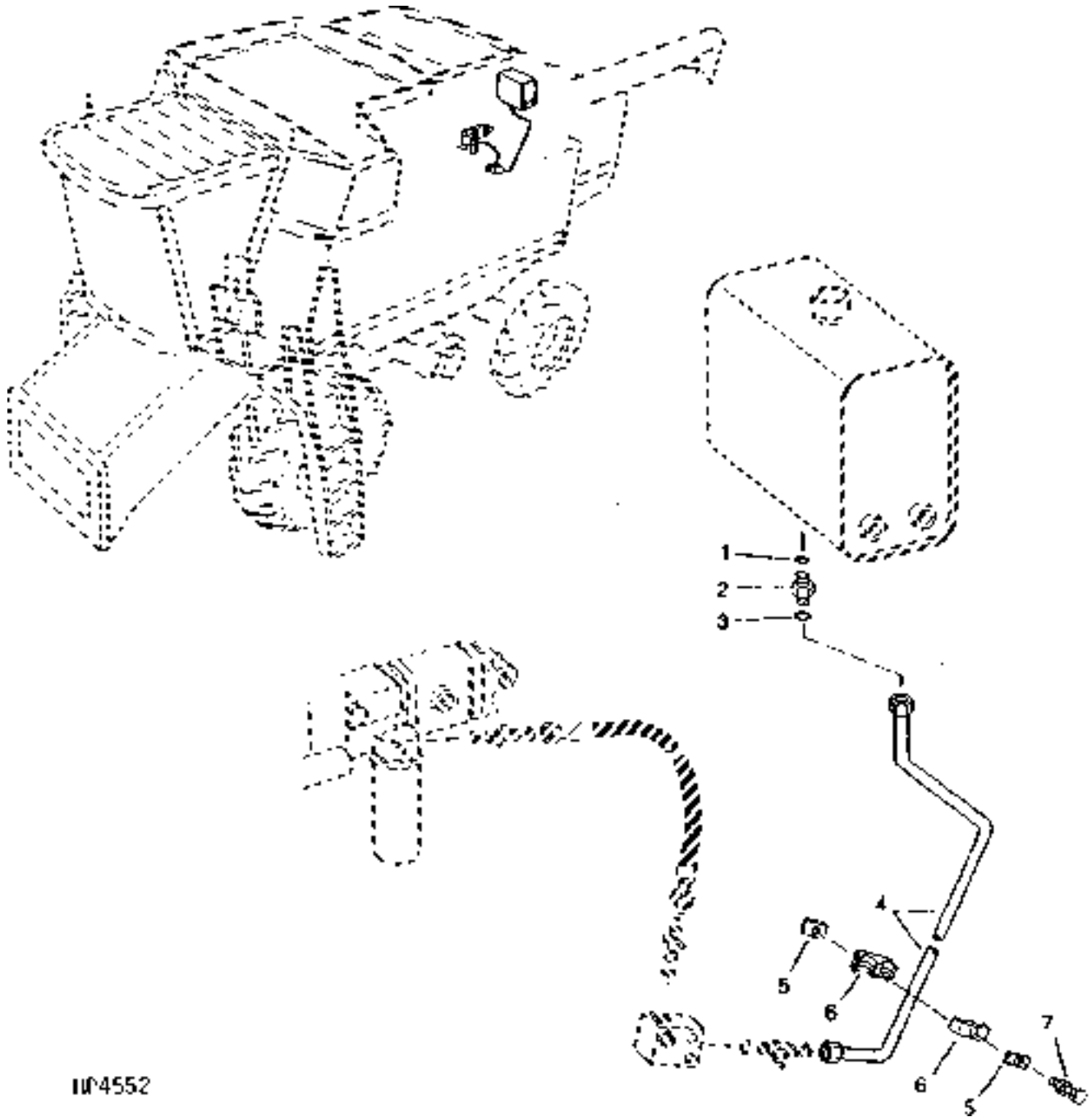
## ENGINE GEARCASE - HYDROSTATIC DRIVE PUMP - MAIN HYDRAULIC PUMP CONNECTING HARDWARE-CONT.

KEY	PART NO.	PART NAME	QTY	SERIAL NO.	REMARKS
1	AH139323	GEAR CASE	1		
2	R63308	O-RING	1		
3	AH160785	PUMP	1		(SUB FOR AH131305) RING AND PINION (REMANUFACTURED)
4	T29342	WASHER	1		
5	19M7493	CAP SCREW	1		M12 X 40
6	H131121	GASKET	1		(SHOWN) (USE WITH AH131305)
	E65288	O-RING	1		(USE WITH AH160785)
7	AH131183	HYDRAULIC PUMP	1		
8	19H1732	CAP SCREW	4		3/8" X 1-1/4"
9	12H304	LOCK WASHER	4		3/8"

# 2J15

## RETURN LINE TO RESERVOIR - 4-WHEEL DRIVE

HP4552 -UN-01JAN94



HP4552

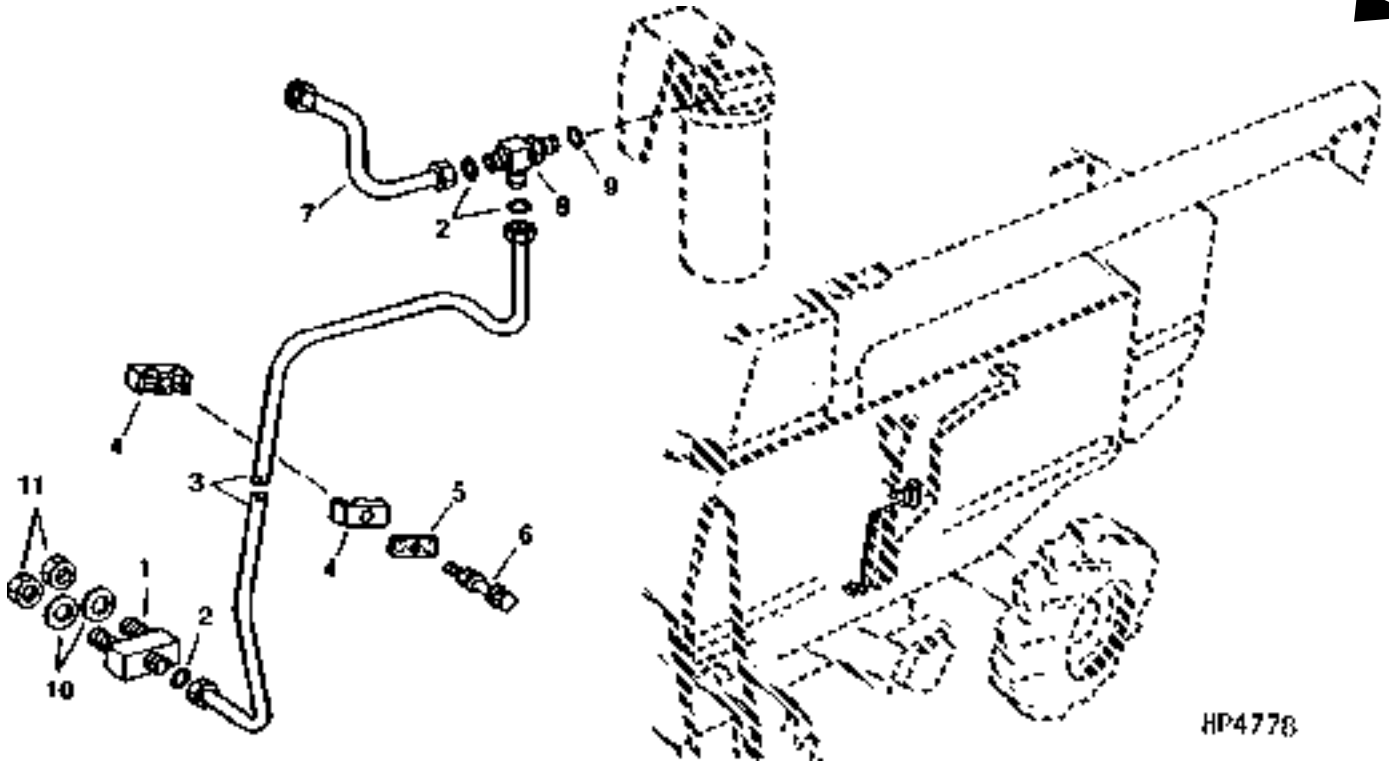
# 2J16

POWER TRAIN

## RETURN LINE TO RESERVOIR - 4-WHEEL DRIVE - CONTINUED

KEY	PART NO.	PART NAME	QTY	SERIAL NO.	REMARKS
1	R26448	O-RING	1		
2	38H1160	ADAPTER	1		
3	T77613	O-RING	1		
4	AH130445	HYDRAULIC LINE	1		
5	H112567	PLATE	2		
6	H114865	CLAMP	2		
7	19M7801	SCREW	1	M8 X 60	
	14M7298	FLANGE NUT	1	M8	

**4-WHEEL DRIVE CASE DRAIN HYDRAULIC LINES**  
 HP4778 -UN-01JAN94



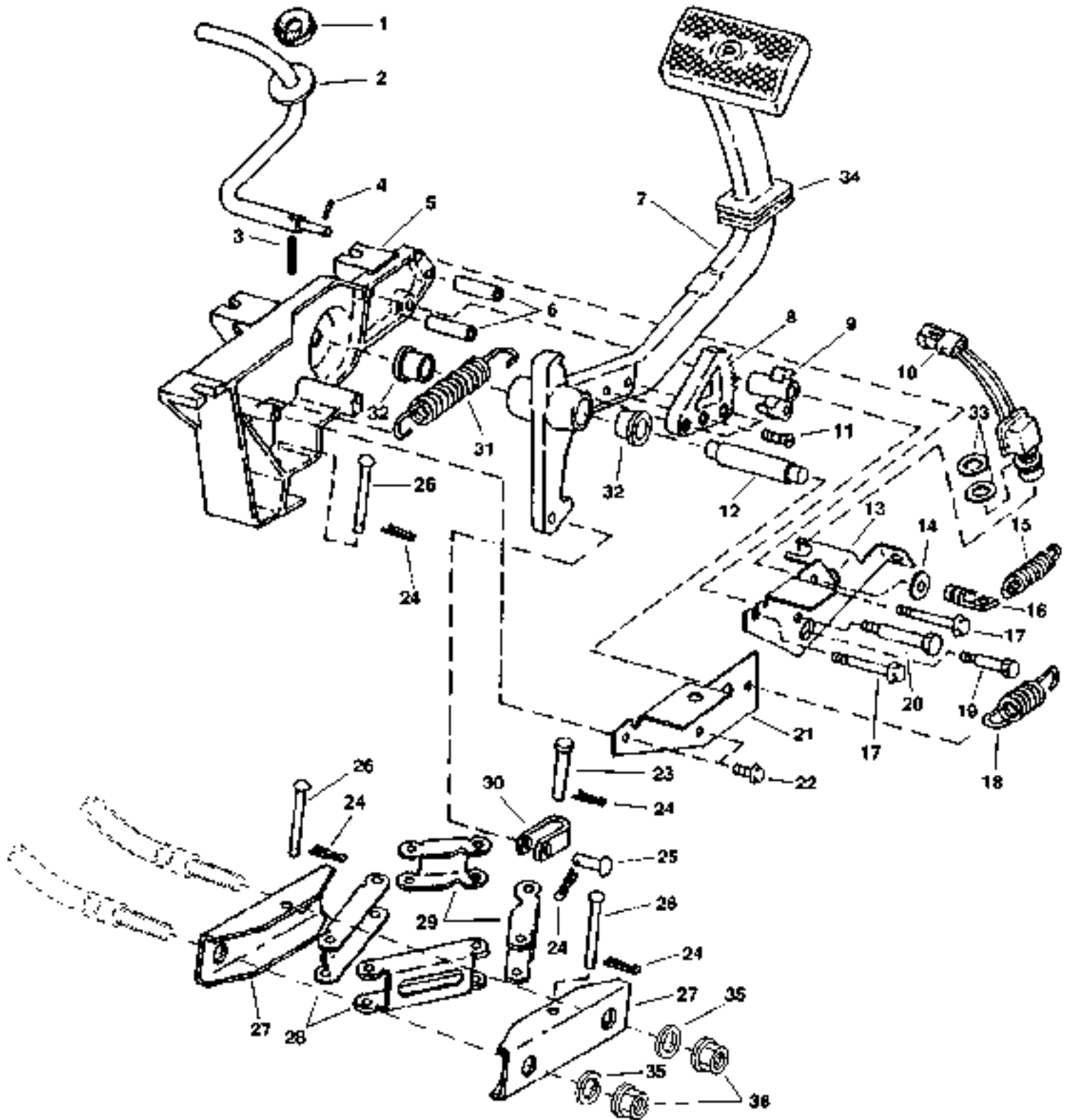
HP4778

KEY	PART NO.	PART NAME	QTY	SERIAL NO.	REMARKS
1	AH128692	MANIFOLD	1		(CASE DRAIN)
2	T77858	O-RING	3		
3	AH130449	HYDRAULIC LINE	1		(CASE DRAIN RETURN)
4	H114865	CLAMP	2		
5	H112567	PLATE	1		
6	03M7245	BOLT	1	M8 X 55	
	14M7298	FLANGE NUT	1	M8	
7	AH126169	OIL LINE	1		(RETURN) (FROM VALVE STACK TO HYD FILTER)
8	38H1438	TEE FITTING	1		
9	R29936	O-RING	1		
10	28H1152	BUSHING	2		1.278" X 1.660" X 3/8"
11	T78707	NUT	2		30.175 MM (1-3/16")
..	<b>BH71746</b>	<b>COMPLETE GOODS/SHIP. BUNDLE</b>	<b>1</b>		<b>4 WHEEL DRIVE CONVERSION</b>
..	<b>BH71883</b>	<b>COMPLETE GOODS/SHIP. BUNDLE</b>	<b>1</b>		<b>4 WHEEL DRIVE CONVERSION</b>
..	<b>BH80002</b>	<b>COMPLETE GOODS/SHIP. BUNDLE</b>	<b>1</b>		<b>4 WHEEL DRIVE CONVERSION</b>
..	<b>BH79904</b>	<b>COMPLETE GOODS/SHIP. BUNDLE</b>	<b>1</b>		<b>4 WHEEL DRIVE CONVERSION</b>

MEMORANDA

# 3B9

## PARKING BRAKE PEDAL AND SEAL HP6710 -UN-14MAY97



HP6710

THIS PARTS LISTING IS CONTINUED

# 3B10

## STEERING AND BRAKES

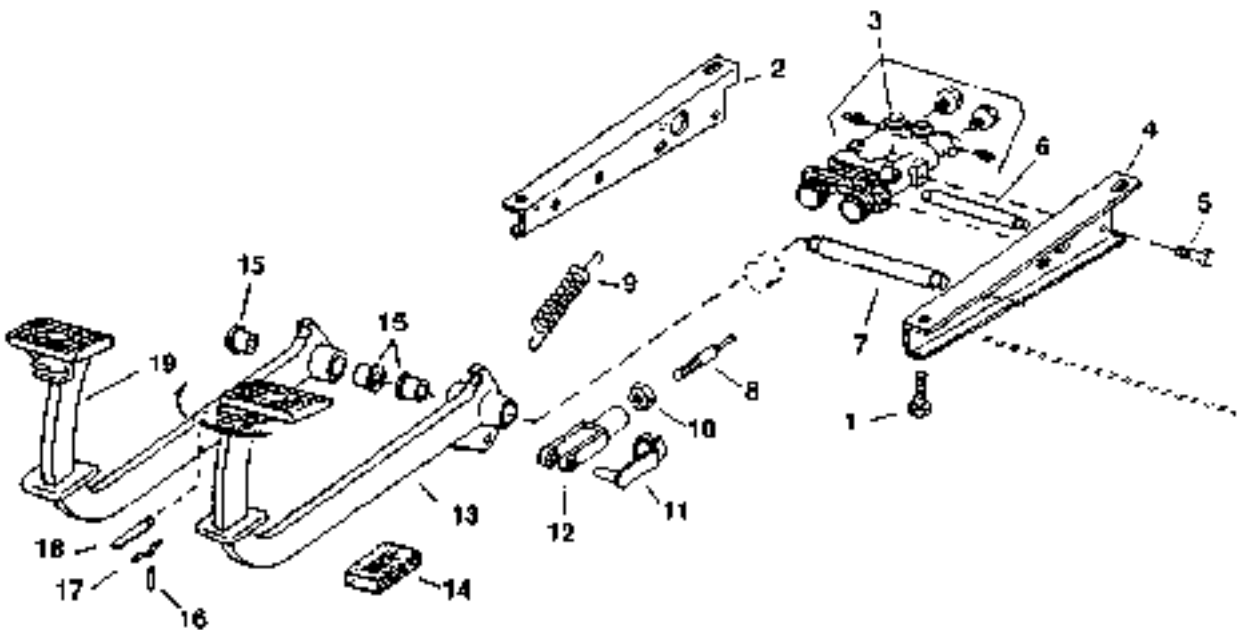
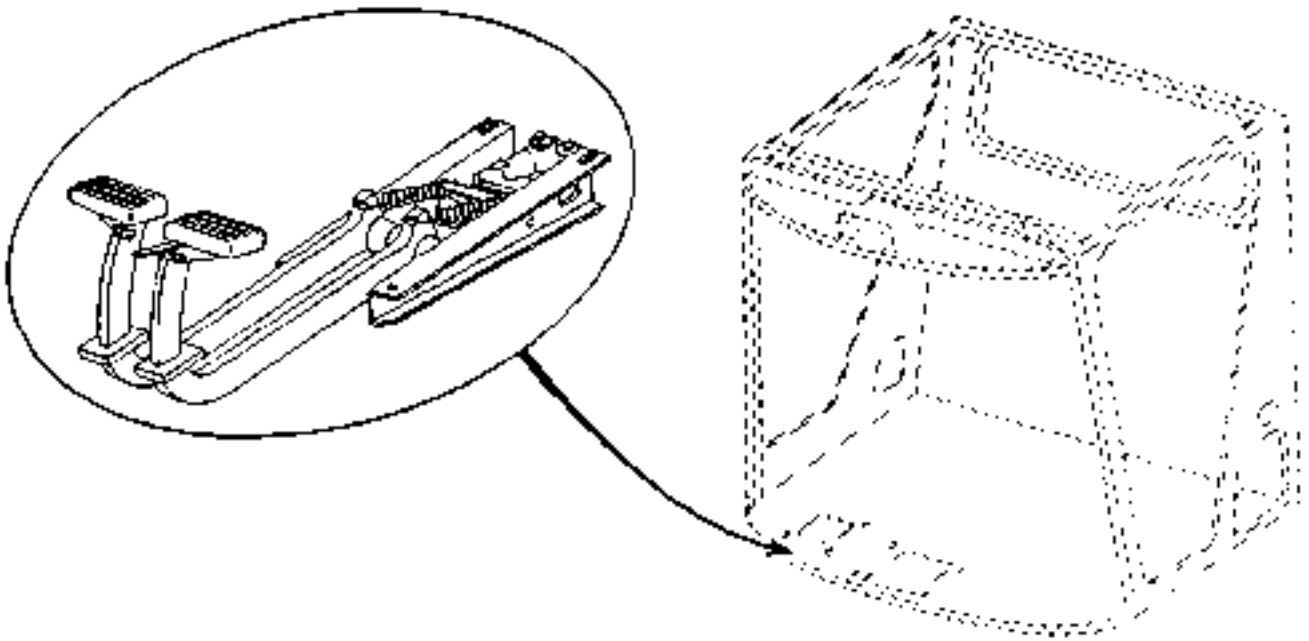
### PARKING BRAKE PEDAL AND SEAL - CONTINUED

KEY	PART NO.	PART NAME	QTY	SERIAL NO.	REMARKS
1	H145847	ISOLATOR	1		
2	AH146492	ARM	1		(SUB FOR AH135695)
3	34M7124	SPRING PIN	1		8 X 30 MM
4	34M7116	SPRING PIN	1		3 X 24 MM
5	H140595	FRAME	1		
6	28H1633	BUSHING	2		9.246 X 13.716 X 39.675 MM (0.364" X 0.540" X 1-9/16")
7	H140620	PEDAL	1		
8	H140746	RATCHET	1		
9	H140747	PAWL	1		
10	AH140605	SWITCH	1		
11	H140692	SCREW	3		M8 X 30
12	H140708	PIN	1		
13	H146327	PLATE	1		
14	H110232	WASHER	1		0.406" X 0.890" X 0.059"
15	R60730	SPRING	1		
16	H141069	HOOK	1		
17	19M7801	SCREW	2		M8 X 60
18	H124258	SPRING	1		
19	H140715	BOLT	1		M8 X 40
20	H140712	BOLT	1		M10 X 67
21	H140691	PLATE	1		
22	19M7867	SCREW	2		M8 X 25
23	M43649	PIN	1	-650400	
	P47140	PIN	1		
24	11M7081	COTTER PIN	5		2.500 X 20 MM
25	RV702A	PIN	5		
26	H109716	PIN	3		
27	H140694	BALANCER	2		
28	H140695	LINK	2		
29	H140696	LINK	2		
30	H140713	CLEVIS	1		
31	H104075	SPRING	1		
32	H105005	BUSHING	2		
33	24H1375	WASHER	2		
34	H141422	SEAL	1		
35	24M7207	WASHER	2		8.400 X 24 X 2 MM
36	E64256	LOCK NUT	2		M8

# 3B11

## BRAKE PEDALS AND MASTER CYLINDERS

HP9357 -UN-23NOV99



|HP9357|



# 3B12

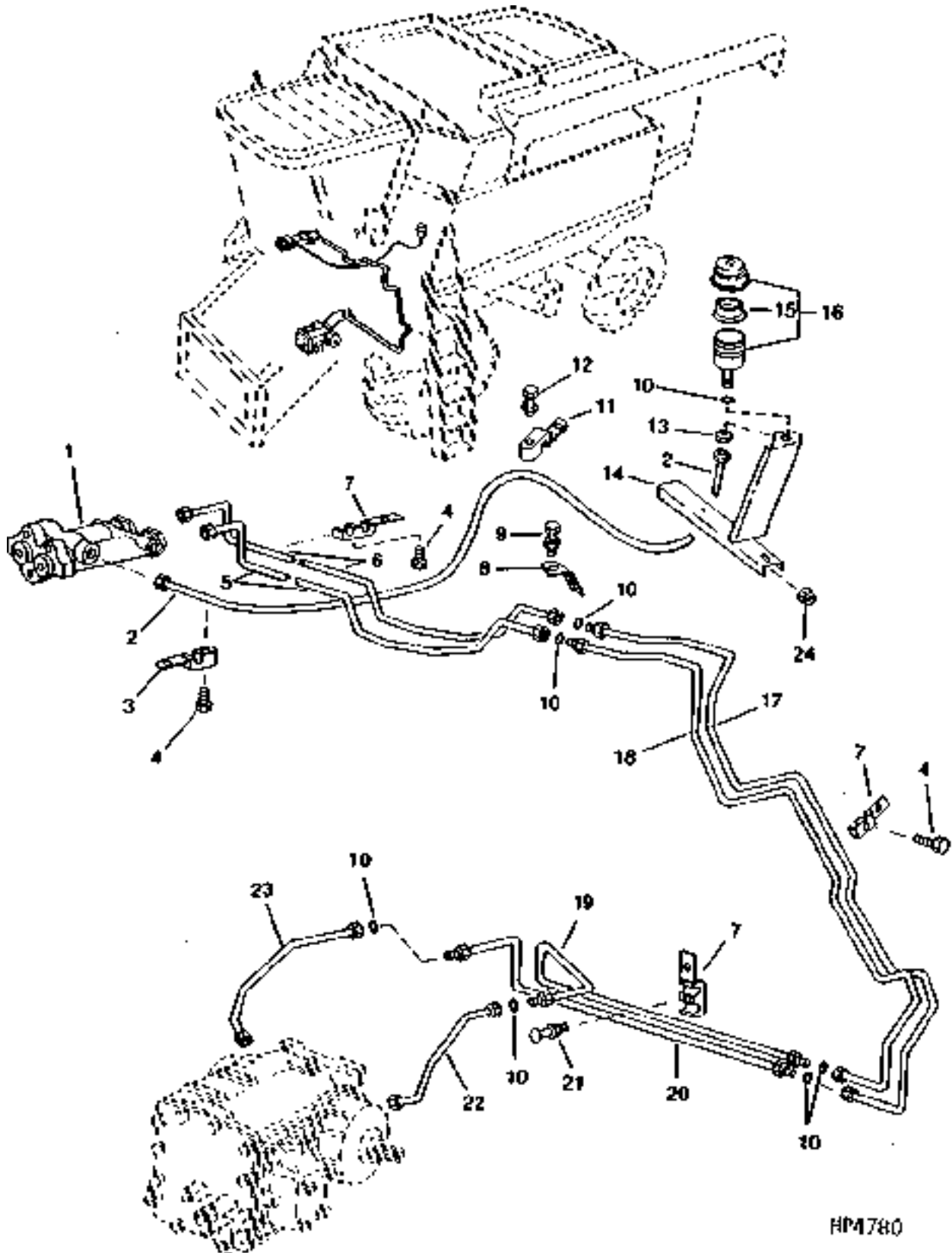
STEERING AND BRAKES

**BRAKE PEDALS AND MASTER CYLINDERS - CONTINUED**

KEY	PART NO.	PART NAME	QTY	SERIAL NO.	REMARKS
1	19M7866	SCREW	4	M8 X 20	
2	H156514	SUPPORT	1	(SUB FOR H130191) R.H.	
3	AH160136	CYLINDER	1	(SUB FOR AH136301, AH143737)	
4	H156513	SUPPORT	1	(SUB FOR H130190) L.H.	
5	19M7784	SCREW	4	M10 X 20	
6	H120389	PIN	1		
7	H120388	PIN	1		
8	H124259	STUD	2		
9	H124258	SPRING	2		
10	14M7274	NUT	2	M10	
11	H114331	PIN	2		
12	H114330	YOKE	2		
13	H172924	PEDAL	1	(SUB FOR H144270 OR H152166) L.H.	
14	H111234	SEAL	2		
15	H105005	BUSHING	4		
16	34H101	SPRING PIN	1	1/4" X 1"	
17	H95902	SPRING	1		
18	H99264	STRAP	1		
19	H172923	PEDAL	1	(SUB FOR H144269 OR H152166) R.H.	

# 3B13

BRAKE LINES, MASTER CYLINDER AND RESERVOIR  
HP4780 -UN-01JAN94



HP4780

# 3B14

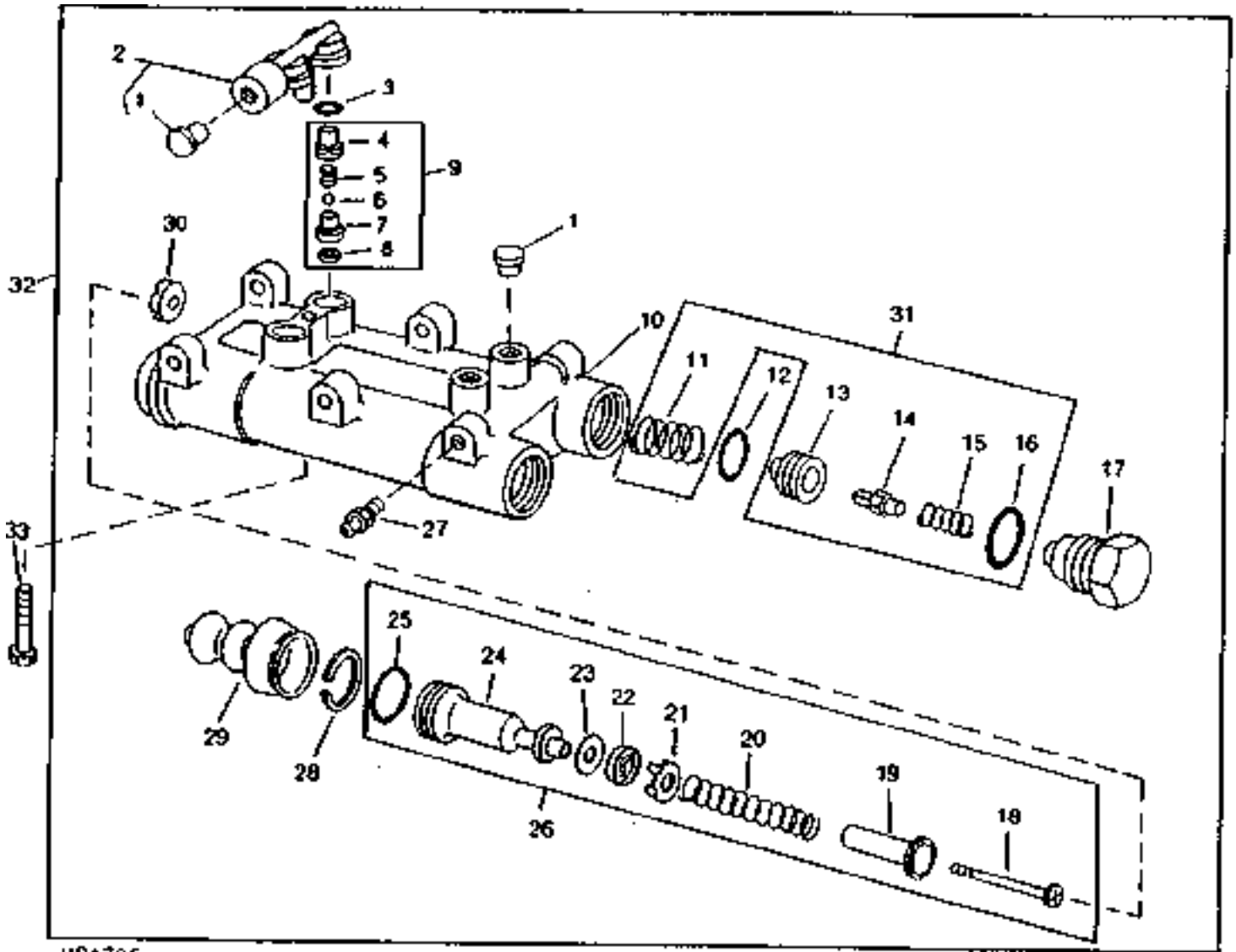
## STEERING AND BRAKES

### BRAKE LINES, MASTER CYLINDER AND RESERVOIR - CONTINUED

KEY	PART NO.	PART NAME	QTY	SERIAL NO.	REMARKS
1	AH160136	CYLINDER	1		(SUB FOR AH136301, AH143737)
2	AH130469	OIL LINE	1	-650400	
	AH141794	OIL LINE	1	650401-	
3	H112911	CLAMP	3		
4	37M7131	SCREW	9		M6 X 20
5	AH130416	OIL LINE	1	-650400	L.H.
	AH141686	OIL LINE	1	650401-	
6	AH130417	OIL LINE	1	-650400	R.H.
	AH141687	OIL LINE	1	650401-	
7	H112910	CLAMP	9		
8	H134343	BRACKET	1		
9	19M7775	SCREW	3		M6 X 16
	14M7303	FLANGE NUT	3		M6
10	H127752	O-RING	7		
11	H112911	CLAMP	1		
12	19M7775	SCREW	3		M6 X 16
	14M7303	FLANGE NUT	3		M6
13	14H832	NUT	1		9/16"
14	AH136362	SUPPORT	1		
15	H109254	DIAPHRAGM	1		
16	AH130605	RESERVOIR	1		
17	AH130612	OIL LINE	1		R.H.
18	AH130613	OIL LINE	1		L.H.
19	AH130412	OIL LINE	1		L.H.
20	AH130413	OIL LINE	1		R.H.
21	03M7290	BOLT	3		M6 X 30
	14M7303	FLANGE NUT	3		M6
22	AH128842	OIL LINE	1		
23	AH128843	OIL LINE	1		
24	14M7296	FLANGE NUT	2		M10

# 3B15

BRAKE MASTER CYLINDER  
HP4735 -UN-01JAN94



HP4735

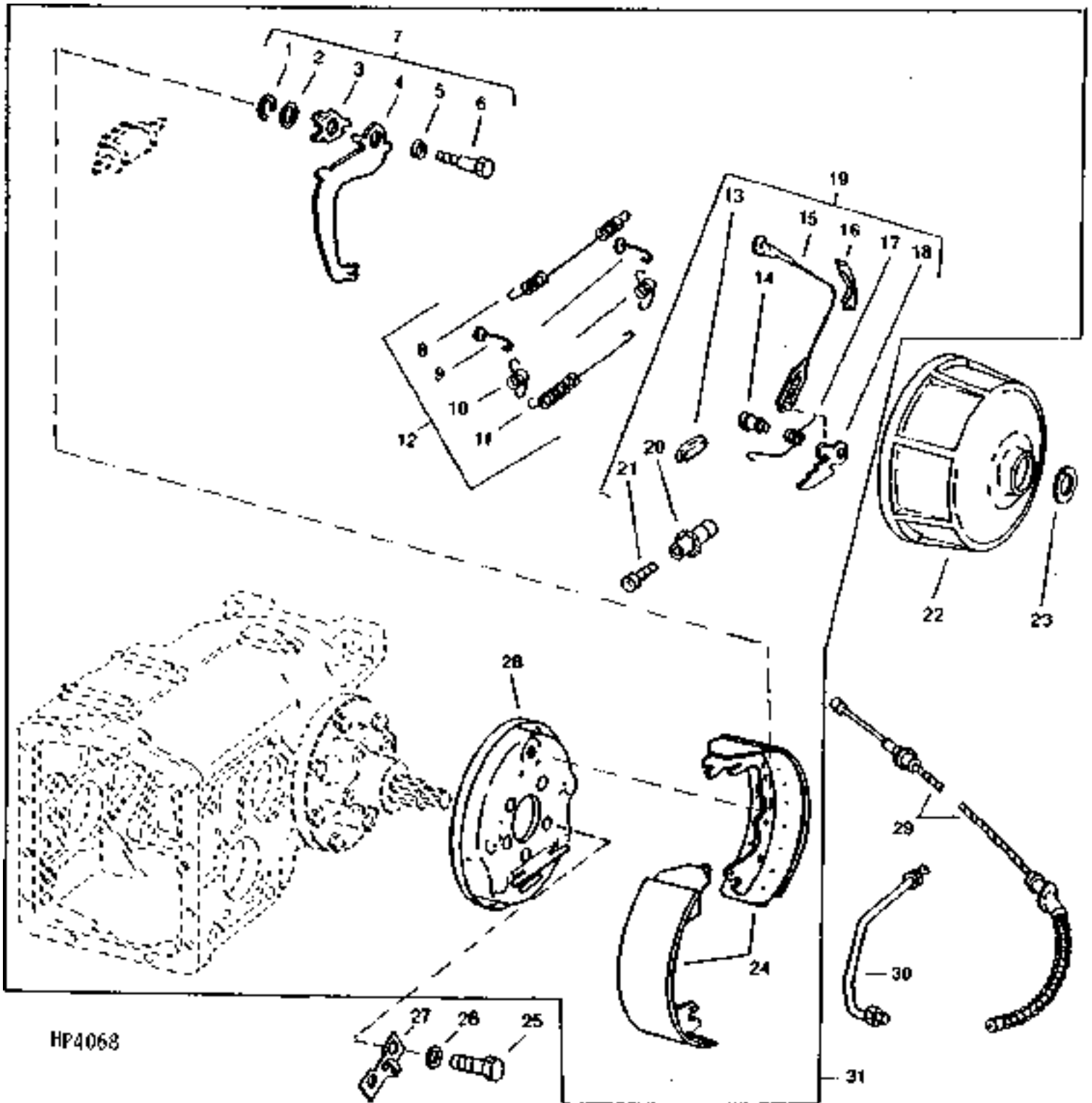
# 3B16

**BRAKE MASTER CYLINDER - CONTINUED**

KEY	PART NO.	PART NAME	QTY	SERIAL NO.	REMARKS
1	.....	SEAT	3		
2	AH136305	DEVICE	1		
3	.....	O-RING	2		(KIT AH133128)
4	.....	VALVE	2		
5	.....	SPRING	2		
6	.....	BALL	2		
7	.....	VALVE SEAT	2		
8	.....	SEAL	2		
9	AH133126	VALVE	2		
10	.....	HOUSING	1		
11	.....	SPRING	2		(A)
	H141869	SPRING	2		
12	.....	O-RING	2		(KIT AH133128)
13	.....	BEARING	2		(A)
14	.....	POPPET	2		(A)
15	.....	SPRING	2		(A)
16	.....	O-RING	2		(A)
17	H81467	FITTING PLUG	2		
18	.....	SCREW	2		
19	.....	RETAINER	2		
20	.....	SPRING	2		
21	.....	RETAINER	2		
22	.....	OIL CUP	2		
23	.....	RETAINER	2		
24	.....	PISTON	2		
25	.....	O-RING	2		
26	AH136304	PISTON	2		
27	R21612	BLEED SCREW	1		
28	.....	SNAP RING	2		(KIT AH133128)
29	.....	BOOT	2		(KIT AH133128)
30	H81461	RETAINER	2		
31	AH161485	KIT	1		(SUB FOR AH138702) (INCLUDES PARTS MARKED (A))
32	AH160136	CYLINDER	1		(SUB FOR AH136301, AH143737)
33	.....	BOLT	1		(KIT AH133128)
..	AH133128	KIT	1		

# 3B17

BRAKE SHOES AND DRUM  
(L.H. ILLUSTRATED)  
HP4068 -UN-01JAN94



HP4068

# 3B18

## STEERING AND BRAKES

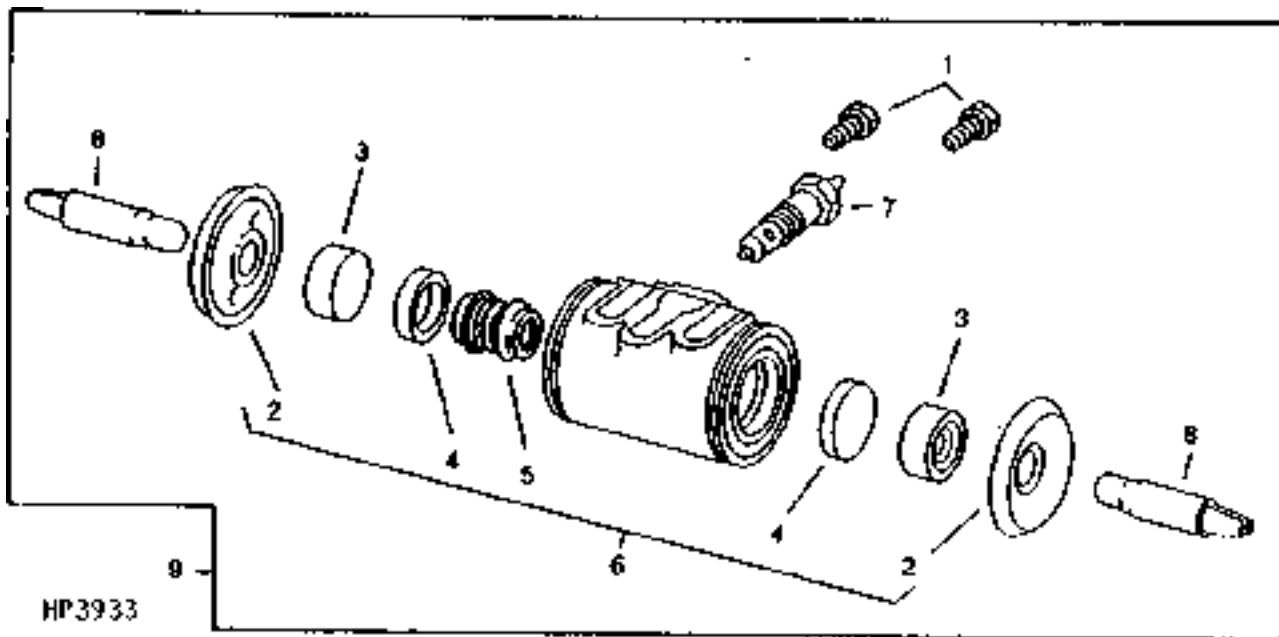
### BRAKE SHOES AND DRUM - CONTINUED (L.H. ILLUSTRATED)

KEY	PART NO.	PART NAME	QTY	SERIAL NO.	REMARKS
1	.....	SNAP RING	1		
2	.....	WASHER	1		
3	.....	CAM	1		
4	.....	LEVER	1		
5	.....	SPRING	1		
6	.....	BOLT	1		(ANCHOR PIN)
7	AH131058	KIT	1		R.H.
	AH131059	KIT	1		L.H.
8	.....	SPRING	1		(UPPER SHOE-TO-SHOE)
9	.....	LINK	2		
10	.....	SPRING	2		(LOWER SHOE-TO-SHOE)
11	.....	SPRING	2		(HOLD DOWN)
12	AH131051	KIT	1		
13	.....	COVER	1		(RUBBER)
14	.....	PIN	1		
15	.....	CABLE	1		
16	.....	GUIDE	1		
17	.....	SPRING	1		
18	.....	PAWL	1		(ADJUSTER)
19	AH131054	KIT	1		R.H.
	AH131055	KIT	1		L.H.
20	.....	WHEEL	1		
21	.....	SCREW	1		
22	CE18206	BRAKE DRUM	2		(SUB FOR H136018)
23	B32564	RING	2		
24	AH132840	BRAKE SHOE	1		R.H. AND L.H. (SET OF 4)
25	19M7597	CAP SCREW	5		M20 X 50
26	N12679	WASHER	5		20.625 X 38.100 X 3.404 MM (13/16" X 1-1/2" X 0.134")
27	H133351	GUIDE	2		
28	AH131062	KIT	1		
29	AH141582	CABLE	1		(SUB FOR AH139284)
30	AH128842	OIL LINE	1		L.H.
	AH128843	OIL LINE	1		R.H.
31	AH134304	BRAKE	1		R.H.
	AH134305	BRAKE	1		L.H.

NOTE: QUANTITIES SHOWN ARE FOR ONE UNIT. TWO UNITS USED PER MACHINE.

# 3B19

**BRAKE SLAVE CYLINDER**  
HP3933 -UN-01JAN94



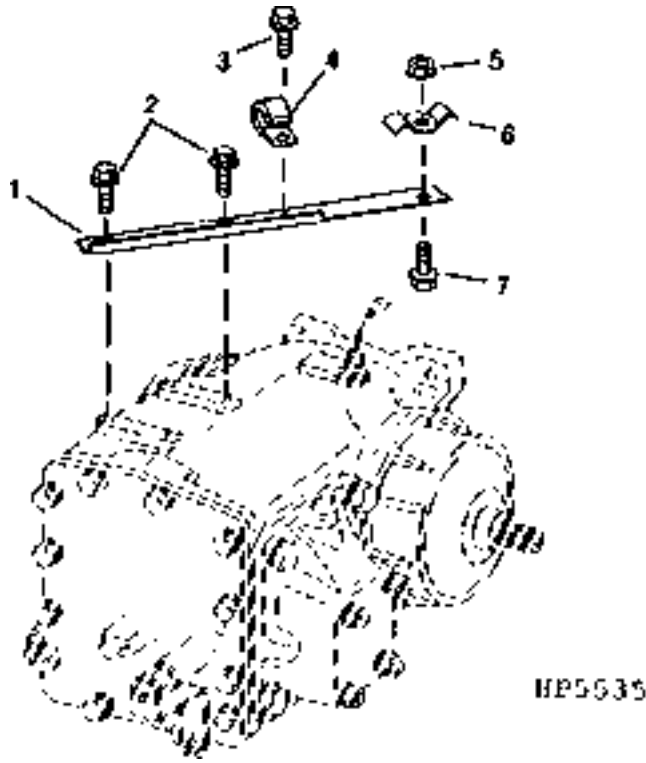
KEY	PART NO.	PART NAME	QTY	SERIAL NO.	REMARKS
1	AW12765	SCREW	2		7.925 X 13.462 MM, (SUB 12M7032 AND 19H2020) (WITH LOCK WASHER)
	12M7032	LOCK WASHER	2		8.400 MM
	19H2020	CAP SCREW	2		5/16" X 1/2"
2	.....	BOOT	2		(KIT AH131045)
3	.....	PISTON	2		
4	.....	SEAL	2		(KIT AH131045)
5	.....	SPRING	1		(KIT AH131045)
6	AH131045	HYDRAULIC CYLINDER KIT	1		
7	W15277	BLEED SCREW	1		
8	H140135	LINK	2		
9	AH131048	KIT	1		R.H.
	AH131049	HYDRAULIC CYLINDER KIT	1		L.H.



# 3B20

## BRAKE CABLE SUPPORT BRACKET

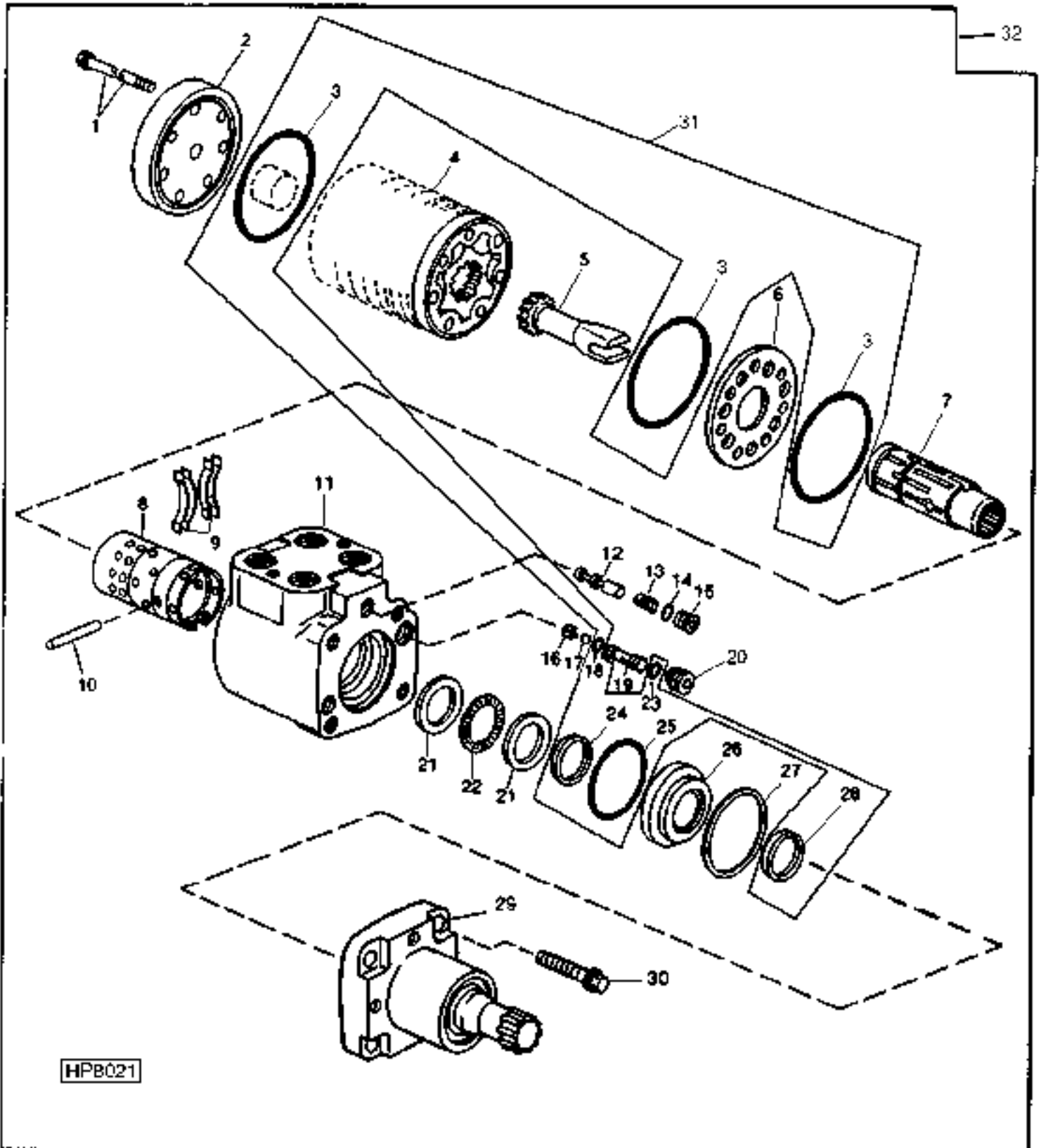
(645510- )  
HP5535 -UN-01JAN94



KEY	PART NO.	PART NAME	QTY	SERIAL NO.	REMARKS
1	H147004	SUPPORT	1		
2	19M7865	SCREW	2	M8 X 16	
3	37M7083	SCREW	1	M8 X 12	
4	AH89557	CLIP	1		
5	14M7298	FLANGE NUT	1	M8	
6	R42009	CLAMP	1		
7	19M7867	SCREW	1	M8 X 25	

# 3B21

STEERING PUMP  
HP8021 -UN-30NOV98



# 3B22

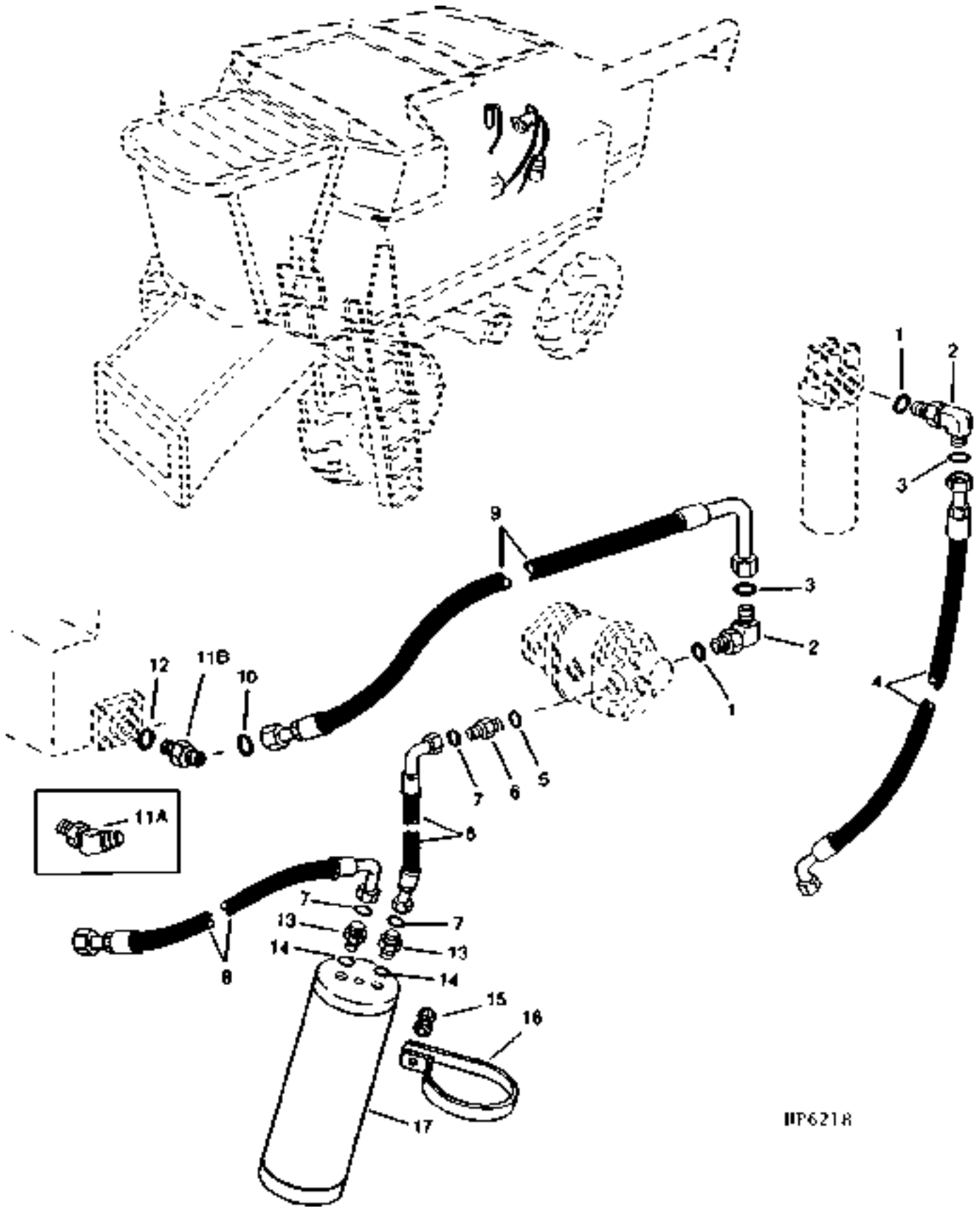
STEERING PUMP - CONTINUED

KEY	PART NO.	PART NAME	QTY	SERIAL NO.	REMARKS
1	.....	SCREW	7		
2	.....	CAP	1		
3	.....	SEAL	3	(A)	
4	.....	ROTATOR	1		
5	.....	DRIVE	1		
6	.....	SPACER	1		
7	.....	SPOOL	1		
8	.....	SLEEVE	1		
9	.....	SPRING ASSEMBLY	1		
10	.....	PIN	1		
11	.....	CONTROL	1		
12	.....	PLUNGER	1		
13	.....	SPRING	1		
14	.....	O-RING	1		
15	.....	CAP	1		
16	.....	RETAINER	1		
17	.....	BALL CHECK	1		
18	.....	O-RING	1	(A)	
19	.....	VALVE SEAT	1		
20	.....	SET SCREW	1		
21	.....	BEARING	2		
22	.....	NEEDLE BEARING	1		
23	.....	O-RING	1	(A)	
24	.....	SEAL	1	(A)	
25	.....	SEAL	1	(A)	
26	.....	BUSHING	1		
27	.....	SNAP RING	1		
28	.....	SEAL	1	(A)	
29	.....	HOUSING	1		
30	.....	SCREW	1		
31	AH142893	SEAL KIT	1		
32	AH142441	PUMP	1		(SUB FOR AH130126) (COMPLETE STEERING UNIT)
..	AT75941	SEAL KIT	1		(SEAL REPAIR) INCLUDES PARTS MARKED (A) (SUB AH142893)
..	AH142893	SEAL KIT	1		

# 3B23

## HYDRAULIC STEERING HOSES, UPPER AND ATTENUATOR

HP6218 -UN-04JAN96



HP6218

# 3B24

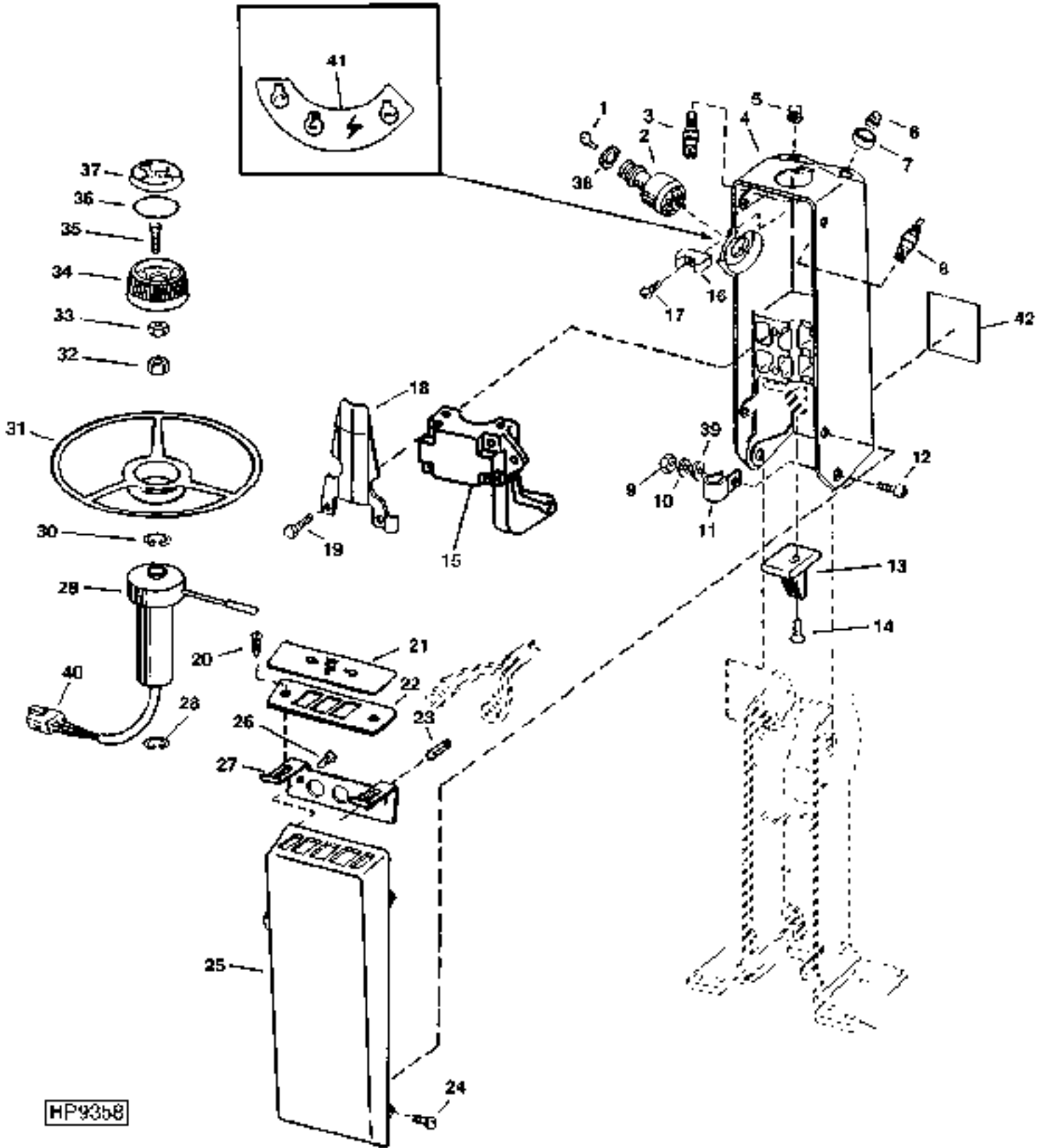
STEERING AND BRAKES

## HYDRAULIC STEERING HOSES, UPPER AND ATTENUATOR - CONTINUED

KEY	PART NO.	PART NAME	QTY	SERIAL NO.	REMARKS
1	U12547	O-RING	2		
2	38H1007	ELBOW FITTING	2		
3	T77858	O-RING	2		
4	AH126254	HYDRAULIC HOSE	1		1-3/16" X 600 MM (23-1/2") X 1" (RETURN)
5	R26375	O-RING	1		
6	38H1161	ADAPTER	1		
7	T77857	O-RING	3		
8	AH133752	HYDRAULIC HOSE	2		(PRESSURE)
9	AH147935	HYDRAULIC HOSE	1		(SUB FOR AH128744) (SUCTION)
10	T76938	O-RING	1		
11A	38H1049	ELBOW FITTING	1	-665400	
11B	38H1164	ADAPTER	1	665401-	
12	R29936	O-RING	1		
13	38H1173	ADAPTER	2		
14	R26448	O-RING	2		
15	03M7267	BOLT	2	-655679	M8 X 80
	14M7298	FLANGE NUT	2		M8
	03M7223	BOLT	2	655680-	M8 X 60
16	R35794	CLAMP	2		
17	AR75693	ATTENUATOR	1		(SUB FOR AR150551)

## STEERING COLUMN (UPPER)

HP9358 -UN-24NOV99



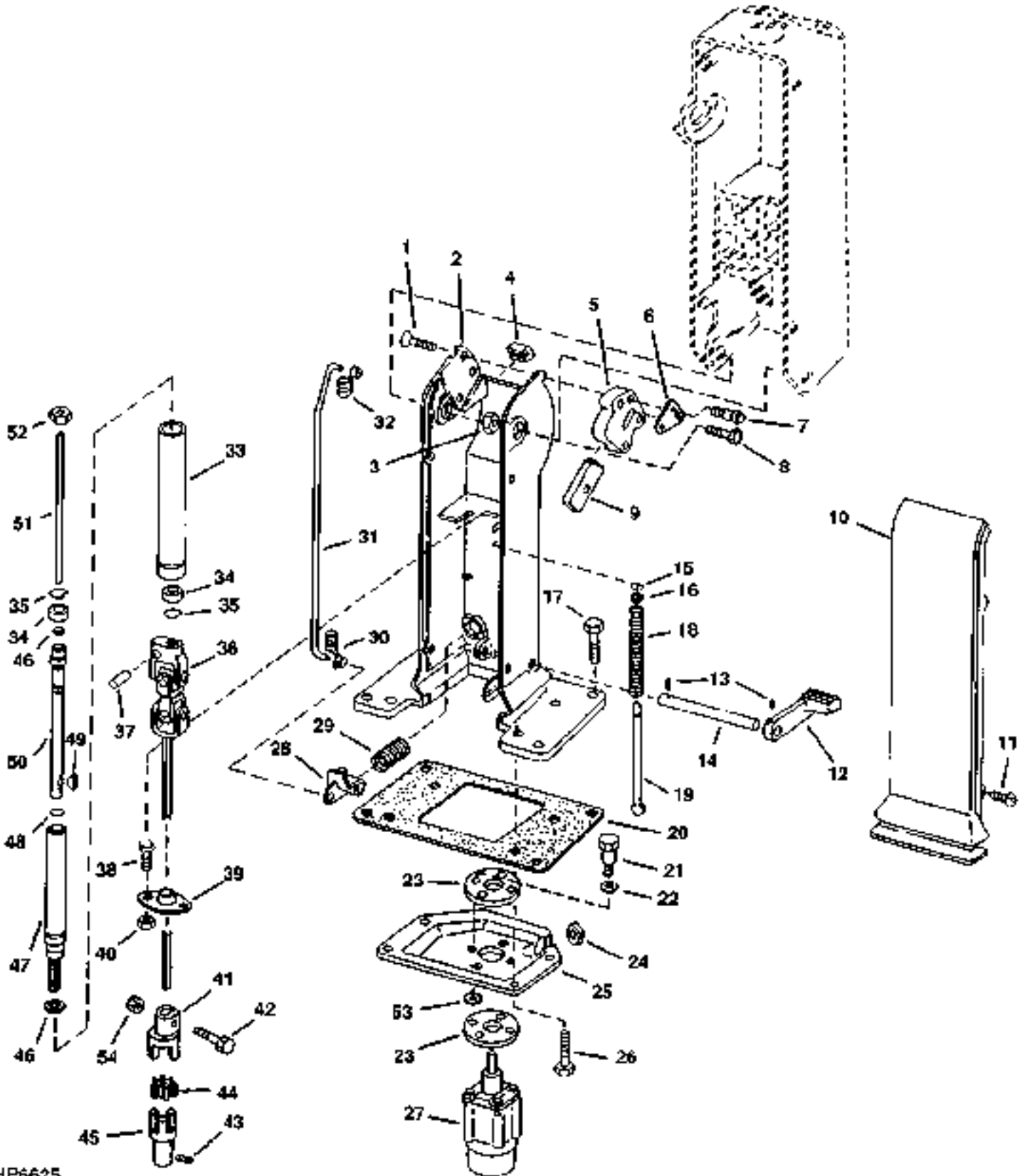
HP9358

## STEERING COLUMN (UPPER) - CONTINUED

KEY	PART NO.	PART NAME	QTY	SERIAL NO.	REMARKS
1	AR51481	KEY	1		
2	AH108816	SWITCH	1		KEY START SWITCH
3	R39554	SWITCH	1		HORN BUTTON
4	H113858	HOUSING	1		
5	T55501	CAP	1		
6	T55585	CAP	1		
7	H132895	GUARD	1		
8	R39554	SWITCH	1		ETHER AID START BUTTON
9	14M7274	NUT	2		M10
10	12M7066	LOCK WASHER	2		10.200 MM
11	AH96317	CLIP	1		(SUB FOR AH89486)
12	H107687	SCREW	2		M10 X 23
13	H110812	GEAR	1		
14	H133205	SCREW	2		M8 X 25
15	H150383	CLAMP	1		(SUB FOR H113279)
16	H113863	GUIDE	1		
17	37M7071	SCREW	1		
18	AH129255	GUARD	1		(SUB FOR AH150611)
19	19M7800	SCREW	4		M8 X 50
20	H132899	SCREW	1		
21	H146392	PANEL	1		
	H146393	PANEL	1		(EXPORT - ITALY)
22	H146391	PANEL	1		
23	AA27536	BULB	1		
24	H130192	SCREW	4		M6 X 12
25	H123873	COVER	1		
26	37H6	SCREW	2		
27	H132897	RETAINER	1		
28	R26192	SNAP RING	1		
29	AH121340	TURN SIGNAL CONTROLLER	1		TURN SIGNAL (INCLUDES T23529 SNAP RING)
30	R26192	SNAP RING	1		
31	T22875	STEERING WHEEL	1		
32	14M7257	NUT	1		M20, (SUB FOR 14M7160)
33	14M7273	NUT	1		M8
34	H108822	KNOB	1		
35	19M3135	CAP SCREW	1		M8 X 40
36	B3690R	O-RING	1		
37	R47998	CAP	1		
38	R44342	NUT	1		
39	24M7040	WASHER	1		11 X 20 X 2 MM
40	AH116902	CONNECTOR	1		
41	H146042	LABEL	1		FOR IGNITION SWITCH

# 3C3

## STEERING COLUMN (LOWER) HP6625 -UN-27JAN97



HP6625

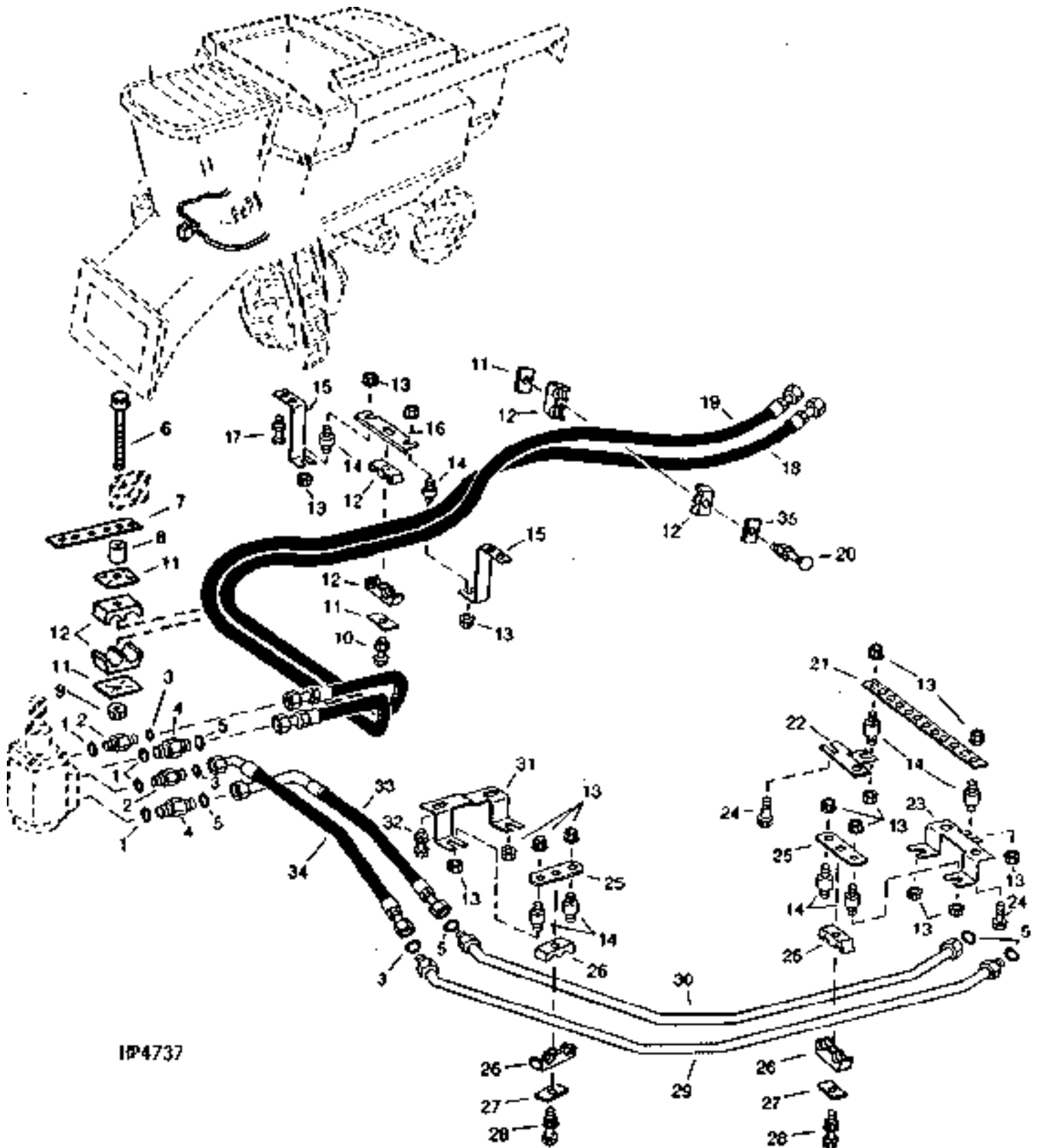


## STEERING COLUMN (LOWER) - CONTINUED

KEY	PART NO.	PART NAME	QTY	SERIAL NO.	REMARKS
1	H133205	SCREW	3		
2	H123877	HOUSING	1		M8 X 25
3	14M7274	NUT	2		M10
4	H107566	ISOLATOR	1		
5	H110310	HOUSING	1		
6	H110229	CRANK	1		
7	H131424	BOLT	2		M6 X 20.750
8	H107687	SCREW	2		M10 X 23
9	H141327	PAWL	1		(SUB FOR H109539)
10	H152172	COVER	1		(SUB FOR H123872, H147192 OR H165293)
11	H130192	SCREW	4		M6 X 12
12	H152174	PEDAL	1		(SUB FOR H107581)
13	34M7102	SPRING PIN	2		5 X 26 MM
14	H113864	PIN	1		
15	H133106	SNAP RING	1		
16	24M7055	WASHER	1		8.400 X 16 X 1.600 MM
17	19M7800	SCREW	4		M8 X 50
18	H113404	SPRING	1		
19	H113402	ROD	1		
20	H123874	SEALANT	1		
21	H110700	BOLT	4		
22	24M7028	WASHER	4		10.500 X 20 X 2 MM
23	H134353	ISOLATOR	2		
24	H108725	GROMMET	1		
25	H123875	SUPPORT	1		
26	19M7867	SCREW	4		M8 X 25
27	AH142441	PUMP	1		(SUB FOR AH130126)
28	H107582	ARM	1		
29	H107584	SPRING	1		
30	R26501	CLIP	1		
31	H131186	ROD	1		
32	R26524	CLIP	1		
33	H107567	HOUSING	1		
34	AH97920	BALL BEARING	2		
35	H80753	SNAP RING	2		
36	AH130435	UNIVERSAL JOINT, WITH SHAFT	1		(SUB AH139065, H144970, 14M7166 AND 19M7295)
37	34M7124	SPRING PIN	1		8 X 30 MM
38	19M7866	SCREW	2		M8 X 20
39	AH129236	BEARING	1		
40	14M7166	LOCK NUT	2		M8
41	H162569	COUPLING	1		(SUB FOR H144970 OR H162056)
42	19M7295	CAP SCREW	1	-28APR7	M8 X 45
	H162055	SCREW	1	28APR7-27OCT7	
	H164921	SCREW	1	27OCT7-	
43	22M7072	SET SCREW	2		M6 X 10
44	H134624	ISOLATOR	1		
45	H134623	SPLINED COUPLING	1		
46	H99294	WASHER	2		22.606 X 27.813 X 0.813 MM
47	AH130429	STEERING SHAFT	1		
48	H36256	O-RING	1		
49	H137667	SHAFT KEY	1		
50	H107570	STEERING SHAFT	1		
51	H107586	PIN	1		
52	14M7257	NUT	1		(SUB FOR 14M7160)
53	H141946	WASHER	4		8.330 X 15.880 X 1.520 MM
54	14M7166	LOCK NUT	1	-28APR7	M8
	14M7396	LOCK NUT	1	28APR7-	M8, (SUB FOR H137328)

# 3C5

STEERING HOSES AND LINES, FRONT  
HP4737 -UN-01JAN94



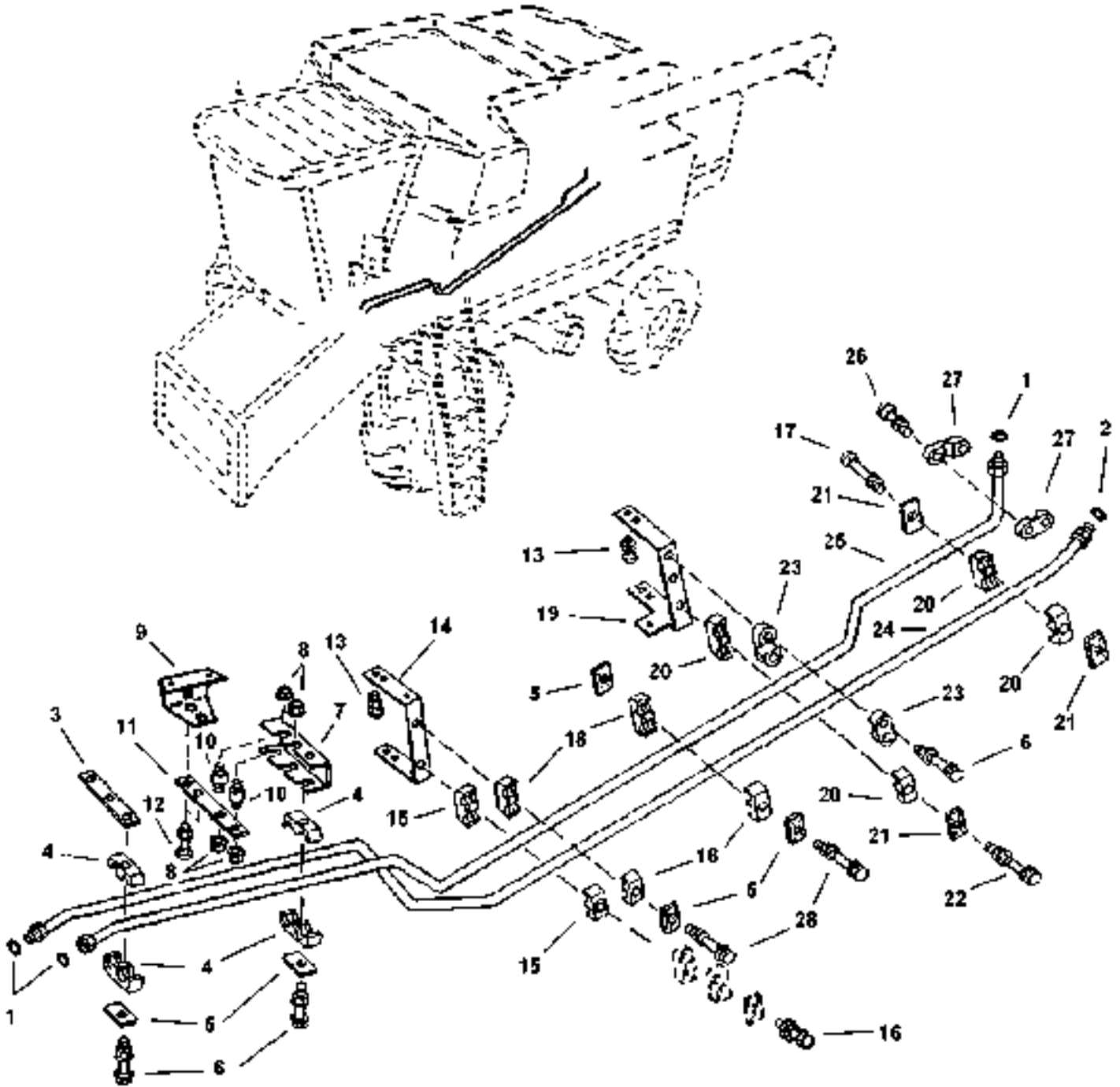
HP4737

## STEERING HOSES AND LINES, FRONT - CONTINUED

KEY	PART NO.	PART NAME	QTY	SERIAL NO.	REMARKS
1	R26375	O-RING	4		
2	38H1161	ADAPTER	2		
3	T77857	O-RING	3		
4	38H1317	FITTING	2		
5	T77932	O-RING	5		
6	19M8006	SCREW	1	M8 X 120	
7	H134558	STRAP	1		
8	H133060	SLEEVE	1		
9	14M7298	FLANGE NUT	1	M8	
10	19M7801	SCREW	1	M8 X 60	
	14M7396	LOCK NUT	1	M8	
11	H112567	PLATE	4		
12	H135155	CLAMP	6		
13	N10217	LOCK NUT	16		
14	AH126657	ISOLATOR	8		
15	H135608	BRACKET	2		
16	H134470	STRAP	1	ROUND HOLES	
17	19M7865	SCREW	4	M8 X 16	
	14M7298	FLANGE NUT	4	M8	
18	AH131546	HYDRAULIC HOSE	1	(RIGHT)	
19	AH131545	HYDRAULIC HOSE	1	13/16" X 1 800 MM (70-3/4") X 13/16" (LEFT)	
20	03M7224	BOLT	1	M8 X 65 (RD. HEAD)	
	14M7298	FLANGE NUT	1	M8	
21	H134426	STRAP	1		
22	H134427	BRACKET	1		
23	H134424	BRACKET	1		
24	37M7058	SCREW	4	M8 X 20	
25	H134425	STRAP	2		
26	H120847	CLAMP	4		
27	H121168	PLATE	2		
28	19M8318	SCREW	2	M8 X 45	
	14M7298	FLANGE NUT	2	M8	
29	AH131382	HYDRAULIC LINE	1	(RETURN)	
30	AH131381	HYDRAULIC LINE	1	(PRESSURE)	
31	H135619	BRACKET	1		
32	19M7865	SCREW	2	M8 X 16	
	14M7298	FLANGE NUT	2	M8	
33	AH133161	HYDRAULIC HOSE	1	1" X 600 MM (23-1/2") X 1" (PRESSURE)	
34	AH133160	HYDRAULIC HOSE	1	13/16" X 690 MM X 13/16" (RETURN)	
35	24H1347	WASHER	1	13.487 X 50.800 X 4.928 MM (17/32" X 2" X 0.194") (SUB FOR H134532)	

# 3C7

STEERING LINES, L.H. SIDE  
HP7245 -UN-07NOV97



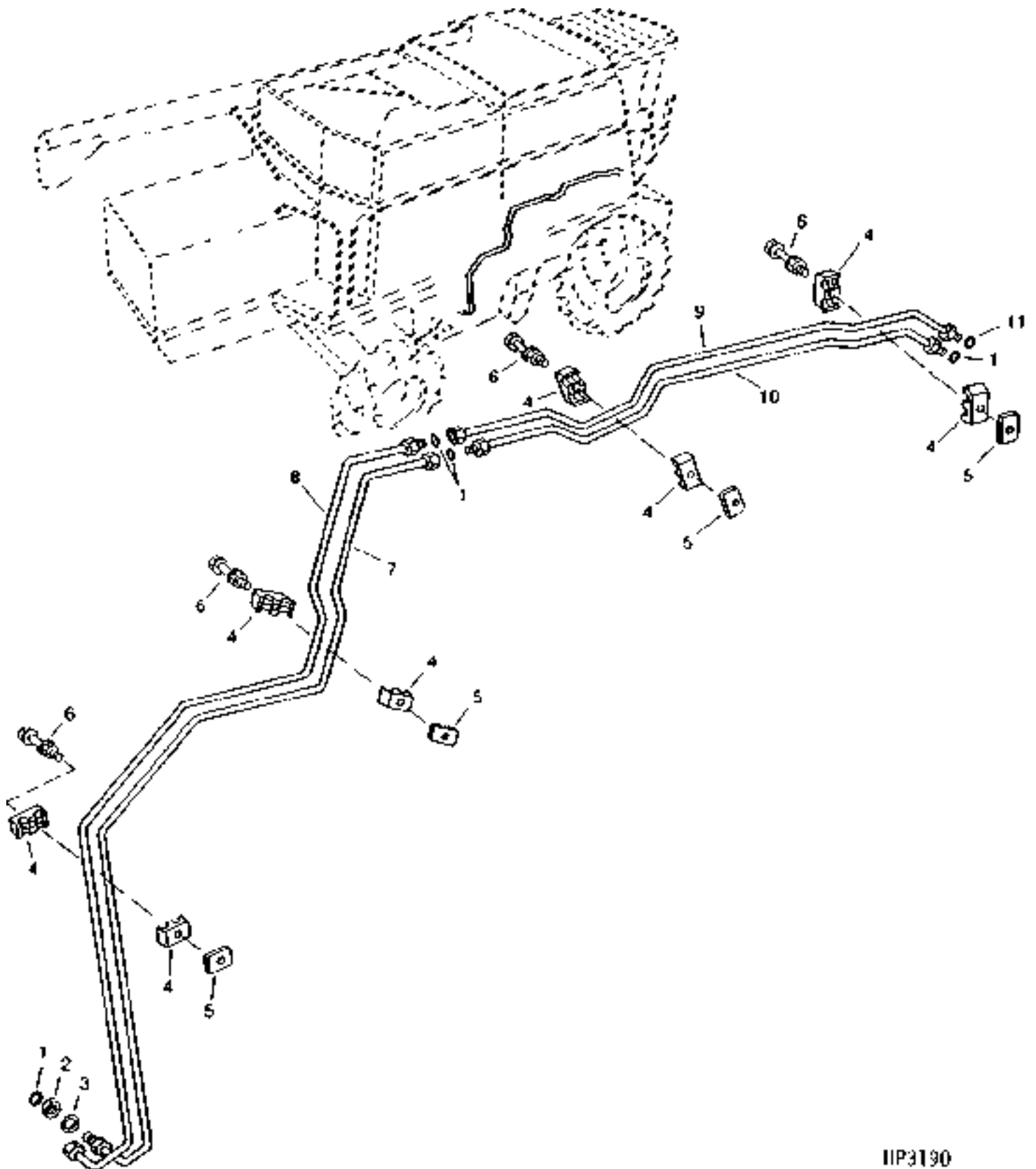
HP7245

## STEERING LINES, L.H. SIDE - CONTINUED

KEY	PART NO.	PART NAME	QTY	SERIAL NO.	REMARKS
1	T77932	O-RING	3		
2	T77857	O-RING	1		
3	H131163	STRAP	1		
4	H120847	CLAMP	2		
5	H121168	PLATE	4		
6	03M7189	BOLT	2		M8 X 45
	14M7298	FLANGE NUT	2		M8
7	H134428	BRACKET	1		
8	N10217	LOCK NUT	4		6.350 MM (1/4")
9	H138411	BRACKET	1		
10	AH126657	ISOLATOR	2		
11	H134434	SUPPORT	1		
12	03M7184	BOLT	2		M8 X 20 (RD. HEAD)
	14M7298	FLANGE NUT	2		M8
13	19M7866	SCREW	8		M8 X 20 (RD. HEAD)
	14M7396	LOCK NUT	8		M8
14	H131115	BRACKET	1		
15	H120847	CLAMP	2		
16	19M7913	SCREW	1		M8 X 90 (STACKING)
	14M7298	FLANGE NUT	1		M8
17	19M7801	SCREW	1	-29SEP7	M8 X 60
	19M7803	SCREW	1	29SEP7-	M8 X 70
	14M7298	FLANGE NUT	1		M8
18	H109046	CLAMP	4		
19	H133659	BRACKET	1		
20	H111730	CLAMP	4		
21	H112567	PLATE	3		
22	19M7979	SCREW	1		M8 X 55
	14M7298	FLANGE NUT	1		M8
23	H115533	CLAMP	2		
24	AH131316	HYDRAULIC LINE	1		(PRESSURE)
25	AH131302	OIL LINE	1		(RETURN)
26	03M7216	BOLT	2		M8 X 50 (RD. HEAD)
	14M7298	FLANGE NUT	2		M8
27	H115533	CLAMP	2		
28	19M8319	SCREW	2		M8 X 50
	14M7298	FLANGE NUT	2		M8

# 3C9

STEERING LINES, R.H. SIDE  
HP3190 -UN-01JAN94



HP3190

# 3C10

## STEERING AND BRAKES

### STEERING LINES, R.H. SIDE - CONTINUED

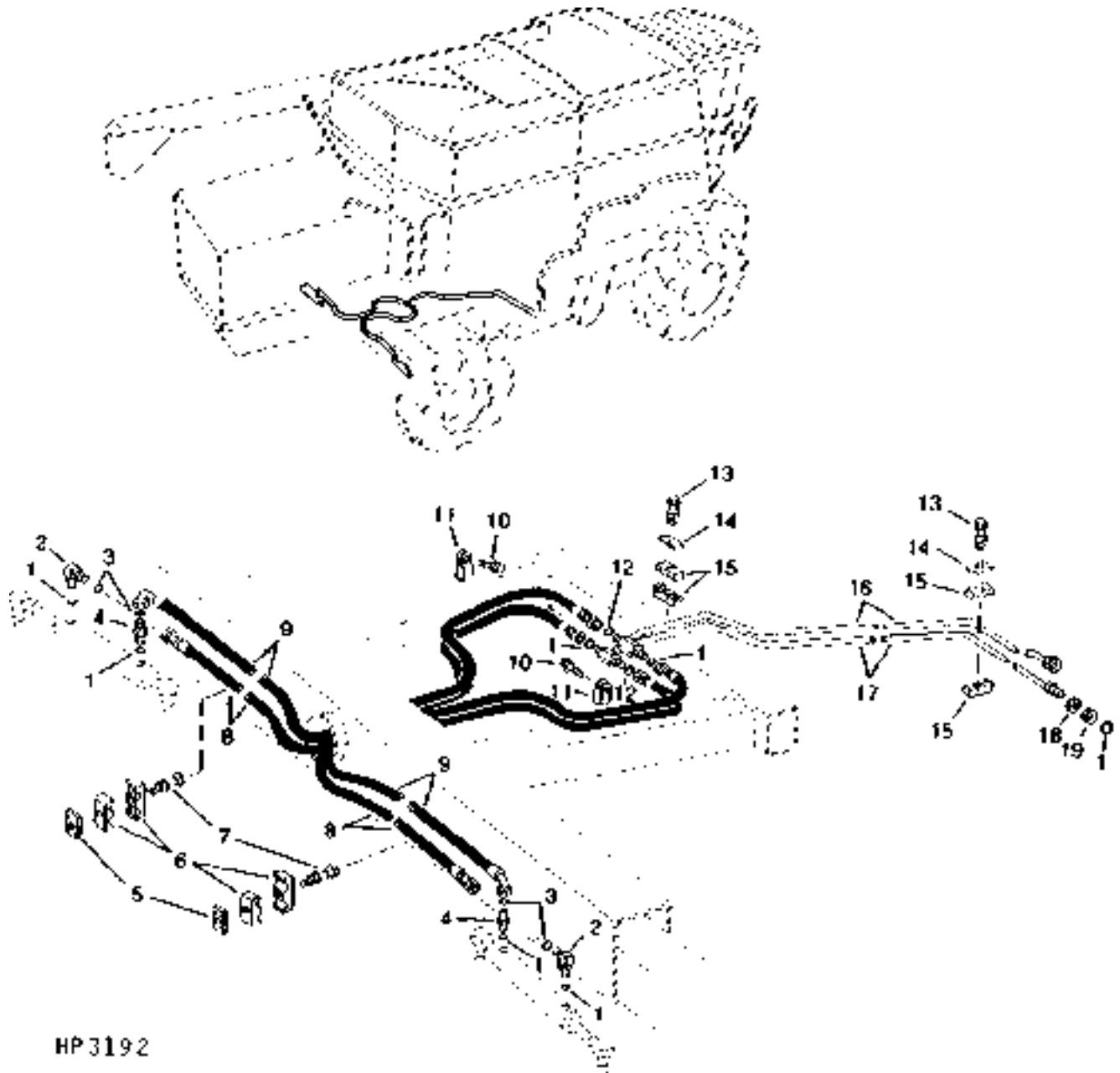
KEY	PART NO.	PART NAME	QTY	SERIAL NO.	REMARKS
1	T77613	O-RING	4		
2	T81029	NUT	1		17.475 MM, (BULKHEAD)
3	24M7114	WASHER	1		19 X 30 X 4 MM
4	H128515	CLAMP	8		
5	H121163	COVER	4		
6	03M7188	BOLT	4		M8 X 40 (RD. HEAD)
	14M7298	FLANGE NUT	4		M8
7	AH140715	HYDRAULIC LINE	1		(RIGHT)
8	AH140714	HYDRAULIC LINE	1		(LEFT)
9	AH133988	OIL LINE	1		(LEFT)
10	AH133987	OIL LINE	1		(RIGHT)
11	T77857	O-RING	1		

# 3C11

## STEERING LINES AND HOSES, REAR

(DUAL CYLINDER)

HP3192 -UN-01JAN94



HP3192

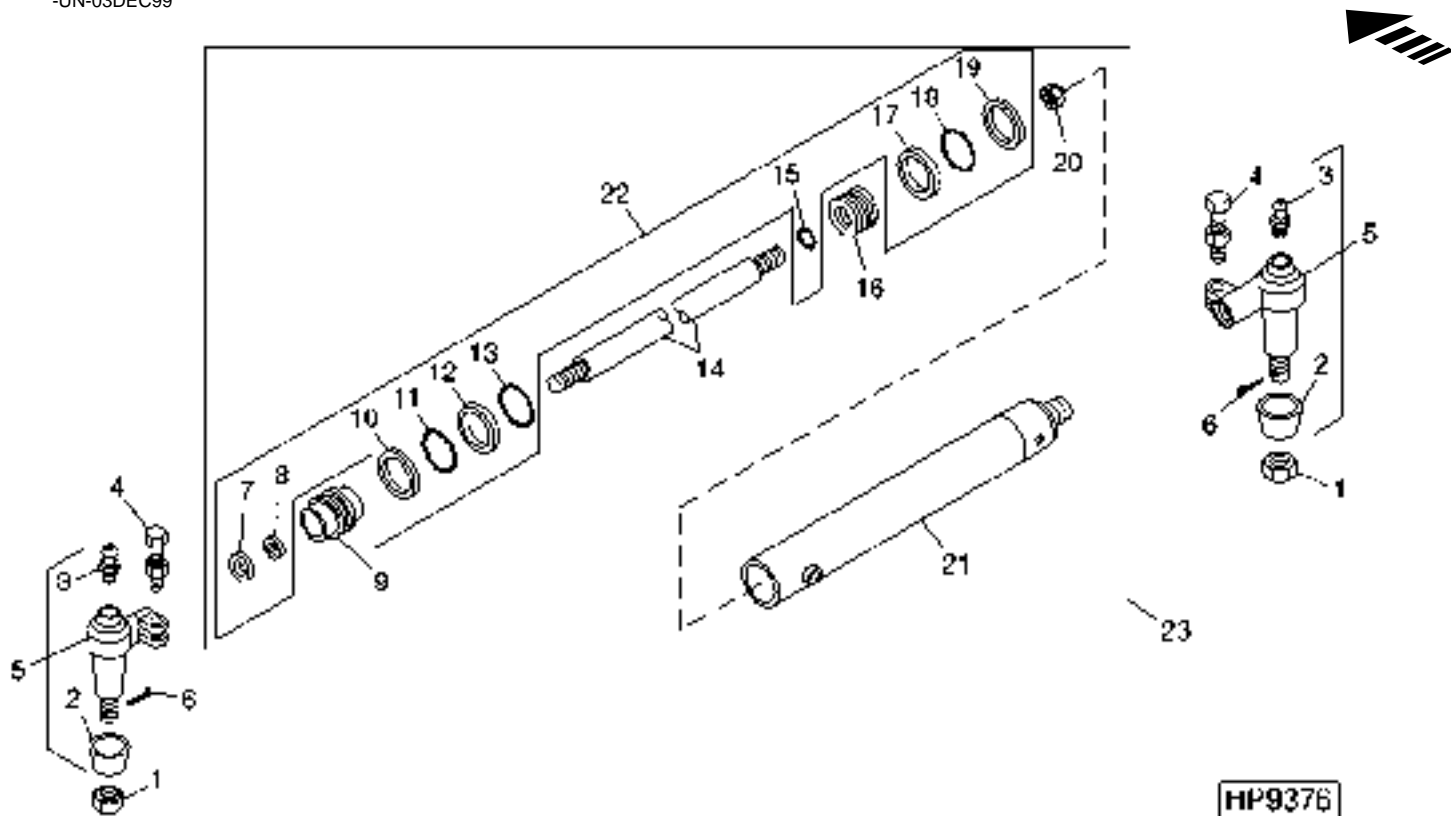


**STEERING LINES AND HOSES, REAR - CONTINUED  
(DUAL CYLINDER)**

KEY	PART NO.	PART NAME	QTY	SERIAL NO.	REMARKS
1	R26448	O-RING	4		
2	38H1004	ELBOW FITTING	2		
3	T77613	O-RING	7		
4	38H1160	ADAPTER	2		
5	H121168	PLATE	2		
6	H135156	CLAMP	4		
7	03M7280	BOLT	2	M6 X 45	
	14M7303	FLANGE NUT	2	M6	
8	AH130890	HYDRAULIC HOSE	2		9/16" X 2 452 MM (96-1/2") X 11/16"
9	AH130119	HYDRAULIC HOSE	2		
10	37M7092	SCREW	2	M8 X 16	
11	AH97280	CLIP	2		
12	T77814	O-RING	2		
13	19M8317	SCREW	2	M8 X 40	
	14M7298	FLANGE NUT	2	M8	
14	H121163	COVER	2		
15	H128515	CLAMP	4		
16	AH120872	OIL LINE	1	(RIGHT)	
17	AH120876	OIL LINE	1	(LEFT)	
18	24M7114	WASHER	1	19 X 30 X 4 MM	
19	T81029	NUT	1	17.475 MM (11/16")	

# 3C13

**STEERING CYLINDER**  
HP9376 -UN-03DEC99



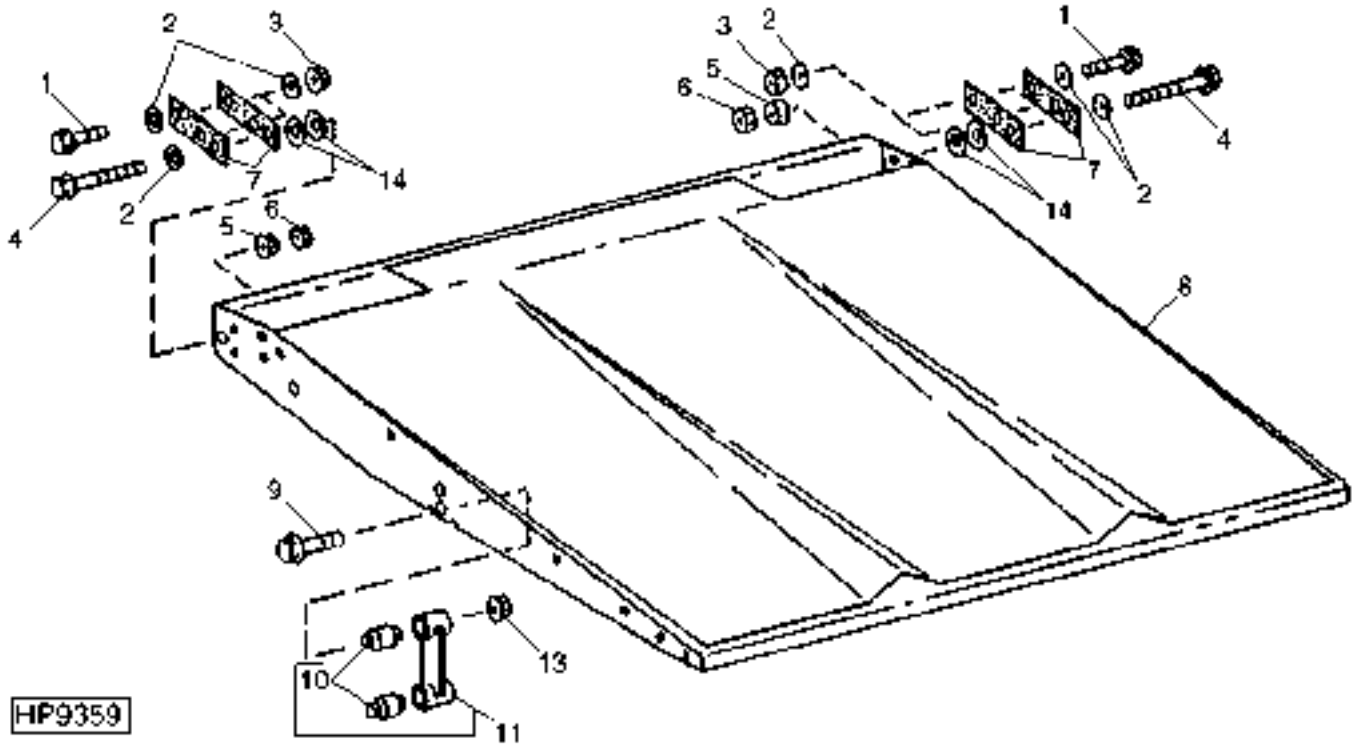
**HP9376**

KEY	PART NO.	PART NAME	QTY	SERIAL NO.	REMARKS
1	14H902	NUT	2	3/4"	
2	R78027	COVER	2		
3	JD7797	LUBRICATION FITTING	2		
4	19H1765	CAP SCREW	2	3/8" X 1-3/4" (USE WITH O.AND S.)	
	H99923	LOCK NUT	2	9.525 MM (3/8") (USE WITH O.AND S.)	
	19H1740	CAP SCREW	2	7/16" X 1-3/4" (USE WITH TRW)	
	H80440	LOCK NUT	2	11.125 MM (7/16") (USE WITH TRW)	
5	AH117566	TIE ROD END	2	(WITH COVER, ZERK AND CLAMP BOLT)	
6	11M7092	COTTER PIN	2	3.200 X 40 MM	
7	.....	SEAL	1		
8	.....	SEAL	1		
9	.....	GUIDE	1		
10	.....	SNAP RING	1		
11	.....	RING	1		
12	.....	WASHER	1		
13	.....	O-RING	1		
14	.....	ROD	1		
15	.....	O-RING	1		
16	.....	PISTON	1		
17	.....	PISTON RING	1		
18	.....	O-RING	1		
19	.....	WEAR RING	1		
20	.....	LOCK NUT	1		
21	.....	HYDRAULIC CYLINDER BARREL	1		
22	AH101202	KIT	1		
23	AH125658	HYDRAULIC CYLINDER	1		(COMPLETE COMPONENT, LESS TIE ROD ENDS)

NOTE: QUANTITIES SHOWN ARE FOR ONE UNIT. TWO UNITS USED PER MACHINE.

# 3C14

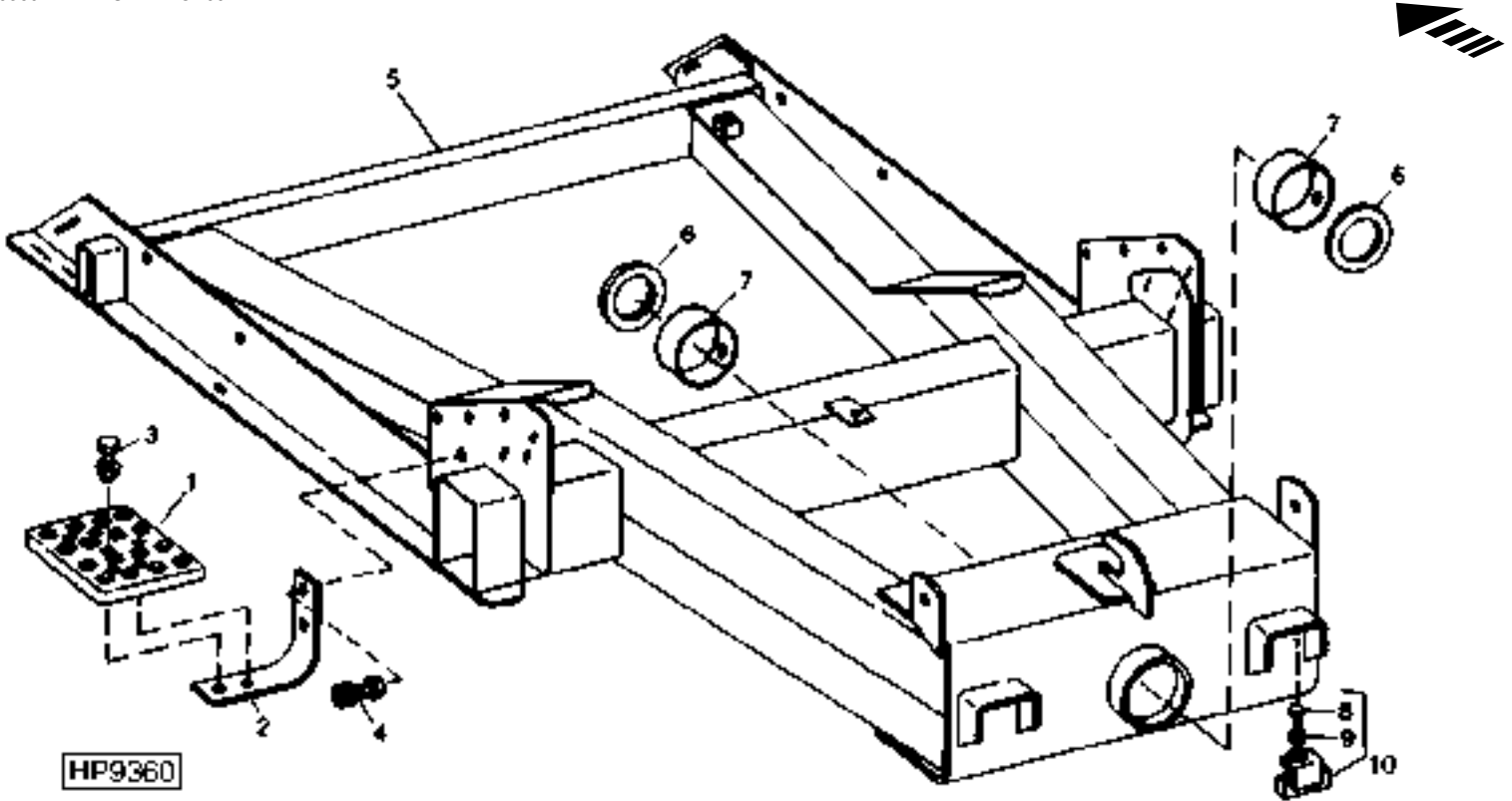
**REAR AXLE TRASH SHIELD**  
HP9359 -UN-24NOV99



KEY	PART NO.	PART NAME	QTY	SERIAL NO.	REMARKS
1	19M7807	SCREW	4	M10 X 60	
2	24M7178	WASHER	12	10.500 X 30 X 2.500 MM	
3	14M7400	LOCK NUT	4	M10	
4	19M7807	SCREW	2	M10 X 60	
5	14M7296	FLANGE NUT	2	M10	
6	14M7274	NUT	2	M10	
7	H130388	STRAP	4		
8	AH137975	FRAME	1		(SUB FOR AH128467 OR AH141040)
9	19M7819	SCREW	4	M12 X 90	
10	AH125200	BUSHING	4	-645655	
11	AH138233	LINK	2		(SUB FOR AH125973)
12	T62323	WASHER	4	13.487 X 51.054 X 3.175 MM	
13	14M7299	FLANGE NUT	4	M12	
14	24M7180	WASHER	4	13 X 37 X 3 MM	

# 3C15

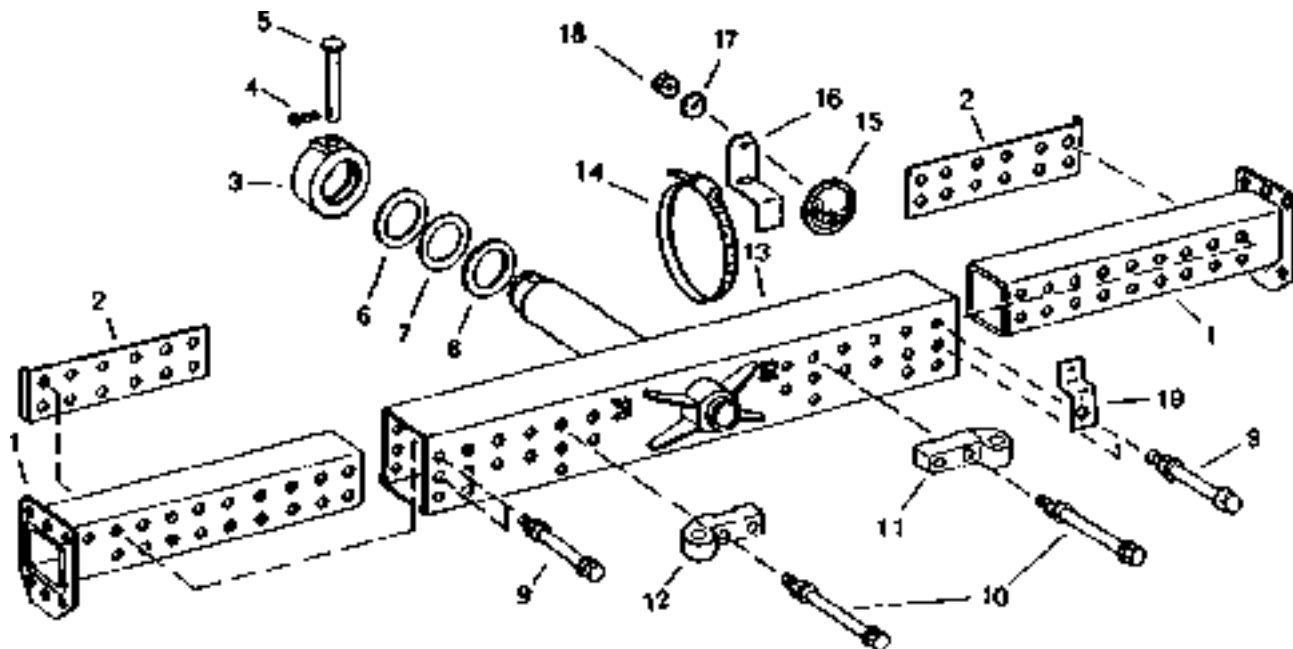
**REAR AXLE SUPPORT**  
HP9360 -UN-24NOV99



KEY	PART NO.	PART NAME	QTY	SERIAL NO.	REMARKS
1	R84943	STEP	1		
2	H133320	BRACKET	1		
3	19M7785	SCREW	2	M10 X 25	
	14M7298	FLANGE NUT	2	M8	
4	19M7835	SCREW	2	M10 X 35	
	14M7298	FLANGE NUT	2	M8	
5	AH138986	REAR AXLE SUPPORT	1		REQS. H138410 BUSHING
6	AH112284	SEAL	2		
7	H146281	BUSHING	2		
8	A50744	BOLT	2	660401-	M8 X 25
9	14M7273	NUT	2	660401-	M8
10	AH145980	STOP	2	660401-	
	H151739	REINFORCEMENT	2	660401-	

# 3C16

**REAR AXLE, ADJUSTABLE**  
HP4285 -UN-01JAN94

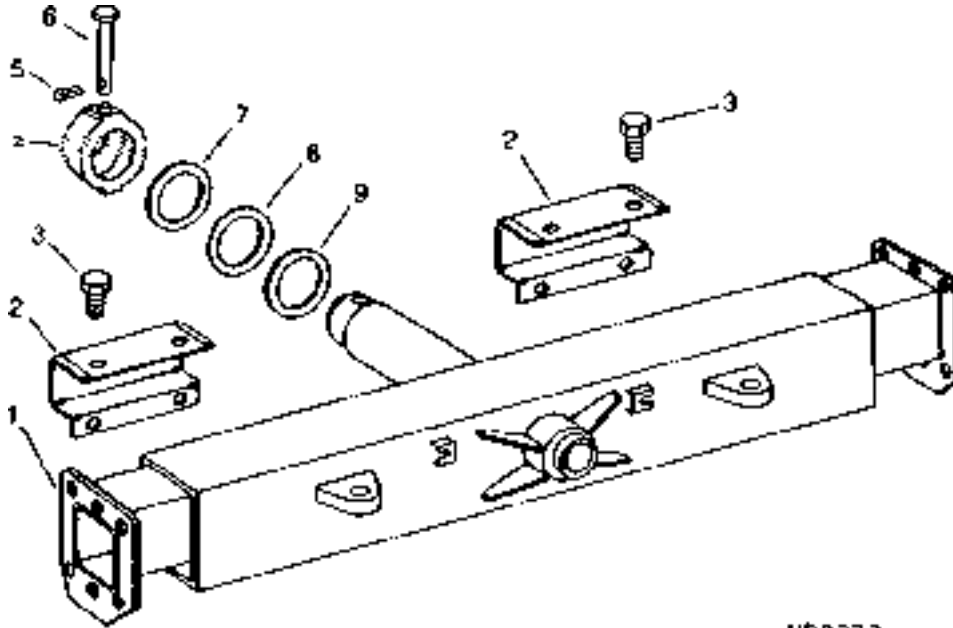


HP4285

KEY	PART NO.	PART NAME	QTY	SERIAL NO.	REMARKS
1	AH127599	TUBE	2		
2	H134549	PLATE	2		
3	H134547	BUSHING	1		
4	11M7028	COTTER PIN	1		5 X 32 MM
5	H142107	PIN	1		20 X 180 MM
6	H129709	WASHER	AR		
7	H115140	SHIM	AR		
8	H134548	WASHER	1		
9	19M7853	SCREW	8	-665400	M20 X 150 (NON-POWERED)
	19M7921	CAP SCREW	8	665401-	M20 X 150, (NON-POWERED)
	19M7853	SCREW	4	-665400	M20 X 150 (4-WHEEL DRIVE)
	19M7921	CAP SCREW	4	665400-	M20 X 150, (4-WHEEL DRIVE)
	24M7242	WASHER	8	665400-	21.400 X 42 X 5 MM
	H121472	BOLT	4		(4-WHEEL DRIVE) (CONVERSION)
	14M7300	FLANGE NUT	8		M20
10	19M7645	SCREW	4		M20 X 200
	14M7300	FLANGE NUT	4		M20
11	H130224	ANCHOR	1		(R.H.)
12	H130223	ANCHOR	1		(L.H.)
13	AH134813	REAR AXLE	1		
14	AH130230	HOSE CLAMP	2		EXPORT, THIS APPLICATION ONLY
15	L39871	REFLECTOR	2		EXPORT ONLY
16	H137955	CLAMP	2		EXPORT ONLY
17	12M7064	LOCK WASHER	2		5.100 MM, EXPORT, THIS APPLICATION ONLY
18	14M7297	NUT	2		M5, EXPORT, THIS APPLICATION ONLY
19	H139487	BRACKET	1	-665400	

# 3C17

**FIXED REAR AXLE**  
**(GRAIN) (655542- )**  
 HP3373 -UN-01JAN94



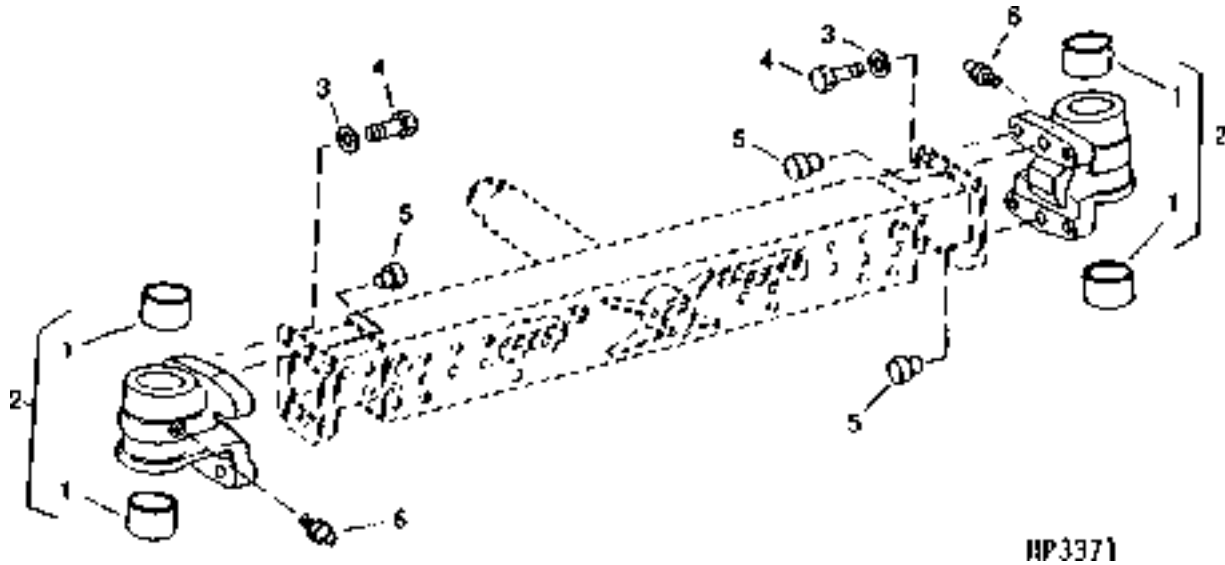
**HP3373**

KEY	PART NO.	PART NAME	QTY	SERIAL NO.	REMARKS
1	AH134814	AXLE	1		
2	H136115	SHIELD	2		(4-WHEEL DRIVE ONLY)
3	37M7086	SCREW	8		M10 X 20 (4-WHEEL DRIVE ONLY)
4	H134547	BUSHING	1		
5	11M7028	COTTER PIN	1		5 X 32 MM
6	H142107	PIN	1		20 X 180 MM
	H142107	PIN	1		20 X 180 MM (0.787" X 7.087")
7	H129709	WASHER	AR		128 X 158 X 1.270 MM (5.039" X 6.220" X 0.050")
8	H115140	SHIM	AR		0.635 MM (0.025")
9	H134548	WASHER	1		128 X 158 X 3 MM (5.039" X 6.220" X 0.118")
..	C16071	SEALANT	1		

# 3C18

**REAR AXLE SPINDLE HOUSING  
(FIXED AND ADJUSTABLE REAR AXLE)**

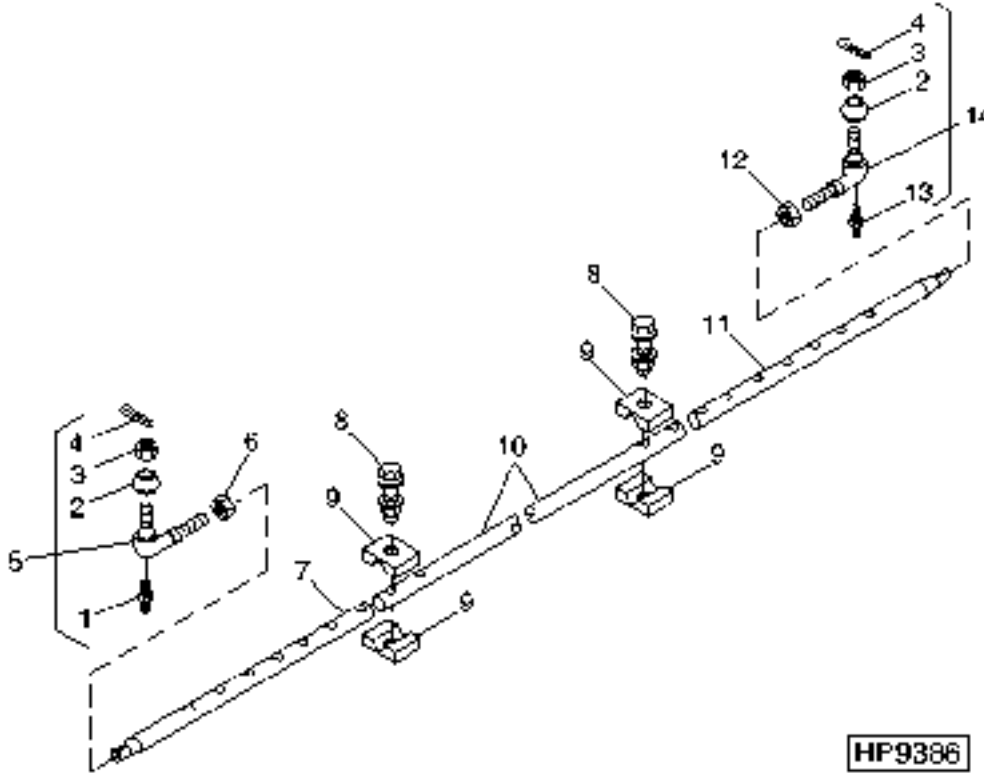
HP3371 -UN-01JAN94



KEY	PART NO.	PART NAME	QTY	SERIAL NO.	REMARKS
1	H158884	BUSHING	4		(SUB FOR H94946)
2	AH126808	HOUSING	2		
3	H144293	WASHER	8		0.787" X 1.772" X 0.394"
4	H86161	BOLT	8	-655541	19.050 X 57.150 MM (3/4" X 2-1/4")
	19H3126	CAP SCREW	8	655542-	
5	H75423	PIN	4		22.073 X 19.812 MM (0.869" X 0.780")
6	JD7759	LUBRICATION FITTING	2		

# 3C19

**STEERING TIE RODS  
(ADJUSTABLE REAR AXLE)  
(NON-POWERED AND 4-WHEEL DRIVE)**  
HP9386 -UN-03DEC99

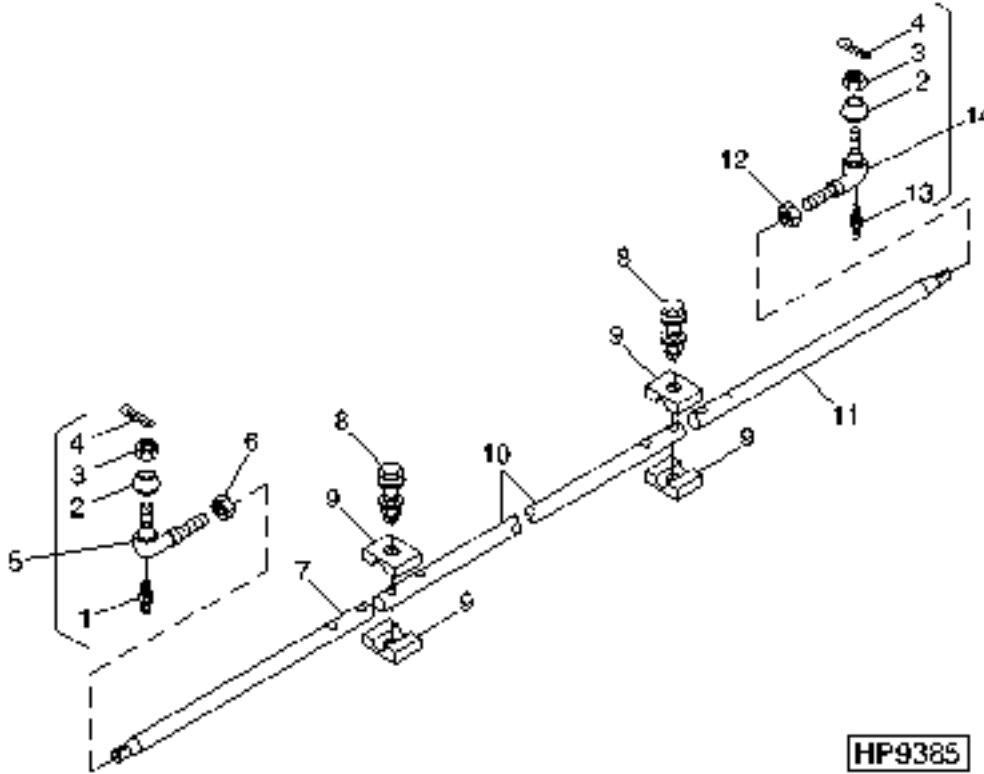


KEY	PART NO.	PART NAME	QTY	SERIAL NO.	REMARKS
1	JD7797	LUBRICATION FITTING	1		
2	R78027	COVER	2		(TRW ONLY)
3	14H902	NUT	2		3/4"
4	11M7092	COTTER PIN	2		3.200 X 40 MM
5	RE12326	TIE ROD END	1		(L.H.THREAD)
6	R78026	NUT	1		28.575 MM (1-1/8") (L.H.)
7	H130227	TUBE	1		(L.H.)
8	19M7820	SCREW	4		M12 X 100
	14M7401	LOCK NUT	4		M12
9	H139807	CLAMP	8		
10	H140382	TUBE	1		(CENTER)(NON-POWERED REAR AXLE)
	H140383	TUBE	1		
11	H130228	TUBE	1		(R.H.THREAD) CAN BE REVERSED IN INSTALLATION, - FIT TIE ROD ENDS BY LH OR RH THREAD.
12	R78025	LOCK NUT	1		(R.H.)
13	JD7806	LUBRICATION FITTING	1		90° X 19.050 MM LONG (3/4" LONG)
14	RE12325	TIE ROD END	1		(R.H.THREAD)



# 3C20

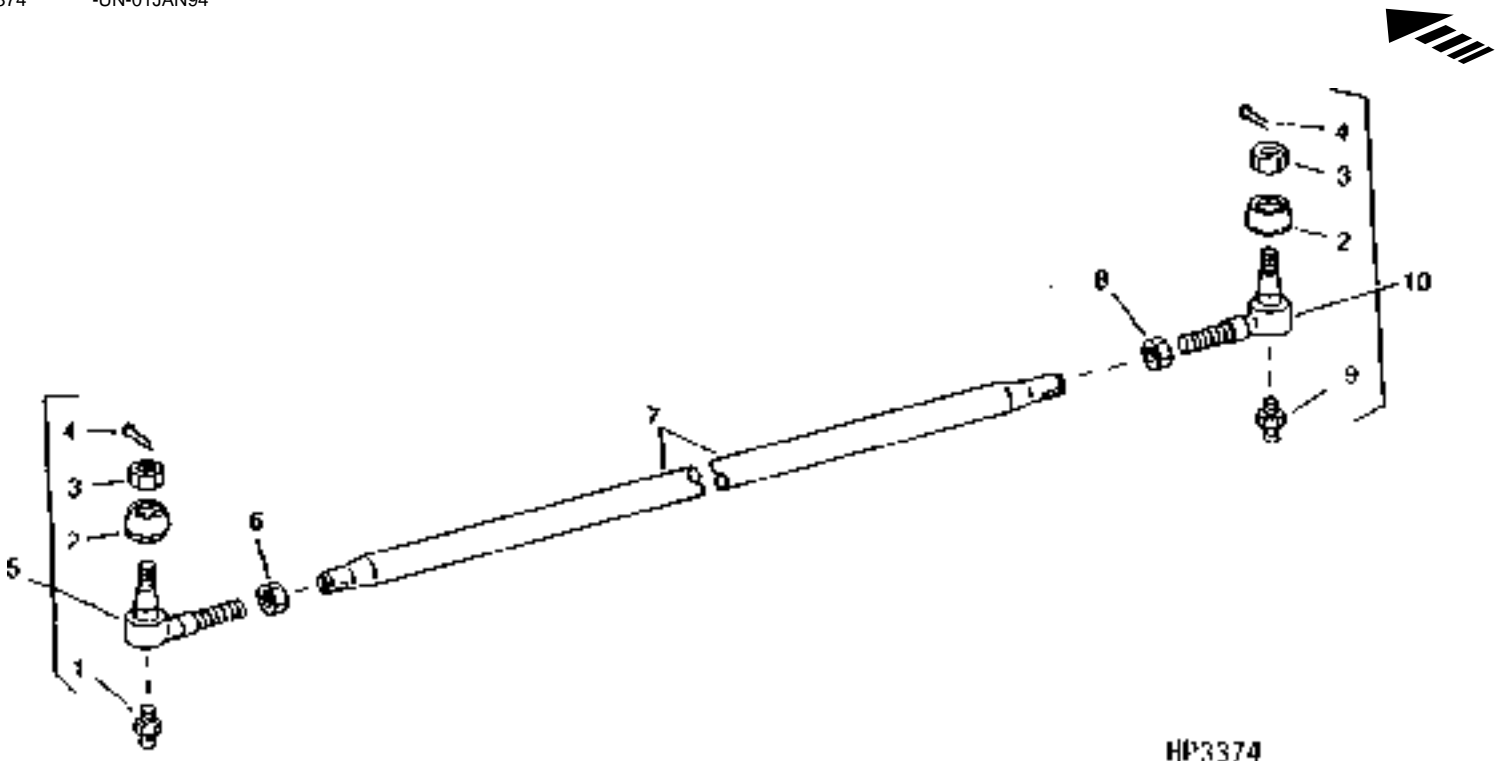
STEERING TIE RODS - GRAIN (655542- )  
 (FIXED REAR AXLE)  
 (4-WHEEL DRIVE)  
 HP9385 -UN-03DEC99



KEY	PART NO.	PART NAME	QTY	SERIAL NO.	REMARKS
1	JD7797	LUBRICATION FITTING	1		
2	R78027	COVER	2		(TRW ONLY)
3	14H902	NUT	2		3/4"
4	11M7092	COTTER PIN	2		3.200 X 40 MM
5	RE12326	TIE ROD END	1		(L.H.THREAD)
6	R78026	NUT	1		28.575 MM (1-1/8") (L.H.)
7	H136335	TUBE	1		(L.H.)
8	19M7820	SCREW	4		M12 X 100
	14M7401	LOCK NUT	4		M12
9	H139807	CLAMP	8		
10	H140382	TUBE	1		
11	H136334	TUBE	1		(R.H.)
12	R78025	LOCK NUT	1		28.575 MM (1-1/8") (R.H.)
13	JD7788	LUBRICATION FITTING	1		45° X 20.574 MM LONG (0.810" LONG)
14	RE12325	TIE ROD END	1		(R.H.THREAD)

# 3C21

STEERING TIE RODS - GRAIN (655542- )  
 (FIXED REAR AXLE)  
 (NON-POWERED)  
 HP3374 -UN-01JAN94

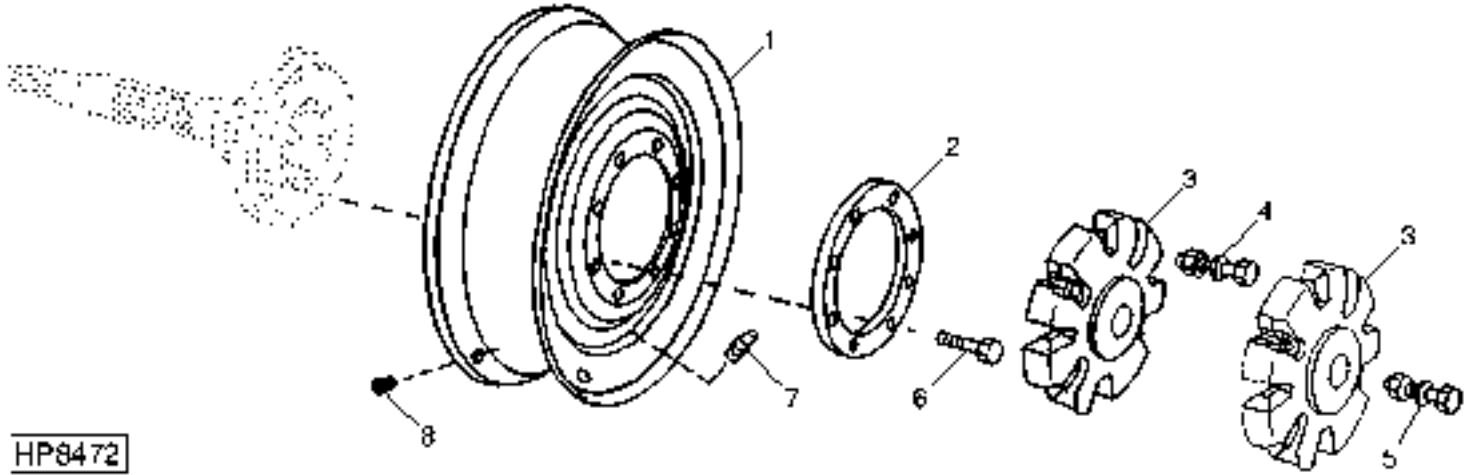


HP3374

KEY	PART NO.	PART NAME	QTY	SERIAL NO.	REMARKS
1	JD7797	LUBRICATION FITTING	1		
2	R78027	COVER	2		(TRW ONLY)
3	14H902	NUT	2		3/4"
4	11M7092	COTTER PIN	2		3.200 X 40 MM
5	RE12326	TIE ROD END	1		(L.H.THREAD)
6	R78026	NUT	1		28.575 MM (1-1/8") (L.H.)
7	H134557	TUBE	1		CAN BE REVERSED IN INSTALLATION. FIT TIE ROD END BY LEFT HAND OR RIGHT HAND THREAD.
8	R78025	LOCK NUT	1		28.575 MM (1-1/8") (R.H.)
9	JD7806	LUBRICATION FITTING	1	-641842	90° X 19.050 MM LONG (3/4" LONG) (R.H.)
	JD7788	LUBRICATION FITTING	1	641843-	
10	RE12325	TIE ROD END	1		(R.H.THREAD)

**REAR WHEELS**  
**(4-WHEEL DRIVE / CAM LOBE MOTOR)**

HP8472 -UN-21APR99



**HP8472**

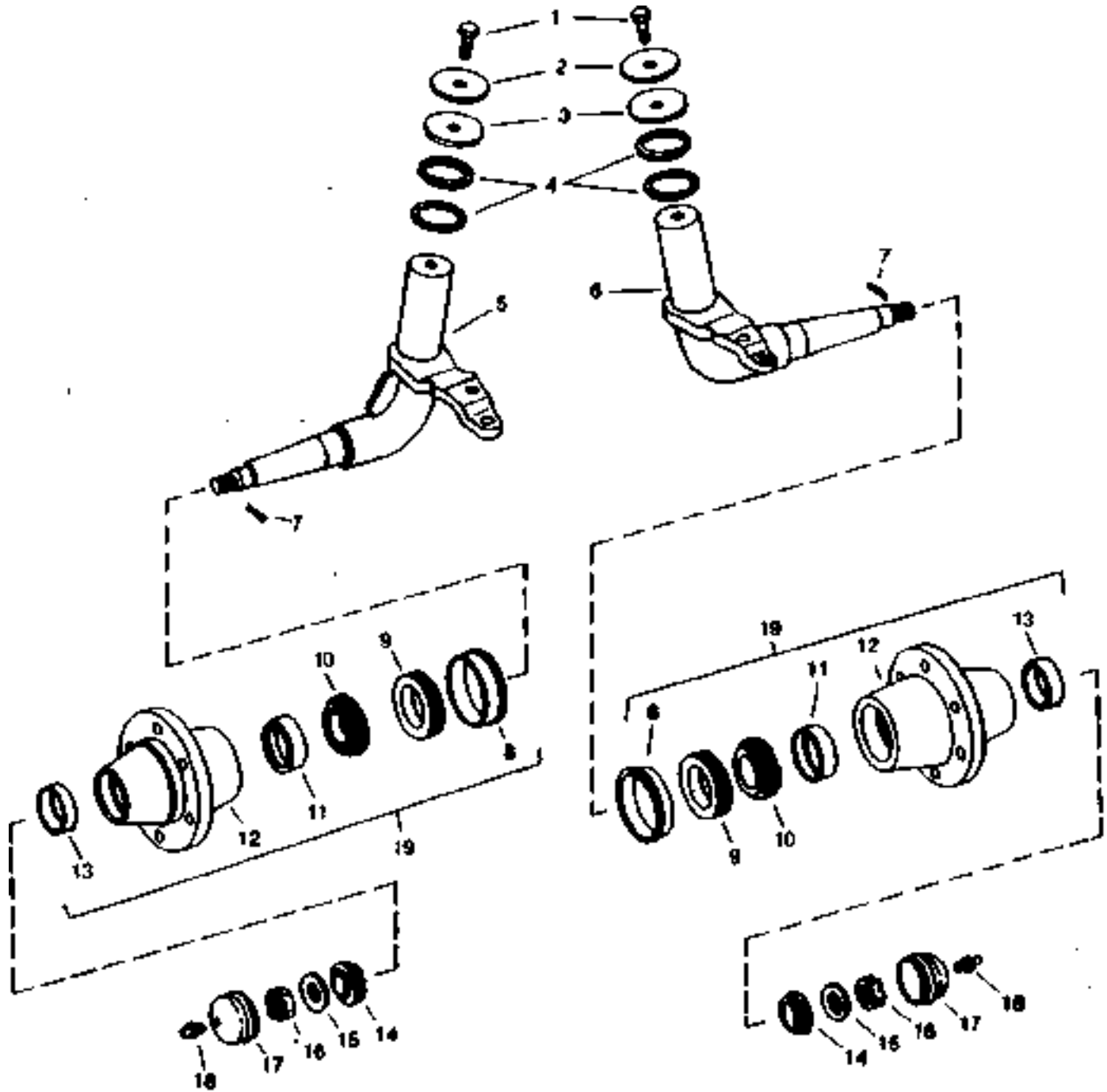
KEY	PART NO.	PART NAME	QTY	SERIAL NO.	REMARKS
1	AH138809	WHEEL	1		DEMOUNTABLE (USE WITH 18.4 X 30 TIRE)
2	H84375	RING	1		
3	H103543	WEIGHT	2	-650400	(OPTIONAL) NO LONGER AVAILABLE FOR SERVICE
4	03H2075	BOLT	4		5/8" X 3"
	12H294	LOCK WASHER	4		5/8"
	14H1039	NUT	4		5/8"
5	03H1858	BOLT	4		5/8" X 3-1/2"
	12H294	LOCK WASHER	4		5/8"
	14H1039	NUT	4		5/8"
6	19H3343	CAP SCREW	8		5/8" X 2"
7	AT25226	TIRE VALVE STEM	1		(USE WITH TUBELESS TIRES)
8	AH86866	PLUG	1		(USE WITH TUBELESS TIRES)
..	H145995	LABEL	2		"IMPORTANT" WHEEL BOLT TORQUE
..	H108604	LABEL	2		"IMPORTANT" WHEEL BOLT TORQUE
..	<b>BH71727</b>	<b>COMPLETE GOODS/SHIP. BUNDLE</b>	1		<b>WHEEL WEIGHTS - OUTSIDE</b>
..	<b>BH71728</b>	<b>COMPLETE GOODS/SHIP. BUNDLE</b>	1		<b>WHEEL WEIGHTS - AUXILIARY</b>
..	<b>BH71735</b>	<b>COMPLETE GOODS/SHIP. BUNDLE</b>	1		<b>WHEEL WEIGHTS - OUTSIDE</b>

NOTE: QUANTITIES SHOWN ARE FOR ONE UNIT. TWO UNITS USED PER MACHINE.

# 3C23

REAR AXLE SPINDLES (FOR 14.9 - 24 TIRES)  
(FIXED AND ADJUSTABLE REAR AXLE)

HP5915 -UN-14FEB95

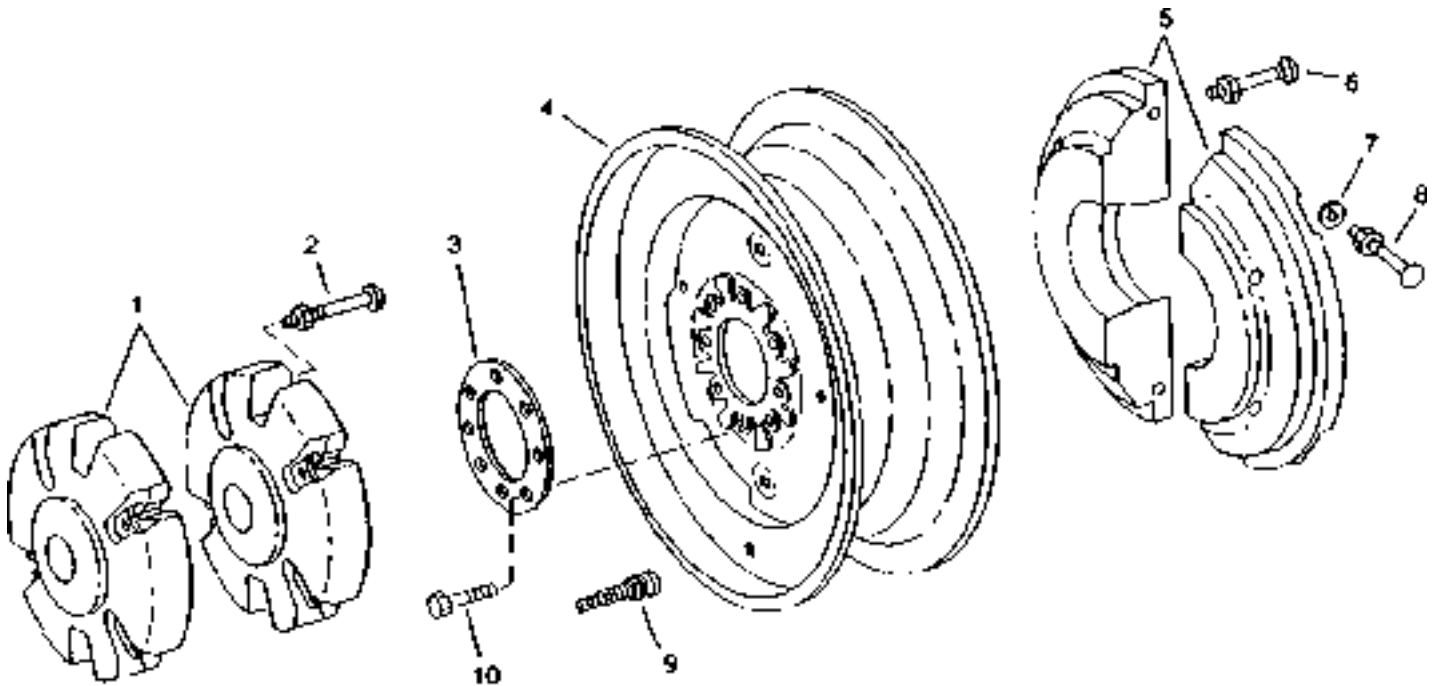


HP5915

**REAR AXLE SPINDLES (FOR 14.9 - 24 TIRES) - CONTINUED  
(FIXED AND ADJUSTABLE REAR AXLE)**

KEY	PART NO.	PART NAME	QTY	SERIAL NO.	REMARKS
1	19H1895	CAP SCREW	2	1/2" X 3/4"	
2	24H1916	WASHER	2	17/32" X 3-1/2" X 0.180"	
3	H96869	CAP	2		
4	H102206	THRUST BEARING	4		
5	AH125654	SPINDLE	1	(L.H.)	
6	AH125655	SPINDLE	1	(R.H.)	
7	11M7030	COTTER PIN	2	5 X 40 MM	
8	H94951	SLEEVE	2		
9	AH93892	SEAL	2		
10	JD8952	BEARING	2		
11	JD8258	BEARING CUP	2		
12	.....	HUB	2	(SUB AH130871)	
13	JD8237	BEARING CUP	2		
14	JD8902	BEARING CONE	2		
15	R30399	WASHER	2	1-1/32" X 2-1/4" X 1/4"	
16	14H920	NUT	2	1"	
17	H94950	CAP	2		
18	JD7759	LUBRICATION FITTING	2	STRAIGHT, 1/8"	
19	AH130871	HUB	2	(INCLUDES H94951, JD8258 AND JD8237) (SUB AH162573)	
	AH162573	HUB	2		
..	C16071	ADHESIVE	1		

REAR WHEELS AND WHEEL WEIGHTS  
HP3379 -UN-01JAN94



HP3379

## REAR WHEELS AND WHEEL WEIGHTS - CONTINUED

KEY	PART NO.	PART NAME	QTY	SERIAL NO.	REMARKS
1	H103543	WEIGHT	AR	-650400	OUTSIDE (OPTIONAL) (USE 1 OR 2) NO LONGER AVAILABLE FOR SERVICE
2	03H1858	BOLT	4		5/8" X 3-1/2"
	12H294	LOCK WASHER	4		5/8"
	14H1039	NUT	4		5/8"
3	H84375	RING	1		
4	AH122100	WHEEL	1		(USE WITH 14.9 X 24 6PLY R1 TIRES)
	AH138809	WHEEL	1		(USE WITH 18.4 X 30 6PLY R2 TIRES)
	AH144695	WHEEL	1	660401-	(SUB AH167584) (USE WITH 28L X 26 TIRES)
	AH167584	WHEEL	1		
	AH167434	WHEEL	1		(SUB FOR AH135217) (USE WITH 16.9 X 26 X 10 TIRES)
5	H95547	WEIGHT	2	-650400	INSIDE (OPTIONAL) NO LONGER AVAILABLE FOR SERVICE
6	03H1605	BOLT	4		5/8" X 4" (WITH INSIDE WEIGHTS)
	03H1860	BOLT	4		5/8" X 6" (WITH INSIDE AND OUTSIDE WEIGHTS)
	12H294	LOCK WASHER	4		5/8"
	14H1039	NUT	4		5/8"
7	24H1111	WASHER	2		17/32" X 1-1/16" X 0.090"
8	03H1852	BOLT	2		1/2" X 4"
	12H301	LOCK WASHER	2		1/2"
	14H809	NUT	2	-650400	1/2"
	14H1040	NUT	2	650401-	1/2"
9	AT25226	TIRE VALVE STEM	1		(USE WITH TUBELESS TIRES)
10	19H3343	CAP SCREW	4		5/8" X 2"
	H163491	CAP SCREW	4	4AUG97-	5/8" X 2.244", (USE WITH 16.9 X 26 WHEEL)
..	H145995	LABEL	2		"IMPORTANT" WHEEL BOLT TORQUE, (SUB FOR H116641)
..	H150646	DECAL	2	660401-	"IMPORTANT" 15 PSI (103 KPA) (28L X 26-10 OR 12 PLY TIRE) (68 X 50-32 16 PLY TIRE)
..	H174266	LABEL	2	660401-	(SUB FOR H151575) "IMPORTANT" ON AXLE STOP (28L X 26-10 OR 12 PLY TIRE)
..	H111541	LABEL	2		"IMPORTANT" 40 PSI (275 KPA) (11.0 X 24-8 PLY TIRES)
..	H140709	LABEL	2		"IMPORTANT" 40 PSI (275 KPA) (11.0 X 24-8 PLY TIRES)
..	H153728	LABEL	2	660661-	TIRE CLEARANCE (18.4 X 30 R2 TIRES ONLY)
..	H140710	LABEL	2		TIRE PRESSURE (16.9 X 26 X 10 TIRES) 34 PSI
..	<b>BH71727</b>	<b>COMPLETE GOODS/SHIP. BUNDLE</b>	<b>1</b>		<b>WHEEL WEIGHTS - OUTSIDE</b>
..	<b>BH71728</b>	<b>COMPLETE GOODS/SHIP. BUNDLE</b>	<b>1</b>		<b>WHEEL WEIGHTS - AUXILIARY</b>
..	<b>BH71735</b>	<b>COMPLETE GOODS/SHIP. BUNDLE</b>	<b>1</b>		<b>WHEEL WEIGHTS - OUTSIDE</b>
..	<b>BH80133</b>	<b>COMPLETE GOODS/SHIP. BUNDLE</b>	<b>1</b>		<b>4 WHEEL DRIVE CONVERSION</b>
..	<b>BH80924</b>	<b>COMPLETE GOODS/SHIP. BUNDLE</b>	<b>1</b>		<b>REAR TIRES/WHEELS - 28 X 26 - 10 PLY</b>
..	<b>BH80925</b>	<b>COMPLETE GOODS/SHIP. BUNDLE</b>	<b>1</b>		<b>REAR TIRES/WHEELS - 28 X 26 - 10 PLY</b>
..	<b>BH81792</b>	<b>COMPLETE GOODS/SHIP. BUNDLE</b>	<b>1</b>		<b>TIRE/WHEEL ASSEMBLY (L.H.) - 28 X 26 - 10 PLY</b>
..	<b>BH81793</b>	<b>COMPLETE GOODS/SHIP. BUNDLE</b>	<b>1</b>		<b>TIRE/WHEEL ASSEMBLY (R.H.) - 28 X 26 - 10 PLY</b>
..	<b>BH81794</b>	<b>COMPLETE GOODS/SHIP. BUNDLE</b>	<b>1</b>		<b>TIRE/WHEEL ASSEMBLY (L.H.) - 28 X 26 - 12 PLY</b>
..	<b>BH81795</b>	<b>COMPLETE GOODS/SHIP. BUNDLE</b>	<b>1</b>		<b>TIRE/WHEEL ASSEMBLY (R.H.) - 28 X 26 - 12 PLY</b>

NOTE: QUANTITIES SHOWN ARE FOR ONE UNIT. TWO UNITS USED PER MACHINE.

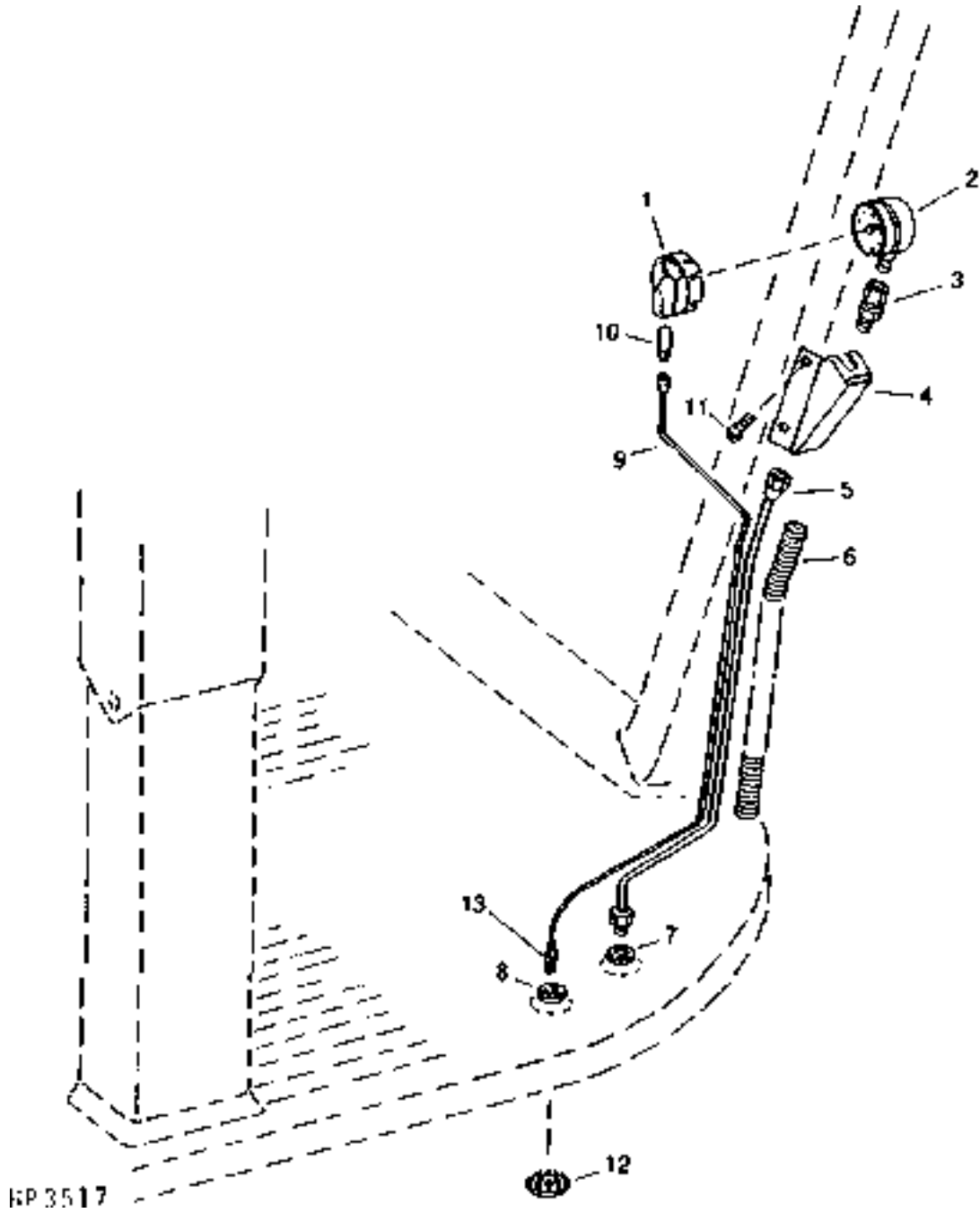
MEMORANDA



MEMORANDA

# 3D7

ACCUMULATOR PRESSURE GAUGE AND WIRING HARNESS  
HP3517 -UN-01JAN94



HP 3517

## ACCUMULATOR PRESSURE GAUGE AND WIRING HARNESS - CONTINUED

KEY	PART NO.	PART NAME	QTY	SERIAL NO.	REMARKS
1	H111378	COVER	1		
2	AH108080	PRESSURE GAUGE	1		
3	AB18206	ADAPTER	1		(WITH JAM NUT)
4	AH132832	BRACKET	1		
5	AH132027	OIL LINE	1		
6	H137523	CONDUIT	1		
7	T65643	GROMMET	1		
8	T63817	GROMMET	1		
9	AH134205	WIRING LEAD	1		
10	AH108380	BULB	1		
11	H165691	SCREW	2		M6 X 20, (SUB FOR H131591 OR H168780)
12	R32239	PLUG	2		USE WITHOUT ACCUM. GAUGE
13	RE12363	CONNECTOR	1		(PKG OF 3)
	R78048	TERMINAL NIPPLE	1		(PKG OF 5)
..	<b>BH80267</b>	<b>COMPLETE GOODS/SHIP. BUNDLE</b>	1		<b>FLOAT INDICATOR</b>

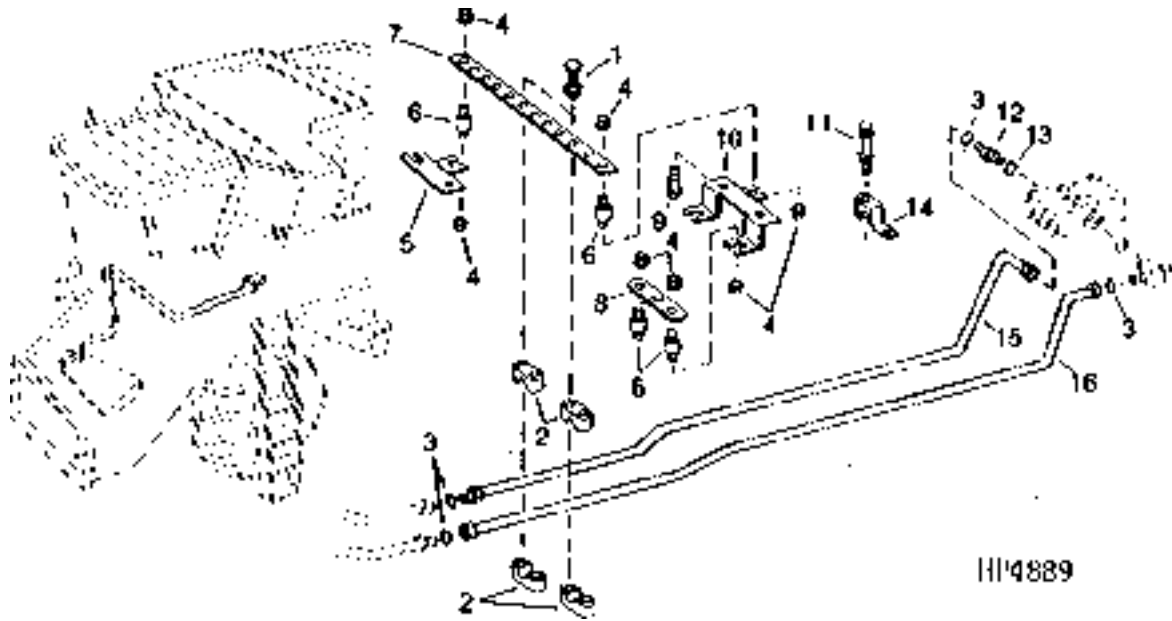
# 3D9

HYDRAULICS

## REEL DRIVE HYDRAULIC LINES AND HOSES, L.H. SIDE

(-655400)

HP4889 -UN-01JAN94



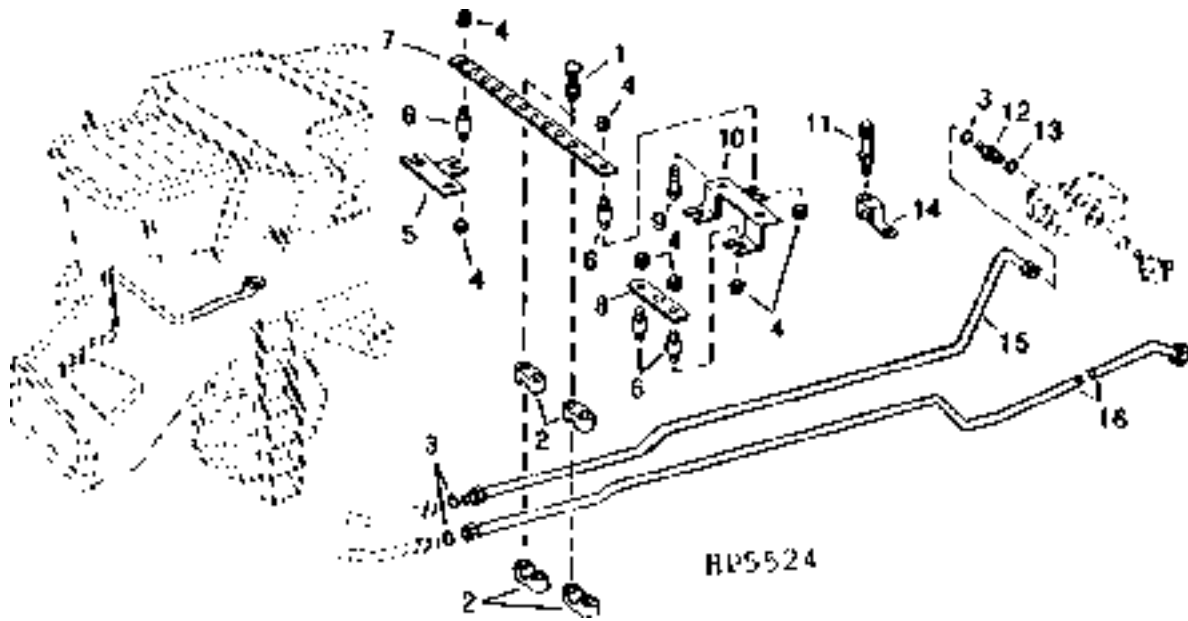
KEY	PART NO.	PART NAME	QTY	SERIAL NO.	REMARKS
1	03M7189	BOLT	4	M8 X 45	
	14M7298	FLANGE NUT	4	M8	
2	H115533	CLAMP	4		
3	T77932	O-RING	4	15.596 X 1.778 MM (0.614" X 0.070")	
4	N10217	LOCK NUT	8	6.350 MM (1/4")	
5	H134427	BRACKET	1		
6	AH126657	ISOLATOR	4		
7	H140298	STRAP	1		
8	H134425	STRAP	1		
9	37M7058	SCREW	4	M8 X 20	
10	H140298	STRAP	1	ROUND HOLES	
11	19M7801	SCREW	1	M8 X 60	
	14M7298	FLANGE NUT	1	M8	
12	38H1162	ADAPTER	1		
13	R26906	O-RING	1	19.177 X 2.464 MM (0.755" X 0.097")	
14	H112162	CLAMP	1		
15	AH130209	HYDRAULIC LINE	1	-645697	(PRESSURE)
	AH140934	OIL LINE	1	645698-	
16	AH131317	HYDRAULIC LINE	1		(RETURN)
	AH140936	LINE	1		

# 3D10

HYDRAULICS

## REEL DRIVE HYDRAULIC LINES AND HOSES, L.H. SIDE

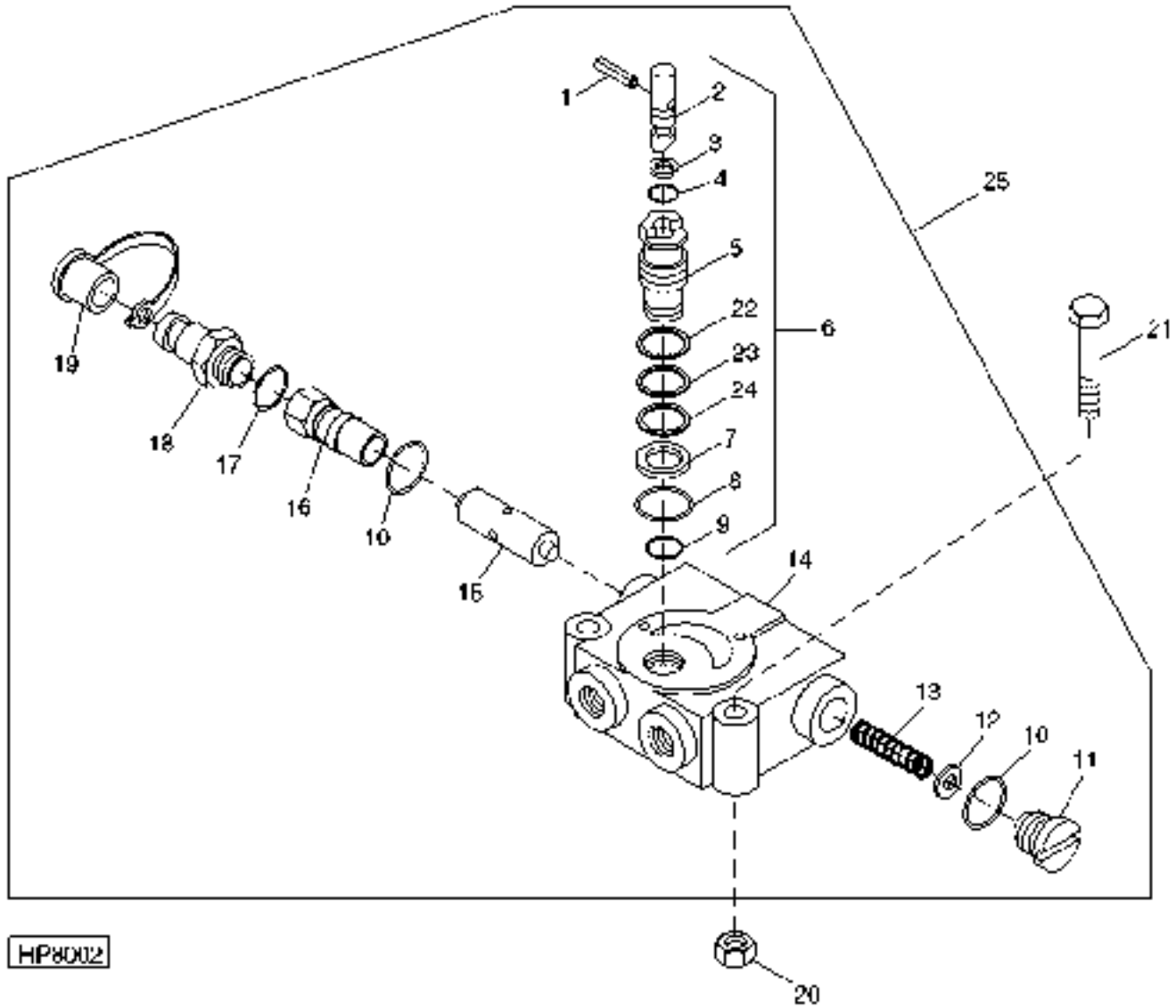
(655401- )  
HP5524 -UN-01JAN94



KEY	PART NO.	PART NAME	QTY	SERIAL NO.	REMARKS
1	03M7189	BOLT	4	M8 X 45	
	14M7298	FLANGE NUT	4	M8	
2	H115533	CLAMP	4		
3	T77932	O-RING	3	15.596 X 1.778 MM (0.614" X 0.070")	
4	N10217	LOCK NUT	8	6.350 MM (1/4")	
5	H134427	BRACKET	1		
6	AH126657	ISOLATOR	4		
7	H140298	STRAP	1		
8	H134425	STRAP	1		
9	37M7058	SCREW	4	M8 X 20	
10	H140298	STRAP	1	ROUND HOLES	
11	19M7801	SCREW	1	M8 X 60	
	14M7298	FLANGE NUT	1	M8	
12	38H1162	ADAPTER	1		
13	R26906	O-RING	1	19.177 X 2.464 MM (0.755" X 0.097")	
14	H112162	CLAMP	1		
15	AH140934	OIL LINE	1	(PRESSURE)	
16	AH143436	LINE	1	(RETURN)	

# 3D11

REEL DRIVE FLOW CONTROL VALVE  
HP8002 -UN-02MAR99



HP8002

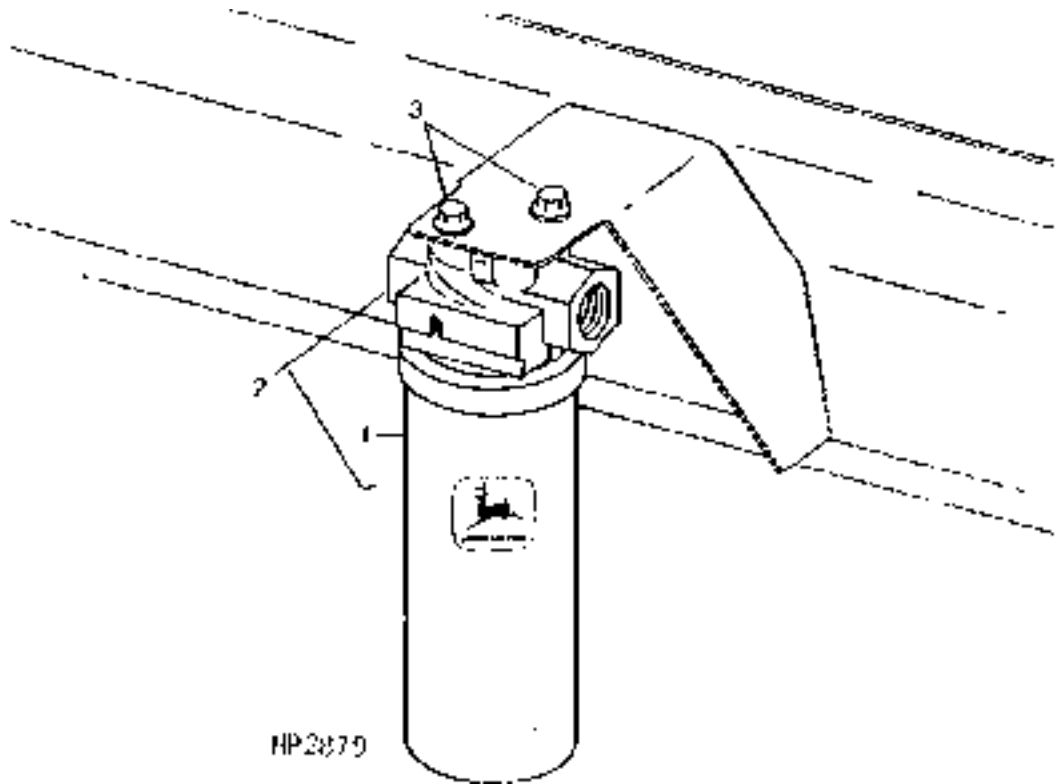
REEL DRIVE FLOW CONTROL VALVE - CONTINUED

KEY	PART NO.	PART NAME	QTY	SERIAL NO.	REMARKS
1	.....	GROOVE PIN	1		
2	.....	STEM	1		
3	.....	BACK-UP RING	1	(A)	
4	.....	O-RING	1	(A)	
5	.....	PLUG	1		
6	AH140903	KIT	1	(SUB FOR AH129323 OR AH136203)	
7	.....	BACK-UP RING	1	(A)	
8	.....	O-RING	1	(A)	
9	.....	O-RING	1	(A)	
10	H63289	O-RING	2	(A) 20.295 X 2.616 MM	
11	.....	PLUG	1		
12	.....	SHIM	1		
13	.....	SPRING	1		
14	.....	HOUSING	1		
15	.....	SPOOL	1		
16	.....	PLUG	1		
17	R26448	O-RING	1	(A) 11.887 X 1.981 MM	
18	AH125760	HYD. QUICK-CONNECT COUPLER	1	DIAGNOSTIC	
19	R77175	COVER	1		
20	14M7298	FLANGE NUT	2	M8	
21	19M7801	SCREW	2	M8 X 60	
22	.....	SHIM	AR		
23	.....	SHIM	AR		
24	.....	SHIM	AR		
25	AH140902	CHECK VALVE	1	(SUB FOR AH130180 OR AH136202)	
..	AH136248	SEAL KIT	1	(SUB FOR AH81167) INCLUDES PARTS MARKED (A)	

# 3D13

HYDRAULICS

## MAIN HYDRAULIC FILTER ASSEMBLY HP2879 -UN-01JAN94



HP2879

KEY	PART NO.	PART NAME	QTY	SERIAL NO.	REMARKS
1	AH128449	HYDRAULIC FILTER	1		
2	AH125733	FILTER HEAD	1		
3	19M7784	SCREW	2	M10 X 20	

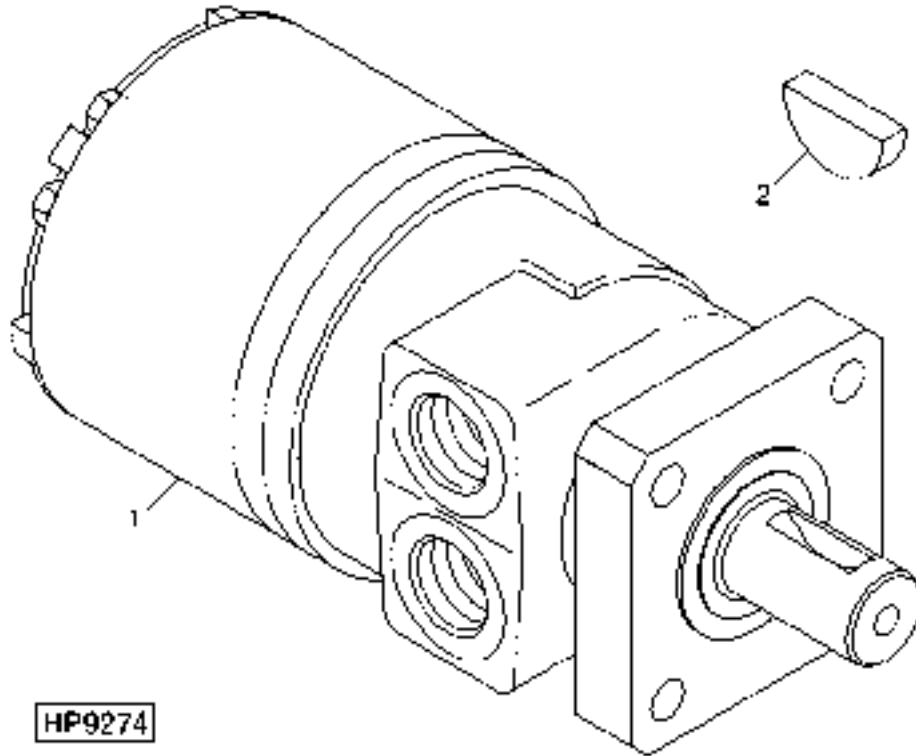


# 3D14

HYDRAULICS

## CHAFF SPREADER MOTOR

(655929- )  
HP9274 -UN-16NOV99



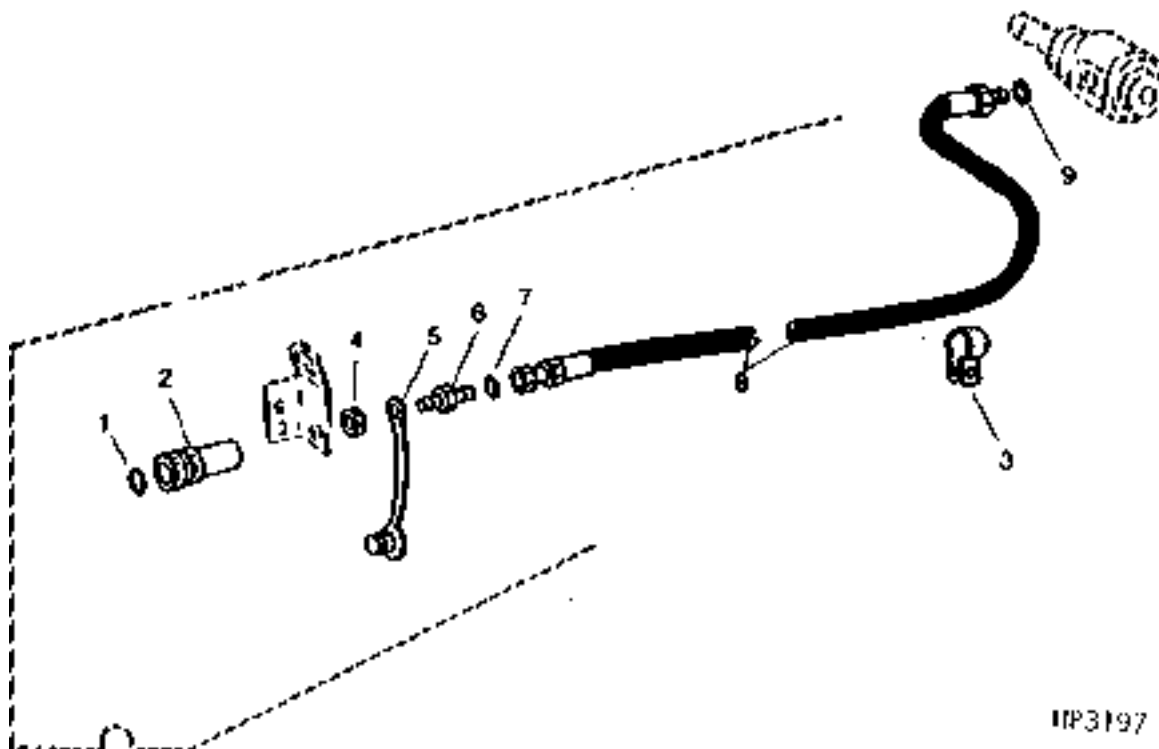
KEY	PART NO.	PART NAME	QTY	SERIAL NO.	REMARKS
1	AH141858	MOTOR	1	(SUB FOR AH127887)	
2	26H22	SHAFT KEY	1		
..	AH131089	SEAL KIT	1	USE WITH TRW ROSS MOTOR AH127887	
..	AH144831	SEAL KIT	1	USE WITH EATON MOTOR AH141858	

# 3D15

HYDRAULICS

## FEEDER HOUSE VARIABLE DRIVE HYDRAULIC HOSE

HP3197 -UN-01JAN94



HP3197

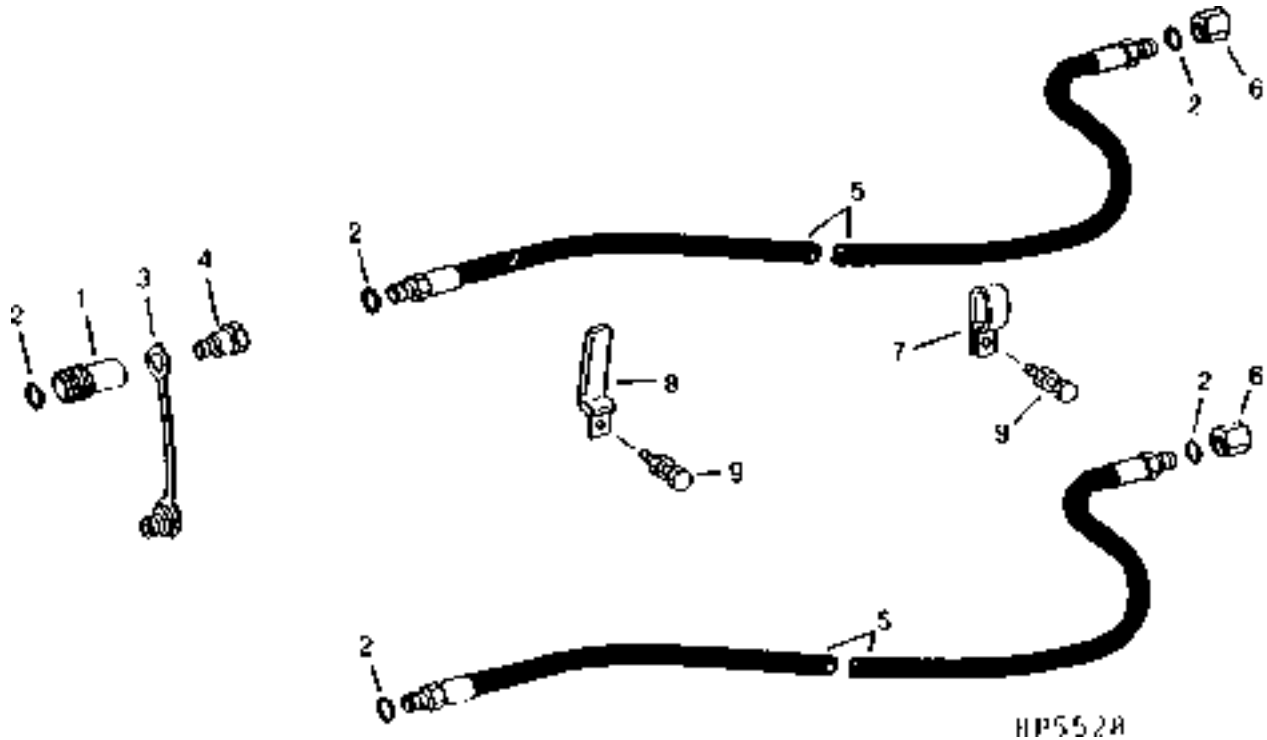
KEY	PART NO.	PART NAME	QTY	SERIAL NO.	REMARKS
1	R26375	O-RING	1		16.358 X 2.210 MM (0.644" X 0.087")
2	AH75167	HYD. QUICK-CONNECT COUPLER	1		(INCLUDES INTERNAL O-RING)
3	R46414	CLAMP	1	-16FEB8	(SUB FOR AH78125)
	T27523	CLAMP	2	16FEB8-	
4	T81029	NUT	1		17.475 MM (11/16")
5	H125403	PLUG	1		
6	AH121643	ORIFICE	1		
7	T77613	O-RING	1		9.246 X 1.778 MM (0.364" X 0.070")
8	AH131332	HYDRAULIC HOSE	1	-16FEB8	7/16" X 900 MM (35-1/2") X 11/16" 1/4" ID X 900MM (35-1/2")
	AH156388	HYDRAULIC HOSE - FABRICATE	1	16FEB8-	6.35MM ID X 1115MM LONG X 7/16-20
9	R28782	O-RING	1		8.915 X 1.829 MM (0.351" X 0.072")
..	<b>BH79019</b>	<b>COMPLETE GOODS/SHIP. BUNDLE</b>	<b>1</b>		<b>200 SERIES CUTTING PLATFORM HYDRAULIC CONVERSION KIT</b>
..	<b>BH81390</b>	<b>COMPLETE GOODS/SHIP. BUNDLE</b>	<b>1</b>		<b>RETROFIT - NARROW FEEDER HOUSE</b>
..	<b>BH81446</b>	<b>COMPLETE GOODS/SHIP. BUNDLE</b>	<b>1</b>		<b>RETROFIT - NARROW FEEDER HOUSE</b>

# 3D16

HYDRAULICS

## 200 SERIES CUTTING PLATFORM HYDRAULIC CONVERSION PARTS

HP5528 -UN-01JAN94

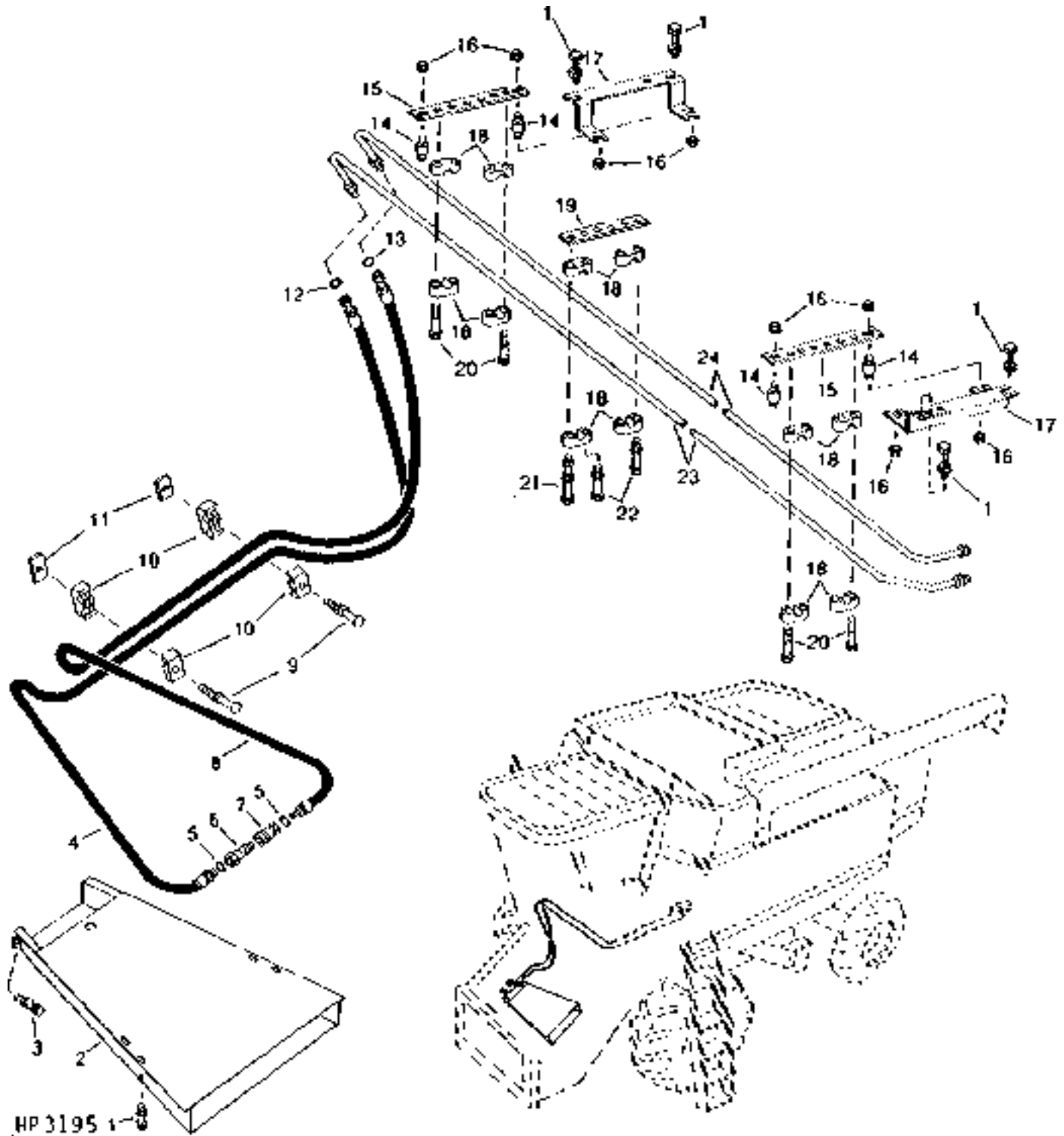


KEY	PART NO.	PART NAME	QTY	SERIAL NO.	REMARKS
1	AH75167	HYD. QUICK-CONNECT COUPLER	1		(INCLUDES INTERNAL O-RING)
2	R26375	O-RING	5		16.358 X 2.210 MM (0.644" X 0.087")
3	H125403	PLUG	1		
4	H35112	ADAPTER	1		
5	AH130936	HYDRAULIC HOSE	2		3/4" X 2 640 MM (104") X 3/4"
6	R30815	FITTING	2		
7	AH77869	CLIP	3		
8	AH78124	CLIP	1		
9	19M7866	SCREW	4		M8 X 20
	14M7298	FLANGE NUT	4		M8
..	<b>BH79019</b>	<b>COMPLETE GOODS/SHIP. BUNDLE</b>	<b>1</b>		<b>HEADER CONVERSION KIT (1984 - 1987)</b>

# 3D17

HYDRAULICS

REEL DRIVE HYDRAULIC LINES AND HOSES, FRONT  
HP3195 -UN-01JAN94



REEL DRIVE HYDRAULIC LINES AND HOSES, FRONT - CONTINUED

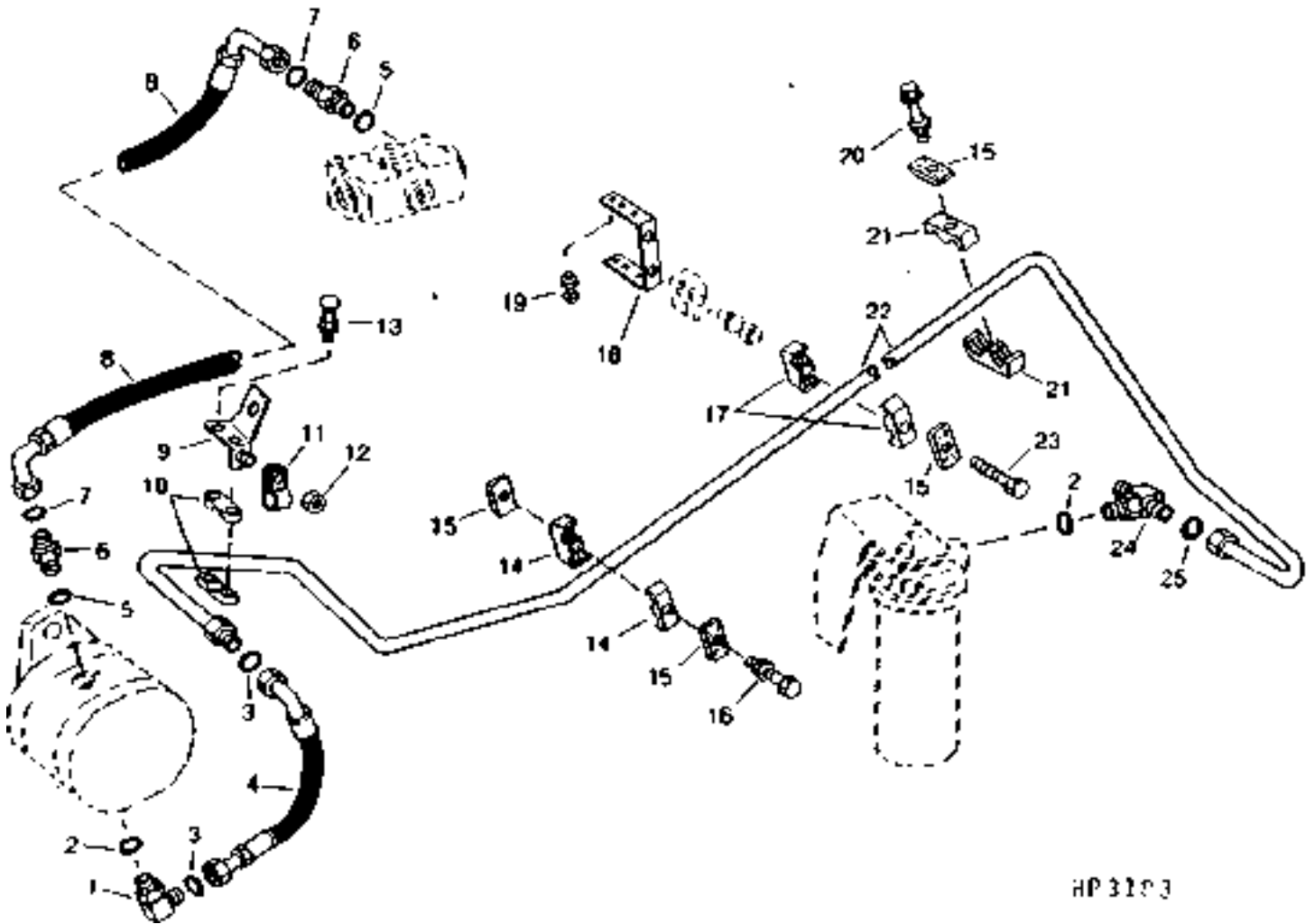
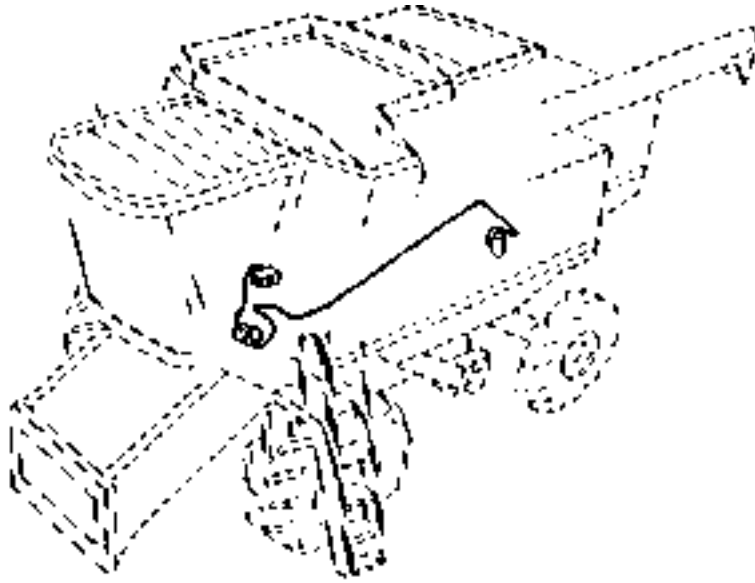
KEY	PART NO.	PART NAME	QTY	SERIAL NO.	REMARKS
1	19M7865	SCREW	6	M8 X 16	
	14M7298	FLANGE NUT	6	M8	
2	AH131303	PAN	1		
3	19M7784	SCREW	2	M10 X 20	
	14M7296	FLANGE NUT	2	M10	
4	AH130564	HYDRAULIC HOSE	1	3/4" X 2 927 MM (115-1/4") X 1" (RETURN)	
5	R26375	O-RING	2	16.358 X 2.210 MM (0.644" X 0.087")	
6	AR94522	INTERNAL HALF COUPLER	1		
7	AH75167	HYD. QUICK-CONNECT COUPLER	1		(INCLUDES INTERNAL O-RING)
	P45750	O-RING	1	20.218 X 3.531 MM (0.796" X 0.139")	
	L24517	BACK-UP RING	1		
	T12960	SNAP RING	1		
8	AH130563	HYDRAULIC HOSE	1	3/4" X 2 852 MM (112-1/4") X 13/16"	(PRESSURE)
9	03M7245	BOLT	2	M8 X 55	
	14M7298	FLANGE NUT	2	M8	
10	H122772	CLAMP	4		
11	H112567	PLATE	2		
12	T77932	O-RING	1	15.596 X 1.778 MM (0.614" X 0.070")	
13	T77857	O-RING	1		
14	AH126657	ISOLATOR	4		
15	H134429	STRAP	2		
16	N10217	LOCK NUT	8	6.350 MM (1/4")	
17	H135618	BRACKET	2		
18	H115533	CLAMP	12		
19	H134558	STRAP	1		
20	37M7102	SCREW	8	M8 X 40	
21	19M7979	SCREW	1	M8 X 55	
	14M7298	FLANGE NUT	2	M8	
22	19M8318	SCREW	3	M8 X 45	
	14M7298	FLANGE NUT	3	M8	
23	AH135684	HYDRAULIC LINE	1		(RETURN)
24	AH135686	HYDRAULIC LINE	1		(PRESSURE)

# 3D19

## REEL PUMP HYDRAULIC LINES AND HOSES

(-645509)

HP3183 -UN-01JAN94



HP3183

# 3D20

HYDRAULICS

## REEL PUMP HYDRAULIC LINES AND HOSES - CONTINUED

( -645509)

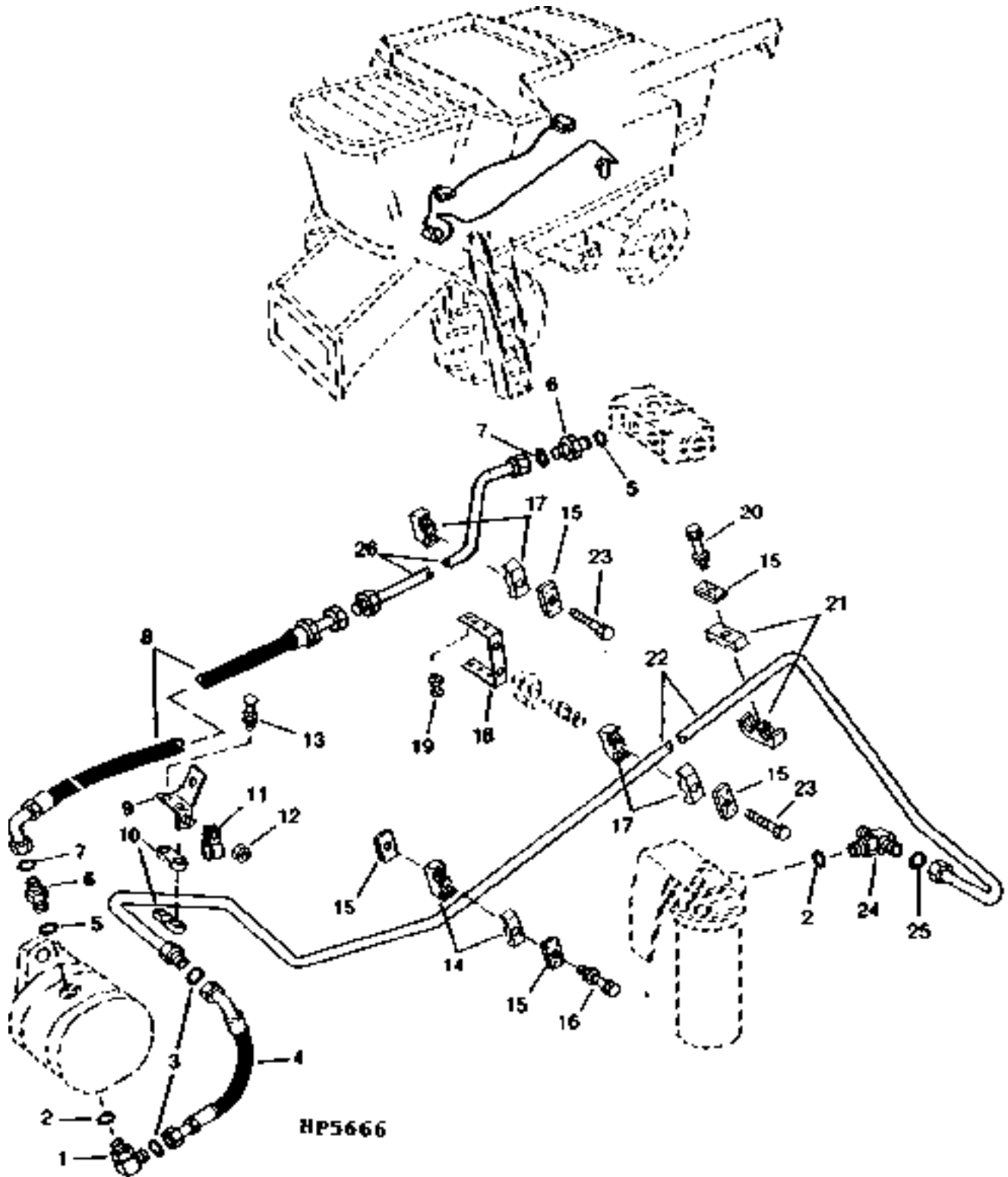
KEY	PART NO.	PART NAME	QTY	SERIAL NO.	REMARKS
1	38H1052	ELBOW FITTING	1		
2	R29936	O-RING	2		29.743 X 2.946 MM (1.171" X 0.116")
3	T77858	O-RING	2		18.771 X 1.778 MM (0.739" X 0.070")
4	AH128584	HYDRAULIC HOSE	1		1-3/16" X 390 MM (15-1/4") X 1-3/16" (REEL PUMP SUCTION)
5	R26906	O-RING	2		19.177 X 2.464 MM (0.755" X 0.097")
6	38H1174	ADAPTER	2		
7	T77857	O-RING	2		12.421 X 1.778 MM (0.489" X 0.070")
8	AH133843	HOSE	1		13/16" X 1 830 MM (72") X 13/16" (REEL PUMP PRESSURE)
9	AH126389	BRACKET	1		
10	H114432	CLAMP	2		
11	T72393	CLAMP	1		
12	14M7298	FLANGE NUT	1		M8
13	03M7280	BOLT	2		M6 X 45 (RD. HEAD)
	14M7303	FLANGE NUT	2		M6
14	H114897	CLAMP	2		
15	H112567	PLATE	4		
16	19M7801	SCREW	1		M8 X 60
	14M7298	FLANGE NUT	1		M8
17	H114897	CLAMP	2		
18	H131115	BRACKET	1		
19	03M7184	BOLT	4		M8 X 20 (RD. HEAD)
	14M7396	LOCK NUT	4		M8
20	19M8319	SCREW	1		M8 X 50
	14M7298	FLANGE NUT	1		M8
21	H120362	CLAMP	2		
22	AH128859	OIL LINE	1		(REEL PUMP SUCTION)
23	19M8317	SCREW	1		M8 X 40
24	38H1437	TEE FITTING	1		
25	T76938	O-RING	1		23.520 X 1.778 MM (0.926" X 0.070")

# 3D21

HYDRAULICS

## REEL PUMP HYDRAULIC LINES AND HOSES

(645510- )  
HP5666 -UN-01JAN94





# 3D22

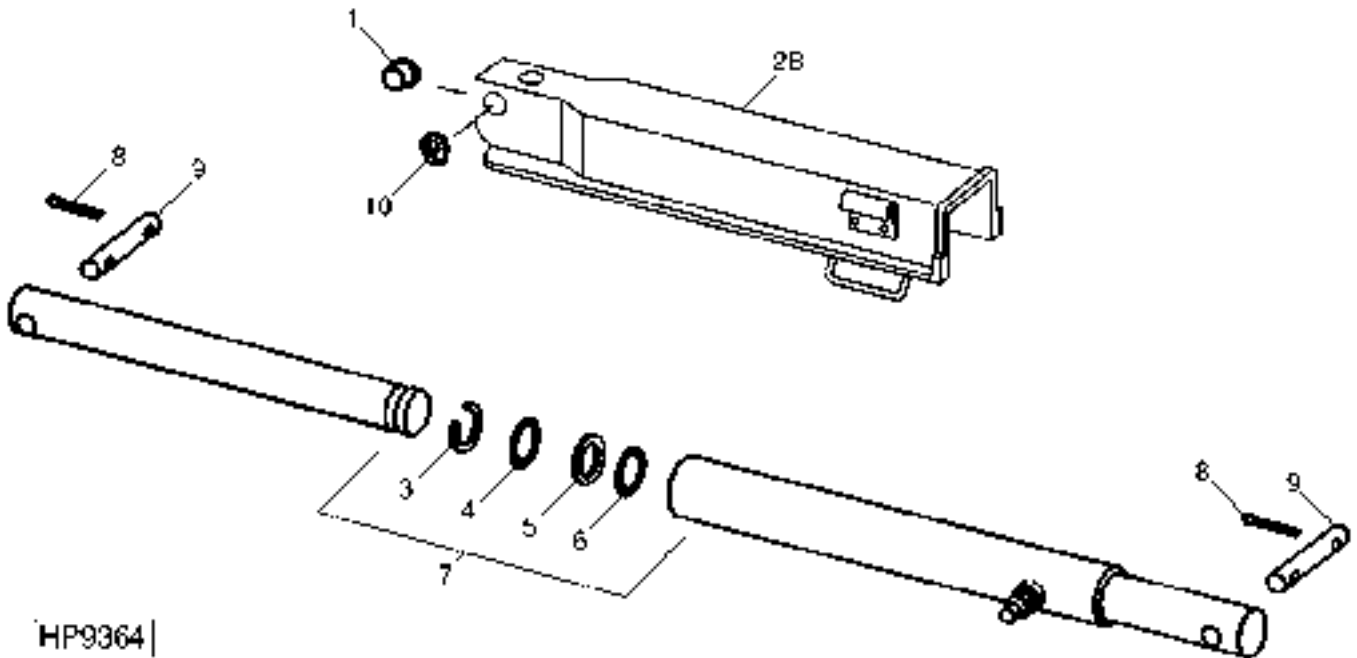
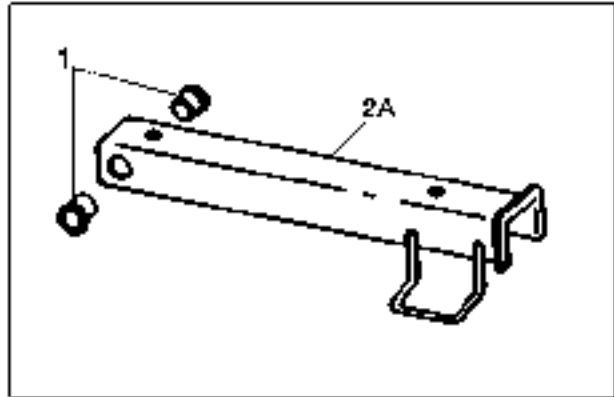
HYDRAULICS

**REEL PUMP HYDRAULIC LINES AND HOSES - CONTINUED**  
(645510- )

KEY	PART NO.	PART NAME	QTY	SERIAL NO.	REMARKS
1	38H1052	ELBOW FITTING	1		
2	R29936	O-RING	2		29.743 X 2.946 MM (1.171" X 0.116")
3	T77858	O-RING	2		18.771 X 1.778 MM (0.739" X 0.070")
4	AH128584	HYDRAULIC HOSE	1		1-3/16" X 390 MM (15-1/4") X 1-3/16" (REEL PUMP SUCTION)
5	R26906	O-RING	2		19.177 X 2.464 MM (0.755" X 0.097")
6	38H1162	ADAPTER	2		
7	T77857	O-RING	2		12.421 X 1.778 MM (0.489" X 0.070")
8	AH140832	HYDRAULIC HOSE	1		13/16" X 1 050 MM (41-1/4") X 13/16" (REEL PUMP PRESSURE)
9	AH126389	BRACKET	1		
10	H114432	CLAMP	2		
11	T72393	CLAMP	1		
12	14M7298	FLANGE NUT	1		M8
13	03M7280	BOLT	2		M6 X 45 (RD. HEAD)
	14M7303	FLANGE NUT	2		M6
14	H114897	CLAMP	2		
15	H112567	PLATE	4		
16	19M7801	SCREW	1		M8 X 60
	14M7298	FLANGE NUT	1		M8
17	H114897	CLAMP	2		
18	H131115	BRACKET	1		
19	03M7184	BOLT	4		M8 X 20 (RD. HEAD)
	14M7396	LOCK NUT	4		M8
20	19M8319	SCREW	1		M8 X 50
	14M7298	FLANGE NUT	1		M8
21	H120362	CLAMP	2		
22	AH128859	OIL LINE	1		(REEL PUMP SUCTION)
23	19M8317	SCREW	1		M8 X 40
24	38H1437	TEE FITTING	1		
25	T76938	O-RING	1		23.520 X 1.778 MM (0.926" X 0.070")
26	AH140932	OIL LINE	1		PRESSURE

# 3D23

HEADER LIFT HYDRAULIC CYLINDER  
HP9364 -UN-01DEC99



HP9364

# 3D24

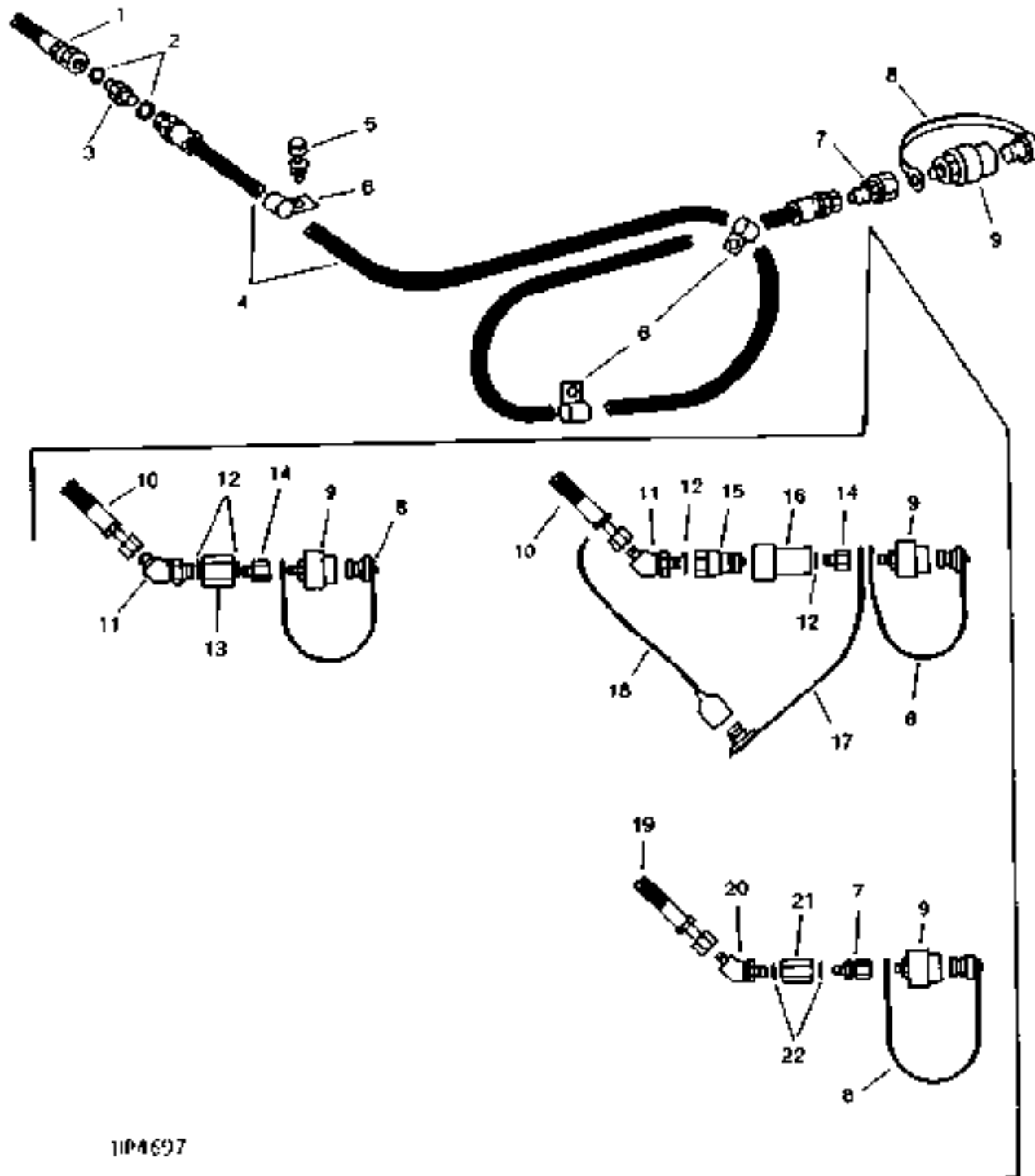
HYDRAULICS

## HEADER LIFT HYDRAULIC CYLINDER

KEY	PART NO.	PART NAME	QTY	SERIAL NO.	REMARKS
1	H135407	BUSHING	2	-650400	(SUB H150054) (L.H. CYLINDER ONLY)
	H150054	BUSHING	1		
2A	AH143871	STOP	1	-650400	(SUB FOR AH141152) (SAFTEY) (L.H. CYLINDER ONLY)
2B	AH157492	STOP	1	5JAN98-	(SUB FOR AH144030 OR AH157306)
3	.....	RING	1		(A) (B) RETAINING
4	.....	SEAL	1		(A) (B)
5	.....	WASHER	1		(A) (B) BACKUP
6	.....	O-RING	1		(A) (B)
7	AH139611	HYDRAULIC CYLINDER	1	-650400	(SUB AH155264) (SUB FOR AH135493) (COMPLETE COMPONENT)
	AH155264	HYDRAULIC CYLINDER	1		
8	H147486	COTTER PIN	4		7.048 X 50.800 MM (0.277" X 2")
9	H116894	PIN	2		30.175 X 145 MM (1-3/16" X 5.709")
10	40M7058	SNAP RING	2	-28SEP7	(SUB FOR Z56747 OR H150454)
	40M1835	SNAP RING	1	29SEP7-	
..	AH129321	SEAL KIT	1	-650400	INCLUDES PARTS MARKED (A)
..	AH139755	HYDRAULIC CYLINDER KIT	1	650401-	INCLUDES PARTS MARKED (B)
..	<b>BH81390</b>	<b>COMPLETE GOODS/SHIP. BUNDLE</b>	1		<b>RETROFIT - NARROW FEEDER HOUSE</b>
..	<b>BH71446</b>	<b>COMPLETE GOODS/SHIP. BUNDLE</b>	1		<b>RETROFIT - NARROW FEEDER HOUSE, CONTOUR MASTER</b>

NOTE: QUANTITIES SHOWN ARE FOR ONE UNIT. TWO UNITS USED PER MACHINE.

FEEDER HOUSE PLUMBING  
EXPORT ONLY - ITALY  
HP4697 -UN-01JAN94

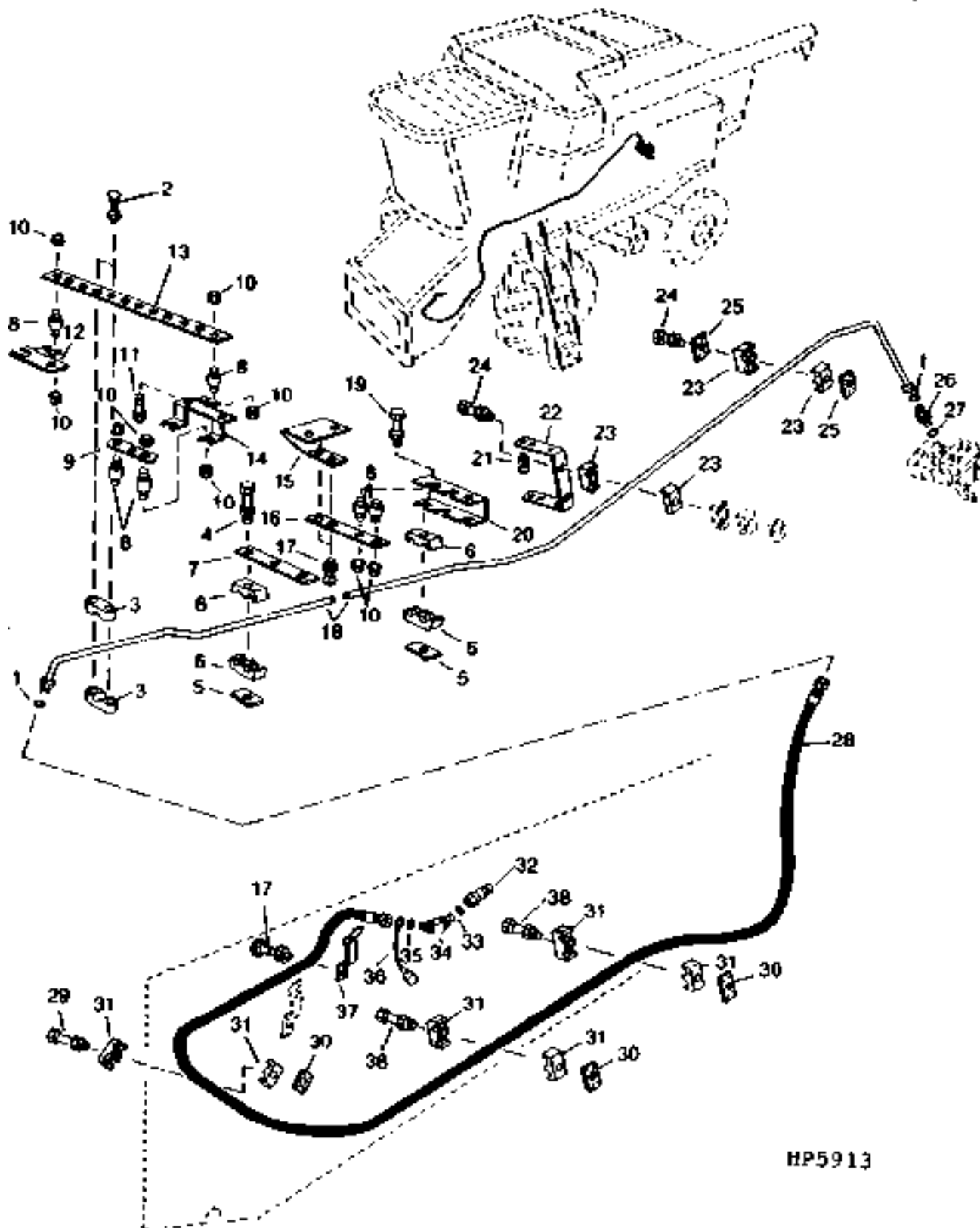


11P4697

**FEEDER HOUSE PLUMBING - CONTINUED**  
**EXPORT ONLY - ITALY**

KEY	PART NO.	PART NAME	QTY	SERIAL NO.	REMARKS
1	AH130556	HYDRAULIC HOSE	1		9/16" X 2 794 MM (110") X 11/16", (EXTEND)
2	T77613	O-RING	2		(STACK VALVE) 9.246 X 1.778 MM (0.364" X 0.070")
3	38H1278	UNION FITTING	1		
4	AH132188	HYDRAULIC HOSE	1		9/16" X 2 640 MM (104") X 11/16"
5	19M7866	SCREW	3		M8 X 20
	14M7298	FLANGE NUT	3		M8
6	AH78237	CLAMP	3		
7	H122647	FITTING	2		
8	AZ19456	PLUG	AR		
9	AZ19455	EXTERNAL HALF COUPLER	AR		
10	AH130557	HYDRAULIC HOSE	1		11/16" X 3 148 MM (124") X 13/16"
11	38H1046	ELBOW FITTING	AR		
12	R26375	O-RING	AR		16.358 X 2.210 MM (0.644" X 0.087")
13	R30815	FITTING	1		
14	H137572	FITTING	AR		
15	AR94522	INTERNAL HALF COUPLER	1		
16	AH75167	HYD. QUICK-CONNECT COUPLER	1		(INCLUDES INTERNAL O-RING)
17	H125403	PLUG	1		
18	A15898	CAP	1		
19	AH130555	HYDRAULIC HOSE	1		9/16" X 3 148 MM (124") X 11/16", (RETRACT)
20	38H1045	ELBOW FITTING	1		
21	N188381	FITTING	1		
22	R26448	O-RING	2		11.887 X 1.981 MM (0.468" X 5/64")

REEL LIFT LINES AND HOSES  
HP5913 -UN-14FEB95



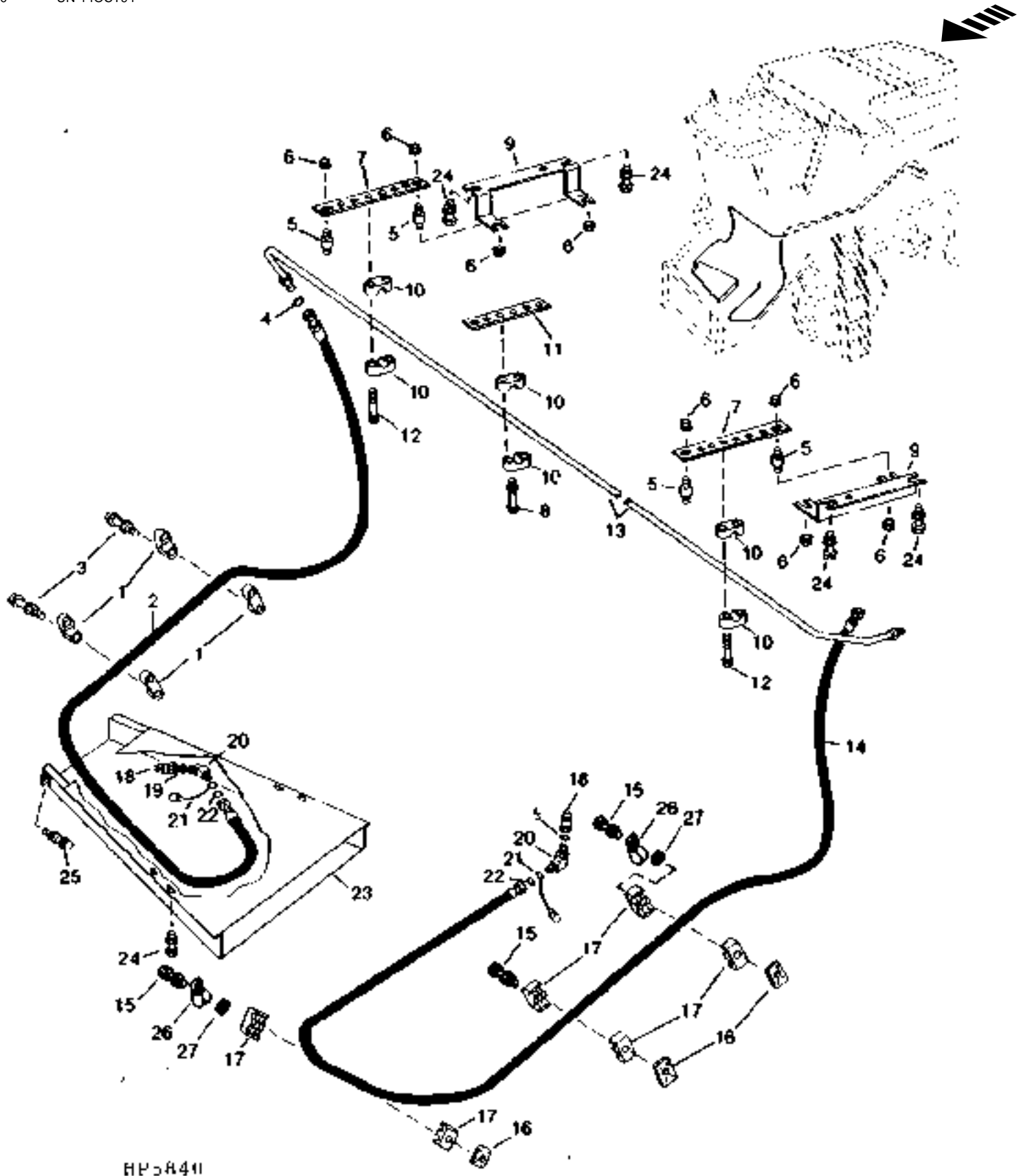
HP5913

## REEL LIFT LINES AND HOSES - CONTINUED

KEY	PART NO.	PART NAME	QTY	SERIAL NO.	REMARKS
1	T77613	O-RING	2		9.246 X 1.778 MM (0.364" X 0.070")
2	03M7188	BOLT	2		M8 X 40
	14M7298	FLANGE NUT	2		M8
3	H116717	CLAMP	2		
4	19M7801	SCREW	1	-660400	M8 X 60
	19M7803	SCREW	1	660401-	M8 X 70
	14M7298	FLANGE NUT	1		M8
5	H121163	COVER	3		W/ REEL FORE/AFT OPTION
	H121163	COVER	1		W/O REEL FORE/AFT OPTION
6	H128515	CLAMP	8		W/ REEL FORE/AFT OPTION
	H127589	CLAMP	4		W/O REEL FORE/AFT OPTION
7	H131163	STRAP	1		
8	AH126657	ISOLATOR	6		
9	H134425	STRAP	1		
10	N10217	LOCK NUT	12		6.350 MM (1/4")
11	37M7092	SCREW	4		M8 X 16
12	H134427	BRACKET	1		
13	H140298	STRAP	1		ROUND HOLES
14	H134424	BRACKET	1		
15	H138411	BRACKET	1		
16	H134434	SUPPORT	1		
17	03M7184	BOLT	3		M8 X 20
	14M7298	FLANGE NUT	3		M8
18	AH134532	OIL LINE	1		
19	AH135688	HYDRAULIC LINE	1	660401-	(GRAIN) (CONTOUR MASTER)
	03M7188	BOLT	1	-660400	M8 X 40
	03M7216	BOLT	1	660401-	M8 X 50
	14M7298	FLANGE NUT	3		M8
20	H134428	BRACKET	1		
21	19M7866	SCREW	4		M8 X 20
	14M7396	LOCK NUT	4		M8
22	H131115	BRACKET	1		
23	H109046	CLAMP	4		
24	19M8319	SCREW	2	-660400	M8 X 50, W/O REEL FORE/AFT OPTION
	19M7979	SCREW	2	660401-	M8 X 55, W/O REEL FORE/AFT OPTION
	14M7298	FLANGE NUT	2		M8
25	H121168	PLATE	3		
26	38H1309	ADAPTER	1		
27	R26448	O-RING	1		11.887 X 1.981 MM (0.468" X 5/64")
28	AH130561	HYDRAULIC HOSE	1		9/16" X 2 794 MM (110") X 11/16"
29	03M7189	BOLT	3	-660400	M8 X 45
	19M8318	SCREW	1	660401-	M8 X 45
	14M7298	FLANGE NUT	1		M8
	12M7032	LOCK WASHER	1	660401-	8.400 MM
30	H121168	PLATE	3		
31	H120847	CLAMP	6		
32	AR94522	INTERNAL HALF COUPLER	1		
33	R26375	O-RING	1		16.358 X 2.210 MM (0.644" X 0.087")
34	38H1046	ELBOW FITTING	1		
35	T77857	O-RING	1		12.421 X 1.778 MM (0.489" X 0.070")
36	A15898	CAP	1		
37	H136336	HOSE CLAMP	1		
38	19M8318	SCREW	2	660401-660432	M8 X 45
	19M7979	SCREW	2	660433-	M8 X 55
	19M7298	CAP SCREW	2		M8 X 35
	12M7032	LOCK WASHER	2	660401-	8.400 MM (0.331")
..	<b>BH81385</b>	<b>COMPLETE GOODS/SHIP. BUNDLE</b>	<b>1</b>		<b>REEL FORE AND AFT CONVERSION</b>

## REEL FORE-AND-AFT HYDRAULIC LINES AND HOSES, FRONT (OPTIONAL)

HP5840 -UN-14OCT94



HP5840

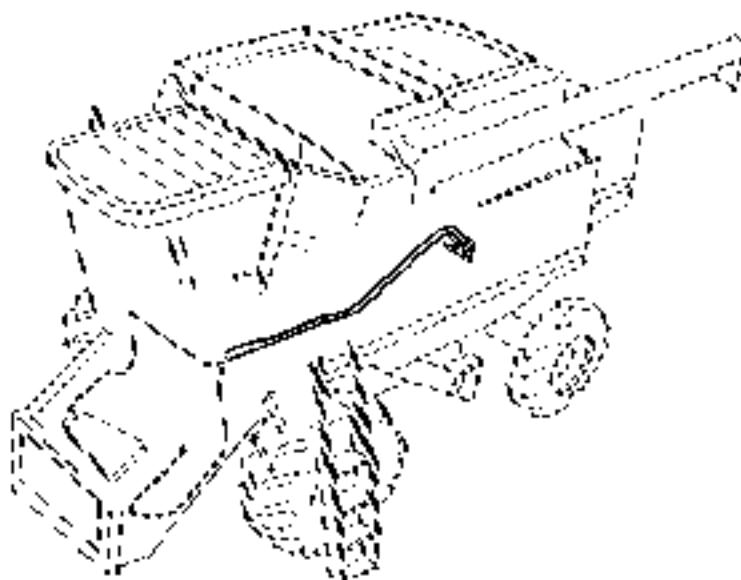
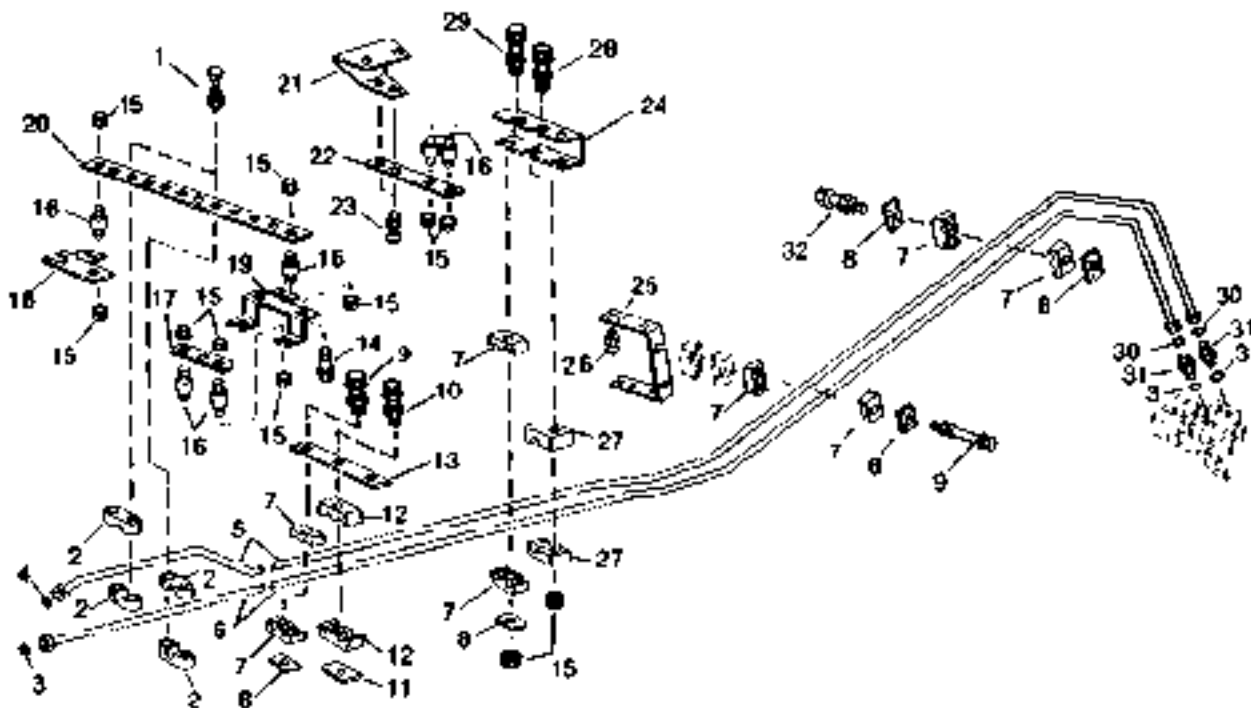


**REEL FORE AND AFT HYDRAULIC LINES AND HOSES, FRONT - CONTINUED  
(OPTIONAL)**

KEY	PART NO.	PART NAME	QTY	SERIAL NO.	REMARKS
1	H115533	CLAMP	4		
2	AH130561	HYDRAULIC HOSE	1		9/16" X 2 794 MM (110") X 11/16" (EXTEND)
3	03M7216	BOLT	4		M8 X 50
	14M7298	FLANGE NUT	4		M8
4	T77814	O-RING	1		7.645 X 1.778 MM (0.301" X 0.070")
5	AH126657	ISOLATOR	4		
6	N10217	LOCK NUT	8		6.350 MM (1/4")
7	H134429	STRAP	2		
8	19M8317	SCREW	2		M8 X 40
	14M7298	FLANGE NUT	2		M8
9	H135618	BRACKET	2		
10	H116717	CLAMP	6		
11	H134558	STRAP	1		
12	37M7096	SCREW	4		M8 X 35
13	AH135682	HYDRAULIC LINE	1		(EXTEND)
14	AH130560	HYDRAULIC HOSE	1		9/16" X 3 286 MM (129-1/4") X 11/16" (RETRACT)
	AH132188	HYDRAULIC HOSE	1		9/16" X 2 640 MM (104") X 11/16", (ITALY)
15	19M8319	SCREW	3		M8 X 50
	14M7298	FLANGE NUT	3		M8
16	H121168	PLATE	3		
17	H120847	CLAMP	6		
18	AH116632	HYD. QUICK-CONNECT COUPLER	2		
19	R26448	O-RING	2		11.887 X 1.981 MM (0.468" X 5/64")
20	38H1045	ELBOW FITTING	2		
21	AH124832	CAP	2		
22	T77613	O-RING	2		9.246 X 1.778 MM (0.364" X 0.070")
23	AH131303	PAN	1		
24	19M7865	SCREW	6		M8 X 16
	14M7298	FLANGE NUT	6		M8
25	19M7784	SCREW	2		M10 X 20
	14M7296	FLANGE NUT	2		M10
26	AH96317	CLIP	3		(SUB FOR AH89486)
27	12M7032	LOCK WASHER	3		8.400 MM (0.331")
..	<b>BH81385</b>	<b>COMPLETE GOODS/SHIP. BUNDLE</b>	<b>1</b>		<b>CONVERSION BUNDLE</b>

REEL FORE-AND-AFT HYDRAULIC LINES, L.H. SIDE  
(OPTIONAL)

HP5841 -UN-14OCT94

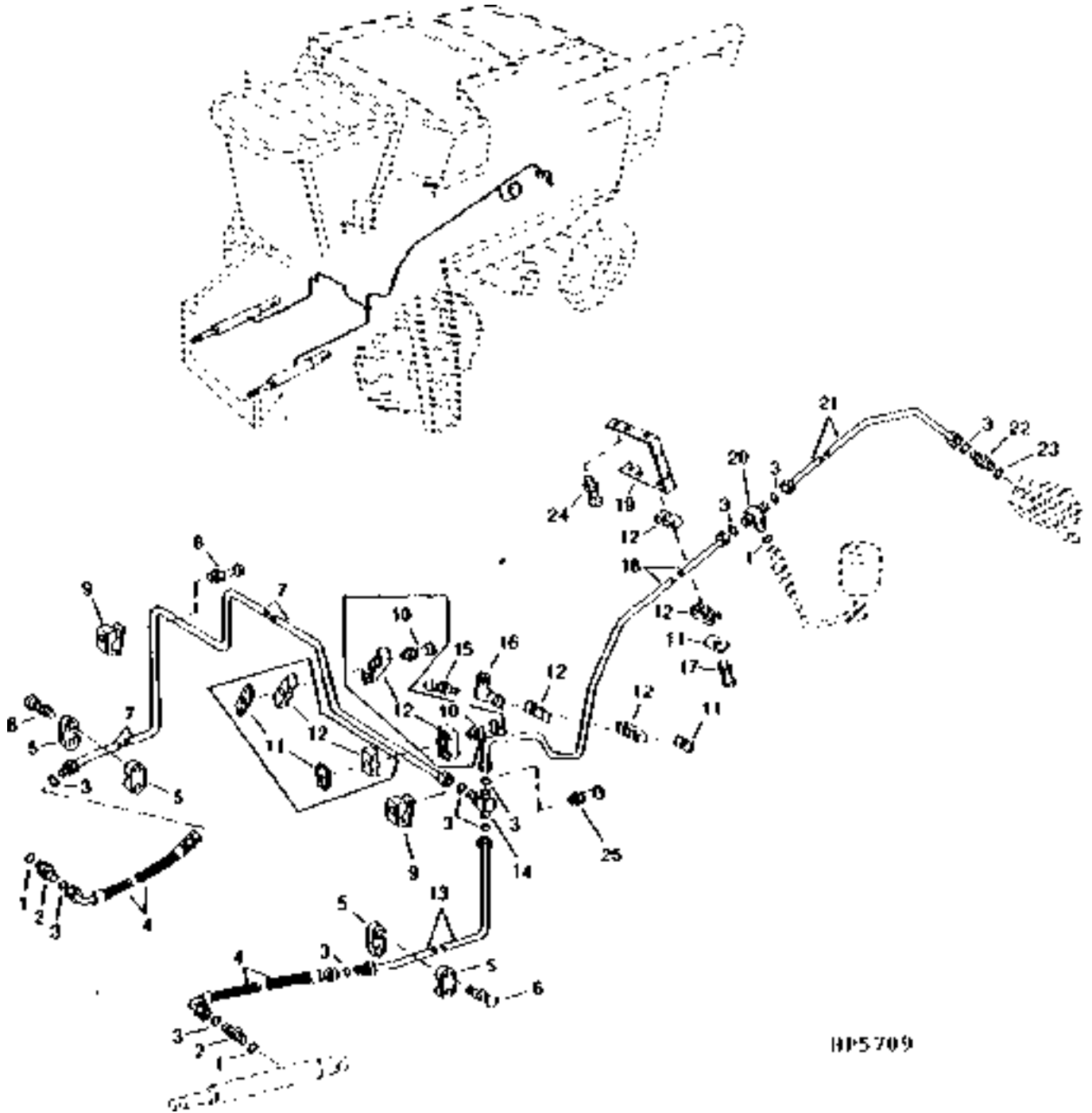


HP5841

REEL FORE-AND-AFT HYDRAULIC LINES, L.H. SIDE - CONTINUED  
(OPTIONAL)

KEY	PART NO.	PART NAME	QTY	SERIAL NO.	REMARKS
1	03M7188	BOLT	4		M8 X 40
	14M7298	FLANGE NUT	4		M8
2	H116717	CLAMP	4		
3	R26375	O-RING	2		16.358 X 2.210 MM (0.644" X 0.087")
4	T77814	O-RING	1		7.645 X 1.778 MM (0.301" X 0.070")
5	AH134533	OIL LINE	1		RETRACT
	AH135689	HYDRAULIC LINE	1	660401-	(GRAIN) (CONTOUR MASTER) (RETRACT)
6	AH131311	HYDRAULIC LINE	1		(EXTEND)
7	H128515	CLAMP	8		
8	H121163	COVER	5		
9	19M7803	SCREW	2		M8 X 70
	14M7298	FLANGE NUT	2		M8
10	19M8318	SCREW	1		M8 X 45
	14M7298	FLANGE NUT	1		M8
11	H121168	PLATE	1		
12	H109046	CLAMP	2		
13	H131163	STRAP	1		
14	03M7184	BOLT	2		M8 X 20
	14M7298	FLANGE NUT	2		M8
15	N10217	LOCK NUT	12		6.350 MM (1/4")
16	AH126657	ISOLATOR	6		
17	H134425	STRAP	1		
18	H134427	BRACKET	1		
19	H134424	BRACKET	1		
20	H140298	STRAP	1		ROUND HOLES
21	H138411	BRACKET	1		
22	H134434	SUPPORT	1		
23	03M7184	BOLT	2		M8 X 20
	14M7298	FLANGE NUT	2		M8
24	H134428	BRACKET	1		
25	H131115	BRACKET	1		
26	19M7866	SCREW	4		M8 X 20
	14M7396	LOCK NUT	4		M8
27	H127589	CLAMP	2		
28	19M8317	SCREW	1	-660400	M8 X 40
	03M7216	BOLT	1	660401-	
	14M7298	FLANGE NUT	1		M8
29	03M7188	BOLT	1		M8 X 40
30	T77613	O-RING	3		9.246 X 1.778 MM (0.364" X 0.070")
31	38H1171	ADAPTER	2		
32	19M7803	SCREW	1		M8 X 70
..	<b>BH81385</b>	<b>COMPLETE GOODS/SHIP. BUNDLE</b>	<b>1</b>		<b>CONVERSION BUNDLE</b>

HEADER LIFT HYDRAULIC LINES AND HOSES  
HP5709 -UN-01JAN94



# 3E10

HYDRAULICS

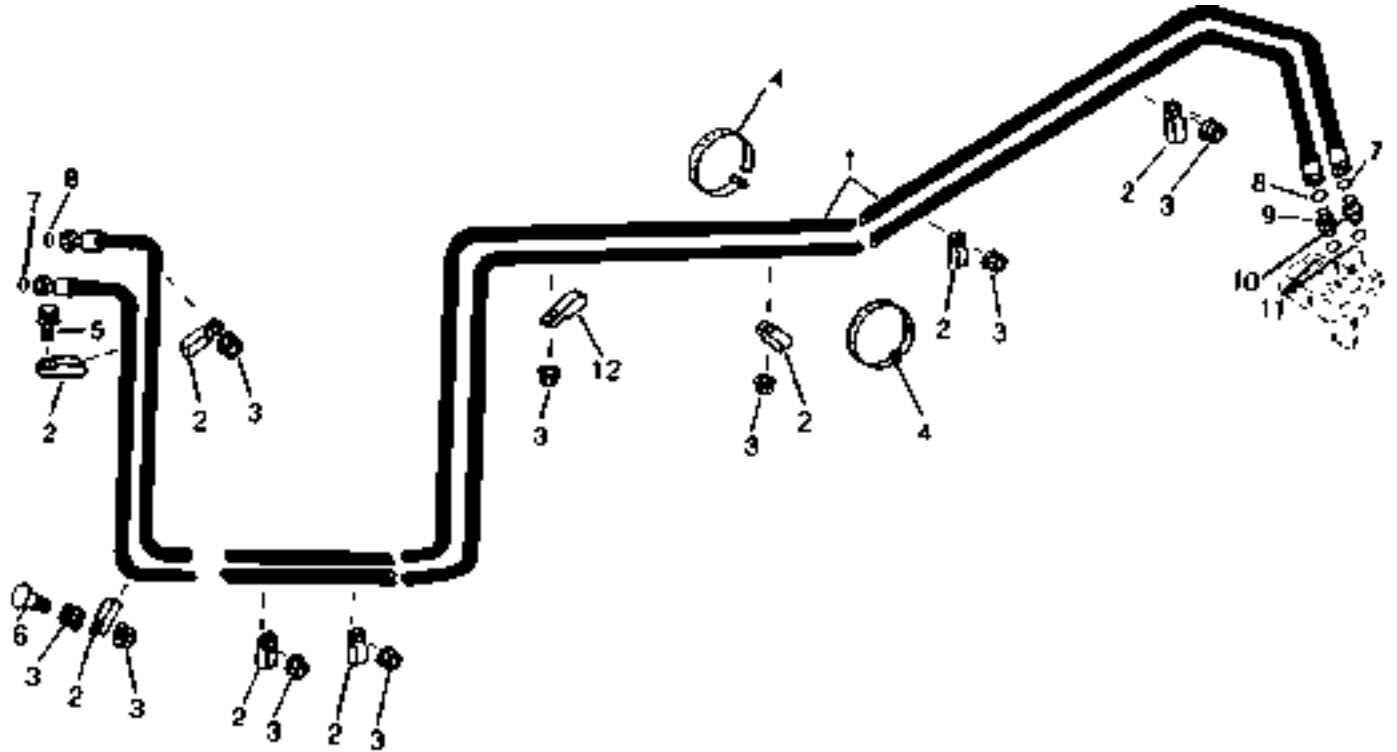
## HEADER LIFT HYDRAULIC LINES AND HOSES - CONTINUED

KEY	PART NO.	PART NAME	QTY	SERIAL NO.	REMARKS
1	R26375	O-RING	3		16.358 X 2.210 MM (0.644" X 0.087")
2	38H1161	ADAPTER	2		
3	T77857	O-RING	10		12.421 X 1.778 MM (0.489" X 0.070")
4	AH121605	HYDRAULIC HOSE	2		13/16" X 515 MM (20-1/4") X 13/16"
5	H117937	CLAMP	4		
6	03M7189	BOLT	4		M8 X 45 (RD. HEAD)
	14M7298	FLANGE NUT	4		M8
7	AH131378	OIL LINE	1		
8	03M7280	BOLT	1		M6 X 45 (RD. HEAD)
	14M7303	FLANGE NUT	1		M6
9	H116706	CLAMP	1		
10	03M7262	BOLT	2		M6 X 50 (RD. HEAD)
	14M7303	FLANGE NUT	2		M6
11	H121168	PLATE	4		
12	H108291	CLAMP	8		
13	AH130113	HYDRAULIC LINE	1		
14	38H5031	TEE FITTING	1		
15	19M8317	SCREW	1		M8 X 40
	14M7298	FLANGE NUT	1		M8
16	H135974	BRACKET	1		
17	19M8318	SCREW	1		M8 X 45
	14M7298	FLANGE NUT	1		M8
18	AH131576	HYDRAULIC LINE	1		
19	H131115	BRACKET	1		
20	38H1017	TEE FITTING	1		
21	AH128753	HYDRAULIC LINE	1		
22	38H1173	ADAPTER	1		
23	R26448	O-RING	1		11.887 X 1.981 MM (0.468" X 5/64")
24	03M7184	BOLT	4		M8 X 20 (RD. HEAD)
	14M7396	LOCK NUT	4		M8
25	19M8321	SCREW	2	655401-	M6 X 45
	14M7298	FLANGE NUT	2	655401-	M8

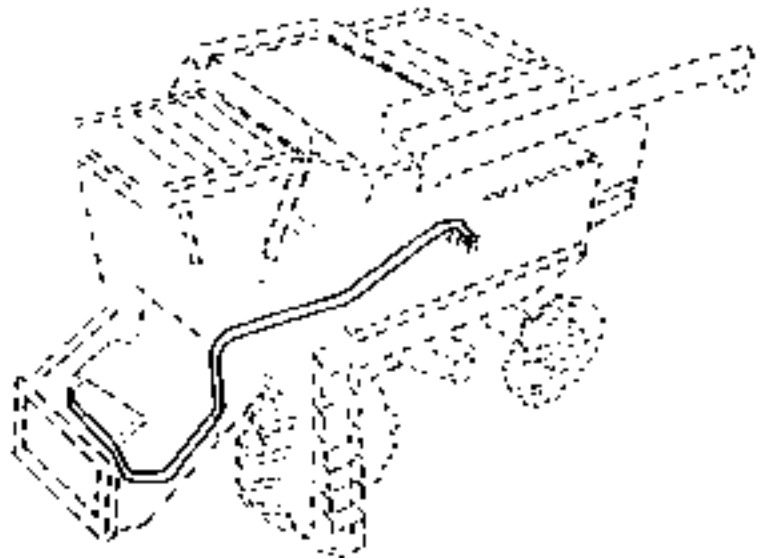
# 3E11

## CONTOUR MASTER HYDRAULIC HOSES, L.H. SIDE (OPTIONAL)

(660401- )  
HP5976 -UN-27APR95



HP5976



# 3E12

HYDRAULICS

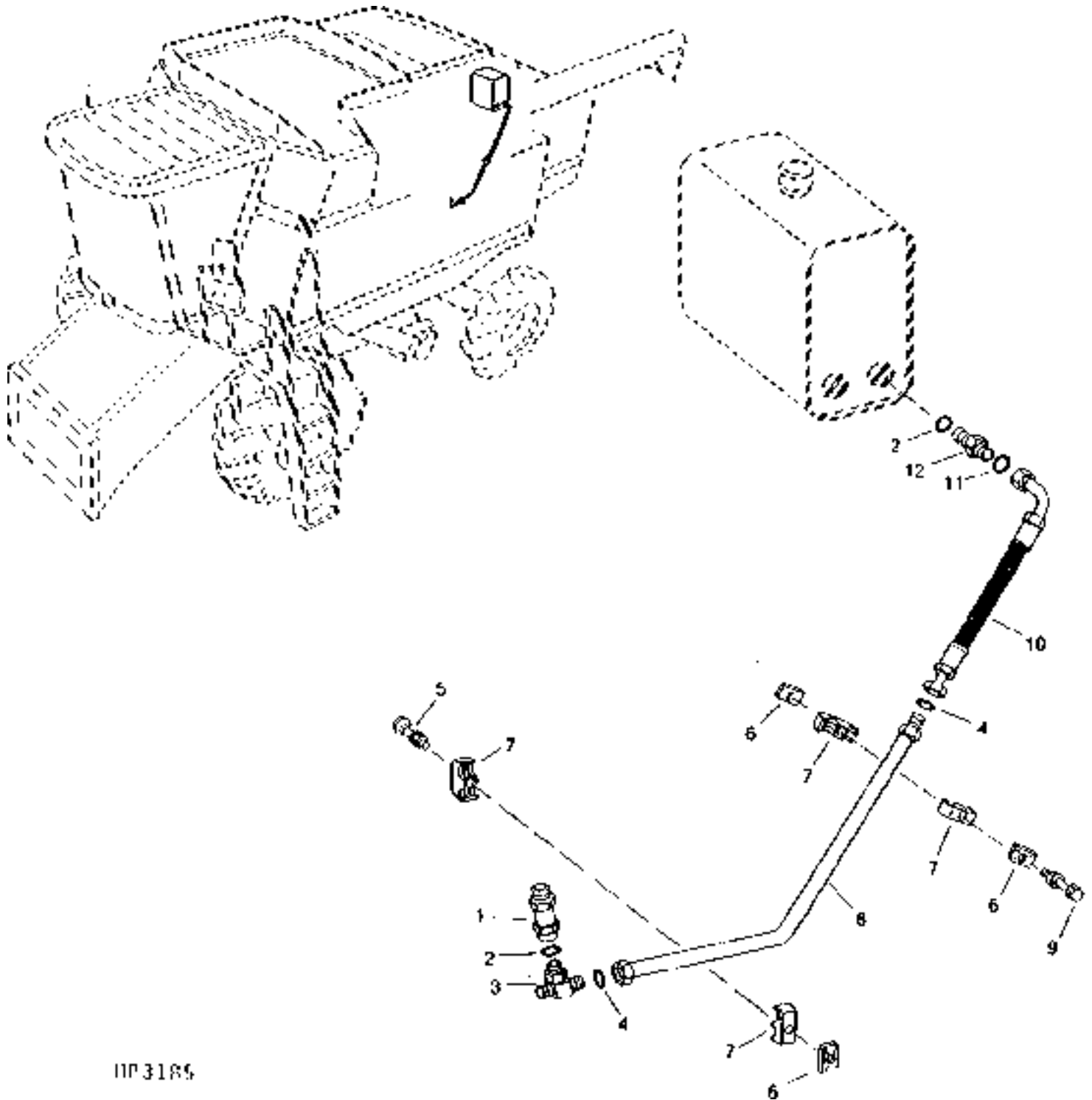
CONTOUR MASTER HYDRAULIC HOSES, L.H. SIDE (OPTIONAL) - CONTINUED  
(660401- )

KEY	PART NO.	PART NAME	QTY	SERIAL NO.	REMARKS
1	AH143682	HYDRAULIC HOSE	2		
2	AH97280	CLIP	9		
3	14M7298	FLANGE NUT	9	M8	
4	R44302	TIE BAND	2	171 MM (6-3/4")	
5	37M7084	SCREW	1	M8 X 25	
6	03M7085	BOLT	2	M10 X 30	
7	T77613	O-RING	2	9.246 X 1.778 MM (0.364" X 0.070")	
8	T77814	O-RING	2	7.645 X 1.778 MM (0.301" X 0.070")	
9	38H1445	ADAPTER	1		
10	38H1171	ADAPTER	1		
11	R26375	O-RING	2	16.358 X 2.210 MM (0.644" X 0.087")	
12	AH77869	CLIP	1		

# 3E13

## RESERVOIR HYDRAULIC UPPER RETURN LINES AND HOSES

HP3185 -UN-01JAN94



HP3185



# 3E14

HYDRAULICS

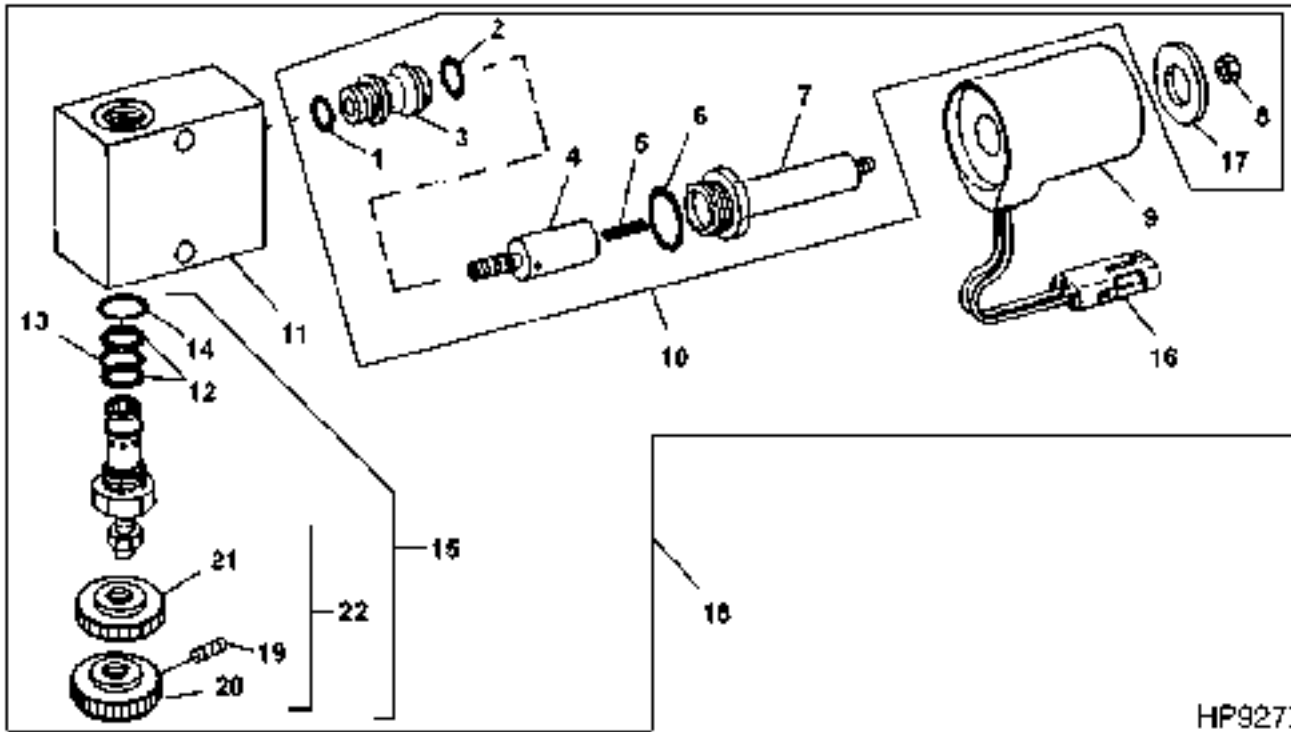
## RESERVOIR HYDRAULIC UPPER RETURN LINES AND HOSES - CONTINUED

KEY	PART NO.	PART NAME	QTY	SERIAL NO.	REMARKS
1	AH118337	CHECK VALVE	1		
2	U12547	O-RING	2		23.470 X 2.946 MM (0.924" X 0.116")
3	38H1019	TEE FITTING	1		
4	T77858	O-RING	2		18.771 X 1.778 MM (0.739" X 0.070")
5	03M7245	BOLT	1		M8 X 55 (RD. HEAD)
	14M7298	FLANGE NUT	1		M8
6	H112567	PLATE	3		
7	H114865	CLAMP	4		
8	AH130568	HYDRAULIC LINE	1		(UPPER RETURN)
9	19M7801	SCREW	1		M8 X 60
	14M7298	FLANGE NUT	1		M8
10	AH130567	HYDRAULIC HOSE	1		1-3/16" X 305 MM (12") X 1-3/16" (UPPER RETURN)
11	T77858	O-RING	1		18.771 X 1.778 MM (0.739" X 0.070")
12	38H1163	ADAPTER	1		

# 3E15

HYDRAULICS

**DIAL-A-MATIC HEADER HEIGHT CONTROL VALVE**  
 HP9277 -UN-12NOV99



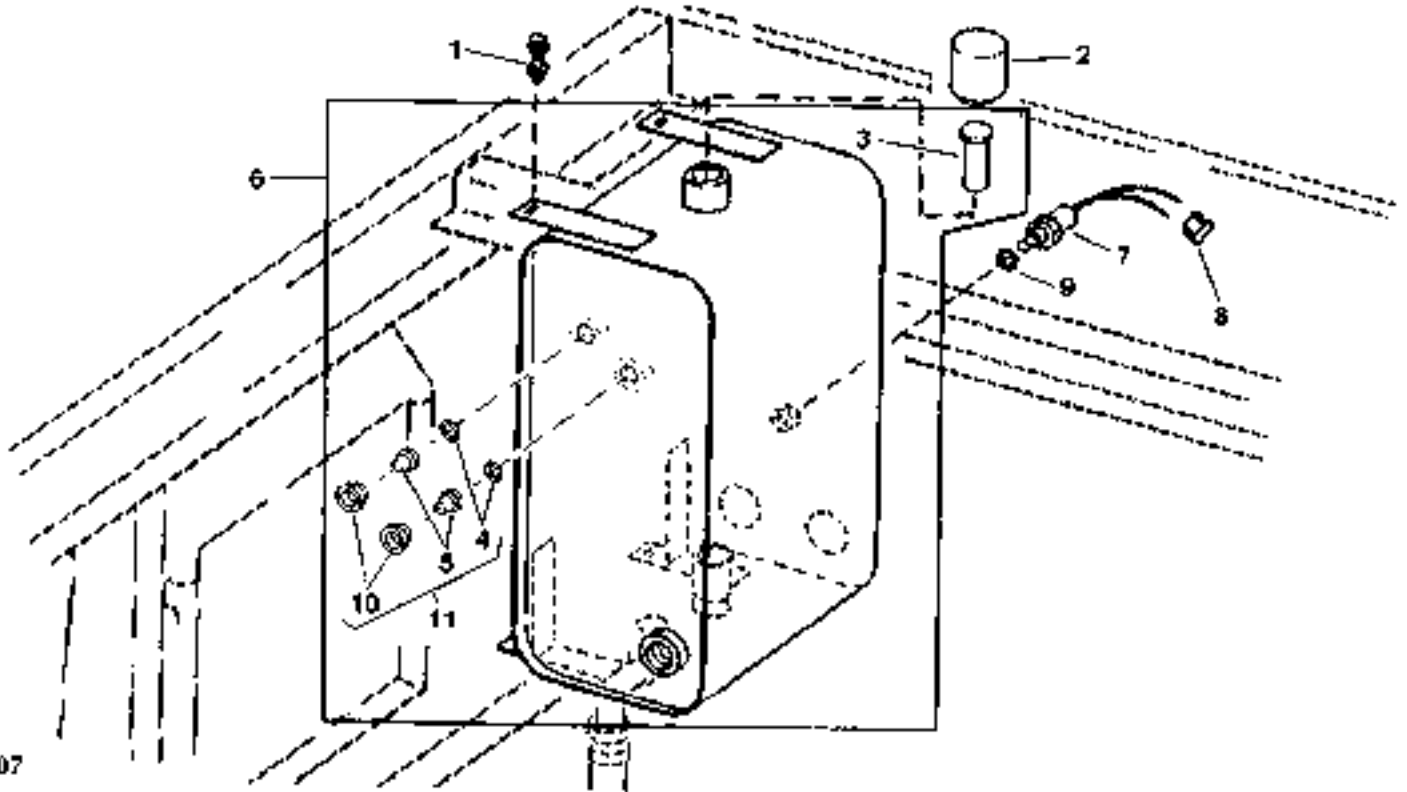
HP9277

KEY	PART NO.	PART NAME	QTY	SERIAL NO.	REMARKS
1	R28776	O-RING	1	12.421 X 1.778 MM (0.489" X 0.070")	
2	T75984	O-RING	1	20.345 X 1.778 MM (0.801" X 0.070")	
3	.....	VALVE SPOOL	1	(ORDER AH131571)	
4	.....	PLUNGER	1	(ORDER AH131571)	
5	.....	SPRING	1	(ORDER AH131571)	
6	R27928	O-RING	1	23.520 X 1.778 MM (0.926" X 0.070")	
7	.....	GUIDE	1	(ORDER AH131571)	
8	14H866	NUT	1	5/8"	
9	AH131572	ELECTRICAL COIL	1		
10	AH131571	VALVE	1		
11	H135964	HOUSING	1		
12	.....	BACK-UP RING	2	(ORDER AH131570)	
13	.....	O-RING	1	(ORDER AH131570)	
14	R26906	O-RING	1	19.177 X 2.464 MM (0.755" X 0.097")	
15	AH131570	VALVE	1		
16	R78053	PIN CONTACT CONNECTOR BODY	1	(PKG OF 3)	
	R78059	ELECTRICAL PLUG	1	(PKG OF 40)	
	R78061	PIN CONTACT	1	(PKG OF 40)	
17	24H1368	WASHER	1	21/32" X 1-5/16" X 0.090"	
18	AH125910	SOLENOID VALVE	1		
19	.....	SET SCREW	1	(SUB AH156333)	
20	.....	KNOB	1	(SUB AH156333)	
21	.....	KNOB	1	(SUB AH156333)	
22	AH156333	KIT	1		
..	<b>BH81084</b>	<b>COMPLETE GOODS/SHIP. BUNDLE</b>	<b>1</b>	<b>HORIZONTAL HEIGHT CONTROL</b>	

# 3E16

HYDRAULICS

**HYDRAULIC/HYDROSTATIC OIL RESERVOIR AND MOUNTINGS**  
 HP7207 -UN-17OCT97



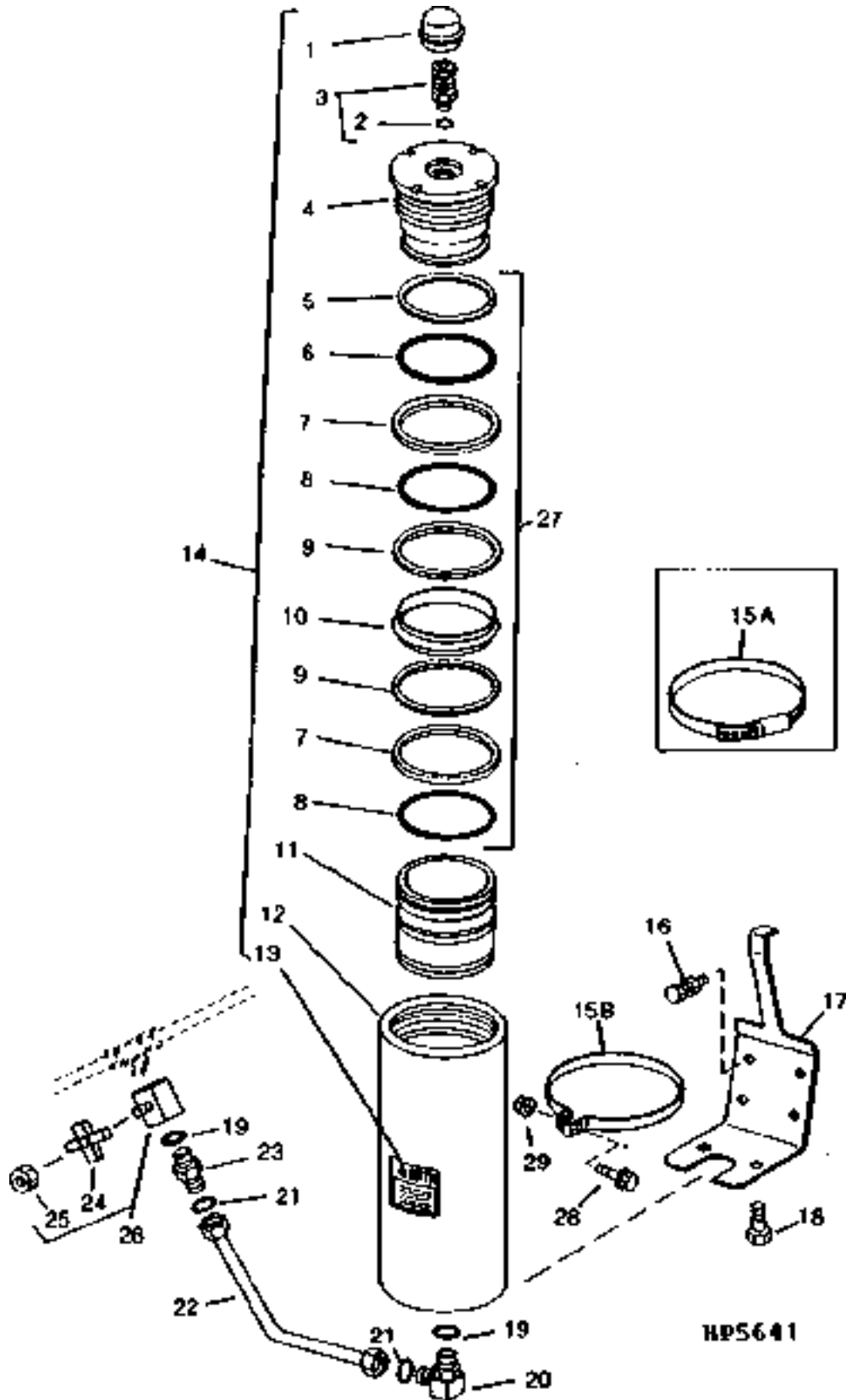
HP7207

KEY	PART NO.	PART NAME	QTY	SERIAL NO.	REMARKS
1	19M7866	SCREW	4	M8 X 20	
	14M7298	FLANGE NUT	4	M8	
2	AZ49144	BUCKLE	1		(SUB FOR AH106695)
3	AH131334	SCREEN	1		
	AH135064	STRAINER	1		
4	R375R	O-RING	2	-29SEP7	15.545 X 2.616 MM (0.612" X 0.103")
	P48347	O-RING	2	29SEP7-	
5	AH87790	LENS	2	-29SEP7	WITH O-RING
	N209312	LENS	2		(SUB FOR N205021)
6	AH157973	HYDRAULIC RESERVOIR	1		(SUB FOR AH130168)
7	AH116105	SWITCH	1		
8	R78059	ELECTRICAL PLUG	1		(PKG OF 40)
9	R26375	O-RING	1		16.358 X 2.210 MM (0.644" X 0.087")
10	N205022	RETAINER	2	29SEP7-	
11	AE41319	GAUGE	2	29SEP7-	

THIS PARTS LISTING IS CONTINUED

# 3E17

## ONE-HALF GALLON SINGLE ACCUMULATOR AND MOUNTING HP5641 -UN-01JAN94



**ONE-HALF GALLON SINGLE ACCUMULATOR AND MOUNTING - CONTINUED**

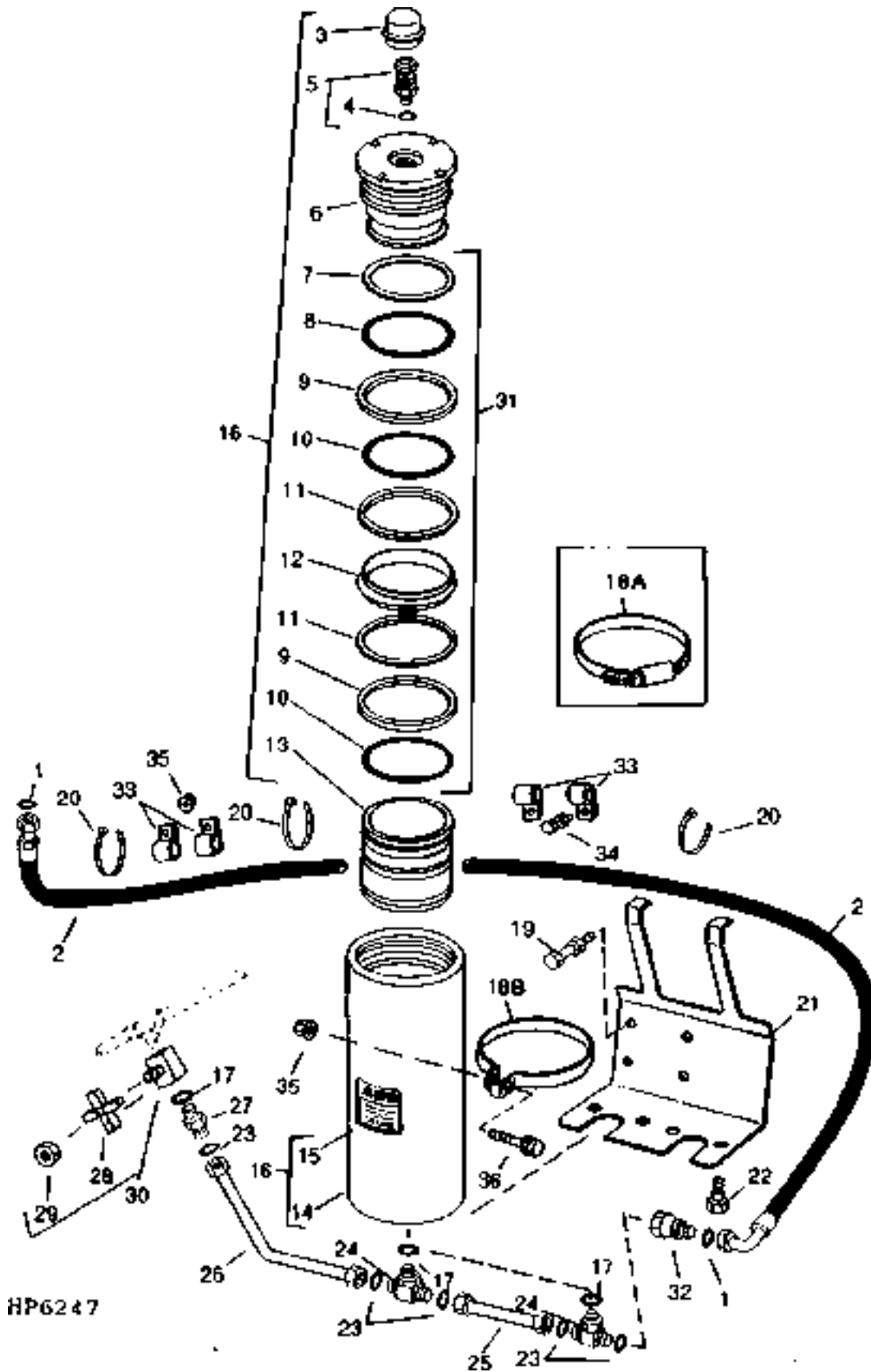
KEY	PART NO.	PART NAME	QTY	SERIAL NO.	REMARKS
1	J2375M	CAP	1		
2	H135641	RING	1		
3	AH131250	BLEED VALVE	1		
4	.....	CAP	1		
5	.....	BACK-UP RING	1		
6	.....	O-RING	1		
7	.....	SEAL	2	(KIT AH133285)	
8	.....	O-RING	2	(KIT AH133285)	
9	.....	BACK-UP RING	2	(KIT AH133285)	
10	.....	SEAL	1	(KIT AH133285)	
11	.....	PISTON	1	(KIT AH133285)	
12	.....	BARREL	1	(KIT AH133285)	
13	H149092	LABEL	1		(SUB FOR H138423) "CAUTION"
	H149369	LABEL	1		ITALIAN
14	AH133265	ACCUMULATOR	1		
15A	TY22475	CLAMP	1	-29SE97	(SUB FOR C16054)
15B	R77178	CLAMP	1	30SE97-	(ALSO ORDER 19M8162 AND 14M7296)
16	19M7866	SCREW	4		M8 X 20
	14M7298	FLANGE NUT	4		M8
17	H137593	BRACKET	1		
18	19M7864	SCREW	2		M8 X 12
19	R26375	O-RING	2		16.358 X 2.210 MM (0.644" X 0.087")
20	38H1005	ELBOW FITTING	1		
21	T77857	O-RING	2		12.421 X 1.778 MM (0.489" X 0.070")
22	AH132203	OIL LINE	1		
23	38H1161	ADAPTER	1		
24	N232713	HANDLE	1		
25	K40001	LOCK NUT	1		6.350 MM (1/4")
26	AH131535	VALVE	1		
27	AH133285	SEAL	1		
28	19M8162	CAP SCREW	1		M10 X 40
29	14M7296	FLANGE NUT	1		M10
..	<b>BH80267</b>	<b>COMPLETE GOODS/SHIP. BUNDLE</b>	<b>1</b>		<b>ACCUMULATOR WITH FLOAT INDICATOR</b>

# 3E19

## ONE-HALF GALLON DUAL ACCUMULATOR, HOSE, LINE AND MOUNTING

(-655400)

HP6247 -UN-04JAN96



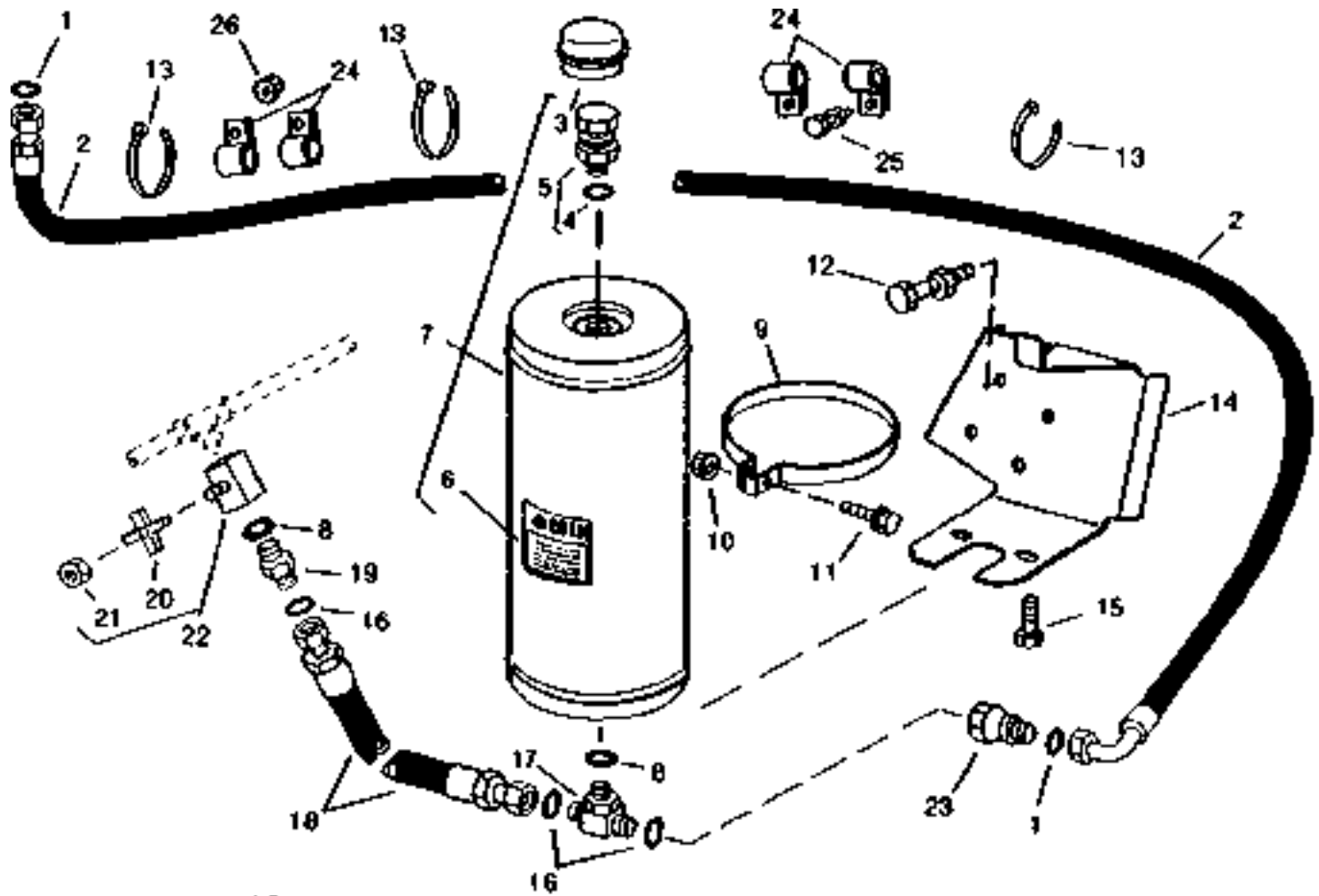
**ONE-HALF GALLON DUAL ACCUMULATOR, HOSE, LINE AND MOUNTING - CONTINUED**  
 ( -655400)

KEY	PART NO.	PART NAME	QTY	SERIAL NO.	REMARKS
1	T77613	O-RING	2		9.246 X 1.778 MM (0.364" X 0.070")
2	AH133151	HYDRAULIC HOSE	1		1 1/16" X 3 940 MM (155") X 1 1/16", TO GAUGE IN CAB
3	J2375M	CAP	2		
4	H135641	RING	2		
5	AH131250	BLEED VALVE	2		
6	.....	CAP	2		
7	.....	BACK-UP RING	2		(KIT AH133285)
8	.....	O-RING	2		(KIT AH133285)
9	.....	SEAL	4		(KIT AH133285)
10	.....	O-RING	4		(KIT AH133285)
11	.....	BACK-UP RING	4		(KIT AH133285)
12	.....	SEAL	2		(KIT AH133285)
13	.....	PISTON	2		
14	.....	BARREL	2		
15	H149092	LABEL	2		(SUB FOR H138423) "CAUTION"
16	AH133265	ACCUMULATOR	2		
17	R26375	O-RING	3		16.358 X 2.210 MM (0.644" X 0.087")
18A	TY22475	CLAMP	2	-29SE97	(SUB FOR C16054)
18B	R77178	CLAMP	2	30SE97-	(ALSO ORDER 19M8162 AND 14M7296)
19	19M7866	SCREW	4		M8 X 20
	14M7298	FLANGE NUT	4		M8
20	R44302	TIE BAND	3		
21	H137596	BRACKET	1		
22	19M7864	SCREW	4		M8 X 12
23	T77857	O-RING	5		12.421 X 1.778 MM (0.489" X 0.070")
24	38H1017	TEE FITTING	2		
25	AH132202	OIL LINE	1		
26	AH132203	OIL LINE	1		
27	38H1161	ADAPTER	1		
28	N232713	HANDLE	1		
29	K40001	LOCK NUT	1		6.350 MM (1/4")
30	AH131535	VALVE	1		
31	AH133285	SEAL	1		SEALS (INCLUDES KEYS 7 THROUGH 12)
32	38H1481	REDUCER	1		
33	H75541	CLAMP	4		
34	03M7183	BOLT	1		M8 X 16
	19M7298	CAP SCREW	1		M8 X 35
35	14M7296	FLANGE NUT	1		M10
	14M7296	FLANGE NUT	2	655401-	M10
36	19M8162	CAP SCREW	1	655401-	M10 X 40
..	<b>BH80267</b>	<b>COMPLETE GOODS/SHIP. BUNDLE</b>	<b>1</b>		<b>ACCUMULATOR WITH FLOAT INDICATOR</b>

# 3E21

## ONE GALLON ACCUMULATOR, HOSE, LINE AND MOUNTING

(655401- )  
HP5640 -UN-01JAN94



HP5640



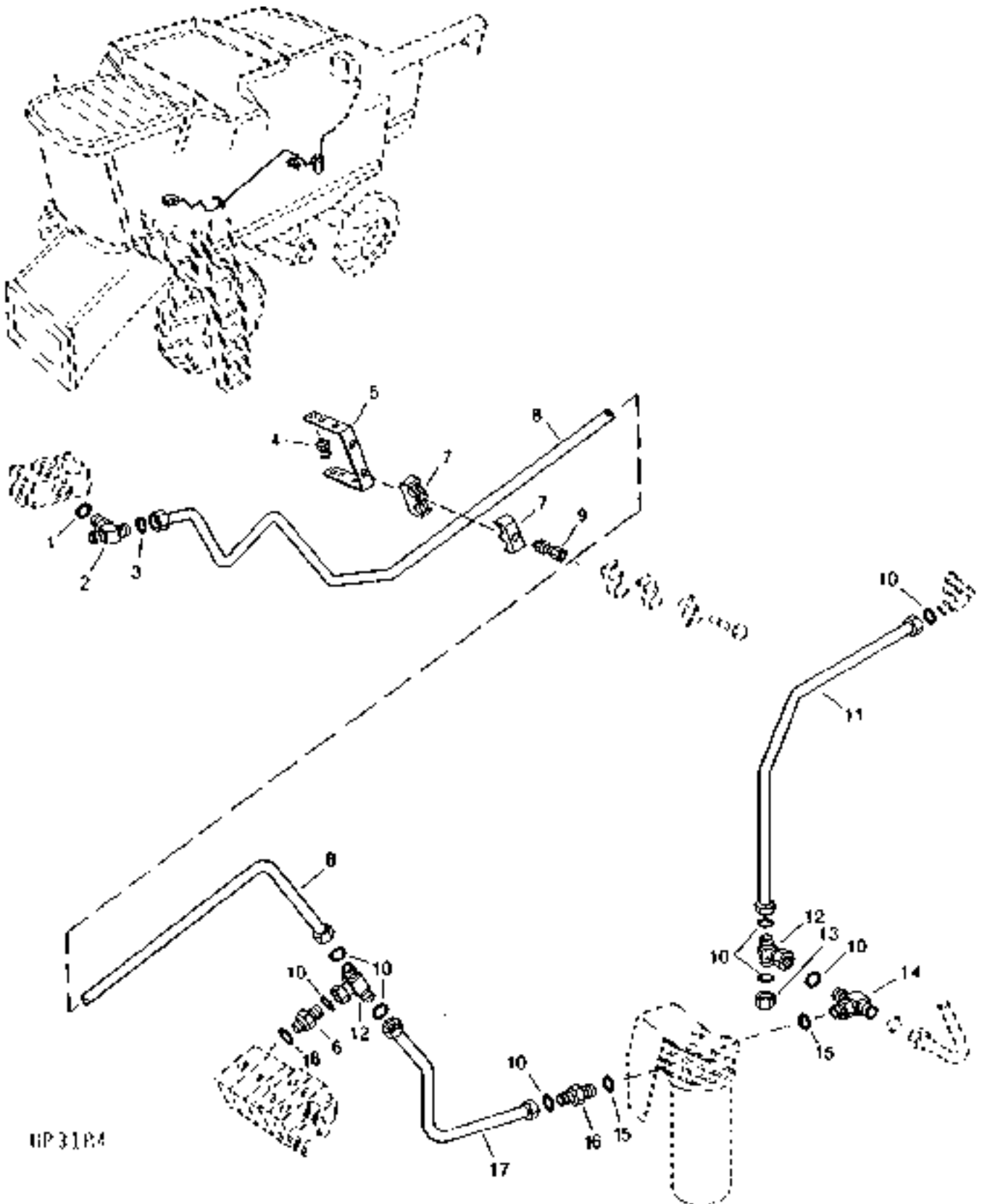
**ONE GALLON ACCUMULATOR, HOSE, LINE AND MOUNTING - CONTINUED**  
(655401- )

KEY	PART NO.	PART NAME	QTY	SERIAL NO.	REMARKS
1	T77613	O-RING	2		9.246 X 1.778 MM (0.364" X 0.070")
2	AH133151	HYDRAULIC HOSE	1		11/16" X 3 940 MM (155") X 11/16"
3	J2375M	CAP	2		
4	H135641	RING	2		
5	AH131250	BLEED VALVE	2		
6	H149092	LABEL	1		(SUB FOR H138423) "CAUTION"
7	AH143455	ACCUMULATOR	1		
8	R26375	O-RING	2		16.358 X 2.210 MM (0.644" X 0.087")
9	R77178	CLAMP	1		
10	14M7296	FLANGE NUT	1		M10
11	19M7658	CAP SCREW	1	-655400	M10 X 50
	03M7196	BOLT	1	655401-	M10 X 50, (IMPORT)
12	19M7866	SCREW	4		M8 X 20
	14M7298	FLANGE NUT	4		M8
13	R44302	TIE BAND	3		171MM (6-3/4") LONG
14	H148366	BRACKET	1		
15	19M7864	SCREW	2		M8 X 12
16	T77857	O-RING	3		12.421 X 1.778 MM (0.489" X 0.070")
17	38H1017	TEE FITTING	1		
18	AH148124	HYDRAULIC HOSE	1		13/16" X 460 MM (18") X 13/16", (SUB FOR AH144095)
19	38H1161	ADAPTER	1		
20	N232713	HANDLE	1		
21	K40001	LOCK NUT	1		6.350 MM (1/4")
22	AH131535	VALVE	1		
23	38H1481	REDUCER	1		
24	H75541	CLAMP	4		
25	03M7183	BOLT	1		M8 X 16
	19M7298	CAP SCREW	1		M8 X 35
26	14M7296	FLANGE NUT	1		M10

## HYDRAULIC RETURN LINES

(-655400)

HP3184 -UN-01JAN94



# 3E24

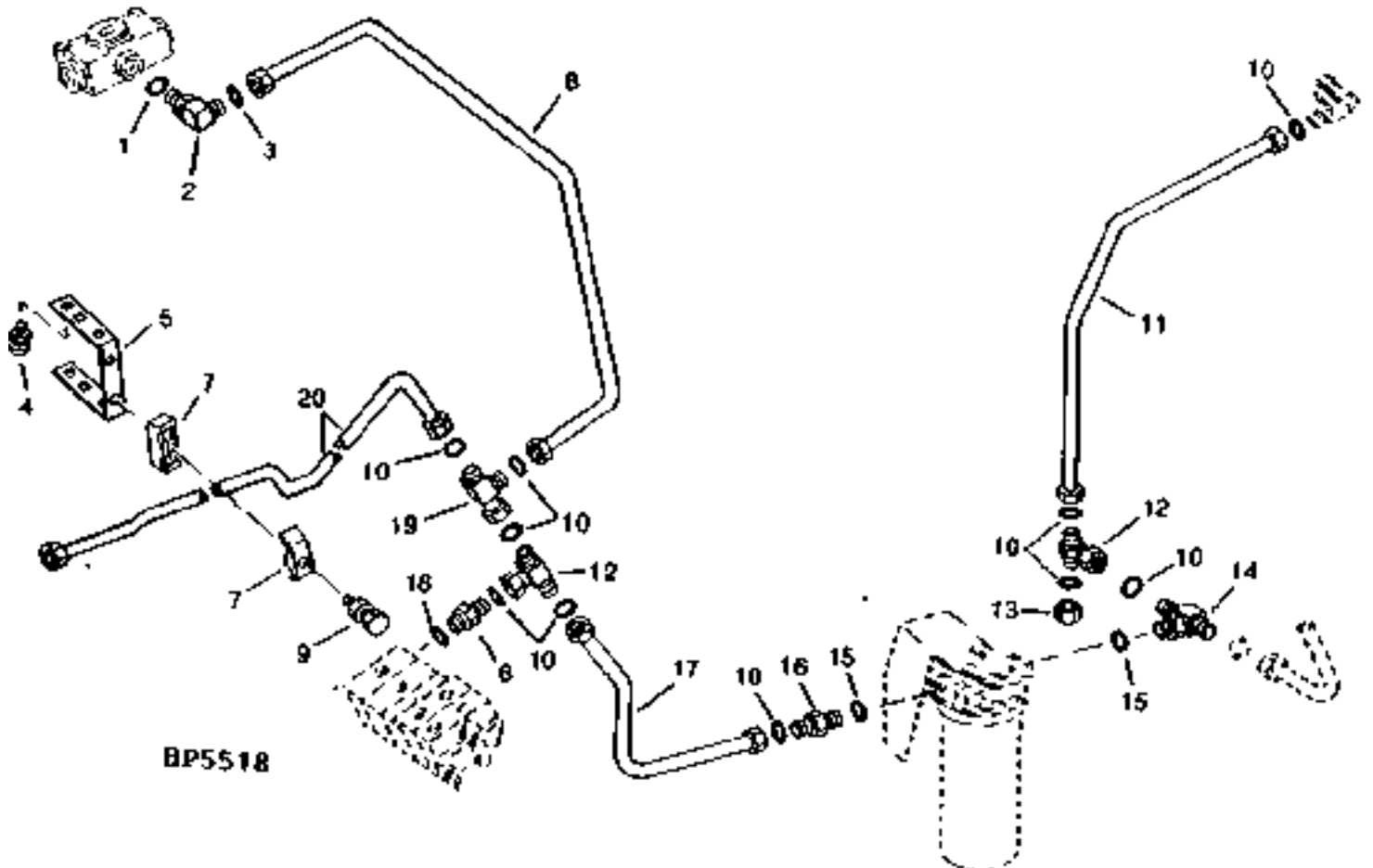
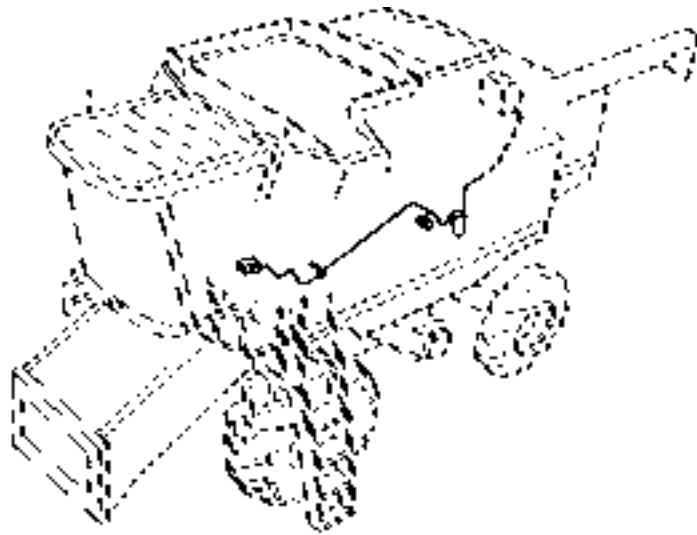
HYDRAULICS

## HYDRAULIC RETURN LINES - CONTINUED ( -655400)

KEY	PART NO.	PART NAME	QTY	SERIAL NO.	REMARKS
1	R26906	O-RING	1		19.177 X 2.464 MM (0.755" X 0.097")
2	38H1018	TEE FITTING	1		
3	T77932	O-RING	2		15.596 X 1.778 MM (0.614" X 0.070")
4	03M7184	BOLT	4		M8 X 20 (RD. HEAD)
	14M7396	LOCK NUT	4		M8
5	H131115	BRACKET	1		
6	38H1193	ADAPTER	1		
7	H120847	CLAMP	2		
8	AH140937	OIL LINE	1		(REEL RETURN)
	AH128851	OIL LINE	1	660401-	(CONTOUR MASTER)
9	19M7913	SCREW	1		M8 X 90
	14M7298	FLANGE NUT	1		M8
10	T77858	O-RING	8		18.771 X 1.778 MM (0.739" X 0.070")
11	AH130448	HYDRAULIC LINE	1		(RETURN)
12	38H1041	TEE FITTING	2		
13	38H1418	FITTING PLUG	1		
14	38H1437	TEE FITTING	1		
15	R29936	O-RING	2		29.743 X 2.946 MM (1.171" X 0.116")
16	38H1194	ADAPTER	1		
17	AH126122	HYDRAULIC LINE	1		(RETURN)
18	R26375	O-RING	1		16.358 X 2.210 MM (0.644" X 0.087")

## HYDRAULIC RETURN LINES

(655401- )  
HP5518 -UN-01JAN94



# 3F2

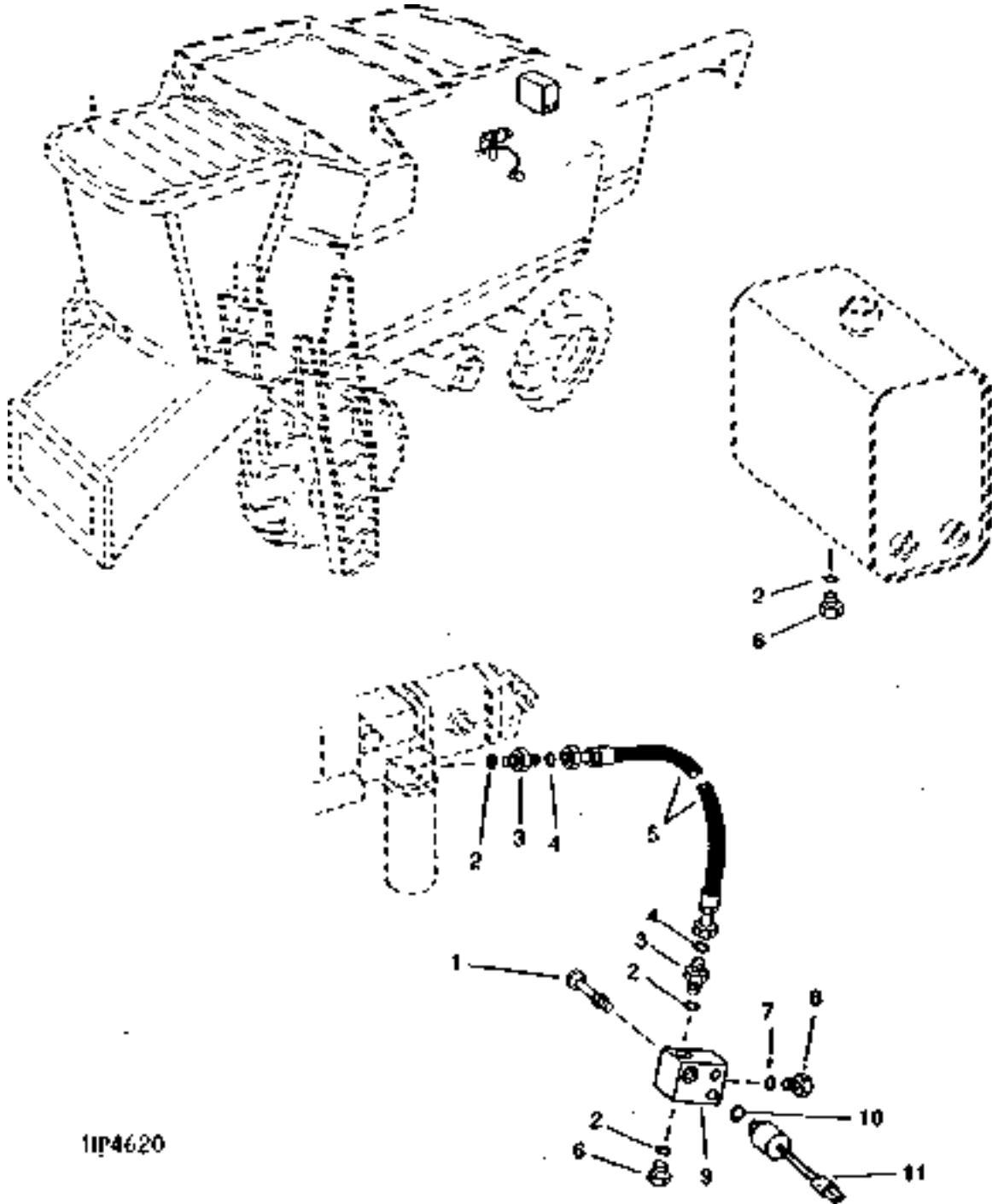
HYDRAULICS

## HYDRAULIC RETURN LINES - CONTINUED (655401- )

KEY	PART NO.	PART NAME	QTY	SERIAL NO.	REMARKS
1	R26906	O-RING	1		19.177 X 2.464 MM (0.755" X 0.097")
2	38H1006	ELBOW FITTING	1		
3	T77932	O-RING	2		15.596 X 1.778 MM (0.614" X 0.070")
4	03M7184	BOLT	4		M8 X 20 (RD. HEAD)
	14M7396	LOCK NUT	4		M8
5	H131115	BRACKET	1		
6	38H1193	ADAPTER	1		
7	H120847	CLAMP	2		
8	AH144345	LINE	1		(SUB FOR AH143435) REEL RETURN
9	19M7913	SCREW	1		M8 X 90
	14M7298	FLANGE NUT	1		M8
10	T77858	O-RING	9		18.771 X 1.778 MM (0.739" X 0.070")
11	AH130448	HYDRAULIC LINE	1		(RETURN)
12	38H1041	TEE FITTING	2		
13	38H1418	FITTING PLUG	1		
14	38H1437	TEE FITTING	1		
15	R29936	O-RING	2		29.743 X 2.946 MM (1.171" X 0.116")
16	38H1194	ADAPTER	1		
17	AH126122	HYDRAULIC LINE	1		(RETURN)
18	R26375	O-RING	1		16.358 X 2.210 MM (0.644" X 0.087")
19	38H1033	TEE FITTING	1		
20	AH143436	LINE	1		

# 3F3

CHARGE PRESSURE HOSE  
HP4620 -UN-01JAN94



# 3F4

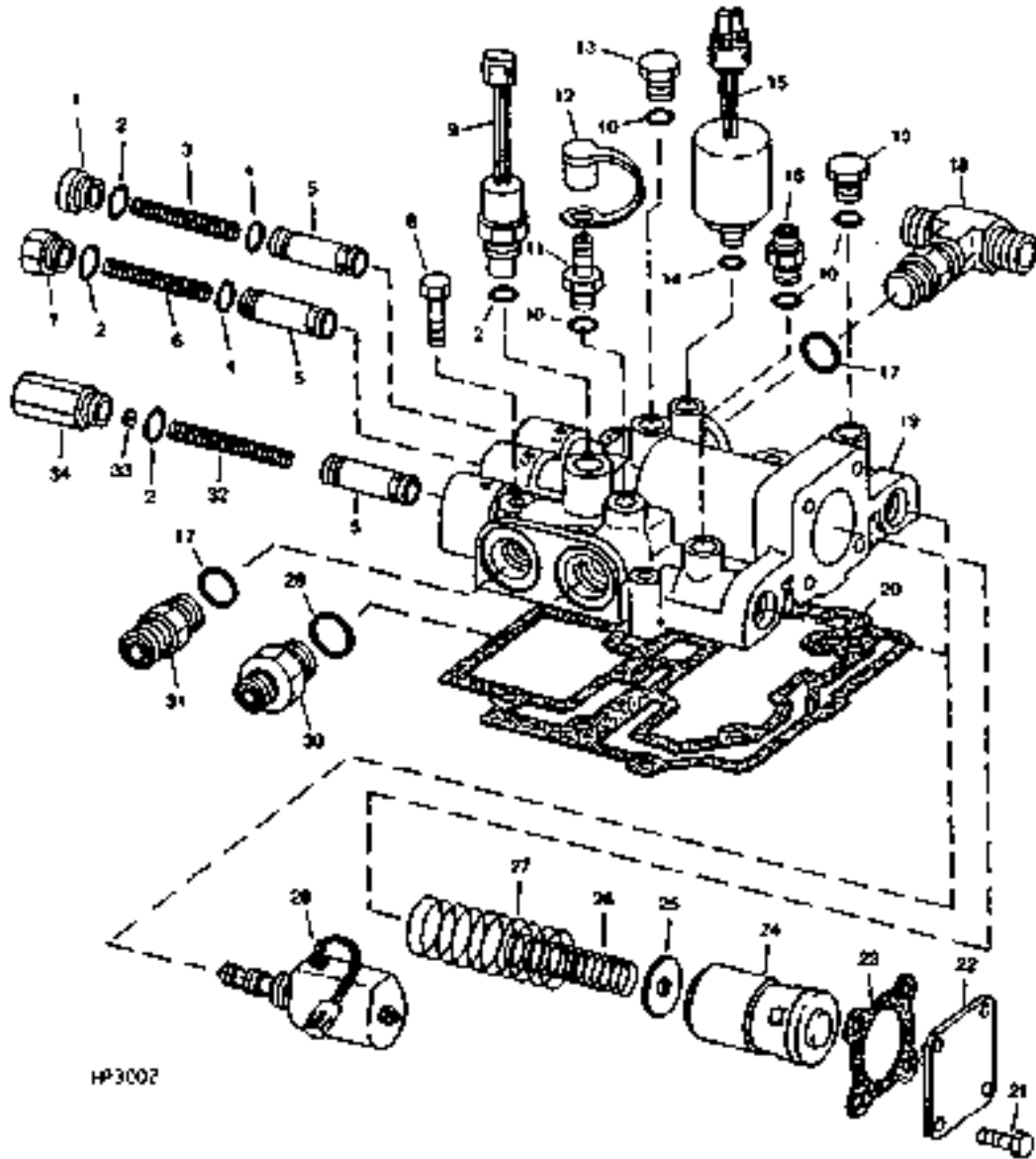
HYDRAULICS

## CHARGE PRESSURE HOSE - CONTINUED

KEY	PART NO.	PART NAME	QTY	SERIAL NO.	REMARKS
1	03M7267	BOLT	2	M8 X 80	
	14M7298	FLANGE NUT	2	M8	
2	R26448	O-RING	4	11.887 X 1.981 MM (0.468" X 5/64")	
3	38H1160	ADAPTER	2		
4	T77613	O-RING	2	9.246 X 1.778 MM (0.364" X 0.070")	
5	AH128894	HYDRAULIC HOSE	1	11/16" X 570 MM (22-1/2") X 11/16" (PRESSURE)	
6	R27218	FITTING PLUG	2		
7	R26375	O-RING	1		
8	R39112	FITTING	1		
9	H139448	FITTING	1		
10	R28782	O-RING	1	8.915 X 1.829 MM (0.351" X 0.072")	
11	AH128929	SWITCH	1		

# 3F5

## ENGINE GEARCASE PRESSURE REGULATOR HP3002 -UN-10OCT88



HP3002



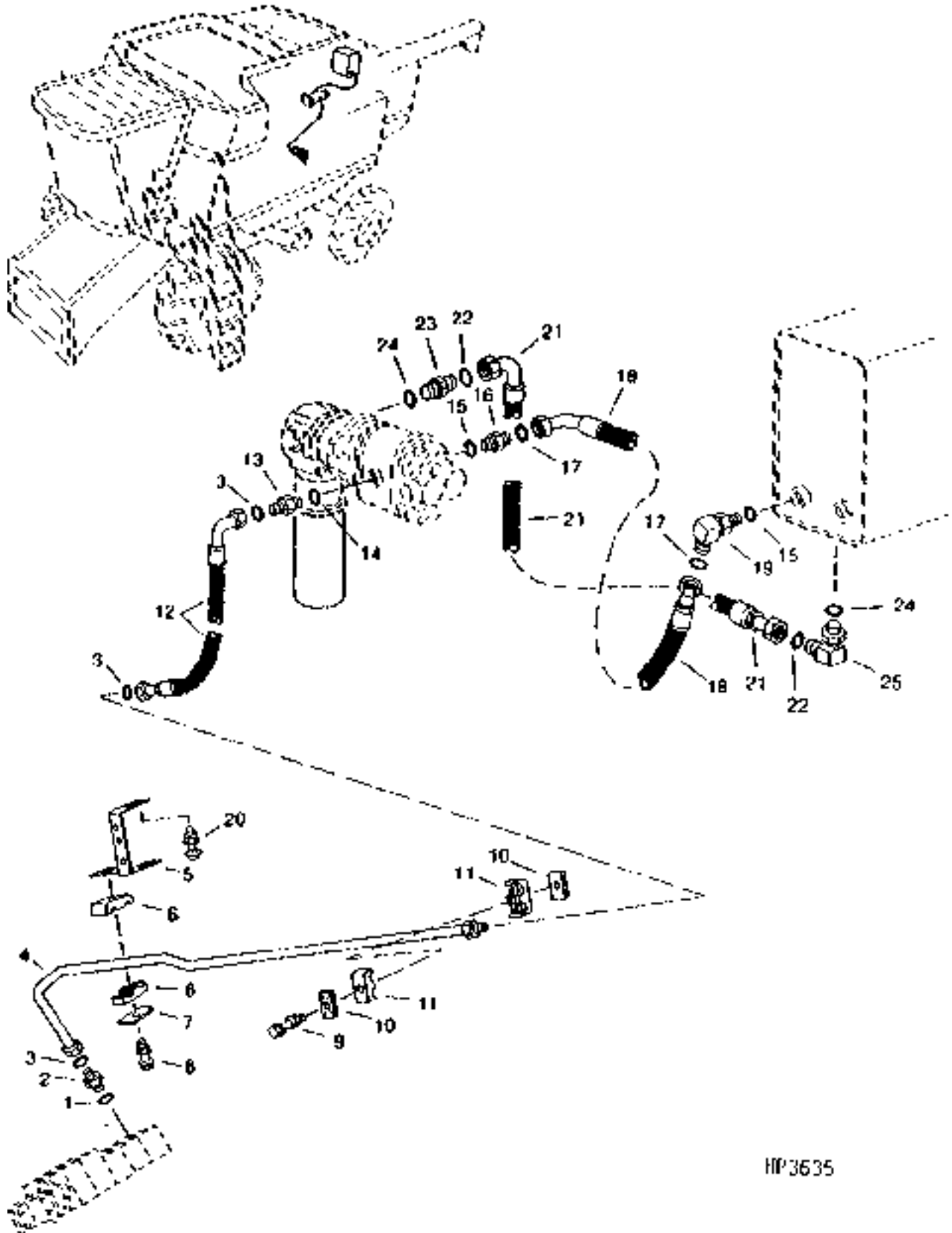
# 3F6

HYDRAULICS

## ENGINE GEARCASE PRESSURE REGULATOR - CONTINUED

KEY	PART NO.	PART NAME	QTY	SERIAL NO.	REMARKS
1	R33138	FITTING	1		
2	R26375	O-RING	4		16.358 X 2.210 MM (0.644" X 0.087")
3	H89241	SPRING	1		
4	R28776	O-RING	2		12.421 X 1.778 MM (0.489" X 0.070")
5	R63980	VALVE	3		
6	R56782	SPRING	1		
7	H126026	FITTING	1		
8	19M7979	SCREW	7		M8 X 55
9	AH116105	SWITCH	1		TEMPERATURE
	R78059	ELECTRICAL PLUG	1		(PKG OF 40)
10	R26448	O-RING	4		11.887 X 1.981 MM (0.468" X 5/64")
11	AH125760	HYD. QUICK-CONNECT COUPLER	1		
12	R77175	COVER	1		
13	R27218	FITTING PLUG	2		
14	R28782	O-RING	1		8.915 X 1.829 MM (0.351" X 0.072")
15	AH135744	SWITCH	1		PRESSURE
	RE12363	CONNECTOR	1		
	R78063	TERMINAL NIPPLE	1		
	R78060	SOCKET CONTACT	1		
16	38H1160	ADAPTER	1		
17	R26906	O-RING	2		19.177 X 2.464 MM (0.755" X 0.097")
18	38H1018	TEE FITTING	1		
19	H132970	HOUSING	1		
20	H129328	GASKET	1		
21	19M7867	SCREW	4		M8 X 25
22	H118906	COVER	1		
23	H129765	GASKET	1		
24	T77514	PISTON	1		
25	24M7101	WASHER	1		11 X 34 X 3 MM, (SUB FOR 24H1312)
26	R47449	SPRING	1		
27	T45132	SPRING	1		
28	AH128655	SOLENOID VALVE	2		
29	U12547	O-RING	1		23.470 X 2.946 MM (0.924" X 0.116")
30	38H1175	ADAPTER	1		
31	38H1162	ADAPTER	1		
32	T60314	SPRING	1		
33	R33521	SHIM	AR		
34	H126028	FITTING	1		
..	AH128785	SHUT-OFF VALVE	1		(COMPLETE) DOES NOT INCLUDE KEYS 8 AND 20

HYDRAULIC PRESSURE LINES AND HOSES  
HP3635 -UN-01JAN94



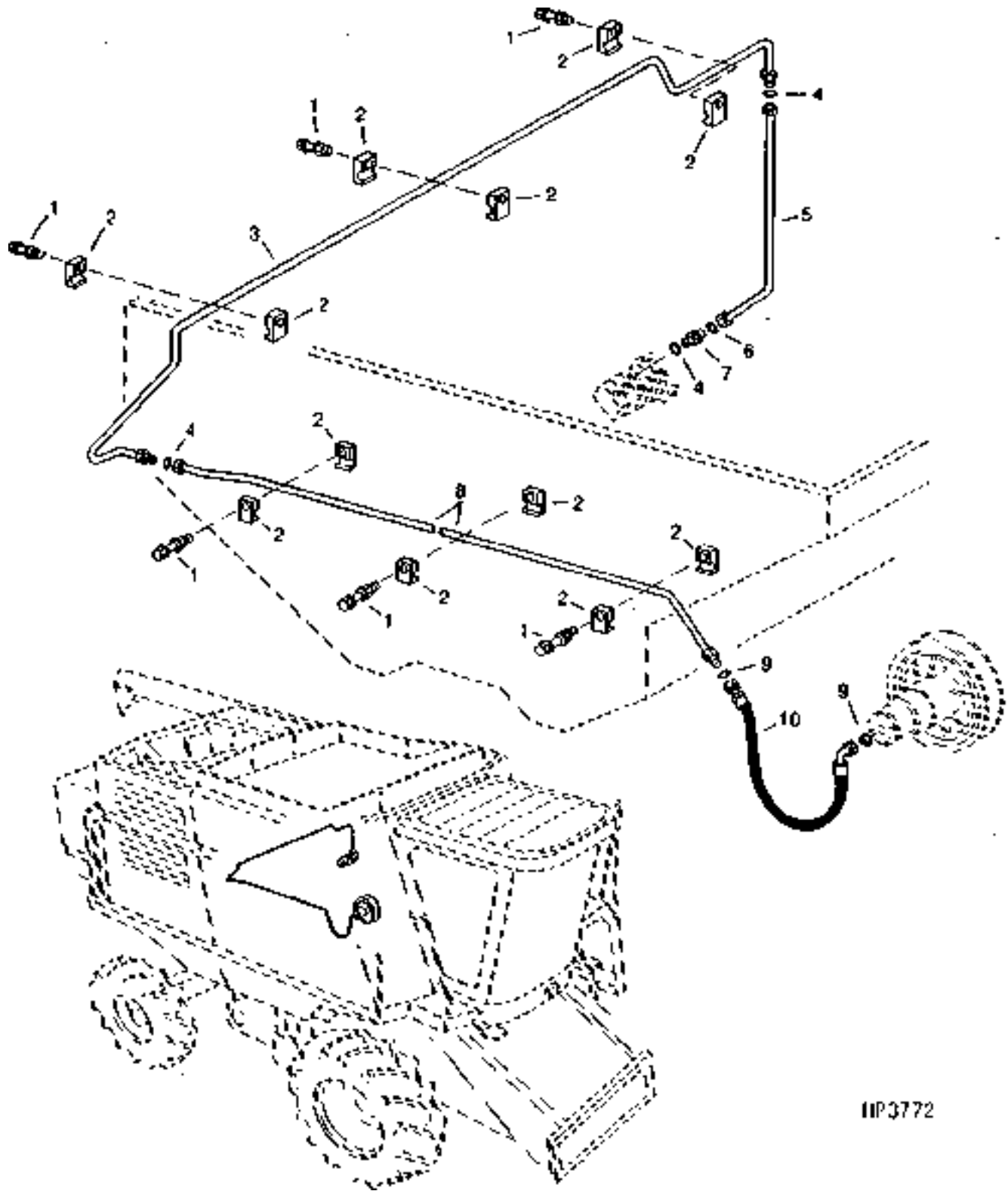
HP3635

## HYDRAULIC PRESSURE LINES AND HOSES - CONTINUED

KEY	PART NO.	PART NAME	QTY	SERIAL NO.	REMARKS
1	R26375	O-RING	1		16.358 X 2.210 MM (0.644" X 0.087")
2	38H1317	FITTING	1		
3	T77932	O-RING	3		15.596 X 1.778 MM (0.614" X 0.070")
4	AH129244	OIL LINE	1		
5	H133659	BRACKET	1		
6	H109046	CLAMP	2		
7	H121168	PLATE	1		
8	19M8318	SCREW	1		M8 X 45
	14M7298	FLANGE NUT	1		M8
9	19M7801	SCREW	1		M8 X 60
	14M7298	FLANGE NUT	1		M8
10	H112567	PLATE	2		
11	H111730	CLAMP	2		
12	AH166953	HYDRAULIC HOSE	1		(SUB FOR AH128742)
13	38H1162	ADAPTER	1		
14	R26906	O-RING	1		19.177 X 2.464 MM (0.755" X 0.097")
15	R29936	O-RING	2		29.743 X 2.946 MM (1.171" X 0.116")
16	38H1164	ADAPTER	1		
17	T76938	O-RING	2		23.520 X 1.778 MM (0.926" X 0.070")
18	AH126240	HYDRAULIC HOSE	1		1-7/16" X 600 MM (23-1/2") X 1-7/16"
19	38H1037	ELBOW FITTING	1		
20	03M7184	BOLT	4		M8 X 20 (RD. HEAD)
	14M7396	LOCK NUT	4		M8
21	AH126242	HYDRAULIC HOSE	1		1-7/16" X 730 MM (28-3/4") X 1-7/16"
22	T76938	O-RING	2		23.520 X 1.778 MM (0.926" X 0.070")
23	38H1164	ADAPTER	1		
24	R29936	O-RING	2		29.743 X 2.946 MM (1.171" X 0.116")
25	38H1037	ELBOW FITTING	1		

# 3F9

CYLINDER SPEED HYDRAULIC LINES AND HOSES  
HP3772 -UN-01JAN94



HP3772

# 3F10

HYDRAULICS

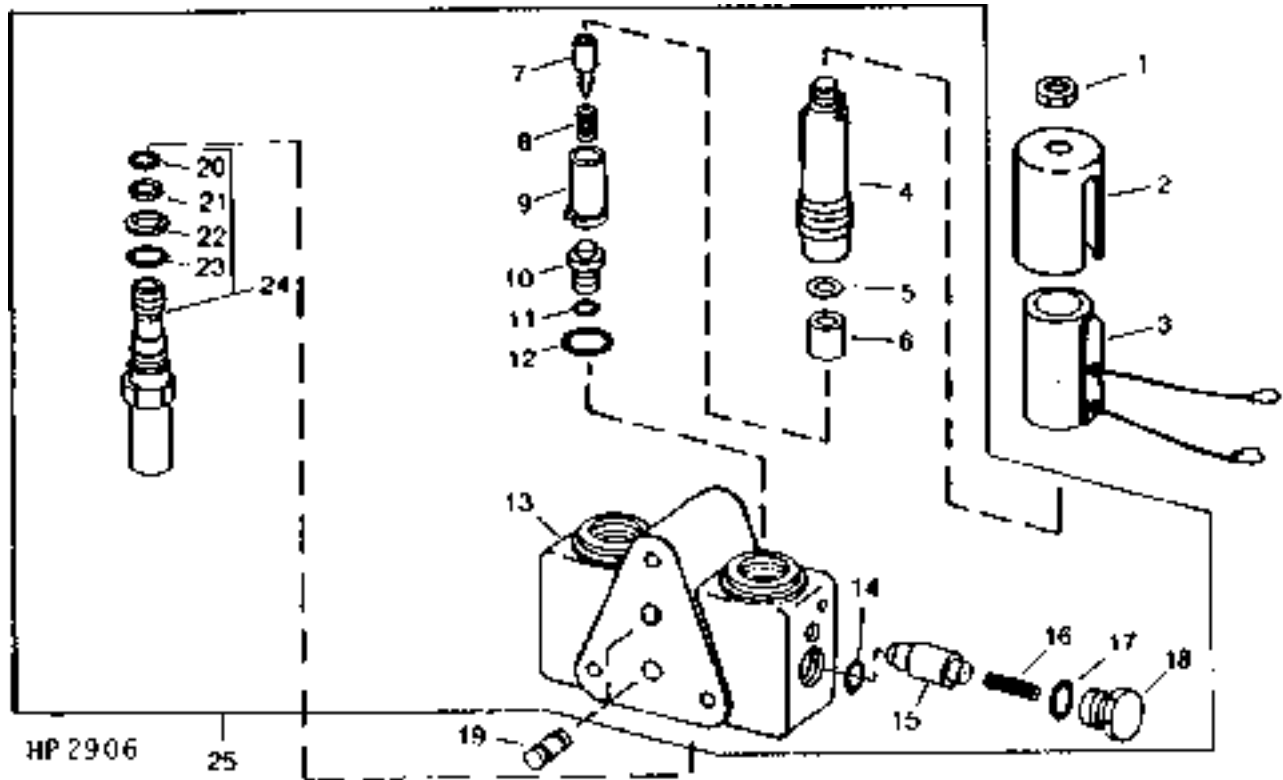
## CYLINDER SPEED HYDRAULIC LINES AND HOSES - CONTINUED

KEY	PART NO.	PART NAME	QTY	SERIAL NO.	REMARKS
1	19M8317	SCREW	6	M8 X 40	
	14M7298	FLANGE NUT	6	M8	
2	H127589	CLAMP	12		
3	AH127892	HYDRAULIC LINE	1		
4	R26448	O-RING	3	11.887 X 1.981 MM (0.468" X 5/64")	
5	AH128853	HYDRAULIC LINE	1		
6	R26448	O-RING	3	11.887 X 1.981 MM (0.468" X 5/64")	
7	AH130629	FITTING	1		
8	AH128640	HYDRAULIC LINE	1		
9	T77814	O-RING	2	7.645 X 1.778 MM (0.301" X 0.070")	
10	AH128639	HYDRAULIC HOSE	1	9/16" X 410 MM (16-1/4") X 9/16"	

# 3F11

HYDRAULICS

**SOLENOID CONTROL RELIEF VALVE MODULE**  
 HP2906 -UN-01JAN94

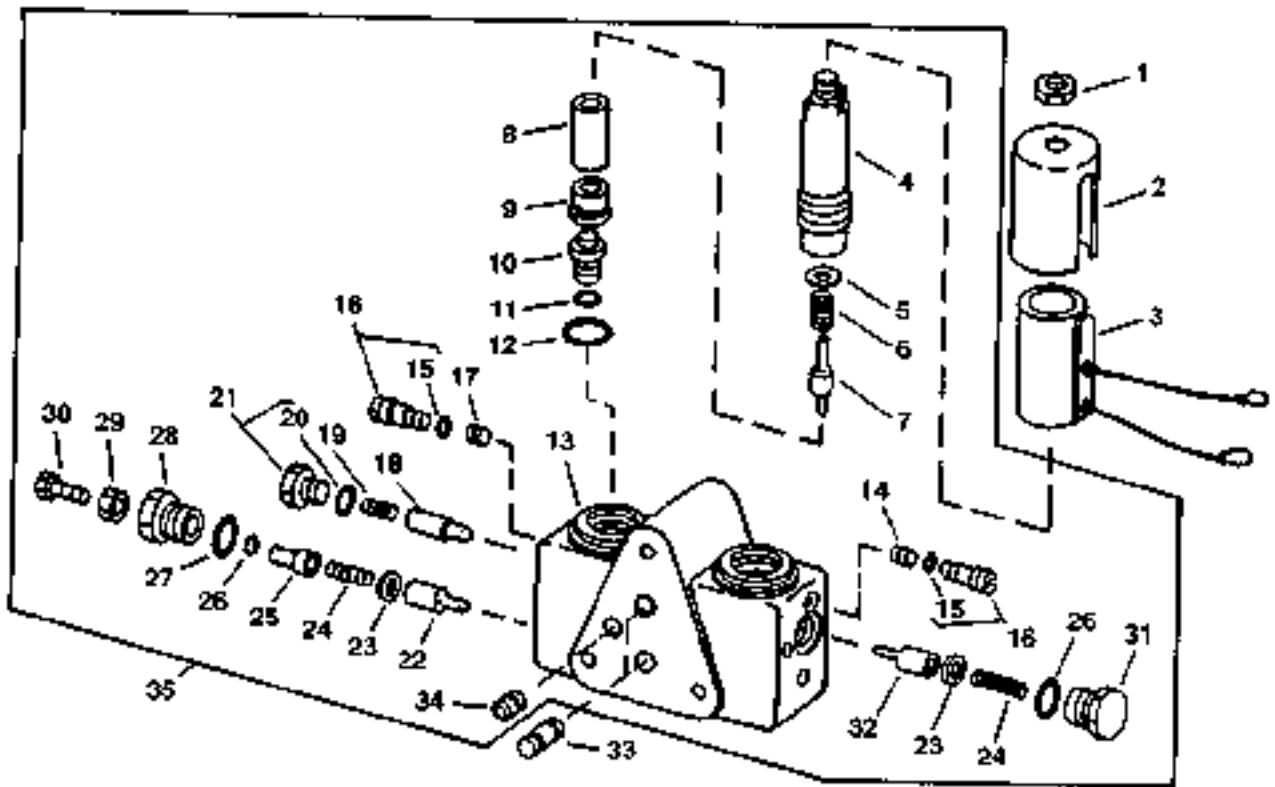


KEY	PART NO.	PART NAME	QTY	SERIAL NO.	REMARKS
1	A4655R	NUT	1		12.700 MM (1/2")
2	E62942	COVER	1		
3	AH124731	ELECTRICAL COIL	1		
4	.....	SLEEVE	1		(A) (A)(B)
5	.....	WASHER	1		(A) (B) (A)
6	.....	ARMATURE	1		(A) (A)(B)
7	.....	POPPET	1		(A) (B) (A)
8	.....	SPRING	1		(A) (B) (A)
9	.....	GUIDE	1		(A) (A)(B)
10	.....	ORIFICE	1		(A) (B) (A)
11	U40962	O-RING	1		6.071 X 1.778 MM (0.239" X 0.070") (A)
12	T75984	O-RING	1		(B)
13	.....	HOUSING	1		(SUB AH131327)
14	R27564	O-RING	1		
15	.....	POPPET	1		
16	.....	SPRING	1		
17	R26906	O-RING	1		19.177 X 2.464 MM (0.755" X 0.097")
18	.....	PIPE PLUG	1		
19	AH131326	SEAL	2		(WITH O-RINGS AND BACKUPS)
20	.....	SEAL	1		(C)
21	.....	O-RING	1		(C)
22	.....	O-RING	1		(C)
23	.....	SEAL	1		(C)
24	AH147085	RELIEF VALVE	1		(SUB FOR AH132162) (CONTOUR MASTER)
25	AH147097	VALVE	1		(SUB FOR AH131327) UNLOAD (RELIEF) (CONTOUR MASTER)
..	AH134833	SEAL KIT	1		INCLUDES PARTS MARKED (A)
..	AE37060	KIT	1		INCLUDES PARTS MARKED (B)
..	AH148472	SEAL KIT	1		(SUB FOR AH132161) INCLUDES PARTS MARKED (C)

MEMORANDA

# 3F12

**SOLENOID CONTROL VALVE FOR HEADER LIFT MODULE**  
HP6630 -UN-29JAN97



HP6630



# 3F13

HYDRAULICS

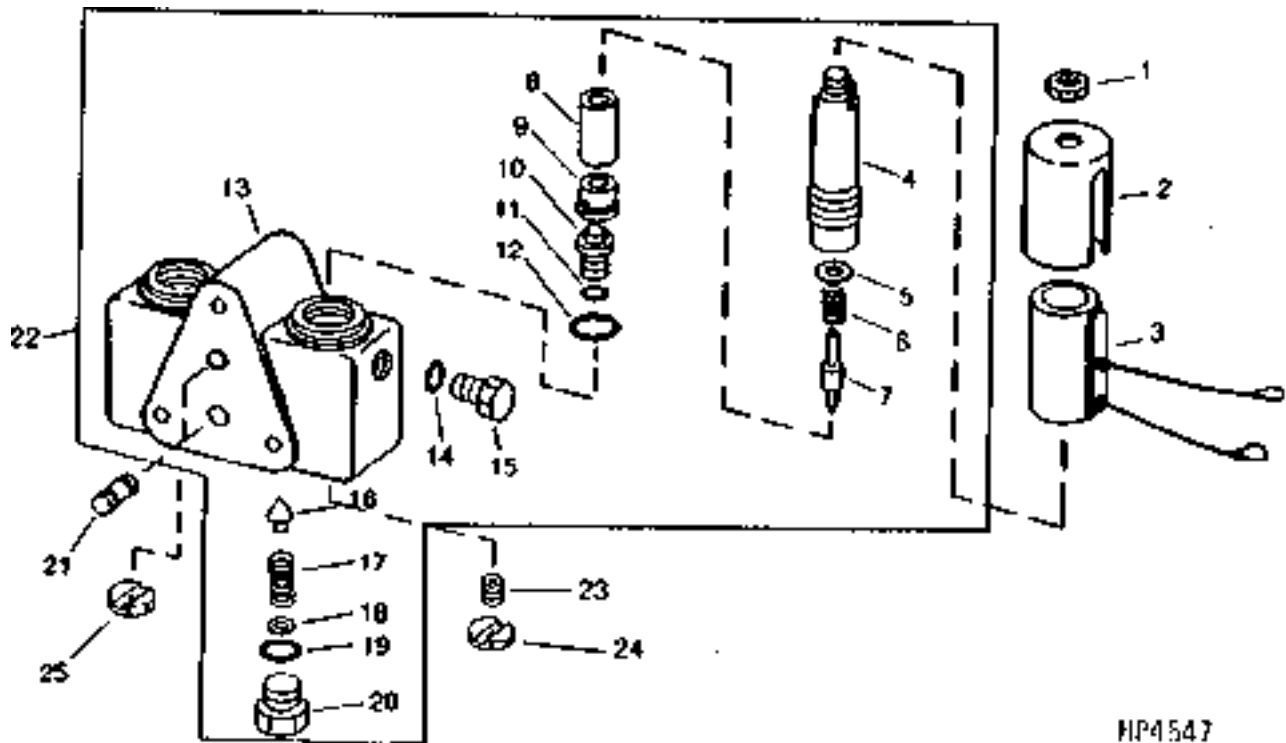
## SOLENOID CONTROL VALVE FOR HEADER LIFT MODULE - CONTINUED

KEY	PART NO.	PART NAME	QTY	SERIAL NO.	REMARKS
1	A4655R	NUT	2		12.700 MM (1/2")
2	E62942	COVER	2		
3	AH124731	ELECTRICAL COIL	2		
4	.....	SLEEVE	2		(B) (D)
5	.....	WASHER	2		(C) (D)
6	E62089	SPRING	2		(C) (D)
7	.....	POPPET	2		(C) (D)
8	.....	ARMATURE	2		(B) (D)
9	.....	SOLENOID	2		(B) (D)
10	.....	ORIFICE	2		(C) (D)
11	U40962	O-RING	2		6.071 X 1.778 MM (0.239" X 0.070") (C) (D)
12	T75984	O-RING	2		20.345 X 1.778 MM (0.801" X 0.070") (D)
13	.....	HOUSING	1		(SUB AH131404)
14	.....	ORIFICE	1		
15	.....	O-RING	2		
16	AE38734	PLUG	2		
17	.....	ORIFICE	1		
18	E66620	CHECK VALVE	1		(D)
19	E66619	SPRING	1		
20	R28782	O-RING	1		8.915 X 1.829 MM (0.351" X 0.072")
21	AN122518	FITTING	1		
22	H142183	CHECK VALVE	1		(D)
23	H148775	O-RING	2		10.668 X 13.716 X 1.524 MM (0.420" X 0.540" X 0.060") (D)
24	E66618	SPRING	2		
25	.....	STOP	1		(A)
26	U42902	RING	1		(A)
27	R26448	O-RING	2		11.887 X 1.981 MM (0.468" X 5/64") (A)
28	.....	CAP	1		(A)
29	14H850	NUT	1		1/4"
30	19H1914	CAP SCREW	1		1/4" X 1"
31	.....	CAP	1		
32	.....	POPPET	1		(SUB AH131404)
33	AH131326	SEAL	2		(WITH O-RING AND BACK-UP RING)
34	AH131405	SEAL	1		(WITH O-RING AND BACK-UP RING)
35	AH147084	VALVE	1		(SUB FOR AH131404 OR AH142450) (CONTOUR MASTER)
..	AE38021	KIT	1		ADJUSTABLE STOP (INCLUDES PARTS MARKED (A))
..	AZ51851	GUIDE	1		ARMATURE (INCLUDES PARTS MARKED (B)) (SUB FOR AH139240)
..	AE50995	POPPET	1		POPPET (INCLUDES PARTS MARKED (C))
..	AH151400	SEAL KIT	1	670401-	HEADER LEAKDOWN REPAIR KIT (INCLUDES PARTS MARKED (D))

# 3F14

HYDRAULICS

SOLENOID CONTROL VALVE FOR REEL LIFT / VARIABLE AND CYLINDER SPEED  
HP4547 -UN-01JAN94



HP4547

# 3F15

HYDRAULICS

**SOLENOID CONTROL VALVE FOR REEL LIFT/VARIABLE AND CYLINDER SPEED-CONT.**

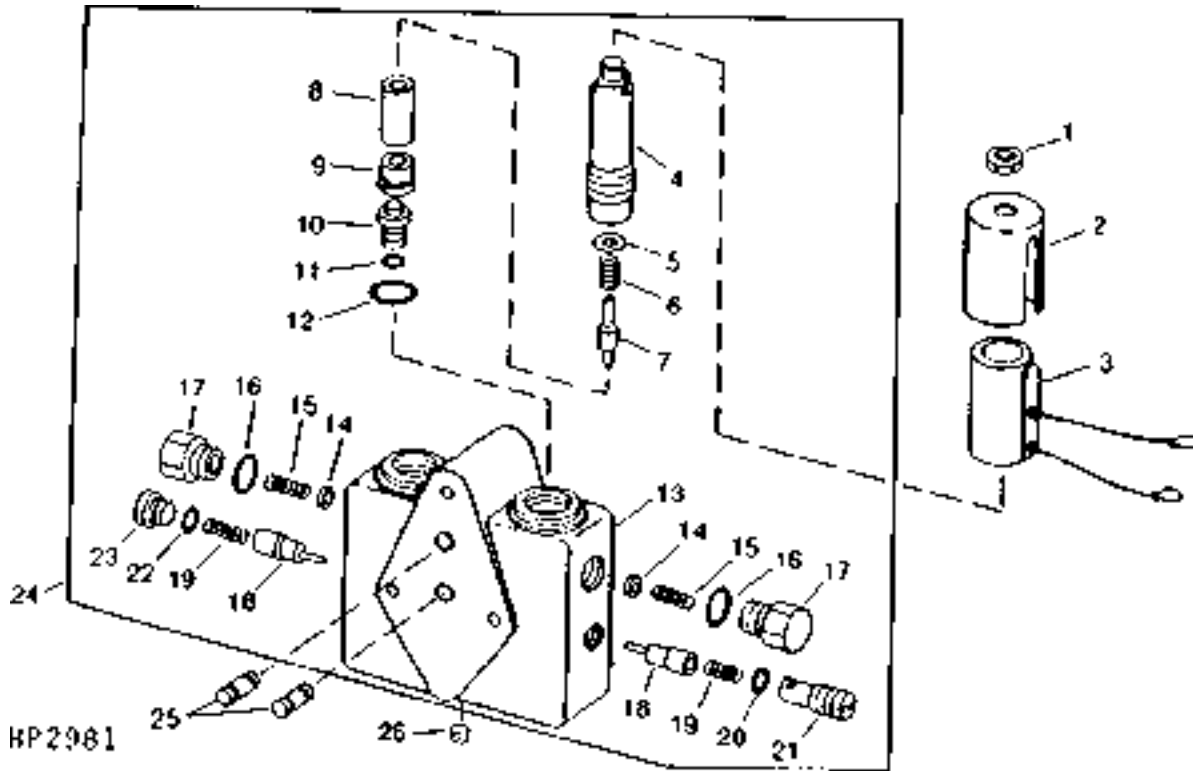
KEY	PART NO.	PART NAME	QTY	SERIAL NO.	REMARKS
1	A4655R	NUT	2		12.700 MM (1/2")
2	E62942	COVER	2		
3	AH124731	ELECTRICAL COIL	2		
4	.....	SLEEVE	2	(A)	
5	.....	WASHER	2	(B)	
6	E62089	SPRING	2	(B)	
7	.....	POPPET	2	(B)	
8	.....	ARMATURE	2	(A)	
9	.....	SOLENOID	2	(A)	
10	.....	ORIFICE	2	(B)	
11	U40962	O-RING	2		6.071 X 1.778 MM (0.239" X 0.070") (B)
12	T75984	O-RING	2		20.345 X 1.778 MM (0.801" X 0.070")
13	.....	HOUSING	2		(KIT AH139060)
14	R30903	O-RING	1		6.071 X 1.626 MM (0.239" X 0.064")
15	K40994	FITTING	1		(NO LONGER AVAILABLE)
16	.....	POPPET	1	(C)	
17	.....	SPRING	1	(C)	
18	.....	SHIM	AR	(C)	
19	R28782	O-RING	1		8.915 X 1.829 MM (0.351" X 0.072") (C)
20	.....	PLUG	1		(C)
21	AH131326	SEAL	2		(WITH O-RING AND BACKUP RING)
22	AH139060	VALVE	1		(LESS COILS AND CONNECTING TUBES) (USE WITH E62917, H145051, H145052, (2) 38H1309)
23	E62917	ORIFICE	1		.508 MM DIA.
24	H145052	APERTURE	1		.406 MM DIA.
25	H145051	APERTURE	1		.940 MM DIA.
..	AZ51851	GUIDE	2		ARMATURE INCS PARTS MARKED (A) (SUB FOR AH139240)
..	AH131420	SEAT KIT	2		POPPET INCS PARTS MARKED (B)
..	AH131421	SEAT KIT	1		RELIEF INCS PARTS MARKED (C)

# 3F16

HYDRAULICS

## SOLENOID CONTROL VALVE FOR AUGER SWING

(-650400)  
HP2981 -UN-01JAN94



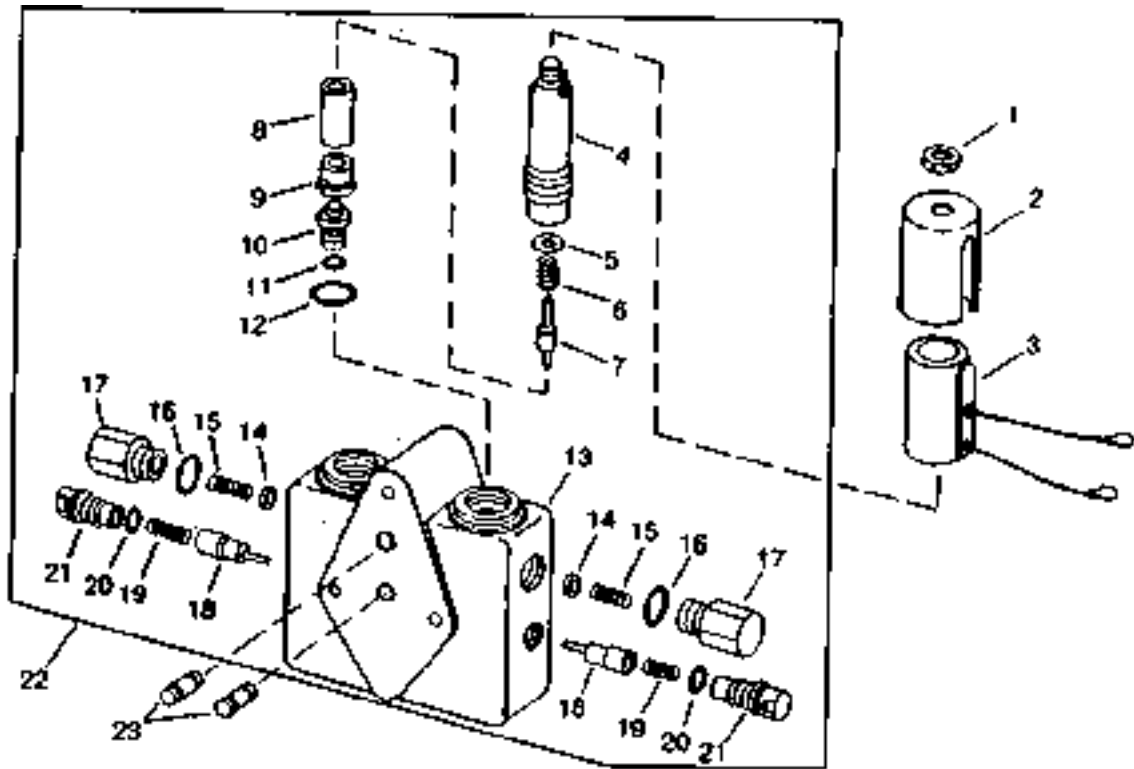
KEY	PART NO.	PART NAME	QTY	SERIAL NO.	REMARKS
1	A4655R	NUT	2		12.700 MM (1/2")
2	E62942	COVER	2		
3	AH124731	ELECTRICAL COIL	2		
4	.....	SLEEVE	2		(A)
5	.....	WASHER	2		(B)
6	E62089	SPRING	2		(B)
7	.....	POPPET	2		(B)
8	.....	ARMATURE	2		(A)
9	.....	SOLENOID	2		(A)
10	.....	ORIFICE	2		(B)
11	U40962	O-RING	2		6.071 X 1.778 MM (0.239" X 0.070") (B)
12	T75984	O-RING	2		20.345 X 1.778 MM (0.801" X 0.070")
13	.....	HOUSING	1		(NOT SERVICED) (SUB AH131461)
14	E62094	WASHER	2		7.620 X 17.526 X 2.388 MM (0.300" X 0.690" X 3/32")
15	E62093	SPRING	2	-650109	
	AE49003	KIT	2		
	R26906	O-RING	2		19.177 X 2.464 MM (0.755" X 0.097")
17	E62092	PIPE PLUG	2		
	AE49003	KIT	2	-650109	
18	AH131460	CHECK VALVE	2		
19	.....	SPRING	2		
20	U40745	O-RING	1		15.545 X 2.616 MM (0.612" X 0.103")
21	.....	CAP	1		
22	R26448	O-RING	1		11.887 X 1.981 MM (0.468" X 5/64")
23	.....	CAP	1		
24	AH147086	VALVE	1		(LESS COILS AND CONNECTING TUBES) (SUB FOR AH131461 OR AZ47075)
25	AH131326	SEAL	2		(WITH O-RING AND BACK-UP RING)
26	H135776	ORIFICE	1		1.067 MM DIA.
..	AZ51851	GUIDE	2		ARMATURE INCS. PARTS MARKED (A) (SUB FOR AH139240)
..	AE49777	POPPET	2		(SUB FOR (2) AE37848) POPPET INCS PARTS MARKED (B)

# 3F17

HYDRAULICS

## SOLENOID CONTROL VALVE FOR AUGER SWING

(650401- )  
HP5293 -UN-01JAN94



HP5293

KEY	PART NO.	PART NAME	QTY	SERIAL NO.	REMARKS
1	A4655R	NUT	2	12.700 MM	
2	E62942	COVER	2		
3	AH124731	ELECTRICAL COIL	2		
4	.....	SLEEVE	2	(A)	
5	.....	WASHER	2	(B)	
6	E62089	SPRING	2	(B)	
7	.....	POPPET	2	(B)	
8	.....	ARMREST	2	(A)	
9	.....	SOLENOID	2	(A)	
10	.....	ORIFICE	2	(B)	
11	U40962	O-RING	2	(B) 6.071 X 1.778 MM (0.239" X 0.070")	
12	T75984	O-RING	2	20.345 X 1.778 MM (0.801" X 0.070")	
13	.....	HOUSING	1	(SUB AZ47075)	
14	E62094	WASHER	2	7.620 X 17.526 X 2.388 MM	
15	.....	SPRING	2	(KIT AE49003)	
16	R26906	O-RING	2	19.177 X 2.464 MM (0.755" X 0.097") (KIT AE49003)	
17	.....	PIPE PLUG	2	(KIT AE49003)	
18	.....	CHECK VALVE	2	(SUB AH142731)	
19	.....	SPRING	2	(SUB AH142731)	
20	U40745	O-RING	2	15.545 X 2.616 MM (0.612" X 0.103")	
21	.....	CAP	2	(SUB AH142731)	
22	AH147086	VALVE	1	(SUB FOR AZ47075)	
23	AH131326	SEAL	2		
..	AZ51851	GUIDE	2	(SUB FOR AH139240) INCLUDES PARTS MARKED (A)	
..	AE49777	POPPET	2	INCLUDES PARTS MARKED (B)	

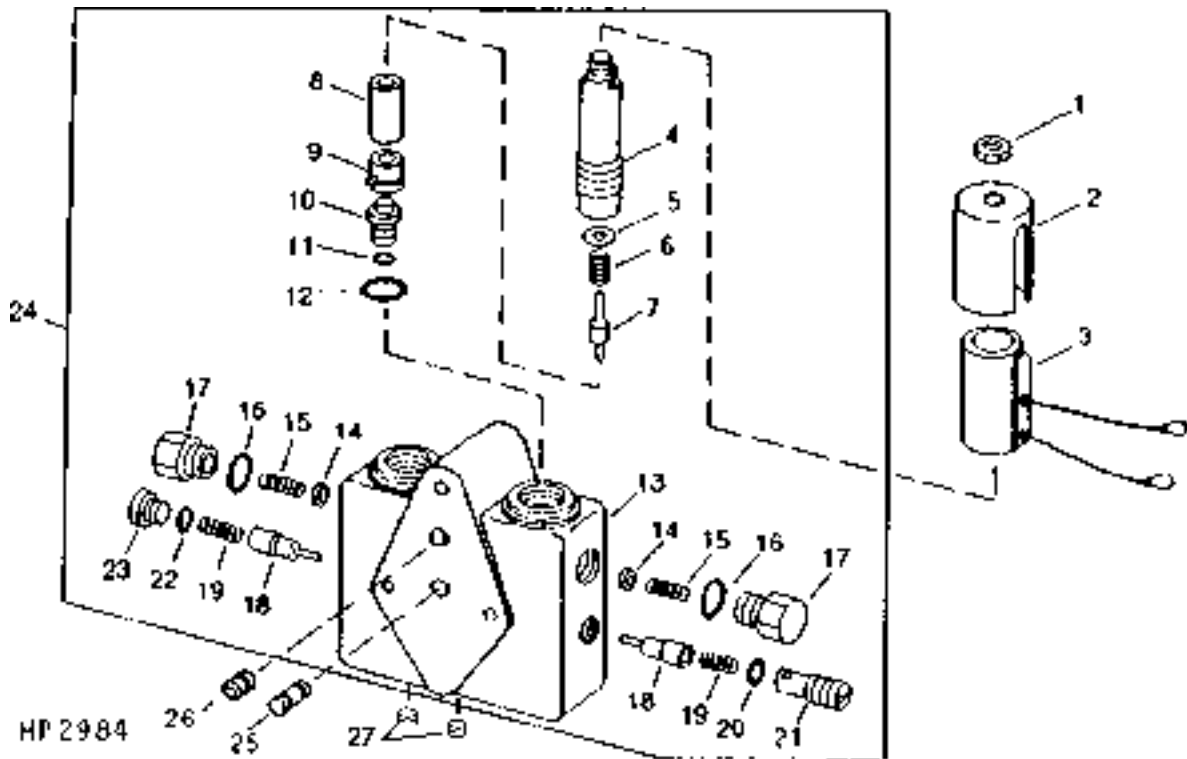
# 3F18

HYDRAULICS

## SOLENOID CONTROL VALVE FOR REEL FORE / AFT

(-650400)

HP2984 -UN-01JAN94



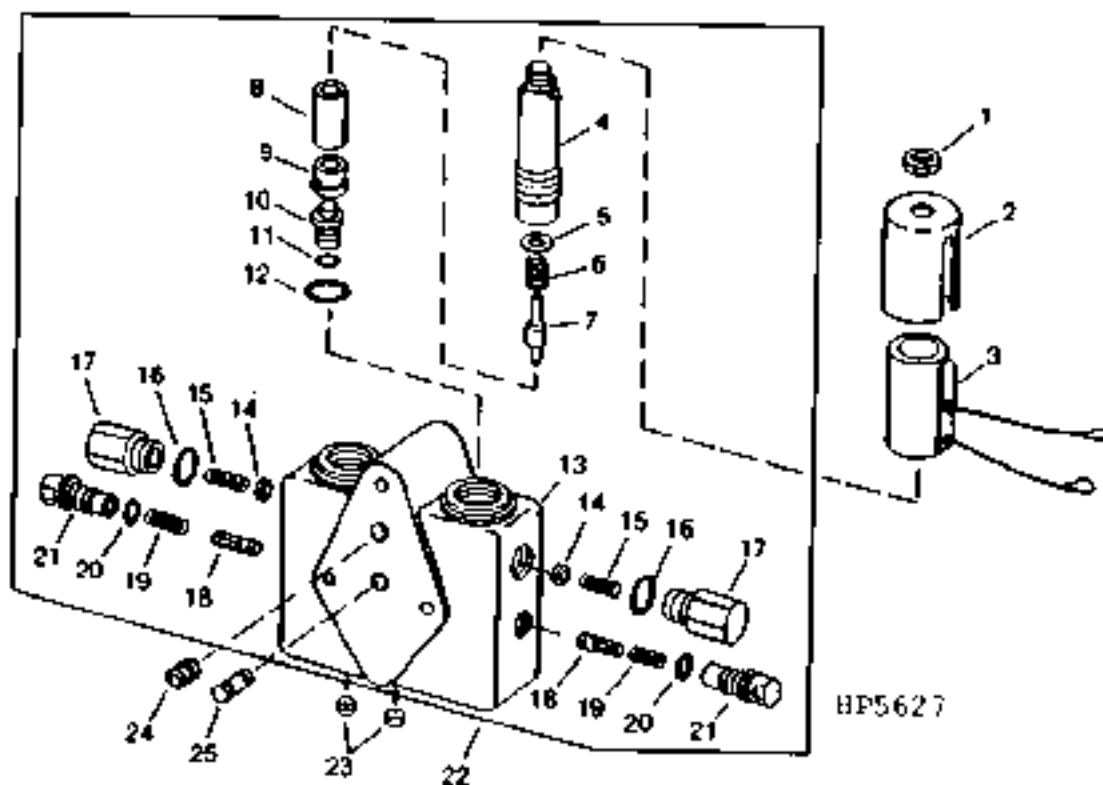
KEY	PART NO.	PART NAME	QTY	SERIAL NO.	REMARKS
1	A4655R	NUT	2		12.700 MM (1/2")
2	E62942	COVER	2		
3	AH124731	ELECTRICAL COIL	2		
4	.....	SLEEVE	2		(A)
5	.....	WASHER	2		(B)
6	E62089	SPRING	2		(B)
7	.....	POPPET	2		(B)
8	.....	ARMATURE	2		(A)
9	.....	SOLENOID	2		(A)
10	.....	ORIFICE	2		(B)
11	U40962	O-RING	2		6.071 X 1.778 MM (0.239" X 0.070") (B)
12	T75984	O-RING	2		20.345 X 1.778 MM (0.801" X 0.070")
13	.....	HOUSING	1		(NOT SERVICED) (SUB AH131461)
14	E62094	WASHER	2		7.620 X 17.526 X 2.388 MM (0.300" X 0.690" X 3/32")
15	E62093	SPRING	2	-650109	
	AE49003	KIT	2		
	R26906	O-RING	2		19.177 X 2.464 MM (0.755" X 0.097")
17	E62092	PIPE PLUG	2	-650109	
	AE49003	KIT	2		
18	AH131460	CHECK VALVE	2		
19	.....	SPRING	2		
20	U40745	O-RING	1		15.545 X 2.616 MM (0.612" X 0.103")
21	.....	CAP	1		
22	R26448	O-RING	1		11.887 X 1.981 MM (0.468" X 5/64")
23	.....	CAP	1		
24	AH147086	VALVE	1		(LESS COILS AND CONNECTING TUBES) (SUB FOR AH131461 OR AZ47075)
25	AH131405	SEAL	1		(WITH O-RING AND BACK-UP RING)
26	AH131326	SEAL	1		(WITH O-RING AND BACK-UP RING)
27	H135777	ORIFICE	2		0.76 MM DIA.
..	AZ51851	GUIDE	2		ARMATURE - INCS. PARTS MARKED (A) (SUB FOR AH139240)
..	AE37848	KIT	2		POPPET INCS PARTS MARKED (B)

MEMORANDA

# 3F19

## SOLENOID CONTROL VALVE FOR REEL FORE / AFT AND AUGER SWING

(650401- )  
HP5627 -UN-01JAN94





# 3F20

HYDRAULICS

**SOLENOID CONTROL VALVE FOR REEL FORE / AFT AND AUGER SWING - CONTINUED**

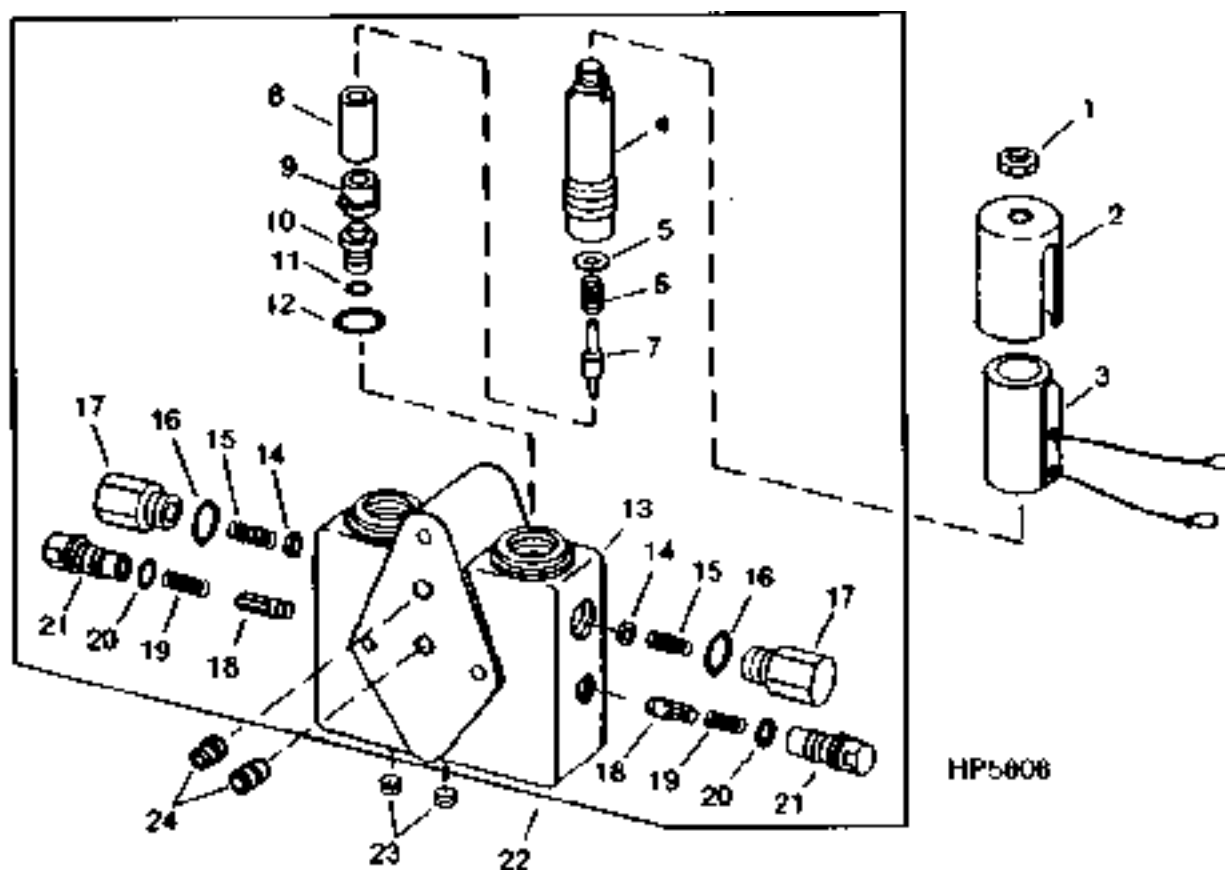
(650401- )

KEY	PART NO.	PART NAME	QTY	SERIAL NO.	REMARKS
1	A4655R	NUT	2		12.700 MM (1/2")
2	E62942	COVER	2		
3	AH124731	ELECTRICAL COIL	2		
4	.....	SLEEVE	2		(A) (A)
5	.....	WASHER	2		(B) (B)
6	.....	SPRING	2		(B) (B)
7	.....	POPPET	2		(B) (B)
8	.....	ARMATURE	2		(A) (A)
9	.....	SOLENOID	2		(A) (A)
10	.....	ORIFICE	2		(B) (B)
11	.....	O-RING	2		(B) (B)
12	.....	O-RING	2		
13	.....	HOUSING	1		(NOT SERVICED) (SUB AH131461) (SUB AZ47075 OR AH147086)
14	E62094	WASHER	2		7.620 X 17.526 X 2.388 MM (0.300" X 0.690" X 3/32")
15	.....	SPRING	2		(C)
16	.....	O-RING	2		(C)
17	.....	PIPE PLUG	2		(C)
18	.....	CHECK VALVE	2		(D)
19	.....	SPRING	2		(D)
20	.....	O-RING	2		(D)
21	.....	CAP	2		
22	AH147086	VALVE	1		(SUB FOR AZ47075)
23	H135777	ORIFICE	2		0.76 MM DIA.
24	AH131326	SEAL	2		(WITH O-RING AND BACK-UP RING)
25	AH131405	SEAL	1		(WITH O-RING AND BACK-UP RING)
..	AZ51851	GUIDE	2		(SUB FOR AH139240)
..	AE49777	POPPET	2		
..	AE49003	KIT	2		
..	AH142731	KIT	2		

# 3F21

## SOLENOID CONTROL VALVE FOR CONTOUR MASTER

(660401- )  
HP5808 -UN-14OCT94



HP5808

# 3F22

HYDRAULICS

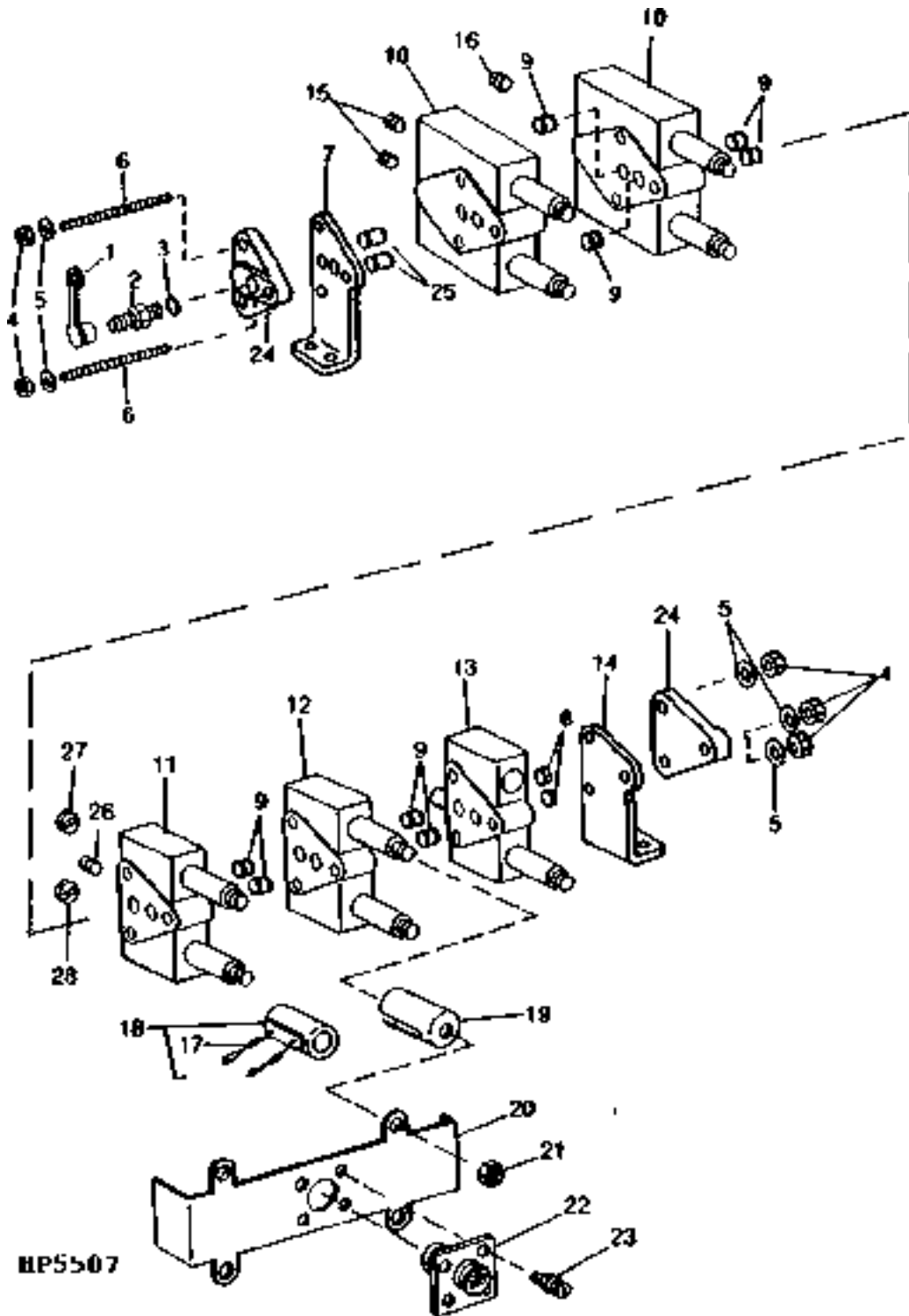
**SOLENOID CONTROL VALVE FOR CONTOUR MASTER - CONTINUED**  
(660401- )

KEY	PART NO.	PART NAME	QTY	SERIAL NO.	REMARKS
1	A4655R	NUT	2		12.700 MM (1/2")
2	E62942	COVER	2		
3	AH124731	ELECTRICAL COIL	2		
4	.....	SLEEVE	2		(A)
5	.....	WASHER	2		(A) (B)
6	E62089	SPRING	2		(A) (B)
7	.....	POPPET	2		(A) (B)
8	.....	ARMATURE	2		(A)
9	.....	SOLENOID	2		(A)
10	.....	ORIFICE	2		(A) (B)
11	U40962	O-RING	2		(B)
12	T75984	O-RING	2		(A)
13	.....	HOUSING	1		(USE AZ47075)
14	E62094	WASHER	2		7.620 X 17.526 X 2.388 MM (0.300" X 0.690" X 3/32")
15	.....	SPRING	2		(C)
16	R26906	O-RING	2		(C) 19.177 X 2.464 MM (0.755" X 0.097")
17	.....	PIPE PLUG	2		(C)
18	.....	CHECK VALVE	2		(D)
19	.....	SPRING	2		(D)
20	U40745	O-RING	2		(D) 15.545 X 2.616 MM (0.612" X 0.103")
21	.....	CAP	2		
22	AH147086	VALVE	1		(SUB FOR AZ47075)
23	H149804	ORIFICE	2		
24	AH131326	SEAL	2		(WITH O-RING AND BACK-UP RING)
..	AZ51851	GUIDE	2		(SUB FOR AH139240) ARMATURE (INCLUDES PARTS MARKED (A))
..	AE49777	POPPET	2		POPPET (INCLUDES PARTS MARKED (B))
..	AE49003	KIT	2		SPRING KIT (INCLUDES PARTS MARKED (C))
..	AH142731	KIT	2		CHECK VALVE KIT (INCLUDES PARTS MARKED (D))

# 3F23

## SOLENOID CONTROL VALVE MODULE ASSEMBLY AND MOUNTINGS

HP5507 -UN-01JAN94



# 3F24

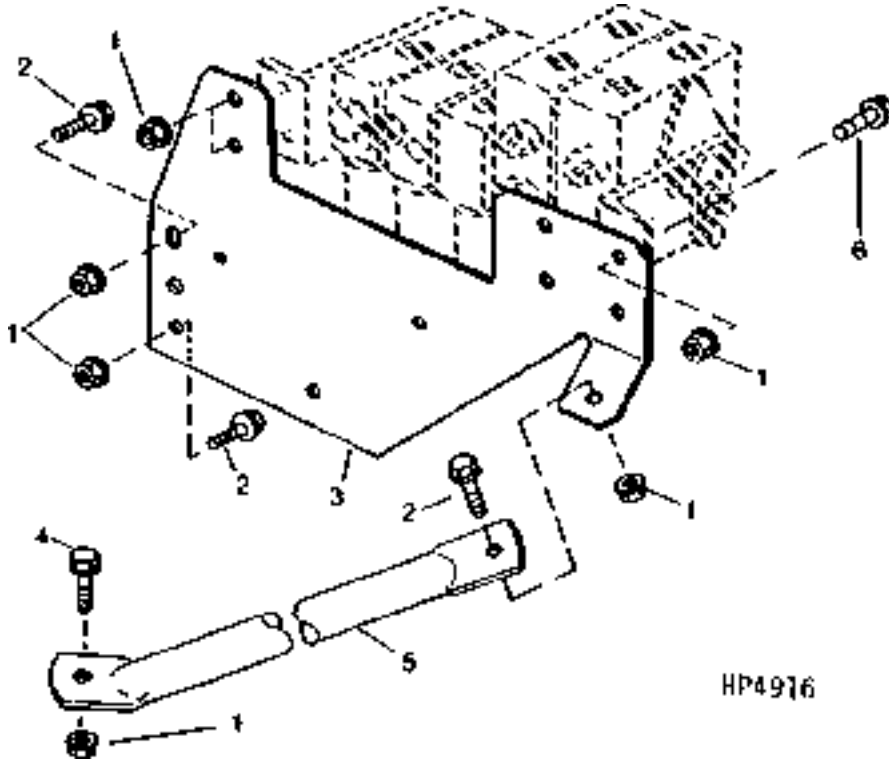
HYDRAULICS

## SOLENOID CONTROL VALVE MODULE ASSEMBLY AND MOUNTINGS - CONTINUED

KEY	PART NO.	PART NAME	QTY	SERIAL NO.	REMARKS
1	R77175	COVER	1		
2	AH125760	HYD. QUICK-CONNECT COUPLER	1		
3	R26448	O-RING	1		11.887 X 1.981 MM (0.468" X 5/64")
4	14H786	NUT	6		1/4"
5	12H297	LOCK WASHER	6		1/4"
6	E62892	STUD	3		1/4" X 11-3/4" 1/4" X 11-3/4" (CUT TO LENGTH)
7	H135897	BRACKET	1		(USE WITH H139515 AND (2) AH134733)
8	AH131405	SEAL	3		
9	AH131326	SEAL	AR		(WITH 5 MODULES-USE 9; WITH 4 MODULES-USE 7)
10	AH131461	SOLENOID VALVE	AR	-650400	(2 MODULES-AUGER SWING AND REEL FORE/AFT; 1 MODULE-AUGER SWING) (SUB AZ47075)
	AH147086	VALVE	AR		(SUB FOR AZ47075)
11	AH139060	VALVE	1		(REEL LIFT/CYLINDER SPEED) (USE WITH E62917 AND H145051 AND H145052 AND (2) 38H1309)
12	AH147084	VALVE	1		(SUB FOR AH131404 OR AH142450) (CONTOUR MASTER)
13	AH147097	VALVE	1		(SUB FOR AH131327) UNLOAD (RELIEF) (CONTOUR MASTER)
14	H139512	BRACKET	1		(USE WITH H139515)
15	H135777	ORIFICE	2		0.76MM DIA.
16	H135776	ORIFICE	1		1.06MM DIA.
17	R77464	PIN CONTACT	AR		(PACKAGE OF 50)
18	AH124731	ELECTRICAL COIL	AR		(WITH 5 MODULES-USE 9; WITH 4 MODULES-USE 7)
19	E62942	COVER	AR		(WITH 5 MODULES-USE 9; WITH 4 MODULES-USE 7)
20	H135898	COVER	1		
21	A4655R	NUT	AR		(WITH 5 MODULES-USE 9; WITH 4 MODULES-USE 7)
22	57M7199	PIN CONTACT	1		(24 WAY)
23	21H1290	SCREW	4		0.138" X 1/2"
	14H1026	NUT	4		0.138"
24	H139515	MANIFOLD	2		
25	AH134733	SEAL	2		
26	E62917	ORIFICE	1		.508 MM DIA.
27	H145052	APERTURE	1		.406 MM DIA.
28	H145051	APERTURE	1		.940 MM DIA.

# 3F25

**SOLENOID CONTROL VALVE BRACKETS**  
HP4916 -UN-01JAN94



KEY	PART NO.	PART NAME	QTY	SERIAL NO.	REMARKS
1	14M7298	FLANGE NUT	8	M8	
2	19M7866	SCREW	3	M8 X 20	
3	H166148	BRACKET	1	(SUB FOR H132853 OR H159291)	
4	19M7803	SCREW	1	M8 X 70	
5	H146535	SUPPORT	1	-29SEP7	
	H158638	BRACE	1	29SEP7-	
6	19M7897	SCREW	4	M8 X 35	
..	<b>BH80538</b>	<b>COMPLETE GOODS/SHIP. BUNDLE</b>	1		<b>CLEANING FAN SHIELDING, NARROW</b>

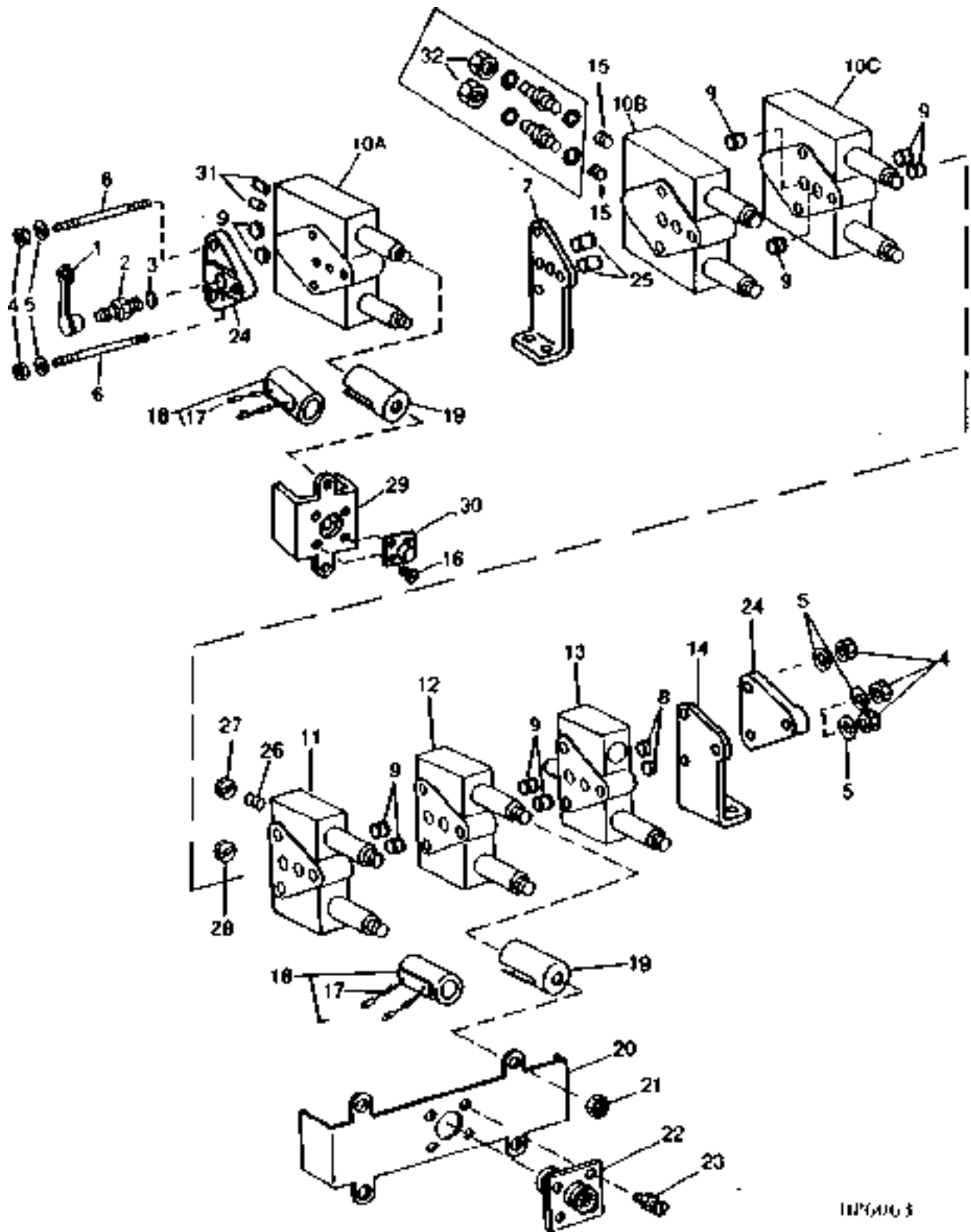
MEMORANDA

# 3G1

HYDRAULICS

## SIX STACK SOLENOID CONTROL VALVE MODULE ASSEMBLY AND MOUNTINGS

(660401- )  
HP6063 -UN-27APR95



HP6063



## SIX STACK SOLENOID CONTROL VALVE MODULE ASSEMBLY AND MOUNTINGS - CONTINUED

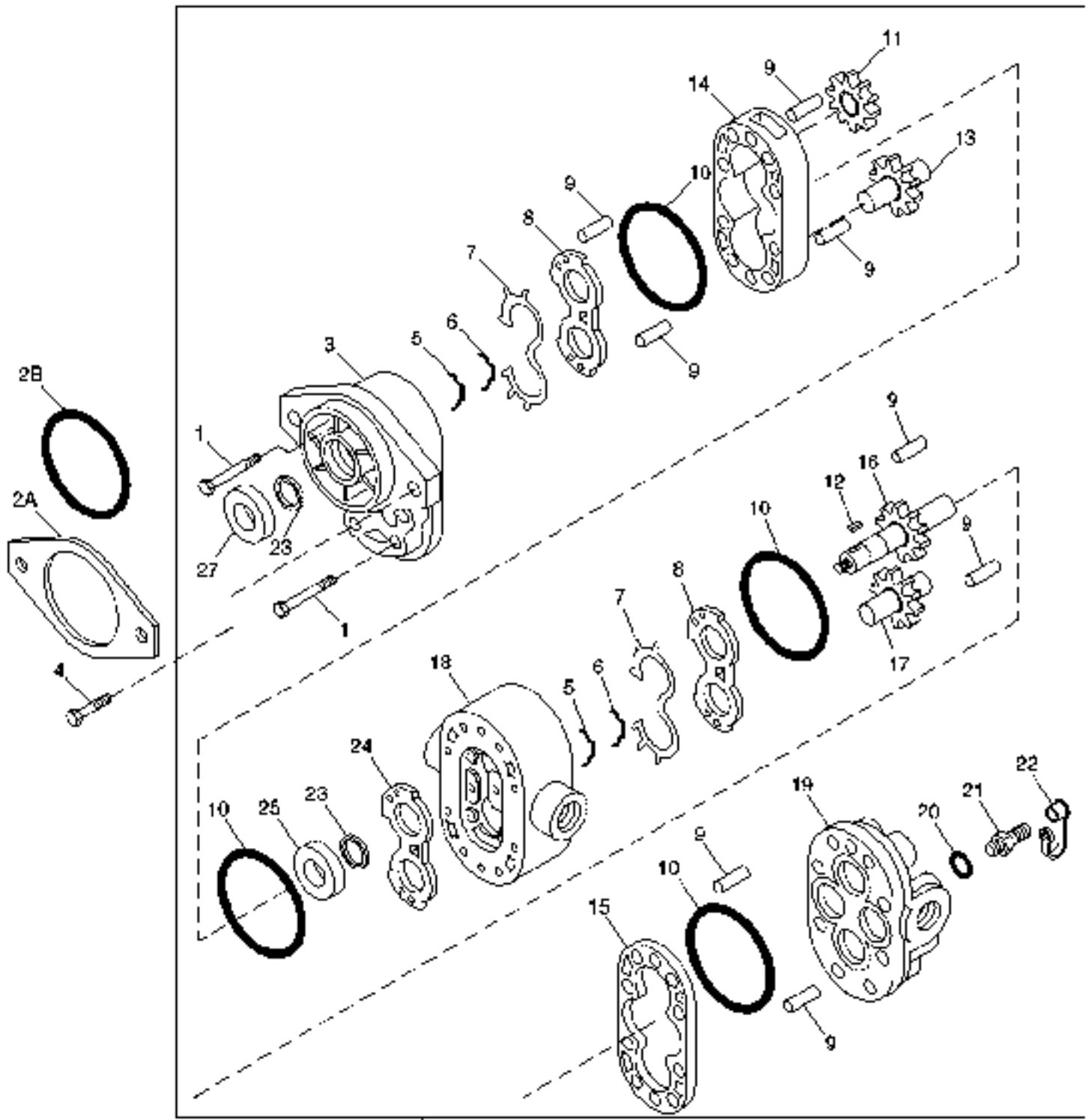
(660401- )

KEY	PART NO.	PART NAME	QTY	SERIAL NO.	REMARKS
1	R77175	COVER	1		
2	AH125760	HYD. QUICK-CONNECT COUPLER	1		
3	R26448	O-RING	1		
4	14H786	NUT	6	6.350 MM (1/4")	
5	12H297	LOCK WASHER	6	6.350 MM (1/4")	
6	H149803	TIE ROD	3	1/4" X 13-1/2" (CUT TO LENGTH)	
7	H139513	BRACKET	1	(USE WITH H139515 AND (2) AH134733)	
8	AH131405	SEAL	2		
9	AH131326	SEAL	10		
10A	AH147086	VALVE	1	(SUB FOR AZ47075) CONTOUR MASTER	
10B	AH147086	VALVE	1	(SUB FOR AZ47075) REEL FORE/AFT	
10C	AH147086	VALVE	1	(SUB FOR AZ47075) AUGER SWING	
11	AH139060	VALVE	1	(USE WITH E62917, H145051, H145052 AND (2) 38H1160) REEL LIFT/CYLINDER SPEED	
12	AH147084	VALVE	1	(SUB FOR AH142450) (HEADER LIFT) (CONTOUR MASTER)	
13	AH147097	VALVE	1	(SUB FOR AH131327) UNLOAD (RELIEF) (CONTOUR MASTER)	
14	H139512	BRACKET	1	(USE WITH H139515)	
15	H135777	ORIFICE	2	0.76 MM DIA.	
16	M71770	SCREW	4		
17	R77464	PIN CONTACT	AR	(PKG. OF 50)	
18	AH124731	ELECTRICAL COIL	11		
19	E62942	COVER	11		
20	H135898	COVER	1		
21	A4655R	NUT	11		
22	57M7199	RECEPTACLE	1	(24 WAY)	
23	21H1290	SCREW	4	3.505 X 12.700 MM (0.138" X 1/2")	
	14H1026	NUT	4	3.505 MM (0.138")	
24	H139515	MANIFOLD	2		
25	AH134733	SEAL	2		
26	E62917	ORIFICE	1	0.508 MM DIA.	
27	H145052	APERTURE	1	0.406 MM DIA.	
28	H145051	APERTURE	1	0.940 MM DIA.	
29	H150062	COVER	1		
30	.....	RECEPTACLE	1	(4 PIN CONNECTOR)	
31	H149804	ORIFICE	2	1.19 MM DIA.	
32	38H1415	FITTING PLUG	2	(W/CONTOUR MASTER) (W/O REEL FORE/AFT)	

# 3G3

HYDRAULICS

MAIN HYDRAULIC PUMP  
HP9204 -UN-25OCT99

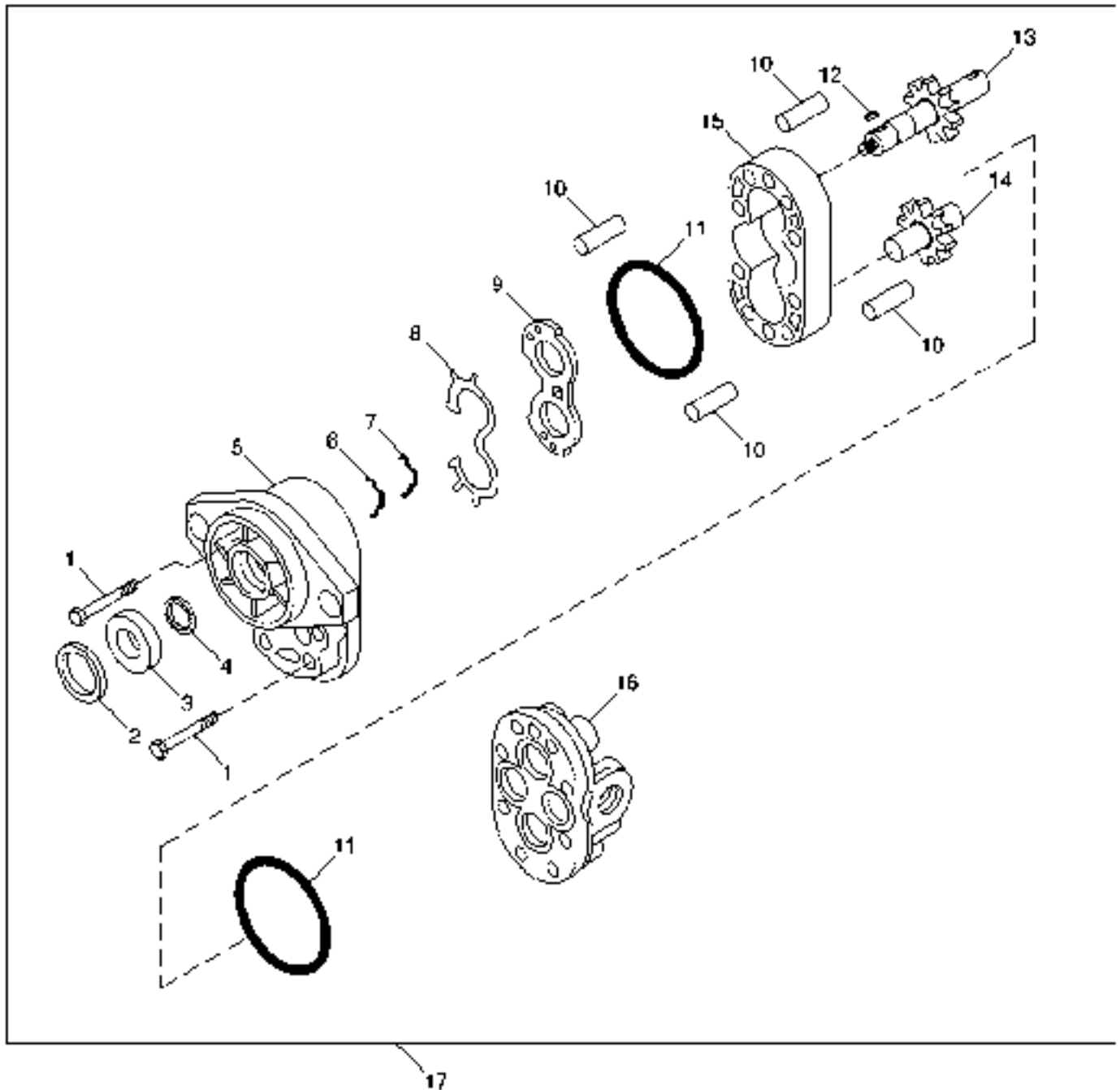


HP9204

**MAIN HYDRAULIC PUMP - CONTINUED**

KEY	PART NO.	PART NAME	QTY	SERIAL NO.	REMARKS
1	GG310-30411 H135569	SCREW CAP SCREW	8 8		7.925 X 133.350 MM (5/16" X 5-1/4") (PLANETARY FINAL DRIVE)
2A	H131121	GASKET	1	-670000	
2B	E65288	O-RING	1	670001-	
3	.....	PLATE	1		
4	19H1732 12H304	CAP SCREW LOCK WASHER	2 2		3/8" X 1-1/4" 3/8"
5	.....	SEAL	2		(A)
6	.....	GASKET	2		(A)
7	.....	GASKET	2		(A)
8	.....	WEAR PLATE	2		(A)
9	H116213	DOWEL PIN	8		
10	H80821	O-RING	4		(A) 75.921 X 1.778 MM (2.989" X 0.070")
11	.....	PARALLEL SHAFT GEAR DRIVE	1		
12	H125929 H135566	SHAFT KEY KEY	1 1		(PLANETARY FINAL DRIVE)
13	.....	GEAR	1		
14	.....	HOUSING	1		
15	.....	LINK BODY	1		
16	.....	GEAR	1		
17	.....	GEAR	1		
18	.....	PLATE	1		
19	.....	PLATE	1		
20	R26448	O-RING	1		(A) 11.887 X 1.981 MM (0.468" X 5/64")
21	AH125760	HYD. QUICK-CONNECT COUPLER	1		
22	R77175	COVER	1		
23	M48869	WASHER	2		(A) 19.215 X 25.337 X 0.813 MM (0.757" X 0.998" X 0.032")
24	.....	PLATE	1		(A)
25	.....	SEAL	1		(A)
26	AH131183	HYDRAULIC PUMP	1		(CESSNA NO. R25380 - RAG)- REMANUFACTURED
27	.....	SEAL	1		(A)
..	AH162145	SEAL KIT	1		(SUB FOR AH131181) INCLUDES PARTS MARKED (A)

REEL / BELT PICKUP DRIVE PUMP  
HP8488 -UN-20APR99



HP8488

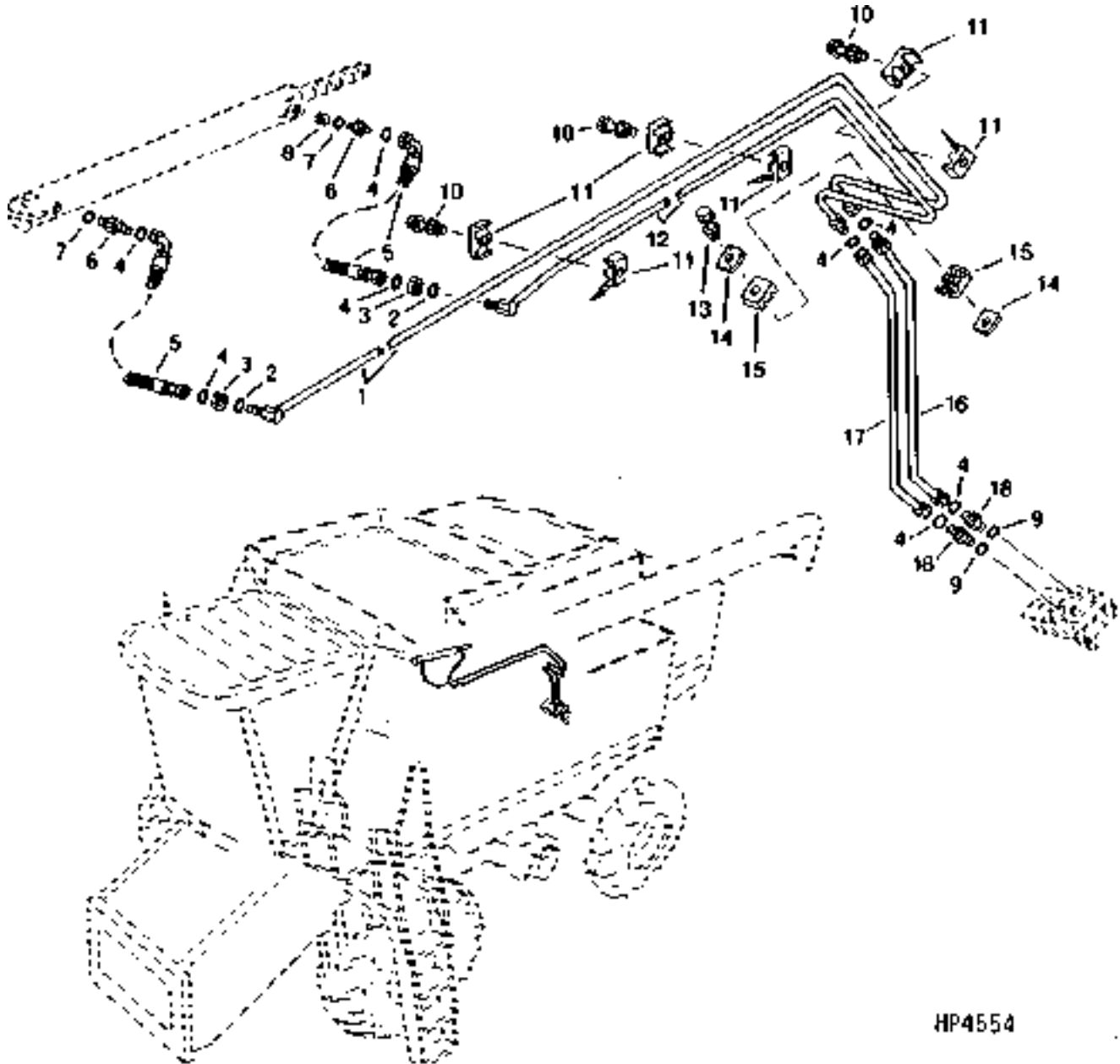
# 3G6

HYDRAULICS

REEL / BELT PICKUP DRIVE PUMP - CONTINUED

KEY	PART NO.	PART NAME	QTY	SERIAL NO.	REMARKS
1	E61791	BOLT	8	7.925 X 69.850 MM (5/16" X 2-3/4")	
2	M41029	SNAP RING	1	(A)	
3	AH131842	SEAL	1	(A)	
4	M48869	WASHER	1	(A) 19.215 X 25.337 X 0.813 MM (0.757" X 0.998" X 0.032") (KIT AH131176)	
5	.....	PLATE	1	(ORDER AH131178)	
6	.....	SEAL	1	(A)	
7	.....	GASKET	1	(A)	
8	.....	GASKET	1	(A)	
9	.....	WEAR PLATE	1	(A)	
10	H116213	DOWEL PIN	4		
11	H80821	O-RING	2	(A) 75.921 X 1.778 MM (2.989" X 0.070")	
12	N34986	SHAFT KEY	1		
13	AH131304	SHAFT	1		
14	.....	GEAR	1	(ORDER AH131178)	
15	.....	HOUSING	1	(ORDER AH131178)	
16	.....	PLATE	1	(ORDER AH131178)	
17	AH131178	HYDRAULIC PUMP	1	(CESSNA NO. R25305-RAK) - REMANUFACTURED	
..	AH131176	SEAL KIT	1	(INCLUDES PARTS MARKED (A))	

**UNLOADING AUGER SWING CYLINDER LINES AND HOSES**  
HP4554 -UN-01JAN94



HP4554

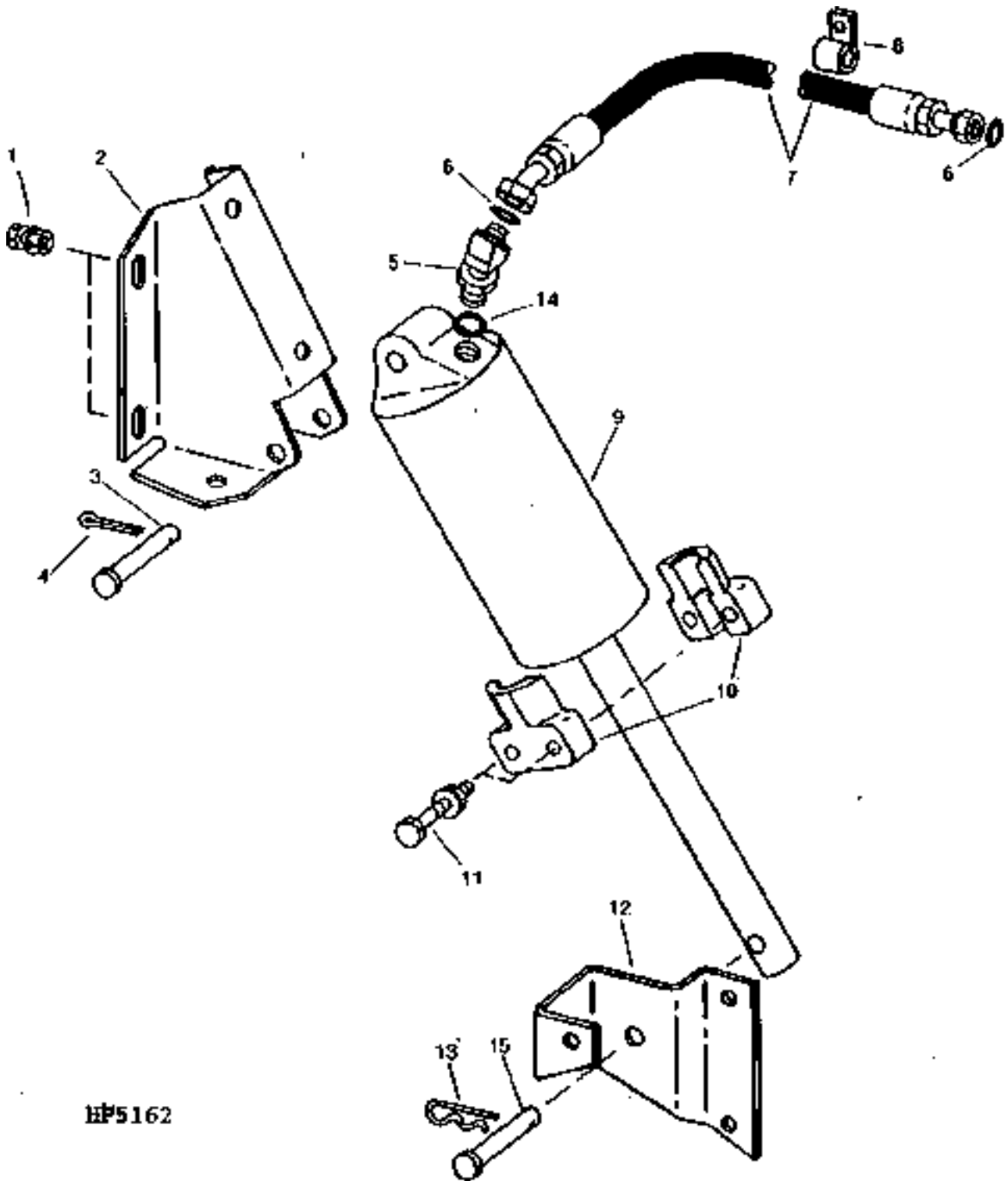
## UNLOADING AUGER SWING CYLINDER LINES AND HOSES - CONTINUED

KEY	PART NO.	PART NAME	QTY	SERIAL NO.	REMARKS
1	AH128641	HYDRAULIC LINE	1		(EXTEND)
2	24M7114	WASHER	2		19 X 30 X 4 MM
3	T81029	NUT	2		17.475 MM (11/16")
4	T77613	O-RING	8		9.246 X 1.778 MM (0.364" X 0.070")
5	AH130581	HYDRAULIC HOSE	2		11/16" X 780 MM (30-3/4") X 11/16"
6	38H1160	ADAPTER	2		
7	R26448	O-RING	2		11.887 X 1.981 MM (0.468" X 5/64")
8	H133470	ORIFICE	1		
9	R26375	O-RING	2		16.358 X 2.210 MM (0.644" X 0.087")
10	19M7868	SCREW	3		M8 X 30
	14M7298	FLANGE NUT	3		M8
11	H108745	CLAMP	3		
12	AH128642	HYDRAULIC LINE	1		(RETRACT)
13	19M8291	SCREW	1		M8 X 35
	14M7298	FLANGE NUT	1		M8
14	H121163	COVER	2		
15	H128515	CLAMP	2		
16	AH128855	HYDRAULIC LINE	1		(EXTEND)
17	AH128854	HYDRAULIC LINE	1		(RETRACT)
18	38H1171	ADAPTER	2		

# 3G9

## GRAIN TANK UNLOADING DRIVE CYLINDER WITH MOUNTING AND HOSE

HP5162 -UN-01JAN94



HP5162



# 3G10

HYDRAULICS

## GRAIN TANK UNLOADING DRIVE CYLINDER WITH MOUNTING AND HOSE - CONTINUED

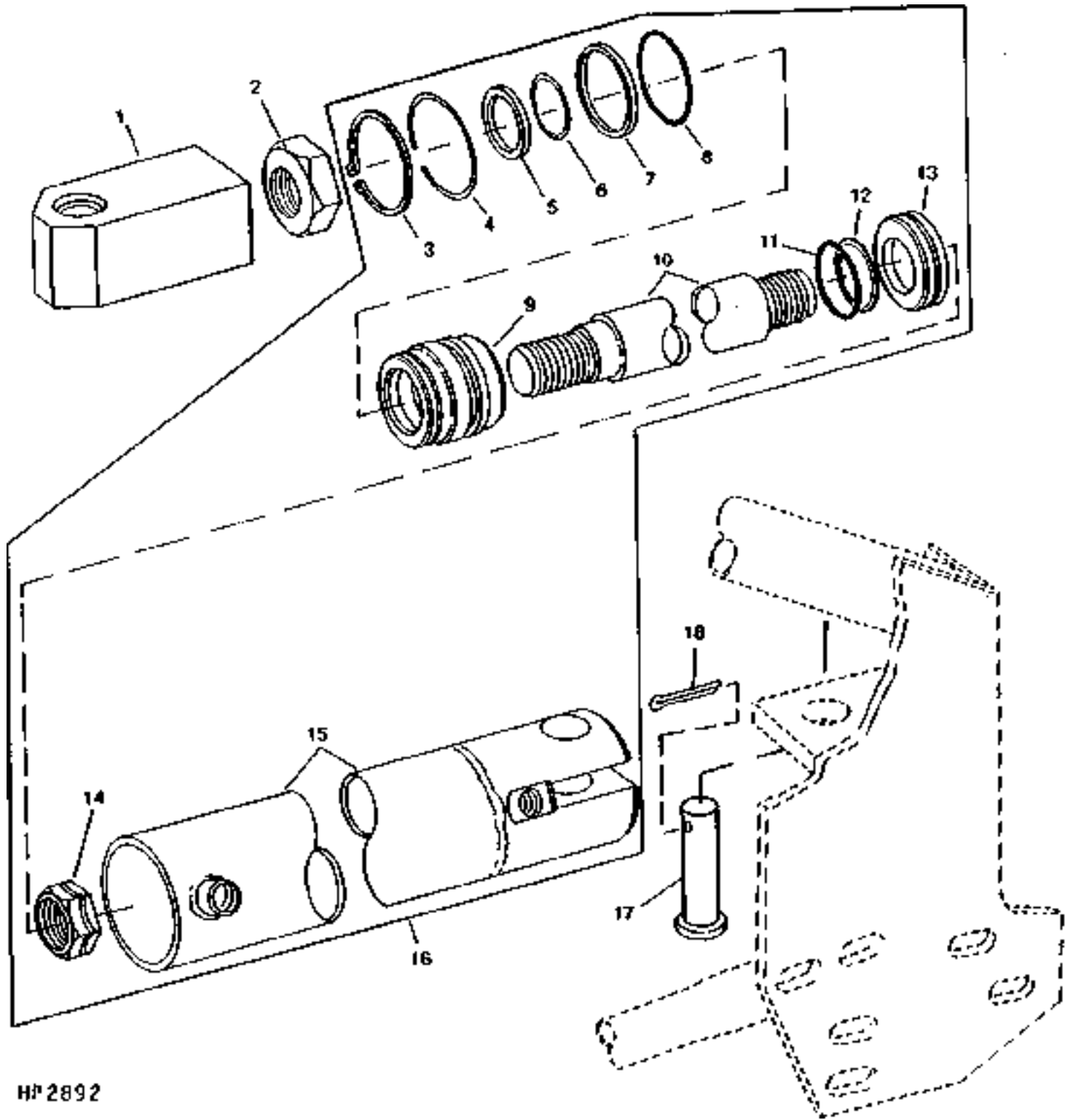
KEY	PART NO.	PART NAME	QTY	SERIAL NO.	REMARKS
1	19M7866	SCREW	4		M8 X 20
	14M7298	FLANGE NUT	4		M8
2	H129588	BRACKET	1		
3	H98765	PIN	2	-645685	12.700 X 60.500 MM (1/2" X 2.382")
	H148340	PIN	1	645686-	
4	11M7059	COTTER PIN	1		3.200 X 20 MM
5	38H1045	ELBOW FITTING	1		
6	T77613	O-RING	2		9.246 X 1.778 MM (0.364" X 0.070")
7	AH120160	HYDRAULIC HOSE	1		11/16" X 1 050 MM (41-1/4") X 11/16"
8	AH96317	CLIP	1		(SUB FOR AH89486)
9	AH116006	HYDRAULIC CYLINDER	1		
10	H133688	STOP	2		
11	19M8319	SCREW	2		M8 X 50
	14M7298	FLANGE NUT	2		M8
12	H133690	BRACKET	1		
13	J16931	SPRING LOCKING PIN	1		
14	R26448	O-RING	1		11.887 X 1.981 MM (0.468" X 5/64")
15	H148340	PIN	1	645686-	

# 3G11

## UNLOADING AUGER SWING CYLINDER AND MOUNTING

(-650400)

HP2892 -UN-01JAN94



HP 2892

# 3G12

HYDRAULICS

**UNLOADING AUGER SWING CYLINDER AND MOUNTING - CONTINUED**  
**( -650400)**

KEY	PART NO.	PART NAME	QTY	SERIAL NO.	REMARKS
1	H137225	END	1		
2	W13288	NUT	1	28.575 MM (1-1/8")	
3	.....	RING	1	(A)	
4	.....	SNAP RING	1	(A)	
5	.....	SEAL	1	(A)	
6	.....	SEAL	1	(A)	
7	.....	WASHER	1	(A)	
8	.....	O-RING	1	(A)	
9	.....	BEARING	1		
10	H135154	ROD	1		
11	.....	O-RING	1	(A)	
12	.....	RING	1	(A)	
13	.....	PISTON	1		
14	.....	LOCK NUT	1		
15	.....	HYDRAULIC CYLINDER BARREL	1		
16	AH132210	HYDRAULIC CYLINDER	1	-650400	(SUB AH142164, H148375 AND H148376)
	AH142164	HYDRAULIC CYLINDER	1		
17	R56930	PIN	1		18.948 X 69.850 MM (0.746" X 2-3/4")
18	11H218	COTTER PIN	1	-650400	3/16" X 1-1/2", (SUB 11M7030)
	11M7030	COTTER PIN	1		5 X 40 MM
..	AH129245	HYDRAULIC CYLINDER KIT	1		INCLUDES PARTS MARKED (A)

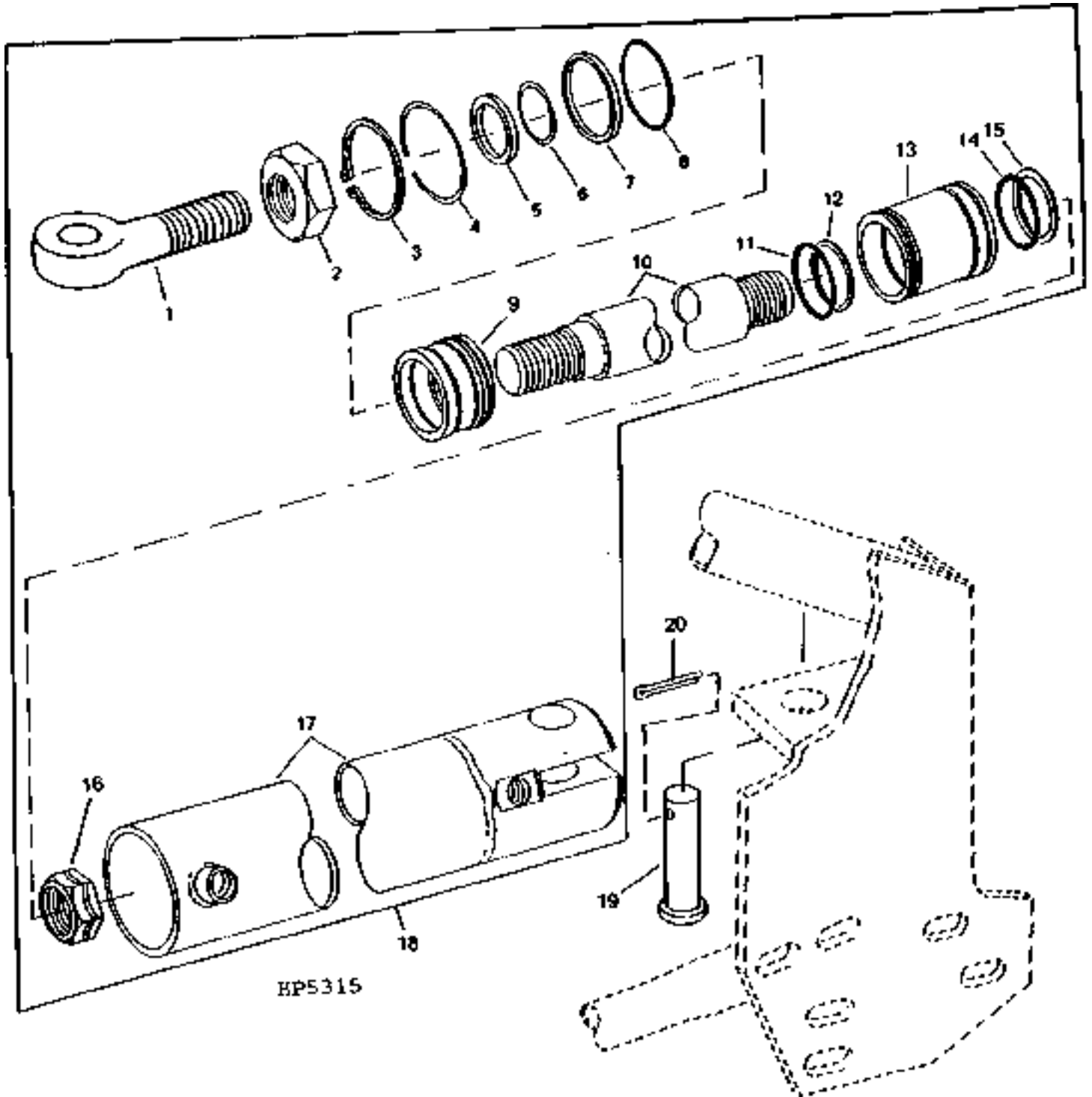
# 3G13

HYDRAULICS

## UNLOADING AUGER SWING CYLINDER AND MOUNTING

(650401-655551)

HP5315 -UN-01JAN94



# 3G14

HYDRAULICS

**UNLOADING AUGER SWING CYLINDER AND MOUNTING - CONTINUED**  
**(650401-655551)**

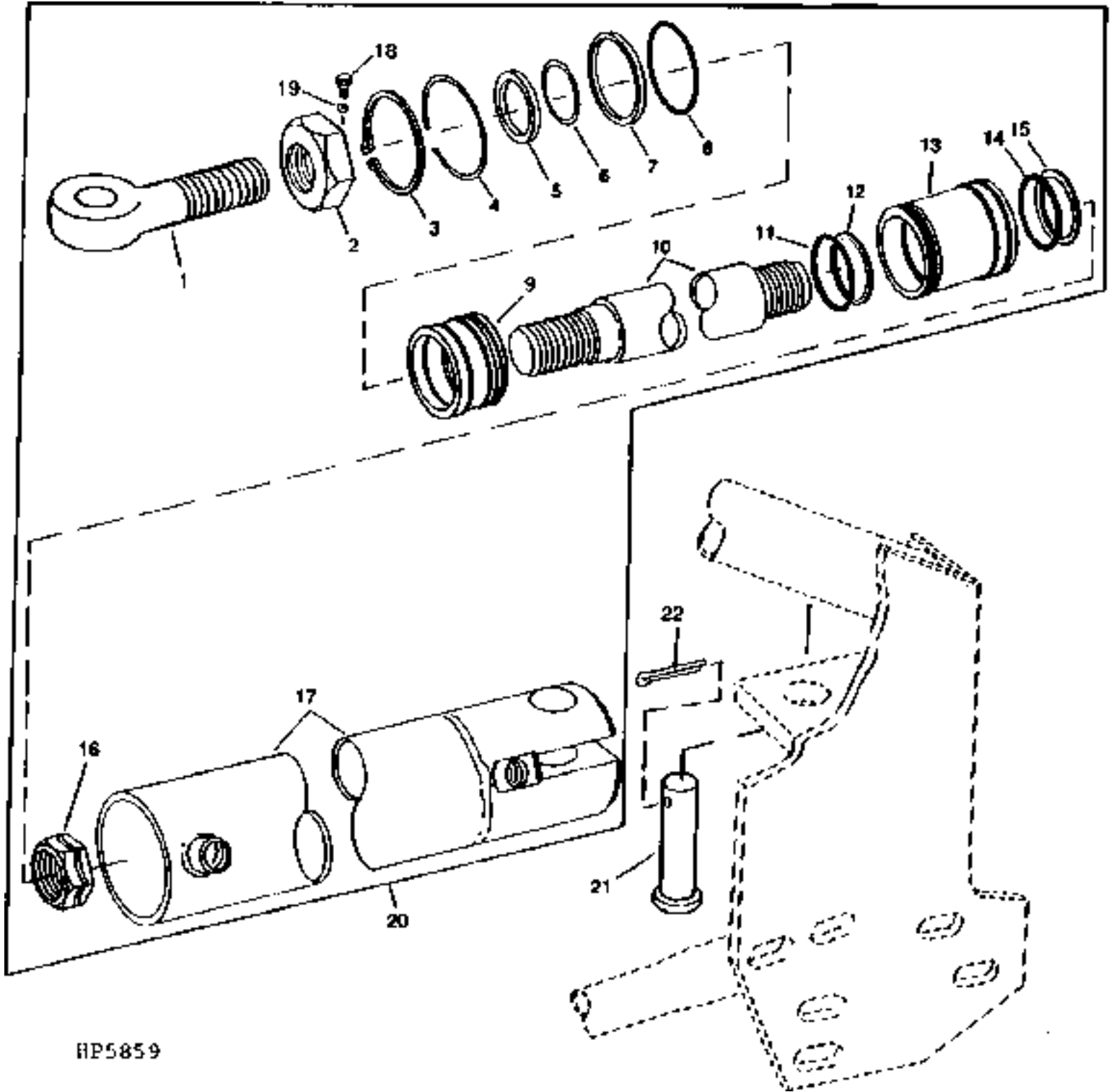
KEY	PART NO.	PART NAME	QTY	SERIAL NO.	REMARKS
1	H148376	EYEBOLT	1		
2	H148375	LOCK NUT	1	19.050 MM (3/4")	
3	.....	RING	1	(A)	
4	.....	SNAP RING	1	(A)	
5	.....	SEAL	1	(A)	
6	.....	SEAL	1	(A)	
7	.....	WASHER	1	(A)	
8	.....	O-RING	1	(A)	
9	.....	BEARING	1		
10	H148342	ROD	1		
11	.....	O-RING	1	(A)	
12	.....	RING	1	(A)	
13	.....	PISTON	1		
14	.....	WASHER	1		
15	.....	O-RING	1		
16	.....	LOCK NUT	1		
17	.....	HYDRAULIC CYLINDER BARREL	1		
18	AH142164	HYDRAULIC CYLINDER	1	(SUB AH145030)	
19	R56930	PIN	1	18.948 X 69.850 MM (0.746" X 2-3/4")	
20	11M7030	COTTER PIN	1	5 X 40 MM	
..	AH146043	KIT	1	(SUB FOR AH142108) INCLUDES PARTS MARKED (A)	

# 3G15

HYDRAULICS

## UNLOADING AUGER SWING CYLINDER AND MOUNTING

(655552- )  
HP5859 -UN-14OCT94



HP5859

# 3G16

HYDRAULICS

**UNLOADING AUGER SWING CYLINDER AND MOUNTING - CONTINUED**  
(655552- )

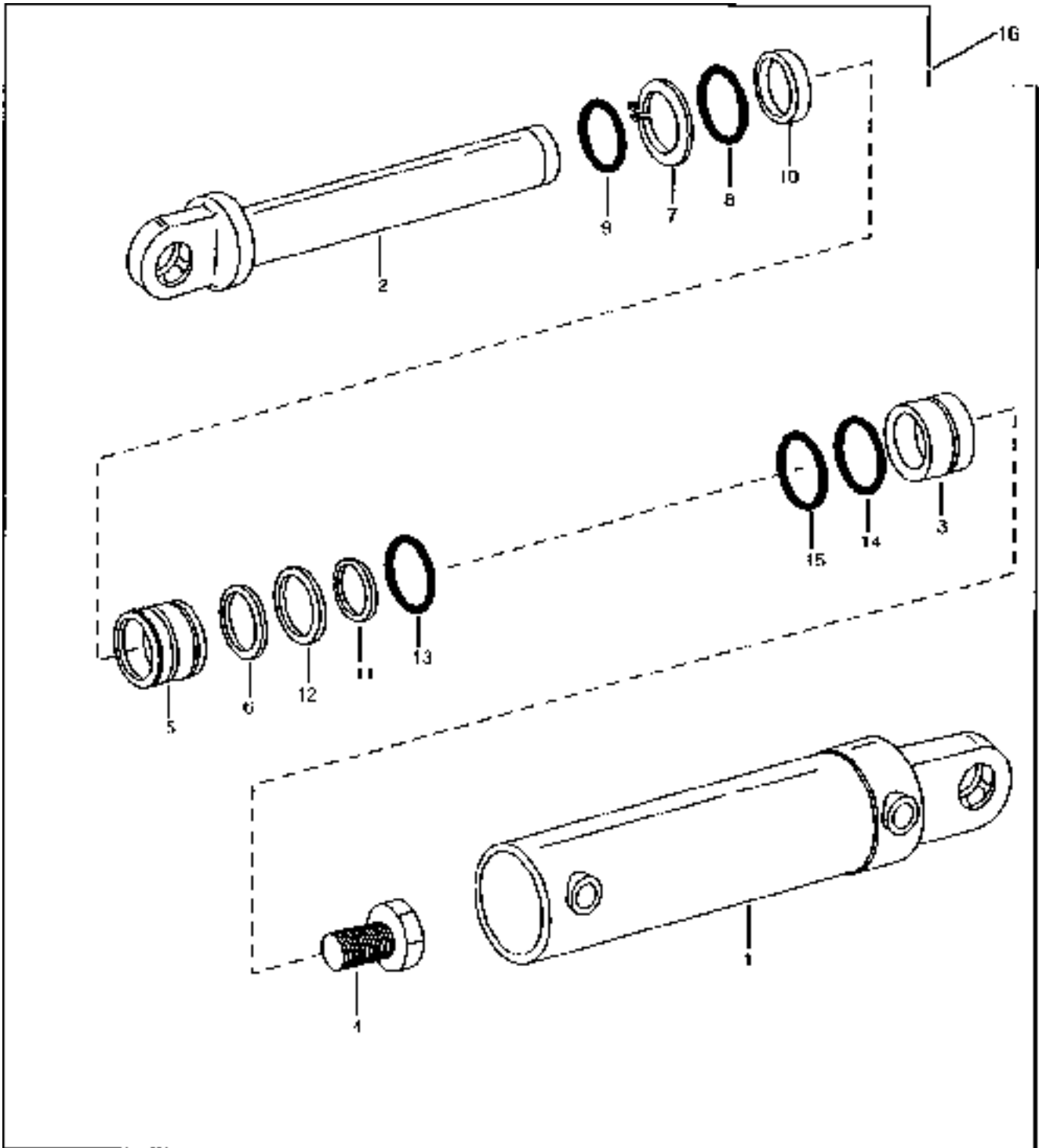
KEY	PART NO.	PART NAME	QTY	SERIAL NO.	REMARKS
1	H150926	EYEBOLT	1		
2	14H904	NUT	1	19.050 MM (3/4")	
3	.....	RING	1	(A)	
4	.....	SNAP RING	1	(A)	
5	.....	SEAL	1	(A)	
6	.....	SEAL	1	(A)	
7	.....	WASHER	1	(A)	
8	.....	O-RING	1	(A)	
9	.....	BEARING	1	(KIT AH146043)	
10	H150920	ROD	1		
11	.....	O-RING	1	(A)	
12	.....	RING	1	(A)	
13	.....	PISTON	1	(KIT AH145030)	
14	.....	WASHER	1	(KIT AH145030)	
15	.....	O-RING	1	(KIT AH145030)	
16	.....	LOCK NUT	1	(KIT AH145030)	
17	.....	HYDRAULIC CYLINDER BARREL	1	(KIT AH145030)	
18	22H897	SET SCREW	1	6.350 X 6.350 MM (1/4" X 1/4")	
19	L36230	BALL	1	4.500 MM (0.177")	
20	AH145030	HYDRAULIC CYLINDER	1		
21	R56930	PIN	1		
22	11H218	COTTER PIN	1		
..	AH146043	KIT	1		SEAL KIT (INCLUDES PARTS MARKED (A))

# 3G17

HYDRAULICS

## TILT CYLINDER - CONTOUR MASTER

(660401- )  
HP5972 -UN-26JUN95



HP5972



# 3G18

HYDRAULICS

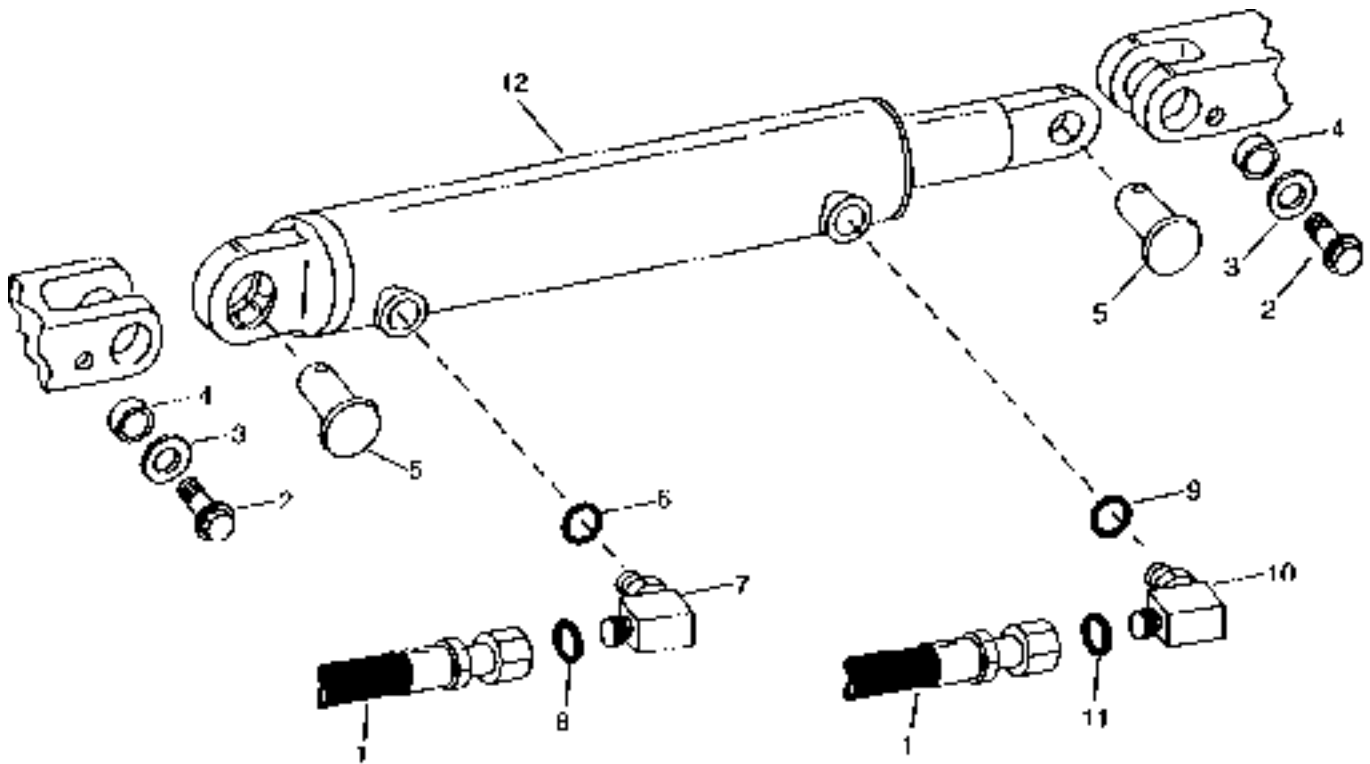
**TILT CYLINDER - CONTOUR MASTER - CONTINUED**  
**(660401- )**

KEY	PART NO.	PART NAME	QTY	SERIAL NO.	REMARKS
1	AH144480	HYDRAULIC CYLINDER BARREL	1		
2	AH144482	ROD	1		
3	AH138200	PISTON	1		INCLUDES SEAL RING AND O-RING
4	19H2672	CAP SCREW	1		15.875 X 50.800 MM (5/8" X 2")
5	H151694	HYDR. CYLINDER ROD GUIDE	1		
6	R82571	SNAP RING	1		
7	R90565	SNAP RING	1		
8	R91726	BACK-UP RING	1	(A)	
9	T22828	O-RING	1	(A)	
10	.....	SEAL	1	(A)	
11	H151629	WEAR RING	1	-660525	(A) (SUB AH144483)
12	R79117	WASHER	1	(A)	
13	R94418	O-RING	1	(A)	
14	H144342	PISTON RING	1	(A)	
15	.....	O-RING	1	(A)	
16	AH143322	HYDRAULIC CYLINDER	1		
..	AH167553	HYDRAULIC CYLINDER KIT	1		SEAL REPAIR (INCLUDES PARTS MARKED (A))

# 3G19

## TILT CYLINDER HOSES AND FITTINGS - CONTOUR MASTER

(660401- )  
HP5950 -UN-01MAY95



HP5950

# 3G20

HYDRAULICS

TILT CYLINDER HOSES AND FITTINGS - CONTOUR MASTER - CONTINUED

(660401- )

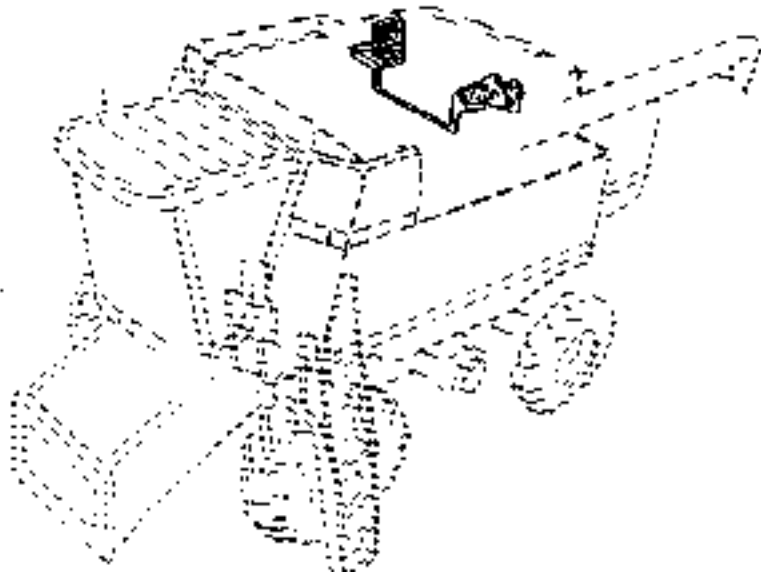
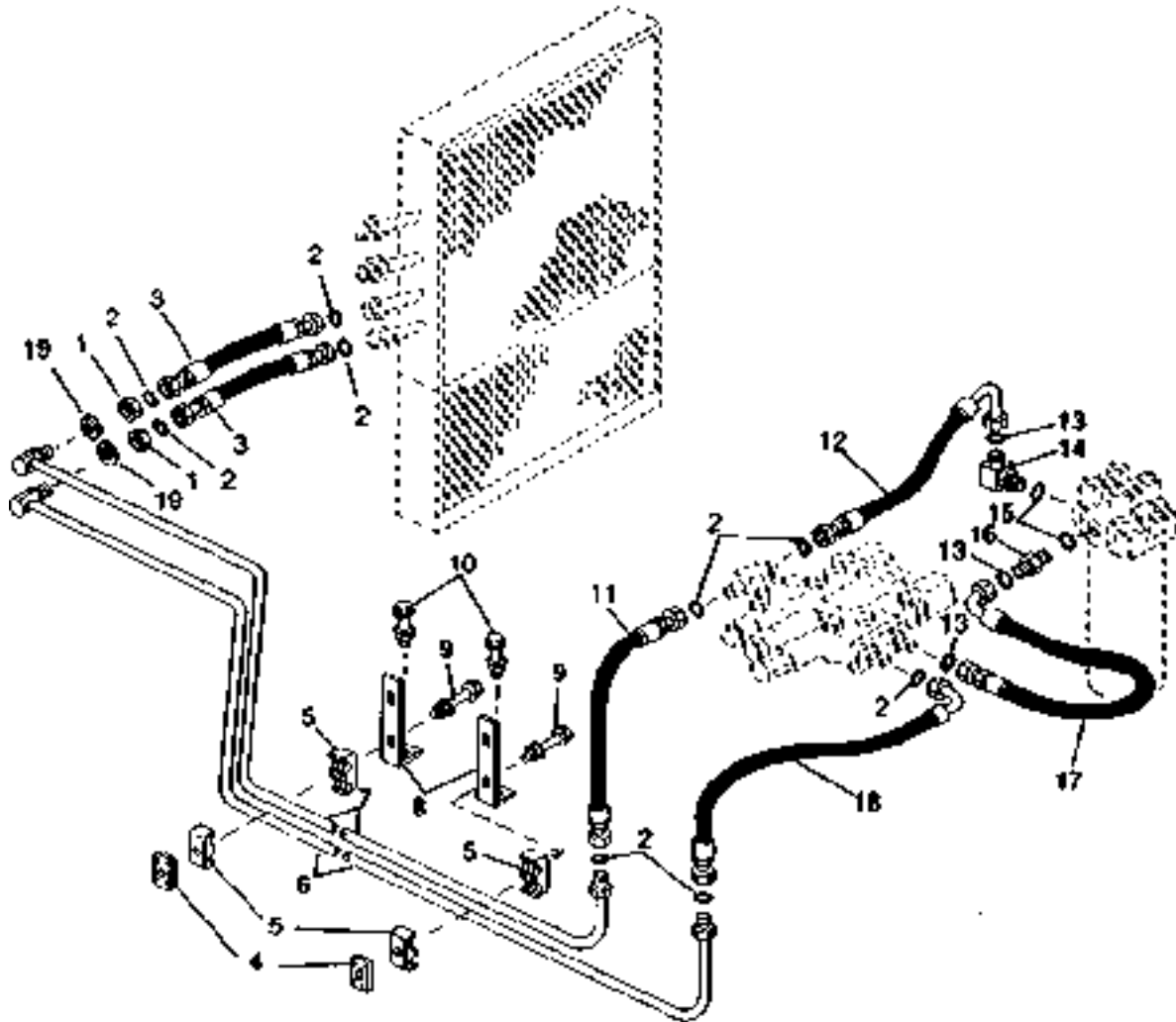
KEY	PART NO.	PART NAME	QTY	SERIAL NO.	REMARKS
1	AH143682	HYDRAULIC HOSE	2		
2	19M7866	SCREW	2		M8 X 20
3	24H1291	WASHER	2		8.331 X 37.313 X 2.769 MM (21/64" X 1-15/32" X 7/64")
4	28H1511	WASHER	2		9.246 X 13.716 X 6.350 MM (0.364" X 0.540" X 1/4")
5	R56930	PIN	2		18.948 X 69.850 MM (0.746" X 2-3/4")
6	R28782	O-RING	1		8.915 X 1.829 MM (0.351" X 0.072")
7	38H1093	ELBOW FITTING	1	-660414	
	38H1003	ELBOW FITTING	1	660415-	
8	T77814	O-RING	2		7.645 X 1.778 MM (0.301" X 0.070")
9	R26448	O-RING	1		11.887 X 1.981 MM (0.468" X 5/64")
10	38H1004	ELBOW FITTING	1		
11	T77613	O-RING	1		9.246 X 1.778 MM (0.364" X 0.070")
12	AH143322	HYDRAULIC CYLINDER	1		

# 3G21

## WET CLUTCH OIL COOLER LINES AND HOSES

(-665401)

HP4932 -UN-01JAN94



HP4932

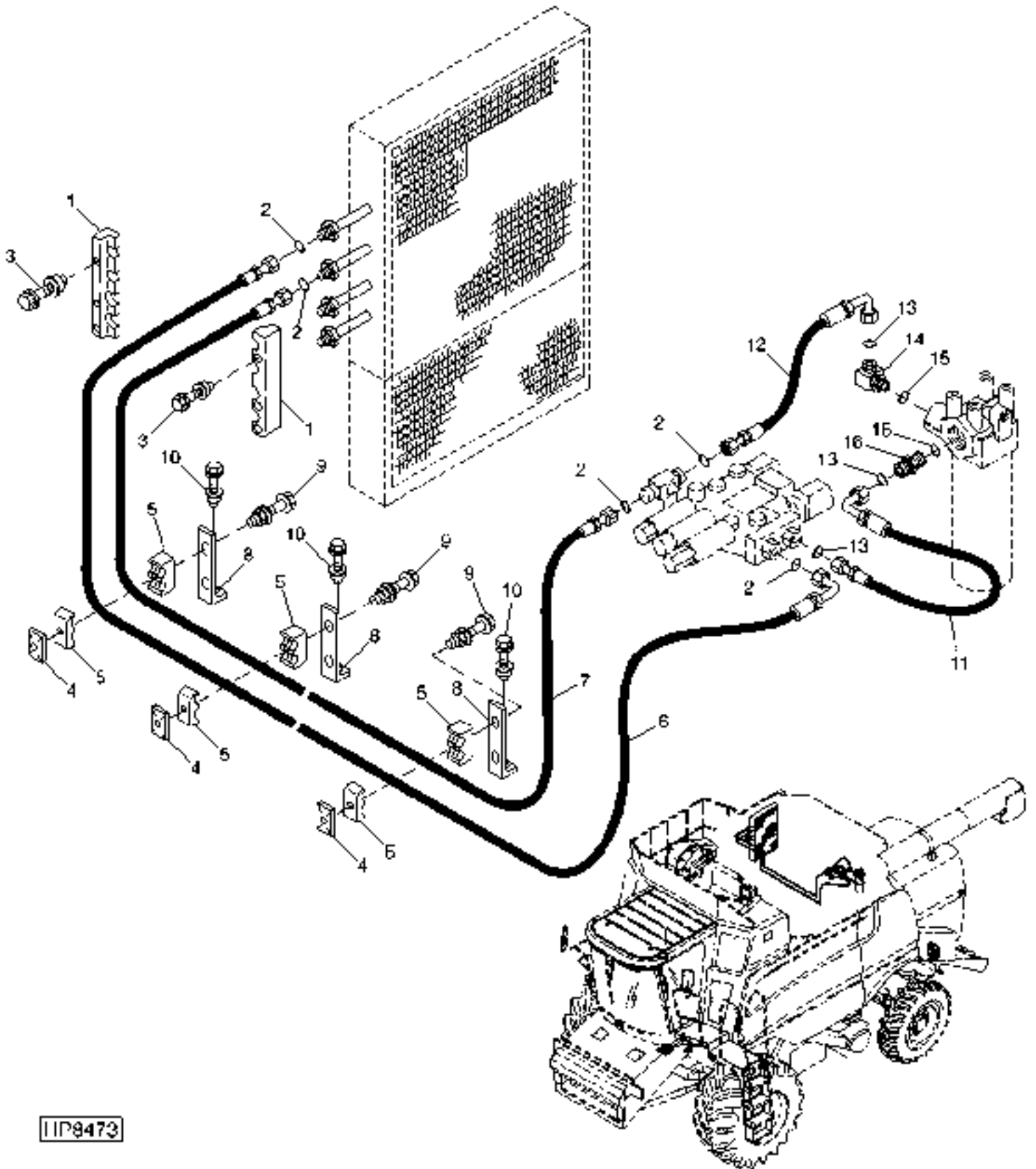
**WET CLUTCH OIL COOLER LINES AND HOSES - CONTINUED**  
**( -665400)**

KEY	PART NO.	PART NAME	QTY	SERIAL NO.	REMARKS
1	T80306	NUT	2		25.400 MM (1")
2	T77932	O-RING	9		15.596 X 1.778 MM (0.614" X 0.070")
3	AH128992	HYDRAULIC HOSE	2		1" X 265 MM (10-1/2") X 1"
4	H121168	PLATE	2		
5	H120847	CLAMP	4		
6	AH138866	OIL LINE	1		
7	AH138865	OIL LINE	1		
8	H130451	BRACKET	2		
9	19M8319	SCREW	2		M8 X 50
	14M7298	FLANGE NUT	2		M8
10	19M7866	SCREW	2		M8 X 20
	14M7298	FLANGE NUT	2		M8
11	AH128778	HYDRAULIC HOSE	1		1" X 475 MM (18-3/4") X 1"
12	AH128779	HYDRAULIC HOSE	1		1" X 275 MM (10-3/4") X 13/16"
13	T77857	O-RING	3		12.421 X 1.778 MM (0.489" X 0.070")
14	38H1013	ELBOW FITTING	1		
15	U12547	O-RING	2		23.470 X 2.946 MM (0.924" X 0.116")
16	38H1175	ADAPTER	1		
17	AH128780	HYDRAULIC HOSE	1		13/16" X 725 MM (28-1/2") X 13/16"
18	AH128777	HYDRAULIC HOSE	1		1" X 500 MM (19-3/4") X 1"
19	24H1462	WASHER	2		26.975 X 38.100 X 1.524 MM (1-1/16" X 1-1/2" X 0.060")
..	AH140472	OIL COOLER	1		

# 3G23

## WET CLUTCH OIL COOLER LINES AND HOSES

(665401- )  
HP8473 -UN-21APR99



HP8473

# 3G24

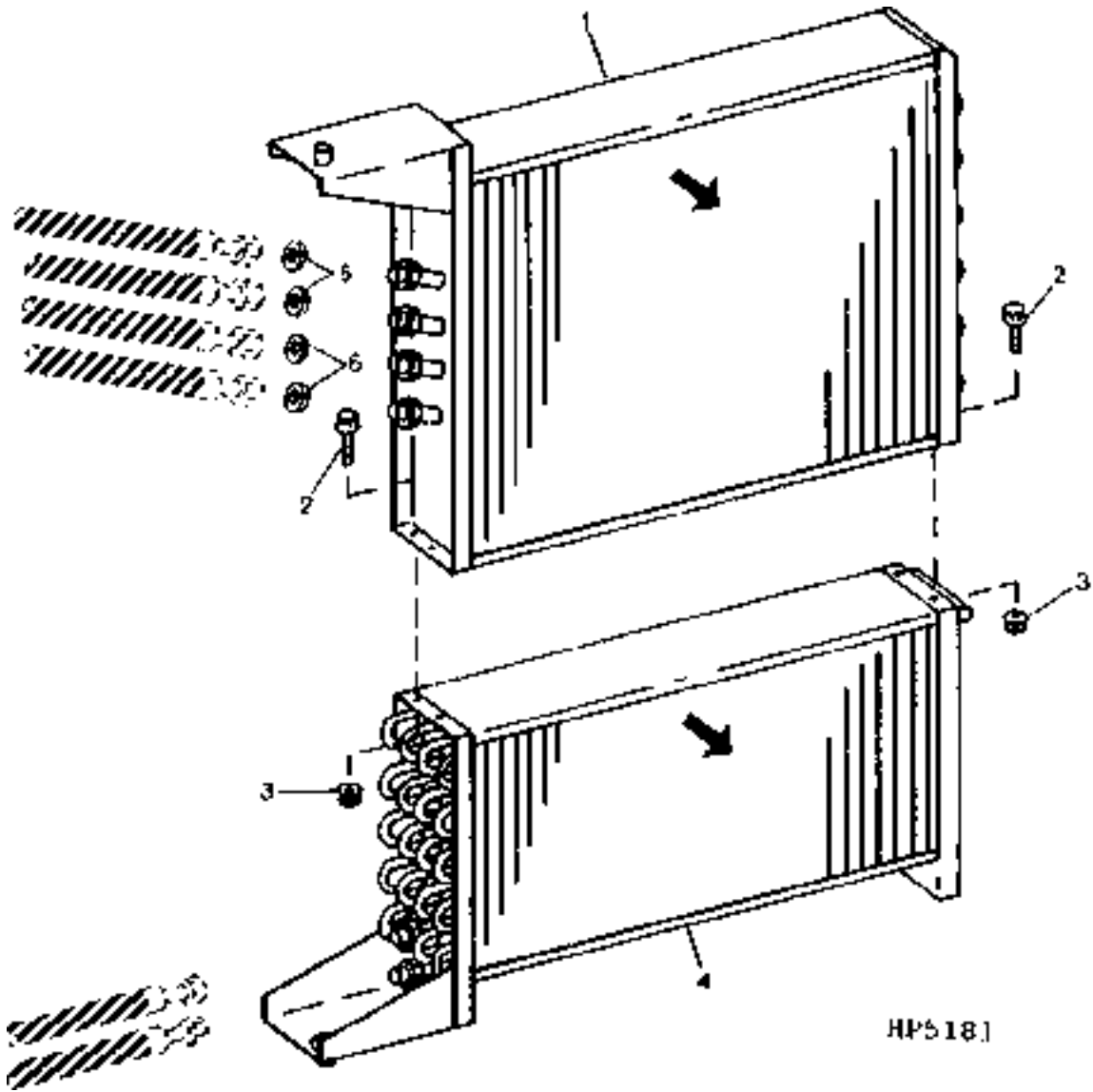
HYDRAULICS

**WET CLUTCH OIL COOLER LINES AND HOSES - CONTINUED**  
(665401- )

KEY	PART NO.	PART NAME	QTY	SERIAL NO.	REMARKS
1	H151585	CLAMP	2		
2	T77932	O-RING	5		15.596 X 1.778 MM (0.614" X 0.070")
3	19M8317	SCREW	6		M8 X 40
	14M7298	FLANGE NUT	3		M8
4	H112567	PLATE	3		
5	H150983	CLAMP	6		
6	AH145239	HYDRAULIC HOSE	1		
7	AH145241	HYDRAULIC HOSE	1		
8	H150980	BRACKET	3		
9	19M7979	SCREW	3		M8 X 55
	14M7298	FLANGE NUT	3		M8
10	19M7866	SCREW	3		M8 X 20
	14M7298	FLANGE NUT	3		M8
11	AH128780	HYDRAULIC HOSE	1		13/16" X 725 MM (28-1/2") X 13/16"
12	AH128779	HYDRAULIC HOSE	1		1" X 275 MM (10-3/4") X 13/16"
13	T77857	O-RING	3		12.421 X 1.778 MM (0.489" X 0.070")
14	38H1013	ELBOW FITTING	1		
15	U12547	O-RING	2		23.470 X 2.946 MM (0.924" X 0.116")
16	38H1175	ADAPTER	1		

# 3H1

OIL COOLER AND A/C CONDENSER  
HP5181 -UN-01JAN94





# 3H2

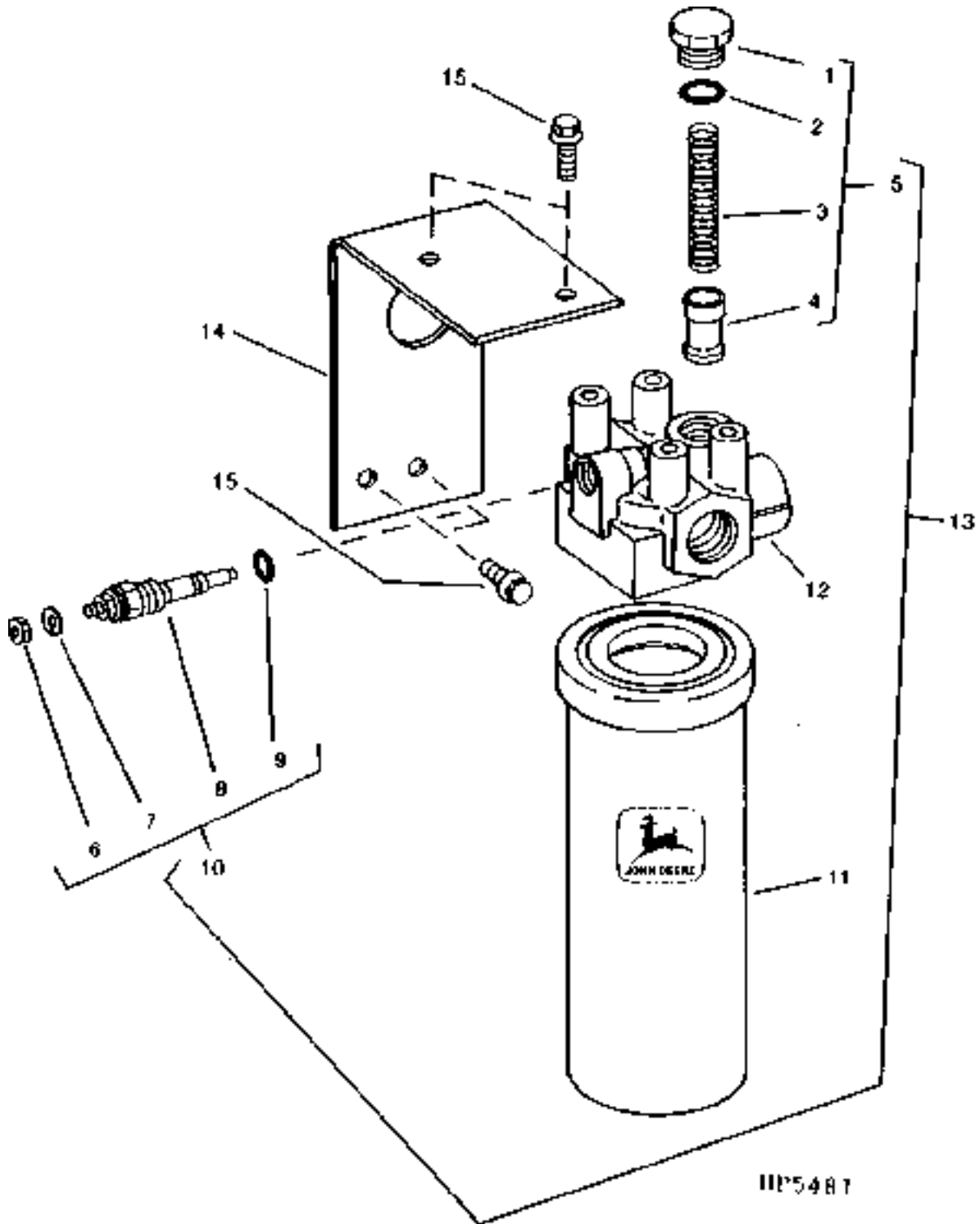
HYDRAULICS

## OIL COOLER AND A/C CONDENSER - CONTINUED

KEY	PART NO.	PART NAME	QTY	SERIAL NO.	REMARKS
1	AH140472	OIL COOLER	1	-665400	
	AH149588	VAPOR CONDENSER	1		(SUB FOR AH145232)
2	19M7774	SCREW	4		M6 X 12
	19M7774	SCREW	3		M6 X 12, (LEAVE FRONT L.H. HOLE EMPTY)
3	14M7303	FLANGE NUT	4		M6
4	AH149618	VAPOR CONDENSER	1		(SUB FOR AH140471) EVAPORATOR
5	24H1534	WASHER	2		1-17/32" X 2-1/16" X 0.060"
6	24H1462	WASHER	2		1-1/16" X 1-1/2" X 0.060"

# 3H3

ENGINE GEARCASE OIL FILTER ASSEMBLY  
HP5481 -UN-01JAN94



# 3H4

HYDRAULICS

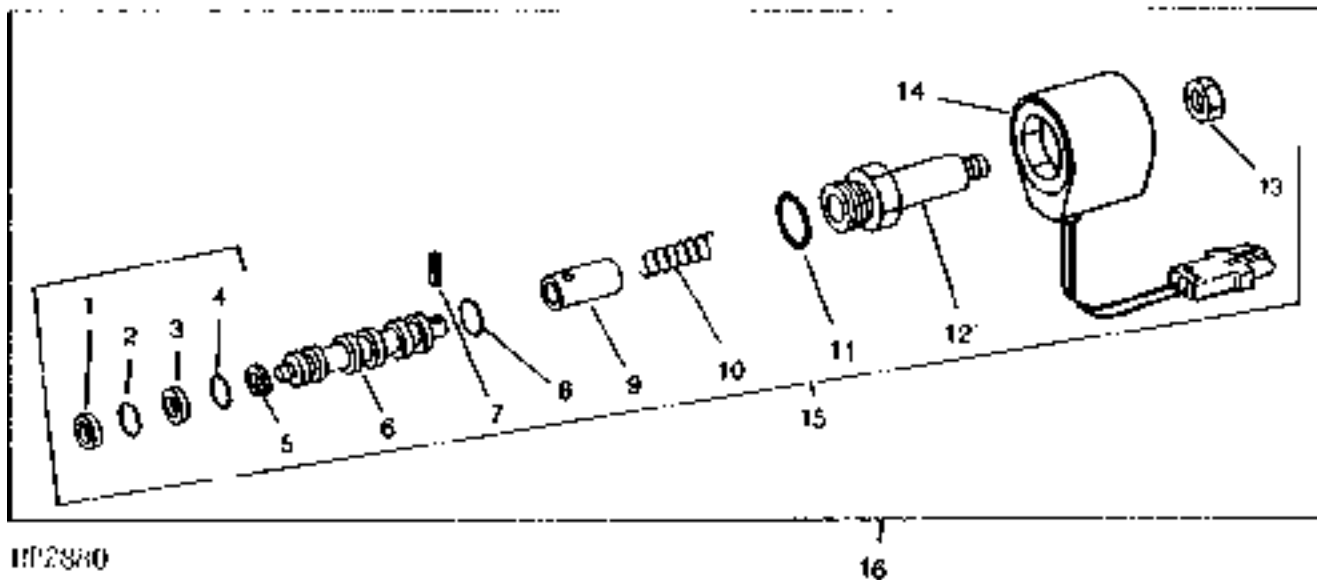
## ENGINE GEARCASE OIL FILTER ASSEMBLY - CONTINUED

KEY	PART NO.	PART NAME	QTY	SERIAL NO.	REMARKS
1	.....	PLUG	1		
2	R26906	O-RING	1		19.177 X 2.464 MM (0.755" X 0.097")
3	.....	SPRING	1		
4	.....	PISTON	1		
5	AH128451	VALVE	1		
6	14H631	NUT	1		0.190"
7	12H295	LOCK WASHER	1		0.190"
8	.....	SENDER	1		
9	R26448	O-RING	1		11.887 X 1.981 MM (0.468" X 5/64")
10	AH128450	TOUCH SWITCH	1		
11	AH128449	HYDRAULIC FILTER	1		(USE WITH AH139434)
12	AH139434	HYDRAULIC FILTER	1		(USE WITH AH128449)
13	AH128448	HYDRAULIC FILTER	1	-650479	WET CLUTCH, (SUB AH139434 AND AH128449)
14	H133675	BRACKET	1		
15	19M7784	SCREW	4		M10 X 20

# 3H5

## SOLENOID CONTROL VALVE FOR ENGINE GEARCASE PRESSURE REGULATOR

HP2880 -UN-01JAN94

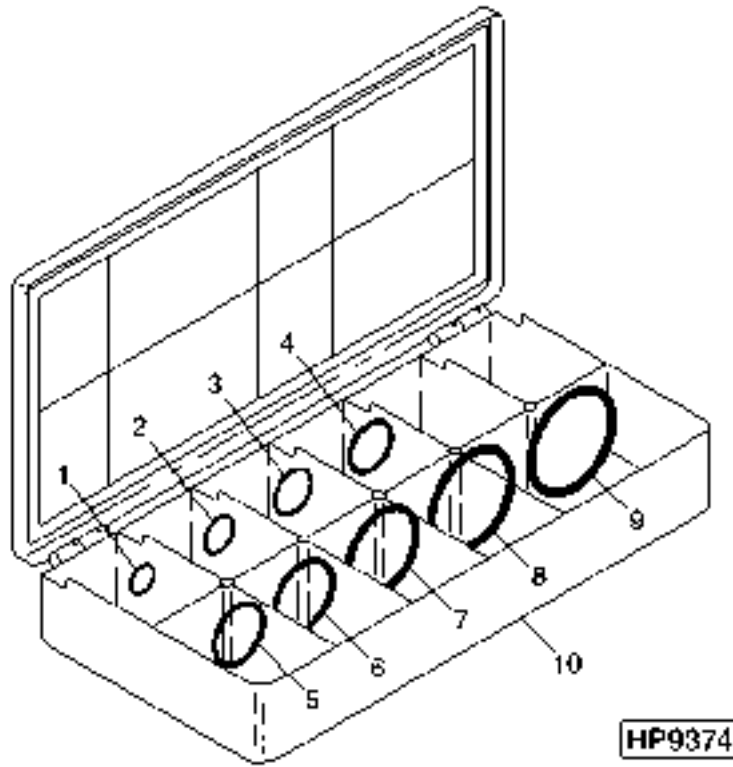


KEY	PART NO.	PART NAME	QTY	SERIAL NO.	REMARKS
1	R42926	BACK-UP RING	1		
2	T77857	O-RING	1	12.421 X 1.778 MM (0.489" X 0.070")	
3	R45187	BACK-UP RING	1		
4	R45638	O-RING	1	15.596 X 1.778 MM (0.614" X 0.070")	
5	R46701	SNAP RING	1		
6	.....	VALVE SPOOL	1	(KIT AH128655 OR AH130949)	
7	34H227	SPRING PIN	1	3/32" X 1/2"	
8	N31772	O-RING	1	18.771 X 1.778 MM (0.739" X 0.070")	
9	.....	PLUNGER	1	(KIT AH128655 OR AH130949)	
10	R64698	SPRING	1		
11	U12547	O-RING	1	23.470 X 2.946 MM (0.924" X 0.116")	
12	.....	GUIDE	1	(KIT AH128655 OR AH130949)	
13	M63707	LOCK NUT	1		
14	AH128654	ELECTRICAL COIL	1		
	R78053	PIN CONTACT CONNECTOR BODY	1	(PKG OF 3)	
	R78059	ELECTRICAL PLUG	1	(PKG OF 40)	
	R78061	PIN CONTACT	1	(PKG OF 40)	
15	AH130949	SOLENOID VALVE	1		
16	AH128655	SOLENOID VALVE	1		

# 3H6

HYDRAULICS

**HYDRAULIC FLAT O-RING KIT**  
HP9374 -UN-01DEC99

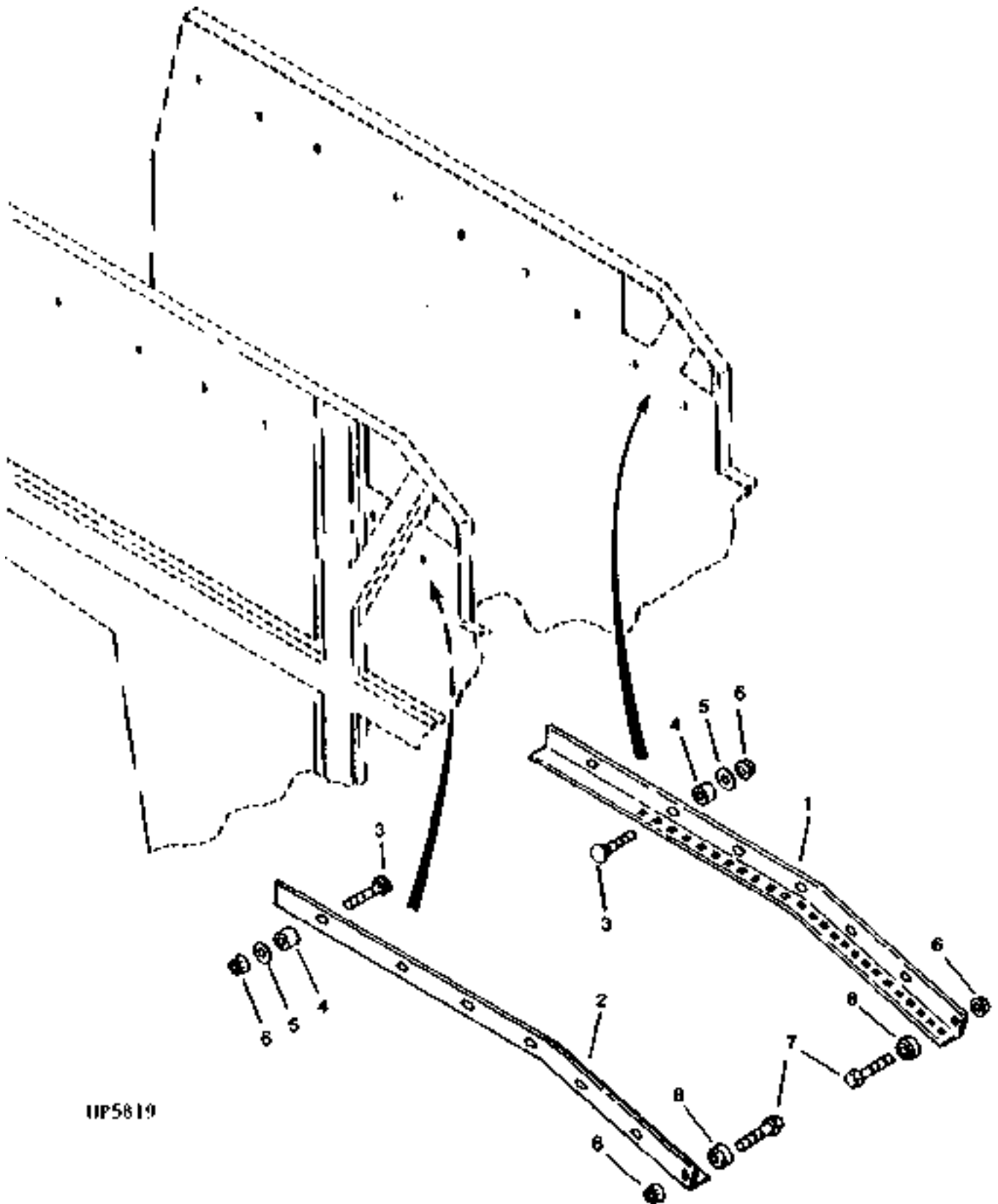


KEY	PART NO.	PART NAME	QTY	SERIAL NO.	REMARKS
1	T77814	O-RING	10		7.645 X 1.778 MM (0.301" X 0.070") SIZE -4
2	T77613	O-RING	12		9.246 X 1.778 MM (0.364" X 0.070") SIZE -6
3	T77857	O-RING	12		12.421 X 1.778 MM (0.489" X 0.070") SIZE -8
4	T77932	O-RING	12		15.596 X 1.778 MM (0.614" X 0.070") SIZE -10
5	T77858	O-RING	12		18.771 X 1.778 MM (0.739" X 0.070") SIZE -12
6	T76938	O-RING	12		23.520 X 1.778 MM (0.926" X 0.070") SIZE -16
7	T78612	O-RING	5		29.870 X 1.778 MM (1.176" X 0.070") SIZE -20
8	T78784	O-RING	5		37.821 X 1.778 MM (1.489" X 0.070") SIZE -24
9	T78313	O-RING	6		32.918 X 3.531 MM (1.296" X 0.139")
10	AT85197	O-RING KIT	1		



MEMORANDA

**TINE SEPARATOR MODULE RAILS**  
HP5819 -UN-01JAN94



HP5819



# 3H10

SEPARATOR SHELL

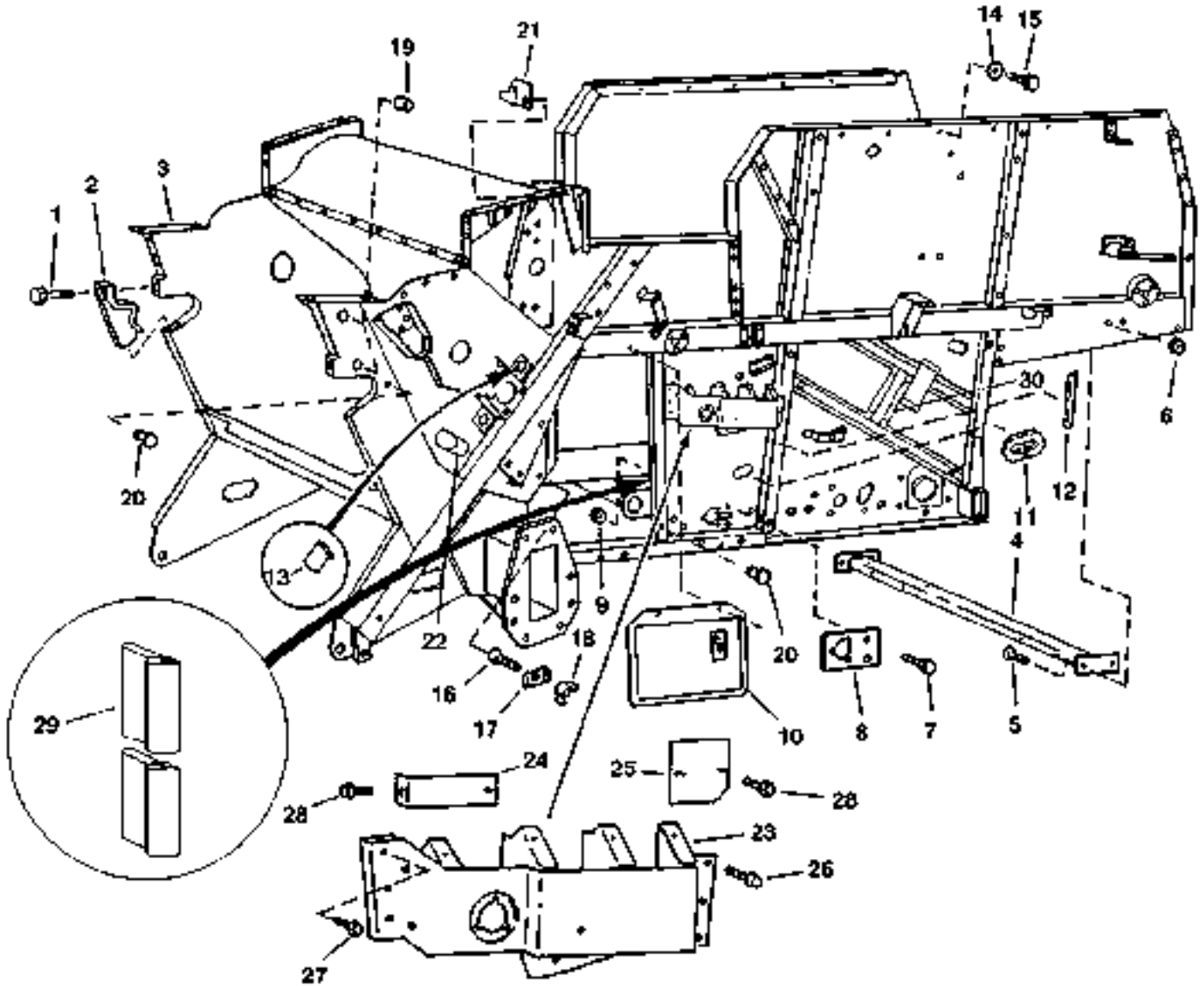
## TINE SEPARATOR MODULE RAILS - CONTINUED

KEY	PART NO.	PART NAME	QTY	SERIAL NO.	REMARKS
1	H143585	ANGLE	1		L.H.
2	H143584	ANGLE	1		R.H.
3	03M7339	BOLT	14		M10 X 50
4	H123918	SPACER	14		
5	24M7239	WASHER	14		10.700 X 21 X 2.500 MM (0.421" X 0.827" X 0.098")
6	14M7296	FLANGE NUT	16		M10
7	19M7807	SCREW	2		M10 X 60
8	H145716	RAMP	2		

# 3H11

SEPARATOR SHELL

SEPARATOR FRAME  
HP6867 -UN-04AUG97



HP6867

# 3H12

SEPARATOR SHELL

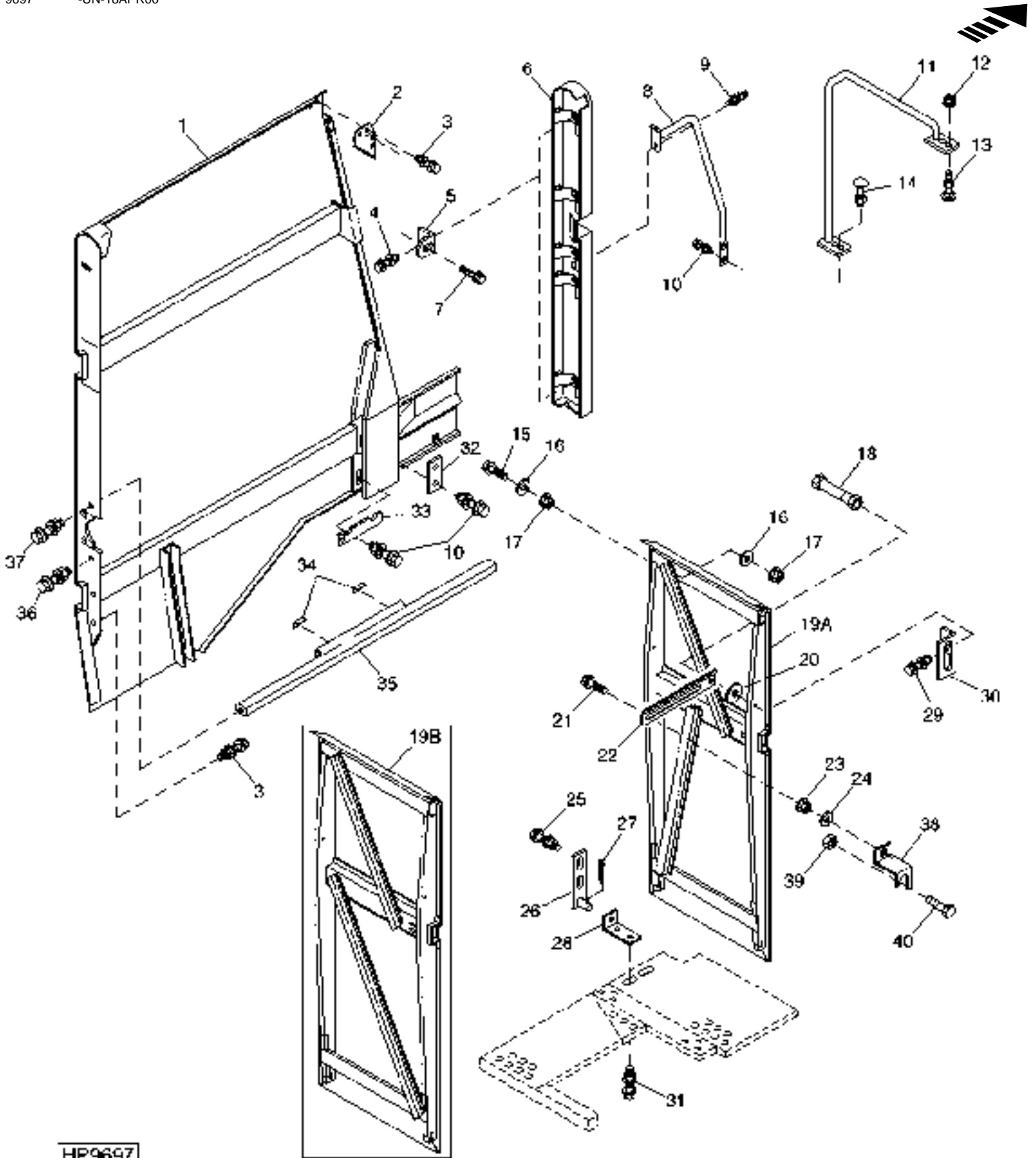
## SEPARATOR FRAME- CONTINUED

KEY	PART NO.	PART NAME	QTY	SERIAL NO.	REMARKS
1	19M7831	SCREW	2		M20 X 80
2	H158749	RETAINER	2		(SUB FOR H140645 OR H147074)
3	.....	FRAME	1		
4	AH132361	CROSSBAR	2		
5	03M7218	BOLT	8		M10 X 80
6	14M7296	FLANGE NUT	8		M10
7	19M7865	SCREW	2		M8 X 16
8	H132539	COVER	1		
9	14M7298	FLANGE NUT	2		M8
10	H130349	COVER	2		
11	.....	SEAL	2		CUT TO LENGTH FROM AH133091 50 FT ROLL
12	.....	SEAL	2		CUT TO LENGTH FROM AH133091 50 FT ROLL
13	H89544	DOOR	4		TO CHECK CYLINDER TO CONCAVE CLEARANCE
14	24M7178	WASHER	10		10.500 X 30 X 2.500 MM
15	37M7080	SCREW	10		M10 X 30, THRU ENGINE PLATFORM AND INTO FRAME SILL WELD NUT
16	03M7185	BOLT	4		M8 X 25
17	P47159	CLAMP	4		
18	14M7020	WING NUT	4		M8
19	H120379	SPACER	4		
20	H132926	PLUG	4		
21	H140866	CLAMP	1		
22	H148000	PLUG	1		KNOCK OUT PLUG (TO CONVERT TO RICE CYLINDER) IF LOST - WELD IN PLACE
23	AH140485	BRACKET	1		L.H.
	AH140484	BRACKET	1		R.H.
24	H144715	SHIELD	1		L.H.
	H144716	SHIELD	1		R.H.
25	H144717	SHIELD	1		L.H.
26	19M7785	SCREW	3		M10 X 25
27	19M8292	SCREW	3		M10 X 50
28	37M7089	SCREW	2		M6 X 12
29	.....	SEAL	1		CUT TO 180 MM FROM AH133091
30	H160265	REINFORCEMENT	1	29SEP7-	

# 3H13

SEPARATOR SHELL

ENGINE ACCESS DOOR, HANDRAILS, AND RADIATOR DOOR  
HP9697 -UN-18APR00



HP9697

# 3H14

SEPARATOR SHELL

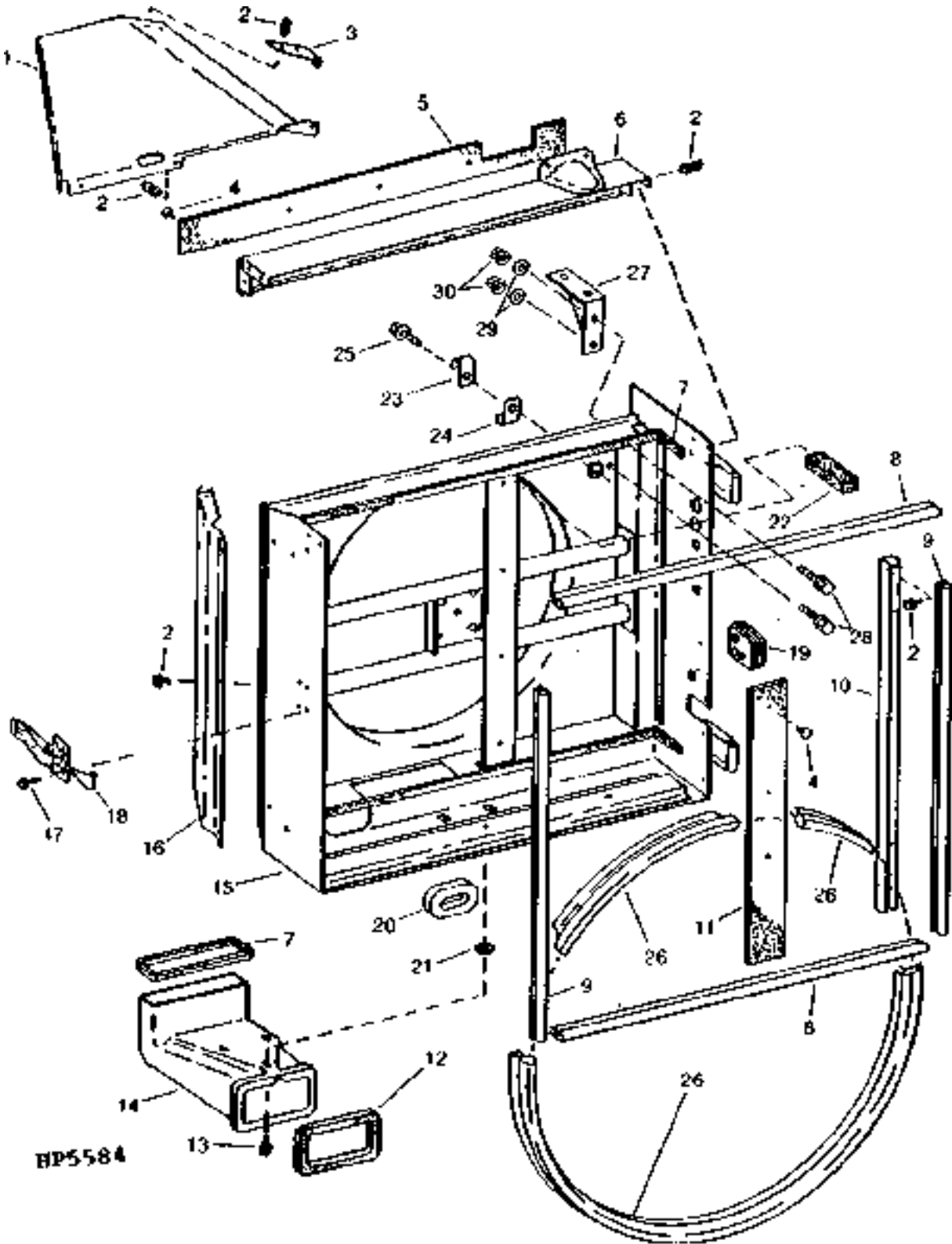
## ENGINE ACCESS DOOR, HANDRAILS, AND RADIATOR DOOR - CONTINUED

KEY	PART NO.	PART NAME	QTY	SERIAL NO.	REMARKS
1	AH136163	DOOR	1		
2	H134403	REINFORCEMENT	1		
3	19M7865	SCREW	4	M8 X 16	
	14M7298	FLANGE NUT	4	M8	
4	03M7184	BOLT	AR	M8 X 20	
	14M7298	FLANGE NUT	AR	M8	
5	H130968	ANGLE	3		
6	AH126015	PANEL	1		
7	19M7866	SCREW	3	M8 X 20	
8	AH126016	HANDRAIL	1		
9	19M7784	SCREW	1	M10 X 20	
	24M7101	WASHER	1	11 X 34 X 3 MM	
	14M7296	FLANGE NUT	1	M10	
10	19M7785	SCREW	6	M10 X 25	
	14M7296	FLANGE NUT	6	M10	
11	AH125686	HANDRAIL	1		
12	14M7296	FLANGE NUT	2	M10	
13	03M7307	BOLT	2	M10 X 25	
14	19M7784	SCREW	2	M10 X 20	
	14M7296	FLANGE NUT	2	M10	
15	H133042	PIN	1		
16	24M7180	WASHER	2	13 X 37 X 3 MM	
17	14M7299	FLANGE NUT	2	M12	
18	53M7003	SCREW	1	M8 X 25	
	E64256	LOCK NUT	1	M8	
19A	AH133830	DOOR	1	(SUB AH168934) (SUB FOR AH125575)	
19B	AH168934	DOOR	1		
20	24M7178	WASHER	1	10.500 X 30 X 2.500 MM	
21	19M8319	SCREW	1	M8 X 50	
22	H139225	STOP	1		
23	14M7273	NUT	2	M8	
24	24M7207	WASHER	1	8.400 X 24 X 2 MM	
25	03M7184	BOLT	AR	M8 X 20	
	14M7298	FLANGE NUT	AR	M8	
26	AH125575	PLATE	1		
27	11M7012	COTTER PIN	2	3.200 X 16 MM	
28	H130246	HINGE	2		
29	19M7866	SCREW	4	M8 X 20	
	14M7298	FLANGE NUT	4	M8	
30	H134072	ANGLE	1		
31	03M7185	BOLT	4	M8 X 25	
	24M7207	WASHER	4	8.400 X 24 X 2 MM	
	14M7298	FLANGE NUT	4	M8	
32	H132992	PLATE	AR		
33	H132793	STRAP	3		
34	Z39238	FOAM PAD	2		
35	H130967	REINFORCEMENT	1		
36	19M7785	SCREW	AR	M10 X 25	
37	19M7784	SCREW	2	M10 X 20	
	14M7296	FLANGE NUT	2	M10	
38	H139224	BRACKET	1		
39	14M7298	FLANGE NUT	1	M8	
40	19M7866	SCREW	1	M8 X 20	

# 3H15

SEPARATOR SHELL

RADIATOR SHELL AND SEALS  
HP5584 -UN-01JAN94



# 3H16

SEPARATOR SHELL

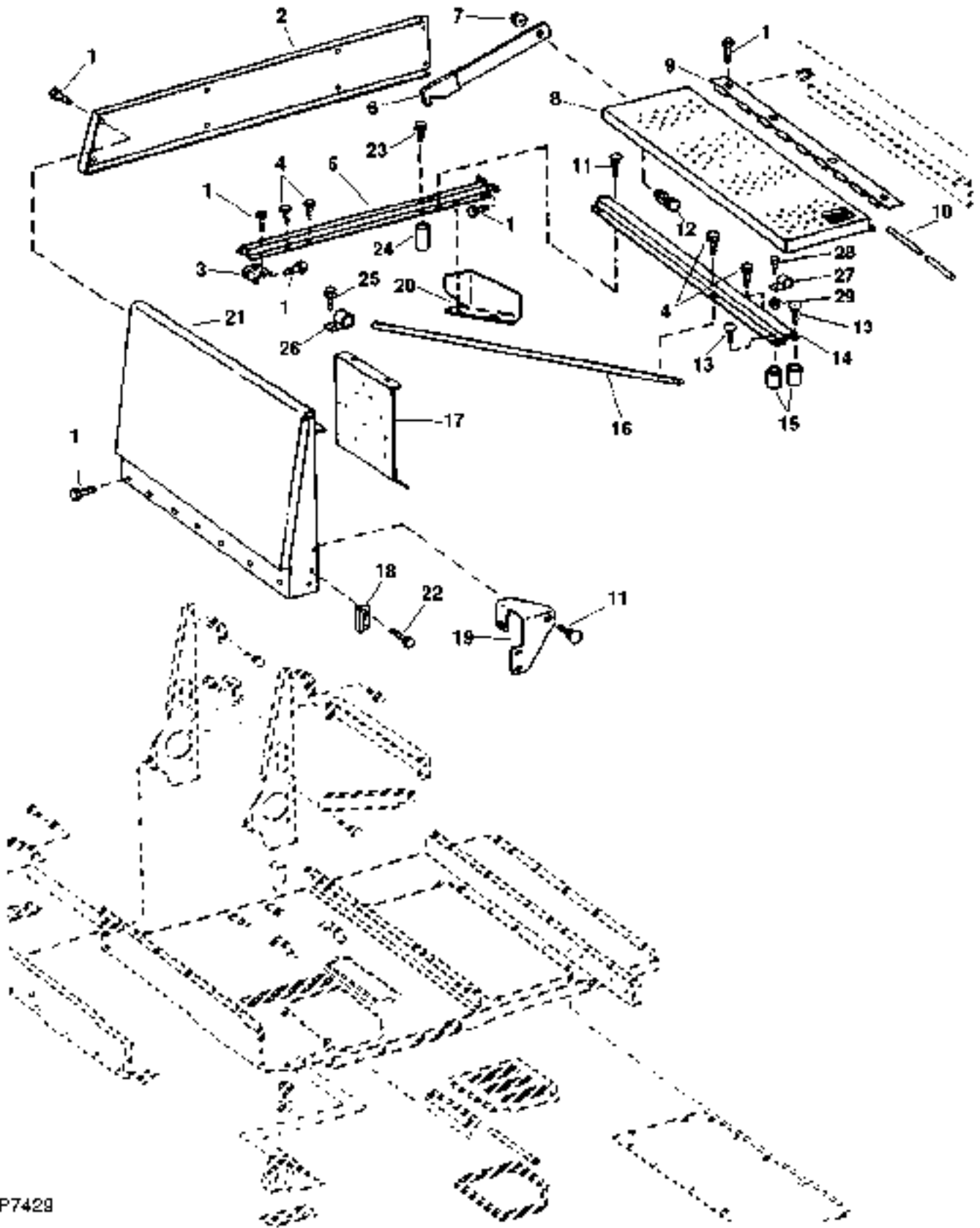
## RADIATOR SHELL AND SEALS - CONTINUED

KEY	PART NO.	PART NAME	QTY	SERIAL NO.	REMARKS
1	AH160086	SHEET	1		(SUB FOR AH130954 OR AH154237)
2	19M7865	SCREW	AR		M8 X 16
	14M7298	FLANGE NUT	AR		M8
	24M7207	WASHER	2	655401-	
3	H134910	BRACKET	1		
4	H116740	PLUG	9	-654696	
5	H134525	SEAL	1	-645709	(SUB (2) H146765 AND H88769)
	H146765	BARRIER	1	-650400	
	H146765	BARRIER	2	650401-660713	
	H154195	SEAL	1	660714-	
6	AH133226	CHANNEL	1		USE WITH AH144719 RADIATOR
7	.....	SEAL	4		(CUT FROM H88769) CUT TO LENGTH; TWO PIECES AT 1440 MM, ONE PIECE AT 135 MM, ONE PIECE AT 765 MM. 1116 MM LONG.
8	AH140967	ACOUSTICAL UPHOLSTERY	2		USE AH130548 AND CUT TO 1037 MM
9	.....	ISOLATOR	2		
10	H146260	CHANNEL	1		
11	H134520	SEAL	1		
12	AH131965	ISOLATOR	1		
13	19M7865	SCREW	1		M8 X 16
14	H143465	AIR DUCT	1		
15	AH140553	FRAME	1	-665400	
	AH145233	FRAME	1	665401-	
16	H134527	SHEET	1		
17	37M7060	SCREW	AR		M4 X 10
18	AH87272	LATCH	1		
19	R66718	GROMMET	1		
20	H128502	SEAL	1		
21	24M7207	WASHER	3		8.400 X 24 X 2 MM
	19M7864	SCREW	3		M8 X 12
22	H88769	ISOLATOR	1		(SUB FOR H140121)
23	AH89557	CLIP	1		
24	AH96317	CLIP	1		(SUB FOR AH89486)
25	19M7865	SCREW	1		M8 X 16
26	AH140967	ACOUSTICAL UPHOLSTERY	1		
27	H146680	BRACKET	1		
28	19M7865	SCREW	2		M8 X 16
29	24M7207	WASHER	2		8.400 X 24 X 2 MM
30	14M7298	FLANGE NUT	2		M8

# 3H17

SEPARATOR SHELL

ENGINE COMPARTMENT  
HP7429 -UN-20FEB98



HP7429



# 3H18

SEPARATOR SHELL

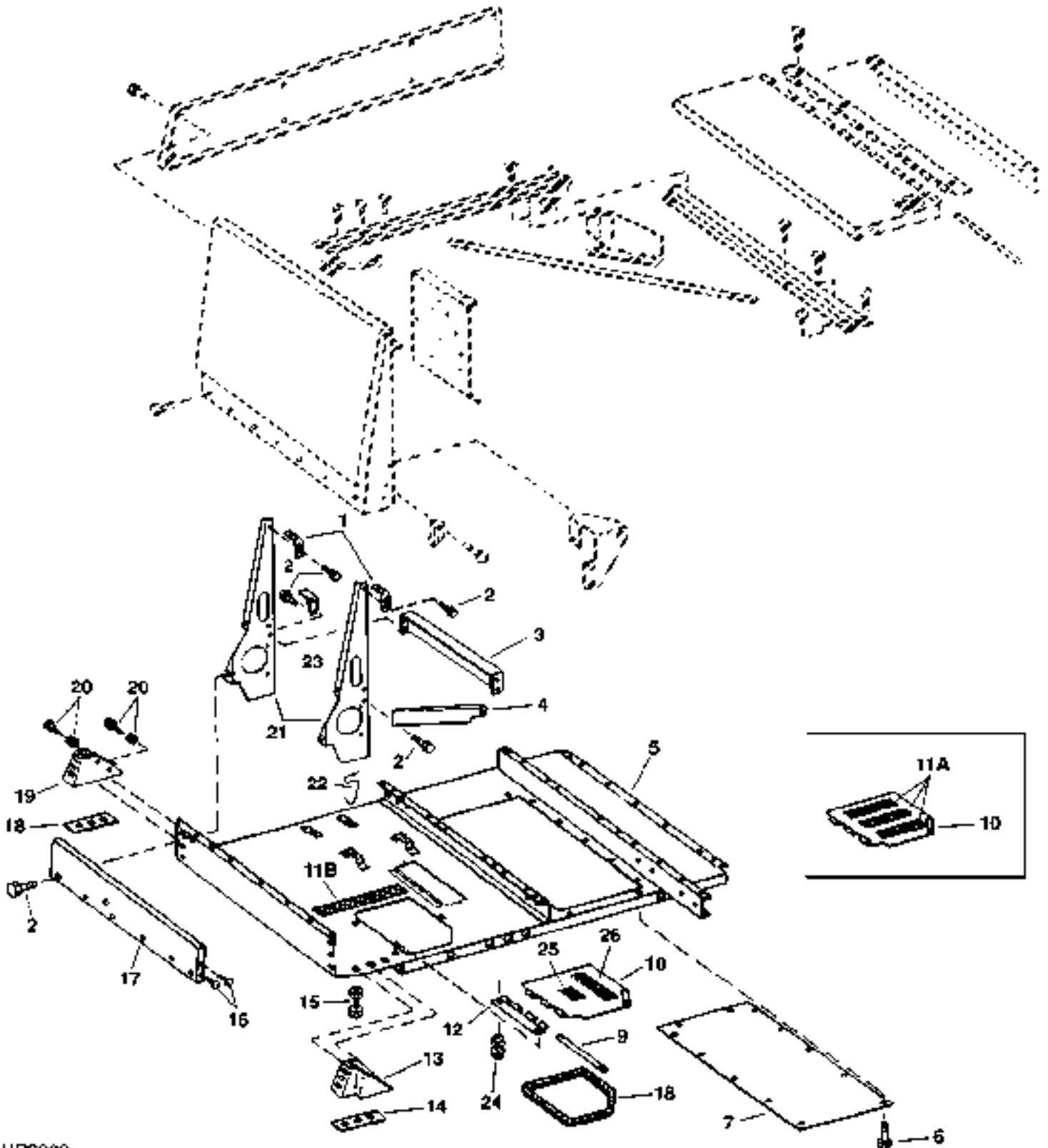
## ENGINE COMPARTMENT - CONTINUED

KEY	PART NO.	PART NAME	QTY	SERIAL NO.	REMARKS
1	19M7865	SCREW	AR		M8 X 16
	14M7298	FLANGE NUT	AR		M8
2	H134106	PANEL	1		L.H.
3	H128744	ANGLE	1		
4	19M8290	SCREW	4		M6 X 35
	14M7397	LOCK NUT	4		M6
5	AH129195	CHANNEL	1		L.H.
6	AH136616	BRACE	1		
7	14M7396	LOCK NUT	1		M8
8	AH136455	DOOR	1		
9	H134738	HINGE	1		
10	H134930	PIN	1		MAKE FROM H99599, 1 165 MM LONG
11	03M7183	BOLT	1		M8 X 16
	14M7298	FLANGE NUT	1		M8
12	19M7868	SCREW	1		M8 X 30
	14M7273	NUT	1		M8
13	37M7102	SCREW	2		M8 X 40
14	AH136504	CHANNEL	1	-2DEC96	REAR
	AH152323	CHANNEL	1	2DEC96-670405	
	H159733	CHANNEL	1	670406-	
15	H141836	BUSHING	2		
16	H135147	TUBE	1	-665400	USED ON CTS GRAIN AND RICE
	H155112	TUBE	1		USED ON CTS GRAIN AND RICE
	H135147	TUBE	1	665401-	USED ON CTS ITALY
17	AH130497	PLATE	1		
18	H134073	STOP	1		
19	H137267	REINFORCEMENT	1		REAR WALL
20	H135610	DEFLECTOR	1		
	H169292	DEFLECTOR	1	20JL98-	
21	AH136046	PANEL	1		UPPER REAR
22	19M7866	SCREW	2	-22APR	M8 X 20
	19M7866	SCREW	1	22APR-	M8 X 20
	14M7298	FLANGE NUT	1	22APR-	M8
23	19M8318	SCREW	1		M8 X 45
24	28H1633	BUSHING	1		
25	19M7865	SCREW	1		M8 X 16
26	H136577	CLAMP	1		
27	AH117301	CLAMP	2	670406-	
28	19M7865	SCREW	2	670406-	M8 X 16
29	14M7298	FLANGE NUT	2	670406-	M8

# 3H19

SEPARATOR SHELL

ENGINE COMPARTMENT  
HP6929 -UN-29AUG97



HP6929

# 3H20

SEPARATOR SHELL

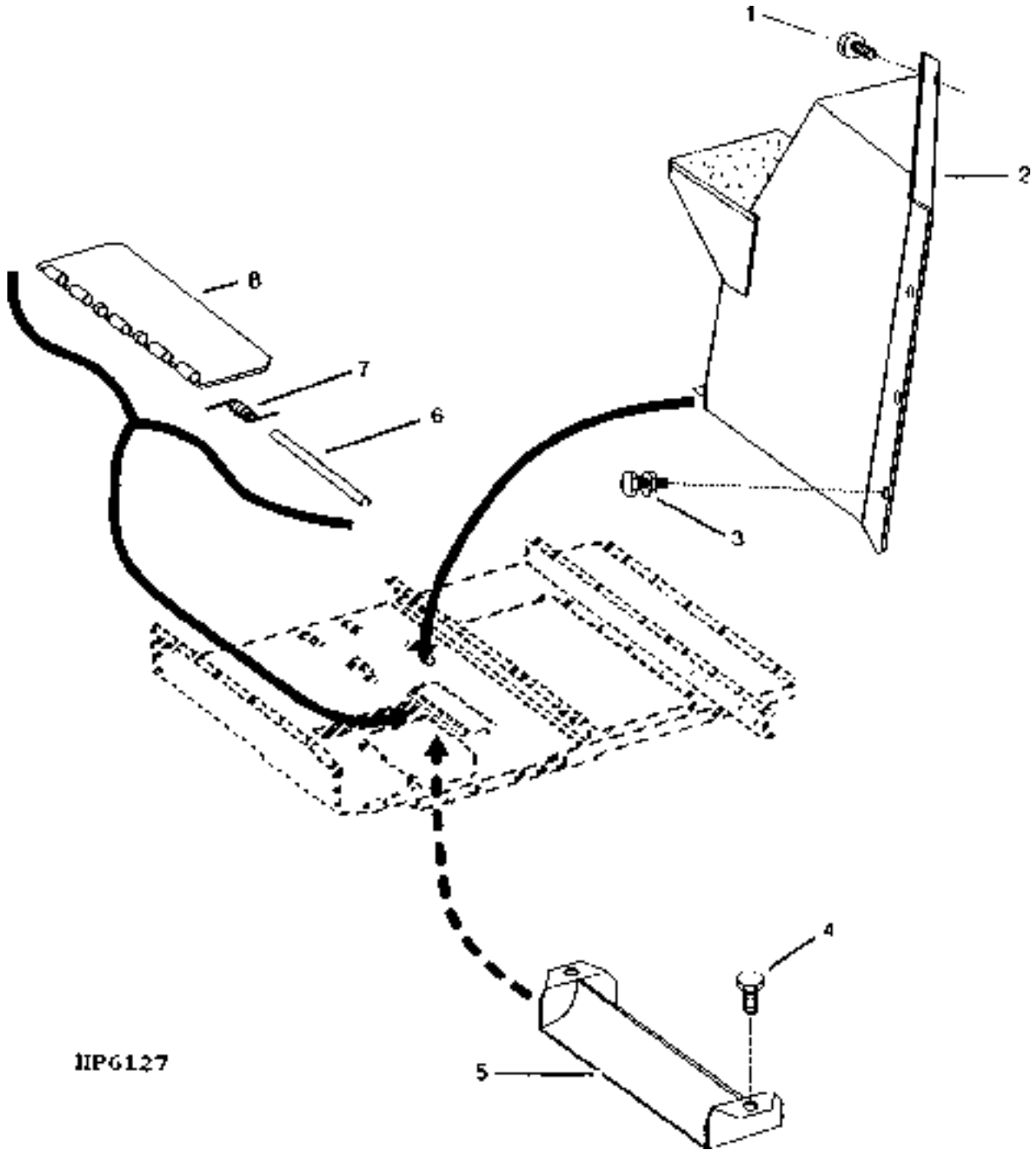
## ENGINE COMPARTMENT - CONTINUED

KEY	PART NO.	PART NAME	QTY	SERIAL NO.	REMARKS
1	H131526	ANGLE	2		
2	19M7865	SCREW	7		M8 X 16
	14M7298	FLANGE NUT	7	-670400	M8
	14M7298	FLANGE NUT	2		M8
3	H134102	CHANNEL	1		
4	H134108	GUSSET	1		
5	AH164365	FRAME	1		(SUB FOR AH137858, AH147480 AND AH149860) AND (AH154876 AND H161354)
6	37M7058	SCREW	16		M8 X 20
7	H150317	SHEET	1		(SUB FOR H127097)
8	AH122244	ISOLATOR	1		
9	H130057	PIN	1		(SUB FOR H134464)
10	AH130506	DOOR	1		
11A	H131743	MAT	5	-28APR7	
11B	H131743	MAT	1	-28APR7	
12	H134506	HINGE	1		
13	H137261	SUPPORT	1		(SUB H165585) R.H.
	H165585	SUPPORT	1		
14	H135393	STRAP	1		
15	19M7805	SCREW	4		M10 X 45
	14M7296	FLANGE NUT	4		M10
16	03M7183	BOLT	2		M8 X 16
17	AH136047	PANEL	1		
18	H135392	STRAP	1		
19	H165587	SUPPORT	1		(SUB FOR H140225)
20	19M7866	SCREW	2		M8 X 20
	14M7298	FLANGE NUT	2		M8
21	H134107	GUSSET	1		
22	H135245	HOOK	1		
23	H134105	GUSSET	1		
24	H135245	HOOK	1		
	14M7298	FLANGE NUT	2		M8
25	H136015	MAT	1	28APR7-	
26	H136014	MAT	1	28APR7-	

# 3H21

SEPARATOR SHELL

ENGINE COMPARTMENT  
HP6127 -UN-21JUL95



HP6127

# 3H22

SEPARATOR SHELL

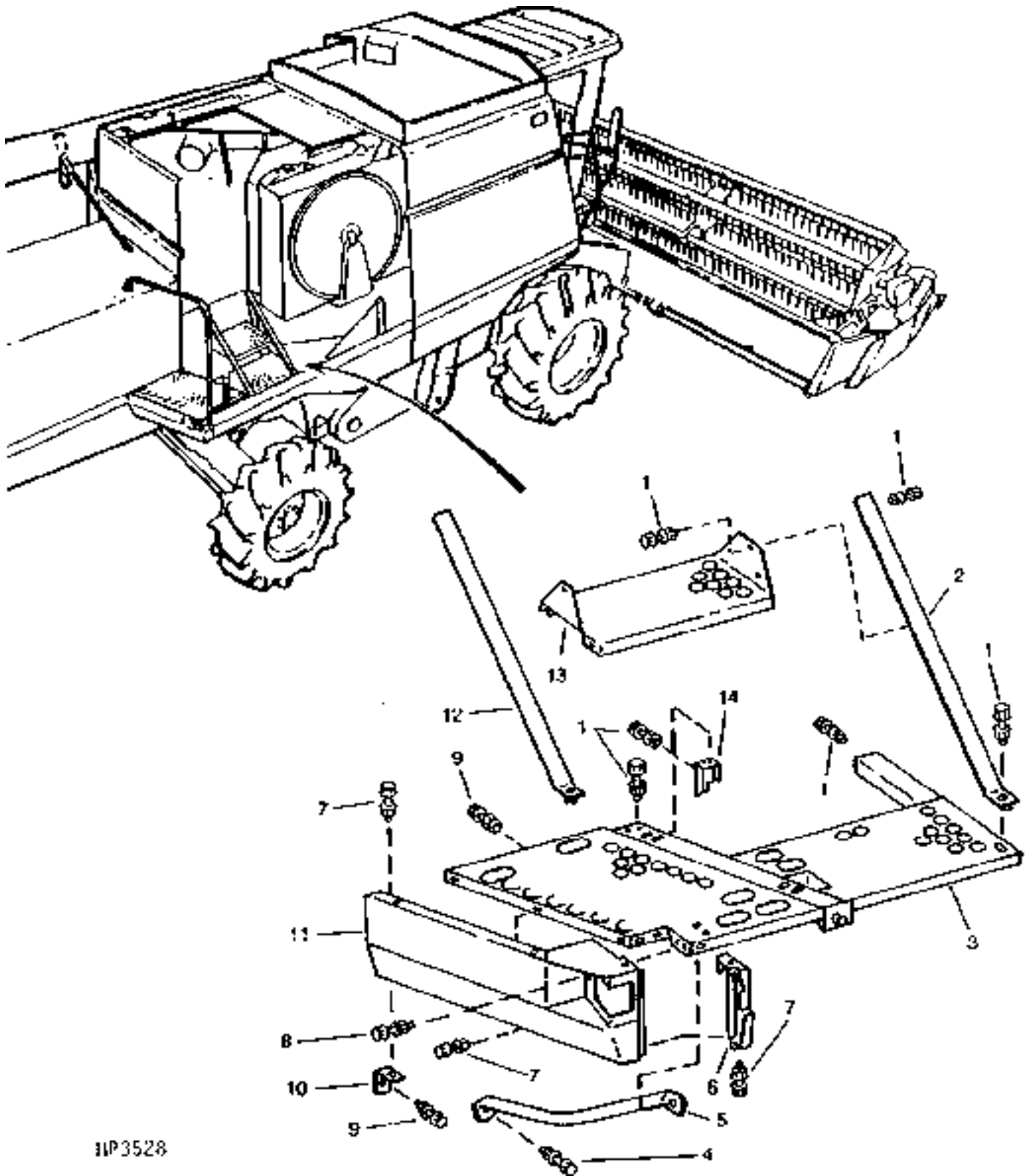
## ENGINE COMPARTMENT - CONTINUED

KEY	PART NO.	PART NAME	QTY	SERIAL NO.	REMARKS
1	19M7865	SCREW	1		M8 X 16, INTO WELD NUT
2	AH162371	AIR DUCT	1		(SUB FOR AH137887) NOT AS ILLUSTRATED
3	H134102	CHANNEL	1		
	14M7298	FLANGE NUT	3		M8
4	37M7058	SCREW	2		SELF-TAPPING, INTO WELD NUT
5	AH137859	DEFLECTOR	1		
6	H144077	PIN	1		
7	H35712	SPRING	2		
8	H144034	HINGE	1		DOOR

# 3H23

SEPARATOR SHELL

ENGINE ACCESS PLATFORM AND STEP  
HP3528 -UN-01JAN94



HP3528

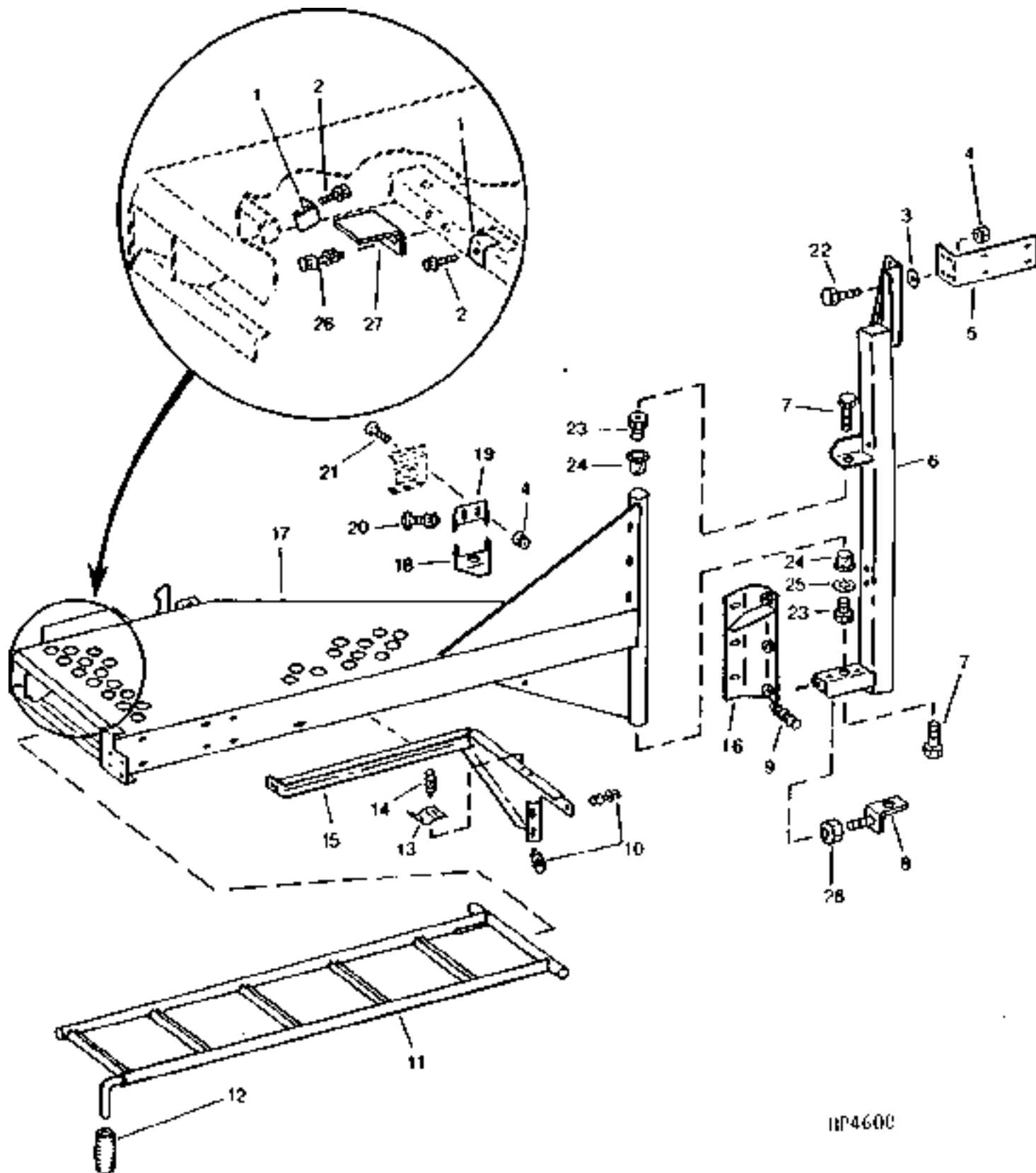
# 3H24

SEPARATOR SHELL

## ENGINE ACCESS PLATFORM AND STEP - CONTINUED

KEY	PART NO.	PART NAME	QTY	SERIAL NO.	REMARKS
1	19M7784	SCREW	16	M10 X 20	
	14M7296	FLANGE NUT	16	M10	
2	H130424	ANGLE	1		
3	AH135299	PLATFORM	1		
4	19M7785	SCREW	1	M10 X 25	
	14M7296	FLANGE NUT	1	M10	
5	H130432	BRACE	1		
6	H130431	PANEL	1		
7	19M7865	SCREW	7	M8 X 16	
	14M7298	FLANGE NUT	7	M8	
8	03M7185	BOLT	1	M8 X 25	
	14M7298	FLANGE NUT	1	M8	
9	19M7866	SCREW	4	M8 X 20	
	14M7298	FLANGE NUT	4	M8	
10	H131526	ANGLE	1		
11	AH125685	PANEL	1		
12	H130425	ANGLE	1		
13	AH127837	STEP	1		
14	H134081	SUPPORT	1		

REAR LADDER AND LANDING  
HP4600 -UN-01JAN94



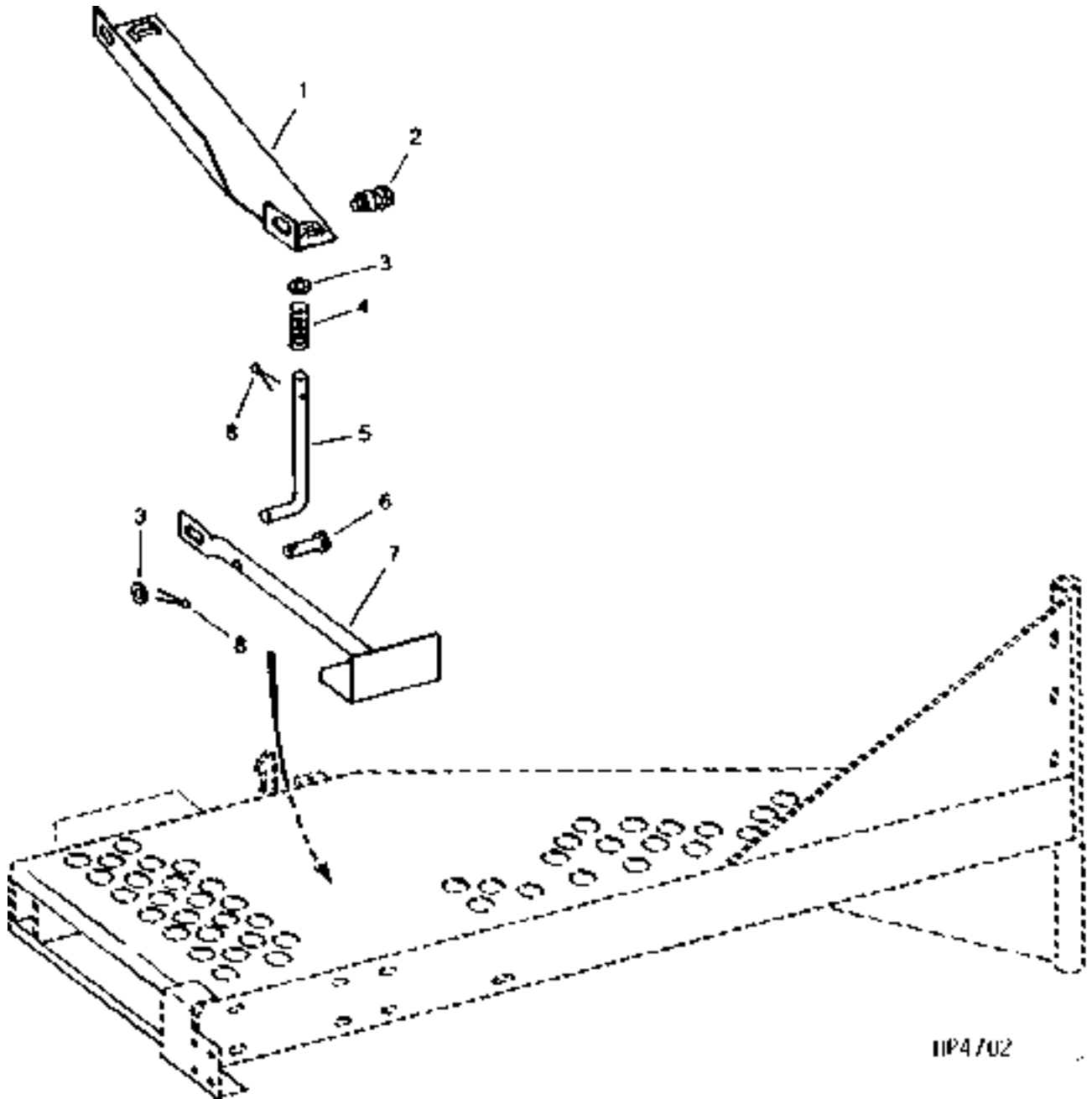
HP4600



## REAR LADDER AND LANDING - CONTINUED

KEY	PART NO.	PART NAME	QTY	SERIAL NO.	REMARKS
1	H130555	STRIP	4		
2	37M7060	SCREW	4	M4 X 10	
3	H141123	NUT	5	10 MM	
4	14M7296	FLANGE NUT	7	M10	
5	H129885	ANGLE	1		
6	AH137254	SUPPORT	1		
7	19M7851	SCREW	2	M20 X 60	
8	AH120216	ADJUSTER	1		
9	19M7784	SCREW	3	M10 X 20	
10	14M7296	FLANGE NUT	3	M10	
	19M7865	SCREW	4	M8 X 16	
	14M7298	FLANGE NUT	4	M8	
11	AH139782	LADDER	1		
12	C3203E	GRIP	1		
13	H120082	LATCH	1		
14	19M7774	SCREW	2	M6 X 12	
	14M7303	FLANGE NUT	2	M6	
15	AH130193	CHANNEL	1		
16	AH125788	BRACKET	1		
17	AH135298	PLATFORM	1		
18	H142035	CATCH	1		
	H142035	CATCH	1		
19	H133152	BRACKET	1		
20	03M7190	BOLT	2	M10 X 20	
	24M7178	WASHER	2	10.500 X 30 X 2.500 MM	
	14M7296	FLANGE NUT	2	M10	
21	03M7190	BOLT	2	M10 X 20	
22	19M7785	SCREW	5	M10 X 25	
23	H119411	PIN	2		
24	T40867	BUSHING	2		
25	Z39386	WASHER	1	1.614" X 2.165" X 0.079"	
26	19M7775	SCREW	2	M6 X 16	
	14M7303	FLANGE NUT	2	M6	
27	H129004	ANGLE	1		
28	A31867	LOCK NUT	1	M12	

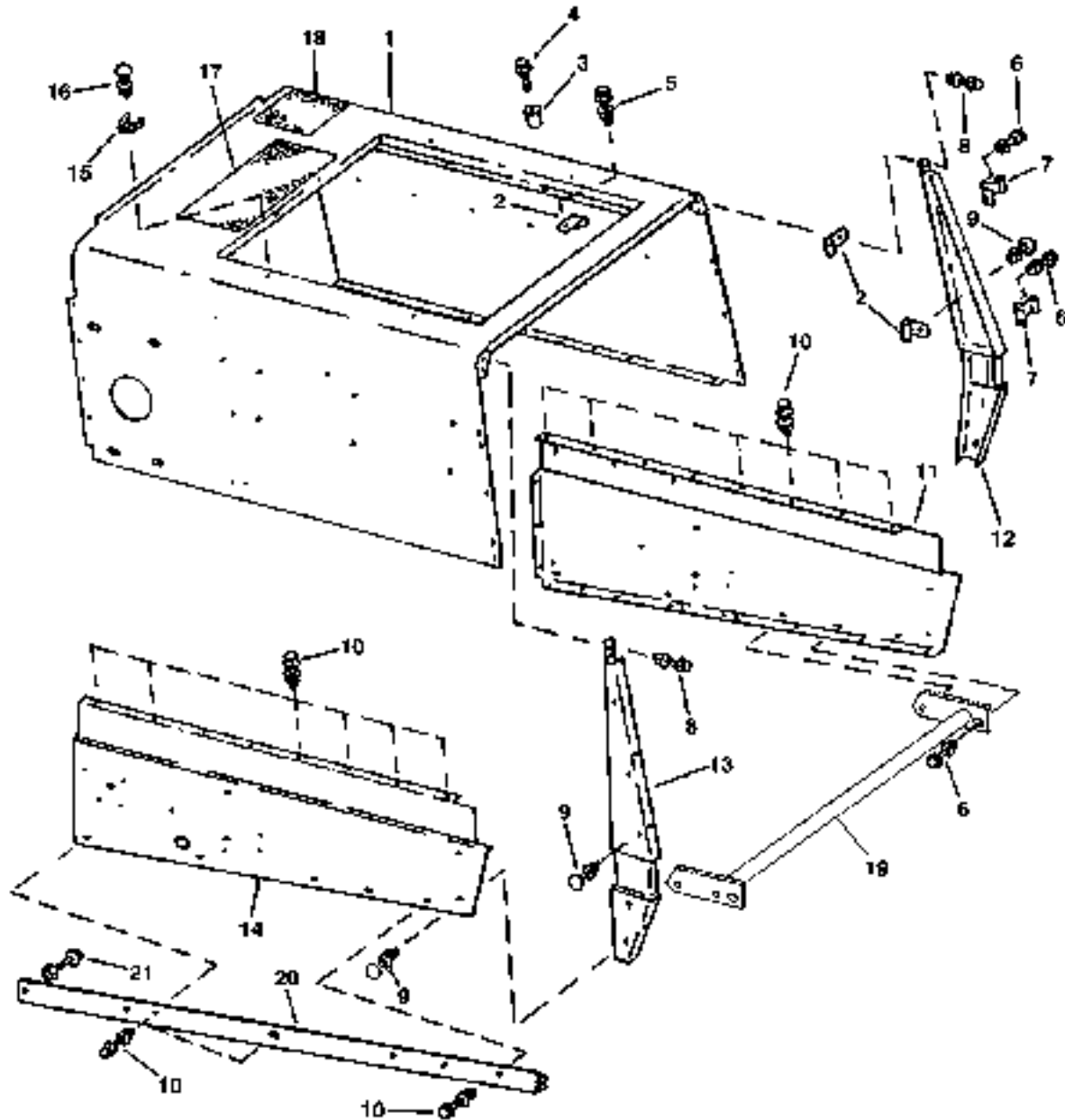
REAR LADDER LANDING LATCH ARM  
HP4702 -UN-01JAN94



## REAR LADDER LANDING LATCH ARM - CONTINUED

KEY	PART NO.	PART NAME	QTY	SERIAL NO.	REMARKS
1	H140881	CATCH	1		
2	19M7784	SCREW	2	M10 X 20	
	14M7296	FLANGE NUT	2	M10	
3	24H1341	WASHER	2	17/32" X 15/16" X 0.060"	
4	Y3082BN	SPRING	1		
5	H140872	PIN	1		
6	45M7088	PIN	1	10 X 55 MM, (SUB FOR 45M7054)	
7	AH135300	ARM	1		
8	11M7059	COTTER PIN	2	3.200 X 20 MM	

REAR HOOD  
HP6512 -UN-15JUL96

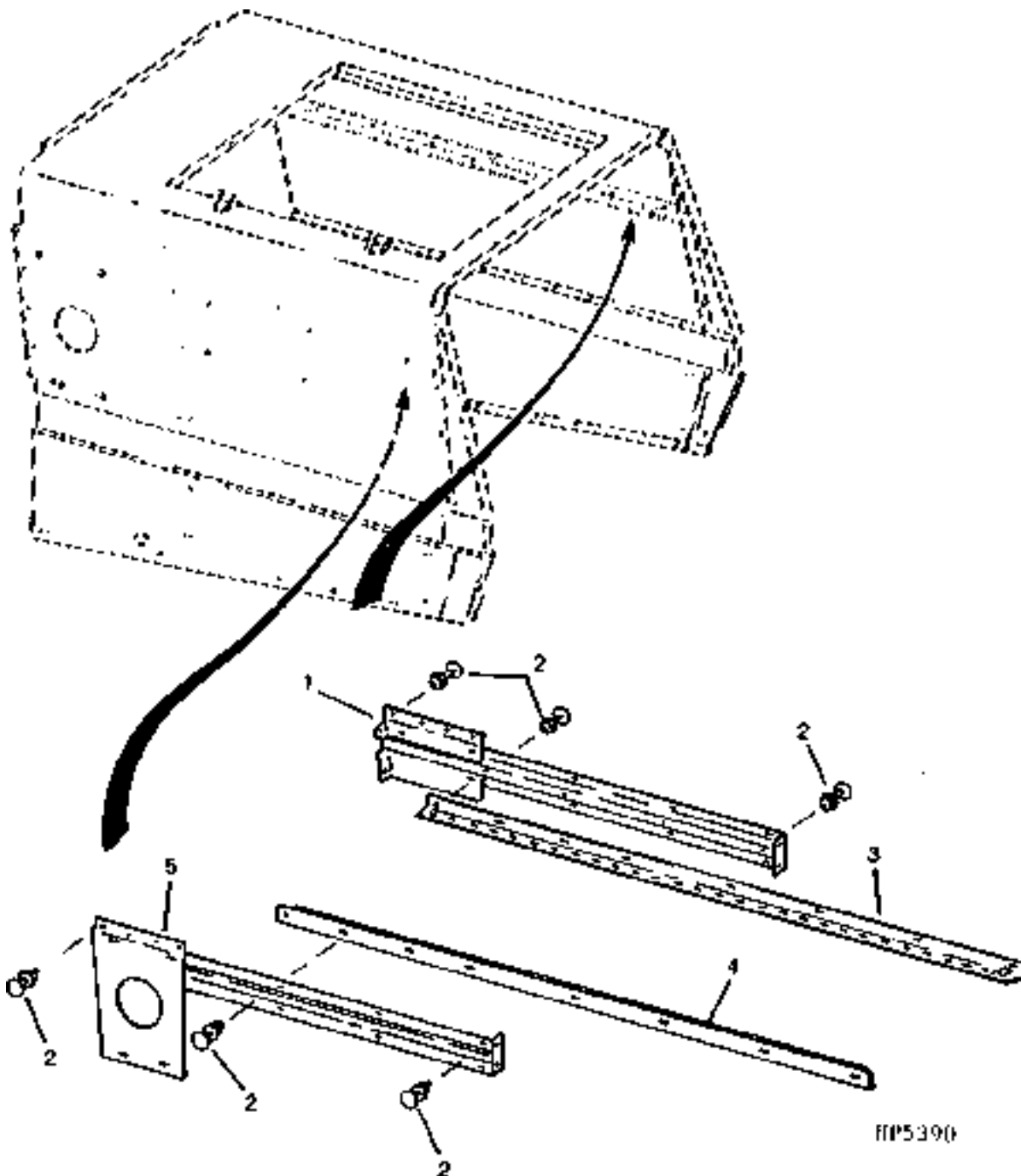


HP6512

## REAR HOOD - CONTINUED

KEY	PART NO.	PART NAME	QTY	SERIAL NO.	REMARKS
1	AH163646	HOOD	1		(SUB FOR AH136618, AH142012 AND AH153676)
2	AH89557	CLIP	5		WIRING HARNESS
3	H145552	NUT	2	-660400	
	.....	NUT	2	660401-	
4	19M7808	SCREW	2		M10 X 65
5	19M7866	SCREW	3		M8 X 20
	14M7298	FLANGE NUT	3		M8
6	19M7835	SCREW	8		M10 X 35
	14M7296	FLANGE NUT	8		M10
7	AH138317	HINGE	2		REAR DOOR
8	19M7785	SCREW	4		M10 X 25
	14M7296	FLANGE NUT	4		M10
9	03M7191	BOLT	7		M10 X 25
	14M7296	FLANGE NUT	7		M10
10	19M7867	SCREW	18		M8 X 25
	14M7298	FLANGE NUT	18		M8
11	H138453	SHEET	1		LOWER RIGHT HAND
12	AH138292	SUPPORT	1		RIGHT-HAND
13	AH141864	SUPPORT	1		LEFT-HAND
14	H138452	SHEET	1		LOWER LEFT-HAND
15	H141659	BRACKET	2		UPPER ACCESS DOOR
16	03M7307	BOLT	2		M10 X 25
	14M7296	FLANGE NUT	2		M10
17	H136014	MAT	1		
18	H136015	MAT	1		
19	AH140943	BRACKET	1		
20	AH154083	SUPPORT	1		(SUB FOR AH135150) L.H.
	AH154086	SUPPORT	1		(SUB FOR AH135151) R.H.
21	19M7809	SCREW	4		M10 X 70
	14M7400	LOCK NUT	4		M10

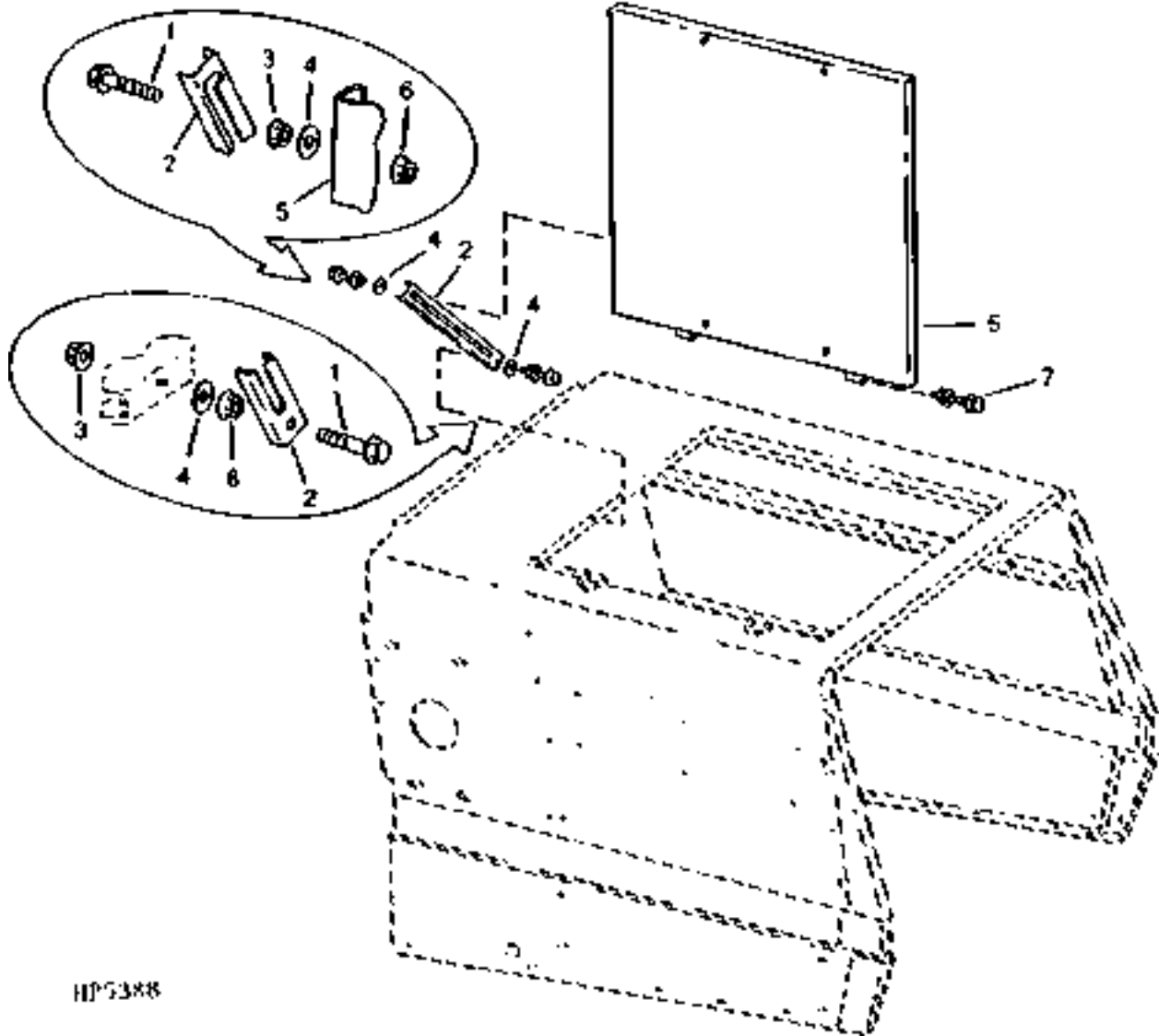
**MODULE MOUNTING TRACKS AND SUPPORTS**  
HP5390 -UN-01JAN94



## MODULE MOUNTING TRACKS AND SUPPORTS - CONTINUED

KEY	PART NO.	PART NAME	QTY	SERIAL NO.	REMARKS
1	AH133303	SUPPORT	1		RIGHT-HAND
2	03M7307	BOLT	31		M10 X 25
	14M7296	FLANGE NUT	31		M10
3	AH137408	ANGLE	1		RIGHT-HAND
4	AH137409	ANGLE	1		LEFT-HAND
5	AH135182	SUPPORT	1		LEFT-HAND

REAR HOOD ACCESS DOOR AND STOP  
HP5388 -UN-01JAN94



HP5388



# 3110

SEPARATOR SHELL

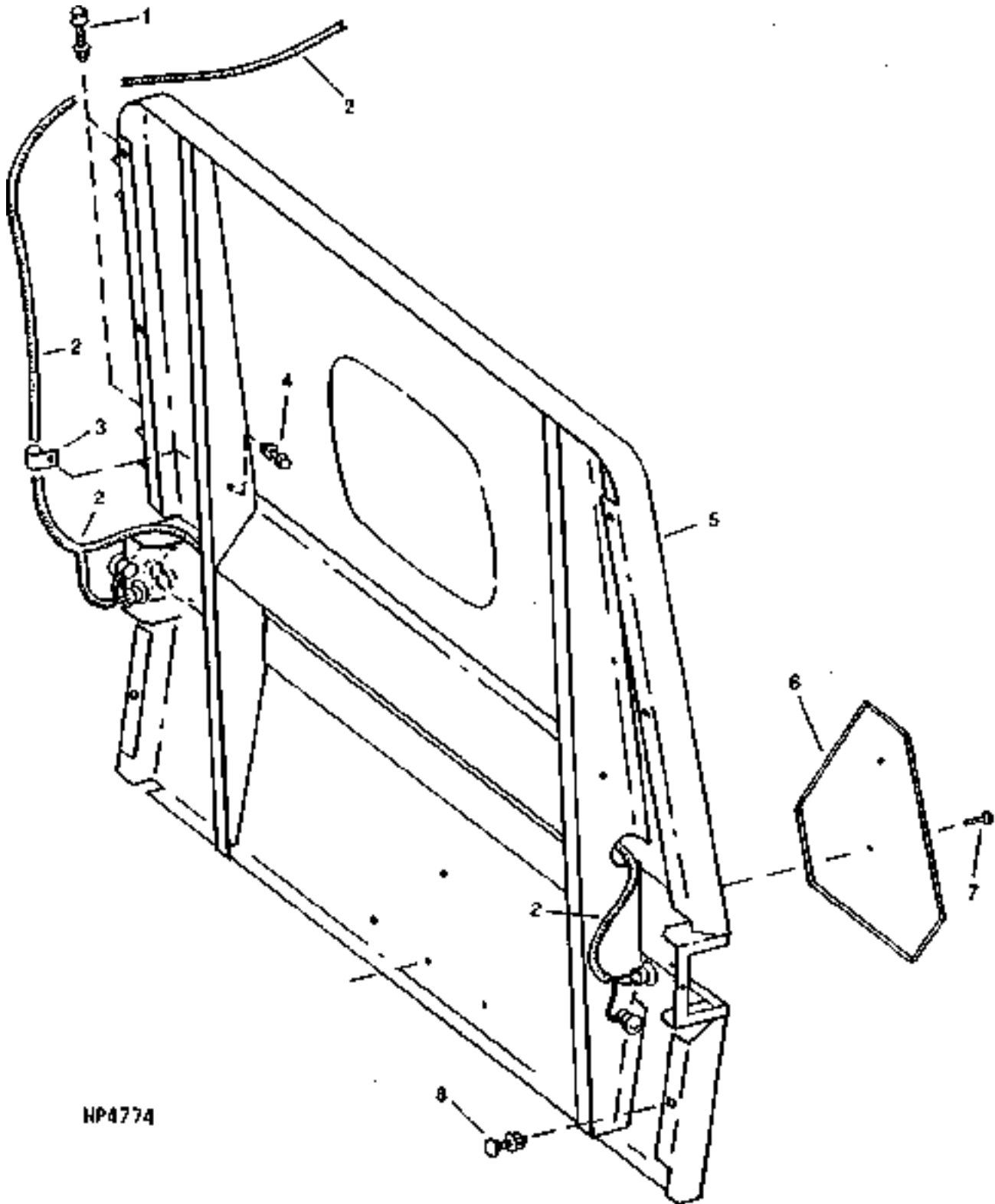
## REAR HOOD ACCESS DOOR AND STOP - CONTINUED

KEY	PART NO.	PART NAME	QTY	SERIAL NO.	REMARKS
1	19M7868	SCREW	2		
2	H132511	STOP	1		
3	14M7396	LOCK NUT	2		
4	24M7207	WASHER	2		
5	AH139202	DOOR	1		
6	14M7298	FLANGE NUT	2		
7	19M7808	SCREW	2		
	14M7400	LOCK NUT	2		

# 3111

SEPARATOR SHELL

REAR HOOD DOOR  
HP4774 -UN-01JAN94

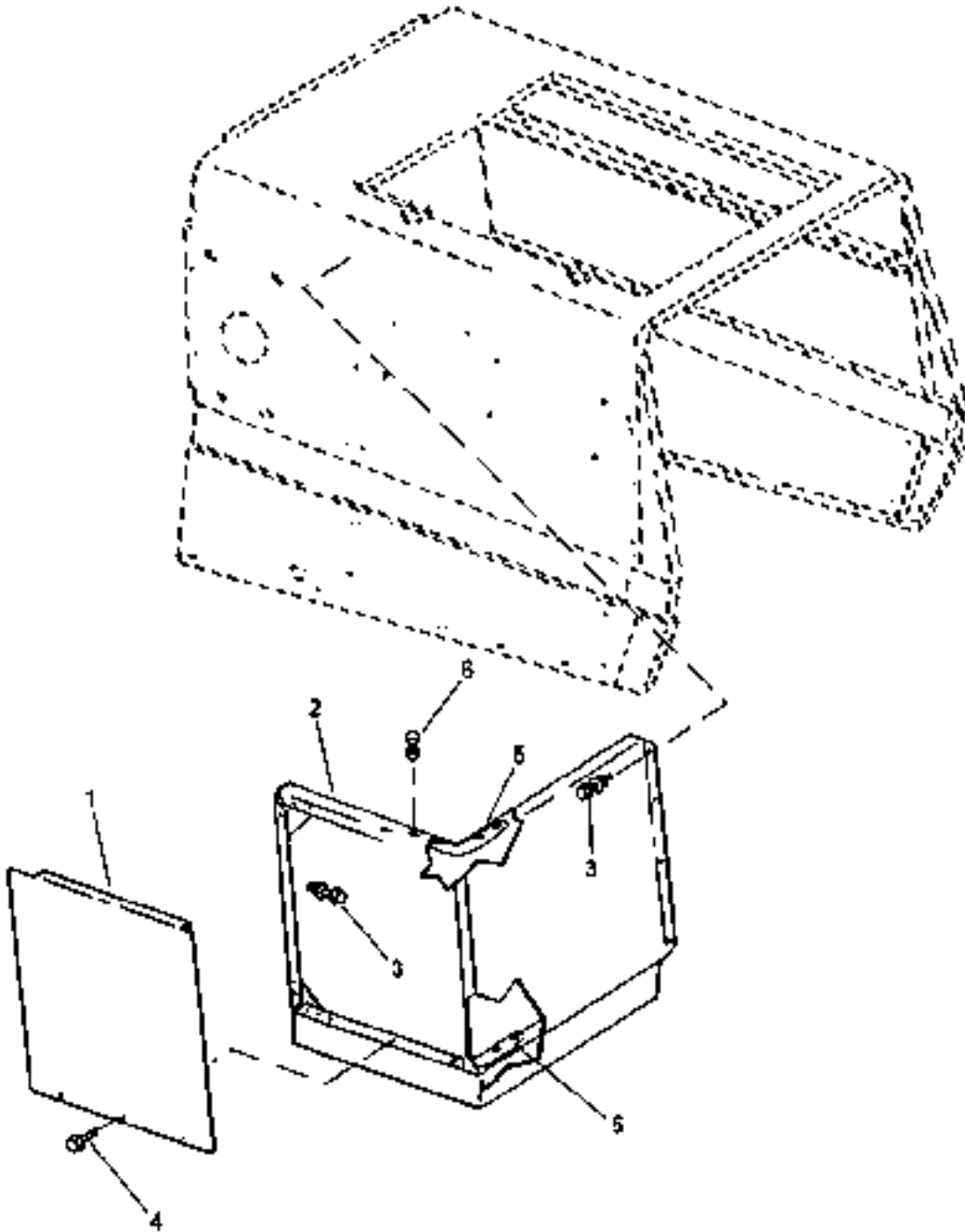


HP4774

## REAR HOOD DOOR - CONTINUED

KEY	PART NO.	PART NAME	QTY	SERIAL NO.	REMARKS
1	19M7808	SCREW	2	M10 X 65	
	14M7400	LOCK NUT	2	M10	
2	AH134238	WIRING HARNESS	1		
3	AH89557	CLIP	2		
4	19M7867	SCREW	1	M8 X 25	
	14M7298	FLANGE NUT	1	M8	
5	AH141865	DOOR	1	(SUB FOR AH136608)	
6	H134667	DEFLECTOR	1		
	TY24479	SMV EMBLEM	1	(SUB FOR JD5401 OR JD5400)	
7	37M7131	SCREW	2	M6 X 20	
8	03M7183	BOLT	3	M8 X 16	
	14M7298	FLANGE NUT	3	M8	

**SEPARATOR DRIVE SIDE SHIELDS**  
HP7382 -UN-24JAN98



HP7382

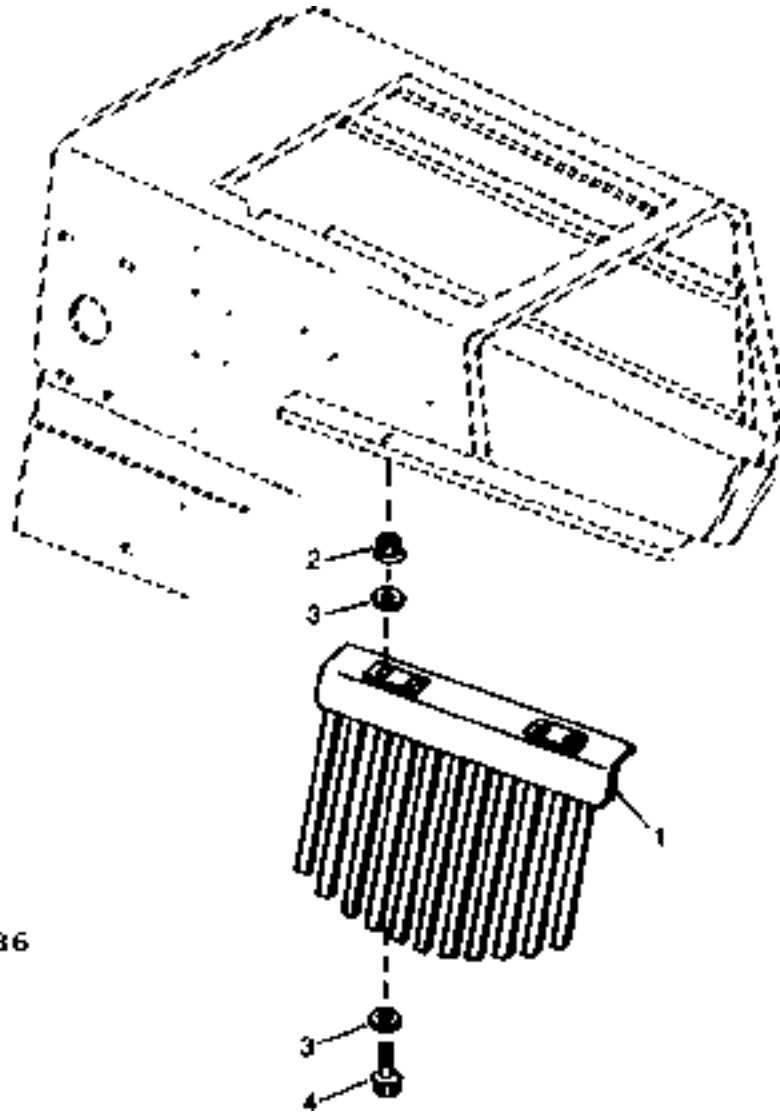
# 3114

SEPARATOR SHELL

## SEPARATOR DRIVE SIDE SHIELDS - CONTINUED

KEY	PART NO.	PART NAME	QTY	SERIAL NO.	REMARKS
1	H144181	SHIELD	1		ACCESS
2	AH158598	SHIELD	1		(SUB FOR AH156191)
3	19M7865	SCREW	10		M8 X 16
	14M7298	FLANGE NUT	10		M8
4	37M7058	SCREW	3		M8 X 20, SELF TAPPING
5	H150749	REINFORCEMENT	2	29SEP7-	
6	19M7866	SCREW	8	29SEP7-	M8 X 20
	14M7298	FLANGE NUT	8	29SEP7-	M8

WINDROW ATTACHMENT  
(660714- )  
HP6186 -UN-05OCT95



HP6186

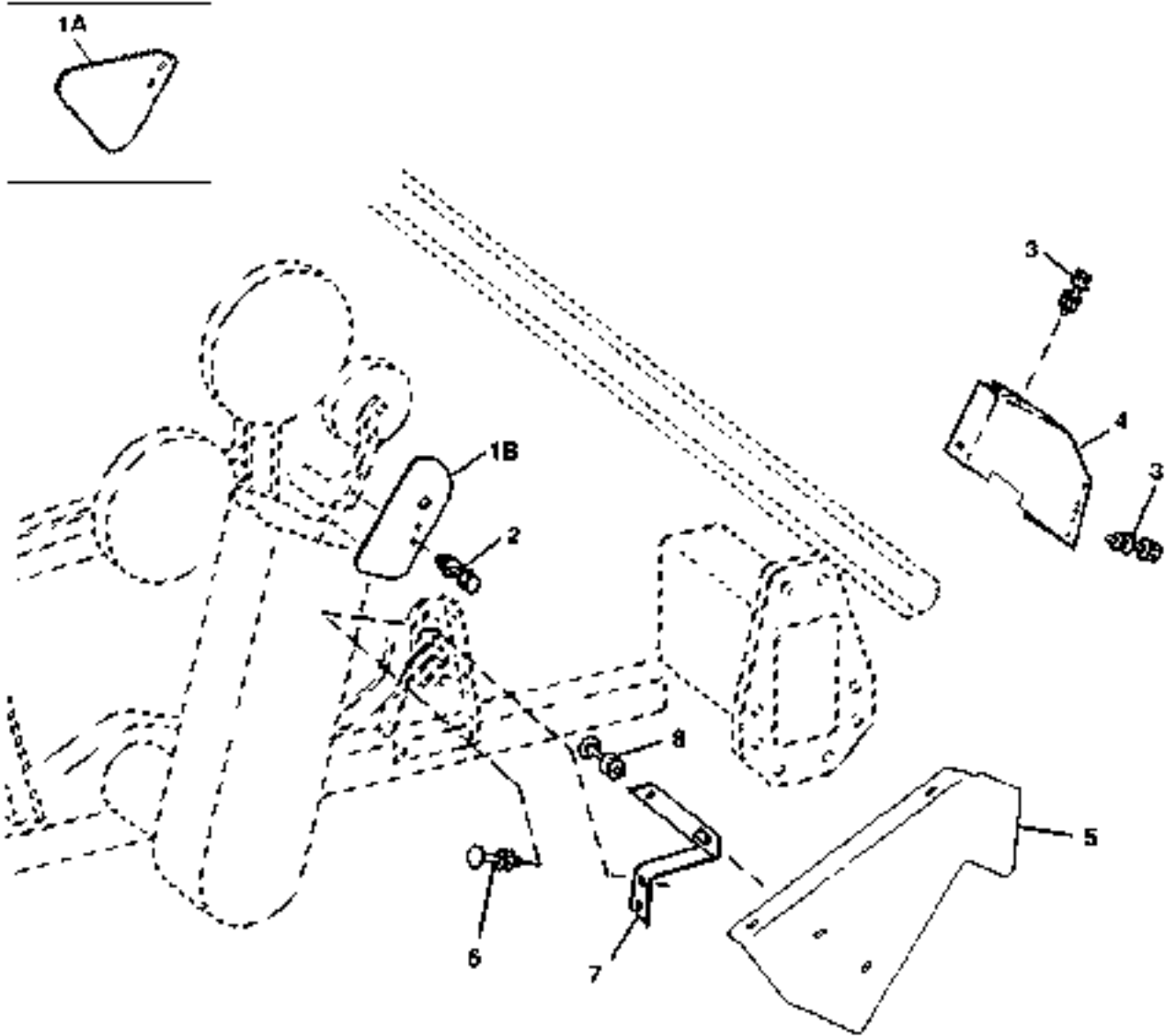
# 3116

SEPARATOR SHELL

**WINDROW ATTACHMENT - CONTINUED**  
(660714- )

KEY	PART NO.	PART NAME	QTY	SERIAL NO.	REMARKS
1	AH147061	BRACKET	2		
2	14M7296	FLANGE NUT	4	M10	
3	24M7180	WASHER	8	13 X 37 X 3 MM (0.512" X 1.457" X 0.118")	
4	19M7805	SCREW	4	M10 X 45	
..	<b>BH81126</b>	<b>COMPLETE GOODS/SHIP. BUNDLE</b>	1	<b>WINDROW FORMING BUNDLE</b>	

AUGER DRIVE SHIELDS (R.H. SIDE)  
HP9378 -UN-03DEC99



HP9378



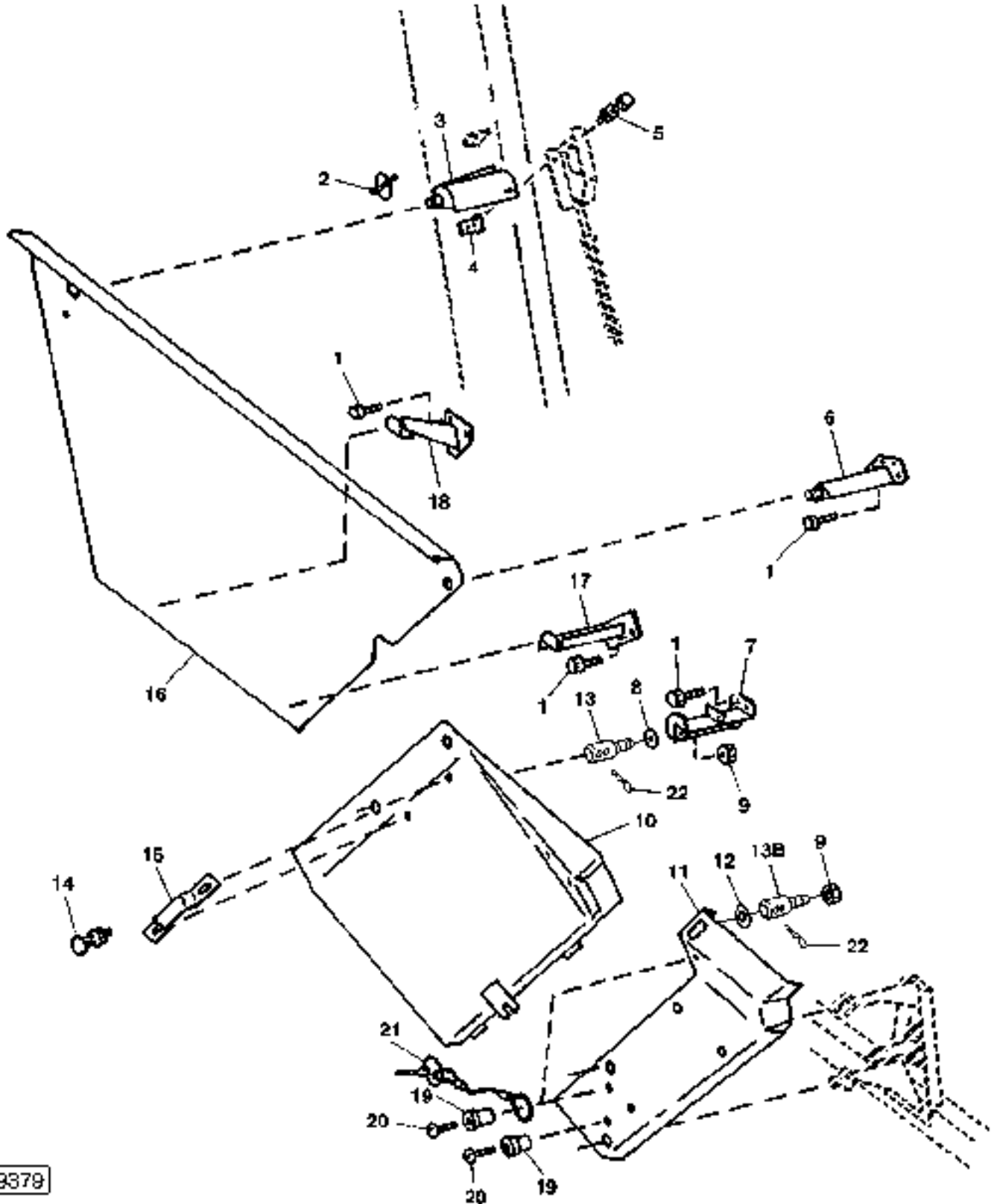
## AUGER DRIVE SHIELDS (R.H. SIDE) - CONTINUED

KEY	PART NO.	PART NAME	QTY	SERIAL NO.	REMARKS
1A	H128884	SHIELD	1	-645400	
1B	H141772	SHIELD	1		
2	19M3131	CAP SCREW	2	M8 X 25	
	14M7298	FLANGE NUT	2	M8	
3	19M7865	SCREW	4	M8 X 16	
	14M7298	FLANGE NUT	4	M8	
4	AH146783	SHIELD	1	(SUB FOR AH135633)	
5	H141770	SHIELD	1		
6	03M7184	BOLT	2	M8 X 20	
	14M7298	FLANGE NUT	2	M8	
7	H146756	STRAP	1	(SUB FOR H143331)	
8	03M7183	BOLT	2	M8 X 16	
	14M7298	FLANGE NUT	2	M8	
..	H141771	SUPPORT	1		

# 3119

SEPARATOR SHELL

MUD AND FAN DRIVE SHIELDS (L.H. SIDE)  
HP9379 -UN-02DEC99

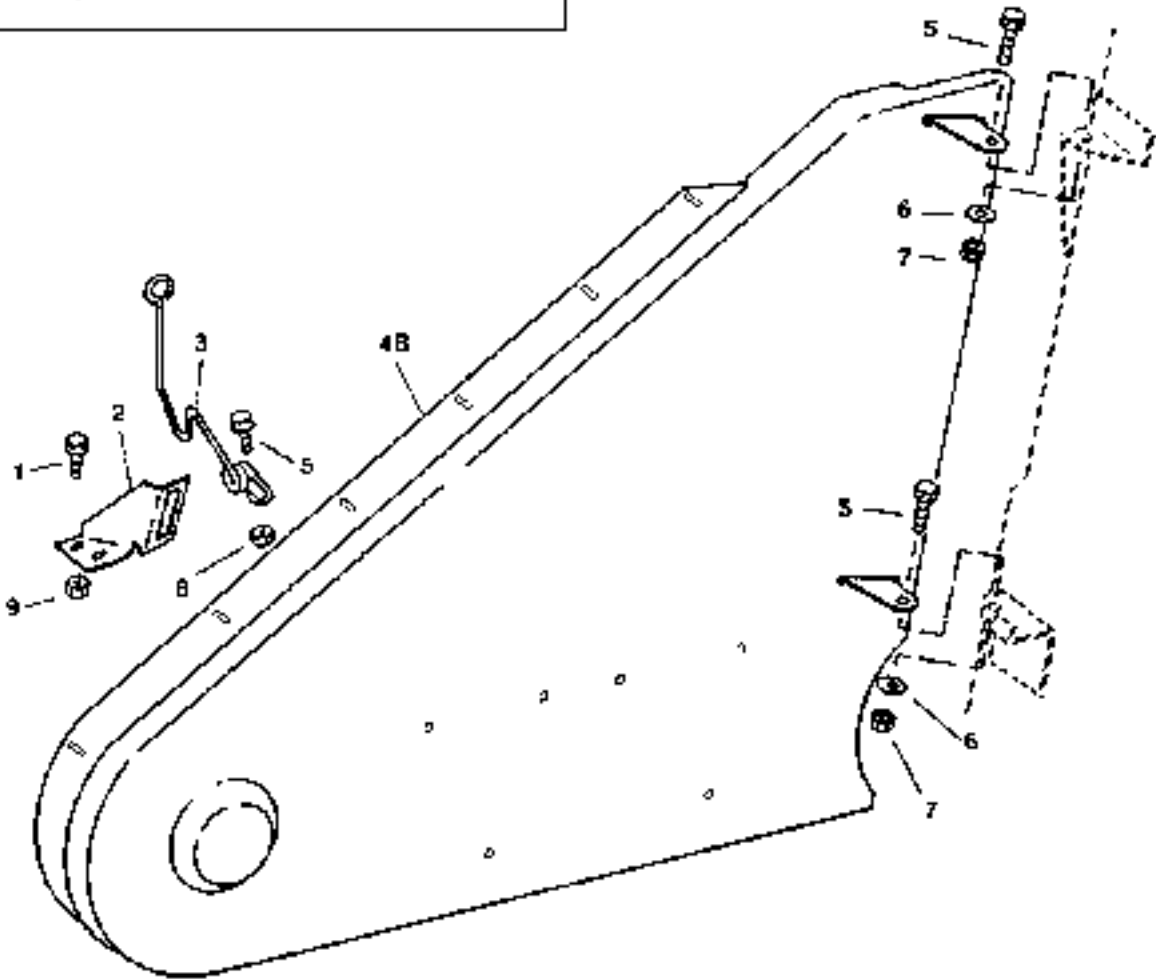
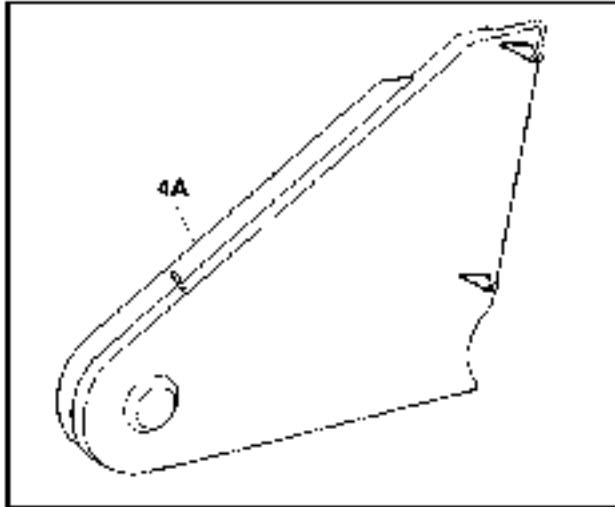


HP9379

## MUD AND FAN DRIVE SHIELDS (L.H. SIDE) - CONTINUED

KEY	PART NO.	PART NAME	QTY	SERIAL NO.	REMARKS
1	19M7865	SCREW	14		
2	M72598	QUICK LOCK PIN	6		
3	AH130941	BRACKET	1		
4	R46414	CLAMP	1		
5	19M7865	SCREW	2		M8 X 16
	14M7298	FLANGE NUT	2		M8
6	AH130945	BRACKET	1		
7	AH130944	BRACKET	1		
8	24M7178	WASHER	1		10.500 X 30 X 2.500 MM
9	14M7296	FLANGE NUT	2		M10
10	AH125820	SHIELD	1		CENTER
11	AH137201	SHIELD	1		FAN DRIVE
12	24H1314	WASHER	1		13/32" X 1-3/4" X 7/64"
13	H154757	STUD	2		(SUB FOR H141975)
14	03M7183	BOLT	2		M8 X 16
	14M7298	FLANGE NUT	2		M8
15	H85184	HANDLE	1		
16	H140300	SHIELD	1		FRONT
17	AH128914	BRACKET	1		
18	AH130197	BRACKET	1		
19	M93425	SPACER	2	650401-	
20	21M7125	SCREW	2	650401-	
21	AH135290	QUICK LOCK PIN	2	650401-	
22	A15147	SPRING LOCKING PIN	2	665401-	

DRIVE SHIELD (R.H. REAR)  
HP6540 -UN-23AUG96

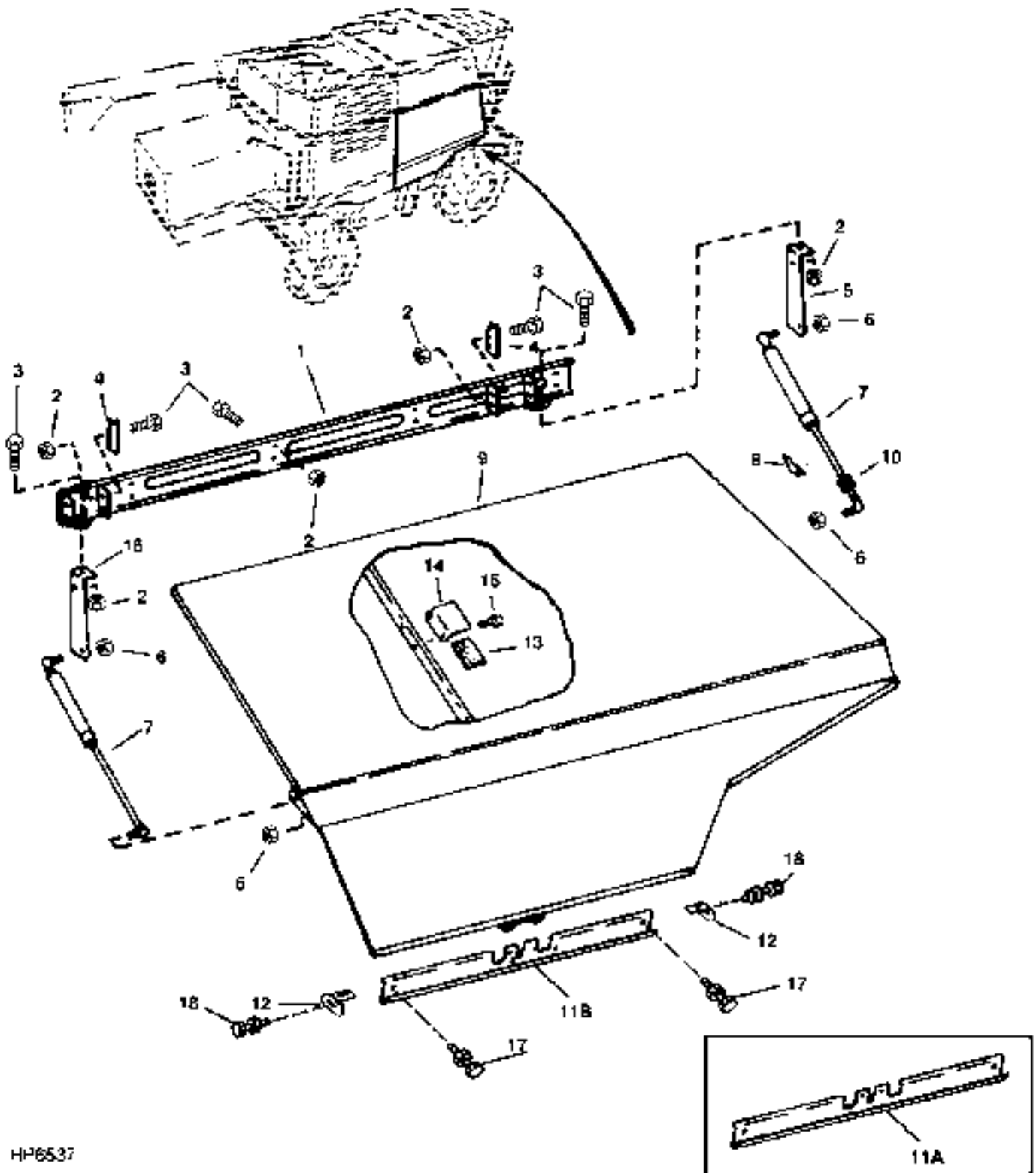


HP6540

## DRIVE SHIELD (R.H. REAR) - CONTINUED

KEY	PART NO.	PART NAME	QTY	SERIAL NO.	REMARKS
1	19M7866	SCREW	2		
2	H141813	BRACKET	1		
3	H130930	SPRING	1		
4A	AH123921	SHIELD	1		
4B	AH146361	SHIELD	1	3JAN96-	
5	19M7785	SCREW	3		M10 X 25
6	24M7028	WASHER	2		10.500 X 20 X 2 MM
7	14M7400	LOCK NUT	1		M10
8	14M7296	FLANGE NUT	1		M10
9	19M7298	CAP SCREW	2		M8 X 35
..	H147137	SHIELD	1	-670400	RUBBER SHIELD (FOR USE IN CORN) ALSO REQUIRES (7)19M7775, (7) 24M7207 AND (7) 14M7303
..	H147137	SHIELD	1	670401-	

R.H. SERVICE ACCESS SHIELD  
HP6537 -UN-23AUG96



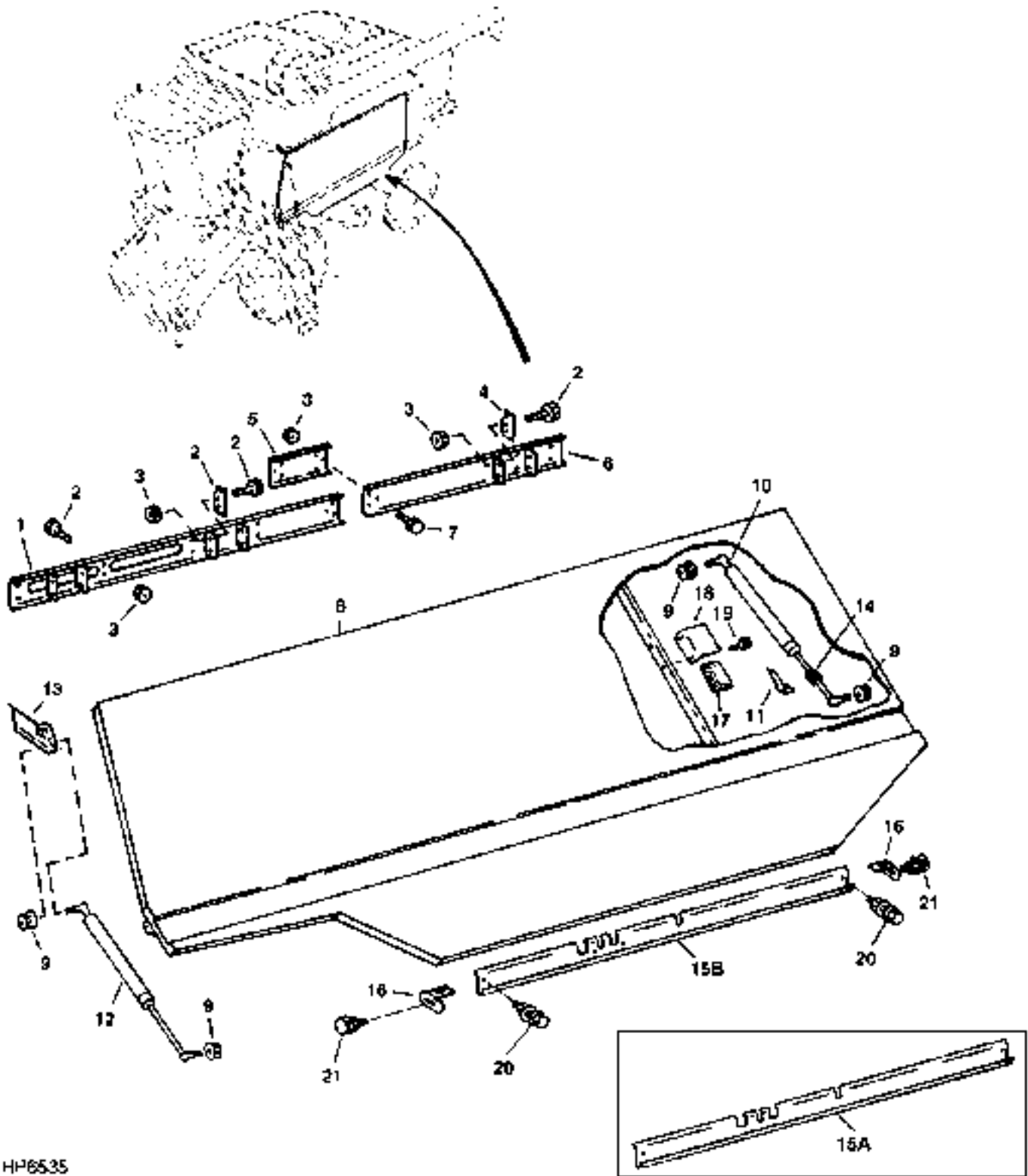
HP6537

## R.H. SERVICE ACCESS SHIELD - CONTINUED

KEY	PART NO.	PART NAME	QTY	SERIAL NO.	REMARKS
1	AH166713	CHANNEL	1		(SUB FOR AH125306)
2	14M7296	FLANGE NUT	10		M10
3	19M7784	SCREW	10		M10 X 20
4	H125537	PLATE	2		
5	H139056	BRACKET	1		
6	14M7298	FLANGE NUT	4		M8
7	AH128596	GAS OPERATED CYLINDER	2	-660400	
	AH143219	SPRING	2	660401-660632	(SUB AH128596)
	AH128596	GAS OPERATED CYLINDER	2		
8	H135965	STOP	1		
9	AH127716	DOOR	1		
10	M68701	GROMMET	1		
11A	H130039	DEFLECTOR	1		
11B	H152048	DEFLECTOR	1	3JAN96-	
12	H132822	ANGLE	2		
13	H143453	FOAM PAD	2		
14	H143454	BRACKET	2		
15	37M7083	SCREW	4		M8 X 12
16	H129833	BRACKET	1		
17	19M7865	SCREW	2		M8 X 16
	14M7298	FLANGE NUT	2		M8
18	03M7183	BOLT	2		M8 X 16
	14M7298	FLANGE NUT	2		M8

# 3J1

L.H. SERVICE ACCESS SHIELD  
HP6535 -UN-23AUG96



HP6535



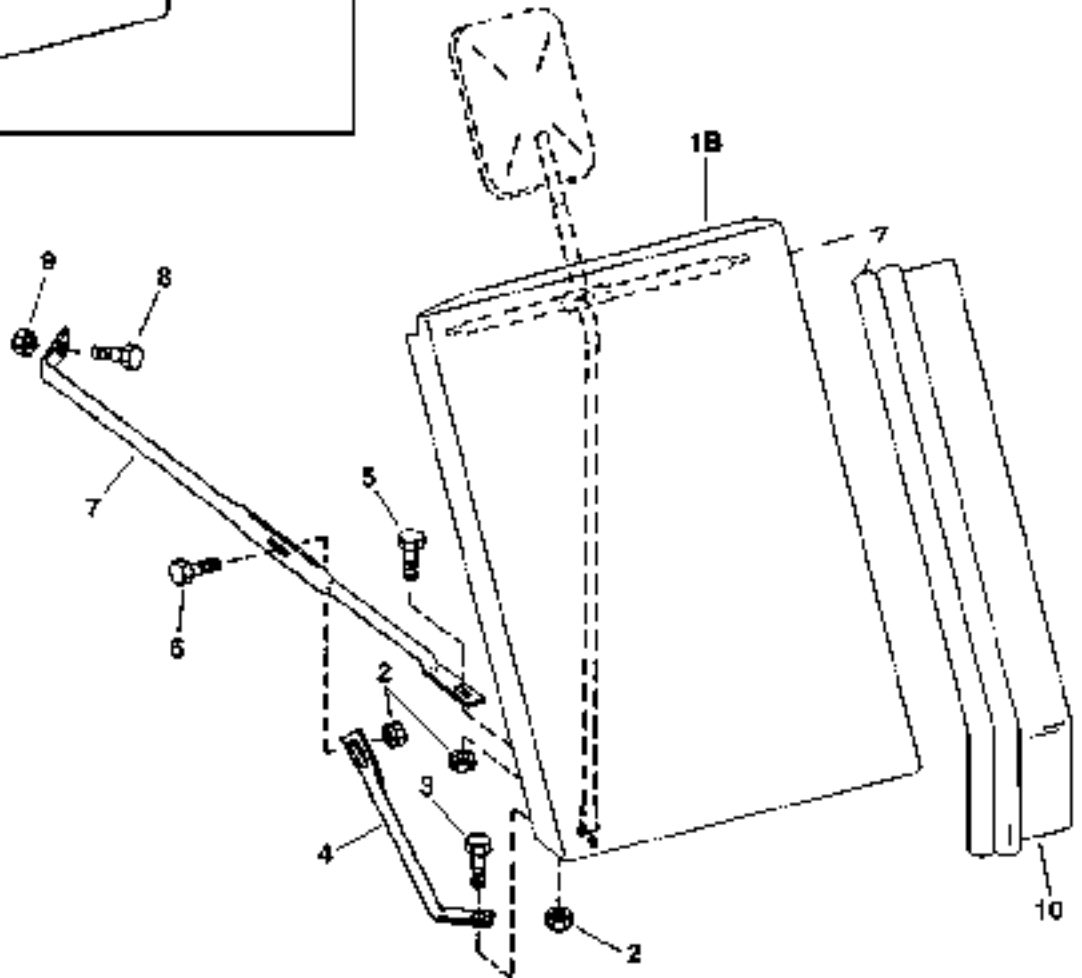
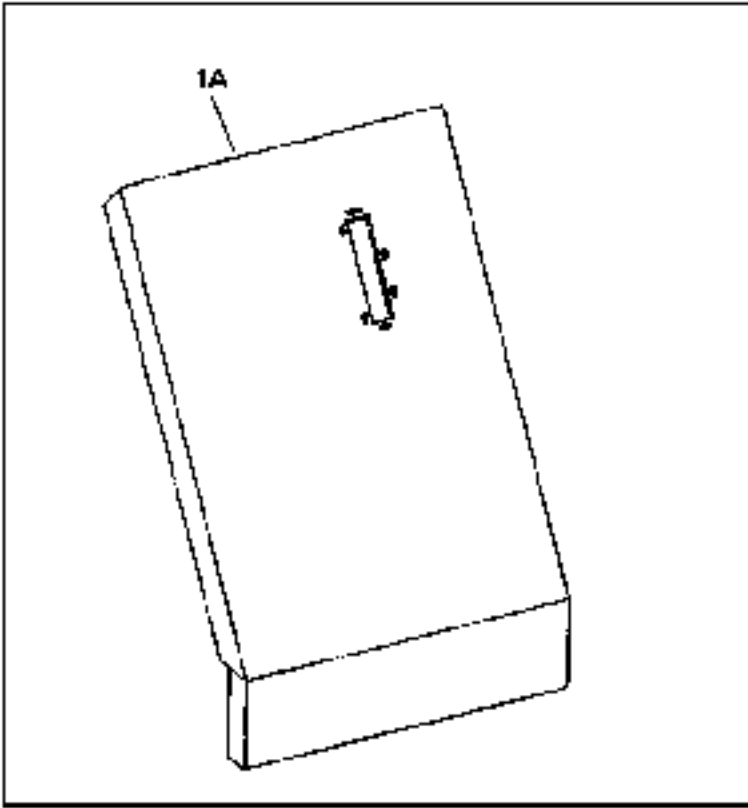
# 3J2

SEPARATOR SHELL

## L.H. SERVICE ACCESS SHIELD - CONTINUED

KEY	PART NO.	PART NAME	QTY	SERIAL NO.	REMARKS
1	AH166714	CHANNEL	1		(SUB FOR AH125478)
2	19M7785	SCREW	12		M10 X 25
3	14M7296	FLANGE NUT	18		M10
4	H125537	PLATE	2		
5	H132008	CHANNEL	1		
6	AH127275	CHANNEL	1		
7	19M7784	SCREW	6		M10 X 20
8	AH127704	DOOR	1		
9	14M7298	FLANGE NUT	4		M8
10	AH128598	GAS OPERATED CYLINDER	1	-660400	REAR
	AH143218	SPRING	1	660401-660665	(SUB AH128598)
	AH128598	GAS OPERATED CYLINDER	1		
11	H135965	STOP	1		
12	AH128597	GAS OPERATED CYLINDER	1	-660400	FRONT
	AH143033	SPRING	1	660401-660650	(SUB AH128597)
	AH128597	GAS OPERATED CYLINDER	1		
13	H127677	BRACKET	1		
14	M68701	GROMMET	1		
15A	H130521	DEFLECTOR	1		
15B	H152047	DEFLECTOR	1	3JAN96-	
16	H132822	ANGLE	2		
17	H143453	FOAM PAD	3		
18	H143454	BRACKET	3		
19	37M7083	SCREW	6		M8 X 12
20	19M7865	SCREW	2		M8 X 16
	14M7298	FLANGE NUT	2		M8
21	03M7183	BOLT	2		M8 X 16
	14M7298	FLANGE NUT	2		M8

**FRONT CORNER SHEET, RIGHT HAND**  
HP6742 -UN-26JUN97



HP6742

# 3J4

SEPARATOR SHELL

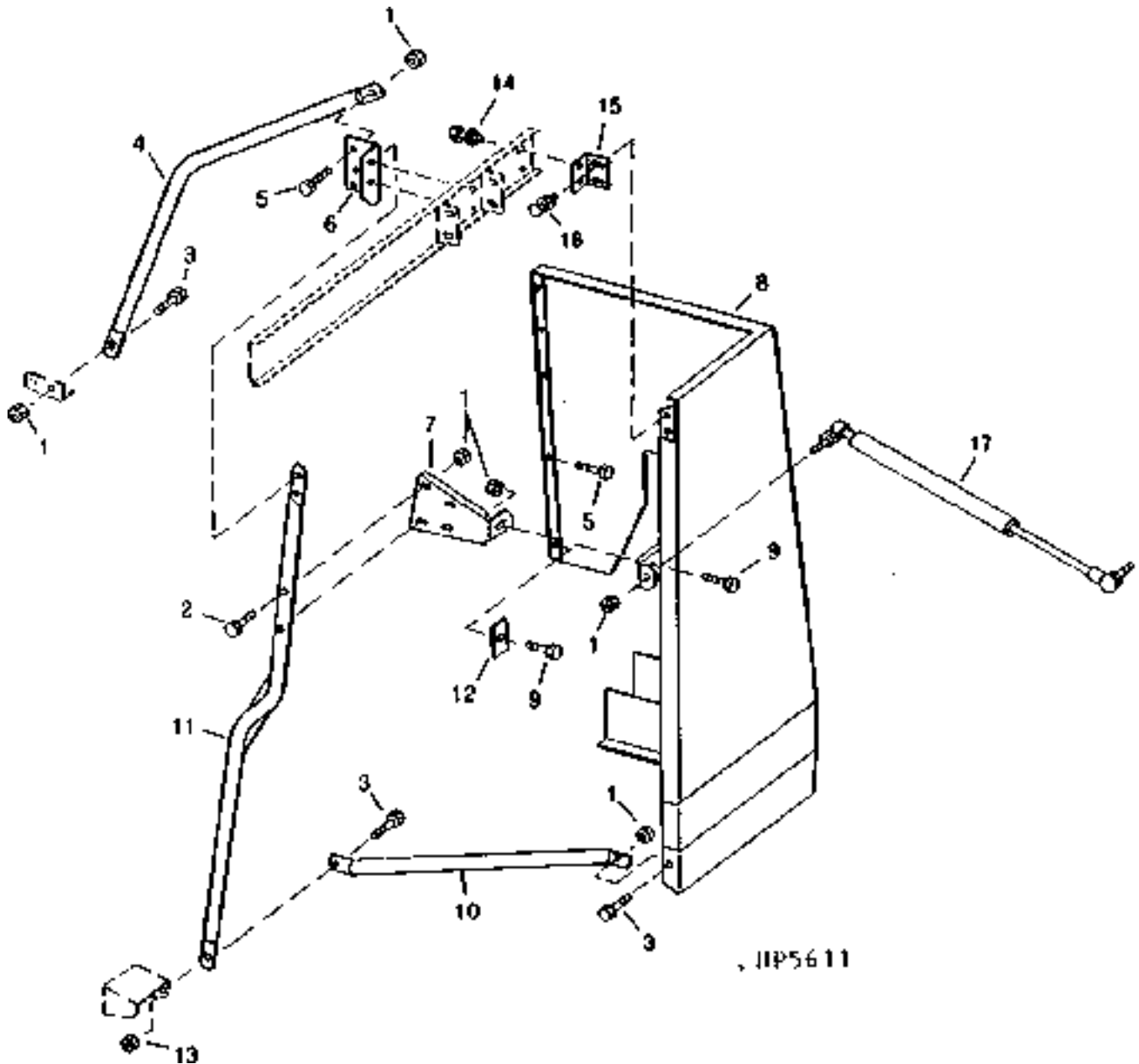
**FRONT CORNER SHEET, RIGHT HAND - CONTINUED**

KEY	PART NO.	PART NAME	QTY	SERIAL NO.	REMARKS
1A	AH141178	PANEL	1	-29SEP7	
1B	AH147092	PANEL	1	29SEP7-	
2	14M7298	FLANGE NUT	3		M8
3	19M7866	SCREW	1		M8 X 20
4	H127410	BRACE	1		
5	19M7865	SCREW	1		M8 X 16
6	19M7867	SCREW	1		M8 X 25
7	H127408	BRACE	1		
8	19M7785	SCREW	1		M10 X 25
9	14M7296	FLANGE NUT	1		M10
10	AH139393	SEAL	1		

# 3J5

SEPARATOR SHELL

REAR CORNER SHEET, LEFT HAND  
HP5611 -UN-01JAN94



HP5611

# 3J6

SEPARATOR SHELL

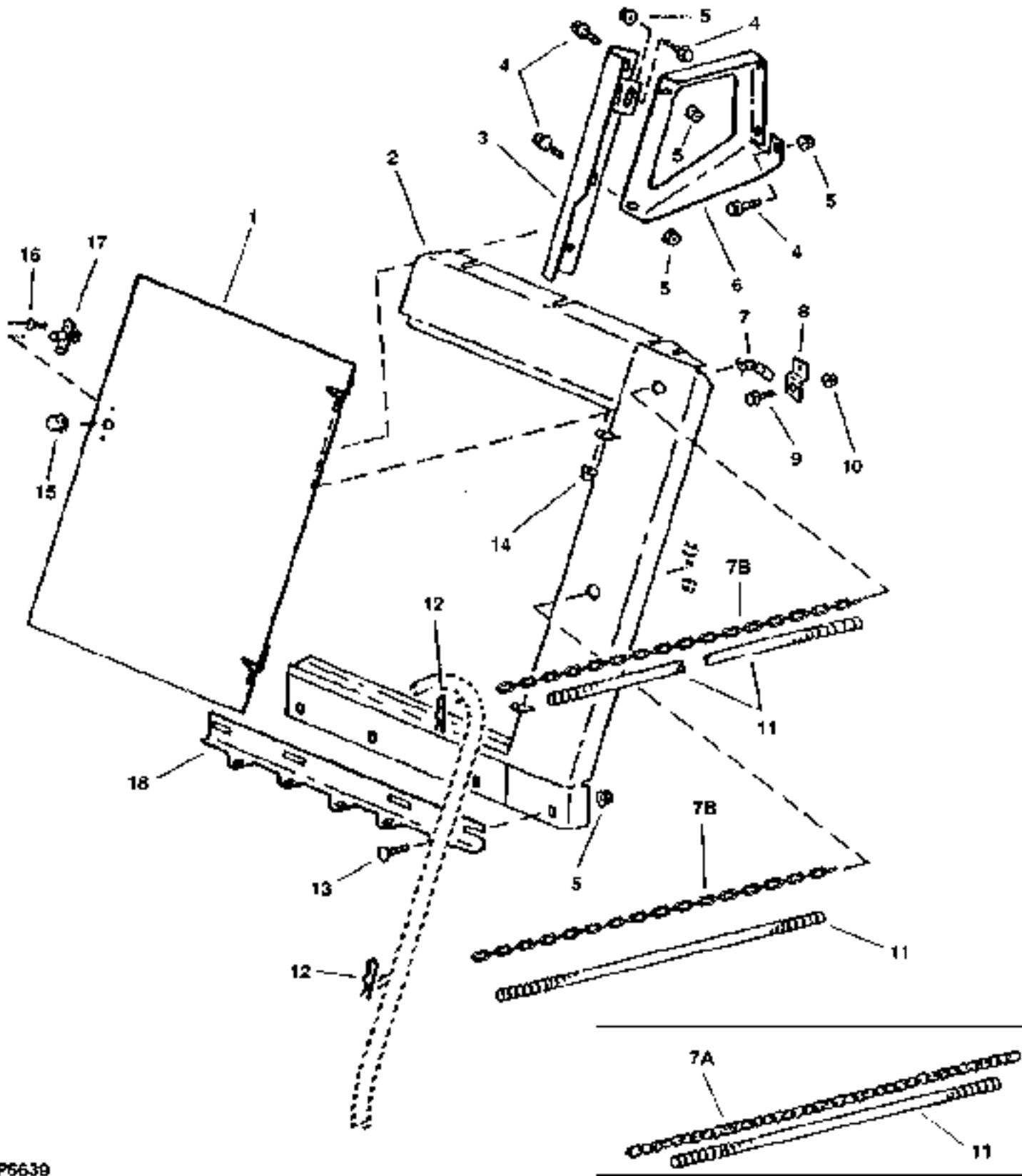
**REAR CORNER SHEET, LEFT HAND - CONTINUED**

KEY	PART NO.	PART NAME	QTY	SERIAL NO.	REMARKS
1	14M7298	FLANGE NUT	6	M8	
2	19M8317	SCREW	2	M8 X 40	
	19M8318	SCREW	2	M8 X 45	
3	19M7868	SCREW	3	M8 X 30	
4	H140858	SUPPORT	1		
5	19M7866	SCREW	6	M8 X 20	
6	H131543	BRACKET	1		
7	H144029	BRACKET	1		
8	AH156126	PANEL	1	(SUB FOR AH137958 OR AH148564)	
9	19M7867	SCREW	6	M8 X 25	
10	H132949	BRACE	1		
11	AH137807	BRACE	1		
12	H137534	STRAP	5		
13	14M7396	LOCK NUT	1	M8	
14	19M7785	SCREW	2	M10 X 25	
	14M7296	FLANGE NUT	2	M10	
15	H126672	BRACKET	1		
16	19M7785	SCREW	2		
	14M7296	FLANGE NUT	2		
17	AH128597	GAS OPERATED CYLINDER	1	(SUB FOR AH143033) (FRONT)	
	AH128598	GAS OPERATED CYLINDER	1	(SUB FOR AH143218) (REAR)	

# 3J7

SEPARATOR SHELL

L.H. FRONT CORNER SHEET AND DOOR  
HP6639 -UN-10FEB97



HP6639

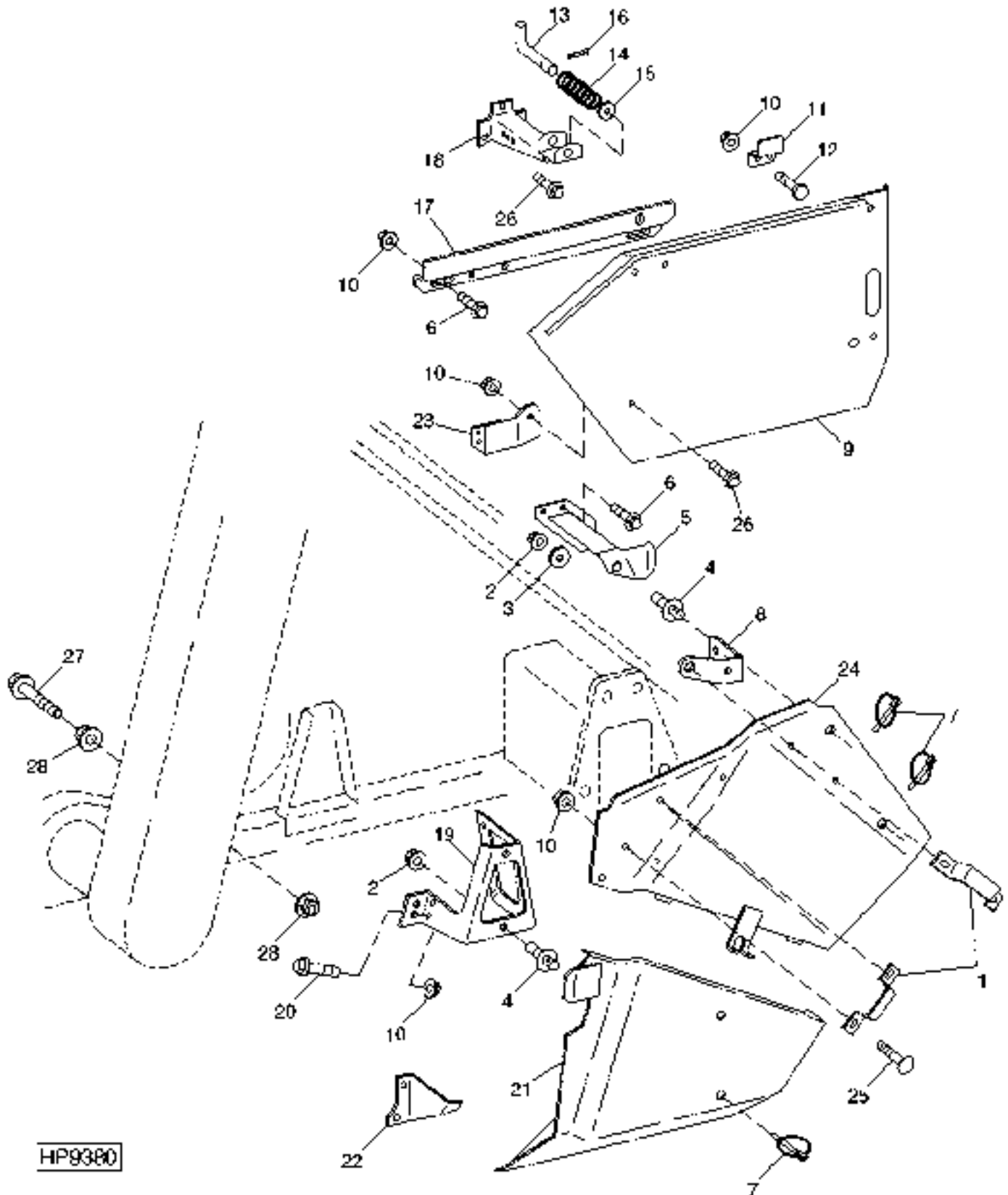
## LEFT - HAND FRONT CORNER SHEET AND DOOR - CONTINUED

KEY	PART NO.	PART NAME	QTY	SERIAL NO.	REMARKS
1	AH125641	DOOR	1		
2	AH125640	PANEL	1	-650400	
	AH141743	PANEL	1	650401-	
3	AH125642	ANGLE	1	-665574	
	H130364	ANGLE	1	665575-	
4	19M7865	SCREW	9		M8 X 16
5	14M7298	FLANGE NUT	10		M8
6	H130363	BRACKET	1		
7	AH130393	SWAY CHAIN	2		(SUB AN152995)
	AN152995	LINK CHAIN	2	-660555	58.50" - 75 LINKS, (USE WITH M2517T)
	AH146041	SAFETY CHAIN	2	660556-	34 LINKS
8	H131628	BRACKET	1		
9	19M7775	SCREW	1		M6 X 16
10	14M7303	FLANGE NUT	1		M6
11	H134306	TUBE	2	-655649	(SUB AH145703)
	AH145703	SAFETY CHAIN	2	-660400	(SUB AH146041)
	AH146041	SAFETY CHAIN	2		
12	B32630	SPRING LOCKING PIN	2		
13	03M7183	BOLT	4		M8 X 16
14	H120499	NUT	2		6 MM
15	H121391	KNOB	1		
16	H64584	RIVET	1		
17	AH125644	LATCH	1		
18	H130362	ANGLE	1		

# 3J9

SEPARATOR SHELL

MUD SHIELDS (R.H. SIDE)  
HP9380 -UN-01DEC99





# 3J10

SEPARATOR SHELL

## MUD SHIELDS (R.H. SIDE) - CONTINUED

KEY	PART NO.	PART NAME	QTY	SERIAL NO.	REMARKS
1	H85184	HANDLE	2		
2	14M7296	FLANGE NUT	3	M10	
3	24M7178	WASHER	3	10.500 X 30 X 2.500 MM	
4	H130636	STUD	3		
5	AH136355	BRACKET	1		
6	19M7865	SCREW	2	M8 X 16	
	37M7058	SCREW	2	M8 X 20	
7	M72598	QUICK LOCK PIN	1		
8	H141979	BRACKET	1		
9	AH122616	SHIELD	1		
10	14M7298	FLANGE NUT	AR	M8, CENTER	
11	H127732	GUIDE	1	FAN DRIVE	
12	03M7184	BOLT	2	M8 X 20	
13	H150746	PIN	1	(SUB FOR H78557)	
14	HZ5621H	SPRING	1		
15	24H1305	WASHER	1	13/32" X 13/16" X 0.065"	
16	11M1383	COTTER PIN	1	(SUB FOR 11H211) FRONT	
17	H152135	GUIDE	1	(SUB FOR H127731)	
18	AH136285	BRACKET	1		
19	AH130481	STUD	1	-650400	(SUB FOR H141978)
	H146757	BRACKET	1	650401-	
20	19M7866	SCREW	2	M8 X 20	
21	AH126352	SHIELD	1		
22	H131876	BRACKET	1		
23	AH155669	BRACKET	1		
24	AH126620	SHIELD	1		
25	03M7183	BOLT	4	M8 X 16	
26	19M7865	SCREW	2	M8 X 16	
27	19M8413	CAP SCREW	1	670910-671855	M12 X 150
	19M8037	CAP SCREW	1	671856-	M12 X 180
28	14M7299	FLANGE NUT	2	670910-	M12

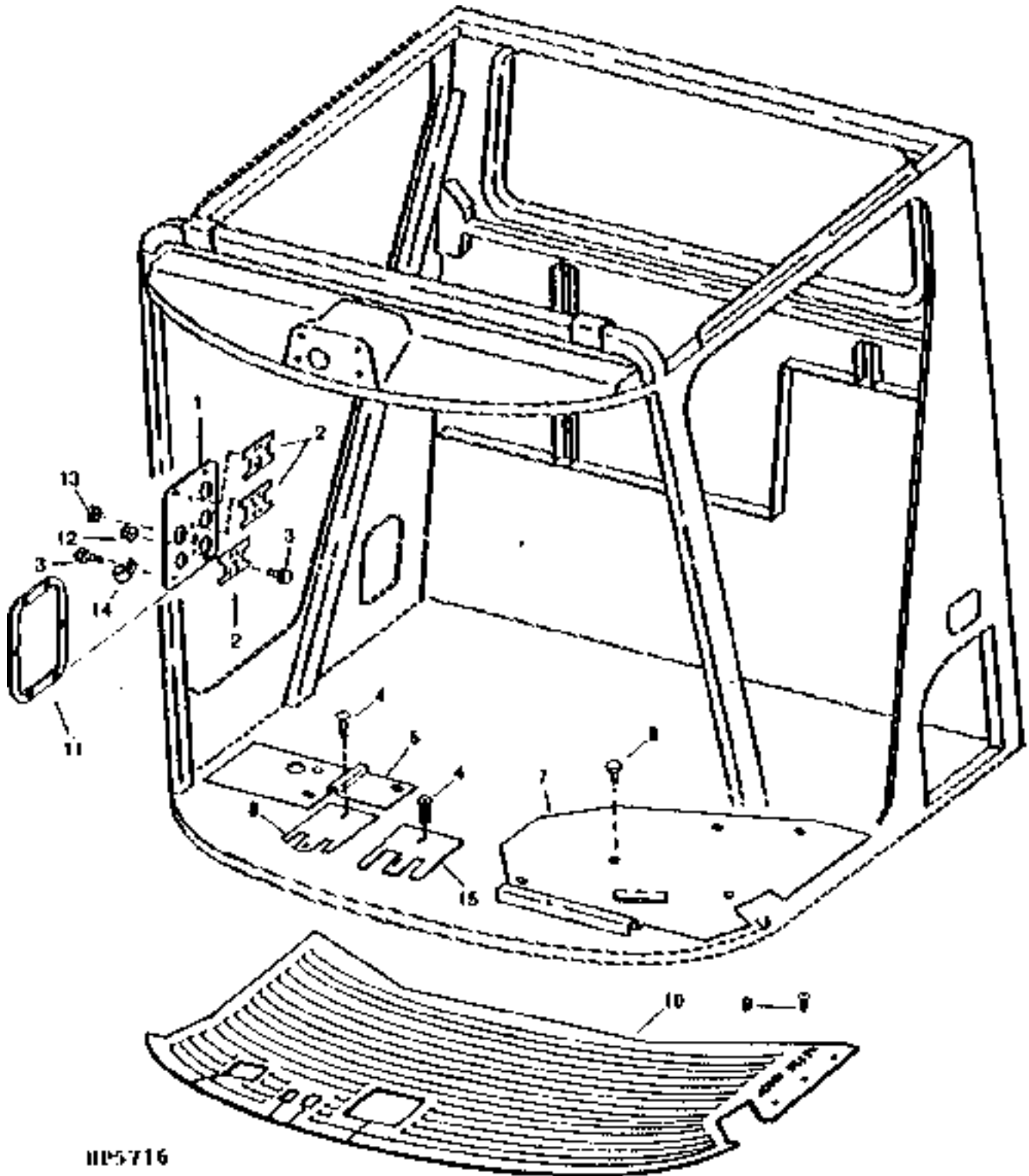
MEMORANDA

MEMORANDA

# 4B10

OPERATOR'S STATION

CAB PANELS AND FLOOR MAT  
HP5716 -UN-01JAN94



HP5716

# 4B11

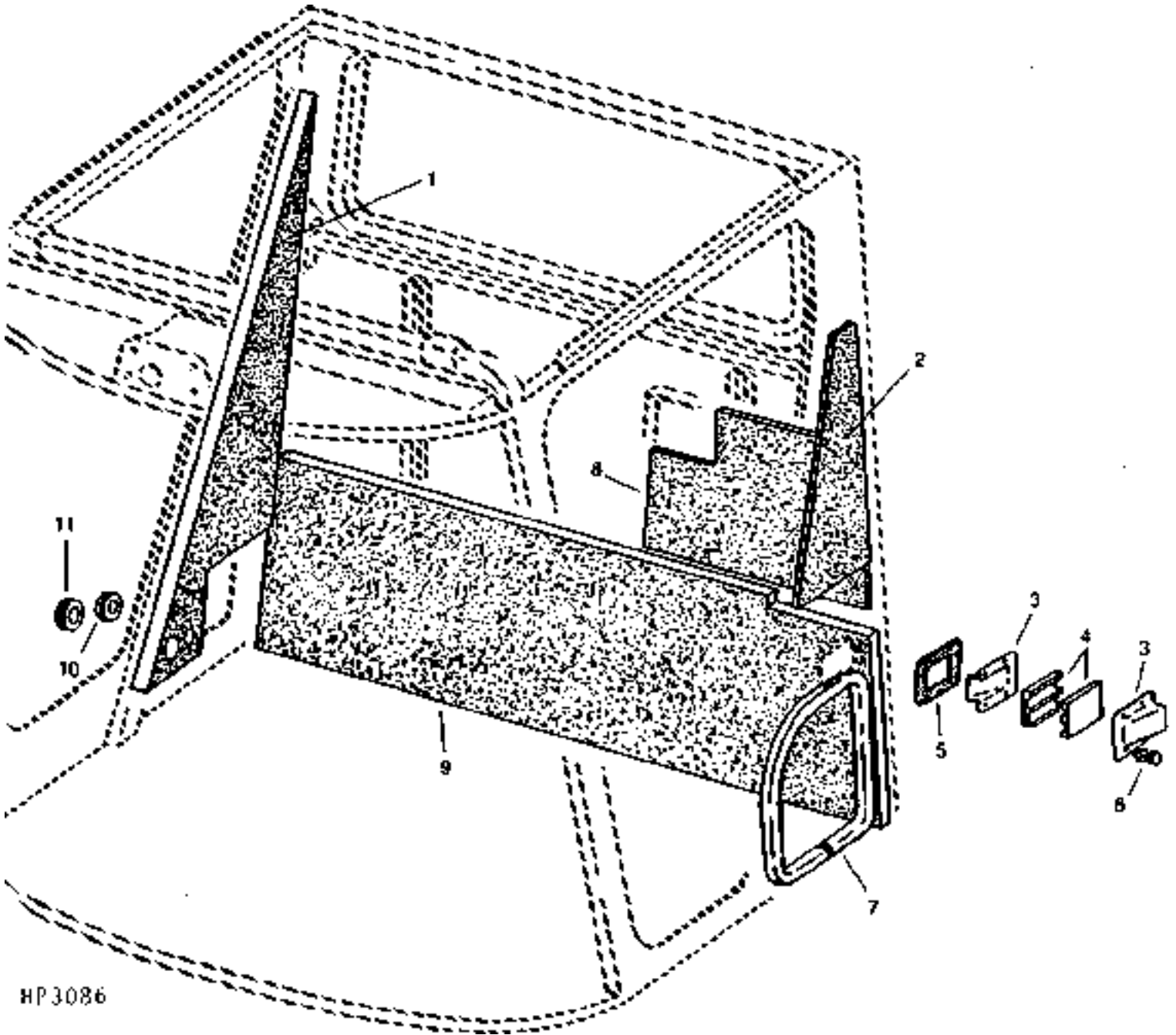
OPERATOR'S STATION

## CAB PANELS AND FLOOR MAT - CONTINUED

KEY	PART NO.	PART NAME	QTY	SERIAL NO.	REMARKS
1	H131298	PLATE	1		
2	H131299	PLATE	3		
3	19M7775	SCREW	9	M6 X 16	
4	37M7071	SCREW	4	R.H.	
5	H133665	SHEET	1		
6	H124260	PLATE	1	L.H.	
7	H133666	SHEET	1		
8	37M7089	SCREW	7	M6 X 12	
9	37M7109	SCREW	3	(SUB FOR 37M7074)	
10	AH159079	MAT	1	(SUB FOR AH128349)	
11	H131301	SEAL	1		
12	14M7303	FLANGE NUT	3	M6	
13	H131300	GROMMET	1		
14	AH89557	CLIP	1		
15	H141292	PLATE	1		

# 4B12

CAB SOUND DEADENING, FOAM AND SEALS  
HP3086 -UN-01JAN94



# 4B13

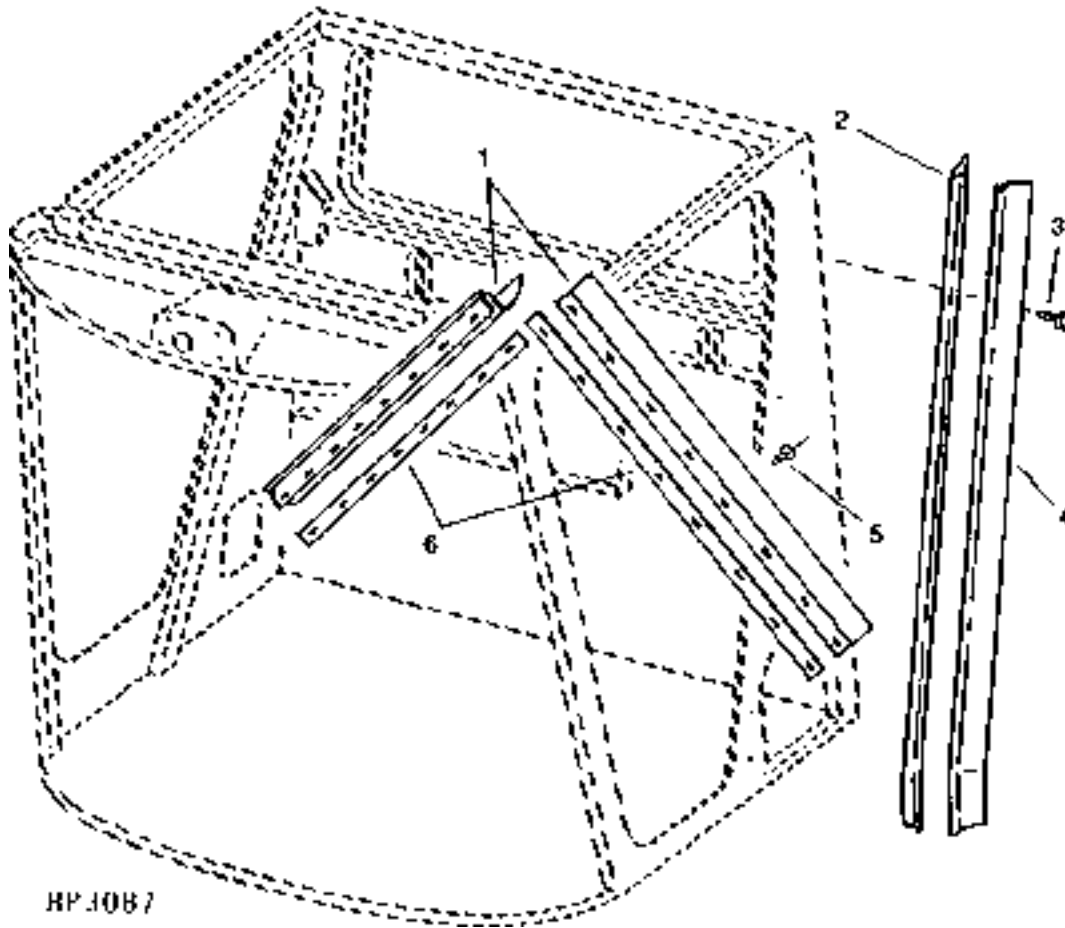
OPERATOR'S STATION

## CAB SOUND DEADENING, FOAM AND SEALS - CONTINUED

KEY	PART NO.	PART NAME	QTY	SERIAL NO.	REMARKS
1	H125511	FOAM PAD	1		
2	AH127674	BARRIER	1		L.H.
3	H129606	RETAINER	2		
4	H114523	SEAL	2		
5	H114525	GASKET	1		
6	37M7090	SCREW	4		M6 X 16
7	AH80335	WEATHERSTRIP	1		
8	AH126834	BARRIER	1	-27MAY7	REAR-SERVICE ONLY
9	AH120892	BARRIER	1	-665400	REAR
	AH146747	BARRIER	1	665401-27MAY7	L.H.-SERVICE ONLY
	AH146748	BARRIER	1	665401-27MAY7	R.H.-SERVICE ONLY
10	R50456	GROMMET	1		
11	H36221	GROMMET	1		

# 4B14

CAB REAR AND SIDE SEALS  
HP3087 -UN-01JAN94



HP3087



# 4B15

OPERATOR'S STATION

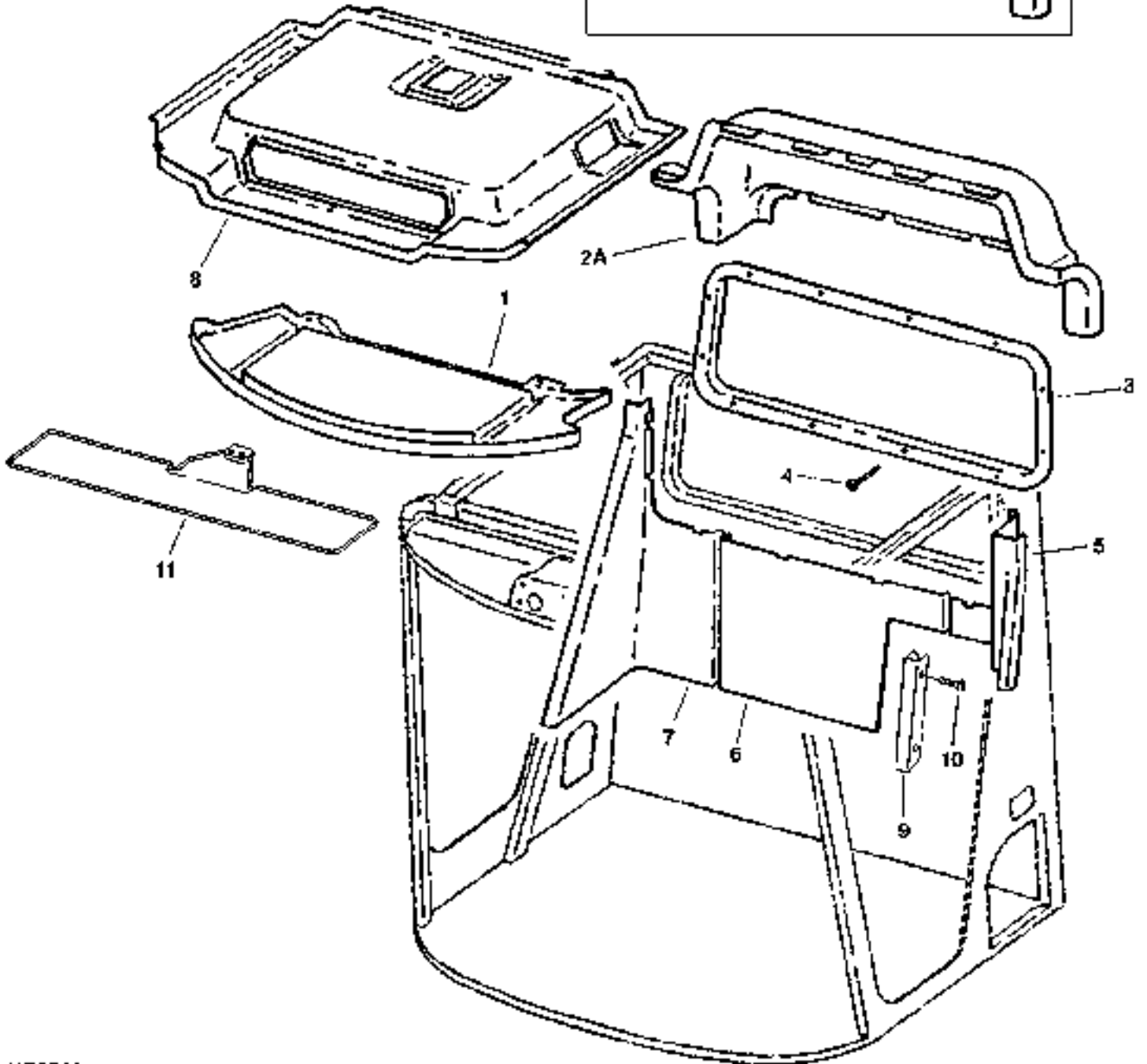
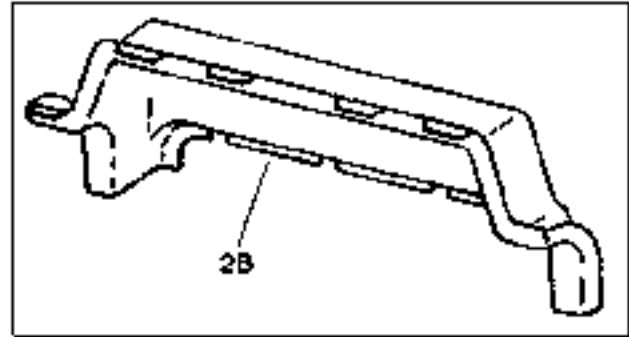
## CAB REAR AND SIDE SEALS - CONTINUED

KEY	PART NO.	PART NAME	QTY	SERIAL NO.	REMARKS
1	H135614	SEAL	2		
2	H133391	BRACKET	1		
3	37M7089	SCREW	8		M6 X 12
4	AH141774	SEAL	1		(SUB FOR AH125643)
5	H85233	RIVET	16		
6	H135615	RETAINER	2		

# 4B16

OPERATOR'S STATION

CAB INTERIOR TRIM PANELS  
HP6763 -UN-11JUL97



HP6763

# 4B17

OPERATOR'S STATION

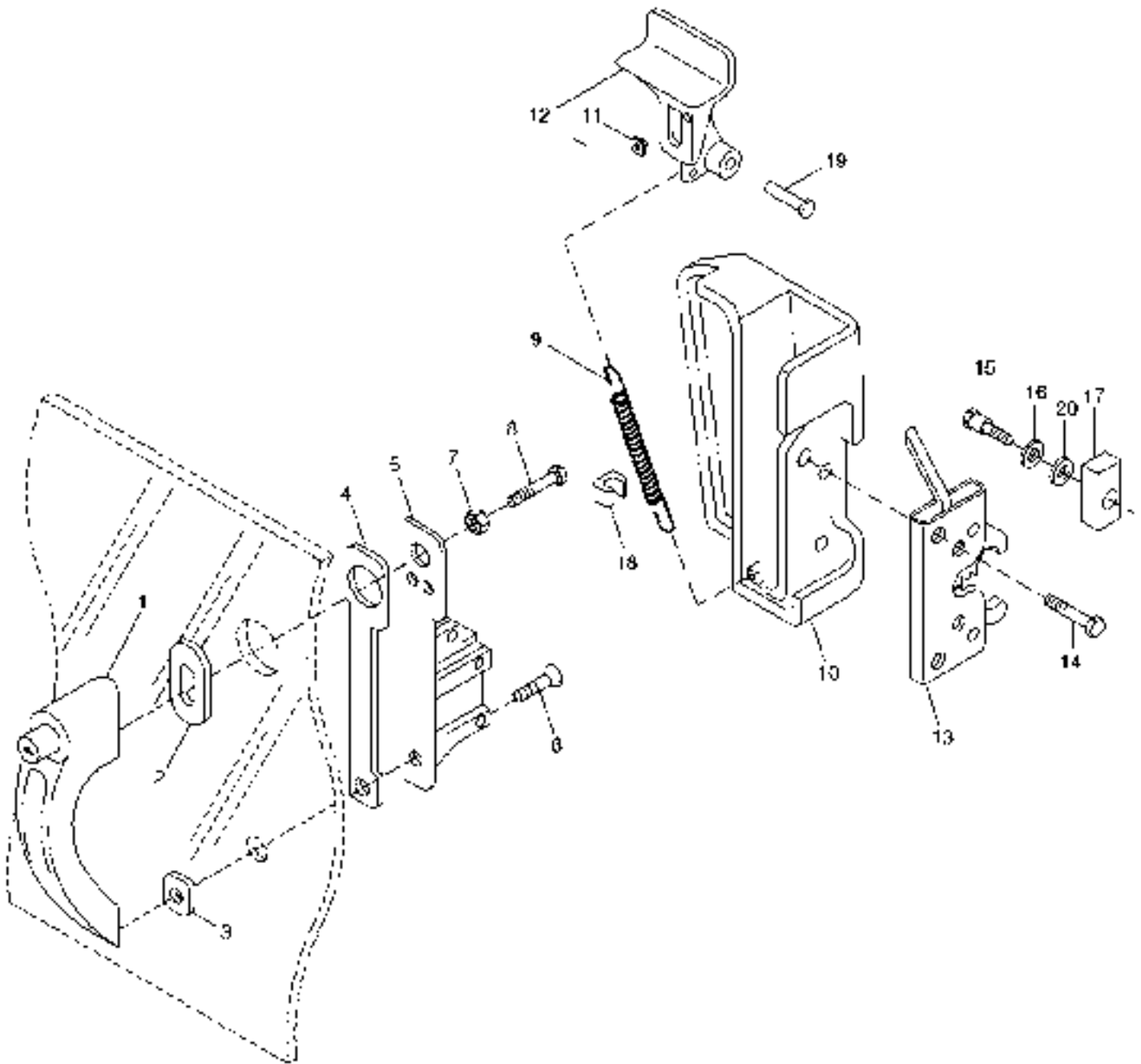
**CAB INTERIOR TRIM PANELS - CONTINUED**

KEY	PART NO.	PART NAME	QTY	SERIAL NO.	REMARKS
1	AH120887	HEADLINER	1		FRONT, WITHOUT SUN VISOR
	AH153911	HEADLINER	1		FRONT, WITH SUN VISOR
2A	AH120889	HEADLINER	1	-665514	REAR
2B	AH149883	HEADLINER	1	665515-	REAR
3	H168431	BEZEL	1		(SUB FOR H125513) REAR
4	H119088	SCREW	12		
5	AH120891	PANEL	1		L.H.
6	AH121613	PANEL	1		REAR
7	AH120890	PANEL	1		R.H.
8	AH136326	HEADLINER	1	-665514	(SUB FOR AH120888)
	AH149882	HEADLINER	1	665515-	
9	H124210	COVER	1		
10	H132452	CAP SCREW	2		M6 X 50
11	AH151123	SUN VISOR	1		
..	AH133088	KIT	1		SERVICE KIT FOR CAB HARDWARE

# 4B18

OPERATOR'S STATION

CAB DOOR LATCH  
HP8513 -UN-23APR99



HP8513

# 4B19

OPERATOR'S STATION

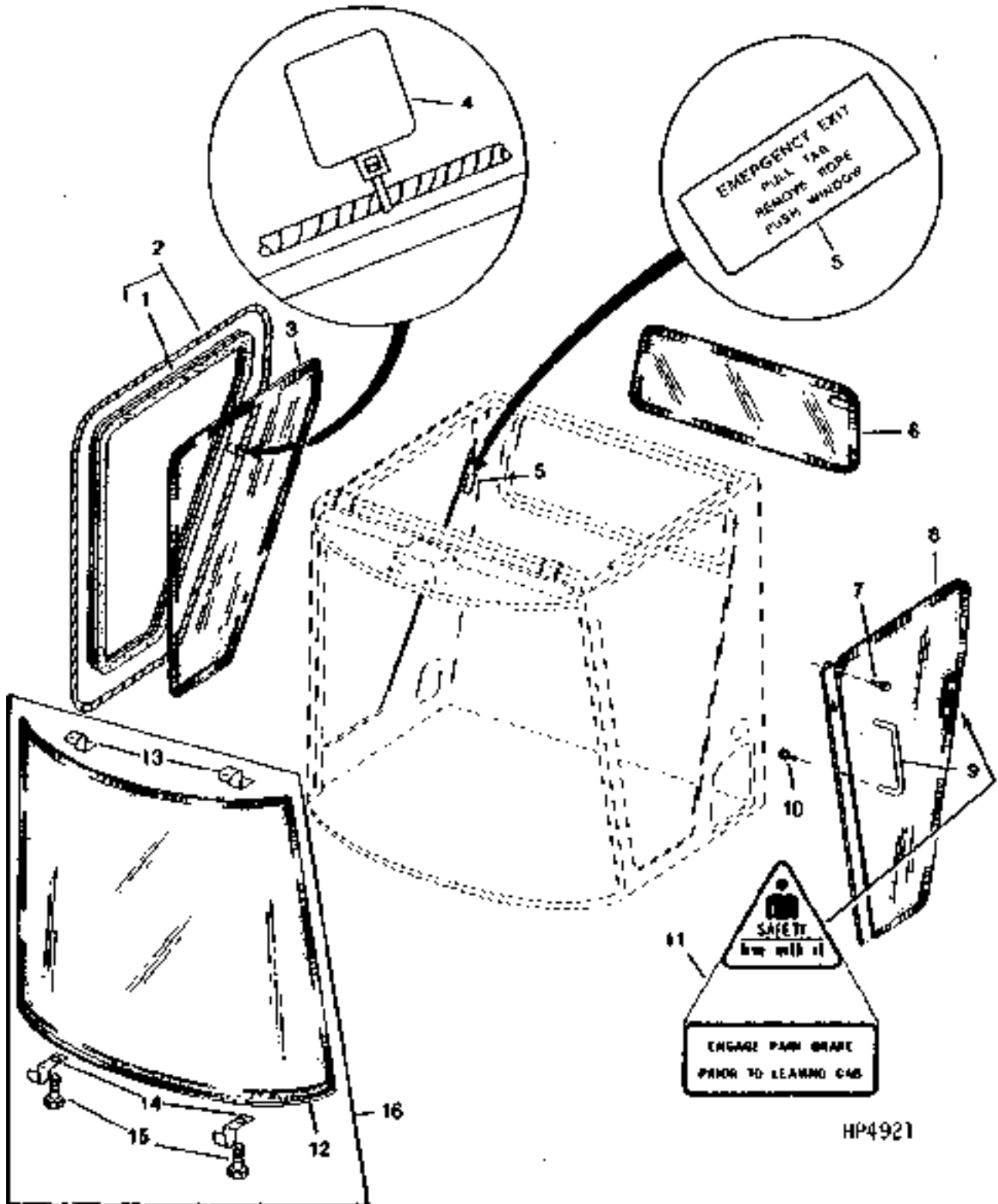
## CAB DOOR LATCH - CONTINUED

KEY	PART NO.	PART NAME	QTY	SERIAL NO.	REMARKS
1	RE35161	HANDLE	1		
2	H126081	BEZEL	1		
3	H126082	BEZEL	1		
4	H126083	ISOLATOR	1		
5	H133414	SUPPORT	1		
6	21M7334	SCREW	3	M6 X 25	
7	14H786	NUT	1	1/4"	
8	19H1898	CAP SCREW	1	1/4" X 1-1/2"	
9	H134671	EXTENSION SPRING	1		
10	H150047	HOUSING	1	(SUB FOR H133413)	
11	H145893	BUMPER	1	(SUB FOR H135887)	
12	AH140838	HANDLE	1	(SUB FOR H133415)	
13	AH128585	LATCH	1		
14	19M8326	CAP SCREW	3	M6 X 35	
15	H136589	BOLT	1	7/16" X 1.567"	
16	24H1219	WASHER	AR	7/16" X 1" X 0.083"	
17	H133219	ADJUSTING STRAP	1		
18	H107566	ISOLATOR	1		
19	H136056	PIN	1	0.236" X 1.457"	
20	H136590	DISK SPRING	1	0.415" X 0.945" X 0.118"	
..	TY9370	ADHESIVE	1	6 OZ. MEDIUM STRENGTH	

# 4B20

OPERATOR'S STATION

CAB GLASS AND DOOR  
HP4921 -UN-01JAN94



HP4921

# 4B21

OPERATOR'S STATION

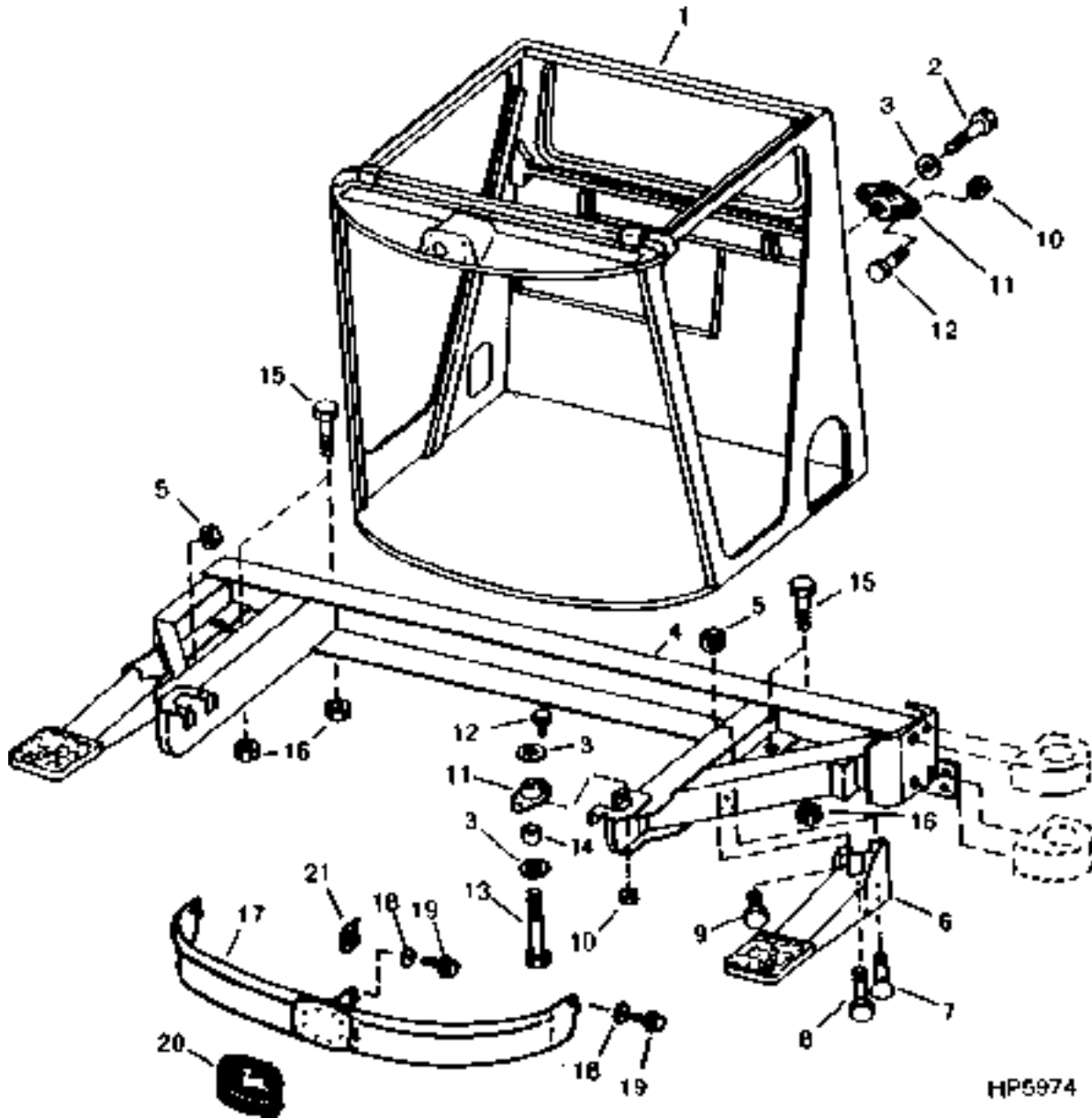
CAB GLASS AND DOOR - CONTINUED

KEY	PART NO.	PART NAME	QTY	SERIAL NO.	REMARKS
1	.....	WEATHERSTRIP	1		(SUB AH106010)
2	AH106010	WEATHERSTRIP	1		
3	H123794	WINDOWPANE	1		
	H137839	WINDOWPANE	1		(EXPORT - ITALY)
4	H138297	TIE BAND	1	-645606	
5	H134535	LABEL	1		
	H149356	LABEL	1		ITALIAN
6	H125769	WINDOWPANE	1		
	H137840	WINDOWPANE	1		(EXPORT - ITALY)
7	37M7160	SCREW	AR		M6 X 16
8	AH154280	DOOR	1		(SUB FOR AH125963)
9	H131720	RAIL	1		
10	19M8358	CAP SCREW	AR		M10 X 20
11	H145982	LABEL	1		
	H149355	LABEL	1		ITALIAN
12	.....	WINDSHIELD	1		
13	AH132819	BRACKET	2		
14	.....	CLAMP	2		
15	19M7866	SCREW	2		M8 X 20
16	AH141412	KIT	1		
	AH141412	KIT	1	650401-	(EXPORT)
	AH132117	WINDSHIELD	1	655401-	(EXPORT)
..	AH132891	DOOR	1		

# 4B22

OPERATOR'S STATION

CAB FRAME AND SUPPORT  
HP5974 -UN-27APR95



HP5974



# 4B23

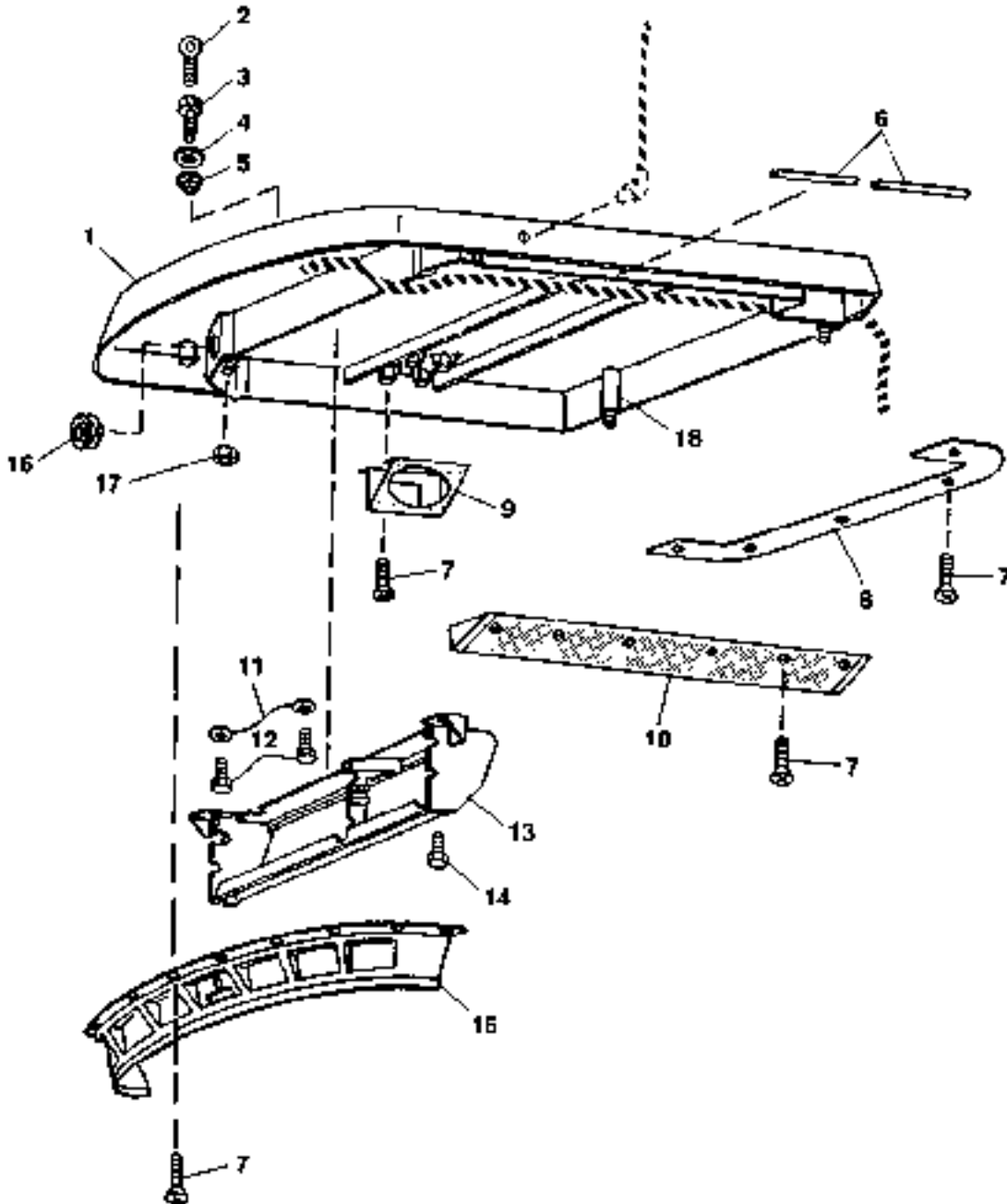
OPERATOR'S STATION

## CAB FRAME AND SUPPORT - CONTINUED

KEY	PART NO.	PART NAME	QTY	SERIAL NO.	REMARKS
1	AH126265	CAB	1	(NO LONGER AVAILABLE)	
	AH143622	CAB	1	(EXPORT - ITALY)	
	H136583	LABEL	1	RECIRC. - FILTER TRAY	
2	19M7268	CAP SCREW	2	M12 X 25 GOES THRU ISOLATION (CAB) MOUNT	
3	24M7103	WASHER	4	17.500 X 56 X 5 MM	
4	AH141161	SUPPORT	1		
5	14M7296	FLANGE NUT	7	M10	
6	AH130594	STEP	1		
7	03M7191	BOLT	1	TOP R.H. HOLE	
8	03M7190	BOLT	2	M10 X 20 BOTTOM TWO HOLES	
9	19M7784	SCREW	1	M10 X 20 TOP L.H. HOLE	
10	14M7299	FLANGE NUT	8	M12	
11	AH108299	RUBBER MOUNT	4		
12	19M7788	SCREW	8	M12 X 25	
13	19M7546	CAP SCREW	2	M16 X 150	
14	H96690	SPACER	2	16.662 X 31.750 X 28.956 MM (21/32" X 1-1/4" X 1.140")	
15	19M7789	SCREW	4	M12 X 30	
16	14M7299	FLANGE NUT	4	M12	
17	AH132148	SHIELD	1		
18	24M7207	WASHER	3	8.400 X 24 X 2 MM	
19	37M7058	SCREW	3	M8 X 20	
20	H149480	LABEL	1	(SUB FOR H136158) (USE WITH H98111) "JOHN DEERE"	
21	H98111	NUT	8		

# 4B24

CAB ROOF AND SUPPORTS  
HP6726 -UN-22MAY97



HP6726

# 4B25

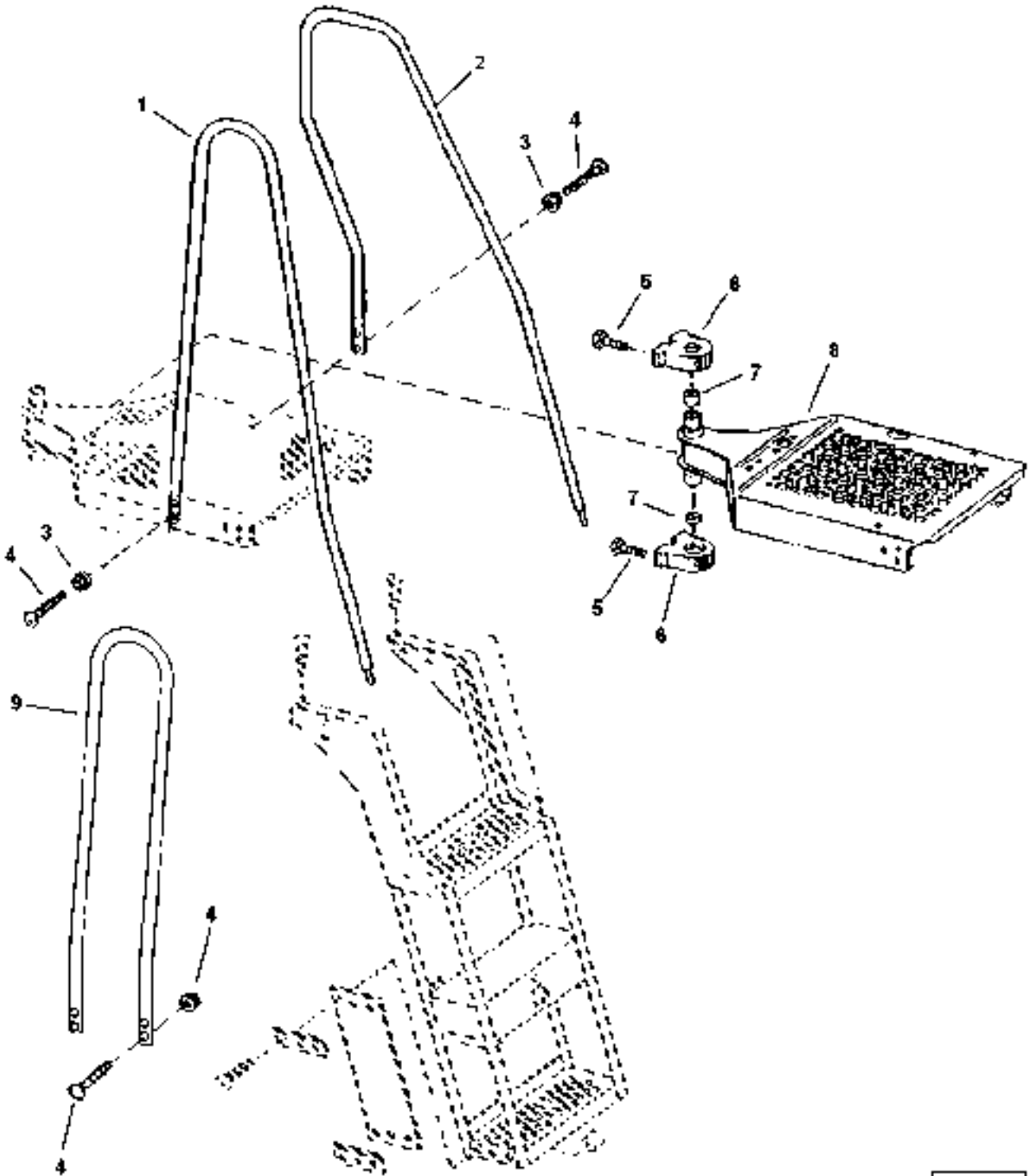
OPERATOR'S STATION

## CAB ROOF AND SUPPORTS - CONTINUED

KEY	PART NO.	PART NAME	QTY	SERIAL NO.	REMARKS
1	AH153796	ROOF	1		(SUB FOR AH135315)
2	.....	EYEBOLT	1		12 MM, FOR ROOF REMOVAL
3	19M7789	SCREW	2		M12 X 30
4	24M7051	WASHER	2		21 X 37 X 3 MM
5	H123991	SEALING WASHER	2		
6	AH120541	SEAL	AR		
7	H123995	SCREW	27		
8	H143460	COVER	1		
9	H144472	SUPPORT	2		
10	H130301	COVER	2		
11	AH124882	WIRING LEAD	2		
12	H114038	SCREW	4		
13	AH136557	SUPPORT	1		
14	H116188	SCREW	4		
15	H130303	COVER	1		
16	H123796	GROMMET	1		
17	14M7296	FLANGE NUT	4		M10
18	H123740	STUD	4	29SEP7-	

# 4C1

OPERATOR'S PIVOTING PLATFORM AND HANDRAILS  
HP9361 -UN-24NOV99



HP9361

# 4C2

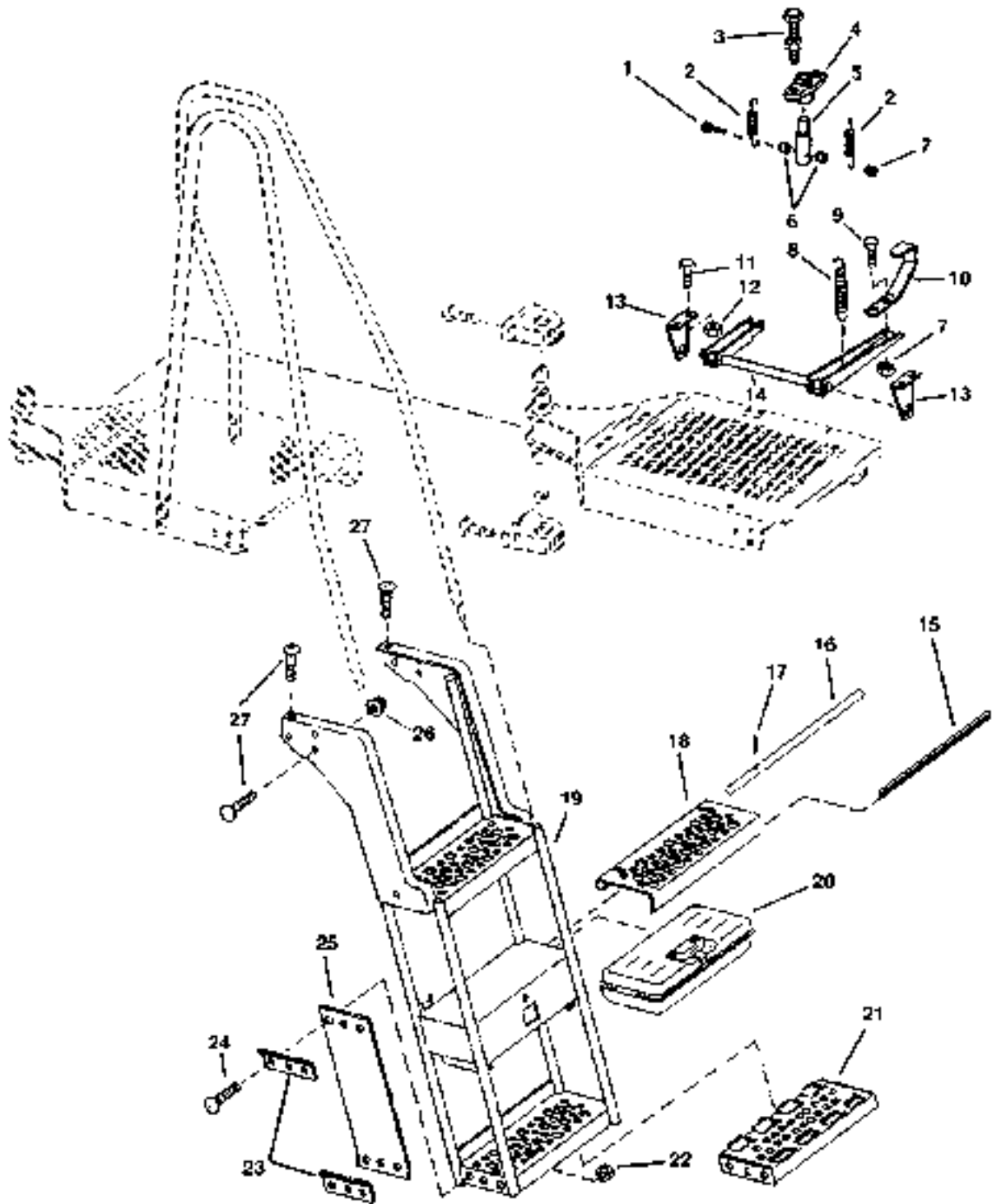
OPERATOR'S STATION

OPERATOR'S PIVOTING PLATFORM AND HANDRAILS - CONTINUED

KEY	PART NO.	PART NAME	QTY	SERIAL NO.	REMARKS
1	H136143	HANDRAIL	1		(USE WITH AH133499, AH133500 OR AH133501)
	AH148182	HANDRAIL	1	29SEP7-	
2	AH131845	HANDRAIL	1	-27SE99	USE WITH 940 MM EXT.
	AH160473	HANDRAIL	1	28SE99-	
	AH131851	HANDRAIL	1	-27SE99	USE WITH 1260 MM EXT.
	AH160474	HANDRAIL	1	28SE99-	
	AH131852	HANDRAIL	1	-27SE99	USE WITH 1390 MM EXT.
	AH160475	HANDRAIL	1	28SE99-	
	AH157031	HANDRAIL	1		(SUB FOR AH148171) (USE WITH AH158957)
	AH158957	KIT	1		
3	H131626	HANDRAIL	1	-29SEP7	
	AH148183	HANDRAIL	1	29SEP7-	USE WITH 1390MM EXT.
4	03M7196	BOLT	8		M10 X 50
5	19M7792	SCREW	4		M16 X 30
6	H129610	BUSHING	2		
7	H111478	SLEEVE	2		
8	AH133499	EXTENSION	1		940 MM EXT.
	AH133500	EXTENSION	1	-27SE99	1260 MM EXT.
	AH159187	EXTENSION	1	28SE99-	
	AH133501	EXTENSION	1	-27SE99	1390 MM EXT.
	AH159188	EXTENSION	1	28SE99-	
9	14M7400	LOCK NUT	8		M10
..	<b>BH80671</b>	<b>COMPLETE GOODS/SHIP. BUNDLE</b>	1		<b>HANDRAIL CONVERSION (TO 1260 MM)</b>
..	<b>BH80672</b>	<b>COMPLETE GOODS/SHIP. BUNDLE</b>	1		<b>HANDRAIL CONVERSION (TO 1390 MM)</b>

# 4C3

OPERATOR'S PLATFORM LADDER AND LATCH ( -660400)  
HP6502 -UN-15JUL96



HP6502

# 4C4

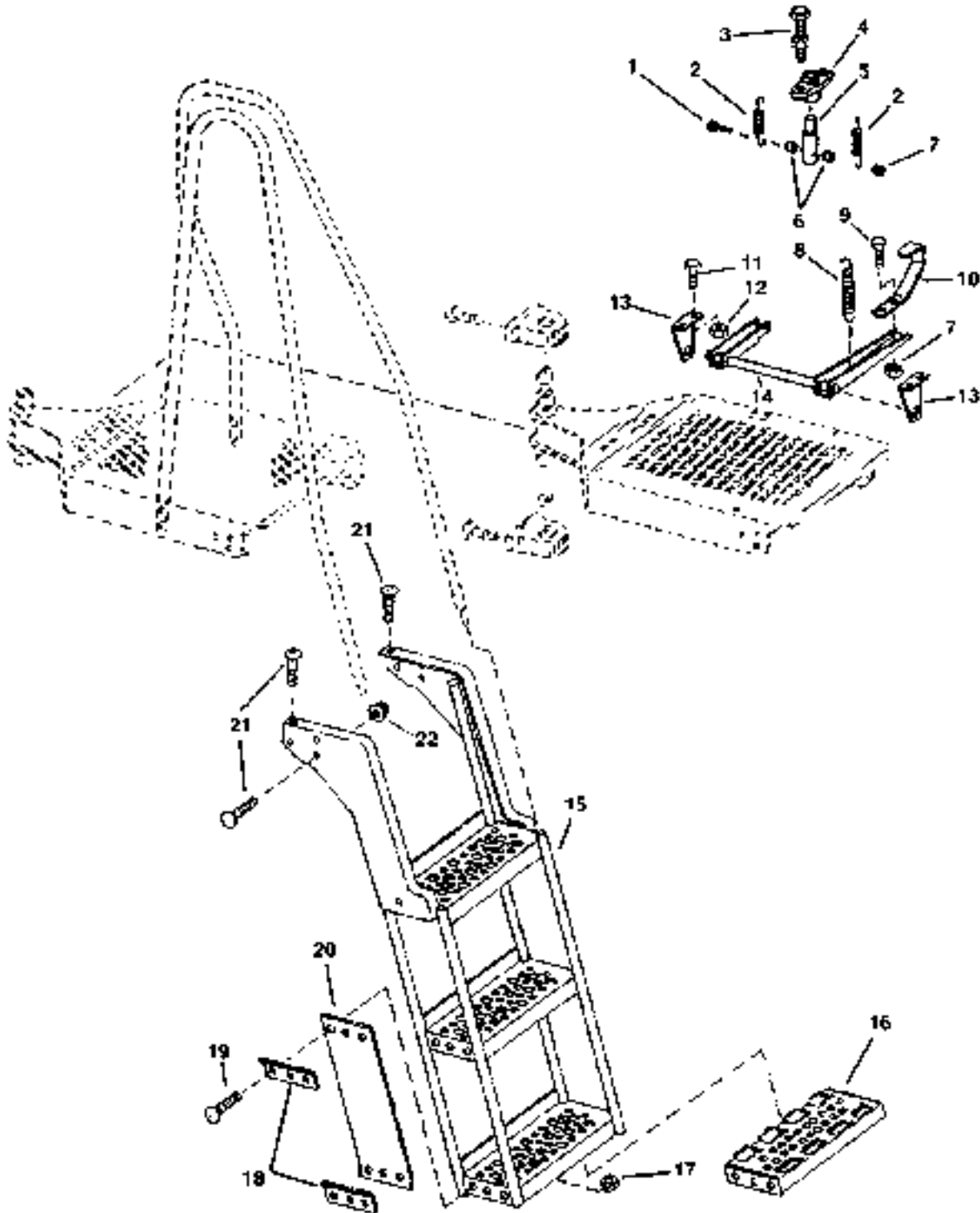
OPERATOR'S STATION

OPERATOR'S PLATFORM LADDER AND LATCH ( -660400) - CONTINUED

KEY	PART NO.	PART NAME	QTY	SERIAL NO.	REMARKS
1	19M7803	SCREW	1		
2	H137360	EXTENSION SPRING	2		
3	03M7186	BOLT	2		M8 X 30
	14M7396	LOCK NUT	2		M8
4	H129761	BUSHING	1		
5	H129760	PIN	1		
6	28H1903	BUSHING	2		
7	14M7298	FLANGE NUT	3		M8
8	R60730	SPRING	1		
9	03M7184	BOLT	2		M8 X 20
10	H133514	LEVER	1		
11	03M7251	BOLT	4		M6 X 12
12	14M7303	FLANGE NUT	4		M6
13	H129763	BRACKET	2		
14	AH128610	LATCH	1		
15	.....	ISOLATOR	1	-660400	CUT 400 MM (16") FROM N191488, (USE WITH AH131848)
16	H133327	PIN	1	-660400	
17	11M7081	COTTER PIN	2	-660400	2.500 X 20 MM
18	H136012	STEP	1	-660400	
19	AH131747	LADDER	1	-660400	(SUB AH145678) WITH TOOLBOX OPENING
	AH165990	LADDER	1		(SUB FOR AH145678) WITHOUT TOOLBOX OPENING
20	AH114877	TOOLBOX	1	-660400	
21	H136011	STEP	1		
22	14M7396	LOCK NUT	AR		M8
23	H136127	PLATE	4		
24	03M7185	BOLT	12		M8 X 25
25	H136126	HANGER	2		(USE WITH AH133499)
26	14M7400	LOCK NUT	8		M10
27	03M7190	BOLT	8		M10 X 20
..	<b>BH80671</b>	<b>COMPLETE GOODS/SHIP. BUNDLE</b>	<b>1</b>		<b>HANDRAIL CONVERSION (TO 1260 MM)</b>
..	<b>BH80672</b>	<b>COMPLETE GOODS/SHIP. BUNDLE</b>	<b>1</b>		<b>HANDRAIL CONVERSION (TO 1390 MM)</b>

# 4C5

OPERATOR'S PLATFORM LADDER AND LATCH (660401- )  
HP6503 -UN-15JUL96



HP6503



# 4C6

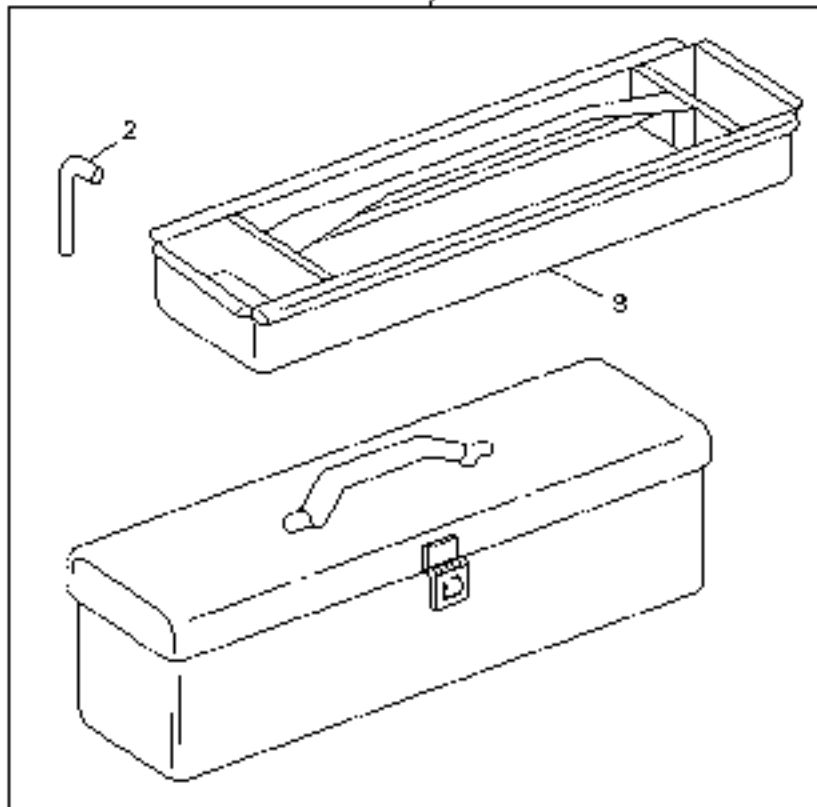
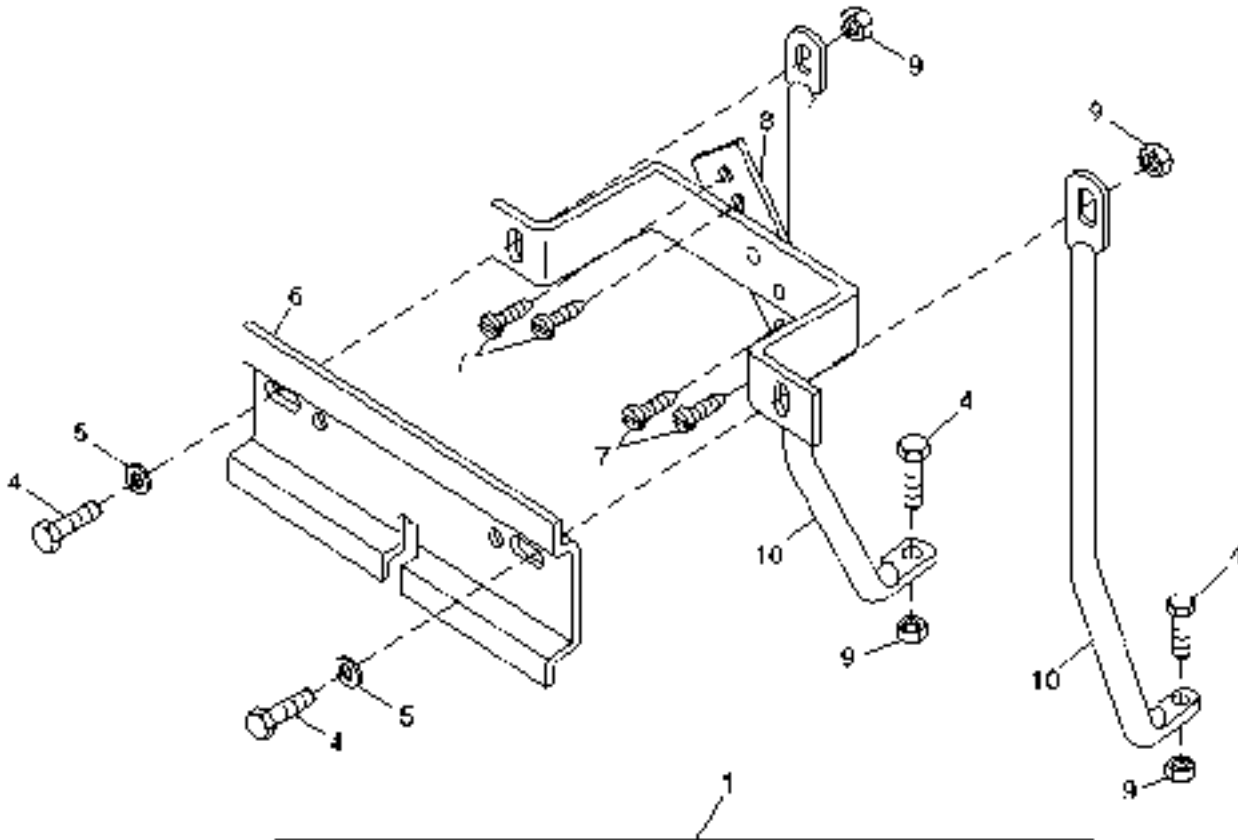
OPERATOR'S STATION

OPERATOR'S PLATFORM LADDER AND LATCH (660401- ) - CONTINUED

KEY	PART NO.	PART NAME	QTY	SERIAL NO.	REMARKS
1	19M7803	SCREW	1		
2	H137360	EXTENSION SPRING	2		
3	03M7186	BOLT	2		M8 X 30
	14M7396	LOCK NUT	2		M8
4	H129761	BUSHING	1		
5	H129760	PIN	1		
6	28H1903	BUSHING	2		
7	14M7298	FLANGE NUT	3		M8
8	R60730	SPRING	1		
9	03M7184	BOLT	2		M8 X 20
10	H133514	LEVER	1		
11	03M7251	BOLT	4		M6 X 12
12	14M7303	FLANGE NUT	4		M6
13	H129763	BRACKET	2		
14	AH128610	LATCH	1		
15	AH165990	LADDER	1		(SUB FOR AH145678) WITHOUT TOOLBOX OPENING
16	H136011	STEP	1		
17	14M7396	LOCK NUT	AR		M8
18	H136127	PLATE	4		
19	03M7185	BOLT	AR		M8 X 25
20	H136126	HANGER	2		(USE WITH AH133499)
21	03M7190	BOLT	8		M10 X 20
22	14M7400	LOCK NUT	8		M10
..	<b>BH80671</b>	<b>COMPLETE GOODS/SHIP. BUNDLE</b>	<b>1</b>		<b>HANDRAIL CONVERSION (TO 1260 MM)</b>
..	<b>BH80672</b>	<b>COMPLETE GOODS/SHIP. BUNDLE</b>	<b>1</b>		<b>HANDRAIL CONVERSION (TO 1390 MM)</b>

# 4C7

TOOL BOX  
(660401- )  
HP8490 -UN-13JUL99



**HP8490**

# 4C8

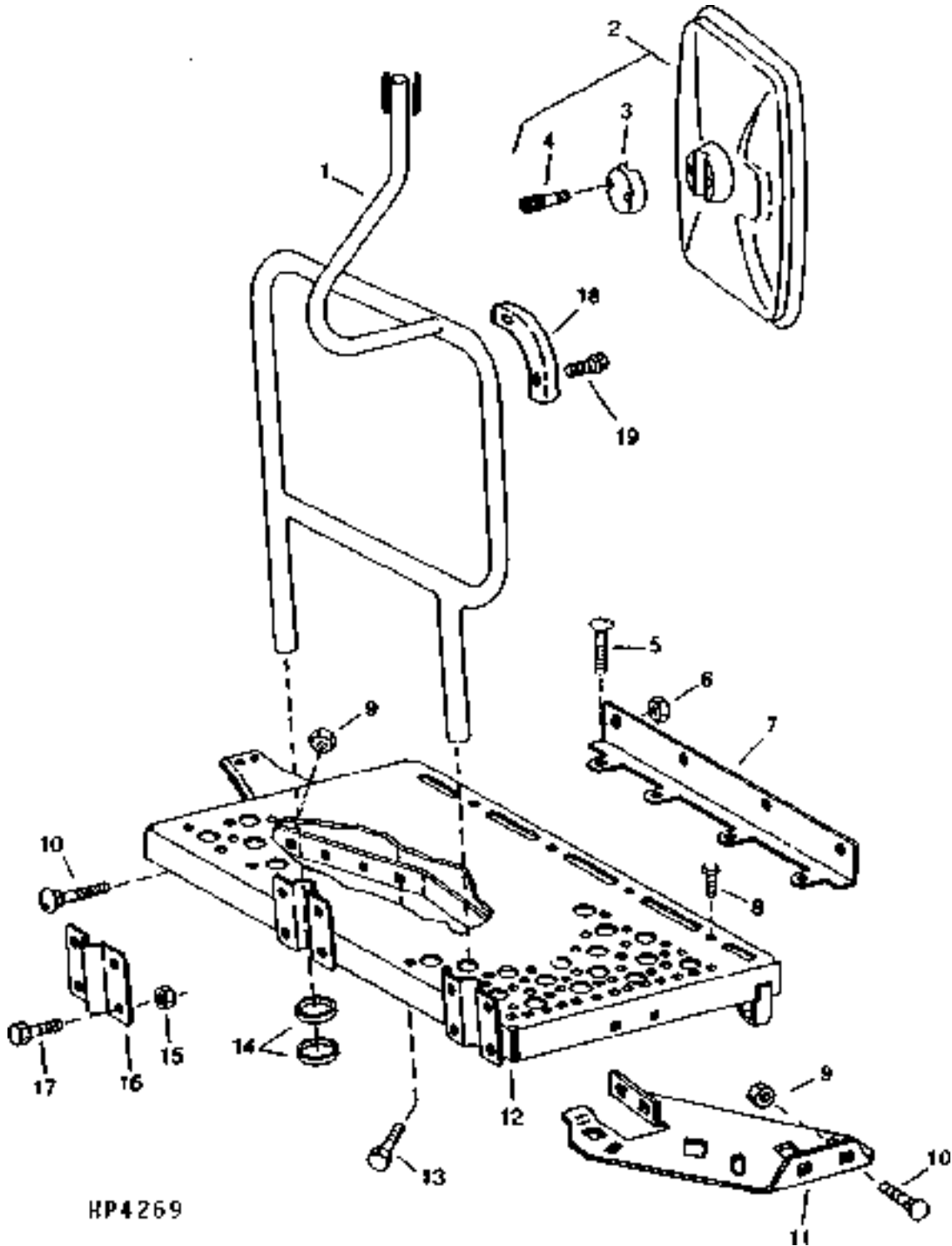
OPERATOR'S STATION

**TOOL BOX - CONTINUED**  
**(660401- )**

KEY	PART NO.	PART NAME	QTY	SERIAL NO.	REMARKS
1	AT22070	TOOLBOX	1		
2	T23027	PIN	1		
3	AT22073	HOLDER	1		
4	19M7785	SCREW	4	M10 X 25	
5	24M7178	WASHER	2	10.500 X 30 X 2.500 MM (0.413" X 1.181" X 0.098")	
6	T23033	BRACKET	1		
7	37M7058	SCREW	4	M8 X 20	
8	AH145157	BRACKET	1		
9	14M7296	FLANGE NUT	4	M10	
10	H150951	BRACE	2		
..	<b>BH81052</b>	<b>COMPLETE GOODS/SHIP. BUNDLE</b>	1		<b>TOOL BOX ASSEMBLY - WITH TRAY AND BRACKET</b>

# 4C9

CAB LEFT-HAND LANDING AND MIRROR  
(-650400)  
HP4269 -UN-01JAN94



# 4C10

OPERATOR'S STATION

**CAB LEFT-HAND LANDING AND MIRROR - CONTINUED**  
( -650400)

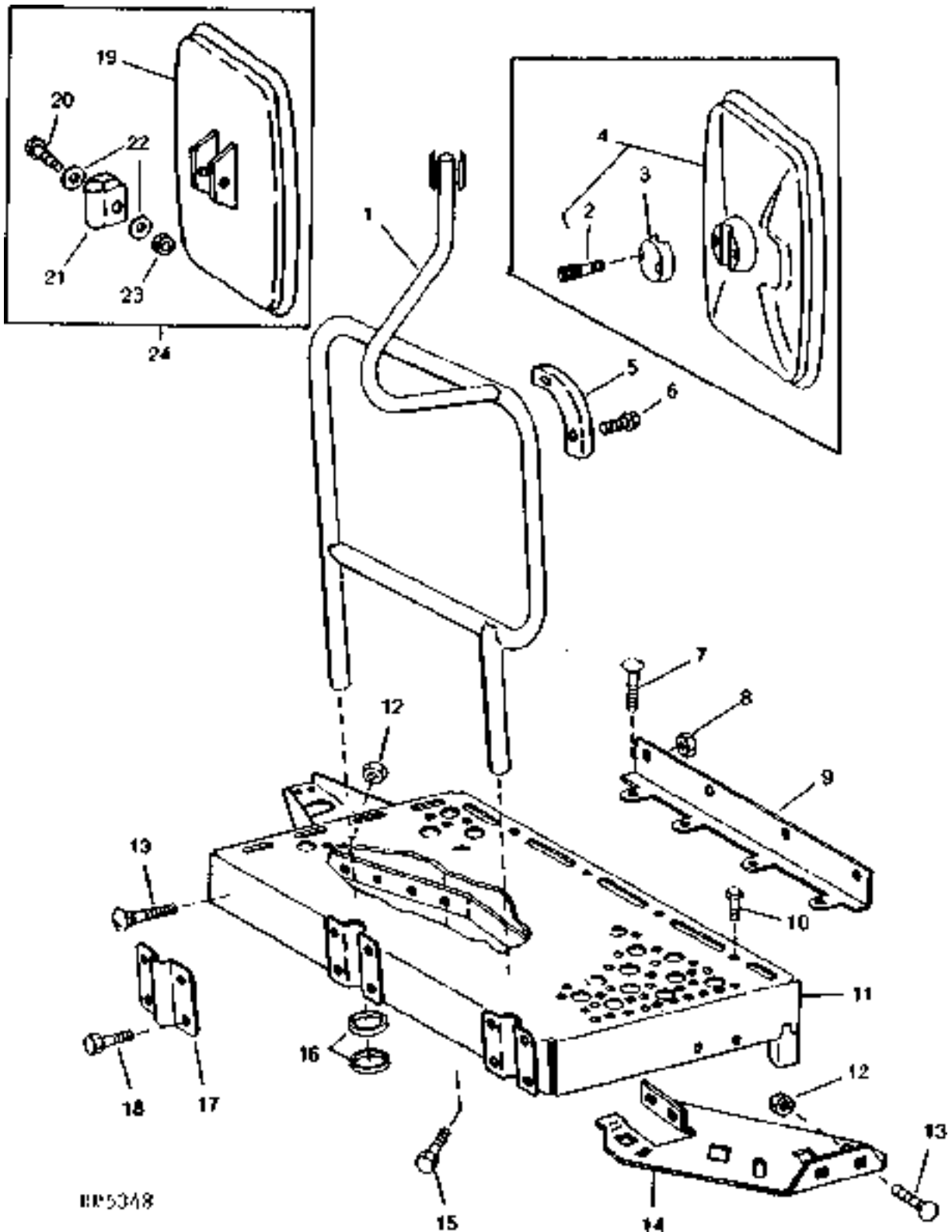
KEY	PART NO.	PART NAME	QTY	SERIAL NO.	REMARKS
1	AH131843	RAIL	1		
2	AH142404	REAR VIEW MIRROR	1	-655400	(SUB FOR AZ31008)
	AZ49140	REAR VIEW MIRROR	1	655401-	(EXPORT)
3	.....	PLATE	1		
4	19M8505	SCREW	2		
5	03M7183	BOLT	AR		M8 X 16
6	14M7298	FLANGE NUT	AR		M8
7	H130362	ANGLE	1		
8	37M7058	SCREW	AR		M8 X 20
9	14M7296	FLANGE NUT	AR		M10
10	19M7784	SCREW	AR		M10 X 20
11	H172944	PLATE	1		(SUB FOR H134544)
12	AH131881	PLATFORM	1		
	AH141812	PLATFORM	1		
13	19M7784	SCREW	AR		M10 X 20
14	H136110	ISOLATOR	4		
15	14M7303	FLANGE NUT	2		M6
16	H136109	SUPPORT	2		
17	19M7862	SCREW	4		M6 X 20
18	AH122099	BUMPER	1		
19	37M7046	SCREW	2		

# 4C11

OPERATOR'S STATION

## CAB LEFT-HAND LANDING AND MIRROR

(650401- )  
HP5348 -UN-01JAN94



HP5348

# 4C12

OPERATOR'S STATION

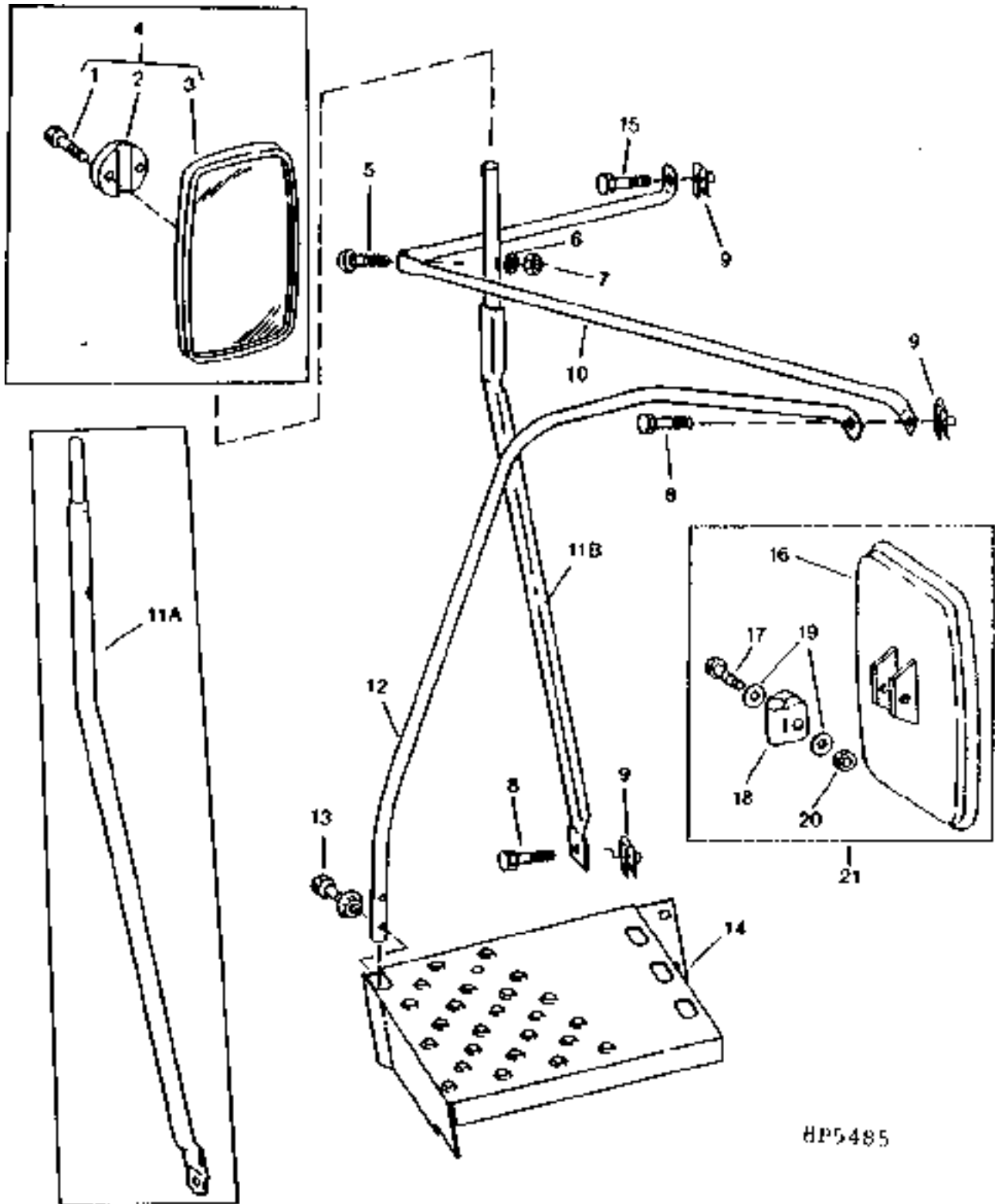
**CAB LEFT-HAND LANDING AND MIRROR - CONTINUED**  
(650401- )

KEY	PART NO.	PART NAME	QTY	SERIAL NO.	REMARKS
1	AH141804	RAIL	1	-27SE99	
	AH160115	HANDRAIL	1	28SE99-	
2	19M8505	SCREW	1	-655541	M6 X 25
3	.....	PLATE	1	-655541	
4	AZ31008	REAR VIEW MIRROR	1	-655541	(SUB AH142404)
	AZ49140	REAR VIEW MIRROR	1		(SUB FOR AZ42315) (EXPORT)
5	AH122099	BUMPER	1		
6	37M7046	SCREW	2		
7	03M7183	BOLT	AR		M8 X 16
8	14M7298	FLANGE NUT	AR		M8
9	H130362	ANGLE	1		
10	37M7058	SCREW	AR		M8 X 20
11	AH141812	PLATFORM	1		
12	14M7296	FLANGE NUT	AR		M10
13	19M7784	SCREW	AR		M10 X 20
14	H172944	PLATE	1		(SUB FOR H134544)
15	19M7784	SCREW	4		M10 X 20
16	H136110	ISOLATOR	4		
17	H161289	CLAMP	4		(SUB FOR H136109)
18	19M7862	SCREW	4		M6 X 20
19	.....	REAR VIEW MIRROR	1	655542-	(ORDER AH142404)
20	.....	BOLT	1	655542-	(ORDER AH142404)
21	.....	CLAMP	1	655542-	(ORDER AH142404)
22	.....	WASHER	1	655542-	
23	.....	NUT	1	655542-	
24	AH142404	REAR VIEW MIRROR	1	655542-	

# 4C13

OPERATOR'S STATION

CAB LANDING AND MIRROR (R.H.)  
HP5485 -UN-01JAN94



HP5485



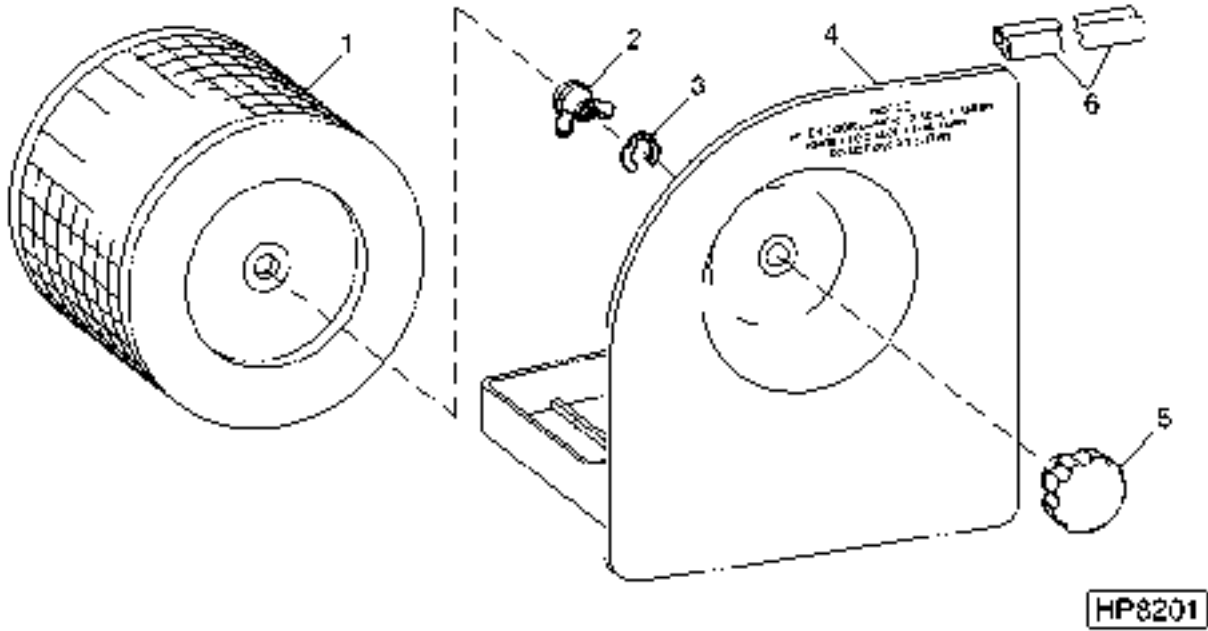
CAB LANDING AND MIRROR (R.H.) - CONTINUED

KEY	PART NO.	PART NAME	QTY	SERIAL NO.	REMARKS
1	19M8505	SCREW	2		
2	.....	PLATE	1		M6 X 25
3	.....	REAR VIEW MIRROR	1		
4	AZ31008	REAR VIEW MIRROR	1	-650537	(SUB AH142404)
5	03M7195	BOLT	1	-670498	M10 X 45
	19M7805	SCREW	1	29SEP7-	M10 X 1.5 X 45
6	24M7178	WASHER	1	-670498	10.500 X 30 X 2.500 MM
7	14M7296	FLANGE NUT	1	-670498	M10
8	19M7786	SCREW	AR	-670498	M10 X 30
9	H137447	NUT	3	-670498	
10	H134724	SUPPORT	1	-670498	
11A	H134723	SUPPORT	1	-645561	
11B	AH137725	SUPPORT	1		
	CC25449	SPACER	1	5JAN98-	
	H163409	SUPPORT	1	5JAN98-	
	H162850	BUSHING	1	5JAN98-	
	19M7790	SCREW	1	5JAN98-	M12 X 35
12	H134536	RAIL	1	-670498	
13	03M7196	BOLT	2	-670498	M10 X 50
	03M7216	BOLT	4	670499-	M8 X 50
	19M7800	SCREW	2	670499-	M8 X 50
14	AH130586	SHIELD	1	-29SEP7	
15	19M7805	SCREW	1	-670498	M10 X 45
16	.....	REAR VIEW MIRROR	1		
17	.....	BOLT	1		
18	.....	CLAMP	1		
19	.....	WASHER	1		
20	.....	NUT	1		
21	AH142404	REAR VIEW MIRROR	1		

# 4C15

OPERATOR'S STATION

**CAB AIR FILTER AND HOUSING**  
HP8201 -UN-27JUL99

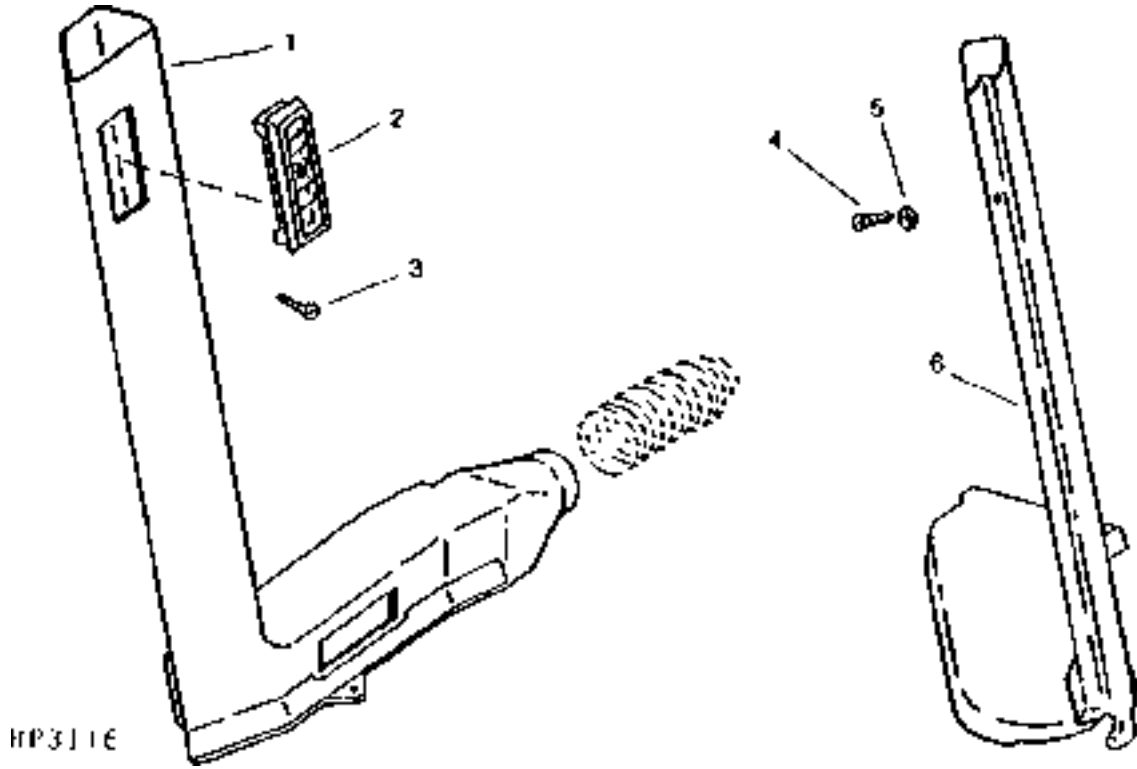


KEY	PART NO.	PART NAME	QTY	SERIAL NO.	REMARKS
1	AH115833	AIR FILTER	1		
2	AH132783	NUT	1		
3	R58806	SNAP RING	1		
4	AH120419	DOOR	1		
5	AH120446	KNOB	1		
6	AH80335	WEATHERSTRIP	1		
..	H150119	LABEL	1	650525-	"CHECK PRECLEANER AND PRECLEANER OPENING IN FLOOR (50 HRS)"
..	H149398	MEDALLION	1		ITALIAN; ON CAB AIR FILTER DOOR
..	H149399	MEDALLION	1		ITALIAN; ON CAN AIR FILTER DOOR

# 4C16

OPERATOR'S STATION

AIR CONDITIONING AND HEATER DUCTS  
HP3116 -UN-01JAN94

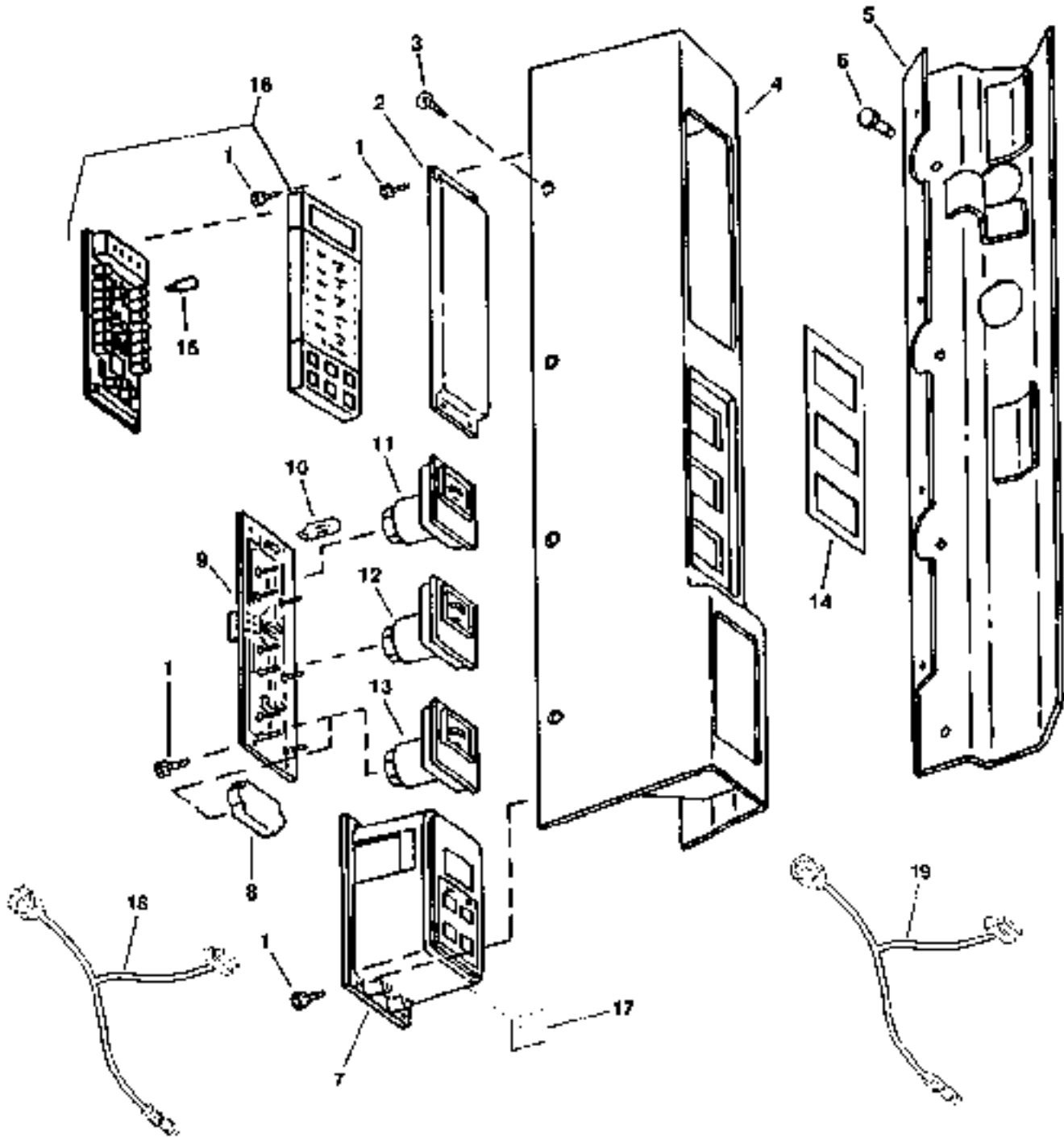


KEY	PART NO.	PART NAME	QTY	SERIAL NO.	REMARKS
1	H129553	HOUSING	1		
2	AH134522	GRILLE	6		
3	37M7160	SCREW	AR		
4	H165691	SCREW	AR	M6 X 16	
5	H91315	WASHER	AR	(SUB FOR H131591 OR H168780)	
6	H130515	AIR DUCT	1		

# 4C17

OPERATOR'S STATION

CAB POST INSTRUMENT PANEL  
HP7510 -UN-06MAY98



HP7510

## CAB POST INSTRUMENT PANEL - CONTINUED

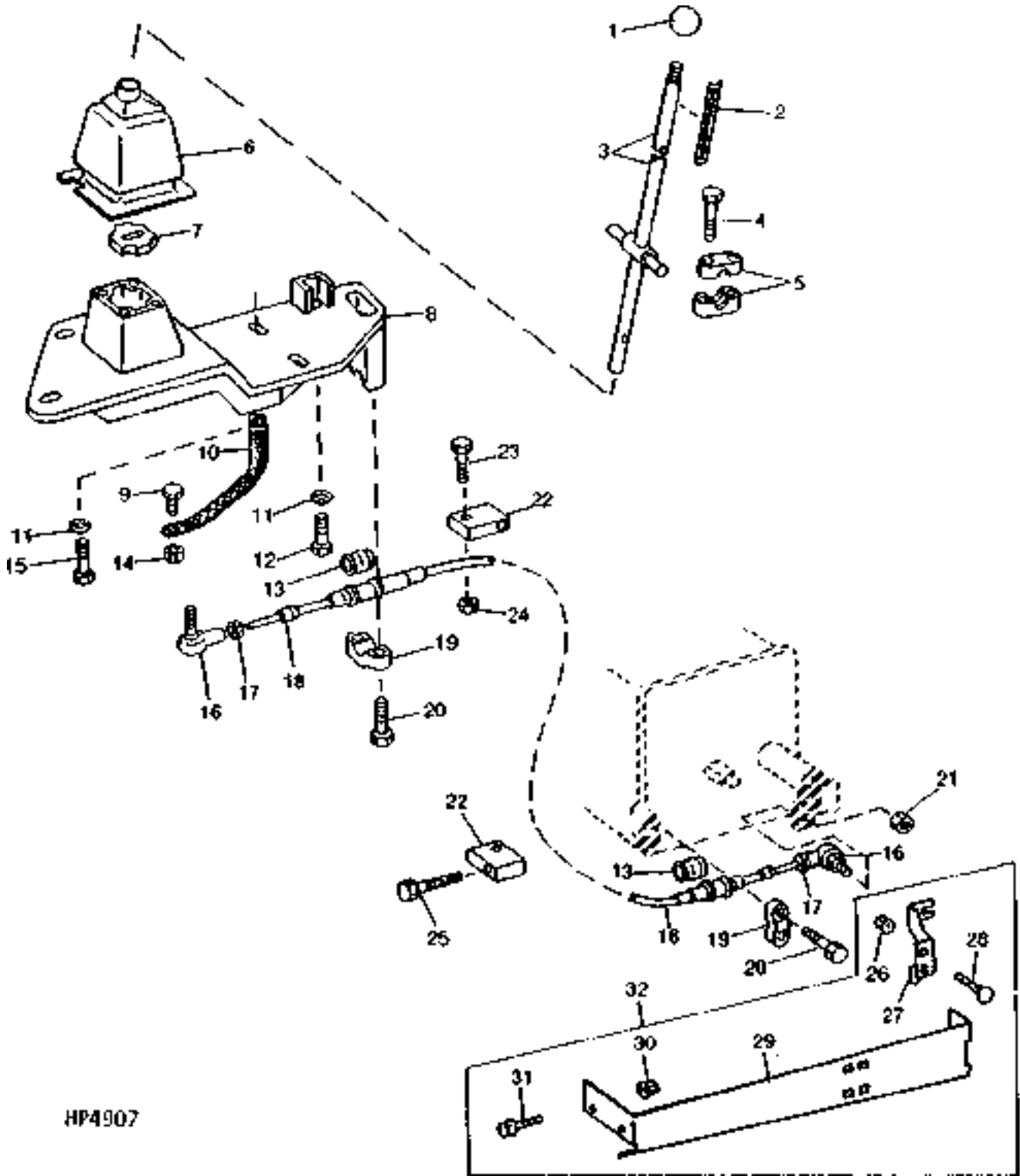
KEY	PART NO.	PART NAME	QTY	SERIAL NO.	REMARKS
1	21M7268	SCREW	AR		M3 X 6
2	H130058	PANEL	1		USE WITHOUT COMBINE DATA CENTER
3	H168424	SCREW	AR		M5 X 12, (SUB FOR H130195 OR H158579)
4	AH140609	PANEL	1		
5	AH120570	BRACKET	1		
6	37M7089	SCREW	AR		M6 X 12
7	AH163526	KIT	1		(SUB FOR AH139889, AH141791, AH142327, AH142490, AH143068, AH147555 OR AH159984) DIGITAL TACHOMETER WITH LABELS AND HARNESS
8	H129686	COVER	1		USE ONLY WITHOUT HARVESTRAK
9	AH141984	CIRCUIT BOARD	1		(SUB FOR AH127572) TACH ADJUSTS BY SWITCHES IN BACK
10	AA27536	BULB	3		
11	AH120444	GAUGE	1		FOR FUEL
12	AH139129	TEMPERATURE GAUGE	1	-665416	ENGINE
	AH148354	TEMPERATURE GAUGE	1	665417-	ENGINE
13	AH120445	GAUGE	1		HARVESTRAK
14	H145417	DECAL	1		GAUGE GRAPHICS DECAL
15	AH108380	BULB	20		
16	AH148192	KIT	1	-675101	(SUB FOR AH145565 OR AH142057) COMBINE DATA CENTER, INCLUDES LABELS AND INSTRUCTIONS
	AH162661	KIT	1	675102-	(SUB FOR AH157325 OR AH159207) COMBINE DATA CENTER, INCLUDES LABELS AND INSTRUCTIONS
17	R133617	LABEL	1	29SEP7-	
18	AH155577	WIRING HARNESS	1	29SEP7-	
19	AH155928	WIRING HARNESS	1	3NOV97-	
..	<b>BH80118</b>	<b>COMPLETE GOODS/SHIP. BUNDLE</b>	1		<b>HARVESTRAK</b>
..	<b>BH81356</b>	<b>COMPLETE GOODS/SHIP. BUNDLE</b>	1		<b>DIGITAL CONCAVE INDICATOR</b>

# 4C19

OPERATOR'S STATION

## GEARSHIFT LEVER AND LINKAGE

HP4907 -UN-01JAN94



# 4C20

OPERATOR'S STATION

## GEARSHIFT LEVER AND LINKAGE - CONTINUED

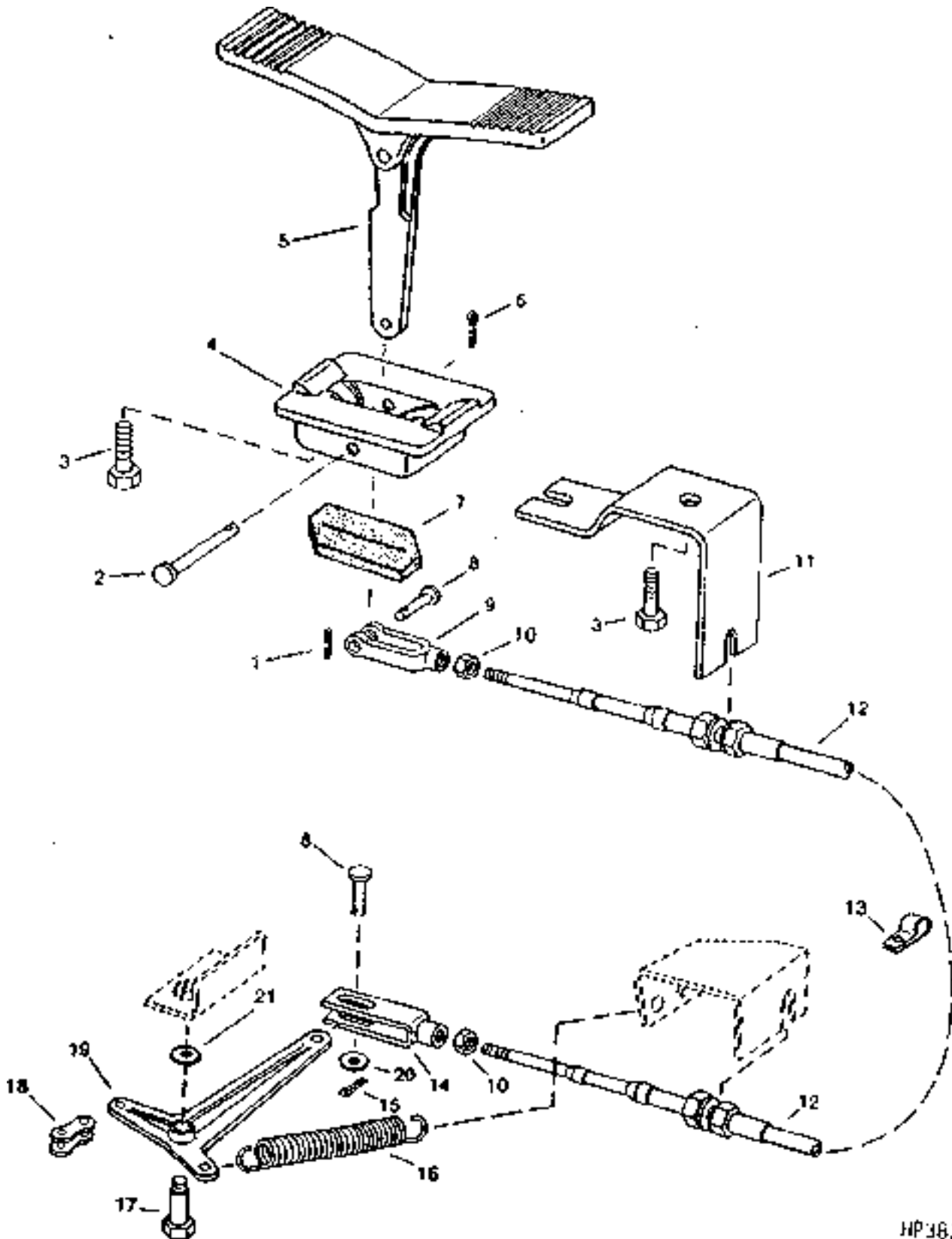
KEY	PART NO.	PART NAME	QTY	SERIAL NO.	REMARKS
1	H125518	KNOB	1		USE TY9373 OR TY9478 OR TY9371 TO SECURE
2	H149068	LABEL	1		(SUB FOR H134767)
	H149380	LABEL	1		ITALIAN
3	AH138707	ROD	1		INCLUDES H134767 LABEL
4	19M8318	SCREW	4		M8 X 45
5	H131040	BEARING	4		
6	H131041	BOOT	1		
7	H133660	SEAL	1		
8	H133636	HOUSING	1		
9	19M7788	SCREW	1		M12 X 25
10	AH125010	GROUND CABLE	1		
11	24H1296	WASHER	5		11/32" X 1-3/8" X 0.134"
12	19M8319	SCREW	1		M8 X 50
13	H133662	ISOLATOR	2		
14	14M7299	FLANGE NUT	1		M12
15	19M7867	SCREW	4		M8 X 25
16	AH125958	BALL JOINT	2		
17	14M7274	NUT	2		M10
18	AH128357	CABLE	1		
19	H133047	CLAMP	2		
20	19M8291	SCREW	4		M8 X 35
21	14M7296	FLANGE NUT	1		M10
22	H112162	CLAMP	4		
	AH77724	CLIP	3	655542-	
23	19M7799	SCREW	1		M8 X 45
24	14M7298	FLANGE NUT	1		M8
25	37M7149	SCREW	3		M8 X 50
26	14M7400	LOCK NUT	2		M10
27	.....	BRACKET	1		INC. IN AH138329 KIT
28	03M7190	BOLT	2		M10 X 20
29	.....	GUARD	1		INC. IN AH138329 KIT
30	14M7401	LOCK NUT	1		M12
31	19M7788	SCREW	1		M12 X 25
32	AH138329	KIT	1		
..	TY9370	ADHESIVE	1		6 OZ. MEDIUM STRENGTH (CANADA NUMBER TY9477)
..	T43514	GASKET	1		(SUB FOR TY9373)
..	TY9478	ADHESIVE	1		
..	TY9371	ADHESIVE	1		6 ML HIGH STRENGTH

# 4C21

OPERATOR'S STATION

## FEEDER HOUSE REVERSER FOOT CONTROL

HP3833 -UN-01JAN94



HP3833



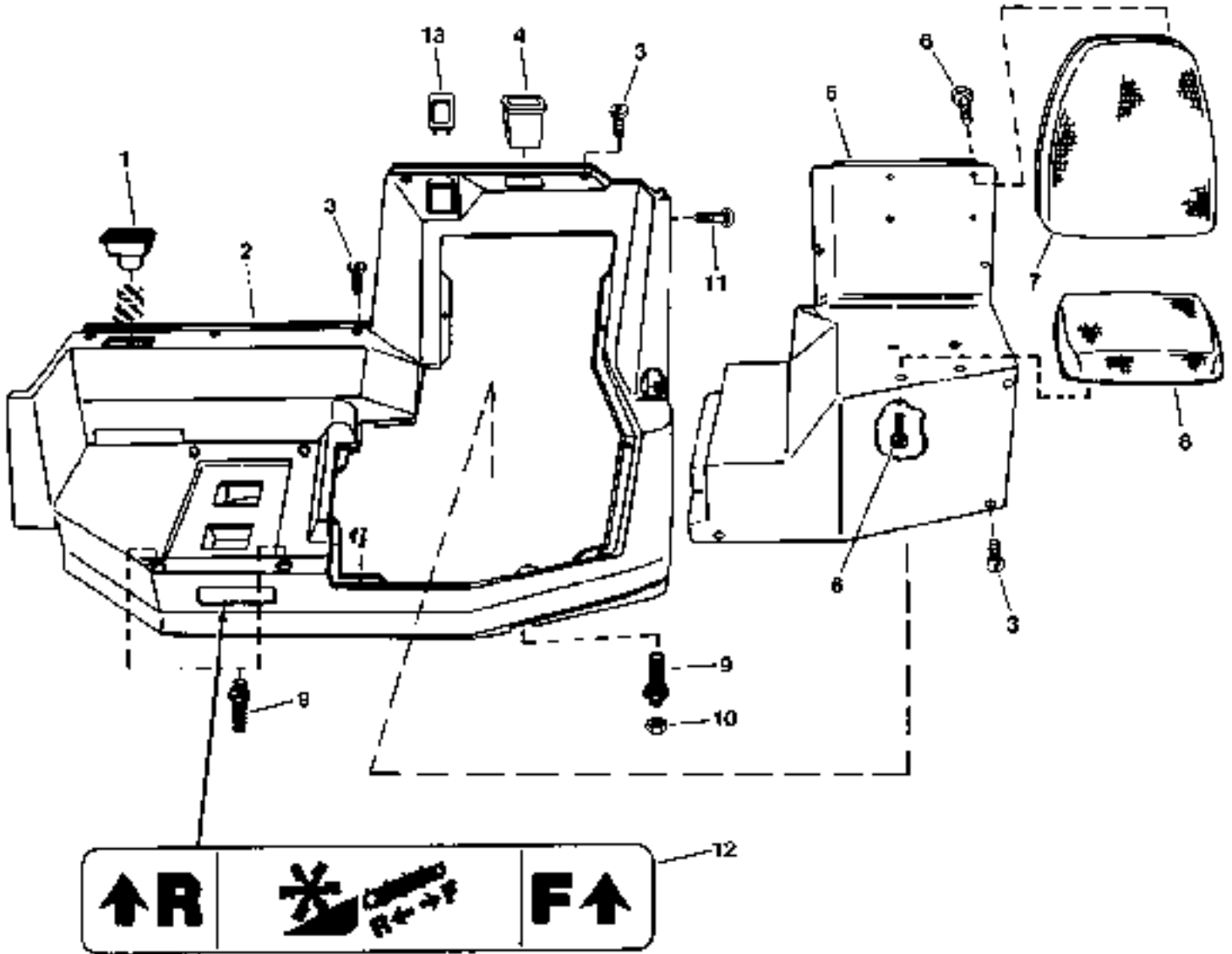
## FEEDER HOUSE REVERSER FOOT CONTROL - CONTINUED

KEY	PART NO.	PART NAME	QTY	SERIAL NO.	REMARKS
1	11M7082	COTTER PIN	1		
2	R65569	PIN	1		
3	19M7866	SCREW	4		M8 X 20
4	H134489	BEZEL	1		
5	H134488	PEDAL	1		
6	11M7081	COTTER PIN	1		2.500 X 20 MM
7	H133210	SEAL	1		
8	T16193	PIN	1		
9	H130646	YOKE	1		6.248 X 29.362 MM (0.246" X 1-5/32")
10	14M7273	NUT	2		
11	H133208	SUPPORT	1		
12	AH128452	PUSH PULL CABLE	1		
13	R73384	CLAMP	1		
14	AH127383	YOKE	1		
15	11M7082	COTTER PIN	1		2.500 X 25 MM
16	H84948	SPRING	1		
17	H127749	BOLT	1		
18	AE23791	CHAIN LINK	1		
19	H140836	BELLCRANK	1		BELLCRANK HAS TWO CONNECTING HOLES
20	24M7054	WASHER	1		6.400 X 12 X 1.600 MM
21	24M7047	WASHER	1		13 X 24 X 2.500 MM

# 4C23

OPERATOR'S STATION

SEAT SHROUDS AND TRAINING SEAT  
HP7236 -UN-04DEC97



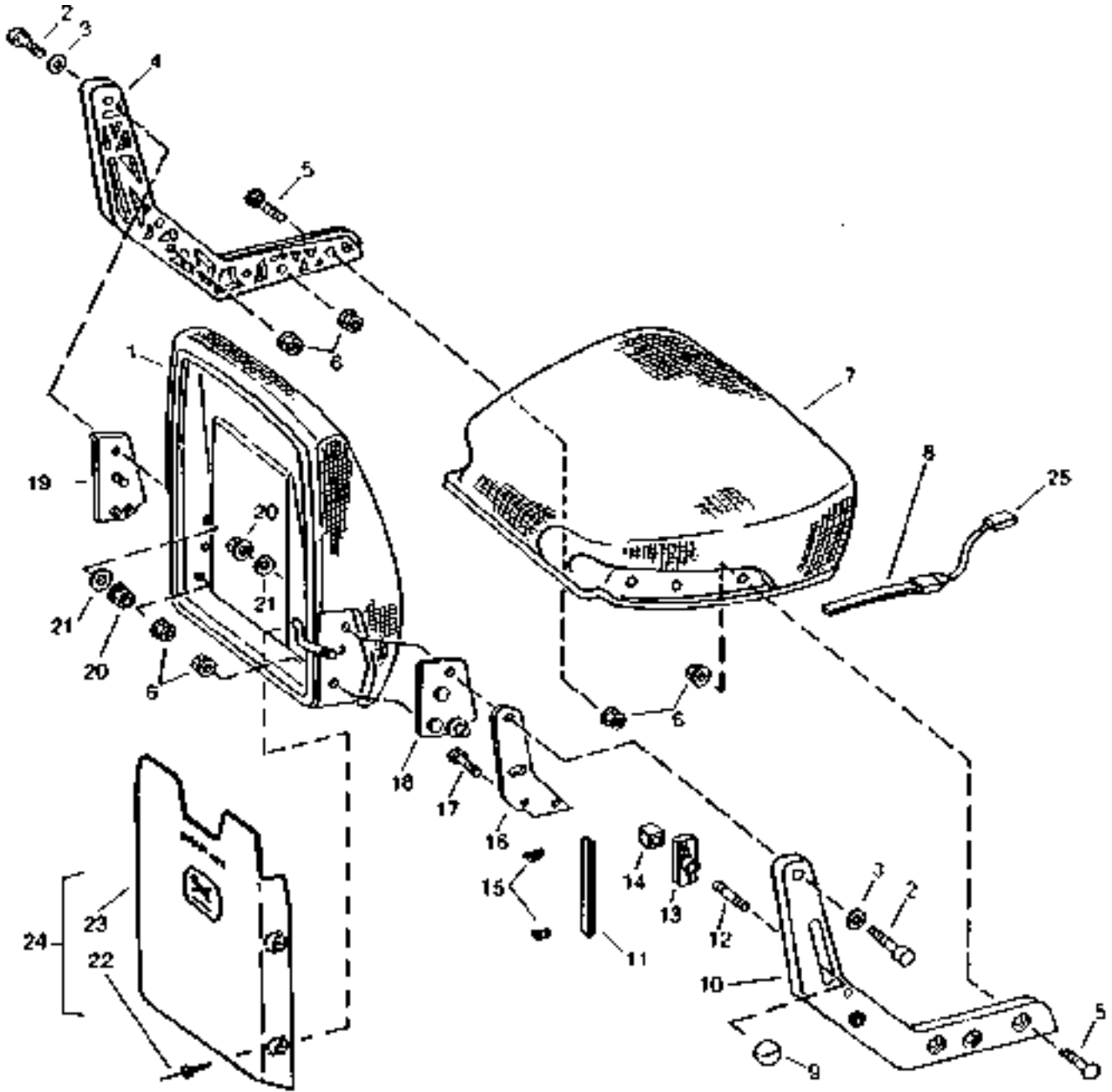
HP7236

## SEAT SHROUDS AND PASSENGER SEAT - CONTINUED

KEY	PART NO.	PART NAME	QTY	SERIAL NO.	REMARKS
1	AH134724	BOX	1		
2	AH145673	CONSOLE	1	-19MAY7	(SUB FOR AH131403)
	AH161929	CONSOLE	1	19MAY7-	(SUB FOR AH147537 OR AH148959)
3	H165691	SCREW	10		(SUB FOR H131591 OR H168780)
4	H116359	PAN	1	-29SEP7	
	H168433	CONTAINER	1	29SEP7-28SEP8	(SUB FOR H162048)
	H168436	PAN	1	28SEP8-	
5	H125459	COVER	1	-670498	(SERVICE ONLY)
6	19M8331	CAP SCREW	8		M8 X 20
7	AH108389	SEAT	1	-19MAY7	
	AH147066	SEAT	1	19MAY7-	
8	AH138111	SEAT	1		
9	H123740	STUD	6	-17JUN6	
	H150455	STUD	6		
10	14M7296	FLANGE NUT	4		
11	H132451	CAP SCREW	3		
12	H137823	PANEL	1		
13	H161091	BEZEL	1	4AUG97-	
..	<b>BH78343</b>	<b>COMPLETE GOODS/SHIP. BUNDLE</b>	<b>1</b>		<b>PASSENGER SEAT</b>

# 4D1

OPERATOR'S SEAT AND BACKREST  
HP3132 -UN-01JAN94



HP3132

## OPERATOR'S SEAT AND BACKREST - CONTINUED

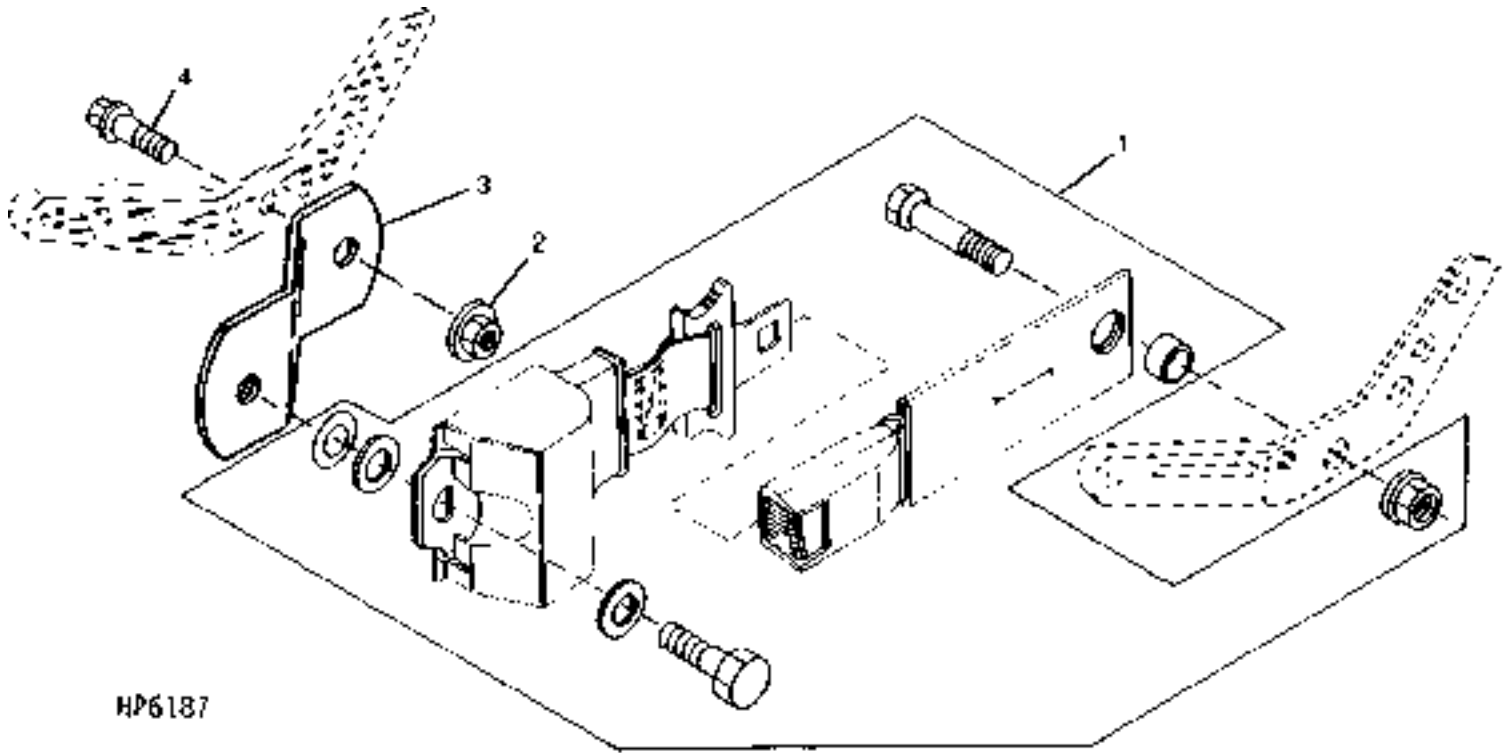
KEY	PART NO.	PART NAME	QTY	SERIAL NO.	REMARKS
1	RE12049	CUSHION	1	(INCLUDES AR71107)	
2	R59019	SCREW	2		
3	T519T	WASHER	2	12.700 X 19.050 X 0.381 MM	
4	R89143	SUPPORT	1		
5	R59015	GANG BOLT	4	9.525 X 31.750 MM	
6	N10215	LOCK NUT	8	9.525 MM	
7	AH145065	SEAT	1	(SUB FOR AN192773)	
8	AH127662	SWITCH	1		
9	R60458	KNOB	1		
10	R89142	SUPPORT	1		
11	R59009	REINFORCEMENT	1		
12	R59012	WELD STUD	1		
13	R105581	ADJUSTER	1		
14	R59018	BUSHING	1		
15	R31890	SPRING	2		
16	R59011	PLATE	1		
17	37H120	SCREW	1	0.164" X 1/2"	
18	AR71108	PLATE	1		
19	AR71109	PLATE	1		
20	H99923	LOCK NUT	2	9.525 MM	
21	R53665	WASHER	2	10.312 X 17.450 X 1.524 MM	
22	.....	RIVET	1	IN RE13541 KIT	
23	.....	HOLDER	1	IN RE13541 KIT	
24	RE13541	KIT	1		
25	R78053	PIN CONTACT CONNECTOR BODY	1	(PKG OF 3)	
	R78063	TERMINAL NIPPLE	1	(PKG OF 40)	
	R78058	PIN CONTACT	1	(PKG OF 40)	
..	AR71107	CUSHION	1		

# 4D3

OPERATOR'S STATION

## OPERATOR'S SEAT SEATBELT

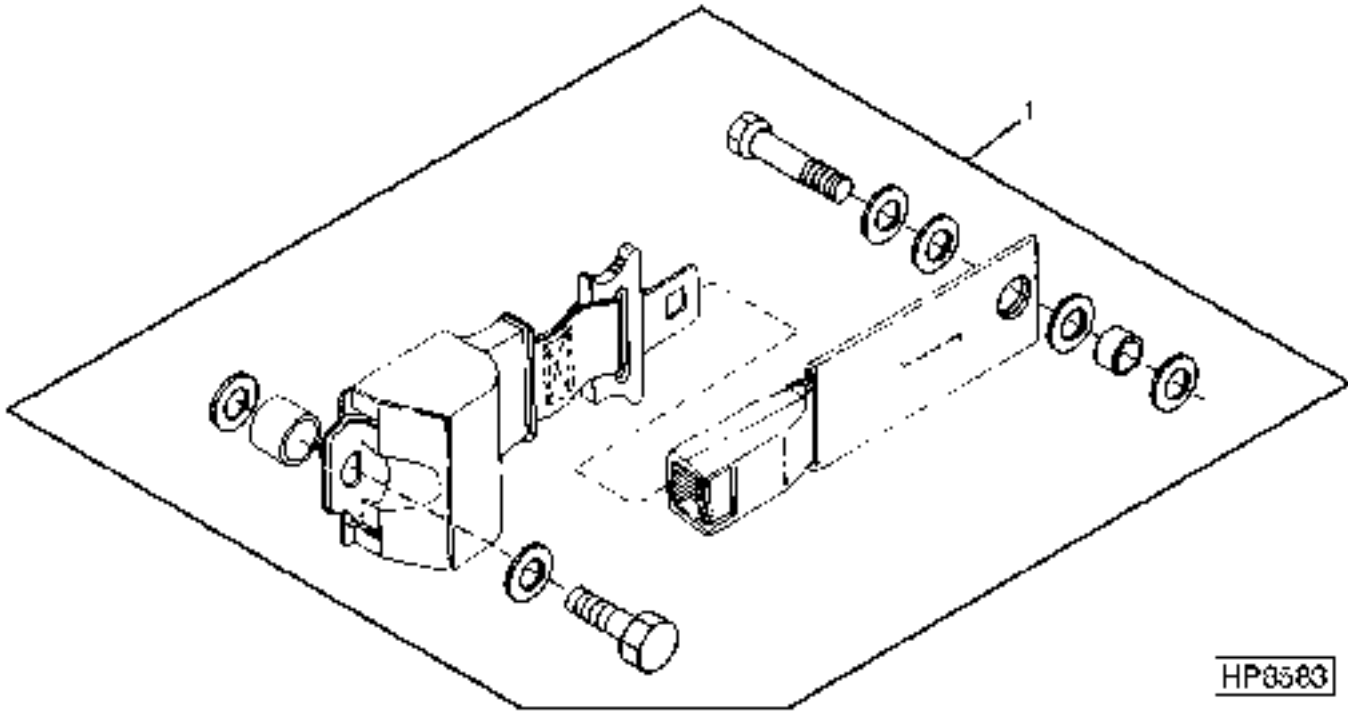
(665401- )  
 HP6187 -UN-18OCT95



KEY	PART NO.	PART NAME	QTY	SERIAL NO.	REMARKS
1	AH146742	SEAT BELT	1		
2	14M7400	LOCK NUT	1	M10	
3	AH147030	BRACKET	1	(MOUNTING)	
4	19M7835	SCREW	1	M10 X 35	
..	<b>BH81159</b>	<b>COMPLETE GOODS/SHIP. BUNDLE</b>	<b>1</b>	<b>RETROFIT SEAT BELT KIT - FOR ALL MACHINES PRIOR TO 1996 MODEL YEAR</b>	

**PASSENGER SEAT SEATBELT**

(665401- )  
 HP8583 -UN-02JUN99



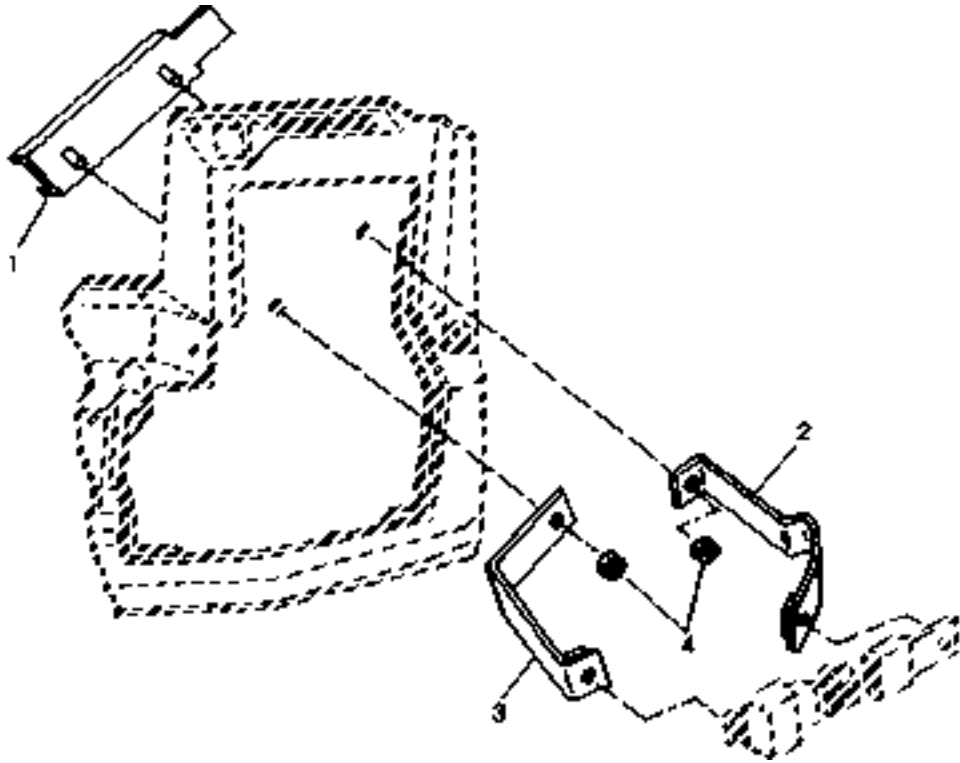
KEY	PART NO.	PART NAME	QTY	SERIAL NO.	REMARKS
1	AH147153	SEAT BELT	1		
..	<b>BH81159</b>	<b>COMPLETE GOODS/SHIP. BUNDLE</b>	<b>1</b>		<b>RETROFIT SEAT BELT KIT - FOR ALL MACHINES PRIOR TO 1996 MODEL YEAR</b>

# 4D5

OPERATOR'S STATION

## RETROFIT SEAT BELT KIT (FOR ALL MACHINES PRIOR TO 1996 MODEL YEAR)

HP6265 -UN-23JAN96



HP6265

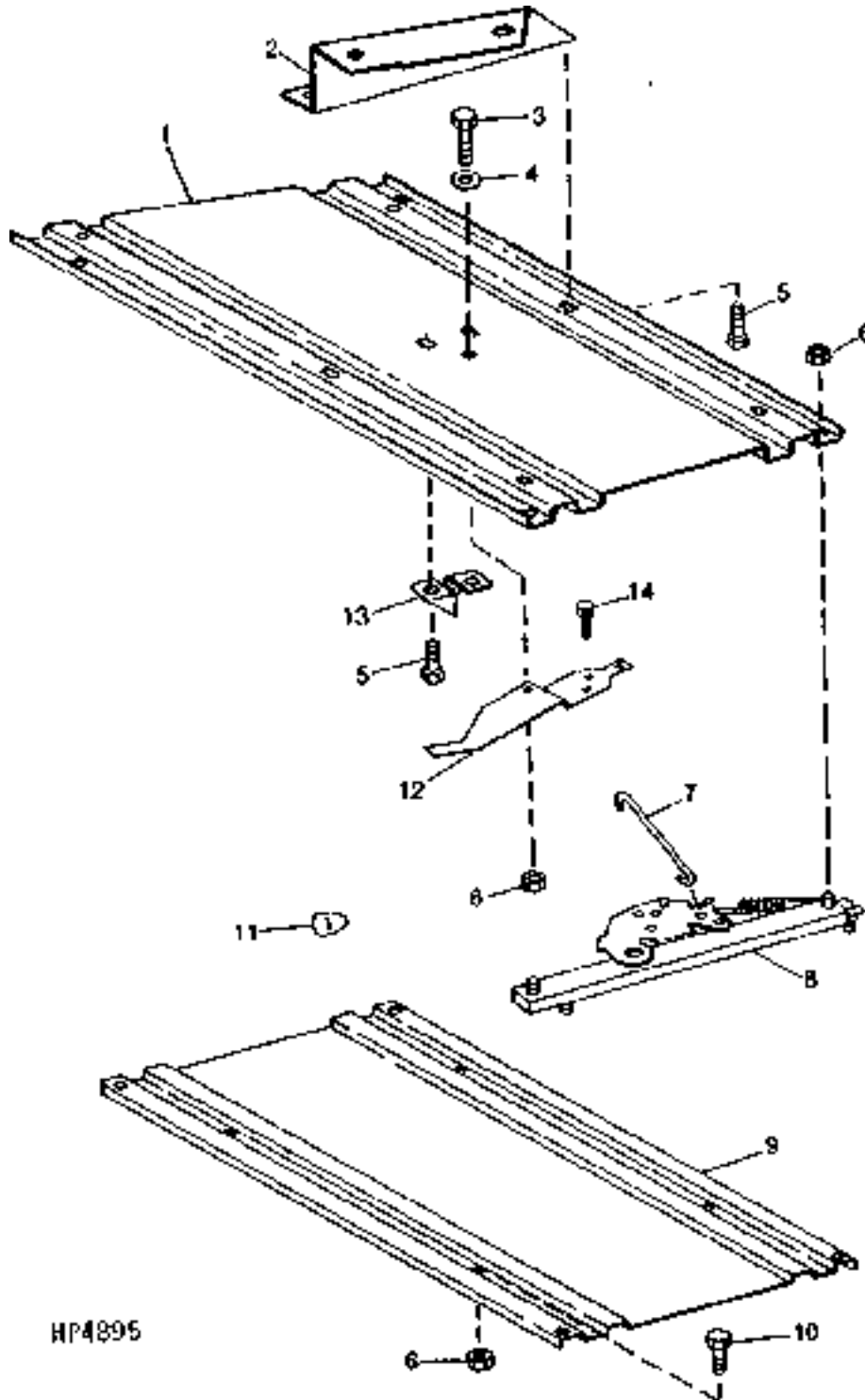
KEY	PART NO.	PART NAME	QTY	SERIAL NO.	REMARKS
1	AH148225	BRACKET	1		
2	AH148227	BRACKET	1	L.H.	
3	AH148226	BRACKET	1	R.H.	
4	14M7296	FLANGE NUT	2	M10	
..	<b>BH81159</b>	<b>COMPLETE GOODS/SHIP. BUNDLE</b>	1	<b>RETROFIT SEAT BELT KIT</b>	



MEMORANDA

# 4D6

SEAT ADJUST FORE-AND-AFT  
HP4895 -UN-01JAN94



# 4D7

OPERATOR'S STATION

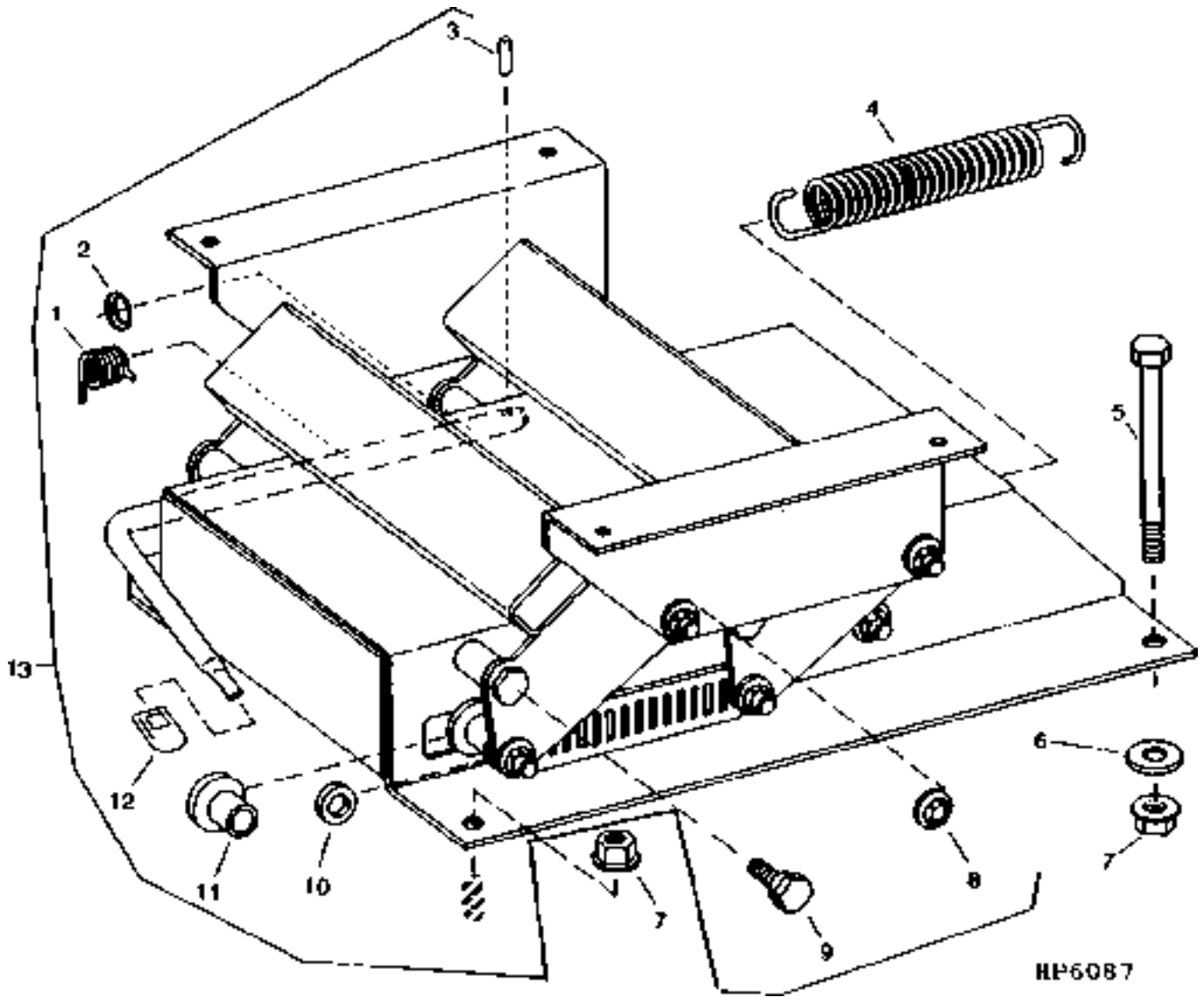
## SEAT ADJUST FORE AND AFT - CONTINUED

KEY	PART NO.	PART NAME	QTY	SERIAL NO.	REMARKS
1	AH116313	PLATE	1		
2	AH110674	BRACKET	2		
3	19M7868	SCREW	1		M8 X 30
4	24H1296	WASHER	1		11/32" X 1-3/8" X 0.134"
5	19M7866	SCREW	6		M8 X 20
6	14M7424	FLANGE NUT	13	-645550	M8
	14M7298	FLANGE NUT	13	645551-	
7	H96391	PIN	2		
8	AH122648	ADJUSTER	2		
9	H115987	PLATE	1		
10	19M8331	CAP SCREW	4		M8 X 20
11	H83055	KNOB	1		
12	H141289	LEVER	1		
13	H144274	BUMPER	1		
14	37M7089	SCREW	3		M6 X 12

# 4D8

OPERATOR'S STATION

CAB SEAT HEIGHT ADJUSTER ( VERTICAL CONTROL )  
HP6087 -UN-07JUN95



# 4D9

OPERATOR'S STATION

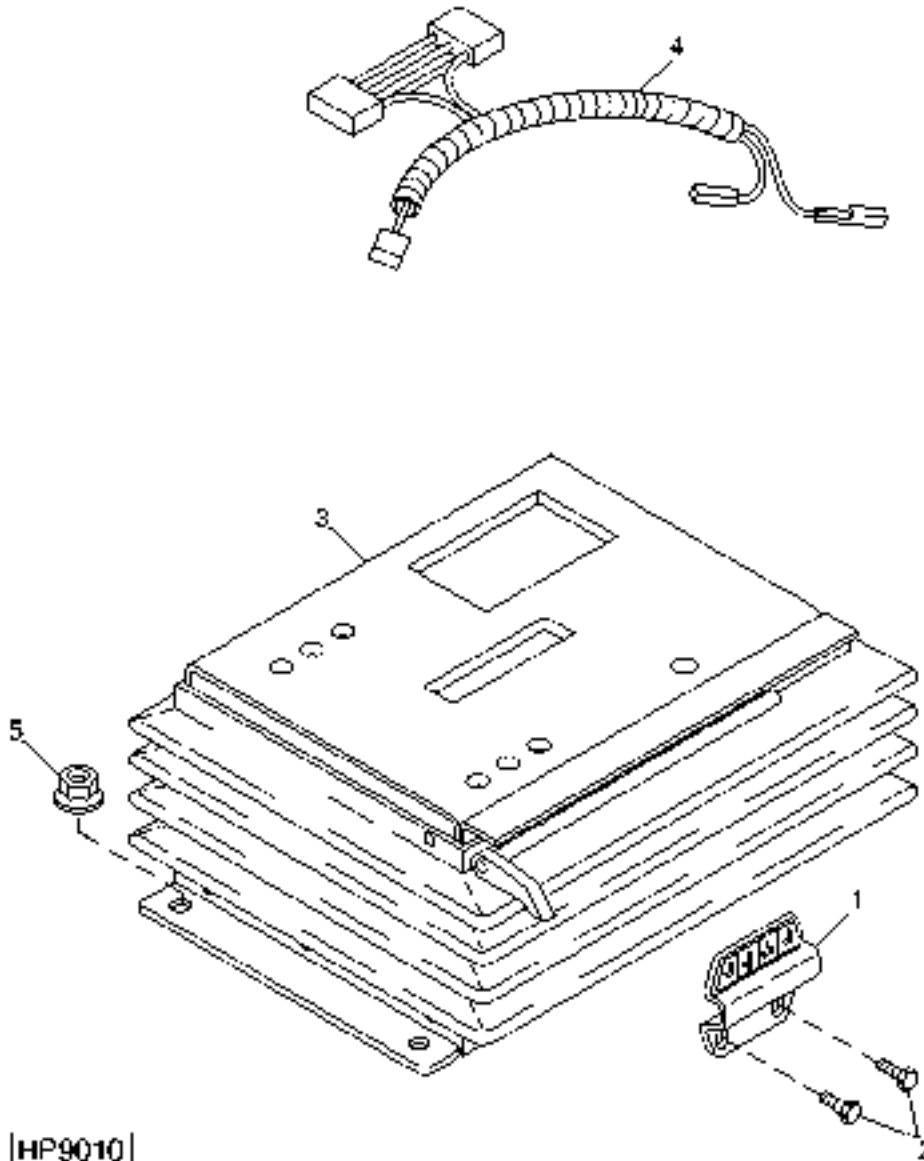
**CAB SEAT HEIGHT ADJUSTER ( VERTICAL CONTROL ) - CONTINUED**

KEY	PART NO.	PART NAME	QTY	SERIAL NO.	REMARKS
1	AT106398	KIT	1		(SUB FOR T62828)
2	P48925	SHIM	AR		
3	34H262	SPRING PIN	1		
4	H137417	LEAF SPRING	2		
5	H132452	CAP SCREW	2	-27MAY7	
6	24M7178	WASHER	2		
7	14M7296	FLANGE NUT	4		
8	H86886	NUT	AR		12.700 MM, (SUB FOR E58183)
9	H137418	BOLT	4		
10	H137421	WASHER	2		
11	H137420	HALF SLEEVE	2		
12	T55201	GRIP	1		
13	AH113301	ADJUSTER	1		
..	AH156332	SEAT	2	-27MAY7	
..	14M7298	FLANGE NUT	4	-27MAY7	M8
..	AH156727	KIT	1	-27MAY7	

# 4D10

OPERATOR'S STATION

AIR SEAT SUSPENSION  
(660401- )  
HP9010 -UN-03SEP99



|HP9010|

# 4D11

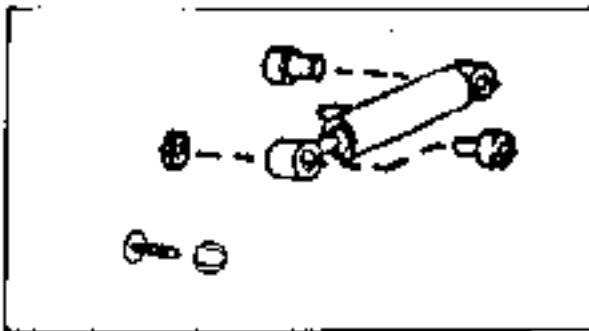
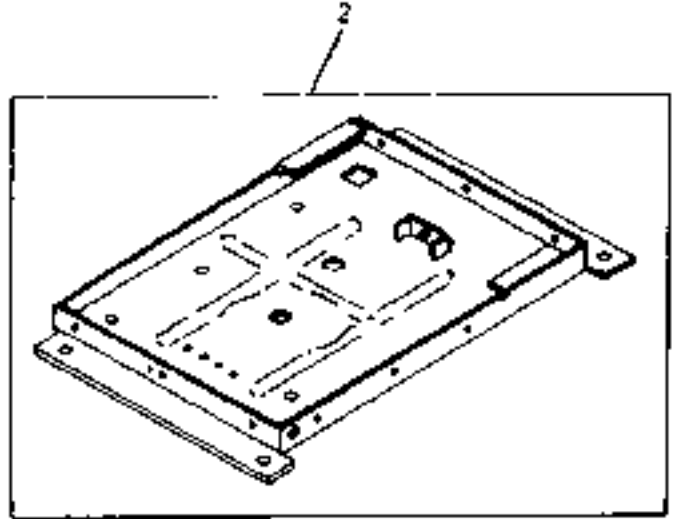
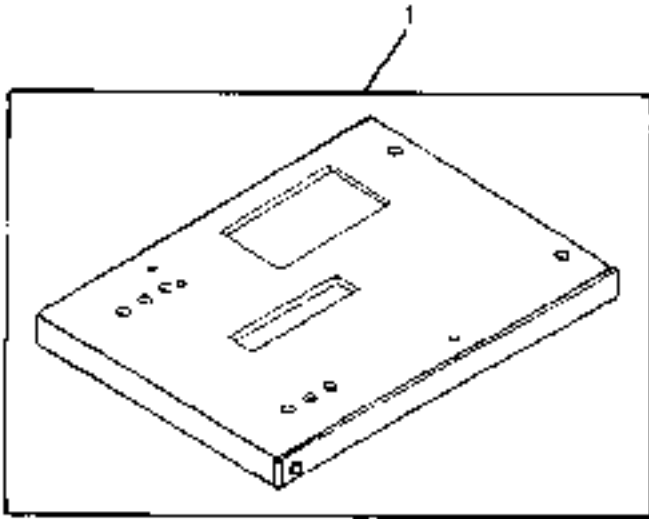
OPERATOR'S STATION

**AIR SEAT SUSPENSION - CONTINUED**  
(660401- )

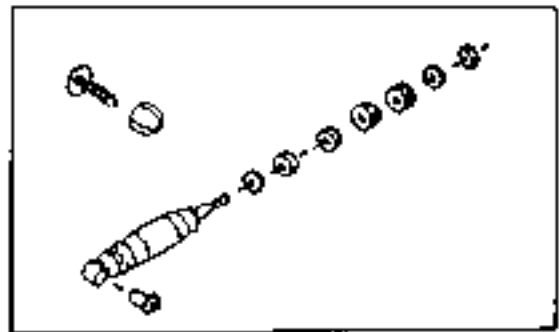
KEY	PART NO.	PART NAME	QTY	SERIAL NO.	REMARKS
1	AH144778	PANEL	1		
2	37M7089	SCREW	2		M6 X 12
3	AH140206	SEAT SUSPENSION	1	-660400	
	AH157491	SEAT SUSPENSION	1	660401-	
4	AH146032	WIRING HARNESS	1		
5	H137859	FLANGE NUT	4		
..	<b>BH81076</b>	<b>COMPLETE GOODS/SHIP. BUNDLE</b>	<b>1</b>		<b>AIR RIDE SEAT</b>

## AIR SEAT SUSPENSION KITS

(665401- )  
HP6191 -UN-08OCT97



HP6191



4



# 4D13

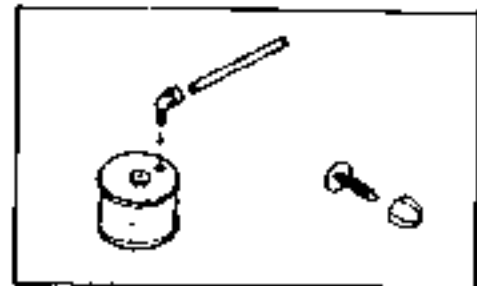
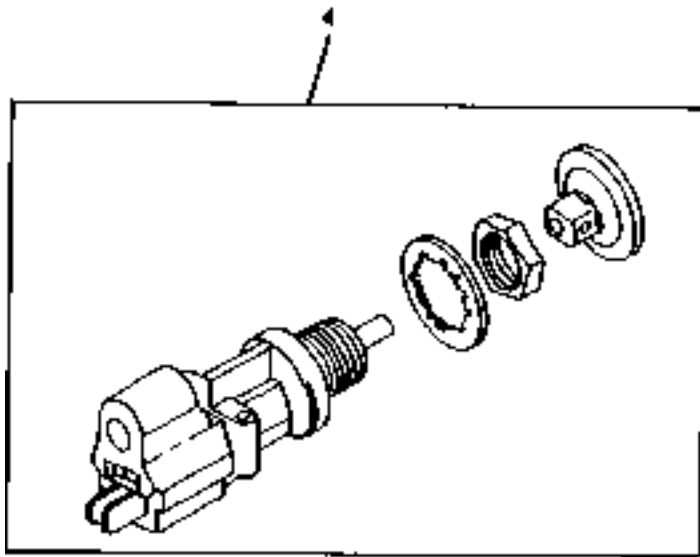
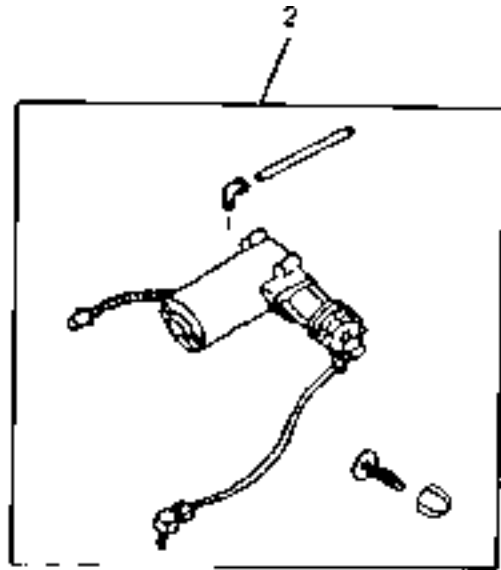
OPERATOR'S STATION

**AIR SEAT SUSPENSION KITS - CONTINUED**  
(665401- )

KEY	PART NO.	PART NAME	QTY	SERIAL NO.	REMARKS
1	AH146234	KIT	1		UPPER HOUSING
2	AH136937	KIT	1		LOWER HOUSING
3	RE65695	SEAT SHOCK ABSORBER KIT	1		SHOCK ABSORBER
4	RE52553	SEAT SHOCK ABSORBER KIT	1		FORE/AFT

## AIR SEAT SUSPENSION KITS

(665401- )  
HP6192 -UN-03OCT95



HP6192

# 4D15

OPERATOR'S STATION

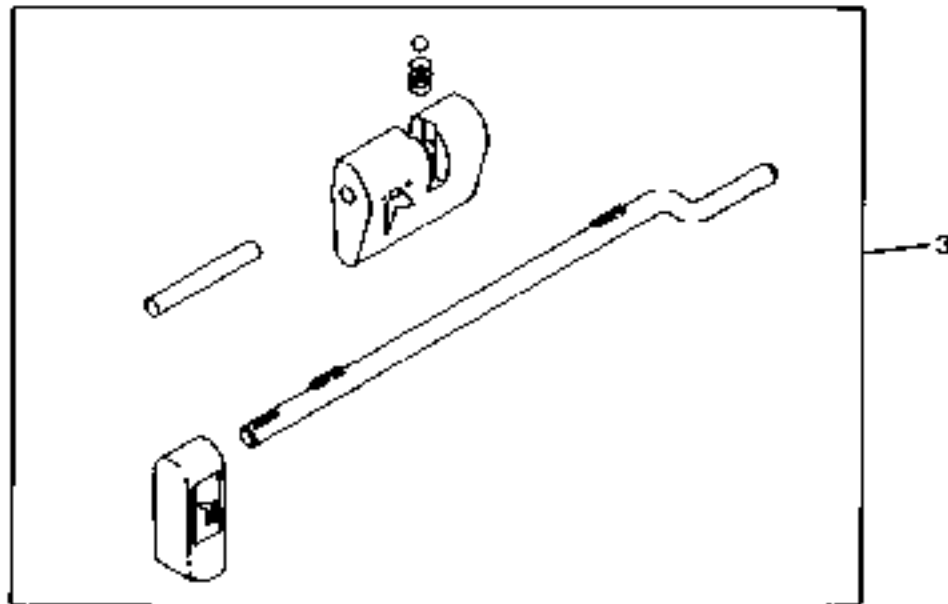
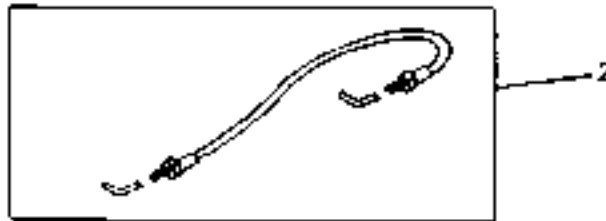
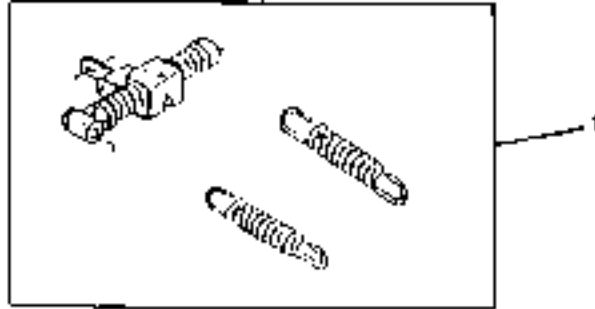
**AIR SEAT SUSPENSION KITS - CONTINUED**  
(665401- )

KEY	PART NO.	PART NAME	QTY	SERIAL NO.	REMARKS
1	RE65693	COMPRESSOR FILTER KIT	1		
2	AH136929	KIT	1		COMPRESSOR
3	RE65694	AIR SPRING SEAT KIT	1		AIR SPRING
4	AH136930	KIT	1		HT. ADJ. SWITCH VALVE

# 4D16

## AIR SEAT SUSPENSION KITS

(665401- )  
HP6193 -UN-03OCT95



HP6193

# 4D17

OPERATOR'S STATION

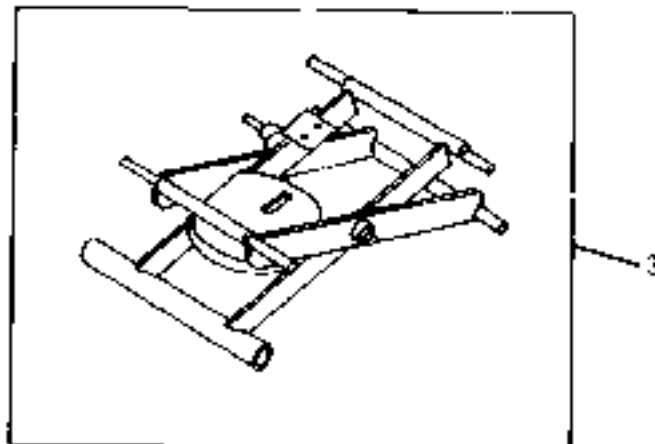
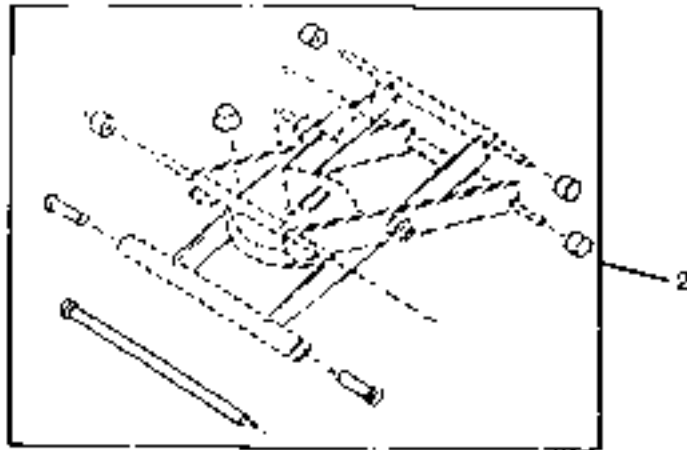
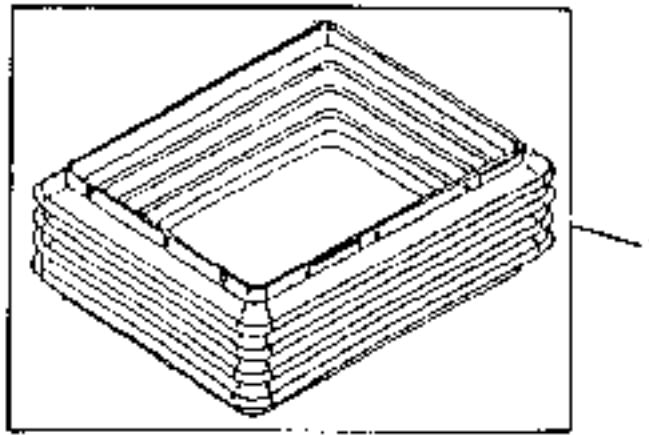
**AIR SEAT SUSPENSION KITS - CONTINUED**  
(665401- )

KEY	PART NO.	PART NAME	QTY	SERIAL NO.	REMARKS
1	RE65696	SEAT ATTENUATOR SPRING KIT	1	-18AUG7	ATTENUATOR SPRING
	AH157634	KIT	1	18AUG7-	FORE/AFT ISOLATOR
2	AH136935	KIT	1		RIDE FIRMNESS ADJ. CABLE
3	AH136934	KIT	1	-18AUG7	KNOB (INCLUDES 2 KNOBS)
	AH157557	KIT	1	18AUG7-	KNOB

# 4D18

## AIR SEAT SUSPENSION KITS

(665401- )  
HP6194 -UN-03OCT95



HP6194

# 4D19

OPERATOR'S STATION

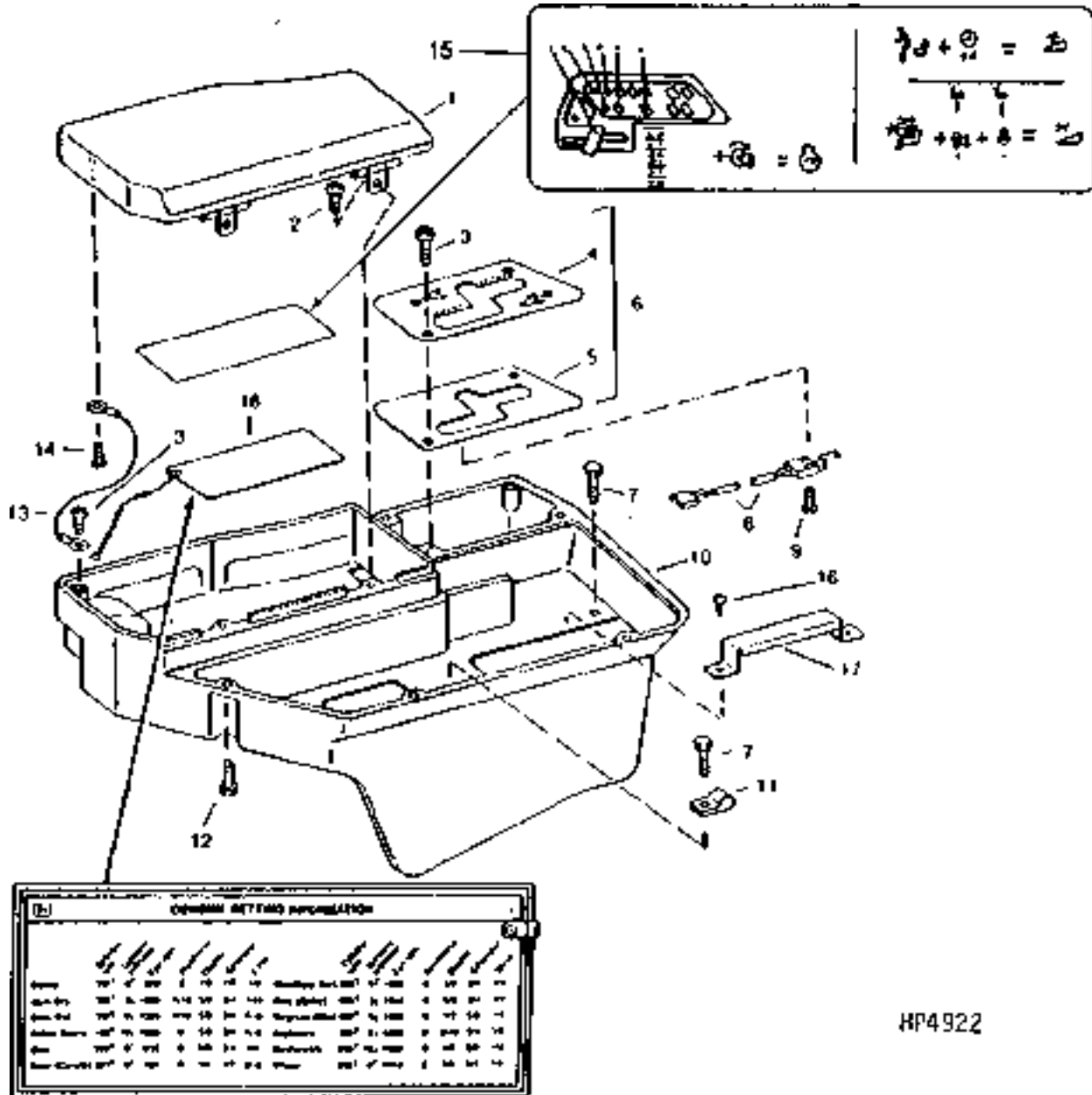
**AIR SEAT SUSPENSION KITS - CONTINUED**  
(665401- )

KEY	PART NO.	PART NAME	QTY	SERIAL NO.	REMARKS
1	RE52555	SEAT SUSPENSION BOOT KIT	1		
2	RE63832	SEAT BEARING ROLLER KIT	1		
3	AH136936	KIT	1	SCISSOR	

# 4D20

OPERATOR'S STATION

ARMREST WITH GLOVE BOX (R.H.)  
HP4922 -UN-01JAN94



HP4922



# 4D21

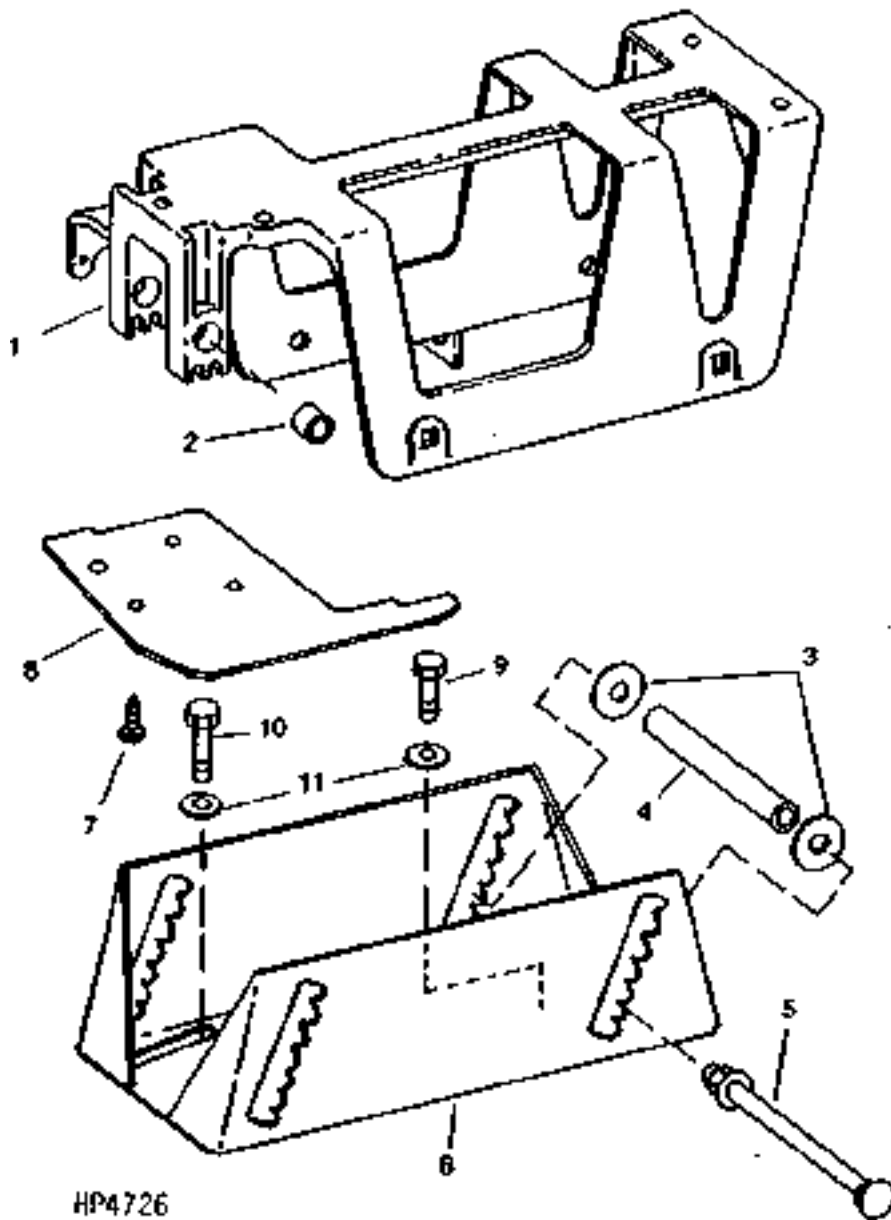
OPERATOR'S STATION

ARMREST WITH GLOVE BOX (R.H.) - CONTINUED

KEY	PART NO.	PART NAME	QTY	SERIAL NO.	REMARKS
1	AH117067	COVER	1		
2	H123995	SCREW	2		
3	H111706	SCREW	2		
4	H145082	PANEL	1		
5	.....	GUIDE	1		
6	AH139119	DRAWER SLIDE	1		
7	37M7091	SCREW	4	M6 X 25	
8	AH163708	NEUTRAL START SWITCH	1		(SUB FOR AH127390) ENGINE SAFETY START SWITCH
9	37M7066	SCREW	2		
10	H168425	CONSOLE	1		(SUB FOR H151165, H144244, H126470)
11	H77358	CLIP	1		
12	H111705	SCREW	4		
13	AH124857	WIRING LEAD	1		
14	37M7215	SCREW	1		
15	H146315	LABEL	1		ENGINE START AND SEAT SAFETY SWITCH DECAL
16	H111364	SCREW	2	M3.5 X 12	
17	H140396	GUARD	1		
18	AH148596	INSTRUCTION PLATE	1		(SUB FOR AH144101) ENGLISH
	AH144102	PLACE CARD	1	-665400	ITALIAN
	AH148595	INSTRUCTION PLATE	1	665401-	ITALIAN

# 4D22

## ARMREST ADJUSTING MECHANISM (R.H.) HP4726 -UN-01JAN94



# 4D23

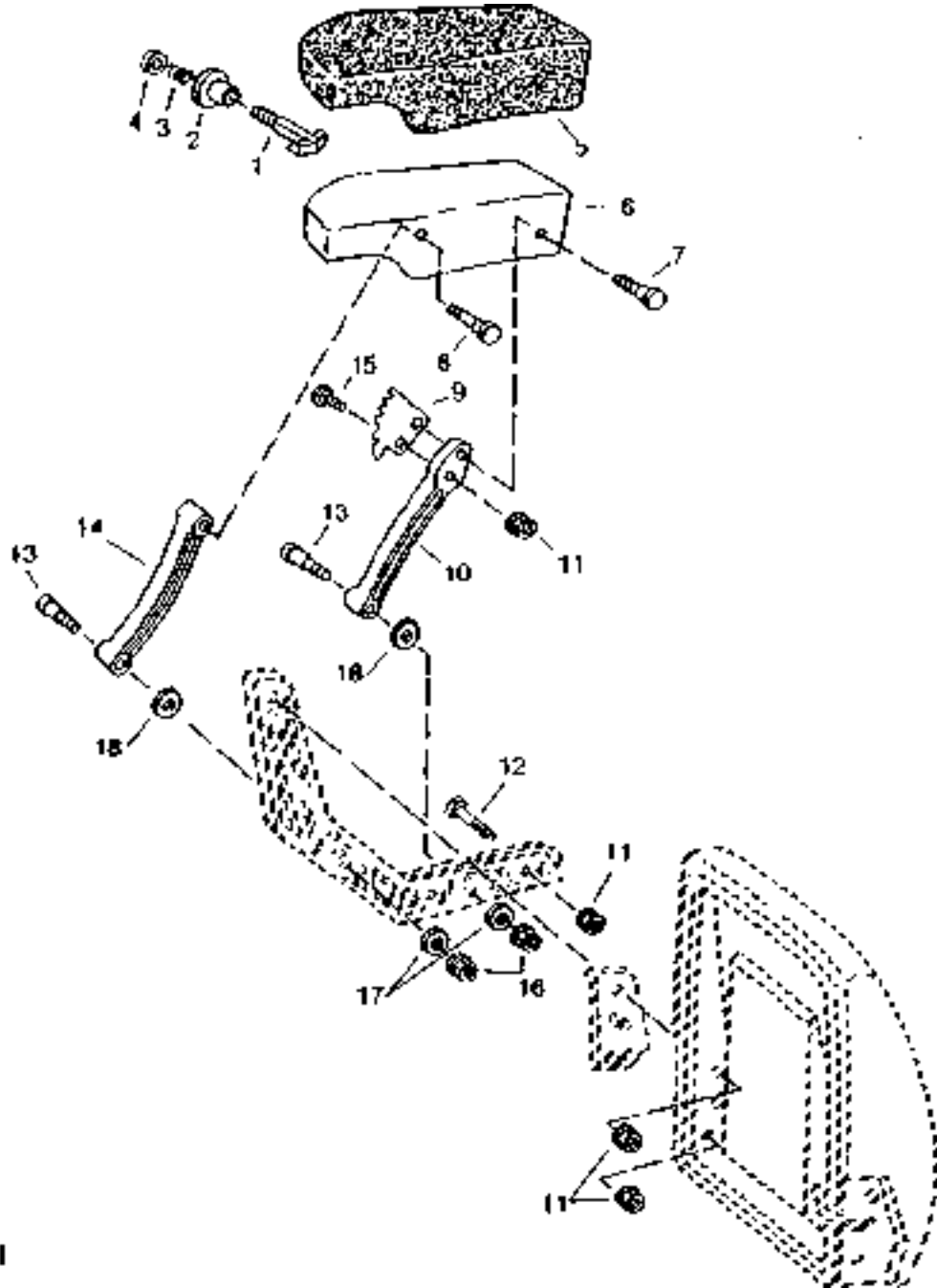
OPERATOR'S STATION

## ARMREST ADJUSTING MECHANISM (R.H.) - CONTINUED

KEY	PART NO.	PART NAME	QTY	SERIAL NO.	REMARKS
1	H137854	SUPPORT	1		
2	H96455	BUSHING	2		
3	H137858	WASHER	4		11 X 34 X 3 MM
4	H137856	SPACER	2		
5	H137857	BOLT	2		M10 X 170
	H137859	FLANGE NUT	2		
6	H137855	SUPPORT	1		
7	37M7165	SCREW	3		(SUB FOR 37M7155)
8	H143439	COVER	1		
9	19M8331	CAP SCREW	2		M8 X 20
10	19M8330	SCREW	1		M8 X 35
11	24M7207	WASHER	3		8.400 X 24 X 2 MM

# 4D24

ARMREST (L.H.)  
HP3131 -UN-01JAN94



HP3131

# 4D25

OPERATOR'S STATION

## ARMREST (L.H.) - CONTINUED

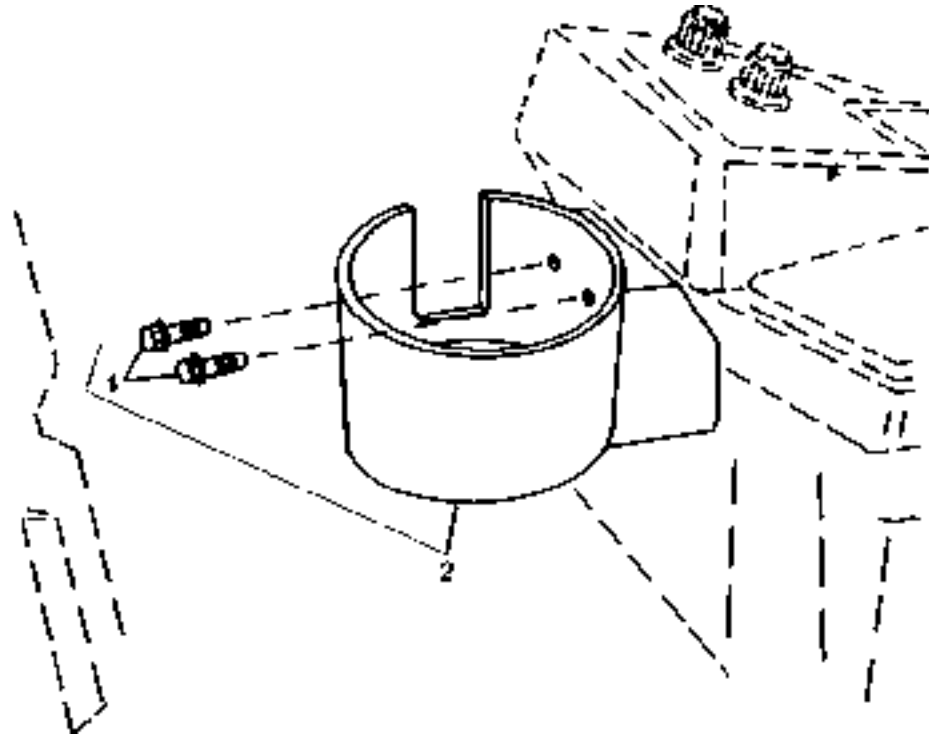
KEY	PART NO.	PART NAME	QTY	SERIAL NO.	REMARKS
1	R59070	SHAFT KEY	1		
2	R59028	BUSHING	1		
3	A4741R	SPRING	1		
4	R59029	KNOB	1		
5	H120099	CUSHION	1		
6	R107823	ARMREST	1		MADE OF PLASTIC
7	R59021	PIN	1		
8	R59023	PIN	1		
9	R61862	PLATE	1		
10	R59020	LINK	1		
11	N10215	LOCK NUT	1		
12	R59015	GANG BOLT	1		
13	R59022	SCREW	2		
14	R59013	LINK	1		
15	03H1765	BOLT	1		
16	H99923	LOCK NUT	2		
17	R53665	WASHER	2		
18	R27441	WASHER	2		

# 4E1

OPERATOR'S STATION

## CUP HOLDER

(660401- )  
HP5912 -UN-17DEC94

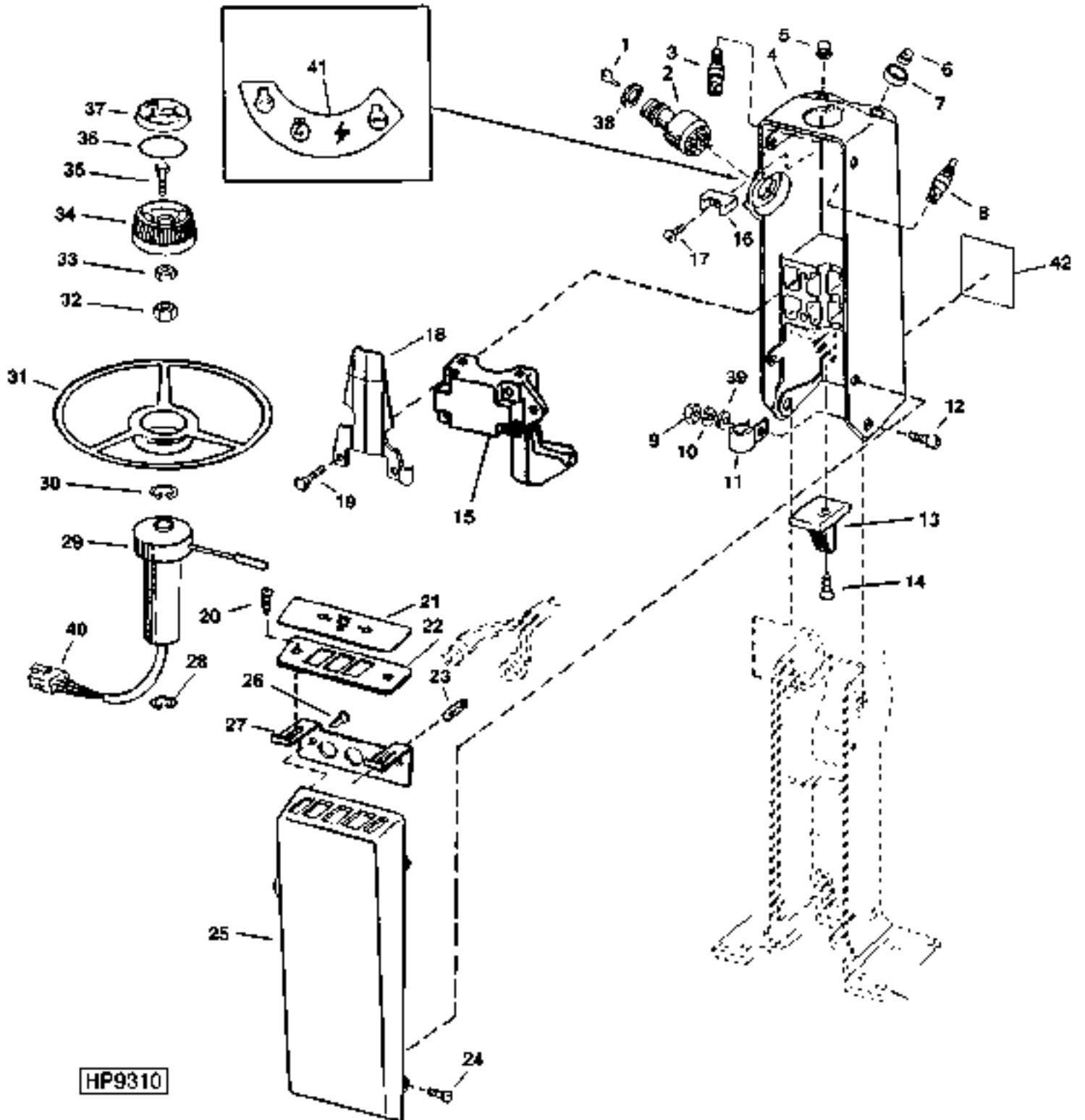


HP5912

KEY	PART NO.	PART NAME	QTY	SERIAL NO.	REMARKS
1	H151166	SCREW	2	-29SE97	M6 X 16
	H168428	SCREW	2	30SE97-	
2	AH145616	HOLDER	1		(SUB FOR H151062)

MEMORANDA

STEERING COLUMN (UPPER)  
HP9310 -UN-18NOV99



HP9310



# 4E3

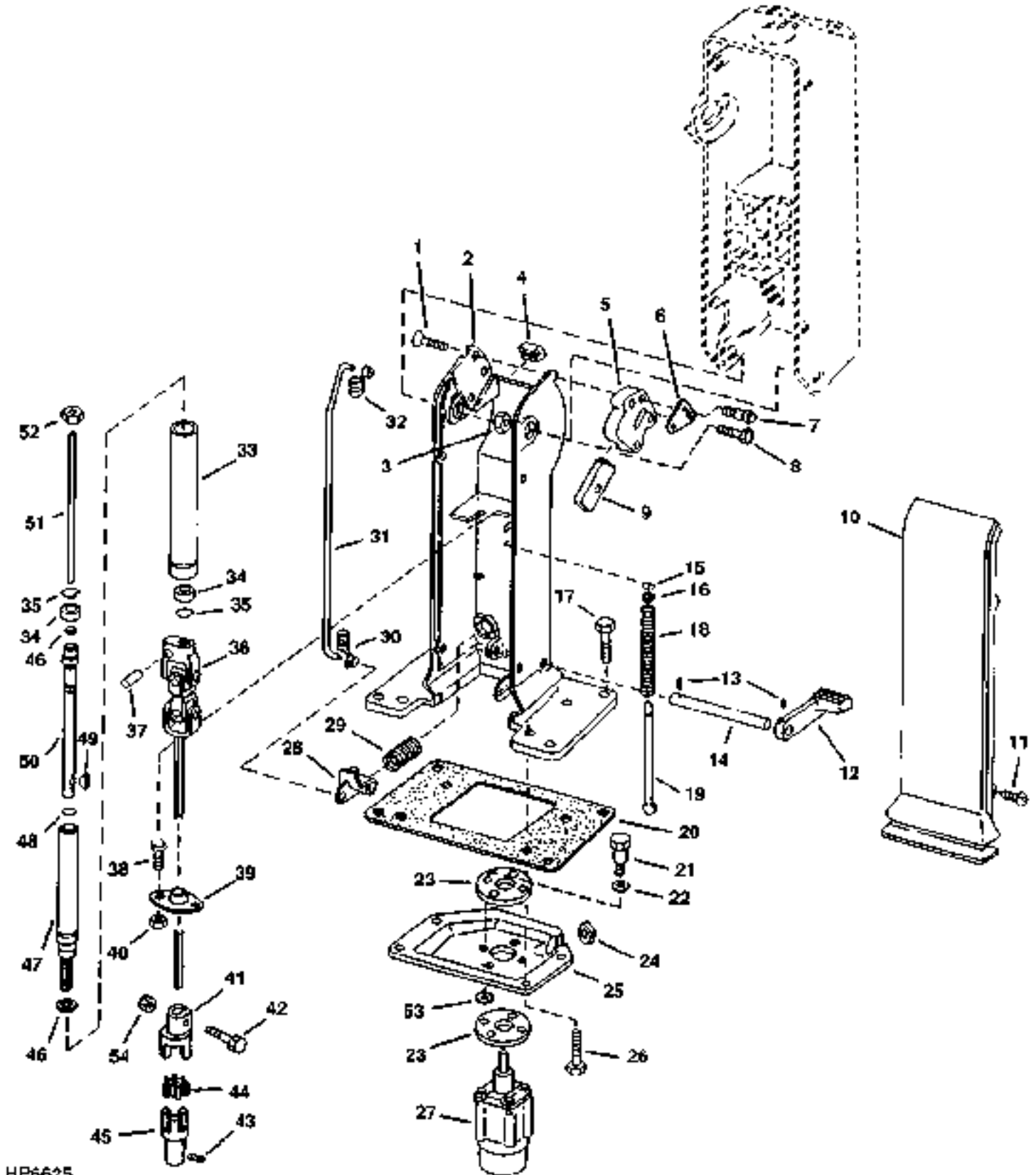
OPERATOR'S STATION

## STEERING COLUMN (UPPER) - CONTINUED

KEY	PART NO.	PART NAME	QTY	SERIAL NO.	REMARKS
1	AR51481	KEY	1		
2	AH108816	SWITCH	1		KEY START SWITCH
3	R39554	SWITCH	1		HORN BUTTON
4	H113858	HOUSING	1		
5	T55501	CAP	1		
6	T55585	CAP	1		
7	H132895	GUARD	1		
8	R39554	SWITCH	1		ETHER AID START BUTTON
9	14M7274	NUT	2		M10
10	12M7066	LOCK WASHER	2		10.200 MM
11	AH96317	CLIP	1		(SUB FOR AH89486)
12	H107687	SCREW	2		M10 X 23
13	H110812	GEAR	1		
14	H133205	SCREW	2		M8 X 25
15	H150383	CLAMP	1		(SUB FOR H113279)
16	H113863	GUIDE	1		
17	37M7071	SCREW	1		
18	AH129255	GUARD	1		
19	19M7800	SCREW	4		M8 X 50
20	H132899	SCREW	1		
21	H146392	PANEL	1		
	H146393	PANEL	1		(EXPORT - ITALY)
22	H146391	PANEL	1		
23	AA27536	BULB	1		
24	H130192	SCREW	4		M6 X 12
25	H123873	COVER	1		
26	37H6	SCREW	2		
27	H132897	RETAINER	1		
28	R26192	SNAP RING	1		
29	AH121340	TURN SIGNAL CONTROLLER	1		TURN SIGNAL
30	R26192	SNAP RING	1		
31	T22875	STEERING WHEEL	1		
32	14M7257	NUT	1		M20, (SUB FOR 14M7160)
33	14M7273	NUT	1		M8
34	H108822	KNOB	1		
35	19M3135	CAP SCREW	1		M8 X 40
36	B3690R	O-RING	1		
37	R47998	CAP	1		
38	R44342	NUT	1		
39	24M7040	WASHER	1		11 X 20 X 2 MM
40	AH116902	CONNECTOR	1		
41	H146042	LABEL	1		FOR IGNITION SWITCH
42	H156390	LABEL	1	6MAY96-	

# 4E4

## STEERING COLUMN (LOWER) HP6625 -UN-27JAN97



HP6625

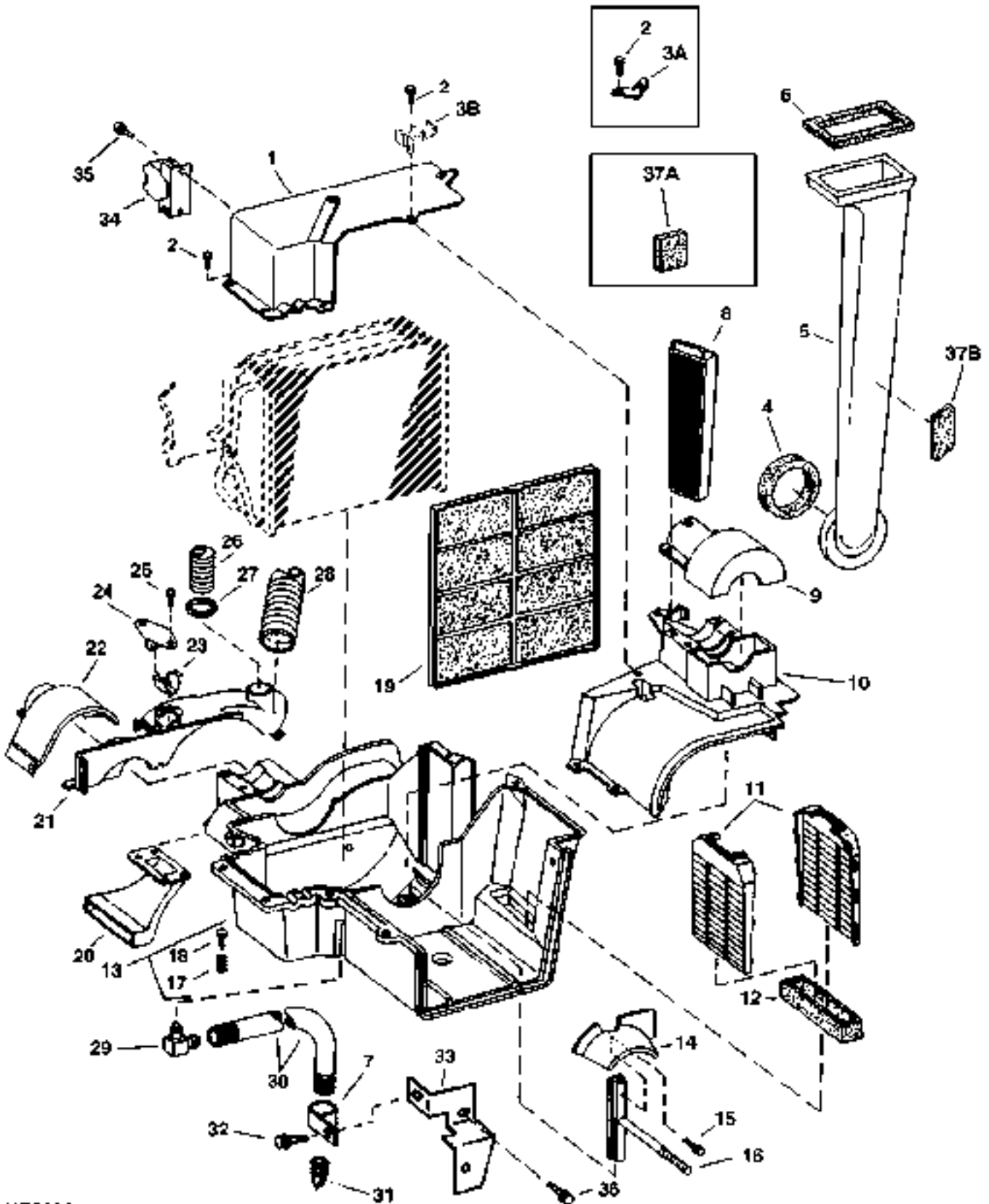
## STEERING COLUMN (LOWER) - CONTINUED

KEY	PART NO.	PART NAME	QTY	SERIAL NO.	REMARKS
1	H133205	SCREW	3		
2	H123877	HOUSING	1		
3	14M7274	NUT	2		M10
4	H107566	ISOLATOR	1		
5	H110310	HOUSING	1		
6	H110229	CRANK	1		
7	H131424	BOLT	2		M6 X 20.750
8	H107687	SCREW	2		M10 X 23
9	H141327	PAWL	1		(SUB FOR H109539)
10	H152172	COVER	1		(SUB FOR H123872, H147192 OR H165293)
11	H130192	SCREW	4		M6 X 12
12	H152174	PEDAL	1		(SUB FOR H107581)
13	34M7102	SPRING PIN	2		5 X 26 MM
14	H113864	PIN	1		
15	H133106	SNAP RING	1		
16	24M7055	WASHER	1		8.400 X 16 X 1.600 MM
17	19M7800	SCREW	4		M8 X 50
18	H113404	SPRING	1		
19	H113402	ROD	1		
20	H123874	SEALANT	1		
21	H110700	BOLT	4		M8 X 34.750
22	24M7028	WASHER	4		10.500 X 20 X 2 MM
23	H134353	ISOLATOR	2		
24	H108725	GROMMET	1		
25	H123875	SUPPORT	1		
26	19M7867	SCREW	4		M8 X 25
27	AH142441	PUMP	1		(SUB FOR AH130126) STEERING PUMP
28	H107582	ARM	1		
29	H107584	SPRING	1		
30	R26501	CLIP	1		
31	H131186	ROD	1		
32	R26524	CLIP	1		
33	H107567	HOUSING	1		
34	AH97920	BALL BEARING	2		
35	H80753	SNAP RING	2		
36	AH139065	UNIVERSAL JOINT, WITH SHAFT	1		
37	34M7124	SPRING PIN	1		8 X 30 MM
38	19M7866	SCREW	2		M8 X 20
39	AH129236	BEARING	1		
40	14M7166	LOCK NUT	2		M8
41	H162569	COUPLING	1		(SUB FOR H144970 OR H162056)
42	19M7295	CAP SCREW	1	-28APR7	M8 X 45
	H162055	SCREW	1	28APR7-27OCT7	
	H164921	SCREW	1	27OCT7-	
43	22M7072	SET SCREW	2		M6 X 10
44	H134624	ISOLATOR	1		
45	H134623	SPLINED COUPLING	1		
46	H99294	WASHER	2		22.606 X 27.813 X 0.813 MM
47	AH130429	STEERING SHAFT	1		
48	H36256	O-RING	1		
49	H137667	SHAFT KEY	1		
50	H107570	STEERING SHAFT	1		
51	H107586	PIN	1		
52	14M7257	NUT	1		M20, (SUB FOR 14M7160)
53	H141946	WASHER	4		8.330 X 15.880 X 1.520 MM
54	14M7166	LOCK NUT	1	-28APR7	M8
	14M7396	LOCK NUT	1	28APR7-27OCT7	M8
	H137328	NUT	1	27OCT7-2MAR98	(SUB 14M7396)
	14M7396	LOCK NUT	1	2MAR98-	M8

# 4E6

OPERATOR'S STATION

AIR CONDITIONING AND HEATER HOUSING AND FILTERS  
HP6683 -UN-21MAR97



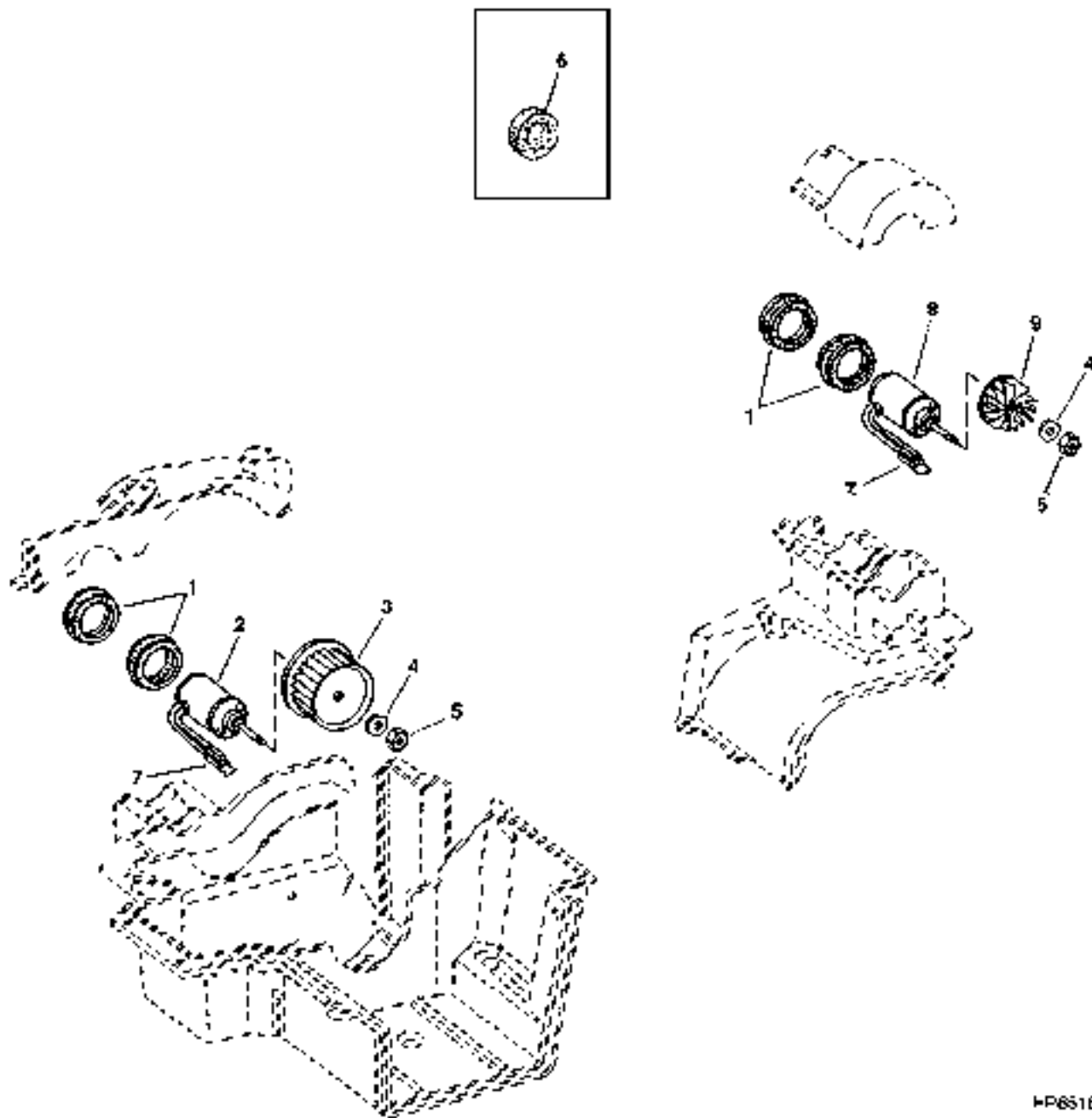
HP6683

## AIR CONDITIONING AND HEATER HOUSING AND FILTERS - CONTINUED

KEY	PART NO.	PART NAME	QTY	SERIAL NO.	REMARKS
1	H161021	HOUSING	1		(SUB FOR H127575 OR H150100)
2	19M7862	SCREW	AR		M6 X 20
3A	AH96317	CLIP	1	-12AU96	(SUB FOR AH89486)
3B	H158830	CLIP	1	12AU96-	
4	H163397	SEAL	1	29SE97-	
5	H157566	AIR DUCT	1	29SE97-	
6	H153438	SEAL	1	29SE97-	(CUT FROM H88773)
7	R46414	CLAMP	2		
8	AH115836	AIR FILTER	1		RECIRCULATING FILTER
9	H115031	COVER	1		
10	AH120546	HOUSING	1		
11	H114142	PRESCREENER	1	650525-	
12	H118619	SEAL	1	650525-	
13	AH138601	HOUSING	1	-650524	
	AH122444	HOUSING	1	650525-	
14	H127978	DUST SHIELD	1		
15	37M7089	SCREW	AR		M6 X 12
16	AH134884	SUPPORT	1		
17	H119362	BUSHING	1		
18	19M7862	SCREW	AR		M6 X 20
19	AH120547	FILTER	1		EVAPORATOR FILTER
20	H126589	AIR DUCT	1		
21	H127574	HOUSING	1		
22	H126590	COVER	1		
23	H130091	SHIELD	1		
24	AH125505	RESISTOR	1		
25	H123998	SCREW	AR		
26	H118872	LINE	1		
27	AR21999	HOSE CLAMP	2		
28	H118871	LINE	1		
29	H146429	FITTING	1		
30	H159636	TUBE	1		(SUB FOR H124198)
31	H150385	CHECK VALVE	1		(SUB FOR H135409)
32	19M7866	SCREW	1		M8 X 20
33	H137326	SUPPORT	1		
34	RE48284	THERMOSTAT	1	650525-	
	AH144020	THERMOSTAT	1		
35	H111706	SCREW	2	650525-	
	H123998	SCREW	2		
36	19M7865	SCREW	2		M8 X 16
	37M7058	SCREW	2		M8 X 20
37A	H119187	PAD	1	-670612	
37B	H159743	FOAM PAD	1	670613-	
..	AH138601	HOUSING	1		(INCLUDES AH138522) AND INSTALLATION INSTRUCTIONS FOR PRE-1991 MACHINES

# 4E8

PRESSURIZER FAN AND AIR CONDITIONING / HEATER FAN  
HP6516 -UN-16APR96



HP6516

# 4E9

OPERATOR'S STATION

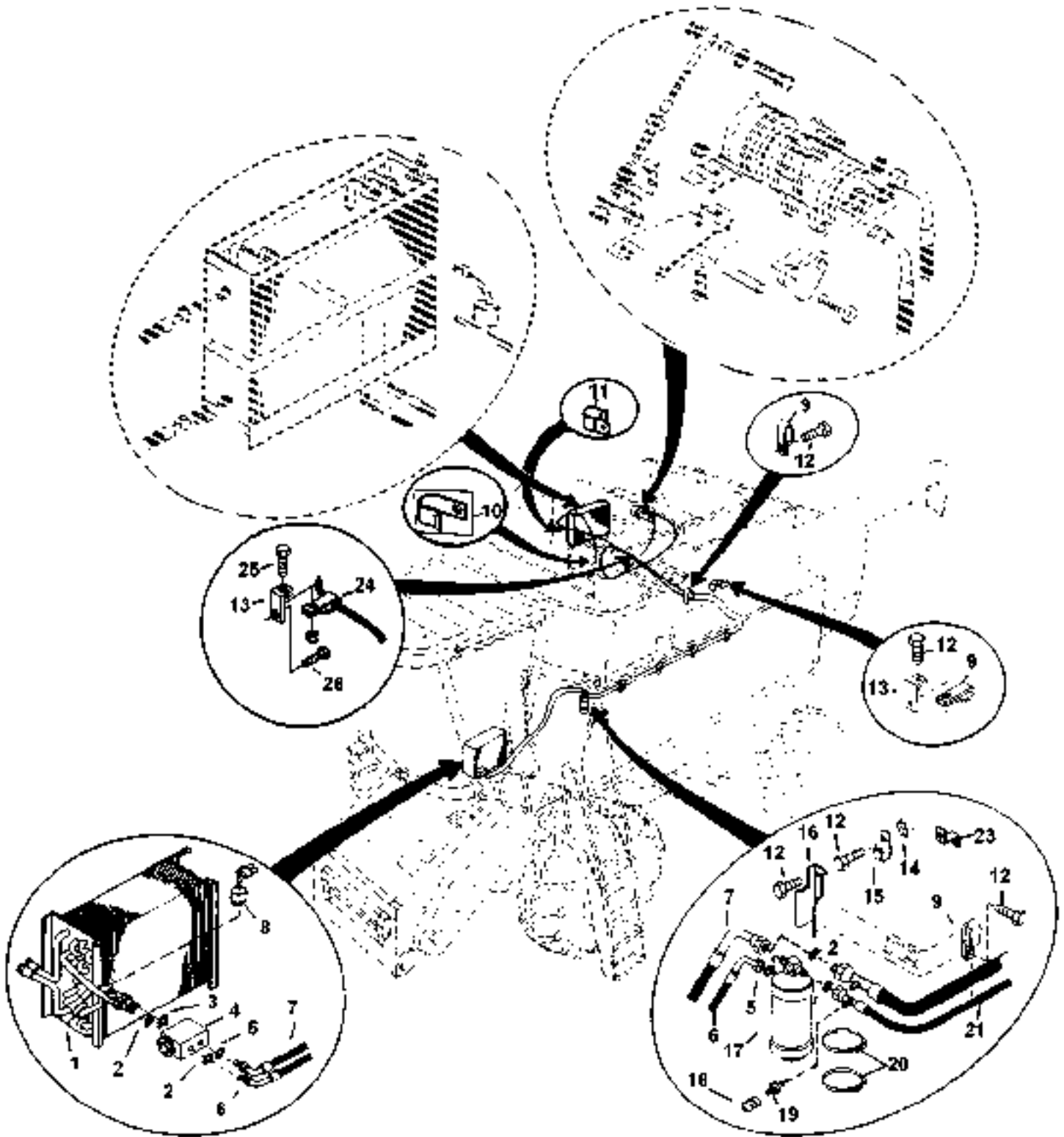
## PRESSURIZER FAN AND AIR CONDITIONING / HEATER FAN - CONTINUED

KEY	PART NO.	PART NAME	QTY	SERIAL NO.	REMARKS
1	H115521	ISOLATOR	2		
2	AH128926	MOTOR	1		AC/HEATER FAN
3	H114046	BLOWER FAN	1		
4	24M7117	WASHER	AR		4.300 X 9 X 0.800 MM
5	14M7264	LOCK NUT	1		M4
6	H163397	SEAL	1		(SUB FOR H144546)
7	T28586	CONNECTOR	1		
8	AH128925	MOTOR	1		PRESSURIZER FAN, CAN ALSO BE USED ON MACHINES PRIOR TO SERIAL NUMBER 650525
	H129887	ISOLATOR	1		(USE WITH AH128925)
9	H124185	FAN	1		

# 4E10

OPERATOR'S STATION

AIR CONDITIONING SYSTEM  
HP7317 -UN-22DEC97



HP7317



# 4E11

OPERATOR'S STATION

## AIR CONDITIONING SYSTEM - CONTINUED

KEY	PART NO.	PART NAME	QTY	SERIAL NO.	REMARKS
1	AH132264	EVAPORATOR	1		
2	R33259	O-RING	1		
3	P51212	O-RING	1	-650400	
	R113050	RING	1	650401-	
4	AH137702	VALVE	1		(SUB FOR AH122867)
5	R10093	O-RING	1		
6	AH127684	HOSE	1		
7	AH127685	HOSE	1		
8	AH144084	SWITCH	1		(SUB FOR AH116110) LOW PRESSURE
9	AH77869	CLIP	2		
10	AH117301	CLAMP	1		FOR TWO HOSES - USE EXISTING HARDWARE
11	AH96317	CLIP	1		(SUB FOR AH89486)
12	19M7867	SCREW	2	-670400	
	19M7913	SCREW	2	670401-	M8 X 90
13	H132662	BRACKET	1	-671082	
14	14M7298	FLANGE NUT	1	-670400	
15	R46414	CLAMP	1	-670400	(SUB FOR AH78125)
	AH77724	CLIP	1	670401-	
16	H136541	HOSE SUPPORT	1		
17	AT164848	CUTTING EDGE	1	-650400	(SUB FOR AT125596)
	AH137486	RECEIVER-DRYER	1		
18	R60172	NUT	1		
19	R60170	VALVE	1		
20	TY22474	CLAMP	2		(SUB FOR AR21842)
21	AH126036	HOSE	1		(SUB FOR AH136505)
22	AH126034	HOSE	1	-650400	
	AH142105	REFRIGERANT HOSE	1	650401-29SEP7	
23	H132538	HOSE SUPPORT	1		
24	H143757	HOSE CLAMP	1	665401-671082	
25	N14822	SELF-LOCKING SCREW	1	665401-671082	
	14M7298	FLANGE NUT	1	665401-671082	M8
26	19M7868	SCREW	1	665401-671082	M8 X 30

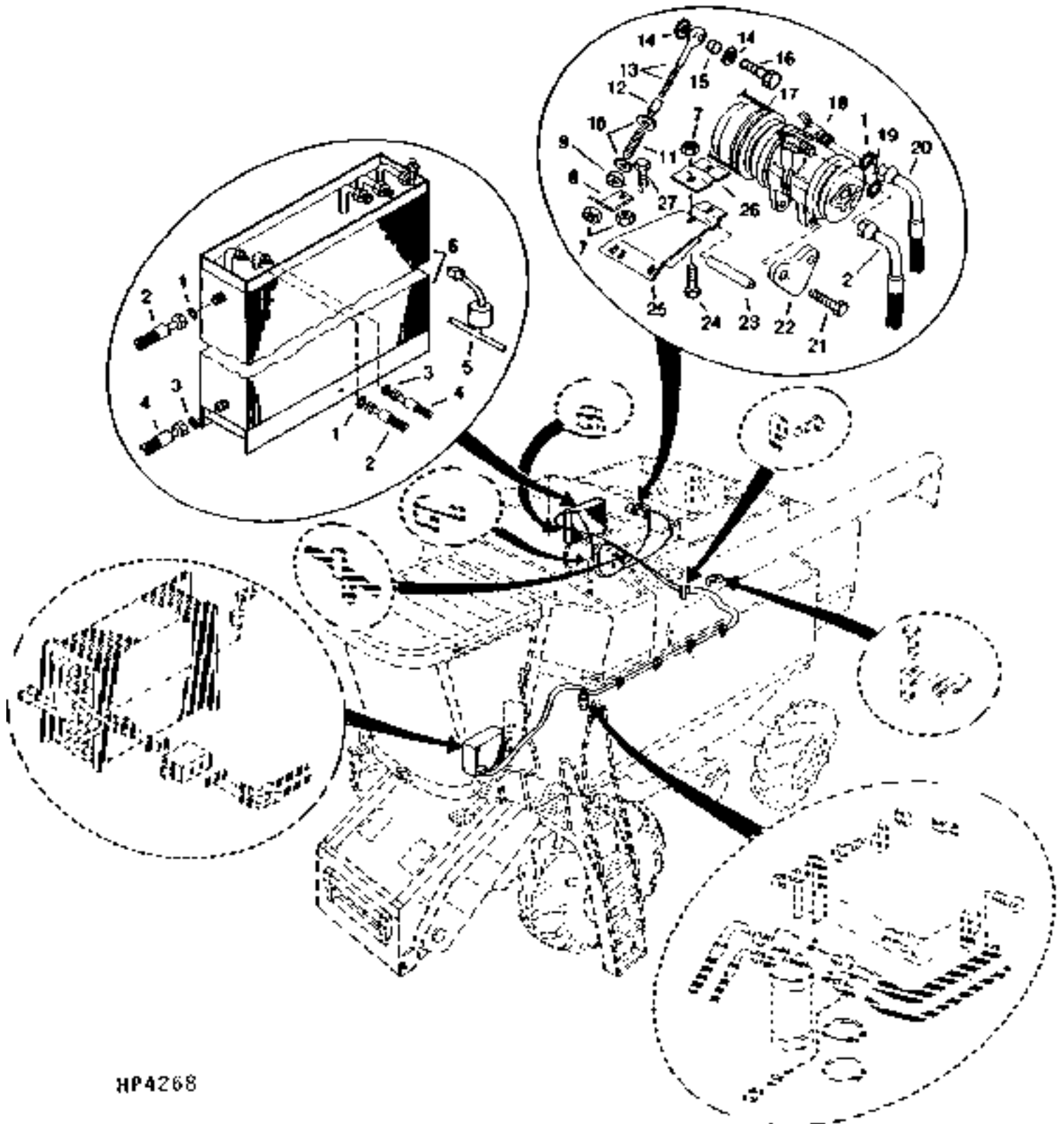
# 4E12

OPERATOR'S STATION

AIR CONDITIONING SYSTEM (FOR R-12 REFRIGERANT)

(-650400)

HP4268 -UN-01JAN94



HP4268

# 4E13

OPERATOR'S STATION

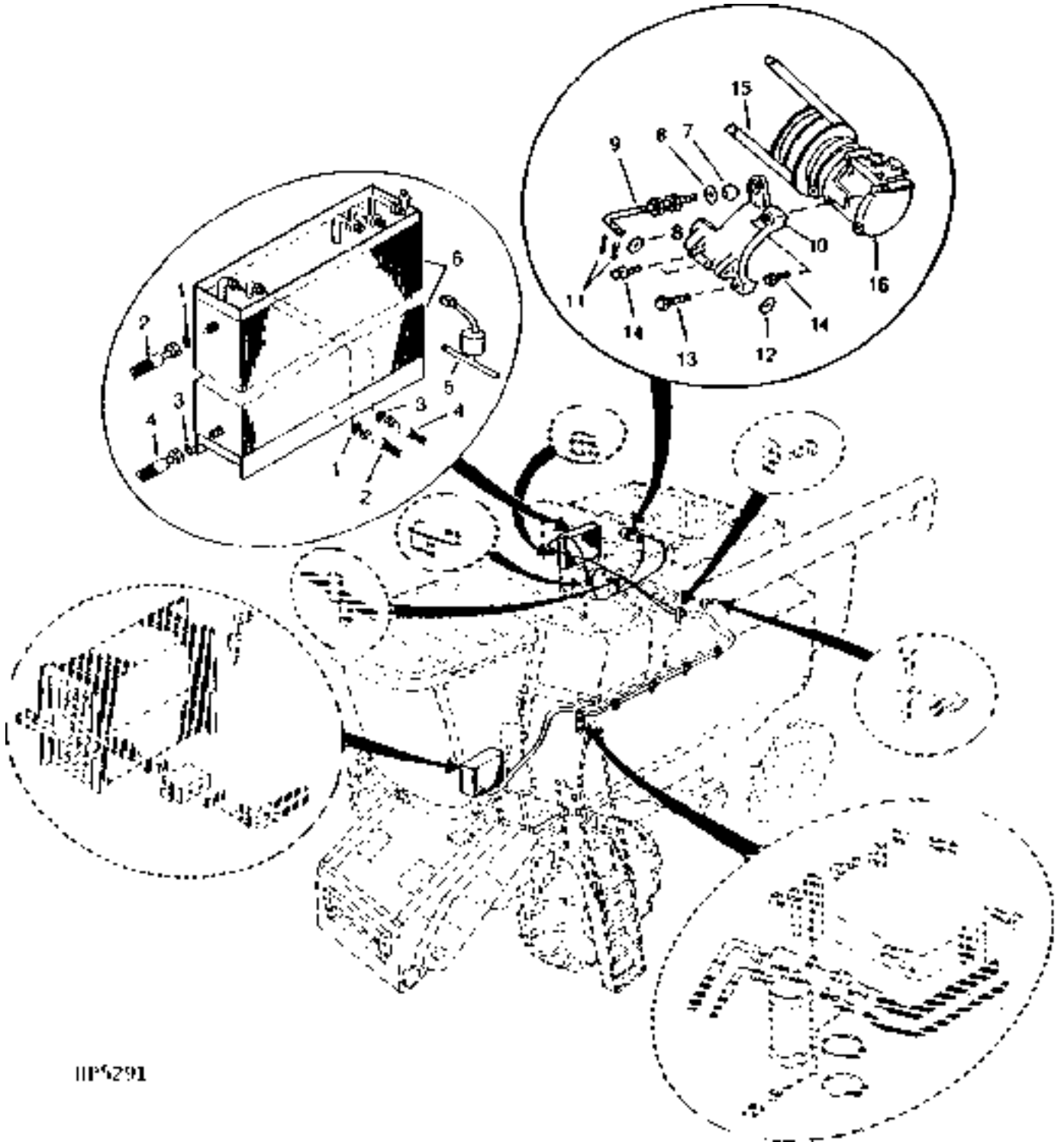
**AIR CONDITIONING SYSTEM (FOR R-12 REFRIGERANT) - CONTINUED**  
**( -650400)**

KEY	PART NO.	PART NAME	QTY	SERIAL NO.	REMARKS
1	P51212	O-RING	1		
2	AH137735	HOSE	1		PRESSURE
3	R10093	O-RING	1		
4	AH126036	HOSE	1		(SUB FOR AH136505)
5	RE24307	HIGH PRESSURE SWITCH	1		HIGH PRESSURE
6	AH150219	OIL COOLER	1	670000-	(SUB FOR AH136172) OIL COOLER AND CONDENSER TOGETHER
7	14M7296	FLANGE NUT	2		M10
8	H128194	BRACKET	1		PRESSURE
9	H77337	WASHER	1		
10	24M7178	WASHER	2		10.500 X 30 X 2.500 MM
11	N61703	SPRING	1		
12	28H1495	SPACER	1		
13	H118539	EYEBOLT	1		
14	24M7178	WASHER	1		
15	H118543	BUSHING	1		
16	19M8118	CAP SCREW	1		M10 X 35
17	H81742	BELT	1	645510-	12.700 X 1 346.200 MM (1/2" X 53")
18	TY6626	COMPRESSOR	1		REMANUFACTURED
19	R33259	O-RING	1	-655400	
	H145261	O-RING	1	655400-	
20	AH126034	HOSE	1		SUCTION OR RETURN
21	19M8007	CAP SCREW	4		M10 X 25
22	H125988	PIVOT	1		
23	H125989	SHAFT	2		
24	03M7191	BOLT	2		M10 X 25
25	H136603	SUPPORT	1		
26	H125991	CLAMP	1		
27	19M7786	SCREW	1		M10 X 30
..	R49856	OIL	1		1 QT. REFRIGERANT OIL
..	TY22025	OIL	1		(SUB TY22101)
..	TY22101	OIL	1		

# 4E14

AIR CONDITIONING SYSTEM (FOR R134A REFRIGERANT)

(650401- )  
HP5291 -UN-01JAN94



HP5291

# 4E15

OPERATOR'S STATION

**AIR CONDITIONING SYSTEM (FOR R134A REFRIGERANT) - CONTINUED**  
(650401- )

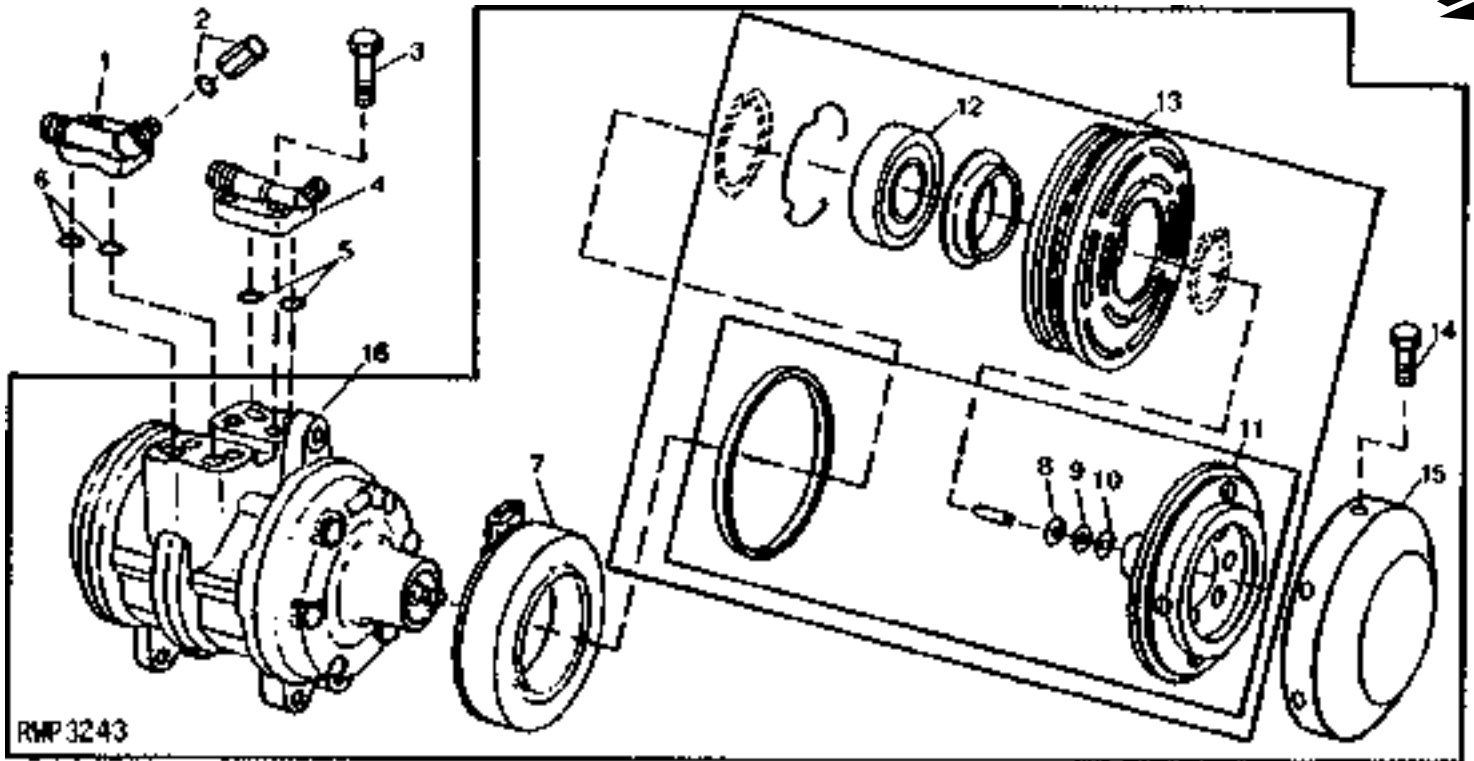
KEY	PART NO.	PART NAME	QTY	SERIAL NO.	REMARKS
1	P51212	O-RING	1	-650400	
	R113050	RING	1	650401-	
2	AH126044	HOSE	1	-650400	PRESSURE, LONGER HOSE USED FOR ALL
	AH142107	REFRIGERANT HOSE	1	650401-	
3	R10093	O-RING	1		
4	AH126036	HOSE	1	-650400	
	AH142103	HOSE	1	650401-	
5	RE24307	HIGH PRESSURE SWITCH	1		HIGH PRESSURE
6	AH149618	VAPOR CONDENSER	1		(SUB FOR AH140471) EVAPORATOR
	AH150219	OIL COOLER	1		(SUB FOR AH136172) OIL COOLER AND CONDENSER TOGETHER (FOR PARTS, SEE PAGES 81 AND 82)
7	P45458	BALL	1		
8	24M7047	WASHER	2		13 X 24 X 2.500 MM
9	H145987	HOOK BOLT	1		
	14M7275	NUT	2		M12
10	H145986	ARM	1		
11	11M7021	COTTER PIN	2		4 X 25 MM
12	24M7047	WASHER	1		13 X 24 X 2.500 MM
13	19M7838	SCREW	1		M12 X 130
14	19M7913	SCREW	3		
15	H80896	BELT	1		
16	RE46657	COMPRESSOR	1		
	TY6765	COMPRESSOR	1		USE ON ALL MACHINES PRIOR TO 1993

# 4E16

OPERATOR'S STATION

## COMPRESSOR CLUTCH AND SERVICE VALVES (FOR R-12 REFRIGERANT)

(-650400)  
RWP3243 -UN-01JAN94



KEY	PART NO.	PART NAME	QTY	SERIAL NO.	REMARKS
1	RE10981	MANIFOLD	1		
2	RE10982	VALVE	1		
3	19M8446	SCREW	4	M8 X 20, HS 12.9	
4	RE10980	MANIFOLD	1		
5	R77401	O-RING	2		
6	R123145	PACKING	2	(SUB FOR R77400)	
7	R85688	STATOR	1		
8	R77391	WASHER	AR		
9	R77392	SHIM	AR		
10	R77393	SHIM	AR		
11	RE10974	KIT	1		
12	R77394	BEARING	1		
13	RE10975	KIT	1		
14	R77390	SCREW	6		
15	R77389	COVER	1		
16	TY6626	COMPRESSOR	1		
..	R49856	OIL	1	0.9L (1 QT)	

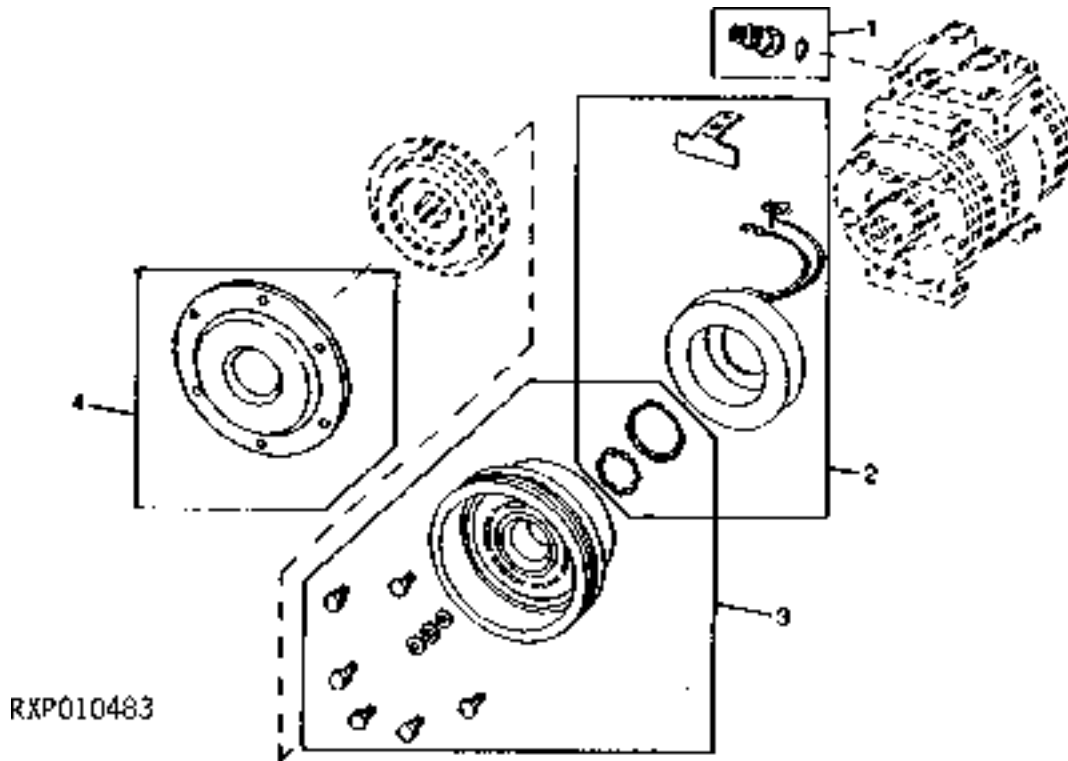
# 4E17

OPERATOR'S STATION

## COMPRESSOR CLUTCH AND SERVICE VALVES (FOR R-12 REFRIGERANT)

(-650400)

RXP010483 -UN-01JAN94



KEY	PART NO.	PART NAME	QTY	SERIAL NO.	REMARKS
1	RE52506	VALVE	1		
2	RE52510	STATOR	1		
3	RE53408	KIT	1		
4	R115743	COVER	1		

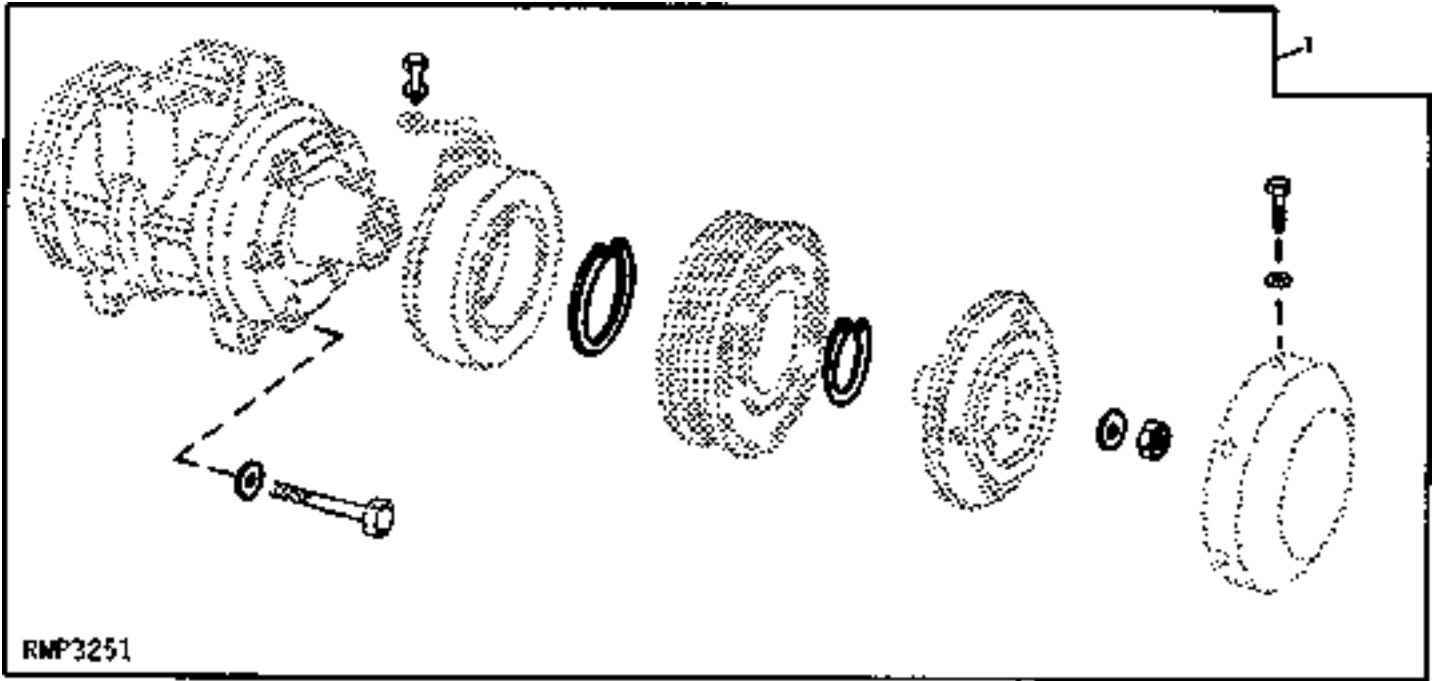
# 4E18

OPERATOR'S STATION

## COMPRESSOR HARDWARE SET (FOR R-12 REFRIGERANT)

(-650400)

RWP3251 -UN-01JAN94



KEY	PART NO.	PART NAME	QTY	SERIAL NO.	REMARKS
1	RE10976	KIT	1		



MEMORANDA

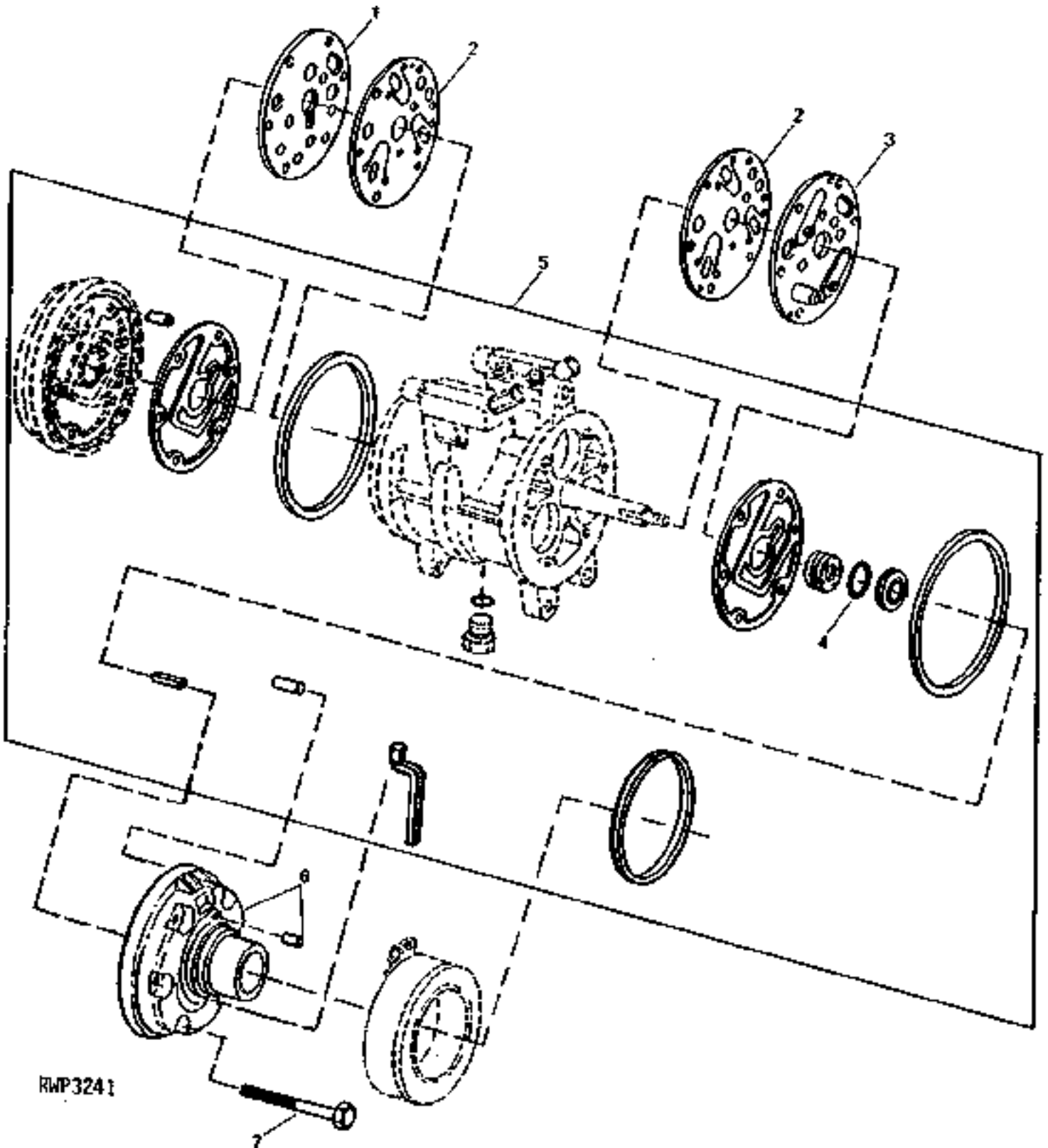
# 4E19

OPERATOR'S STATION

## COMPRESSOR PARTS (FOR R-12 REFRIGERANT)

(-650400)

RWP3241 -UN-01JAN94



RWP3241

# 4E20

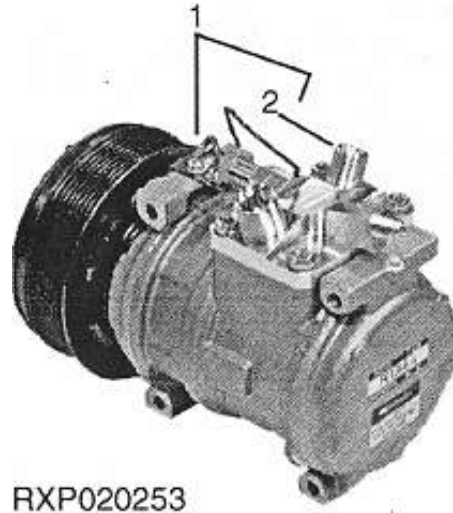
OPERATOR'S STATION

**COMPRESSOR PARTS (FOR R-12 REFRIGERANT) - CONTINUED**  
( -650400)

KEY	PART NO.	PART NAME	QTY	SERIAL NO.	REMARKS
1	RE10979	PLATE	1		
2	R77397	VALVE	2		
3	RE10978	PLATE	1		
4	R77399	PACKING	1		
5	RE10973	KIT	1		
6	RE10977	CYLINDER HEAD	1		
7	R77396	SOCKET HEAD SCREW	6		

AIR CONDITIONING COMPRESSOR (FOR R134A REFRIGERANT)

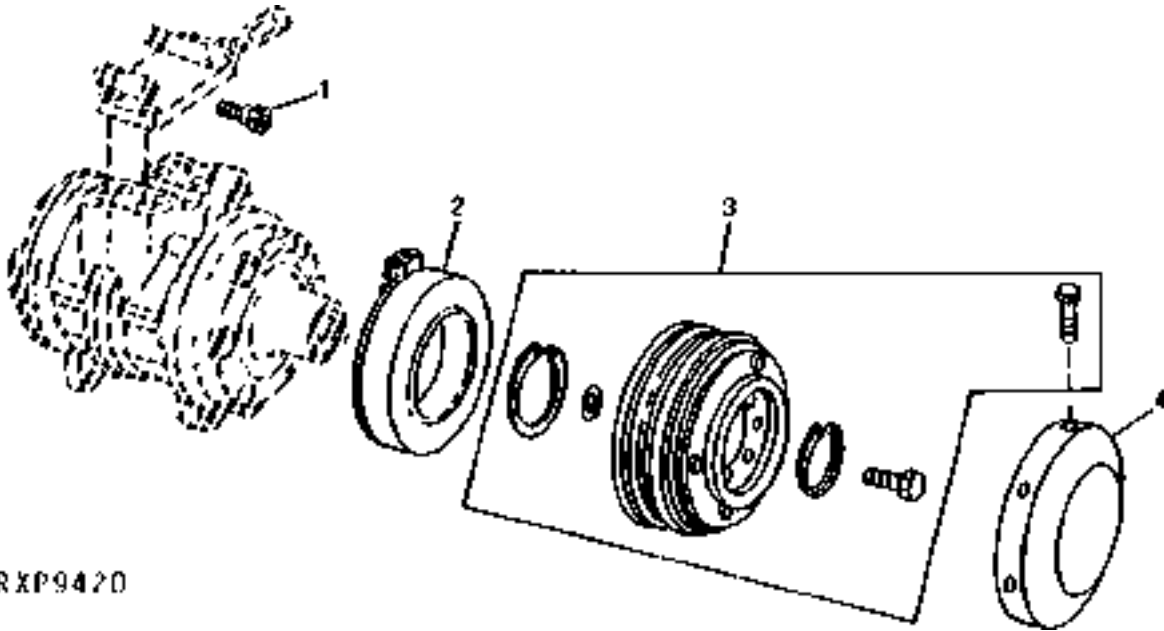
(650401- )  
 RXP020253 -UN-01JAN94



KEY	PART NO.	PART NAME	QTY	SERIAL NO.	REMARKS
1	RE52454	COMPRESSOR	1		(WITHOUT MANIFOLD AND SEAL)
2	RE51052	MANIFOLD	1		
..	R115742	SEAL	1		
..	TY22025	OIL	1		(SUB TY22101) 250 ML
..	TY22101	OIL	1		
..	TY15949	REFRIGERANT	1		12 LBS (R134A)
..	TY15950	REFRIGERANT	1		15 LBS (R134A)
..	TY15951	REFRIGERANT	1		30 LBS (R134A)
..	RE46657	COMPRESSOR	1		COMPLETE
..	TY6768	COMPRESSOR	1		USE ON ALL MACHINES PRIOR TO 1993

COMPRESSOR CLUTCH/STATOR/DUST COVER (FOR R134A REFRIGERANT)

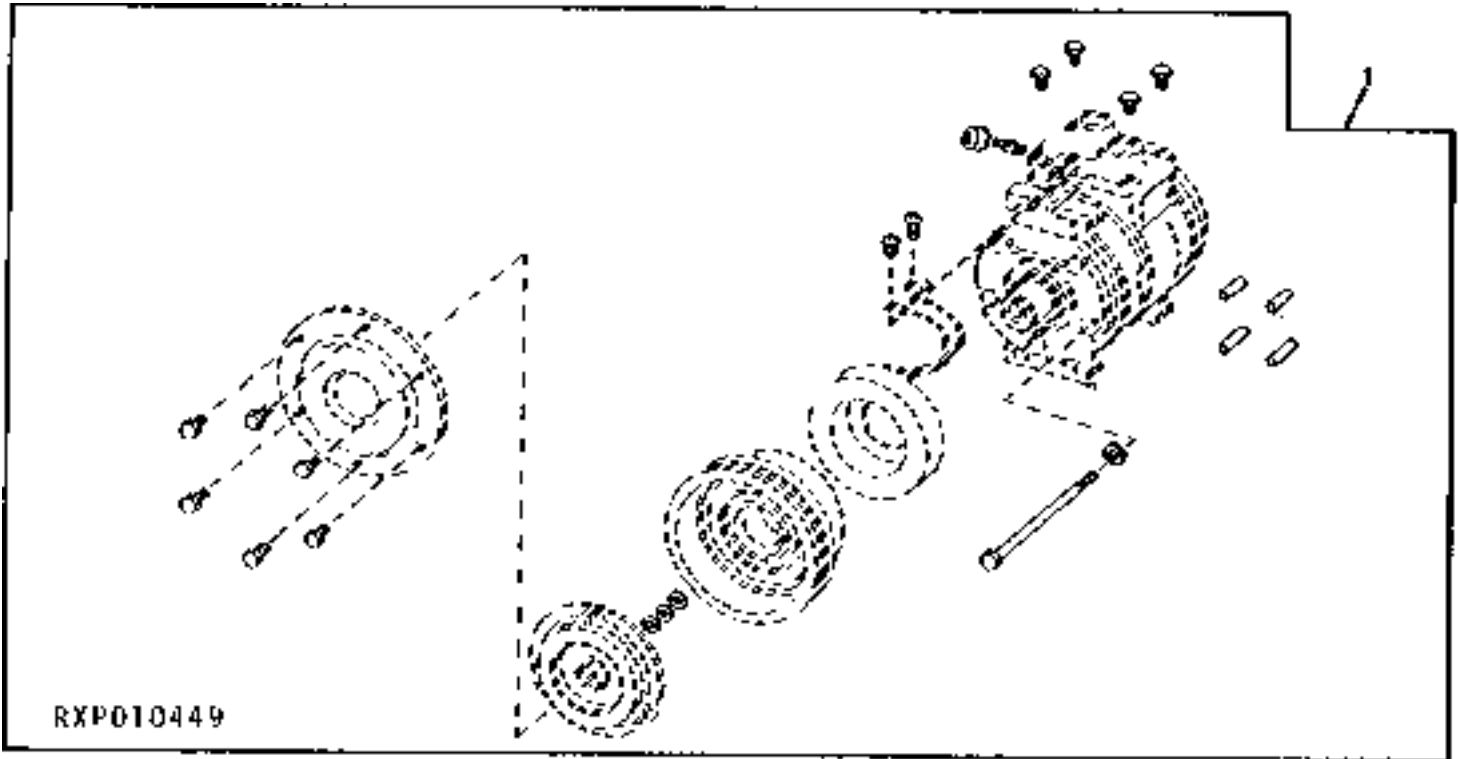
(650401- )  
RXP9420 -UN-01JAN94



KEY	PART NO.	PART NAME	QTY	SERIAL NO.	REMARKS
1	RE52506	VALVE	1		
2	RE52510	STATOR	1		
3	RE53408	KIT	4		
4	R115743	COVER	1		

**COMPRESSOR HARDWARE SET (FOR R134A REFRIGERANT)**

(650401- )  
RXP010449 -UN-01JAN94



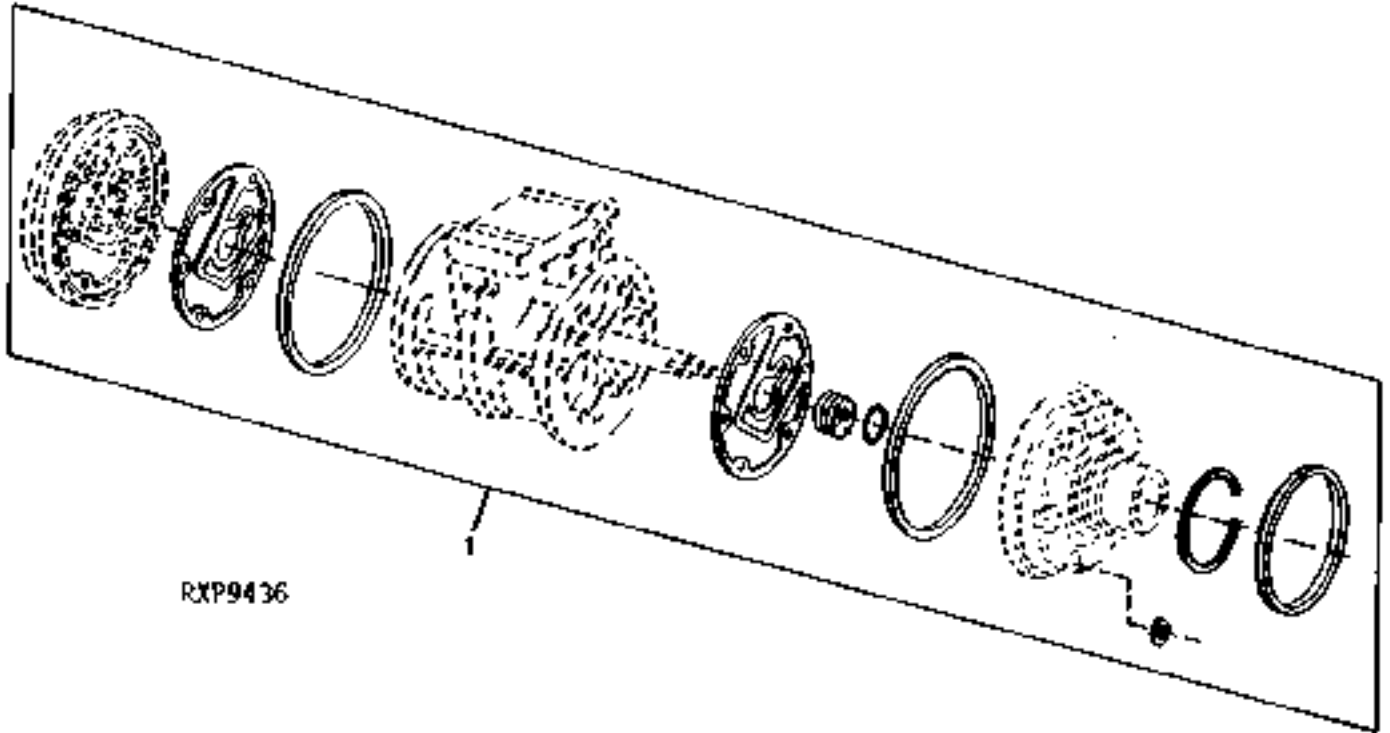
KEY	PART NO.	PART NAME	QTY	SERIAL NO.	REMARKS
1	RE52507	KIT	1		

# 4E24

OPERATOR'S STATION

## COMPRESSOR PARTS (FOR R134A REFRIGERANT)

(650401- )  
RXP9436 -UN-01JAN94

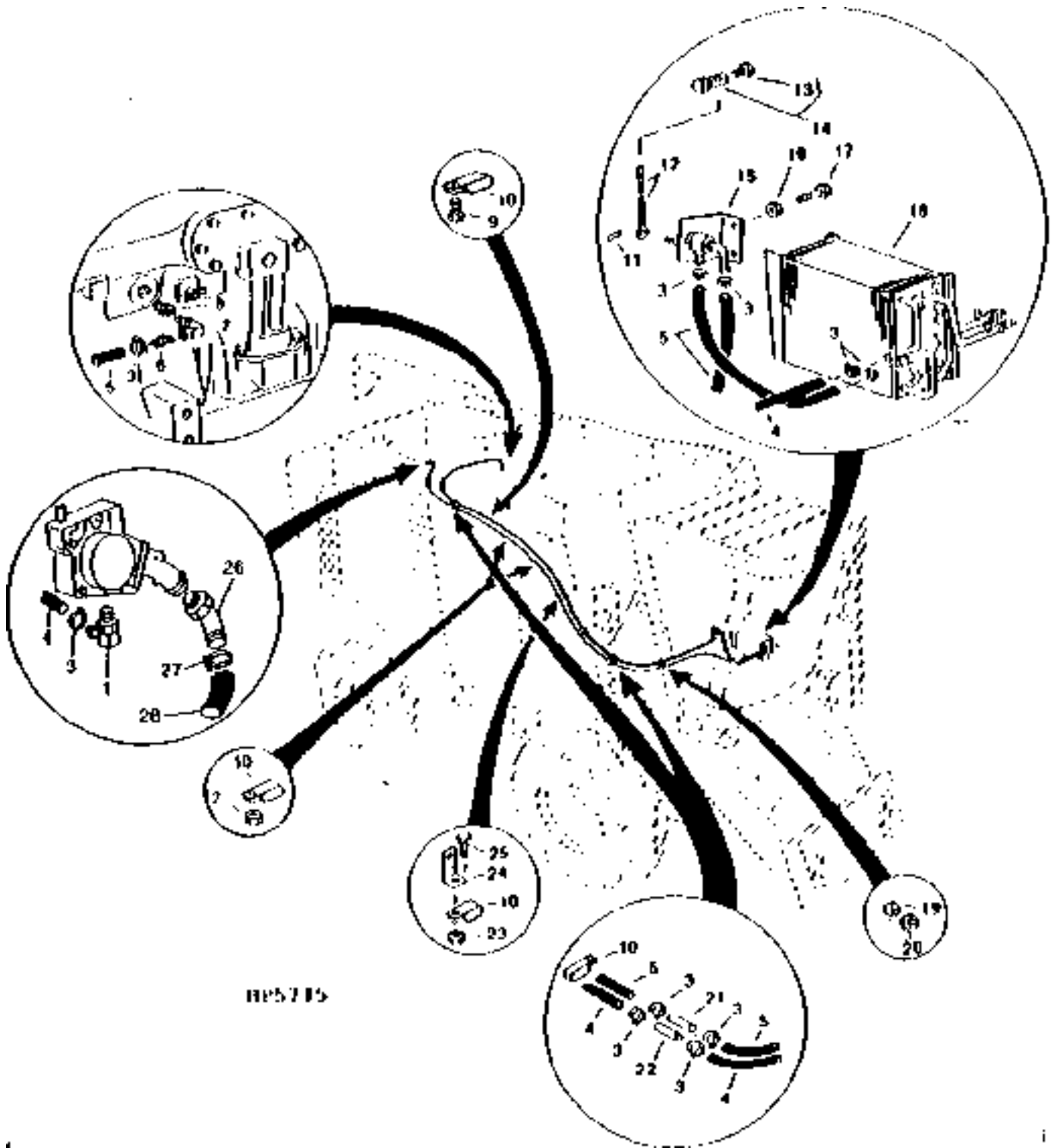


KEY	PART NO.	PART NAME	QTY	TRACTOR SERIAL NO.	REMARKS
1	RE52509	SEAL KIT	1		

# 4F1

OPERATOR'S STATION

HEATER SYSTEM  
HP5715 -UN-01JAN94



HP5715

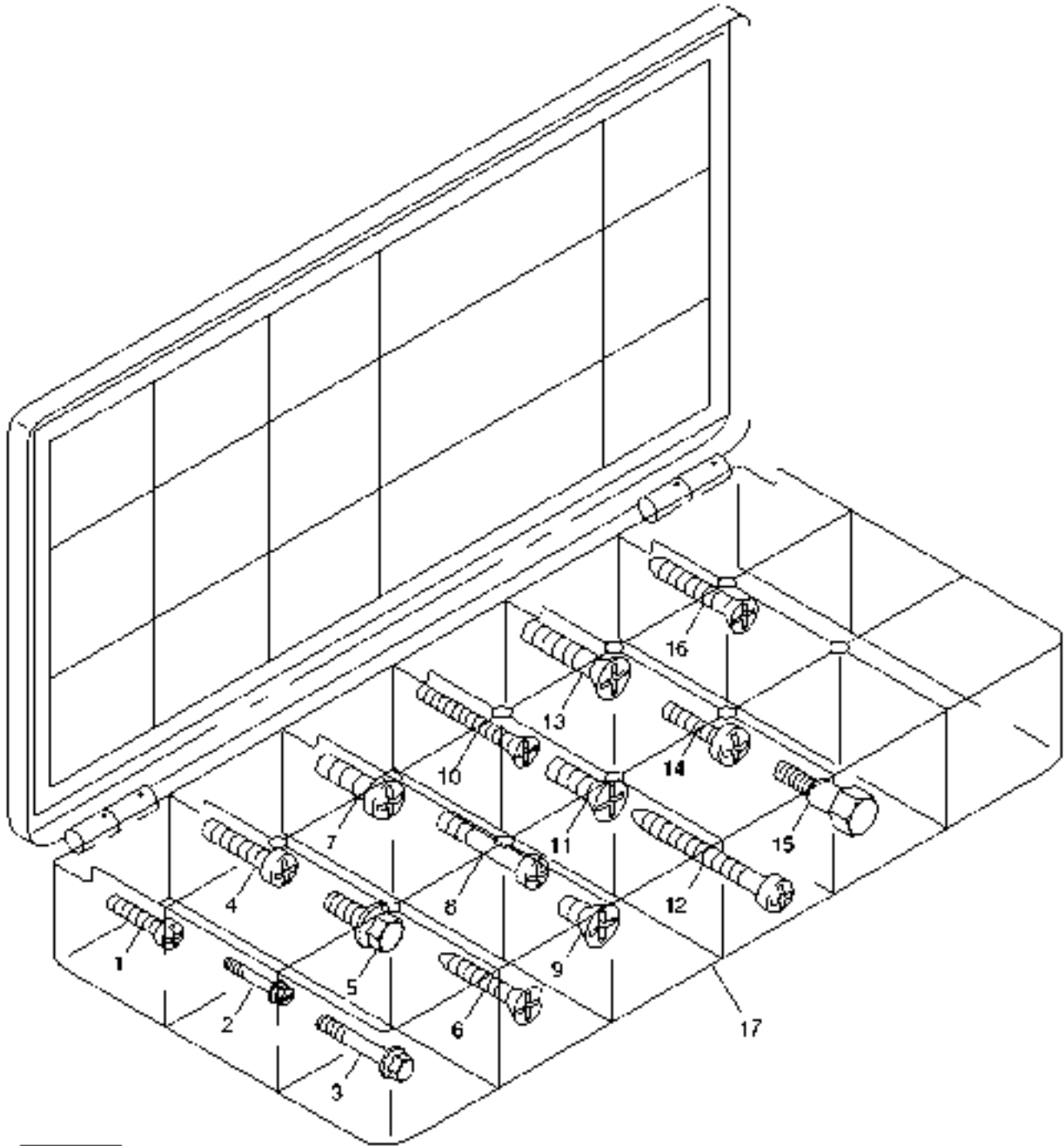


## HEATER SYSTEM - CONTINUED

KEY	PART NO.	PART NAME	QTY	SERIAL NO.	REMARKS
1	AH64349	HOSE FITTING	1		
2	14M7296	FLANGE NUT	1	M10	
3	TY22465	HOSE CLAMP	7	(SUB FOR AR21837)	
4	TY22330	BULK HOSE	3	(SUB FOR H108935) CUT AS REQUIRED	
5	TY22328	BULK HOSE	1	(SUB FOR R45847) CUT AS REQUIRED	
6	H23196	FITTING	1		
7	15H200	ELBOW FITTING	1		
8	15H565	PIPE BUSHING	1		
9	19M7865	SCREW	1		
10	H117952	CLAMP	4		
11	H132922	COTTER PIN	1		
12	H134655	PIN	1		
13	.....	SCREW	1		
14	AH130610	BALL JOINT	1		
15	AH127974	CONTROL VALVE	1		
16	14M7303	FLANGE NUT	1	M6	
17	19M7775	SCREW	1	M6 X 16	
18	AH132264	EVAPORATOR	1	HEATER AND EVAPORATOR COMBINATION	
19	R50456	GROMMET	1		
20	H36221	GROMMET	1		
21	H81010	BUSHING	1	-665400	
	H153721	COUPLING	1	665401-	
22	H153722	COUPLING	1	(SUB FOR H101870)	
23	14M7298	FLANGE NUT	1	M8	
24	H132662	BRACKET	1		
25	19M7866	SCREW	1	M8 X 20	
26	AH90990	CLIP	1	-655542	
	H146887	TUBE	1	655542-	
27	AR21999	HOSE CLAMP	1		
28	AH137758	HOSE	1	HEATER RETURN	
..	H77698	TIE BAND	1		

# 4F3

CAB HARDWARE KIT  
HP3731 -UN-01SEP99



HP3731

# 4F4

OPERATOR'S STATION

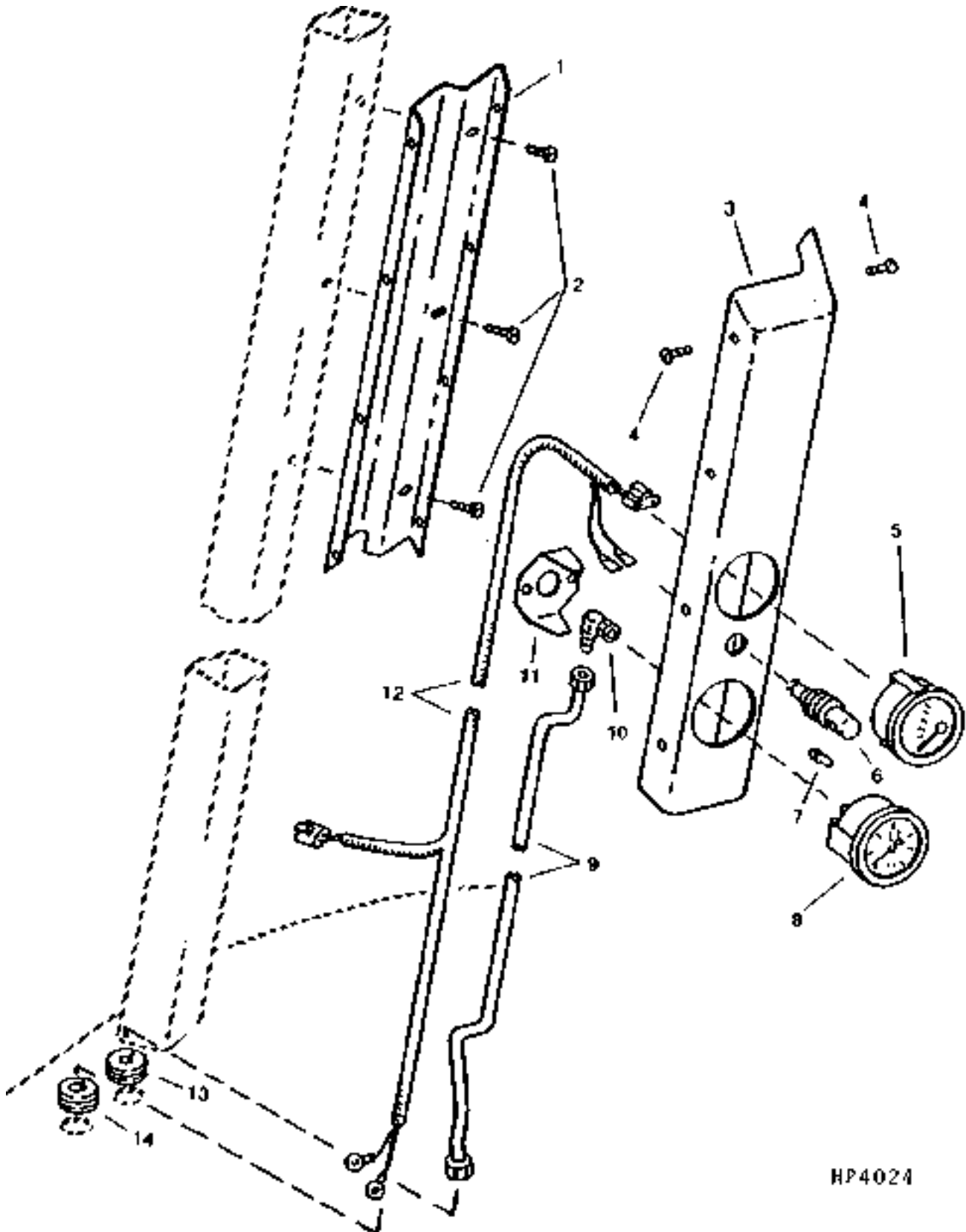
**CAB HARDWARE KIT - CONTINUED**

KEY	PART NO.	PART NAME	QTY	SERIAL NO.	REMARKS
1	H110842	SCREW	10		3.5 M X 20
2	H111364	SCREW	10		3.5 M X 12
3	H111705	SCREW	10		5.5 M X 19
4	H111706	SCREW	10		4.2 M X 16
5	H114038	SCREW	5		6.480 M X 12
6	H119088	SCREW	10		4.2 M X 25
7	H123995	SCREW	10		6.480 M X 18
8	H128859	SCREW	5		4.826 X 22.280 MM (0.190" X 0.877")
9	H130192	SCREW	5		M6 X 12
10	H130194	CAP SCREW	10		M4 X 30
11	H168424	SCREW	5		M5 X 12, (SUB FOR H130195 OR H158579)
12	H130298	SCREW	3		M5 X 40
13	H165691	SCREW	10		M6 X 20, (SUB FOR H131591 OR H168780)
14	37M7182	SCREW	10		4.8 M X 19
15	H131424	BOLT	3		M6 X 20.750
16	H132899	SCREW	5		4.2 M X 25
17	AH133088	KIT	1		

# 4F5

OPERATOR'S STATION

CAB POST INSTRUMENT PANEL L.H. (EXPORT ONLY)  
HP4024 -UN-01JAN94



HP4024

# 4F6

OPERATOR'S STATION

CAB POST INSTRUMENT PANEL L.H. (EXPORT ONLY) - CONTINUED

KEY	PART NO.	PART NAME	QTY	SERIAL NO.	REMARKS
1	H140213	BRACKET	1		
2	37M7089	SCREW	3	M6 X 12	
3	H140212	HOUSING	1		
4	H165691	SCREW	8	M6 X 20, (SUB FOR H131591 OR H168780)	
5	AZ32393	GAUGE	1		
6	AH135354	LAMP	1		
7	RE12927	BULB	1		
8	AZ39154	GAUGE	1	ACCUMULATOR	
9	AH134811	OIL LINE	1		
10	AZ32732	ELBOW FITTING	1		
11	AZ52625	GAUGE	1	(SUB FOR AZ52625)	
12	AH137487	WIRING HARNESS	1	(SUB FOR AH135353)	
13	T63817	GROMMET	1		
14	T65643	GROMMET	1		

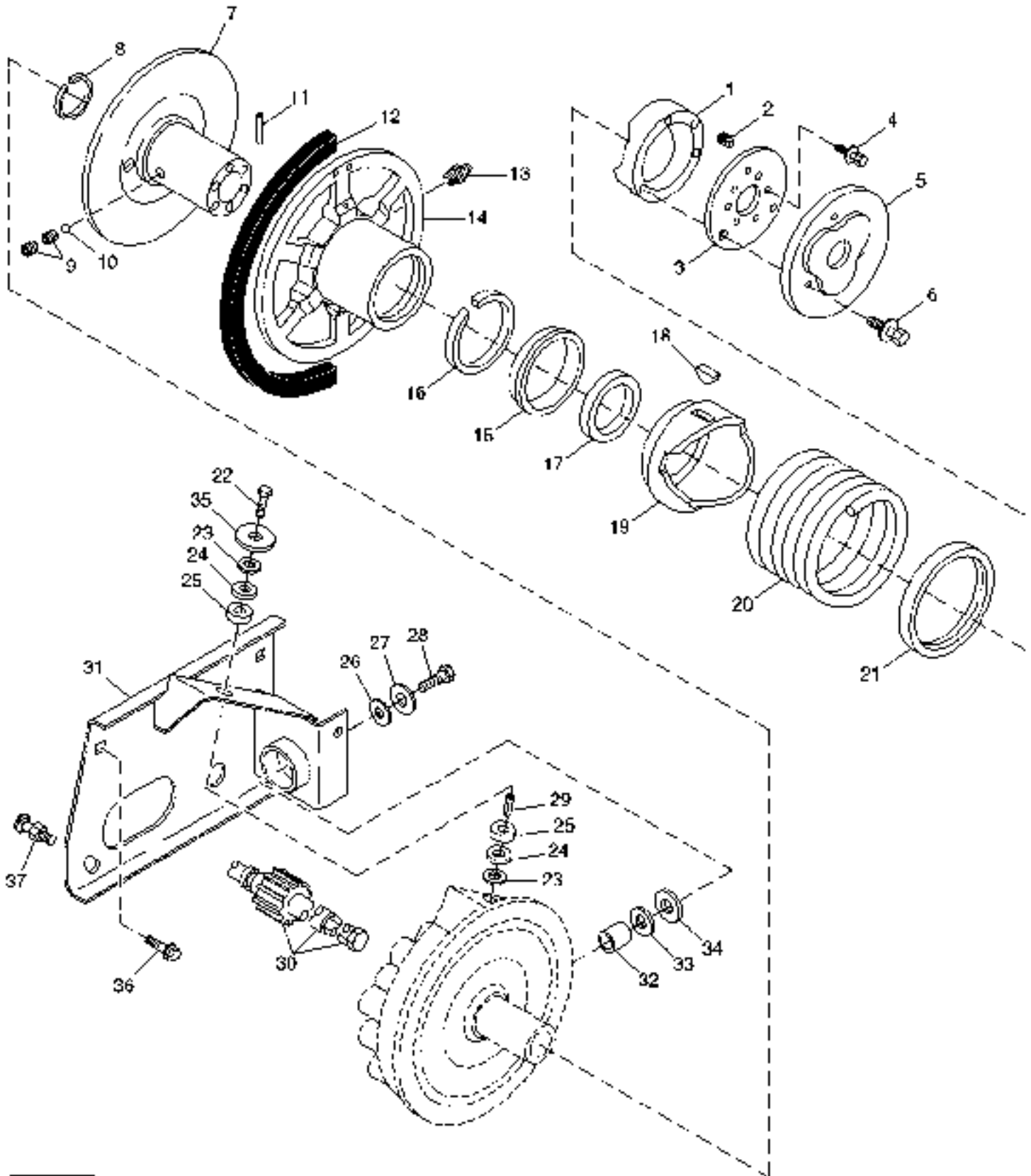
MEMORANDA

MEMORANDA

# 4F9

FEEDER HOUSE

## FRONT VARIABLE DRIVE SHEAVE AND MOUNTINGS HP9316 -UN-08DEC99



HP9316



# 4F10

FEEDER HOUSE

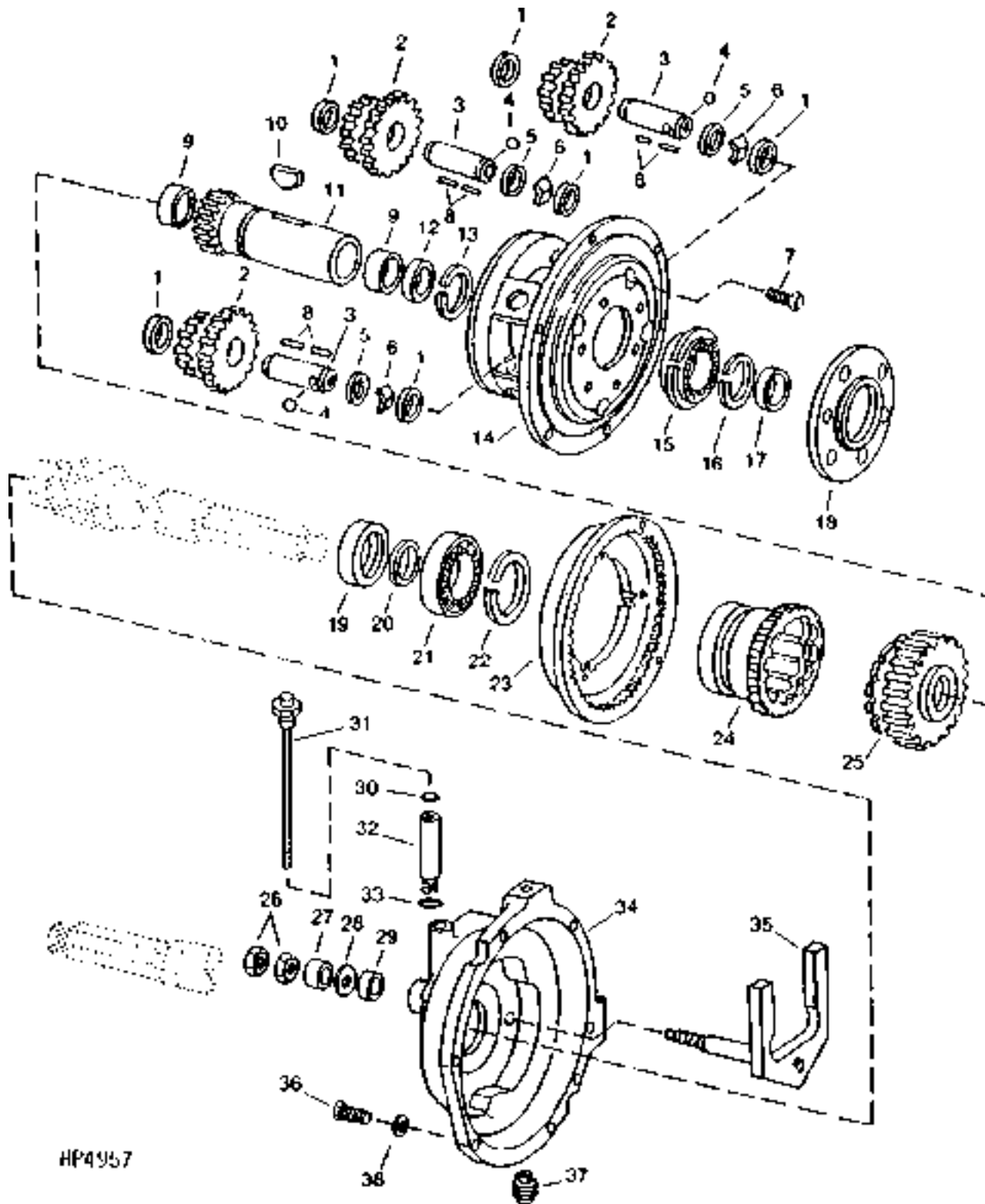
FRONT VARIABLE DRIVE SHEAVE AND MOUNTING - CONTINUED

KEY	PART NO.	PART NAME	QTY	SERIAL NO.	REMARKS
1	.....	CAM	1		(A) (ORDER AH138751) INNER
2	32243	PLUG	1		
3	H107793	WASHER	1		
4	19H1936	CAP SCREW	6		3/8" X 3/4"
	12H304	LOCK WASHER	6		3/8"
5	H155459	RETAINER	1		(SUB FOR H93368)
6	19H3034	CAP SCREW	3		3/8" X 3"
	12H304	LOCK WASHER	3		3/8"
7	H108673	SHEAVE	1		
8	B3118R	SNAP RING	1		
9	22H775	SET SCREW	2		5/16" X 1/4"
10	H110922	BALL	1		0.236"
11	34H305	SPRING PIN	1		7/32" X 2"
12	H125711	BELT	1		
13	JD7759	LUBRICATION FITTING	2		
14	H107735	SHEAVE	1		
15	H97308	SNAP RING	1		
16	H110728	RETAINER	1		
17	AH108161	SEAL	1		
18	26H104	SHAFT KEY	1	671026-	5/16" X 2-1/8"
19	.....	CAM	1		(A) (ORDER AH138751) OUTER
20	H92260	SPRING	1		
21	AH96345	SEAL	1		
22	19H1863	CAP SCREW	1		5/8" X 3"
23	P50456	WASHER	2		16.301 X 76.200 X 4.500 MM (0.642" X 3" X 0.177")
24	H148132	BUSHING	2		(SUB FOR H80197)
25	H148133	RETAINER	2		(SUB FOR H78856)
26	T55761	SUPPORT	1		
27	R20136	WASHER	1		19.837 X 69.850 X 6.350 MM (25/32" X 2-3/4" X 1/4")
28	19H1950	CAP SCREW	1		5/8" X 3-3/4"
29	H148134	SPACER	1		(SUB FOR H85482)
30	AH97642	SHAFT	1		
	AH136873	SHAFT	1	660401-31JA00	CONTOUR MASTER
	AH152937	SHAFT	1		CONTOUR MASTER (USE WITH AH149349 (DRIVE SPROCKET) AND H170634 (TONE WHEEL))
31	AH144099	SUPPORT	1		(SUB FOR AH139919)
32	H95417	SPACER	1		
33	H97410	WASHER	1		26 X 108 X 6 MM (1.024" X 4.252" X 0.236")
34	R62502	SUPPORT	1		
35	24M7241	WASHER	1		17 X 34 X 4 MM
36	19M7784	SCREW	1		M10 X 20
37	03M7191	BOLT	5		M10 X 25
	14M7296	FLANGE NUT	5		M10
..	T43512	SEALANT	1		50 ML SIZE (CANADA PART NO. TY9477)
..	T43515	ANTI-SEIZE COMPOUND	1		50 ML SIZE
..	TY6333	GREASE	1		14 OZ. TUBE
..	AH138751	KIT	1		INCLUDES PARTS MARKED WITH (A).

# 4F11

FEEDER HOUSE

REVERSER GEAR BOX  
HP4957 -UN-01JAN94



HP4957

# 4F12

FEEDER HOUSE

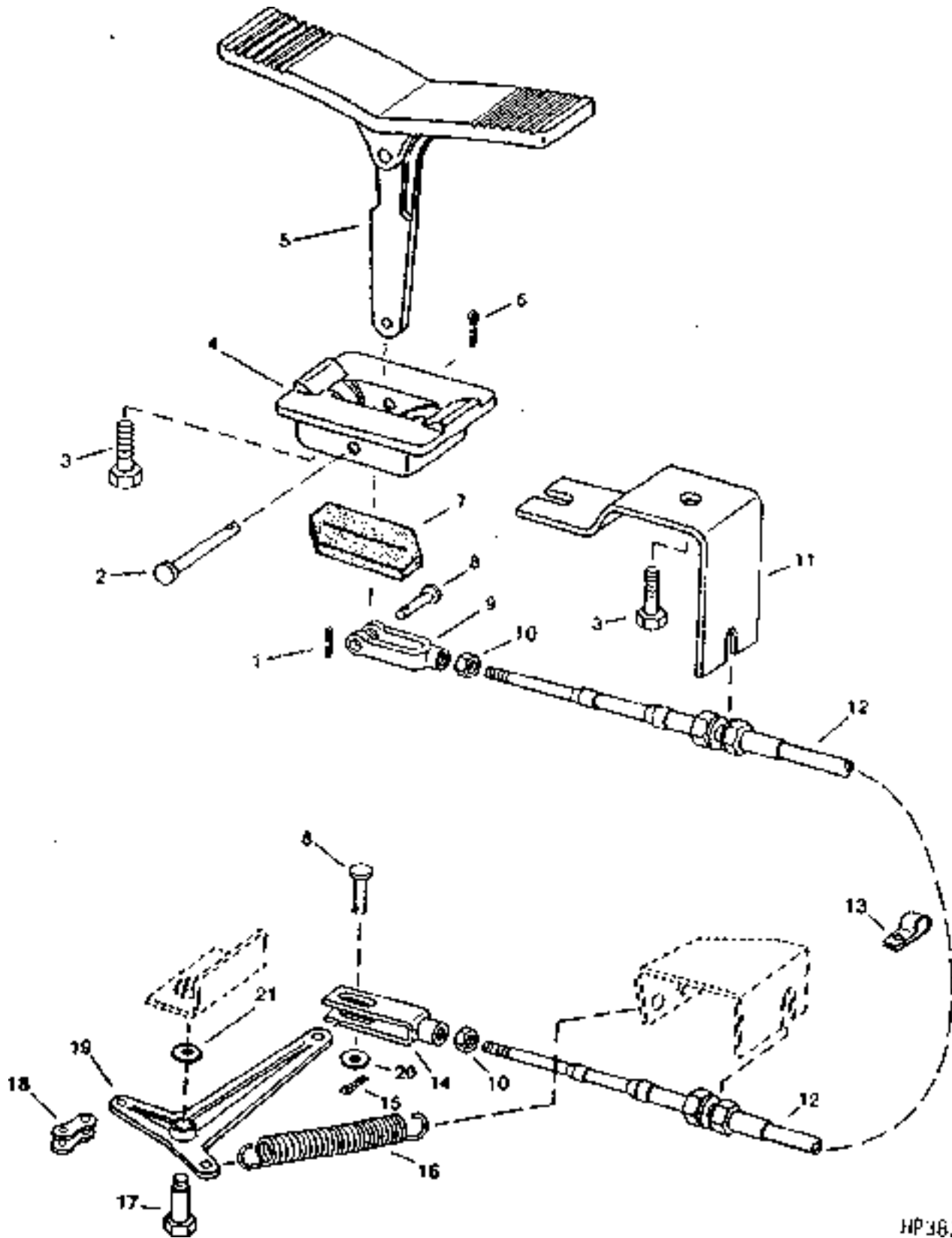
## REVERSER GEAR BOX - CONTINUED

KEY	PART NO.	PART NAME	QTY	SERIAL NO.	REMARKS
1	R66197	THRUST WASHER	6		
2	H105912	PINION	3		(SUB H168994)
	H168994	PINION	3		
3	R33079	PIN	3		
4	H871R	BALL	3		
5	R33088	WASHER	3		
6	H89617	SPACER	3		
7	19H1936	CAP SCREW	6		3/8" X 3/4"
8	R33058	NEEDLE ROLLER	186		(6 SETS OF 31)
9	JD8819	NEEDLE BEARING	2		
10	26H104	SHAFT KEY	2		5/16" X 2-1/8"
11	H105909	GEAR	1		INPUT
12	E53699	SEAL	1		
13	B3118R	SNAP RING	1		
14	H149504	COVER	1		(SUB H168125) (SUB FOR H98906)
	H168125	COVER	1		
15	JD10010	BALL BEARING	1		(WITH SNAP RING)
16	R39081	SNAP RING	1		
17	RE37626	SEAL	1	-655400	(SUB AH144715)
	AH144715	SEAL	1		
18	H150662	BEARING HOUSING W/O BEARING	1		(SUB FOR H146585)
19	AH140185	SEAL	1		
20	N71922	SNAP RING	1		
21	JD10011	BALL BEARING	1		
22	BP13620	SNAP RING	1		
23	AH105040	GEAR	1		INCLUDES (3) 16H1144 RIVETS
	16H1144	RIVET	3		5/16" X 1-3/4"
24	H132328	SHIFT COLLAR	1		
25	H106073	GEAR	1		OUTPUT
26	14H832	NUT	2		9/16"
27	28H2499	BUSHING	1		
28	24H1378	WASHER	1		11/16" X 1-15/32" X 0.134"
29	AN113330	SEAL	1		
30	R26375	O-RING	1		
31	AH140615	INDICATOR LIGHT	1		
32	H140195	SPACER	1		
33	R26906	O-RING	1		
34	AH159233	HOUSING	1		(SUB FOR H146951, H149174 OR H149593)
35	AH93110	SHIFTER	1		
36	19H1731	CAP SCREW	6		3/8" X 1"
37	AN31004	PIPE PLUG	1		
38	12H304	LOCK WASHER	6		3/8"
..	TY15130	SEALANT	1		3 OZ. SIZE
..	AH153341	GEAR CASE	1		USE WITH AH149349 (DRIVE SPROCKET) AND H170634 (TONE WHEEL) (SUB FOR AH156049 OR AH145314) CONTOUR MASTER
..	AH134864	CASE	1		WITHOUT DRIVES

# 4F13

FEEDER HOUSE

FEEDER HOUSE REVERSER FOOT CONTROL  
HP3833 -UN-01JAN94



HP3833

# 4F14

FEEDER HOUSE

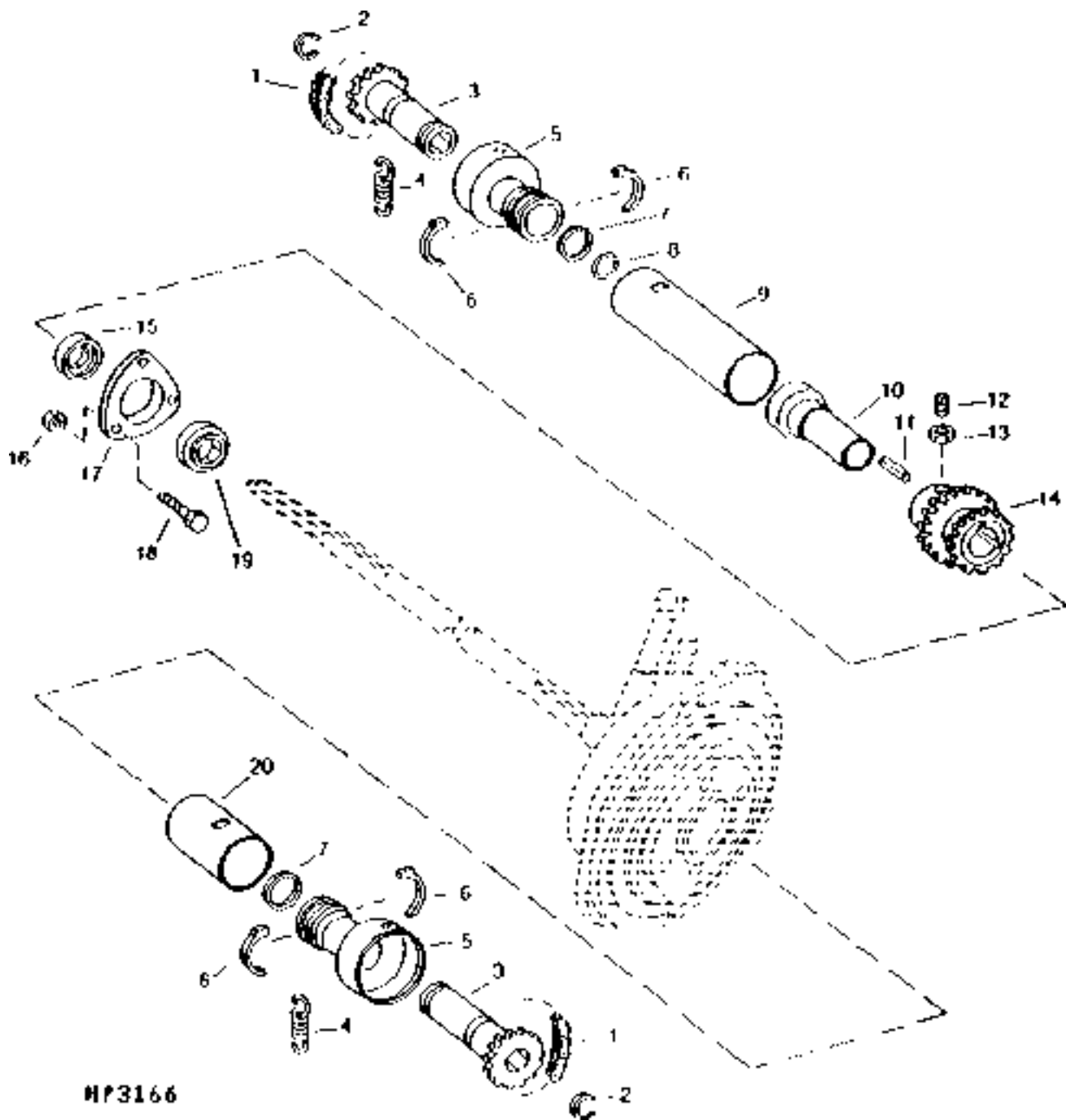
**FEEDER HOUSE REVERSER FOOT CONTROL - CONTINUED**

KEY	PART NO.	PART NAME	QTY	SERIAL NO.	REMARKS
1	11M7082	COTTER PIN	1		
2	R65569	PIN	1		2.500 X 25 MM
3	19M7866	SCREW	4		M8 X 20
4	H134489	BEZEL	1		
5	H134488	PEDAL	1		
6	11M7081	COTTER PIN	1		2.500 X 20 MM
7	H133210	SEAL	1		
8	T16193	PIN	1		6.248 X 29.362 MM (0.246" X 1-5/32")
9	H130646	YOKE	1		
10	14M7273	NUT	2		
11	H133208	SUPPORT	1		
12	AH128452	PUSH PULL CABLE	1		
13	R73384	CLAMP	1		
14	AH127383	YOKE	1		
15	11M7082	COTTER PIN	1		2.500 X 25 MM
16	H84948	SPRING	1		
17	H127749	BOLT	1		M12 X 45
18	AE23791	CHAIN LINK	1		
19	H140836	BELLCRANK	1		BELLCRANK HAS TWO CONNECTING HOLES
20	24M7054	WASHER	1		6.400 X 12 X 1.600 MM
21	24M7047	WASHER	1		13 X 24 X 2.500 MM

# 4F15

FEEDER HOUSE

FRONT SHAFT WITH REVERSER - (VARIABLE)  
HP3166 -UN-21JUL95



HP3166

# 4F16

FEEDER HOUSE

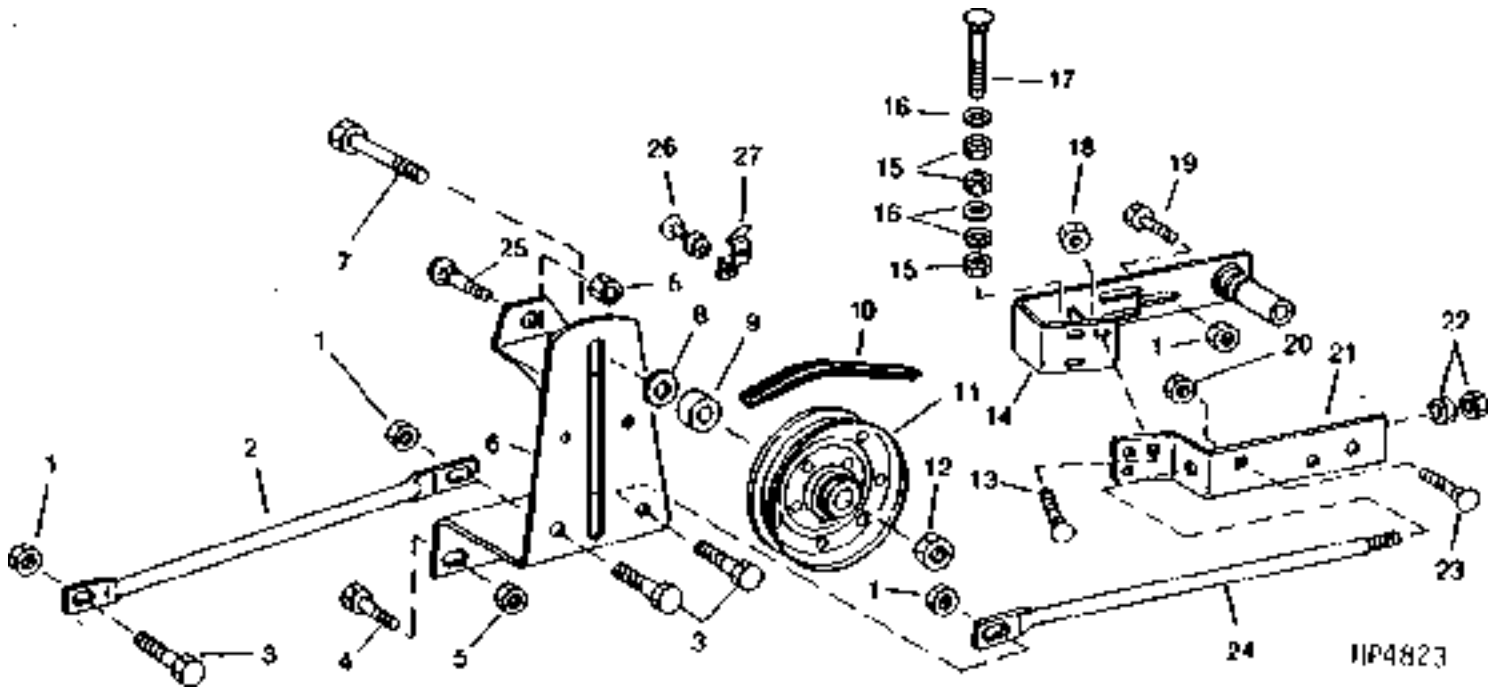
**FRONT SHAFT WITH REVERSER - (VARIABLE) - CONTINUED**

KEY	PART NO.	PART NAME	QTY	SERIAL NO.	REMARKS
1	AN102383	LINK CHAIN	2		
2	H80926	SNAP RING	2		
3	AN102382	CHAIN SPROCKET	2		
4	H128118	SPRING	2		
5	H148818	QUICK COUPLER	2		(SUB FOR AH125783)
6	E62951	UNIVERSAL JOINT BEARING	4		
7	H25360	SNAP RING	2		
8	H28865	SNAP RING	1		
9	H127604	TUBE	1		
10	AH122495	SHIELD	1		
11	M73000	SHAFT KEY	1		
12	H138435	SET SCREW	2		
13	14M7274	NUT	2	M10	
14	AH125782	CHAIN SPROCKET	1		
15	JD9201	ECCENTRIC LOCKING COLLAR	1		
16	14M7296	FLANGE NUT	3	M10	
17	H93927	HOUSING	1		
18	03M7192	BOLT	3	M10 X 30	
19	JD9202	BALL BEARING	1		
20	H127603	TUBE	1		

# 4F17

FEEDER HOUSE

VARIABLE SPEED DRIVE TIGHTENER  
HP4823 -UN-01JAN94





# 4F18

FEEDER HOUSE

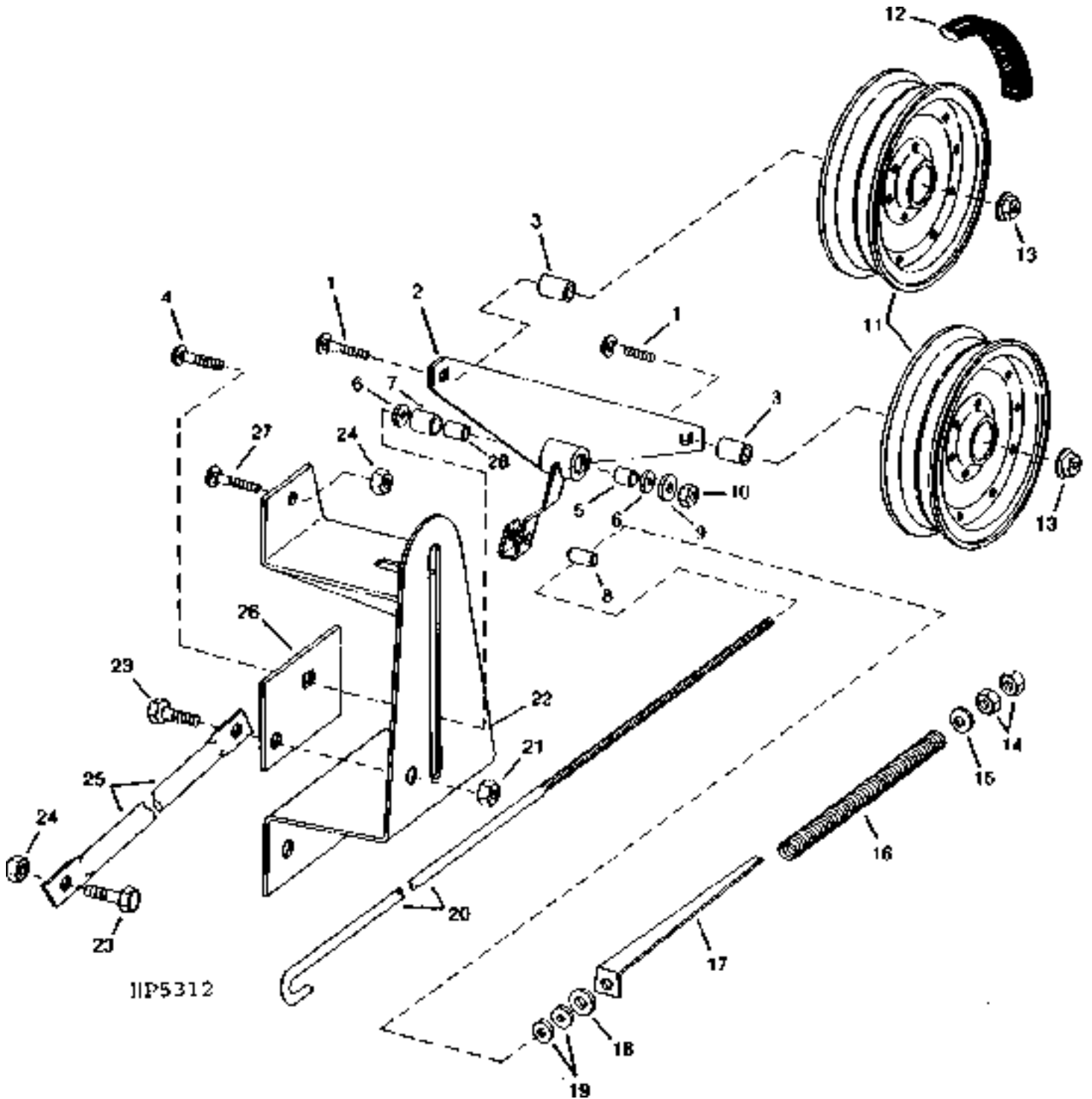
VARIABLE SPEED DRIVE TIGHTENER - CONTINUED

KEY	PART NO.	PART NAME	QTY	SERIAL NO.	REMARKS
1	14M7299	FLANGE NUT	6	M12	
2	H126371	BRACE	1		
3	19M7789	SCREW	3	M12 X 30	
4	19M7789	SCREW	2	M12 X 30	
5	14M7299	FLANGE NUT	3	M12	
6	AH139295	BRACKET	1		
7	19M7845	SCREW	1	M16 X 90	
8	24H1698	WASHER	1		
9	H113892	SHIFT COLLAR	1		
10	H161648	BELT	1	(SUB FOR H125711)	
11	AH94450	IDLER	1		
12	14M7291	FLANGE NUT	1	M16	
13	03M7192	BOLT	3	M10 X 30	
14	AH120972	SUPPORT	1		
15	14H821	NUT	3	5/8"	
16	24M7053	WASHER	3	17 X 30 X 3 MM	
17	03H2308	BOLT	1	5/8" X 3-1/4"	
18	14M7296	FLANGE NUT	3	M10	
19	19M7790	SCREW	3	M12 X 35	
20	14M7298	FLANGE NUT	2	M8	
21	H134087	STRAP	1		
22	14M7277	NUT	2	M20	
23	03M7185	BOLT	2	M8 X 25	
24	AH142407	BRACE	1	(SUB FOR AH128649)	
25	03M7197	BOLT	1	M12 X 25	
26	03M7183	BOLT	1	M8 X 16	
	14M7298	FLANGE NUT	1	M8	
27	H136336	HOSE CLAMP	1		
..	<b>BH81390</b>	<b>COMPLETE GOODS/SHIP. BUNDLE</b>	<b>1</b>	<b>RETROFIT - NARROW FEEDER HOUSE</b>	
..	<b>BH81446</b>	<b>COMPLETE GOODS/SHIP. BUNDLE</b>	<b>1</b>	<b>RETROFIT - NARROW FEEDER HOUSE, CONTOUR MASTER</b>	

# 4F19

FEEDER HOUSE

FIXED SPEED FEEDER HOUSE DRIVE TIGHTENER  
HP5312 -UN-01JAN94



# 4F20

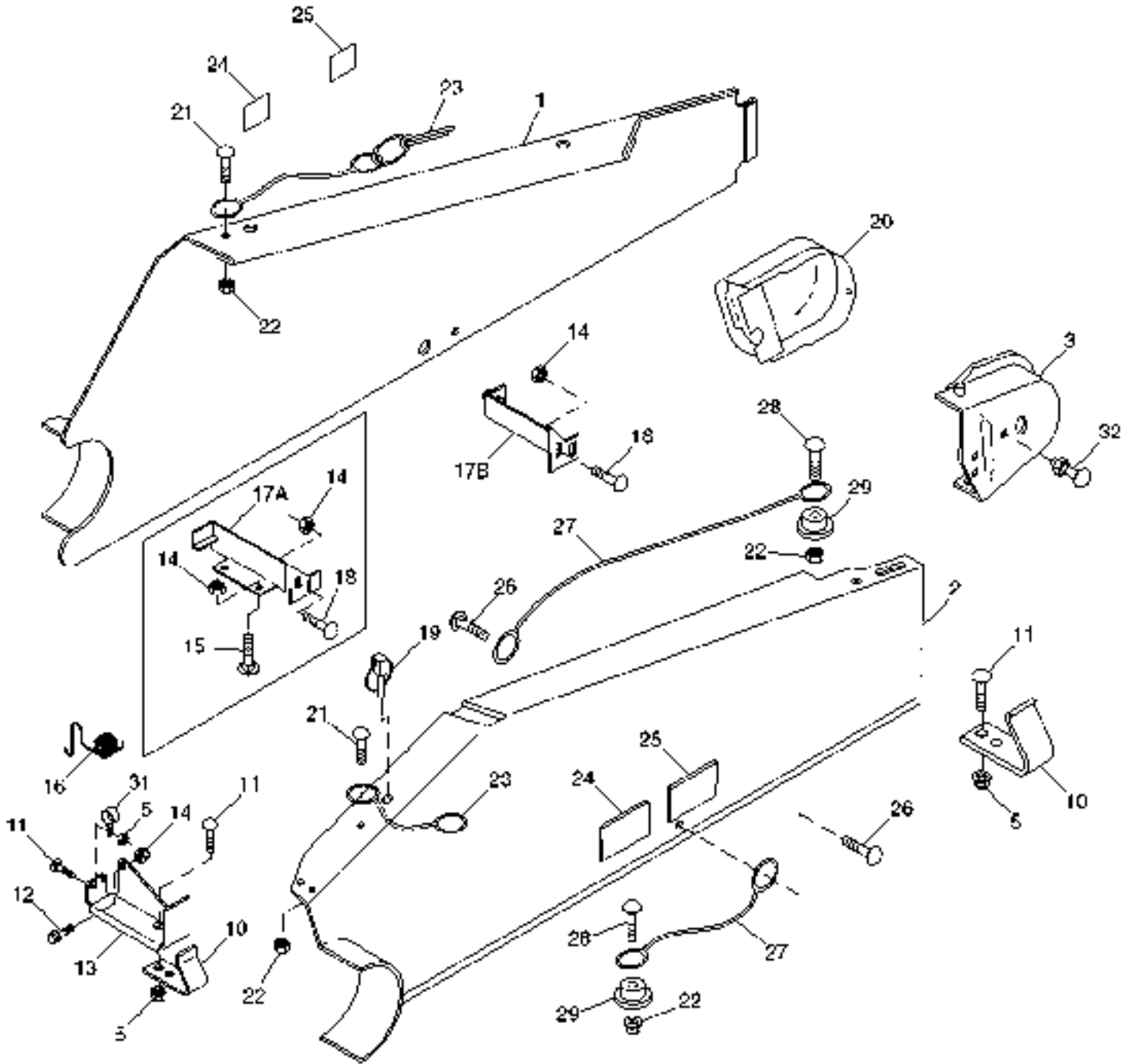
FEEDER HOUSE

## FIXED SPEED FEEDER HOUSE DRIVE TIGHTENER - CONTINUED

KEY	PART NO.	PART NAME	QTY	SERIAL NO.	REMARKS
1	03M7211	BOLT	2		M16 X 70
2	AH97340	ARM	1		
3	M2952DN	SPACER	2	-660400	16.662 X 25.400 X 11.125 MM (21/32" X 1" X 7/16") (SUB L1730N)
	L1730N	BUSHING	2		16.662 X 25.400 X 12.700 MM (21/32" X 1" X 1/2")
4	03M7248	BOLT	1		M12 X 90
5	H98655	BUSHING	2		
6	24H1413	WASHER	2		57/64" X 1-3/8" X 0.048"
7	H89297	BUSHING	1		
8	H132825	PIVOT	1		
9	24H1748	WASHER	1		1/2" X 1-1/4" X 0.105"
10	A31867	LOCK NUT	1		
11	AH94450	IDLER	2		
12	H126345	BELT	1		
13	14M7291	FLANGE NUT	2		M16
14	14M7275	NUT	2		M12
15	24H1789	WASHER	1		17/32" X 1-1/4" X 0.105"
16	A25695	SPRING	1		
17	H95499	GAUGE	1		
18	24H1748	WASHER	1		
19	24M7240	WASHER	2		13 X 25 X 3 MM
20	H126346	BOLT	1		
21	14M7299	FLANGE NUT	1		M12
22	AH139295	BRACKET	1		
23	19M7789	SCREW	2		M12 X 30
24	14M7299	FLANGE NUT	2		M12
25	H126371	BRACE	1		
26	H126370	REINFORCEMENT	1		
27	03M7198	BOLT	1		M12 X 30

# 4F21

FEEDER HOUSE DRIVE SHIELDS AND SAFETY STOP  
HP9311 -UN-19NOV99



HP9311

# 4F22

FEEDER HOUSE

## FEEDER HOUSE DRIVE SHIELDS AND SAFETY STOP - CONTINUED

KEY	PART NO.	PART NAME	QTY	SERIAL NO.	REMARKS
1	AH156377	SHIELD	1	29SEP7-	(SUB FOR AH135962, AH141807 OR AH151302) R.H.
	AH160053	SHIELD	1	5JAN98-	(SUB FOR AH155736) R.H., LL
	AH160054	SHIELD	1	5JAN98-	(SUB FOR AH155737) R.H., LT
2	AH156406	SHIELD	1		(SUB FOR AH134824 OR AH153819) L.H.
3	AH156066	SHIELD	1		(SUB FOR AH134826 OR AH139995)
4A	AH143871	STOP	1	-655400	(SUB FOR AH141152)
4B	AH144030	STOP	1	655401-	
5	14M7298	FLANGE NUT	8		M8
6	H150055	SUPPORT	1	-655400	(SUB FOR H127625)
7	03M7183	BOLT	2		M8 X 16
8	A15146	SPRING LOCKING PIN	1	-655400	(USE WITH AH143871)
9	H150054	BUSHING	2		(SUB FOR H135407)
10	H140122	CLIP	2		
11	03M7183	BOLT	6		M8 X 16
12	19M7784	SCREW	1		M10 X 20
13	H134085	BRACKET	1		
14	14M7296	FLANGE NUT	4		M10
15	03M7191	BOLT	1		M10 X 25
16	H127781	SPRING	1		
17A	H134733	BRACKET	1	-650400	
17B	AH136358	RETAINER	1	650401-	
18	03M7190	BOLT	2		M10 X 20
19	M72598	QUICK LOCK PIN	4		
20	H146766	POWERSHAFT SHIELD	1		(SUB FOR AH139352) R.H.
21	21M7125	SCREW	2		M8 X 25
22	14M7298	FLANGE NUT	4		M8
23	AH135290	QUICK LOCK PIN	2		
24	H137939	LABEL	1		(HARNESS AND HOSE STORAGE)
	H149063	LABEL	2		
25	H126397	LABEL	1		(VARIABLE SPEED DRIVE)
	H164537	SIGN	2	29SEP7-	SERVICE
26	03M7186	BOLT	2		M8 X 30
27	AH134121	CABLE	2		
28	21M7125	SCREW	2		M8 X 25
29	M93425	SPACER	2		
30	40M7058	SNAP RING	2		(SUB FOR Z56747 OR H150454)
31	AH89496	BRACKET	1		
32	03M7185	BOLT	1	671026-	M8 X 25
	14M7298	FLANGE NUT	1	671026-	M8
..	<b>BH81390</b>	<b>COMPLETE GOODS/SHIP. BUNDLE</b>	<b>1</b>		<b>RETROFIT - NARROW FEEDER HOUSE</b>

# 4F23

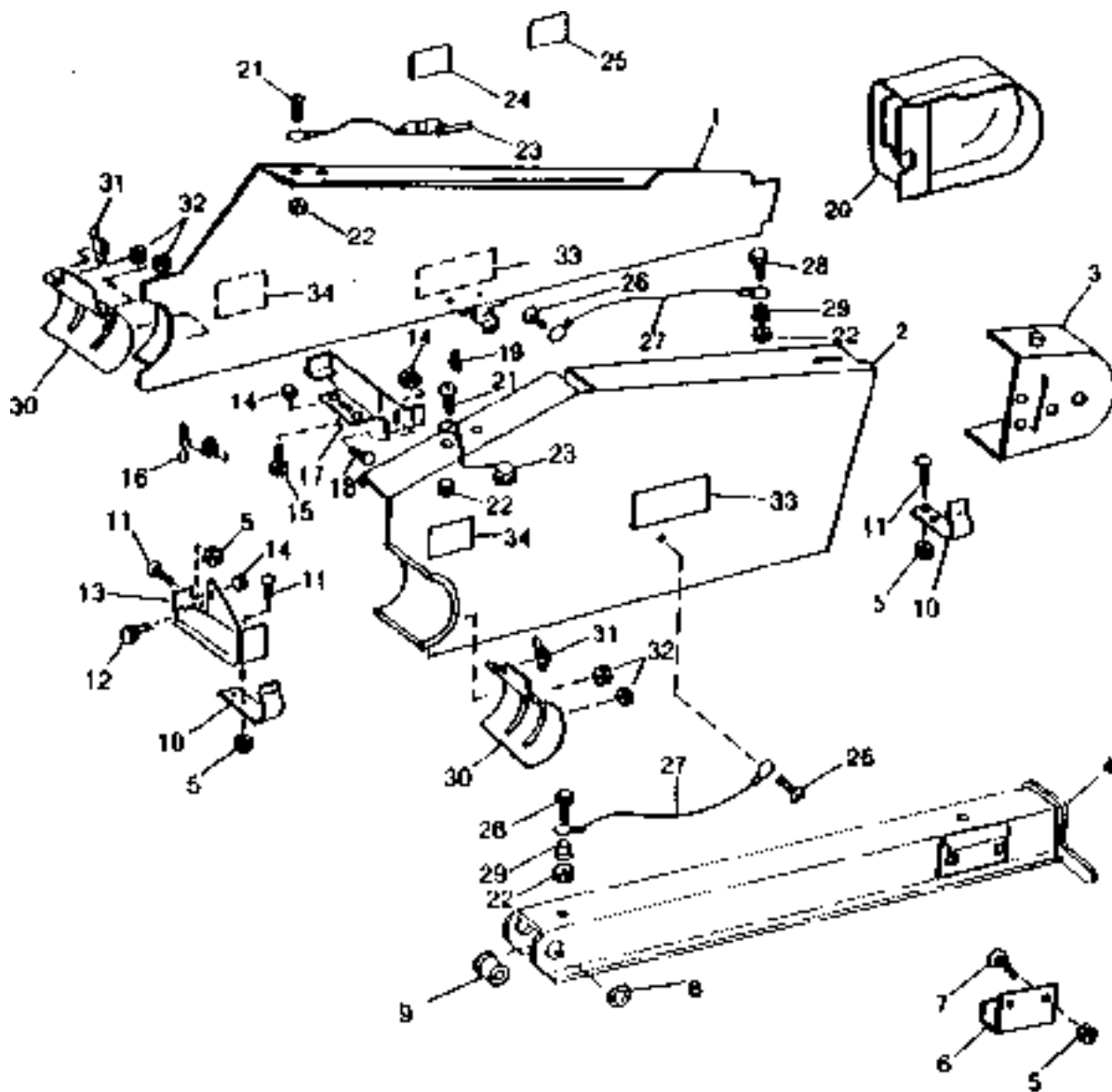
FEEDER HOUSE

FEEDER HOUSE DRIVE SHIELDS AND SAFETY STOP - CONTOUR MASTER

(660401-660432)

HP6245

-UN-04JAN96



HP6245

# 4F24

FEEDER HOUSE

**FEEDER HOUSE DRIVE SHIELDS AND SAFETY STOP - CONTOUR MASTER - CONTINUED**  
**(660401-660433)**

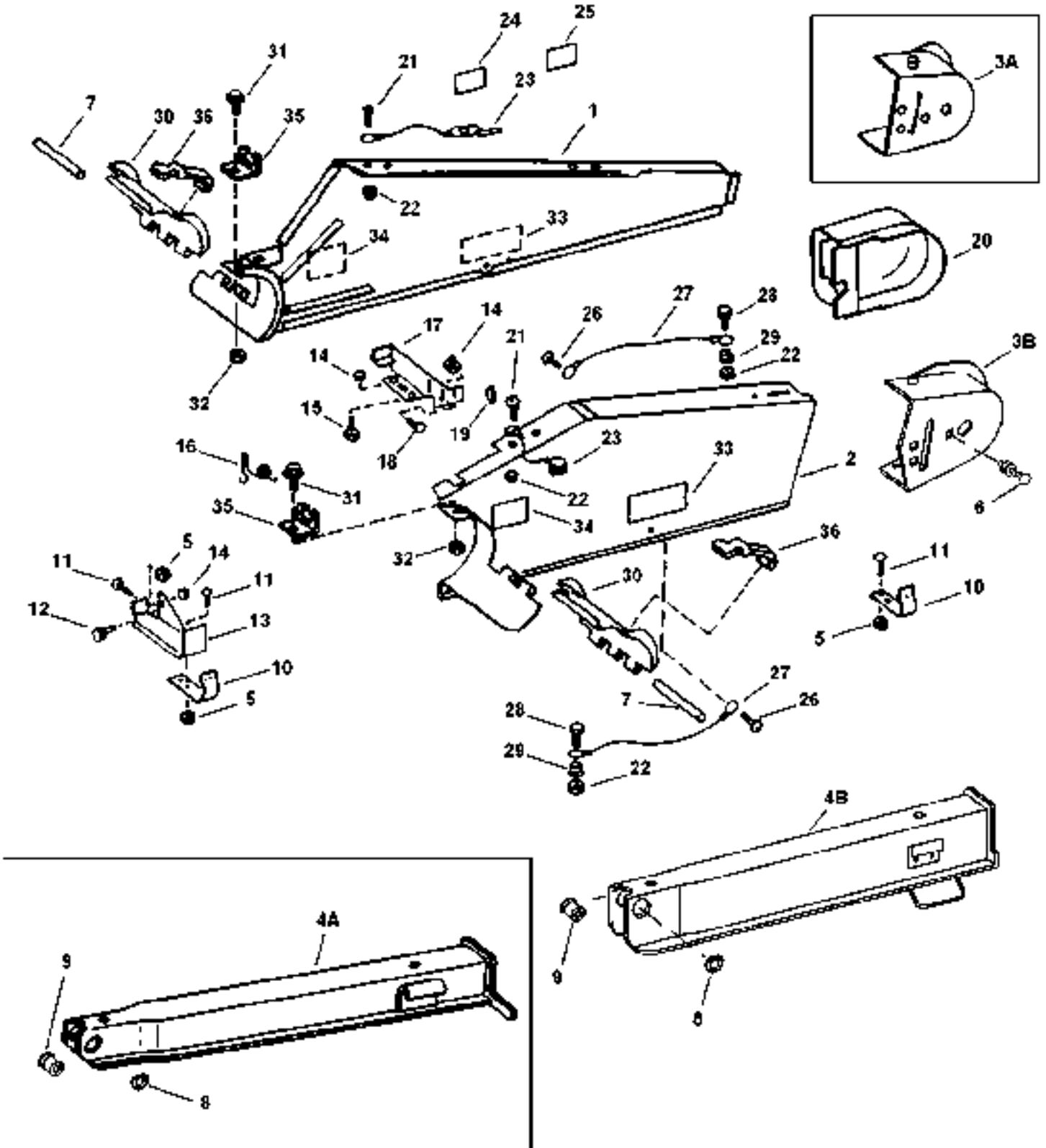
KEY	PART NO.	PART NAME	QTY	SERIAL NO.	REMARKS
1	AH156375	SHIELD	1		(SUB FOR AH145631, AH146197 OR AH151598) R.H.
2	AH149088	SHIELD	1	-660432	(SUB AH156374) (SUB FOR AH145580 OR AH146198) L.H.
	AH156374	SHIELD	1	660433-	L.H.
3	AH134826	SHIELD	1		
4	AH144030	STOP	1		
5	14M7298	FLANGE NUT	8		M8
6	H150055	SUPPORT	1		
7	03M7183	BOLT	2		M8 X 16
8	40M7058	SNAP RING	1		(SUB FOR H150454)
9	H150054	BUSHING	2		
10	H140122	CLIP	2		
11	03M7184	BOLT	6		M8 X 20
12	19M7785	SCREW	1		M10 X 25
13	H134085	BRACKET	1		
14	14M7296	FLANGE NUT	4		M10
15	03M7191	BOLT	1		
16	H127781	SPRING	1		
17	AH136358	RETAINER	1	-29SEP7	
18	03M7190	BOLT	2		M10 X 20
19	M72598	QUICK LOCK PIN	4	-660400	
20	H146766	POWERSHAFT SHIELD	1		R.H.
21	21M7125	SCREW	3		M8 X 25
22	14M7298	FLANGE NUT	4		M8
23	AH135290	QUICK LOCK PIN	3		
24	H137939	LABEL	1		(HARNES AND HOSE STORAGE)
25	H126397	LABEL	1		(VARIABLE SPEED DRIVE)
26	03M7186	BOLT	2		M8 X 30
27	AH134121	CABLE	1		(INCLUDES R73290)
28	21M7125	SCREW	2		M8 X 25
29	M93425	SPACER	2		
30	H156379	SHIELD	2		(SUB FOR H150335 OR H151757)
31	14M7020	WING NUT	2		M8
32	19M7396	CAP SCREW	4		M16 X 45
33	H149063	LABEL	2		"DANGER"
34	H150434	LABEL	2		(LUBE)

# 4G1

FEEDER HOUSE

## FEEDER HOUSE DRIVE SHIELDS AND SAFETY STOP - CONTOUR MASTER

(661186- )  
HP7440 -UN-03MAR98



HP7440



**FEEDER HOUSE DRIVE SHIELDS AND SAFETY STOP - CONTOUR MASTER - CONTINUED**

(660433- )

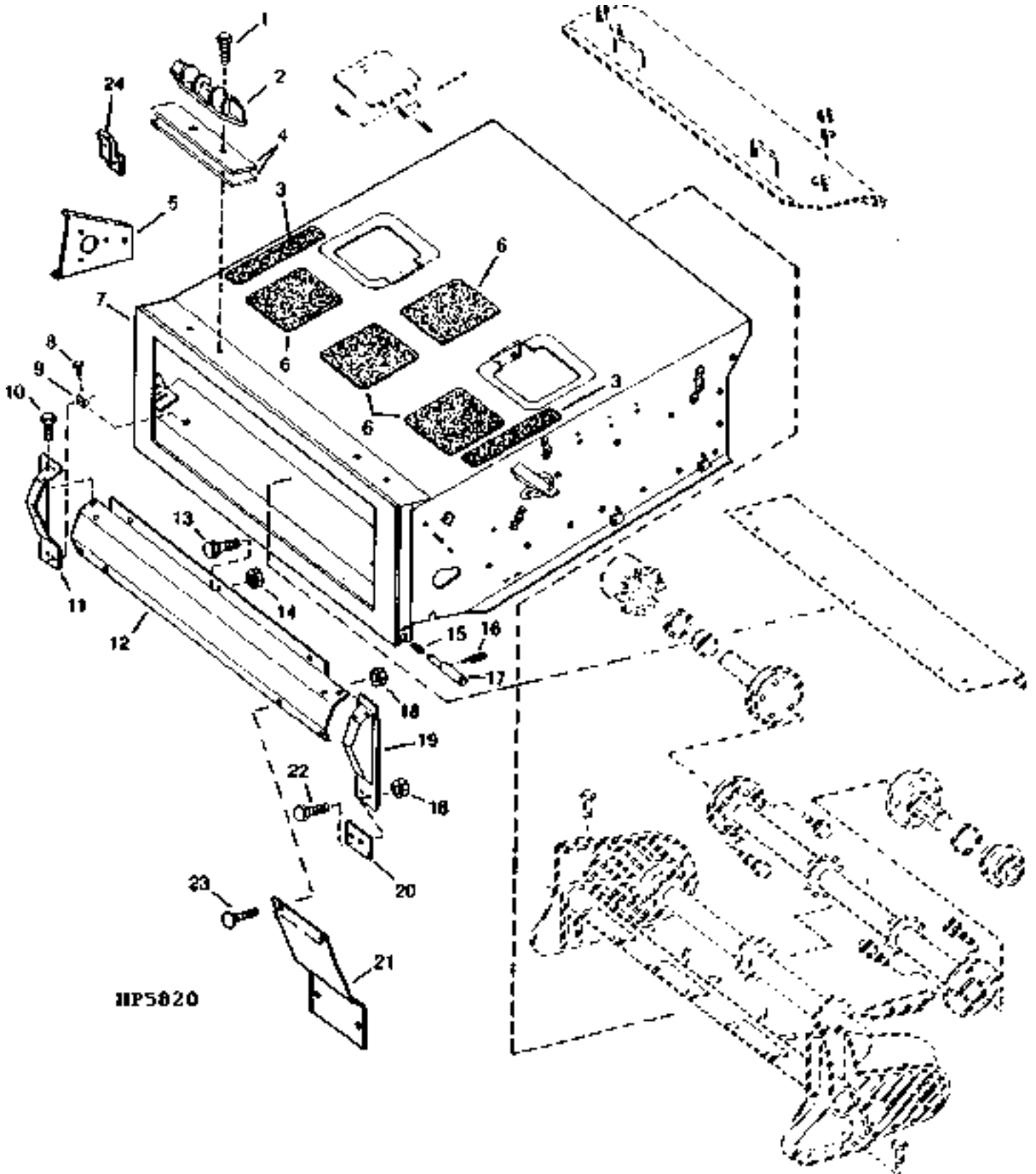
KEY	PART NO.	PART NAME	QTY	SERIAL NO.	REMARKS
1	AH156375	SHIELD	1	-29SEP7	(SUB FOR AH146197 OR AH151598) R.H.
	AH160054	SHIELD	1	29SEP7-	R.H.
2	AH149088	SHIELD	1	-670977	(SUB AH156374) (SUB FOR AH146198) L.H.
	AH156374	SHIELD	1	670978-	L.H.
3	AH156066	SHIELD	1		(SUB FOR AH134826)
4	AH157492	STOP	1		(SUB FOR AH144030 OR AH157306)
5	14M7298	FLANGE NUT	6		M8
6	03M7185	BOLT	2	671026-	M8 X 25
	14M7298	FLANGE NUT	2	671026-	M8
7	.....	PIN	2		(MAKE FROM H76083) (CUT TO 6.88 IN. LENGTH)
8	40M7058	SNAP RING	1		
9	H150054	BUSHING	2		
10	H140122	CLIP	2		
11	03M7184	BOLT	6		M8 X 20
12	19M7785	SCREW	1		M10 X 25
13	H134085	BRACKET	1		
14	14M7296	FLANGE NUT	4		M10
15	03M7191	BOLT	1		
16	H127781	SPRING	1		
17	AH136358	RETAINER	1		
18	03M7190	BOLT	2		M10 X 20
19	M72598	QUICK LOCK PIN	4	-660400	
20	H146766	POWERSHAFT SHIELD	1		R.H.
21	21M7125	SCREW	3		M8 X 25
22	14M7298	FLANGE NUT	4		M8
23	AH135290	QUICK LOCK PIN	3		
24	H137939	LABEL	1		(HARNESS AND HOSE STORAGE)
25	H126397	LABEL	1		(VARIABLE SPEED DRIVE)
26	03M7186	BOLT	2		M8 X 30
27	AH134121	CABLE	1		(INCLUDES R73290)
28	21M7125	SCREW	2		M8 X 25
29	M93425	SPACER	2		
30	H156379	SHIELD	2		(SUB FOR H151757)
31	19M7775	SCREW	2	-670442	M6 X 16
32	14M7397	LOCK NUT	2		M6
33	H149063	LABEL	2		"DANGER"
34	H150434	LABEL	2		(LUBE)
35	H141549	CLAMP	2		
36	A44990	LATCH	2	-670442	
..	<b>BH81390</b>	<b>COMPLETE GOODS/SHIP. BUNDLE</b>	<b>1</b>		<b>RETROFIT - NARROW FEEDER HOUSE</b>
..	<b>BH81446</b>	<b>COMPLETE GOODS/SHIP. BUNDLE</b>	<b>1</b>		<b>RETROFIT - NARROW FEEDER HOUSE, CONTOUR MASTER</b>

# 4G3

FEEDER HOUSE

## FEEDER HOUSE FRAME AND UPPER SHAFT

HP5820 -UN-01JAN94



HP5820

## FEEDER HOUSE FRAME AND UPPER SHAFT - CONTINUED

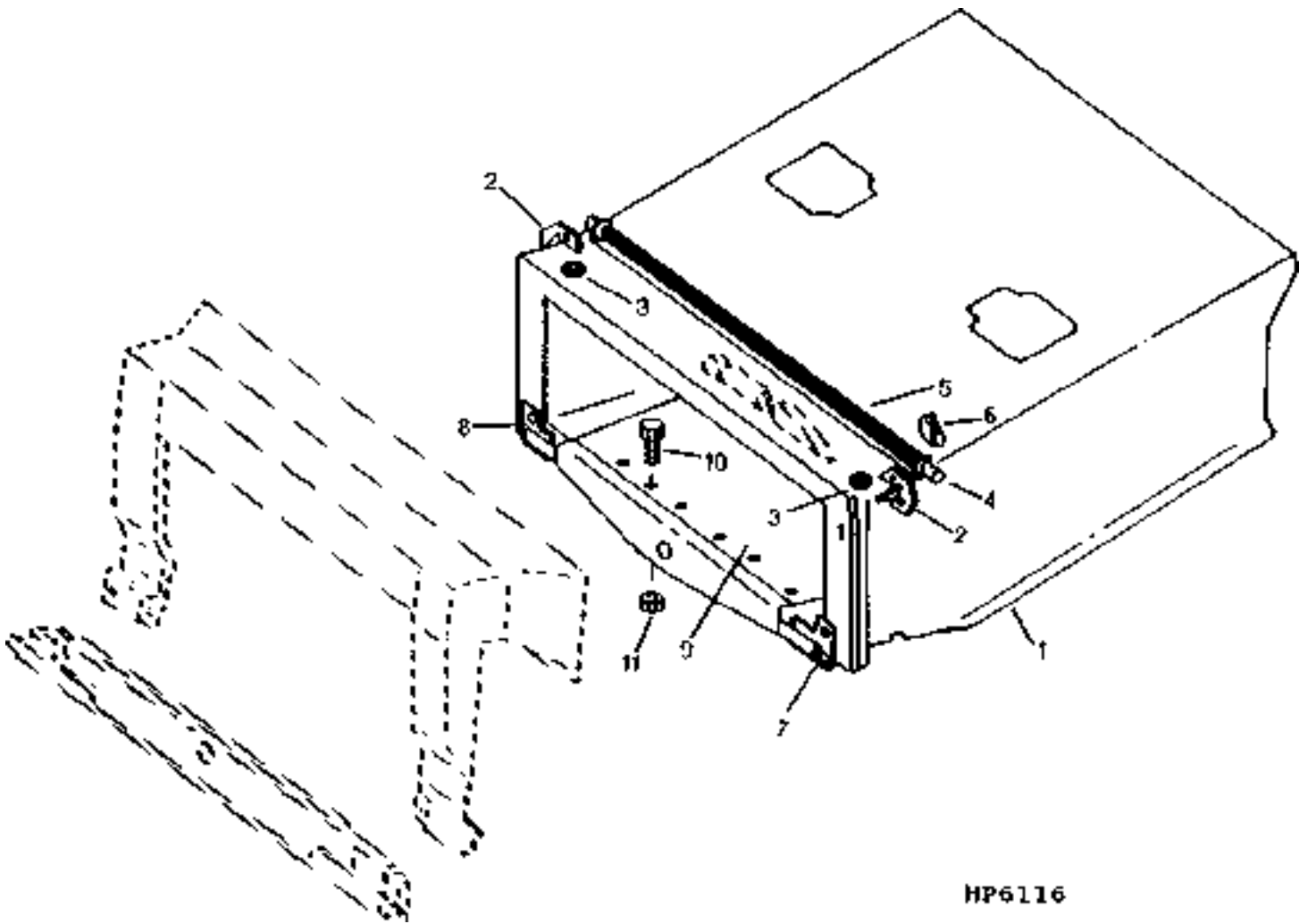
KEY	PART NO.	PART NAME	QTY	SERIAL NO.	REMARKS
1	19M7814	SCREW	4		
2	H159975	BLOCK CLAMP	1		(SUB FOR H93556)
3	H136013	MAT	2	-670400	
	H131743	MAT	1	670401-	
4	H175703	SHIM	4		(SUB FOR H133843)
5	H141835	REINFORCEMENT	2		
6	H136015	MAT	4		
7	AH139641	FRAME	1		HIGH CLEARANCE
	AH142453	FRAME	1		ITALIAN
	AH139516	FRAME	1	655542-	(GRAIN) (INCLUDES H84869 SPACER)
8	03M7192	BOLT	4		M10 X 30
9	H144063	ANGLE	2		
10	03M7190	BOLT	1		M10 X 20
11	H159533	DEFLECTOR	1		(SUB FOR H123636)
12	H123633	SHIELD	1		
	H138220	SHIELD	1		ITALIAN
13	19M7784	SCREW	6		M10 X 20
14	14M7296	FLANGE NUT	6		M10
15	124424	SPRING	2		
16	H134140	BOLT	2		
17	H130826	PIN	2		25.400 X 415.500 MM (1" X 16.358")
	H130040	PIN	2	655570-	25.400 X 277.500 MM (1" X 10.925") (GRAIN)
18	14M7296	FLANGE NUT	3		
19	H159534	DEFLECTOR	1		(SUB FOR H123637)
20	H143407	WEAR PLATE	2		
21	H123638	EXTENSION	2		
22	19M7784	SCREW	7		M10 X 20
23	03M7191	BOLT	4		M10 X 25
24	Z35149	HOLDER	2	655401-	ITALY ONLY
..	<b>BH79543</b>	<b>COMPLETE GOODS/SHIP. BUNDLE</b>	<b>1</b>		<b>FEEDERHOUSE EXT. - RICE CLOSURE</b>

# 4G5

FEEDER HOUSE

## FEEDER HOUSE SHELL, WEAR PLATES AND SEALS - CONTOUR MASTER

(660401- )  
HP6116 -UN-29JUN95



HP6116

# 4G6

FEEDER HOUSE

**FEEDER HOUSE SHELL, WEAR PLATES AND SEALS - CONTOUR MASTER - CONTINUED**  
(660401- )

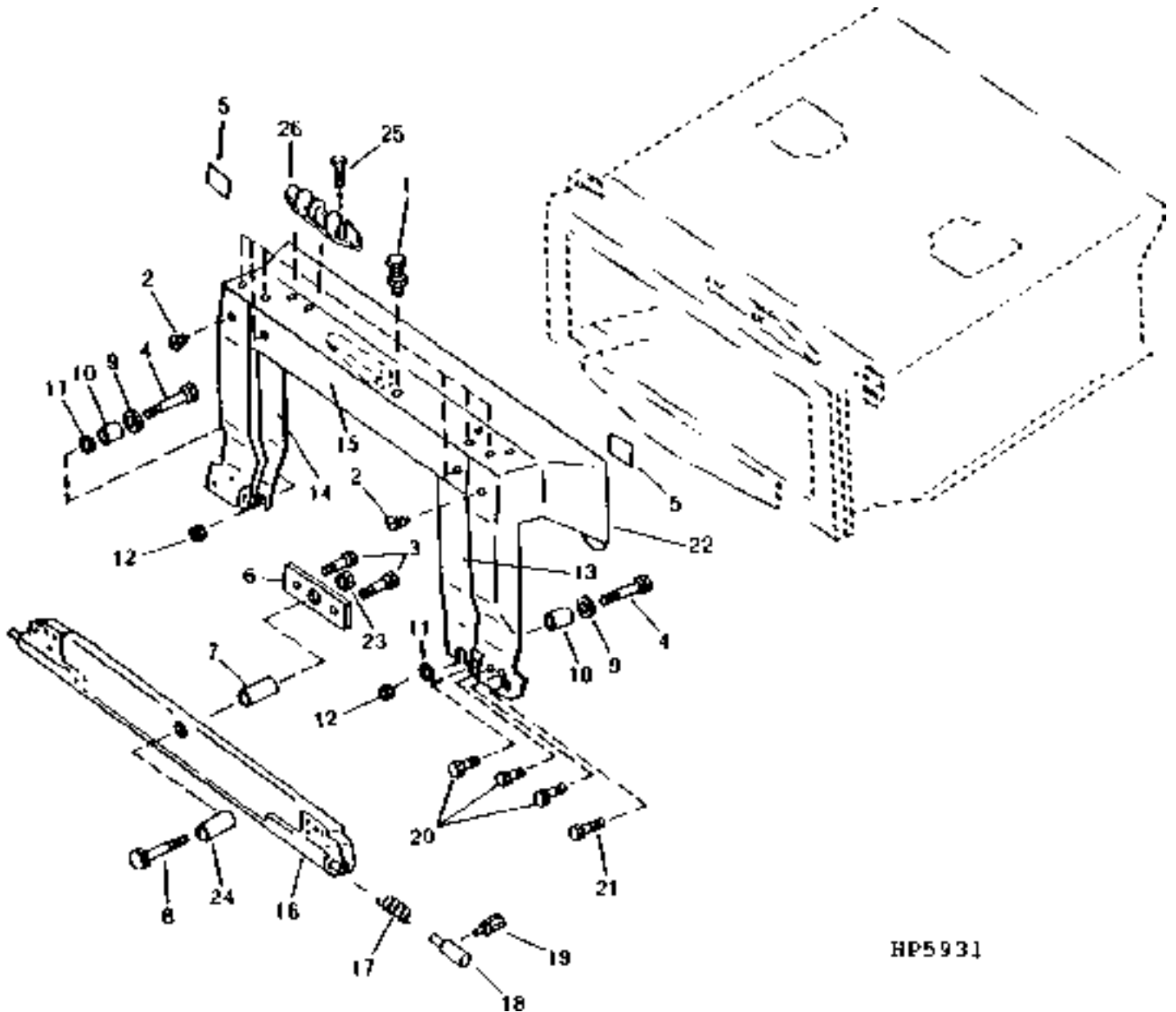
KEY	PART NO.	PART NAME	QTY	SERIAL NO.	REMARKS
1	AH143031	FRAME	1		
2	H149461	WEAR PLATE	2		
3	R495R	O-RING	2		(USE WITH H149461) (FOR RETENTION ONLY)
4	H144825	PIPE	1		
5	H148998	SEAL	1		
6	A15147	SPRING LOCKING PIN	2	-660453	
	M72598	QUICK LOCK PIN	2	660453-	
7	H149459	WEAR PLATE	1		L.H. LOWER
8	H149460	WEAR PLATE	1		R.H. LOWER
9	H142861	PLATE	1		
10	03M7184	BOLT	6		M8 X 20
11	14M7298	FLANGE NUT	6		M8

# 4G7

FEEDER HOUSE

FEEDER HOUSE FRAME, TILT BEAM AND CLOSURE PLATES - CONTOUR MASTER (GRAIN)

(660401- )  
HP5931 -UN-14FEB95



HP5931

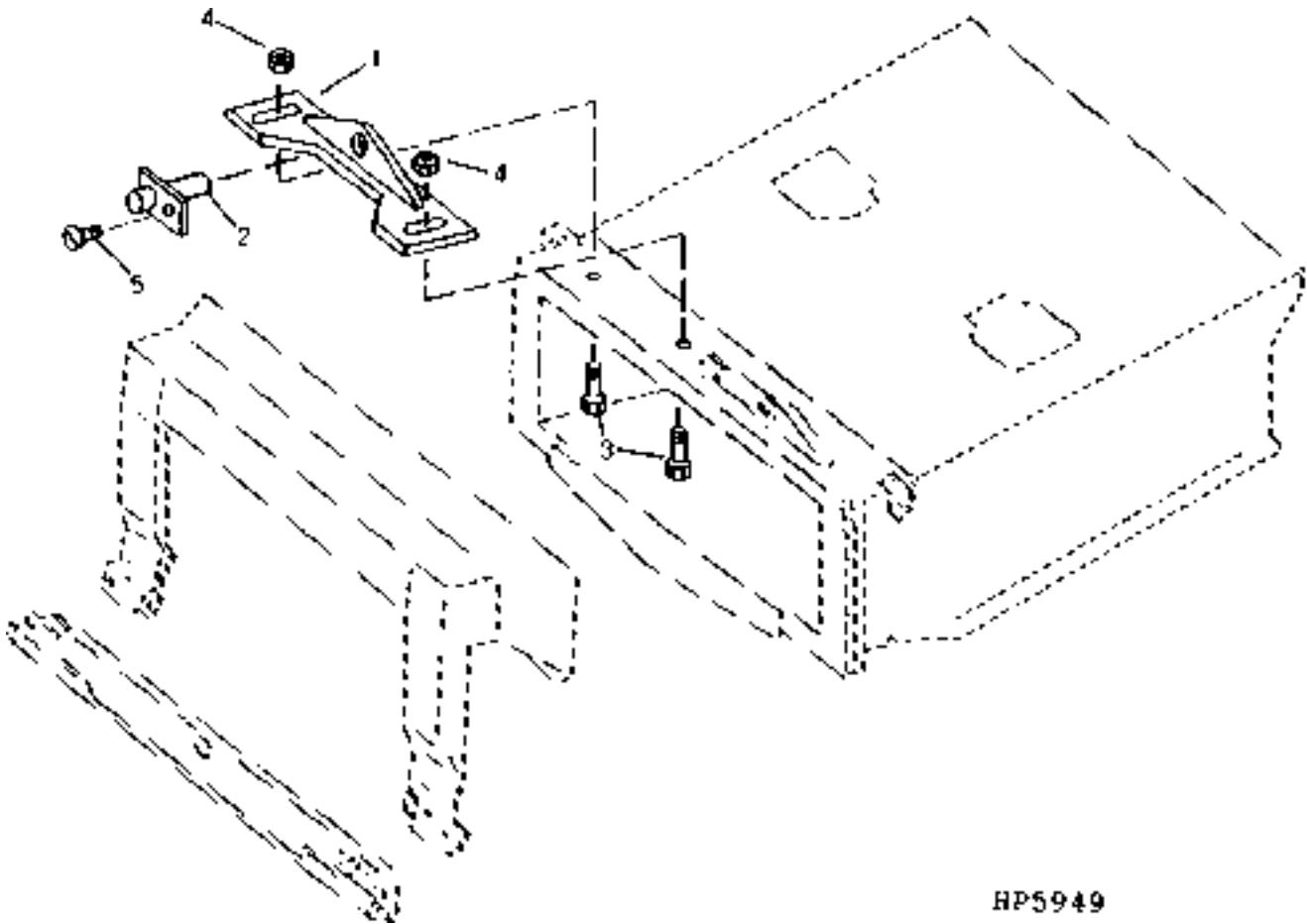
# 4G8

FEEDER HOUSE

FEEDER HOUSE FRAME, TILT BEAM AND CLOSURE PLATES - CONTOUR MASTER (GRAIN) - CONTINUED

KEY	PART NO.	PART NAME	QTY	SERIAL NO.	REMARKS
1	19M7785	SCREW	7		M10 X 25
	14M7400	LOCK NUT	7		M10
2	19M7785	SCREW	2		M10 X 25
3	19M7788	SCREW	2		M12 X 25
4	19M7820	SCREW	2		M12 X 100
5	H151607	SIGN	4		"CAUTION" HEADER TILT
6	H149518	STRAP	1		
7	H149517	PIN	1		
8	19M7921	CAP SCREW	1		M20 X 150
9	E81185	WASHER	2		13 X 55.500 X 6 MM
10	28H3395	BUSHING	2		13.868 X 21.336 X 31.750 MM
11	24H1252	WASHER	2		12.700 X 38.100 X 1.524 MM
12	14M7299	FLANGE NUT	2		M12
13	AH143361	SHIELD	1		L.H.
14	AH143362	SHIELD	1		R.H.
15	H142869	WEATHER ENCLOSURE	1		
16	AH162724	FRAME	1		(SUB FOR AH145282)
17	124424	SPRING	2		
18	H130040	PIN	2		
19	H149523	BOLT	2		
20	19M7844	SCREW	6		M16 X 45, (USE LOCTITE)
	T43514	GASKET	1		
21	19M7792	SCREW	2		M16 X 30, (USE LOCTITE)
22	AH145281	FRAME	1		
23	14M7300	FLANGE NUT	1		M20
24	H142870	BUSHING	1		
25	19M7790	SCREW	4	660401-	M12 X 35
26	H159975	BLOCK CLAMP	1		(SUB FOR H93556)
27	14M7291	FLANGE NUT	4		M16

LOCKOUT ASSEMBLY - CONTOUR MASTER (GRAIN)(OPTIONAL)  
(BELT PICK-UP PLATFORM AND 4-ROW CORN HEADS ONLY)  
(660401- )  
HP5949 -UN-02MAY95





# 4G10

FEEDER HOUSE

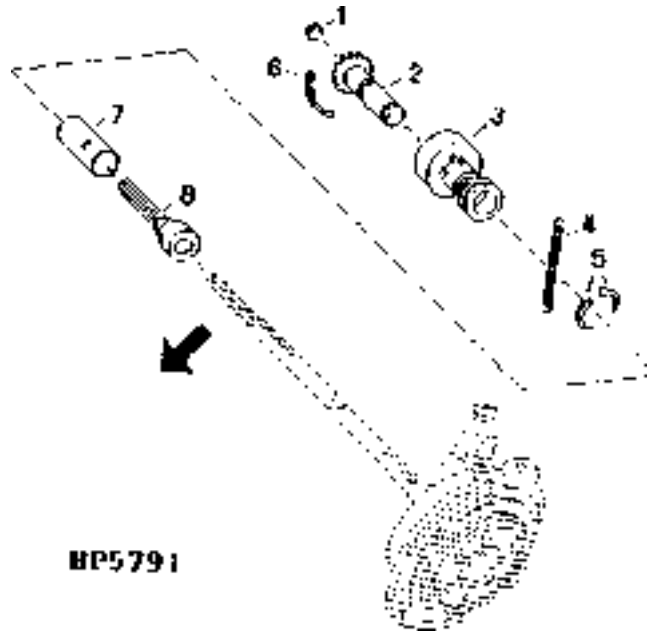
LOCKOUT ASSEMBLY - CONTOUR MASTER (GRAIN) (OPTIONAL) - CONTINUED  
(BELT PICK-UP PLATFORM AND 4-ROW CORN HEADS ONLY)  
(660401- )

KEY	PART NO.	PART NAME	QTY	SERIAL NO.	REMARKS
1	AH145762	BRACKET	1		
2	AH145763	PIN	1		
3	03M7200	BOLT	2	-660400	M12 X 40
	03M7205	BOLT	2	660401-	M16 X 40
4	14M7299	FLANGE NUT	2	-660400	M12
	14M7291	FLANGE NUT	2	660401-	M16
5	19M7924	SCREW	1		M8 X 16
..	<b>BH81360</b>	<b>COMPLETE GOODS/SHIP. BUNDLE</b>	<b>1</b>		<b>COUPLER ASSEMBLY</b>

# 4G11

FEEDER HOUSE

LOCKOUT ADAPTER KIT - CONTOUR MASTER  
 (BELT PICK-UP PLATFORM AND 4-ROW CORNHEADS ONLY)  
 (660401- )  
 HP5791 -UN-15OCT94



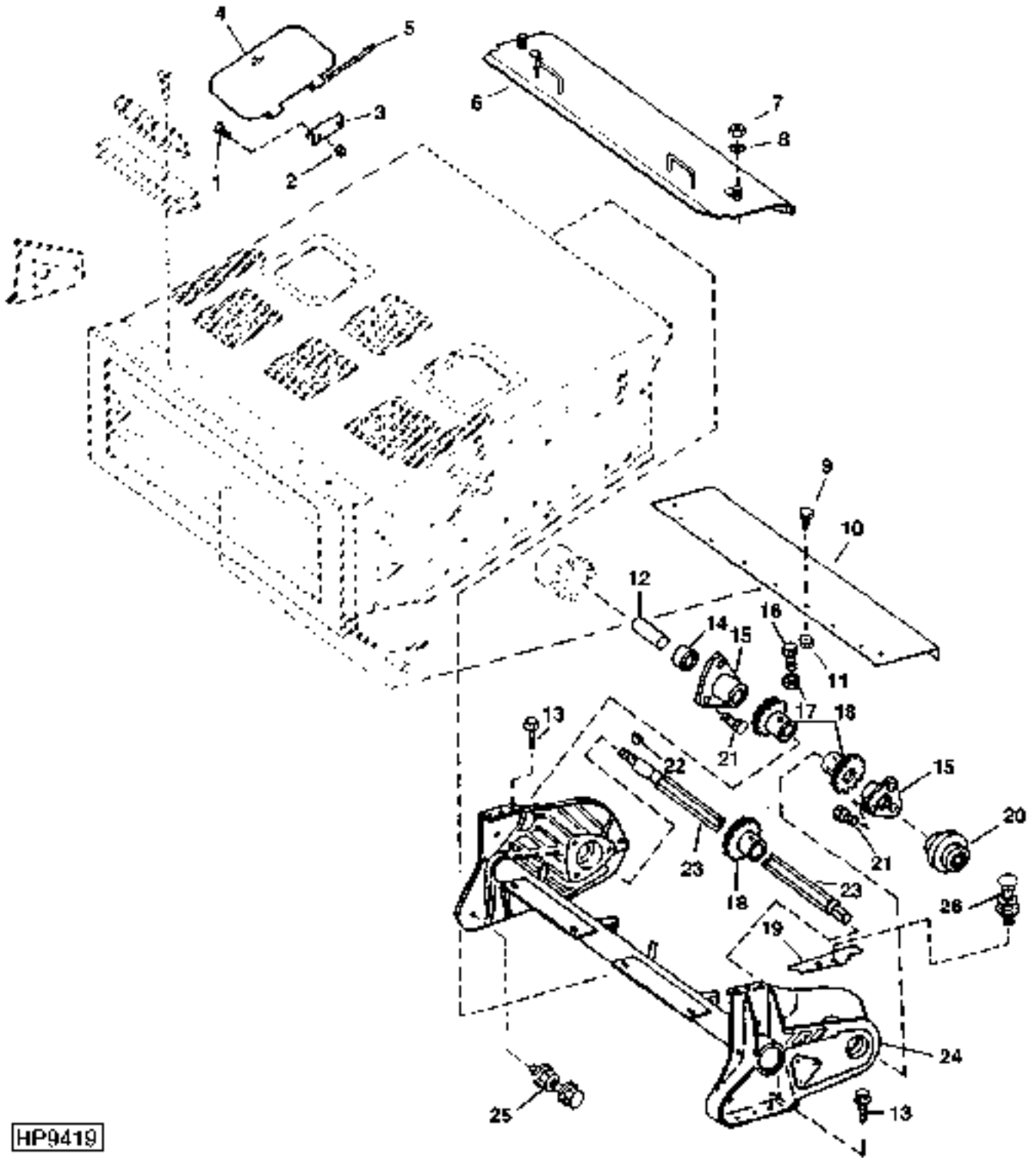
KEY	PART NO.	PART NAME	QTY	SERIAL NO.	REMARKS
1	H80926	SNAP RING	1		
2	AH143069	DRIVE SPROCKET	1		
3	H148818	QUICK COUPLER	1		
4	H128118	SPRING	1		
5	E62951	UNIVERSAL JOINT BEARING	2		
6	AN102383	LINK CHAIN	1	(13 LINKS)	
7	H127603	TUBE	1		
8	AH142560	INTERNAL HALF COUPLER	1		
..	<b>BH81360</b>	<b>COMPLETE GOODS/SHIP. BUNDLE</b>	<b>1</b>	<b>COUPLER ASSEMBLY</b>	

MEMORANDA

# 4G12

FEEDER HOUSE

FEEDER HOUSE FRAME AND UPPER SHAFT  
HP9419 -UN-09DEC99



HP9419

# 4G13

FEEDER HOUSE

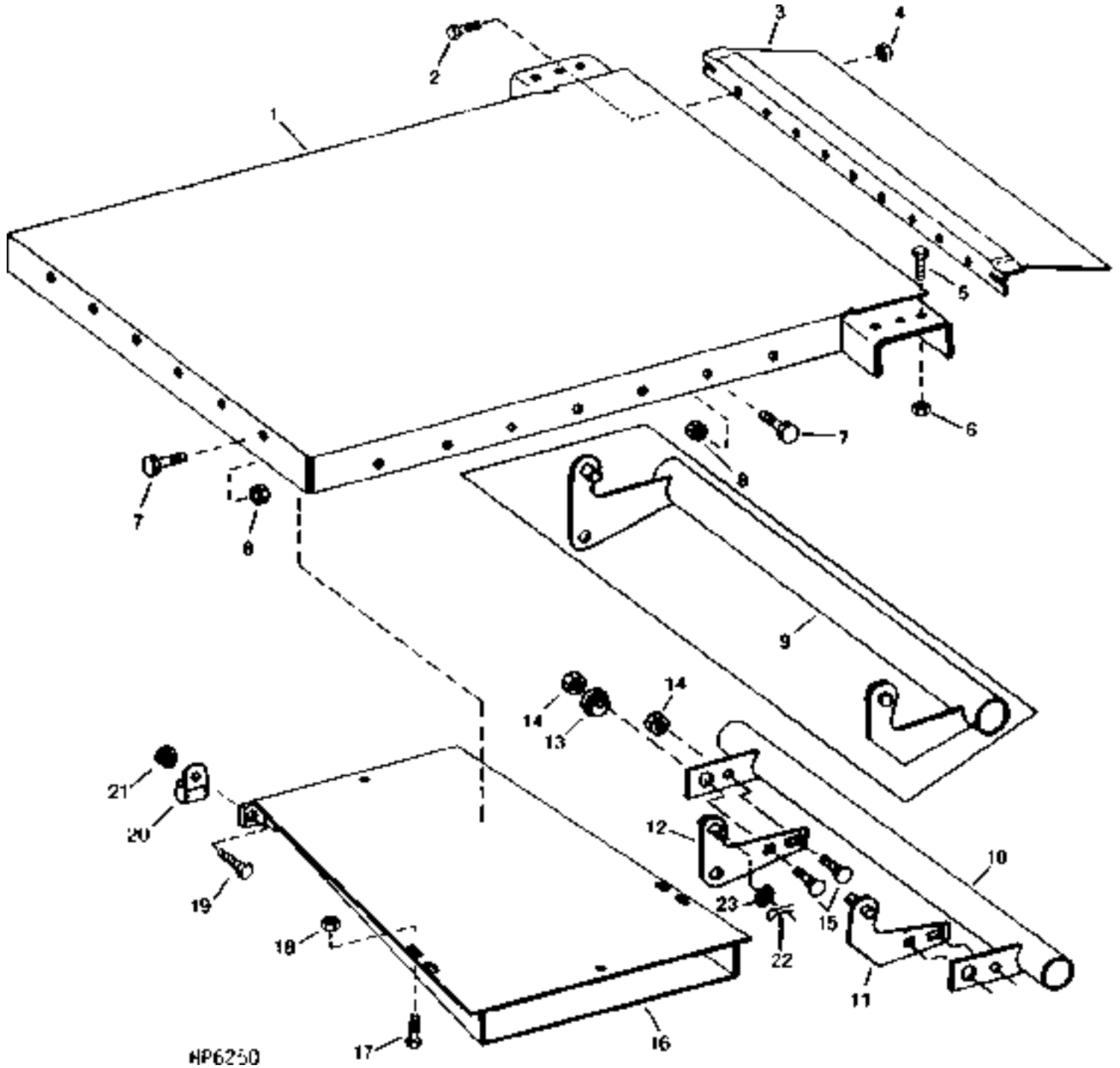
## FEEDER HOUSE FRAME AND UPPER SHAFT - CONTINUED

KEY	PART NO.	PART NAME	QTY	SERIAL NO.	REMARKS
1	03M7183	BOLT	4	M8 X 16	
2	14M7298	FLANGE NUT	4	M8	
3	H133989	HINGE	2		
4	H152062	DOOR	2	(SUB FOR H133990)	
5	.....	DOWEL PIN	2	MAKE FROM H76083, CUT TO 6.88" IN LENGTH	
6	AH126417	DOOR	1		
7	14M7401	LOCK NUT	2	M12	
8	24M7047	WASHER	2	13 X 24 X 2.500 MM	
9	03M7184	BOLT	7	M8 X 20	
10	H144052	WEAR PLATE	1		
	H143456	WEAR PLATE	1	HIGH CLEARANCE	
11	14M7298	FLANGE NUT	7	M8	
12	H143354	SPACER	1		
13	19M7597	CAP SCREW	12	M20 X 50	
	24M7242	WASHER	12		
14	JD10020	BALL BEARING	1		
15	H147593	HOUSING	2	(SUB FOR H143351)	
16	H118776	SET SCREW	6		
17	14H732	NUT	6		
18	H118583	CHAIN SPROCKET	3		
19	H147482	BRACKET	2	(SUB FOR H149883)	
20	JD9373	BALL BEARING	1	FIXED SPEED	
21	19M7788	SCREW	6	M12 X 25	
22	26H103	SHAFT KEY	1		
23	H151566	SHAFT	1	(SUB FOR H143353)	
24	AH141399	TUBE	1		
25	19M7785	SCREW	6	M10 X 25	
	14M7296	FLANGE NUT	6	M10	
26	03M7191	BOLT	4	M10 X 25	
	14M7296	FLANGE NUT	4	M10	

# 4G14

FEEDER HOUSE

FEEDER HOUSE FLOOR  
HP6250 -UN-12JAN96



# 4G15

FEEDER HOUSE

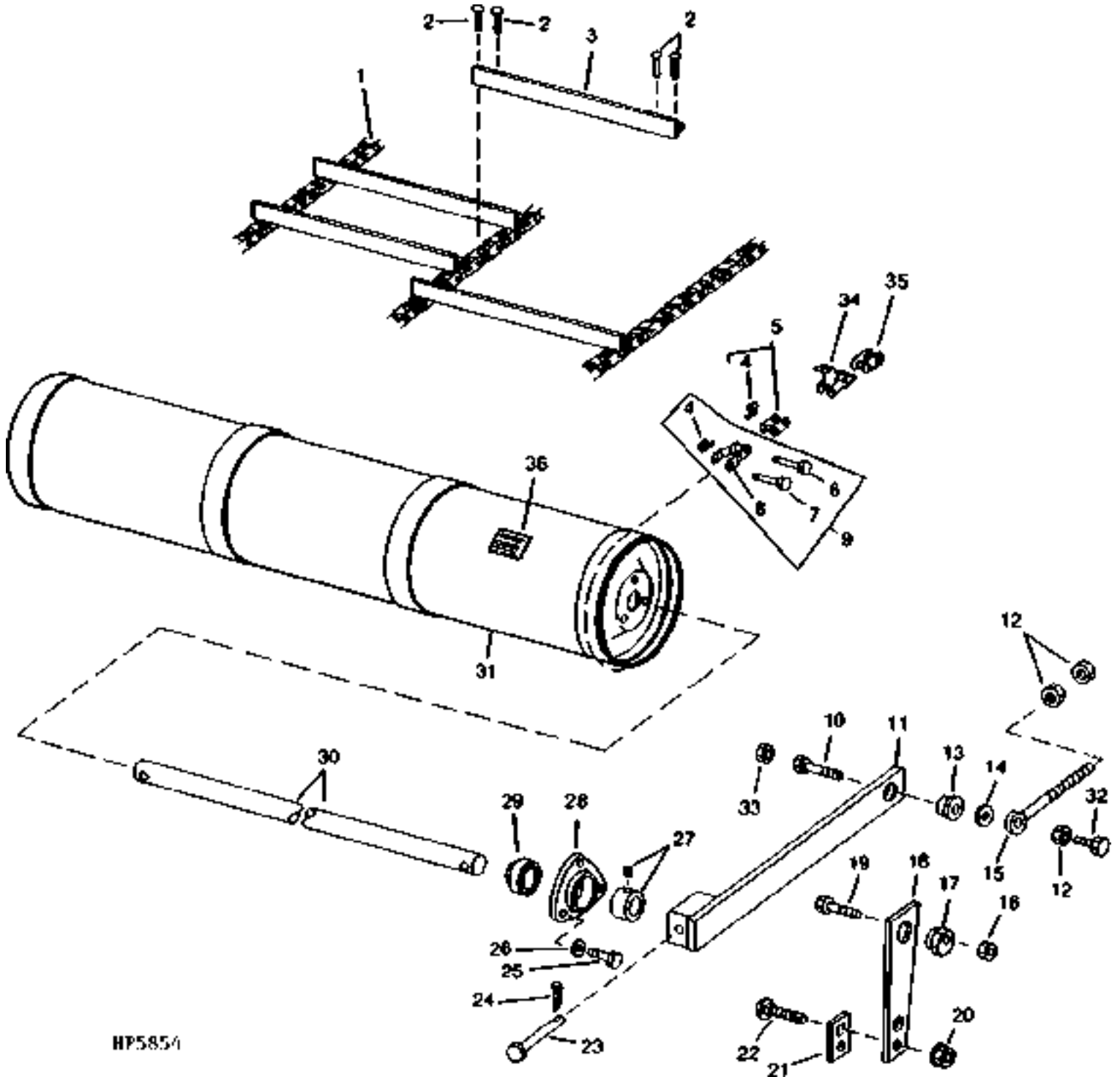
FEEDER HOUSE FLOOR - CONTINUED

KEY	PART NO.	PART NAME	QTY	SERIAL NO.	REMARKS
1	AH137733	FLOOR	1		(SUB AH159703)
	AH159703	FLOOR	1		
2	03M7190	BOLT	8		M10 X 20
3	H131452	SEAL	1		
4	14M7296	FLANGE NUT	8		M10
5	19M7895	SCREW	6		M20 X 50
6	19M7300	CAP SCREW	6		M6 X 10
7	19M7789	SCREW	20		M12 X 30
8	14M7299	FLANGE NUT	20		M12
9	AH140113	SUPPORT	1	-650400	
10	AH141780	SUPPORT	1	650401-	
11	AH141782	ARM	1	650401-	
12	AH141781	ARM	1	650401-	
13	H97322	CAM	2	650401-	
14	14M7299	FLANGE NUT	4	650401-	M12
15	19M7790	SCREW	4	650401-	M12 X 35
16	AH131303	PAN	1		
17	19M7865	SCREW	2		M8 X 16
18	14M7298	FLANGE NUT	2		M8
19	19M7784	SCREW	2		M10 X 20
20	AH89557	CLIP	1		
21	14M7296	FLANGE NUT	2		M10
22	11M7028	COTTER PIN	2		5 X 32 MM
23	24M7053	WASHER	2		17 X 30 X 3 MM

# 4G16

FEEDER HOUSE

FEEDER CONVEYOR IDLER SHAFT, DRUM AND CHAIN  
HP5854 -UN-14OCT94



HP5854



# 4G17

FEEDER HOUSE

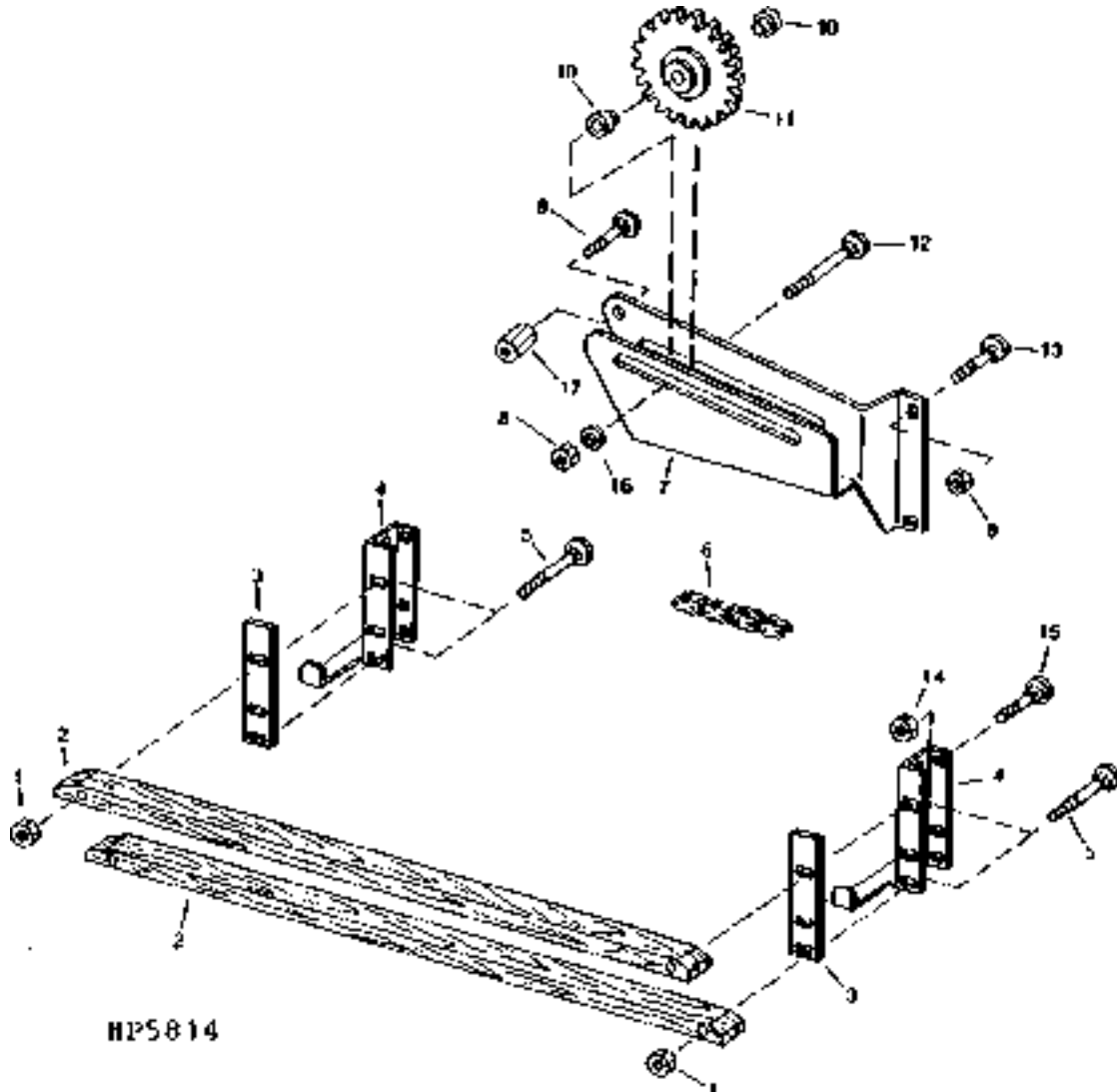
## FEEDER CONVEYOR IDLER SHAFT, DRUM AND CHAIN - CONTINUED

KEY	PART NO.	PART NAME	QTY	SERIAL NO.	REMARKS
1	AH137845	CONVEYOR	1		NARROW SPACED ( 49 SLATS)
	AH138187	CONVEYOR	1		WIDE SPACED (34 SLATS)
2	16H1083	RIVET	196		5/16" X 5/8", (CONNECTING LINK TO SLAT)
3	H134002	SLAT	49		
4	H84026	HOOK	6		
5	AH137630	CHAIN LINK	5		
6	.....	PIN	3		(SUB AH137631)
7	.....	PIN	3		(SUB AH137631)
8	.....	CHAIN LINK	3		(SUB AH137631)
9	AH137631	CHAIN LINK	3		REPAIR KIT
10	19M7825	SCREW	2		M16 X 65
11	AH126091	ARM	2		
12	14M7291	FLANGE NUT	6		M16
13	H131087	BUSHING	1		
14	24H1368	WASHER	1		21/32" X 1-5/16" X 0.090"
15	H131088	EYEBOLT	1		
16	14M7275	NUT	1		M12
17	H97322	CAM	1		
18	H84942	PLATE	1		
19	03M7202	BOLT	1		M12 X 50
20	14M7299	FLANGE NUT	1		M12
21	H144201	ADJUSTING STRAP	2		
22	H154331	BOLT	1		(SUB FOR H131090)
23	45M7040	PIN	1		10 X 60 MM
24	11M7059	COTTER PIN	1		3.200 X 20 MM
25	19M7790	SCREW	6		M12 X 35
26	12H304	LOCK WASHER	6		3/8"
27	JD8551	ECCENTRIC LOCKING COLLAR	2		
28	H138753	HOUSING	2		
29	JD8552	BALL BEARING	2		
30	H123734	SHAFT	1		
31	AH142394	DRUM	1		(SUB FOR AH133494)
32	19M7399	CAP SCREW	2		M16 X 85
33	W39621	NUT	2		
34	AH137632	CHAIN LINK	1		
	H84026	HOOK	1		
35	C10232	LINK	1		
36	H150528	LABEL	1	655401-	"IMPORTANT" (S-PIN LOCATION)

# 4G18

FEEDER HOUSE

FEEDER CONVEYOR DRIVE CHAIN, TIGHTENER AND GUIDES  
HP5814 -UN-01JAN94



HP5814

# 4G19

FEEDER HOUSE

## FEEDER CONVEYOR DRIVE CHAIN, TIGHTENER AND GUIDES - CONTINUED

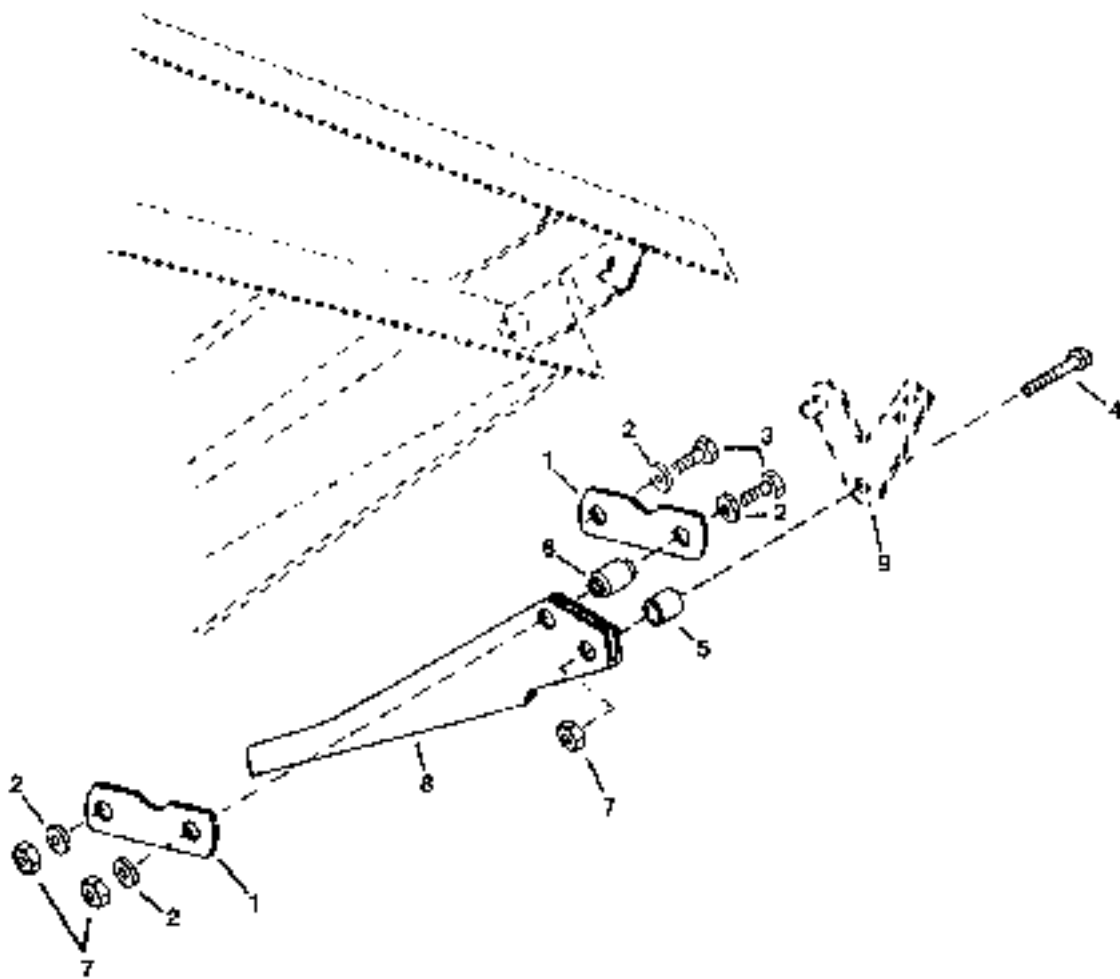
KEY	PART NO.	PART NAME	QTY	SERIAL NO.	REMARKS
1	14M7400	LOCK NUT	4		
2	H130530	GUIDE	2		
3	H134735	PLATE	2		
4	H134734	BRACKET	2		
5	03M7233	BOLT	4	M10 X 70	
6	AH118228	LINK CHAIN	1		ROLLER, TYPE 60, 19 MM (3/4") 223 LINKS
7	H141500	BRACKET	1		
8	14M7299	FLANGE NUT	3	M12	
9	19M7785	SCREW	1	M10 X 25	
10	H130529	SPACER	2		
11	AE27909	CHAIN SPROCKET	1		
12	03M7226	BOLT	1	M12 X 70	
13	03M7198	BOLT	1	M12 X 30	
14	14M7296	FLANGE NUT	4	M10	
15	03M7190	BOLT	4	M10 X 20	
16	24H1226	WASHER	1		1/2" X 1-1/4" X 0.083"
17	H143489	BUSHING	1		

# 4G20

FEEDER HOUSE

## FEED PLATE LATCH HANDLE

HP6514 -UN-15JUL96



HP6514

# 4G21

FEEDER HOUSE

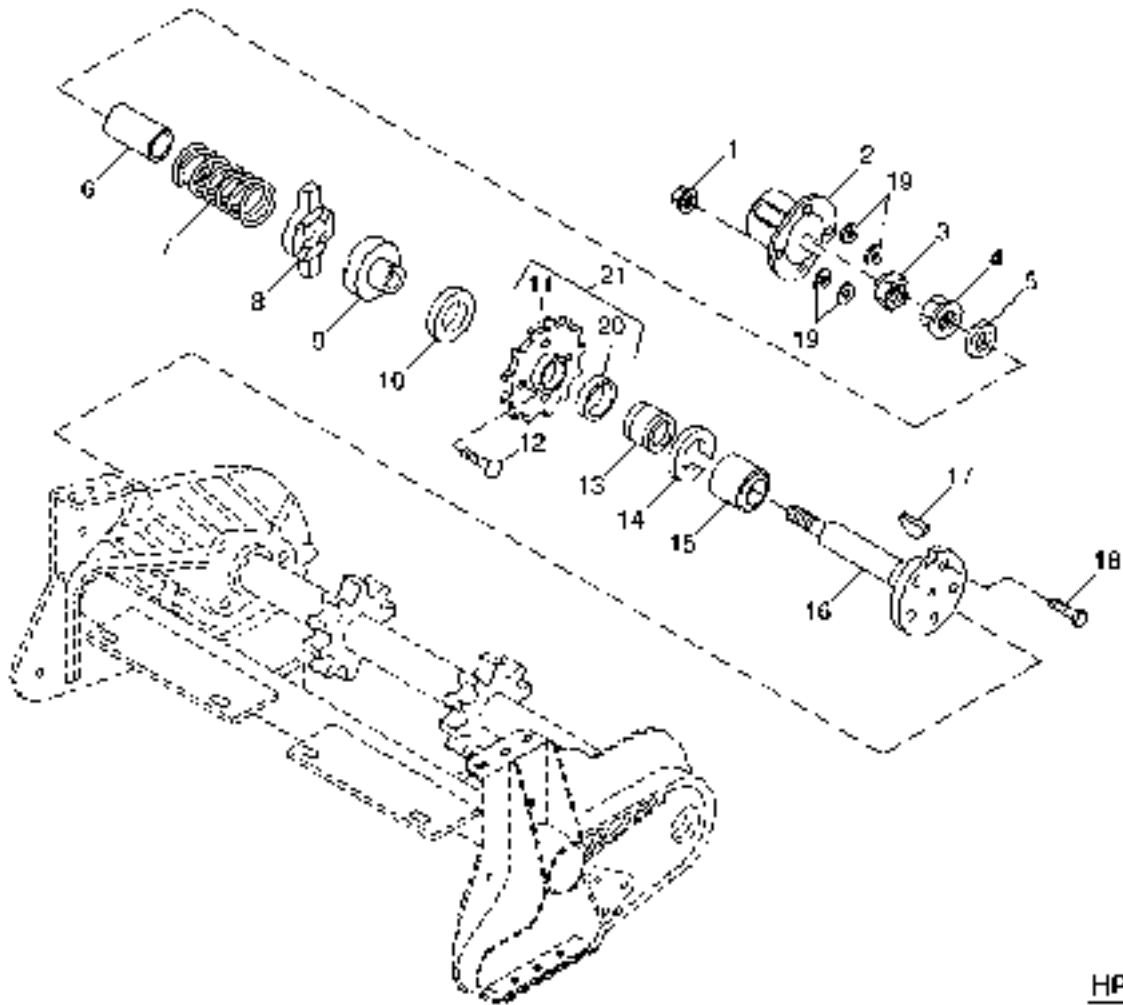
## FEED PLATE LATCH HANDLE - CONTINUED

KEY	PART NO.	PART NAME	QTY	SERIAL NO.	REMARKS
1	H136144	ADJUSTING STRAP	2		
2	24M7207	WASHER	4	8.400 X 24 X 2 MM	
3	19M8318	SCREW	2	M8 X 45	
4	19M8291	SCREW	1	M8 X 35	
5	H133060	SLEEVE	1		
6	H132988	BUSHING	1	(SUB FOR H135476)	
7	14M7396	LOCK NUT	3	M8	
8	H132986	HANDLE	1		
9	.....	ARM	1		IDENTIFIED WITH FEEDER HOUSE FLOOR

# 4G22

FEEDER HOUSE

FEEDER HOUSE SLIP CLUTCH  
HP8925 -UN-25AUG99



HP8925

# 4G23

FEEDER HOUSE

**FEEDER HOUSE SLIP CLUTCH - CONTINUED**

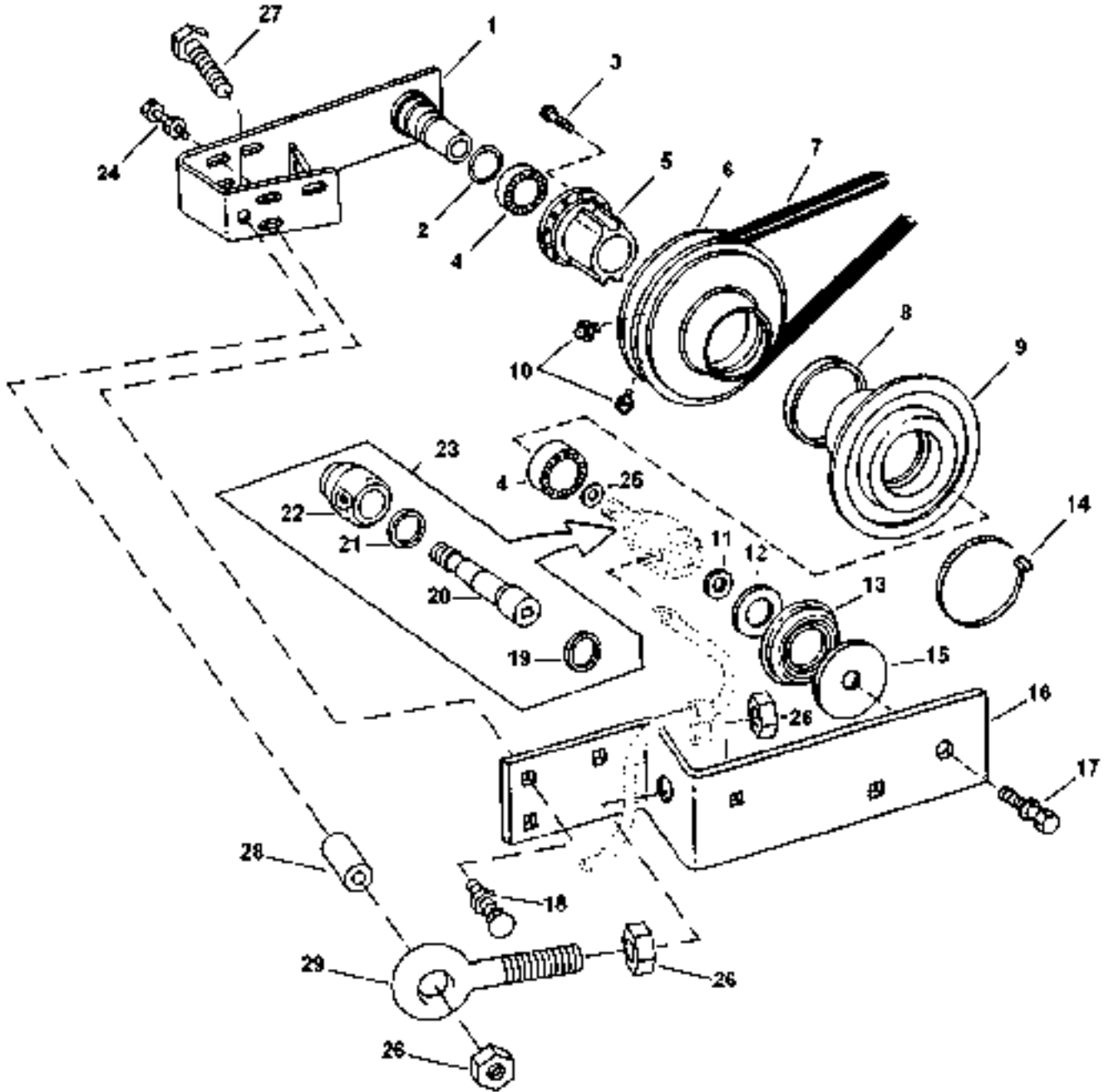
KEY	PART NO.	PART NAME	QTY	SERIAL NO.	REMARKS
1	14M7299	FLANGE NUT	4		
2	H119710	PLANET PINION CARRIER	1		M12
3	A31871	LOCK NUT	1		M24
4	14M7300	FLANGE NUT	1		M20
5	24M7242	WASHER	1		21.400 X 42 X 5 MM
6	H129659	SPACER	1		
7	H109855	SPRING	1		
8	H101677	JAW	1		
9	H105590	HUB	1		
10	H99303	WASHER	1		
11	H119709	CHAIN SPROCKET	1		
12	03M7200	BOLT	4		
13	H130571	SPACER	1		
14	40M7090	SNAP RING	1		
15	AH109788	ROLLER BEARING	1		
16	H129681	SHAFT	1		
17	26H103	SHAFT KEY	1		
18	19M7938	CAP SCREW	3		M10 X 20
19	24H1341	WASHER	4		17/32" X 15/16" X 0.060"
20	H105584	BUSHING	1		
21	AH116232	CHAIN SPROCKET	1		

# 4G24

FEEDER HOUSE

## VARIABLE DRIVE UPPER COUNTERSHAFT, SHEAVES AND SUPPORTS

HP7389 -UN-24JAN98



HP7389



# 4G25

FEEDER HOUSE

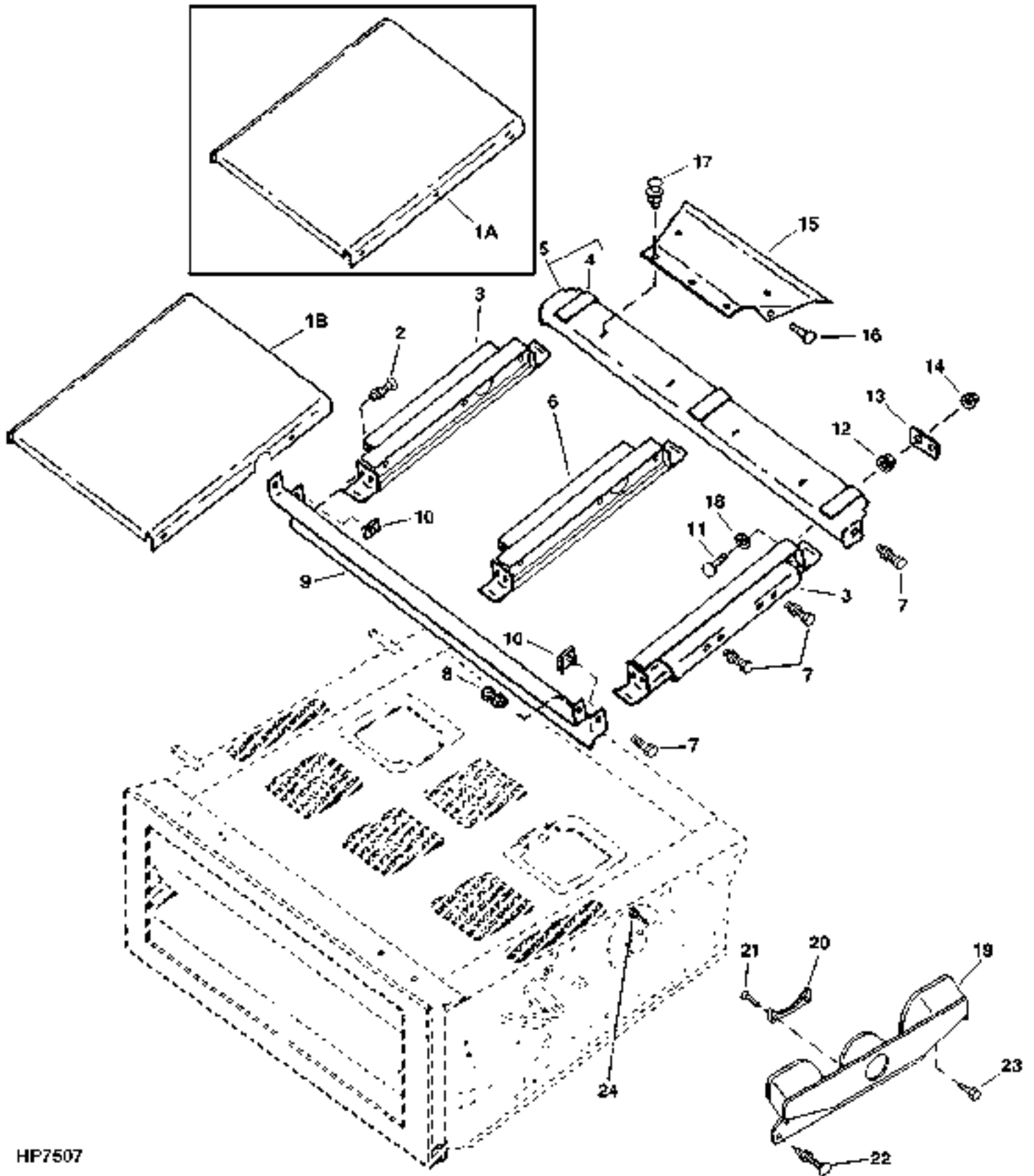
## VARIABLE DRIVE UPPER COUNTERSHAFT, SHEAVES AND SUPPORTS - CONTINUED

KEY	PART NO.	PART NAME	QTY	SERIAL NO.	REMARKS
1	AH120972	SUPPORT	1		
2	R31378	O-RING	1		
3	19M7868	SCREW	6	M8 X 30	
4	JD10018	BEARING	2		
5	H97378	HUB	1	INNER	
6	AH157934	SHEAVE	1	360 MM (14-15/64") DIA. (SUB FOR H125489)	
7	H140160	BELT	1		
8	AH136497	SEAL	1		
9	H125490	SHEAVE	1	318 MM (12-35/64") DIA.	
10	JD7759	LUBRICATION FITTING	2	STRAIGHT, 1/8"	
11	24H1342	WASHER	AR	17/32" X 1-1/4" X 0.036", STRAIGHT, 1/4"	
12	H101448	WASHER	AR	(SPECIAL)	
13	H93084	BOOT	1		
14	H77698	TIE BAND	1	SELF-LOCKING	
15	H98409	WASHER	1		
16	H134087	STRAP	1		
17	19H1777	CAP SCREW	1	1/2" X 1-3/4"	
	12H301	LOCK WASHER	1	1/2"	
18	03M7192	BOLT	3	M10 X 30	
	14M7296	FLANGE NUT	3	M10	
19	H100247	SEAL	1		
20	H100244	PISTON	1		
21	H100246	SEAL	1		
22	H100245	HYDRAULIC CYLINDER BARREL	1		
23	AH96091	CYLINDER	1		
24	19M7790	SCREW	3	M12 X 35	
	14M7299	FLANGE NUT	3	M12	
25	24H1452	WASHER	1	1-1/32" X 1-3/4" X 0.105"	
26	14M7277	NUT	3	5JAN98- M20	
27	19M7892	CAP SCREW	1	5JAN98- M20 X 80	
28	H162288	BUSHING	1	5JAN98-	
29	H162269	EYEBOLT	1	5JAN98-	
..	<b>BH81390</b>	<b>COMPLETE GOODS/SHIP. BUNDLE</b>	1		<b>RETROFIT - NARROW FEEDER HOUSE</b>
..	<b>BH81446</b>	<b>COMPLETE GOODS/SHIP. BUNDLE</b>	1		<b>RETROFIT - NARROW FEEDER HOUSE, CONTOUR MASTER</b>

# 4H1

FEEDER HOUSE

FEEDER HOUSE RETURN FLOOR  
HP7507 -UN-06APR98



HP7507

# 4H2

FEEDER HOUSE

FEEDER HOUSE RETURN FLOOR - CONTINUED

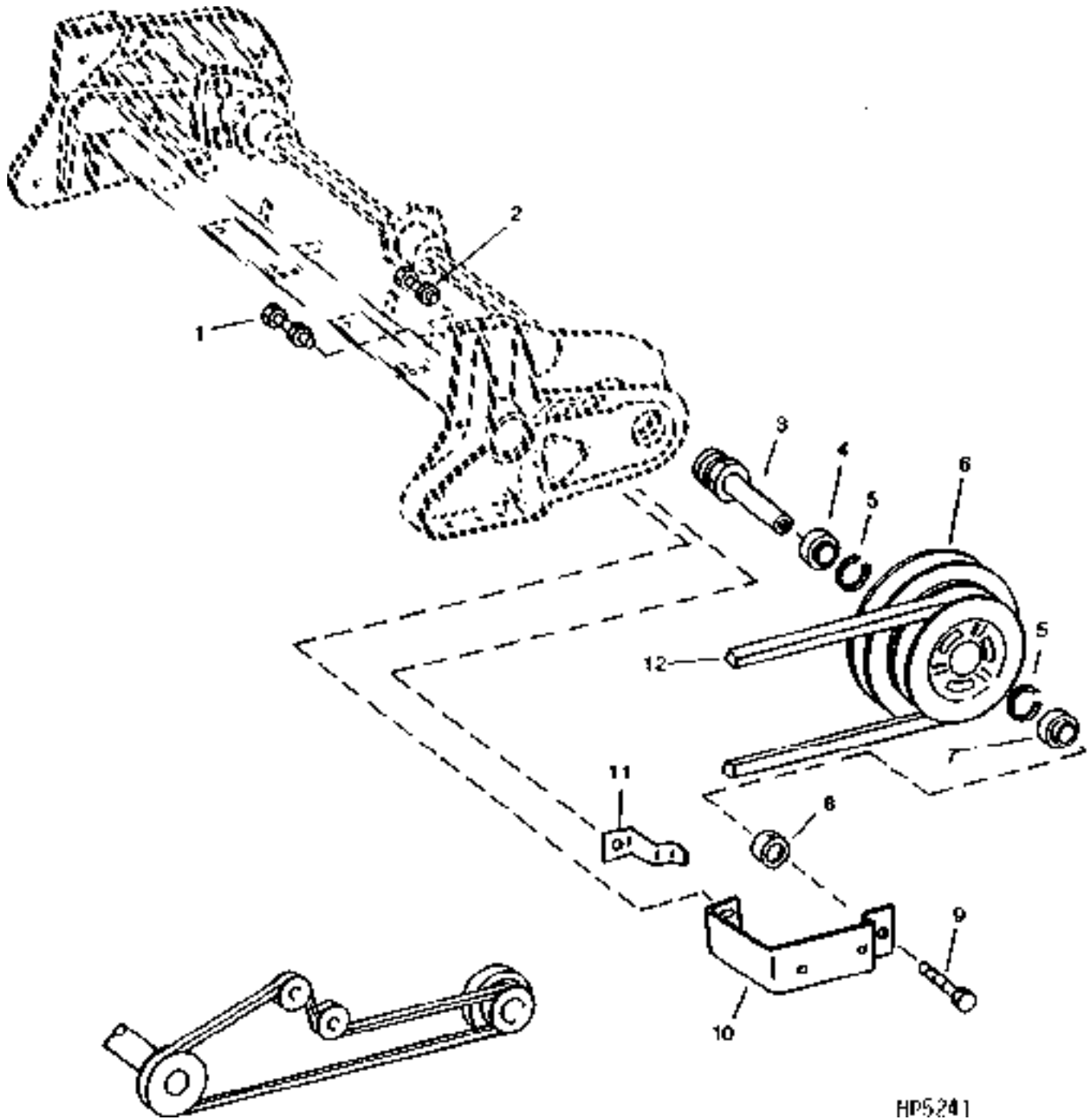
KEY	PART NO.	PART NAME	QTY	SERIAL NO.	REMARKS
1	H143376	FLOOR	2		
	AH155650	FLOOR	1	5JAN98-	
2	03M7190	BOLT	12		M10 X 20
	14M7296	FLANGE NUT	12		M10
3	AH139243	RUNNER	2		OUTSIDE RUNNER
4	H145462	ANGLE	3	-650400	
	H148187	ANGLE	3	650401-	
5	AH139423	SUPPORT	1	-650400	(SUB AH141861 AND H148187)
	AH141861	SUPPORT	1		
6	AH157942	RUNNER	3		(SUB FOR AH139242) INSIDE RUNNER
7	19M7785	SCREW	8		M10 X 25
	14M7296	FLANGE NUT	4		M10
8	03M7191	BOLT	2		M10 X 25
	14M7296	FLANGE NUT	2		M10
9	H143358	CHANNEL	1		
10	H146457	NUT	2		
11	03M7194	BOLT	6		M10 X 40
12	14M7296	FLANGE NUT	8		M10
13	H150458	STRAP	6	655401-	
14	14M7400	LOCK NUT	8		M10
15	H145464	STRIPPER	3		
16	19M7785	SCREW	6		M10 X 25
17	03M7191	BOLT	6		M10 X 25
	14M7296	FLANGE NUT	6		M10
18	24M7028	WASHER	6		10.500 X 20 X 2 MM
19	AH159053	SCOOP	1		L.H.
	AH159054	SCOOP	1		R.H.
20	H164391	STRIPPER	2		
21	H165318	SCREW	2		
22	03M7197	BOLT	4		M12 X 25
23	03M7198	BOLT	2		
24	H165317	SCREW	4		
..	<b>BH81390</b>	<b>COMPLETE GOODS/SHIP. BUNDLE</b>	1		<b>RETROFIT - NARROW FEEDER HOUSE</b>
..	<b>BH81446</b>	<b>COMPLETE GOODS/SHIP. BUNDLE</b>	1		<b>RETROFIT - NARROW FEEDER HOUSE, CONTOUR MASTER</b>
..	<b>BH81482</b>	<b>COMPLETE GOODS/SHIP. BUNDLE</b>	1		<b>RETROFIT - NARROW FEEDER HOUSE</b>

# 4H3

FEEDER HOUSE

## UPPER DRIVE SHAFT, SHEAVE AND MOUNTINGS (FIXED SPEED WITH REVERSER)

HP5241 -UN-01JAN94



HP5241

# 4H4

FEEDER HOUSE

**UPPER DRIVE SHAFT, SHEAVE AND MOUNTINGS - CONTINUED  
(FIXED SPEED WITH REVERSER)**

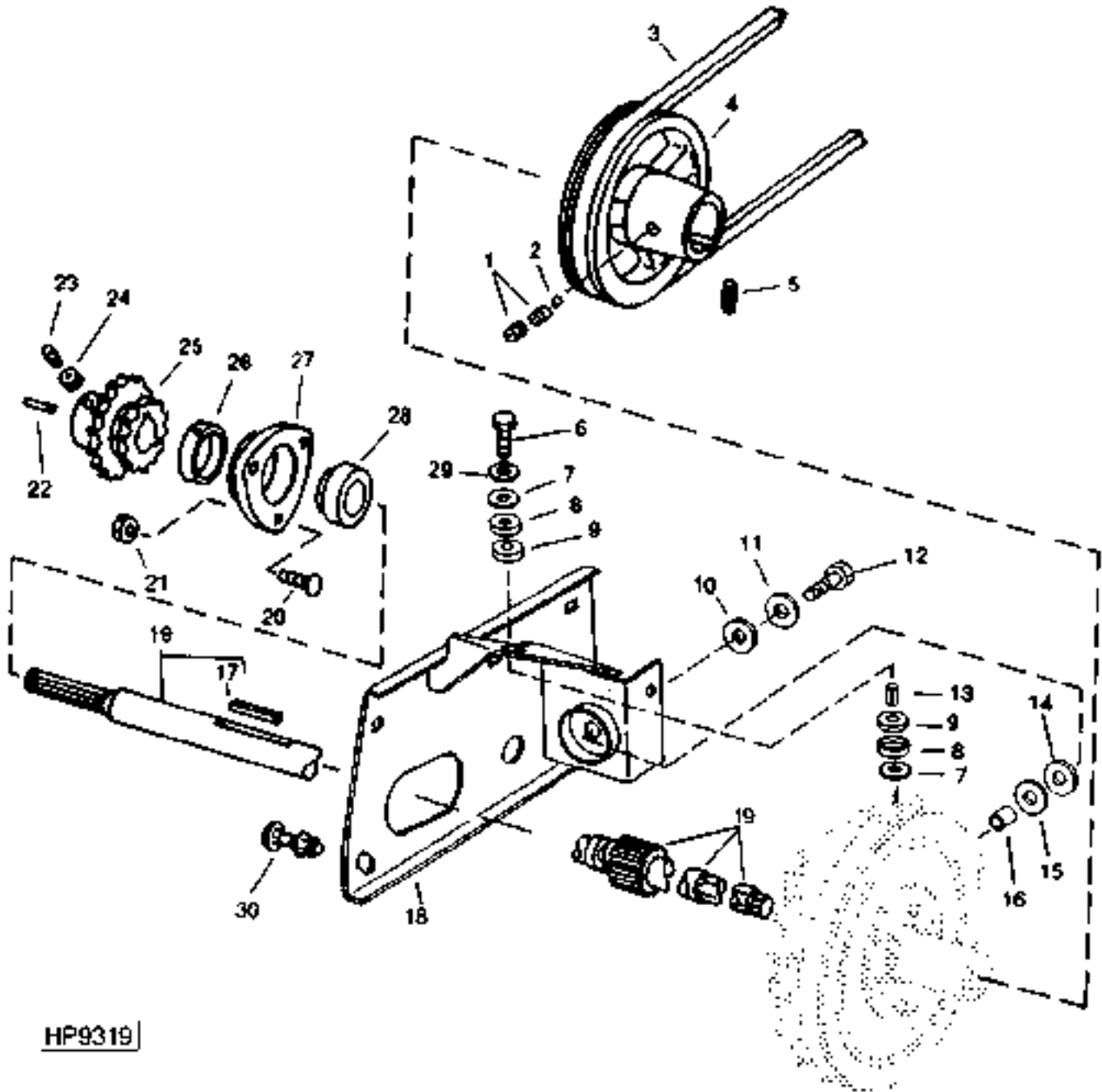
KEY	PART NO.	PART NAME	QTY	SERIAL NO.	REMARKS
1	19M7790	SCREW	1	M12 X 35	
	14M7299	FLANGE NUT	1	M12	
2	19M7789	SCREW	1	M12 X 30	
	14M7299	FLANGE NUT	1	M12	
3	AH125454	SHAFT	1		
4	JD9301	BALL BEARING	1		
5	P46874	SNAP RING	1		
6	H126261	SHEAVE	1		
7	JD9356	BALL BEARING	1		
8	JD8576	ECCENTRIC LOCKING COLLAR	1		
9	19M7790	SCREW	1	M12 X 35	
10	H134088	STRAP	1		
11	H126302	SCRAPER	1		
12	H126345	BELT	1		

# 4H5

FEEDER HOUSE

## FRONT DRIVE SHAFT, SHEAVE AND MOUNTINGS (FIXED SPEED WITH REVERSER)

HP9319 -UN-18NOV99



HP9319

# 4H6

FEEDER HOUSE

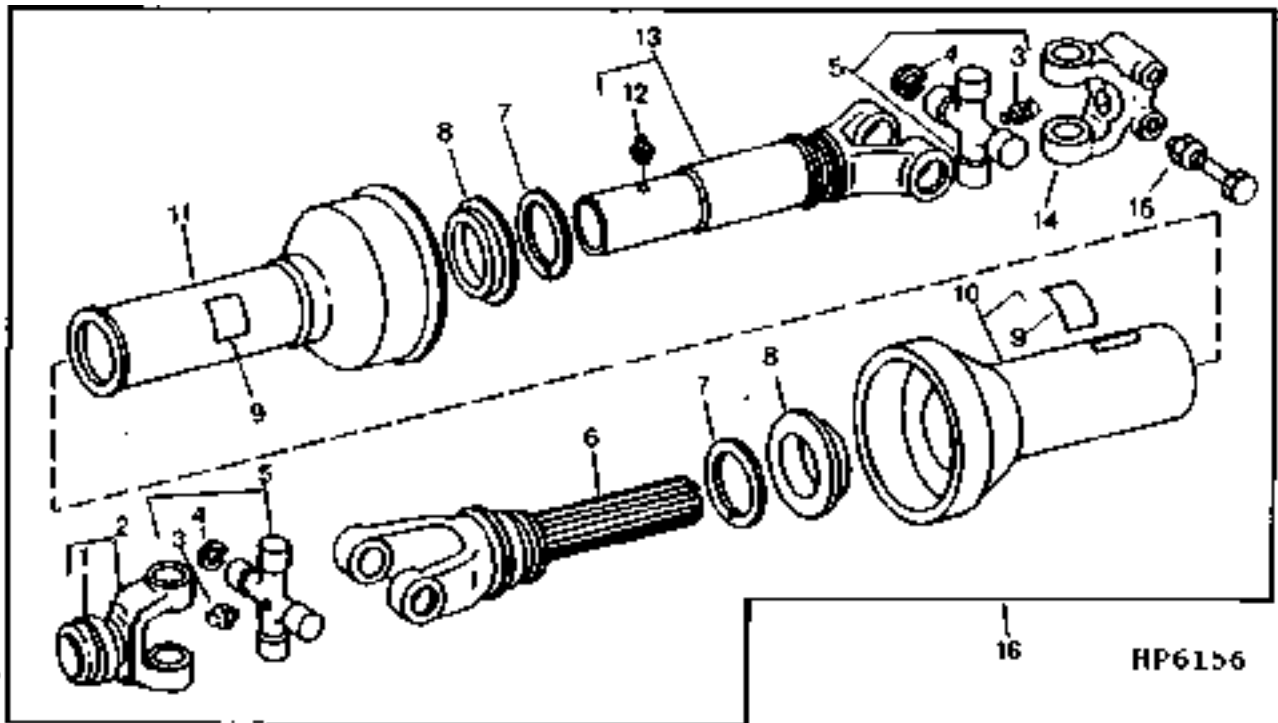
**FRONT DRIVE SHAFT, SHEAVE AND MOUNTINGS - CONTINUED  
(FIXED SPEED WITH REVERSER)**

KEY	PART NO.	PART NAME	QTY	SERIAL NO.	REMARKS
1	22H775	SET SCREW	2		5/16" X 1/4"
2	H110922	BALL	1		
3	H126345	BELT	1		
4	H108889	SHEAVE	1		
5	34H305	SPRING PIN	1		
6	19H1863	CAP SCREW	1		5/8" X 3"
7	P50456	WASHER	2		
8	H148132	BUSHING	2		(SUB FOR H80197)
9	H148133	RETAINER	2		(SUB FOR H78856)
10	T55761	SUPPORT	1		
11	R20136	WASHER	1		
12	19H1950	CAP SCREW	1		5/8" X 3-3/4"
13	H148134	SPACER	1		(SUB FOR H85482)
14	R62502	SUPPORT	1		
15	H97410	WASHER	1		
16	H95417	SPACER	1		
17	.....	KEY	1		
18	AH144099	SUPPORT	1		(SUB FOR AH139919)
19	AH97642	SHAFT	1		
	AH136873	SHAFT	1	660401-31JA00	CONTOUR MASTER
	AH152937	SHAFT	1		CONTOUR MASTER (USE WITH AH149349 (DRIVE SPROCKET) AND H170634 (TONE WHEEL))
20	03M7192	BOLT	3		M10 X 30
21	14M7296	FLANGE NUT	3		
22	M73000	SHAFT KEY	1		
23	H138435	SET SCREW	2		M10 X 25
24	14M7274	NUT	2		M10
25	AH125782	CHAIN SPROCKET	1		
	AH149349	DRIVE SPROCKET	1		USE WITH AH153341 (GEARBOX) AND H170634 (TONE WHEEL)
26	JD9201	ECCENTRIC LOCKING COLLAR	1		
27	H93927	HOUSING	1		
28	JD9202	BALL BEARING	1		
29	24M7241	WASHER	5		17 X 34 X 4 MM
30	03M7191	BOLT	5		M10 X 25
	14M7296	FLANGE NUT	5		M10

# 4H7

FEEDER HOUSE

CONTOUR MASTER DRIVESHAFT  
(FOR ALL HEADERS EXCEPT 444 CORNHEAD, 914 BPU)  
(660401- )  
HP6156 -UN-01SEP95





# 4H8

FEEDER HOUSE

**CONTOUR MASTER DRIVESHAFT - CONTINUED**  
**(FOR ALL HEADERS EXCEPT 444 CORNHEAD, 914 BPU)**  
**(660401- )**

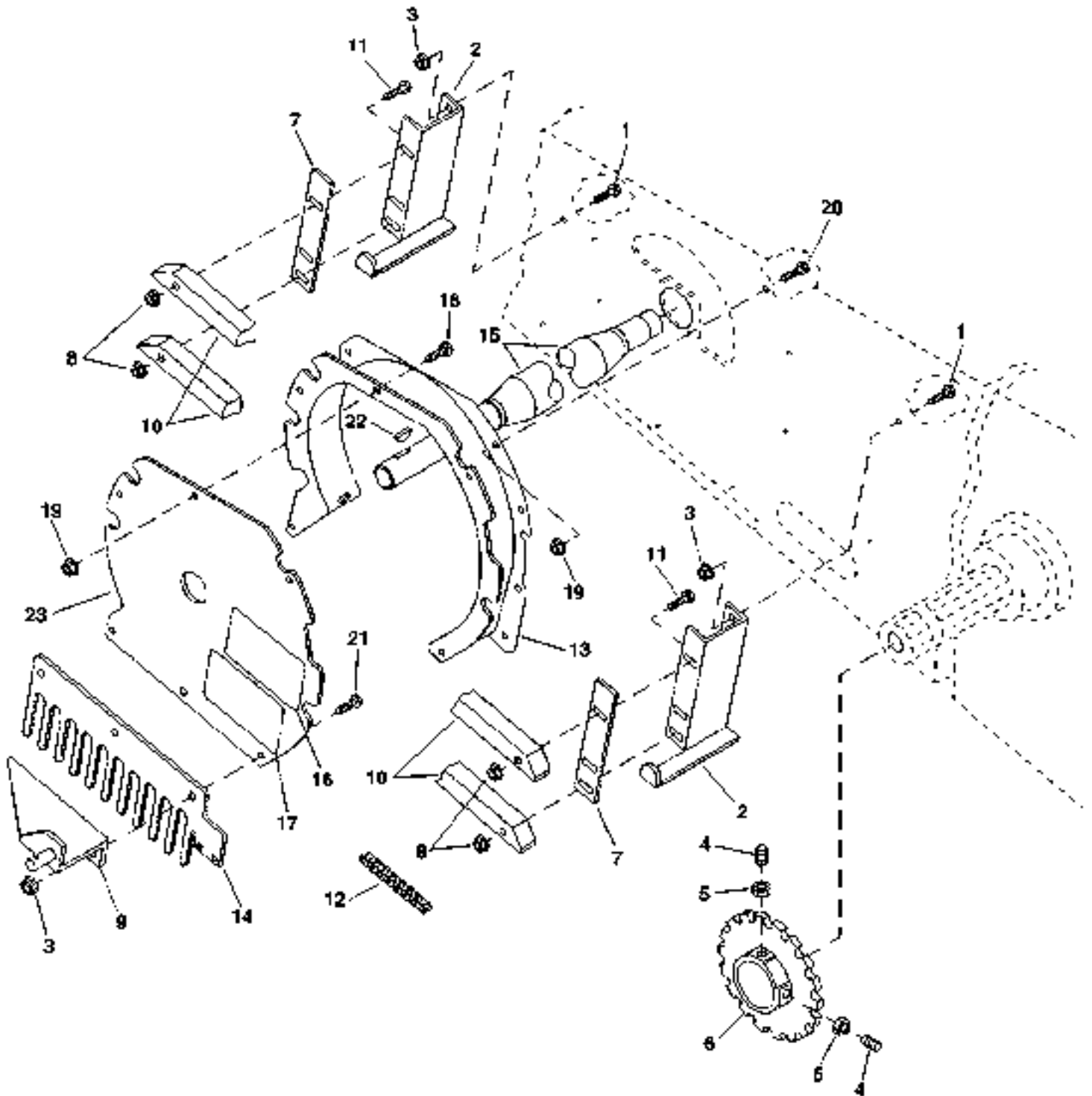
KEY	PART NO.	PART NAME	QTY	SERIAL NO.	REMARKS
1	AE49773	KIT	1		SLIDE LOCK
2	AH144523	UNIVERSAL JOINT YOKE	1		
3	JD7760	LUBRICATION FITTING	2		65° X 21.336 MM LONG (0.840" LONG)
4	BP12946	SNAP RING	4		
5	AE23516	CROSS AND BEARING ASSEMBLY	2		
6	AH145203	YOKE, WITH SHAFT	1		
7	AH143512	KIT	2		NYLON BEARING
8	.....	BEARING	1		(SUB AH143512)
9	.....	DECAL	2		(SUB E82514) "DANGER"
10	AH154742	POWERSHAFT SHIELD	1		OUTER
11	AH154740	PTO POWR-GARD SHIELD	1		INNER
12	JD7842	LUBRICATION FITTING	1		
13	AH145205	YOKE, WITH TUBE	1		
14	AH141248	UNIVERSAL JOINT YOKE	1		
	14M7401	LOCK NUT	2		M12
15	19M7818	SCREW	2		M12 X 80
16	AH154737	U-JOINT, WITH SHAFT & SHIELD	1		(SUB AH155077) (SUB FOR AH141283)
	AH155077	UNIVERSAL DRIVESHAFT	1	9AUG99-	
	AZ47798	UNIVERSAL JOINT	1	665436-	USED ON EURO-GRAIN

# 4H9

FEEDER HOUSE

FEEDER CONVEYOR DRIVE CHAIN, TIGHTENER AND GUIDES-RETROFIT INSTALLATION (5JAN98- )

HP7294 -UN-12JAN98



HP7294

# 4H10

FEEDER HOUSE

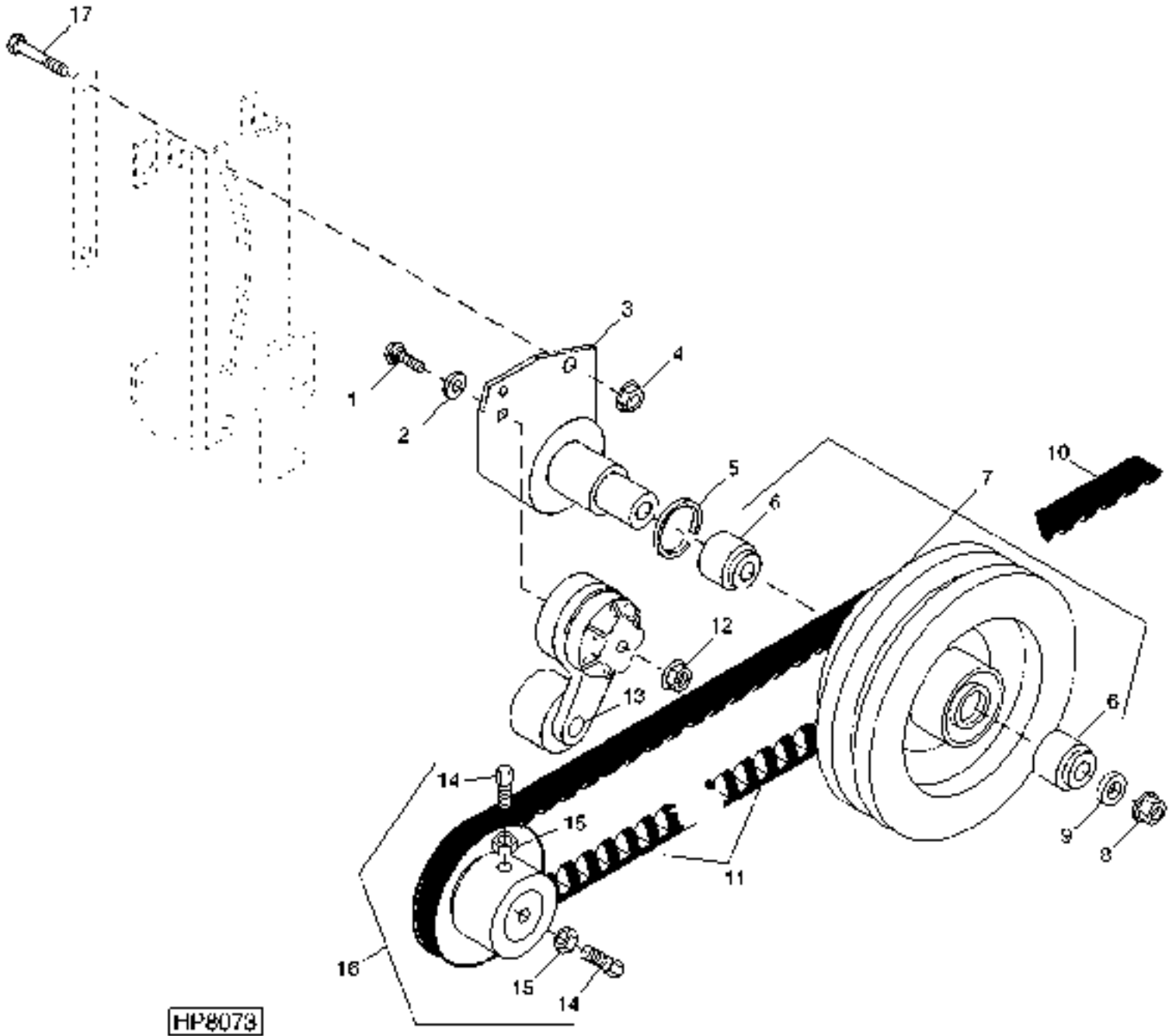
FEEDER CONVEYOR DRIVE CHAIN, TIGHTENER AND GUIDES-RETROFIT INSTALLATION - CONTINUED (5JAN98- )

KEY	PART NO.	PART NAME	QTY	SERIAL NO.	REMARKS
1	03M7190	BOLT	2		
2	H162325	BRACKET	2		
3	14M7296	FLANGE NUT	6		
4	A50743	BOLT	2		
5	14M7272	NUT	2	M6	
6	H135772	WHEEL	1		ROLLER, TYPE 60, 19 MM (3/4") 220 LINKS (SMALL SPROCKET) AND 223 LINKS (LARGE SPROCKET); (OR ASSEMBLE FROM (4) AB1288H AND AB1289H)
7	H162326	PLATE	1		
8	14M7400	LOCK NUT	4	M10	
9	AH155739	BRACKET	1		
10	H130530	GUIDE	2		
11	03M7233	BOLT	4	M10 X 70	
12	AH145029	LINK CHAIN	1		
13	AH155659	PLATE	1		
14	H172177	FINGER	1		(SUB FOR H162425)
15	H164410	SHAFT	1		WIDE AIRFLOW
16	H149063	LABEL	1		
17	H164537	SIGN	1		
18	19M7789	SCREW	1	M12 X 30	
19	14M7299	FLANGE NUT	7	M12	
20	03M7198	BOLT	6	M12 X 30	
21	19M7785	SCREW	2	M10 X 25	
22	26M6787	SHAFT KEY	3	10 X 32 MM	
23	H171318	COVER	1		(SUB FOR H162177)
..	<b>BH81390</b>	<b>COMPLETE GOODS/SHIP. BUNDLE</b>	1		<b>RETROFIT - NARROW FEEDER HOUSE</b>
..	<b>BH81446</b>	<b>COMPLETE GOODS/SHIP. BUNDLE</b>	1		<b>RETROFIT - NARROW FEEDER HOUSE, CONTOUR MASTER</b>

# 4H11

FEEDER HOUSE

LH SIDE FEEDER HOUSE DUST FAN BELT - RETROFIT INSTALLATION (5JAN98- )  
HP8073 -UN-08APR99



HP8073

# 4H12

FEEDER HOUSE

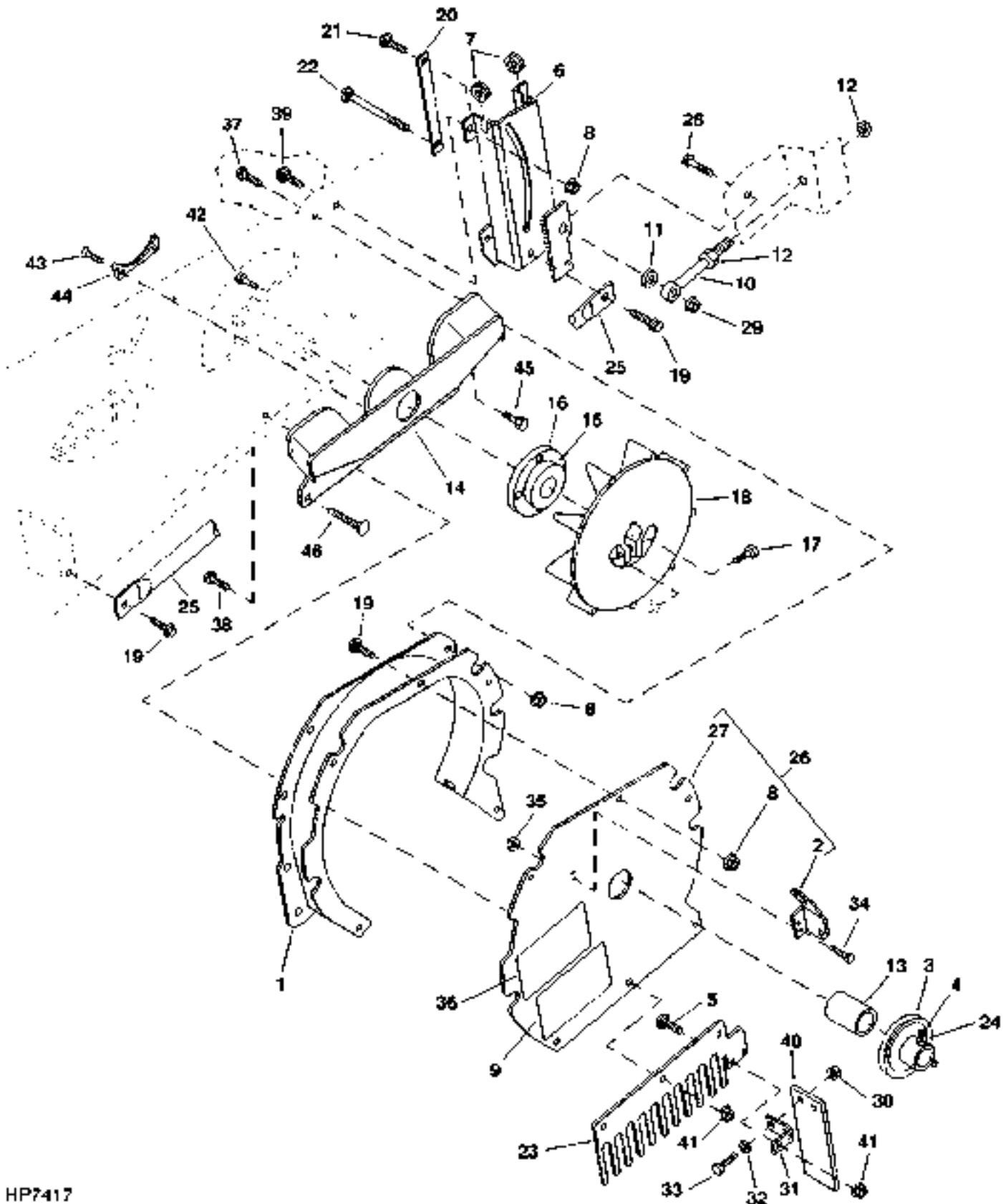
**LH SIDE FEEDER HOUSE DUST FAN BELT**

KEY	PART NO.	PART NAME	QTY	SERIAL NO.	REMARKS
1	19M7809	SCREW	1	M10 X 70	
2	24M7028	WASHER	1	10.500 X 20 X 2 MM	
3	AH156975	BRACKET	1		
4	14M7296	FLANGE NUT	5	M10	
5	P46874	SNAP RING	1		
6	AN142665	BALL BEARING	2		
7	AH155715	SHEAVE	1		
8	14M7291	FLANGE NUT	3	M16	
9	24M7315	WASHER	1	17 X 50 X 3 MM	
10	H161648	BELT	1		
11	H164452	BELT	1		
12	14M7296	FLANGE NUT	3	M10	
13	AH155348	TIGHTENER	1		
14	H138435	SET SCREW	2	M10 X 25	
15	14M7152	NUT	2	M10	
16	AH155707	SHEAVE	1		
..	<b>BH81390</b>	<b>COMPLETE GOODS/SHIP. BUNDLE</b>	<b>1</b>		<b>RETROFIT - NARROW FEEDER HOUSE</b>
..	<b>BH81446</b>	<b>COMPLETE GOODS/SHIP. BUNDLE</b>	<b>1</b>		<b>RETROFIT - NARROW FEEDER HOUSE, CONTOUR MASTER</b>

# 4H13

FEEDER HOUSE

LH SIDE FEEDER HOUSE DUST FAN - RETROFIT INSTALLATION (5JAN98- )  
HP7417 -UN-11FEB98



HP7417

# 4H14

FEEDER HOUSE

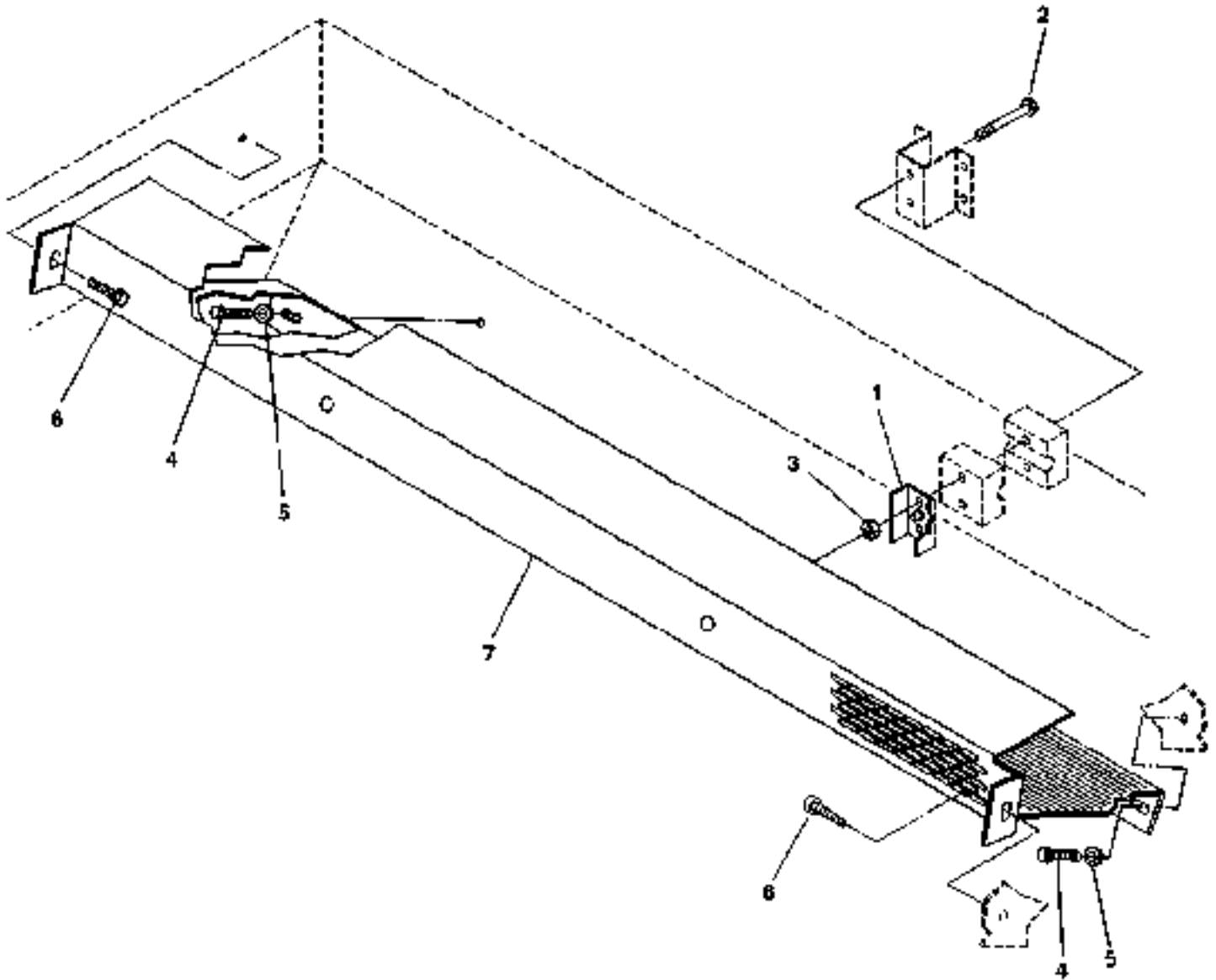
LH SIDE FEEDER HOUSE DUST FAN - RETROFIT INSTALLATION (5JAN98- )

KEY	PART NO.	PART NAME	QTY	SERIAL NO.	REMARKS
1	AH155657	PLATE	1		
2	H134417	BRACKET	1		
3	AH155706	SHEAVE	1		
	AH155707	SHEAVE	1		
4	H138435	SET SCREW	1		
5	03M7191	BOLT	1		
6	AH155703	BRACKET	1		
7	R66626	GROMMET	2		
8	14M7299	FLANGE NUT	AR	M12	
9	H164537	SIGN	1		
10	H164222	EYEBOLT	1		
11	24M7349	WASHER	2	21 X 37 X 3 MM	
12	14M7277	NUT	2	M20	
13	H163994	SPACER	1		
14	AH159053	SCOOP	1		
	AH159054	SCOOP	1		
15	AZ19427	BALL BEARING	1		
16	AH157168	BEARING	1		
17	19M7806	SCREW	1	M10 X 50	
18	AH157415	FAN	1		
19	19M7789	SCREW	3	M12 X 30	
20	H162211	ADJUSTING STRAP	1		
21	03M7205	BOLT	1	M16 X 40	
22	H163175	BOLT	1		
23	H172177	FINGER	1	(SUB FOR H162425)	
24	14M7152	NUT	1	M10	
25	H162278	BRACE	1		
26	AH155833	COVER	1		
27	H171318	COVER	1	(SUB FOR H162177)	
28	19M8224	CAP SCREW	1	M20 X 60	
29	14M7277	NUT	3	M20	
30	H135891	LOCK NUT	2	-2MAR98 M10	
	14M7400	LOCK NUT	2	2MAR98- M10	
31	H164009	BRACKET	1		
32	24M7178	WASHER	2	10.500 X 30 X 2.500 MM	
33	03M7191	BOLT	2	M10 X 25	
34	03M7183	BOLT	2	M8 X 16	
35	14M7298	FLANGE NUT	2	M8	
36	H149063	LABEL	1		
37	03M7198	BOLT	6	M12 X 30	
38	19M7785	SCREW	2	M10 X 25	
39	03M7192	BOLT	5	M10 X 30	
40	H164018	LIMIT CURTAIN	2		
41	14M7296	FLANGE NUT	AR	M10	
42	H165317	SCREW	4		
43	H165318	SCREW	2		
44	H164391	STRIPPER	2		
45	03M7198	BOLT	2		
46	03M7197	BOLT	4	M12 X 25	
..	<b>BH81390</b>	<b>COMPLETE GOODS/SHIP. BUNDLE</b>	1	<b>RETROFIT - NARROW FEEDER HOUSE</b>	
..	<b>BH81446</b>	<b>COMPLETE GOODS/SHIP. BUNDLE</b>	1	<b>RETROFIT - NARROW FEEDER HOUSE, CONTOUR MASTER</b>	

# 4H15

FEEDER HOUSE

INTAKE SHIELD  
HP7287 -UN-05DEC97



HP7287



# 4H16

FEEDER HOUSE

## INTAKE SHIELD

KEY	PART NO.	PART NAME	QTY	SERIAL NO.	REMARKS
1	AH155275	FITTING	1		
2	19M8039	SCREW	2		M8 X 80
3	14M7396	LOCK NUT	2		M8
4	37M7086	SCREW	2		M10 X 20
5	24M7178	WASHER	2		10.500 X 30 X 2.500 MM
6	19M7800	SCREW	2	-28SEP7	M8 X 50
	37M7058	SCREW	2	29SEP7-	M8 X 20
7	H157036	SHIELD	2	-28SEP7	WIDE
	H164494	SHIELD	1	29SEP7-	
..	<b>BH80538</b>	<b>COMPLETE GOODS/SHIP. BUNDLE</b>	<b>1</b>		<b>CLEANING FAN SHIELD, NARROW</b>
..	<b>BH80539</b>	<b>COMPLETE GOODS/SHIP. BUNDLE</b>	<b>1</b>		<b>CLEANING FAN SHIELD, NARROW</b>

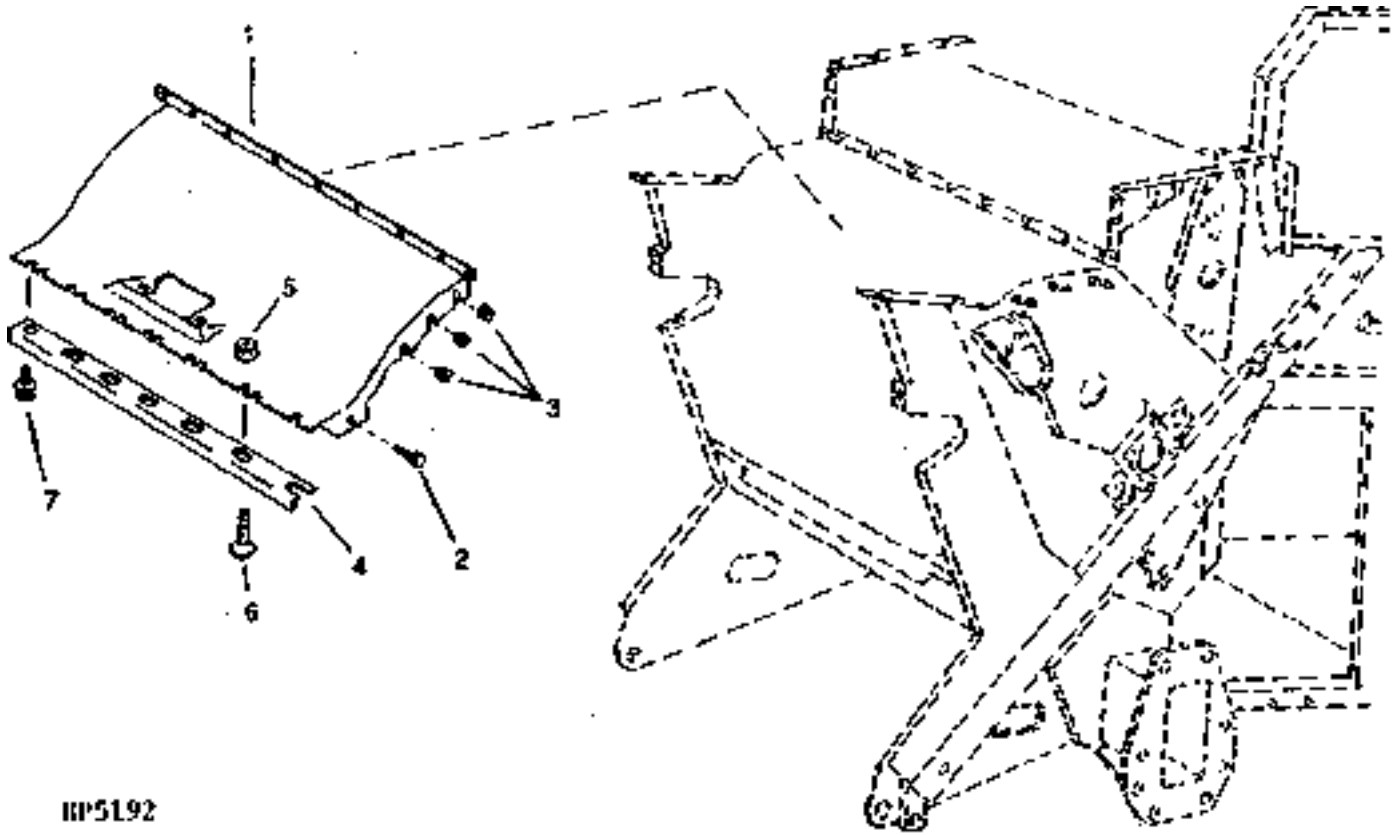
MEMORANDA

# 5B9

THRESHING AND SEPARATION

## THRESHING CYLINDER COVER

HP5192 -UN-01JAN94



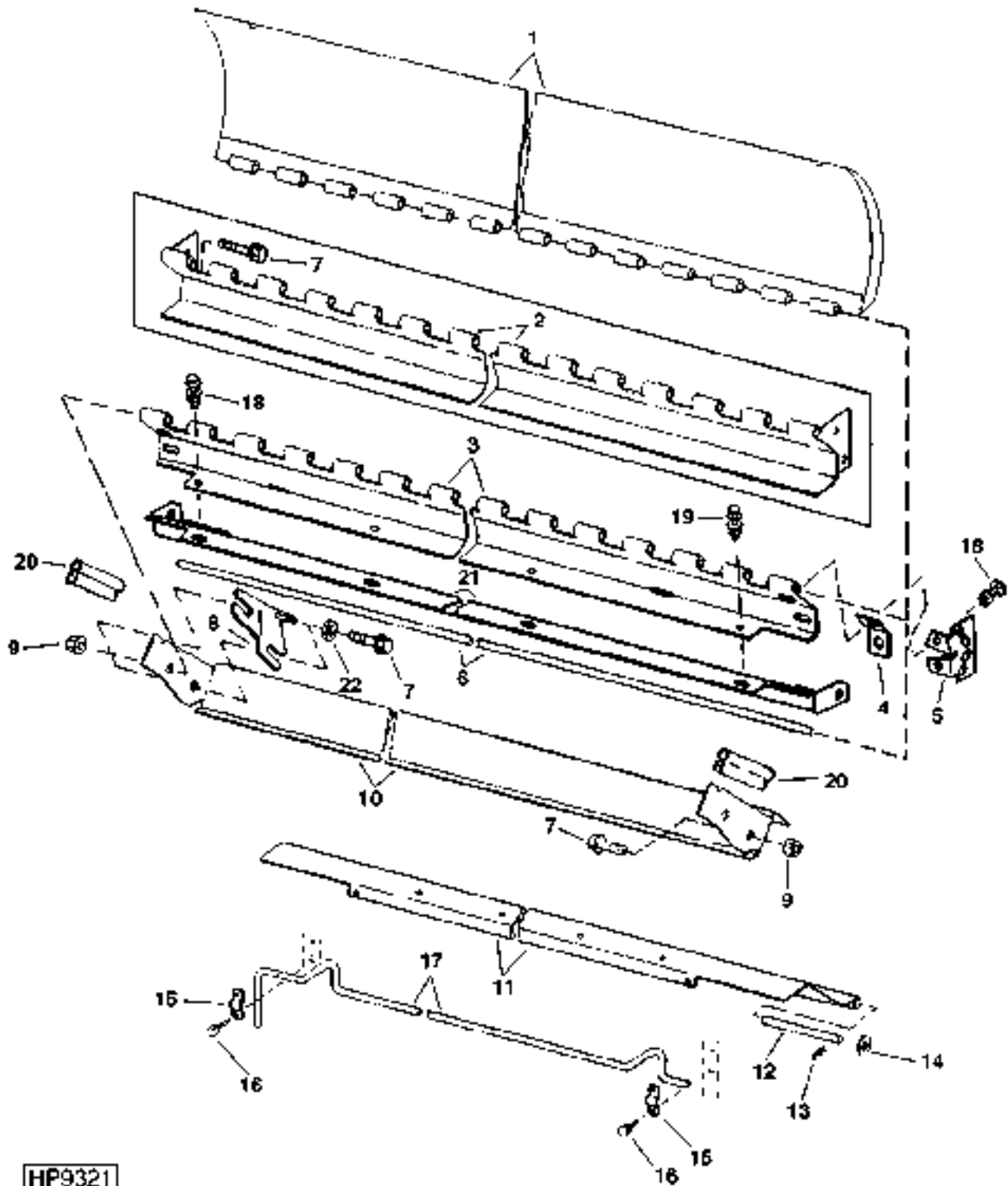
HP5192

KEY	PART NO.	PART NAME	QTY	SERIAL NO.	REMARKS
1	AH139445	COVER	1	-650400	(SUB FOR AH137235)
	H147845	COVER	1	650401-	
2	19M7785	SCREW	2		M10 X 25
3	14M7296	FLANGE NUT	8		M10
4	H134168	SEAL	1		(FOR CORN ONLY)
5	14M7298	FLANGE NUT	6		M8
6	03M7183	BOLT	6		M8 X 16
7	37M7092	SCREW	1		M8 X 16

# 5B10

THRESHING AND SEPARATION

SEPARATOR / FEEDER HOUSE SEAL, STONE TRAP AND DOOR  
HP9321 -UN-19NOV99



HP9321

# 5B11

## THRESHING AND SEPARATION

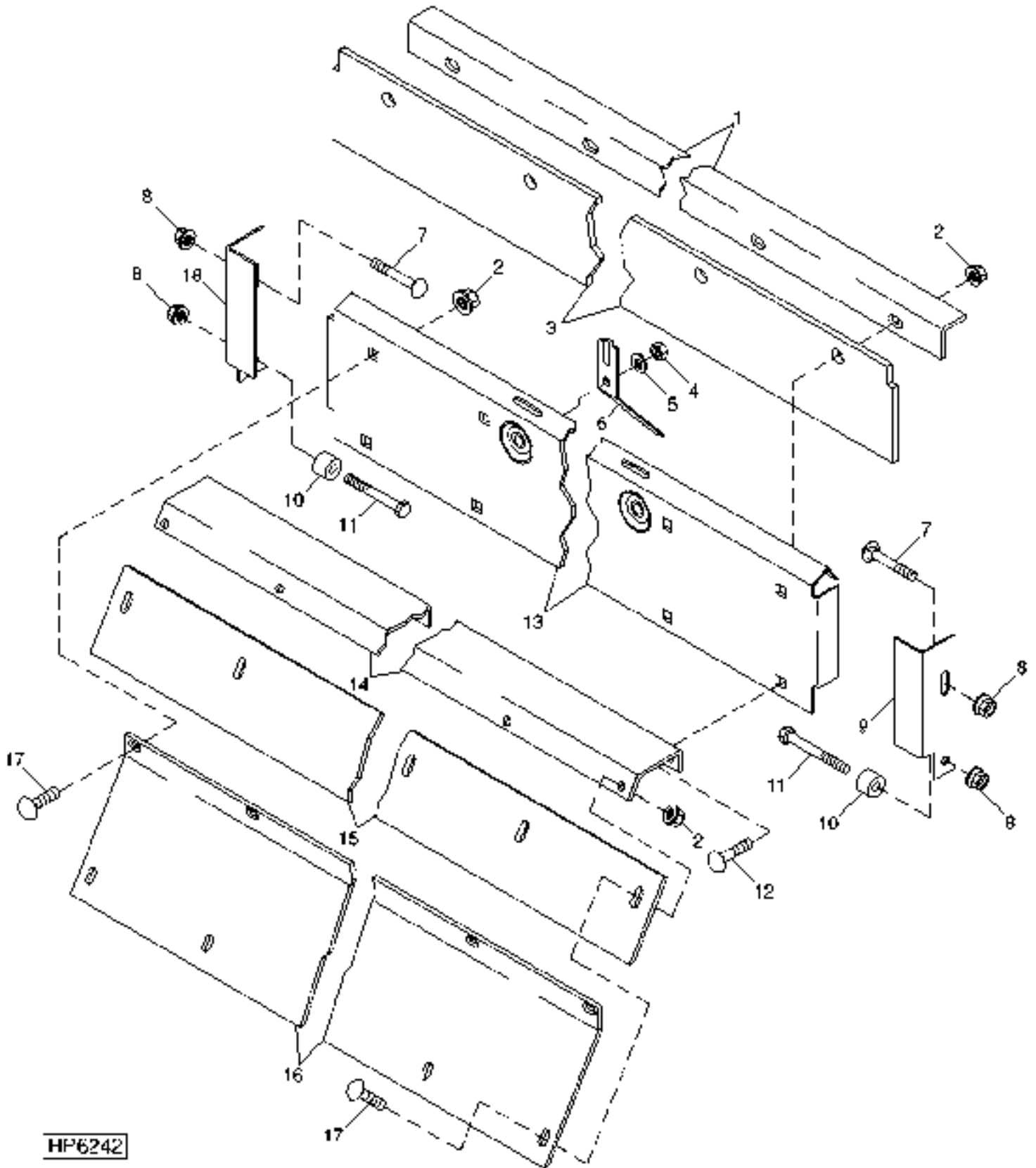
### SEPARATOR / FEEDER HOUSE SEAL, STONE TRAP AND DOOR - CONTINUED

KEY	PART NO.	PART NAME	QTY	SERIAL NO.	REMARKS
1	AH120502	PLATE	1		
2	AH139313	HINGE	1	-650400	(SUB (2) H148018, (2) H148019 AND H148021)
3	H148021	HINGE	1	650401-	
4	H148019	REINFORCEMENT	2	650401-	
5	H148018	SUPPORT	2	650401-	
6	H117953	PIN	1		(CUT FROM H130057) CUT TO 1385 MM LENGTH
7	19M7812	SCREW	6		M10 X 100
8	H146730	STOP	1		
9	14M7296	FLANGE NUT	6		M10
10	H134853	DEFLECTOR	1	-655481	
	H151067	DEFLECTOR	1	655482-	
11	H134335	DOOR	1		
12	H148925	PIN	2		(SUB FOR H118068)
13	11M7030	COTTER PIN	4		
14	24M7051	WASHER	2		21 X 37 X 3 MM
15	H134339	BRACKET	2		
16	37M7080	SCREW	4		M10 X 30
17	H134338	ROD	1		
18	03M7191	BOLT	4	650401-	M10 X 25
	14M7296	FLANGE NUT	4	650401-	M10
19	19M7866	SCREW	4		M8 X 20
	14M7298	FLANGE NUT	4		M8
20	H151068	SHIELD	2	655482-	
21	H148023	ANGLE	1	650401-	(FIELD CONVERSION ONLY)
22	24M7178	WASHER	2	29SEP7-	10.500 X 30 X 2.500 MM

# 5B12

THRESHING AND SEPARATION

CYLINDER DOOR  
(FOR CORN) ( -650400)  
HP6242 -UN-24AUG99



HP6242

# 5B13

THRESHING AND SEPARATION

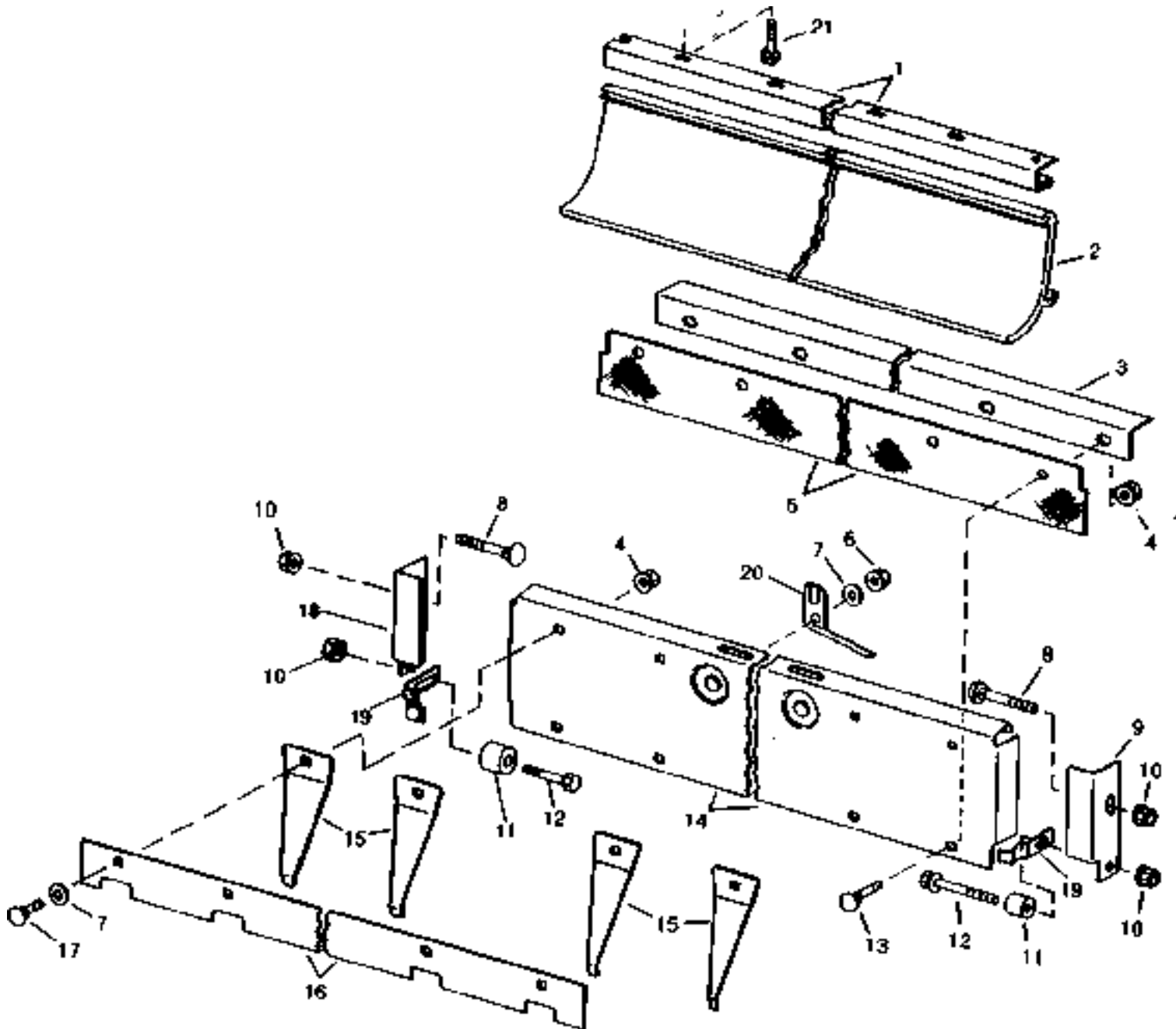
**CYLINDER DOOR - CONTINUED  
(FOR CORN) ( -650400)**

KEY	PART NO.	PART NAME	QTY	SERIAL NO.	REMARKS
1	H148063	SUPPORT	1		(SUB FOR H134160)
2	14M7298	FLANGE NUT	24		M8
3	H150133	SEAL	1		(SUB FOR H134157 OR H148061)
4	14M7396	LOCK NUT	2		M8
5	24M7207	WASHER	2		8.400 X 24 X 2 MM
6	H134654	HANDLE	2		
7	03M7247	BOLT	2		M10 X 90
8	14M7296	FLANGE NUT	4		M10
9	H134165	SUPPORT	1		
10	E50096	BUSHING	2		
11	19M7944	SCREW	2		M10 X 120
12	03M7185	BOLT	8		M8 X 25
13	AH130202	DOOR	1		
14	H134154	REINFORCEMENT	1		
15	H134163	SEAL	1		
16	H134151	ISOLATOR	1		
17	03M7183	BOLT	16		M8 X 16
18	H134164	SUPPORT	1		

# 5B14

THRESHING AND SEPARATION

CYLINDER DOOR  
(CORN AND GRAIN) (650401-655400)  
HP5812 -UN-04JAN96



HP5812



# 5B15

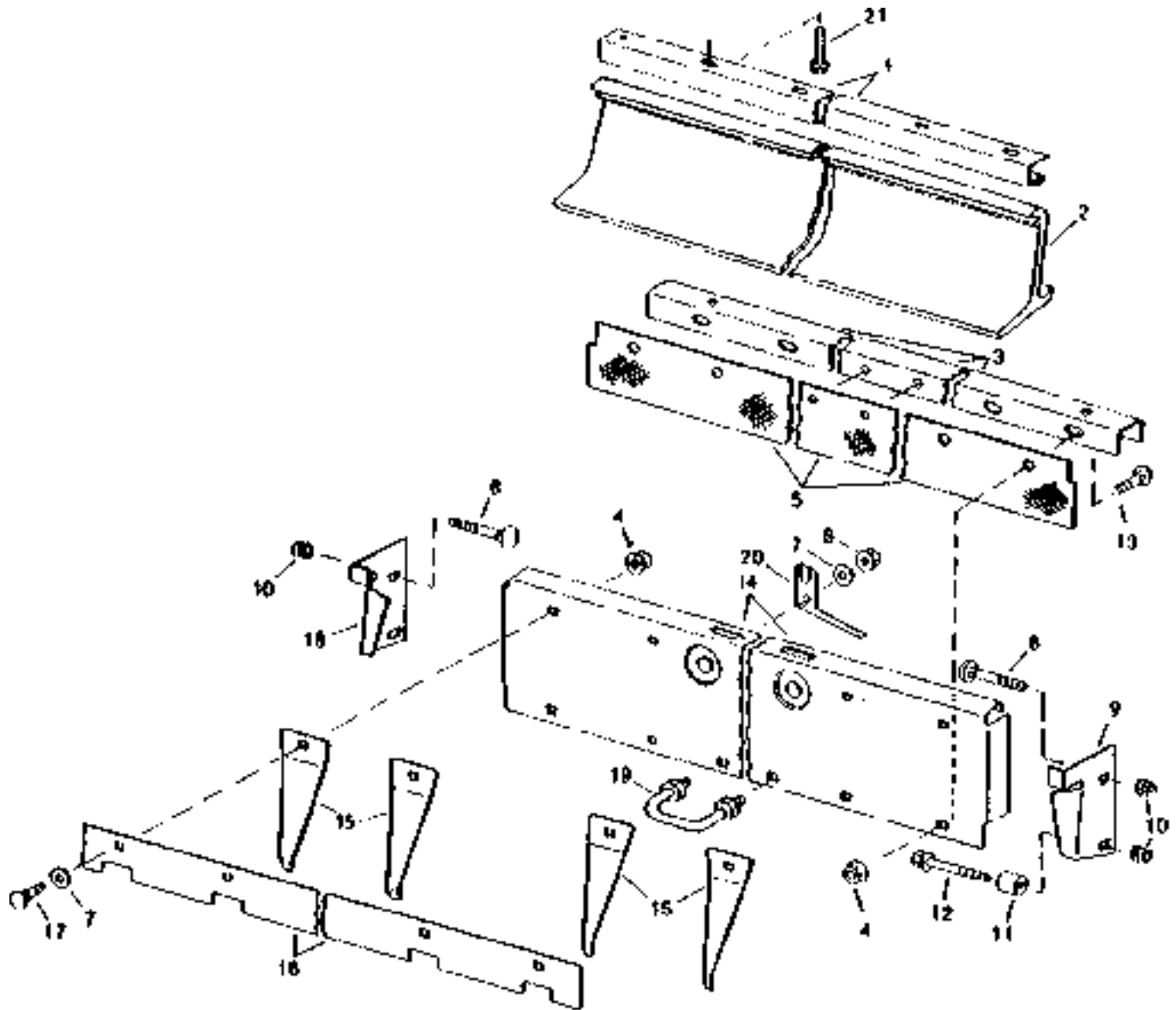
THRESHING AND SEPARATION

**CYLINDER DOOR - CONTINUED  
(CORN AND GRAIN) (650401-655400)**

KEY	PART NO.	PART NAME	QTY	SERIAL NO.	REMARKS
1	H150128	HINGE	1		(SUB FOR AH142422)
2	AH142551	DOOR	1		
3	H148063	SUPPORT	1		
4	14M7298	FLANGE NUT	14		M8
5	H150133	SEAL	1		(SUB FOR H148061)
6	14M7396	LOCK NUT	2		M8
7	24M7207	WASHER	2		8.400 X 24 X 2 MM
8	03M7247	BOLT	2		M10 X 90
9	H134165	SUPPORT	1		R.H.
10	14M7296	FLANGE NUT	4		M10
11	E50096	BUSHING	2		10.312 X 25.400 X 27.940 MM (13/32" X 1" X 1.100")
12	19M7944	SCREW	2		M10 X 120
13	03M7185	BOLT	8		M8 X 25
14	AH130202	DOOR	1		
15	H148058	SPRING	4		
16	H148066	STRIP	1		
17	03M7183	BOLT	6		M8 X 16
18	H134164	SUPPORT	1		L.H.
19	H148057	STOP	2		
20	H134654	HANDLE	2		
21	19M7866	SCREW	4		

# 5B16

CYLINDER DOOR  
(655401- )  
HP5678 -UN-01JAN94



HP5678

# 5B17

## THRESHING AND SEPARATION

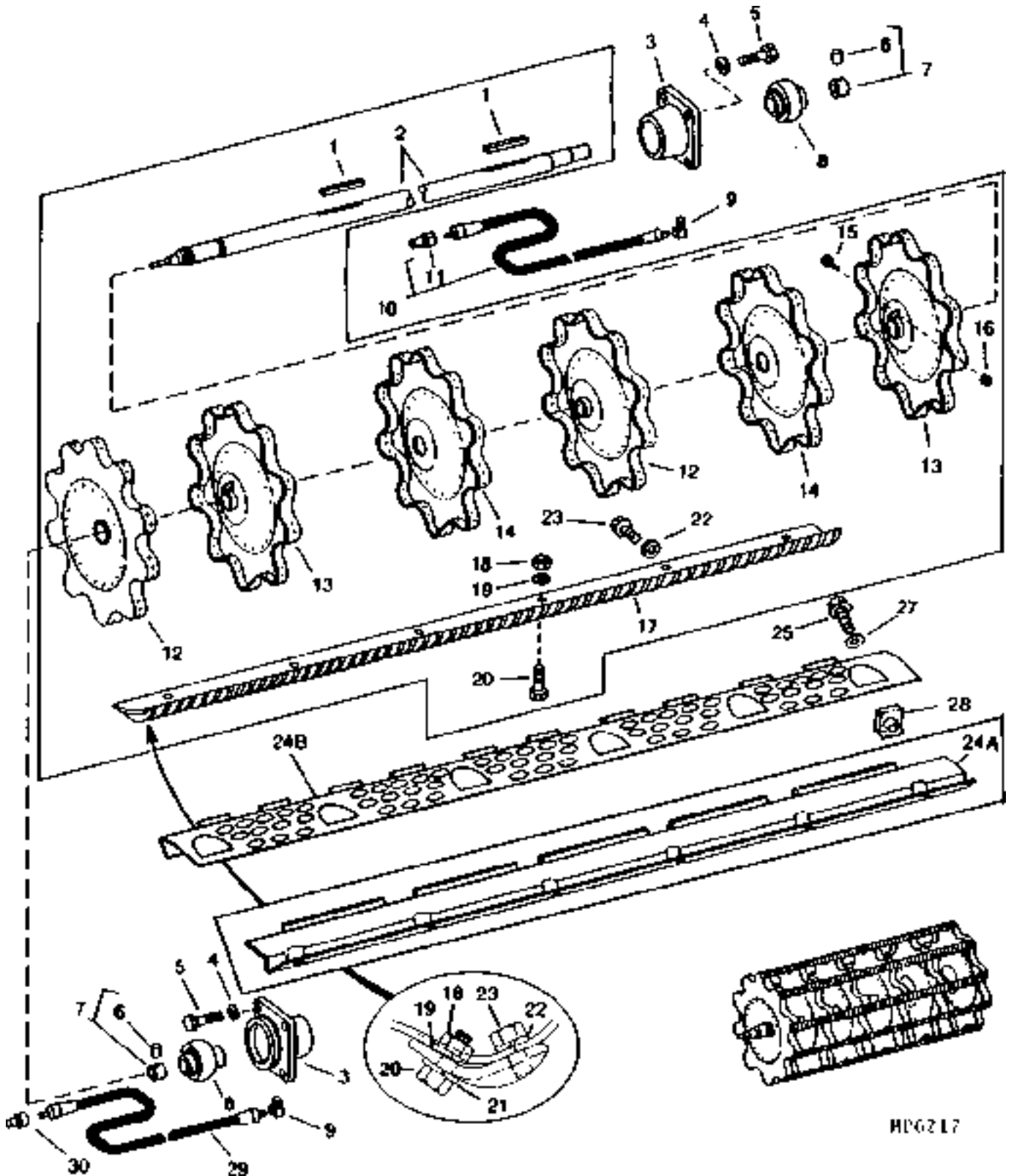
### CYLINDER DOOR - CONTINUED (655401- )

KEY	PART NO.	PART NAME	QTY	SERIAL NO.	REMARKS
1	H150128	HINGE	1		
2	AH144104	DEFLECTOR	1		(USE WITH H150134)
	H150134	SEAL	1		
3	H150130	SUPPORT	1		
4	14M7298	FLANGE NUT	14	M8	
5	H150133	SEAL	1		
6	14M7396	LOCK NUT	2	M8	
7	24M7047	WASHER	2		13 X 24 X 2.500 MM (0.512" X 0.945" X 0.098")
8	03M7247	BOLT	2		M10 X 90
9	.....	SUPPORT	1		(ORDER AH144609) (INCLUDES BOTH R.H. AND L.H. SUPPORTS)
10	14M7296	FLANGE NUT	4	M10	
11	E50096	BUSHING	2		10.312 X 25.400 X 27.940 MM (13/32" X 1" X 1.100")
12	19M7944	SCREW	2		M10 X 120
13	03M7185	BOLT	8	-655400	M8 X 25
	03M7184	BOLT	9	655401-	M8 X 20
14	AH130202	DOOR	1		
15	H148058	SPRING	4		
16	H148066	STRIP	1		
17	03M7183	BOLT	6		M8 X 16
18	.....	SUPPORT	1		(ORDER AH144609) (INCLUDES BOTH R.H. AND L.H. SUPPORTS)
19	H150131	U-BOLT	2		
	14H785	NUT	1		7.925 MM (5/16")
	14H1042	NUT	1		7.925 MM (5/16")
20	H134654	HANDLE	2		
21	19M7866	SCREW	4		M8 X 20

# 5B18

THRESHING AND SEPARATION

RASP BAR THRESHING CYLINDER  
HP6217 -UN-04JAN96



# 5B19

## THRESHING AND SEPARATION

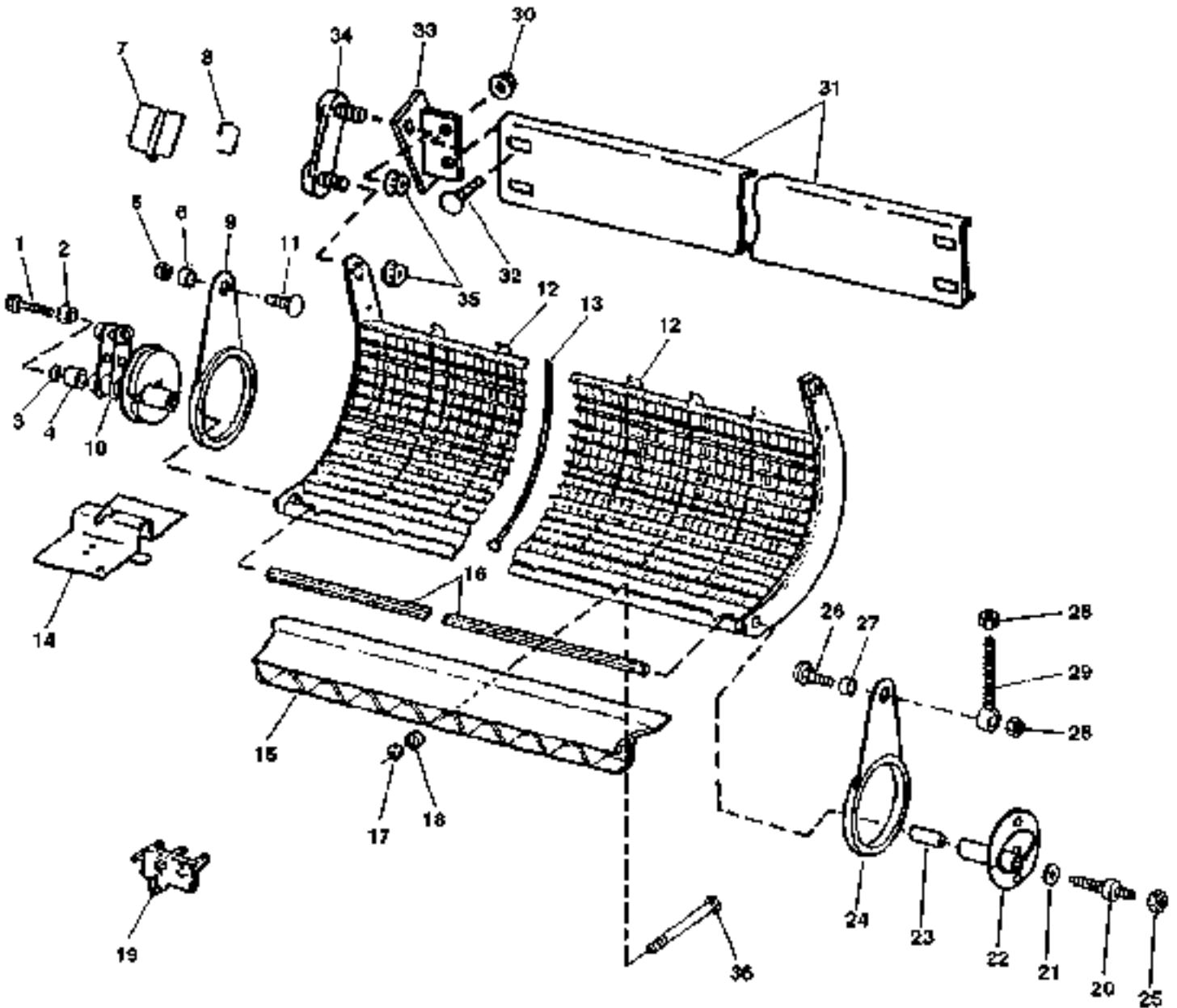
### RASP BAR THRESHING CYLINDER - CONTINUED

KEY	PART NO.	PART NAME	QTY	SERIAL NO.	REMARKS
1	.....	SHAFT KEY	2		(CUT FROM H64376) IN AH64587 KEY STOCK KIT
2	H140043	SHAFT	1		DUAL RANGE
	H145970	SHAFT	1	655542-	(GRAIN)
3	H99149	HOUSING	2		
4	12H304	LOCK WASHER	8		3/8"
5	19H1732	CAP SCREW	8		3/8" X 1-1/4"
6	.....	SET SCREW	2		
7	JD10342	ECCENTRIC LOCKING COLLAR	2		
8	JD10343	BALL BEARING	2		
9	JD7845	ELBOW FITTING	2		
10	AH121009	HOSE	1		1/8" X 910 MM (35-3/4") X 1/8", LEFT-HAND
11	JD7788	LUBRICATION FITTING	1		
12	AH126720	THRESHING CYLINDER HEAD	2		WITH PILOT HUB
13	AH126719	THRESHING CYLINDER HEAD	2		WITH KEYED HUB
14	H131878	THRESHING CYLINDER HEAD	2		WITH NO HUB
15	19H1820	CAP SCREW	2		1/2" X 3"
	12H301	LOCK WASHER	2		1/2"
16	14H809	NUT	2	-650400	1/2"
	14H1040	NUT	2	650401-	1/2"
17	AH134145	RASP BAR	1		(SUB AH161400) LEFT-HAND (PACKAGE OF FIVE)(CHROMED)
	AH134144	RASP BAR	1		(SUB AH161405) RIGHT-HAND (PACKAGE OF FIVE)(CHROMED)
	AH161400	RASP BAR	1		LEFT-HAND (PACKAGE OF FIVE) CHROMED METRIC
	AH161405	RASP BAR	1		RIGHT-HAND (PACKAGE OF FIVE) CHROMED METRIC
18	H99923	LOCK NUT	60		9.525 MM, WITH RASP BAR
19	24H1308	WASHER	60		WITH RASP BAR
20	19H3239	CAP SCREW	60		3/8" X 1-1/4"
21	24H1303	WASHER	2		13/32" X 11/16" X 0.065"
22	12H304	LOCK WASHER	60		3/8"
23	19H2554	CAP SCREW	60	655701-28SEP8	9.525 X 15.875 MM (3/8" X 5/8") (SUB FOR H89853)
	19M7783	SCREW	AR	28SEP8-	M10 X 16
24A	H144037	DEFLECTOR	10	-665400	
24B	H150837	DEFLECTOR	10	665401-	PERFORATED
25	H145773	SELF-LOCKING SCREW	60		M10 X 35
26	AH162821	RASP-BAR CYLINDER	1		(SUB FOR AH144544) DUAL RANGE WITH BLACK BARS
	AH162833	RASP-BAR CYLINDER	1		(SUB FOR AH134658) WITH SHAFT
	AH162827	RASP-BAR CYLINDER	1		(SUB FOR AH140131) (GRAIN)
27	24H1308	WASHER	120		13/32" X 1" X 0.134", WITH DEFLECTOR
28	H146457	NUT	120		
29	AH121009	HOSE	1		1/8" X 910 MM (35-3/4") X 1/8", RIGHT-HAND
30	JD7788	LUBRICATION FITTING	1		
..	AH140417	PACKAGE OF PARTS	1		INCLUDES (60) H145773 CAP SCREWS, (60) H146457 CLIP NUTS AND (60) 24 H1308 WASHERS
..	AH161818	KIT	1		(SUB AH163920 OR AH163921) (SUB FOR AH146116) (INCLUDES (70) A51212, (70) 19M7402, (70) 19M7783 AND (70) 24M7028) METRIC
..	AH163920	KIT	2		(INCLUDES (35) H135891, (35) 19M7402 AND (35) 19M7783) METRIC
..	AH163921	KIT	1		(INCLUDES (14) H135891, (14) 19M7402 AND (14) 19M7783) METRIC
..	<b>BH81162</b>	<b>COMPLETE GOODS/SHIP. BUNDLE</b>	<b>1</b>		<b>PERFORATED FILLER PLATES - NARROW</b>

# 5B20

THRESHING AND SEPARATION

RASP BAR CONCAVE  
HP6764 -UN-18AUG97



HP6764

# 5B21

## THRESHING AND SEPARATION

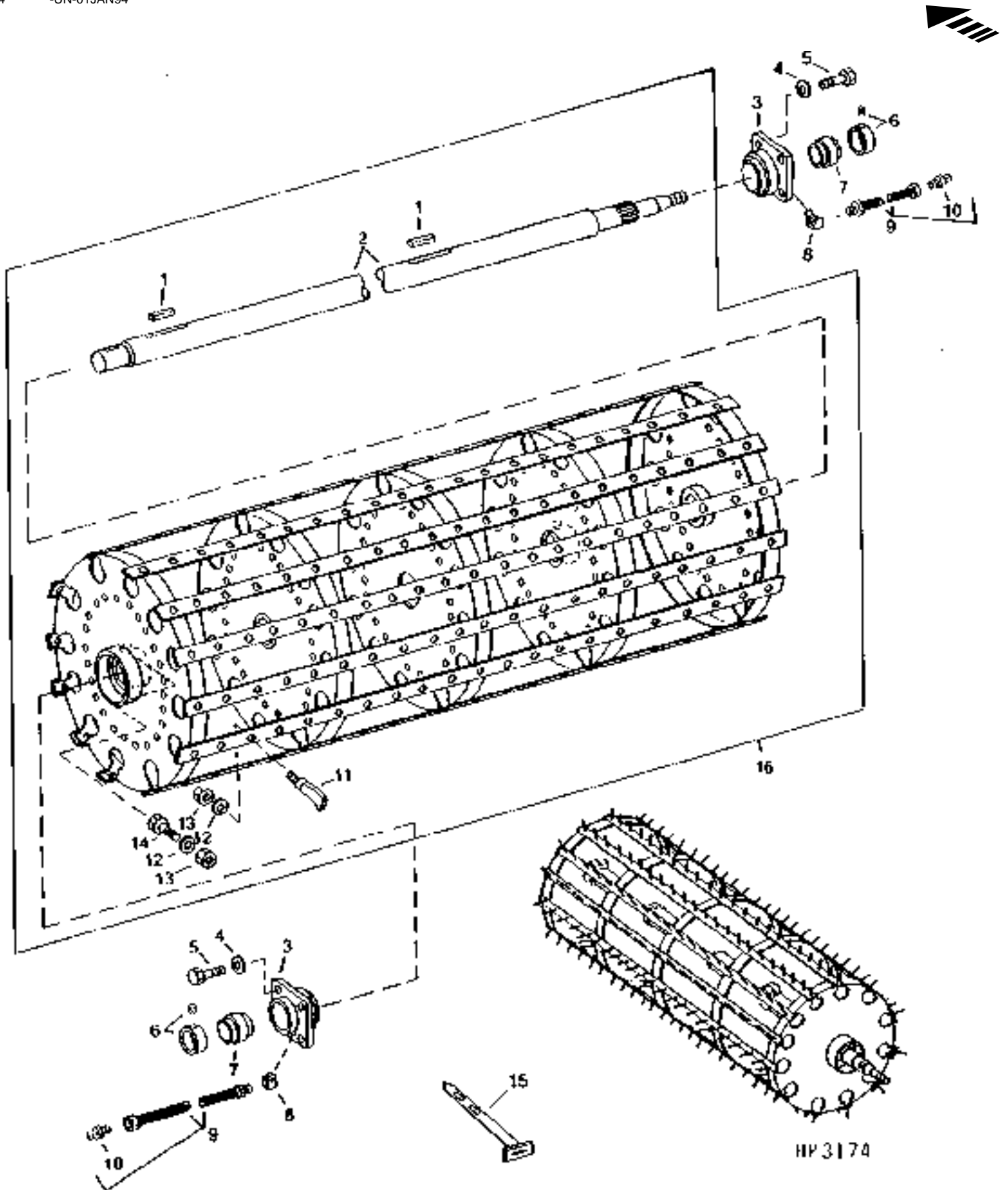
### RASP BAR CONCAVE - CONTINUED

KEY	PART NO.	PART NAME	QTY	SERIAL NO.	REMARKS
1	H132541	SCREW	1		
2	28H1597	WASHER	1		0.546" X 0.840" X 3/8"
3	24H1351	WASHER	1	-5FEB96	14.275 X 38.100 X 4.166 MM
	24M7101	WASHER	1	5FEB96-	11 X 34 X 3 MM
4	28H1601	BUSHING	1		0.546" X 0.840" X 4-1/8"
5	14M7300	FLANGE NUT	1		M20
6	H137204	BUSHING	1		20.620 X 38.100 X 15 MM
7	H134418	COVER	1		
8	H134420	RETAINER	1		
9	H151484	LINK	1		(SUB FOR H147484)
10	AH133156	CAM	1		R.H.
11	H137203	BOLT	1		M20 X 65
12	AH136605	CONCAVE	1		(SUB FOR AH155494)
13	H135036	PIN	1		
14	AH130465	COVER	1		
15	AH151119	ANGLE	1		(SUB FOR AH141204)
16	H145639	SHAFT	1		
17	14M7401	LOCK NUT	1		M12
18	E47782	SPACER	6		
19	AH153688	INSERT	16		(SUB FOR AH137523 OR AH143744) SHORT WIRE
20	H147468	ROD	1		
21	24H1351	WASHER	1	-5FEB96	9/16" X 1-1/2" X 0.164"
	24M7101	WASHER	1	5FEB96-	11 X 34 X 3 MM
22	AH133157	CAM	1		L.H.
23	28H2642	SPACER	1		
24	H151484	LINK	1		(SUB FOR H147484)
25	A31867	LOCK NUT	1	-5FEB96	M12
	14M7401	LOCK NUT	1		M12, (SUB FOR H137329)
26	H137203	BOLT	1		M20 X 65
27	H137204	BUSHING	1		20.620 X 38.100 X 15 MM
28	14M7300	FLANGE NUT	2		M20
29	H119642	EYEBOLT	1		
30	14M7401	LOCK NUT	4		M12
31	H140936	CHANNEL	1		
32	03M7198	BOLT	4		M12 X 30
33	AH135335	BRACKET	1		R.H.
	AH135336	BRACKET	1		L.H.
34	AH135337	STRAP	1		
35	14M7299	FLANGE NUT	4		M12
36	H139098	BOLT	6		
..	AH153688	INSERT	16		(SUB FOR AH144536 OR AH143744)
..	<b>BH78486</b>	<b>COMPLETE GOODS/SHIP. BUNDLE</b>	<b>1</b>		<b>CONCAVE COVERS</b>
..	<b>BH81380</b>	<b>COMPLETE GOODS/SHIP. BUNDLE</b>	<b>1</b>		<b>CONCAVE INSERTS, BOX OF 16</b>
..	<b>BH81381</b>	<b>COMPLETE GOODS/SHIP. BUNDLE</b>	<b>1</b>		<b>CONCAVE INSERTS, BOX OF 20</b>

# 5B22

THRESHING AND SEPARATION

SPIKE TOOTH THRESHING CYLINDER  
HP3174 -UN-01JAN94





# 5B23

THRESHING AND SEPARATION

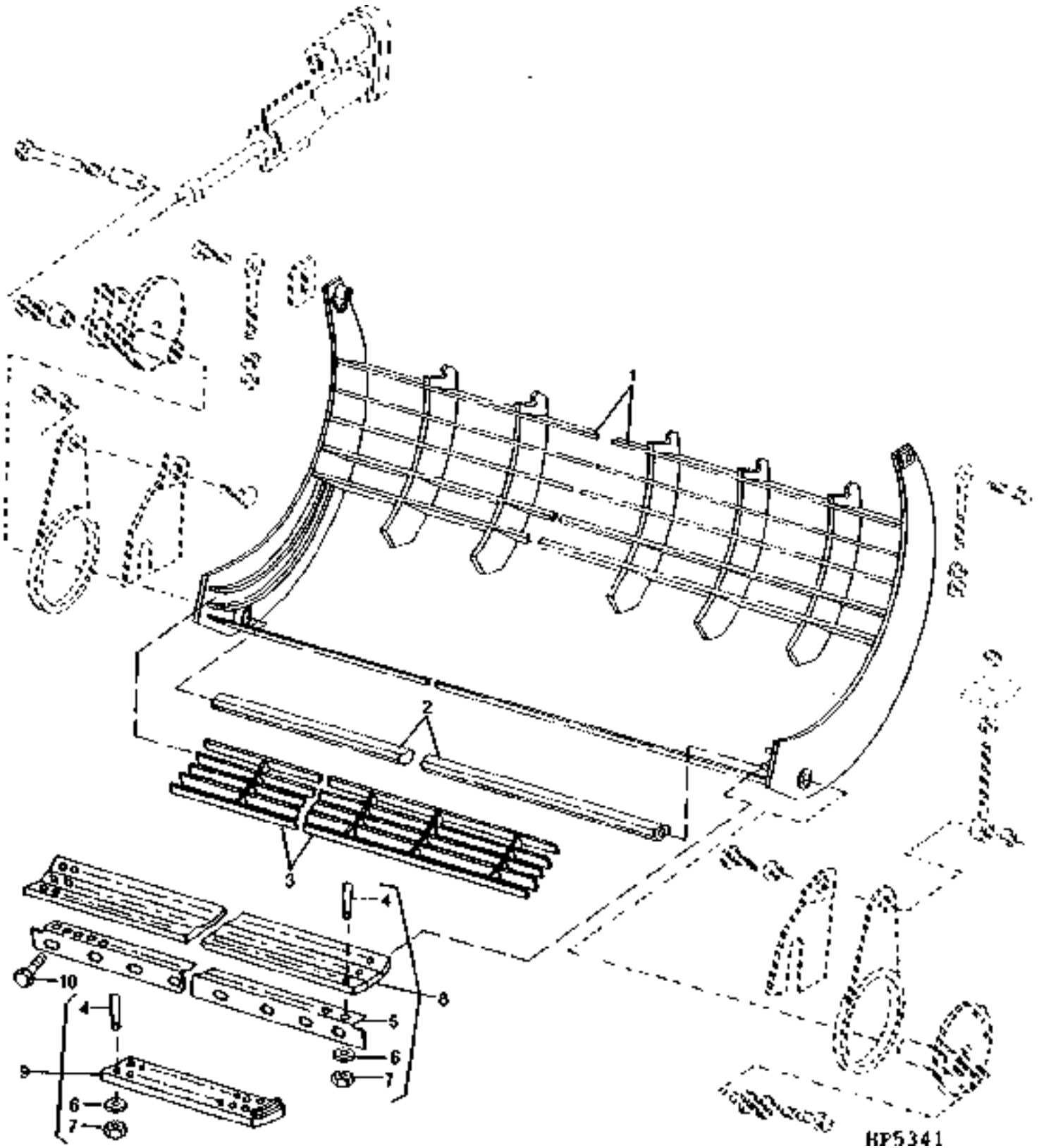
## SPIKE TOOTH THRESHING CYLINDER - CONTINUED

KEY	PART NO.	PART NAME	QTY	SERIAL NO.	REMARKS
1	.....	SHAFT KEY	2		(IN AH64587 KEY STOCK KIT) (CUT FROM H64376)
2	H140043	SHAFT	1		FOR DUAL RANGE
3	H99149	HOUSING	2		
4	12H304	LOCK WASHER	8		3/8"
5	19H1732	CAP SCREW	8		3/8" X 1-1/4"
6	JD10342	ECCENTRIC LOCKING COLLAR	2		
7	JD10343	BALL BEARING	2		
8	JD7845	ELBOW FITTING	2		
9	AH121009	HOSE	2		1/8" X 910 MM (35-3/4") X 1/8"
10	JD7759	LUBRICATION FITTING	2		
11	H132057	TOOTH	312		
12	12H301	LOCK WASHER	AR		1/2"
13	14H809	NUT	AR	-650400	1/2"
	14H1040	NUT	AR	650401-	1/2"
14	19H1820	CAP SCREW	2		1/2" X 3"
15	P5403H	TOOL	1		
16	AH134662	SPIKE-TOOTH CYLINDER	1		DUAL RANGE AND LOW SPEED DUAL RANGE. USE TO CONVERT TO SPIKE TOOTH, INCS. SPIKE TOOTH CYLINDER
..	<b>BH80119</b>	<b>COMPLETE GOODS/SHIP. BUNDLE</b>	<b>1</b>		<b>RASP BAR TO SPIKE TOOTH CONVERSION</b>

# 5B24

THRESHING AND SEPARATION

SPIKE-TOOTH CONCAVE  
HP5341 -UN-01JAN94



# 5B25

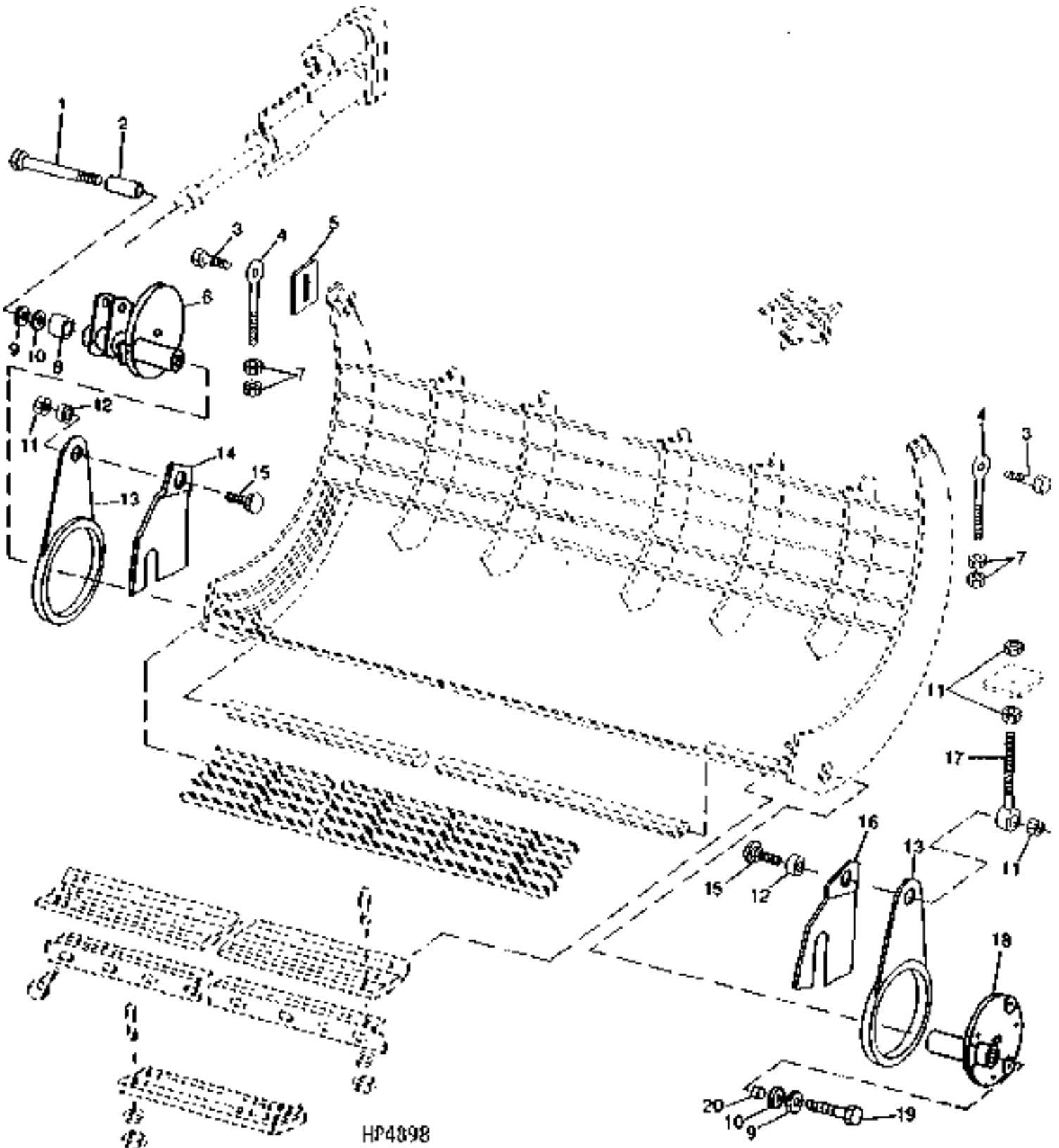
THRESHING AND SEPARATION

## SPIKE-TOOTH CONCAVE - CONTINUED

KEY	PART NO.	PART NAME	QTY	SERIAL NO.	REMARKS
1	AH135647	CONCAVE	1		
2	H145639	SHAFT	1		(SUB FOR H133632)
3	AH131331	GRATE	1		
4	H132057	TOOTH	AR		
5	H145257	ANGLE	1		
6	12H301	LOCK WASHER	AR		1/2"
7	14H809	NUT	AR	-650400	1/2"
	14H1040	NUT	AR	650401-	1/2"
8	AH139246	BAR	AR		
9	AH126880	CONCAVE	1		
10	19M7786	SCREW	7		M10 X 30

# 5C1

SPIKE TOOTH CONCAVE  
HP4898 -UN-01JAN94



# 5C2

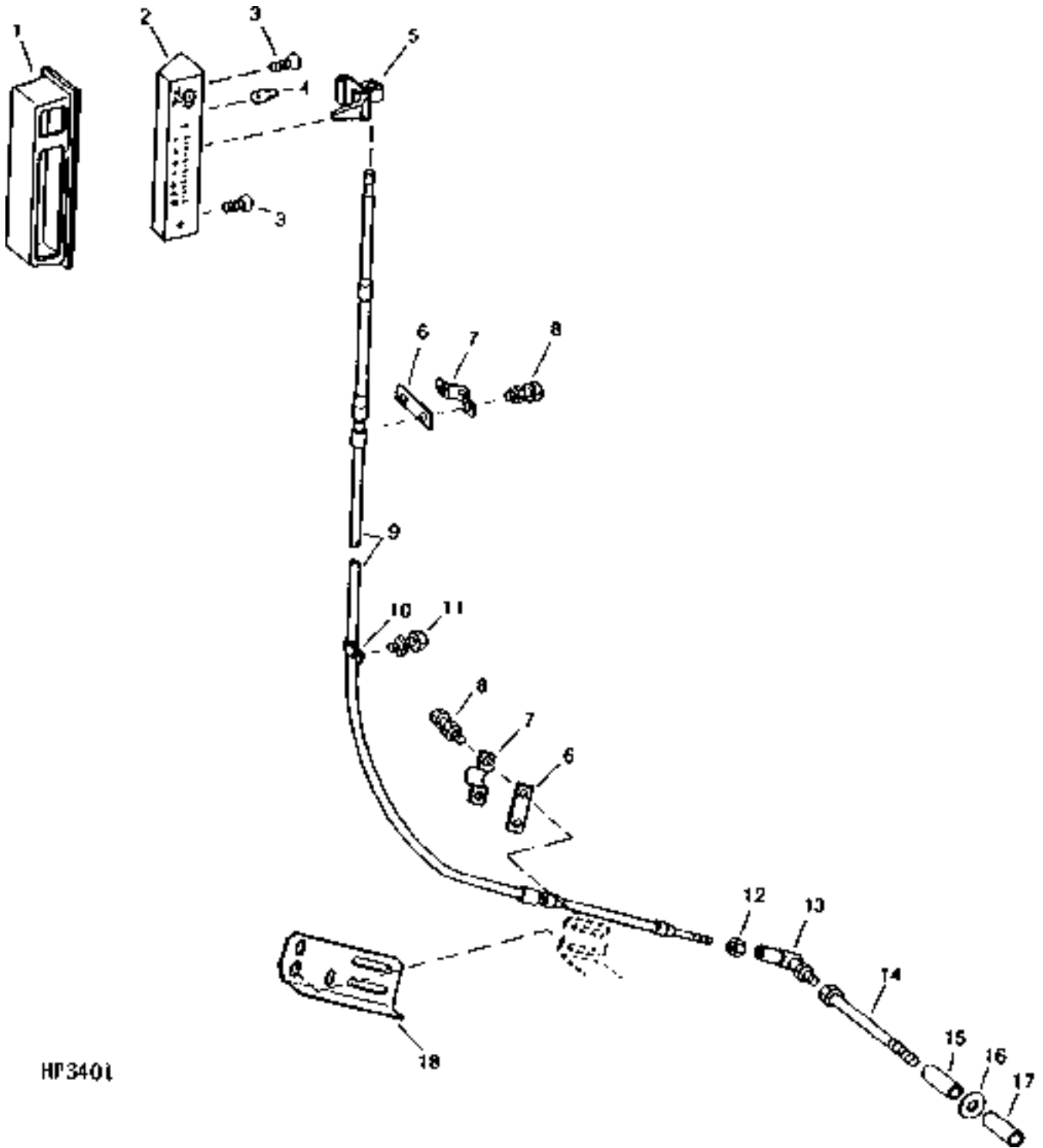
## THRESHING AND SEPARATION

### SPIKE TOOTH CONCAVE - CONTINUED

KEY	PART NO.	PART NAME	QTY	SERIAL NO.	REMARKS
1	H132541	SCREW	1		
2	28H1597	WASHER	1		
3	19M8060	SCREW	2		M20 X 45
4	H143610	EYEBOLT	2		
5	H146318	ADJUSTING STRAP	1		
6	AH135240	CAM	1		
7	14M7291	FLANGE NUT	4		M16
8	H134816	SPACER	1		
9	24H1351	WASHER	2	-5FEB96	9/16" X 1-1/2" X 0.164"
	24M7101	WASHER	2	5FEB96-	11 X 34 X 3 MM
10	H133633	SEAL	2		
11	14M7300	FLANGE NUT	4		M20
12	H137204	BUSHING	4		
13	AH127829	LINK	2		
14	H131986	COVER	1		LEFT-HAND
15	H137203	BOLT	2		
16	H131987	COVER	1		
17	H119642	EYEBOLT	1		
18	AH133157	CAM	1		
19	19M7819	SCREW	1		M12 X 90
20	28H2642	SPACER	1		
..	P5403H	TOOL	1		

## CONCAVE INDICATOR, CABLE AND BRACKETS

HP3401 -UN-01JAN94



# 5C4

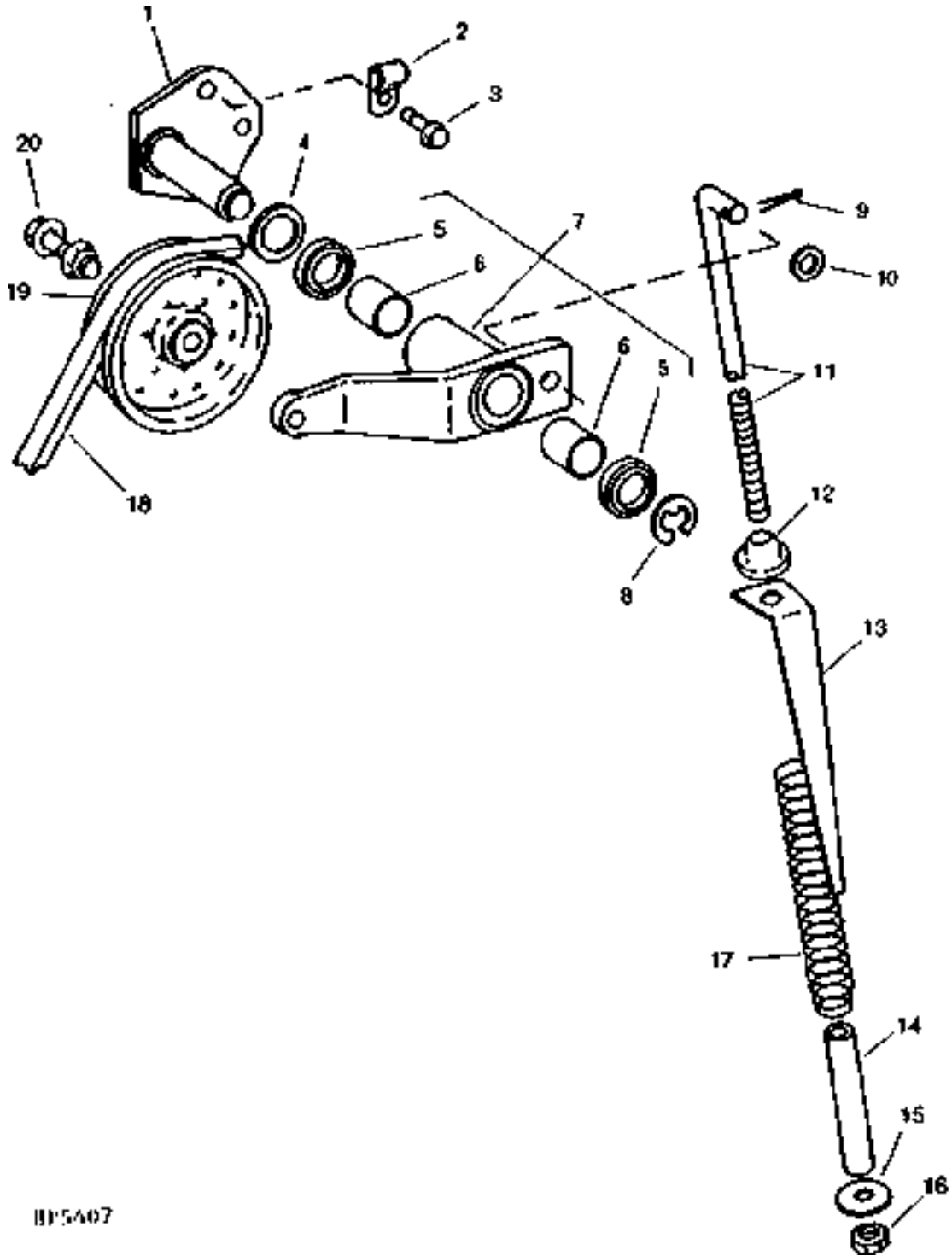
## THRESHING AND SEPARATION

### CONCAVE INDICATOR, CABLE AND BRACKETS - CONTINUED

KEY	PART NO.	PART NAME	QTY	SERIAL NO.	REMARKS
1	H128999	HOUSING	1		
2	AH141030	LENS	1		
3	H118166	SCREW	2		
4	AH114882	BULB	1	-29SEP7	
5	H129179	GAUGE	1		
6	H120801	STRAP	2		
7	H120800	CLAMP	2		
8	03M7166	BOLT	4		M5 X 16
	14M7297	NUT	4		M5
9	AH124573	CABLE	1		
10	M47566	CLIP	1		
11	19M7862	SCREW	1		M6 X 20
	14M7162	NUT	1		M6
12	14M7297	NUT	1		M5
13	AH129272	BALL JOINT	1		
14	H132541	SCREW	1		
15	28H2618	BUSHING	1		
	28H1597	WASHER	1		0.546" X 0.840" X 3/8" (SPIKE TOOTH ONLY)
16	24H1347	WASHER	1		17/32" X 2" X 0.194"
17	28H950	BUSHING	1		
	28H1601	BUSHING	1		(SPIKE TOOTH ONLY)
18	H132540	BRACKET	1		(SPIKE TOOTH ONLY)

# 5C5

## STRIPPER BEATER DRIVE IDLER HP5407 -UN-01JAN94



HP5407



# 5C6

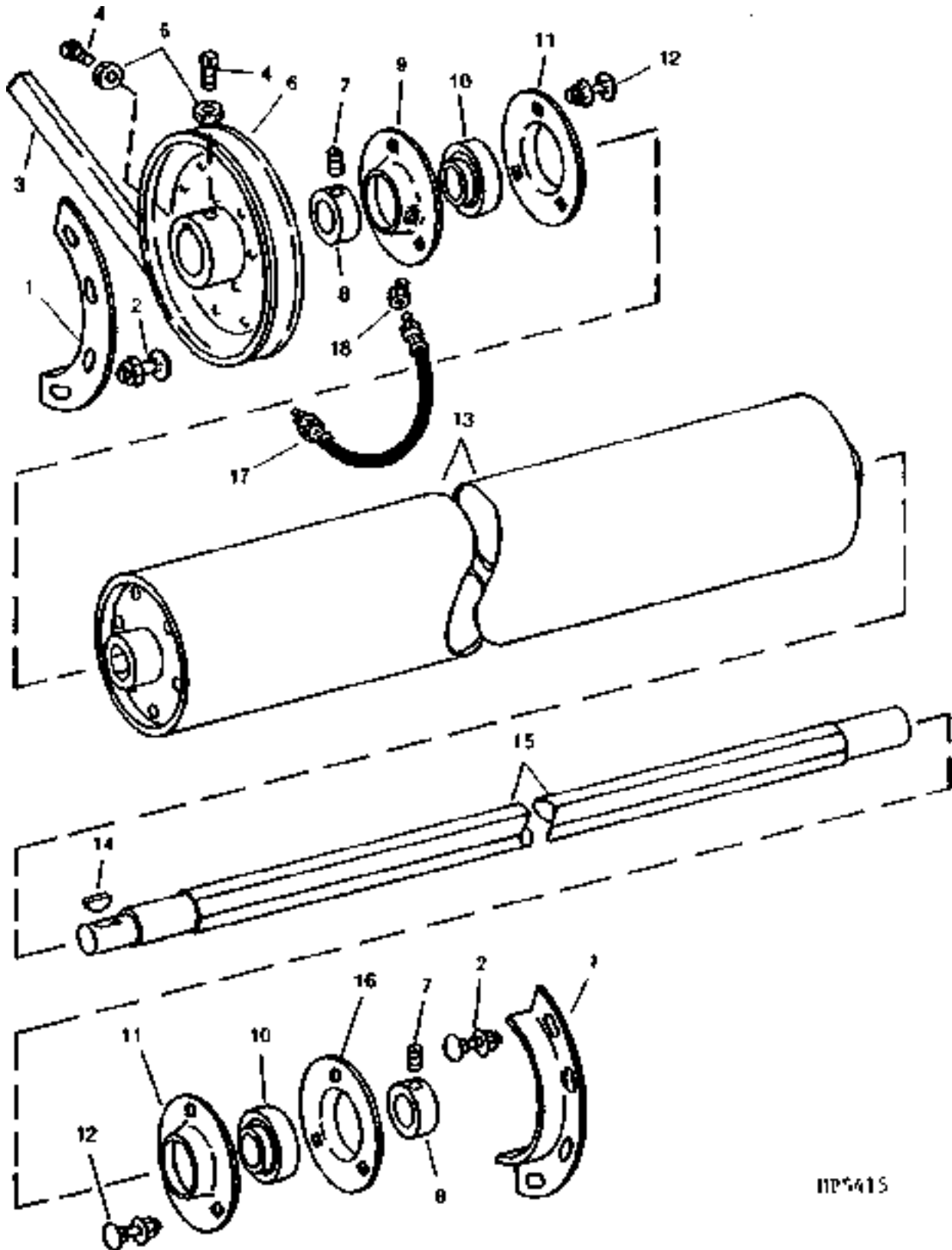
## THRESHING AND SEPARATION

### STRIPPER BEATER DRIVE IDLER - CONTINUED

KEY	PART NO.	PART NAME	QTY	SERIAL NO.	REMARKS
1	AH156051	SPRING PIN	1		(SUB FOR AH109197)
2	AH89557	CLIP	1		
3	19M7784	SCREW	3		M10 X 20
4	24M7091	WASHER	1		26 X 44 X 4 MM
5	AA5607R	SEAL	2		
6	H99147	BUSHING	2		(SUB H171061)
	H171061	BEARING	2		
7	AH134778	ARM	1		
8	P46402	SNAP RING	1		
9	11H211	COTTER PIN	1		1/8" X 3/4"
10	24M7047	WASHER	1		13 X 24 X 2.500 MM
11	H140159	HOOK BOLT	1		
12	H129207	PIVOT	1		
13	H135512	GAUGE	1		
14	TY22326	BULK HOSE	1		
15	24M7180	WASHER	1		13 X 37 X 3 MM
16	14M7275	NUT	2		M12
17	N165696	SPRING	1		
18	H139963	BELT	1		
19	AH93171	IDLER	1		
20	19M8306	SCREW	1		M12 X 50
	14M7299	FLANGE NUT	1		M12

# 5C7

STRIPPER BEATER  
HP5415 -UN-01JAN94



HP5415

# 5C8

## THRESHING AND SEPARATION

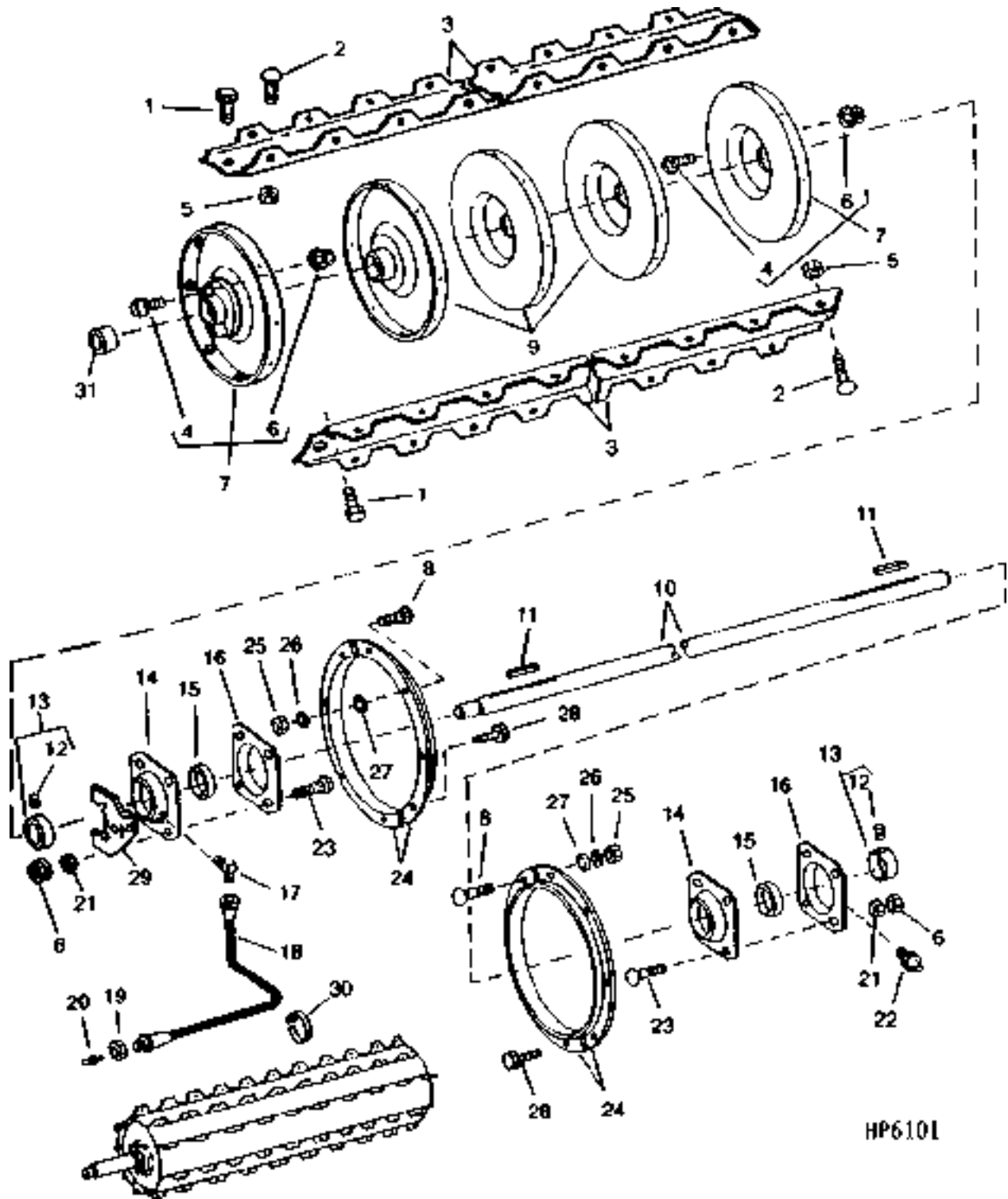
### STRIPPER BEATER - CONTINUED

KEY	PART NO.	PART NAME	QTY	SERIAL NO.	REMARKS
1	H140156	SEAL	2		
2	03M7184	BOLT	8	M8 X 20	
	14M7298	FLANGE NUT	8	M8	
3	H139963	BELT	1		
4	H138435	SET SCREW	2		
5	14M7274	NUT	2	M10	
6	AH130964	SHEAVE	1	(1" ID X 6.5" OD)	
7	22M7080	SET SCREW	2	M8 X 8	
8	AZ10045	ECCENTRIC LOCKING COLLAR	2		
9	H93864	PRESSED FLANGED HOUSING	1		
10	JD10285	BEARING CONE	2		
11	E76584	PRESSED FLANGED HOUSING	2	(SUB FOR N34367)	
12	03M7191	BOLT	6	M10 X 25	
	14M7296	FLANGE NUT	6	M10	
13	AH135063	TUBE	1		
14	26H22	SHAFT KEY	1	1/4" X 1"	
15	H140470	SHAFT	1		
16	AE46699	PRESSED FLANGED HOUSING	1	(SUB FOR AN50684)	
17	AH142000	HOSE	1	1/8" X 686 MM (27") X 1/8"	
18	JD7845	ELBOW FITTING	1		

# 5C9

THRESHING AND SEPARATION

BEATER, SHAFT AND DRIVE BELT  
HP6101 -UN-27JUN95



HP6101

# 5C10

## THRESHING AND SEPARATION

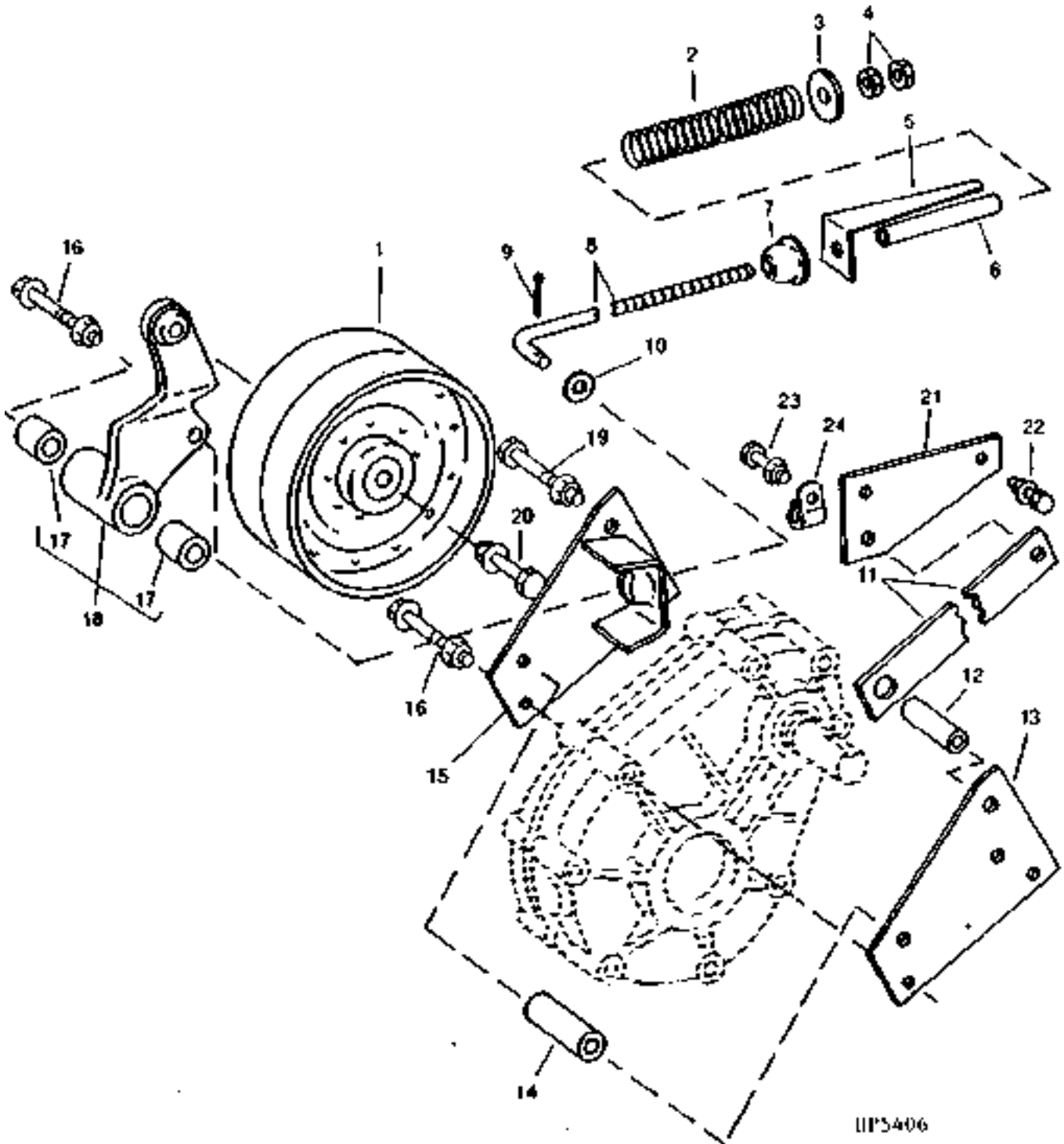
### BEATER, SHAFT AND DRIVE BELT - CONTINUED

KEY	PART NO.	PART NAME	QTY	SERIAL NO.	REMARKS
1	19M7784	SCREW	2		M10 X 20
2	03M7190	BOLT	68		M10 X 20
3	H154221	TINE	8		(SUB FOR H147267)
4	03M7201	BOLT	2		M12 X 45
5	14M7296	FLANGE NUT	68		M10
6	14M7299	FLANGE NUT	2		M12
7	AH128360	BEATER HEAD	2		
8	03M7185	BOLT	24		M8 X 25
9	AH128361	BEATER HEAD	3		
10	H146326	SHAFT	1		
11	.....	SHAFT KEY	1	-660713	10 X 8 X 50 MM (IN AH141142 KEY STOCK KIT) (CUT FROM H150270)
	49M4121	SHAFT KEY	2	660714-	
12	22H979	SET SCREW	1		3/8" X 3/8"
13	JD9201	ECCENTRIC LOCKING COLLAR	2		
14	H113625	PRESSED FLANGED HOUSING	2		
15	JD9434	BEARING	2		
16	H113626	PRESSED FLANGED HOUSING	2		
17	JD7845	ELBOW FITTING	2		L.H.
18	AH121009	HOSE	2	-650400	1/8" X 910 MM (35-3/4") X 1/8", L.H.
	AH142001	HOSE	2	650401-	1/8" X 1 041 MM (41") X 1/8"
19	E12379	NUT	2		L.H.
20	JD7759	LUBRICATION FITTING	2		L.H.
21	H143731	NUT	8		
22	JD7788	LUBRICATION FITTING	1		R.H.
23	03M7197	BOLT	8		M12 X 25
24	H130572	SEAL	4		
25	14M7298	FLANGE NUT	24		M8
26	12H303	LOCK WASHER	24		5/16"
27	24M7055	WASHER	16		8.400 X 16 X 1.600 MM
28	37M7058	SCREW	6		M8 X 20
29	H140134	BRACKET	1	655452-	
30	H140149	HOLD-DOWN CLIP	1	655452-	
31	H139922	BUSHING	1	655452-	

# 5C11

THRESHING AND SEPARATION

BEATER DRIVE BELT IDLER  
HP5406 -UN-01JAN94



HP5406

# 5C12

## THRESHING AND SEPARATION

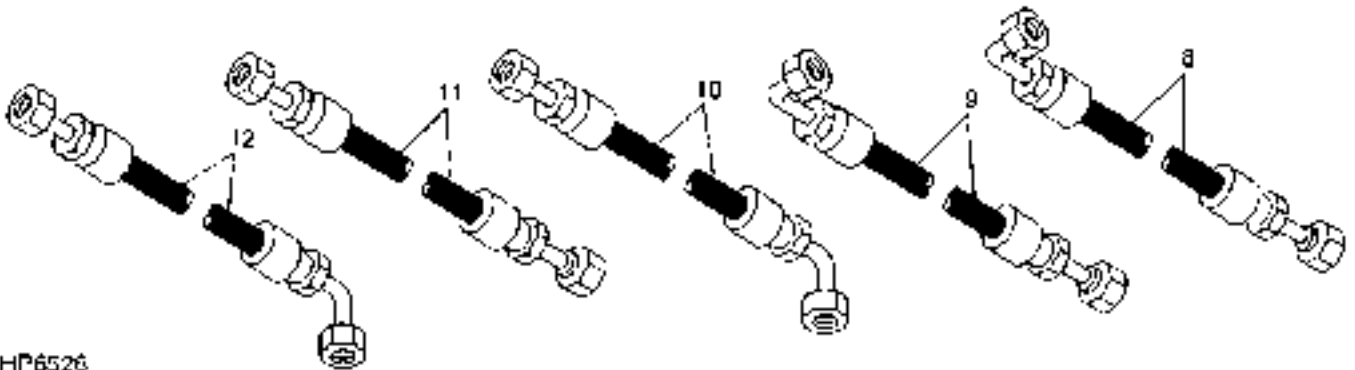
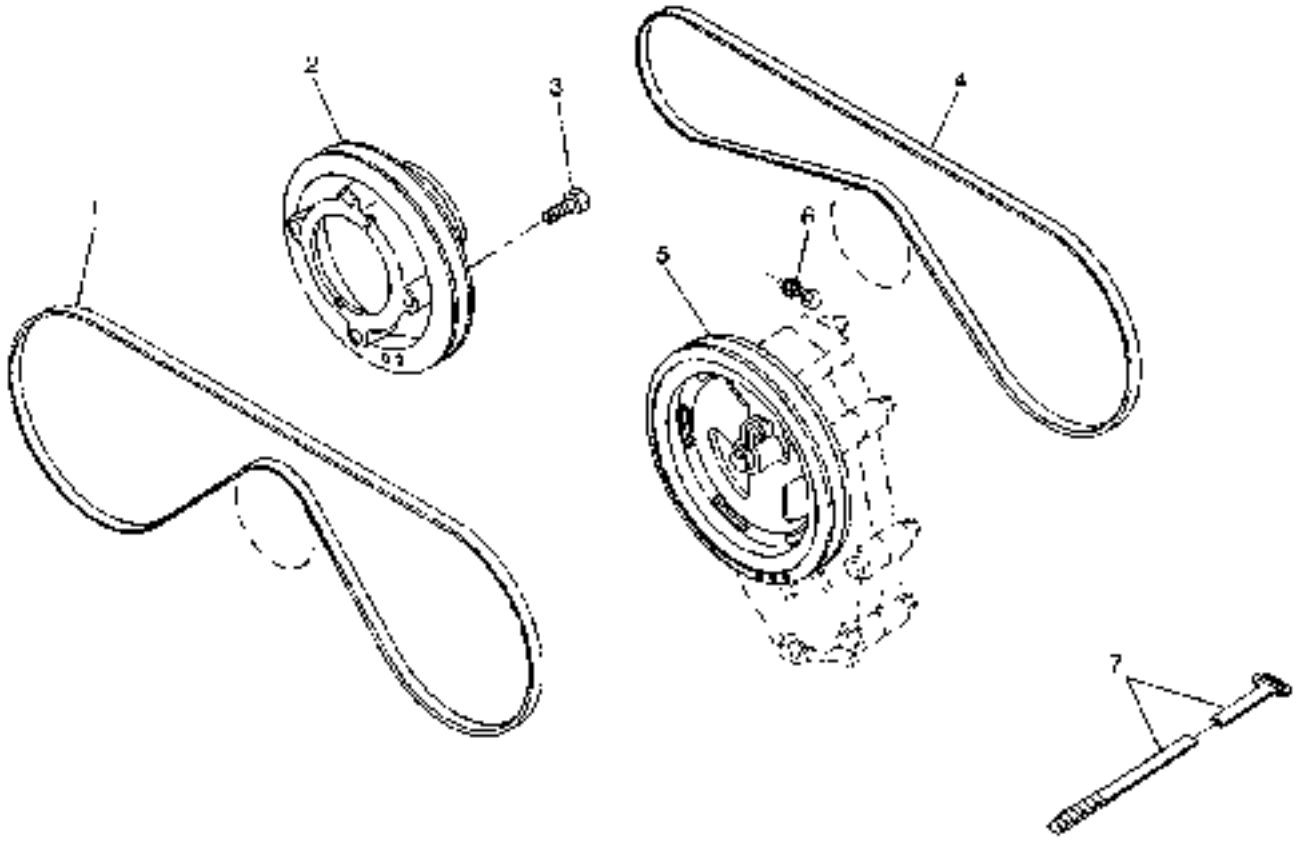
### BEATER DRIVE BELT IDLER - CONTINUED

KEY	PART NO.	PART NAME	QTY	SERIAL NO.	REMARKS
1	AH93318	IDLER	1		
2	E73522	COMPRESSION SPRING	1		
3	T20217	WASHER	1		
4	14M7275	NUT	2	M12	
5	H140944	GAUGE	1		(SUB FOR H114379)
6	TY22326	BULK HOSE	1		300 MM
7	H129207	PIVOT	1		
8	H118948	HOOK BOLT	1		
9	11M7021	COTTER PIN	1		4 X 25 MM
10	24M7047	WASHER	1		13 X 24 X 2.500 MM
11	H145394	ADJUSTING STRAP	1		
12	H147688	SLEEVE	1		
13	H145396	PLATE	1		
14	H139925	BUSHING	1		
15	AH139365	PLATE	1		
16	19M7810	SCREW	3	M10 X 80	
	14M7296	FLANGE NUT	3	M10	
17	H99147	BUSHING	2		(SUB H171061)
	H171061	BEARING	2		
18	AH134630	ARM	1		
19	19M7818	SCREW	1	M12 X 80	
	14M7299	FLANGE NUT	1	M12	
20	19M7817	SCREW	1	M12 X 70	
	14M7299	FLANGE NUT	1	M12	
21	H145395	PLATE	1		
22	19M8162	CAP SCREW	2	M10 X 40	
	14M7296	FLANGE NUT	2	M10	
23	19M7786	SCREW	1	M10 X 30	
	14M7296	FLANGE NUT	1	M10	
24	AH90990	CLIP	1		

# 5C13

THRESHING AND SEPARATION

DUAL SPEED BEATER DRIVE CONVERSION (OPTIONAL) 770/400 RPM  
HP6526 -UN-18JUL96



HP6526



# 5C14

THRESHING AND SEPARATION

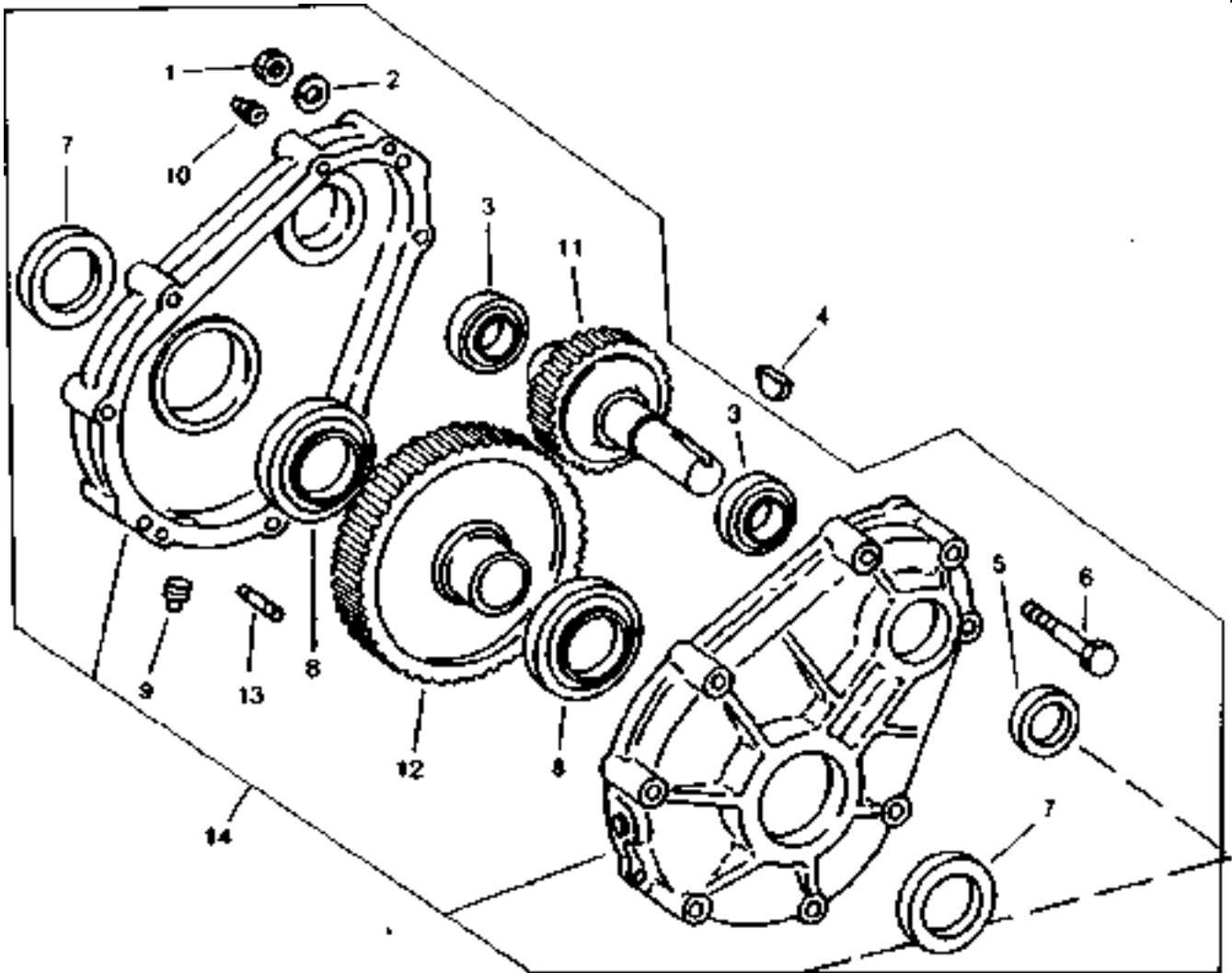
DUAL SPEED BEATER DRIVE CONVERSION (OPTIONAL) - CONTINUED  
700/400 RPM

KEY	PART NO.	PART NAME	QTY	SERIAL NO.	REMARKS
1	N121116	BELT	1		
2	H153953	SHEAVE	1		
3	19M7820	SCREW	4	M12 X 100	
4	E16774	BELT	1		
5	AH147588	SHEAVE	1		
6	19M7805	SCREW	1	M10 X 45	
	14M7296	FLANGE NUT	1	M10	
7	H77698	TIE BAND	10		
8	AH147654	HYDRAULIC HOSE	1		
9	AH147653	HYDRAULIC HOSE	1		
10	AH147652	HYDRAULIC HOSE	1		
11	AH147651	HYDRAULIC HOSE	1		
12	AH147650	HYDRAULIC HOSE	1		

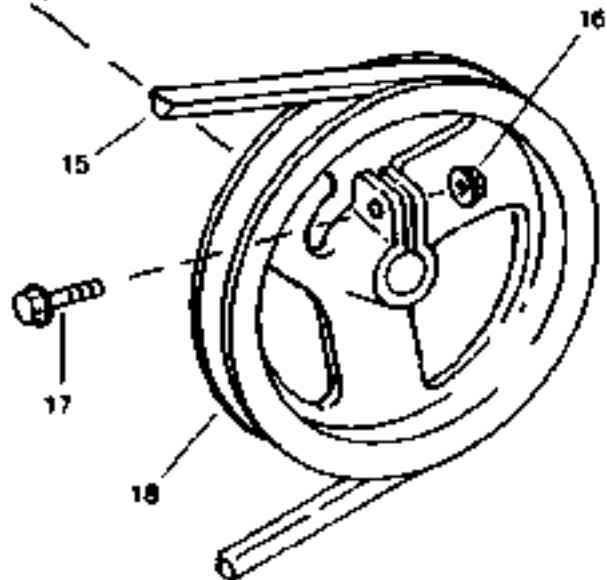
# 5C15

THRESHING AND SEPARATION

BEATER GEARCASE AND SHEAVE  
HP5405 -UN-01JAN94



11P5405



# 5C16

THRESHING AND SEPARATION

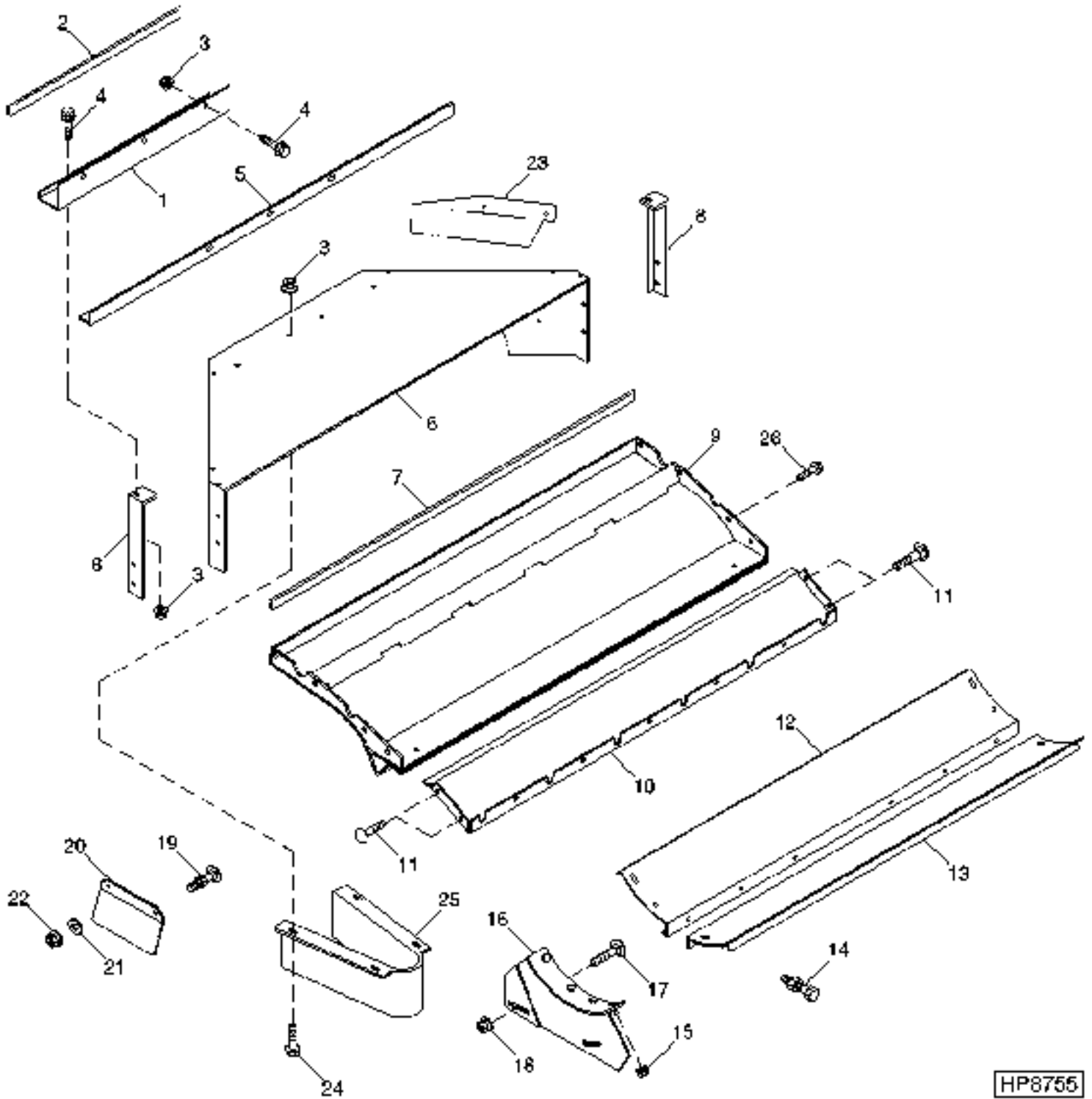
## BEATER GEARCASE AND SHEAVE - CONTINUED

KEY	PART NO.	PART NAME	QTY	SERIAL NO.	REMARKS
1	14M7274	NUT	8	M10	
2	12M7066	LOCK WASHER	8	10.200 MM	
3	JD7681	BALL BEARING	2		
4	26M4228	SHAFT KEY	1	8 X 28 MM (0.315" X 1.102")	
5	DE17852	SEAL	1		
6	19M7328	CAP SCREW	8	M10 X 70	
7	DE17853	SEAL	2		
8	DE17851	BALL BEARING	2		
9	15H255	PIPE PLUG	2		
10	15H253	PIPE PLUG	1		
11	.....	GEAR	1	30 TOOTH, WITH GEARCASE ONLY	
12	.....	GEAR	1	54 TOOTH, WITH GEARCASE ONLY	
13	44M7086	DOWEL PIN	2		
14	AH140944	GEAR CASE	1	COMPLETE	
15	H143700	BELT	1		
16	14M7296	FLANGE NUT	2	M10	
17	19M7805	SCREW	2	M10 X 45	
18	AH141052	PULLEY	1		

# 5C17

THRESHING AND SEPARATION

BEATER COVER  
HP8755 -UN-29JUL99



HP8755

# 5C18

## THRESHING AND SEPARATION

### BEATER COVER - CONTINUED

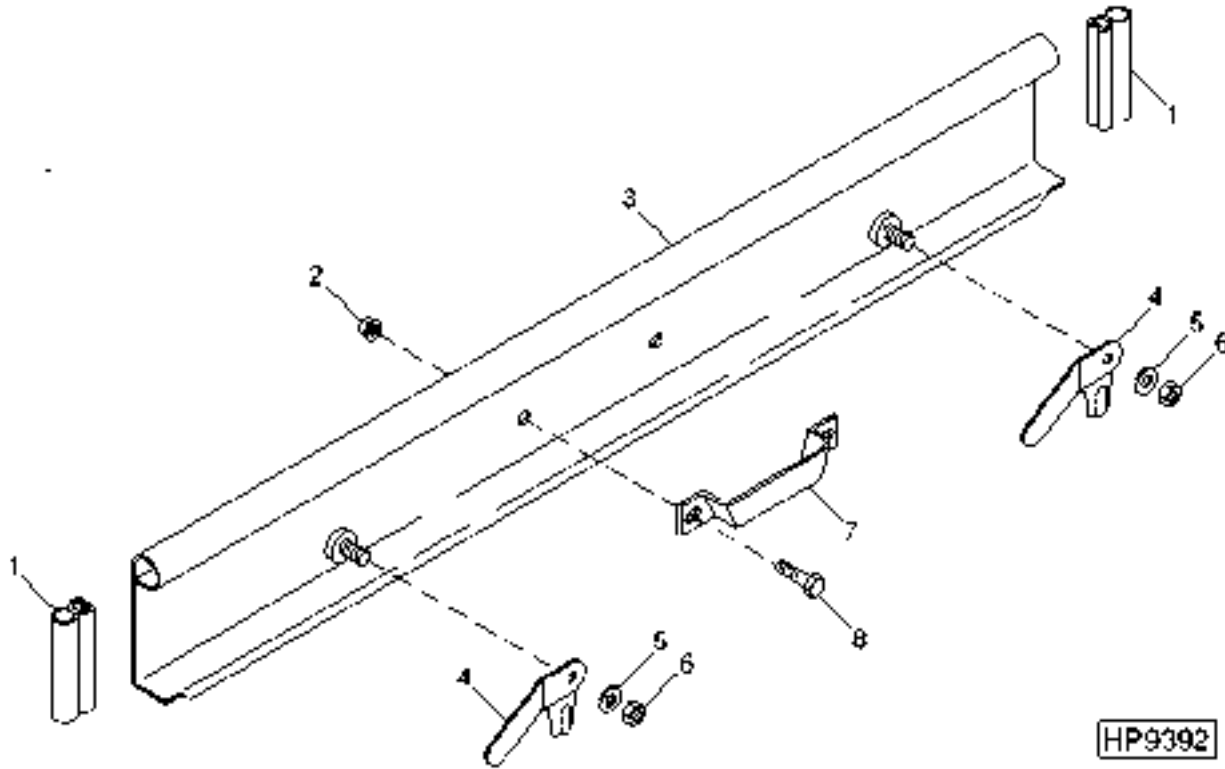
KEY	PART NO.	PART NAME	QTY	SERIAL NO.	REMARKS
1	H143586	CHANNEL	1		
2	AH131965	ISOLATOR	1		
3	14M7296	FLANGE NUT	5	M10	
4	19M7784	SCREW	5	M10 X 20	
5	H143495	ANGLE	1		
6	AH137419	COVER	1		
7	AH140044	ISOLATOR	1		
8	H145819	SUPPORT	2		
9	AH139683	COVER	1		
10	AH134774	COVER	1		
11	37M7058	SCREW	2	M8 X 20	
12	H146695	COVER	1		
13	AH140576	COVER	1		
14	19M7868	SCREW	AR	M8 X 30	
15	14M7298	FLANGE NUT	AR	M8	
16	AH140578	BRACKET	1	R.H.	
	AH140579	BRACKET	1	L.H.	
17	03M7185	BOLT	AR	M8 X 25	
18	14M7298	FLANGE NUT	AR	M8	
19	03M7251	BOLT	6	M6 X 12	
20	H146166	LEAF SPRING	1		
21	24H1288	WASHER	6	9/32" X 1" X 1/16"	
22	14M7303	FLANGE NUT	6	M6	
23	H146023	LEAF SPRING	1	R.H.	
	H146022	LEAF SPRING	1	L.H.	
24	19M7784	SCREW	6	-670400 M10 X 20	
25	H145632	CROP DIVIDER	1	-670400	
26	H145773	SELF-LOCKING SCREW	5		(3 ON L.H. SIDE; 2 ON R.H. SIDE)

# 5C19

THRESHING AND SEPARATION

## SHOE GRAIN SUPPLY AUGER CLEANOUT DOOR, HANDLE AND LATCHES

HP9392 -UN-06DEC99



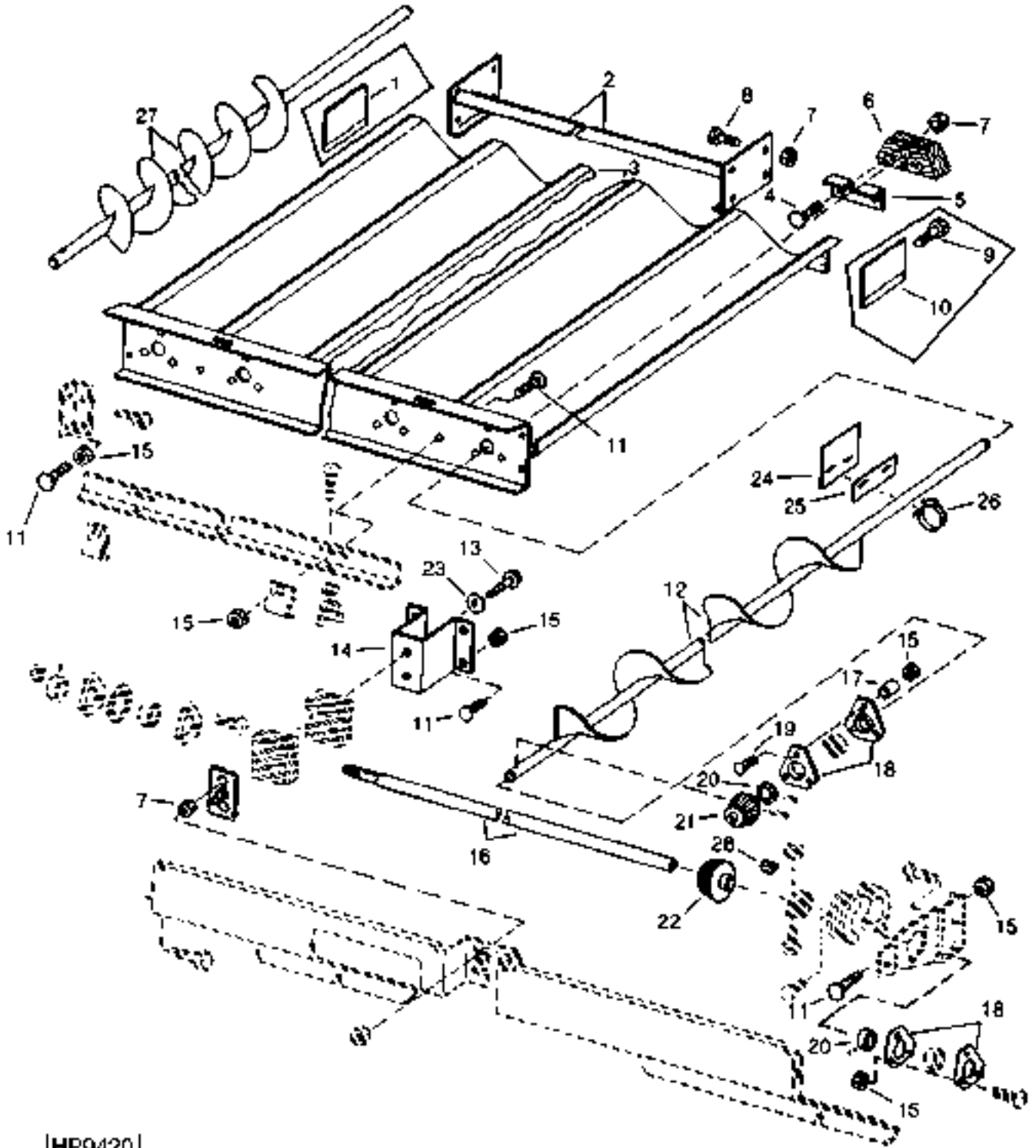
KEY	PART NO.	PART NAME	QTY	SERIAL NO.	REMARKS
1	H131108	ISOLATOR	2		
2	14M7298	FLANGE NUT	2	M8	
3	AH126119	DOOR	1		
4	H127532	HANDLE	2		
5	24M7207	WASHER	2	8.400 X 24 X 2 MM	
6	14M7396	LOCK NUT	2	M8	
7	H85184	HANDLE	1		
8	19M7865	SCREW	2	M8 X 16	

MEMORANDA

# 5C20

THRESHING AND SEPARATION

SHOE GRAIN SUPPLY AUGERS AND HOUSING  
HP9420 -UN-10DEC99



|HP9420|



# 5C21

## THRESHING AND SEPARATION

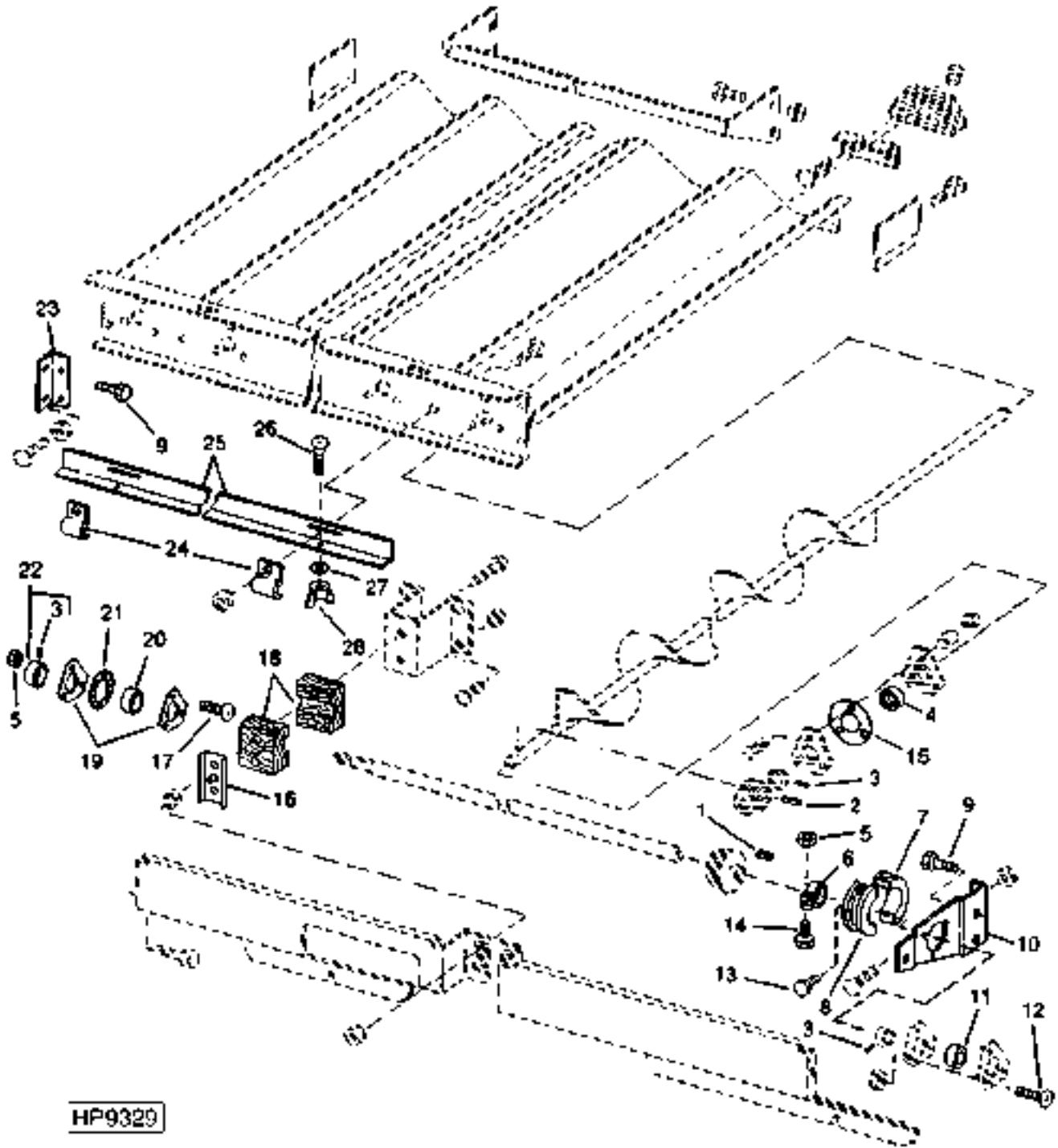
### SHOE GRAIN SUPPLY AUGERS AND HOUSING - CONTINUED

KEY	PART NO.	PART NAME	QTY	SERIAL NO.	REMARKS
1	H134029	DEFLECTOR	1	-665400	
2	AH141647	SUPPORT	1		(SUB FOR AH141059)
3	AH130123	TROUGH	1	-665400	
4	AH146655	TROUGH	1	665401-	
	03M7216	BOLT	AR	-665415	M8 X 50
	03M7267	BOLT	AR	665416-	M8 X 80
5	H142189	STRIPPER	AR		
6	H142188	BEARING	AR		ADD GREASE TO BLOCK BEFORE ASSEMBLY
	AH139342	BEARING KIT	1		EXTENSIVE WEAR KIT ( 7 AUGER BEARINGS )
7	14M7396	LOCK NUT	17		M8
8	19M7867	SCREW	4		M8 X 25
9	37M7090	SCREW	4	-665400	M6 X 16
10	H134028	DEFLECTOR	1	-665400	
11	03M7183	BOLT	AR		M8 X 16
12	AH130425	AUGER	3		L.H. FLIGHTING
13	19M8039	SCREW	2		M8 X 80
14	H91205	BRACKET	1		
15	14M7298	FLANGE NUT	25		M8
16	H135422	DRIVE SHAFT	1		
17	28H1720	BUSHING	AR		
18	H103264	PRESSED FLANGED HOUSING	14		
19	03M7189	BOLT	AR		M8 X 45
20	JD8554	ECCENTRIC LOCKING COLLAR	7		
21	H137215	GEAR	6		
22	H137215	GEAR	6		
23	24H1292	WASHER	2		11/32" X 3/4" X 0.120"
24	H147656	SLAT	2		ON TWO CENTER AUGERS, 180 DEGREES APART
25	H147657	STRAP	2		ON TWO CENTER AUGERS
26	TY22467	CLAMP	4		(SUB FOR AR21839)
27	AH130424	AUGER	3		R.H. FLIGHTING
28	26M4226	SHAFT KEY	1		5 X 19 MM
..	TY6333	GREASE	1		

# 5C22

THRESHING AND SEPARATION

SHOE GRAIN SUPPLY AUGERS AND HOUSING  
HP9329 -UN-23NOV99



HP9329

# 5C23

## THRESHING AND SEPARATION

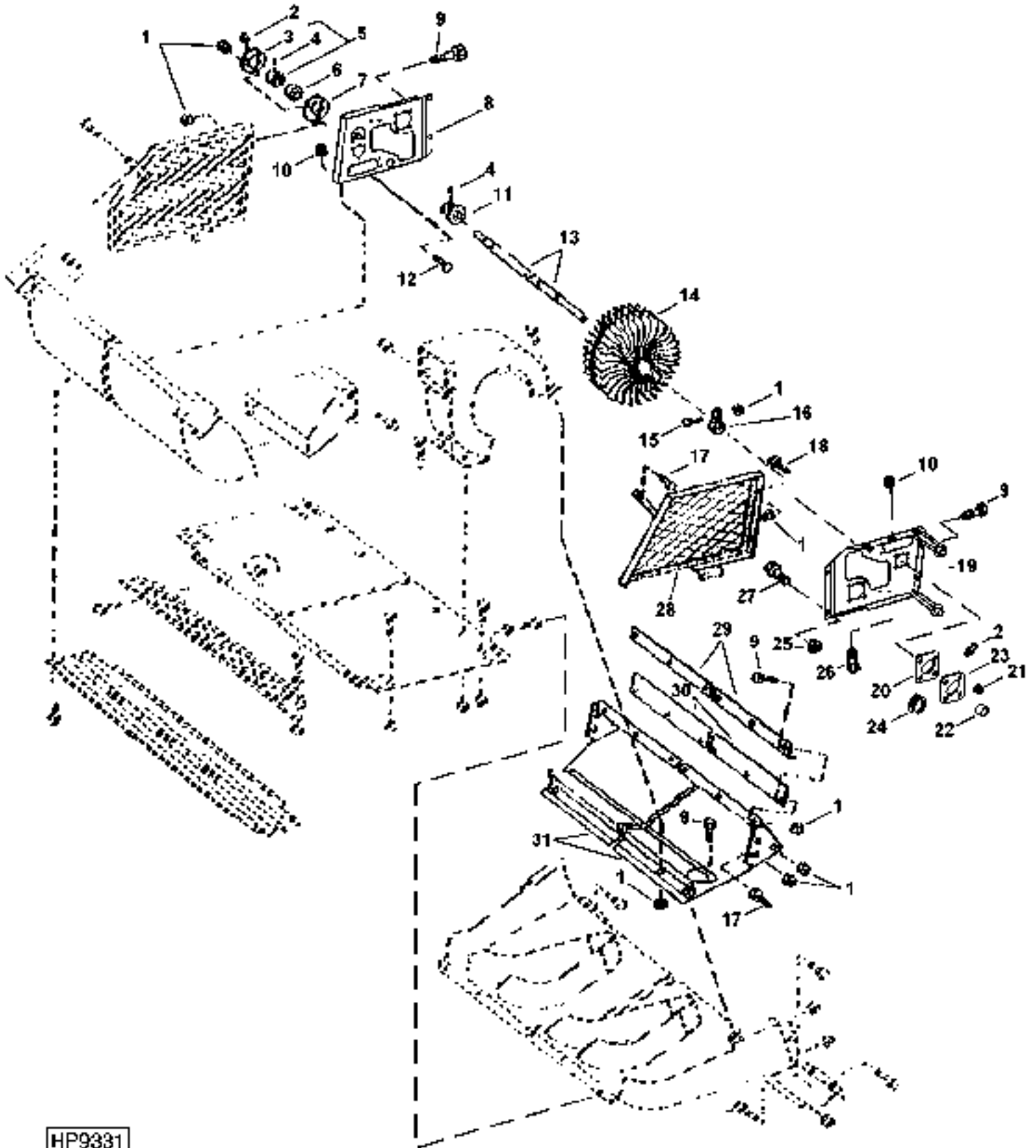
### SHOE GRAIN SUPPLY AUGERS AND HOUSING - CONTINUED

KEY	PART NO.	PART NAME	QTY	SERIAL NO.	REMARKS
1	.....	SHAFT KEY	AR		
2	34H119	SPRING PIN	AR		
3	.....	SET SCREW	1		
4	JD9273	BALL BEARING	AR		
5	14M7296	FLANGE NUT	10		M10
6	H145112	CLAMP	7		
7	H104795	ACTUATOR	1		
8	H104796	ACTUATOR	1		
9	19M7866	SCREW	4		M8 X 20
10	H127524	BRACKET	1		
11	JD8665	BALL BEARING	1		
12	03M7184	BOLT	3		M8 X 20
13	21H1419	SCREW	1		0.190" X 1"
14	19M7572	CAP SCREW	AR		M10 X 45
15	H36155	SHIM	1	660495-	0.762 MM
16	AH142370	LUBRICATION FITTING	1		(SUB FOR JD7768, JD7767 OR H83089)
17	03M7191	BOLT	3		M10 X 25
18	H135475	BEARING	2		
19	E10018	PRESSED FLANGED HOUSING	2		
20	AH129451	BALL BEARING	1		
21	H102533	SHIM	1		
22	AH129452	ECCENTRIC LOCKING COLLAR	1		
23	H127525	ANGLE	1		
24	H94167	CLAMP	2		
25	H134025	SHEET	1		
26	03M7221	BOLT	2		M6 X 16
27	24M7139	WASHER	2		6.400 X 18 X 1.600 MM
28	14M7019	WING NUT	2		M6
..	TY6333	GREASE	1		

# 5C24

THRESHING AND SEPARATION

CLEANING FANS AND SHROUDS  
HP9331 -UN-22NOV99



HP9331

# 5C25

## THRESHING AND SEPARATION

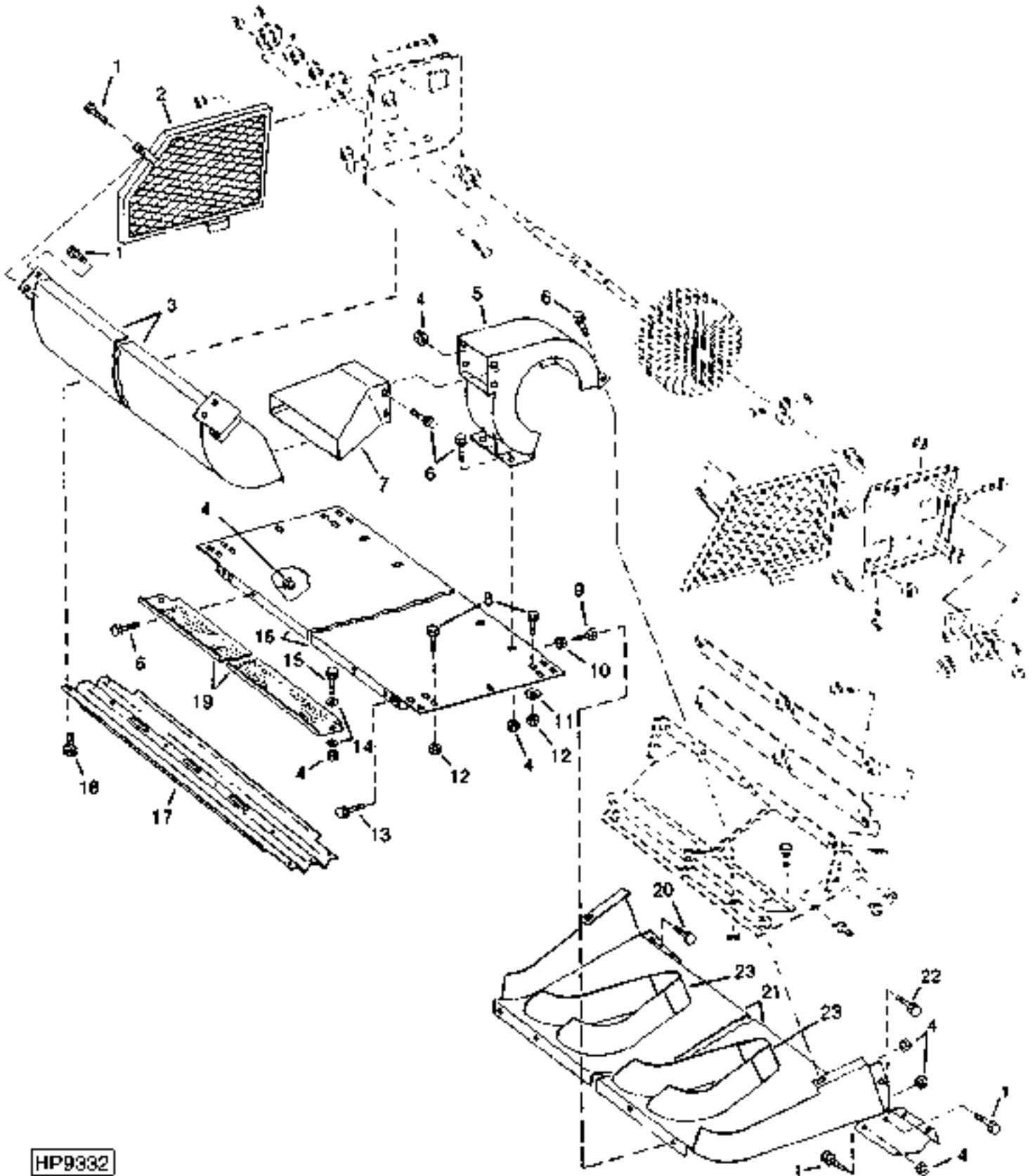
### CLEANING FANS AND SHROUDS - CONTINUED

KEY	PART NO.	PART NAME	QTY	SERIAL NO.	REMARKS
1	14M7298	FLANGE NUT	AR	M8	
2	JD7788	LUBRICATION FITTING	2	45 DEGREE	
3	AE26118	PRESSED FLANGED HOUSING	1		
4	22M7027	SET SCREW	2	M6 X 16	
5	AZ10044	ECCENTRIC LOCKING COLLAR	1		
6	JD9490	BALL BEARING	1		
7	N52258	PRESSED FLANGED HOUSING	1		
8	H150091	BRACKET	1	(SUB FOR H134213 OR H146754)	
9	19M7865	SCREW	AR	M8 X 16	
10	14M7400	LOCK NUT	4	M10	
11	H122372	WHEEL	2		
12	03M7185	BOLT	3	M8 X 25	
13	H135396	SHAFT	1		
14	H130355	ROTOR	4		
15	03M7189	BOLT	8	-670517 M8 X 45	
	03M7216	BOLT	8	670518- M8 X 50	
16	H130695	CLAMP	8	(SUB FOR H144467)	
17	19M7867	SCREW	AR	M8 X 25	
18	03M7198	BOLT	4	M12 X 30	
19	AH149328	BRACKET	1	(INCLUDES H150092) (SUB FOR AH131319, AH140620 OR AH144079) L.H.	
	H150092	BRACKET	1	L.H.	
20	H113625	PRESSED FLANGED HOUSING	1		
21	14M7299	FLANGE NUT	AR	M12	
22	AL14674	ECCENTRIC LOCKING COLLAR	1		
23	H113626	PRESSED FLANGED HOUSING	1		
24	AH139297	BALL BEARING	1		
25	14M7396	LOCK NUT	AR	M8	
26	19M7898	SCREW	4	-665400 M10 X 130	
	19M7944	SCREW	4	665401- M10 X 120	
27	19M7803	SCREW	4	M8 X 70	
28	AH130988	SHIELD	4	L.H.	
29	H134308	REINFORCEMENT	1		
30	H133081	SEAL	1		
31	AH128313	AIR DUCT	1		
..	<b>BH80129</b>	<b>COMPLETE GOODS/SHIP. BUNDLE</b>	<b>1</b>	<b>CLEANING FAN SHIELDS</b>	

# 5D1

## CLEANING FAN AND SHROUDS

HP9332 -UN-22NOV99



HP9332

# 5D2

## THRESHING AND SEPARATION

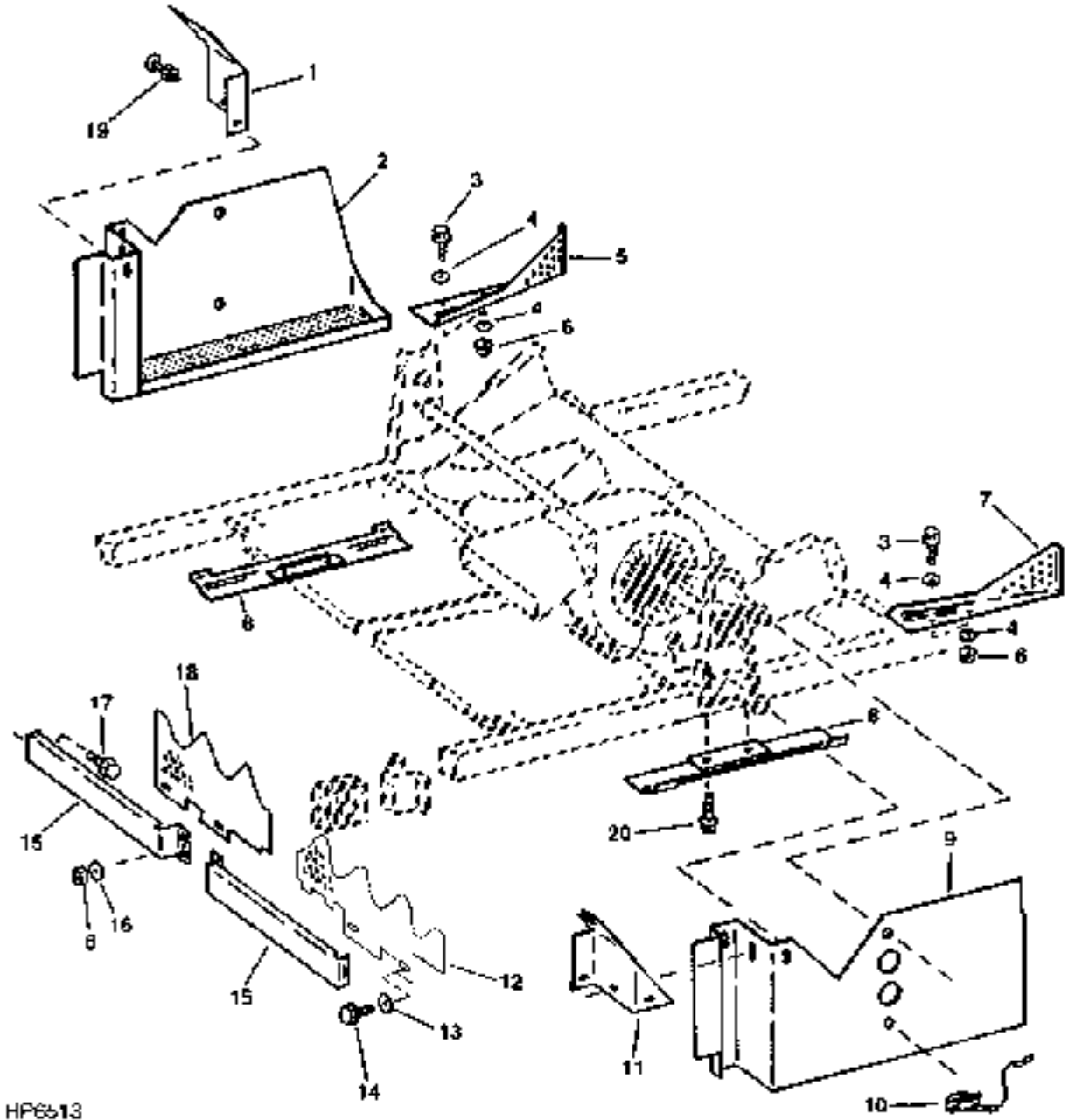
### CLEANING FANS AND SHROUDS - CONTINUED

KEY	PART NO.	PART NAME	QTY	SERIAL NO.	REMARKS
1	19M7867	SCREW	AR		M8 X 25
2	AH127726	SHIELD	1		R.H. (FOR GRAIN ONLY)
3	AH126214	AIR DUCT	1		
4	14M7298	FLANGE NUT	AR		M8
5	AH163762	HOUSING	4		(SUB FOR AH125692 AND AH128618)
6	19M7865	SCREW	AR		M8 X 16
7	AH163762	HOUSING	4		(SUB FOR AH128618 AND AH125692)
8	19M7818	SCREW	AR		M12 X 80
9	19M7866	SCREW	AR		M8 X 20
10	14M7396	LOCK NUT	AR		M8
11	28H2611	SPACER	18		
12	14M7299	FLANGE NUT	AR		M12
13	19M7789	SCREW	4		M12 X 30
14	24M7207	WASHER	4		8.400 X 24 X 2 MM
15	19M7868	SCREW	2		
16	AH149879	SUPPORT	1		(SUB FOR AH128307)
17	H134996	PLATE	1	-665690	(SUB H157282) (GRAIN ONLY)
	H137389	PLATE	1	655542-	(RICE)
	H157282	PLATE	1	665691-	(GRAIN ONLY)
18	19M7898	SCREW	4		M10 X 130
19	H144558	SHIELD	1		(GRAIN ONLY)
20	19M8039	SCREW	AR		M8 X 80
21	AH130477	AIR DUCT	1		
22	19M7800	SCREW	2		
23	AH138384	MOUNTING PARTS	1		CONTAINS THREE COVERS
..	<b>BH80129</b>	<b>COMPLETE GOODS/SHIP. BUNDLE</b>	<b>1</b>		<b>CLEANING FAN SHIELDS</b>

# 5D3

## CLEANING FAN INTAKE SHIELDS (OPTIONAL)

HP6513 -UN-15JUL96



HP6513



# 5D4

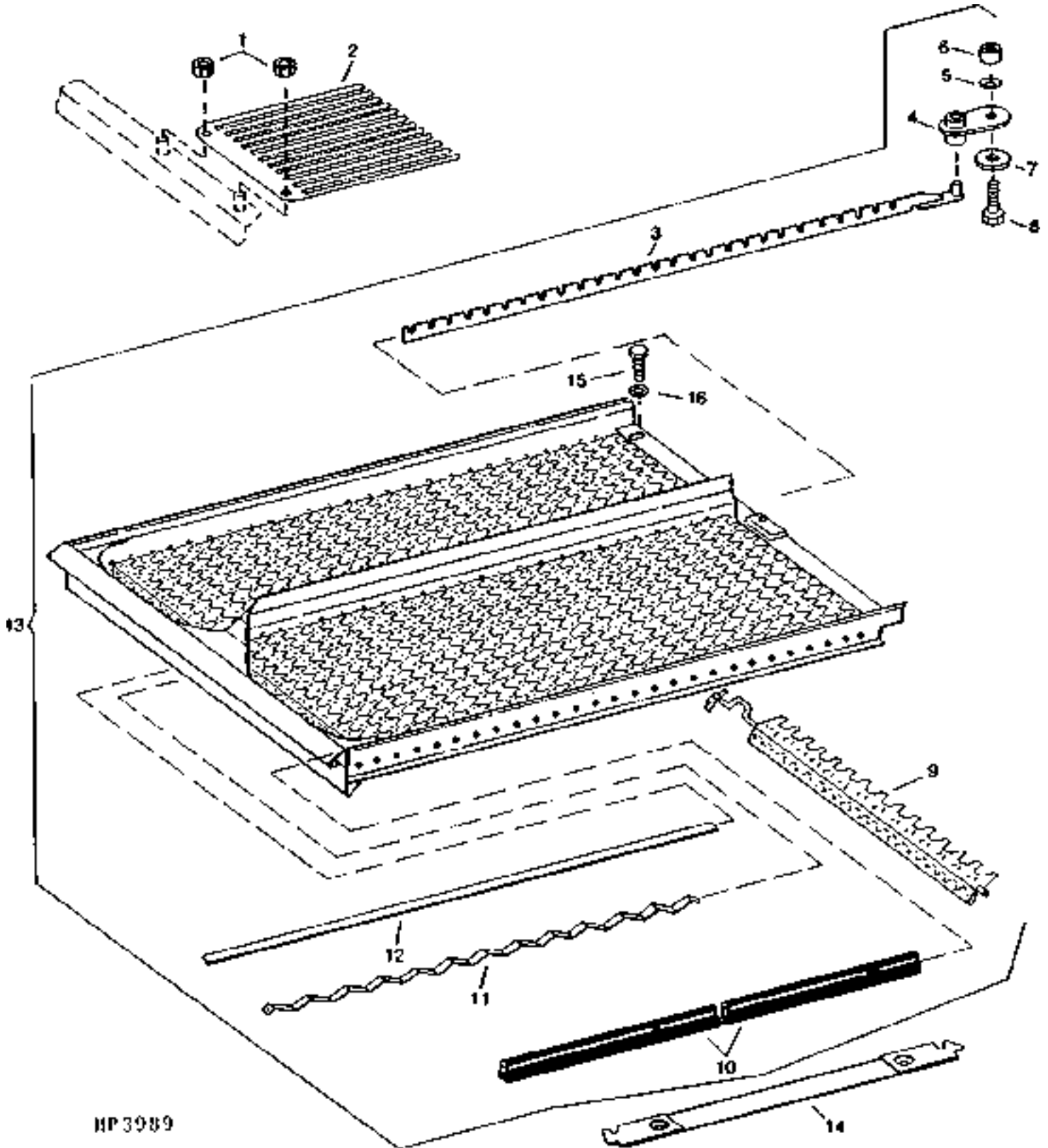
THRESHING AND SEPARATION

**CLEANING FAN INTAKE SHIELDS (OPTIONAL) - CONTINUED**

KEY	PART NO.	PART NAME	QTY	SERIAL NO.	REMARKS
1	H144556	SHIELD	1	R.H.	
2	AH138374	SHIELD	1	R.H.	
3	19M7801	SCREW	2	M8 X 60	
4	24M7207	WASHER	4	8.400 X 24 X 2 MM	
5	H145950	SHIELD	1	R.H.	
6	14M7298	FLANGE NUT	4	M8	
7	H145949	SHIELD	1	L.H.	
8	AH132356	CLIP	2		
9	AH138375	SHIELD	1	L.H.	
10	AH135290	QUICK LOCK PIN	2		
11	H144557	SHIELD	1	L.H.	
12	H148361	SHIELD	1	(SUB FOR H145899) L.H.	
13	24M7178	WASHER	4	10.500 X 30 X 2.500 MM	
14	37M7086	SCREW	4	M10 X 20, SELF-TAPPING	
15	H134681	SHIELD	2	(SUB H151897)	
	H151897	SHIELD	2		
16	24M7055	WASHER	2	8.400 X 16 X 1.600 MM	
17	19M7866	SCREW	2	M8 X 20, (INTO WELDNUT)	
18	H148362	SHIELD	1	(SUB FOR H145900) R.H.	
19	03M7183	BOLT	6	M8 X 16	
	14M7298	FLANGE NUT	6	M8	
20	19M7898	SCREW	4	M10 X 130	
..	<b>BH79773</b>	<b>COMPLETE GOODS/SHIP. BUNDLE</b>	<b>1</b>	<b>AXLE TRASH SHIELDS</b>	

# 5D5

PRECLEANING CHAFFER  
(-655400)  
HP3989 -UN-01JAN94



HP 3989

# 5D6

## THRESHING AND SEPARATION

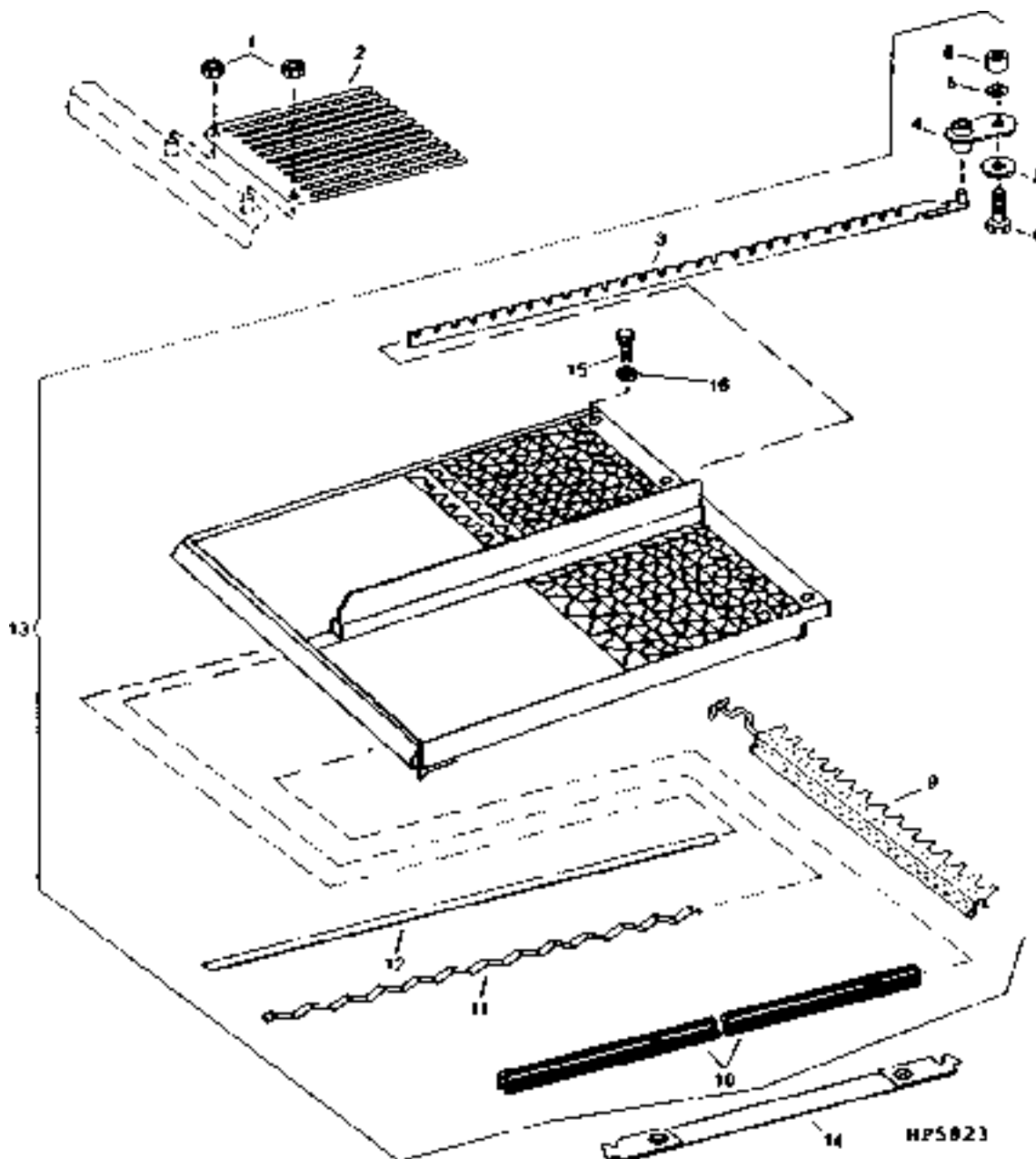
### PRECLEANING CHAFFER - CONTINUED ( -655400)

KEY	PART NO.	PART NAME	QTY	SERIAL NO.	REMARKS
1	14M7396	LOCK NUT	AR	M8	
2	H132160	FINGER	AR	(12 FINGER)	
	H132161	FINGER	AR	(15 FINGER)	
3	AH130186	STRIP	1	(12 FINGER)	
4	AH122080	LINK	1		
5	H126934	WASHER	2		
6	H126932	NUT	1		
7	H126933	WASHER	1		
8	H110178	SCREW	1		
9	AH130185	LOUVER	26	GENERAL PURPOSE LOUVER	
	AH127465	LOUVER	26	DEEP TOOTH LOUVER	
10	AH140044	ISOLATOR	2	(SUB FOR AH127477)	
11	H132291	LEAF SPRING	2		
12	H132288	STRIP	2		
13	AH149545	PRESCREENER	2	(SUB FOR AH130151 OR AH143337) GENERAL PURPOSE LOUVER	
	AH149549	PRESCREENER	2	(SUB FOR AH130154 OR AH148511) DEEP TOOTH LOUVER	
	AH127871	CHAFFER	2	STEP PAN SURFACE, NON-PERFORATED	
14	H149997	GRIP	1	(SUB FOR AH131213)	
15	19M7785	SCREW	3	M10 X 25	
16	24H1308	WASHER	3	13/32" X 1" X 0.134"	

# 5D7

## PRECLEANING CHAFFER

(655401- )  
HP5823 -UN-01JAN94



# 5D8

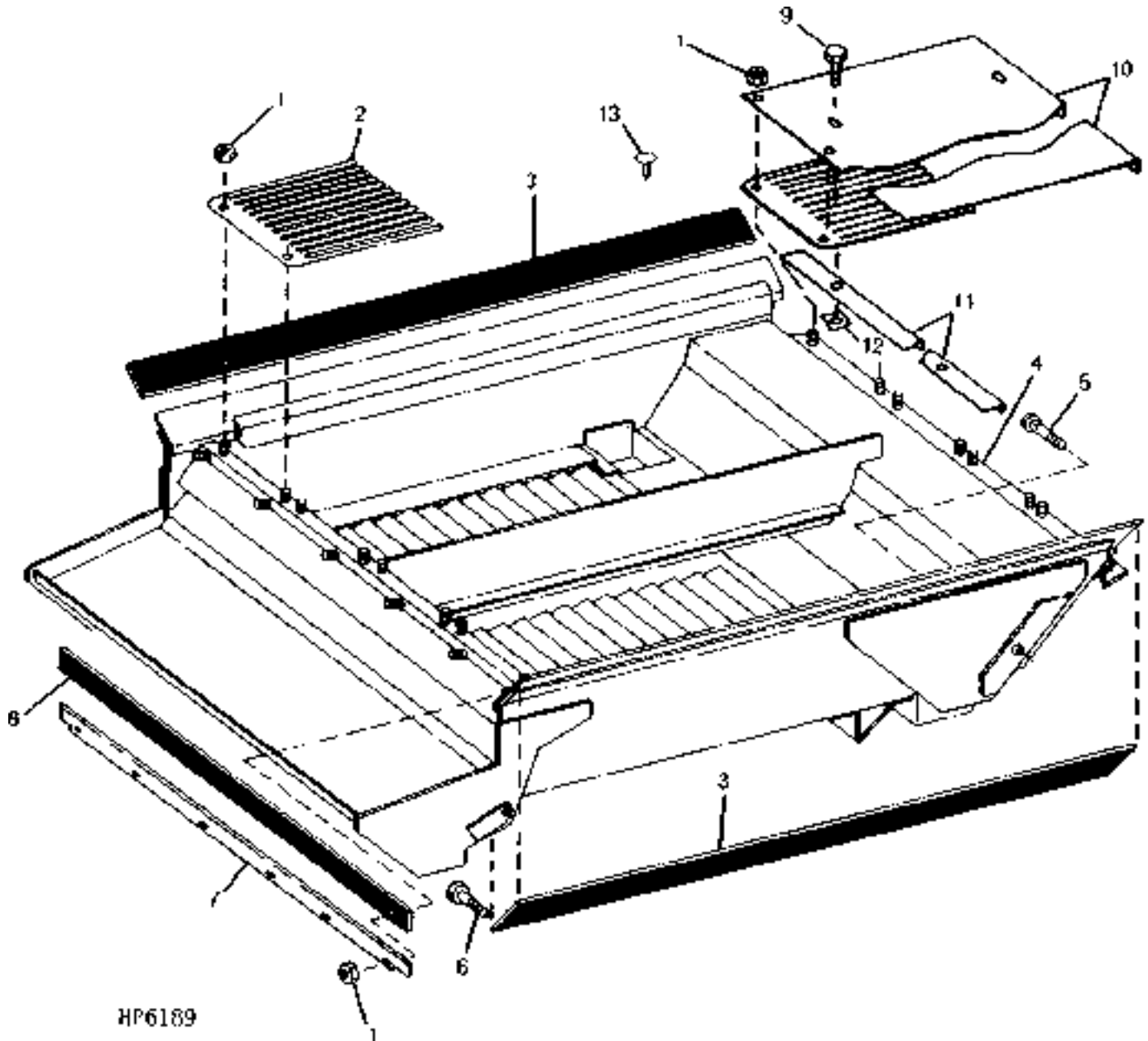
## THRESHING AND SEPARATION

### PRECLEANING CHAFFER - CONTINUED (655401- )

KEY	PART NO.	PART NAME	QTY	SERIAL NO.	REMARKS
1	14M7396	LOCK NUT	AR	M8	
2	H132160	FINGER	AR	-670400	(12 FINGER)
	H132161	FINGER	AR	-670400	(15 FINGER)
	H156717	FINGER	AR		(12 FINGER)
	H156718	FINGER	AR		(15 FINGER)
3	AH130186	STRIP	1		(12 FINGER)
4	AH122080	LINK	1		
5	H126934	WASHER	2		
6	H126932	NUT	1		
7	H126933	WASHER	1		
8	H110178	SCREW	1		
9	AH127465	LOUVER	12	-665400	SEMI-DEEP TOOTH LOUVER
	AH130185	LOUVER	12	665401-	SHALLOW TOOTH LOUVER (GRAIN)
10	AH140044	ISOLATOR	2		(SUB FOR AH127477)
11	H132291	LEAF SPRING	2		
12	H132288	STRIP	2		
13	AH149547	PRESCREENER	2		(SUB FOR AH143337, AH148509 OR AH148374) GENERAL PURPOSE LOUVER
14	H149997	GRIP	1		
15	19M7785	SCREW	3	M10 X 25	
16	24H1308	WASHER	3	13/32" X 1" X 0.134"	

# 5D9

PRECLEANER CHAFFER FRAME  
HP6189 -UN-03OCT95



HP6189

# 5D10

THRESHING AND SEPARATION

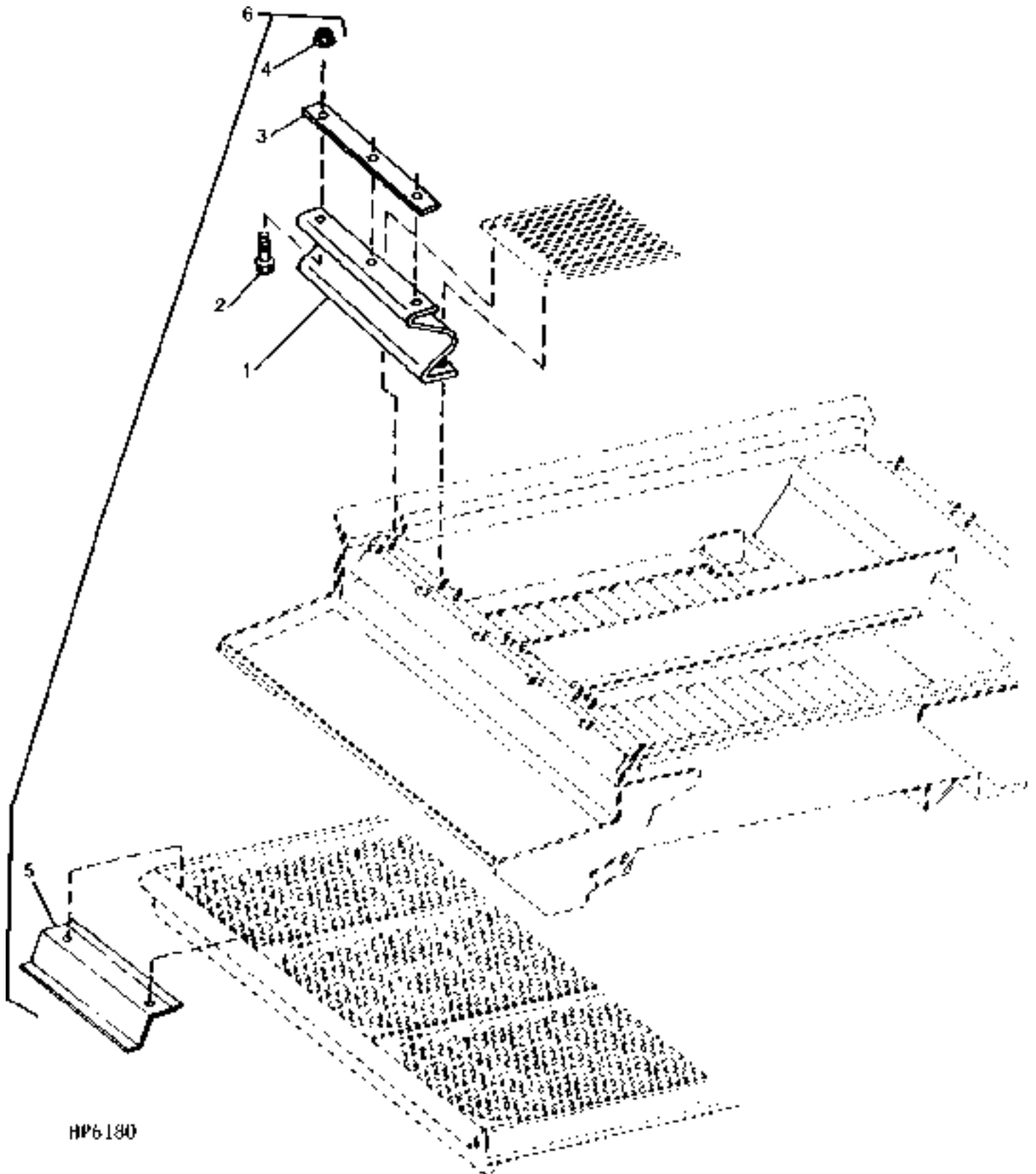
PRECLEANER CHAFFER FRAME - CONTINUED

KEY	PART NO.	PART NAME	QTY	SERIAL NO.	REMARKS
1	14M7396	LOCK NUT	8		M8
2	H132161	FINGER	4		15 FINGER (FRONT)
	H132160	FINGER	2	-670400	12 FINGER
	H156717	FINGER	2		12 FINGER
	H156718	FINGER	4		15 FINGER (REAR)
3	H140247	SEAL	2		
4	AH153808	FRAME	1		(SUB FOR AH128458, AH146824 OR AH149994)
5	03M7281	BOLT	2	-665615	M16 X 180
	19M8486	CAP SCREW	2	665616-	M16 X 180
	49M5606	SHAFT KEY	2	665616-	M6 X 50
	H154930	BOLT	2	665616-	
6	19M7758	CAP SCREW	2		M12 X 130
7	H135544	STRIP	1	-665400	
	H152617	STRIP	1	665401-	
8	H135542	SEAL	1	-665400	
	H152616	SEAL	1	665401-	
9	19M7868	SCREW	8		M8 X 30
10	H136609	SHEET	1		
11	H136611	ANGLE	4		
12	R87345	LOCK NUT	8		9.525 MM
13	R55326	RIVET	6		
..	<b>BH78575</b>	<b>COMPLETE GOODS/SHIP. BUNDLE</b>	<b>1</b>		<b>MAIZE COVER</b>

# 5D11

## GRAIN LEAK KIT

(660714- )  
HP6180 -UN-03OCT95



HP6180



# 5D12

THRESHING AND SEPARATION

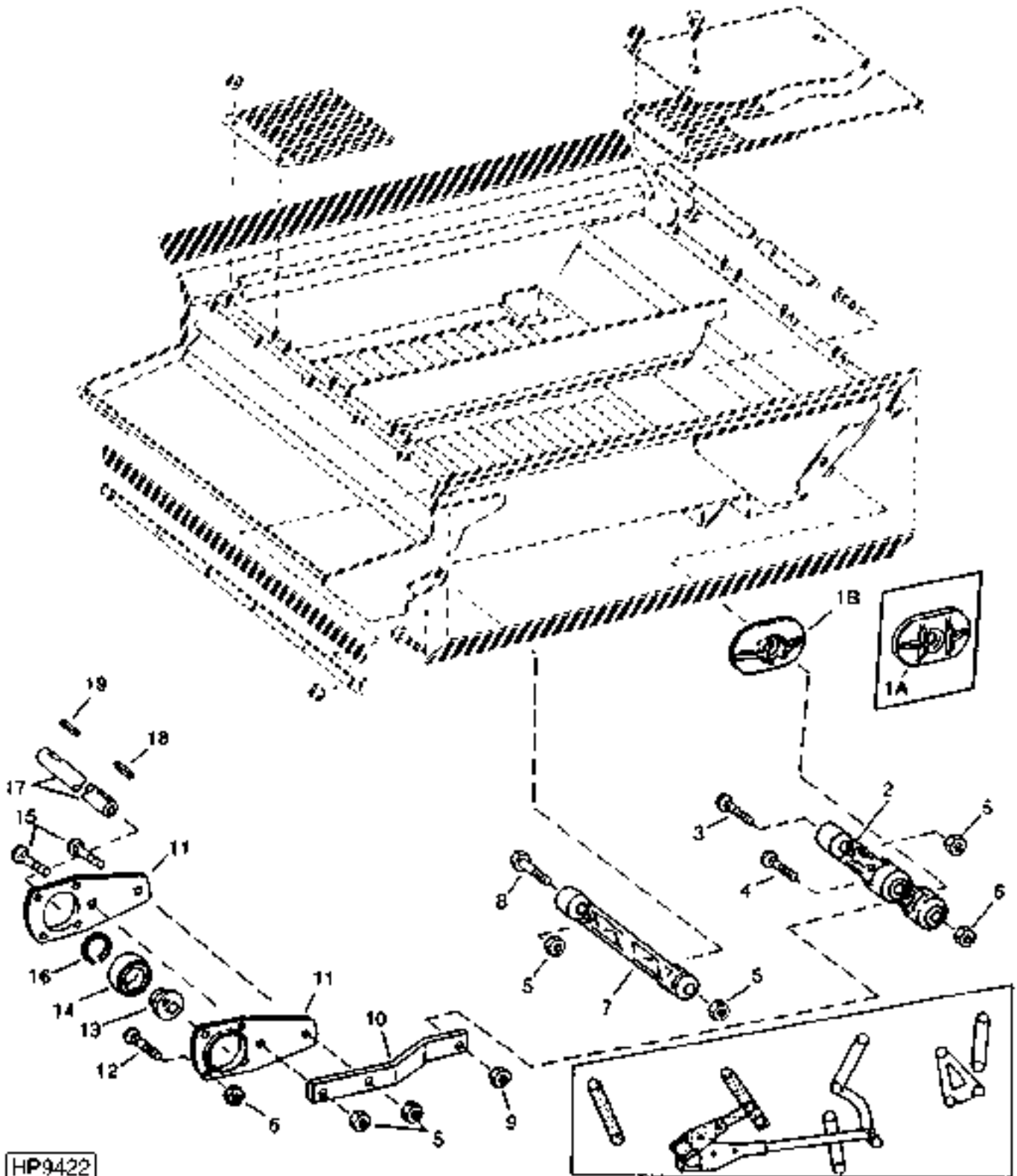
**GRAIN LEAK KIT - CONTINUED**  
(660714- )

KEY	PART NO.	PART NAME	QTY	SERIAL NO.	REMARKS
1	H153648	SEAL	2		(R.H. SIDE ILLUSTRATED)
2	19M7862	SCREW	6		M6 X 20
3	H153649	STRAP	1		
4	14M7303	FLANGE NUT	6		M6
5	H153760	GUARD	4		(R.H. SIDE ILLUSTRATED)
6	AH147584	KIT	1		COMPLETE

# 5D13

THRESHING AND SEPARATION

PRECLEANER CHAFFER FRAME ARMS  
HP9422 -UN-10DEC99



HP9422

# 5D14

## THRESHING AND SEPARATION

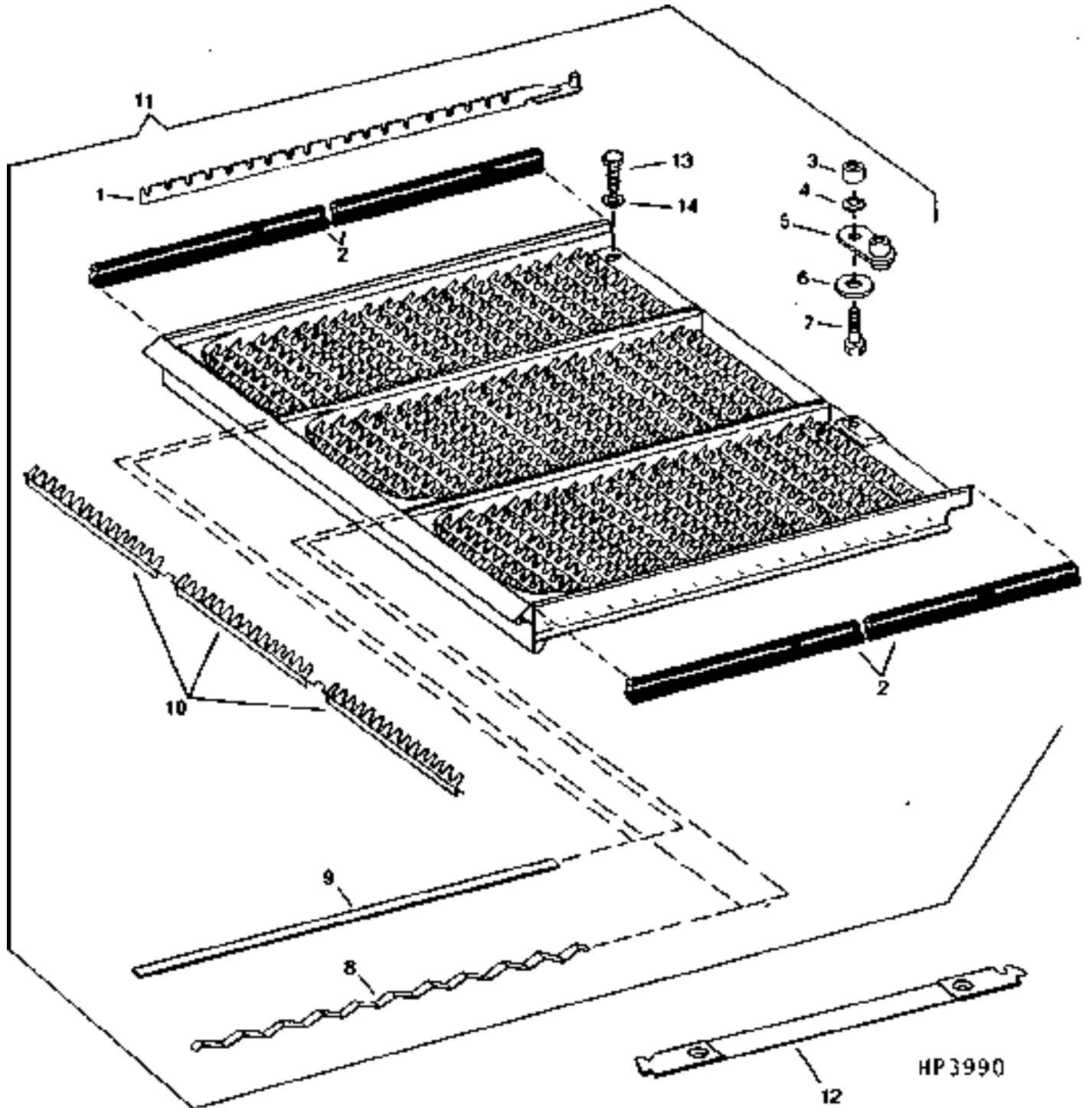
### PRECLEANER CHAFFER FRAME ARMS - CONTINUED

KEY	PART NO.	PART NAME	QTY	SERIAL NO.	REMARKS
1A	H141416	SEAL	2	-645699	(USE WITH AH125967) ONLY
1B	H146672	SEAL	2	645700-	(USE WITH AH138234) ONLY
2	AH138234	LINK	2		(SUB FOR AH125967) CAST
3	03M7248	BOLT	2		M12 X 90
4	19M8043	CAP SCREW	2		M16 X 140
5	14M7299	FLANGE NUT	AR		M12
6	14M7276	NUT	2		M16
7	AH138231	LINK	2		(SUB FOR AH126097) CAST
8	19M7818	SCREW	1		M12 X 80
9	14M7291	FLANGE NUT	2		M16
10	H130922	PITMAN	2		
11	H134118	PRESSED FLANGED HOUSING	4		
12	03M7197	BOLT	AR		M12 X 25
13	H133599	CAM	1		LEFT-HAND
	H133602	CAM	1		RIGHT-HAND
14	AH125975	BALL BEARING	2		
15	03M7200	BOLT	AR		M12 X 40
16	R43383	SNAP RING	2		
17	H133598	SHAFT	1		CLEANING SHOE SHAFT
18	49M7040	SHAFT KEY	1		
19	.....	SHAFT KEY	1		6 X 50 MM (IN AH141142 KEY STOCK KIT) (CUT FROM H150268)

# 5D15

THRESHING AND SEPARATION

CHAFFER ELEMENT  
HP3990 -UN-01JAN94



# 5D16

THRESHING AND SEPARATION

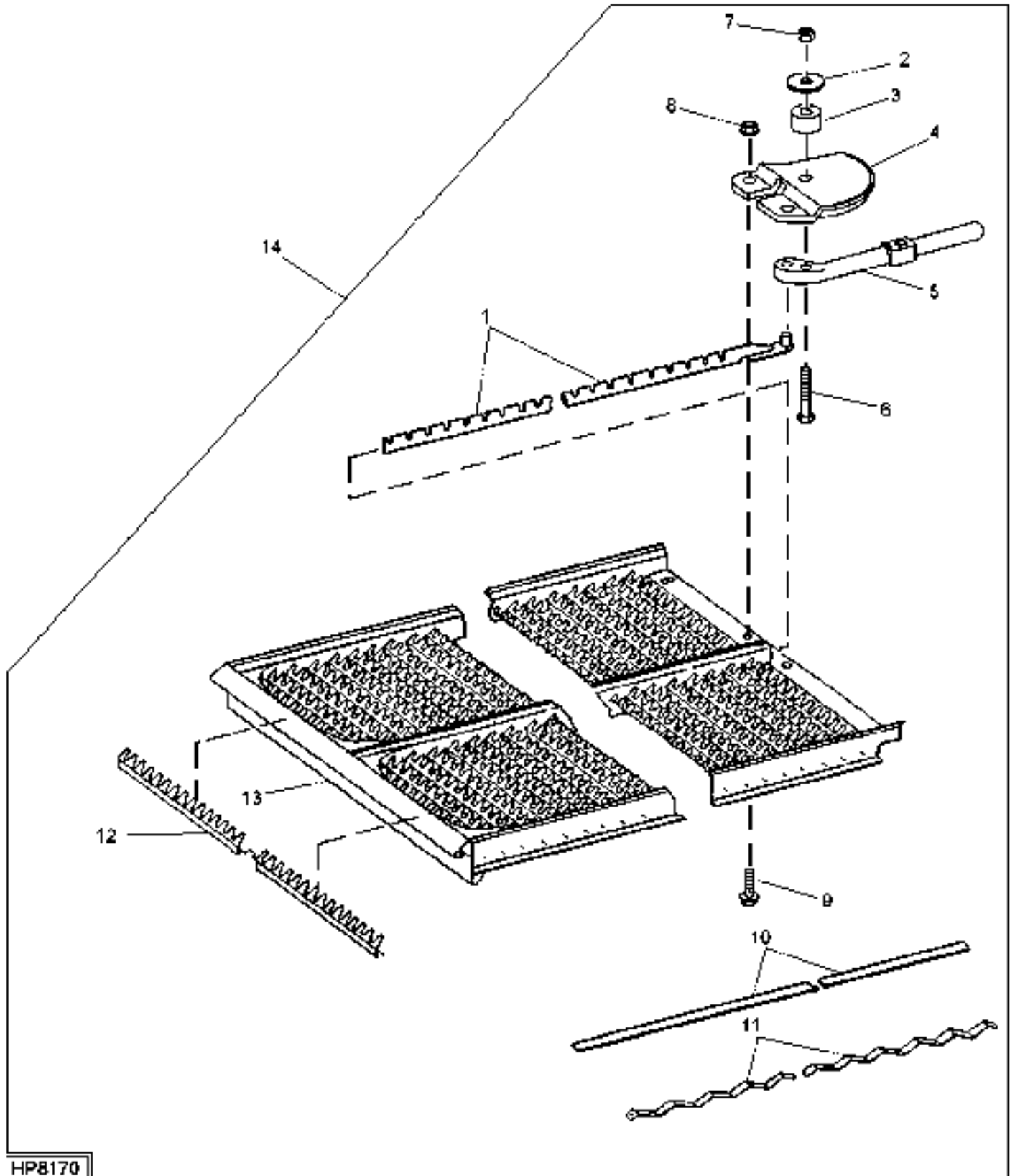
**CHAFFER ELEMENT - CONTINUED**

KEY	PART NO.	PART NAME	QTY	SERIAL NO.	REMARKS
1	AH130186	STRIP	1		
2	AH140044	ISOLATOR	2		
3	H126932	NUT	1		FOR SEMI-DEEP TOOTH LOUVERS
4	H126934	WASHER	2		
5	AH122080	LINK	1		
6	H126933	WASHER	1		
7	H110178	SCREW	1		
8	H132291	LEAF SPRING	1		
9	H132288	STRIP	1		
10	AH132787	LOUVER	26		(SUB FOR AH132785) (ALSO REQUIRES (1)
	AH127465	LOUVER	27		AH127465) GENERAL PURPOSE LOUVERS
					DEEP TOOTH LOUVER
11	AH149551	CHAFFER	1		FOR GENERAL PURPOSE LOUVERS
	AH127426	CHAFFER	1		FOR DEEP TOOTH LOUVERS
	AH130486	CHAFFER	1		(FOR FIXED LOUVERS)
12	H149997	GRIP	1		(SUB FOR AH131213) FOR GENERAL PURPOSE
					LOUVERS
13	19M7785	SCREW	3		M10 X 25
14	24H1308	WASHER	3		13/32" X 1" X 0.134"

# 5D17

THRESHING AND SEPARATION

CHAFFER ELEMENT-DEEP TOOTH NARROW  
HP8170 -UN-17FEB99



HP8170

# 5D18

THRESHING AND SEPARATION

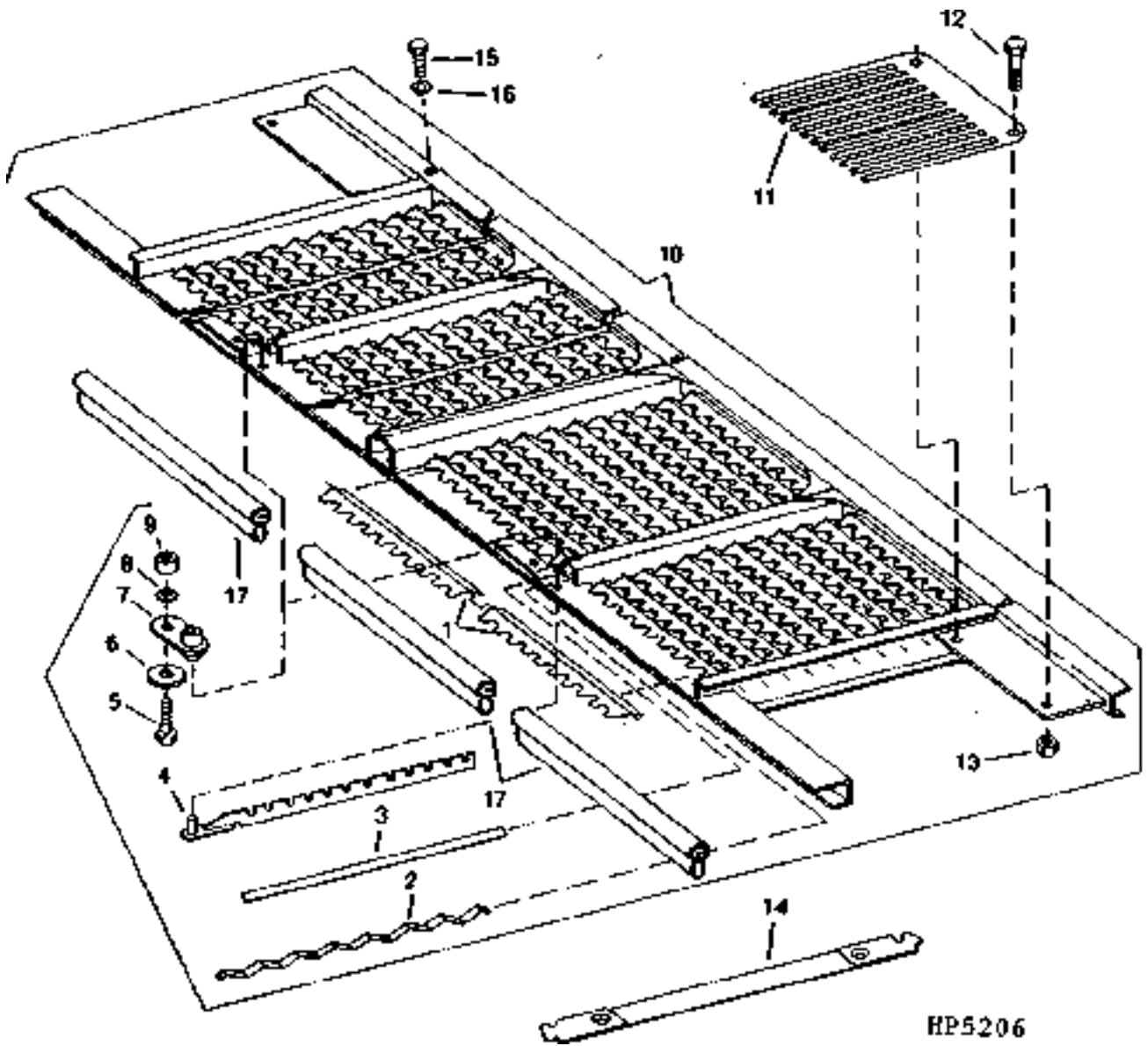
## CHAFFER ELEMENT-DEEP TOOTH NARROW-CONTINUED

KEY	PART NO.	PART NAME	QTY	SERIAL NO.	REMARKS
1	AH150167	STRIP	1		
2	24H1695	WASHER	1		9/32" X 1-3/8" X 0.065"
3	A37576	PAD	1		
4	H157740	BRACKET	1		
5	H157743	HANDLE	1		
6	19M7177	CAP SCREW	1		M6 X 35
7	14M7397	LOCK NUT	1		M6
8	14M7296	FLANGE NUT	2		M10
9	19M7784	SCREW	2		M10 X 20
10	H132288	STRIP	1		
11	H132291	LEAF SPRING	1		
12	AH127465	LOUVER	27		
13	.....	FRAME	1		
14	AH149553	CHAFFER	1		

# 5D19

THRESHING AND SEPARATION

CHAFFER EXTENSION ELEMENT  
HP5206 -UN-01JAN94





# 5D20

THRESHING AND SEPARATION

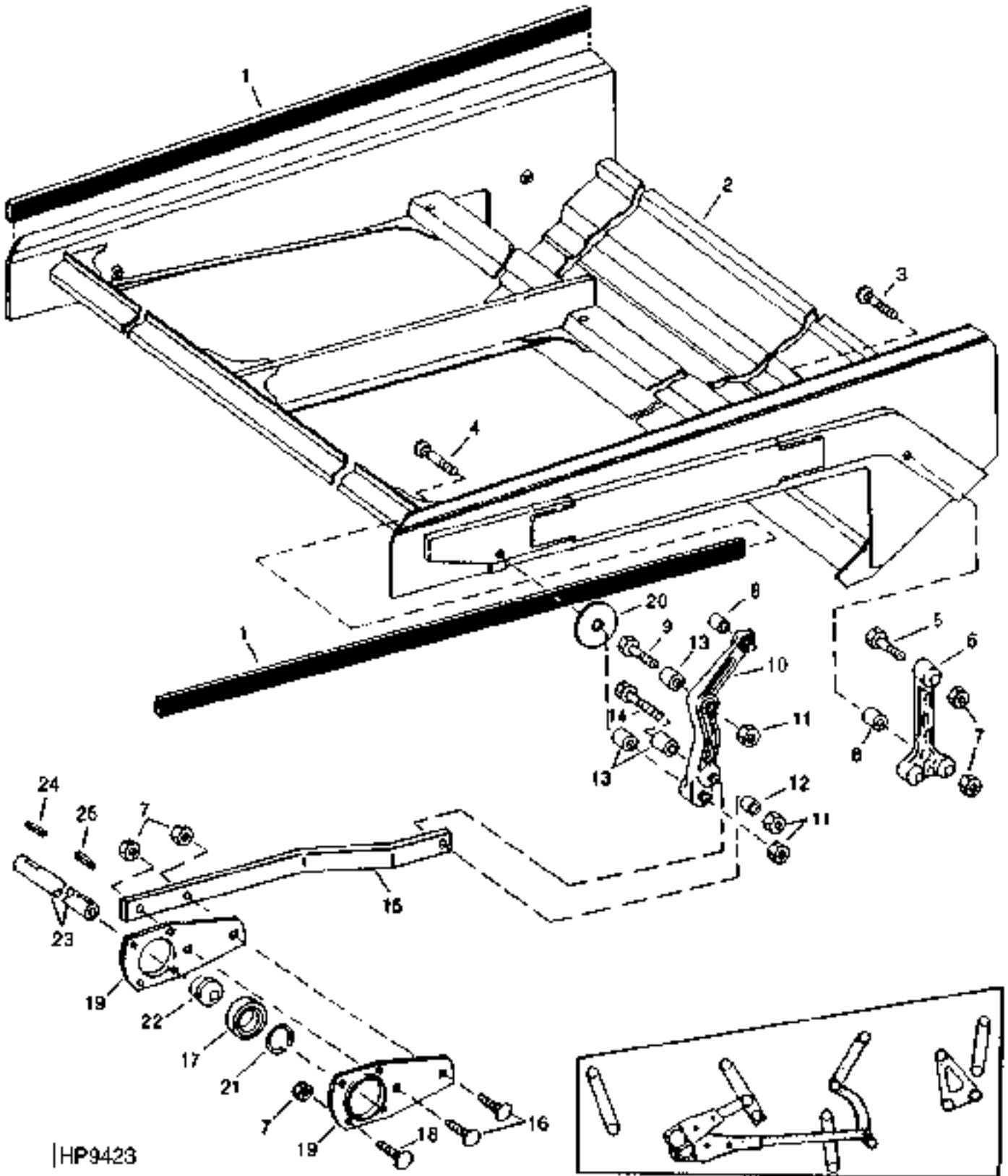
**CHAFFER EXTENSION ELEMENT - CONTINUED**

KEY	PART NO.	PART NAME	QTY	SERIAL NO.	REMARKS
1	AH127469	LOUVER	12		SEMI-DEEP TOOTH LOUVER
2	H132293	LEAF SPRING	2		
3	H132290	STRIP	2		
4	AH130189	STRIP	1		SEMI-DEEP TOOTH LOUVER
5	H110178	SCREW	1		
6	H126933	WASHER	1		
7	AH122080	LINK	1		
8	H126934	WASHER	2		
9	H126932	NUT	1		
10	AH127435	CHAFFER	1		SEMI-DEEP TOOTH LOUVER
	AH130996	CHAFFER	1		FIXED LOUVER (DOES NOT INCLUDE KEYS 1 - 9)
11	H132160	FINGER	2		
12	19M7866	SCREW	4	M8 X 20	
13	14M7396	LOCK NUT	4	M8	
14	H149997	GRIP	1	(SUB FOR AH131213)	
15	19M7785	SCREW	4	M10 X 25	
16	24H1308	WASHER	4	13/32" X 1" X 0.134"	
17	AH80335	WEATHERSTRIP	3		

# 5D21

THRESHING AND SEPARATION

CHAFFER FRAME  
HP9423 -UN-10DEC99



HP9423

# 5D22

## THRESHING AND SEPARATION

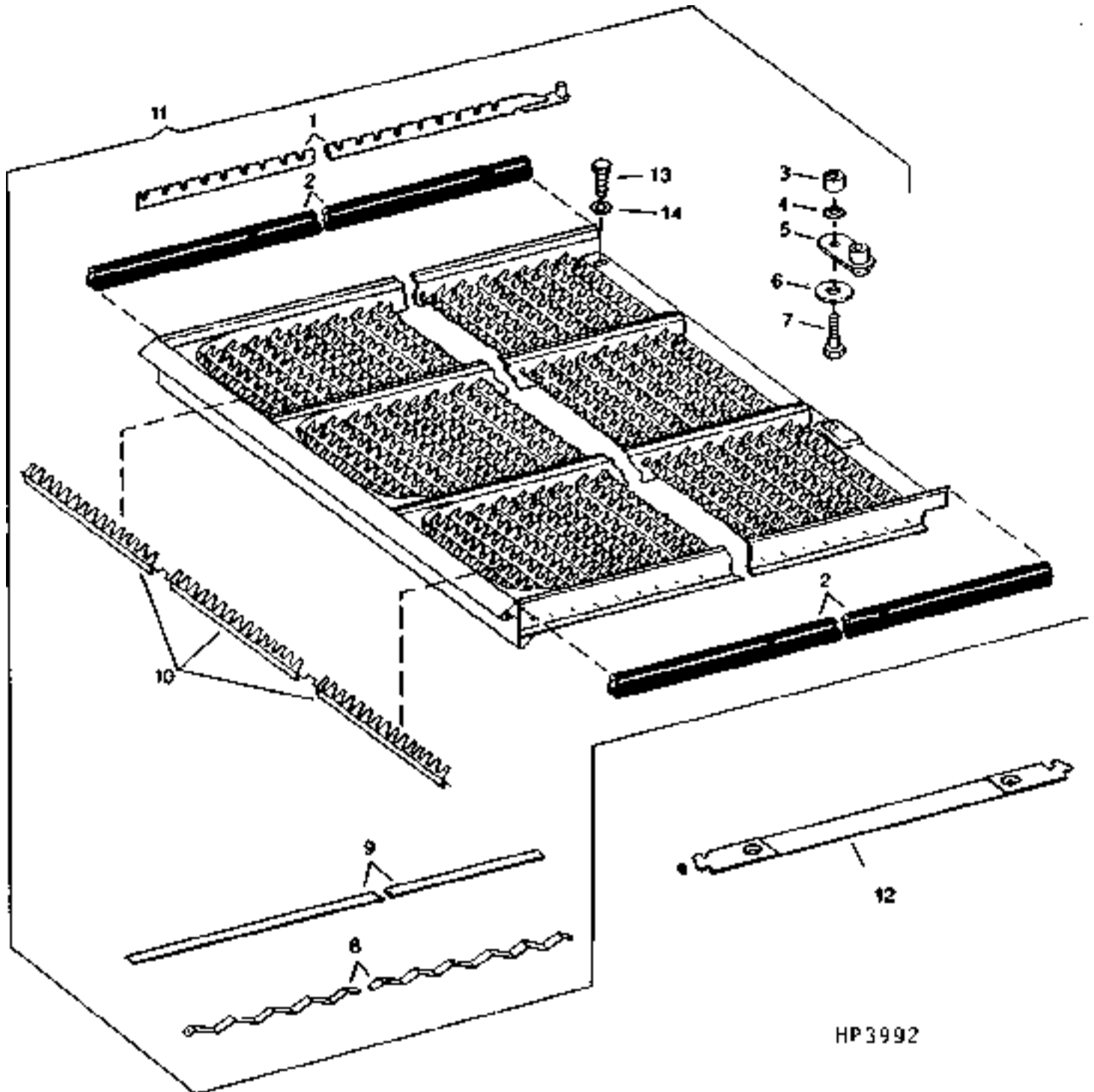
### CHAFFER FRAME - CONTINUED

KEY	PART NO.	PART NAME	QTY	SERIAL NO.	REMARKS
1	H175540	SEAL	2		(SUB FOR H131319)
2	AH128464	FRAME	1		
3	19M7943	CAP SCREW	2		M12 X 90
4	19M7732	CAP SCREW	2		M16 X 130
5	03M7248	BOLT	2		M12 X 90
6	AH138232	LINK	2		(SUB FOR AH125971)
7	14M7299	FLANGE NUT	AR		M12
8	AH125200	BUSHING	10	-645655	
9	03M7240	BOLT	2		M16 X 130
10	AH125969	ARM	1		L.H. SIDE
	AH125970	ARM	1		R.H. SIDE
11	14M7291	FLANGE NUT	AR		M16
12	H96690	SPACER	2		
13	AH125201	RUBBER MOUNT	2		
14	19M8486	CAP SCREW	2		M16 X 180
15	H150034	BAR	2		(SUB FOR AH125976 OR H147457)
16	03M7198	BOLT	AR		M12 X 30
	03M7200	BOLT	AR		M12 X 40
17	AH125975	BALL BEARING	2		
18	03M7197	BOLT	AR		M12 X 25
19	H134118	PRESSED FLANGED HOUSING	4		
20	H137188	SEAL	2		
21	R43383	SNAP RING	2		
22	H133600	CAM	1		L H
	H133601	CAM	1		R H
23	H133598	SHAFT	1		
24	.....	SHAFT KEY	1		6 X 50 MM (IN AH141142 KEY STOCK KIT) (CUT FROM H150268)
25	49M7040	SHAFT KEY	1		6 X 6 X 50 MM

# 5D23

THRESHING AND SEPARATION

SIEVE ELEMENT  
HP3992 -UN-01JAN94



HP3992

# 5D24

THRESHING AND SEPARATION

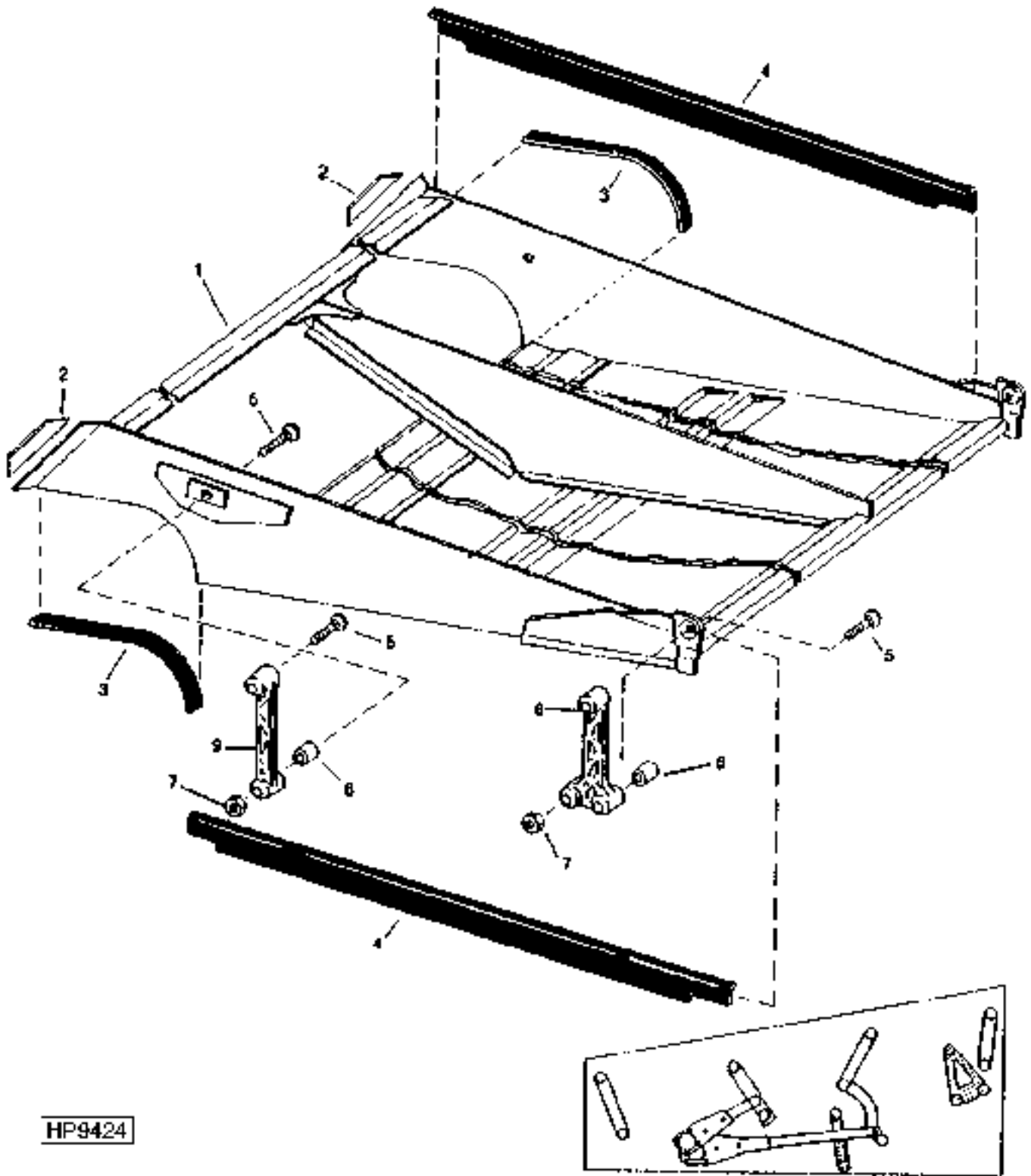
## SIEVE ELEMENT - CONTINUED

KEY	PART NO.	PART NAME	QTY	SERIAL NO.	REMARKS
1	AH130167	STRIP	1		
2	AH140044	ISOLATOR	2		
3	H126932	NUT	1		
4	H126934	WASHER	2		
5	AH122080	LINK	1		
6	H126933	WASHER	1		
7	H110178	SCREW	1		
8	H132292	LEAF SPRING	1		
9	H132289	STRIP	1		
10	AH130166	LOUVER	1		
11	AH130160	SCREEN	2		ADJUSTABLE
12	H149997	GRIP	1		(SUB FOR AH131213)
13	19M7785	SCREW	3		M10 X 25
14	24H1308	WASHER	3		13/32" X 1" X 0.134"

NOTE: QUANTITIES LISTED ARE FOR ONE UNIT. TWO UNITS PER MACHINE.

# 5E1

SIEVE FRAME  
HP9424 -UN-10DEC99



HP9424

# 5E2

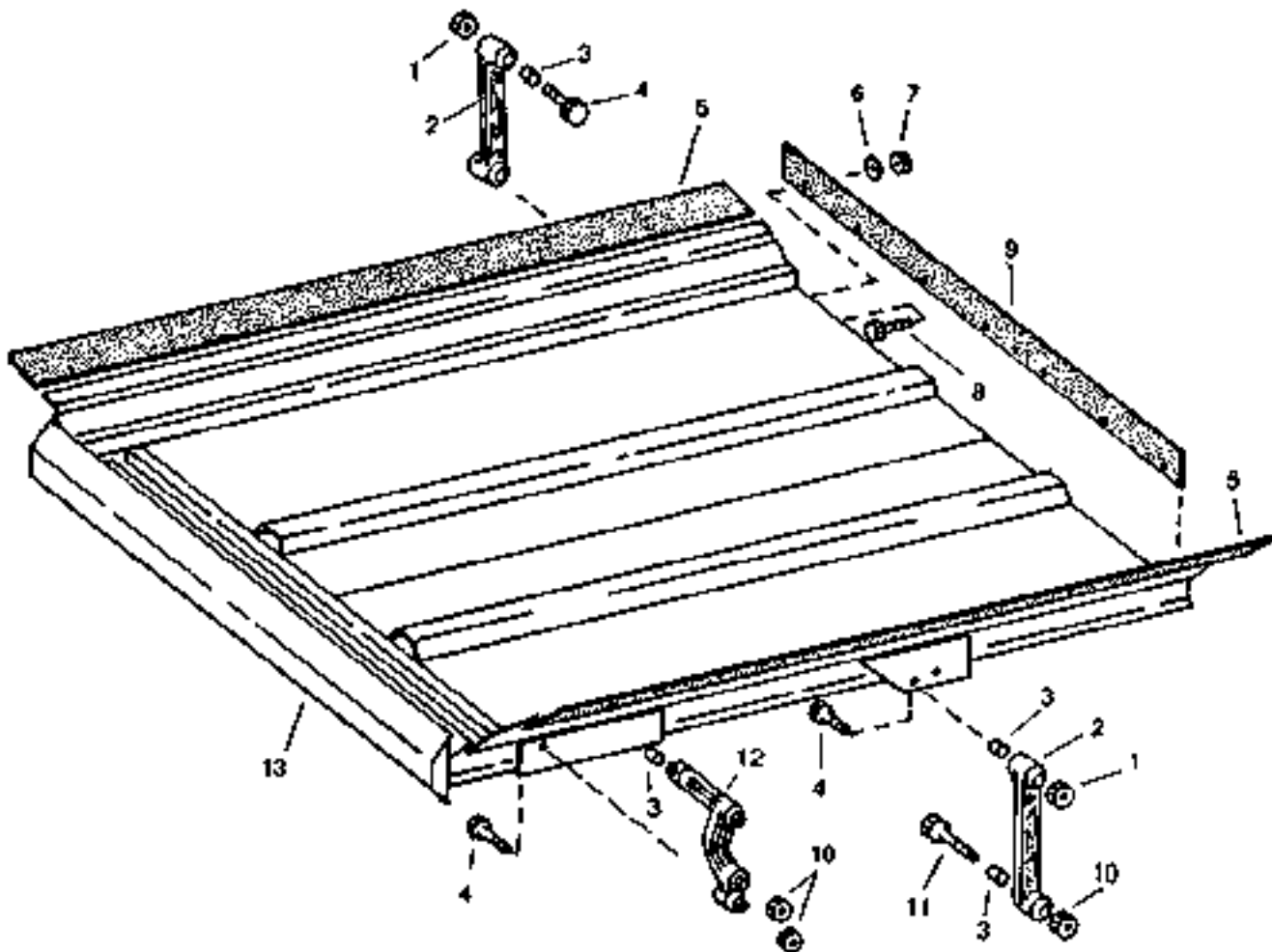
## THRESHING AND SEPARATION

### SIEVE FRAME - CONTINUED

KEY	PART NO.	PART NAME	QTY	SERIAL NO.	REMARKS
1	AH149701	FRAME	1		(SUB FOR AH128461)
2	H133288	SEAL	2		
3	AH133091	SEAL	2		(SUB FOR AH132965 AND AH132966) (MAKE FROM AH125163) CUT 320 MM (12-1/2") (50 FT ROLL)
4	H133287	SEAL	2		
5	03M7248	BOLT	6	-665615	M12 X 90
	H154928	BOLT	6	665616-	
6	AH125200	BUSHING	10	-645655	
7	14M7299	FLANGE NUT	6		M12
8	AH138232	LINK	2		(SUB FOR AH125971)
9	AH138230	LINK	2		(SUB FOR AH125966)

# 5E3

SHAKER PAN  
(-655400)  
HP9425 -UN-10DEC99



HP9425



# 5E4

## THRESHING AND SEPARATION

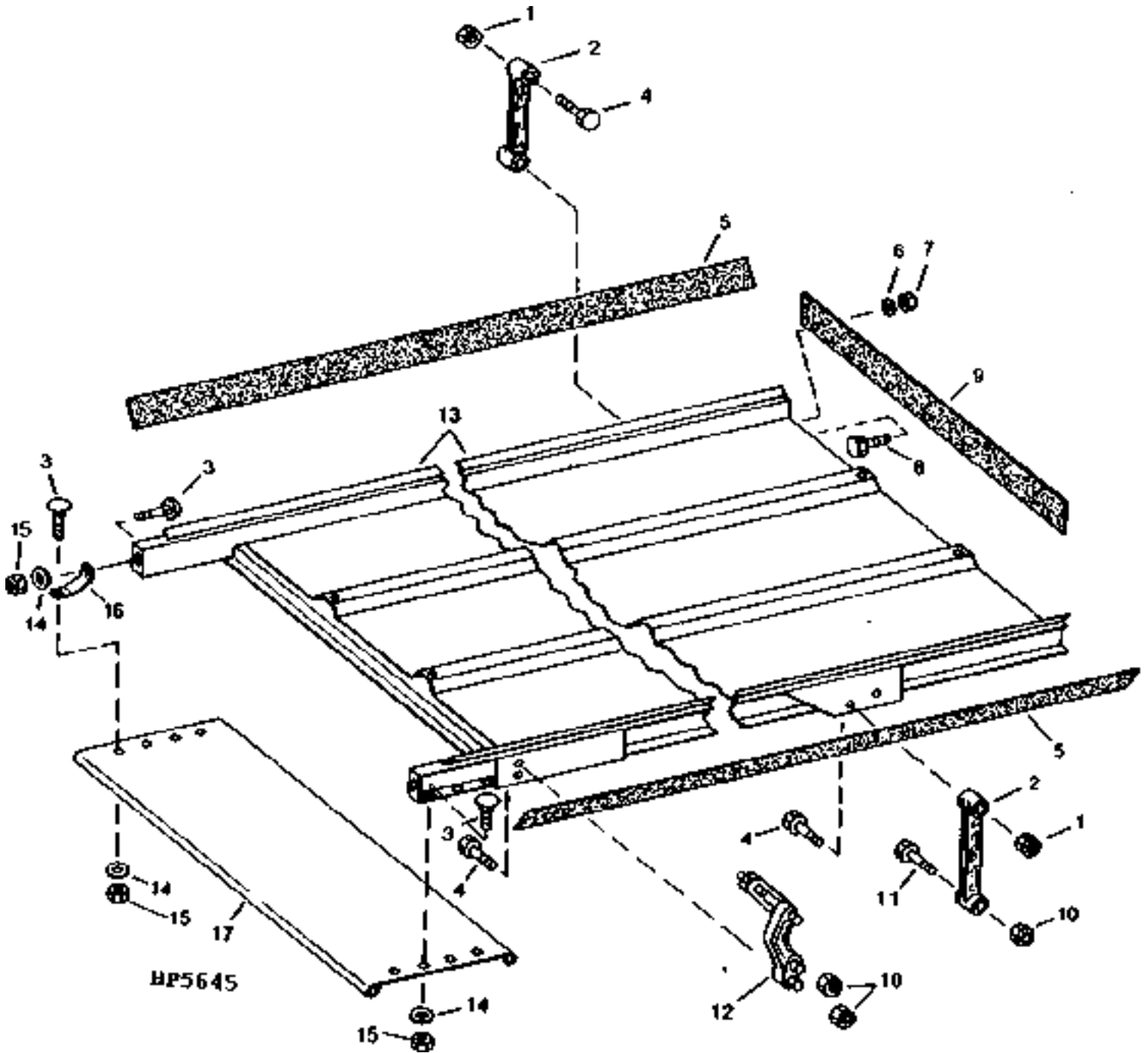
### SHAKER PAN - CONTINUED

( -655400)

KEY	PART NO.	PART NAME	QTY	SERIAL NO.	REMARKS
1	14M7275	NUT	5		M12
2	AH138230	LINK	2		(SUB FOR AH125966)
3	AH125200	BUSHING	7	-645699	
4	19M7821	SCREW	2		M12 X 120
5	H175590	SEAL	2		(SUB FOR H133768)
6	24H1299	WASHER	7		3/8" X 1-1/4" X 0.065"
7	14M7298	FLANGE NUT	7		M8
8	03M7184	BOLT	7		M8 X 20
9	H133789	SEAL	1		
10	14M7275	NUT	4		M12
11	19M7819	SCREW	2		M12 X 90
12	AH125970	ARM	1		R.H.
	AH125969	ARM	1		L.H.
13	AH128909	GRAIN PAN	1		

# 5E5

SHAKER PAN  
(655401-665400)  
HP5645 -UN-01JAN94



# 5E6

## THRESHING AND SEPARATION

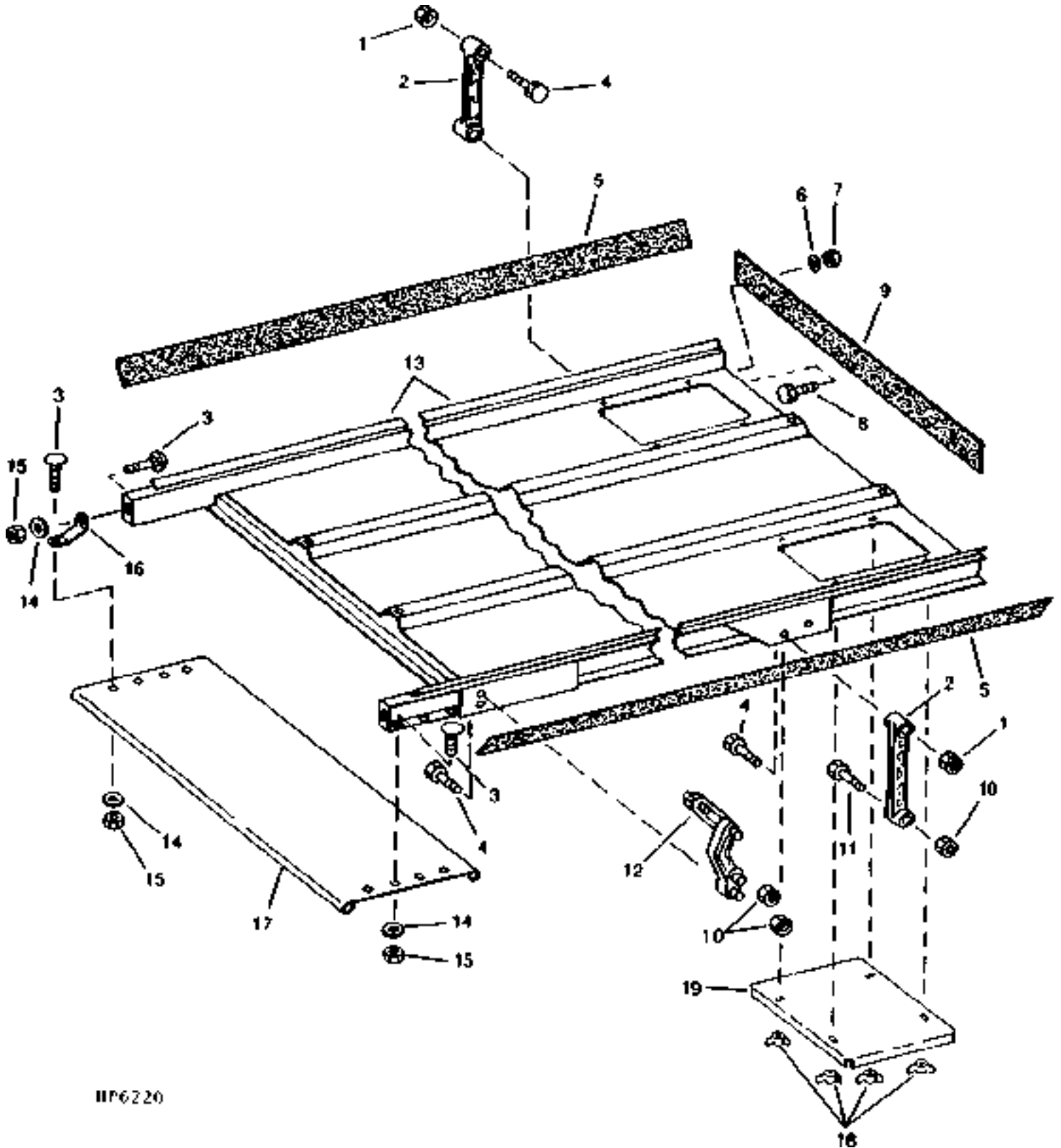
### SHAKER PAN - CONTINUED (655401-665400)

KEY	PART NO.	PART NAME	QTY	SERIAL NO.	REMARKS
1	14M7275	NUT	5		M12
2	AH138230	LINK	2		
3	03M7183	BOLT	10		M8 X 16
4	19M7837	SCREW	2		M12 X 110
5	H175590	SEAL	2		(SUB FOR H133768)
6	24H1299	WASHER	7		3/8" X 1-1/4" X 0.065"
7	14M7298	FLANGE NUT	7		M8
8	03M7184	BOLT	7		M8 X 20
9	H133789	SEAL	1		
10	14M7275	NUT	4		M12
11	19M7819	SCREW	2		M12 X 90
	H154928	BOLT	2	665616-	
12	AH125970	ARM	1		R.H.
	AH125969	ARM	1		L.H.
13	AH143327	GRAIN PAN	1		
14	M84309	NUT	10		7.925 MM (5/16")
15	14M7396	LOCK NUT	10		M8
16	H149468	BEAM	2		
17	H149467	SHEET	1		

# 5E7

THRESHING AND SEPARATION

SHAKER PAN  
(665401- )  
HP6220 -UN-04JAN96



HP6220

# 5E8

THRESHING AND SEPARATION

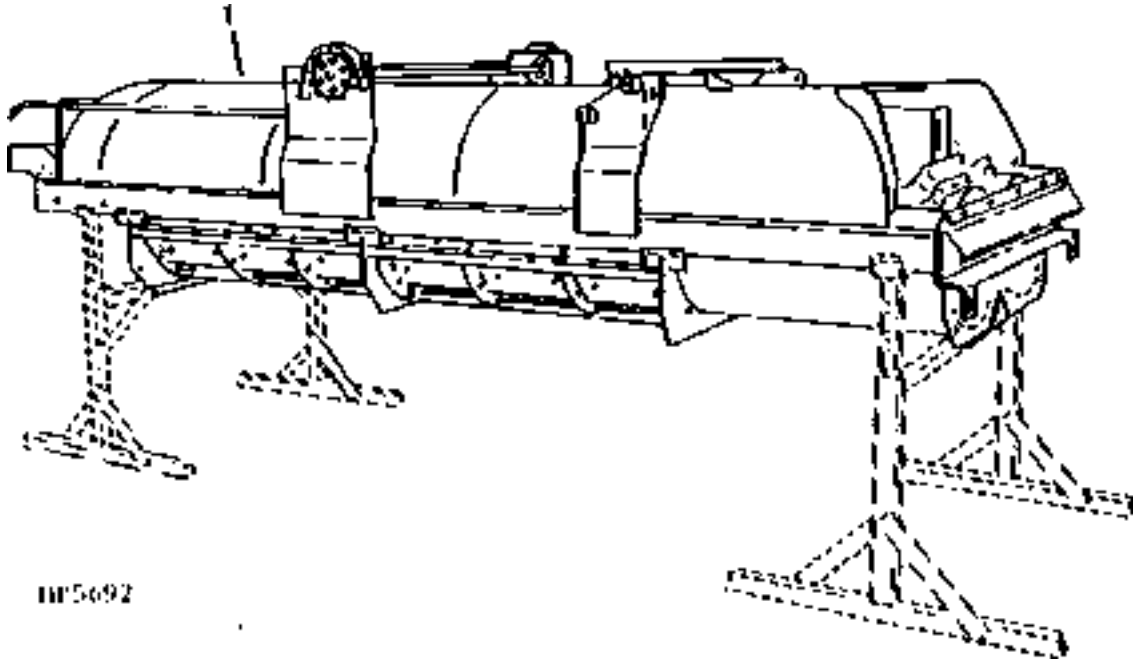
**SHAKER PAN - CONTINUED**  
(665401- )

KEY	PART NO.	PART NAME	QTY	SERIAL NO.	REMARKS
1	14M7275	NUT	5	M12	
2	AH138230	LINK	2		
3	03M7183	BOLT	10	M8 X 16	
4	19M7821	SCREW	2	M12 X 120	
5	H175590	SEAL	2	(SUB FOR H133768)	
6	24H1299	WASHER	7	3/8" X 1-1/4" X 0.065"	
7	14M7298	FLANGE NUT	7	M8	
8	03M7184	BOLT	7	M8 X 20	
9	H133789	SEAL	1		
10	14M7275	NUT	4	M12	
11	19M7819	SCREW	2	M12 X 90	
12	AH125970	ARM	1	R.H.	
	AH125969	ARM	1	L.H.	
13	AH148142	GRAIN PAN	1		
14	M84309	NUT	10	7.925 MM (5/16")	
15	14M7396	LOCK NUT	10	M8	
16	H149468	BEAM	2		
17	H149467	SHEET	1		
18	14M7020	WING NUT	8	11 DEC-XXXXXX	M8
19	H154808	PANEL	2	11 DEC-XXXXXX	

# 5E9

THRESHING AND SEPARATION

MODULE ASSEMBLY  
HP5692 -UN-01JAN94



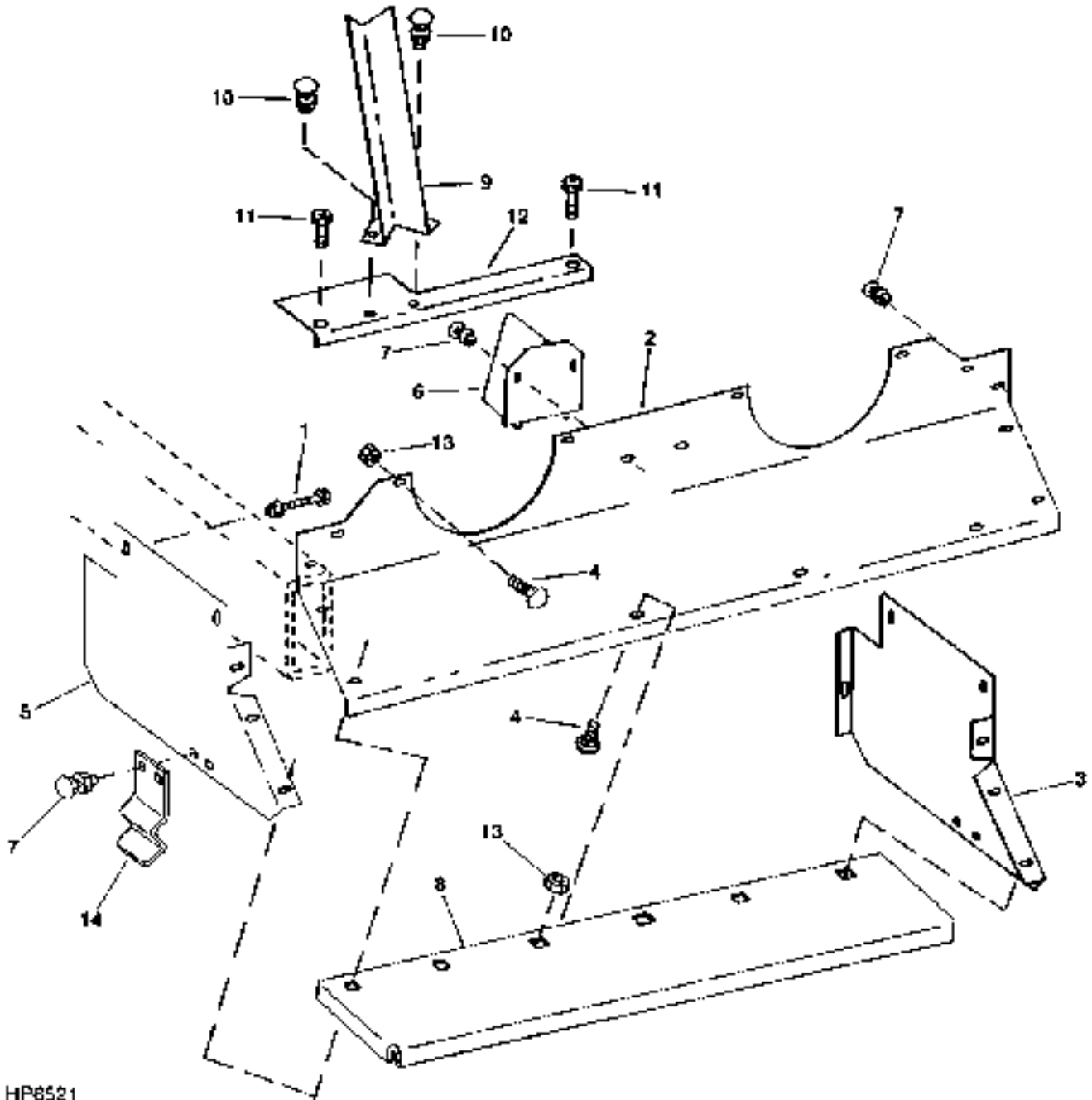
KEY	PART NO.	PART NAME	QTY	SERIAL NO.	REMARKS
1	AH161504	MODULE	1		(SUB FOR AH134360) (RICE)
	AH161505	MODULE	1		(SUB FOR AH144974) (GRAIN)

MEMORANDA

# 5E10

THRESHING AND SEPARATION

MODULE REAR SHIELDS  
HP6521 -UN-15JUL96



HP6521



# 5E11

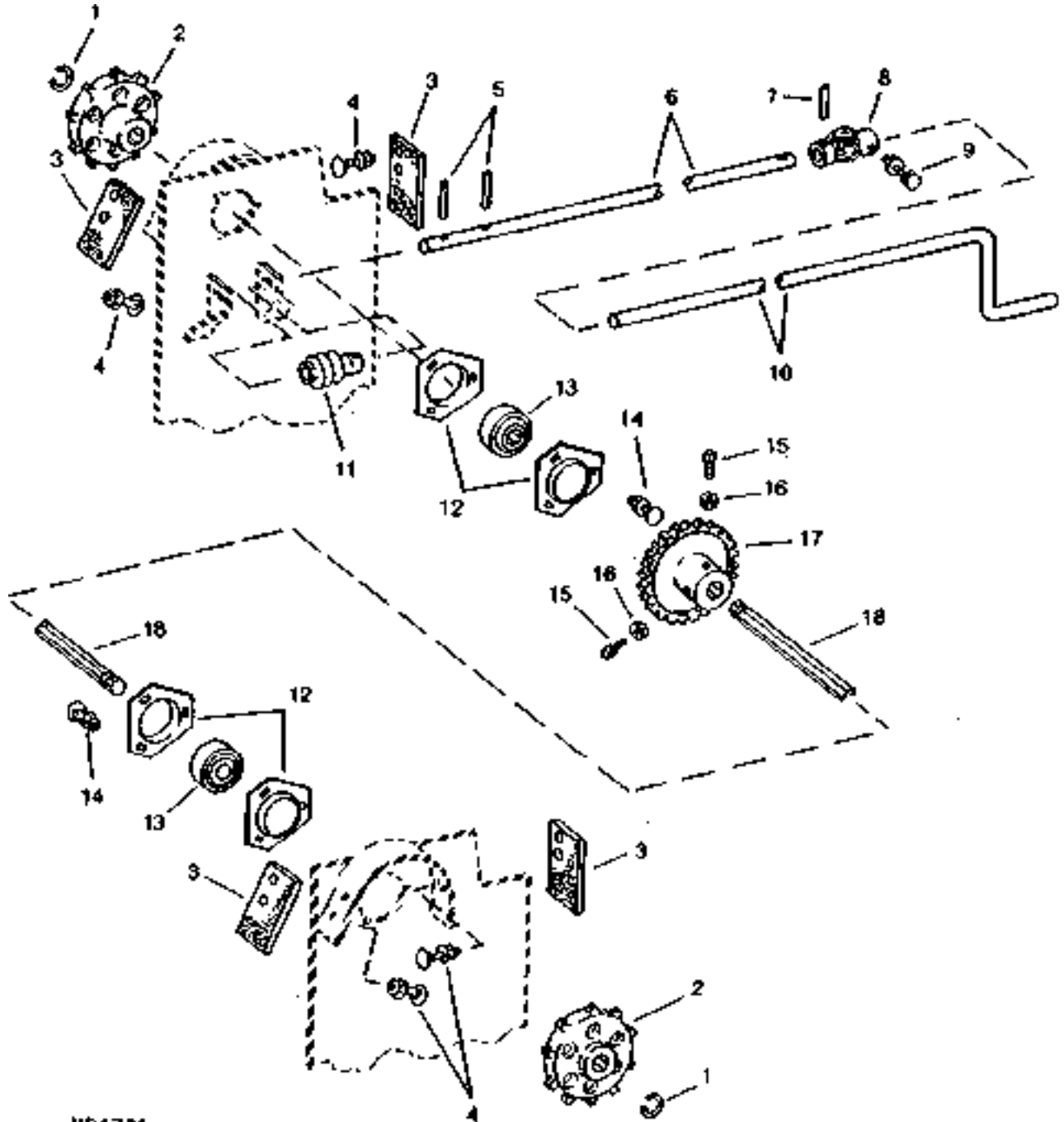
## THRESHING AND SEPARATION

### MODULE REAR SHIELDS - CONTINUED

KEY	PART NO.	PART NAME	QTY	SERIAL NO.	REMARKS
1	19M7809	SCREW	4		M10 X 70
	14M7296	FLANGE NUT	4		M10
2	H147125	SHEET	1		
3	H148674	SHIELD	1		(SUB FOR H145712) R.H.
4	03M7183	BOLT	20		M8 X 16
5	H148673	SHIELD	1		(SUB FOR H145711) L.H.
6	AH141024	PANEL	1		FOR STRAW SPREADER
	AH143405	FLOW DIVIDER	1	-670400	FOR STRAW CHOPPER
7	03M7183	BOLT	10	-670400	M8 X 16
	14M7298	FLANGE NUT	10	-670400	M8
8	H147520	SHIELD	1	645510-	
9	H147153	SHIELD	1	655542-	(CORN CONVERSION)
10	03M7190	BOLT	2	655542-	M10 X 20, (CORN CONVERSION)
	14M7296	FLANGE NUT	2	655542-	M10, (CORN CONVERSION)
11	19M7787	SCREW	2	655542-	M12 X 20, (CORN CONVERSION)
12	H147519	SHIELD	1	655542-	(CORN CONVERSION)
13	14M7298	FLANGE NUT	14		M8
14	H147496	LATCH	2		
..	<b>BH80132</b>	<b>COMPLETE GOODS/SHIP. BUNDLE</b>	<b>1</b>		<b>CORN CONVERSION</b>

# 5E12

MODULE CRANK OUT SYSTEM  
HP4771 -UN-01JAN94



HP4771

# 5E13

## THRESHING AND SEPARATION

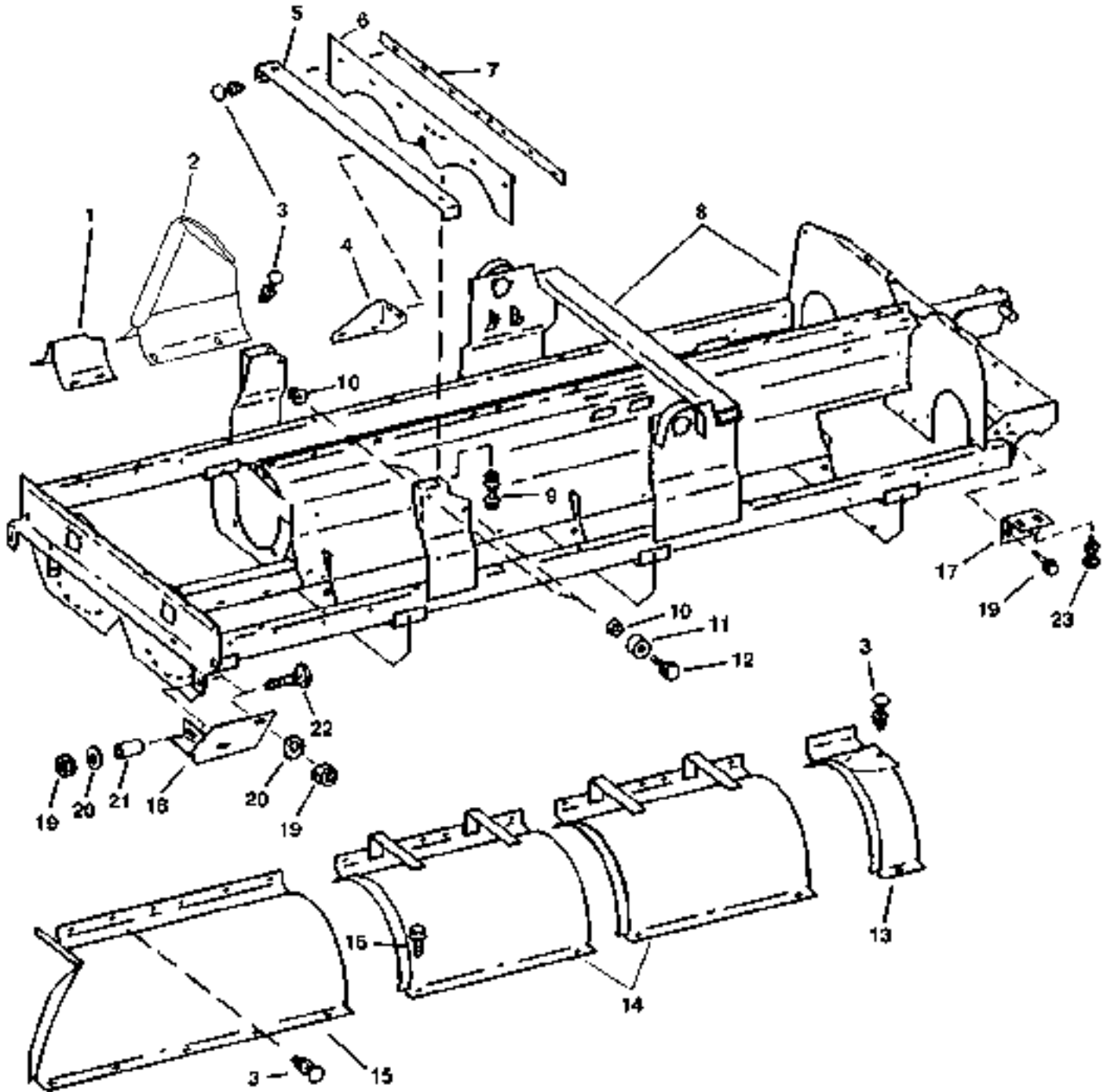
### MODULE CRANK OUT SYSTEM - CONTINUED

KEY	PART NO.	PART NAME	QTY	SERIAL NO.	REMARKS
1	H80926	SNAP RING	2		
2	H143543	CHAIN SPROCKET	2		
3	H141282	BLADE	2		FRONT OF TRANSPORT RING GEARS
	H147838	BLADE	2	645676-	REAR OF TRANSPORT RING GEARS
4	03M7185	BOLT	4		M8 X 25
	14M7298	FLANGE NUT	4		M8
	24M7207	WASHER	4		8.400 X 24 X 2 MM
5	34M7141	SPRING PIN	2	-670400	
	34H105	SPRING PIN	2	670401-	
6	H158737	SHAFT	1		(SUB FOR H140593)
7	34H105	SPRING PIN	1		
8	AH135160	UNIVERSAL JOINT	1		
9	19M7595	CAP SCREW	1		M6 X 50
	14M7272	NUT	1		M6
10	H145792	CRANK	1		
11	H100400	GEAR	1	-670400	
	H158712	GEAR	1		
12	H103265	PRESSED FLANGED HOUSING	4		
13	AN102010	BEARING	2		
14	03M7191	BOLT	6		M10 X 25
	14M7296	FLANGE NUT	6		M10
15	H138435	SET SCREW	2		
16	14M7152	NUT	2		M10
17	H143542	HELICAL GEAR	1		
18	H142138	SHAFT	1		

# 5E14

THRESHING AND SEPARATION

MODULE FRAME AND COVERS  
HP9426 -UN-10DEC99



HP9426

# 5E15

## THRESHING AND SEPARATION

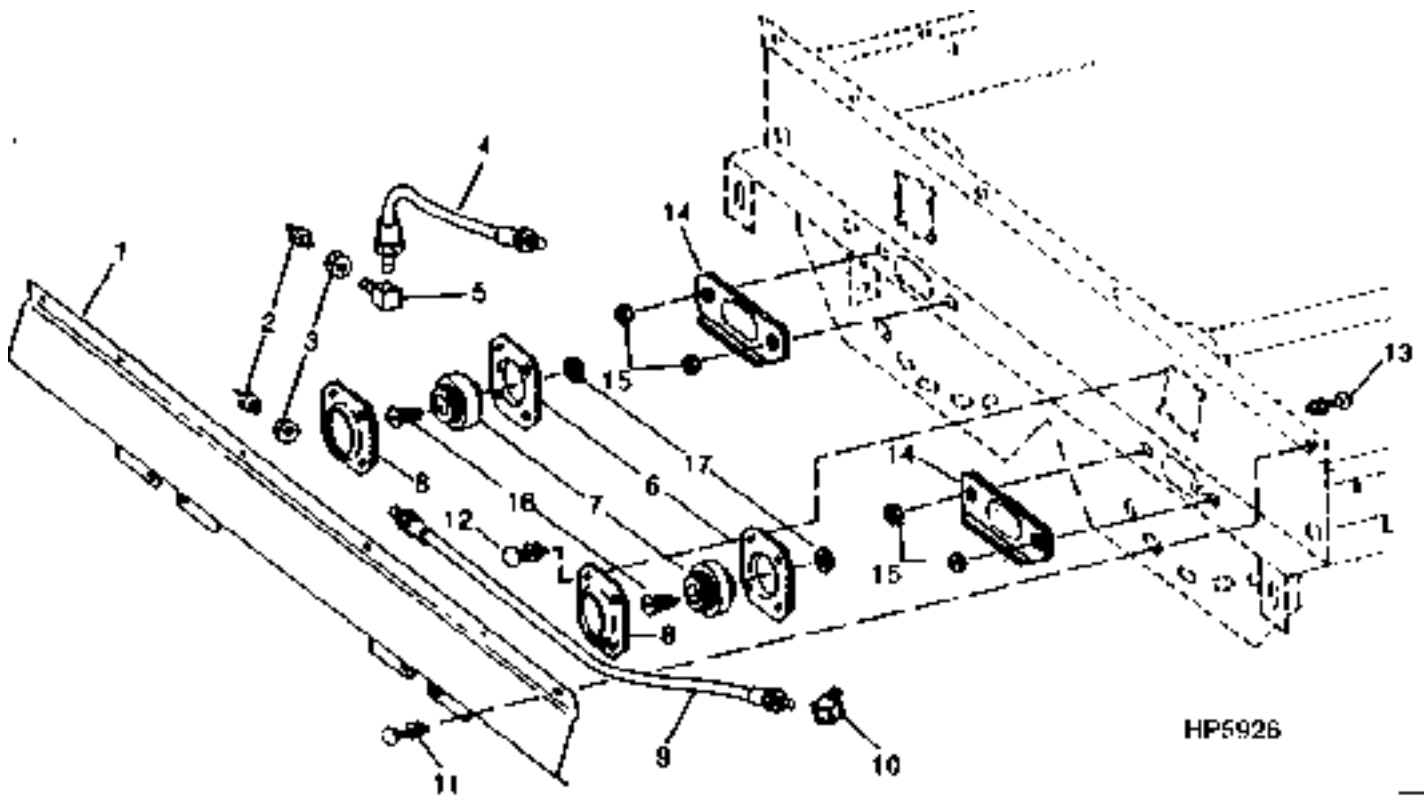
### MODULE FRAME AND COVERS - CONTINUED

KEY	PART NO.	PART NAME	QTY	SERIAL NO.	REMARKS
1	H145089	CROP DIVIDER	1		
2	AH148526	CROP DIVIDER	1		(SUB FOR AH139123)
3	03M7192	BOLT	30		M10 X 30
	14M7296	FLANGE NUT	30		M10
4	H144265	BRACKET	1		
5	H144264	ANGLE	1		
6	H144267	SEAL	1		
7	H144266	STRIP	1		
8	AH141853	FRAME	1		
9	19M7789	SCREW	AR		M12 X 30
	14M7299	FLANGE NUT	AR		M12
10	14M7291	FLANGE NUT	4		M16
11	H113892	SHIFT COLLAR	4		
12	19M7417	CAP SCREW	4		M16 X 65
13	AH147952	COVER	1		(SUB FOR AH137676) R.H. (REAR)
	AH147953	COVER	1		(SUB FOR AH137675) L.H. (REAR)
14	AH137671	COVER	2		L.H. (20 DEGREE VANES)
	AH137677	COVER	2		L.H.-CORN ONLY (10° VANES)
	AH137672	COVER	2		R.H. (20 DEGREE VANES)
	AH137678	COVER	2		R.H.-CORN ONLY (10° VANES)
15	AH139280	COVER	1		R.H. (FRONT)
	AH139281	COVER	1		L.H. (FRONT)
16	03M7233	BOLT	AR		M10 X 70
17	H143574	ANGLE	2		
18	AH137374	STOP	1		L.H.
	AH137373	STOP	1		R.H.
19	14M7299	FLANGE NUT	2		M12
20	24M7240	WASHER	2		13 X 25 X 3 MM
21	N61709	BUSHING	2		13.487 X 25.400 X 18.110 MM (17/32" X 1" X 0.713")
22	03M7205	BOLT	1		M16 X 40
23	03M7198	BOLT	2		M12 X 30
..	AH161504	MODULE	1		(SUB FOR AH134360) (COMPLETE) RICE AND ITALY
..	AH161505	MODULE	1		(SUB FOR AH144974) (COMPLETE) GRAIN

# 5E16

THRESHING AND SEPARATION

MODULE FRONT BEARINGS AND LUBE LINES  
HP5926 -UN-04MAY95



HP5926

# 5E17

THRESHING AND SEPARATION

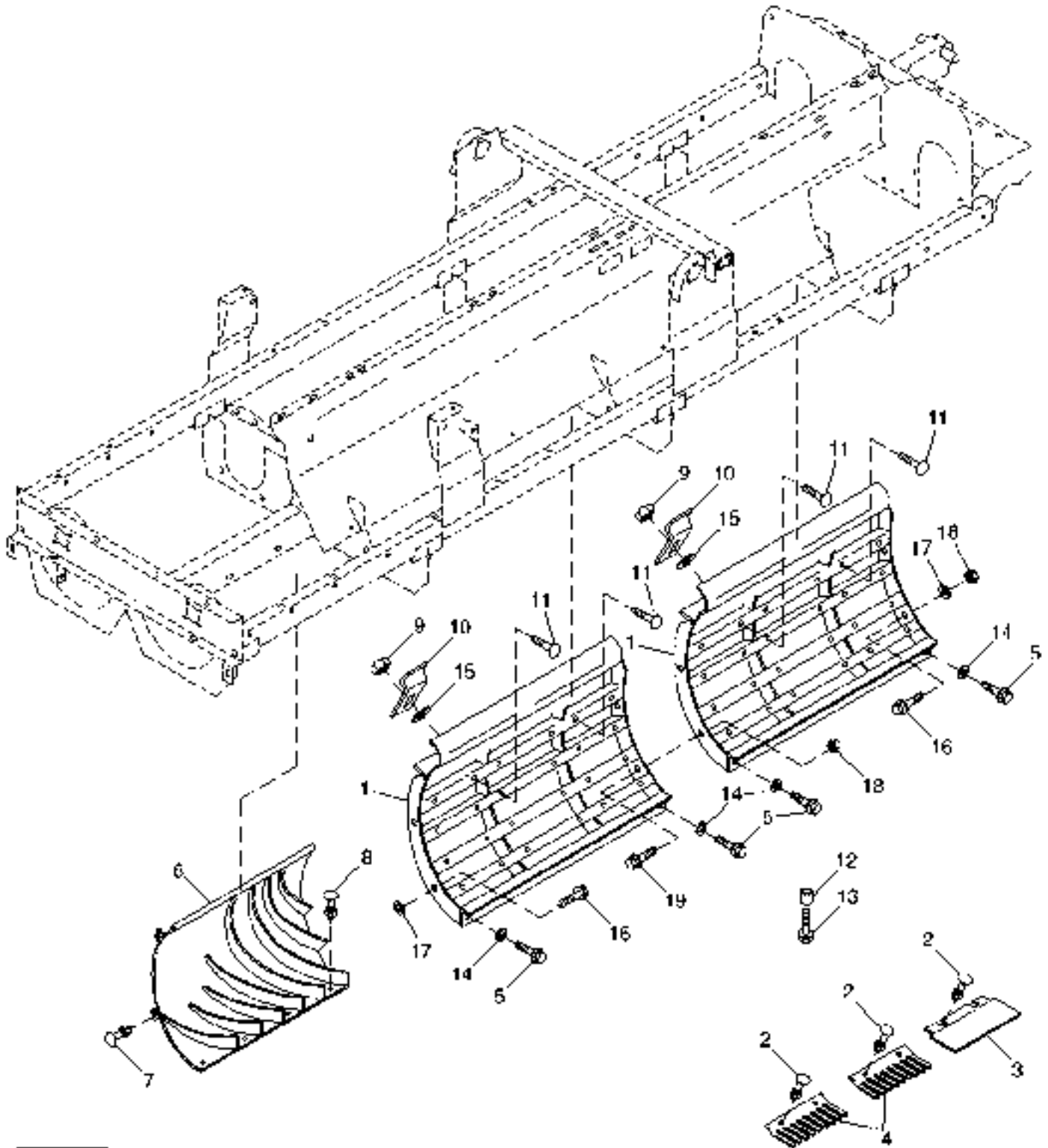
## MODULE FRONT BEARINGS AND LUBE LINES - CONTINUED

KEY	PART NO.	PART NAME	QTY	SERIAL NO.	REMARKS
1	H145845	COVER	1		
2	JD7797	LUBRICATION FITTING	2		
3	E12379	NUT	2		3.175 MM
4	H98301	HYDRAULIC HOSE	1		
5	E12378	ELBOW FITTING	2		
6	H113626	PRESSED FLANGED HOUSING	2		
7	JD9434	BEARING	2		
8	H113625	PRESSED FLANGED HOUSING	2		
9	AH121009	HOSE	1	-650400	1/8" X 910 MM (35-3/4") X 1/8"
	AH142000	HOSE	1	650401-	
10	JD7845	ELBOW FITTING	1		
11	03M7183	BOLT	6		M8 X 16
	14M7298	FLANGE NUT	6		M8
12	03M7198	BOLT	8		M12 X 30
	14M7299	FLANGE NUT	8		M12
13	03M7201	BOLT	4		M12 X 45
	14M7299	FLANGE NUT	4		M12
14	AH146364	PLATE	2	660401-	
15	14M7396	LOCK NUT	1	660401-	M8
16	19M7843	SCREW	2		M16 X 35
17	N72306	WASHER	2		16.662 X 50.800 X 6.350 MM

# 5E18

THRESHING AND SEPARATION

MODULE GRATE ASSEMBLY, FINGER BAR AND FILLER PLATE  
HP9682 -UN-11APR00



HP9682



# 5E19

## THRESHING AND SEPARATION

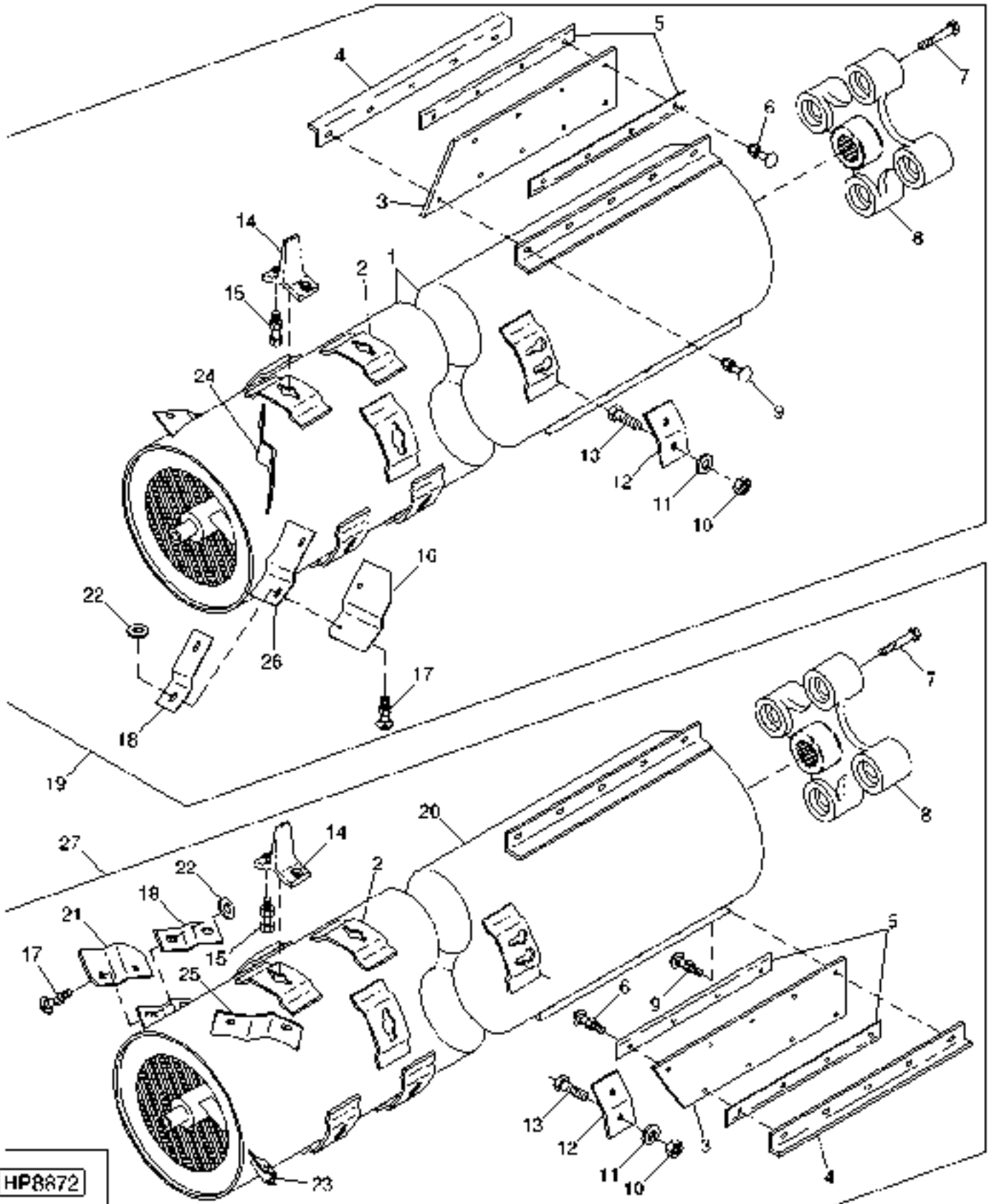
### MODULE GRATE ASSEMBLY, FINGER BAR AND FILLER PLATE - CONTINUED

KEY	PART NO.	PART NAME	QTY	SERIAL NO.	REMARKS
1	AH167146	FINGER GRATE	4		(SUB FOR AH138228) (RICE)
	AH140766	GRATE	4		(GRAIN)
2	03M7238	BOLT	AR		M10 X 35
	14M7296	FLANGE NUT	AR		M10
3	H173009	PLATE	18		(RICE)
	H150752	PLATE	12		(GRAIN)
	AH146360	COVER	AR		(GRAIN)
4	H147132	FINGER	36		(RICE)
	H150142	FINGER	72		(GRAIN)
5	19M7790	SCREW	AR		M12 X 35
6	AH139236	HOUSING	1		L.H.
	AH139237	HOUSING	1		R.H.
7	03M7191	BOLT	2		M10 X 25
	14M7296	FLANGE NUT	2		M10
8	03M7233	BOLT	2		M10 X 70
	03M7238	BOLT	AR		M10 X 35
	14M7296	FLANGE NUT	2		M10
9	14M7296	FLANGE NUT	AR		M10
10	H147286	CLIP	8		
11	03M7339	BOLT	8		M10 X 50
12	H146752	BUSHING	AR		(CORN CONVERSION)
13	19M7816	SCREW	AR		M12 X 65, (CORN CONVERSION)
14	24H1850	WASHER	AR		17/32" X 1-1/4" X 0.180"
15	24M7028	WASHER	AR		10.500 X 20 X 2 MM
	24M7178	WASHER	AR		10.500 X 30 X 2.500 MM, 1ST ROW
16	19M7835	SCREW	AR		M10 X 35
17	24M7178	WASHER	AR		10.500 X 30 X 2.500 MM
18	H135891	LOCK NUT	AR		
19	19M8162	CAP SCREW	AR		M10 X 40
..	<b>BH80132</b>	<b>COMPLETE GOODS/SHIP. BUNDLE</b>	<b>1</b>		<b>CORN CONVERSION</b>
..	<b>BH79980</b>	<b>COMPLETE GOODS/SHIP. BUNDLE</b>	<b>1</b>		<b>COVER ASSEMBLY, 7-ROW GRATE</b>

# 5E20

THRESHING AND SEPARATION

MODULE TINE SEPARATORS  
HP8872 -UN-29JUL99



# 5E21

## THRESHING AND SEPARATION

### MODULE TINE SEPARATORS - CONTINUED

KEY	PART NO.	PART NAME	QTY	SERIAL NO.	REMARKS
1	.....	TUBE	1		RIGHT-HAND
2	H146453	BRACKET	44		
3	H145364	PADDLE	2		
4	H145366	ANGLE	2		R.H.
	H145370	ANGLE	2		L.H.
5	H145363	STRIP	4		
6	03M7186	BOLT	8		M8 X 30
	14M7396	LOCK NUT	8		M8
7	19M7819	SCREW	4		M12 X 90
8	AH144617	COUPLING	1		(SUB FOR AH140146)
9	03M7238	BOLT	10		M10 X 35
	14M7400	LOCK NUT	10		M10
10	14M7396	LOCK NUT	AR		M8
11	24H1297	WASHER	AR		11/32" X 2" X 0.065", (MAY BE USED IN LIEU OF WEIGHT)
12	H147230	WEIGHT	AR		1.6 MM THICK
	H147231	WEIGHT	AR		3 MM THICK
	H147232	WEIGHT	AR		4.5 MM THICK
	H147233	WEIGHT	AR		6 MM THICK
	H147234	WEIGHT	AR		8 MM THICK
13	19M7867	SCREW	AR	-655400	M8 X 25
	03M7185	BOLT	AR	655401-	M8 X 25
14	H146455	TINE	16		(FROM FRONT TO REAR, FIRST FOUR ROWS)
	H146454	TINE	28		
15	19M7790	SCREW	88		M12 X 35
	14M7401	LOCK NUT	88		M12
16	H146006	BLADE	4		RIGHT-HAND
17	03M7238	BOLT	8		M10 X 35
	14M7296	FLANGE NUT	8		M10
18	H149415	WEIGHT	AR		8 MM THICK (USE EXISTING HARDWARE) (SUB FOR H147289)
	H149416	WEIGHT	AR		6 MM THICK (USE EXISTING HARDWARE) (SUB FOR H147290)
	H149417	WEIGHT	AR		4.5 MM THICK (USE EXISTING HARDWARE) (SUB FOR H147291)
	H149418	WEIGHT	AR		3 MM THICK (USE EXISTING HARDWARE) (SUB FOR H147292)
	H149419	WEIGHT	AR		1.6 MM THICK (USE EXISTING HARDWARE) (SUB FOR H147293)
19	AH161512	TUBE	1		(SUB FOR AH134351, AH143270 AND AH144712)
20	.....	HOUSING	1		RIGHT-HAND
21	H145943	BLADE	4		LEFT-HAND
22	24H1790	WASHER	AR		17/32" X 1-1/2" X 0.164", (MAY BE USED IN LIEU OF WEIGHT)
23	H168068	BRACKET	2		
24	H168069	BRACKET	2		
25	H168070	BRACKET	2		
26	H168071	SUPPORT	2		
27	AH161511	TUBE	1		(SUB FOR AH134349, AH143269 AND AH144711)
					LEFT-HAND

NOTE: QUANTITIES SHOWN ARE FOR ONE HOUSING ASSEMBLY ONLY.

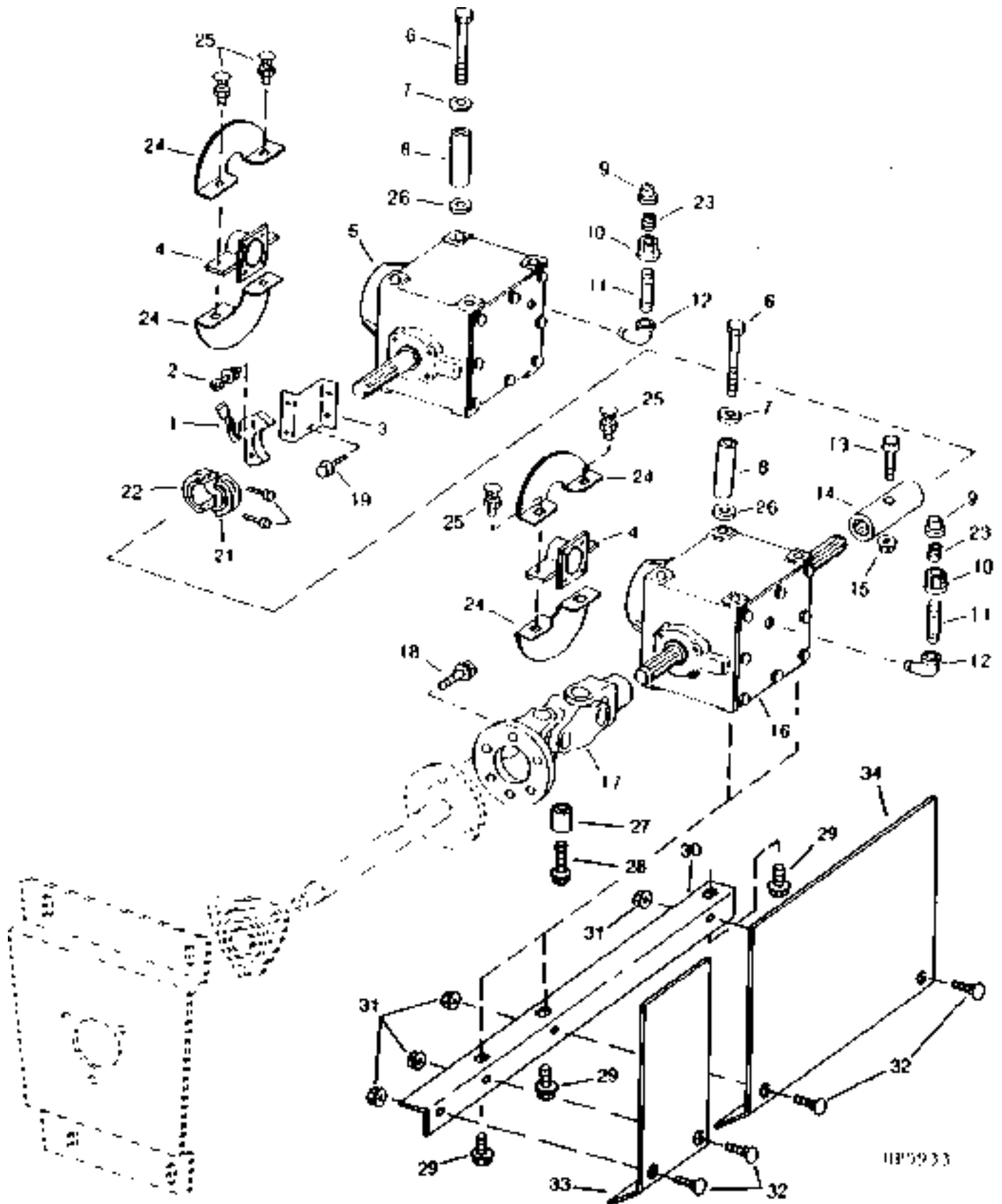
MEMORANDA

MEMORANDA

# 5F3

DRIVES

MODULE GEARBOX, SHAFT AND COUPLING  
HP5933 -UN-06MAR95



# 5F4

DRIVES

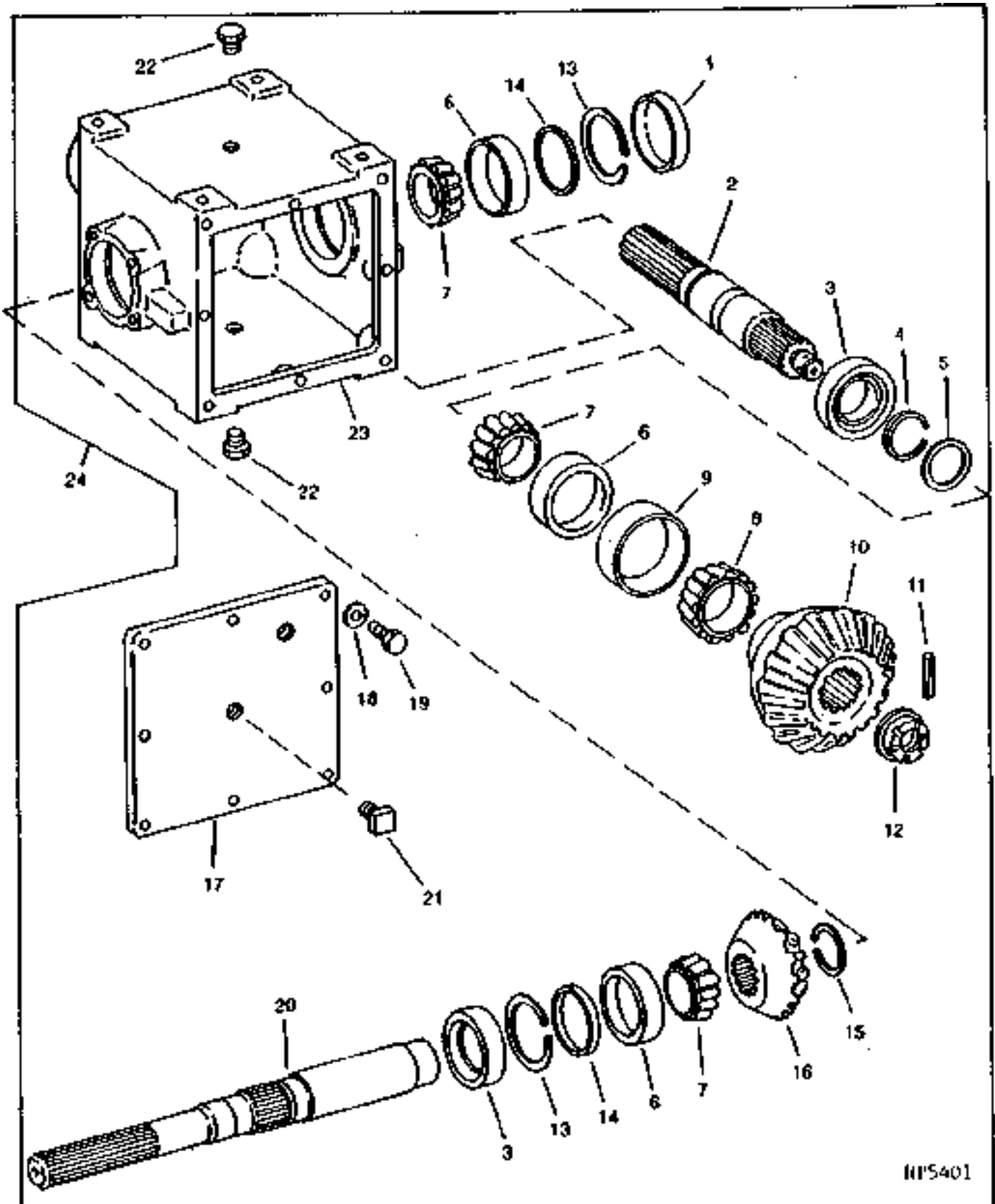
## MODULE GEARBOX, SHAFT AND COUPLING - CONTINUED

KEY	PART NO.	PART NAME	QTY	SERIAL NO.	REMARKS
1	AH131320	SWITCH	1		
2	21H1419	SCREW	2		0.190" X 1"
3	AH135813	BRACKET	1		
4	AH139887	SHIELD	2		
5	AH140498	GEAR CASE	1		R.H.
6	19M7837	SCREW	8		M12 X 110
7	24H1850	WASHER	8		17/32" X 1-1/4" X 0.180"
8	A25994	SPACER	8		9/16" X 1" X 3.100"
9	E14814	BREATHER	2		
10	15H579	COUPLING	2		3/8"
11	29H592	THREADED NIPPLE	2		1/2"
12	15H602	ELBOW FITTING	2		1/2"
13	19M7809	SCREW	1		M10 X 70
14	H170427	SPLINED COUPLING	1		(SUB FOR H140083)
15	14M7296	FLANGE NUT	1		M10
16	AH140499	GEAR CASE	1		L.H.
17	AH136599	UNIVERSAL JOINT	1		
18	19M7872	CAP SCREW	3		M12 X 25
19	19M7864	SCREW	2		M8 X 12
20	21H1419	SCREW	2		0.190" X 1"
21	H104794	ACTUATOR	1		
22	H104793	ACTUATOR	1		
23	15H511	PIPE BUSHING	2		
24	H145944	SHIELD	4		
25	03M7221	BOLT	4		M6 X 16
	14M7303	FLANGE NUT	4		M6
26	24H1849	WASHER	AR		13.487 X 25.400 X 0.914 MM (17/32" X 1" X 0.036")
27	H146752	BUSHING	AR	655542-	15.875 X 31.750 X 32 MM (5/8" X 1-1/4" X 1.260") (CORN CONVERSION)
28	19M7816	SCREW	AR	655542-	M12 X 65, (CORN CONVERSION)
29	19M7787	SCREW	3	655542-	M12 X 20
30	H147523	SHIELD	1	655542-	
31	14M7296	FLANGE NUT	4	655542-	M10
32	03M7190	BOLT	4	655542-	M10 X 20
33	H147522	SHIELD	1	655542-	L.H.
34	H147521	SHIELD	1	655542-	

# 5F5

DRIVES

MODULE DRIVE GEARCASE - R.H.  
HP5401 -UN-01JAN94



HP5401



# 5F6

DRIVES

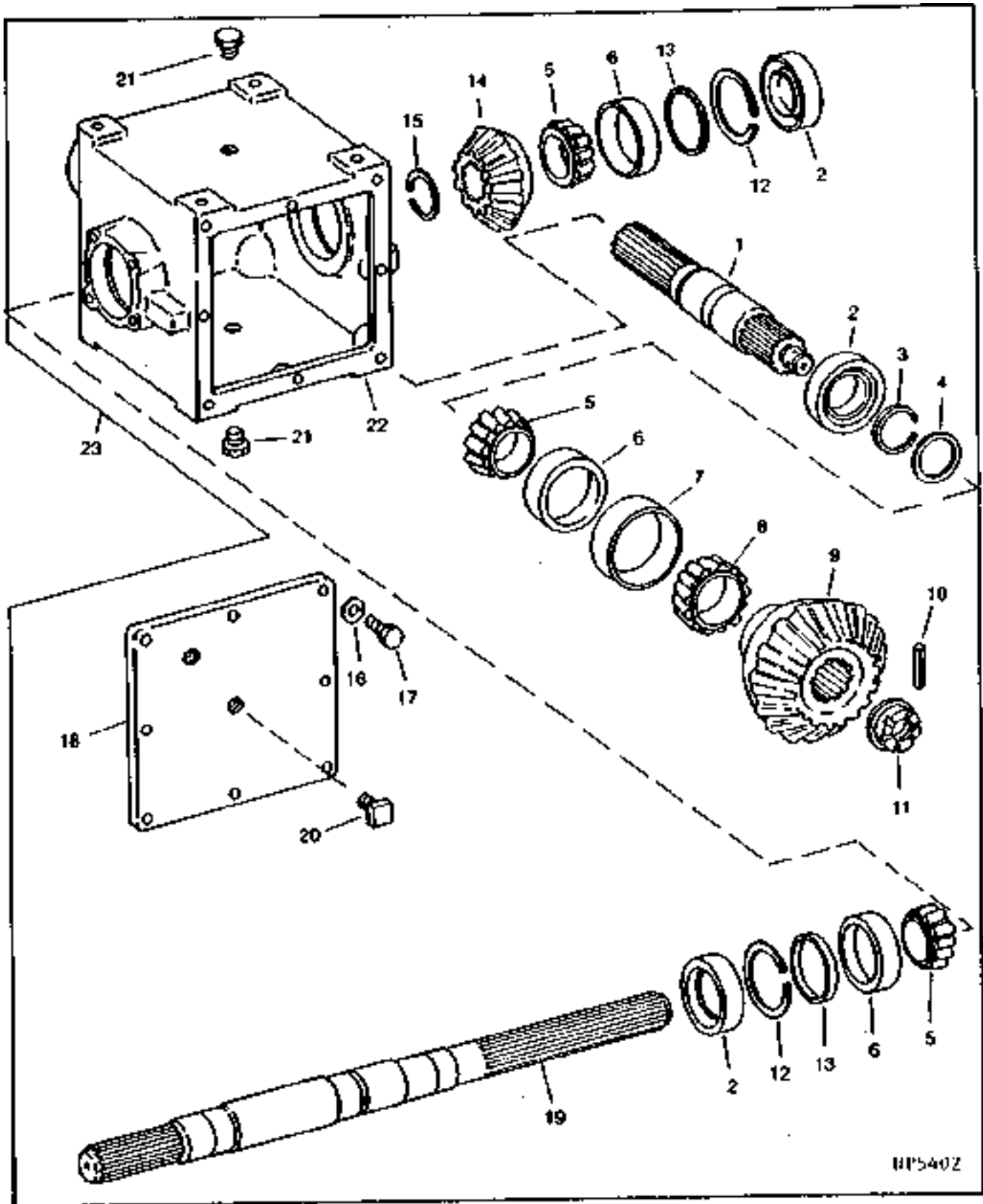
MODULE DRIVE GEARCASE - R.H. - CONTINUED

KEY	PART NO.	PART NAME	QTY	SERIAL NO.	REMARKS
1	CE16511	PLUG	1		
2	CE16592	DRIVE SHAFT	1		OUTPUT (USE WITH CE16510 SHIM AS REQUIRED)
3	DE17503	SEAL	2		
4	CE16595	SNAP RING	1		
5	CE16594	SHIM	1		
6	JD7441	BEARING	3		
7	JD8972	BEARING CONE	3		
8	JD7395	BEARING CONE	1		
9	JD7418	BEARING CUP	1		
10	CE16518	DRIVE SHAFT	1		24 TOOTH
11	34H270	SPRING PIN	1		
12	W34543	NUT	1		
13	CE16512	SNAP RING	2		
14	AH143432	KIT	1		SHIM
15	CE16544	SNAP RING	1		
16	CE16519	PINION	1		16 TOOTH
17	CE16596	CAP	1		
18	12M7065	LOCK WASHER	8		8.100 MM
19	19M7139	CAP SCREW	8		M8 X 20
20	CE16598	DRIVE SHAFT	1		INPUT
21	15H584	PIPE PLUG	1		OIL LEVEL
22	15H287	PIPE PLUG	2		OIL DRAIN
23	CE16591	GEAR CASE	1		SHELL
24	AH140498	GEAR CASE	1		COMPLETE
..	CE16510	SHIM	AR		

# 5F7

DRIVES

MODULE DRIVE GEARCASE - L.H.  
HP5402 -UN-01JAN94



HP5402

# 5F8

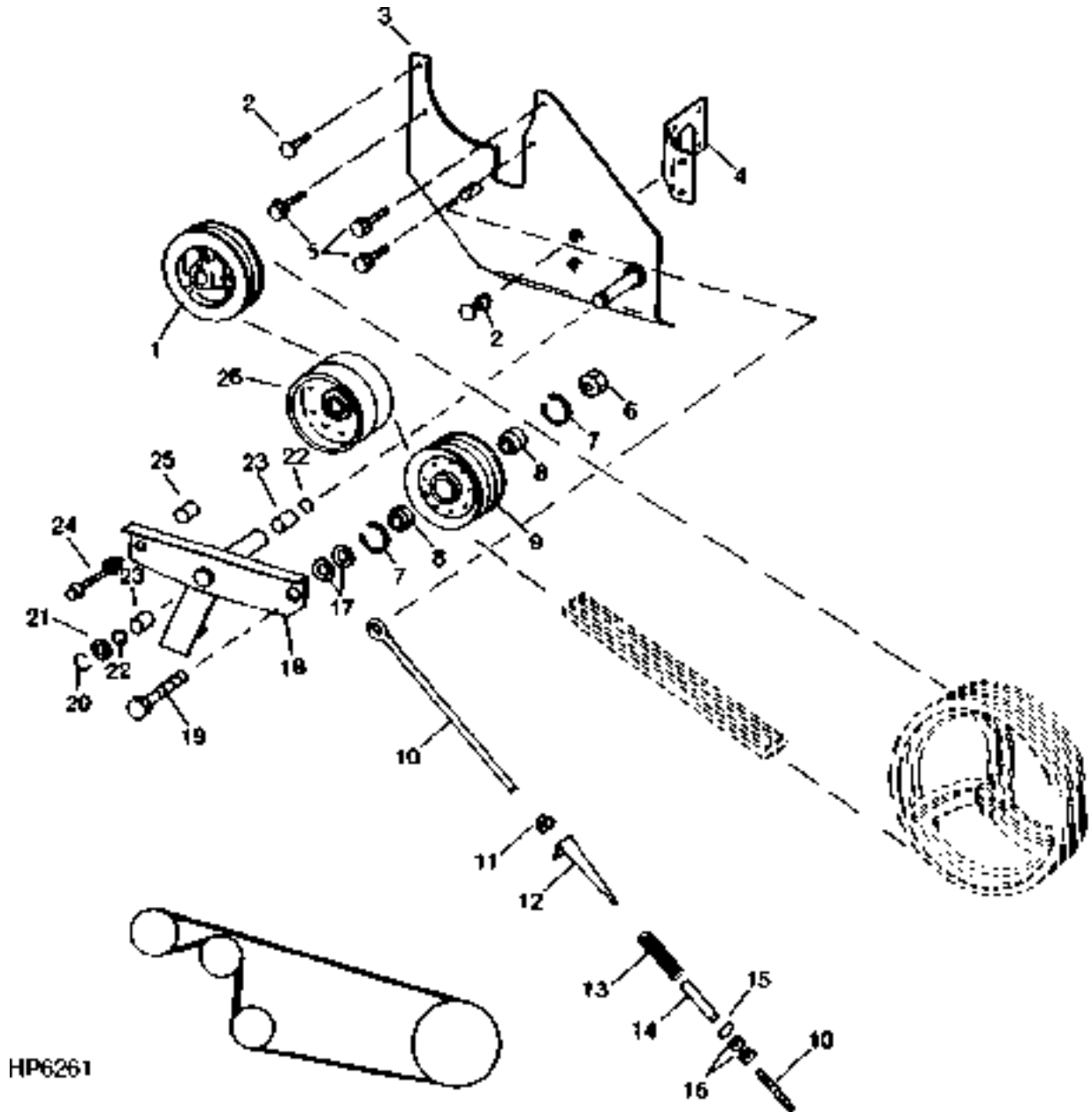
DRIVES

**MODULE DRIVE GEARCASE - L.H. - CONTINUED**

KEY	PART NO.	PART NAME	QTY	SERIAL NO.	REMARKS
1	CE16592	DRIVE SHAFT	1		OUTPUT (USE WITH CE16510 SHIM AS REQUIRED)
2	DE17503	SEAL	3		
3	CE16595	SNAP RING	1		
4	CE16594	SHIM	1		
5	JD8972	BEARING CONE	3		
6	JD7441	BEARING	3		
7	JD7418	BEARING CUP	1		
8	JD7395	BEARING CONE	1		
9	CE16518	DRIVE SHAFT	1		24 TOOTH
10	34H270	SPRING PIN	1		
11	W34543	NUT	1		
12	CE16512	SNAP RING	2		
13	AH143432	KIT	1		SHIM
14	CE16519	PINION	1		
15	CE16544	SNAP RING	1		
16	12M7065	LOCK WASHER	8		8.100 MM
17	19M7139	CAP SCREW	8		M8 X 20
18	CE16596	CAP	1		
19	CE16593	DRIVE SHAFT	1		INPUT
20	15H584	PIPE PLUG	1		OIL LEVEL
21	15H287	PIPE PLUG	2		OIL DRAIN
22	CE16591	GEAR CASE	1		SHELL
23	AH140499	GEAR CASE	1		COMPLETE
..	CE16510	SHIM	AR		

# 5F9

ENGINE GEARBOX TO MODULE DRIVES  
HP6261 -UN-23JAN96



HP6261

# 5F10

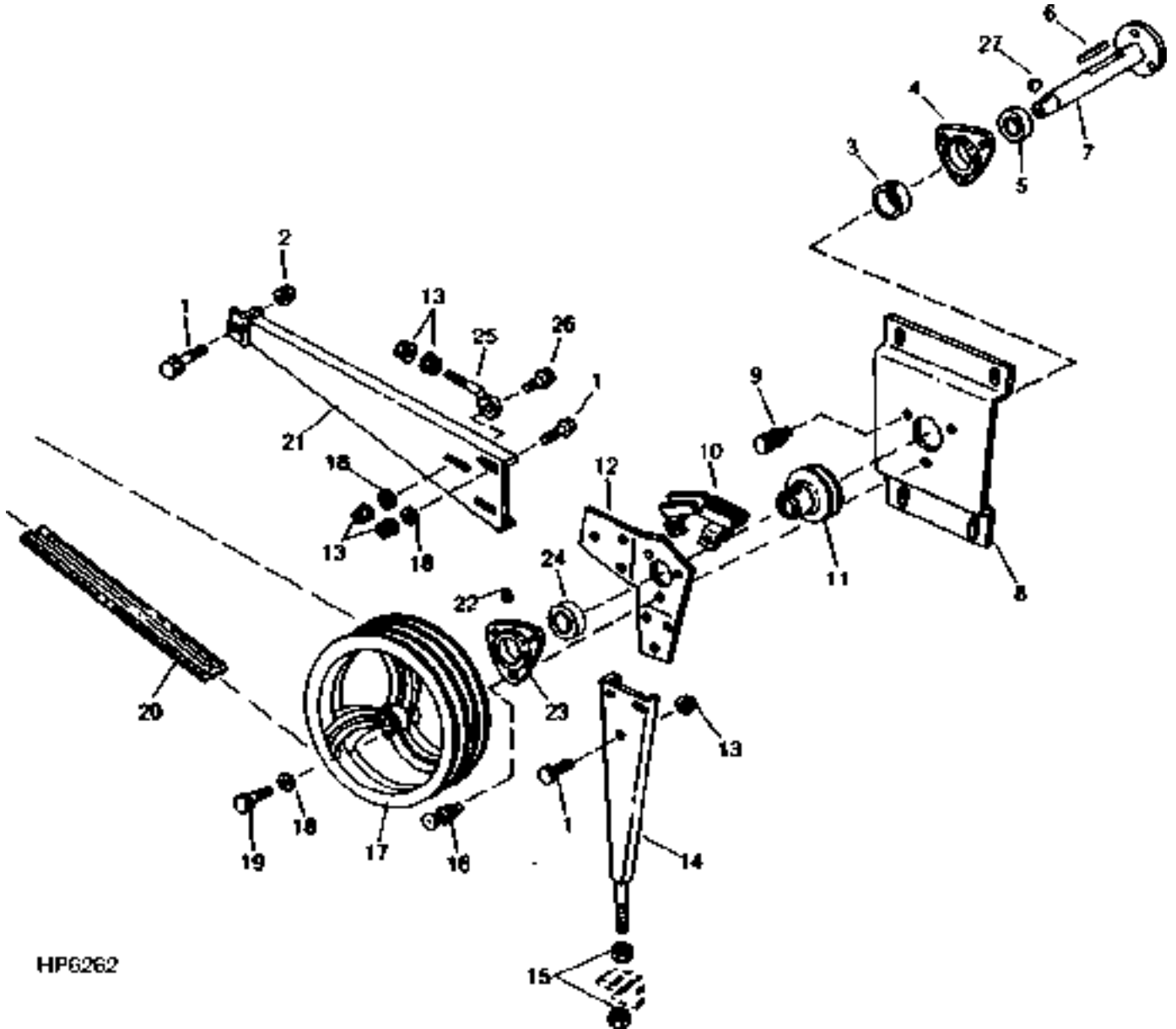
DRIVES

## ENGINE GEARBOX TO MODULE DRIVES - CONTINUED

KEY	PART NO.	PART NAME	QTY	SERIAL NO.	REMARKS
1	H141399	SHEAVE	1		
2	03M7191	BOLT	3	M10 X 25	
	14M7296	FLANGE NUT	3	M10	
3	AH138752	PLATE	1		
4	H141445	SUPPORT	1		
5	19M7786	SCREW	3	M10 X 30	
	14M7296	FLANGE NUT	3	M10	
6	14H830	NUT	1	7/8"	
7	J13683	SNAP RING	2		
8	JD8662	BALL BEARING	2		
9	H147128	SHEAVE	1		
10	H143311	EYEBOLT	1		
11	H129208	PIVOT	1		
12	H116862	GAUGE	1		
13	H86783	SPRING	1		
14	H141447	HOSE	1	-645544	(160MM) NO LONGER AVAILABLE, MAKE FROM TY22329 BULK HOSE
15	24H1373	WASHER	1		21/32" X 1-9/16" X 0.180"
16	14M7276	NUT	2	M16	
17	24H1429	WASHER	2		
18	AH137195	ARM	1		
19	19H2279	CAP SCREW	1		
20	P46402	SNAP RING	1		
21	24M7091	WASHER	1		26 X 44 X 4 MM
22	AA5607R	SEAL	2		
23	H99147	BUSHING	2		(SUB H171061)
	H171061	BEARING	2		
24	19M7819	SCREW	1	M12 X 90	
	14M7299	FLANGE NUT	1	M12	
25	H141448	BUSHING	1		
26	AH93318	IDLER	1		

# 5F11

ENGINE GEARBOX TO MODULE DRIVES - CONTINUED  
HP6262 -UN-23JAN96



HP6262

# 5F12

DRIVES

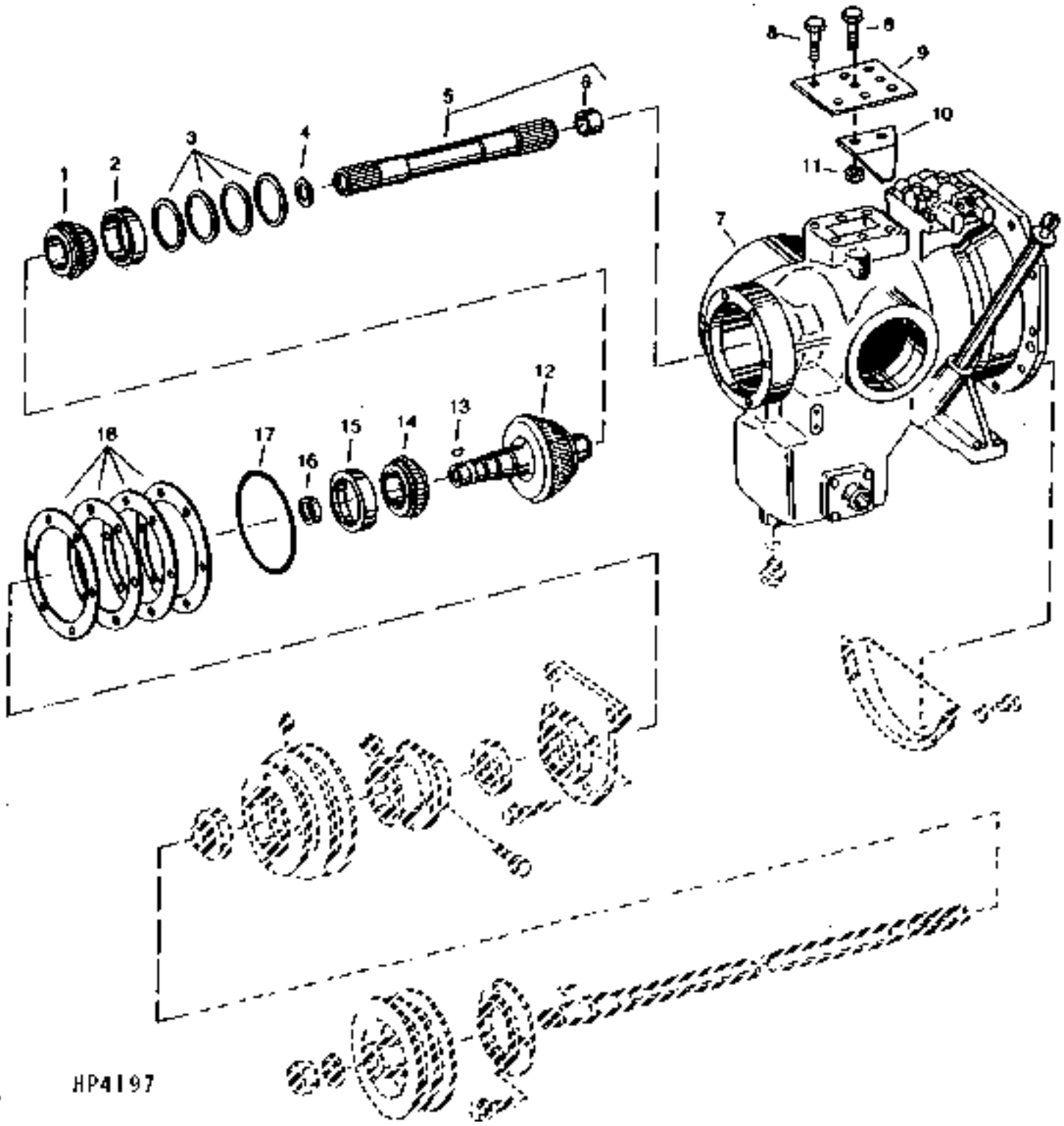
## ENGINE GEARBOX TO MODULE DRIVES - CONTINUED

KEY	PART NO.	PART NAME	QTY	SERIAL NO.	REMARKS
1	19M7789	SCREW	2		M12 X 30
2	14M7299	FLANGE NUT	1		M12
3	JD9201	ECCENTRIC LOCKING COLLAR	1		
4	H93927	HOUSING	1		
5	JD9276	BALL BEARING	1		
6	.....	SHAFT KEY	1		(MAKE FROM H64376 KEY STOCK)
7	H147229	SHAFT	1		
8	H155758	PLATE	1		(SUB FOR H143404)
9	19M7897	SCREW	3		M8 X 35
10	AH146394	TROUGH	1	660714-	
11	H143745	SHEAVE	1		STRAW CHOPPER
	AH137260	SHEAVE	1		STRAW SPREADER (ILLUSTRATED)
	AH148385	HOUSING	1	665769-	FINE CUT CHOPPER
12	H144524	PLATE	1		
13	14M7299	FLANGE NUT	7		M12
14	AH135958	BRACE	1		
15	14M7300	FLANGE NUT	2		M20
16	03M7193	BOLT	3		M10 X 35
	14M7299	FLANGE NUT	3		M12
17	H146292	SHEAVE	1		760 RPM STANDARD
	H147294	SHEAVE	1		500 RPM CORN
18	T20217	WASHER	3		12.954 X 43.942 X 6.350 MM (0.510" X 1.730" X 1/4")
19	19M7785	SCREW	1		M10 X 25
20	H141429	BELT	1		
21	AH135952	BRACE	1		
22	JD7788	LUBRICATION FITTING	1		
23	H144383	HOUSING	1		
24	DC30395	BALL BEARING	1		
25	H116065	EYEBOLT	1		
26	19M8112	SCREW	1		M12 X 55
27	26M6787	SHAFT KEY	1		

# 5F13

DRIVES

ENGINE GEARCASE  
(STRAW CHOPPER, UNLOADING AND SEPARATOR DRIVE GEAR)  
HP4197 -UN-01JAN94



HP4197



# 5F14

DRIVES

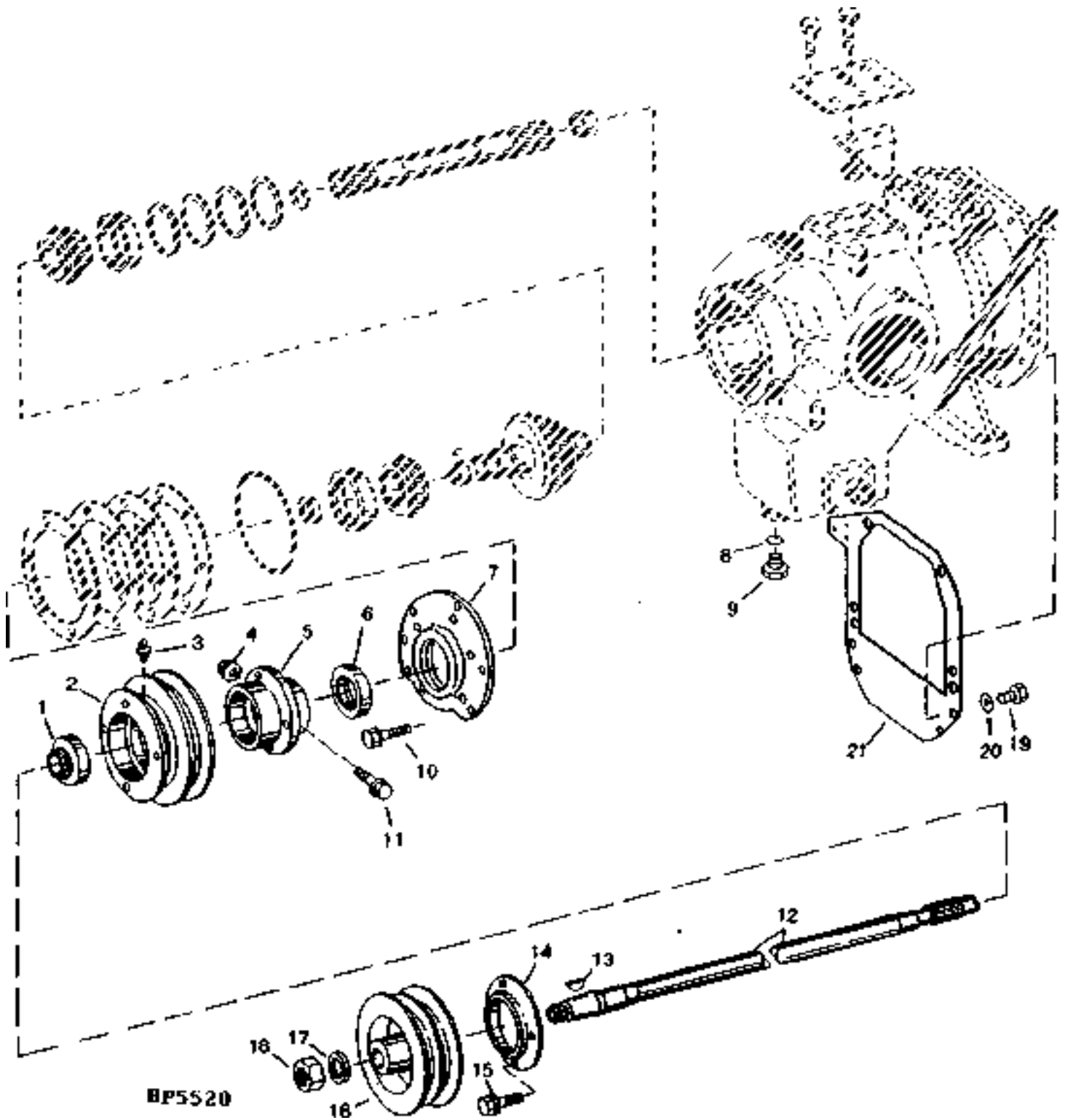
**ENGINE GEARCASE - CONTINUED  
(STRAW CHOPPER, UNLOADING AND SEPARATOR DRIVE GEAR)**

KEY	PART NO.	PART NAME	QTY	SERIAL NO.	REMARKS
1	JD9091	BEARING CONE	1		
2	JD9146	BEARING CUP	1		
3	L29041	SHIM	AR	0.08 ( MM )	.003 STEEL
	L29042	SHIM	AR	0.13 ( MM )	.005 STEEL
	L29043	SHIM	AR	0.25 ( MM )	.010 STEEL
	L29044	SHIM	AR	0.05 ( MM )	.020 STEEL
4	P46770	SNAP RING	1		
5	AH139118	SHAFT	1		(SUB FOR AH120978)
6	R43305	BUSHING	1		
7	H126587	GEAR CASE	1		
8	19M7866	SCREW	8		M8 X 20
9	H127159	COVER	1		USE TY15130
10	H130140	TROUGH	1		
11	14M7396	LOCK NUT	2		M8
12	.....	BEVEL GEAR DRIVE	1		37 TEETH- SERVICE WITH AH125207 (USED WITH 6076 ENGINE)
13	26H105	SHAFT KEY	1		3/8" X 2-1/8"
14	JD8162	BEARING CONE	1		
15	JD8206	BEARING CUP	1		
16	AT28975	SEAL	1		
17	H125838	O-RING	1		
18	H125740	SHIM	AR	0.08 ( MM )	.003 PLASTIC
	H125741	SHIM	AR	0.13 ( MM )	.005 STEEL
	H125742	SHIM	AR	0.25 ( MM )	.010 STEEL
	H125743	SHIM	AR	0.50 ( MM )	.020 STEEL
..	TY15130	SEALANT	1		SIZE- 3 OZ. RTV (CANADA PART NO TY9484)
..	AH125207	BEVEL GEAR	1		37 AND 56 TEETH
..	AH139323	GEAR CASE	1		

# 5F15

DRIVES

ENGINE GEARCASE  
(STRAW CHOPPER, UNLOADING AND SEPARATOR DRIVE GEAR)  
HP5520 -UN-01JAN94



# 5F16

DRIVES

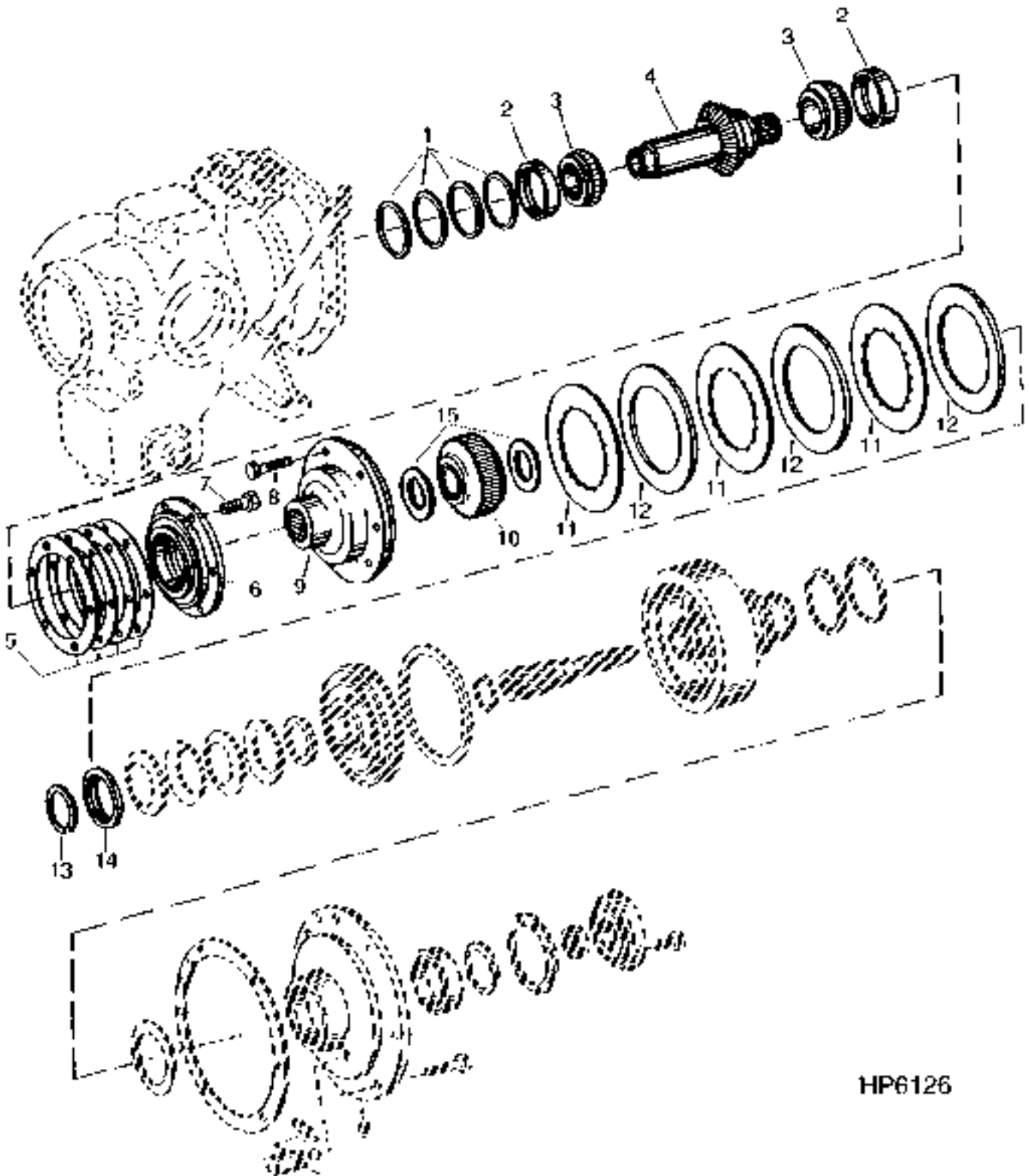
**ENGINE GEARCASE - CONTINUED  
(STRAW CHOPPER, UNLOADING AND SEPARATOR DRIVE GEAR)**

KEY	PART NO.	PART NAME	QTY	SERIAL NO.	REMARKS
1	AH108813	BALL BEARING	1	-27JA97	
	AH151653	BALL BEARING	1		
2	H141399	SHEAVE	1		
3	JD7797	LUBRICATION FITTING	1		
4	14M7296	FLANGE NUT	2	M10	
5	H101878	HUB	1		
6	AH117643	SEAL	1		
7	H144834	HOUSING	1		
8	R26906	O-RING	1		
9	R27474	DRAIN PLUG	1		
10	19M7835	SCREW	6	M10 X 35	
11	19M7812	SCREW	2	M10 X 100	
12	H129934	SHAFT	1		
13	26M6787	SHAFT KEY	1	10 X 32 MM	
14	H75385	PRESSED FLANGED HOUSING	1		
15	19M8306	SCREW	4	M12 X 50	
16	H129935	SHEAVE	1		
17	24H1481	WASHER	1	1-5/32" X 2" X 0.134"	
18	H82619	LOCK NUT	1		
19	19M7866	SCREW	1	M8 X 20	
20	24M7055	WASHER	4		
21	H145315	PLATE	1	(SUB H170303)	
	H170303	COVER	1		
..	TY15130	SEALANT	1	SIZE- 3 OZ. RTV (CANADA PART NO TY9484)	
..	AH125207	BEVEL GEAR	1	34 AMD 56 TEETH	
..	AH139323	GEAR CASE	1		

# 5F17

DRIVES

ENGINE GEARCASE  
(SEPARATOR DRIVE, WET-CLUTCH AND PUMP DRIVE SHAFT)  
HP6126 -UN-25AUG95



HP6126

# 5F18

DRIVES

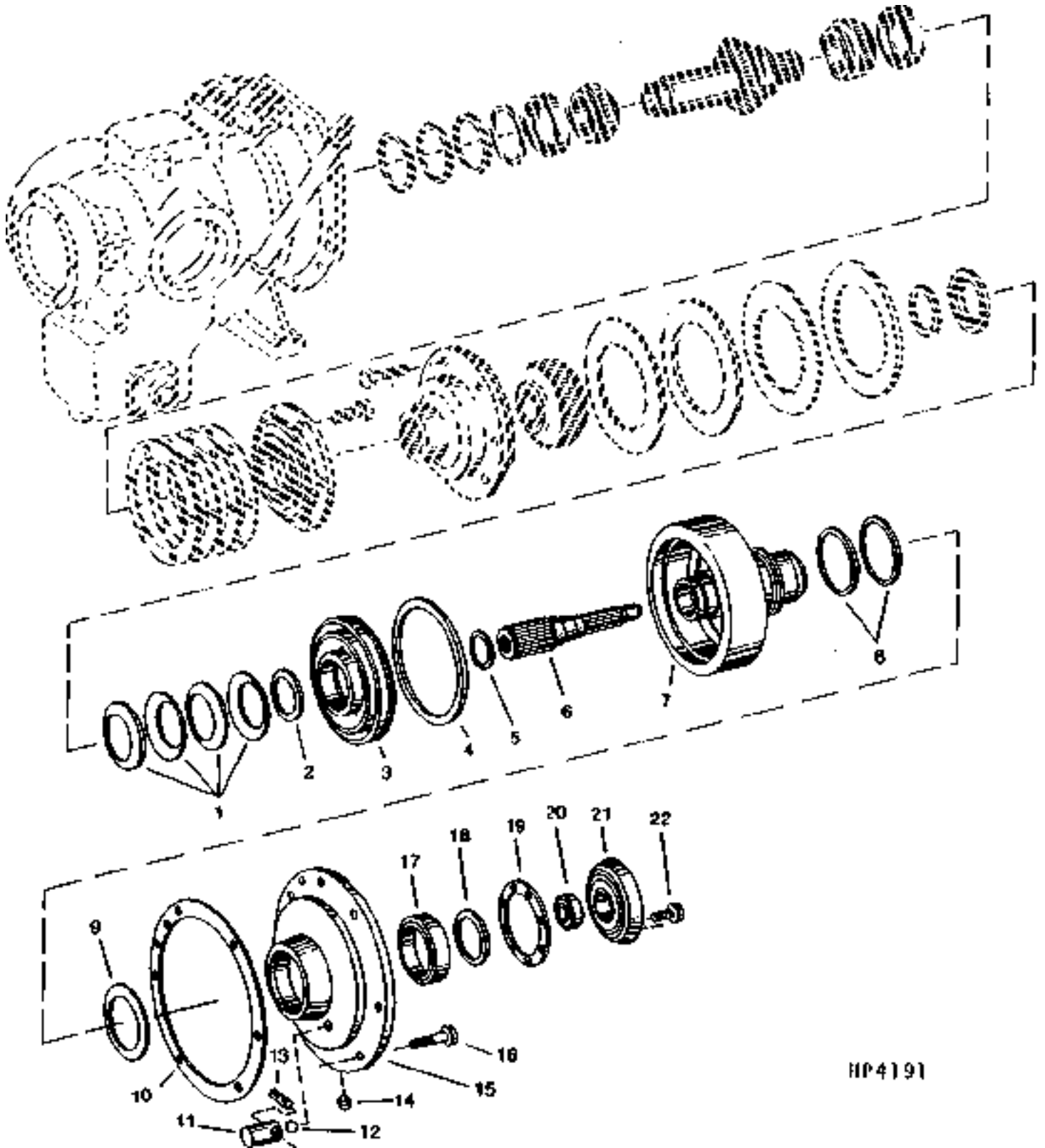
**ENGINE GEARCASE - CONTINUED**  
**(SEPARATOR DRIVE, WET-CLUTCH AND PUMP DRIVE SHAFT)**

KEY	PART NO.	PART NAME	QTY	SERIAL NO.	REMARKS
1	H119028	SHIM	AR	0.08 (MM) .003 PLASTIC	
	H119029	SHIM	AR	0.13 (MM) .005 STEEL	
	H119030	SHIM	AR	0.25 (MM) .010 STEEL	
	H119031	SHIM	AR	0.50 (MM) .020 STEEL	
2	JD8206	BEARING CUP	2		
3	JD8162	BEARING CONE	2		
4	.....	GEAR	1		33 TEETH - SERVICE IN AH125293 USED WITH 6076 ENGINE
5	H125740	SHIM	AR	0.08 (MM) .003 PLASTIC	
	H125741	SHIM	AR	0.13 (MM) .005 STEEL	
	H125742	SHIM	AR	0.25 (MM) .010 STEEL	
	H125743	SHIM	AR	0.50 (MM) .020 STEEL	
6	H125733	HOUSING	1		
7	19M7835	SCREW	6	M10 X 35	
8	19M7786	SCREW	6	M10 X 30	
9	H144762	HUB	1		
10	AH138660	HUB	1		
11	AH125490	CLUTCH DISK	3		(CORN AND RICE ONLY)
12	T70309	PLATE	3		(CORN AND RICE ONLY)
13	T50409	SNAP RING	1		
14	T49676	RETAINER	1		
15	R76674	WASHER	2		71.374 X 85.090 X 1.575 MM (2.810" X 3.350" X 1/16")

# 5F19

DRIVES

ENGINE GEARCASE  
HP4191 -UN-01JAN94



HP4191

# 5F20

DRIVES

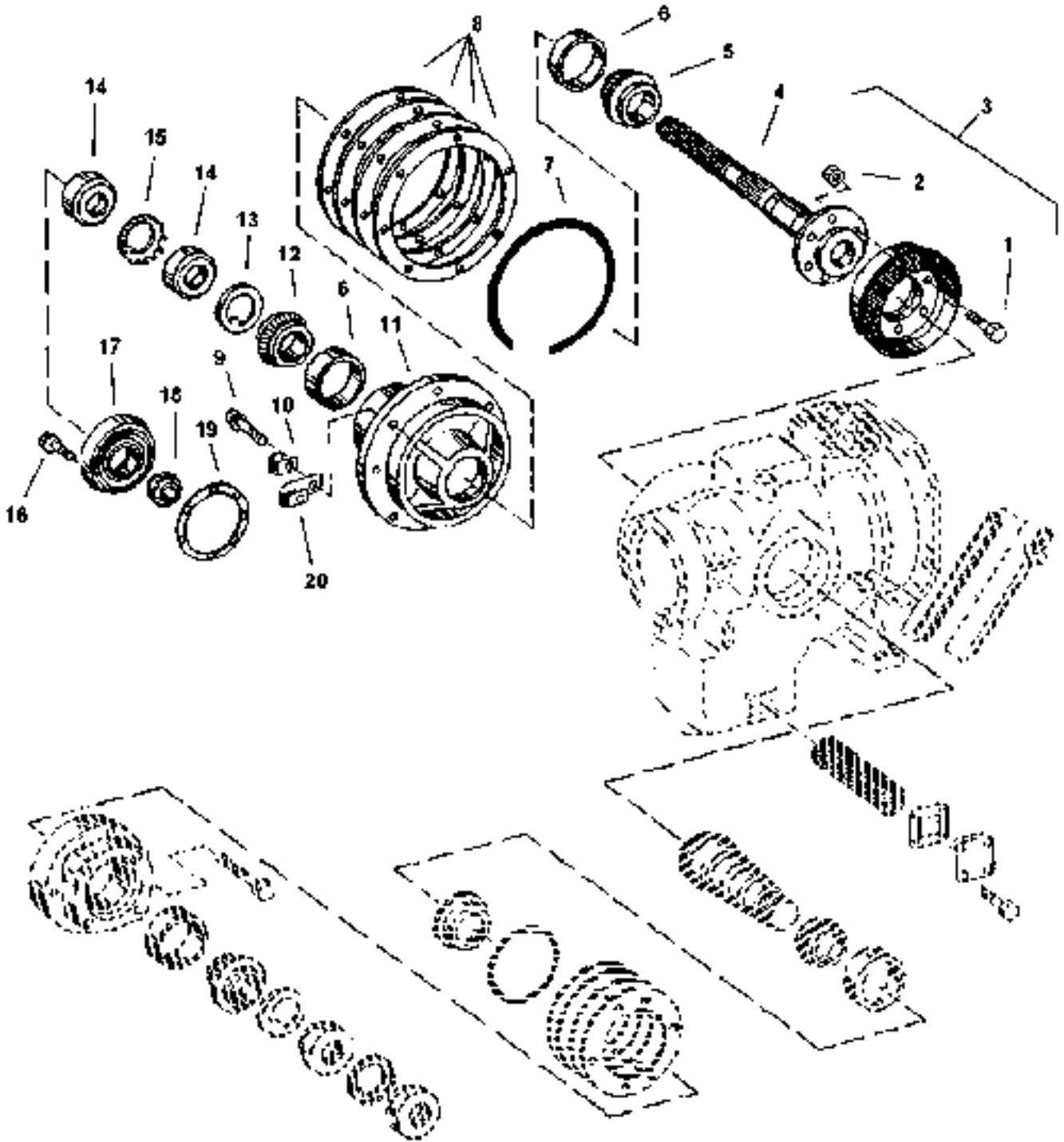
## ENGINE GEARCASE - CONTINUED

KEY	PART NO.	PART NAME	QTY	SERIAL NO.	REMARKS
1	T50415	DISK SPRING	4		
2	T62508	WASHER	1		
3	H128937	PISTON	1		
4	T62509	WASHER	1		
5	H132400	PISTON RING	1		
6	H148768	SHAFT	1		(SUB FOR H125351)
7	H144759	DRUM	1		
8	R77764	RING	2		
9	R76937	WASHER	1		
10	H125354	GASKET	1		
11	R68824	SEAT	1		
12	400R	BALL	1		
13	H111474	PIN	1		
14	15H559	PIPE PLUG	1		USE TY9374
15	AH120737	HOUSING	1		
16	19M7835	SCREW	6		M10 X 35
17	JD8676	BALL BEARING	1		
18	T14323	SNAP RING	1		
19	H125356	GASKET	1		
20	AT48334	SEAL	1	-650400	
	AH142870	SEAL	1	650401-	
21	H148769	HOUSING	1		(SUB FOR H125355)
22	19M7863	SCREW	8		M6 X 25
..	TY9374	SEALANT	1		SIZE- 6 ML
..	AH125293	GEAR	1		
..	AH139323	GEAR CASE	1		

# 5F21

DRIVES

ENGINE GEARCASE  
(SEPARATOR AND PUMP DRIVE)  
HP7244 -UN-07NOV97



HP7244



# 5F22

DRIVES

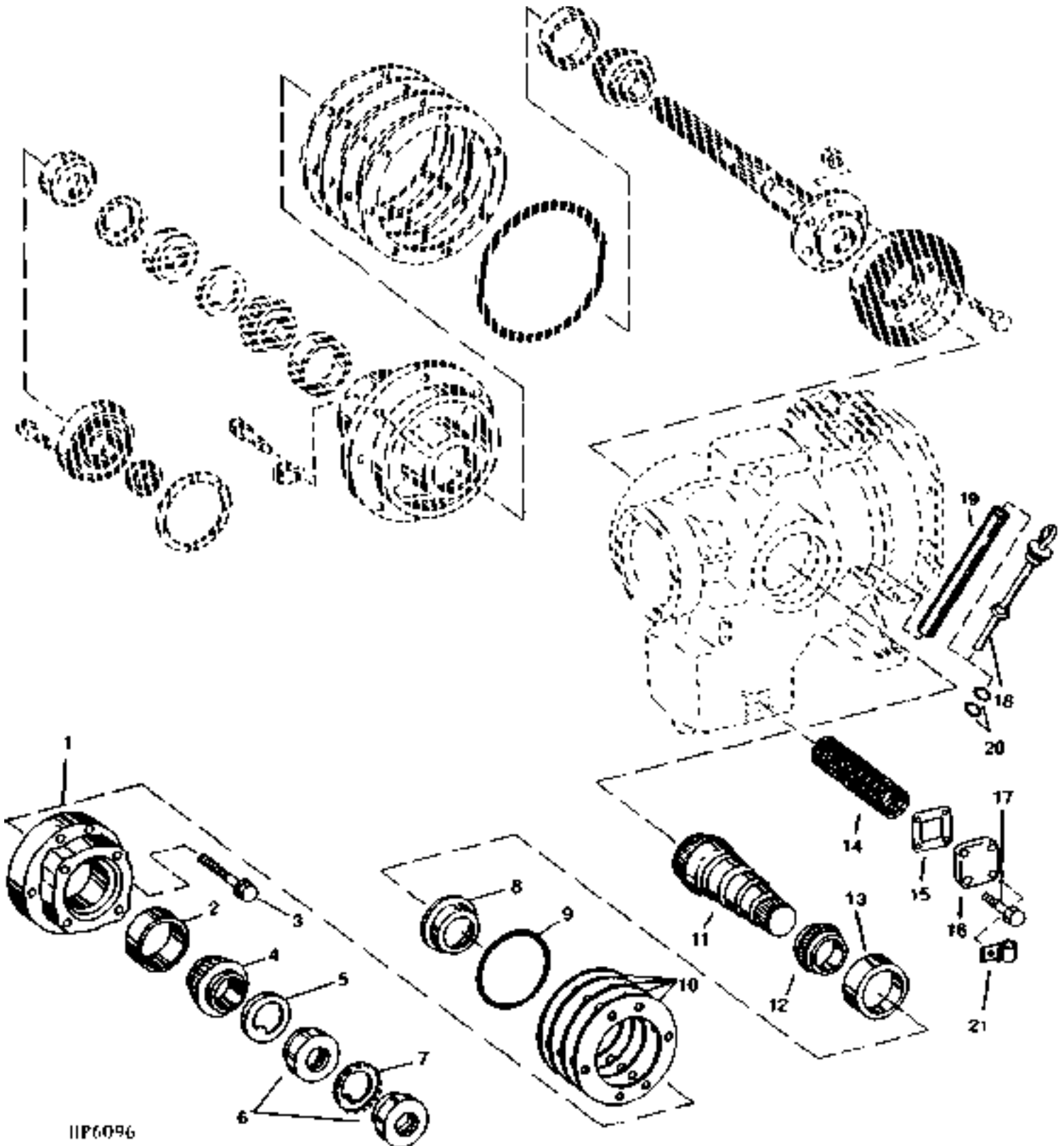
**ENGINE GEARCASE - CONTINUED  
(SEPARATOR AND PUMP DRIVE)**

KEY	PART NO.	PART NAME	QTY	SERIAL NO.	REMARKS
1	H110178	SCREW	6		USE TY9371
2	14M7274	NUT	6		M10
3	.....	GEAR	1		ORDER AH125207 56 TEETH USED WITH 6076 ENGINE, (ORDER AH121216)
4	H148770	HUB	1		(SUB FOR H126069)
5	JD8162	BEARING CONE	1		
6	JD8206	BEARING CUP	2		
7	H125839	O-RING	1		
8	H125841	SHIM	AR		0.08 (MM) .003 PLASTIC
	H125842	SHIM	AR		0.13 (MM) .005 STEEL
	H125843	SHIM	AR		0.25 (MM) .010 STEEL
	H125844	SHIM	AR		0.50 (MM) .020 STEEL
9	19M7835	SCREW	7		M10 X 35
10	AH96317	CLIP	1	-665400	(SUB FOR AH89486)
	AH90990	CLIP	1	665401-	
11	H125840	HOUSING	1		
12	JD9007	BEARING CONE	1		
13	H110800	LOCK WASHER	1		
14	H122650	LOCK NUT	2		
15	H110801	LOCK WASHER	1		
16	19M7863	SCREW	8		M6 X 25
17	H148769	HOUSING	1		(SUB FOR H125355)
18	AT48334	SEAL	1	-650400	
	AH142870	SEAL	1	650401-	
19	H125356	GASKET	1		
20	AH117301	CLAMP	1	29SEP7-	

# 5F23

DRIVES

ENGINE GEARCASE  
(SEPARATOR AND PUMP DRIVE)  
HP6096 -UN-28JUN95



HP6096

# 5F24

DRIVES

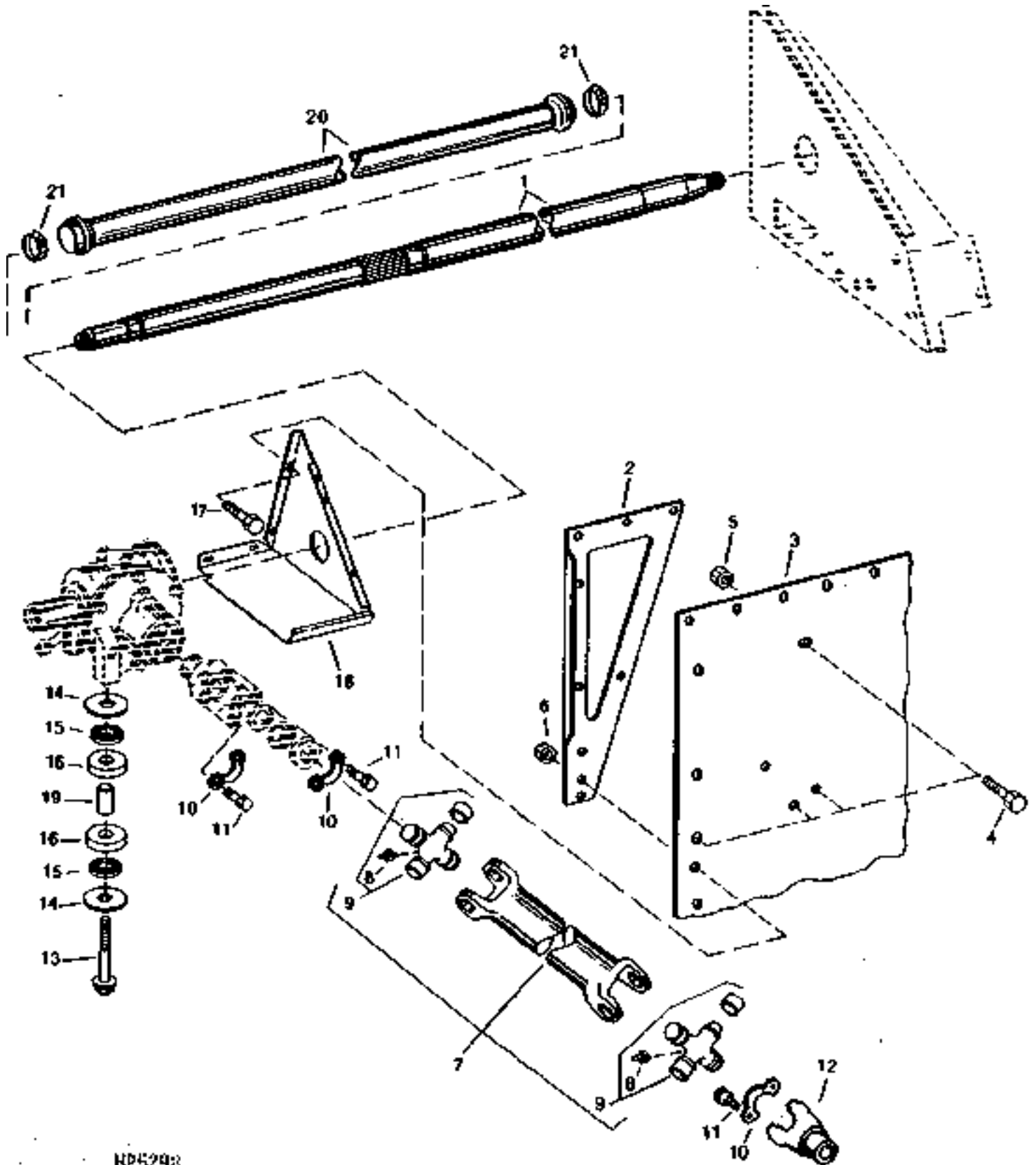
**ENGINE GEARCASE - CONTINUED  
( SEPARATOR AND PUMP DRIVE )**

KEY	PART NO.	PART NAME	QTY	SERIAL NO.	REMARKS
1	H125738	HOUSING	1		
2	JD8206	BEARING CUP	1		
3	19M7805	SCREW	5		
4	JD9007	BEARING CONE	1		
5	H110800	LOCK WASHER	1		
6	H122650	LOCK NUT	2		
7	H110801	LOCK WASHER	1		
8	H125837	OIL CUP	1		
9	R72032	O-RING	1		
10	H125734	SHIM	AR		0.08 (MM) .003 PLASTIC
	H125735	SHIM	AR		0.13 (MM) .005 STEEL
	H125736	SHIM	AR		0.25 (MM) .010 STEEL
	H125737	SHIM	AR		0.50 (MM) .020 STEEL
11	.....	GEAR	1		22 TEETH, USED WITH 6076 ENGINE & RING & PINION FINAL DRIVES - ORDER AH125293
12	JD9075	BEARING CONE	1		
13	JD9132	BEARING CUP	1		
14	R53169	SCREEN	1		
15	H126792	GASKET	1		
16	H126793	COVER	1		
17	19M7868	SCREW	4		M8 X 30
18	AH168683	DIPSTICK	1		(SUB FOR AH137310)
19	H132995	TUBE	1		USE TY9371
20	A4730R	O-RING	2		
21	AH90990	CLIP	2	665401-	
..	TY9371	ADHESIVE	1		6 ML HIGH STRENGTH
..	AH125207	BEVEL GEAR	1		
..	AH125293	GEAR	1		
..	AH139321	GEAR CASE	1		(SUB FOR AH134861) USED WITH 6076 ENGINE WITH RING & PINION FINAL DRIVE - LESS DIPSTICK

# 5G1

DRIVES

DRIVE SHAFT, GEARCASE MOUNTING AND PRIMARY COUNTERSHAFT  
HP5298 -UN-01JAN94



HP5298

# 5G2

DRIVES

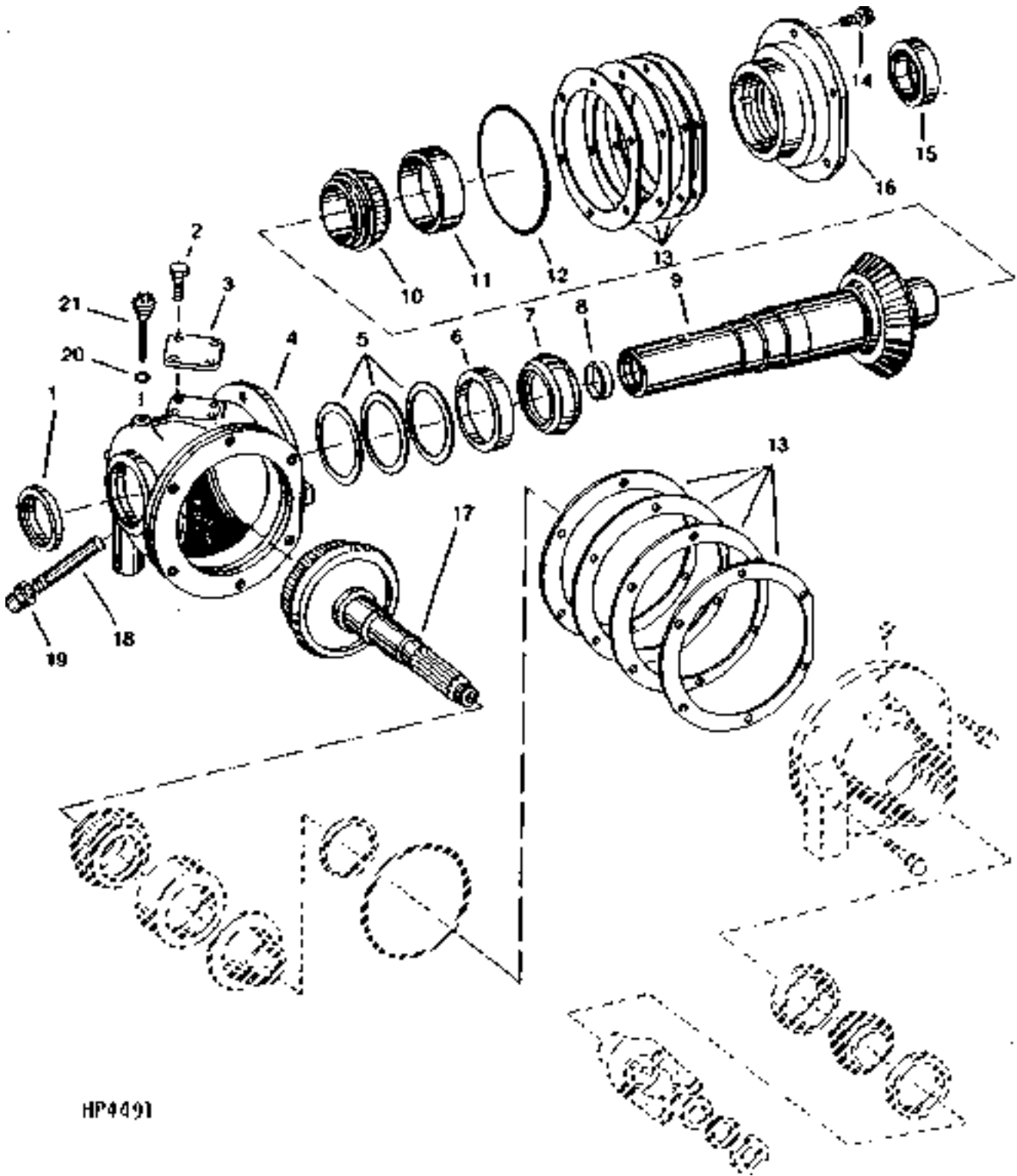
**DRIVE SHAFT, GEARCASE MOUNTING AND PRIMARY COUNTERSHAFT - CONTINUED**

KEY	PART NO.	PART NAME	QTY	SERIAL NO.	REMARKS
1	H147483	SHAFT	1		(SUB FOR H127189)
2	H131228	ANGLE	1		
3	H147911	SHEET	1		(SUB FOR H143385 OR H145530)
4	19M7866	SCREW	4		M8 X 20
5	14M7298	FLANGE NUT	4		M8
6	14M7296	FLANGE NUT	5		M10
7	AH125688	DRIVE SHAFT	1		
8	JD7797	LUBRICATION FITTING	2		
9	AH122018	UNIVERSAL JOINT	2		
10	R85168	CLAMP	4		
11	R85169	SELF-LOCKING SCREW	8		
12	H121681	YOKE	1		
13	19M7827	SCREW	2		M16 X 80
14	P50456	WASHER	4		
15	H148132	BUSHING	4		(SUB FOR H80197)
16	H148133	RETAINER	1		(SUB FOR H78856)
17	19M7785	SCREW	5		M10 X 25
18	AH135565	SHEET	1		
19	H148134	SPACER	2		(SUB FOR H85482)
20	AH141389	KIT	1		INCLUDES (2) TY22494 CLAMPS
21	TY22494	HOSE CLAMP	2		(SUB FOR AR60499)

# 5G3

DRIVES

PRIMARY COUNTERSHAFT GEARCASE  
HP4491 -UN-01JAN94



HP4491

# 5G4

DRIVES

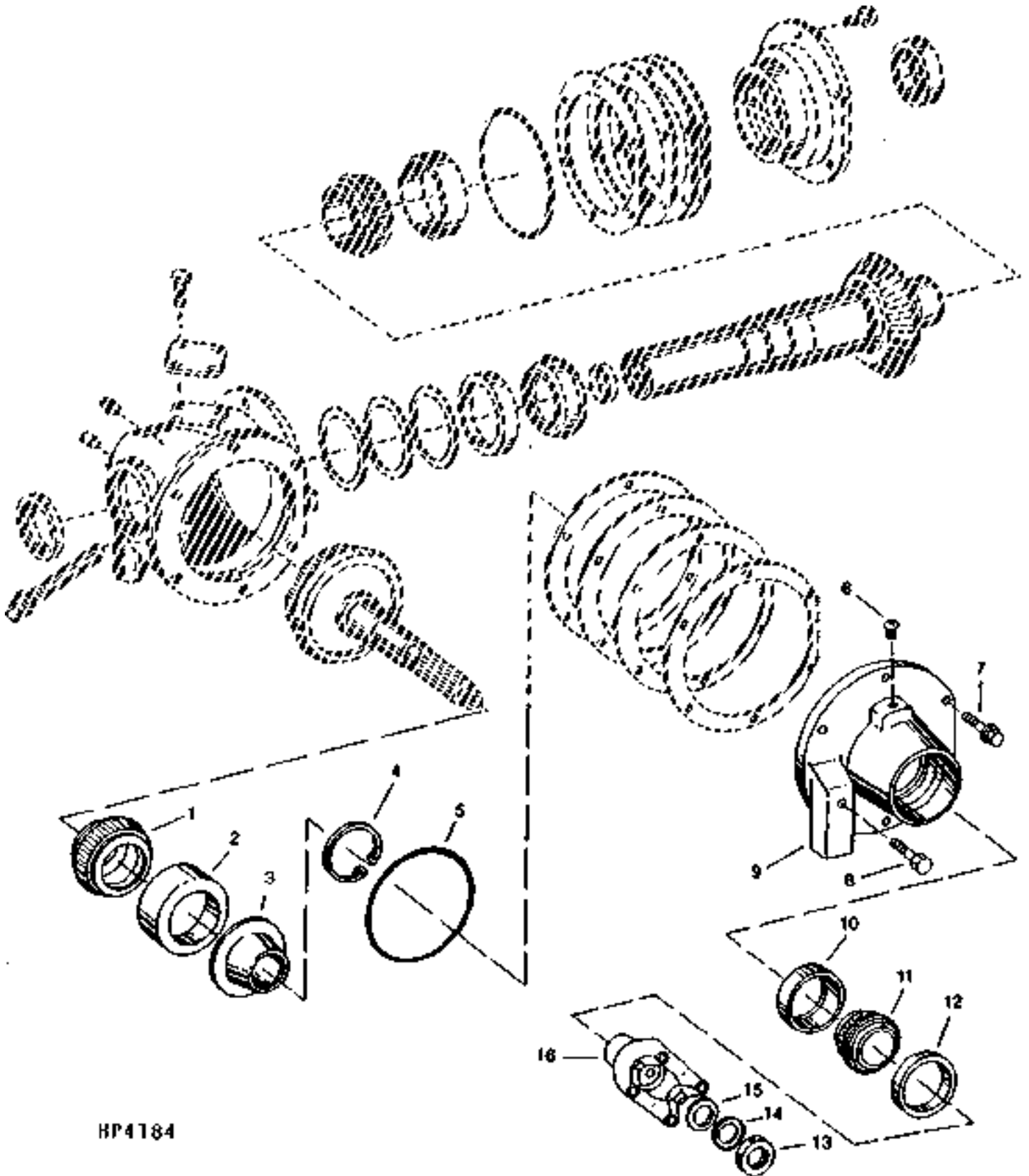
**PRIMARY COUNTERSHAFT GEARCASE - CONTINUED**

KEY	PART NO.	PART NAME	QTY	SERIAL NO.	REMARKS
1	AH137772	SEAL	1		
2	19M7866	SCREW	4		
3	H75267	COVER	1		
4	H145001	GEAR CASE	1		
5	T34354	SHIM	AR		0.050 MM (0.002") THICK, (ORDER AT146272) NO LONGER AVAILABLE
	T34355	SHIM	AR		0.127 MM (0.005") (ORDER AT146272) NO LONGER AVAILABLE
	T34356	SHIM	AR		0.254 MM (0.010") THICK, (ORDER AT146272) NO LONGER AVAILABLE
	AT146272	SHIM	1		
6	JD8210	BEARING CUP	1		
7	JD8164	BEARING CONE	1		
8	T69027	SEAL	1		
9	.....	GEAR	1		(SUB AH125243) 41 TOOTH
10	JD7378	BEARING CONE	1		
11	JD7292	BEARING CUP	1		
12	H125838	O-RING	1		177.165 X 5.334 MM (6.975" X 0.210")
13	H114226	SHIM	2		0.080 MM (0.003") USE ONLY ONE PER SIDE
	H114227	SHIM	AR		0.130 MM (0.005")
	H114228	SHIM	AR		0.250 MM (0.010")
	H118927	SHIM	AR		0.500 MM (0.020")
14	19M7786	SCREW	6		M10 X 30
15	E56866	SEAL	1		
16	H126564	HOUSING	1		
17	.....	GEAR	1		(SUB AH125243) 41 TOOTH
18	29H217	THREADED NIPPLE	1		1/2"
19	15H3	FITTING	1		1/2"
20	R26375	O-RING	1		
21	AH141022	DIPSTICK	1		
..	AH125243	GEAR	1		GEARS, MATCHED SET WITH SHAFT
..	T43512	SEALANT	1		MEDIUM STRENGTH - 50 ML, CANADA NO. TY9477
..	H116160	SEALANT	1		6 ML, (3 OZ.), TUBE
..	TY15130	SEALANT	1		6 ML, (3 OZ.) CANADA NO. TY9484
..	AH141049	GEAR CASE	1		

# 5G5

DRIVES

PRIMARY COUNTERSHAFT GEARCASE  
HP4184 -UN-01JAN94



HP4184



# 5G6

DRIVES

**PRIMARY COUNTERSHAFT GEARCASE - CONTINUED**

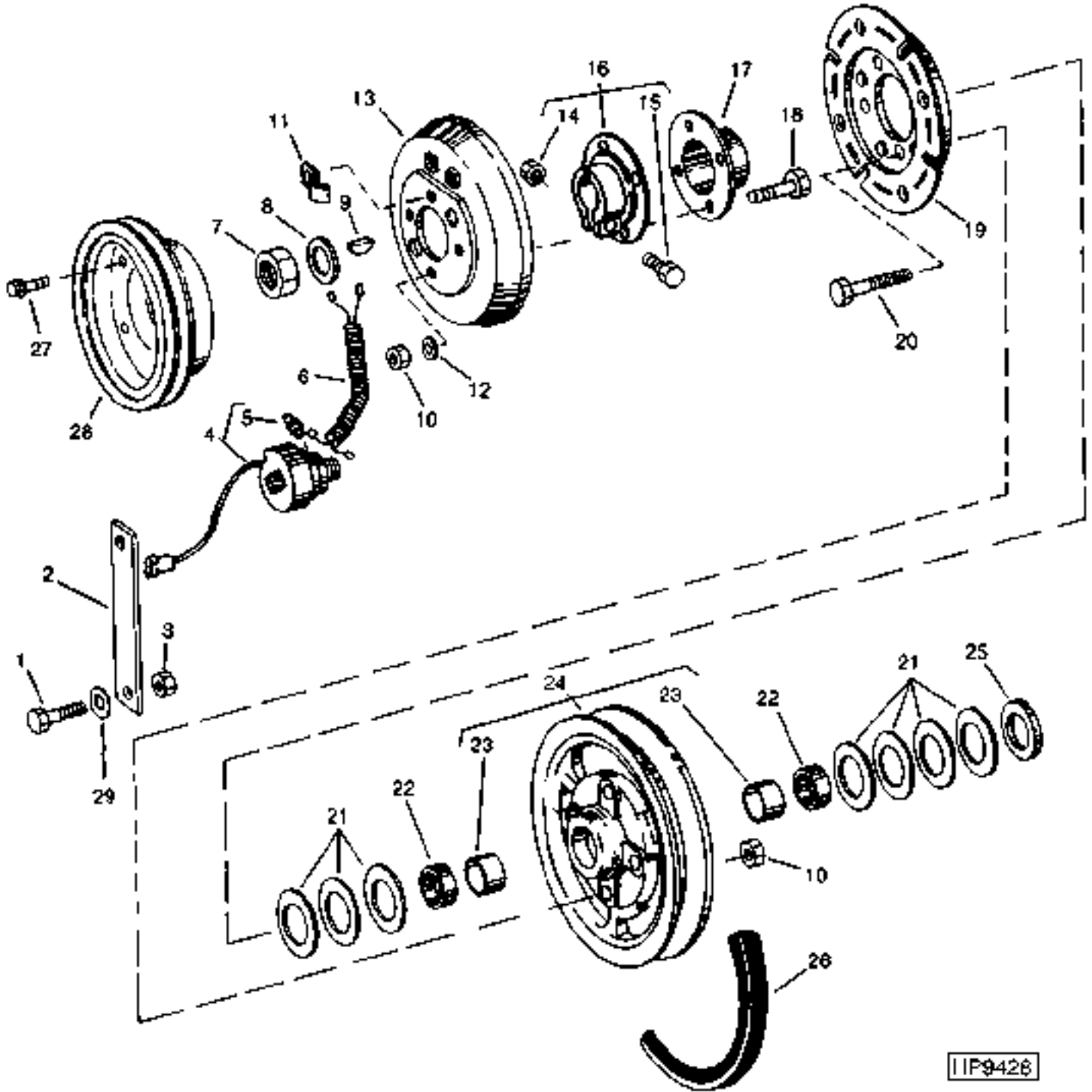
KEY	PART NO.	PART NAME	QTY	SERIAL NO.	REMARKS
1	JD9078	BEARING CONE	1		
2	JD8255	BEARING CUP	1		
3	H129844	RETAINER	1		
4	T41201	SNAP RING	1		
5	H125838	O-RING	1		
6	U14273	BREATHER	1		
7	19M7786	SCREW	5		M10 X 30
8	19M7807	SCREW	1		M10 X 60
9	H144122	HOUSING	1		
10	JD7418	BEARING CUP	1		
11	JD7395	BEARING CONE	1		
12	AH137771	SEAL	1		
13	N139123	NUT	1		
14	H118920	LOCK WASHER	1		
15	H118919	LOCK WASHER	1		
16	H121681	YOKE	1		
..	AH125243	GEAR	1		GEARS, MATCHED SET WITH SHAFT
..	T43512	SEALANT	1		MEDIUM STRENGTH- 50 ML, CANADA NO. TY9477
..	H116160	SEALANT	1		
..	TY15130	SEALANT	1		
..	AH141049	GEAR CASE	1		

# 5G7

DRIVES

## HEADER ELECTROMAGNETIC CLUTCH

HP9428 -UN-13DEC99



HP9428

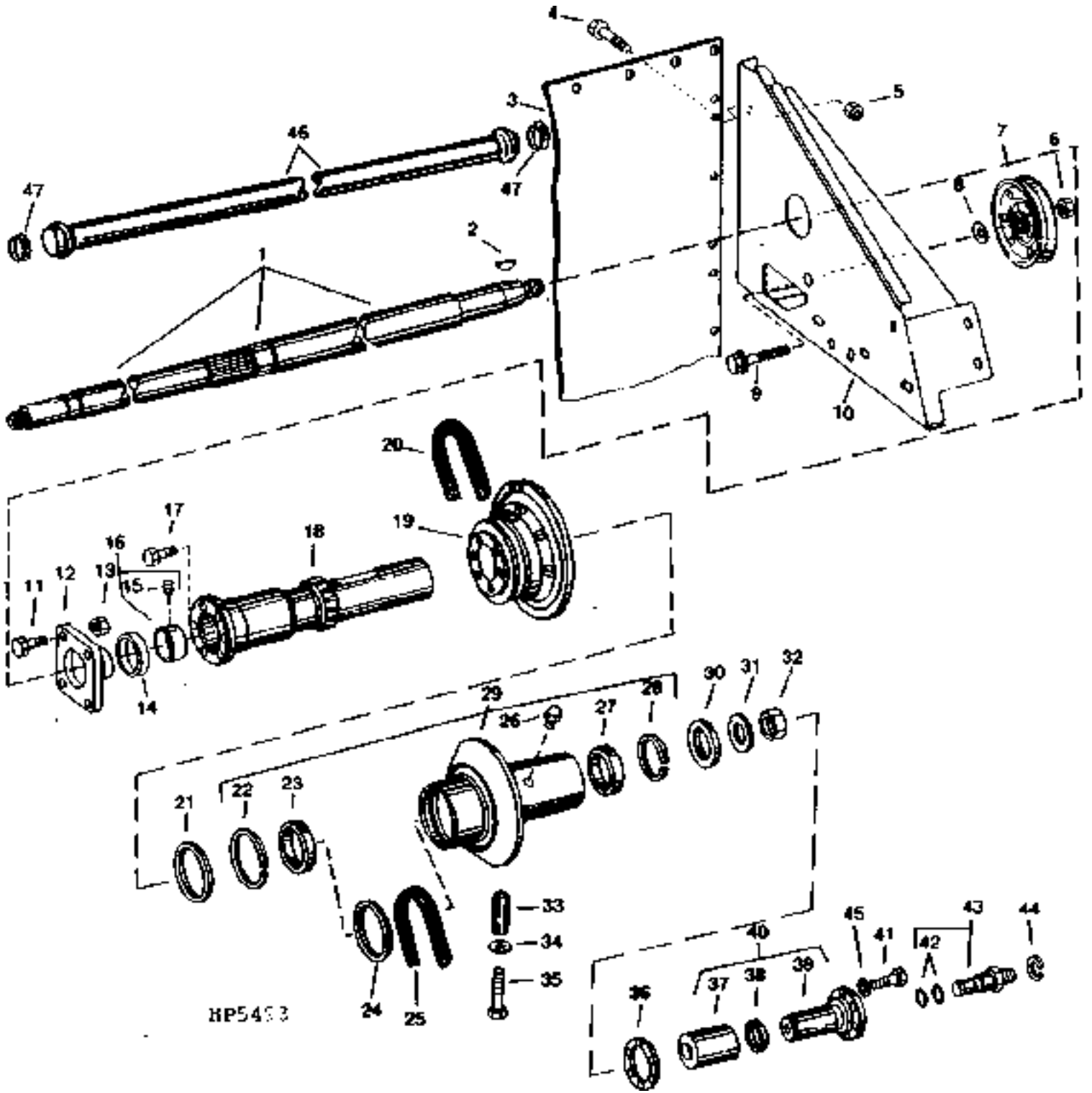
## HEADER ELECTROMAGNETIC CLUTCH - CONTINUED

KEY	PART NO.	PART NAME	QTY	SERIAL NO.	REMARKS
1	19M7775	SCREW	1		M6 X 16
2	H134773	STRAP	1		
3	14M7303	FLANGE NUT	1		M6
4	AH130582	DEVICE	1	-15NO99	
	AH162068	KIT	1	16NO99-	
5	JD7797	LUBRICATION FITTING	1		
6	AH134207	WIRING HARNESS	1		
7	H82620	LOCK NUT	1		
8	24H1668	WASHER	1		1-17/64" X 2-1/4" X 0.134"
9	26H105	SHAFT KEY	1		
10	14M7299	FLANGE NUT	8		M12
11	AH77279	CLIP	1		
12	24H1789	WASHER	1		17/32" X 1-1/4" X 0.105"
13	AH121658	FIELD WINDING COIL	1		
14	14M7296	FLANGE NUT	1		M10
15	19M8292	SCREW	1		M10 X 50
16	AH136052	HUB	1		
17	H129676	RING	1		
18	19M7817	SCREW	8		M12 X 70
19	AH96244	ARMATURE	1		
20	19M8306	SCREW	4		M12 X 50
21	24H1616	WASHER	AR	-19AU96	2-9/16" X 3-3/4" X 0.036"
22	AB5070R	SEAL	2		
23	H126716	BUSHING	2		
24	AH139936	SHEAVE	1		(SUB FOR AH121657)
25	H126715	WASHER	1		
26	H140160	BELT	1		
27	19M7817	SCREW	4		M12 X 70
28	H155825	SHEAVE	1		(SUB FOR H147148)
29	24M7207	WASHER	1	655401-	

# 5G9

DRIVES

PRIMARY COUNTERSHAFT, SUPPORTS AND VARIABLE SHEAVE  
HP5493 -UN-01JAN94



HP5493

# 5G10

DRIVES

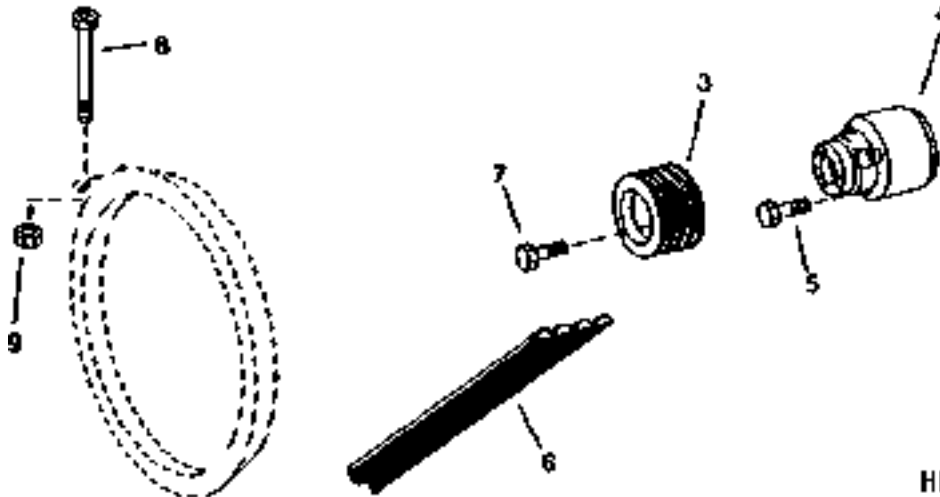
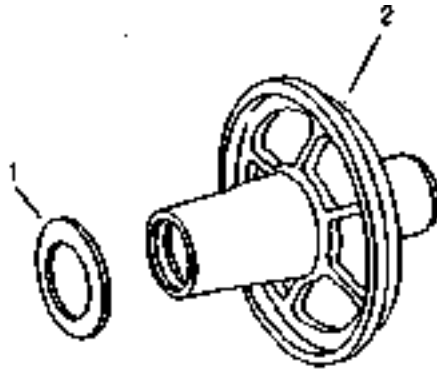
**PRIMARY COUNTERSHAFT, SUPPORTS AND VARIABLE SHEAVE - CONTINUED**

KEY	PART NO.	PART NAME	QTY	SERIAL NO.	REMARKS
1	H147483	SHAFT	1		(SUB FOR H127189)
2	26H114	SHAFT KEY	1		1/2" X 2-3/4"
3	H147911	SHEET	1		(SUB FOR H143385 OR H145530)
4	19M7866	SCREW	AR		M8 X 20
5	14M7298	FLANGE NUT	AR		M8
6	14M7291	FLANGE NUT	1		M16
7	AH97031	IDLER	1		
8	24M7053	WASHER	AR		17 X 30 X 3 MM
9	19M7794	SCREW	1		M16 X 50
10	AH135077	SHEET	1		(SUB FOR AH135295)
11	19M7786	SCREW	4		M10 X 30
12	H115930	BEARING HOUSING W/O BEARING	1		
13	14M7296	FLANGE NUT	4		M10
14	JD8669	BALL BEARING	1		
15	22H821	SET SCREW	1		1/2" X 1/2"
16	JD8668	ECCENTRIC LOCKING COLLAR	1		
17	19M7835	SCREW	6		M10 X 35
18	H127196	HOUSING	1		
19	H115755	HALF SHEAVE	1		
20	H128010	BELT	1		PRIMARY TO SECONDARY COUNTERSHAFT DRIVE
21	AH94853	SEAL	1		
22	H93631	SNAP RING	1		
23	H93630	BUSHING	1		
24	H118617	BUMPER	1		USED FOR SLOW SPEED CYLINDER DRIVE ONLY
25	H162629	BELT	1		(SUB FOR H115759) PRIMARY TO INTERMEDIATE CYLINDER DRIVE
26	JD7798	LUBRICATION FITTING	2		
27	H148131	BUSHING	1		(SUB FOR H123557)
28	P48691	SNAP RING	1		
29	AH141820	HALF SHEAVE	1	655401-	(SUB FOR AH122685)
30	AH87141	SEAL	1		
31	24H1668	WASHER	1		1-17/64" X 2-1/4" X 0.134"
32	H82620	LOCK NUT	1		
33	H110237	PIN	1		
34	24M7178	WASHER	2		10.500 X 30 X 2.500 MM
35	19M7784	SCREW	2		M10 X 20
36	H102533	SHIM	AR		0.762 MM (0.030")
37	.....	BARREL	1		(SUB AH125193)
38	H97306	SEAL	1		
39	.....	PISTON	1		(SUB AH125193)
40	AH125193	CYLINDER	1		
41	19H1732	CAP SCREW	6		3/8" X 1-1/4"
42	R27564	O-RING	2		
43	AH139238	UNION FITTING	1		
44	H135292	SNAP RING	1		
45	12H304	LOCK WASHER	6		3/8"
46	AH141390	KIT	1		(INCLUDES TY22494)
47	TY22494	HOSE CLAMP	2		(SUB FOR AR60499)

# 5G11

DRIVES

**SLOW SPEED CYLINDER DRIVE**  
 HP3983 -UN-01JAN94



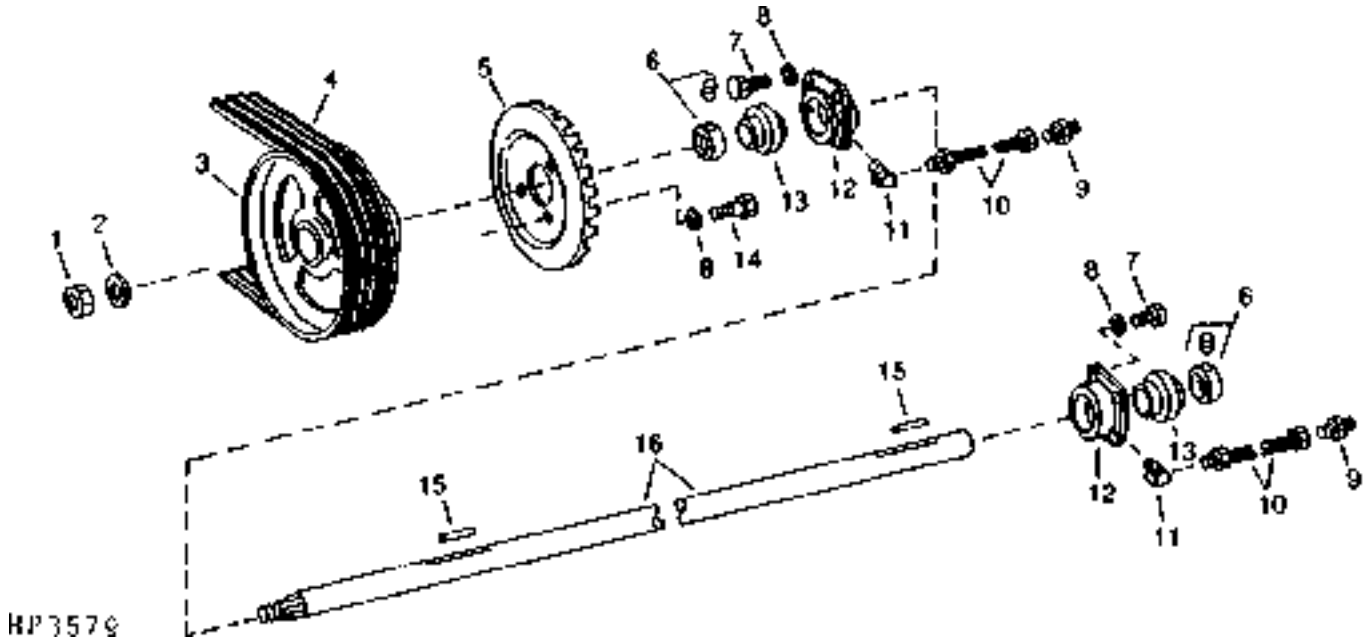
**HP3983**

KEY	PART NO.	PART NAME	QTY	SERIAL NO.	REMARKS
1	H118617	BUMPER	1		
2	AH141820	HALF SHEAVE	1		(SUB FOR AH122685)
3	H118616	SHEAVE	1		
4	H141588	HUB	1		
5	19M8017	CAP SCREW	3		M12 X 20
6	H118618	BELT	1		
7	19M8162	CAP SCREW	3		M10 X 40
8	H120490	BOLT	4		SPECIAL HOLLOW SHEAR BOLT
9	M63707	LOCK NUT	4		6.350 MM

# 5G12

DRIVES

**SINGLE RANGE CYLINDER DRIVE**  
HP3579 -UN-01JAN94

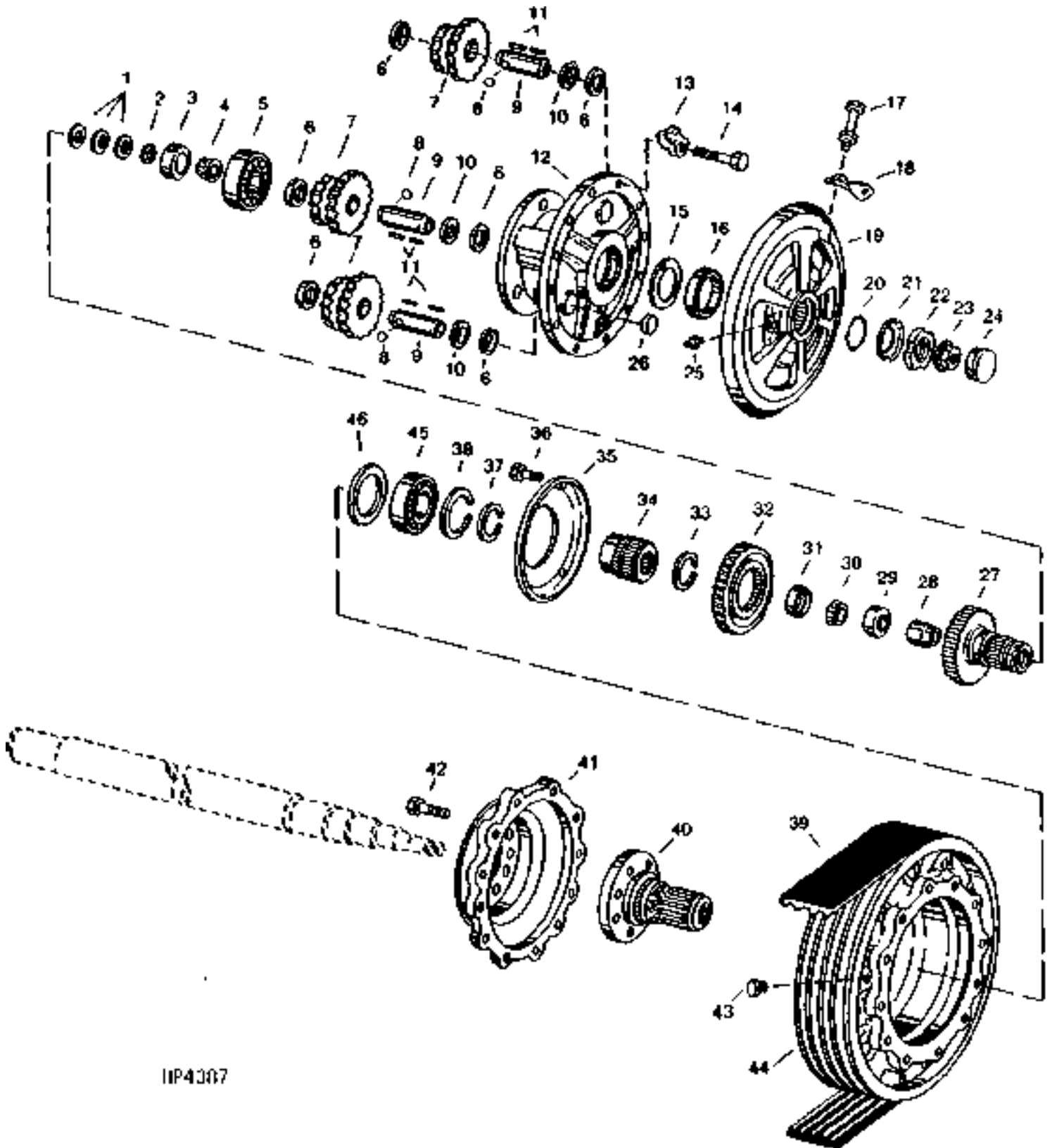


KEY	PART NO.	PART NAME	QTY	SERIAL NO.	REMARKS
1	H138085	LOCK NUT	1		
2	24H1509	WASHER	1	1-25/64" X 2-1/2" X 0.194"	
3	H93645	SHEAVE	1		
4	H115881	BELT	1		
5	H128297	WHEEL	1		
6	JD10342	ECCENTRIC LOCKING COLLAR	1		
7	19H1732	CAP SCREW	4	3/8" X 1-1/4"	
8	12H304	LOCK WASHER	4	3/8"	
9	JD7759	LUBRICATION FITTING	2		
10	AH121009	HOSE	2		
11	JD7845	ELBOW FITTING	2		
12	H99149	HOUSING	2		
13	JD10343	BALL BEARING	2		
14	19H1936	CAP SCREW	3	3/8" X 3/4"	
15	.....	SHAFT KEY	2	(CUT FROM H64376) IN AH64587 KEY STOCK KIT	
16	H145970	SHAFT	1	SINGLE RANGE (GRAIN)	
	H140043	SHAFT	1	DUAL RANGE	
..	<b>BH80491</b>	<b>COMPLETE GOODS/SHIP. BUNDLE</b>	<b>1</b>	<b>SPIKE TOOTH TO RASP BAR CONVERSION</b>	
..	<b>BH71877</b>	<b>COMPLETE GOODS/SHIP. BUNDLE</b>	<b>1</b>	<b>RASP BAR TO SPIKE TOOTH CONVERSION</b>	
..	<b>BH79239</b>	<b>COMPLETE GOODS/SHIP. BUNDLE</b>	<b>1</b>	<b>LOW DUAL RANGE CYLINDER DRIVE</b>	

# 5G13

DRIVES

DUAL-RANGE CYLINDER DRIVE GEARCASE  
HP4387 -UN-01JAN94



HP4387



# 5G14

DRIVES

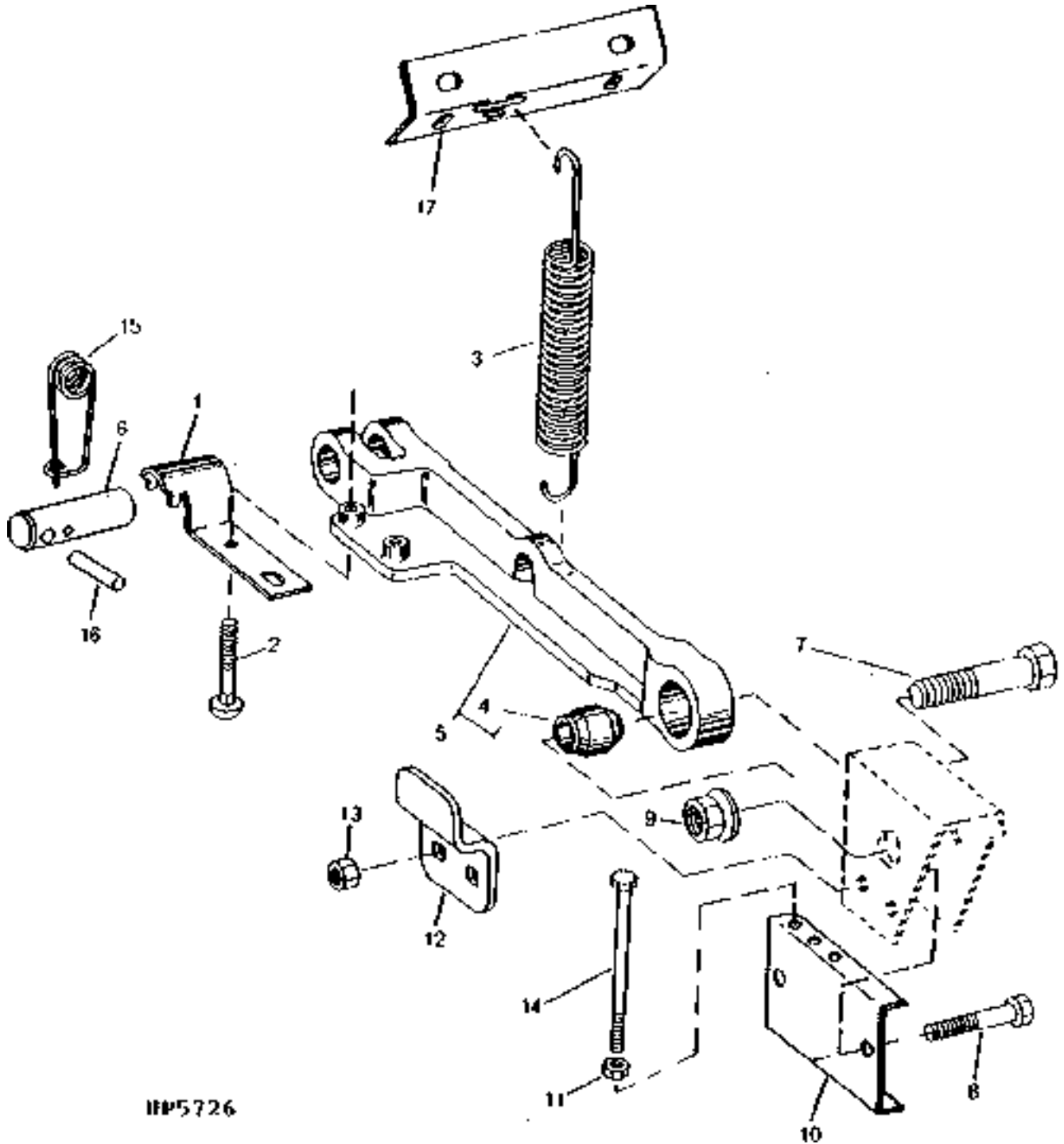
## DUAL-RANGE CYLINDER DRIVE GEARCASE - CONTINUED

KEY	PART NO.	PART NAME	QTY	SERIAL NO.	REMARKS
1	H111260	SHIM	AR		0.05 THICK
	H111261	SHIM	AR		0.10 THICK
	H111262	SHIM	AR		0.25 THICK
2	H111041	WASHER	1		
3	JD8239	BEARING CUP	1		
4	JD8960	BEARING CONE	1		
5	AH108801	BALL BEARING	1		
6	R71758	THRUST WASHER	6		
7	H113947	PINION	3		
8	H871R	BALL	3		
9	H113627	PINION SHAFT	3		
10	R71756	WASHER	3		
11	R84261	PIN	132		
12	H118082	COVER	1		
13	H127855	RETAINER	3		
14	19M8162	CAP SCREW	12		M10 X 40
	12H304	LOCK WASHER	9		3/8"
15	H117703	SHIM	1		
16	AH112883	SEAL	1		
17	19H2151	CAP SCREW	1		1/4" X 3"
	M63707	LOCK NUT	1		
18	H127590	LUG	1		
19	H113208	WHEEL	1		
20	U10063	O-RING	1		
21	H112877	LOCK WASHER	1		
22	E12305	NUT	1		
23	H113238	FLANGE NUT	1		
24	H110521	CAP	1		
25	JD7797	LUBRICATION FITTING	1		
26	H110462	PLUG	3		
27	H113063	GEAR	1		
28	H111042	SPACER	1		
29	JD7441	BEARING	1		
30	JD10214	BEARING CONE	1		
31	AH110887	SEAL	1		
32	H113946	GEAR	1		
33	T47836	SNAP RING	1		
34	H114687	BEARING HOUSING W/O BEARING	1		
35	H110337	RING	1		
36	R38131	CAP SCREW	3		
37	R80R	SNAP RING	1		
38	H114688	SNAP RING	1		
39	H115881	BELT	1		
40	H126829	HUB	1		
41	H126722	SHEAVE	1		
42	H144962	SCREW	8		M10 X 25
43	AH109056	PIPE PLUG	1		
44	H114689	SHEAVE	1		
45	JD10032	BALL BEARING	1		
46	AF1466R	SEAL	1		
..	TY15130	SEALANT	1		SIZE: 3 OZ. (CANADA PART NO. TY9484)
..	TY6304	SEALANT	1		CANADA PART NO. TY9483
..	TY6333	GREASE	1		SIZE: 14 OZ. TUBE
..	AH134859	GEAR CASE	1		DOES NOT INCLUDE H115881

# 5G15

DRIVES

DUAL-RANGE LOCKOUT ARM  
HP5726 -UN-01JAN94



HP5726

# 5G16

DRIVES

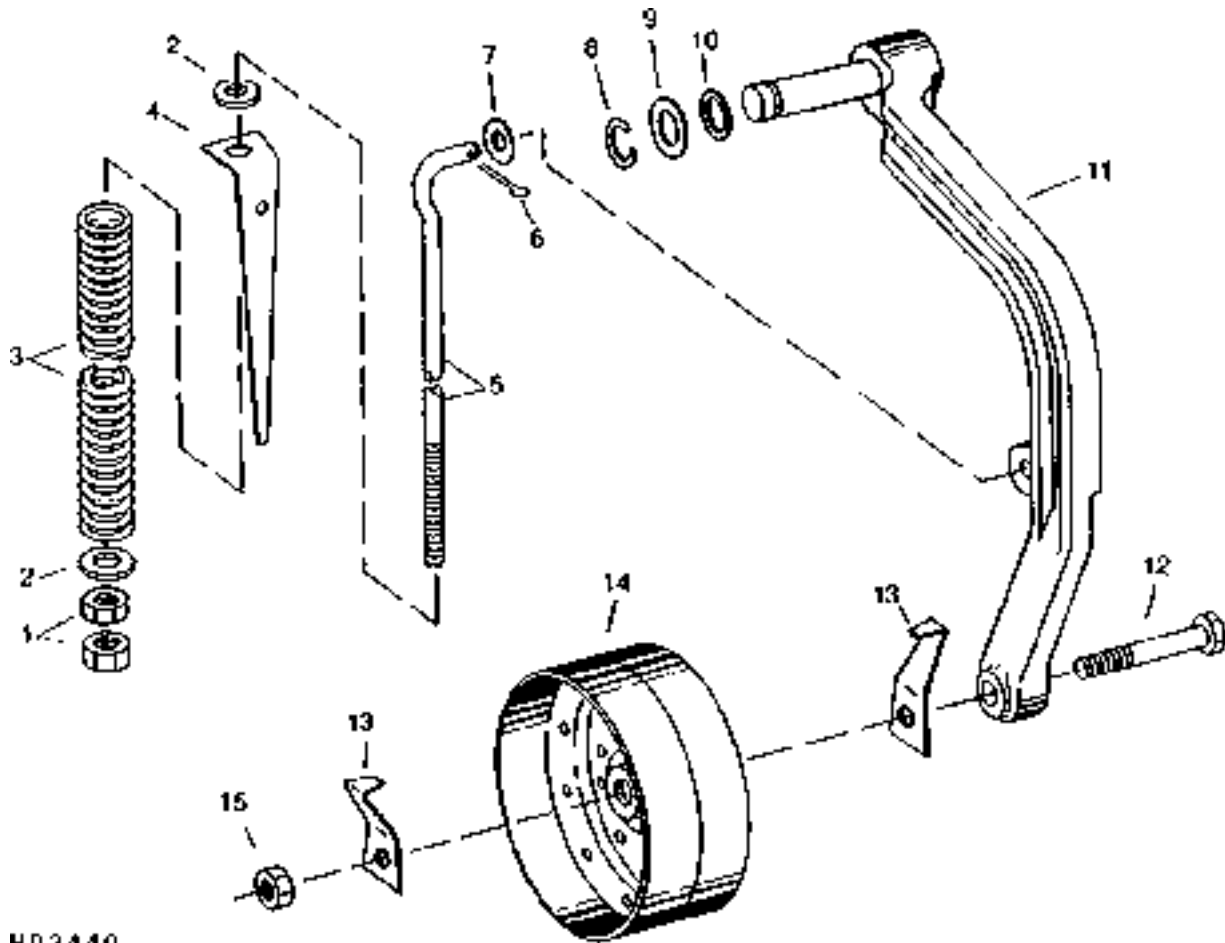
## DUAL-RANGE LOCKOUT ARM - CONTINUED

KEY	PART NO.	PART NAME	QTY	SERIAL NO.	REMARKS
1	H139709	RETAINER	1		
2	19M7867	SCREW	2		M8 X 25
3	M45123	EXTENSION SPRING	1		
4	AH80384	ISOLATOR	1	-655400	(SUB AH154697)
	AH154697	BUSHING	1	655401-	
	AH143746	RUBBER MOUNT	1		(USE WITH AH143747)
5	AH143747	ARM	1		(SUB FOR AH131070)
6	H110542	PIN	1		
7	19M7826	SCREW	1		M16 X 70
8	03M7184	BOLT	1		M8 X 20
9	14M7291	FLANGE NUT	1		M16
10	.....	CHANNEL	1		(ORDER AH139180)
11	M63707	LOCK NUT	3		6.350 MM
12	H127732	GUIDE	1		
13	14M7298	FLANGE NUT	1		M8
14	19H2151	CAP SCREW	3		1/4" X 3", SHEAR BOLTS
15	H114001	QUICK LOCK PIN	1		
16	34M7036	SPRING PIN	1		5 X 45 MM
17	H120659	ANGLE	1		

# 5G17

DRIVES

DUAL-RANGE CYLINDER DRIVE TIGHTENER  
HP3440 -UN-01JAN94



HP 3440

# 5G18

DRIVES

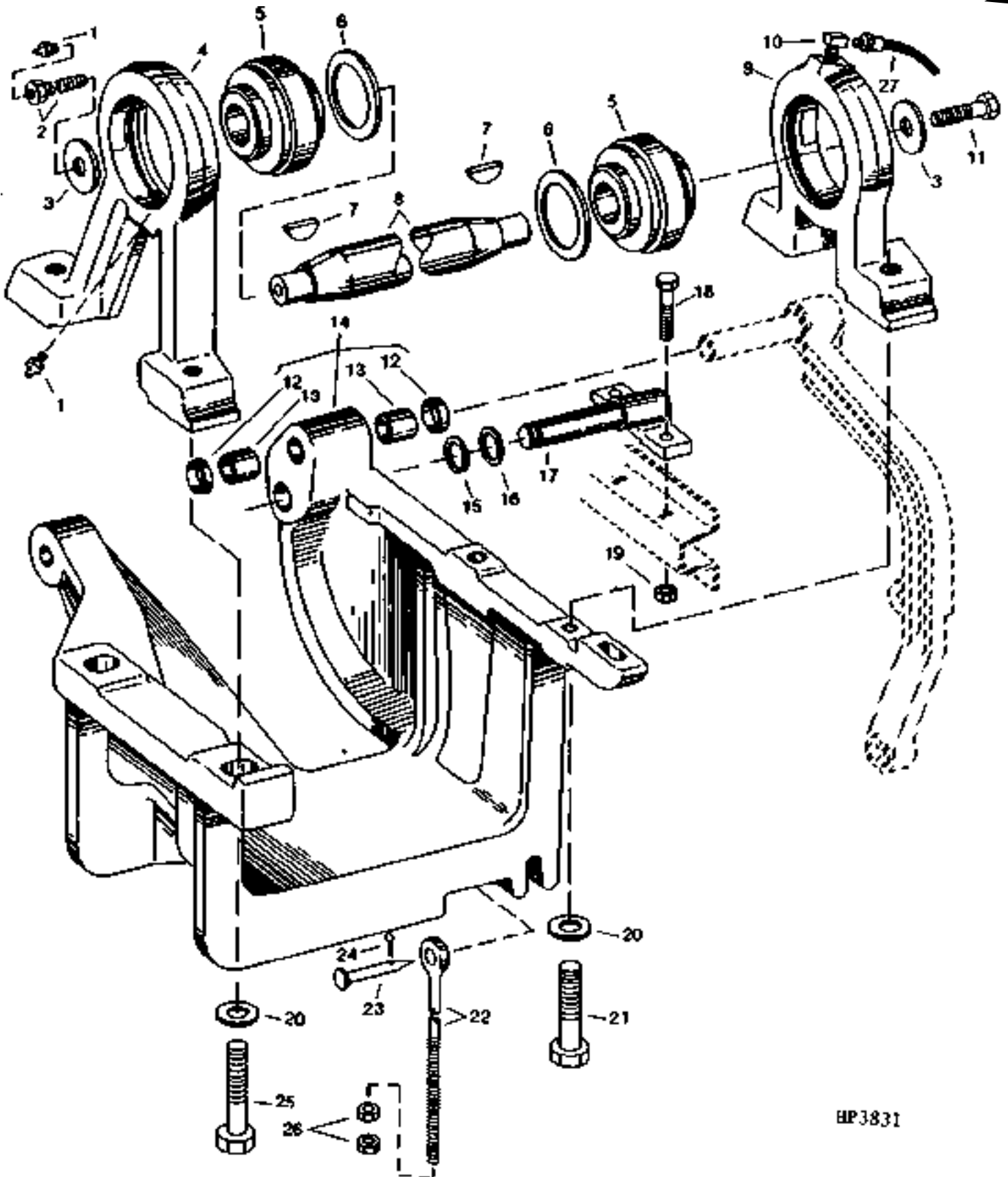
**DUAL-RANGE CYLINDER DRIVE TIGHTENER - CONTINUED**

KEY	PART NO.	PART NAME	QTY	SERIAL NO.	REMARKS
1	14M7276	NUT	2	M16	
2	24H1373	WASHER	2	21/32" X 1-9/16" X 0.180"	
3	N61654	SPRING	1		
4	H116862	GAUGE	1		
5	H116861	HOOK BOLT	1		
6	11M7028	COTTER PIN	1	5 X 32 MM	
7	24M7053	WASHER	1	17 X 30 X 3 MM	
8	P46402	SNAP RING	1		
9	24H1447	WASHER	AR	1-1/32" X 1-1/2" X 0.036"	(USE FOUR OR LESS)
10	24H1448	WASHER	1	1-1/32" X 1-1/2" X 0.120"	
11	AH113139	ARM	1		
12	19M7818	SCREW	1	M12 X 80	
13	H94386	BRACKET	2		
14	AH141762	IDLER	1	(SUB FOR AH111447)	
15	14M7299	FLANGE NUT	1	M12	

# 5G19

DRIVES

DUAL-RANGE CYLINDER DRIVE INTERMEDIATE SHAFT MOUNTING  
HP3831 -UN-01JAN94



HP3831

# 5G20

DRIVES

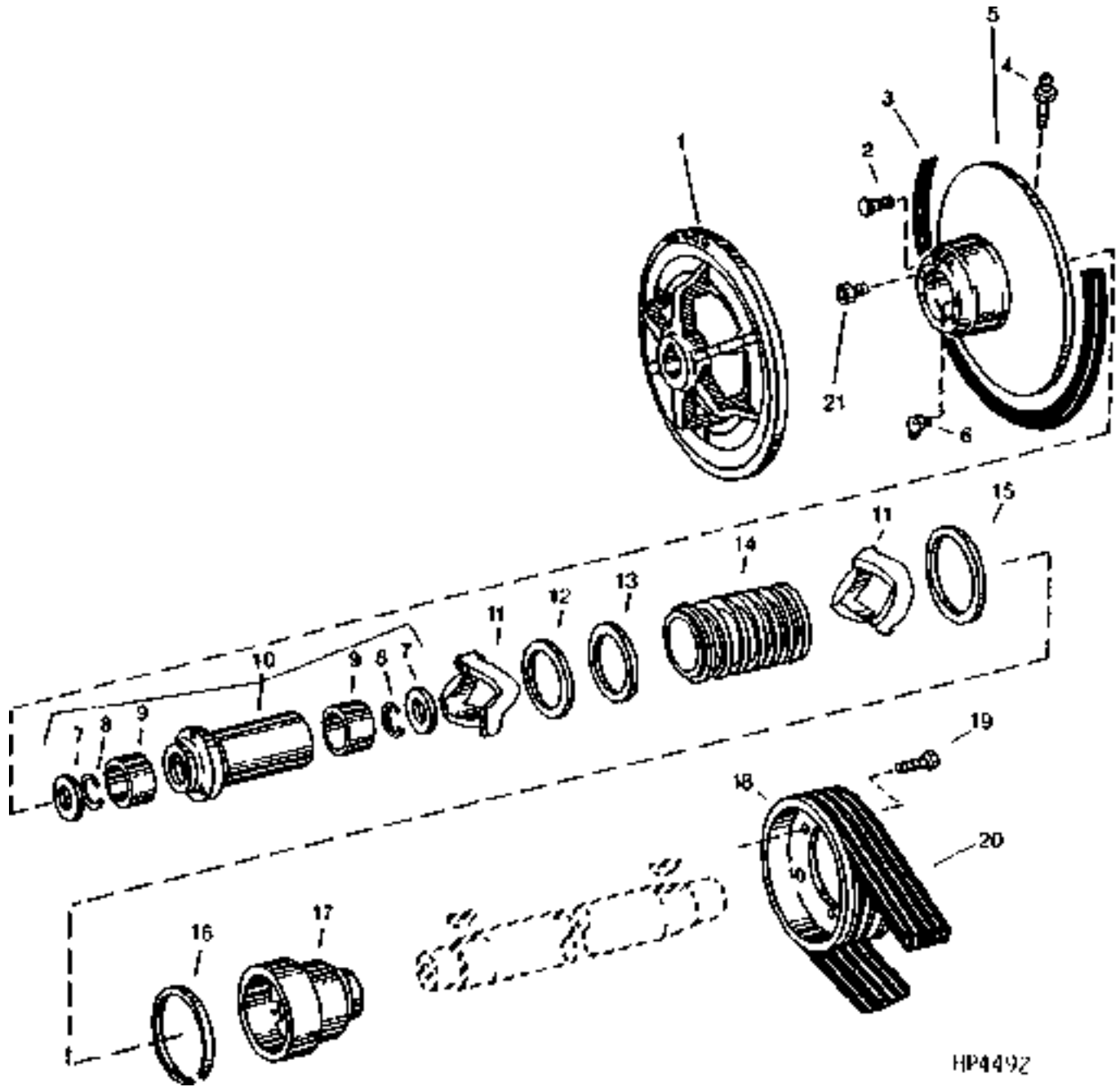
## DUAL-RANGE CYLINDER DRIVE INTERMEDIATE SHAFT MOUNTING - CONTINUED

KEY	PART NO.	PART NAME	QTY	SERIAL NO.	REMARKS
1	JD7759	LUBRICATION FITTING	2		1/8" STRAIGHT
2	H110168	SCREW	1		
3	R20135	WASHER	2		
4	H121134	HOUSING	1		
5	AH108813	BALL BEARING	2		
6	E18993	WASHER	2		
7	26M6787	SHAFT KEY	2		10 X 32 MM
8	H148241	SHAFT	1		(SUB FOR H115596)
9	H119210	HOUSING	1		
10	JD7839	LUBRICATION FITTING	1		
11	19M7793	SCREW	1		M16 X 40, WITH BUSHINGS
12	AA5607R	SEAL	2		
13	H99147	BUSHING	2		(SUB H171061)
	H171061	BEARING	2		
14	AH122451	SUPPORT	1		
15	M2353T	SNAP RING	1		
16	24H1513	WASHER	1		1-13/32" X 2" X 0.060"
17	H127596	PIN	1		
18	19M7898	SCREW	2		M10 X 130
19	14M7296	FLANGE NUT	2		M10
20	T20217	WASHER	4		
21	19H3057	CAP SCREW	2		1/2" X 2-3/4"
22	H127583	EYEBOLT	1		
23	T22714	PIN	1		
24	11M7028	COTTER PIN	1		5 X 32 MM
25	19M8306	SCREW	2		M12 X 50
26	14M7291	FLANGE NUT	2		M16
27	AH121007	HOSE	1		

# 5G21

DRIVES

DUAL-RANGE CYLINDER DRIVE INTERMEDIATE SHEAVE  
HP4492 -UN-01JAN94



HP4492



# 5G22

DRIVES

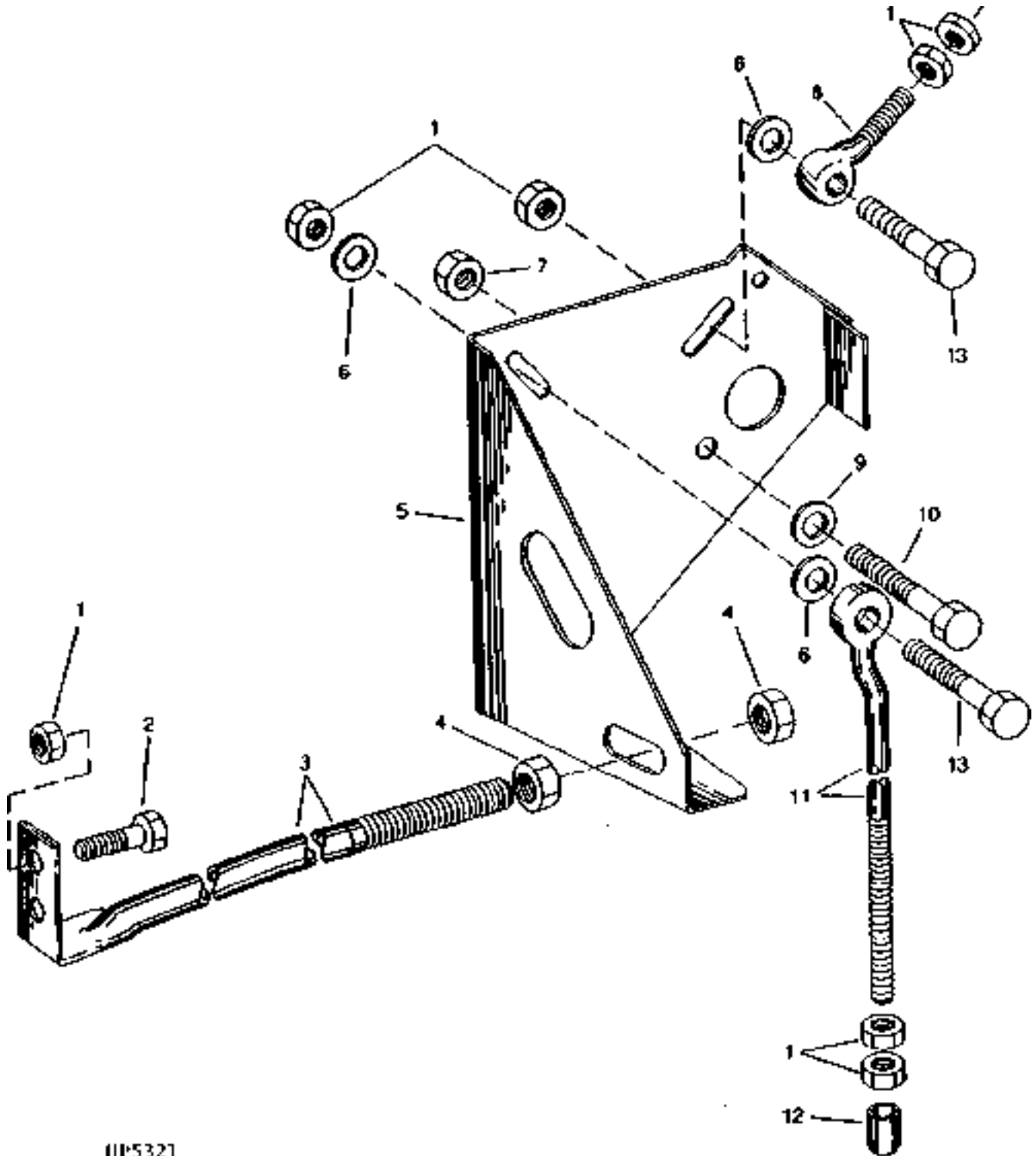
## DUAL-RANGE CYLINDER DRIVE INTERMEDIATE SHEAVE - CONTINUED

KEY	PART NO.	PART NAME	QTY	SERIAL NO.	REMARKS
1	H145955	SHEAVE	1		
2	19M7789	SCREW	3	M12 X 30	
3	H162629	BELT	1	(SUB FOR H115759)	
4	JD7759	LUBRICATION FITTING	1		
5	AH141973	HALF SHEAVE	1	(SUB FOR H144038)	
	AH106296	BREATHER	1		
6	JD7788	LUBRICATION FITTING	1		
7	AH106110	SEAL	2		
8	B3118R	SNAP RING	2		
9	H125528	BUSHING	2		
10	AH120907	HUB	1		
11	H145243	CAM	2	(SUB FOR H141735)	
12	H96227	WASHER	1		
13	H96232	WASHER	1		
14	AH148893	SPRING ASSEMBLY	1	(INCLUDES H96226) (SUB FOR AH108693)	
15	AH136497	SEAL	1		
16	H107389	RING	1		
17	H146394	HUB	1		
18	H125391	SHEAVE	1		
19	19M7818	SCREW	3	M12 X 80	
20	H115881	BELT	1		
21	AH106296	BREATHER	1		

# 5G23

DRIVES

DUAL-RANGE CYLINDER DRIVE ADJUSTING BRACKET  
HP5321 -UN-01JAN94



HP5321

# 5G24

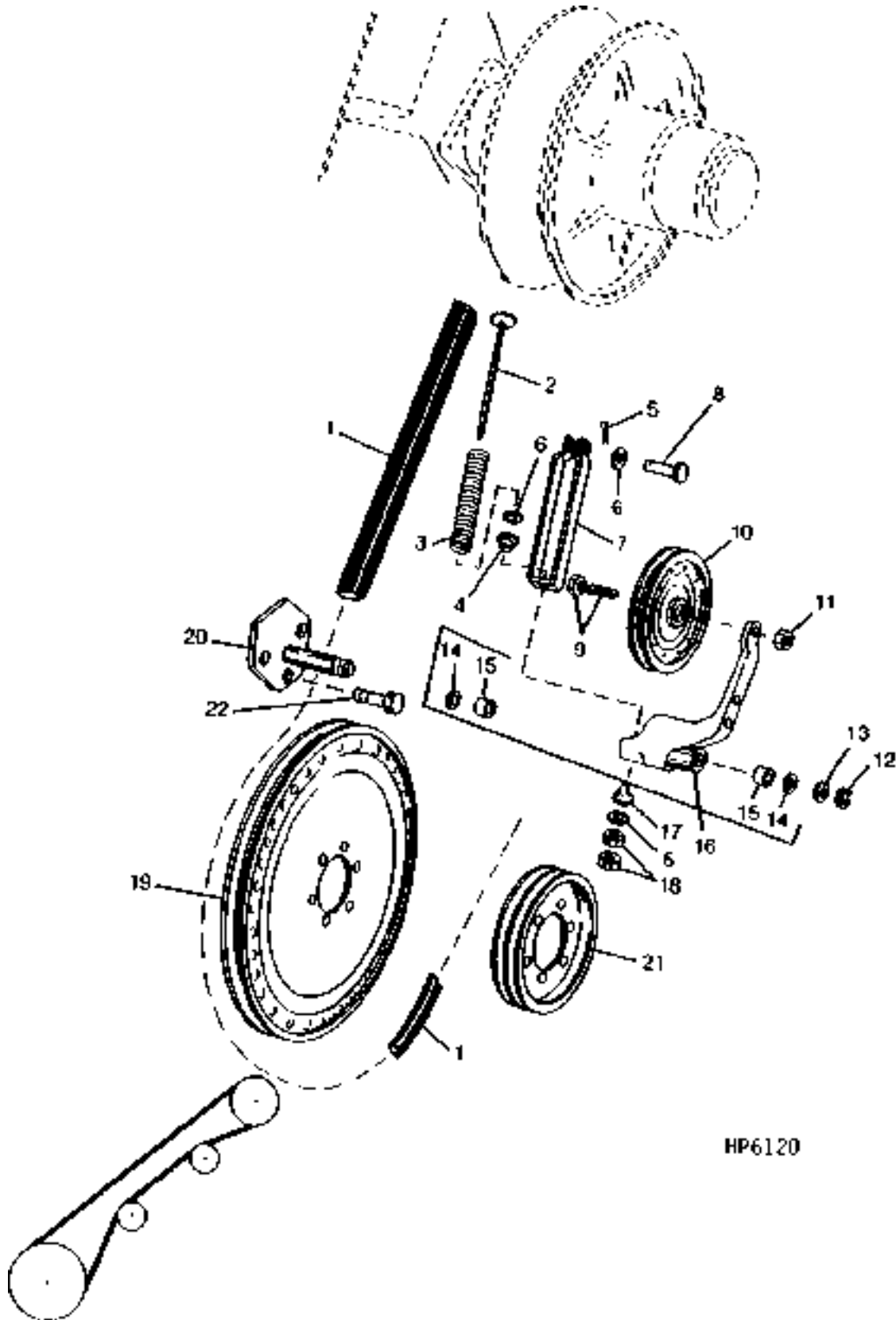
DRIVES

## DUAL-RANGE CYLINDER DRIVE ADJUSTING BRACKET - CONTINUED

KEY	PART NO.	PART NAME	QTY	SERIAL NO.	REMARKS
1	14M7299	FLANGE NUT	8	M12	
2	19M7837	SCREW	2	M12 X 110	
3	AH126538	BRACE	1		
4	14M7300	FLANGE NUT	2	M20	
5	H131482	SUPPORT	1		
6	24M7240	WASHER	3	13 X 25 X 3 MM	
7	14M7291	FLANGE NUT	1	M16	
8	H116065	EYEBOLT	1		
9	24M7053	WASHER	1	17 X 30 X 3 MM	
10	19M8046	CAP SCREW	1	M16 X 70	
11	H131485	EYEBOLT	1		
12	R50770	PLUG	1		
13	19M7791	SCREW	2	M12 X 40	

# 5H1

SECONDARY COUNTERSHAFT DRIVE  
HP6120 -UN-21JUL95



HP6120

# 5H2

DRIVES

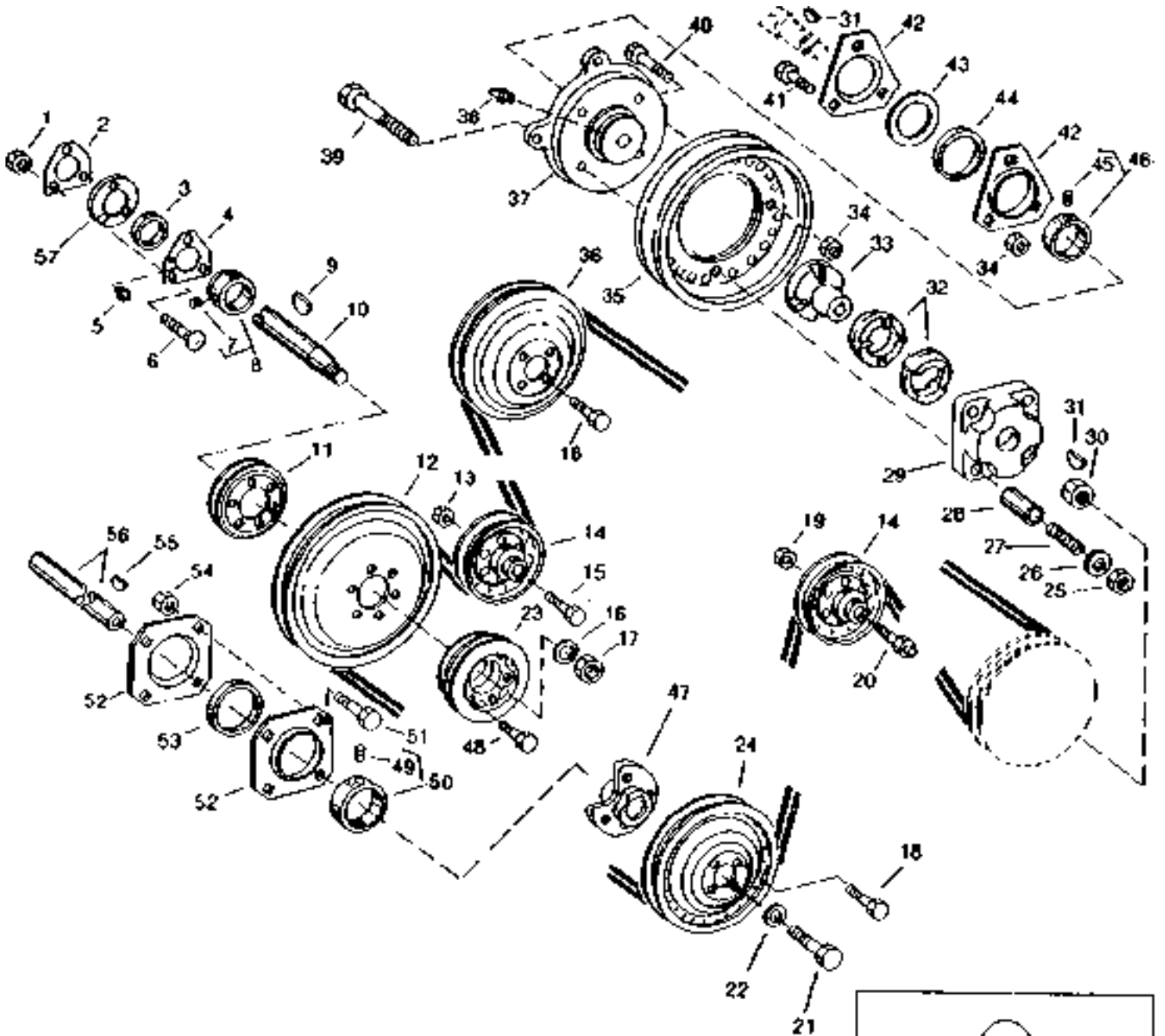
## SECONDARY COUNTERSHAFT DRIVE - CONTINUED

KEY	PART NO.	PART NAME	QTY	SERIAL NO.	REMARKS
1	H128010	BELT	1		
2	AH124826	STUD	1		
3	B10604	SPRING	1		
4	H97513	BUSHING	1		
5	11M7028	COTTER PIN	1	5 X 32 MM	
6	24M7047	WASHER	1	13 X 24 X 2.500 MM	
7	H133667	CLEVIS	1		
8	H748DA	PIN	1		
9	19M7824	SCREW	1	M16 X 60	
10	AH97031	IDLER	1		
11	14M7291	FLANGE NUT	1	M16	
12	P46402	SNAP RING	1		
13	24M7091	WASHER	1	26 X 44 X 4 MM	
14	AA5607R	SEAL	2		
15	H99147	BUSHING	2	(SUB H171061)	
	H171061	BEARING	2		
16	AH124828	ARM	1		
17	H129207	PIVOT	1		
18	14M7275	NUT	2	M12	
19	AH104783	PULLEY	1		
20	AH139816	PIN	1		
21	H142143	SHEAVE	1		
22	19M7784	SCREW	3	M10 X 20	

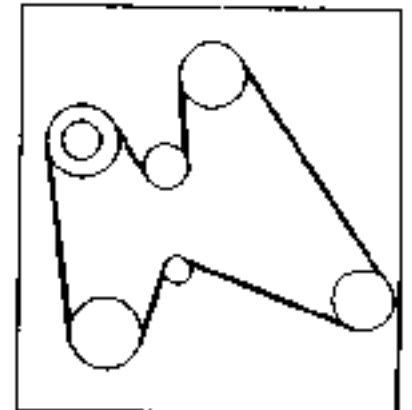
# 5H3

DRIVES

CONVEYOR AUGERS, SIEVE AND CHAFFER DRIVE  
HP4046 -UN-01JAN94



HP4046



# 5H4

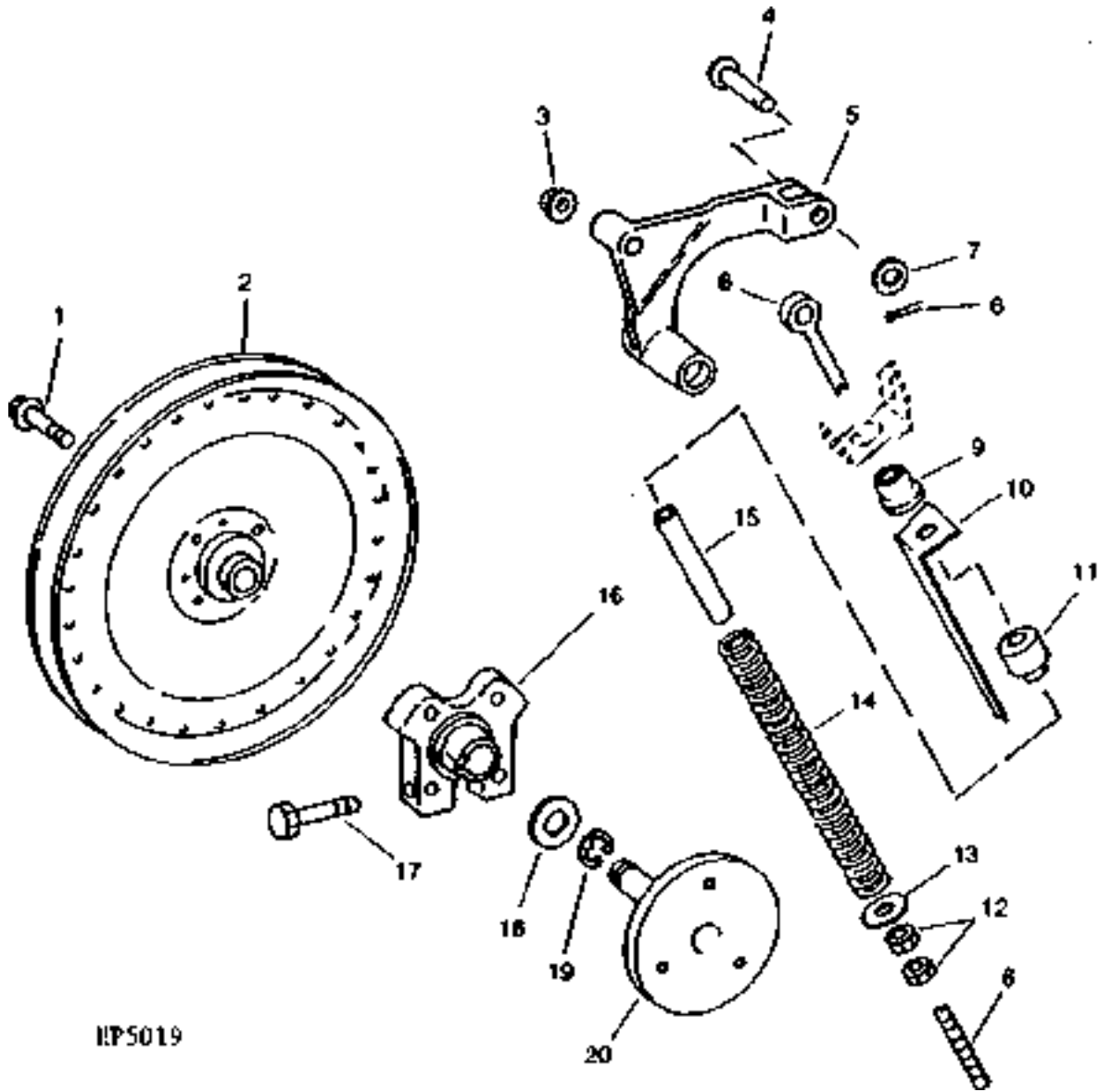
DRIVES

## CONVEYOR AUGERS, SIEVE AND CHAFFER DRIVE - CONTINUED

KEY	PART NO.	PART NAME	QTY	SERIAL NO.	REMARKS
1	14M7296	FLANGE NUT	3		
2	H135410	PRESSED FLANGED HOUSING	1		M10
3	AH139296	BALL BEARING	1		
4	AH129420	PRESSED FLANGED HOUSING	1		
5	JD7846	LUBRICATION FITTING	1		
6	03M7191	BOLT	3		M10 X 25
7	22M7081	SET SCREW	1		M10 X 10
8	AH133191	ECCENTRIC LOCKING COLLAR	1		
9	26M6787	SHAFT KEY	1	-665400	10 X 32 MM, WOODRUFF
	H153524	KEY	1	665401-	WOODRUFF (HARDENED)
10	H132208	JACKSHAFT	1		
11	H131170	SHEAVE	1		
12	AH104783	PULLEY	1		
13	14M7291	FLANGE NUT	1		M16
14	AH94450	IDLER	2		
15	19M7824	SCREW	1		M16 X 60
16	24M7091	WASHER	1		26 X 44 X 4 MM
17	14M7413	LOCK NUT	1		M24
18	19M7784	SCREW	8		M10 X 20
19	14M7291	FLANGE NUT	1		M16
20	19M7824	SCREW	1		M16 X 60
21	19M7283	CAP SCREW	2		
22	T119912	WASHER	2		
23	H142143	SHEAVE	1		
24	AH126188	SHEAVE	1		
25	14M7400	LOCK NUT	4		M10
26	24H1730	WASHER	4		13/32" X 1-1/2" X 0.120"
27	R56722	SPRING	4		
28	H87206	SPACER	4		
29	H89525	RETAINER	1		
30	14M7300	FLANGE NUT	1		M20
31	26M4226	SHAFT KEY	1		5 X 19 MM
32	H128265	SLIP CLUTCH	2		
33	H131098	HUB	1		
34	14M7296	FLANGE NUT	4		M10
35	AH126094	SHEAVE	1		
36	AH134596	SHEAVE	1		
37	H135423	HUB	1		
38	JD7797	LUBRICATION FITTING	1		
39	19M8166	CAP SCREW	4		M10 X 110
40	19M7786	SCREW	4		M10 X 30
41	03M7191	BOLT	3		M10 X 25
42	E10018	PRESSED FLANGED HOUSING	2		
43	H102533	SHIM	2		
44	AH129451	BALL BEARING	1		
45	.....	SET SCREW	1		
46	AH129452	ECCENTRIC LOCKING COLLAR	1		
47	H133603	HUB	1		
48	19M7810	SCREW	6		M10 X 80
49	22M7081	SET SCREW	2		
50	AL14674	ECCENTRIC LOCKING COLLAR	2		
51	03M7197	BOLT	8		M12 X 25
52	H133621	PRESSED FLANGED HOUSING	4		
53	JD39109	BALL BEARING	2		
54	14M7299	FLANGE NUT	16		M12
55	49M7040	SHAFT KEY	1		
56	H133598	SHAFT	1		CLEANING SHOE SHAFT
57	H105578	SHIM	1		

# 5H5

CLEANING SHOE AND CONVEYOR AUGER PIVOT ARM DRIVE TIGHTENER  
HP5019 -UN-01JAN94



HP5019



# 5H6

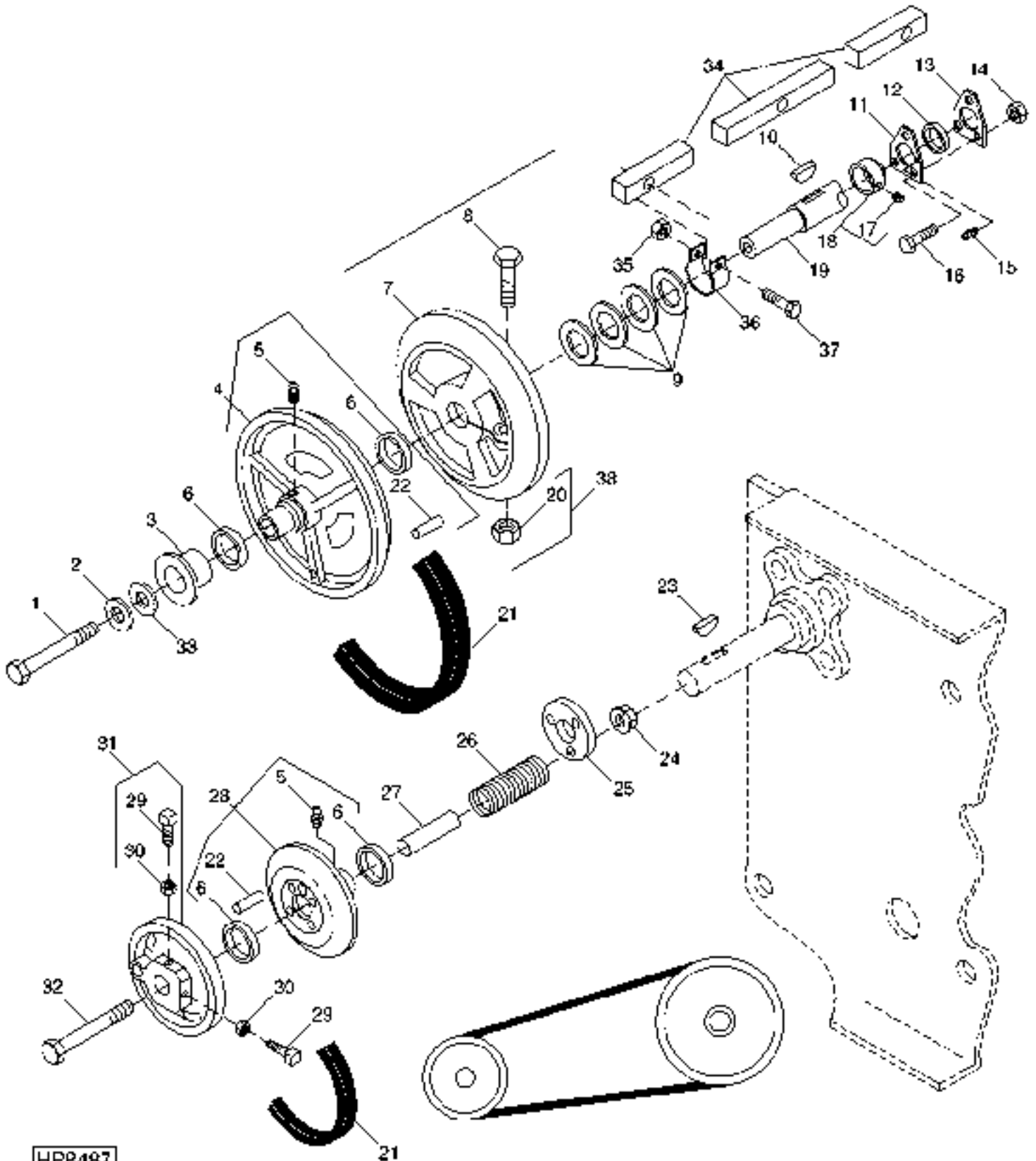
DRIVES

## CLEANING SHOE AND CONVEYOR AUGER PIVOT ARM DRIVE TIGHTENER - CONTINUED

KEY	PART NO.	PART NAME	QTY	SERIAL NO.	REMARKS
1	19M7794	SCREW	1		
2	AH134596	SHEAVE	1		M16 X 50
3	14M7298	FLANGE NUT	1		M8
4	Z9135H	PIN	1		
5	AH140600	ARM	1		
6	H129311	EYEBOLT	1		
7	24M7047	WASHER	1		
8	11M7015	COTTER PIN	1		
9	H129207	PIVOT	1		
10	H135512	GAUGE	1		
11	H135395	SPACER	1		
12	14M7275	NUT	1		M12
13	24M7180	WASHER	1		13 X 37 X 3 MM
14	N165696	SPRING	1		
15	H116916	HOSE	1		
16	H134760	HUB	1		
17	19M7663	CAP SCREW	1		M8 X 70
18	24M7091	WASHER	1		26 X 44 X 4 MM
19	P46402	SNAP RING	1		
20	AH134593	PIVOT	1		

# 5H7

SEPARATOR FAN DRIVE  
HP8487 -UN-20APR99



HP8487

# 5H8

DRIVES

## SEPARATOR FAN DRIVE - CONTINUED

KEY	PART NO.	PART NAME	QTY	SERIAL NO.	REMARKS
1	19M7786	SCREW	1	M10 X 30	
2	24H1314	WASHER	1	13/32" X 1-3/4" X 7/64"	
3	AH124050	THROW-OUT BEARING	1		
4	AH127496	SHEAVE	1	-670400	401 MM O.D.(750-1350 RPM)
	AH131979	SHEAVE	1	-670400	289 MM O.D. (490-980 RPM) OPT.
	AH146463	HALF SHEAVE	1	670401-	401 MM O.D. (750-1350 RPM)
	AH146506	HALF SHEAVE	1	670401-29SE97	289 MM O.D. (490-980 RPM) OPT
	AH153040	SHEAVE	1	30SE97-	289 MM O.D.(490-980 RPM)OPT.
5	JD7759	LUBRICATION FITTING	2		
6	AH14080	SEAL	4		
7	AH134873	SHEAVE	1	-655400	401 MM O.D. (750-1350 RPM) (SUB FOR H132298)
	H137266	SHEAVE	1	-670400	289 MM O.D. (490-980 RPM) OPT.
	AH149357	HALF SHEAVE	1	670401-	289 MM O.D. (490-980 RPM) OPT.
8	19M8112	SCREW	1		M12 X 55
9	24H1512	WASHER	8		1-13/32" X 2" X 0.032"
10	26M6787	SHAFT KEY	1	-665400	10 X 32 MM, WOODRUFF
	H153524	KEY	1	665401-	WOODRUFF (HARDENED)
11	AH129420	PRESSED FLANGED HOUSING	1		
12	AH139296	BALL BEARING	1		
13	H135410	PRESSED FLANGED HOUSING	1		
14	14M7296	FLANGE NUT	3		M10
15	JD7846	LUBRICATION FITTING	1		
16	03M7191	BOLT	3		M10 X 25
17	22M7081	SET SCREW	1		M10 X 10
18	AH133191	ECCENTRIC LOCKING COLLAR	1		
19	H132208	JACKSHAFT	1		
20	14M7299	FLANGE NUT	1		M12
21	H140404	BELT	1	-670400	(750-1350 RPM) STD. SPEED
	H152146	BELT	1	670401-	(750-1350 RPM) STD. SPEED
	H137264	BELT	1	-670400	(490-980 RPM) OPT. SPEED
	H152180	BELT	1	670401-	(490-980 RPM) OPT. SPEED
22	H100796	SPRING PIN	2		
23	26M6731	SHAFT KEY	1		6 X 25 MM (0.236" X 0.984")
24	14M7396	LOCK NUT	4		M8
25	H135599	WASHER	1		
26	H93399	SPRING	4		
27	H133489	BUSHING	4		
28	AH131248	SHEAVE	1	-670400	
	AH146461	HALF SHEAVE	1	670401-	
29	H138435	SET SCREW	2		M10 X 25
30	14M7152	NUT	2		M10
31	AH131249	SHEAVE	1	-670400	
	AH146462	HALF SHEAVE	1	670401-	
32	19M7873	SCREW	4		M8 X 110
33	24H1307	WASHER	AR		13/32" X 1" X 1/16"
34	H137817	STRIPPER	1		
35	14M7397	LOCK NUT	6		M6
36	H137815	CLAMP	6		
37	19M7862	SCREW	6		M6 X 20
38	AH134873	SHEAVE	1	-670400	INCLUDES KEYS 7, 8 AND 20
	AH149356	HALF SHEAVE	1	670401-29SE97	(INCLUDES KEY 7, 8 AND 20)
	AH134597	SHEAVE	1	30SE97-	

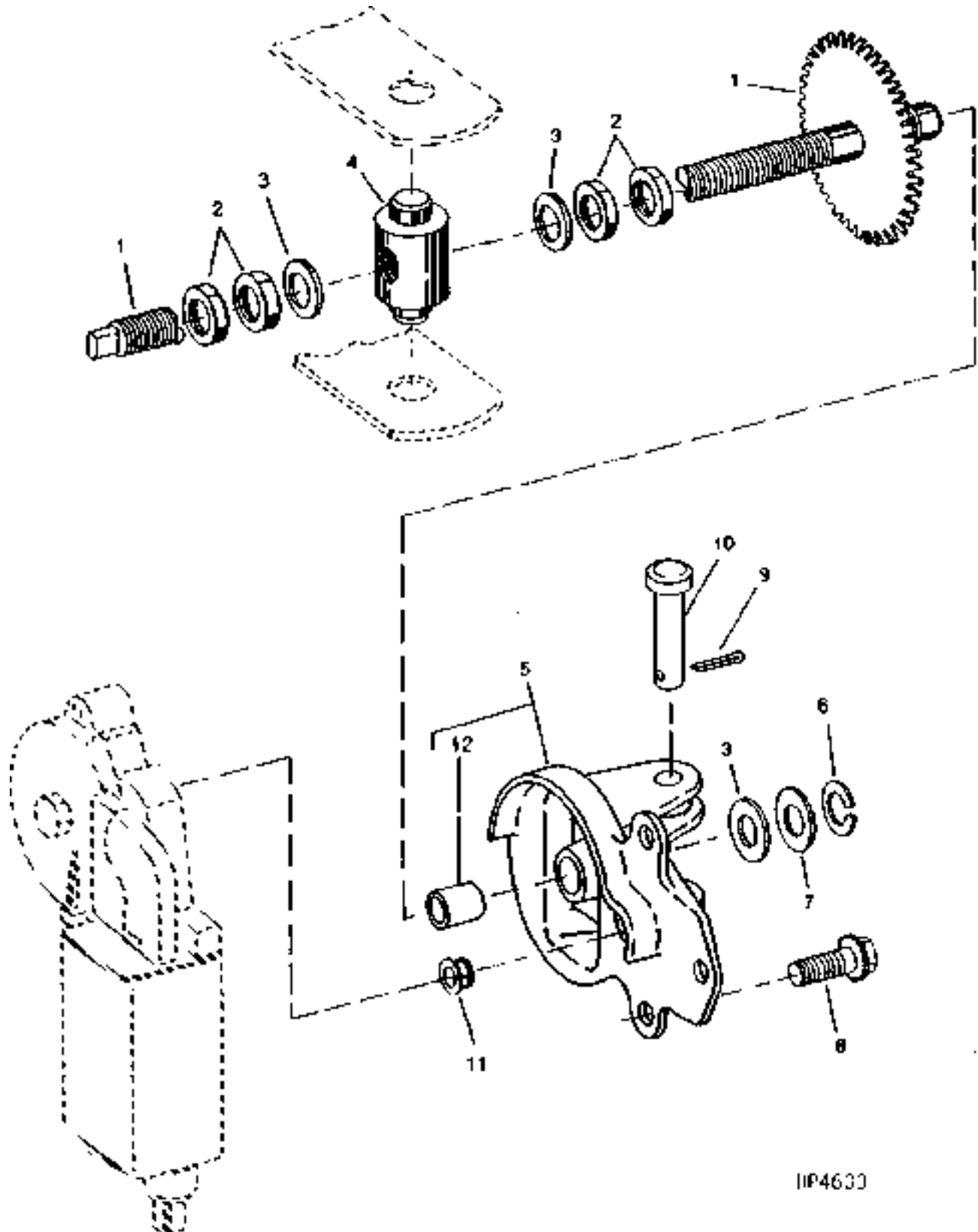
# 5H9

DRIVES

## FAN DRIVE SPEED CONTROL LINKAGE

(-655400)

HP4633 -UN-01JAN94



HP4633

# 5H10

DRIVES

**FAN DRIVE SPEED CONTROL LINKAGE - CONTINUED**  
( -655400)

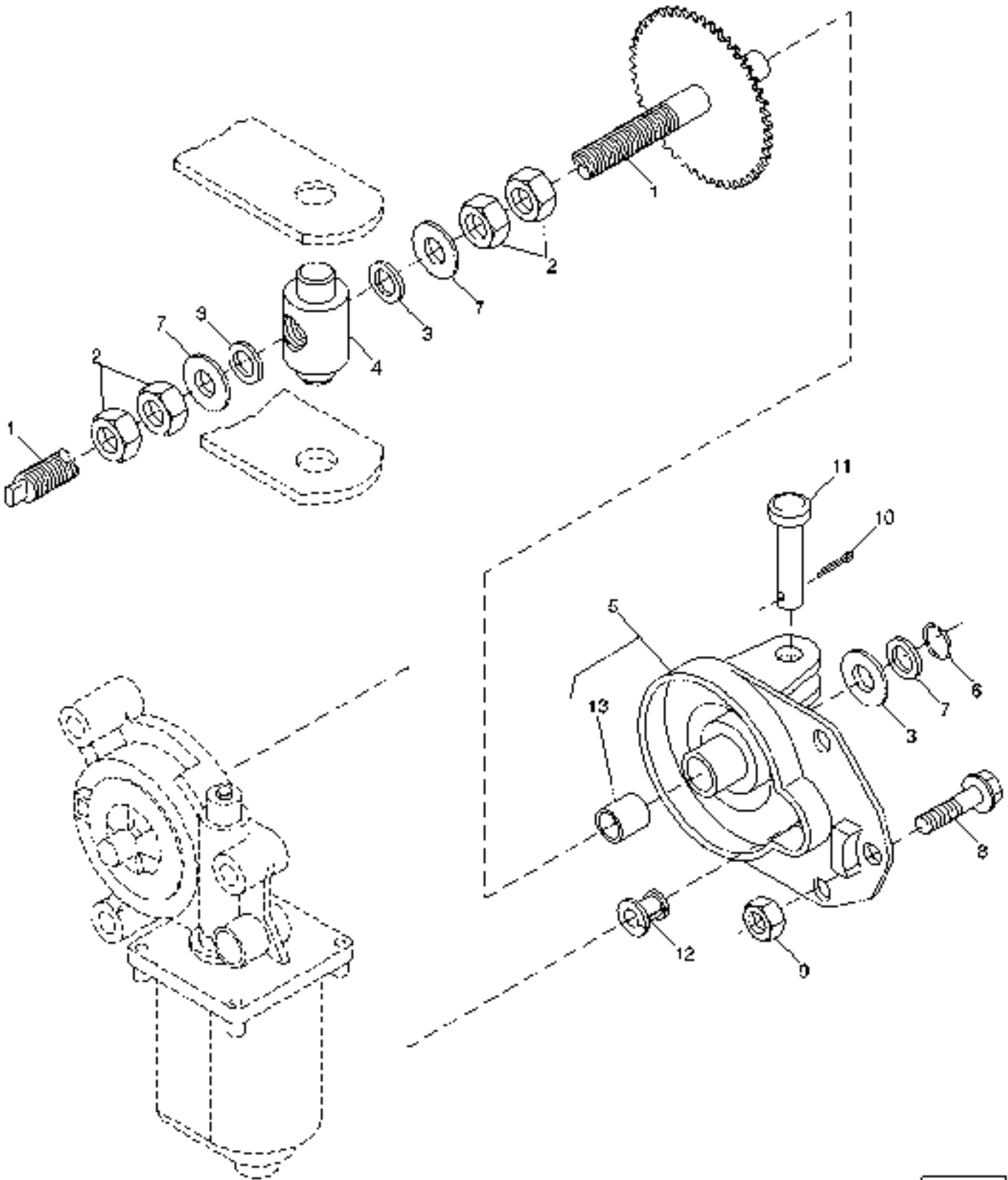
KEY	PART NO.	PART NAME	QTY	SERIAL NO.	REMARKS
1	AH128384	SHAFT	1		
2	14M7382	NUT	4	M16	
3	H140397	THRUST WASHER	3		
4	H133199	TRUNNION	1		
5	AH128385	SUPPORT	1		
6	H25099	SNAP RING	1		
7	H139132	SPACER	3		
8	N14820	SELF-LOCKING SCREW	2		
9	11M7059	COTTER PIN	1		
10	45M7045	PIN	1	12 X 90 MM	
11	H89515	WASHER	1		
12	H91788	BUSHING	1		

# 5H11

DRIVES

## FAN DRIVE SPEED CONTROL LINKAGE

(655401- )  
HP7550 -UN-16AUG99



HP7550

# 5H12

DRIVES

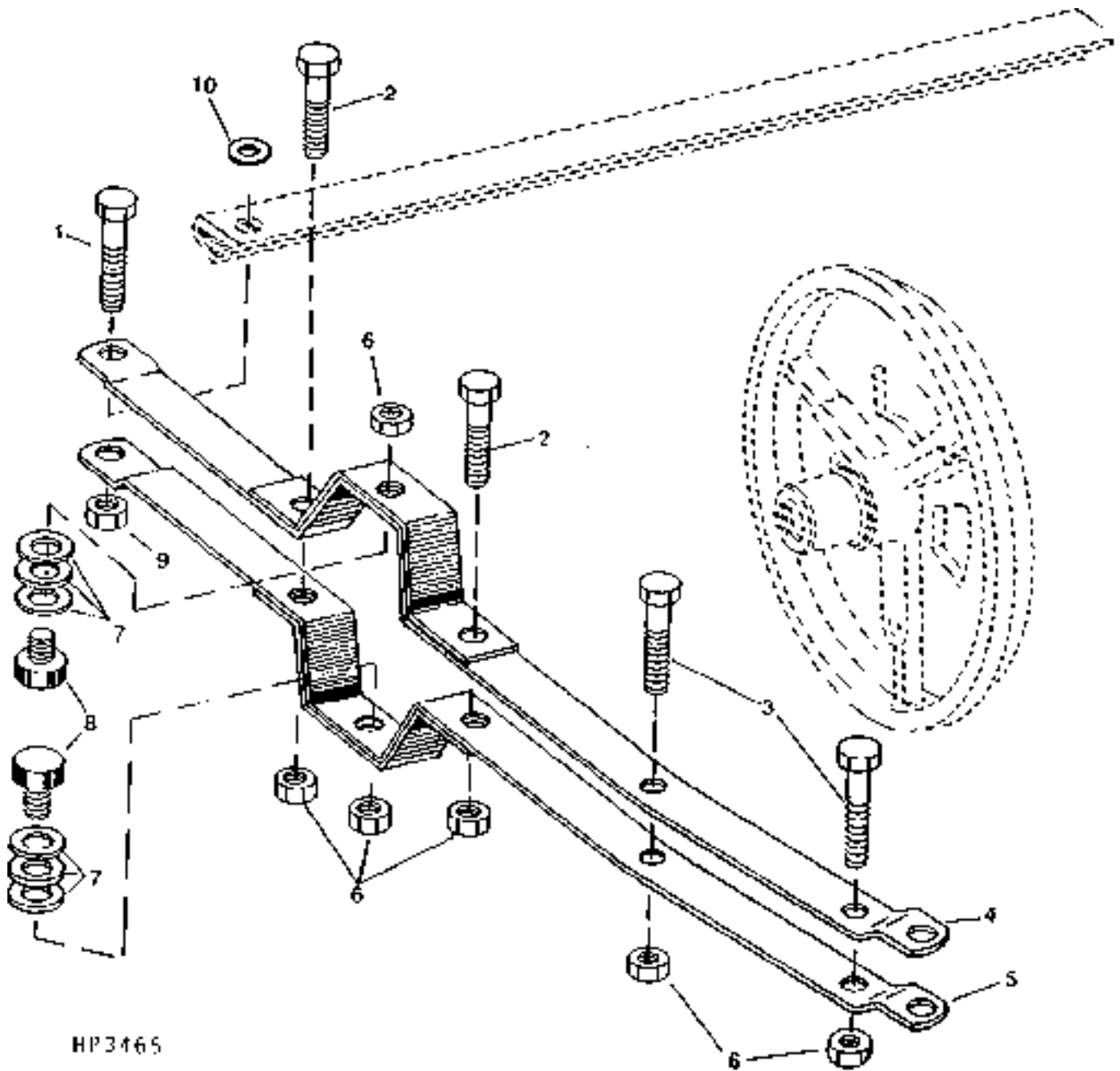
**FAN DRIVE SPEED CONTROL LINKAGE - CONTINUED**  
(655401- )

KEY	PART NO.	PART NAME	QTY	SERIAL NO.	REMARKS
1	AH128384	SHAFT	1		
2	14M7382	NUT	4		M16
3	H140397	THRUST WASHER	3		
4	H133199	TRUNNION	1		
5	AH143904	SUPPORT	1		
6	H25099	SNAP RING	1		
7	H139132	SPACER	3		
8	19M8321	SCREW	3		M6 X 45
9	14M7303	FLANGE NUT	3	-655400	M6
	14M7165	LOCK NUT	3	655401-	M6
10	11M7059	COTTER PIN	1		3.200 X 20 MM
11	45M7045	PIN	1		12 X 90 MM
12	H89515	WASHER	1		
13	H91788	BUSHING	1		

# 5H13

DRIVES

FAN DRIVE SPEED CONTROL SHEAVE LINKAGE  
HP3465 -UN-01JAN94



HP3465



# 5H14

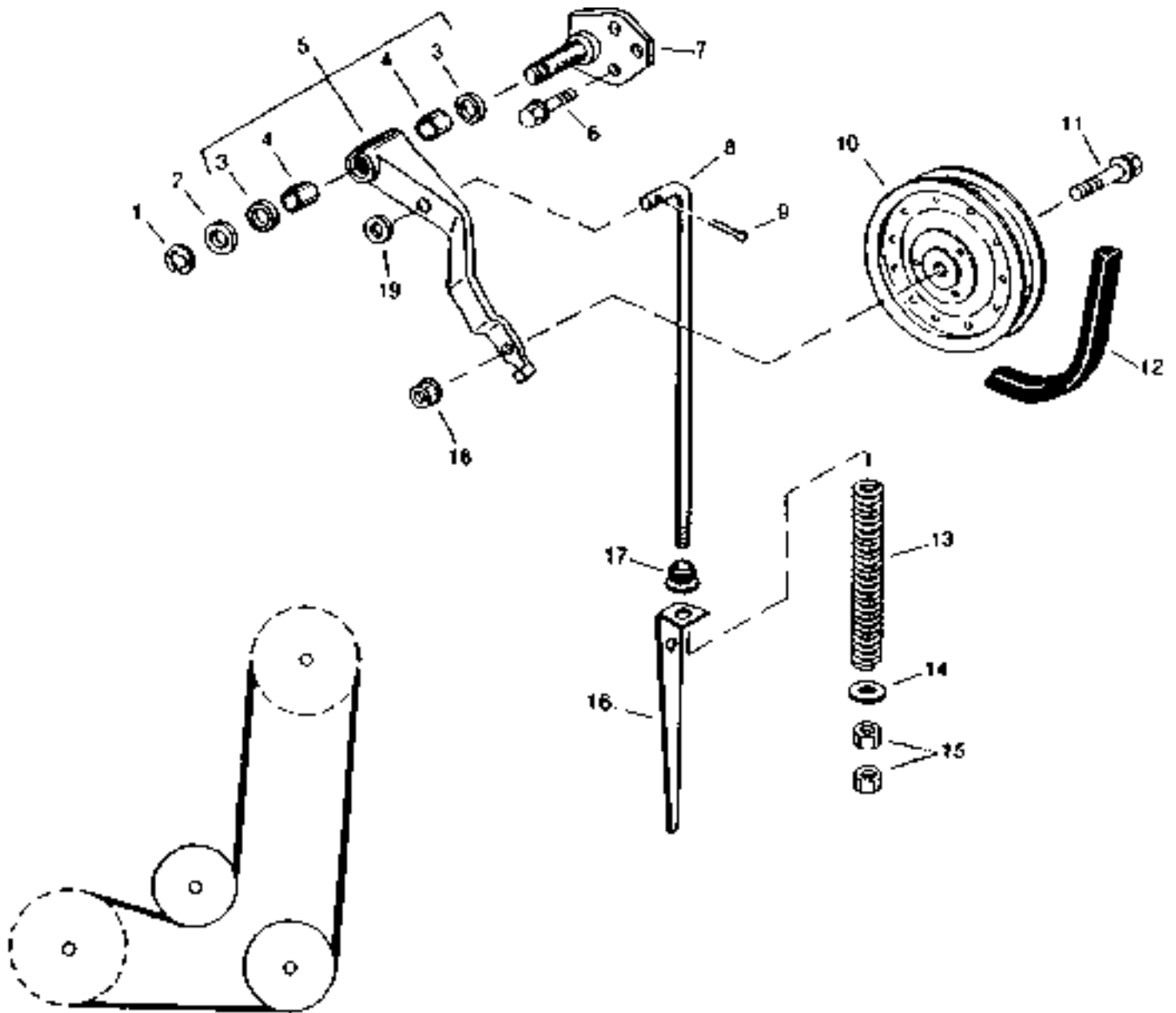
DRIVES

## FAN DRIVE SPEED CONTROL SHEAVE LINKAGE - CONTINUED

KEY	PART NO.	PART NAME	QTY	SERIAL NO.	REMARKS
1	19M7868	SCREW	1		M8 X 30
2	19M7790	SCREW	2		M12 X 35
3	19M7788	SCREW	2		M12 X 25
4	AH134729	ARM	1		
5	AH134730	ARM	1		
6	14M7299	FLANGE NUT	6		M12
7	24H1882	WASHER	6		17/32" X 3/4" X 0.060"
8	19M8169	SCREW	2		M12 X 30
9	14M7298	FLANGE NUT	1		M8
10	28H1511	WASHER	1		0.364" X 0.540" X 1/4"

# 5H15

FEEDER HOUSE DRIVE TIGHTENER  
HP3469 -UN-01JAN94



HP3469

# 5H16

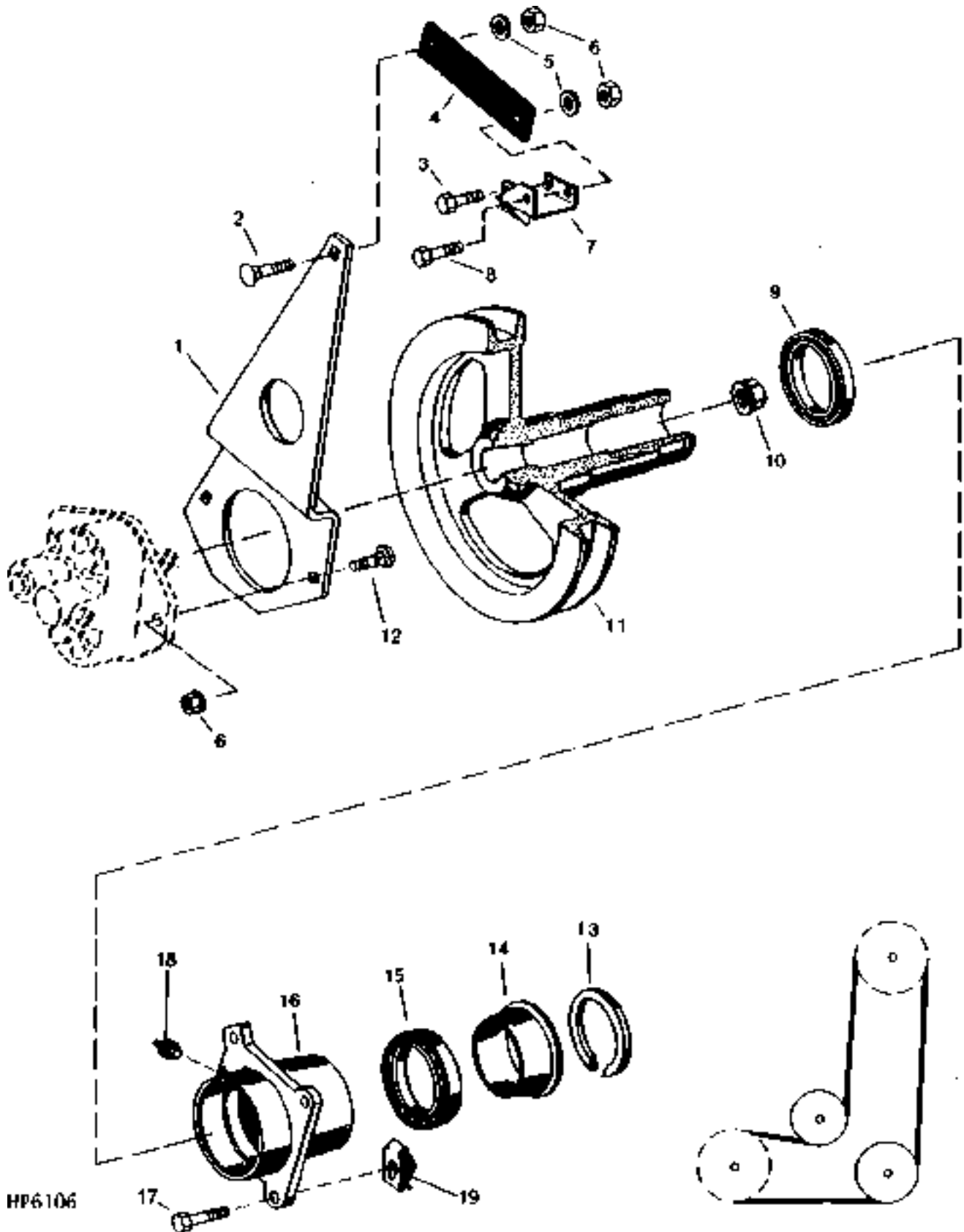
DRIVES

**FEEDER HOUSE DRIVE TIGHTENER - CONTINUED**

KEY	PART NO.	PART NAME	QTY	SERIAL NO.	REMARKS
1	P46402	SNAP RING	1		
2	24M7091	WASHER	1	26 X 44 X 4 MM	
3	AA5607R	SEAL	2		
4	H99147	BUSHING	2	(SUB H171061)	
	H171061	BEARING	2		
5	AH128903	ARM	1		
6	19M7784	SCREW	3	M10 X 20	
7	AH156051	SPRING PIN	1	(SUB FOR AH109197)	
8	H126169	BOLT	1		
9	11M7028	COTTER PIN	1	5 X 32 MM	
10	AH94450	IDLER	1		
11	19M8046	CAP SCREW	1	M16 X 70	
12	H140160	BELT	1		
13	N61654	SPRING	1		
14	24H1373	WASHER	1	21/32" X 1-9/16" X 0.180"	
15	14M7276	NUT	2	M16	
16	H116862	GAUGE	1		
17	H129208	PIVOT	1		
18	14M7291	FLANGE NUT	1	M16	
19	24M7053	WASHER	1	17 X 30 X 3 MM	

# 5H17

REEL / BELT PICKUP CHARGE PUMP MOUNTING AND SHEAVE  
HP6106 -UN-27JUN95



# 5H18

DRIVES

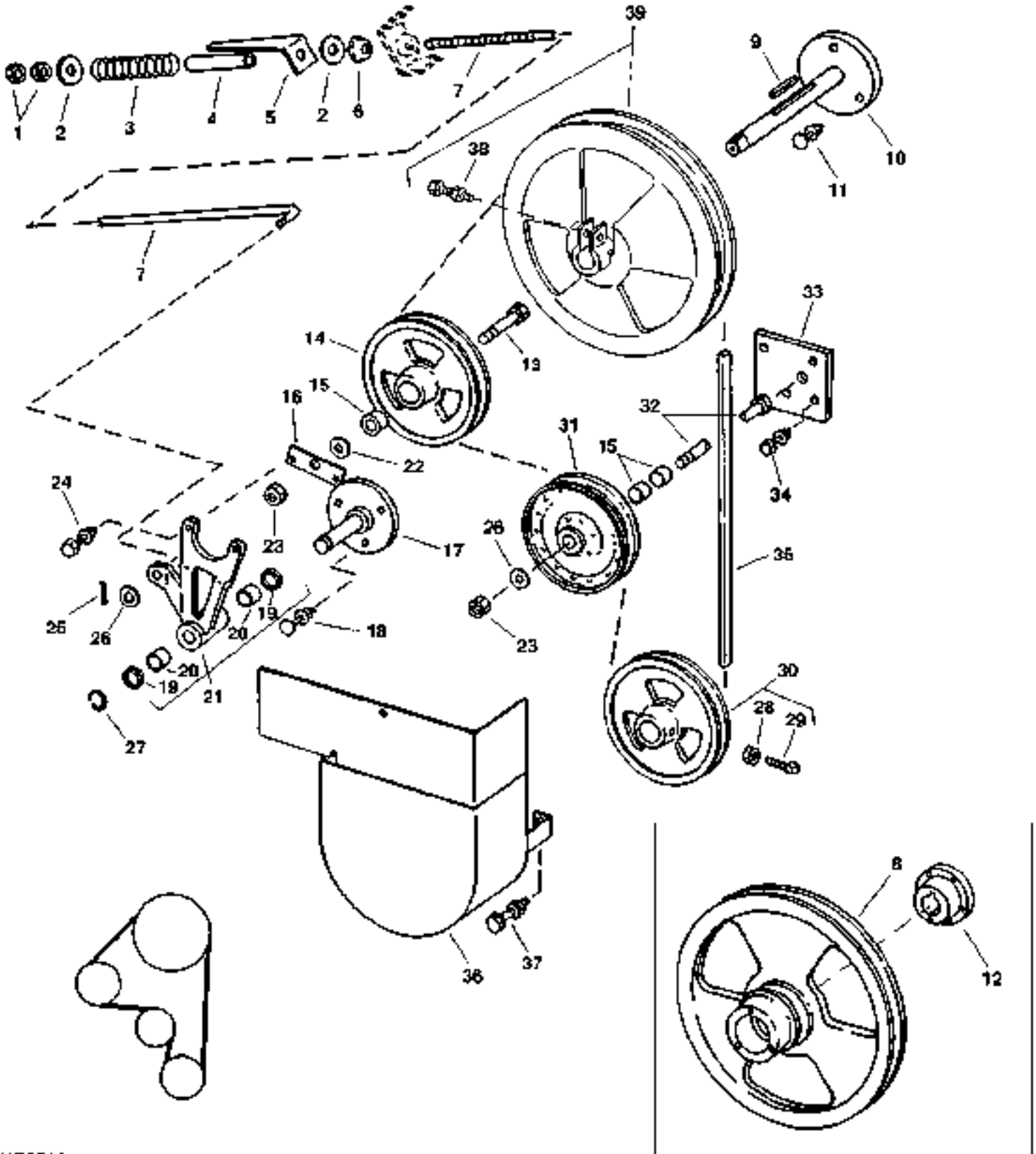
## REEL / BELT PICKUP CHARGE PUMP MOUNTING AND SHEAVE - CONTINUED

KEY	PART NO.	PART NAME	QTY	SERIAL NO.	REMARKS
1	H128098	ARM	1		
2	03M7185	BOLT	1		M8 X 25
3	19M7865	SCREW	4	655542-	M8 X 16 (NOT FOR USE WITH MUDSHIELD) (GRAIN)
4	H78340	STRAP	1		
5	24M7207	WASHER	2		8.400 X 24 X 2 MM
6	14M7298	FLANGE NUT	4	-655400	M8
	14M7396	LOCK NUT	2	655401-	M8
7	H128111	BRACKET	1	655542-	NOT FOR USE WITH MUDSHIELD, (GRAIN)
8	19M7867	SCREW	1	655542-	M8 X 25, (GRAIN)
9	JD10312	BALL BEARING	1		
10	E59406	FLANGE NUT	1		3/8"
11	H132937	SHEAVE	1		
12	03M7186	BOLT	2		M8 X 30
13	BP13616	SNAP RING	1		
14	B2984R	PLUG	1		
15	AZ20216	BALL BEARING	1		
16	H132938	HUB	1		
17	19M7785	SCREW	4		M10 X 25
18	JD7788	LUBRICATION FITTING	1		45° X 20.574 MM LONG (0.810" LONG)
19	H146457	NUT	4		10 MM (0.394")

# 5H19

DRIVES

STRAW CHOPPER DRIVES  
HP6720 -UN-29AUG97



HP6720

# 5H20

DRIVES

**STRAW CHOPPER DRIVES - CONTINUED**

KEY	PART NO.	PART NAME	QTY	SERIAL NO.	REMARKS
1	14M7275	NUT	2	M12	
2	24M7180	WASHER	2	13 X 37 X 3 MM	
3	N165696	SPRING	1		
4	H116916	HOSE	1	-645544	(107MM) MAKE FROM TY22326 BULK HOSE
5	H116650	GAUGE	1		
6	H129207	PIVOT	1		
7	H140159	HOOK BOLT	1		
8	H143745	SHEAVE	1	-670435	
9	.....	KEY	1		3/8" X 3/8" X 1 1/2", (CUT FROM H64376 IN AH64587 KIT)
10	H147229	SHAFT	1		
11	19M7897	SCREW	3	-670400	M8 X 35
12	H138983	HUB	1	-670400	
13	19M7824	SCREW	1		M16 X 60
14	AN15237	IDLER	1		
15	N183269	BUSHING	3		
16	H140617	STRAP	1		
17	AH134593	PIVOT	1		
18	03M7191	BOLT	3		M10 X 25
	14M7296	FLANGE NUT	3		M10
19	H99147	BUSHING	2		(SUB H171061)
	H171061	BEARING	2		
20	AA5607R	SEAL	2		
21	AH135181	ARM	1		
22	24M7241	WASHER	1		17 X 34 X 4 MM
23	14M7291	FLANGE NUT	1		M16
24	19M7835	SCREW	3		M10 X 35
	14M7296	FLANGE NUT	3		M10
25	11M7021	COTTER PIN	1		4 X 25 MM
26	24M7091	WASHER	1		26 X 44 X 4 MM
27	P46402	SNAP RING	1		
28	14M7152	NUT	1		M10
29	H138435	SET SCREW	1		
30	AH119770	SHEAVE	1		
31	AH97031	IDLER	1		
32	19M7845	SCREW	1		M16 X 90
33	H146026	PLATE	1		
34	19M7785	SCREW	4		M10 X 25
	14M7296	FLANGE NUT	4		M10
35	H141417	BELT	1		
36	AH149236	SHIELD	1		(SUB FOR AH137779 OR AH142786)
37	19M7866	SCREW	1		M8 X 20
	14M7298	FLANGE NUT	1		M8
38	19M7805	SCREW	1	670435-	M10 X 45
	14M7296	FLANGE NUT	1	670435-	M10
39	AH142436	SHEAVE	1	670435-	



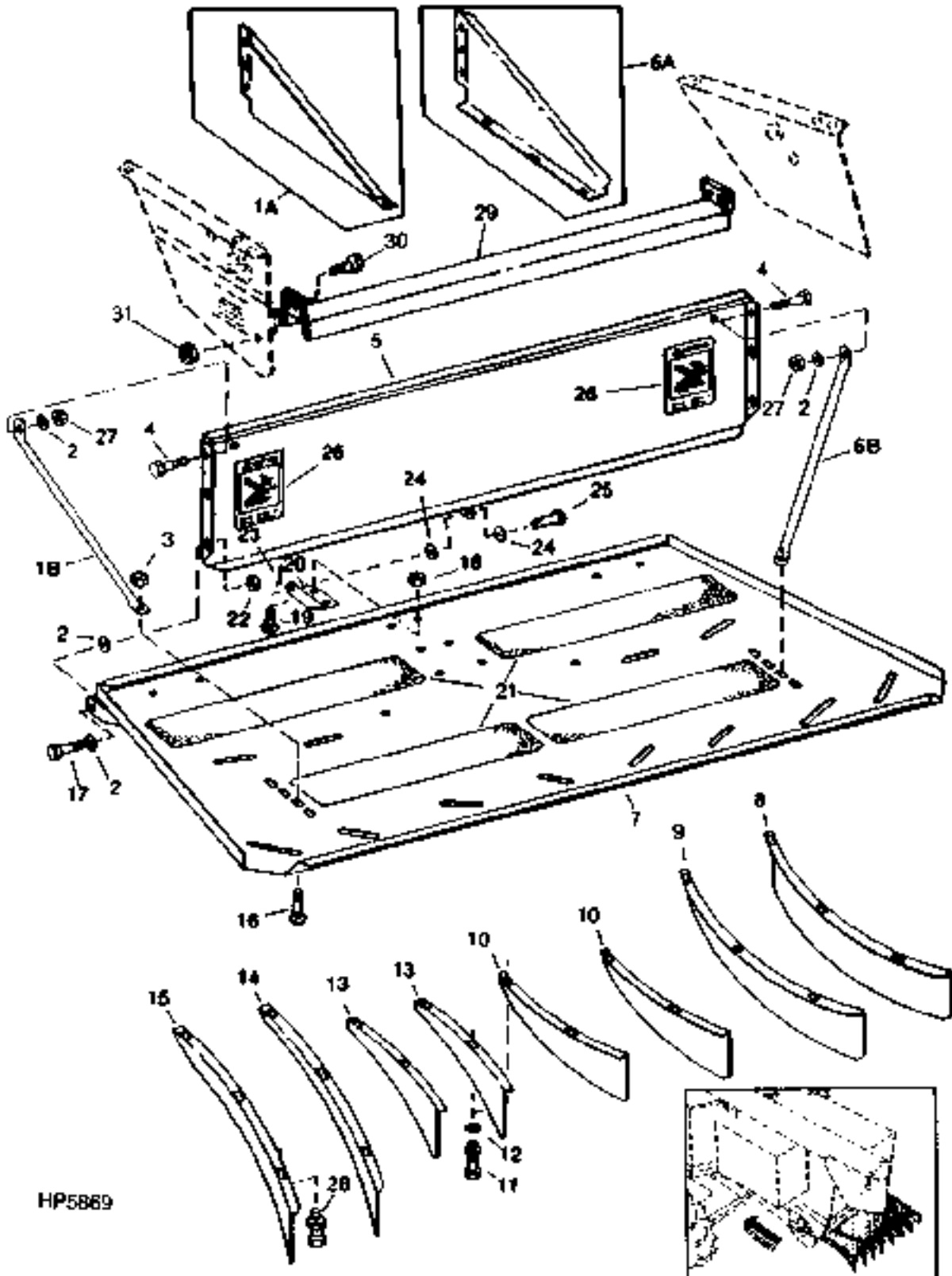


MEMORANDA

# 6B10

RESIDUE DISPOSAL

STRAW CHOPPER DECK, SUPPORTS AND FINNS  
HP5869 -UN-14OCT94



HP5869

# 6B11

RESIDUE DISPOSAL

## STRAW CHOPPER DECK, SUPPORTS AND FINS - CONTINUED

KEY	PART NO.	PART NAME	QTY	SERIAL NO.	REMARKS
1A	H143920	BRACKET	1	-650523	(SUB H126335)
1B	H126335	PIPE	1	-660400	LEFT-HAND
	H151182	PIPE	1	660401-	
2	H126334	LOCK WASHER	AR		11.230 X 22.230 X 1.140 MM (0.442" X 0.875" X 0.045")
3	14M7296	FLANGE NUT	12		M10
	14M7296	FLANGE NUT	8		M10
4	19M7835	SCREW	6		M10 X 35
5	AH139791	SHEET	1	-660400	(SUB FOR AH138891)
	AH144478	SHEET	1	660401-	FOR WIDE SPREAD STRAW CHOPPER
6A	H143921	BRACKET	1	-650523	(SUB H126336)
6B	H126336	PIPE	1	-660400	RIGHT-HAND
	H151181	PIPE	1	660401-	
7	AH137792	SUPPORT	1		DEFLECTOR
8	H130949	VANE	1		
	H150401	DEFLECTOR	3	660401-	(GRAIN)
9	H114535	VANE	1		
10	H114537	VANE	2		
	H150403	DEFLECTOR	3	660401-	(GRAIN)
11	03M7183	BOLT	AR		M8 X 16
	14M7396	LOCK NUT	AR		M8
12	24M7207	WASHER	AR		8.400 X 24 X 2 MM
13	H114538	VANE	2		
14	H114536	VANE	1		
	H150404	DEFLECTOR	3	660401-	(GRAIN)
15	H130948	VANE	1		
	H150402	DEFLECTOR	3	660401-	(GRAIN)
16	03M7191	BOLT	6		M10 X 25
	03M7191	BOLT	2		M10 X 25
17	19M7167	CAP SCREW	2		M10 X 25
18	14M7298	FLANGE NUT	2		M8
19	03M7184	BOLT	2		M8 X 20
20	H128124	BRACKET	1		
21	H136013	MAT	4		
22	14M7400	LOCK NUT	2		M10
23	11M7009	COTTER PIN	1		2 X 16 MM
24	24M7238	WASHER	2		8.700 X 17 X 2 MM
25	45M7044	PIN	1		
26	H149102	DECAL	2		(SUB FOR H144288) "WARNING" CHOPPER POSITION
27	14M7400	LOCK NUT	2		M10
28	03M7184	BOLT	4	660401-	M8 X 20
	14M7376	LOCK NUT	4	660401-	M6
29	H150408	SHEET	1	660401-	
30	19M7866	SCREW	4	660401-	M8 X 20
31	14M7298	FLANGE NUT	4	660401-	M8

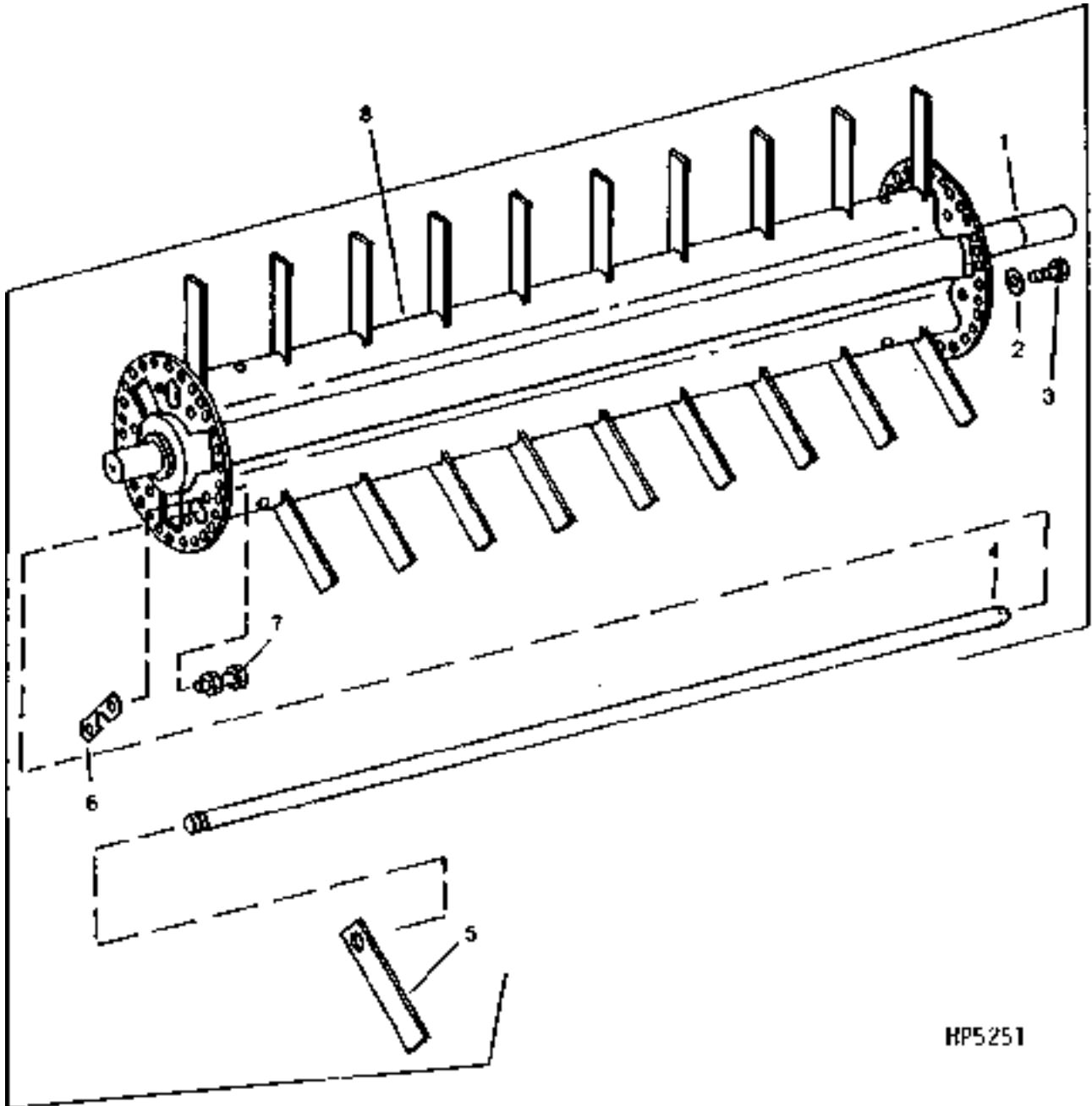
# 6B12

RESIDUE DISPOSAL

TRI ROTOR STRAW CHOPPER

(-655400)

HP5251 -UN-01JAN94



HP5251

# 6B13

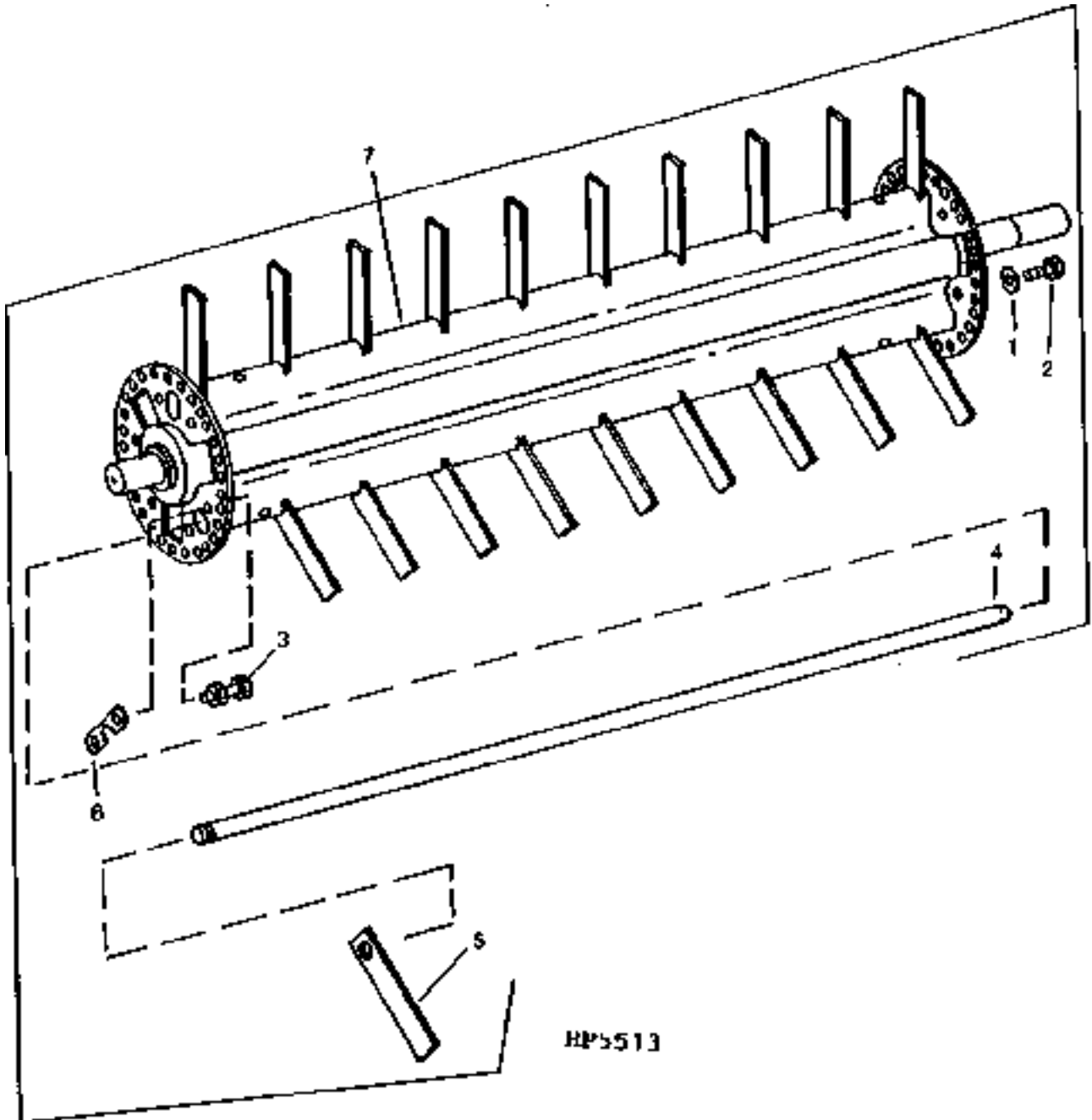
RESIDUE DISPOSAL

**TRI ROTOR STRAW CHOPPER - CONTINUED**  
( -655400)

KEY	PART NO.	PART NAME	QTY	SERIAL NO.	REMARKS
1	H145275	SHAFT	1		
2	H128080	WASHER	AR		9 X 19 X 1.5
	H128081	WASHER	AR		9 X 31.8 X 1.5
	H128082	WASHER	AR		9 X 34.9 X 3
	H128083	WASHER	AR		9 X 50.8 X 5
	H147304	WASHER	AR		9 X 34.9 X 5
3	H147302	BOLT	AR		3/4"
	H128357	CAP SCREW	AR		1"
	H128358	CAP SCREW	AR		1-1/4"
	H128359	CAP SCREW	AR		1-1/2"
4	H139600	PIN	3	-650400	NON-CHROMED
	H149401	PIN	3	650401-	CHROMED
5	AH124635	BLADE	1		SET OF 6 BLADES
	AH128359	BLADE	1		SET OF 36 BLADES
6	H146414	RETAINER	3		
7	H128357	CAP SCREW	AR		7.925 X 25.400 MM
	H143332	LOCK NUT	AR		7.925 MM
8	AH140010	ROTOR	1	-650400	NON-CHROMED
	AH165773	ROTOR	1	650401-	(SUB FOR AH143281 OR AH144032) CHROMED
	AH168948	ROTOR	1		

# 6B14

TRI ROTOR STRAW CHOPPER (655401 - )  
HP5513 -UN-01JAN94



HP5513

# 6B15

RESIDUE DISPOSAL

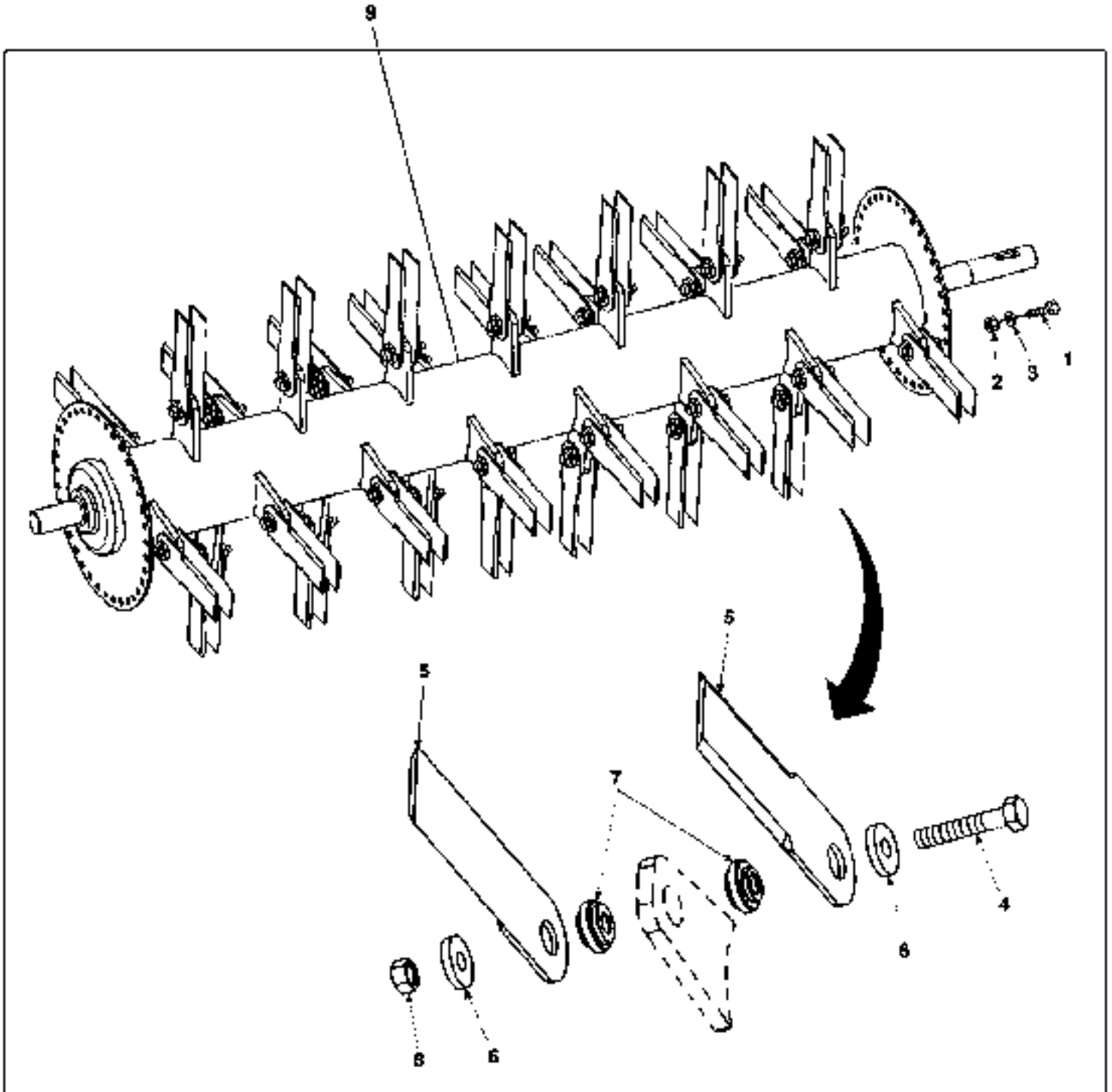
TRI ROTOR STRAW CHOPPER (655401 - ) - CONTINUED

KEY	PART NO.	PART NAME	QTY	SERIAL NO.	REMARKS
1	H128080	WASHER	AR	9 X 19 X 1.5	
	H128081	WASHER	AR	9 X 31.8 X 1.5	
	H128082	WASHER	AR	9X 34.9 X 3	
2	H128083	WASHER	AR	9 X 50.8 X 5	
	H147304	WASHER	AR	9 X 34.9 X 5	
	H147302	BOLT	AR	3/4"	
	H128357	CAP SCREW	AR	1"	
	H128358	CAP SCREW	AR	1-1/4"	
3	H128359	CAP SCREW	AR	1-1/2"	
	H128357	CAP SCREW	AR		
4	H143332	LOCK NUT	13		
	H149401	PIN	3		
5	AH124635	BLADE	1	SET OF 6 BLADES	
	AH128359	BLADE	1	SET OF 36 BLADES	
6	H146414	RETAINER	3		
7	AH143426	ROTOR	1		

# 6B16

RESIDUE DISPOSAL

FINE CUT ROTOR STRAW CHOPPER (STRAIGHT NARROW) (670401- )  
HP6730 -UN-22MAY97



HP6730



# 6B17

RESIDUE DISPOSAL

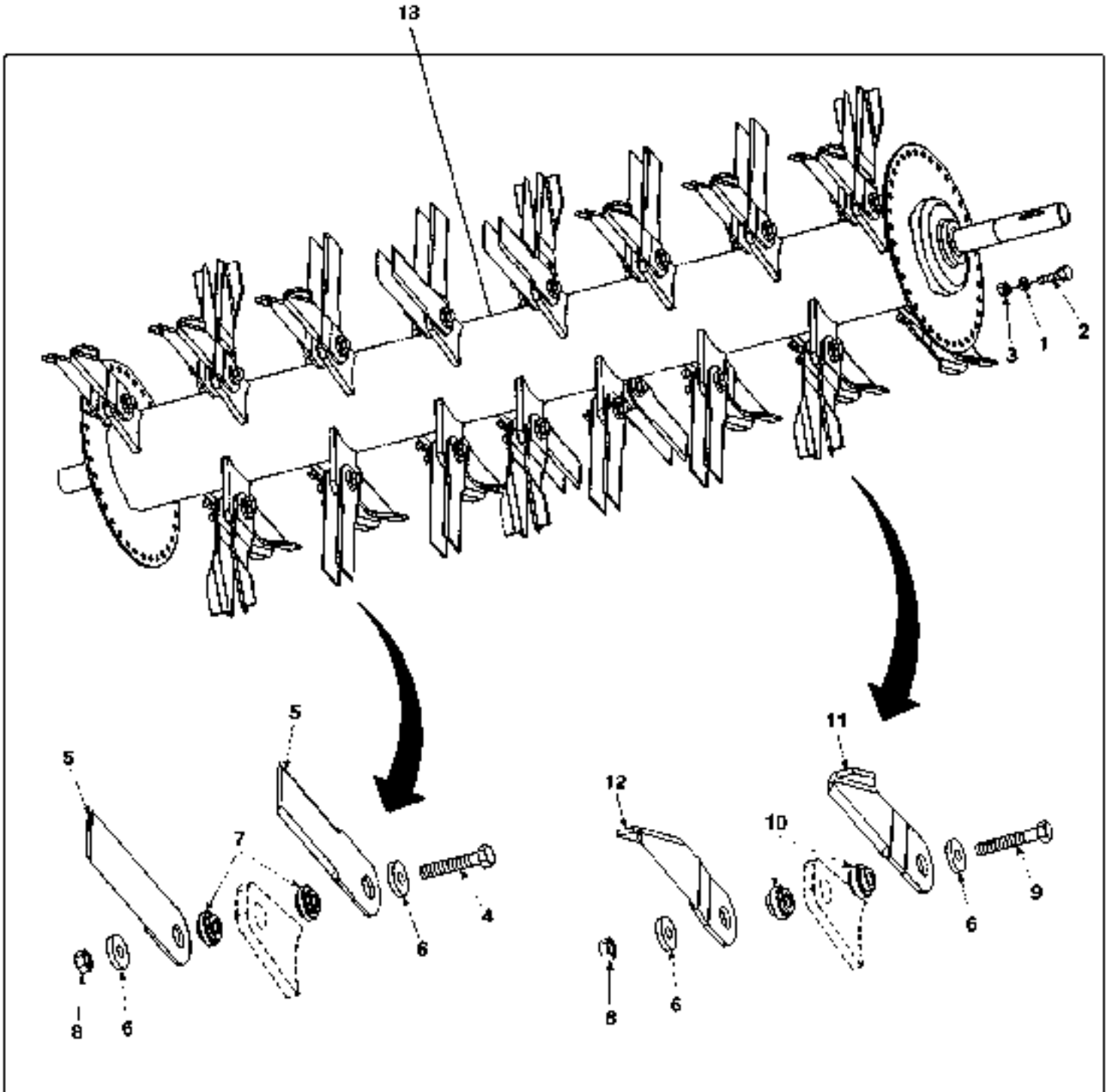
FINE CUT ROTOR STRAW CHOPPER (STRAIGHT NARROW) (670401- ) - CONTINUED

KEY	PART NO.	PART NAME	QTY	SERIAL NO.	REMARKS
1	H128080	WASHER	AR	9 X 19 X 1.5	
	H128081	WASHER	AR	9 X 31.8 X 1.5	
	H128082	WASHER	AR	9X 34.9 X 3	
2	H128083	WASHER	AR	9 X 50.8 X 5	
	H147304	WASHER	AR	9 X 34.9 X 5	
	H147302	BOLT	AR	3/4"	
	H128357	CAP SCREW	AR	1"	
	H128358	CAP SCREW	AR	1-1/4"	
	H128359	CAP SCREW	AR	1-1/2"	
3	H143332	LOCK NUT	AR	5/16"	
4	19M7935	CAP SCREW	30	M10 X 55	
5	H156098	BLADE	1		
6	H156101	WASHER	60		
7	H156100	BUSHING	60		
8	A51212	LOCK NUT	30	M10	
9	AH151537	ROTOR	1		

# 6B18

RESIDUE DISPOSAL

FINE CUT ROTOR STRAW CHOPPER (PADDLED NARROW) (670401- )  
HP6731 -UN-22MAY97



HP6731

# 6B19

RESIDUE DISPOSAL

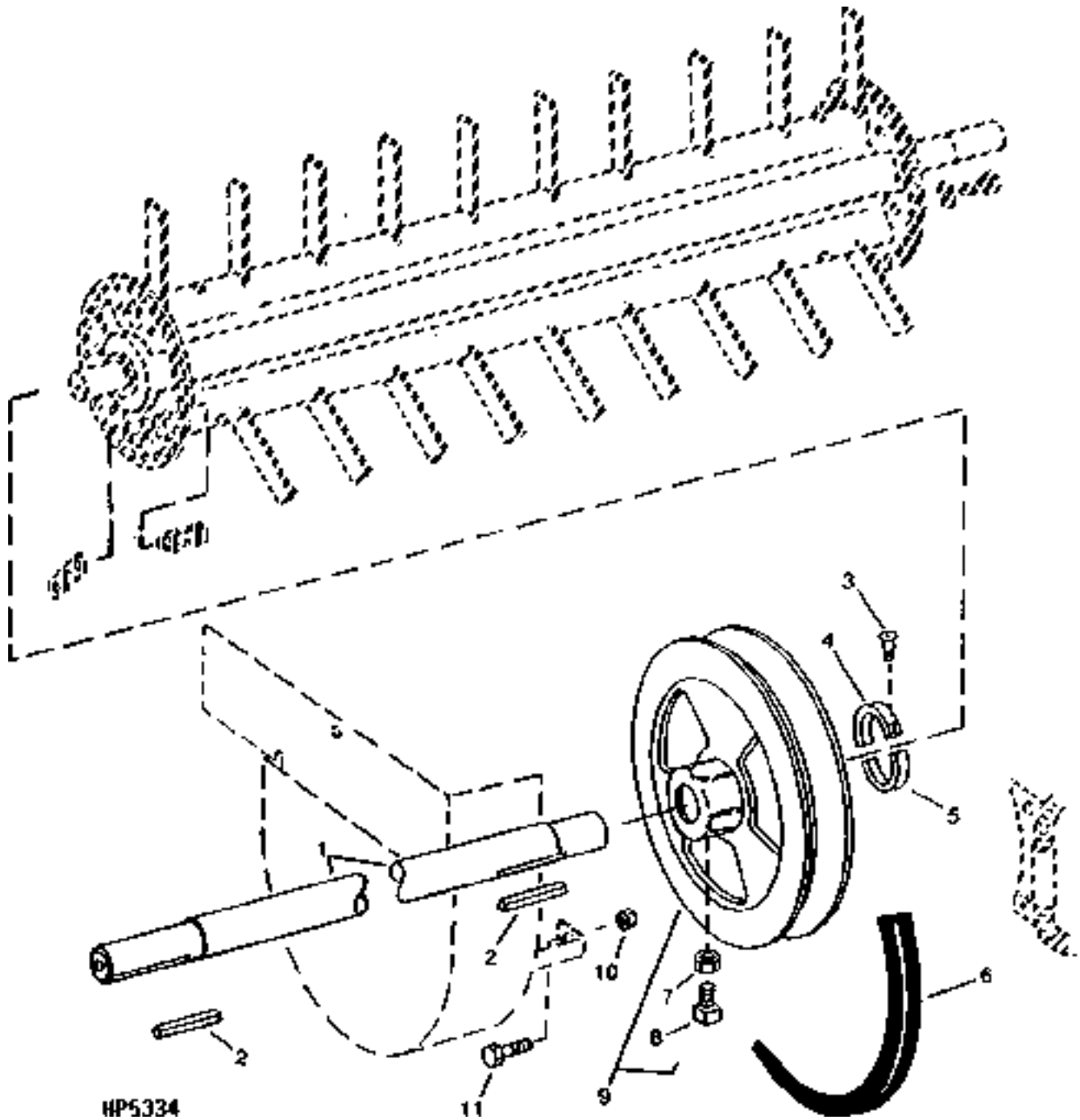
FINE CUT ROTOR STRAW CHOPPER (PADDLED NARROW) (670401- ) - CONTINUED

KEY	PART NO.	PART NAME	QTY	SERIAL NO.	REMARKS
1	H128080	WASHER	AR		9 X 19 X 1.5
	H128081	WASHER	AR		9 X 31.8 X 1.5
	H128082	WASHER	AR		9X 34.9 X 3
2	H128083	WASHER	AR		9 X 50.8 X 5
	H147304	WASHER	AR		9 X 34.9 X 5
	H147302	BOLT	AR		3/4"
	H128357	CAP SCREW	AR		1"
	H128358	CAP SCREW	AR		1-1/4"
	H128359	CAP SCREW	AR		1-1/2"
3	H143332	LOCK NUT	AR		5/16"
4	19M7935	CAP SCREW	12		M10 X 55
5	H156098	BLADE	24		STRAIGHT
6	H156101	WASHER	60		
7	H156100	BUSHING	24		
8	A51212	LOCK NUT	30		M10
9	19M8499	CAP SCREW	18		M10 X 60
10	H158364	BUSHING	36	-30MAR8	
	H167127	BUSHING	60	30MAR8-	
11	H158405	BLADE	18	-30MAR8	(SUB AH160606)
12	H158404	BLADE	18	-30MAR8	(SUB AH160606)
13	AH151539	ROTOR	1	-30MAR8	
	AH160426	ROTOR	1	30MAR8-	

# 6B20

RESIDUE DISPOSAL

STRAW CHOPPER, ROTOR AND SHEAVE  
HP5334 -UN-01JAN94



# 6B21

RESIDUE DISPOSAL

## STRAW CHOPPER ROTOR AND SHEAVE - CONTINUED

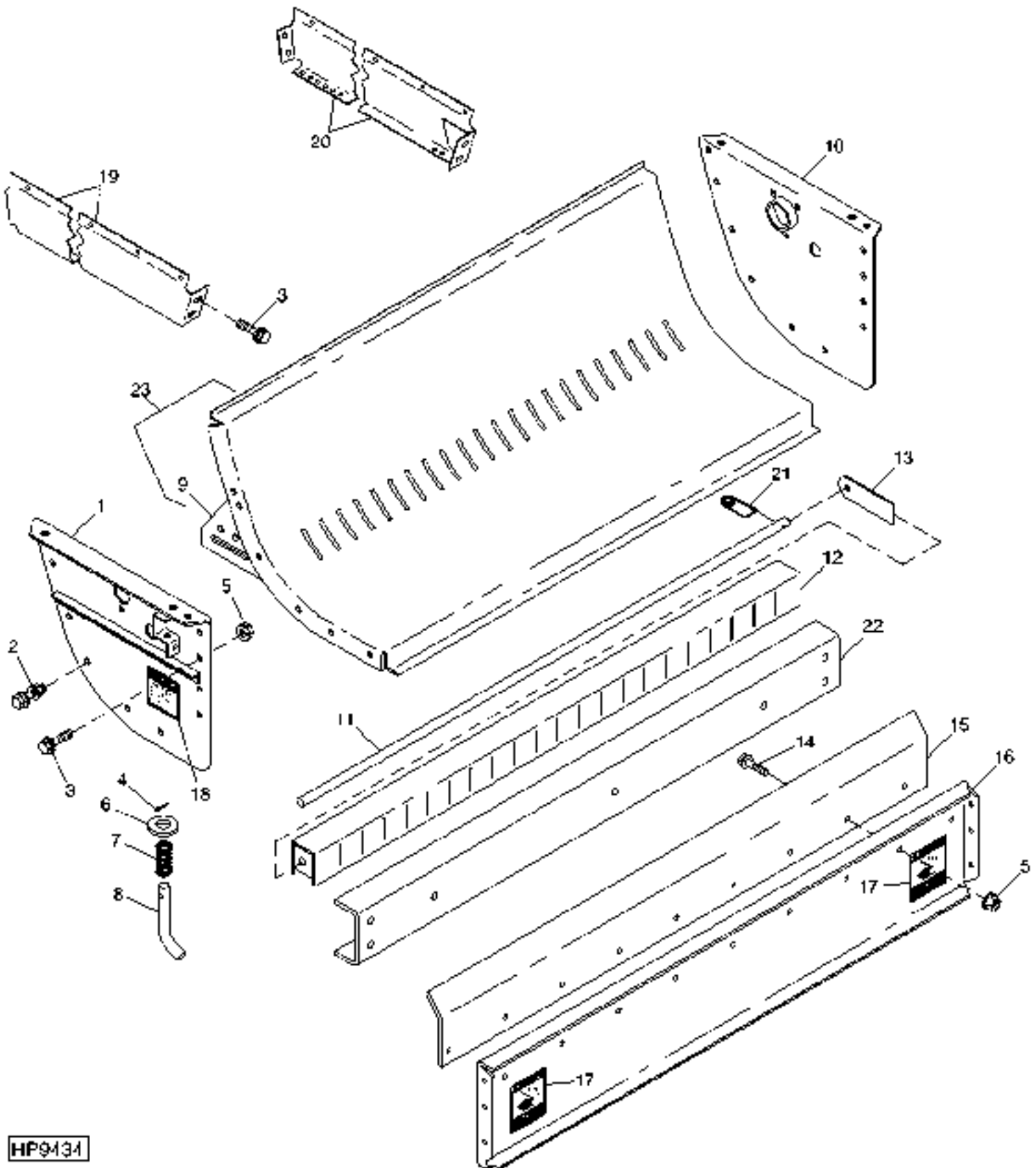
KEY	PART NO.	PART NAME	QTY	SERIAL NO.	REMARKS
1	H145275	SHAFT	1		
2	H64375	SHAFT KEY	2		(SUB FOR H98896)
3	21H1419	SCREW	1		0.190" X 1"
4	H104794	ACTUATOR	1		
5	H104793	ACTUATOR	1		
6	H125381	BELT	1		
	P47885	BELT	1		(SUB H23950)
	H23950	BELT	1		
7	14M7152	NUT	1		M10
8	H138435	SET SCREW	2		
9	AH119770	SHEAVE	2		
10	14M7298	FLANGE NUT	1		M8
11	19M7865	SCREW	1		M8 X 16

# 6B22

RESIDUE DISPOSAL

## STRAW CHOPPER HOUSING AND KNIFEBANK

HP9434 -UN-15DEC99



HP9434

# 6B23

RESIDUE DISPOSAL

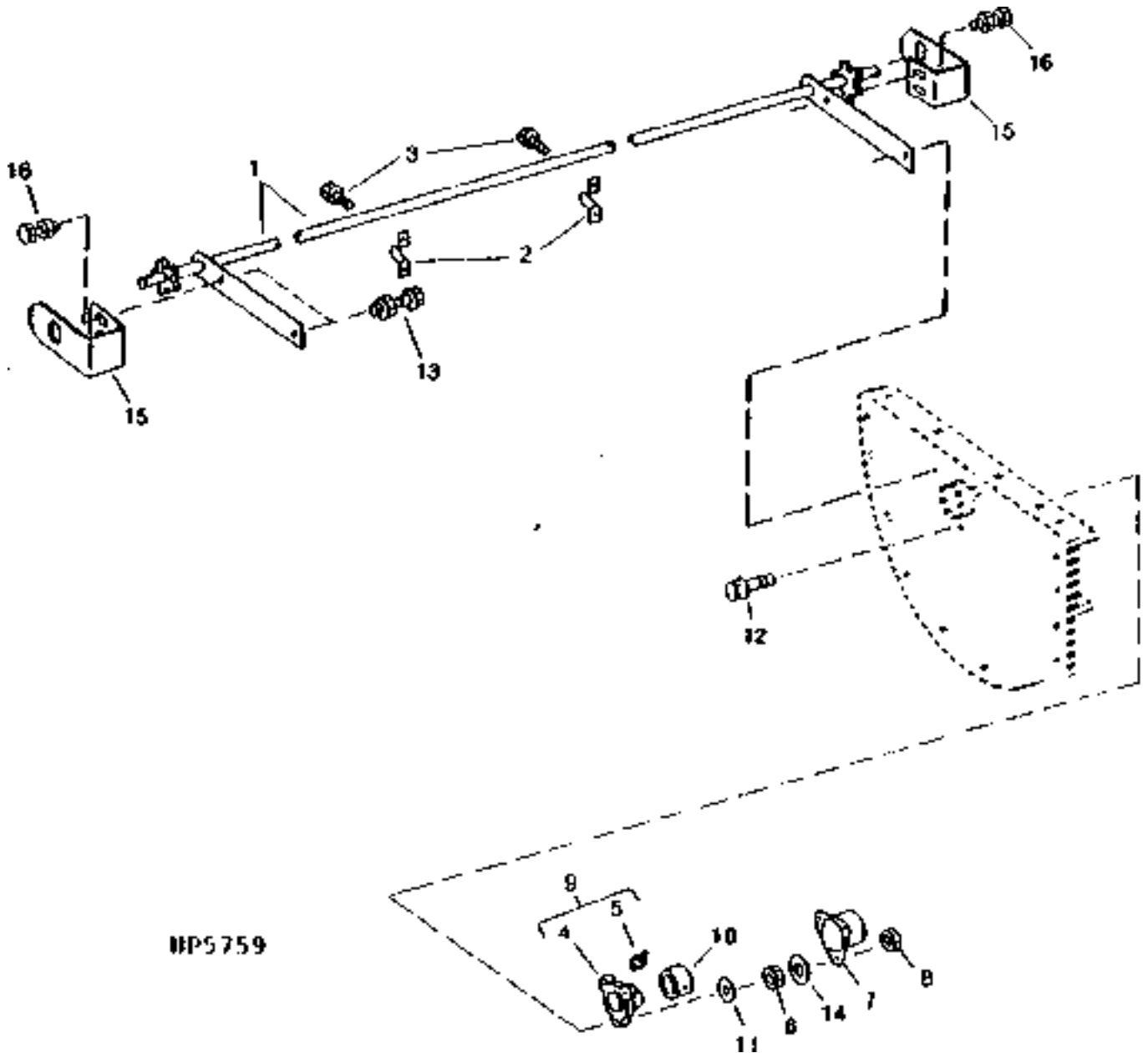
## STRAW CHOPPER HOUSING AND KNIFEBANK - CONTINUED

KEY	PART NO.	PART NAME	QTY	SERIAL NO.	REMARKS
1	AH138156	SHEET	1		(SUB AH165937) L.H.
	AH165937	SHEET	1		L.H.
2	19M7866	SCREW	AR		M8 X 20
3	19M7785	SCREW	4		M10 X 25
4	11M7059	COTTER PIN	2		3.200 X 20 MM
5	14M7298	FLANGE NUT	AR		M8
6	24H1341	WASHER	2		17/32" X 15/16" X 0.060"
7	B28970	SPRING	2		
8	H136179	PIN	2		
9	H149026	SUPPORT	1	-655400	WELDED
	H149027	SUPPORT	1		WELDED
10	AH138157	SHEET	1		(SUB AH165936) R.H.
	AH165936	SHEET	1		R.H.
11	H149992	PIN	1		(SUB H172439) (SUB FOR H141138)
	H172439	PIN	1		
12	AH140129	CHANNEL	1		
13	H142141	KNIFE	29		
	AH149677	KNIFE	1	670401-	FINE CUT CHOPPER
14	19M7866	SCREW	AR		M8 X 20
15	H146308	SHIELD	1		
16	AH139791	SHEET	1		
17	H149102	DECAL	2		(SUB FOR H144288) "WARNING" CHOPPER POSITION
18	H145857	LABEL	1	-29SEP7	"IMPORTANT" CHOPPER POSITION
	H165247	LABEL	1	29SEP7-	CHOPPER POSITION - BOTH SIDES
	H145858	LABEL	1		"WARNING" CHOPPER POSITION (FRENCH)
19	AH139680	SUPPORT	1		L.H.
20	AH139679	SUPPORT	1		R.H.
21	11M7059	COTTER PIN	2	-655400	3.200 X 20 MM
	H114001	QUICK LOCK PIN	1	655401-	
22	H145778	RAIL	1		
23	AH138155	SHEET	1	-655400	(SUB AH143048, AH140129, H149992, (29) H142141, (2) 11M7059, (2) 03M7191, (2) 14M7296)
	AH143048	SHEET	1	655401-	

# 6B24

RESIDUE DISPOSAL

STRAW CHOPPER HOUSING AND KNIFEBANK  
HP5759 -UN-01JAN94





# 6B25

RESIDUE DISPOSAL

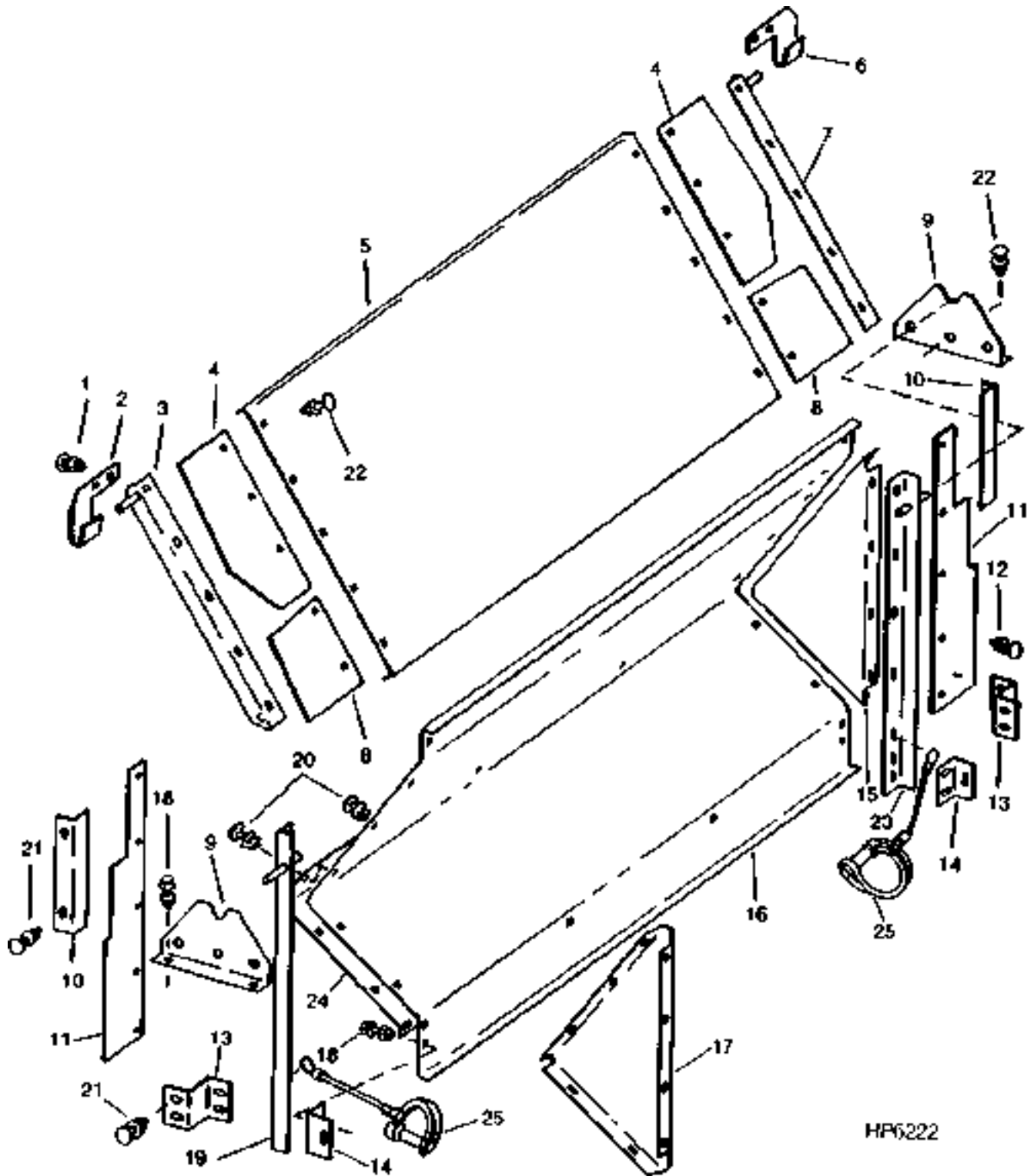
## STRAW CHOPPER HOUSING AND KNIFE BANK - CONTINUED

KEY	PART NO.	PART NAME	QTY	SERIAL NO.	REMARKS
1	AH135837	DRIVE SPROCKET	1		
2	H84990	CLAMP	2		
3	03M7184	BOLT	2	M8 X 20	
4	JD10387	BALL BEARING	1		
5	JD7844	LUBRICATION FITTING	1		
6	14M7337	NUT	1	M10	
7	H145319	COVER	1		
8	14M7274	NUT	1	M10	
9	AH139260	BEARING	1		
10	JD8576	ECCENTRIC LOCKING COLLAR	1		
11	24M7239	WASHER	6	10.700 X 21 X 2.500 MM	
12	19M7805	SCREW	6	M10 X 45	
13	19M7867	SCREW	4	M8 X 25	
	14M7298	FLANGE NUT	4	M8	
14	24M7028	WASHER	3	10.500 X 20 X 2 MM	
15	H141388	SHIELD	2		
16	19M7867	SCREW	4	M8 X 25	
	14M7298	FLANGE NUT	4	M8	

# 6C1

RESIDUE DISPOSAL

## STRAW CHOPPER UPPER REAR DOOR HP6222 -UN-23JAN96



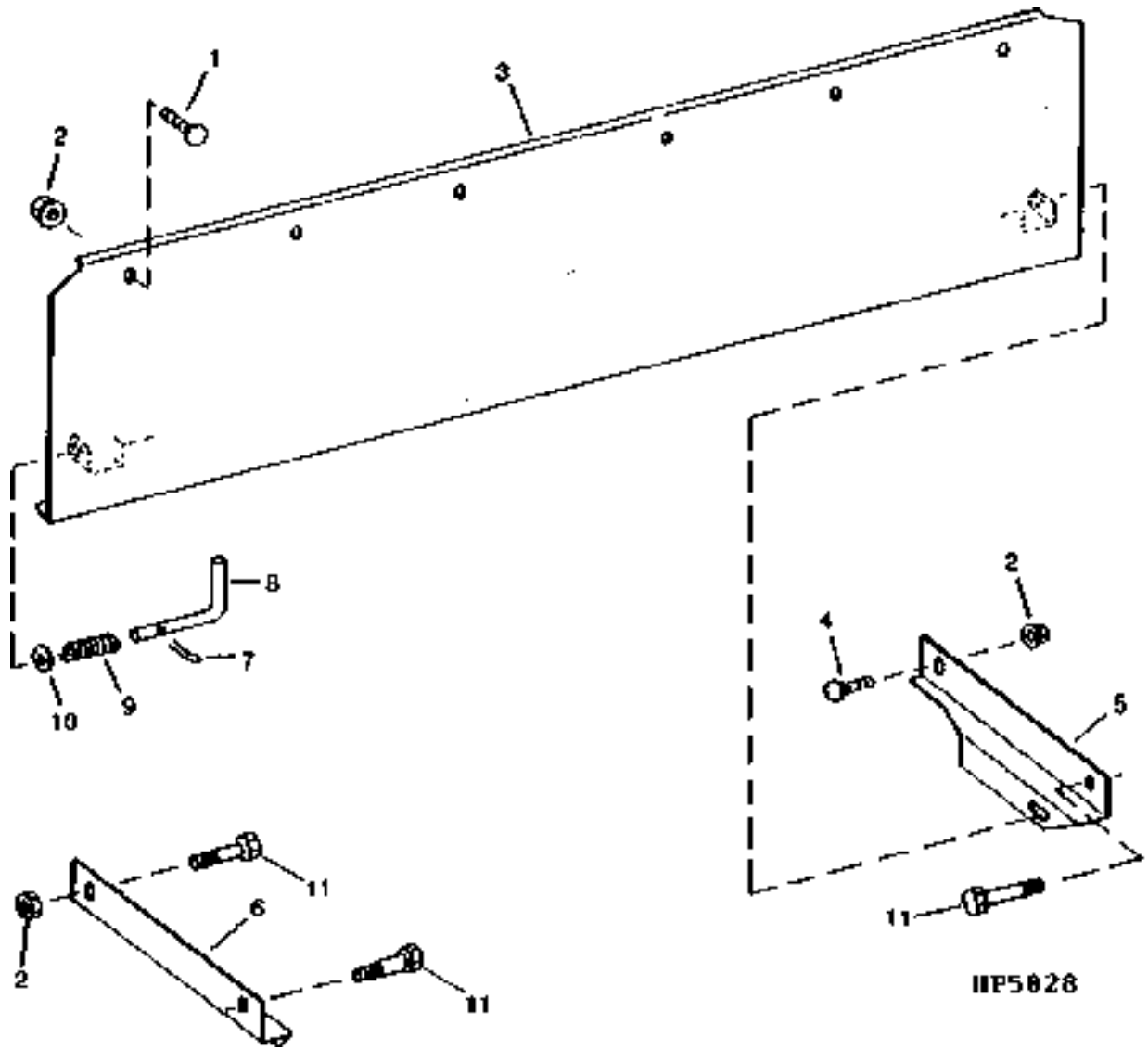
HP6222

## STRAW CHOPPER UPPER REAR DOOR - CONTINUED

KEY	PART NO.	PART NAME	QTY	SERIAL NO.	REMARKS
1	03M7183	BOLT	AR	M8 X 16	
	14M7396	LOCK NUT	AR	M8	
2	H145689	BRACKET	1		
3	AH139596	ANGLE	1		
4	H145686	STRAP	2		
5	H145683	DOOR	1		
6	H145688	BRACKET	1		
7	AH139595	ANGLE	1		
8	H145687	STRAP	2		
9	H147073	BRACKET	2		
10	H145695	ANGLE	2		
11	H147072	STRAP	2		
12	19M7866	SCREW	AR	M8 X 20	
	14M7396	LOCK NUT	AR	M8	
13	H147105	BRACKET	2		
14	H147106	ANGLE	2		
15	H145693	COVER	1		
16	H147104	DOOR	1		
17	H145694	COVER	1		
18	19M7866	SCREW	AR	M8 X 20	
	14M7396	LOCK NUT	AR	M8	
19	AH140995	ANGLE	1		
20	03M7184	BOLT	AR	M8 X 20	
	14M7396	LOCK NUT	AR	M8	
21	03M7183	BOLT	AR	M8 X 16	
	14M7298	FLANGE NUT	AR	M8	
22	03M7184	BOLT	AR	M8 X 20	
23	AH140994	ANGLE	1		
24	H147319	REINFORCEMENT	1	655542-	(CORN CONVERSION)
25	AH148578	PIN	2	665401-	

# 6C3

## STRAW CHOPPER LOWER DOOR HP5828 -UN-01JAN94



# 6C4

RESIDUE DISPOSAL

## STRAW CHOPPER LOWER DOOR - CONTINUED

KEY	PART NO.	PART NAME	QTY	SERIAL NO.	REMARKS
1	03M7191	BOLT	6	M10 X 25	
2	14M7298	FLANGE NUT	10	M8	
3	AH139988	DOOR	1		
4	03M7185	BOLT	2	M8 X 25	
5	H146047	SUPPORT	1	R.H.	
6	H146046	SUPPORT	1	L.H.	
7	11M7059	COTTER PIN	2	3.200 X 20 MM	
8	H136179	PIN	2		
9	B28970	SPRING	2		
10	24H1342	WASHER	2	17/32" X 1-1/4" X 0.036"	
11	19M7866	SCREW	1	M8 X 20	

# 6C5

RESIDUE DISPOSAL

## METRIC KEY STOCK KIT

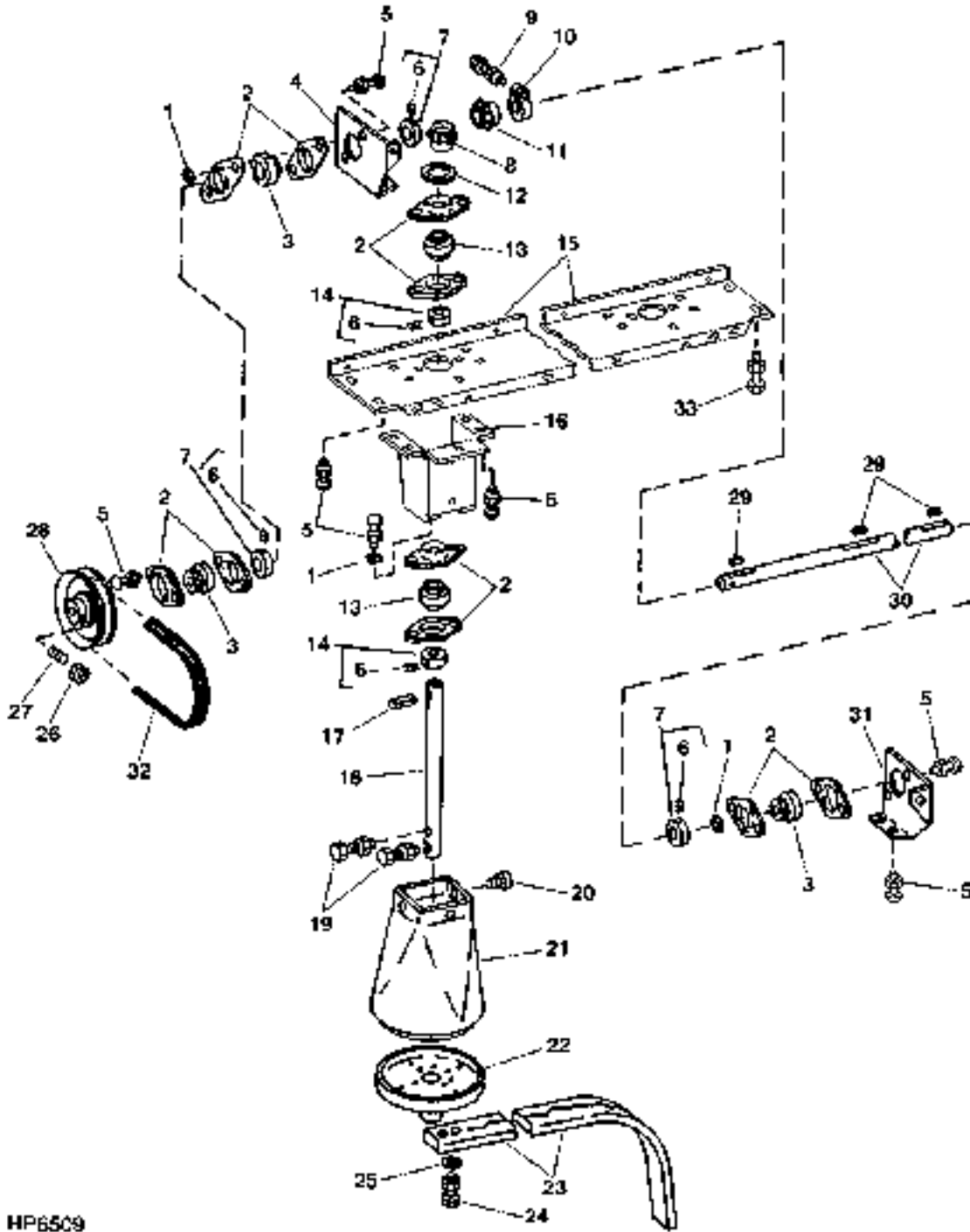
KEY	PART NO.	PART NAME	QTY	SERIAL NO.	REMARKS
..	.....	SHAFT KEY	3		5 X 305MM SQUARE (IN AH141142 KEY STOCK KIT) (CUT FROM H150267)
..	.....	SHAFT KEY	3		6 X 305MM SQUARE (IN AH141142 KEY STOCK KIT) (CUT FROM H150268)
..	.....	SHAFT KEY	1		8 X 305MM SQUARE (IN AH141142 KEY STOCK KIT) (CUT FROM H150275)
..	.....	SHAFT KEY	2		8 X 7 X 305MM RECTANGULAR (IN AH141142 KEY STOCK KIT) (CUT FROM H150269)
..	.....	SHAFT KEY	1		10 X 8 X 305 MM RECTANGULAR (IN AH141142 KEY STOCK KIT) (CUT FROM H150270)
..	.....	SHAFT KEY	1		12 X 8 X 305MM RECTANGULAR (IN AH141142 KEY STOCK KIT) (CUT FROM H150271)
..	.....	SHAFT KEY	1		14 X 8 X 305MM RECTANGULAR (IN AH141142 KEY STOCK KIT) (CUT FROM H150272)
..	AH141142	SHAFT KEY	1		

MEMORANDA

# 6C6

RESIDUE DISPOSAL

STRAW SPREADER  
HP6509 -UN-15JUL96



HP6509



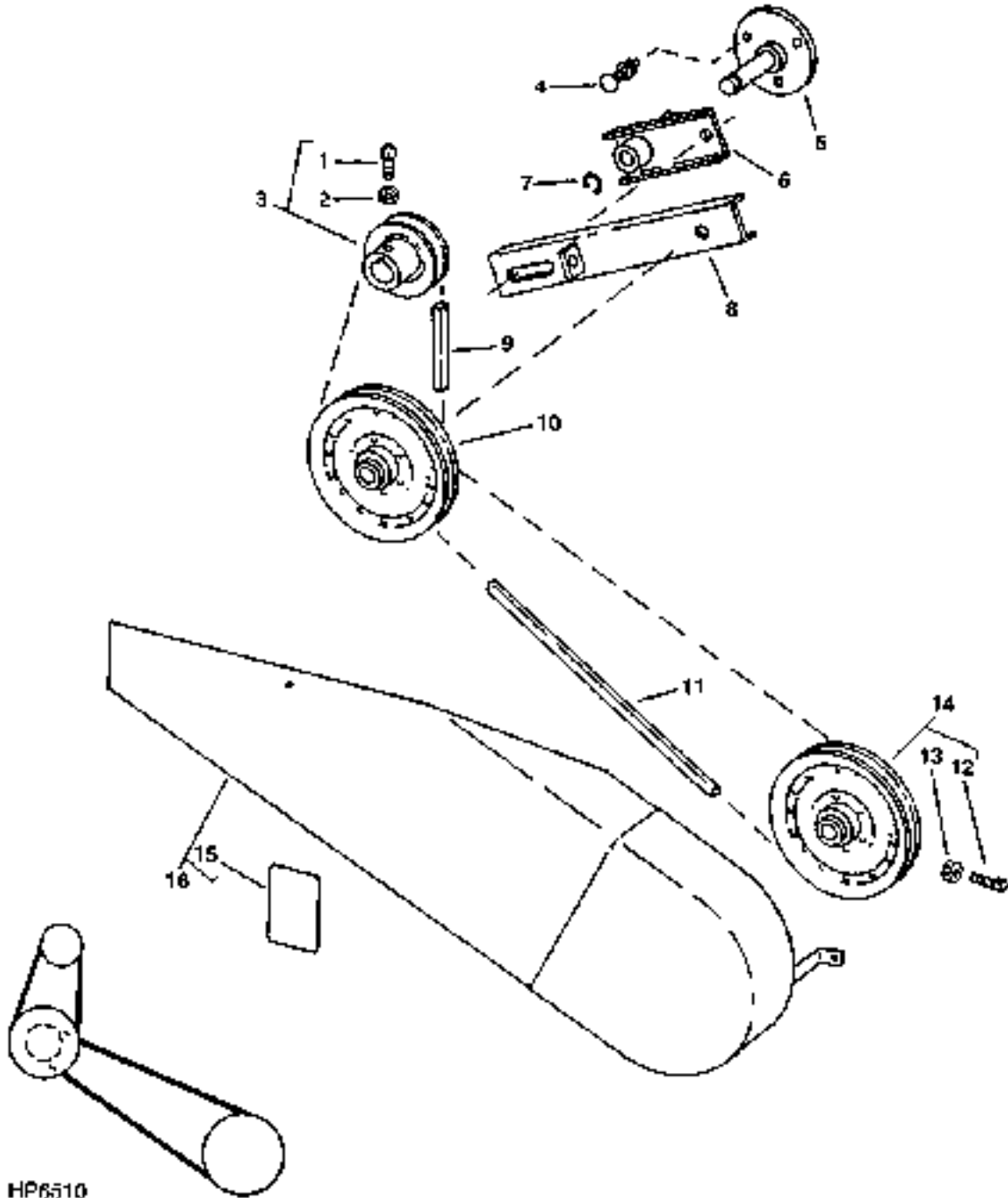
# 6C7

RESIDUE DISPOSAL

**STRAW SPREADER - CONTINUED**

KEY	PART NO.	PART NAME	QTY	SERIAL NO.	REMARKS
1	24M7238	WASHER	10		
2	P44439	PRESSED FLANGED HOUSING	14		8.700 X 17 X 2 MM
3	JD8665	BALL BEARING	1		
4	H141000	BRACKET	1		
5	03M7184	BOLT	20		M8 X 20
	14M7298	FLANGE NUT	20		M8
6	.....	SET SCREW	1		1/4"-20 X 1/4"
7	JD8554	ECCENTRIC LOCKING COLLAR	4		
8	H91228	GEAR	2		
9	19M7572	CAP SCREW	2		M10 X 45
	14M7296	FLANGE NUT	2		M10
10	H145112	CLAMP	2		
11	AH139115	KIT	1		(CONTAINS H91228 AND H91796)
12	24H1433	WASHER	2		29/32" X 2-1/4" X 1/4"
13	JD9442	BALL BEARING	4		
14	JD8563	ECCENTRIC LOCKING COLLAR	4		
15	H145919	SUPPORT	1		
16	AH131166	SUPPORT	2		
17	25H1182	GROOVE PIN	2		
18	H135494	PIN	2		
19	19M8318	SCREW	2		M8 X 45
	14M7396	LOCK NUT	2		M8
20	37M7058	SCREW	6		M8 X 20
21	H83795	GUARD	2		
22	AH141184	CAP	2		
23	H76933	BLADE	8		
24	19M7322	CAP SCREW	16		M8 X 35
	14M7396	LOCK NUT	16		M8
25	24M7207	WASHER	16		8.400 X 24 X 2 MM
26	14M7274	NUT	2		M10
27	H138435	SET SCREW	2		M10 X 25
28	AH137261	SHEAVE	1		
29	H64374	SHAFT KEY	3		(SUB FOR M15973)
30	H143852	SHAFT	1		
31	H141161	BRACKET	1		
32	H128234	BELT	1		
33	19M7784	SCREW	4		M10 X 20
	14M7296	FLANGE NUT	4		M10
..	<b>BH80117</b>	<b>COMPLETE GOODS/SHIP. BUNDLE</b>	<b>1</b>		<b>SPREADER W/DRIVES</b>
..	<b>BH79677</b>	<b>COMPLETE GOODS/SHIP. BUNDLE</b>	<b>1</b>		<b>STRAW SPREADER</b>

**STRAW SPREADER DRIVES**  
HP6510 -UN-15JUL96



HP6510

# 6C9

RESIDUE DISPOSAL

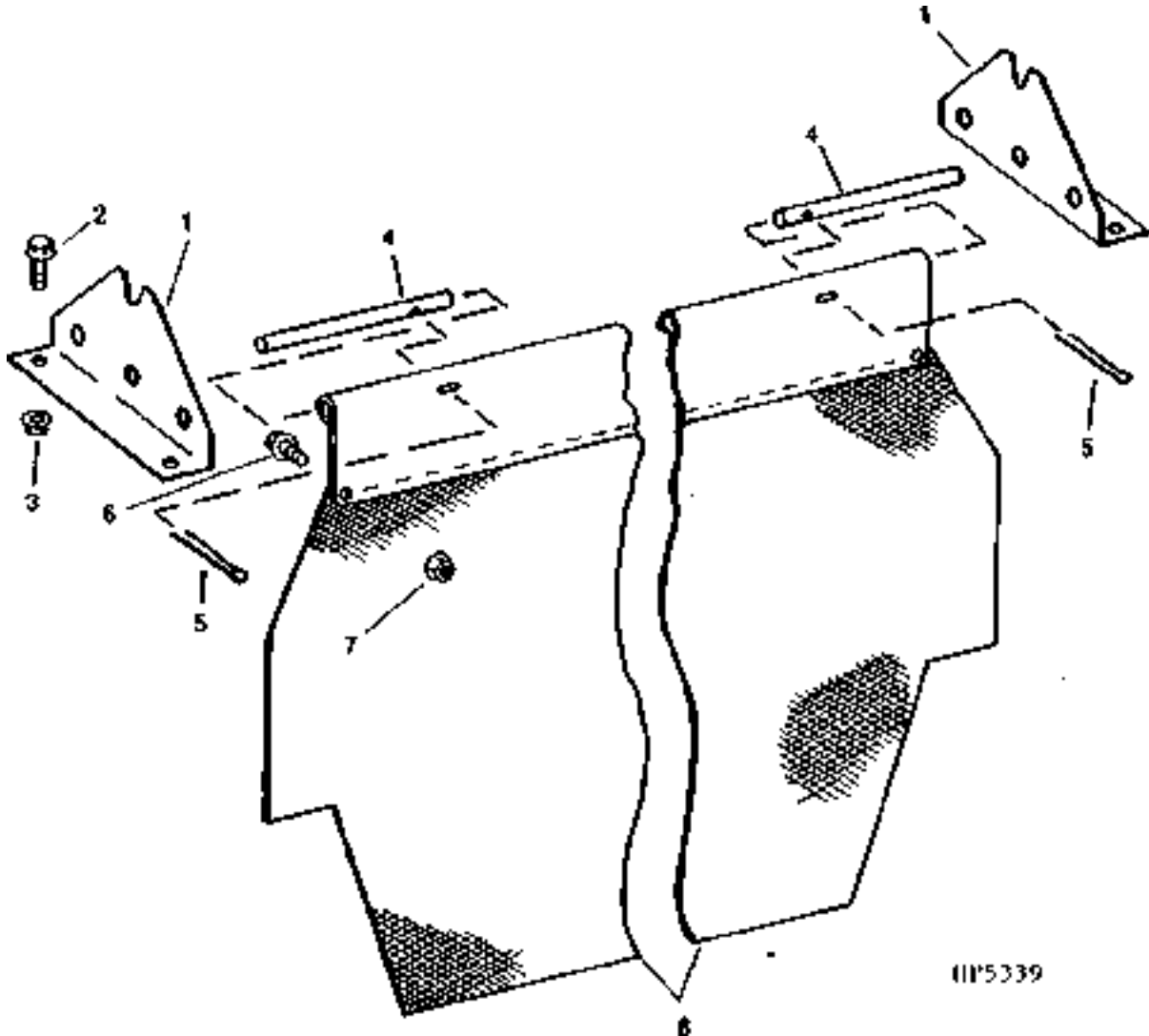
## STRAW SPREADER DRIVES - CONTINUED

KEY	PART NO.	PART NAME	QTY	SERIAL NO.	REMARKS
1	H138435	SET SCREW	2	M10 X 25	
2	14M7274	NUT	2	M10	
3	AH137260	SHEAVE	2		
4	03M7191	BOLT	3		
	14M7296	FLANGE NUT	3		
5	AH134593	PIVOT	1		
6	AH138746	CHANNEL	1		
7	P46402	SNAP RING	1		
8	AH139982	ARM	1		
9	E61326	BELT	1		
10	AH137393	SHEAVE	1		
11	H145528	BELT	1		
12	H138435	SET SCREW	1		
13	14M7274	NUT	1	M10	
14	AH137261	SHEAVE	1		
15	H149096	LABEL	1		(SUB FOR H138989) "PROJECTILE WARNING" ON R.H. REAR HOOD
16	AH147698	SHIELD	1		(SUB FOR AH139981)

# 6C10

RESIDUE DISPOSAL

UPPER SPREADER CURTAIN  
HP5339 -UN-01JAN94



# 6C11

RESIDUE DISPOSAL

## UPPER SPREADER CURTAIN - CONTINUED

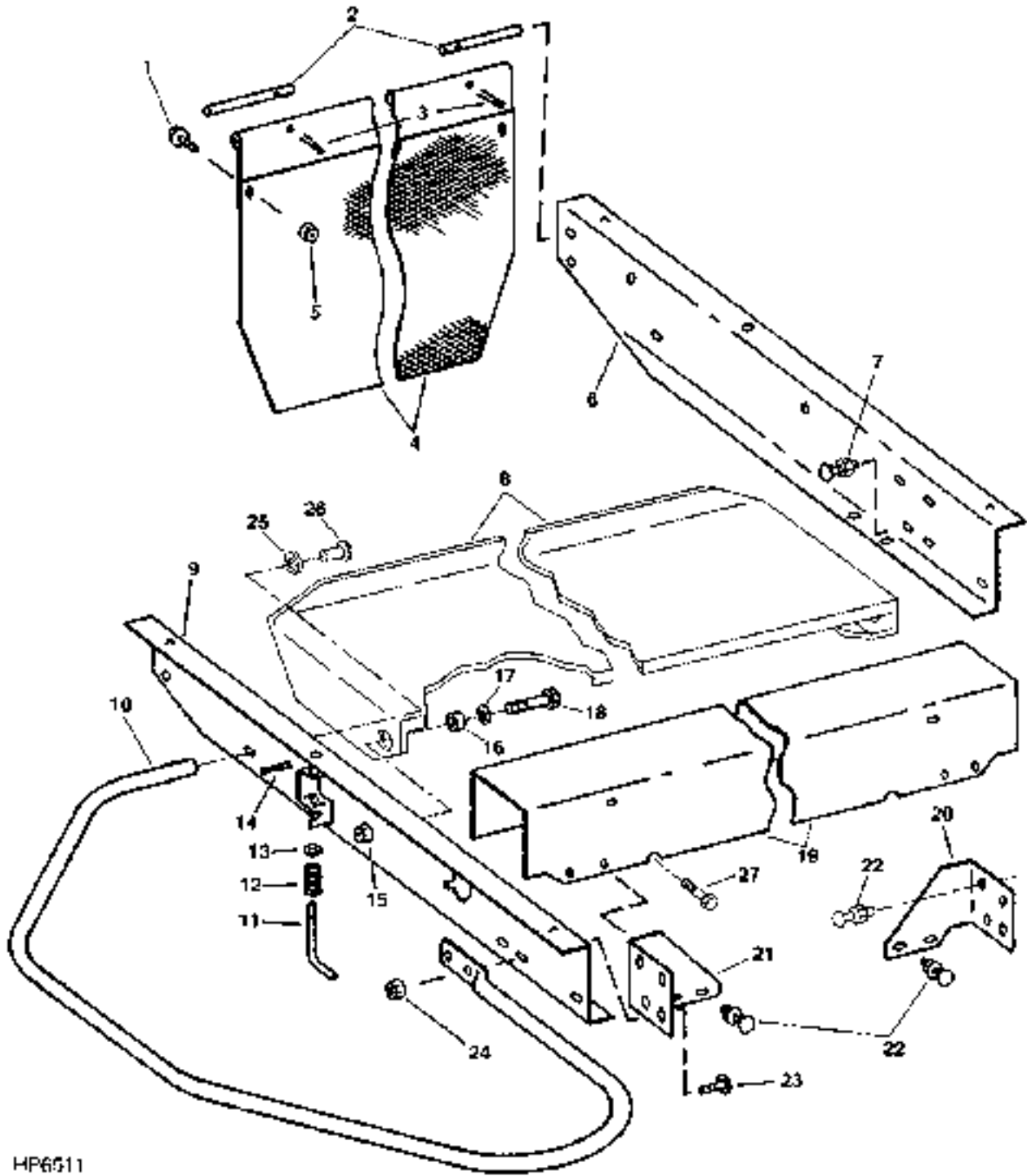
KEY	PART NO.	PART NAME	QTY	SERIAL NO.	REMARKS
1	H147073	BRACKET	2		
2	19M7866	SCREW	4	M8 X 20	
3	14M7298	FLANGE NUT	4	M8	
4	H131865	PIN	2		
5	11M7086	COTTER PIN	2	2.500 X 50 MM	
6	19M7865	SCREW	2	M8 X 16	
7	14M7298	FLANGE NUT	2	M8	
8	AH140051	LIMIT CURTAIN	1		
..	<b>BH80117</b>	<b>COMPLETE GOODS/SHIP. BUNDLE</b>	<b>1</b>	<b>CHAFF SPREADER W/FOUR WHEEL DRIVE</b>	

# 6C12

RESIDUE DISPOSAL

## STRAW SPREADER FRAME AND LOWER CURTAIN

HP6511 -UN-15JUL96



HP6511

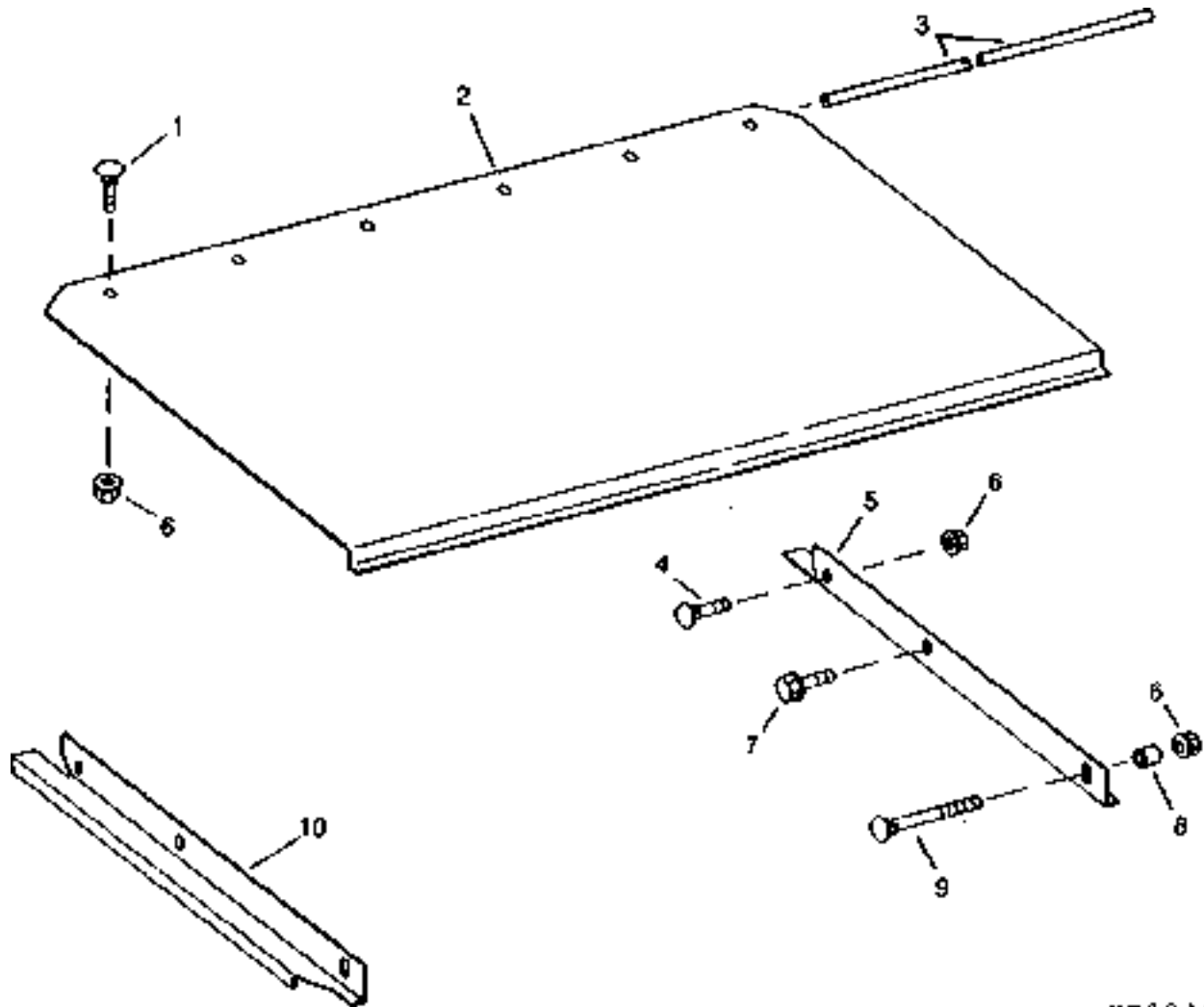
## STRAW SPREADER FRAME AND LOWER CURTAIN - CONTINUED

KEY	PART NO.	PART NAME	QTY	SERIAL NO.	REMARKS
1	19M7865	SCREW	2		
2	H131865	PIN	2		
3	11M7086	COTTER PIN	2		
4	AH135658	LIMIT CURTAIN	1		
5	14M7298	FLANGE NUT	2		M8
6	AH141355	PLATE	1		
7	03M7188	BOLT	2		M8 X 40
	14M7298	FLANGE NUT	2		M8
8	AH141216	PLATFORM	1		
9	AH141356	PLATE	1		
10	AH137688	GUARD	2		
11	H136179	PIN	2		
12	B28970	SPRING	2		
13	24H1341	WASHER	2		17/32" X 15/16" X 0.060"
14	11M7059	COTTER PIN	2		
15	14M7299	FLANGE NUT	2		M12
16	M40613	BUSHING	2		
17	24M7180	WASHER	2		
18	19M7791	SCREW	2		
19	H145922	CHANNEL	1		
20	H145920	BRACE	1		
21	H145921	BRACE	1		
22	03M7184	BOLT	8		M8 X 20
	14M7298	FLANGE NUT	8		M8
23	03M7185	BOLT	4		M8 X 25
24	14M7298	FLANGE NUT	6		M8
25	24M7180	WASHER	2		
26	19H1792	CAP SCREW	2		1/2" X 1"
27	37M7058	SCREW	6		
..	<b>BH80117</b>	<b>COMPLETE GOODS/SHIP. BUNDLE</b>	<b>1</b>		<b>CHAFF SPREADER W/FOUR WHEEL DRIVE</b>

# 6C14

RESIDUE DISPOSAL

STRAW SPREADER DOOR  
HP5346 -UN-01JAN94



HP5346



# 6C15

RESIDUE DISPOSAL

**STRAW SPREADER DOOR - CONTINUED**

KEY	PART NO.	PART NAME	QTY	SERIAL NO.	REMARKS
1	03M7191	BOLT	6		
2	AH139989	DOOR	1		M10 X 25
3	H143679	PIN	1		
4	03M7185	BOLT	2		M8 X 25
5	H146049	SUPPORT	1		R.H.
6	14M7298	FLANGE NUT	10		M8
7	19M7866	SCREW	2		
8	28H1635	SPACER	2		0.493" X 0.675" X 2-1/8"
9	03M7267	BOLT	2		M8 X 80
10	H146048	SUPPORT	1		L.H.
..	<b>BH80117</b>	<b>COMPLETE GOODS/SHIP. BUNDLE</b>	<b>1</b>		<b>CHAFF SPREADER W/FOUR WHEEL DRIVE</b>

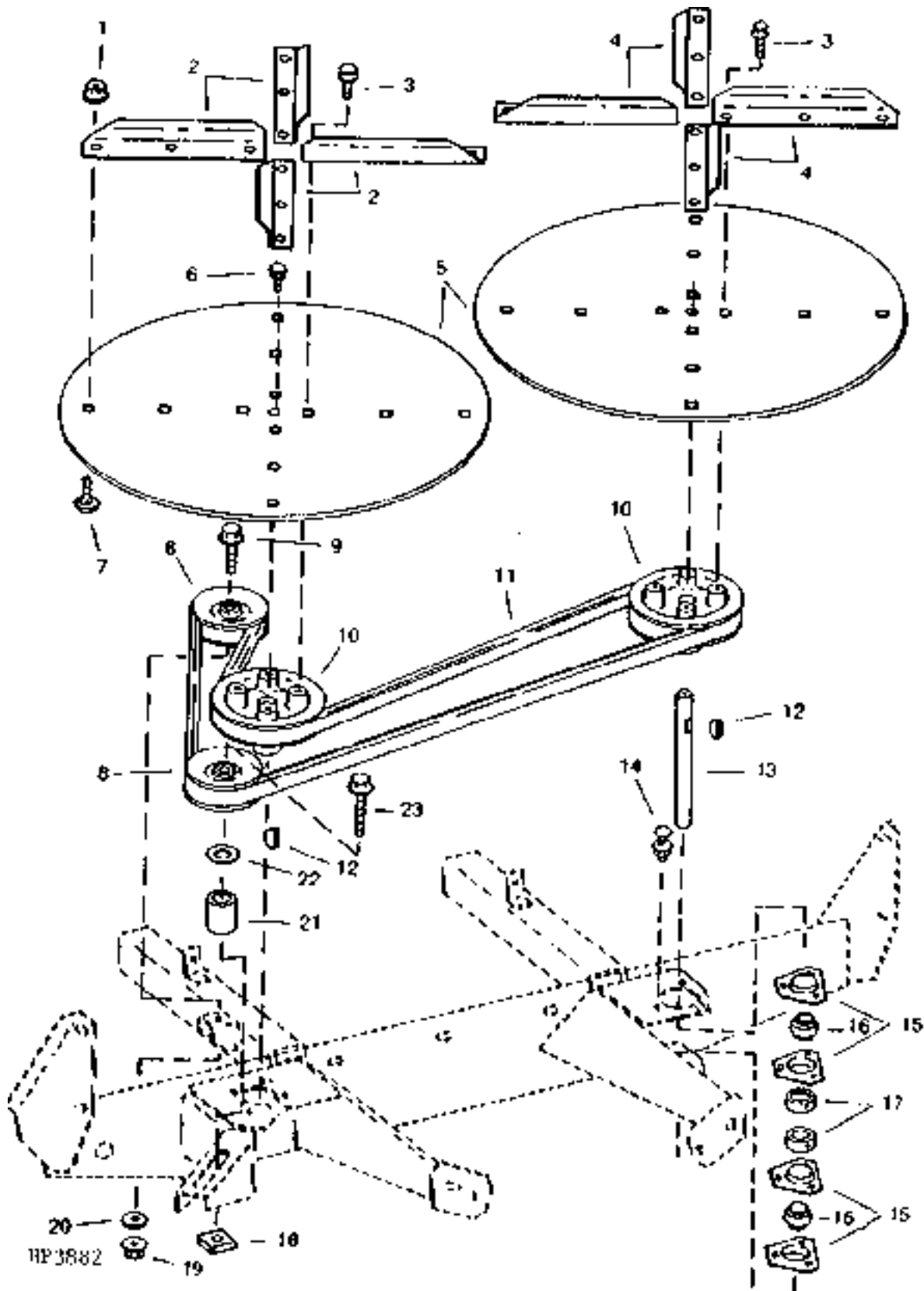
# 6C16

RESIDUE DISPOSAL

## CHAFF SPREADER DISC (BELT TYPE)

(-650400)

HP3882 -UN-01JAN94



# 6C17

RESIDUE DISPOSAL

**CHAFF SPREADER DISC (BELT TYPE) - CONTINUED**  
( -650400)

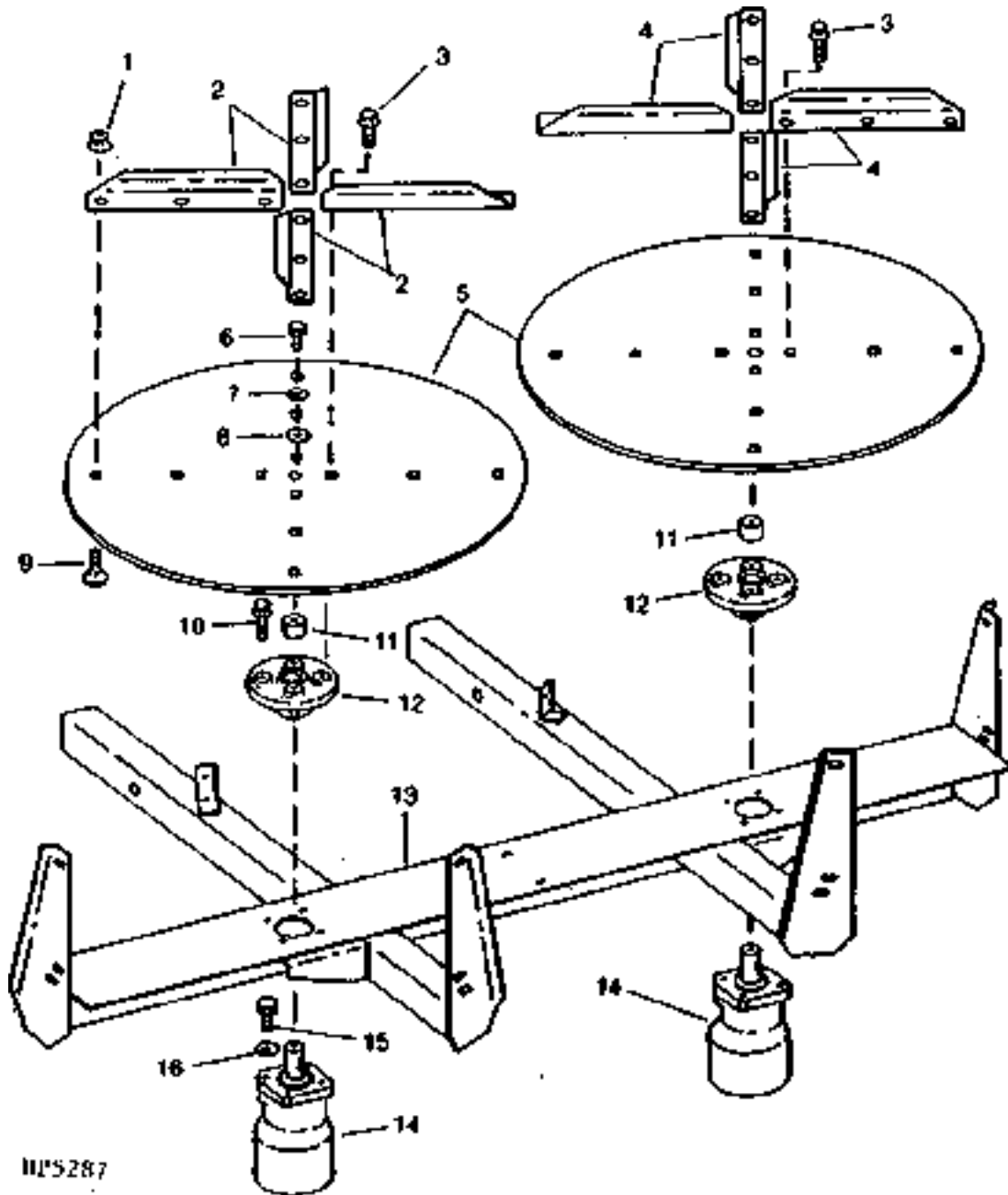
KEY	PART NO.	PART NAME	QTY	SERIAL NO.	REMARKS
1	14M7396	LOCK NUT	16	M8	
2	H140162	ANGLE	4		
3	19M7865	SCREW	8	M8 X 16	
4	H140161	ANGLE	4		
5	H136257	DISK	2		
6	19M7867	SCREW	1	M8 X 25	
7	03M7184	BOLT	16	M8 X 20	
8	AH134444	SHEAVE	2		
9	19M8112	SCREW	1	M12 X 55	
10	H139670	SHEAVE	2		
11	M95728	BELT	1		
12	26H22	SHAFT KEY	2		
13	H138303	SHAFT	1		
14	03M7184	BOLT	3	M8 X 20	
	14M7298	FLANGE NUT	3	M8	
15	H103264	PRESSED FLANGED HOUSING	4		
16	JD9273	BALL BEARING	2		
17	JD8554	ECCENTRIC LOCKING COLLAR	2		
18	H130957	NUT	1	M12	
19	14M7299	FLANGE NUT	1	M12	
20	24H1790	WASHER	1	17/32" X 1-1/2" X 0.164"	
21	28H3315	BUSHING	1		
22	24M7047	WASHER	1	13 X 24 X 2.500 MM	
23	19M7819	SCREW	1	M12 X 90	

# 6C18

RESIDUE DISPOSAL

## CHAFF SPREADER DISC (DUAL MOTOR) AND FRAME

(650401- )  
HP5287 -UN-01JAN94



HP5287

# 6C19

RESIDUE DISPOSAL

**CHAFF SPREADER DISC (DUAL MOTOR) AND FRAME - CONTINUED**  
(650401- )

KEY	PART NO.	PART NAME	QTY	SERIAL NO.	REMARKS
1	14M7396	LOCK NUT	16	M8	
2	H140162	ANGLE	4		
3	19M7865	SCREW	8	M8 X 16	
4	H140161	ANGLE	4		
5	H136257	DISK	2		
6	19H1898	CAP SCREW	2	1/4" X 1-1/2"	
7	12H302	LOCK WASHER	2	1/4"	
8	24H1287	WASHER	2	9/32" X 5/8" X 0.065"	
9	03M7184	BOLT	16	M8 X 20	
10	19M7865	SCREW	8	M8 X 16	
11	H123918	SPACER	2		
12	H143955	HUB	2		
13	AH137752	FRAME	1		
14	AH141858	MOTOR	2	(SUB FOR AH127887)	
15	19H1731	CAP SCREW	8	3/8" X 1"	
16	12H304	LOCK WASHER	8	3/8"	

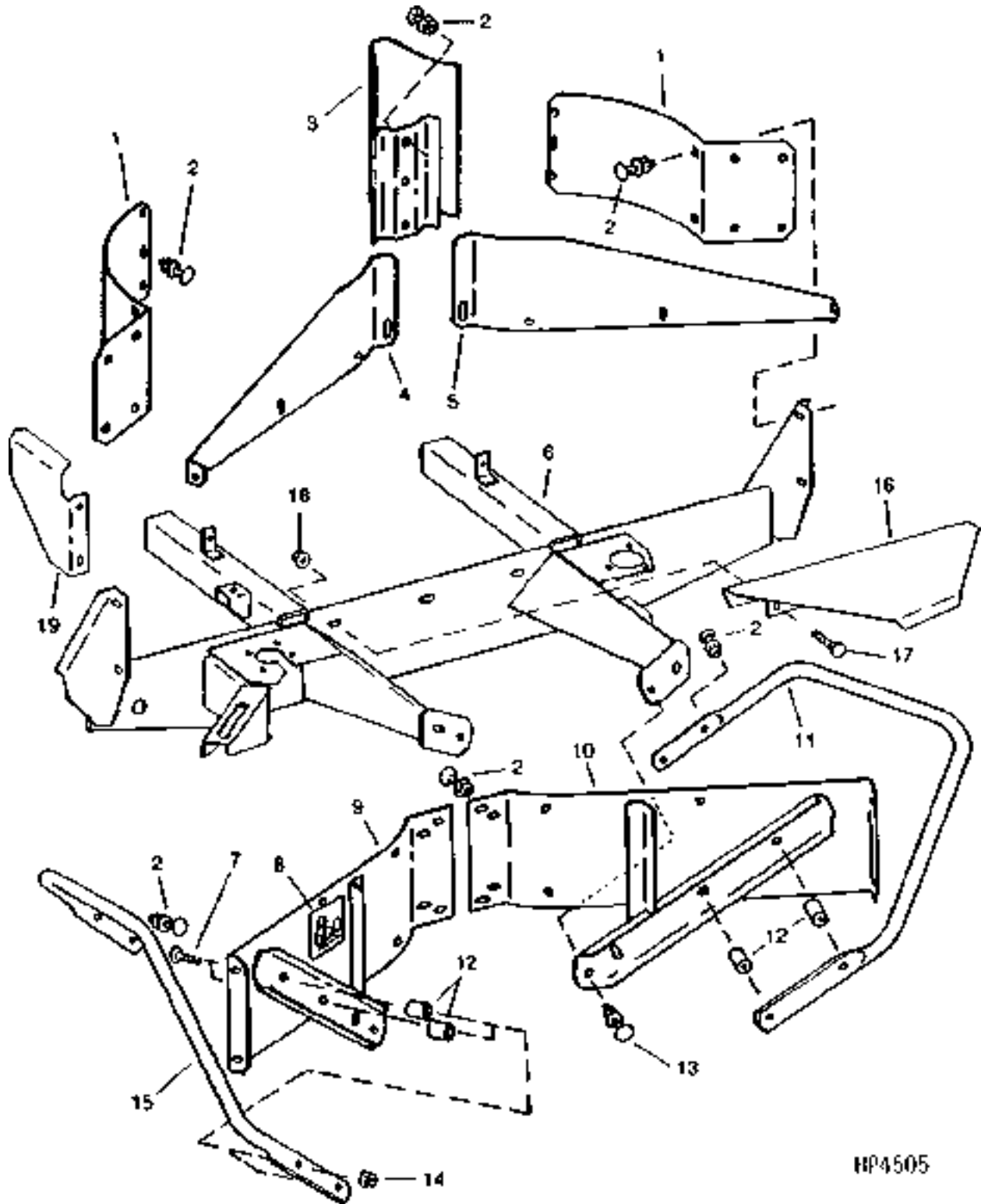
# 6C20

RESIDUE DISPOSAL

## CHAFF SPREADER (BELT TYPE) FRAME, SHIELDS AND HANDLES

(-650400)

HP4505 -UN-01JAN94



HP4505

# 6C21

RESIDUE DISPOSAL

**CHAFF SPREADER (BELT TYPE) FRAME, SHIELDS AND HANDLES - CONTINUED**

( -650400)

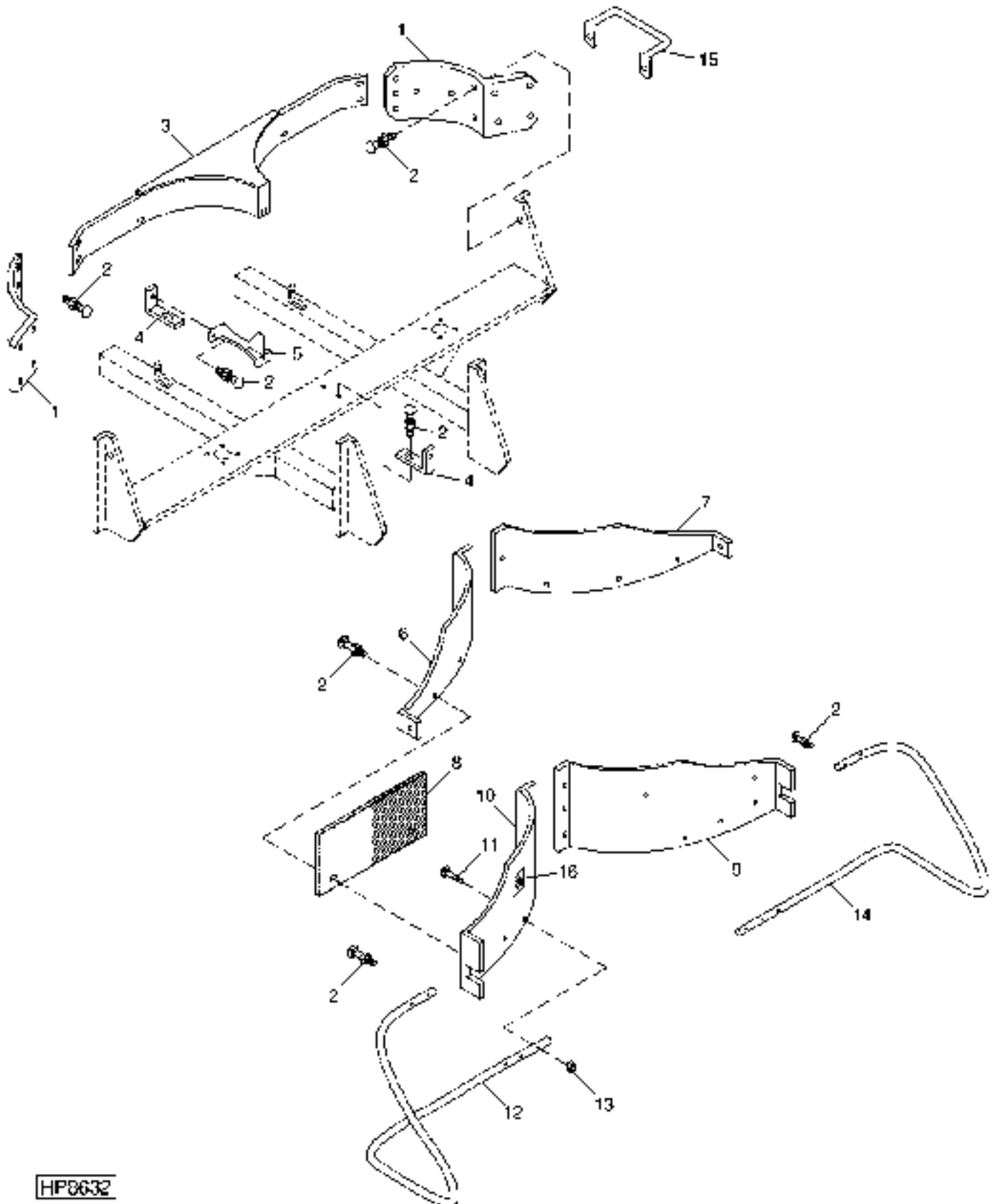
KEY	PART NO.	PART NAME	QTY	SERIAL NO.	REMARKS
1	H136280	SHIELD	2		
2	03M7184	BOLT	21	M8 X 20	
	14M7298	FLANGE NUT	21	M8	
3	AH135498	PARTITION	1		
4	H141107	SHIELD	1		
5	H141106	SHIELD	1		
6	AH134558	SUPPORT	1		
7	03M7223	BOLT	4	M8 X 60	
8	H139988	LABEL	1		
9	AH134580	SHIELD	1		
10	AH134579	SHIELD	1		
11	H143743	TUBE	1		
12	28H1633	BUSHING	4		
13	19M7866	SCREW	4	M8 X 20	
	14M7298	FLANGE NUT	4	M8	
14	14M7298	FLANGE NUT	4	M8	
15	H143744	TUBE	1		
16	H141108	SHIELD	1		
17	03M7183	BOLT	3	M8 X 16	
18	14M7298	FLANGE NUT	3	M8	
19	H143762	SHIELD	1	-650235	REPLACED BY 19M7989 (M10 X 130) BOLT

# 6C22

RESIDUE DISPOSAL

## CHAFF SPREADER (DUAL MOTOR) SHIELDS AND HANDLES

(650401- )  
HP8632 -UN-23JUL99



HP8632



# 6C23

RESIDUE DISPOSAL

**CHAFF SPREADER (DUAL MOTOR) SHIELDS AND HANDLES - CONTINUED**  
(650401- )

KEY	PART NO.	PART NAME	QTY	SERIAL NO.	REMARKS
1	H146011	SHIELD	2		
2	03M7184	BOLT	21	M8 X 20	
	14M7298	FLANGE NUT	21	M8	
3	AH137753	SHIELD	1		
4	H143948	BRACKET	2		
5	AH141652	DUST SHIELD	1		
6	H145096	SHIELD	1		
7	H145095	SHIELD	1		
8	H148107	DUST SHIELD	1		
9	H143950	SHIELD	1		
10	H143949	SHIELD	1		
11	03M7223	BOLT	6	M8 X 60	
12	H143952	TUBE	1		
13	14M7298	FLANGE NUT	6	M8	
14	H143951	TUBE	1		
15	M112639	STOP	2		
16	H139988	LABEL	1		

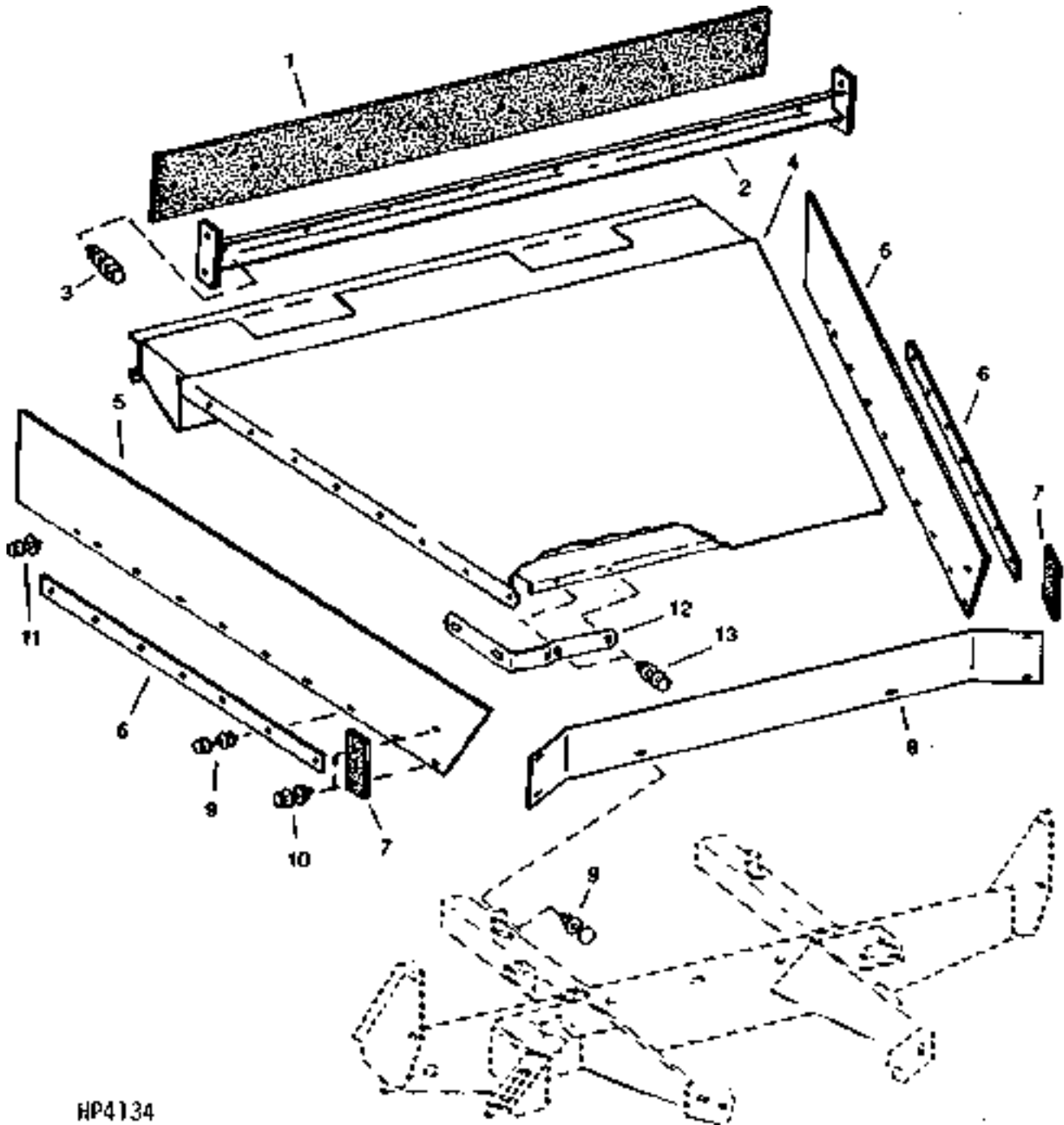
# 6C24

RESIDUE DISPOSAL

## CHAFF SPREADER (BELT TYPE) PAN AND SEALS

(-650400)

HP4134 -UN-01JAN94



HP4134

# 6C25

RESIDUE DISPOSAL

**CHAFF SPREADER (BELT TYPE) PAN AND SEALS - CONTINUED**

( -650400)

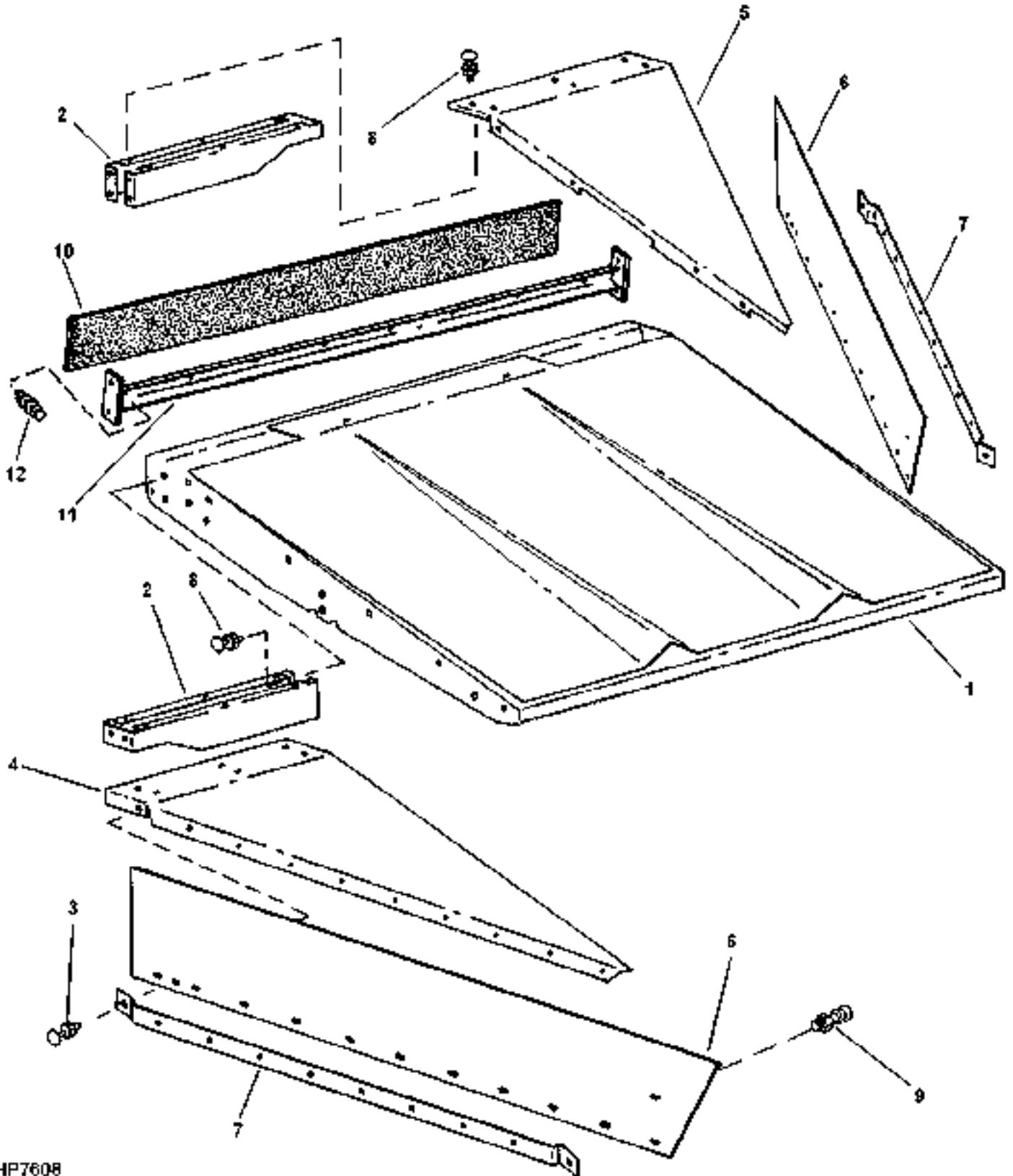
KEY	PART NO.	PART NAME	QTY	SERIAL NO.	REMARKS
1	H135844	FLAP	1		
2	AH132361	CROSSBAR	1		
3	19M7863	SCREW	8	M6 X 25	
	24M7207	WASHER	8	8.400 X 24 X 2 MM	
	14M7303	FLANGE NUT	8	M6	
4	AH137975	FRAME	1	(SUB FOR AH141042)	
5	H136300	SEAL	2		
6	H136299	REINFORCEMENT	2		
7	H139006	STRAP	2		
8	H136279	SHIELD	1		
9	19M7866	SCREW	18	M8 X 20	
	14M7298	FLANGE NUT	18	M8	
10	19M7867	SCREW	4	M8 X 25	
	14M7298	FLANGE NUT	4	M8	
	24H1294	WASHER	4	11/32" X 1-1/8" X 1/16"	
	24H1790	WASHER	4	17/32" X 1-1/2" X 0.164"	
11	19M7867	SCREW	4	M8 X 25	
	24H1294	WASHER	4	11/32" X 1-1/8" X 1/16"	
12	H143714	STRAP	2		
13	19M7866	SCREW	4	M8 X 20	
	14M7298	FLANGE NUT	4	M8	

# 6D1

RESIDUE DISPOSAL

## CHAFF SPREADER (DUAL MOTOR) PAN, WINGS AND SEALS

(650401- )  
HP7608 -UN-31AUG98



HP7608

# 6D2

RESIDUE DISPOSAL

**CHAFF SPREADER (DUAL MOTOR) PAN, WINGS AND SEALS - CONTINUED**  
(650401- )

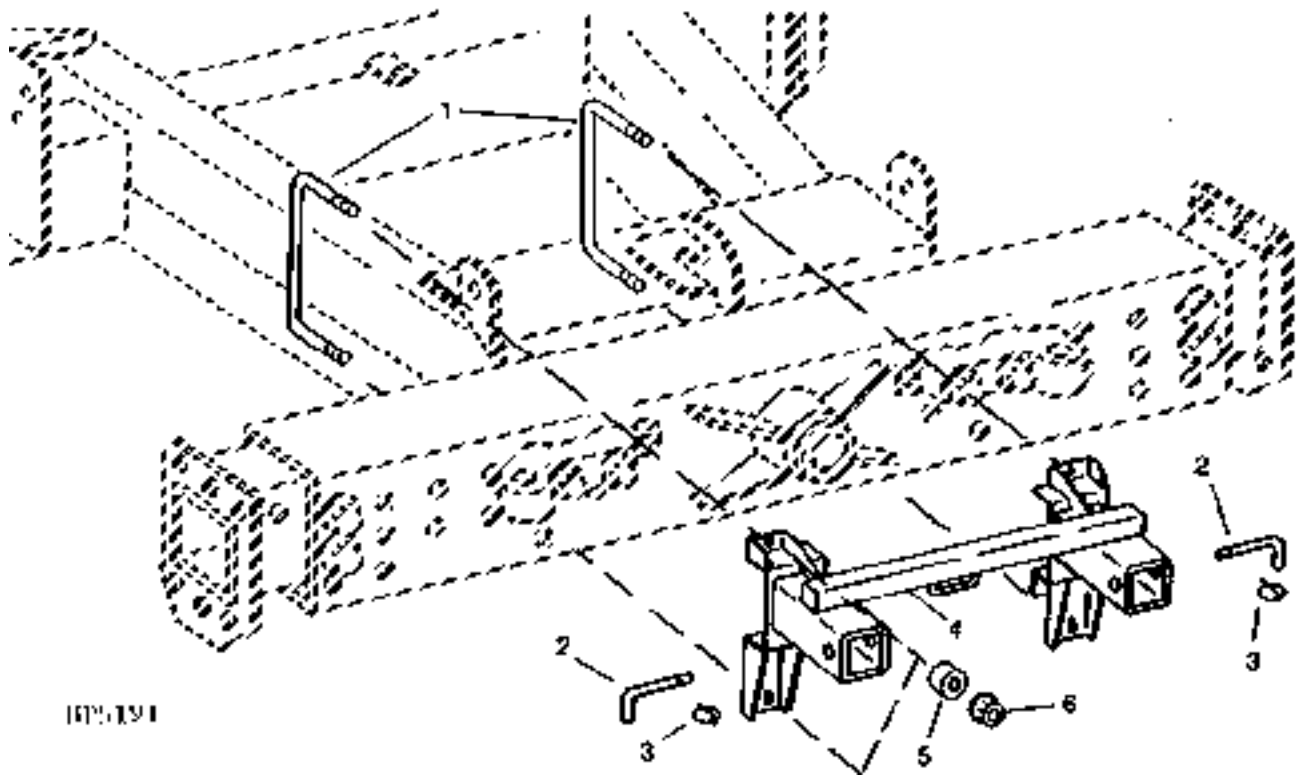
KEY	PART NO.	PART NAME	QTY	SERIAL NO.	REMARKS
1	AH137975	FRAME	1		
2	H144161	SUPPORT	2		
3	03M7184	BOLT	20	29SEP8-	M8 X 20
	14M7396	LOCK NUT	20	29SEP8-	M8
4	H144157	SHEET	1		
5	H144158	SHEET	1		
6	H148025	DEFLECTOR	2		
7	H144163	STRAP	2		
8	03M7184	BOLT	28	29SEP8-	M8 X 20
	14M7298	FLANGE NUT	28	29SEP8-	M8
9	03M7184	BOLT	2	29SEP8-	M8 X 20
	24M7207	WASHER	2	29SEP8-	8.400 X 24 X 2 MM
	14M7396	LOCK NUT	2	29SEP8-	M8
10	H135844	FLAP	1	29SEP8-	
11	AH132361	CROSSBAR	1	29SEP8-	
12	19M7863	SCREW	9	29SEP8-	M6 X 25
	24M7207	WASHER	9	29SEP8-	8.400 X 24 X 2 MM
	14M7303	FLANGE NUT	9	29SEP8-	M6
..	<b>BH79815</b>	<b>COMPLETE GOODS/SHIP. BUNDLE</b>	<b>1</b>		<b>CHAFF PAN WING AND EXTERNAL BUNDLE</b>

# 6D3

RESIDUE DISPOSAL

## CHAFF SPREADER MOUNTING SUPPORT

HP5191 -UN-01JAN94



# 6D4

RESIDUE DISPOSAL

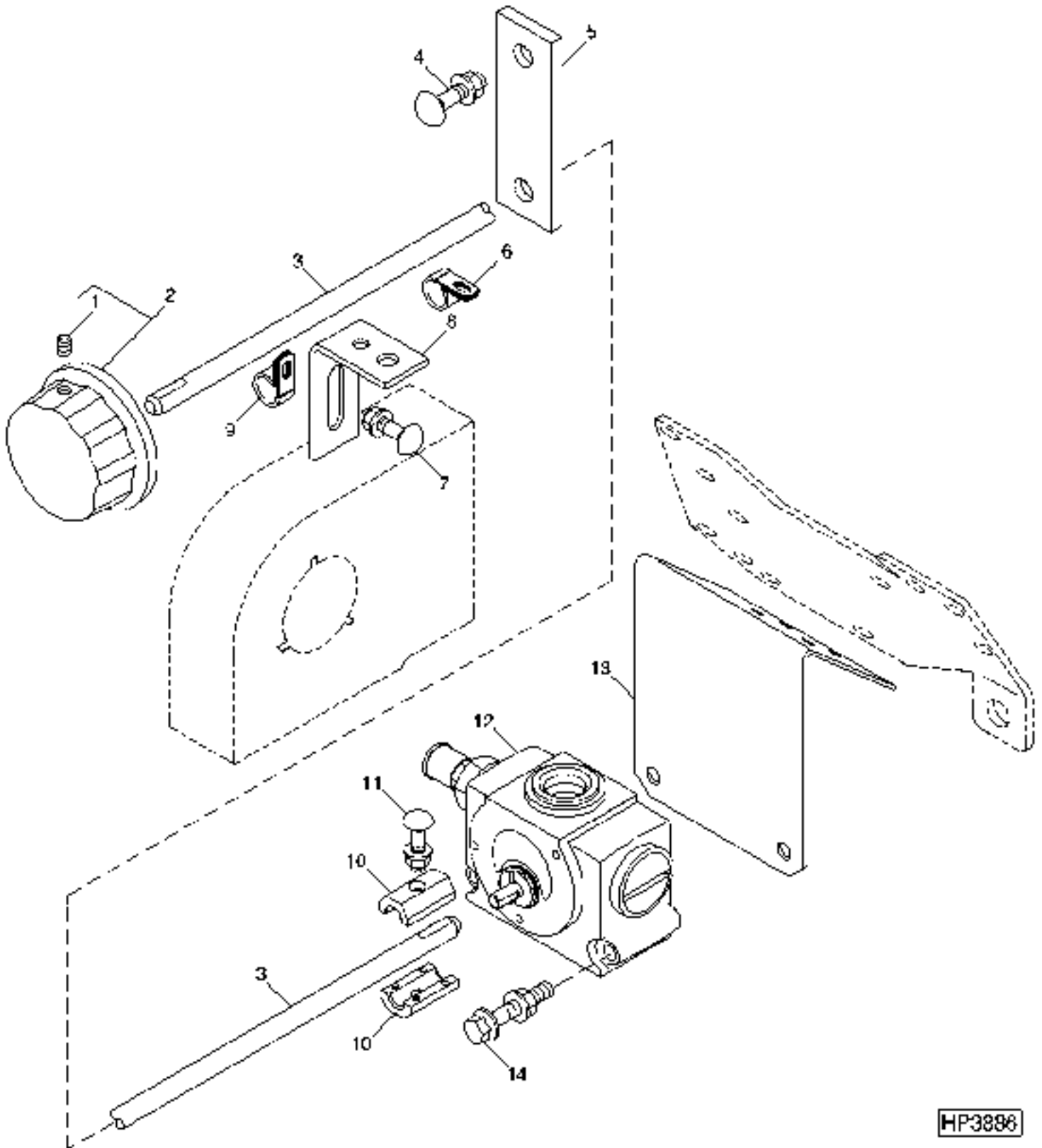
## CHAFF SPREADER MOUNTING SUPPORT - CONTINUED

KEY	PART NO.	PART NAME	QTY	SERIAL NO.	REMARKS
1	H164605	CHANNEL	2	-650400	(SUB FOR H136263)
	H148202	U-BOLT	2	650401-	
2	H139005	PIN	2		
3	M72598	QUICK LOCK PIN	2		
4	AH132759	SUPPORT	1	-650400	
	AH137751	SUPPORT	1	650401-	
5	N61709	BUSHING	4	650401-15SEP7	
6	14M7299	FLANGE NUT	4		M12
7	19M7822	SCREW	2	15SEP7-	M12 X 160

# 6D5

RESIDUE DISPOSAL

CHAFF SPREADER CONTROL, CHECK VALVE, ROD AND KNOB  
HP3886 -UN-24AUG99



HP3886



# 6D6

RESIDUE DISPOSAL

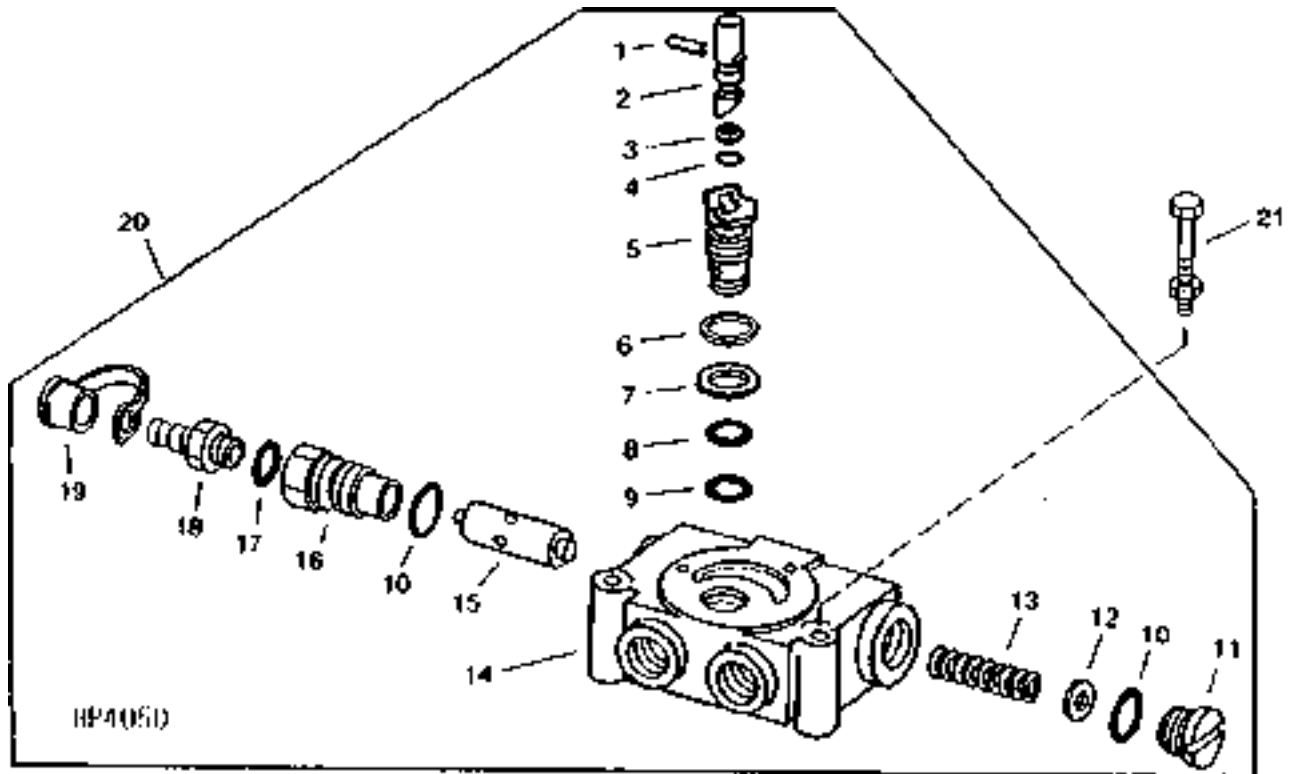
**CHAFF SPREADER CONTROL, CHECK VALVE, ROD AND KNOB - CONTINUED**

KEY	PART NO.	PART NAME	QTY	SERIAL NO.	REMARKS
1	.....	SET SCREW	2		
2	AH132988	KNOB	1		
3	H144896	PIN	1		
4	37M7183	SCREW	1		
	14M7298	FLANGE NUT	1	M8	
5	H139006	STRAP	1		
6	AH11015	CLIP	1		
7	03M7184	BOLT	1	M8 X 20	
	14M7298	FLANGE NUT	1	M8	
8	H137866	BRACKET	1		
9	AH76882	CLIP	1	-6OCT97	
10	H114020	HALF CLAMP	2		
11	19M7775	SCREW	1	M6 X 16	
	14M7303	FLANGE NUT	1	M6	
12	AH140902	CHECK VALVE	1		
13	H137865	BRACKET	1		
14	19M7979	SCREW	2	M8 X 55	
	14M7298	FLANGE NUT	2	M8	

# 6D7

RESIDUE DISPOSAL

REEL DRIVE FLOW CONTROL VALVE  
HP4050 -UN-01JAN94



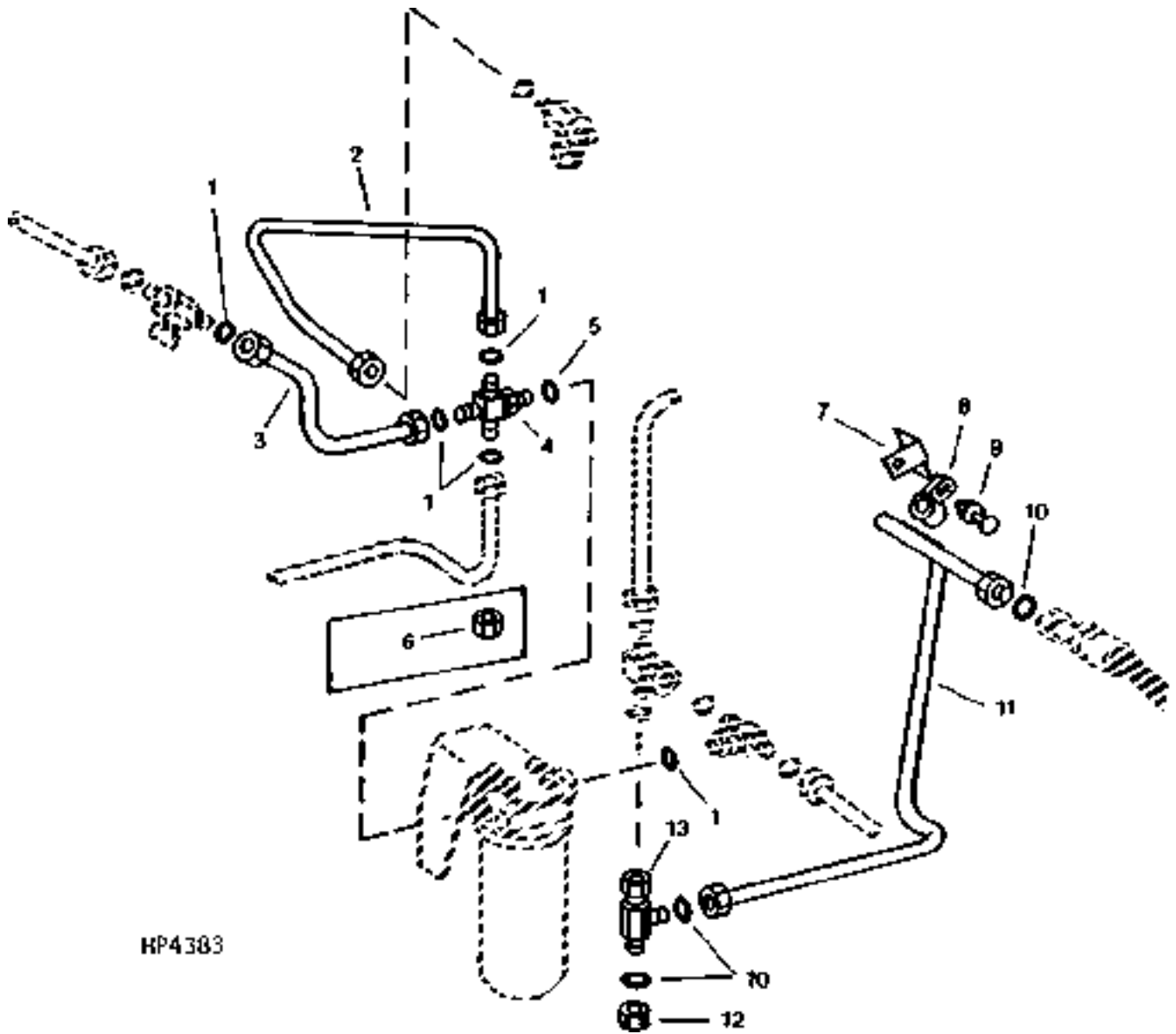
# 6D8

RESIDUE DISPOSAL

## REEL DRIVE FLOW CONTROL VALVE - CONTINUED

KEY	PART NO.	PART NAME	QTY	SERIAL NO.	REMARKS
1	.....	GROOVE PIN	1	(KIT AH140903)	
2	.....	SPOOL	1	(KIT AH140903)	
3	.....	BACK-UP RING	1	(KIT AH136248 OR AH140903)	
4	.....	O-RING	1	(KIT AH136248 OR AH140903)	
5	.....	PLUG	1	(KIT AH140903)	
6	.....	SHIM	AR	(KIT AH140903)	
7	.....	BACK-UP RING	1	(KIT AH136248 OR AH140903)	
8	.....	O-RING	1	(KIT AH136248 OR AH140903)	
9	.....	O-RING	1	(KIT AH136248 OR AH140903)	
10	H63289	O-RING	2		
11	.....	PLUG	1		
12	.....	SHIM	1		
13	.....	SPRING	1		
14	.....	HOUSING	1		
15	.....	VALVE	1		
16	.....	PLUG	1		
17	R26448	O-RING	1		
18	AH125760	HYD. QUICK-CONNECT COUPLER	1		DIAGNOSTIC
19	R77175	COVER	1		
20	AH140902	CHECK VALVE	1		
21	19M7801	SCREW	2		M8 X 60
	14M7298	FLANGE NUT	2		M8
..	AH140903	KIT	1		
..	AH136248	SEAL KIT	1		

**CHAFF SPREADER LINES AND FITTINGS**  
HP4383 -UN-01JAN94



HP4383

# 6D10

RESIDUE DISPOSAL

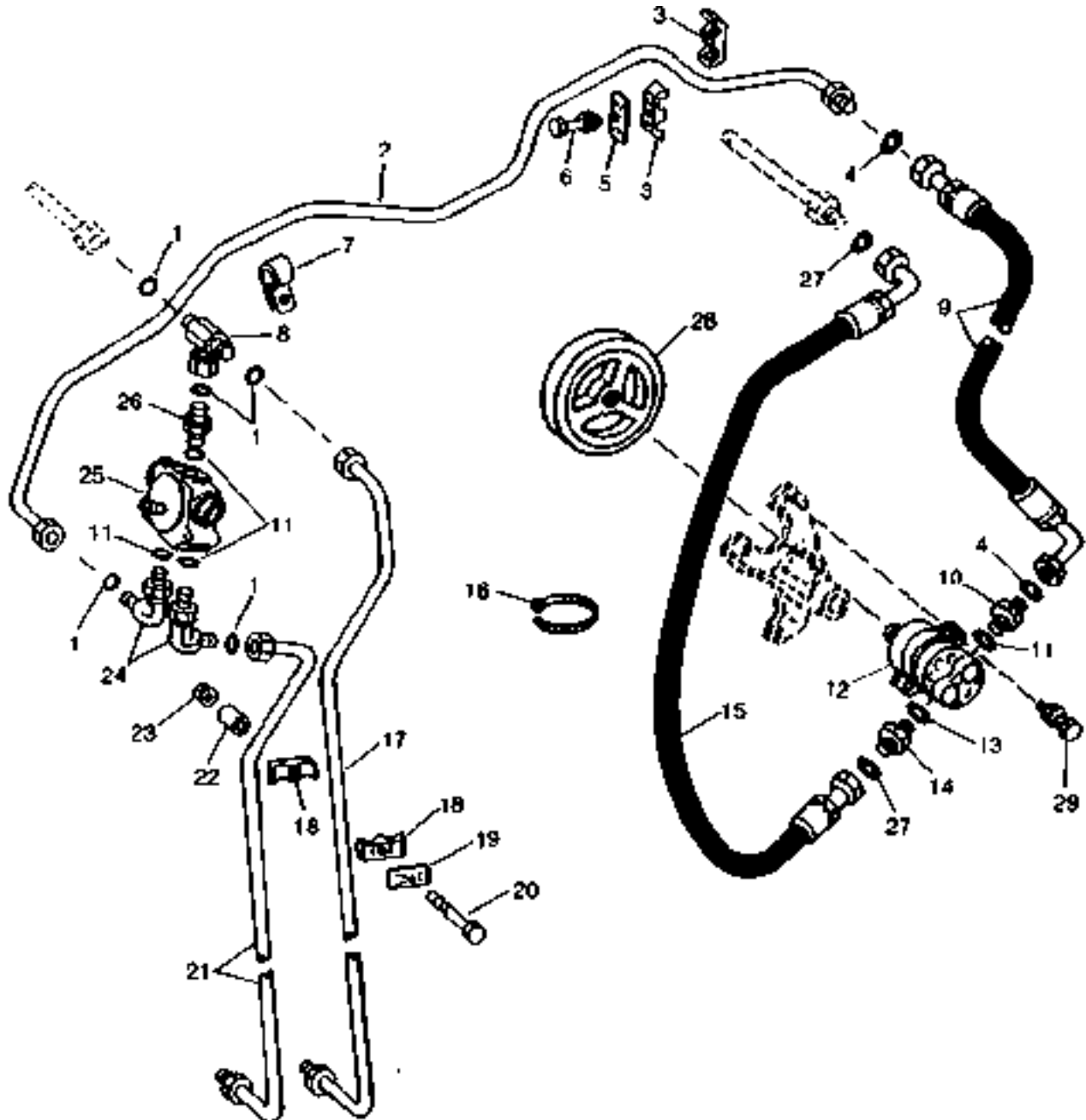
## CHAFF SPREADER LINES AND FITTINGS - CONTINUED

KEY	PART NO.	PART NAME	QTY	SERIAL NO.	REMARKS
1	T77858	O-RING	5		
2	AH133759	OIL LINE	1		
3	AH126169	OIL LINE	1		
4	AH132031	FITTING	1		
5	R29936	O-RING	1		
6	38H1418	FITTING PLUG	1		
7	H139964	BRACKET	1		
8	R72659	CLAMP	1		
9	03M7183	BOLT	1	M8 X 16	
	14M7298	FLANGE NUT	1	M8	
10	T76938	O-RING	3		
11	AH133770	LINE	1		
12	38H1419	FITTING PLUG	1		
13	38H1467	TEE FITTING	1		

# 6D11

RESIDUE DISPOSAL

CHAFF SPREADER LINES, HOSES, VALVE AND PUMP  
HP5903 -UN-26JUL95



HP5903

# 6D12

RESIDUE DISPOSAL

## CHAFF SPREADER LINES, HOSES, VALVE AND PUMP - CONTINUED

KEY	PART NO.	PART NAME	QTY	SERIAL NO.	REMARKS
1	T77932	O-RING	2		
2	AH133758	OIL LINE	1		PRESSURE
3	H120362	CLAMP	2		
4	T77857	O-RING	2		
5	H112567	PLATE	1		
6	19M7801	SCREW	1		M8 X 60
	14M7298	FLANGE NUT	1		M8
7	T27523	CLAMP	1		
8	38H1040	TEE FITTING	1		
9	AH135333	HYDRAULIC HOSE	1		PRESSURE
10	38H1162	ADAPTER	1		
11	R26906	O-RING	1		
12	AH134555	PUMP	1		
13	R29936	O-RING	1		
14	38H1194	ADAPTER	1		
15	AH132200	HYDRAULIC HOSE	1		SUCTION
16	H77698	TIE BAND	1		
17	AH133949	OIL LINE	1		
18	H120847	CLAMP	2		
19	H121168	PLATE	1		
20	19M7873	SCREW	1		M8 X 110
21	AH133948	OIL LINE	1		
22	L3483N	BUSHING	1		
23	14M7298	FLANGE NUT	1		M8, USED W/O 4-WHEEL DRIVE
24	38H1006	ELBOW FITTING	2		
25	AH136202	CHECK VALVE	1		
26	38H1162	ADAPTER	1		SEE REEL DRIVE FLOW CONTROL VALVE FOR PARTS
27	T77858	O-RING	2		18.771 X 1.778 MM (0.739" X 0.070")
28	H140619	SHEAVE	1		
29	19M7835	SCREW	2		M10 X 35
	14M7296	FLANGE NUT	2		M10

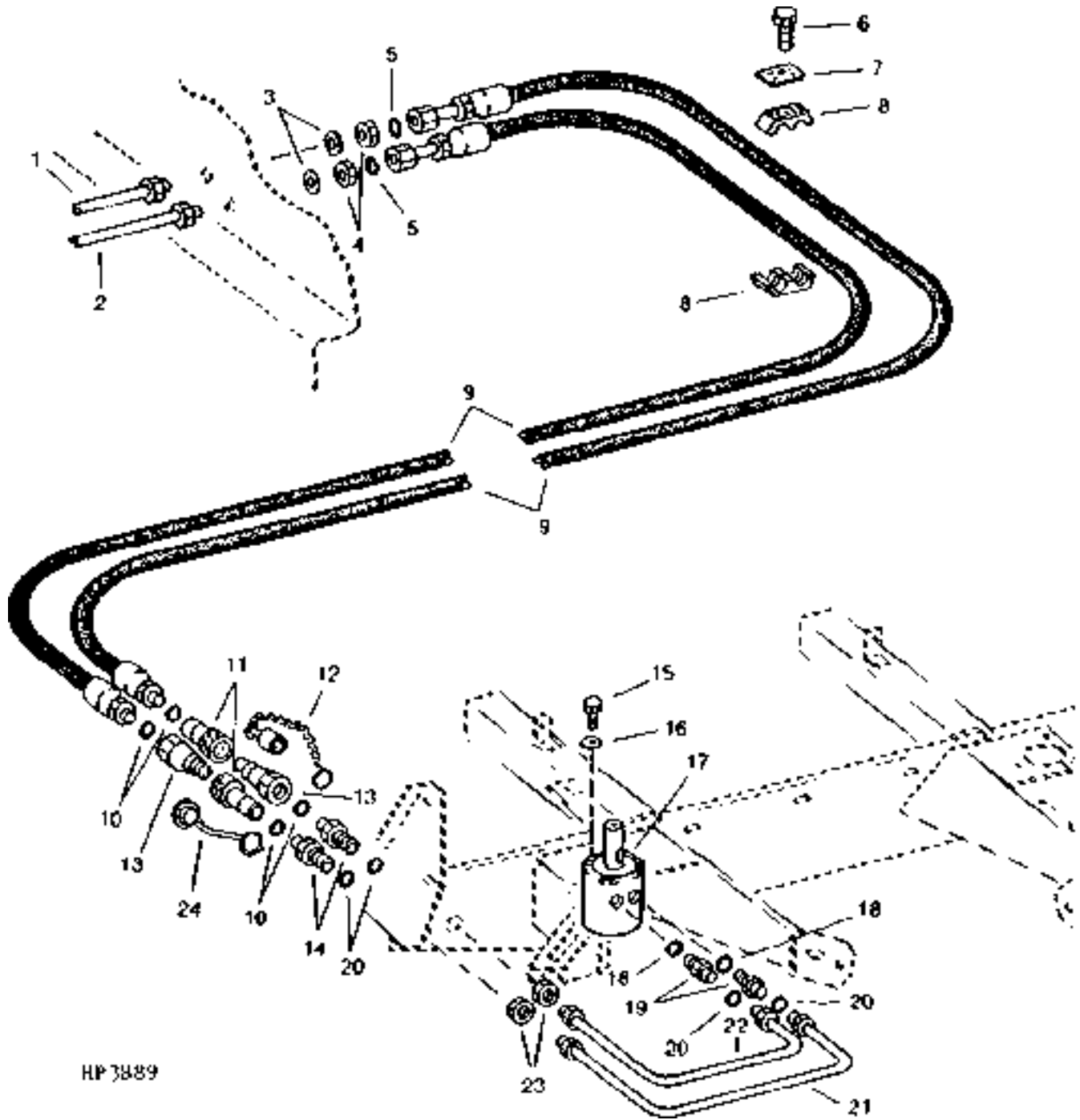
# 6D13

RESIDUE DISPOSAL

## CHAFF SPREADER (BELT TYPE) HOSES, LINES AND MOTOR

(-650400)

HP3889 -UN-01JAN94



HP 3889



# 6D14

RESIDUE DISPOSAL

**CHAFF SPREADER (BELT TYPE) HOSES, LINES AND MOTOR - CONTINUED**

( -650400)

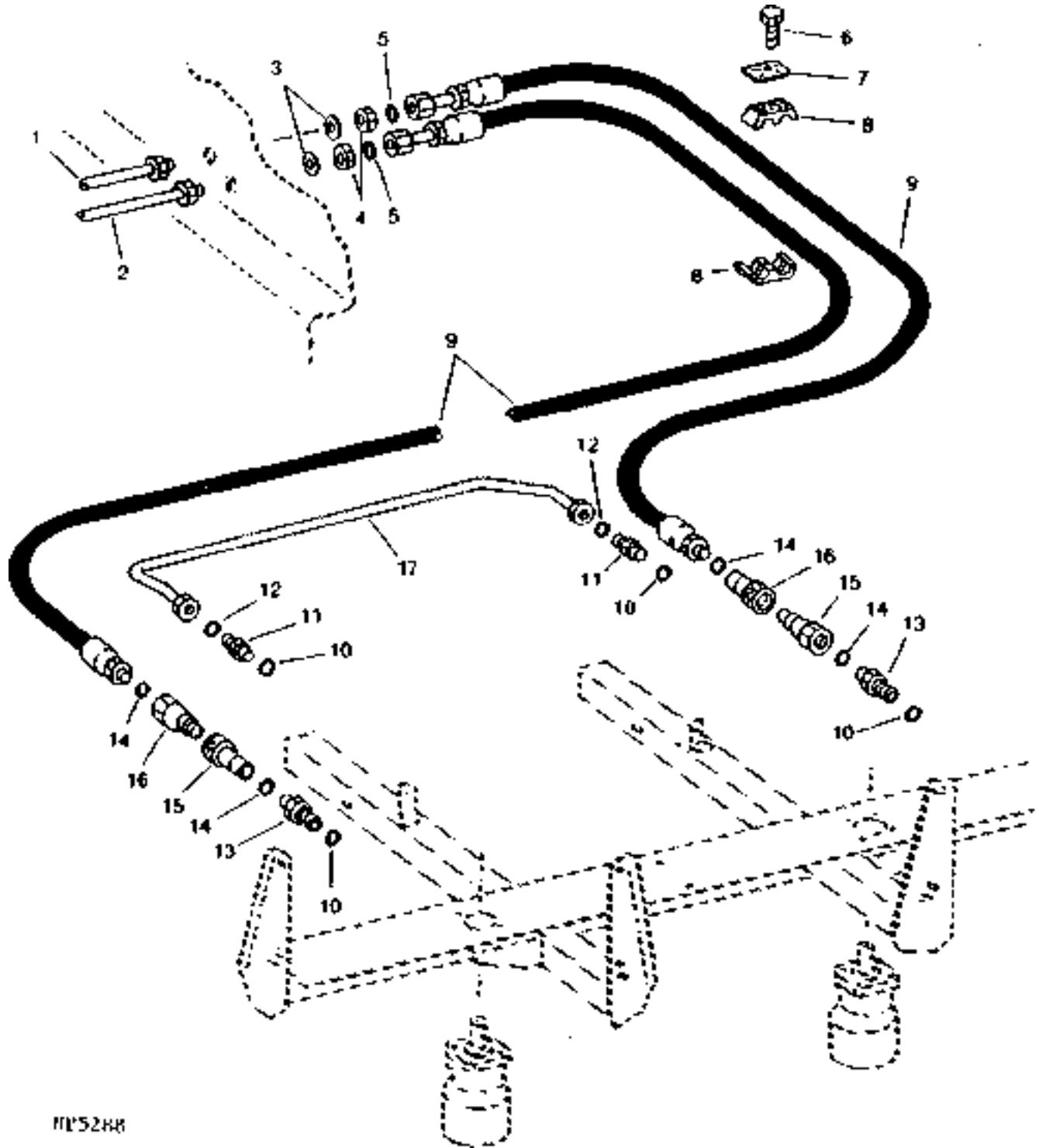
KEY	PART NO.	PART NAME	QTY	SERIAL NO.	REMARKS
1	AH133948	OIL LINE	1		PRESSURE
2	AH133949	OIL LINE	1		RETURN
3	24M7051	WASHER	2		21 X 37 X 3 MM
4	T78716	NUT	2		
5	T77857	O-RING	2		
6	19M8039	SCREW	1		M8 X 80
7	H112567	PLATE	1		
8	H122772	CLAMP	2		
9	AH133950	HYDRAULIC HOSE	2		
10	R26375	O-RING	2		
11	AH75167	HYD. QUICK-CONNECT COUPLER	2		(INCLUDES INTERNAL O-RING)
12	A15898	CAP	1		
13	AR94522	INTERNAL HALF COUPLER	2		
14	H137729	FITTING	2		
15	19H1936	CAP SCREW	4		
16	12H304	LOCK WASHER	4		3/8"
17	AH133196	MOTOR	1		
18	R26906	O-RING	2		
19	38H1162	ADAPTER	2		
20	T77932	O-RING	2		
21	AH134680	OIL LINE	1		RETURN
22	AH134679	OIL LINE	1		PRESSURE
23	T80306	NUT	2		25.400 MM
24	H125403	PLUG	1		

# 6D15

RESIDUE DISPOSAL

## CHAFF SPREADER (DUAL MOTOR) HOSES AND LINES

(650401- )  
HP5288 -UN-01JAN94



HP5288

# 6D16

RESIDUE DISPOSAL

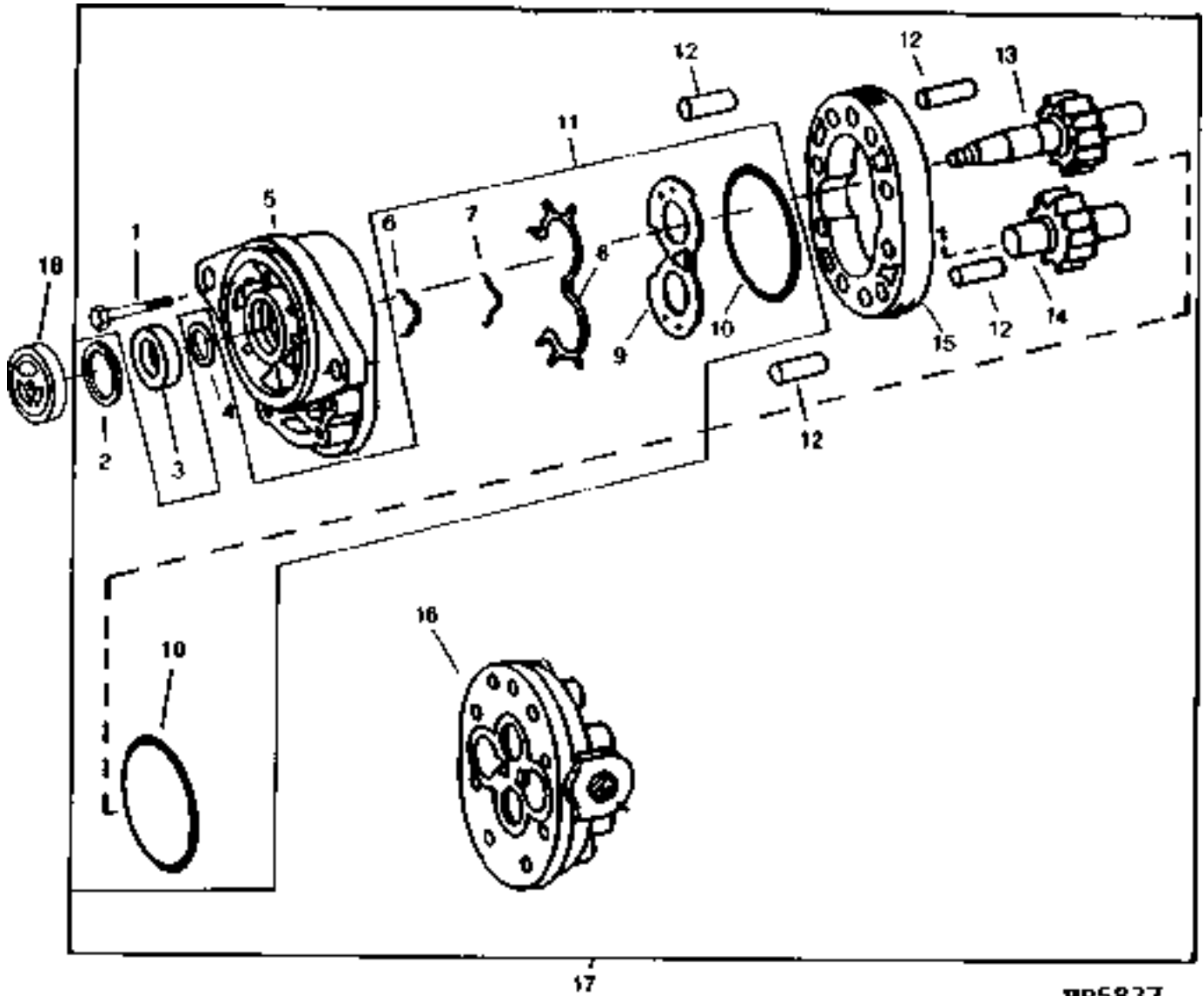
**CHAFF SPREADER (DUAL MOTOR) HOSES AND LINES - CONTINUED**  
(650401- )

KEY	PART NO.	PART NAME	QTY	SERIAL NO.	REMARKS
1	AH133948	OIL LINE	1		
2	AH133949	OIL LINE	1		
3	24M7051	WASHER	2		21 X 37 X 3 MM
4	T78716	NUT	2		20.625 MM
5	T77857	O-RING	2		
6	19M8039	SCREW	1		M8 X 80
7	H112567	PLATE	1		
8	H122772	CLAMP	2		
9	AH138718	HYDRAULIC HOSE	2		
10	R26906	O-RING	8		
11	38H1162	ADAPTER	3		
12	T77932	O-RING	9		
13	T62843	ADAPTER	2		
14	R26375	O-RING	4		
15	AH75167	HYD. QUICK-CONNECT COUPLER	2		(INCLUDES INTERNAL O-RING)
16	AR94522	INTERNAL HALF COUPLER	2		
17	AH137986	OIL LINE	1		

# 6D17

RESIDUE DISPOSAL

CHAFF SPREADER PUMP  
HP5837 -UN-20OCT94



HP5837

# 6D18

RESIDUE DISPOSAL

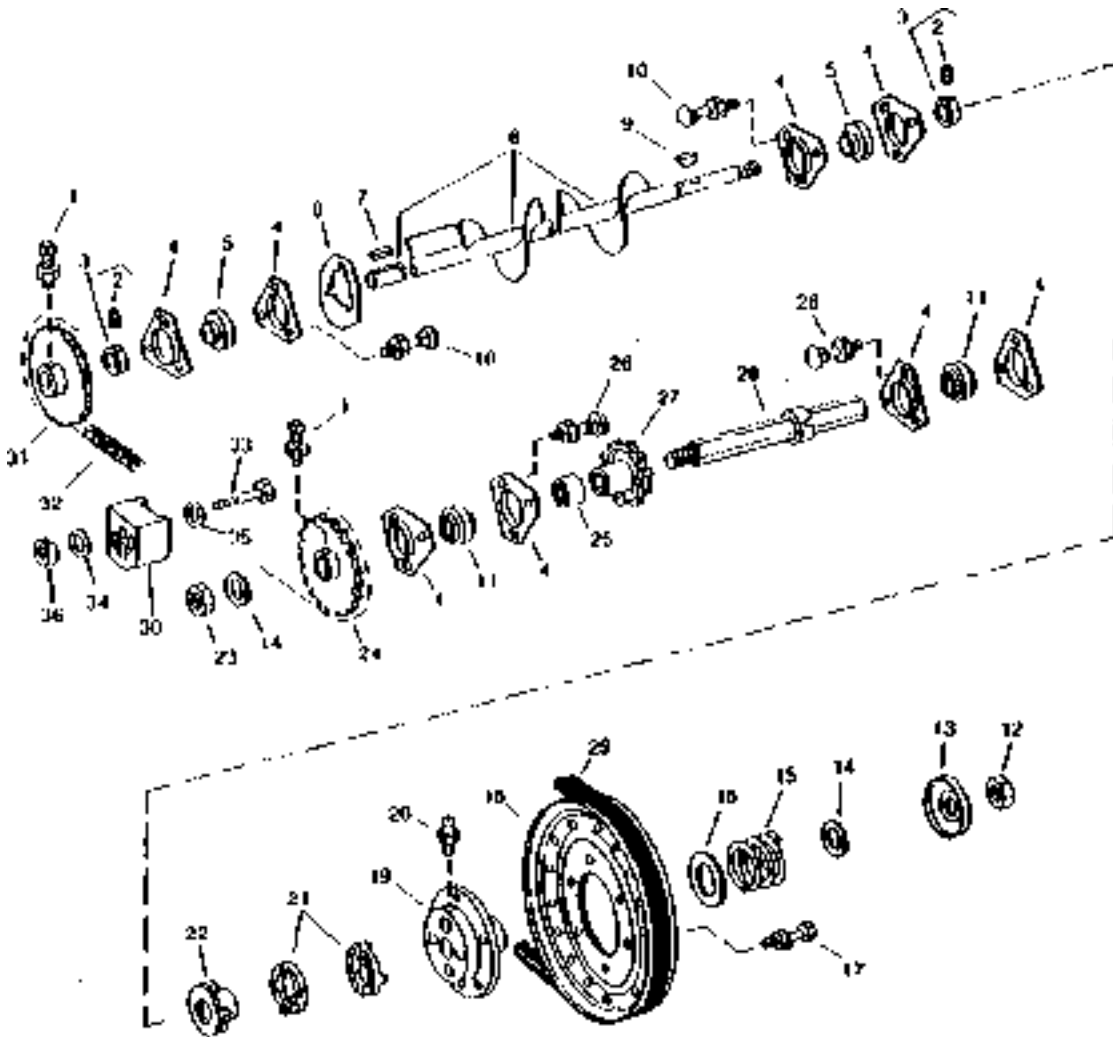
**CHAFF SPREADER PUMP - CONTINUED**

KEY	PART NO.	PART NAME	QTY	SERIAL NO.	REMARKS
1	E61791	BOLT	8		7.925 X 69.850 MM (5/16" X 2-3/4")
2	M41029	SNAP RING	1		(KIT AH131176)
3	AH131842	SEAL	1		
4	M48869	WASHER	1		(KIT AH131176)
5	.....	PLATE	1		(SUB AH134555)
6	.....	SEAL	1		(KIT AH131176)
7	.....	GASKET	1		(KIT AH131176)
8	.....	GASKET	1		(KIT AH131176)
9	.....	WEAR PLATE	1		(KIT AH131176)
10	H80821	O-RING	2		(KIT AH131176)
11	AH131176	SEAL KIT	1		
12	H116213	DOWEL PIN	4		
13	AH134554	GEAR	1		
14	.....	GEAR	1		(SUB AH134555)
15	.....	HOUSING	1		(SUB AH134555)
16	.....	PLATE	1		(SUB AH134555) (CESSNA NO. R25305-RAL) - REMANUFACTURED
17	AH134555	PUMP	1		
18	H140619	SHEAVE	1	-670400	
	H155289	SHEAVE	1	670401-	
..	AH131176	SEAL KIT	1		
..	<b>BH80390</b>	<b>COMPLETE GOODS/SHIP. BUNDLE</b>	<b>1</b>		<b>CHAFF SPREADER WITH OR WITHOUT FOUR WHEEL DRIVE</b>

# 6D19

RESIDUE DISPOSAL

LOWER TAILINGS AUGER, SHAFT AND TIGHTENER  
HP5817 -UN-01JAN94



HP5817

# 6D20

RESIDUE DISPOSAL

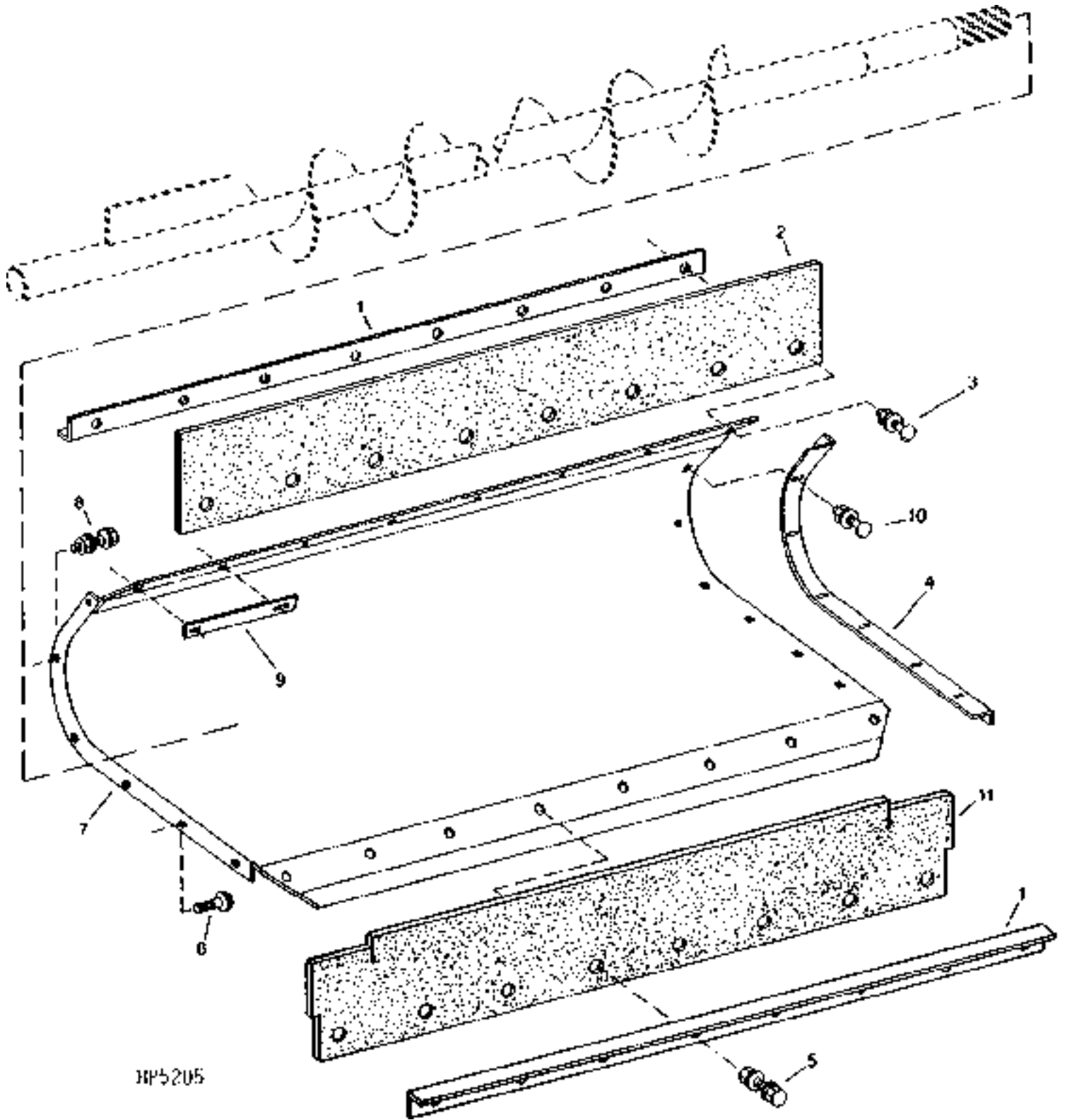
## LOWER TAILINGS AUGER, SHAFT AND TIGHTENER - CONTINUED

KEY	PART NO.	PART NAME	QTY	SERIAL NO.	REMARKS
1	H138435	SET SCREW	AR		
	14M7274	NUT	AR	M10	
2	22M7080	SET SCREW	2	M8 X 8	
3	AZ10045	ECCENTRIC LOCKING COLLAR	2		
4	E10018	PRESSED FLANGED HOUSING	AR		
5	JD39103	BALL BEARING	2		
6	H132906	PLATE	1		
7	49M4111	SHAFT KEY	1		
8	AH146322	AUGER	1		(SUB FOR AH140213) (LOWER)
9	26H19	SHAFT KEY	1	1/4" X 7/8"	
10	03M7191	BOLT	AR	M10 X 25	
	14M7296	FLANGE NUT	AR	M10	
11	JD9313	BALL BEARING	2		
12	14M7300	FLANGE NUT	1	M20	
13	AH126677	CAP	1		
14	24M7051	WASHER	2	21 X 37 X 3 MM	
15	J21022	SPRING	1		
16	24M7176	WASHER	1	56 X 72 X 3 MM	
17	19M7867	SCREW	AR	M8 X 25	
	14M7298	FLANGE NUT	AR	M8	
18	AH126388	SHEAVE	1		270 MM (10-1/2") DIA.
19	H97574	HUB	1		
20	JD7797	LUBRICATION FITTING	1	1/4" STRAIGHT	
21	H128265	SLIP CLUTCH	2		
22	H85015	HUB	1		
23	A31870	LOCK NUT	1		(SUB FOR 14M7428)
24	AH130572	CHAIN SPROCKET	1		18-TOOTH
25	H134605	SPACER	1		
26	03M7190	BOLT	AR	M10 X 20	
	14M7296	FLANGE NUT	AR	M10	
27	H134603	CHAIN SPROCKET	1		8-TOOTH
28	AH130570	SHAFT	1		LOWER CONVEYOR
29	N110085	BELT	1		
30	H136582	TIGHTENER	1		
31	AH121047	CHAIN SPROCKET	1		18-TOOTH
32	AH126239	ROLLER CHAIN	1		ROLLER, TYPE 50
33	03M7245	BOLT	1		M8 X 55
34	24M7207	WASHER	1	655401-	8.400 X 24 X 2 MM (0.331" X 0.945" X 0.079")
35	H75716	LOCK WASHER	1	655401-	13.220 MM (0.520")
36	14M7298	FLANGE NUT	1		M8

# 6D21

RESIDUE DISPOSAL

LOWER TAILINGS AUGER TROUGH  
HP5205 -UN-01JAN94



HP5205



# 6D22

RESIDUE DISPOSAL

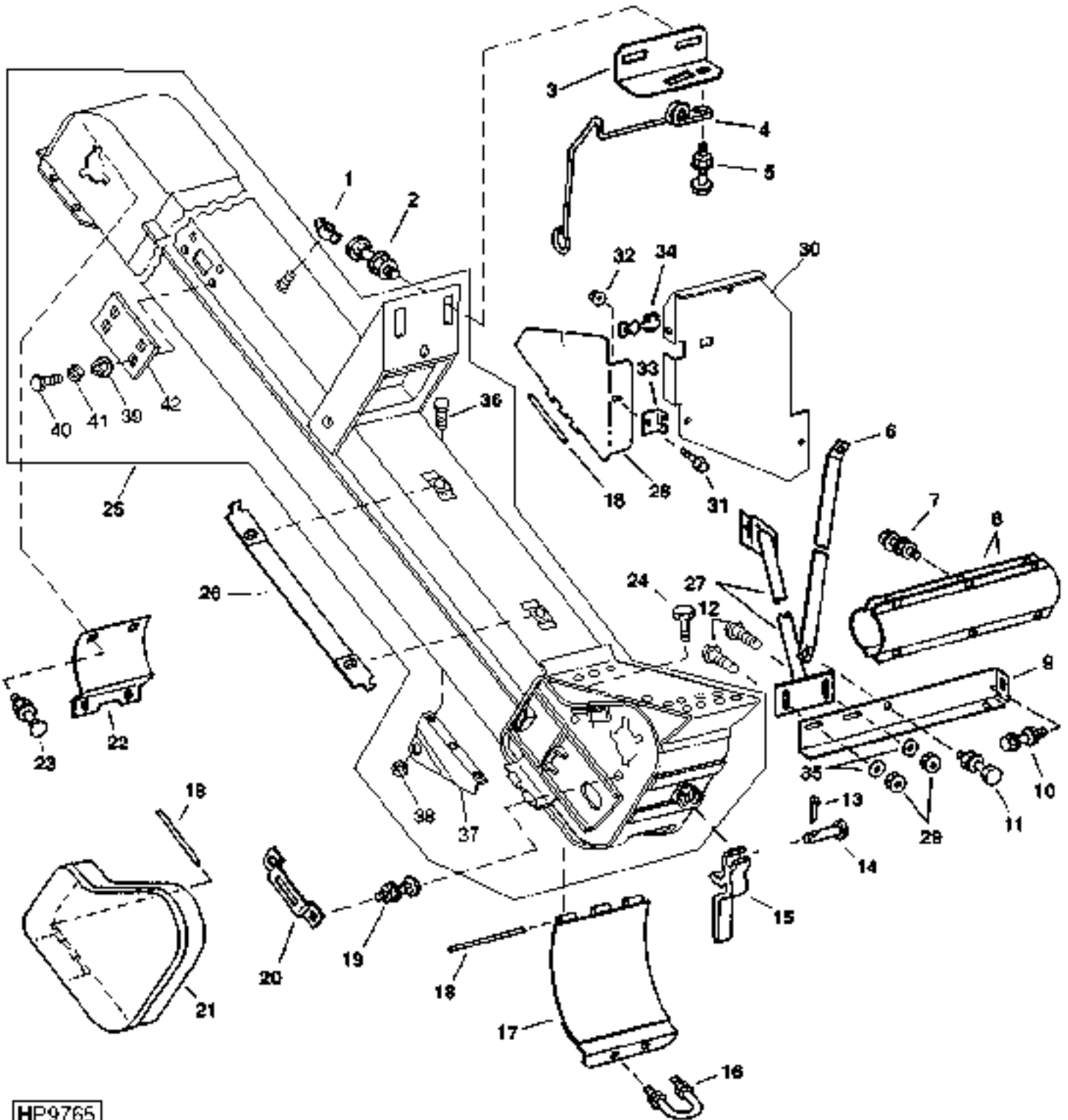
**LOWER TAILINGS AUGER TROUGH - CONTINUED**

KEY	PART NO.	PART NAME	QTY	SERIAL NO.	REMARKS
1	H134308	REINFORCEMENT	2		
2	H134314	STRAP	1		FRONT
3	03M7184	BOLT	AR	-660400	M8 X 20
	19M7865	SCREW	AR	660401-	M8 X 16
	14M7298	FLANGE NUT	AR		M8
4	H134317	SUPPORT	1		
5	19M7865	SCREW	AR		M8 X 16
	14M7298	FLANGE NUT	AR		M8
6	19M7866	SCREW	2		M8 X 20
7	AH138655	TROUGH	1		
8	19M7866	SCREW	4		M8 X 20
	14M7298	FLANGE NUT	4		M8
9	H137585	STRAP	1		
10	03M7183	BOLT	AR		M8 X 16
	14M7298	FLANGE NUT	AR		M8
11	H147660	SEAL	1		

# 6D23

RESIDUE DISPOSAL

TAILINGS ELEVATOR HOUSING  
HP9765 -UN-24MAY00



HP9765

# 6D24

RESIDUE DISPOSAL

## TAILINGS ELEVATOR HOUSING - CONTINUED

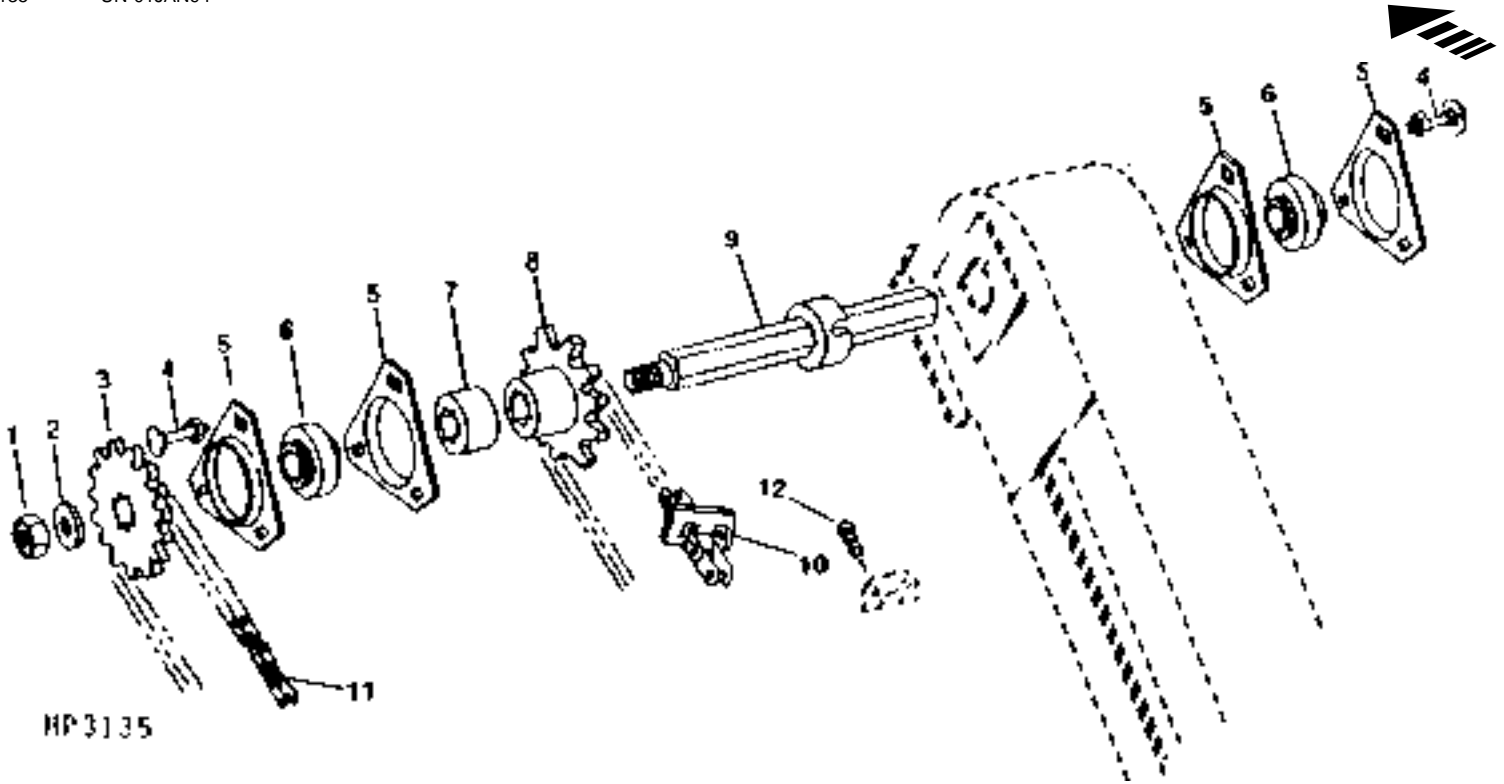
KEY	PART NO.	PART NAME	QTY	SERIAL NO.	REMARKS
1	14M7020	WING NUT	1		M8
2	03M7190	BOLT	2		M10 X 20
	14M7296	FLANGE NUT	2		M10
3	H132708	BRACKET	1		
4	H130930	SPRING	1		
5	19M7784	SCREW	1		M10 X 20
	14M7296	FLANGE NUT	1		M10
6	H146536	SUPPORT	1		
7	19M7868	SCREW	AR		M8 X 30
	14M7298	FLANGE NUT	AR		M8
8	H136054	HOUSING	2		SOLID
	H136055	HOUSING	2		PERFORATED
9	H130667	SUPPORT	1		(SUB H171006)
	H171006	SUPPORT	1		
10	19M7785	SCREW	2		M10 X 25
	14M7296	FLANGE NUT	2		M10
11	19M7865	SCREW	1		M8 X 16
	14M7298	FLANGE NUT	1		M8
12	19M7785	SCREW	2		M10 X 25
13	11M7081	COTTER PIN	1		2.500 X 20 MM
14	RV810A	PIN	1		DRILLED
15	H101297	LEVER	1		
16	H105519	U-BOLT	1		
	24M7139	WASHER	2		6.400 X 18 X 1.600 MM
	14M7397	LOCK NUT	2		M6
17	AH130892	DOOR	1		SOLID
18	H76083	PIN	3		CUT TO LENGTH
19	03M7184	BOLT	2		M8 X 20
	14M7298	FLANGE NUT	2		M8
20	H130661	BRACKET	1		
21	AH130886	SHIELD	1		
22	H134826	DEFLECTOR	1	-650400	
	H147846	DEFLECTOR	1	650401-	
23	03M7183	BOLT	2		M8 X 16
	14M7298	FLANGE NUT	2		M8
24	19M7865	SCREW	1		M8 X 16
25	AH169233	KIT	1		COMPLETE TAILINGS ELEVATOR HOUSING, (SUB FOR AH136239, AH141573 OR AH156177)
26	H149997	GRIP	1		(SUB FOR AH131213)
27	AH142163	SUPPORT	1		(SUB FOR AH132855)
28	H152086	SHIELD	1	-29SEP7	(SUB FOR H141547)
	H160715	SHIELD	1	29SEP7-	
29	14M7296	FLANGE NUT	2		M10
30	H154959	SHIELD	1		(SUB FOR H146537)
31	19M7775	SCREW	1		M6 X 16
32	14M7303	FLANGE NUT	1		M6
33	H141549	CLAMP	1		
34	A44990	LATCH	1		
35	24M7239	WASHER	2		10.700 X 21 X 2.500 MM
36	19M7866	SCREW	3		M8 X 20
37	H158736	PLATE	1		
38	14M7298	FLANGE NUT	3		M8
39	M80082	NUT	8		
40	03M7221	BOLT	8		M6 X 16
41	14M7303	FLANGE NUT	8		M6
42	H168019	COVER	2		

# 6D25

RESIDUE DISPOSAL

## TAILINGS ELEVATOR CONVEYOR CHAIN, SPROCKETS AND BEARINGS

HP3135 -UN-01JAN94

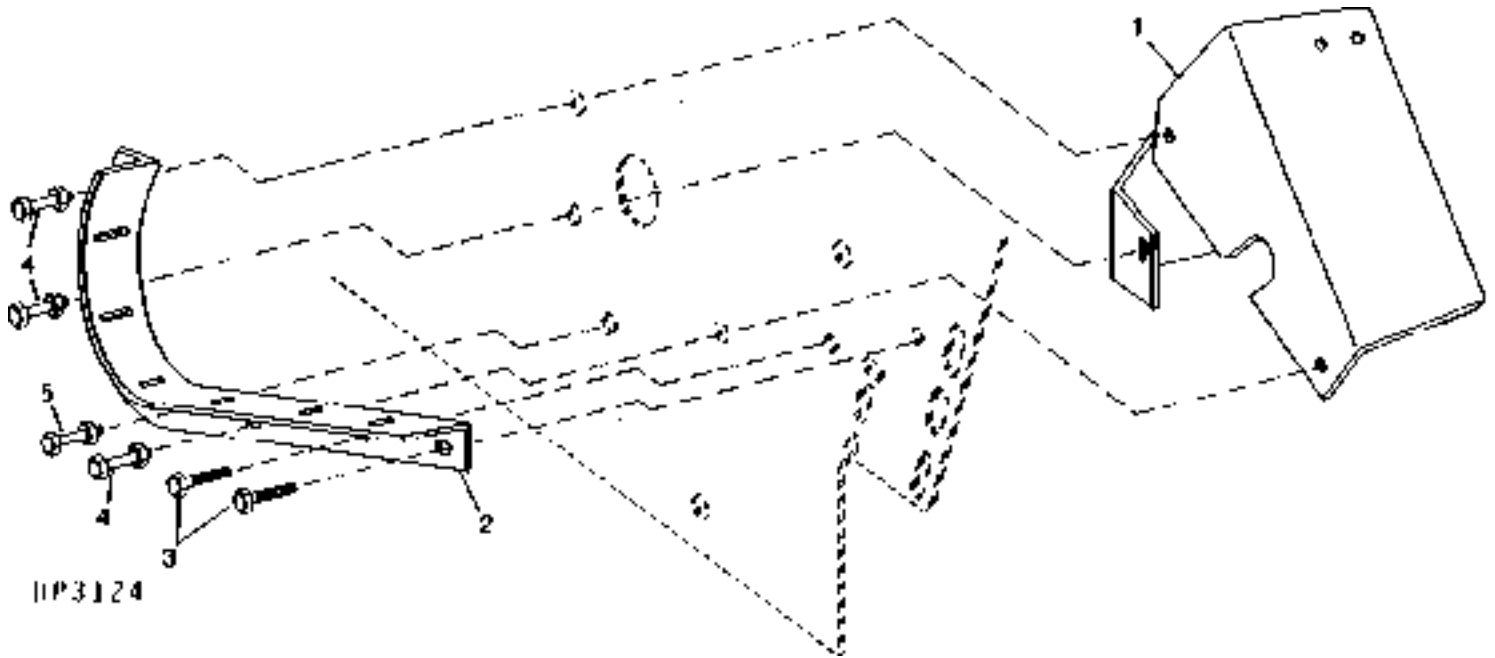


HP3135

KEY	PART NO.	PART NAME	QTY	SERIAL NO.	REMARKS
1	14M7277	NUT	1	M20	
2	24M7277	WASHER	1	21 X 60 X 4 MM	
3	AH130571	CHAIN SPROCKET	1	30 TOOTH, DRIVE	
4	03M7190	BOLT	AR	M10 X 20	
	14M7296	FLANGE NUT	AR	M10	
5	E10018	PRESSED FLANGED HOUSING	4		
6	JD9313	BALL BEARING	2		
7	H134606	SPACER	1		
8	H134603	CHAIN SPROCKET	1	8 TOOTH (CONVEYOR)	
9	AH130570	SHAFT	1	UPPER CONVEYOR	
10	AH131074	LINK CHAIN	1	(CA550 ROLLER CHAIN) (25 PADDLES)	
	C10232	LINK	1	ROLLER	
	AH137631	CHAIN LINK	1	(SUB FOR C10232) OFFSET	
	AC11779	PIN	1		
	C10263	TRACK CHAIN W/O SHOES	1	COUPLER	
	AC14974	PIN	1		
	H135235	PADDLE	25	RUBBER	
	H86760	PADDLE	1	STEEL CLEANING	
	.....	RIVET	50	(SUB AH86897)	
	AH87765	CHAIN LINK	25		
11	.....	ROLLER CHAIN	1	ROLLER, TYPE 50, 16MM (5/8") PITCH, 124 LINKS , (ASSEMBLE FROM AH18482 OR AP2245 AND (1) P20351)	
12	AH86897	BOLT	AR	(REPLACES RIVETS) (INCLUDES (1) H85934, (1) 12H302 AND (1) 14H786)	

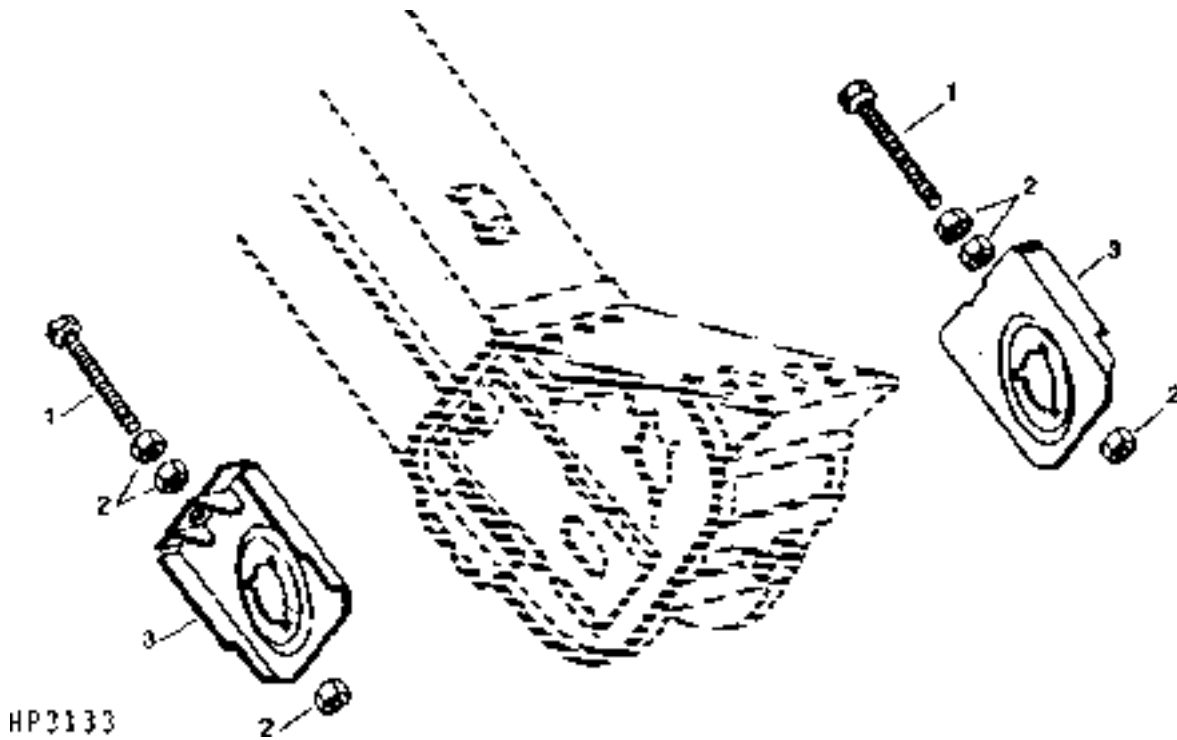
## LOWER TROUGH SUPPORT AND TAILINGS DRIVE BRACKET

HP3124 -UN-01JAN94



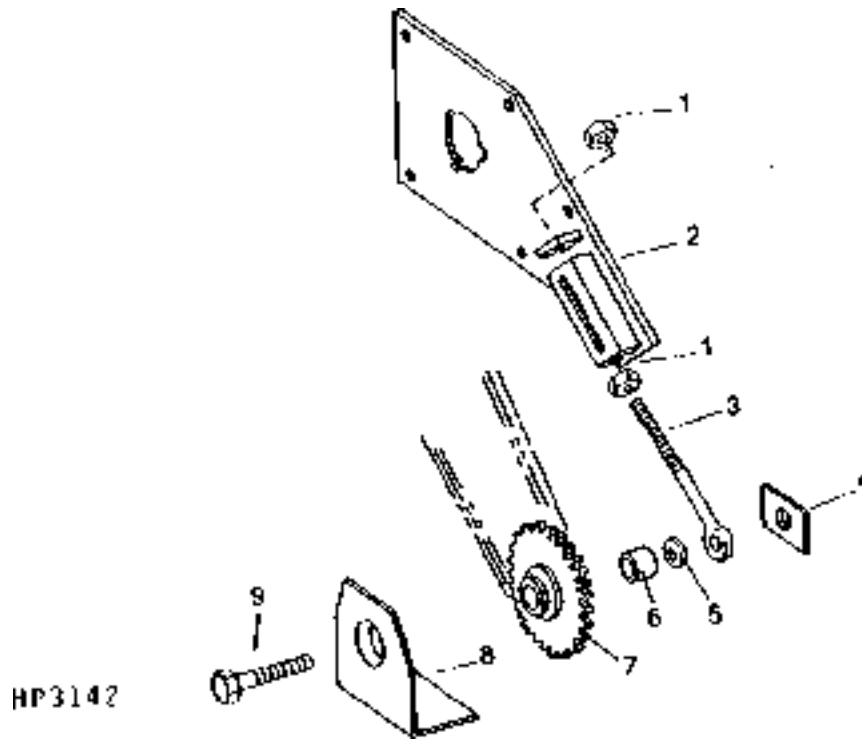
KEY	PART NO.	PART NAME	QTY	SERIAL NO.	REMARKS
1	AH131080	BRACKET	1		
2	H134317	SUPPORT	1		
3	19M7866	SCREW	2		M8 X 20
4	19M7867	SCREW	3		M8 X 25
	14M7298	FLANGE NUT	3		M8
5	19M7866	SCREW	1		M8 X 20
	14M7298	FLANGE NUT	1		M8

**LOWER TAILINGS AUGER CHAIN TIGHTENER**  
 HP3133 -UN-01JAN94



KEY	PART NO.	PART NAME	QTY	SERIAL NO.	REMARKS
1	19M7596	CAP SCREW	2	M16 X 160	
2	14M7276	NUT	6	M16	
3	AH130884	BRACKET	2		

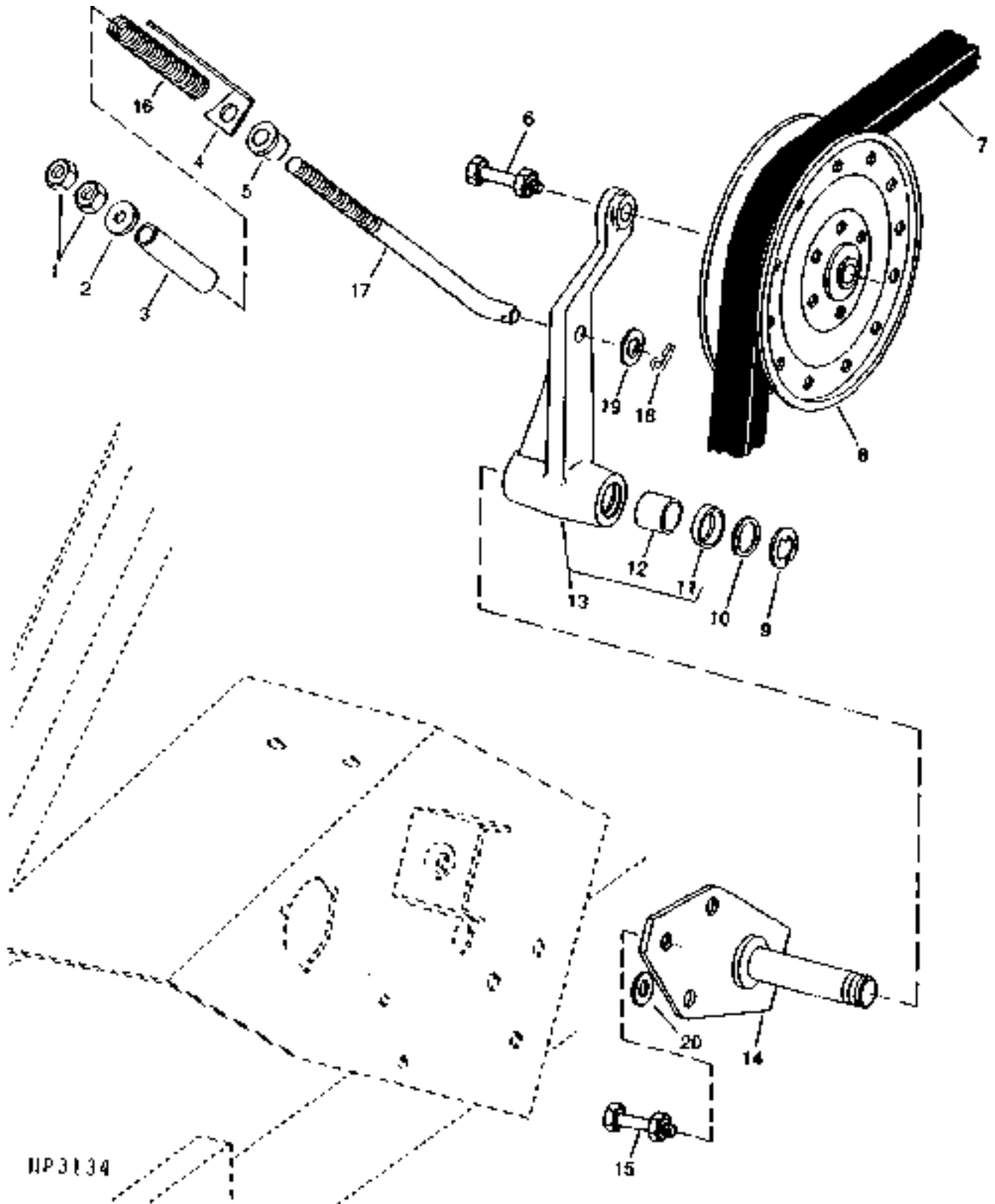
**UPPER TAILINGS DRIVE CHAIN TIGHTENER**  
 HP3142 -UN-01JAN94



KEY	PART NO.	PART NAME	QTY	SERIAL NO.	REMARKS
1	14H1040	NUT	2	1/2"	
2	AH128664	SUPPORT	1	IDLER	
3	H130956	EYEBOLT	1		
4	H130957	NUT	1	M12	
5	24M7047	WASHER	1	13 X 24 X 2.500 MM	
6	28H1597	WASHER	1	0.546" X 0.840" X 3/8"	
7	AH98176	CHAIN SPROCKET	1	17 TOOTH	
8	H133031	SHIELD	1		
9	19M7363	CAP SCREW	1	M12 X 60	

## LOWER TAILINGS AUGER DRIVE TIGHTENER

HP3134 -UN-01JAN94



HP3134



## LOWER TAILINGS AUGER DRIVE TIGHTENER - CONTINUED

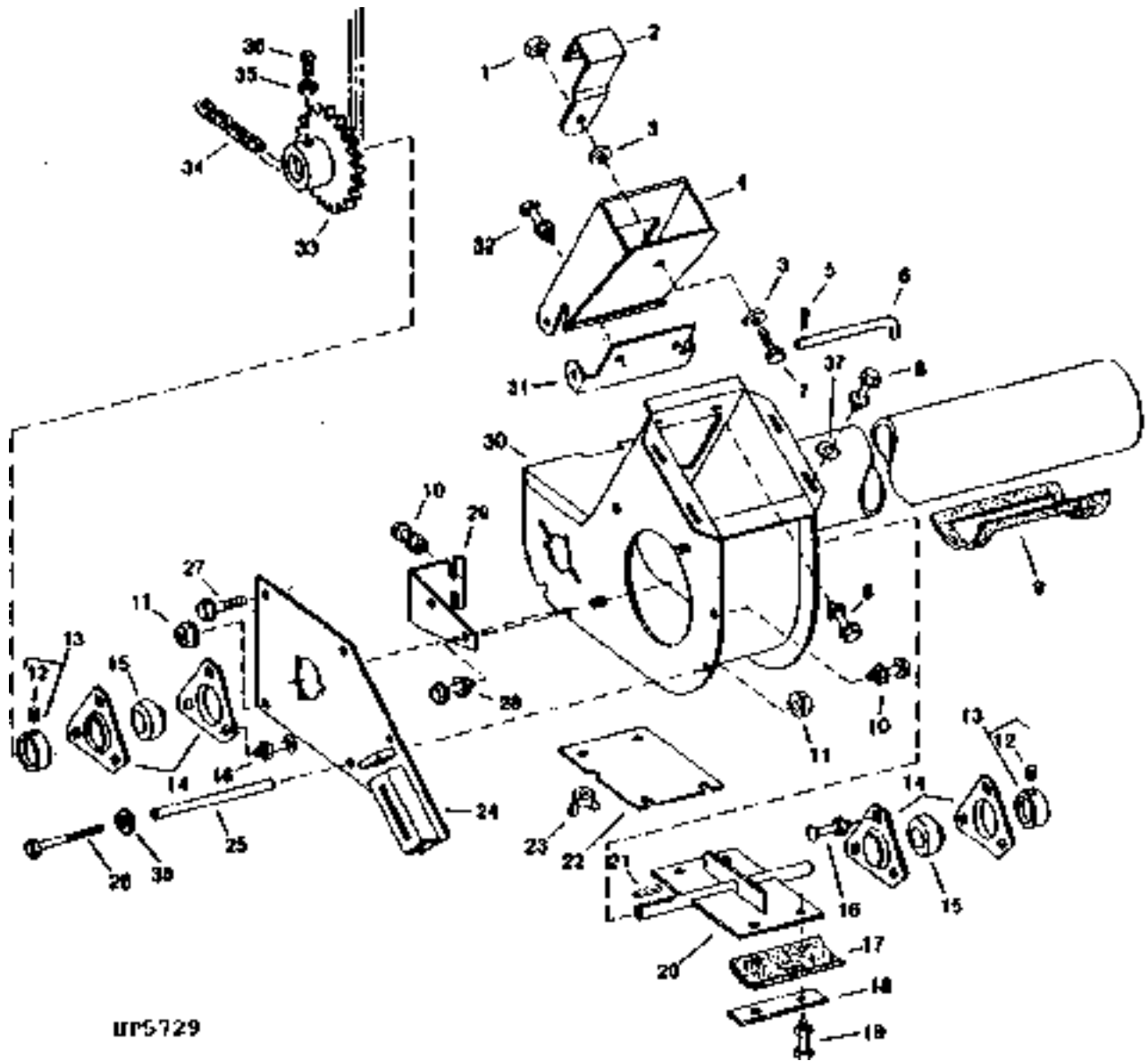
KEY	PART NO.	PART NAME	QTY	SERIAL NO.	REMARKS
1	14M7275	NUT	2	M12	
2	24M7180	WASHER	1	13 X 37 X 3 MM	
3	TY22326	BULK HOSE	1	CUT TO LENGTH	
4	H127872	GAUGE	1		
5	H129207	PIVOT	1		
6	19M7824	SCREW	1	M16 X 60	
	14M7291	FLANGE NUT	1	M16	
7	N110085	BELT	1		
8	AH85276	PULLEY	1		
9	P46402	SNAP RING	1		
10	24M7091	WASHER	1	26 X 44 X 4 MM	
11	AA5607R	SEAL	2		
12	H99147	BUSHING	2	(SUB H171061)	
	H171061	BEARING	2		
13	AH126865	ARM	1	ELEVATOR DRIVE	
14	AH156051	SPRING PIN	1	(SUB FOR AH109197)	
15	19M7785	SCREW	3	M10 X 25	
	14M7296	FLANGE NUT	3	M10	
16	H26552	SPRING	1		
17	H118948	HOOK BOLT	1	IDLER	
18	11M7021	COTTER PIN	1	4 X 25 MM	
19	24M7047	WASHER	1	13 X 24 X 2.500 MM	
20	24M7178	WASHER	AR	10.500 X 30 X 2.500 MM	

# 6E6

RESIDUE DISPOSAL

## UPPER TAILINGS AUGER HOUSING AND PADDLE ASSEMBLY

HP5729 -UN-01JAN94

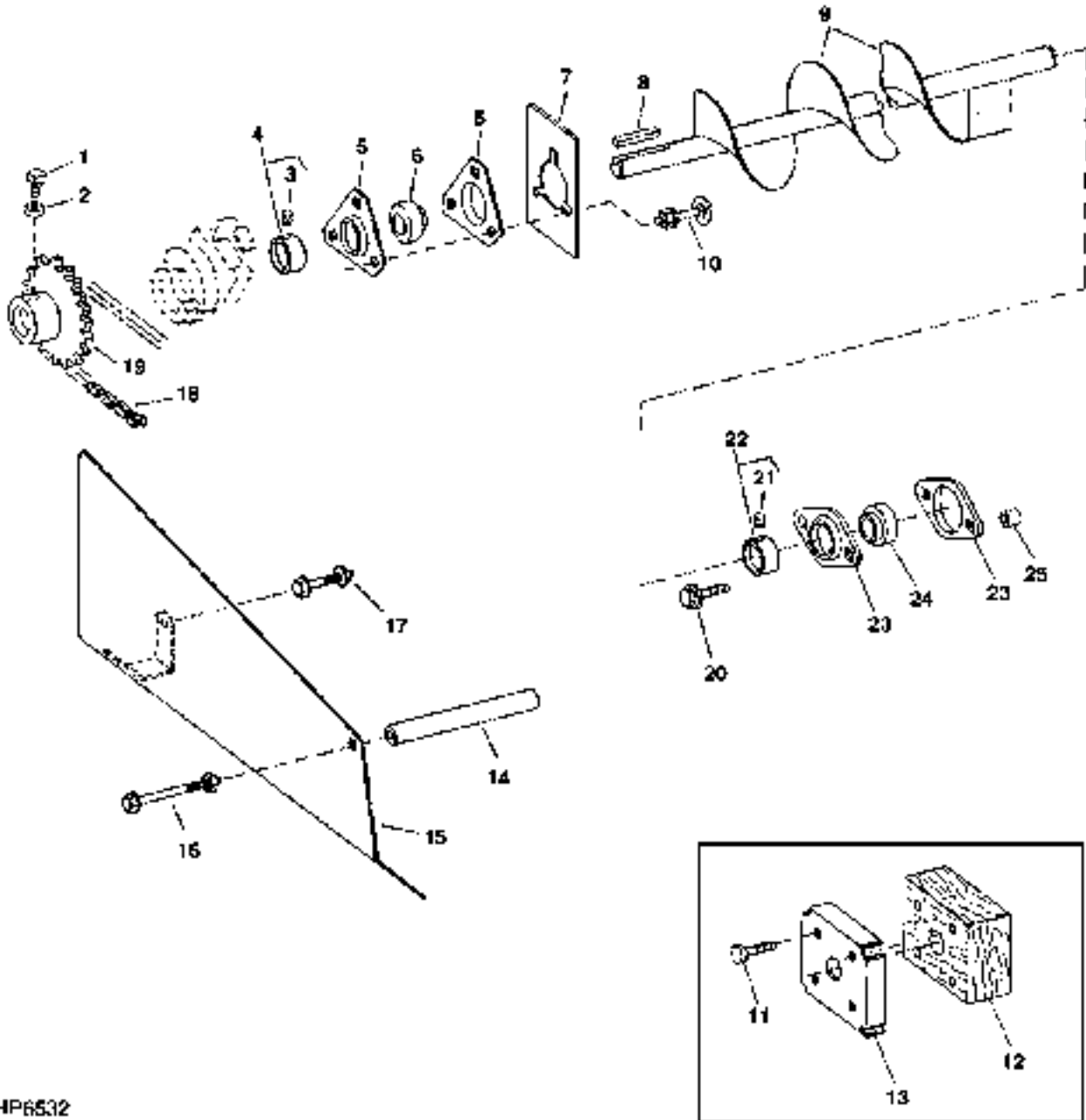


HP5729

## UPPER TAILINGS AUGER HOUSING AND PADDLE ASSEMBLY - CONTINUED

KEY	PART NO.	PART NAME	QTY	SERIAL NO.	REMARKS
1	14M7397	LOCK NUT	1		
2	H133541	LATCH	1		
3	24M7139	WASHER	2		6.400 X 18 X 1.600 MM
4	AH130136	DOOR	1		
5	J16931	SPRING LOCKING PIN	1		
6	H134068	PIN	1		
7	19M7774	SCREW	1		M6 X 12
8	19M7865	SCREW	AR		M8 X 16
	14M7298	FLANGE NUT	AR		M8
9	H143735	SEAL	1		
10	19M7866	SCREW	3		M8 X 20
	14M7298	FLANGE NUT	3		M8
11	14M7298	FLANGE NUT	3		M8
12	22M7080	SET SCREW	2		M8 X 8
13	AZ10045	ECCENTRIC LOCKING COLLAR	2		
14	E10018	PRESSED FLANGED HOUSING	AR		
15	JD39103	BALL BEARING	2		
16	03M7191	BOLT	AR		M10 X 25
	14M7296	FLANGE NUT	AR		
17	H131639	PADDLE	2		RUBBER
18	H131638	STRAP	2		
19	19M7868	SCREW	AR		M8 X 30
	14M7396	LOCK NUT	AR		M8
20	AH128663	PADDLE	1		
21	49M4111	SHAFT KEY	AR		8 X 7 X 40 MM
22	H135309	COVER	1		CLEAN OUT
23	14M7020	WING NUT	AR		M8
24	AH128664	SUPPORT	1		IDLER
25	H140467	BUSHING	1		
26	19M8404	CAP SCREW	1		M8 X 130
27	19M7864	SCREW	1		M8 X 12
28	19M7862	SCREW	2		M6 X 20
	14M7303	FLANGE NUT	2		M6
29	H133686	SUPPORT	1	-650400	
	H147967	SUPPORT	1	650401-	
30	AH149180	TUBE	1		(SUB FOR AH141572)
31	H134065	HINGE	1		
32	19M7865	SCREW	2		M8 X 16
	14M7298	FLANGE NUT	2		M8
33	AH126008	CHAIN SPROCKET	1		30 TOOTH
34	AH126007	ROLLER CHAIN	1		ROLLER, TYPE 50, 124 LINKS
35	14M7274	NUT	2		M10
36	H138435	SET SCREW	2		
37	24M7207	WASHER	4		8.400 X 24 X 2 MM
38	24M7055	WASHER	1		8.400 X 16 X 1.600 MM

UPPER TAILINGS AUGER, DRIVE AND SHIELD  
HP6532 -UN-23AUG96



HP6532

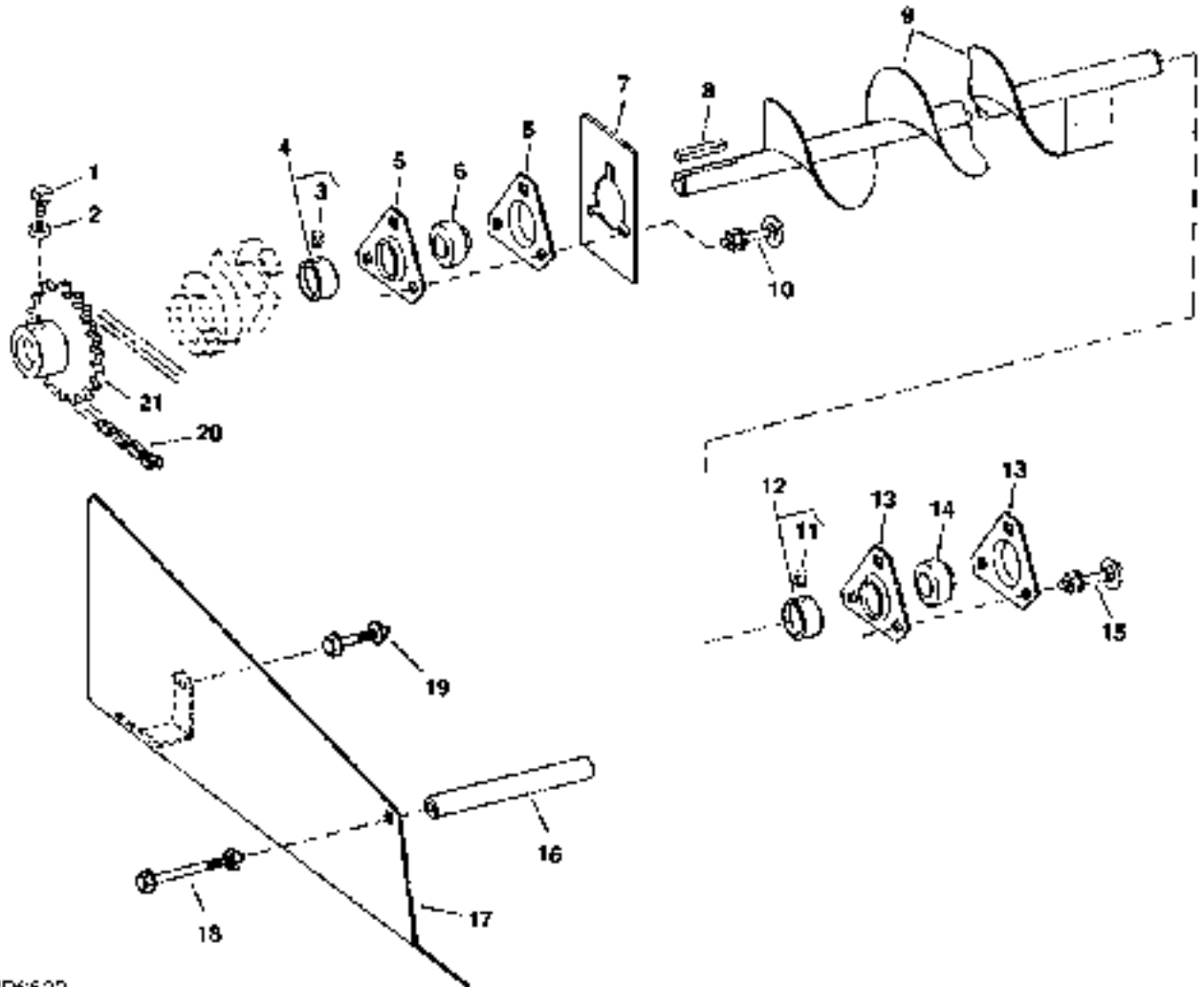
## UPPER TAILINGS AUGER, DRIVE AND SHIELD - CONTINUED

KEY	PART NO.	PART NAME	QTY	SERIAL NO.	REMARKS
1	H138435	SET SCREW	2		
2	14M7274	NUT	2	M10	
3	22M7079	SET SCREW	1	M6 X 6	
4	AZ10044	ECCENTRIC LOCKING COLLAR	1		
5	H103264	PRESSED FLANGED HOUSING	2		
6	JD39102	BALL BEARING	1		
7	H148633	END PLATE	1		(SUB FOR H134055)
8	49M4111	SHAFT KEY	1		8 X 7 X 40 MM (IN AH141142 KEY STOCK KIT) (CUT FROM H150269)
9	AH125895	AUGER	1		
10	03M7184	BOLT	AR	M8 X 20	
	14M7298	FLANGE NUT	AR	M8	
11	37M7102	SCREW	AR	-666561	M8 X 40
12	H134962	BEARING	1	-666561	(SUB (2) 28H86, (2) M66125, JD39102, 22M7079, AZ10044 AND (2) 37M7092) WOOD, BEARING
13	H134963	RETAINER	1	-666561	
14	H140467	BUSHING	1		
15	AH160994	SHIELD	1		(SUB FOR AH135207)
16	19M8262	CAP SCREW	1	M8 X 130	
	14M7298	FLANGE NUT	1	M8	
17	19M7862	SCREW	1	M6 X 20	
	14M7303	FLANGE NUT	1	M6	
18	AH126007	ROLLER CHAIN	1		ROLLER, TYPE 50, 124 LINKS
19	AH121046	CHAIN SPROCKET	1		22 TOOTH
20	37M7092	SCREW	2		M8 X 16
21	22M7079	SET SCREW	1		M6 X 6
22	AZ10044	ECCENTRIC LOCKING COLLAR	1		
23	M66125	PRESSED FLANGED HOUSING	2		
24	JD39102	BALL BEARING	1		
25	28H86	WASHER	2		

# 6E10

RESIDUE DISPOSAL

UPPER TAILINGS AUGER, DRIVE AND SHIELD  
HP6533 -UN-23AUG96



HP6533

# 6E11

RESIDUE DISPOSAL

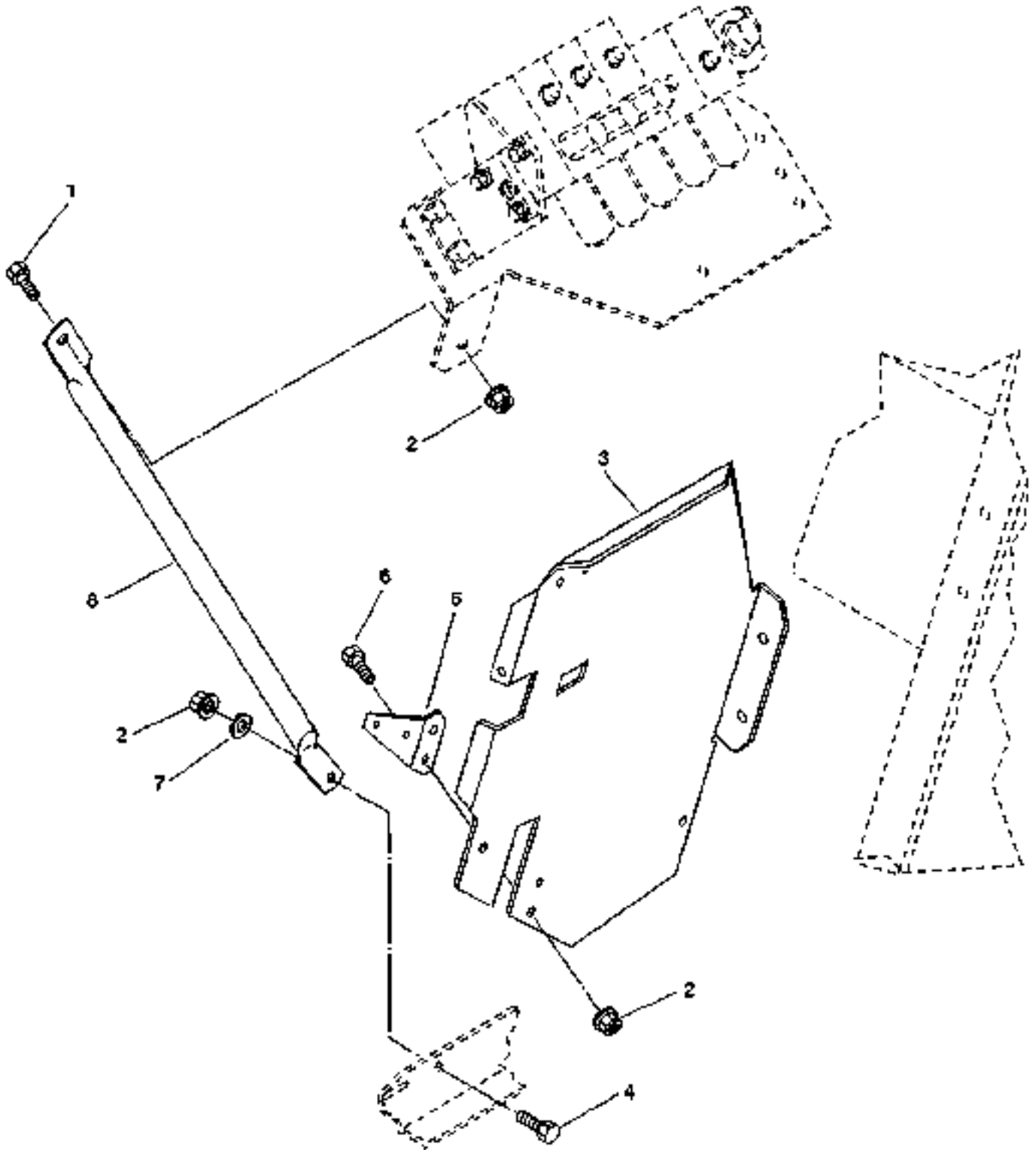
## UPPER TAILINGS AUGER, DRIVE AND SHIELD - CONTINUED

KEY	PART NO.	PART NAME	QTY	SERIAL NO.	REMARKS
1	H138435	SET SCREW	2		
2	14M7274	NUT	2	M10	
3	22M7079	SET SCREW	1	M6 X 6	
4	AZ10044	ECCENTRIC LOCKING COLLAR	1		
5	H103264	PRESSED FLANGED HOUSING	2		
6	JD39102	BALL BEARING	1		
7	H148633	END PLATE	1		(SUB FOR H134055)
8	49M4111	SHAFT KEY	1		8 X 7 X 40 MM (IN AH141142 KEY STOCK KIT) (CUT FROM H150269)
9	AH125895	AUGER	1		
10	03M7184	BOLT	AR	M8 X 20	
	14M7298	FLANGE NUT	AR	M8	
11	22M7079	SET SCREW	1	M6 X 6	
12	AZ10044	ECCENTRIC LOCKING COLLAR	1		
13	H103264	PRESSED FLANGED HOUSING	2		
14	JD39102	BALL BEARING	1		
15	03M7184	BOLT	3	M8 X 20	
	14M7298	FLANGE NUT	3	M8	
16	H140467	BUSHING	1		
17	AH160994	SHIELD	1		(SUB FOR AH135207)
18	19M8262	CAP SCREW	1	M8 X 130	
	14M7298	FLANGE NUT	1	M8	
19	19M7862	SCREW	1	M6 X 20	
	14M7303	FLANGE NUT	1	M6	
20	AH126007	ROLLER CHAIN	1		ROLLER, TYPE 50, 124 LINKS
21	AH121046	CHAIN SPROCKET	1		22 TOOTH

# 6E12

RESIDUE DISPOSAL

UPPER REAR TAILINGS SHEILD  
HP6774 -UN-18AUG97



HP6774



# 6E13

RESIDUE DISPOSAL

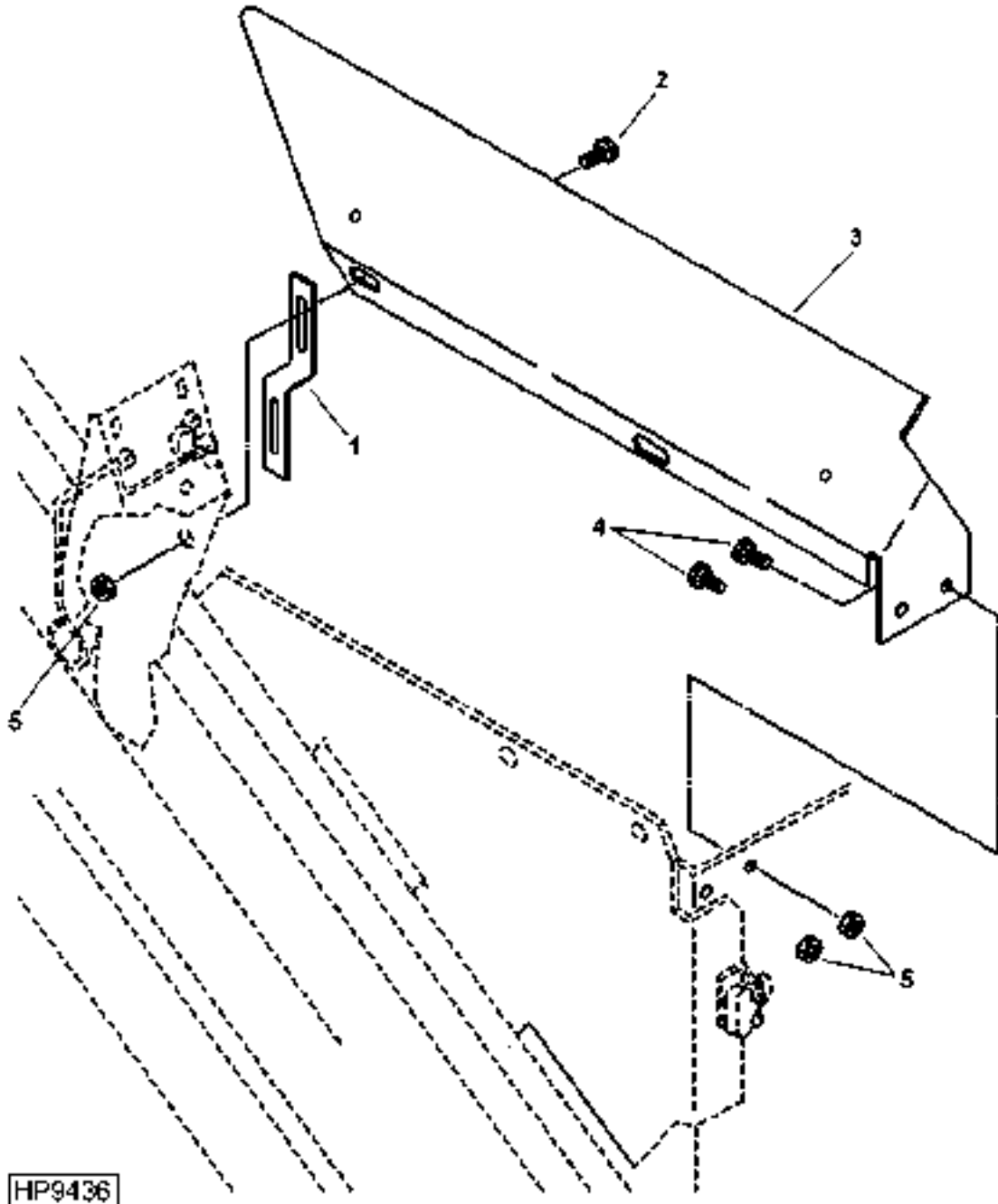
## UPPER REAR TAILINGS SHEILD - CONTINUED

KEY	PART NO.	PART NAME	QTY	SERIAL NO.	REMARKS
1	19M7866	SCREW	1	M8 X 20	
2	14M7298	FLANGE NUT	1	M8	
3	H158629	SHIELD	1		
4	19M7803	SCREW	1	M8 X 70	
5	H158615	ANGLE	1		
6	19M7865	SCREW	2	M8 X 16	
7	24M7207	WASHER	1	8.400 X 24 X 2 MM	
8	H158638	BRACE	1		

# 6E14

RESIDUE DISPOSAL

REAR LEFT SIDE TAILINGS SHIELD  
HP9436 -UN-15DEC99



HP9436

# 6E15

RESIDUE DISPOSAL

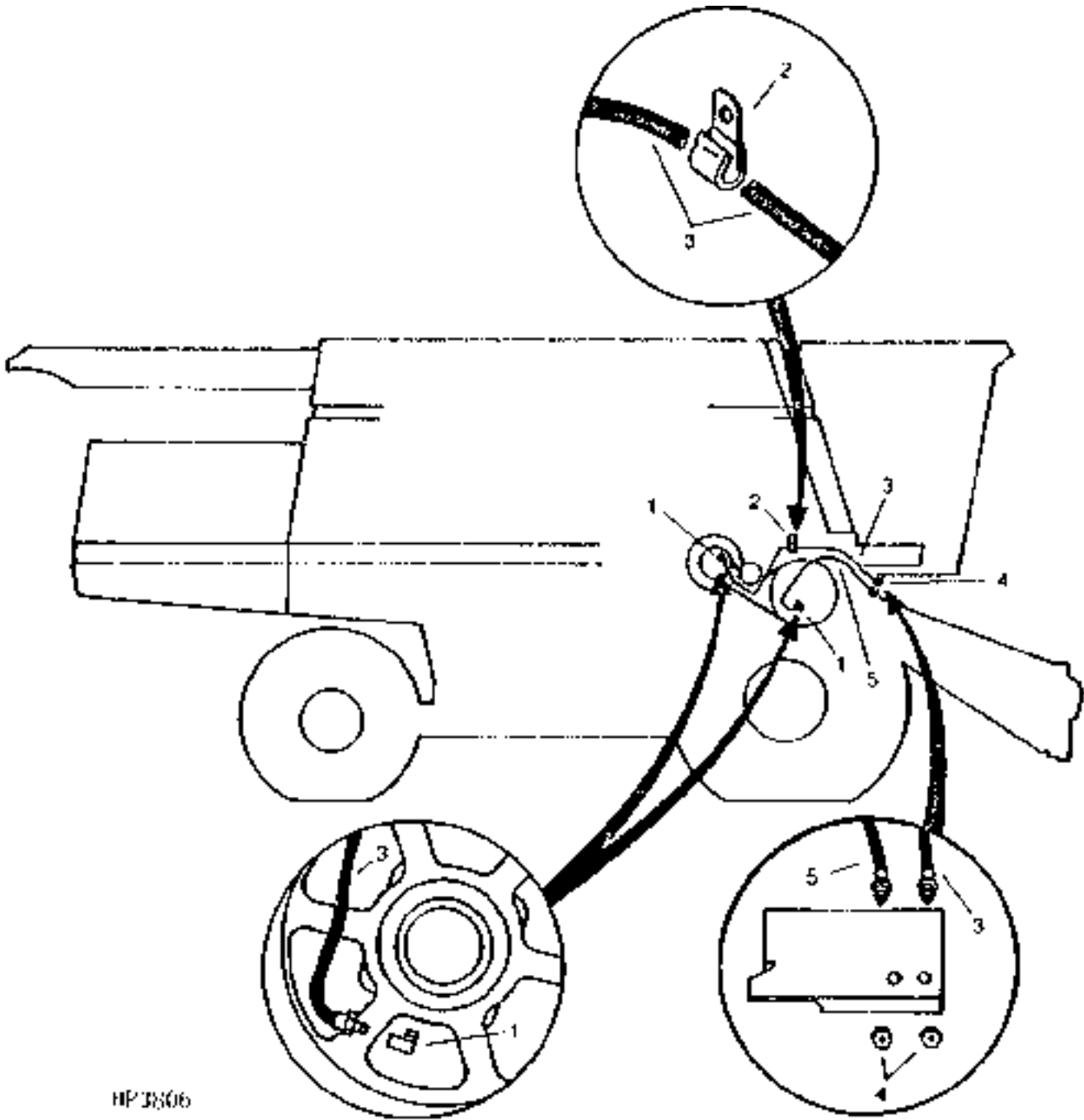
## REAR LEFT SIDE TAILINGS SHIELD - CONTINUED

KEY	PART NO.	PART NAME	QTY	SERIAL NO.	REMARKS
1	H163757	BRACKET	1		
2	19M7866	SCREW	1	M8 X 20	
3	H164556	SHIELD	1	(SUB FOR H160804) L.H. REAR	
4	19M7865	SCREW	2	M8 X 16	
5	14M7298	FLANGE NUT	3	M8	

# 6E16

RESIDUE DISPOSAL

LUBE HOSES R.H.  
HP3806 -UN-01JAN94



HP3806

# 6E17

RESIDUE DISPOSAL

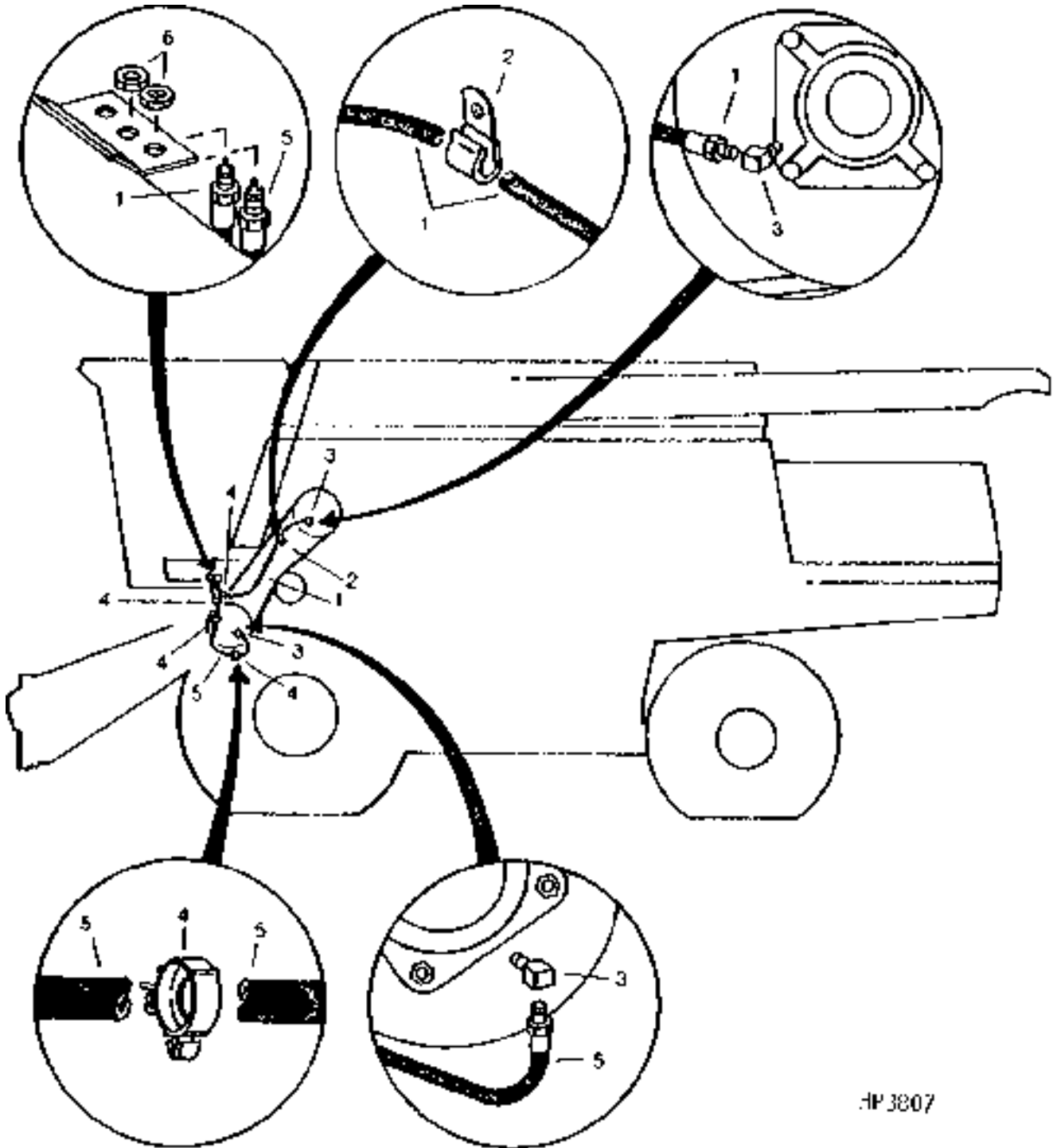
## LUBE HOSES R.H. - CONTINUED

KEY	PART NO.	PART NAME	QTY	SERIAL NO.	REMARKS
1	JD7845	ELBOW FITTING	2		
2	AH96317	CLIP	1		
3	AH121007	HOSE	1		
4	E12379	NUT	2	3.175 MM	
5	AH121009	HOSE	1	1/8" X 910 MM (35-3/4") X 1/8"	

# 6E18

RESIDUE DISPOSAL

LUBE HOSES L.H.  
HP3807 -UN-01JAN94



HP 3807

# 6E19

RESIDUE DISPOSAL

## LUBE HOSES L.H. - CONTINUED

KEY	PART NO.	PART NAME	QTY	SERIAL NO.	REMARKS
1	AH121009	HOSE	1		1/8" X 910 MM (35-3/4") X 1/8"
2	AH96317	CLIP	1		
3	JD7845	ELBOW FITTING	2		
4	H140149	HOLD-DOWN CLIP	4		
5	AH121009	HOSE	1		1/8" X 910 MM (35-3/4") X 1/8"
6	E12379	NUT	2		3.175 MM

# 6E20

RESIDUE DISPOSAL

## METRIC KEY STOCK KIT

KEY	PART NO.	PART NAME	QTY	SERIAL NO.	REMARKS
..	.....	SHAFT KEY	3		5 X 305MM SQUARE (IN AH141142 KEY STOCK KIT) (CUT FROM H150267)
..	.....	SHAFT KEY	3		6 X 305MM SQUARE (IN AH141142 KEY STOCK KIT) (CUT FROM H150268)
..	.....	SHAFT KEY	1		8 X 305MM SQUARE (IN AH141142 KEY STOCK KIT) (CUT FROM H150275)
..	.....	SHAFT KEY	2		8 X 7 X 305MM RECTANGULAR (IN AH141142 KEY STOCK KIT) (CUT FROM H150269)
..	.....	SHAFT KEY	1		10 X 8 X 305 MM RECTANGULAR (IN AH141142 KEY STOCK KIT) (CUT FROM H150270)
..	.....	SHAFT KEY	1		12 X 8 X 305MM RECTANGULAR (IN AH141142 KEY STOCK KIT) (CUT FROM H150271)
..	.....	SHAFT KEY	1		14 X 8 X 305MM RECTANGULAR (IN AH141142 KEY STOCK KIT) (CUT FROM H150272)
..	AH141142	SHAFT KEY	1		

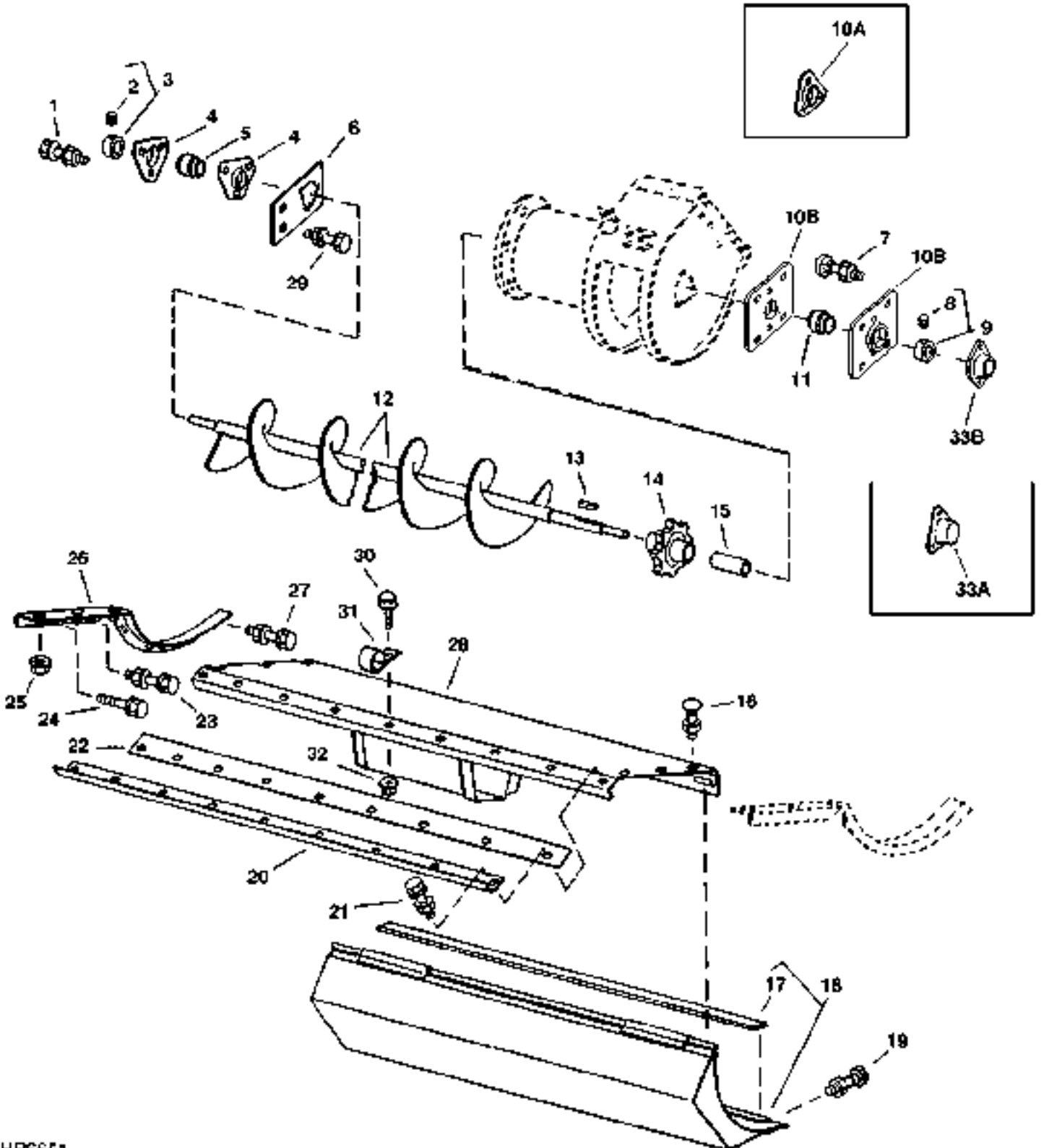


MEMORANDA

# 6E23

CLEAN GRAIN ELEVATOR, GRAIN TANK AND UNLOADING AUGER

CLEAN GRAIN LOWER AUGER AND HINGED DOOR  
HP6651 -UN-07MAR97



HP6651

# 6E24

CLEAN GRAIN ELEVATOR, GRAIN TANK AND UNLOADING AUGER

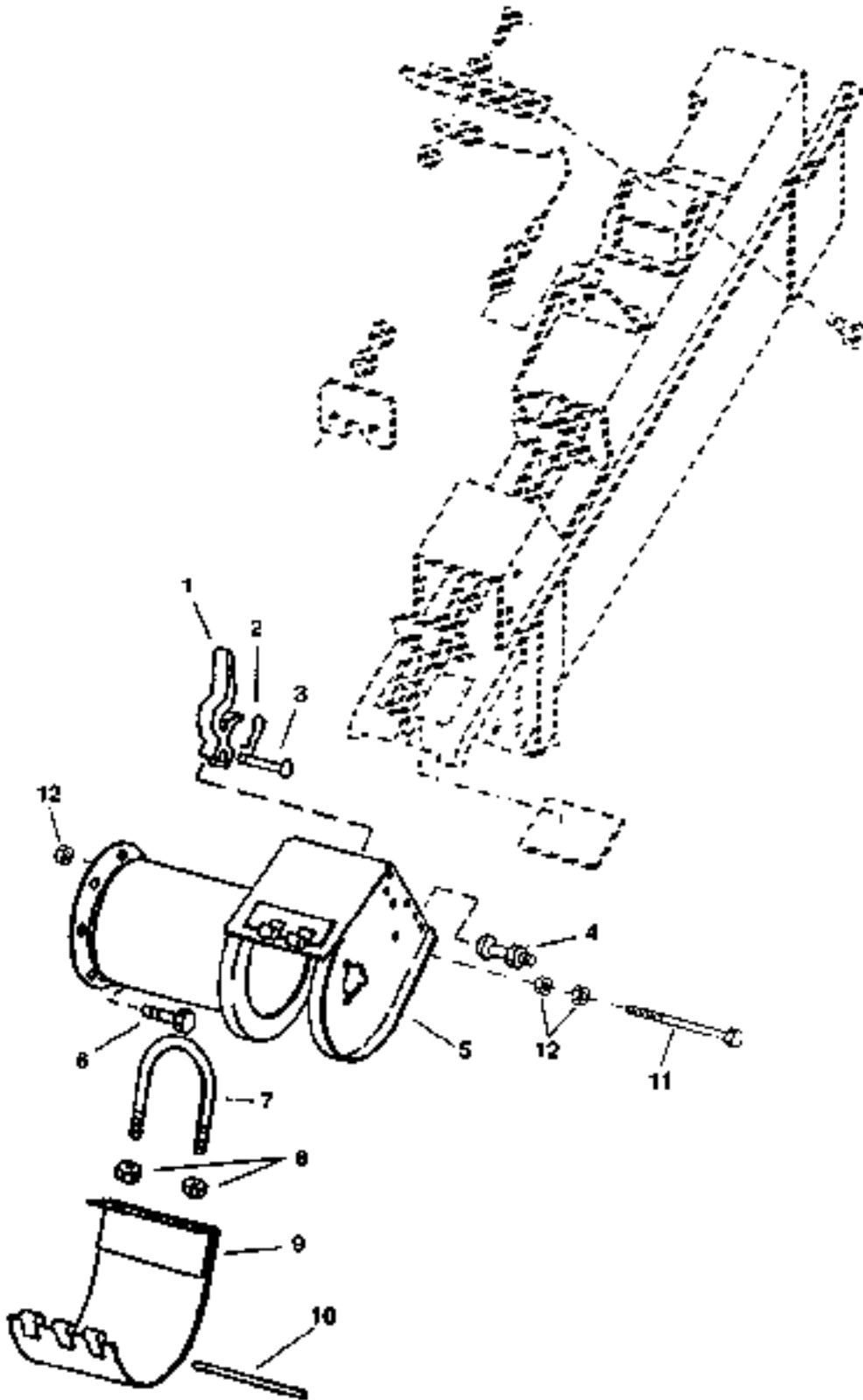
## CLEAN GRAIN LOWER AUGER AND HINGED DOOR - CONTINUED

KEY	PART NO.	PART NAME	QTY	SERIAL NO.	REMARKS
1	19M7867	SCREW	3		M8 X 25
	14M7298	FLANGE NUT	3		M8
2	22M7079	SET SCREW	1		M6 X 6
3	AZ10044	ECCENTRIC LOCKING COLLAR	1		
4	H103264	PRESSED FLANGED HOUSING	2		
5	JD39102	BALL BEARING	1		
6	H132539	COVER	1		
7	03M7190	BOLT	3		M10 X 20, (SUB 03M7193 AND Z38380)
	24H1307	WASHER	3		13/32" X 1" X 1/16", (SUB Z36140 AND Z38380)
	14M7296	FLANGE NUT	3		M10
	03M7193	BOLT	3		M10 X 35
	Z36140	WASHER	3		
	14M7296	FLANGE NUT	3		M10
8	22M7080	SET SCREW	1		M8 X 8
9	AZ10045	ECCENTRIC LOCKING COLLAR	1		
10A	E10018	PRESSED FLANGED HOUSING	2	-670400	
10B	H152916	PRESSED FLANGED HOUSING	2	670401-	
11	JD39103	BALL BEARING	1		
12	AH141577	FLIGHT	1		(SUB FOR AH133373) INCLUDES (1) N109389 COLLAR
	N109389	BUSHING	1		
13	.....	SHAFT KEY	1		8 X 7 X 40 MM (IN AH141142 KEY STOCK KIT) (CUT FROM H150269)
14	H133143	CHAIN SPROCKET	1		
15	H150117	SPACER	1		(SUB FOR H138592)
16	03M7183	BOLT	3		M8 X 16
	14M7298	FLANGE NUT	3		M8
17	H88773	ISOLATOR	AR		CUT TO 1290 MM, 50-3/4".
18	AH139388	DOOR	1		PLAIN
	AH139389	DOOR	1		PERFORATED
	AH139391	DOOR	1		PLAIN, WITH PROTECTIVE PLATE
19	19M7799	SCREW	5		M8 X 45
	14M7396	LOCK NUT	5		M8
20	H134308	REINFORCEMENT	1		
21	19M7866	SCREW	8		M8 X 20
	14M7298	FLANGE NUT	8		M8
22	H75952	SEAL	1		
23	19M7865	SCREW	2		M8 X 16
	14M7298	FLANGE NUT	2		M8
24	19M7865	SCREW	1		M8 X 16, INTO WELDNUT
25	14M7298	FLANGE NUT	3		M8
26	AH122506	REINFORCEMENT	1		
27	19M7802	SCREW	3		M8 X 65
	14M7298	FLANGE NUT	3		M8
28	AH117277	HINGE	1		
29	19M7865	SCREW	2		M8 X 16
	14M7298	FLANGE NUT	2		M8
30	19M7865	SCREW	1		M8 X 16
31	AH77884	CLIP	1		
32	14M7298	FLANGE NUT	1		M8
33A	Z38380	GUARD	1	-670400	
33B	H155968	COVER	1	670401-	

# 6F1

CLEAN GRAIN ELEVATOR, GRAIN TANK AND UNLOADING AUGER

CLEAN GRAIN LOWER ELEVATOR AND CONVEYOR CHAIN  
HP6653 -UN-07MAR97



HP6653

# 6F2

## CLEAN GRAIN ELEVATOR, GRAIN TANK AND UNLOADING AUGER

### CLEAN GRAIN LOWER ELEVATOR AND CONVEYOR CHAIN - CONTINUED

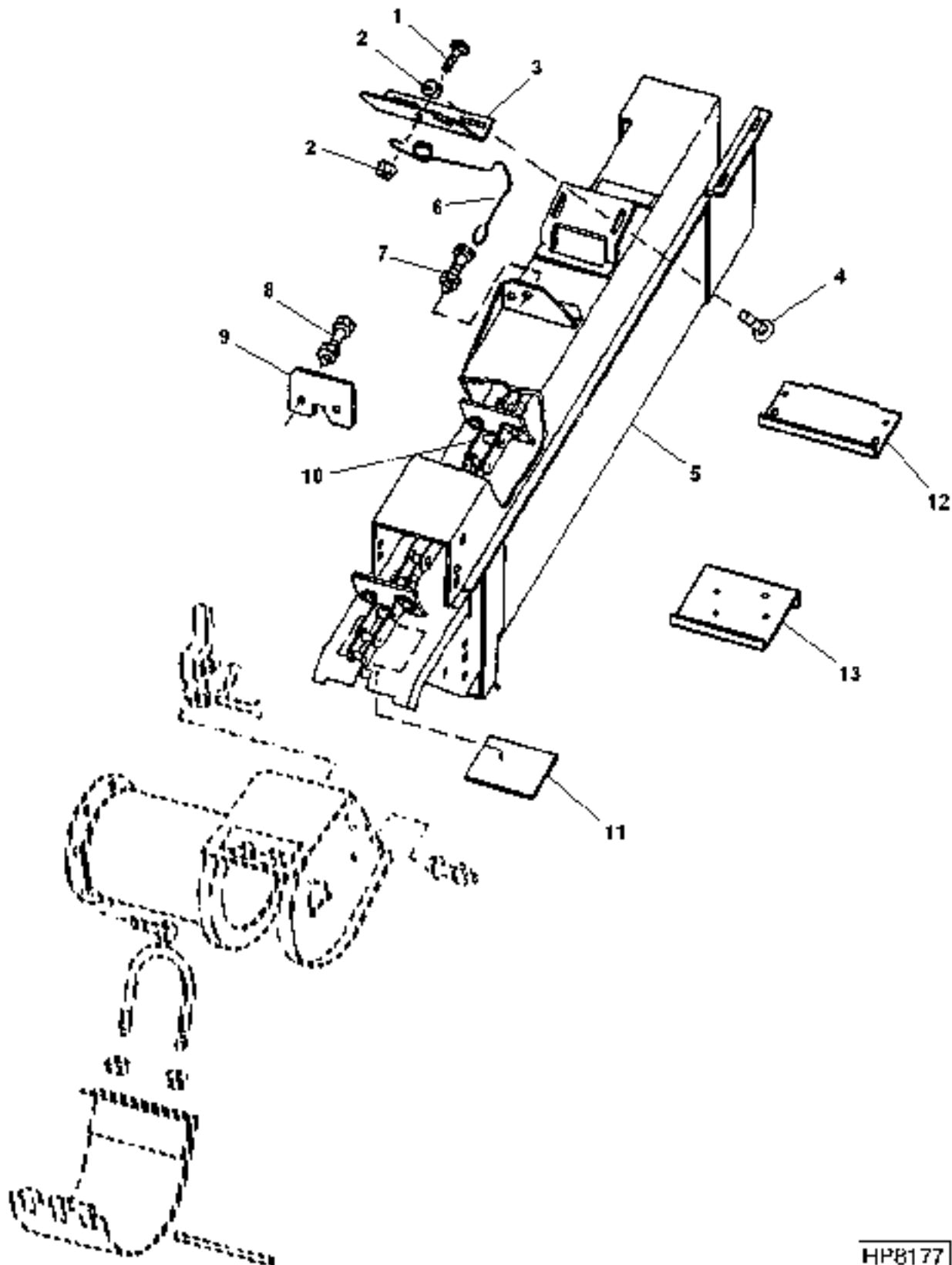
KEY	PART NO.	PART NAME	QTY	SERIAL NO.	REMARKS
1	H101297	LEVER	1		
2	11M7081	COTTER PIN	1		2.500 X 20 MM
	11M1383	COTTER PIN	1		3.200 X 20 MM, (SUB FOR 11H211) (STAINLESS STEEL)
3	RV810A	PIN	14		
4	03M7251	BOLT	14		M6 X 12
	14M7303	FLANGE NUT	14		M6
5	AH149182	BOOT	1		(SUB FOR AH136485)
6	19M7865	SCREW	8		M8 X 16, (STANDARD)
	37M7058	SCREW	8		M8 X 20
7	H128877	U-BOLT	1		
8	14M7396	LOCK NUT	2		M8
9	AH129357	DOOR	1		(STANDARD)
10	H75985	DOWEL PIN	1		
11	19M8241	CAP SCREW	1	670401-	M10 X 100
12	14M7296	FLANGE NUT	3	670401-	M10

# 6F3

CLEAN GRAIN ELEVATOR, GRAIN TANK AND UNLOADING AUGER

CLEAN GRAIN LOWER ELEVATOR AND CONVEYOR CHAIN

HP8177 -UN-19JAN99



HP8177

# 6F4

## CLEAN GRAIN ELEVATOR, GRAIN TANK AND UNLOADING AUGER

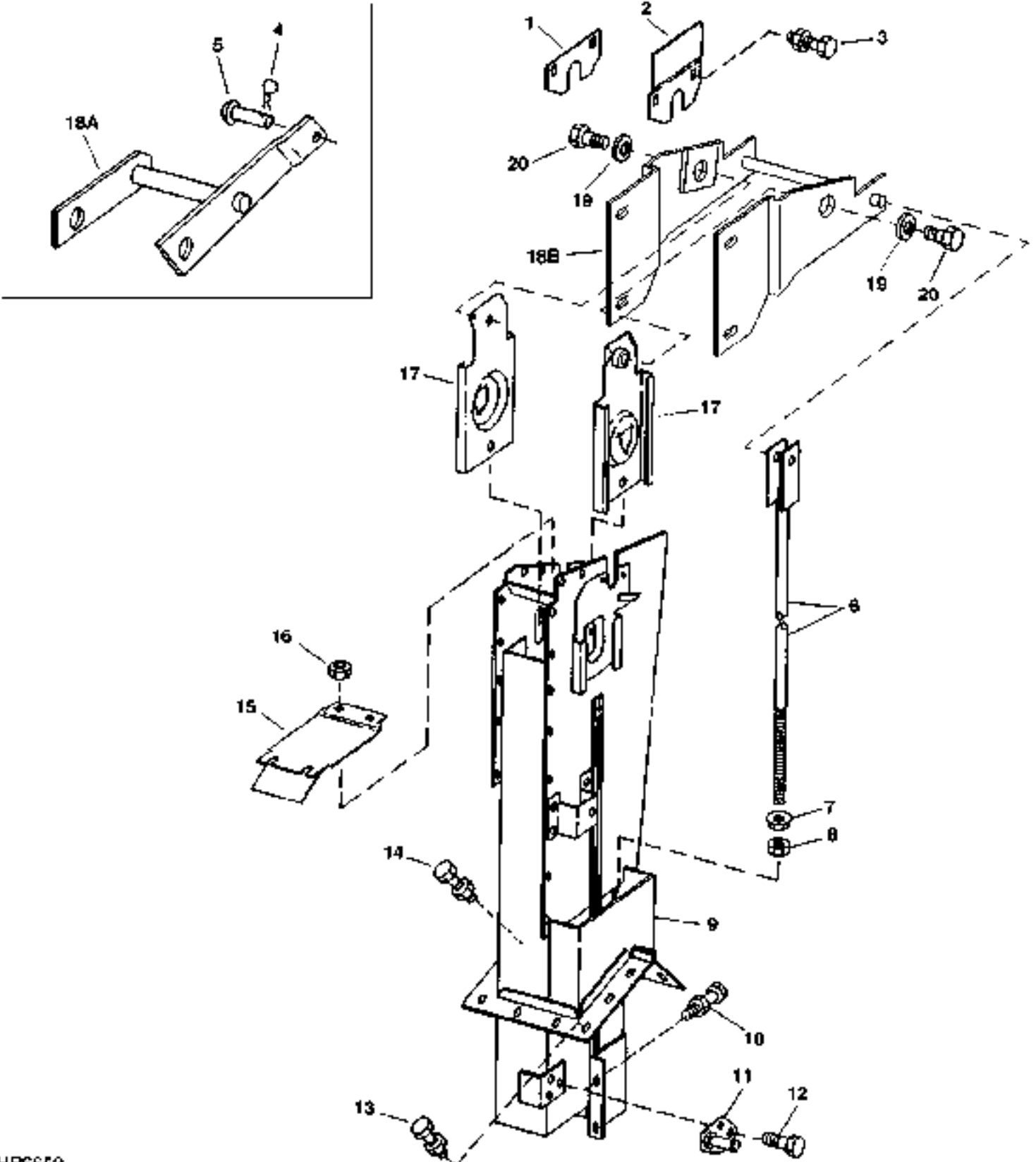
### CLEAN GRAIN LOWER ELEVATOR AND CONVEYOR CHAIN - CONTINUED

KEY	PART NO.	PART NAME	QTY	SERIAL NO.	REMARKS
1	19M7784	SCREW	1		M10 X 20
2	14M7296	FLANGE NUT	3		M10
3	H129389	BRACKET	1		
4	03M7190	BOLT	2		M10 X 20
5	AH156594	ELEVATOR	1		(SUB FOR AH142197, AH149200 OR AH156808)
	AH156595	ELEVATOR	1		(SUB FOR AH135668, AH141848, AH142201, AH149201 OR AH156809) STAINLESS STEEL
6	H130930	SPRING	1		
7	19M7784	SCREW	1		M10 X 20
	14M7296	FLANGE NUT	1		M10
8	H144971	BOLT	2		3/8", FOR STEEL CLEANING PADDLES
	12H11	LOCK WASHER	2		3/8", FOR STEEL CLEANING PADDLES
	14H255	NUT	2		3/8", FOR STEEL CLEANING PADDLES
	AH138947	KIT	AR		(INCLUDES (2) H144971 BOLTS, (2) 12H11 LOCK WASHERS AND (2) 14H255 NUTS) REPLACES RIVETS IN RUBBER PADDLES
9	H132227	PADDLE	1		(STEEL CLEANING)
10	AH132806	LINK CHAIN	1	-670400	(CA-550 ROLLER CHAIN) (35 PADDLES)
	C10232	LINK	1		(ROLLER)
	AH137631	CHAIN LINK	1		(SUB FOR C10233) (OFFSET, WITH PIN)
	AC11779	PIN	1		
	C10263	TRACK CHAIN W/O SHOES	1		(COUPLER)
	AC14974	PIN	1		
	H137276	PADDLE	34		(RUBBER)
	AH162441	LINK CHAIN	1		(SUB FOR AH149320)
11	T37851	REINFORCEMENT	1		
12	PF80112	PLATE	1	19MAY7-	LESS GREENSTAR
13	PF80113	PLATE	1	19MAY7-	LESS GREENSTAR
..	03M7221	BOLT	8		M6 X 16, LESS GREENSTAR
..	14M7303	FLANGE NUT	8		M6, LESS GREENSTAR

# 6F5

CLEAN GRAIN ELEVATOR, GRAIN TANK AND UNLOADING AUGER

UPPER CLEAN GRAIN ELEVATOR  
HP6652 -UN-20MAR97



HP6652



# 6F6

## CLEAN GRAIN ELEVATOR, GRAIN TANK AND UNLOADING AUGER

### UPPER CLEAN GRAIN ELEVATOR - CONTINUED

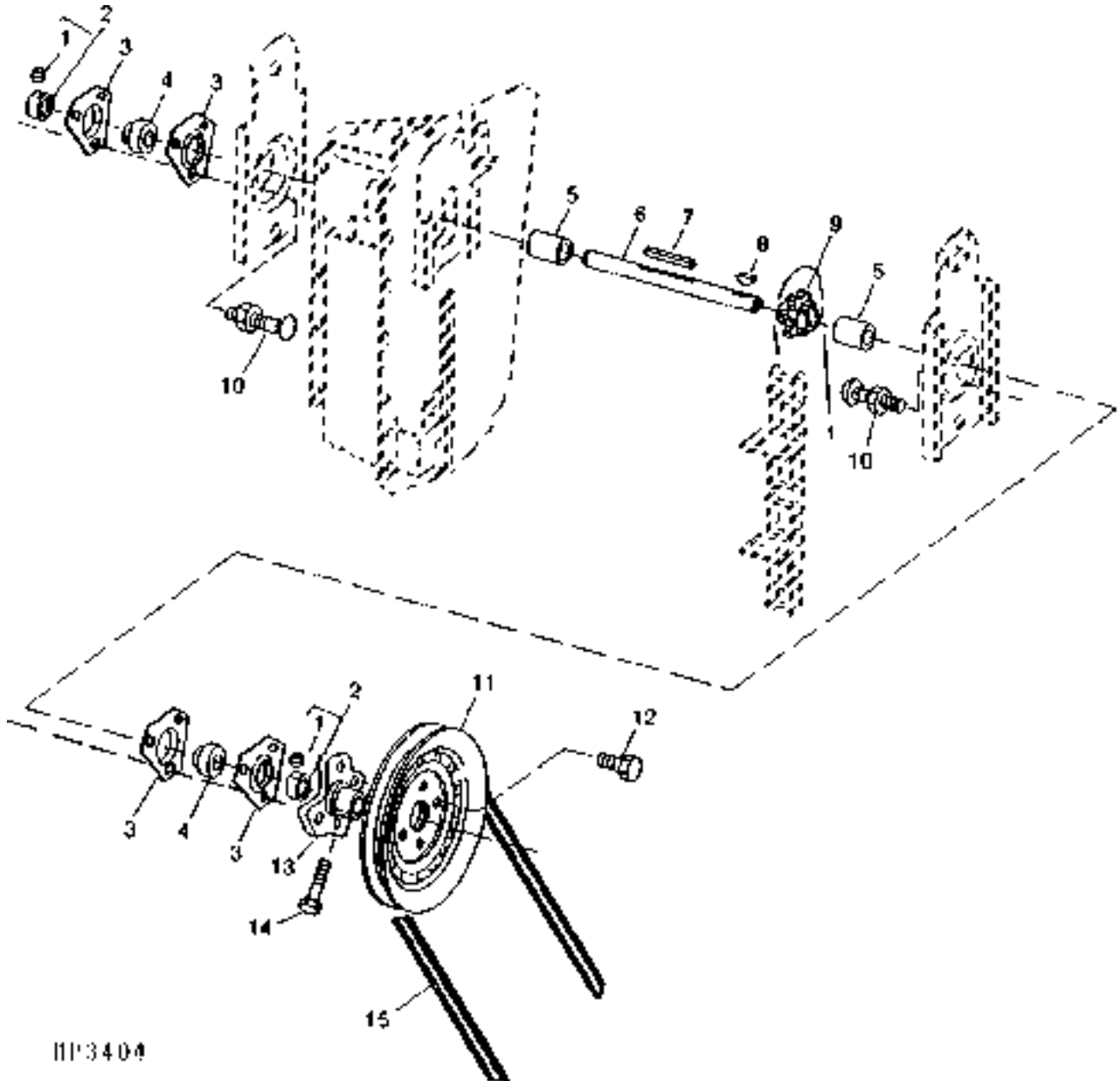
KEY	PART NO.	PART NAME	QTY	SERIAL NO.	REMARKS
1	H134286	SEAL	1		
2	H134287	SEAL	1		
3	03M7221	BOLT	AR		M6 X 16
	14M7303	FLANGE NUT	AR		M6
4	11M7081	COTTER PIN	1		2.500 X 20 MM
5	L1526N	PIN	1		
6	AH126354	YOKE	1	-670400	
7	14M7296	FLANGE NUT	1		M10
8	14M7274	NUT	1		M10
9	AH142188	ELEVATOR	1	-660400	(SUB FOR AH134705 OR AH141843) STAINLESS STEEL
	AH142185	ELEVATOR	1	660401-	
	AH153743	ELEVATOR	1	670401-	
	AH153744	ELEVATOR	1	670401-	
10	19M7785	SCREW	4		M10 X 25
	14M7296	FLANGE NUT	4		M10
11	AH156051	SPRING PIN	1		(SUB FOR AH109197)
12	19M7783	SCREW	3	-655611	M10 X 16
	37M7086	SCREW	3	655612-	M10 X 20
13	03M7186	BOLT	2	-655400	M8 X 30
	.....	BOLT	2	655401-	(WELDED)
	14M7298	FLANGE NUT	2		M8
14	03M7184	BOLT	12	-655400	M8 X 20
	.....	BOLT	12	655401-	(WELDED)
	14M7298	FLANGE NUT	12		M8
15	PF80105	DEFLECTOR	1	-670400	(SUB FOR AH135443 OR PF80021)
	PF80104	DEFLECTOR	1	670401-	(SUB FOR PF80001)
16	14M7298	FLANGE NUT	4		M8
17	AH130370	BRACKET	2		
18A	AH134669	LEVER	1	-670400	
18B	AH149242	BRACKET	1	670401-	
19	24H1710	WASHER	2		13/32" X 2" X 0.065"
20	19M7865	SCREW	2		M8 X 16

# 6F7

CLEAN GRAIN ELEVATOR, GRAIN TANK AND UNLOADING AUGER

## UPPER CLEAN GRAIN ELEVATOR SHAFT, SPROCKET AND SHEAVE

HP3404 -UN-01JAN94



HP3404

# 6F8

CLEAN GRAIN ELEVATOR, GRAIN TANK AND UNLOADING AUGER

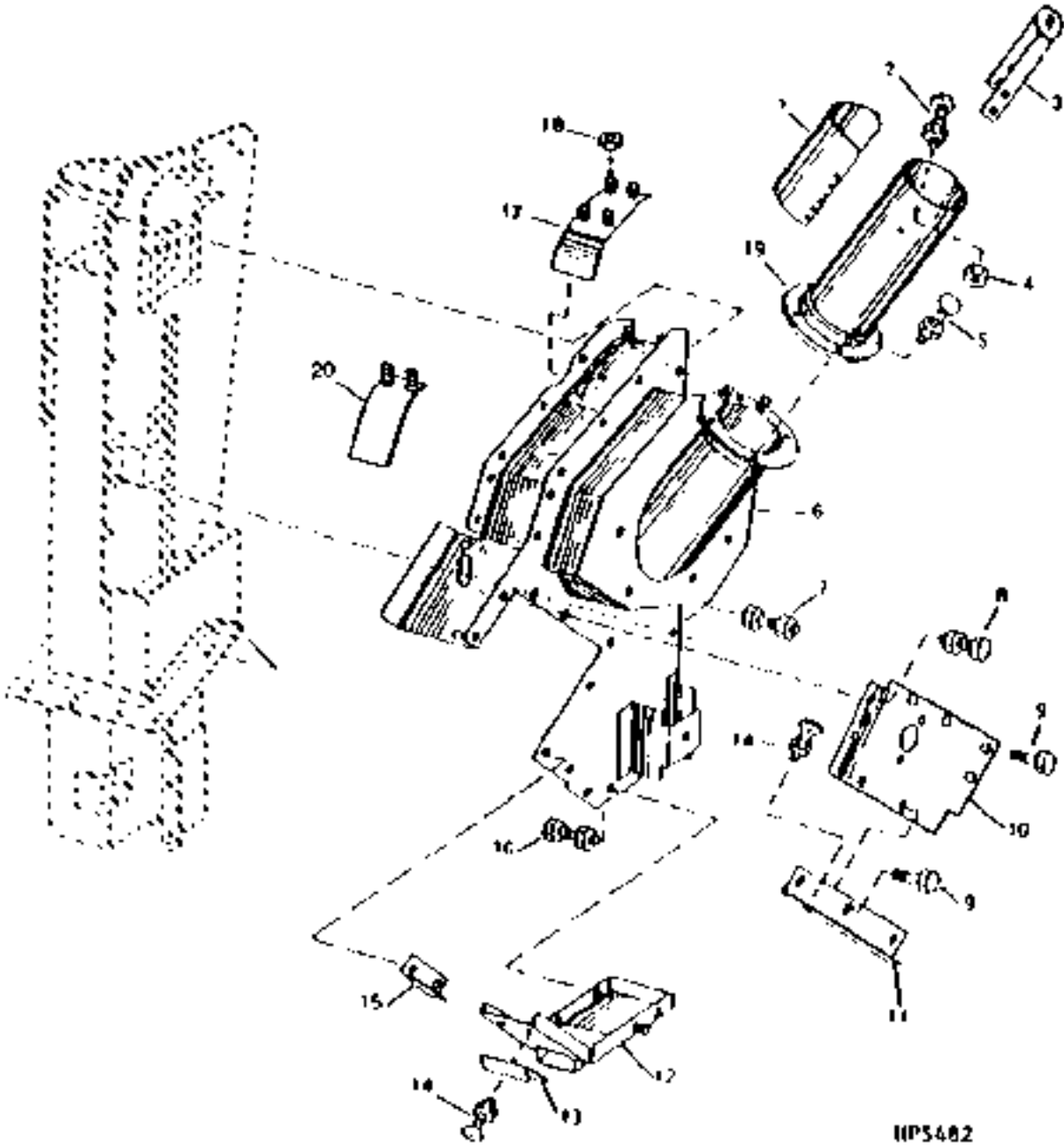
## UPPER CLEAN GRAIN ELEVATOR SHAFT, SPROCKET AND SHEAVE - CONTINUED

KEY	PART NO.	PART NAME	QTY	SERIAL NO.	REMARKS
1	22M7080	SET SCREW	2		M8 X 8
2	AZ10045	ECCENTRIC LOCKING COLLAR	2		
3	E10018	PRESSED FLANGED HOUSING	4		
4	JD39103	BALL BEARING	2		
5	H128890	SPACER	2		
6	H135713	SHAFT	1		
7	.....	SHAFT KEY	1	-670400	8 X 7 X 50 MM (IN AH141142 KEY STOCK KIT) (CUT FROM H150269)
	49M6480	SHAFT KEY	1	670401-	8 X 7 X 50 MM
8	26M4228	SHAFT KEY	1		
9	H128576	CHAIN SPROCKET	1		8 TOOTH
10	03M7190	BOLT	6		M10 X 20
	14M7296	FLANGE NUT	6		M10
11	AH135463	SHEAVE	1		
12	19M7784	SCREW	4		M10 X 20
13	H134760	HUB	1		
14	19M7663	CAP SCREW	1		M8 X 70
15	H141167	BELT	1		

# 6F9

CLEAN GRAIN ELEVATOR, GRAIN TANK AND UNLOADING AUGER

UPPER CLEAN GRAIN LOADING AUGER HOUSING  
HP5482 -UN-01JAN94



# 6F10

## CLEAN GRAIN ELEVATOR, GRAIN TANK AND UNLOADING AUGER

### UPPER CLEAN GRAIN LOADING AUGER HOUSING - CONTINUED

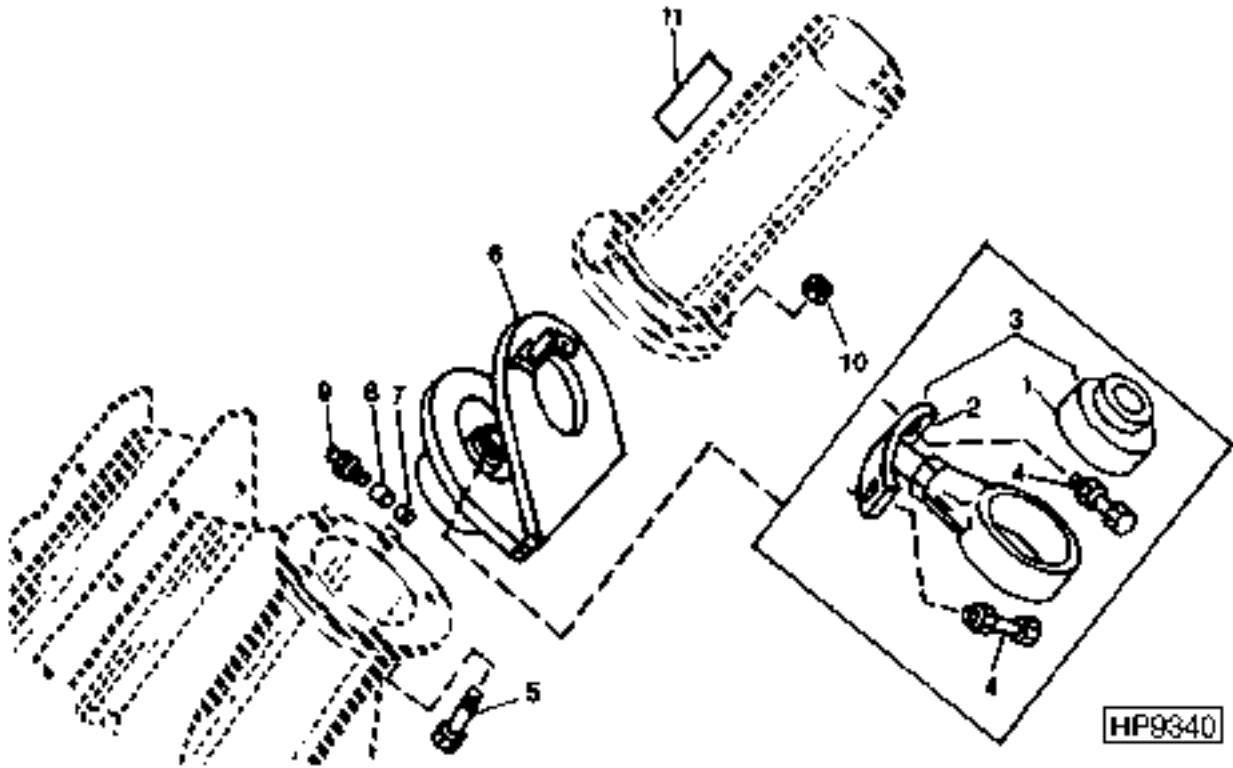
KEY	PART NO.	PART NAME	QTY	SERIAL NO.	REMARKS
1	H136095	DEFLECTOR	1	-22AP96	
2	03M7193	BOLT	4		M10 X 35
	14M7296	FLANGE NUT	4		M10
3	AH135439	SUPPORT	1		
4	14M7296	FLANGE NUT	4		M10
5	03M7185	BOLT	4		M8 X 25
	14M7298	FLANGE NUT	4		M8
6	AH149183	CHUTE	1		(SUB FOR AH135431) REGULAR STEEL
	AH149184	CHUTE	1		(SUB FOR AH135432) STAINLESS STEEL
7	19M7865	SCREW	9		M8 X 16
	14M7298	FLANGE NUT	9		M8
8	19M7866	SCREW	2		M8 X 20
	14M7298	FLANGE NUT	2		M8
9	19M7783	SCREW	8	-655611	M10 X 16
	37M7086	SCREW	8	655612-	M10 X 20
10	AH135441	PANEL	1		
11	H141033	ANGLE	1		
12	AH131550	DUST SHIELD	1		
13	H135538	ANGLE	1		
14	03M7183	BOLT	3		M8 X 16
	14M7298	FLANGE NUT	3		M8
15	H140096	ANGLE	1		
16	19M7865	SCREW	3		M8 X 16
	14M7298	FLANGE NUT	3		M8
17	AH135440	PLATE	1		
18	14M7298	FLANGE NUT	4		M8
19	AH135444	HOUSING	1		(REGULAR)
	AH135445	HOUSING	1		(STAINLESS STEEL)
20	AH142630	HOOD	1		(SUB FOR AH143356)

# 6F11

CLEAN GRAIN ELEVATOR, GRAIN TANK AND UNLOADING AUGER

## FOLDING UPPER CLEAN GRAIN LOADING AUGER HOUSING

(660401- )  
HP9340 -UN-23NOV99



KEY	PART NO.	PART NAME	QTY	SERIAL NO.	REMARKS
1	AH146222	BEARING	1	-660432	(SUB AH146221)
2	AH146218	HANGER	1		
3	AH146221	BEARING	1		INCLUDES HANGER
4	19M7867	SCREW	2		M8 X 25
	14M7298	FLANGE NUT	2		M8
5	03M7185	BOLT	4		M8 X 25
6	AH146216	HINGE	1		
7	29H31	THREADED NIPPLE	1		
8	15H73	COUPLING	1		
9	JD7759	LUBRICATION FITTING	1		
10	14M7298	FLANGE NUT	4		M8
11	H151397	SIGN	1		

# 6F12

CLEAN GRAIN ELEVATOR, GRAIN TANK AND UNLOADING AUGER

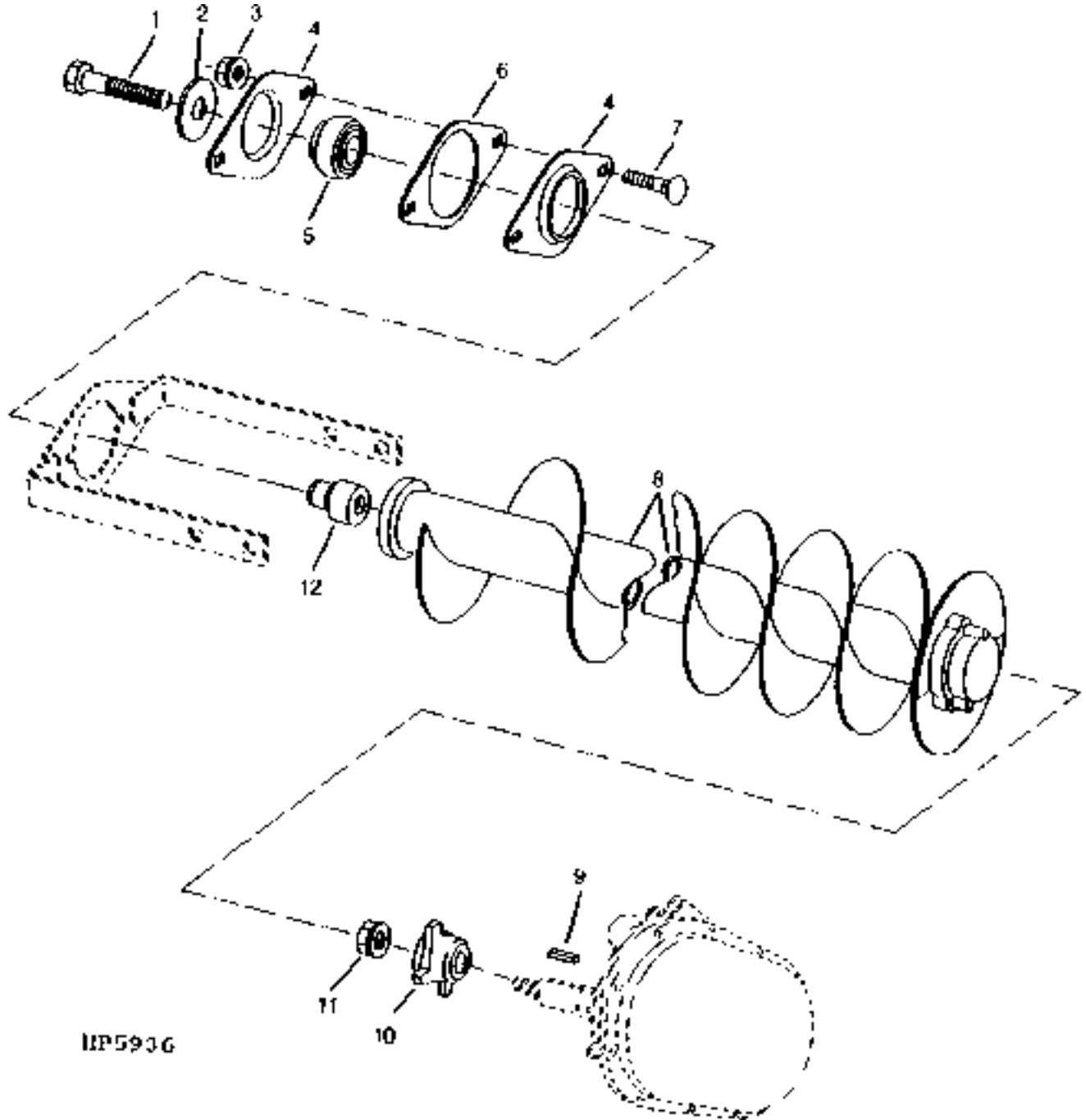
**FOLDING UPPER CLEAN GRAIN LOADING AUGER HOUSING - CONTINUED (660401- )**

KEY	PART NO.	PART NAME	QTY	SERIAL NO.	REMARKS
1	AH146222	BEARING	1	-660432	(SUB AH146221)
2	AH146218	HANGER	1		
3	AH146221	BEARING	1		INCLUDES HANGER
4	19M7867	SCREW	2		M8 X 25
	14M7298	FLANGE NUT	2		M8
5	03M7185	BOLT	4		M8 X 25
6	AH146216	HINGE	1		
7	29H31	THREADED NIPPLE	1		
8	15H73	COUPLING	1		
9	JD7759	LUBRICATION FITTING	1		
10	14M7298	FLANGE NUT	4		M8
11	H151397	SIGN	1		
..	<b>BH80337</b>	<b>COMPLETE GOODS/SHIP. BUNDLE</b>	<b>1</b>		<b>FOLDING GRAIN TANK AUGER</b>
..	<b>BH81122</b>	<b>COMPLETE GOODS/SHIP. BUNDLE</b>	<b>1</b>		<b>FOLDING UPPER AUGER ASSEMBLY</b>
..	<b>BH81124</b>	<b>COMPLETE GOODS/SHIP. BUNDLE</b>	<b>1</b>		<b>LOWER AUGER ASSEMBLY</b>

# 6F13

CLEAN GRAIN ELEVATOR, GRAIN TANK AND UNLOADING AUGER

CLEAN GRAIN LOADING AUGER  
HP5936 -UN-26JUN95





# 6F14

## CLEAN GRAIN ELEVATOR, GRAIN TANK AND UNLOADING AUGER

### CLEAN GRAIN LOADING AUGER - CONTINUED

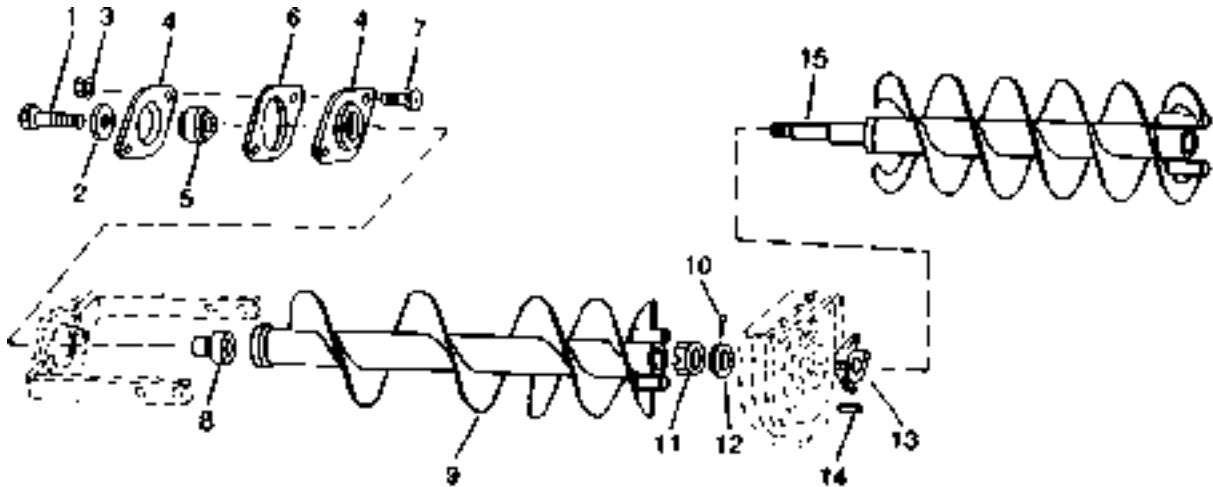
KEY	PART NO.	PART NAME	QTY	SERIAL NO.	REMARKS
1	19M7818	SCREW	1		M12 X 80
2	24M7180	WASHER	1		13 X 37 X 3 MM
3	14M7296	FLANGE NUT	2		M10
4	N15764	PRESSED FLANGED HOUSING	2		
5	JD9219	BALL BEARING	1		
6	H137916	SHIM	2		
7	03M7307	BOLT	2		M10 X 25
8	AH136635	AUGER	1		
9	.....	SHAFT KEY	1	-670400	6 X 32 MM (IN AH141142 KEY STOCK KIT) (CUT FROM H150268)
	49M4821	SHAFT KEY	1	670401-	6 X 32 MM
10	H136186	AUGER	1		
11	14M7291	FLANGE NUT	1		M16
12	H137919	BUSHING	1		

# 6F15

CLEAN GRAIN ELEVATOR, GRAIN TANK AND UNLOADING AUGER

## FOLDING CLEAN GRAIN LOADING AUGER

(660401- )  
HP5877 -UN-26JUN95



**HP5877**

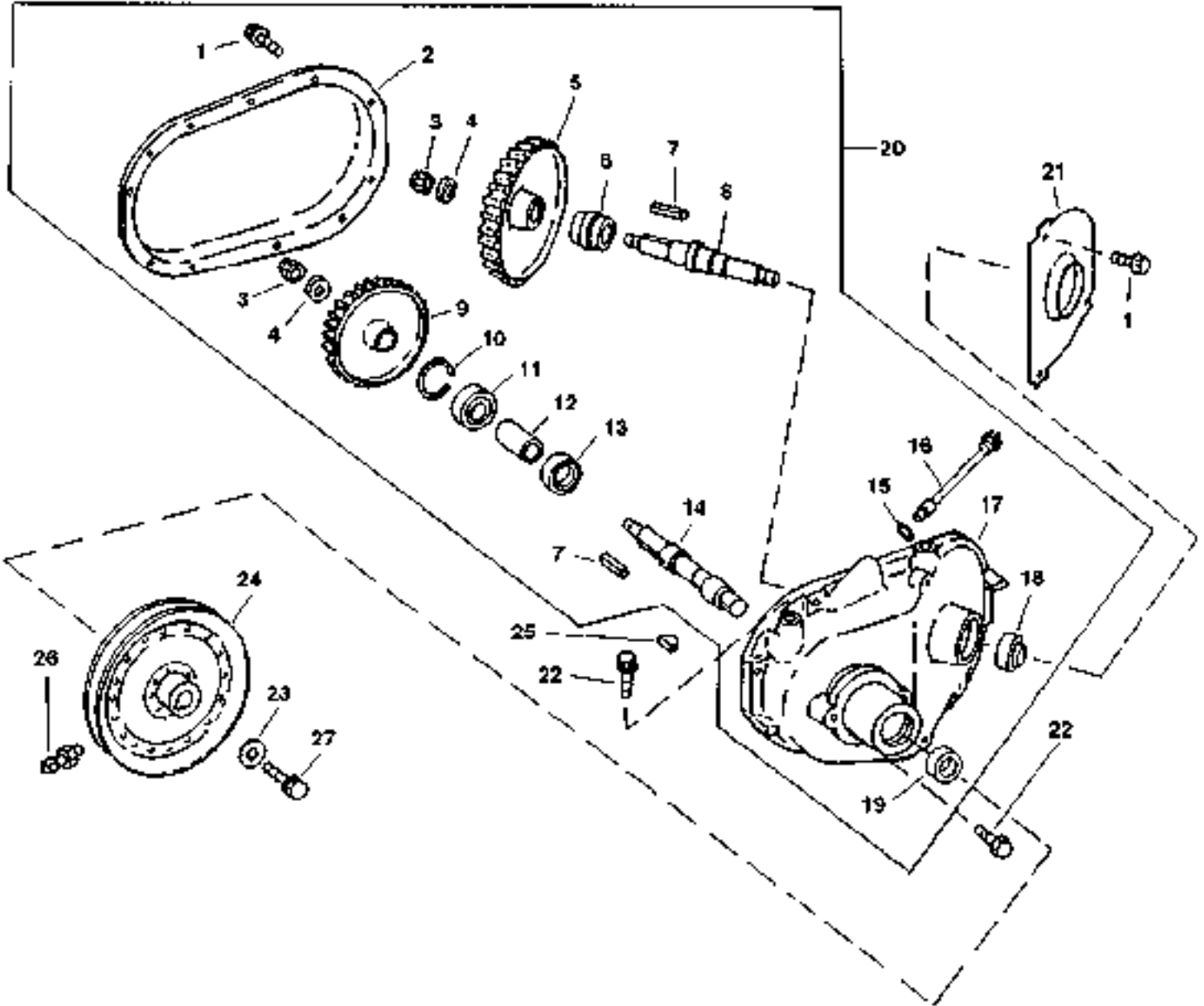
KEY	PART NO.	PART NAME	QTY	SERIAL NO.	REMARKS
1	19M7818	SCREW	1		M12 X 80
2	24M7180	WASHER	1		13 X 37 X 3 MM (0.512" X 1.457" X 0.118")
3	14M7296	FLANGE NUT	2		M10
4	N15764	PRESSED FLANGED HOUSING	2		
5	JD9219	BALL BEARING	1		
6	H137916	SHIM	2		
7	03M7307	BOLT	2		M10 X 25
8	H137919	BUSHING	1		
9	AH145568	FLIGHT	1	-665400	(SUB AH146509)
	AH146509	FLIGHT	1		(INCLUDES H137919 BUSHING AND 19M7818 SCREW)
10	11M7087	COTTER PIN	1		4 X 40 MM (0.157" X 1.575")
11	14M7205	NUT	1		M24
12	24M7091	WASHER	1		26 X 44 X 4 MM (1.024" X 1.732" X 0.157")
13	H136186	AUGER	1		
14	49M4821	SHAFT KEY	1		
15	AH146214	AUGER	1		
..	<b>BH80337</b>	<b>COMPLETE GOODS/SHIP. BUNDLE</b>	1		<b>FOLDING GRAIN TANK AUGER</b>
..	<b>BH81122</b>	<b>COMPLETE GOODS/SHIP. BUNDLE</b>	1		<b>FOLDING UPPER AUGER ASSEMBLY</b>
..	<b>BH81124</b>	<b>COMPLETE GOODS/SHIP. BUNDLE</b>	1		<b>LOWER AUGER ASSEMBLY</b>

MEMORANDA

# 6F16

CLEAN GRAIN ELEVATOR, GRAIN TANK AND UNLOADING AUGER

CLEAN GRAIN ELEVATOR GEARCASE AND SHEAVE  
HP6913 -UN-18AUG97



HP6913

# 6F17

CLEAN GRAIN ELEVATOR, GRAIN TANK AND UNLOADING AUGER

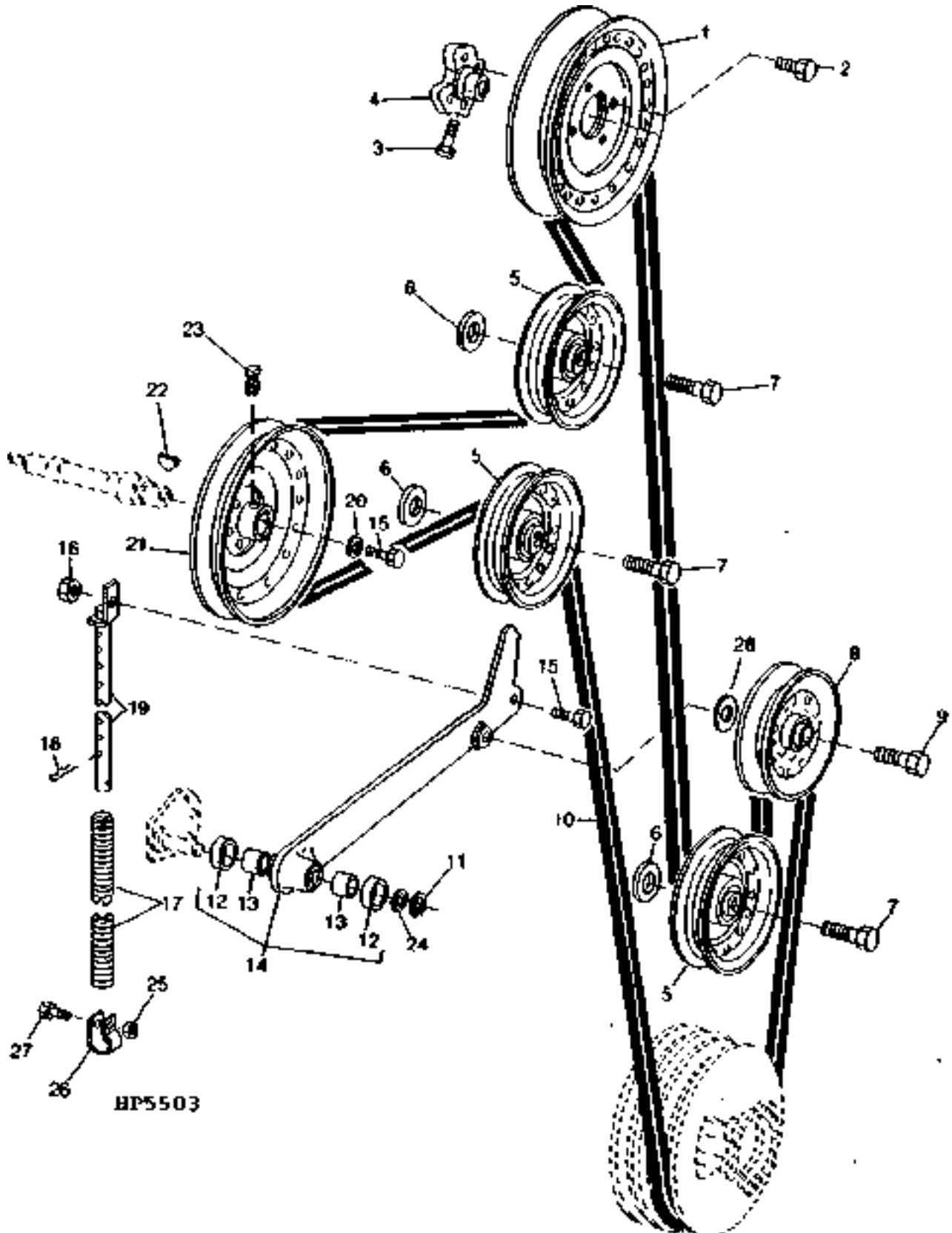
## CLEAN GRAIN ELEVATOR GEARCASE AND SHEAVE - CONTINUED

KEY	PART NO.	PART NAME	QTY	SERIAL NO.	REMARKS
1	19M7866	SCREW	14		M8 X 20
2	H135454	COVER	1		
3	W39621	NUT	2		M16
4	24H1825	WASHER	2		11/16" X 1-1/2" X 0.194"
5	H145316	BEVEL GEAR	1		(SUB FOR H135286) 53 TEETH
6	AE42998	BALL BEARING	1		(SUB FOR AH131873)
7	49M4821	SHAFT KEY	2		6 X 6 X 32 MM
8	H136209	SHAFT	1		
9	H145317	BEVEL GEAR	1		(SUB FOR H135287) 46 TEETH
10	P46874	SNAP RING	1		
11	JD7689	BALL BEARING	1		
12	28H3054	BUSHING	1		
13	JD7681	BALL BEARING	1		
14	H135452	SHAFT	1		(USE WITH AH140127)
	H170967	SHAFT	1		(USE WITH DE19111)
15	R26375	O-RING	1		
16	AH134598	DIPSTICK	1		
17	H135453	GEAR CASE	1		
18	AH131860	SEAL	1		
19	AH21815	SEAL	1		
20	AH140127	GEAR CASE	1		(SUB FOR AH131900 OR AH134858) (SUB DE19111) (ALSO ORDER AH164868, 26M7008 AND H170967)
	DE19111	GEAR CASE	1		
21	H137606	PLATE	1		
22	19M7789	SCREW	4		M12 X 30
23	24M7101	WASHER	1		11 X 34 X 3 MM, (SUB FOR 24H1730)
	24H1351	WASHER	1	668231-	14.275 X 38.100 X 4.166 MM
24	AH132372	SHEAVE	1		(USE WITH AH140127)
	AH164868	SHEAVE	1		(USE WITH DE19111)
25	26H85	SHAFT KEY	1		1/4" X 1", (USE WITH AH140127) (SUB FOR 26H22)
	26M7008	SHAFT KEY	1		8 X 28 MM, (USE WITH DE19111)
26	22H836	SET SCREW	2		3/8" X 1"
	14H732	NUT	2		3/8"
27	19M7786	SCREW	1		M10 X 30
..	TY15130	SEALANT	1		( 03 OZ. TUBE) (CANADA PART NO TY9484)

# 6F18

CLEAN GRAIN ELEVATOR, GRAIN TANK AND UNLOADING AUGER

CLEAN GRAIN ELEVATOR DRIVE TIGHTENER AND IDLER  
HP5503 -UN-01JAN94



HP5503

# 6F19

CLEAN GRAIN ELEVATOR, GRAIN TANK AND UNLOADING AUGER

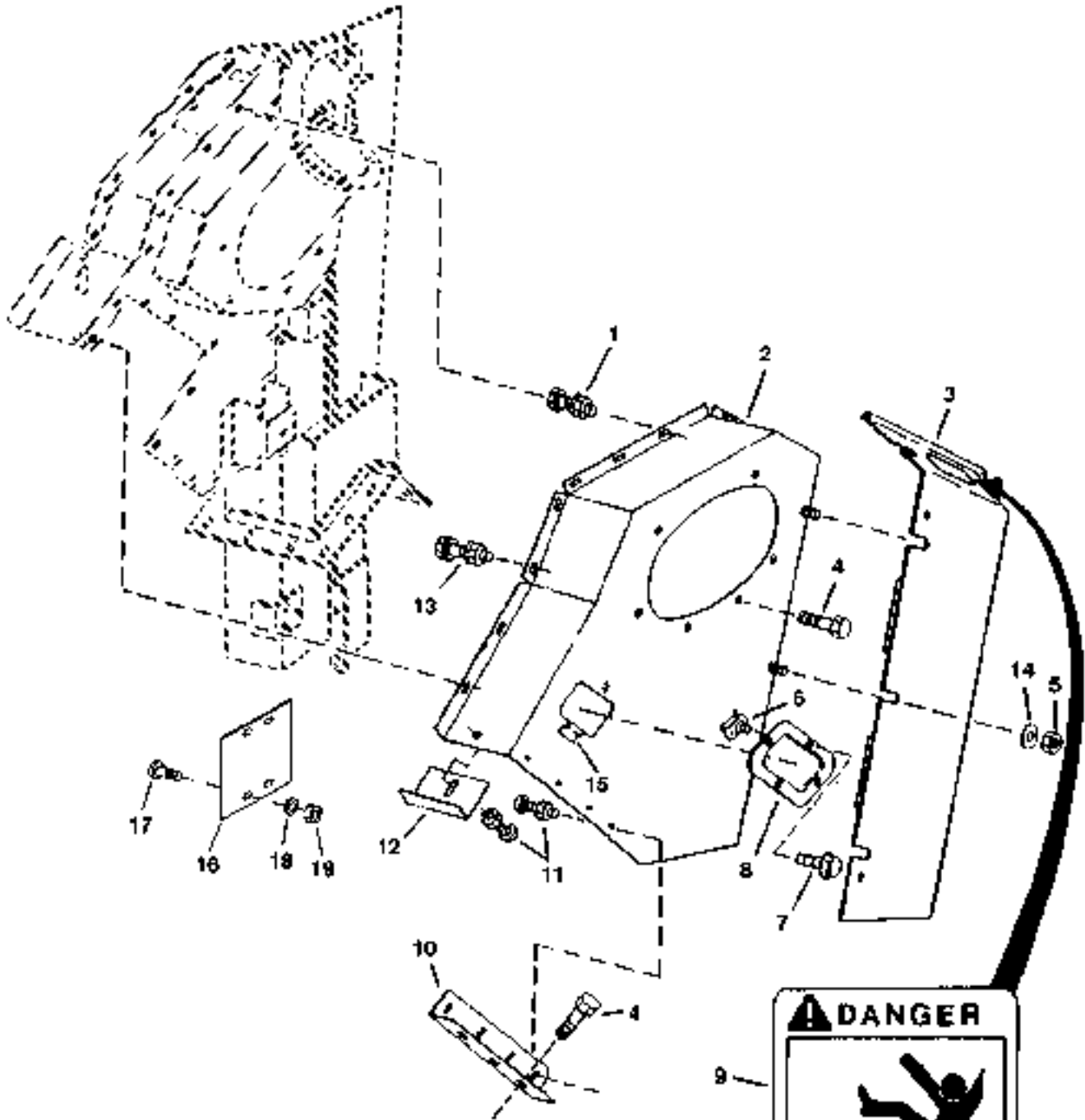
## CLEAN GRAIN ELEVATOR DRIVE TIGHTENER AND IDLER - CONTINUED

KEY	PART NO.	PART NAME	QTY	SERIAL NO.	REMARKS
1	AH135463	SHEAVE	1		CONVEYOR CHAIN
2	19M7784	SCREW	4		M10 X 20
3	19M7663	CAP SCREW	1		M8 X 70
4	H134760	HUB	1		
5	AH94450	IDLER	3		
6	24M7053	WASHER	3		17 X 30 X 3 MM
7	19M7824	SCREW	3		M16 X 60
8	AN15237	IDLER	1		
9	19M7844	SCREW	1		M16 X 45
10	H141167	BELT	1		
11	P46402	SNAP RING	1		
12	AA5607R	SEAL	2		
13	H99147	BUSHING	2		
14	AH135579	ARM	1		
15	19M7786	SCREW	2		M10 X 30
16	14M7517	LOCK NUT	1	-650400	M10
	A51212	LOCK NUT	1	650401-	M10
17	H129049	SPRING	1		
18	A3581R	SPRING LOCKING PIN	1		
19	AH124502	RETAINER	1		
20	24M7101	WASHER	1	-15AU96	11 X 34 X 3 MM, (SUB FOR 24H1730)
	24H1351	WASHER	1	15AU96-	14.275 X 38.100 X 4.166 MM
21	AH132372	SHEAVE	1		GEARCASE
22	26H22	SHAFT KEY	1		1/4" X 1"
23	22H836	SET SCREW	2		3/8" X 1"
	14H732	NUT	2		3/8"
24	24M7091	WASHER	1		26 X 44 X 4 MM
25	14M7303	FLANGE NUT	1		M6
26	H132088	CLAMP	1		
27	19M8321	SCREW	1		M6 X 45
28	24H1373	WASHER	2		21/32" X 1-9/16" X 0.180"

# 6F20

CLEAN GRAIN ELEVATOR, GRAIN TANK AND UNLOADING AUGER

UPPER CLEAN GRAIN ELEVATOR SHIELDS  
HP6654 -UN-07MAR97



HP6654



# 6F21

CLEAN GRAIN ELEVATOR, GRAIN TANK AND UNLOADING AUGER

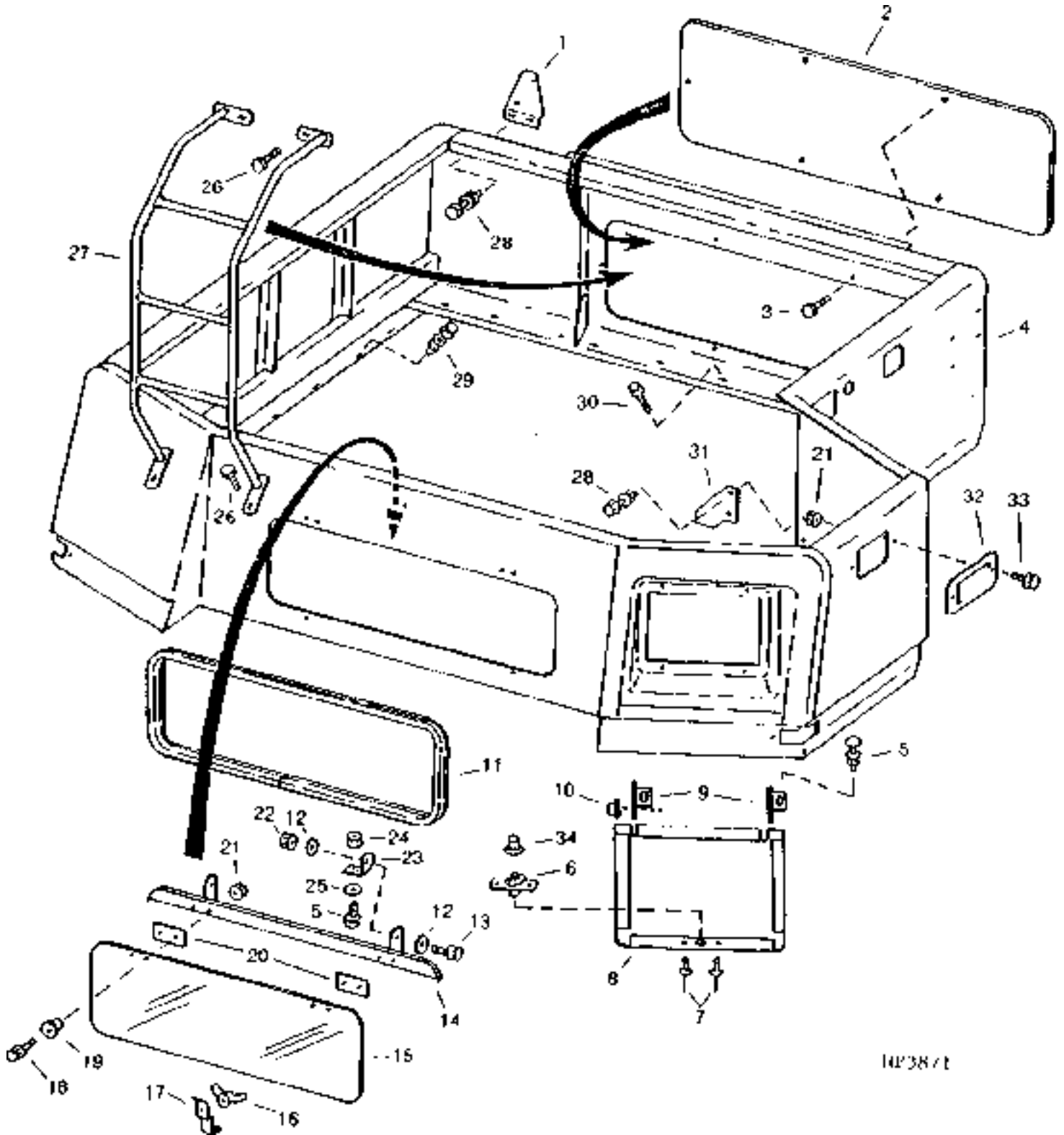
## UPPER CLEAN GRAIN ELEVATOR SHIELDS - CONTINUED

KEY	PART NO.	PART NAME	QTY	SERIAL NO.	REMARKS
1	19M7865	SCREW	5		M8 X 16
	14M7298	FLANGE NUT	5		M8
2	AH137257	SHIELD	1		
3	AH137256	SHIELD	1		
4	03M7183	BOLT	9		M8 X 16
	14M7298	FLANGE NUT	9		M8
5	14M7020	WING NUT	5		M8
6	M84972	NUT	1		
7	19M7774	SCREW	1		M6 X 12
8	H89569	DOOR	1		
9	H149062	DECAL	1		(SUB FOR H133638) "DANGER" ON REAR OF GRAIN TANK EXTENSION
10	H141044	ANGLE	1		
11	03M7183	BOLT	5		M8 X 16
	14M7298	FLANGE NUT	5		M8
12	H135590	ANGLE	1		
13	19M7866	SCREW	2		M8 X 20
	14M7298	FLANGE NUT	2		M8
	24M7207	WASHER	2	670401-	8.400 X 24 X 2 MM
14	24H1297	WASHER	3		11/32" X 2" X 0.065"
15	H82060	CLIP	1		
16	PF10026	PLATE	1	670401-	
17	03M7190	BOLT	2	670401-	M10 X 20
18	24M7228	WASHER	2	670401-	
19	14M7296	FLANGE NUT	2	670401-	M10

# 6F22

CLEAN GRAIN ELEVATOR, GRAIN TANK AND UNLOADING AUGER

GRAIN TANK TOP  
HP3871 -UN-01JAN94



14P3871

# 6F23

CLEAN GRAIN ELEVATOR, GRAIN TANK AND UNLOADING AUGER

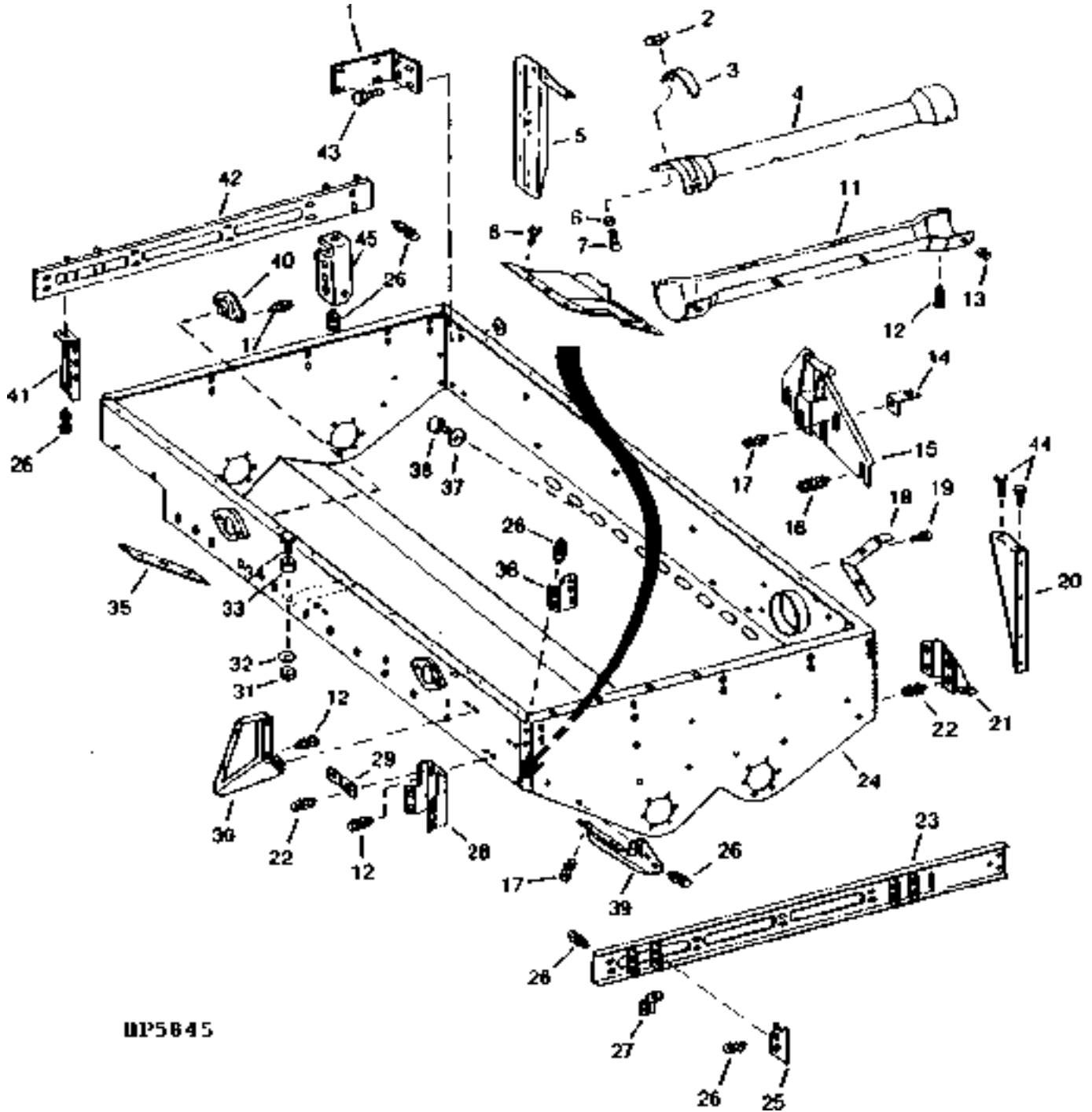
## GRAIN TANK TOP - CONTINUED

KEY	PART NO.	PART NAME	QTY	SERIAL NO.	REMARKS
1	H133584	BRACKET	1		
2	H127638	PANEL	1		
3	19M7865	SCREW	6		M8 X 16
4	AH158113	TANK	1		(SUB FOR AH134765 OR AH151880)
5	03M7183	BOLT	6		M8 X 16
	14M7298	FLANGE NUT	2		M8
6	AH125644	LATCH	1		
7	H64584	RIVET	2		
8	AH122507	DOOR	1		
9	H132024	HINGE	2		
10	H120499	NUT	2		
11	AH80335	WEATHERSTRIP	AR		
12	24H1290	WASHER	4	-650400	21/64" X 3/4" X 0.035"
	B27370	WASHER	4	650401-	8.330 X 19.050 X 0.910 MM
13	19M7866	SCREW	2		M8 X 20
14	AH126619	REINFORCEMENT	1		
15	H131675	WINDOWPANE	1		
16	14M7019	WING NUT	2		M6
17	H131674	LATCH	2		
18	19M7862	SCREW	4		M6 X 20
19	R50642	WASHER	4		0.265" X 0.390" X 0.354"
20	H131673	GASKET	2		
21	14M7303	FLANGE NUT	8		M6
22	14M7396	LOCK NUT	2		M8
23	H132542	ANGLE	2		
24	14M7298	FLANGE NUT	4		M8
25	M84309	NUT	4		7.925 MM, (SUB FOR H131531)
26	19M7866	SCREW	4		M8 X 20 M8
27	AH154920	LADDER	1		(SUB FOR AH128554) (SUB AH160622)
	AH160622	LADDER	1		
28	19M7866	SCREW	5		M8 X 20
	14M7298	FLANGE NUT	5		M8
29	19M7865	SCREW	13		M8 X 16
	14M7298	FLANGE NUT	13		M8
30	37M7058	SCREW	21		M8 X 20
31	H130262	PANEL	1		ROLLING THREAD
32	H132666	PLATE	2		
33	19M7774	SCREW	4		M6 X 12, USED ONLY WITHOUT ROW LIGHTS
34	H121391	KNOB	1		

# 6F24

CLEAN GRAIN ELEVATOR, GRAIN TANK AND UNLOADING AUGER

GRAIN TANK BASE  
HP5845 -UN-16SEP94



HP5845

# 6F25

CLEAN GRAIN ELEVATOR, GRAIN TANK AND UNLOADING AUGER

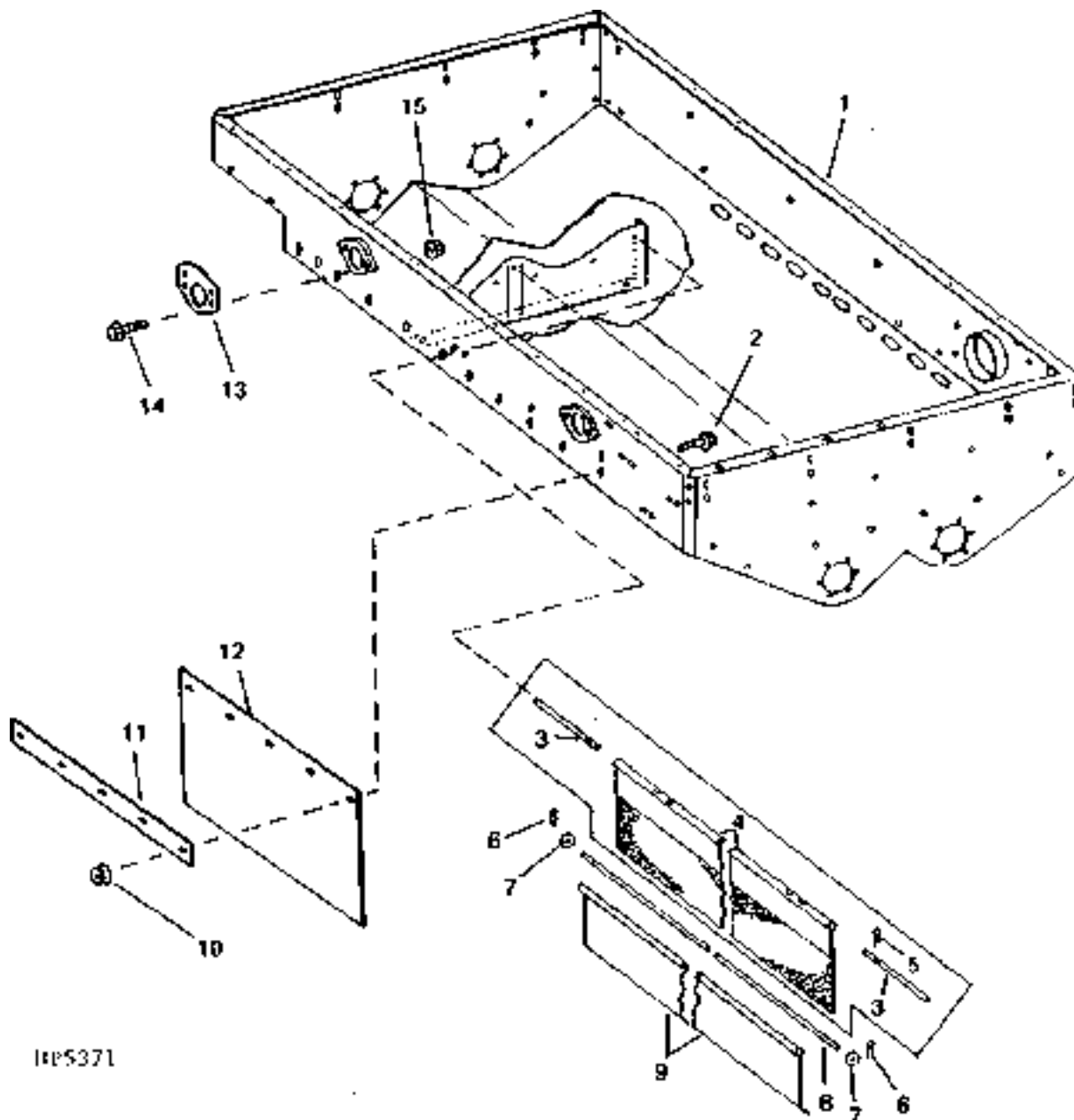
## GRAIN TANK BASE - CONTINUED

KEY	PART NO.	PART NAME	QTY	SERIAL NO.	REMARKS
1	H129885	ANGLE	1		
2	14M7020	WING NUT	1	M8	
3	H131264	COVER	1		
4	H131230	HOUSING	1	UPPER	
5	AH130198	SUPPORT	1		
6	M84309	NUT	2	7.925 MM, (SUB FOR H131531)	
7	03M7184	BOLT	2	M8 X 20	
8	37M7087	SCREW	2	-655541 M10 X 25	
	H145773	SELF-LOCKING SCREW	2	655542- M10 X 35	
	H145773	SELF-LOCKING SCREW	2	22APR- M10 X 35, RICE AND ITALY ONLY	
9	AH126275	HOUSING	1		
10	H141123	NUT	5	10 MM	
11	AH126279	DUST SHIELD	1	LOWER	
12	19M7865	SCREW	8	M8 X 16	
	14M7298	FLANGE NUT	8	M8	
13	14M7298	FLANGE NUT	4	M8	
14	H132662	BRACKET	1		
15	AH128037	BRACKET	1	LEFT-HAND	
16	19M7788	SCREW	5	M12 X 25	
	24M7180	WASHER	5	13 X 37 X 3 MM	
	14M7299	FLANGE NUT	5	M12	
17	19M7788	SCREW	6	M12 X 25	
	14M7299	FLANGE NUT	6	M12	
18	H131227	DEFLECTOR	1		
19	37M7083	SCREW	2	M8 X 12	
20	H147299	SUPPORT	1		
21	H129588	BRACKET	1		
22	19M7866	SCREW	5	M8 X 20	
	14M7298	FLANGE NUT	5	M8	
23	AH166714	CHANNEL	1	(SUB FOR AH125478)	
24	AH158104	TANK	1	(SUB FOR AH135292, AH141641 OR AH157725)	
25	H125537	PLATE	4		
26	19M7784	SCREW	37	M10 X 20	
	14M7296	FLANGE NUT	37	M10	
27	H131628	BRACKET	1		
28	H136541	HOSE SUPPORT	1	CAB ISOLATION	
29	H132538	HOSE SUPPORT	1		
30	H130363	BRACKET	1		
31	14M7299	FLANGE NUT	4	M12	
32	24M7240	WASHER	4	13 X 25 X 3 MM	
33	N61709	BUSHING	4	13.487 X 25.400 X 18.110 MM	
34	19M8112	SCREW	4	M12 X 55	
35	H139972	PLATE	1		
36	AH125814	SUPPORT	1		
37	24H1347	WASHER	5		
38	37M7080	SCREW	5		
39	H127677	BRACKET	1		
40	AH108299	RUBBER MOUNT	2		
41	H139056	BRACKET	1		
42	AH166713	CHANNEL	1	(SUB FOR AH125306)	
43	19M7785	SCREW	1		
44	19M7788	SCREW	2	M12 X 25	
45	H129833	BRACKET	1		
..	AH168093	KIT	1	STAINLESS STEEL TROUGH LINER	

# 6G1

CLEAN GRAIN ELEVATOR, GRAIN TANK AND UNLOADING AUGER

GRAIN TANK AND CURTAINS  
HP5371 -UN-01JAN94



HP5371

# 6G2

## CLEAN GRAIN ELEVATOR, GRAIN TANK AND UNLOADING AUGER

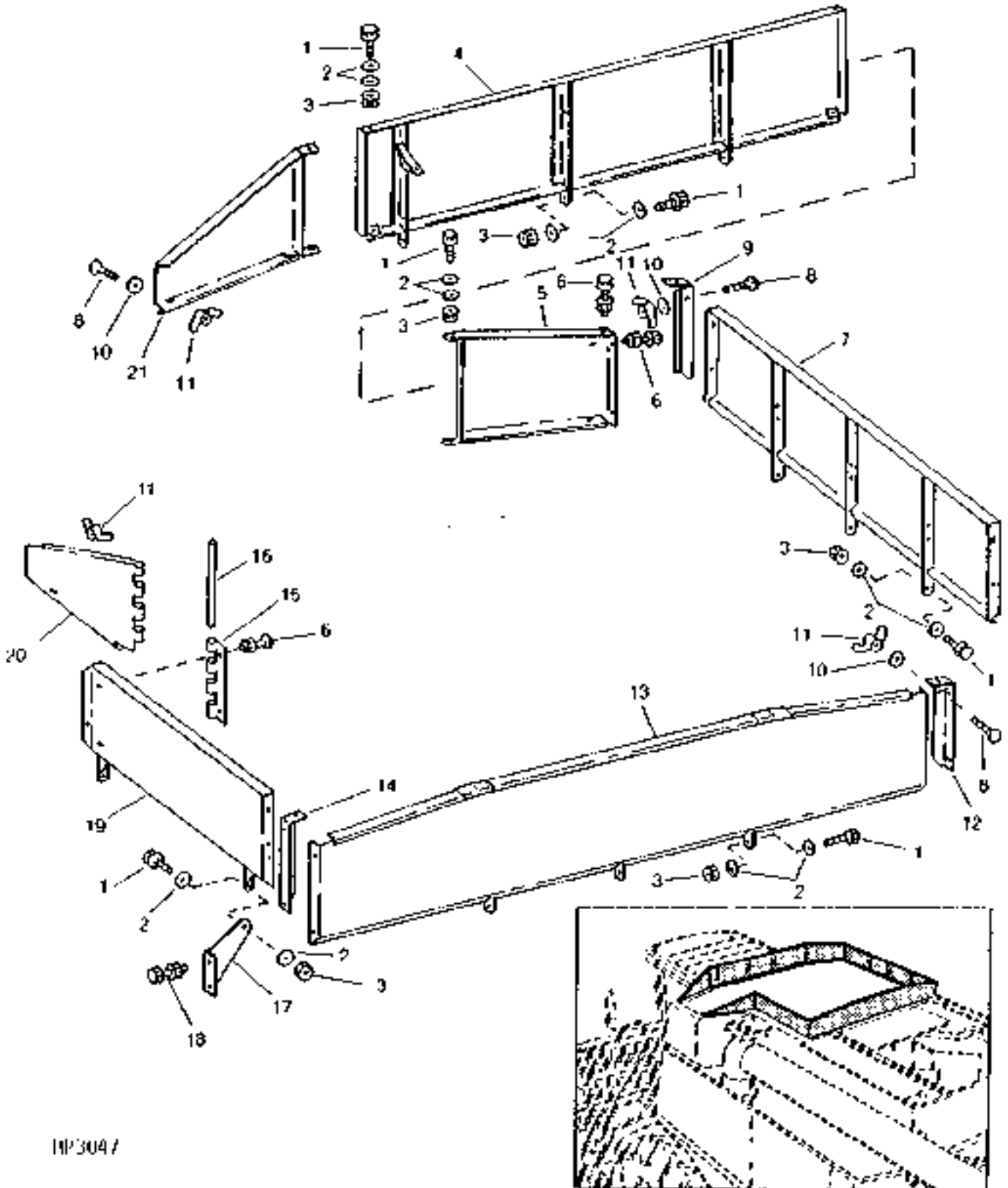
### GRAIN TANK AND CURTAINS - CONTINUED

KEY	PART NO.	PART NAME	QTY	SERIAL NO.	REMARKS
1	AH158104	TANK	1		(SUB FOR AH135292, AH141641 OR AH157725)
2	19M7785	SCREW	5	650401-	M10 X 25
3	H131865	PIN	1	-640400	
4	AH125391	LIMIT CURTAIN	1	-640400	
5	11M7059	COTTER PIN	2	-640400	3.200 X 20 MM
6	A15147	SPRING LOCKING PIN	2	640401-	
7	T20217	WASHER	2	640401-	12.954 X 43.942 X 6.350 MM
8	H144825	PIPE	1	640401-	(USE WITH H144823)
	H76863	PIN	1	640401-	(USE WITH H145516)
9	H144823	LIMIT CURTAIN	1	640401-	RUBBER (CORN AND GRAIN)
	H145516	DEFLECTOR	1	640401-	STEEL (RICE)
10	14M7400	LOCK NUT	1	650401-	M10
11	H148116	PLATE	1	650401-	
12	H148056	LIMIT CURTAIN	1	650401-	
13	H148518	PLATE	2	650401-	
14	19M7788	SCREW	4		M12 X 25
15	14M7299	FLANGE NUT	4		M12

# 6G3

CLEAN GRAIN ELEVATOR, GRAIN TANK AND UNLOADING AUGER

GRAIN TANK EXTENSIONS  
HP3047 -UN-01JAN94



HP3047



# 6G4

## CLEAN GRAIN ELEVATOR, GRAIN TANK AND UNLOADING AUGER

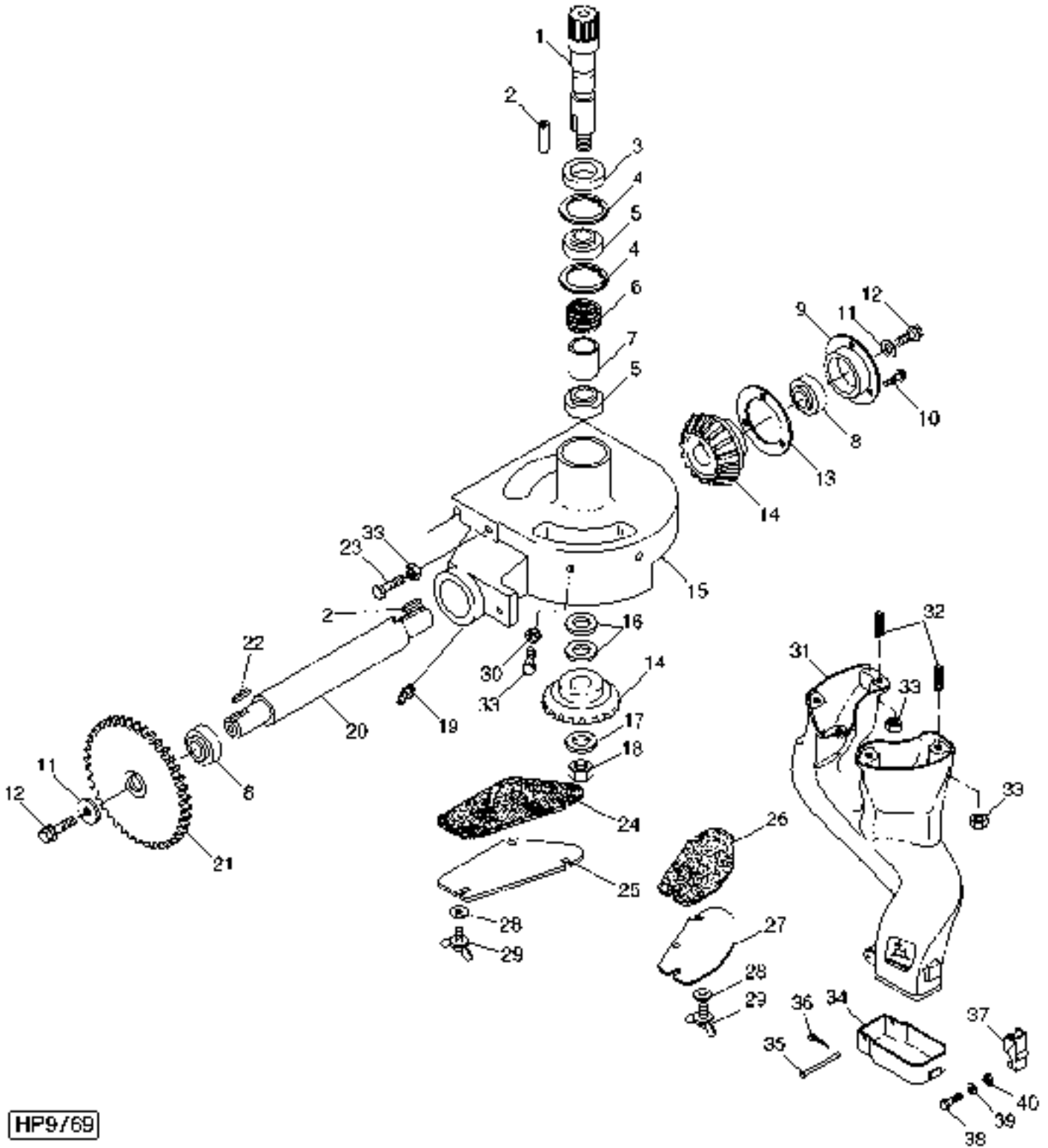
### GRAIN TANK EXTENSIONS - CONTINUED

KEY	PART NO.	PART NAME	QTY	SERIAL NO.	REMARKS
1	19M7867	SCREW	AR	M8 X 25	
2	B27370	WASHER	AR	8.330 X 19.050 X 0.910 MM (0.328" X 3/4" X 0.036")	
	24H1290	WASHER	AR	21/64" X 3/4" X 0.035"	
3	14M7396	LOCK NUT	AR	M8	
4	AH135222	PANEL	1	FRONT CENTER	
5	AH122265	PANEL	1	R.H. FRONT	
6	03M7184	BOLT	AR	M8 X 20	
	14M7298	FLANGE NUT	AR	M8	
7	AH135227	PANEL	1	R.H.	
8	03M7184	BOLT	6	M8 X 20	
9	H127250	REINFORCEMENT	1	R.H. FRONT CORNER	
10	M84309	NUT	6	7.925 MM (5/16") (SUB FOR H131531)	
11	14M7020	WING NUT	6	M8	
12	H125753	BRACKET	1	R.H. REAR CORNER	
13	AH135229	PANEL	1	REAR	
14	H125752	BRACKET	1	L.H. REAR CORNER	
15	H125670	HINGE	1		
16	H125672	PIN	1		
17	H164404	BRACKET	2	(SUB FOR H129825)	
18	19M7866	SCREW	AR	M8 X 20	
	14M7298	FLANGE NUT	AR	M8	
19	AH135225	PANEL	1	L.H.	
20	H125671	PANEL	1	L.H. OUTER	
21	AH122264	PANEL	1	L.H. FRONT	

# 6G5

CLEAN GRAIN ELEVATOR, GRAIN TANK AND UNLOADING AUGER

VERTICAL AUGER LOWER GEAR CASE  
HP9769 -UN-23MAY00



HP9/69

# 6G6

## CLEAN GRAIN ELEVATOR, GRAIN TANK AND UNLOADING AUGER

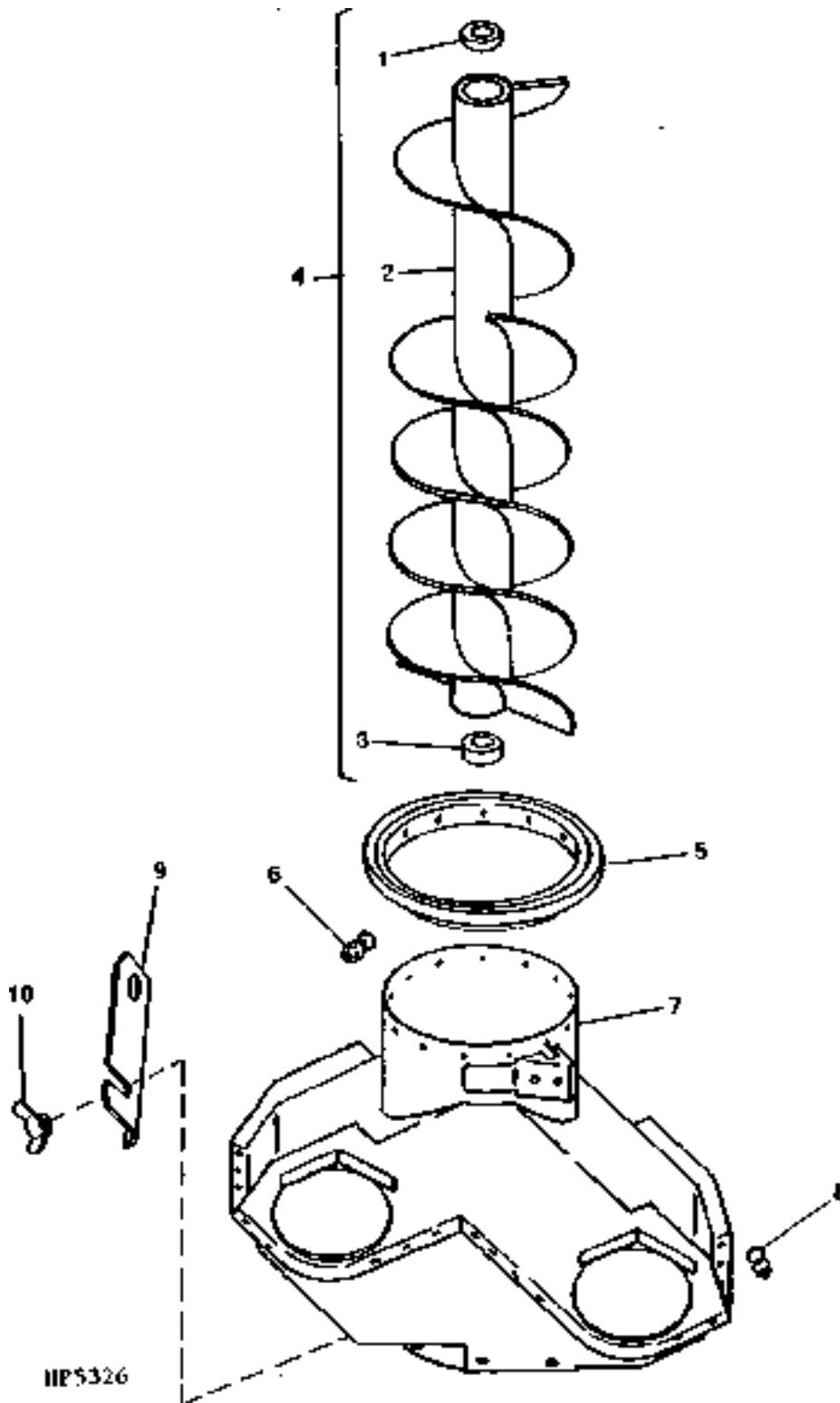
### VERTICAL AUGER LOWER GEAR CASE - CONTINUED

KEY	PART NO.	PART NAME	QTY	SERIAL NO.	REMARKS
1	H96169	SHAFT	1		LOWER
2	.....	KEY	2		10 MM X 10 MM 32 MM (3/8" X 3/8" X 1-1/4") (CUT FROM H64376 IN AH64587 KEY STOCK KIT)
3	AH90963	SEAL	1		
4	N71921	SNAP RING	2		
5	AH96585	BEARING	2		
6	H96267	SPRING	1		
7	H96149	BUSHING	1		
8	JD8524	BEARING	2		
9	H113053	BEARING HOUSING W/O BEARING	1		
10	19M7785	SCREW	3		M10 X 25
11	H129716	WASHER	2		0.669" X 2.283" X 0.315"
12	19M7843	SCREW	2		M16 X 35
13	H96297	SHIM	1		0.254 MM (0.010")
	H96298	SHIM	AR		0.508 MM (0.020")
14	H96294	GEAR	2		23 TOOTH
15	H130137	CASE	1		
16	24H1533	SHIM	AR		0.018"
17	24H1433	WASHER	1		29/32" X 2-1/4" X 1/4"
18	H29623	LOCK NUT	1		22.225 MM (7/8")
19	JD7778	LUBRICATION FITTING	1	-650400	
	JD7763	LUBRICATION FITTING	1	650401-650402	45 DEGREE
	JD7759	LUBRICATION FITTING	1	650403-	STRAIGHT
20	H129653	SHAFT	1		
21	AH125080	DRIVE SPROCKET	1		46 TOOTH
	AH146352	DRIVE SPROCKET	1	660433-	(RICE ONLY) 40 TOOTH
22	.....	KEY	1		10 MM X 10 MM X 38 MM (3/8" X 3/8" X 1-1/2") (CUT FROM H64376 IN AH64587 KEY STOCK)
23	19M7835	SCREW	1		M10 X 35
24	H135192	SEAL	1		FRONT
25	H136572	COVER	1		FRONT
26	H135193	SEAL	1		REAR
27	H136573	COVER	1		REAR
28	24M7178	WASHER	5		10.500 X 30 X 2.500 MM
29	21M7236	WING SCREW	5		M10 X 16
30	19M7786	SCREW	8		M10 X 30
31	AH167433	CHUTE	1		
32	22M7149	SET SCREW	5		M10 X 30
33	14M7296	FLANGE NUT	14		M10
34	H173223	CAP	1		
35	M112271	PIN	1		
36	J16931	SPRING LOCKING PIN	1		
37	AH168300	LATCH	1		
38	21M7284	SCREW	4		M3 X 16
39	24M7029	SHIM	4		
40	14M7196	NUT	4		M3

# 6G7

CLEAN GRAIN ELEVATOR, GRAIN TANK AND UNLOADING AUGER

VERTICAL UNLOADING AUGER AND CHARGE HOUSING  
HP5326 -UN-01JAN94



# 6G8

CLEAN GRAIN ELEVATOR, GRAIN TANK AND UNLOADING AUGER

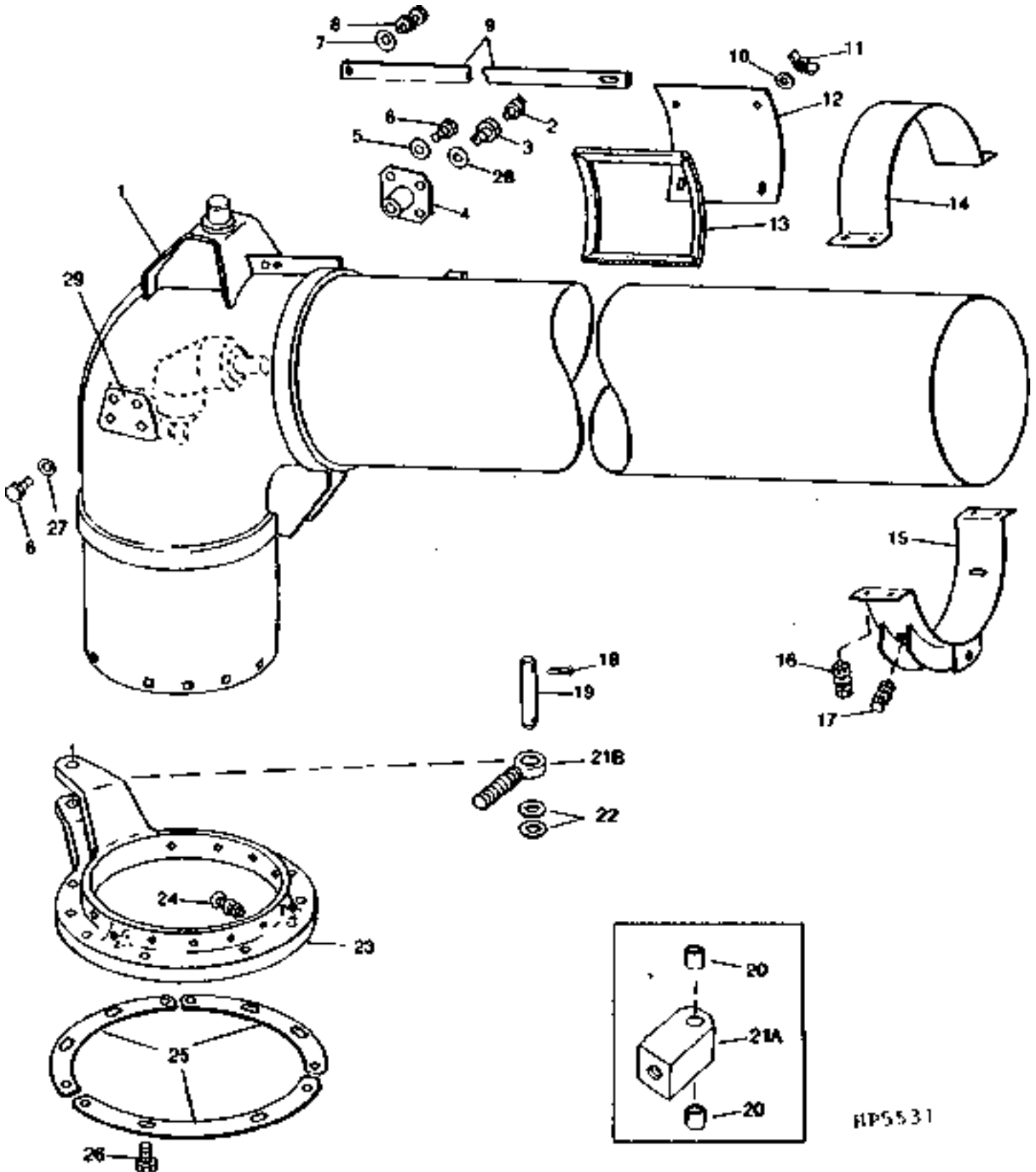
## VERTICAL UNLOADING AUGER AND CHARGE HOUSING - CONTINUED

KEY	PART NO.	PART NAME	QTY	SERIAL NO.	REMARKS
1	H128861	SPLINED COUPLING	1		
2	.....	FLIGHT	1		
3	AH124878	EXTERNAL HALF COUPLER	1		
4	AH124852	AUGER	1		
	AH140081	FLIGHT	1		
5	H141410	RING	1	-645709	
	H146775	RING	1	645710-	
6	03M7191	BOLT	12		M10 X 25
	14M7296	FLANGE NUT	12		M10
7	AH136023	HOUSING	1	-650400	
	AH140713	HOUSING	1	650401-	
8	03M7190	BOLT	30	-650400	M10 X 20
	03M7198	BOLT	30	650401-	M12 X 30
	14M7296	FLANGE NUT	30	-650400	M10
	14M7299	FLANGE NUT	30	650401-	M12
9	H130771	PLATE	1		
10	14M7020	WING NUT	2		M8
..	.....	WEATHERSTRIP	AR		(USE WITH H130771) (CUT FROM H81330)

# 6G9

CLEAN GRAIN ELEVATOR, GRAIN TANK AND UNLOADING AUGER

HORIZONTAL UNLOADING AUGER SWIVEL  
HP5531 -UN-01JAN94



HP5531

# 6G10

CLEAN GRAIN ELEVATOR, GRAIN TANK AND UNLOADING AUGER

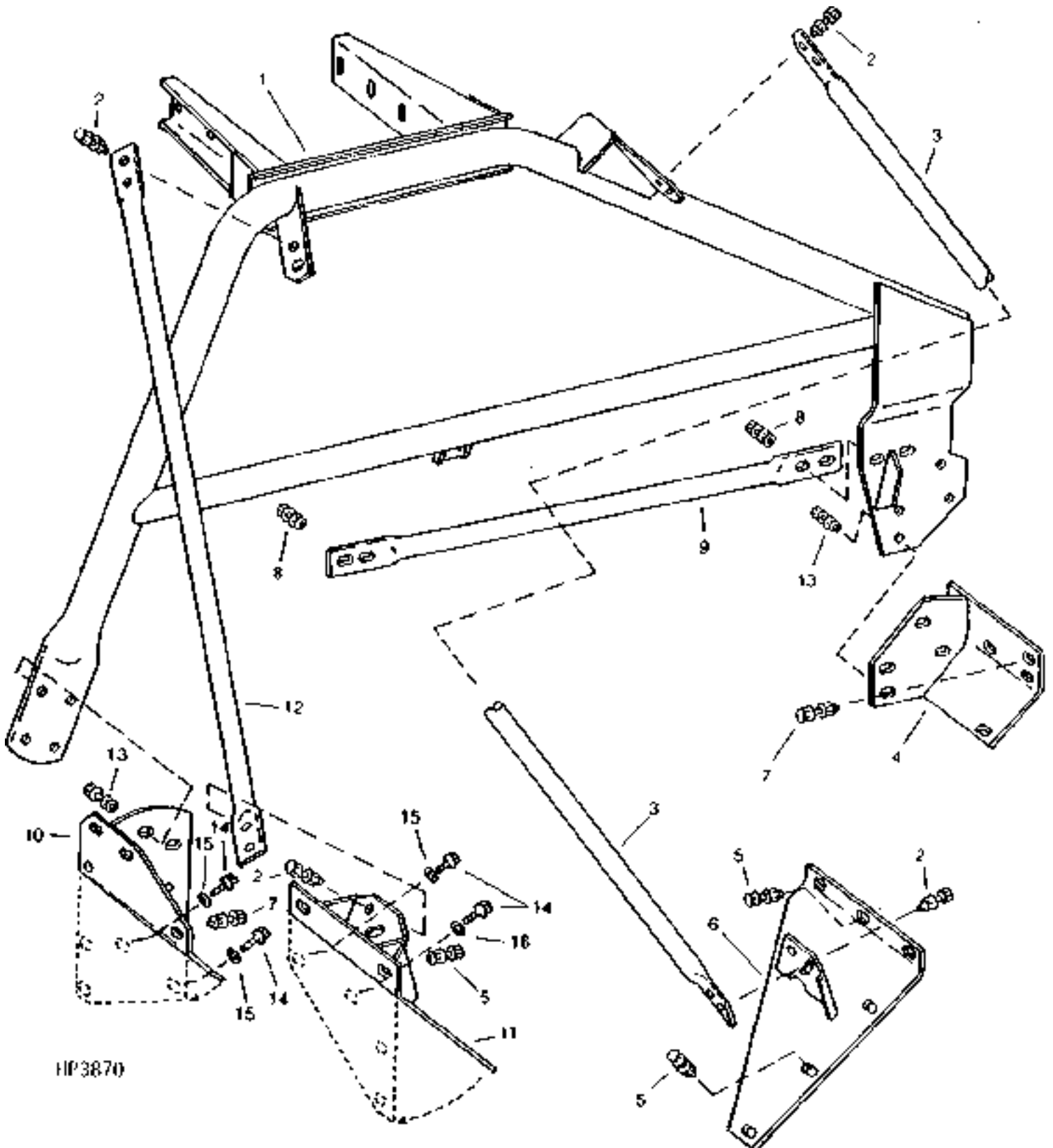
## HORIZONTAL UNLOADING AUGER SWIVEL - CONTINUED

KEY	PART NO.	PART NAME	QTY	SERIAL NO.	REMARKS
1	AH162400	HOUSING	1		(SUB FOR AH131240, AH131241 OR AH145051)
2	JD7806	LUBRICATION FITTING	1		90 DEGREE
3	H96228	SCREW	1		15.875 X 63.500 MM
4	AH123912	SUPPORT	1		
5	12H304	LOCK WASHER	4		3/8"
6	19H2676	CAP SCREW	4		3/8" X 1"
7	24H1305	WASHER	1		13/32" X 13/16" X 0.065"
8	19H1732	CAP SCREW	1		3/8" X 1-1/4"
	E55662	FLANGE NUT	1		3/8"
9	H116351	STRAP	1		
10	24H1224	WASHER	4		11/32" X 1" X 1/16"
11	14H785	NUT	4		5/16"
12	H96652	DOOR	1		
13	.....	WEATHERSTRIP	AR		(CUT FROM H81330)
14	H133178	CLAMP	1		
15	AH136153	STRAP	1		
16	19M7786	SCREW	4		M10 X 30
	24H1311	WASHER	4		13/32" X 1-1/4" X 0.220"
	14M7296	FLANGE NUT	4		M10
17	03M7190	BOLT	2		M10 X 20
	14M7296	FLANGE NUT	2		M10
18	11M7038	COTTER PIN	2		6.300 X 40 MM
19	H138930	PIN	1		
20	R50875	BUSHING	2		-650400
21A	H137225	END	1		-650400
21B	H148376	EYEBOLT	1	650401-	
22	24M7045	WASHER	1		23 X 34 X 4 MM
23	H137227	RING	1		(SUB FOR H129550) DOES NOT REQUIRE 24M7045 WASHERS
24	03M7353	BOLT	12		M12 X 30
	14M7299	FLANGE NUT	12		M12
25	H131356	SECTOR	3		
26	19M7784	SCREW	12		M10 X 20
27	24H1308	WASHER	4		13/32" X 1" X 0.134"
28	12H294	LOCK WASHER	1		5/8"
29	H147752	PLATE	1		

# 6G11

CLEAN GRAIN ELEVATOR, GRAIN TANK AND UNLOADING AUGER

AUGER SWIVEL SUPPORT AND BRACES  
HP3870 -UN-01JAN94



HP3870



# 6G12

CLEAN GRAIN ELEVATOR, GRAIN TANK AND UNLOADING AUGER

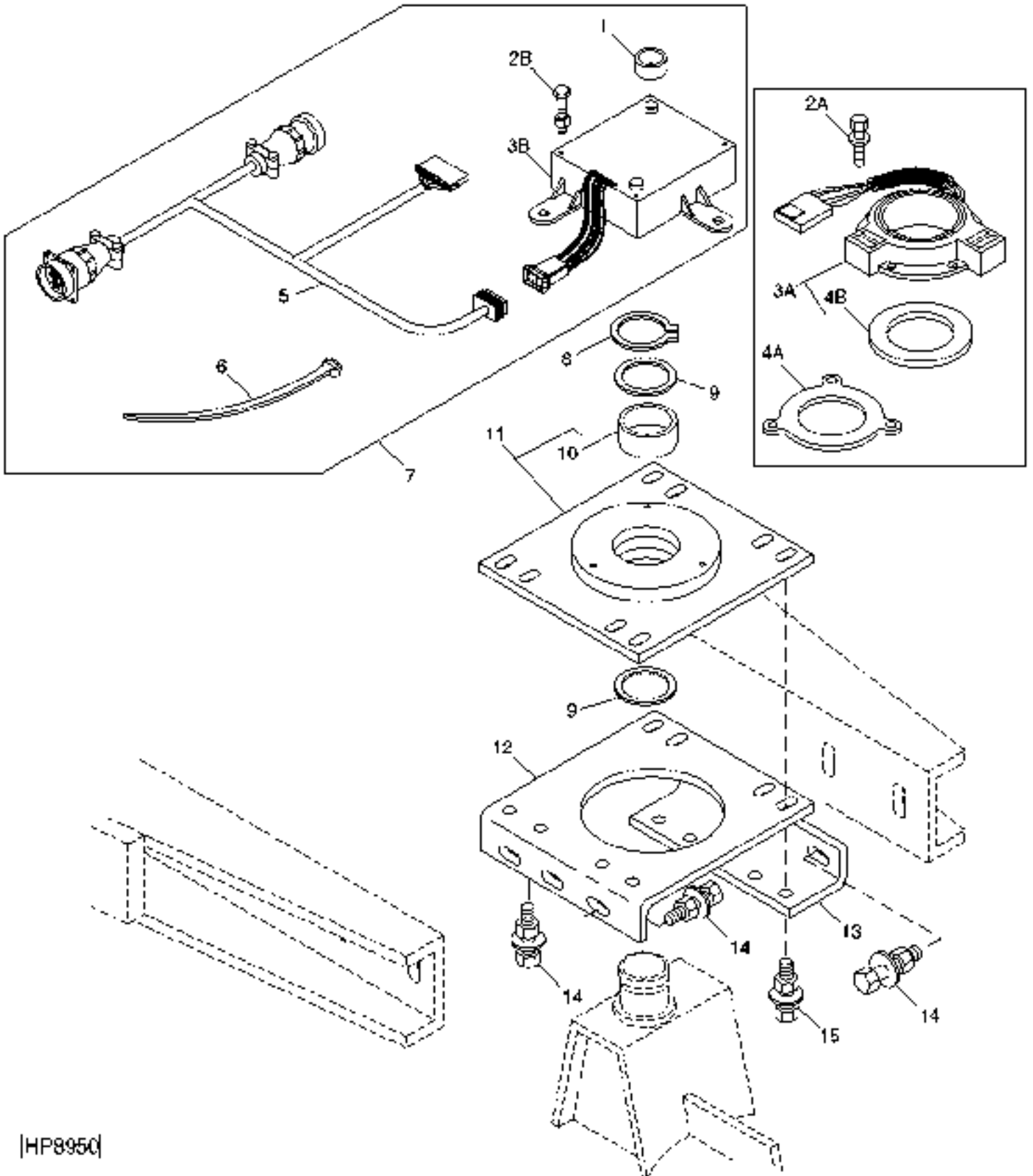
## AUGER SWIVEL SUPPORT AND BRACES - CONTINUED

KEY	PART NO.	PART NAME	QTY	SERIAL NO.	REMARKS
1	AH140790	FRAME	1	(SUB FOR AH139996)	
2	19M7793	SCREW	12	M16 X 40	
	14M7291	FLANGE NUT	12	M16	
3	H131256	BRACE	1	FRONT	
4	AH126281	ANCHOR	1	LEFT HAND FRONT	
5	19M7789	SCREW	6	M12 X 30	
	14M7299	FLANGE NUT	6	M12	
6	AH126283	ANCHOR	1	RIGHT HAND FRONT	
7	19M7788	SCREW	6	M12 X 25	
	14M7299	FLANGE NUT	6	M12	
8	19M7843	SCREW	4	M16 X 35	
	14M7291	FLANGE NUT	4	M16	
9	H131261	BRACE	1	CHARGE HOUSING	
10	AH126282	ANCHOR	1	LEFT HAND REAR	
11	AH126284	ANCHOR	1	RIGHT HAND REAR	
12	H131259	BRACE	1	REAR	
13	19M7793	SCREW	8	M16 X 40	
	14M7291	FLANGE NUT	8	M16	
14	19M7791	SCREW	4	M12 X 40	
15	24H1347	WASHER	3	17/32" X 2" X 0.194"	
16	24H1380	WASHER	1	11/16" X 1-3/4" X 0.194", R.H. OUTER	

# 6G13

CLEAN GRAIN ELEVATOR, GRAIN TANK AND UNLOADING AUGER

HORIZONTAL UNLOADING AUGER HUB SUPPORT AND SWITCH  
HP8950 -UN-24AUG99



HP8950

# 6G14

CLEAN GRAIN ELEVATOR, GRAIN TANK AND UNLOADING AUGER

## HORIZONTAL UNLOADING AUGER HUB SUPPORT AND SWITCH - CONTINUED

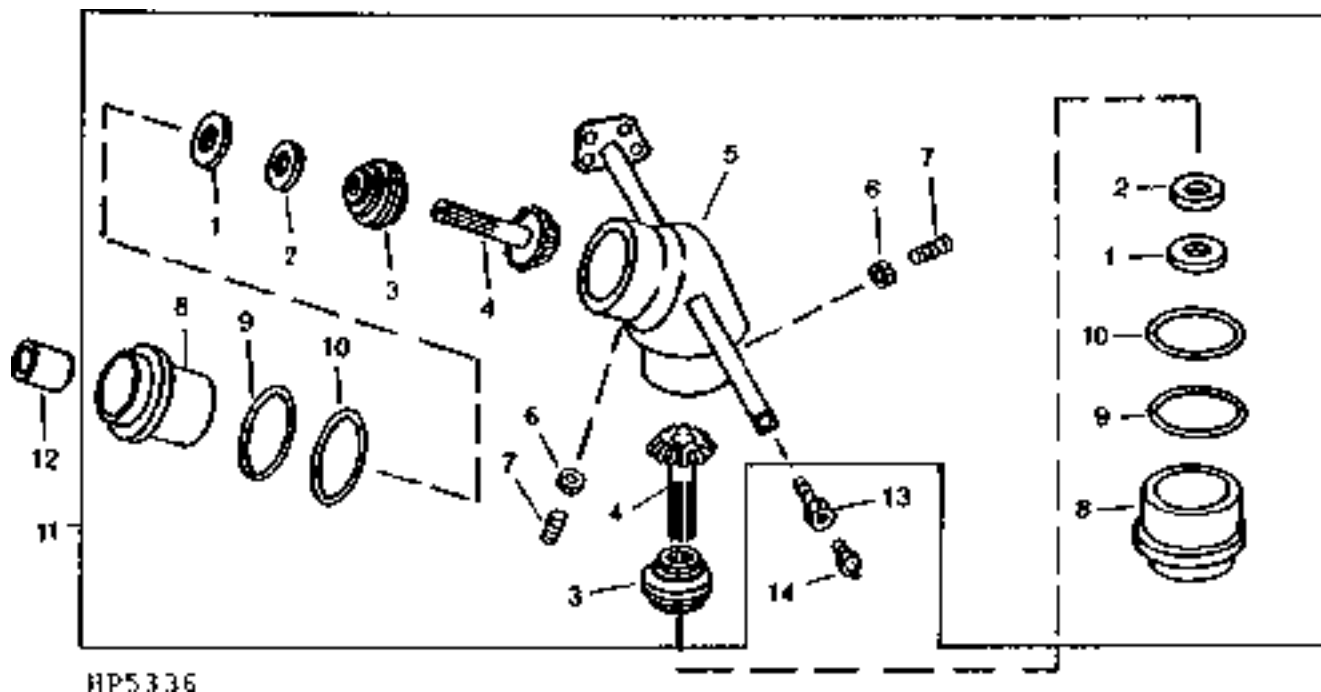
KEY	PART NO.	PART NAME	QTY	SERIAL NO.	REMARKS
1	28H3377	BUSHING	2		10.744 X 17.145 X 44.450 MM, (A)
2A	19M6755	CAP SCREW	3	-670000	M6 X 35
	24M7139	WASHER	3	29SEP7-670000	6.400 X 18 X 1.600 MM
2B	19M8402	CAP SCREW	2		M8 X 65, (A)
	14M7298	FLANGE NUT	2		M8, (A)
3A	AH142999	SWITCH	1	-670000	(SUB AH163979) (SUB FOR AH140989) (INCLUDES H148702 GASKET)
3B	AH155480	MODULE	1		(A)
4A	H128489	GASKET	1	-650400	(SUB H148702)
4B	H148702	GASKET	1	-670000	
5	AH156413	WIRING HARNESS	1		(A)
6	R44302	TIE BAND	6		(A)
7	AH163979	KIT	1		(INCLUDES PARTS MARKED (A) AND INSTRUCTIONS H168641)
8	40M7166	SNAP RING	1		(SUB FOR 40M1839)
9	H132097	WASHER	2		
10	H128479	BUSHING	1		
11	AH123602	HUB	1		
12	H131263	SUPPORT	1		
13	H131262	ANGLE	1		HUB MOUNTING
14	19M7790	SCREW	10		M12 X 35
	24M7180	WASHER	10		13 X 37 X 3 MM
	14M7299	FLANGE NUT	10		M12
15	19M7791	SCREW	4		M12 X 40
	24M7180	WASHER	4		13 X 37 X 3 MM
	14M7299	FLANGE NUT	4		M12

# 6G15

CLEAN GRAIN ELEVATOR, GRAIN TANK AND UNLOADING AUGER

## HORIZONTAL UNLOADING AUGER DRIVE GEAR CASE

HP5336 -UN-01JAN94



HP5336

KEY	PART NO.	PART NAME	QTY	SERIAL NO.	REMARKS
1	AH98118	SEAL	2		
2	H99613	WASHER	2	1.248" X 1-3/4" X 3/8"	
3	AH94661	BEARING	2		(USE WITH H99613) (SUB DE18970) INCLUDES TWO CONES, TWO CUPS AND TWO SPACERS
	DE18970	BEARING	2		
4	H149869	GEAR	2		(SUB FOR H96148)
5	H149793	GEAR CASE	1		(SUB FOR H96346)
6	14H732	NUT	4	3/8"	
7	22H845	SET SCREW	4	3/8" X 3/4"	
8	H96345	BEARING HOUSING W/O BEARING	2		
9	.....	SHIM	2		(SUB AH139072)
10	.....	SHIM	2		(SUB AH139072)
11	AH164609	GEAR CASE	1		(SUB FOR AH124509)
12	N72989	BUSHING	1	1-17/64" X 1-5/8" X 1.120"	
13	H96228	SCREW	1	5/8" X 2-1/2"	
	12H294	LOCK WASHER	1	5/8"	
14	JD7797	LUBRICATION FITTING	1	STRAIGHT, 1/4"	

MEMORANDA

THIS PARTS LISTING IS CONTINUED

# 6G16

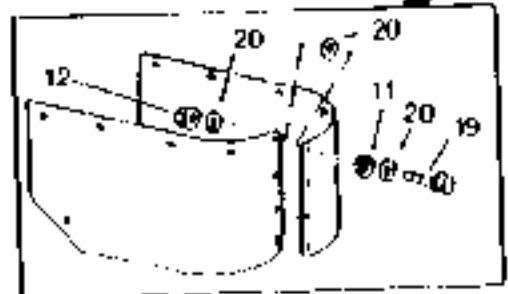
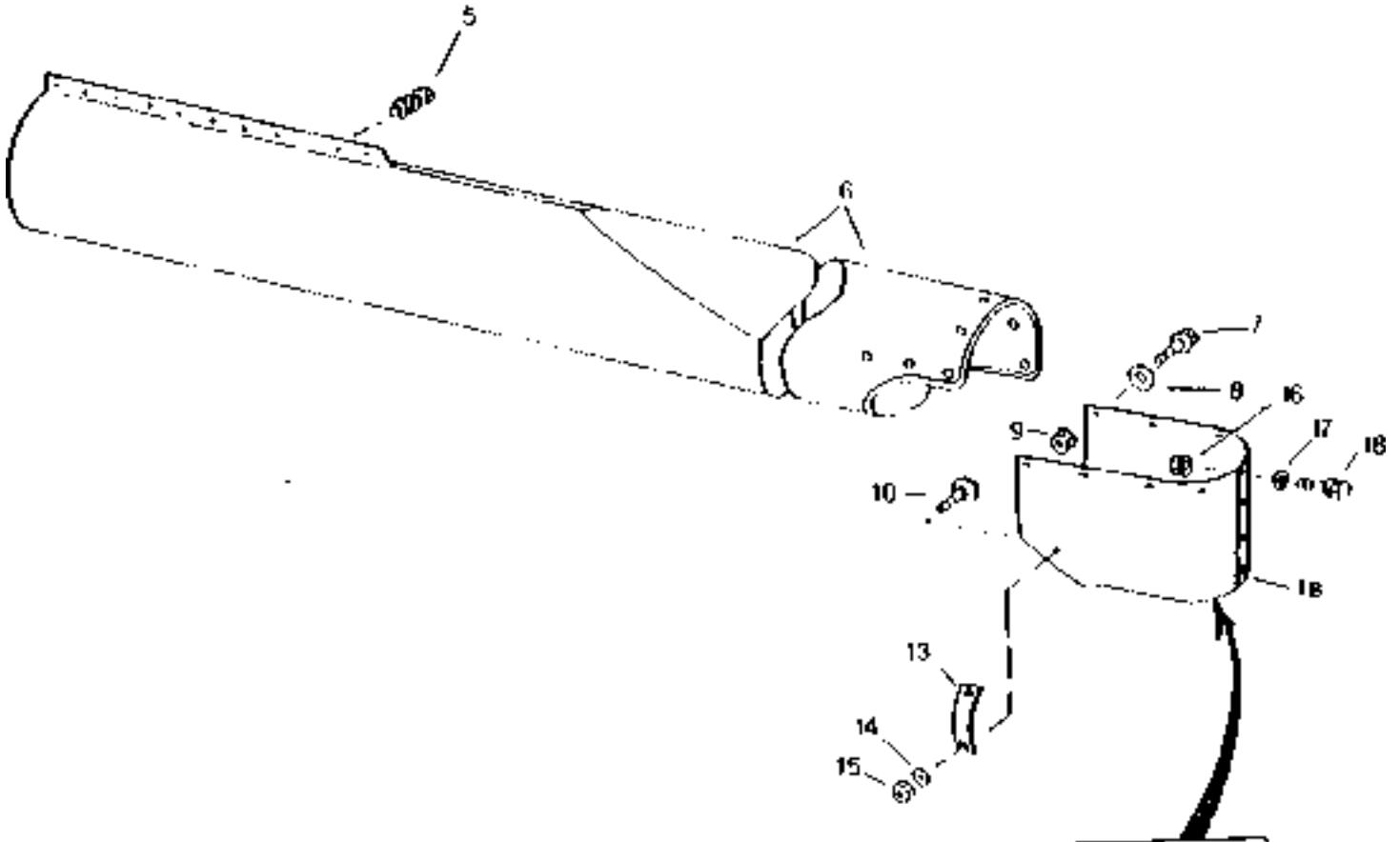
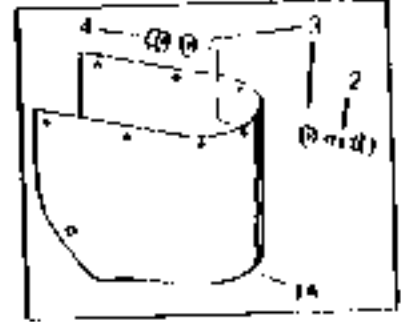
CLEAN GRAIN ELEVATOR, GRAIN TANK AND UNLOADING AUGER

## HORIZONTAL UNLOADING AUGER HOUSING

(14 FT. AND 17 FT.)

HP5830

-UN-01JAN94



HP5830

# 6G17

CLEAN GRAIN ELEVATOR, GRAIN TANK AND UNLOADING AUGER

## HORIZONTAL UNLOADING AUGER HOUSING - CONTINUED

(14 FT. AND 17 FT.)

KEY	PART NO.	PART NAME	QTY	SERIAL NO.	REMARKS
1A	H141449	SPOUT	1	-650417	
1B	H149780	SPOUT	1	650418-	
2	19M7867	SCREW	4		M8 X 25
3	24H1291	WASHER	8		21/64" X 1-15/32" X 7/64"
4	14M7298	FLANGE NUT	4		M8
5	19M7868	SCREW	11		M8 X 30
	14M7396	LOCK NUT	11		M8
6	AH145049	HOUSING	1		(SUB FOR AH140334)
7	19M7867	SCREW	8		M8 X 25
8	24M7207	WASHER	8		8.400 X 24 X 2 MM
9	14M7298	FLANGE NUT	8		M8
10	03M7184	BOLT	2		M8 X 20
11	28H5	WASHER	3		0.269" X 0.405" X 1/4"
12	14M7303	FLANGE NUT	3		M6
13	H141450	STRAP	1		
14	24H1291	WASHER	4		21/64" X 1-15/32" X 7/64"
15	14M7298	FLANGE NUT	2		M8
16	14M7298	FLANGE NUT	1		M8
17	24H1291	WASHER	1		21/64" X 1-15/32" X 7/64"
18	19M7867	SCREW	1		M8 X 25
19	19M7863	SCREW	3		M6 X 25
	19M7796	SCREW	3	655401-	M6 X 30
20	24H1291	WASHER	9		21/64" X 1-15/32" X 7/64"

# 6G18

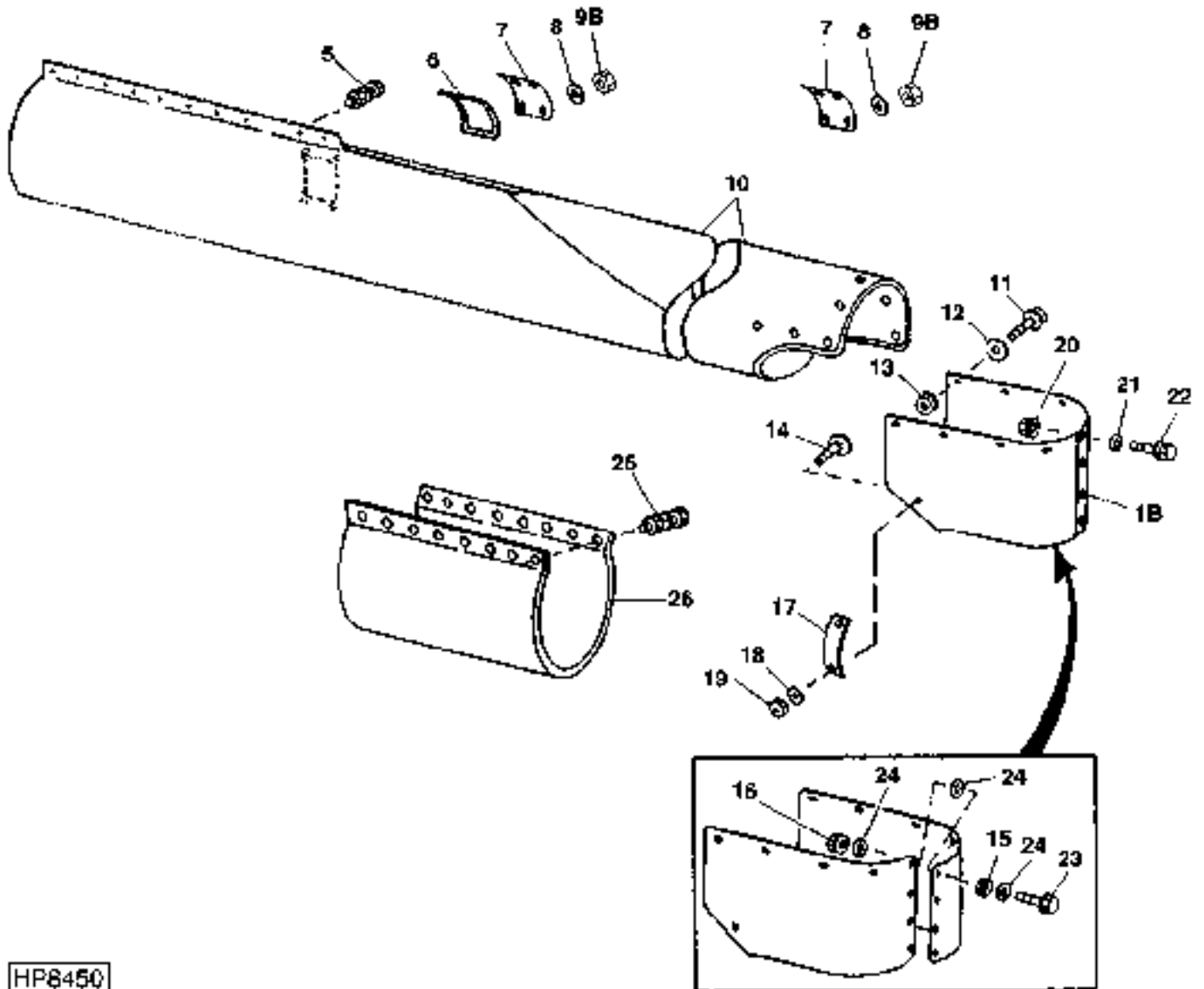
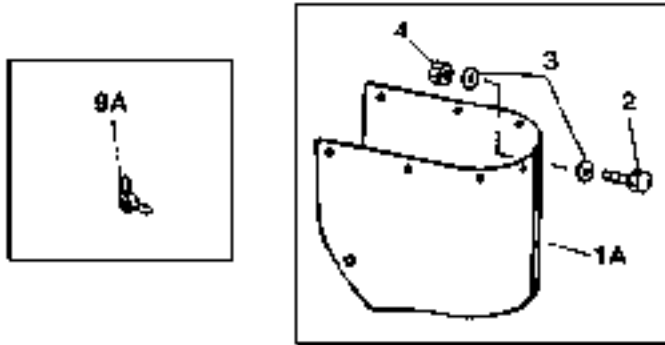
CLEAN GRAIN ELEVATOR, GRAIN TANK AND UNLOADING AUGER

## HORIZONTAL UNLOADING AUGER HOUSING

(17 AND 20 FT.)

HP8450

-UN-12APR99



HP8450



# 6G19

CLEAN GRAIN ELEVATOR, GRAIN TANK AND UNLOADING AUGER

**HORIZONTAL UNLOADING AUGER HOUSING - CONTINUED  
(17 AND 20 FT.)**

KEY	PART NO.	PART NAME	QTY	SERIAL NO.	REMARKS
1A	H141449	SPOUT	1	-650417	USE WITH THE 17FT AND 20FT AUGER
1B	H149780	SPOUT	1	650418-	USE WITH 17FT AND 20FT AUGERS
2	19M7867	SCREW	4		M8 X 25
3	24H1291	WASHER	8		21/64" X 1-15/32" X 7/64"
4	14M7298	FLANGE NUT	4		M8
5	19M7868	SCREW	7		M8 X 30
	14M7298	FLANGE NUT	7		M8
6	H81330	ISOLATOR	1		
7	H96652	DOOR	1	-670400	
8	24H1224	WASHER	4	-670400	11/32" X 1" X 1/16"
9A	14H819	WING NUT	4	-670400	5/16"
9B	14H785	NUT	8	671333-	5/16"
10	AH145049	HOUSING	1		(SUB FOR AH140334) (17FT. AUGER) (PERFORATED, 3670MM LONG)
	AH140335	HOUSING	1		(SUB FOR AH128682) (17 FT. AUGER) (PERFORATED, 3670MM LONG)
	AH145050	HOUSING	1		(SUB FOR AH112865) (20 FT. AUGER) (SOLID, 4585MM LONG)
	AH113392	HOUSING	1		(20 FT. AUGER) (PERFORATED, 4585MM LONG)
11	19M7867	SCREW	8		M8 X 25
12	24M7207	WASHER	8		8.400 X 24 X 2 MM (0.331" X 0.945" X 0.079")
13	14M7298	FLANGE NUT	8		M8
14	03M7184	BOLT	2		M8 X 20
15	28H5	WASHER	3		0.269" X 0.405" X 1/4"
16	14M7303	FLANGE NUT	3		M6
17	H141450	STRAP	1		
18	24H1291	WASHER	4		21/64" X 1-15/32" X 7/64"
19	14M7298	FLANGE NUT	2		M8
20	14M7298	FLANGE NUT	1		M8
21	24H1291	WASHER	1		21/64" X 1-15/32" X 7/64"
22	19M7867	SCREW	1	-670400	M8 X 25
23	19M7863	SCREW	3		M6 X 25
24	24H1291	WASHER	9		21/64" X 1-15/32" X 7/64"
25	19M7897	SCREW	7		M8 X 35
	14M7298	FLANGE NUT	7		M8
26	H127998	COVER	1	670401-	(17FT. AUGER) USE WITH PERFURATED AUGER HOUSING
	H100027	COVER	1	670401-	(20FT. AUGER) USE WITH PERFURATED AUGER HOUSING

# 6G20

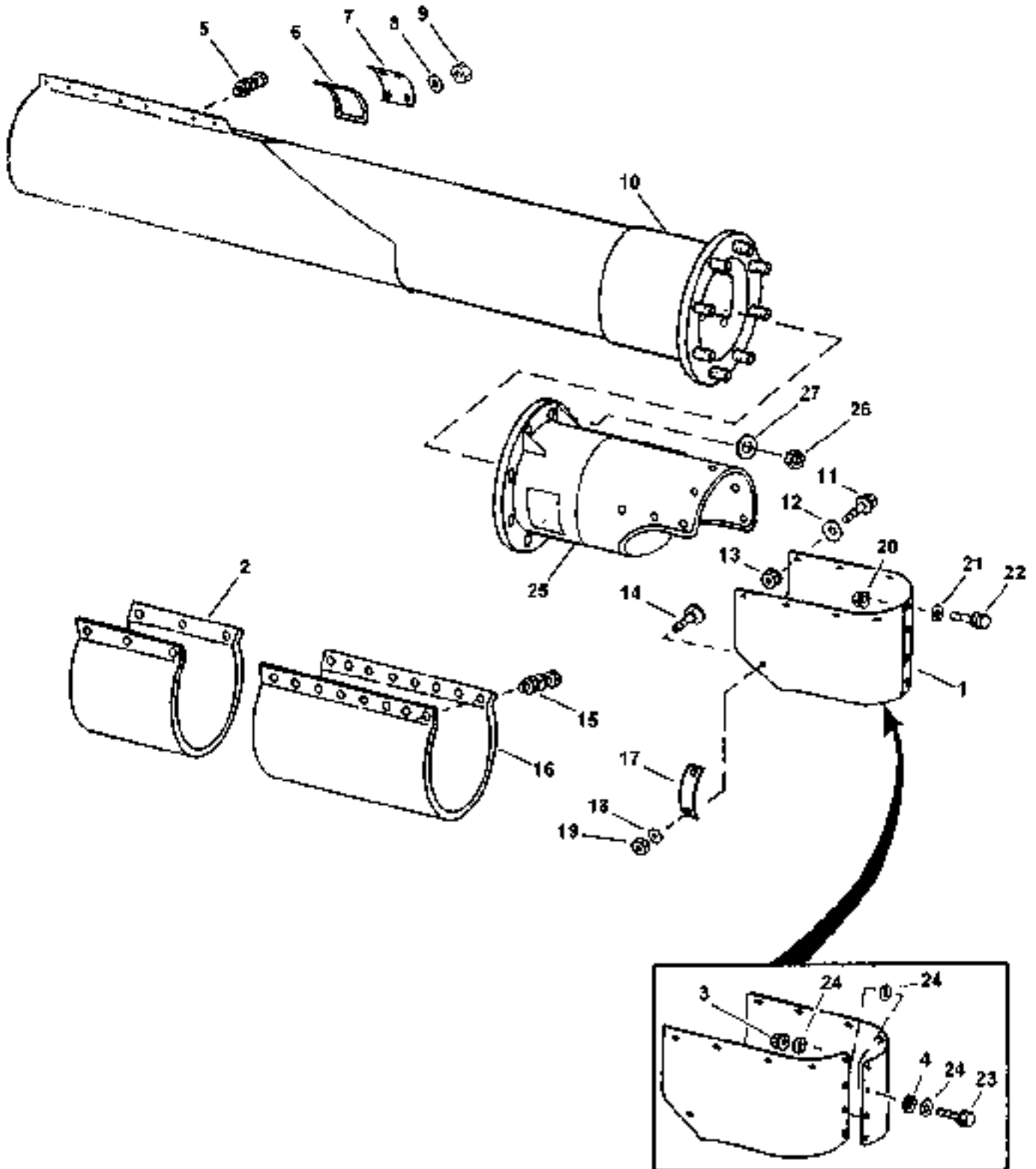
CLEAN GRAIN ELEVATOR, GRAIN TANK AND UNLOADING AUGER

## HORIZONTAL UNLOADING AUGER HOUSING (EXPORT)

(17 AND 20 FT.)

HP7526

-UN-04MAY98



HP7526

# 6G21

## CLEAN GRAIN ELEVATOR, GRAIN TANK AND UNLOADING AUGER

### HORIZONTAL UNLOADING AUGER HOUSING (EXPORT) - CONTINUED (17 AND 20 FT.)

KEY	PART NO.	PART NAME	QTY	SERIAL NO.	REMARKS
1	H149780	SPOUT	1		USE WITH 17FT AND 20FT AUGERS
2	H159784	COVER	1		UNLOADING AUGER
3	14M7303	FLANGE NUT	3		M6
4	24H1291	WASHER	9		21/64" X 1-15/32" X 7/64"
5	19M7868	SCREW	11		M8 X 30
	14M7396	LOCK NUT	11		M8
6	.....	WEATHERSTRIP	1		CUT FROM H81330 (USE WITH THE 20FT AUGER)
7	H96652	DOOR	2		USE WITH THE 20FT AUGER
8	24M7207	WASHER	8		8.400 X 24 X 2 MM, USE WITH THE 20FT AUGER
9	14H785	NUT	8		5/16", USE WITH THE 20FT AUGER
10	AH151407	HOUSING	1		INNER
	AH151411	HOUSING	1		6.1M RIGID, OUTER
11	19M7867	SCREW	8		M8 X 25
12	24M7207	WASHER	8		8.400 X 24 X 2 MM
13	14M7298	FLANGE NUT	8		M8
14	03M7184	BOLT	2		M8 X 20
15	19M7897	SCREW	10		M8 X 35
	14M7298	FLANGE NUT	10		M8
16	H127998	COVER	1		(17FT. AUGER) USE WITH PERFORATED AUGER HOUSING
	H100027	COVER	1		(20FT. AUGER) USE WITH PERFORATED AUGER HOUSING
17	H141450	STRAP	1		
18	24H1291	WASHER	4		21/64" X 1-15/32" X 7/64"
19	14M7298	FLANGE NUT	2		M8
20	14M7298	FLANGE NUT	1		M8
21	24H1291	WASHER	1		21/64" X 1-15/32" X 7/64"
22	19M7867	SCREW	2		M8 X 25
23	19M7863	SCREW	3		M6 X 25
	19M7796	SCREW	3		M6 X 30
24	28H5	WASHER	3		0.269" X 0.405" X 1/4"
25	AH151408	HOUSING	1		5.2M PERFORATED, INNER
	AH151409	HOUSING	1		6.1M PERFORATED, OUTER
	AH151410	HOUSING	1		5.2M RIGID, OUTER
26	14M7296	FLANGE NUT	8		M10
27	24M7207	WASHER	8		8.400 X 24 X 2 MM

# 6G22

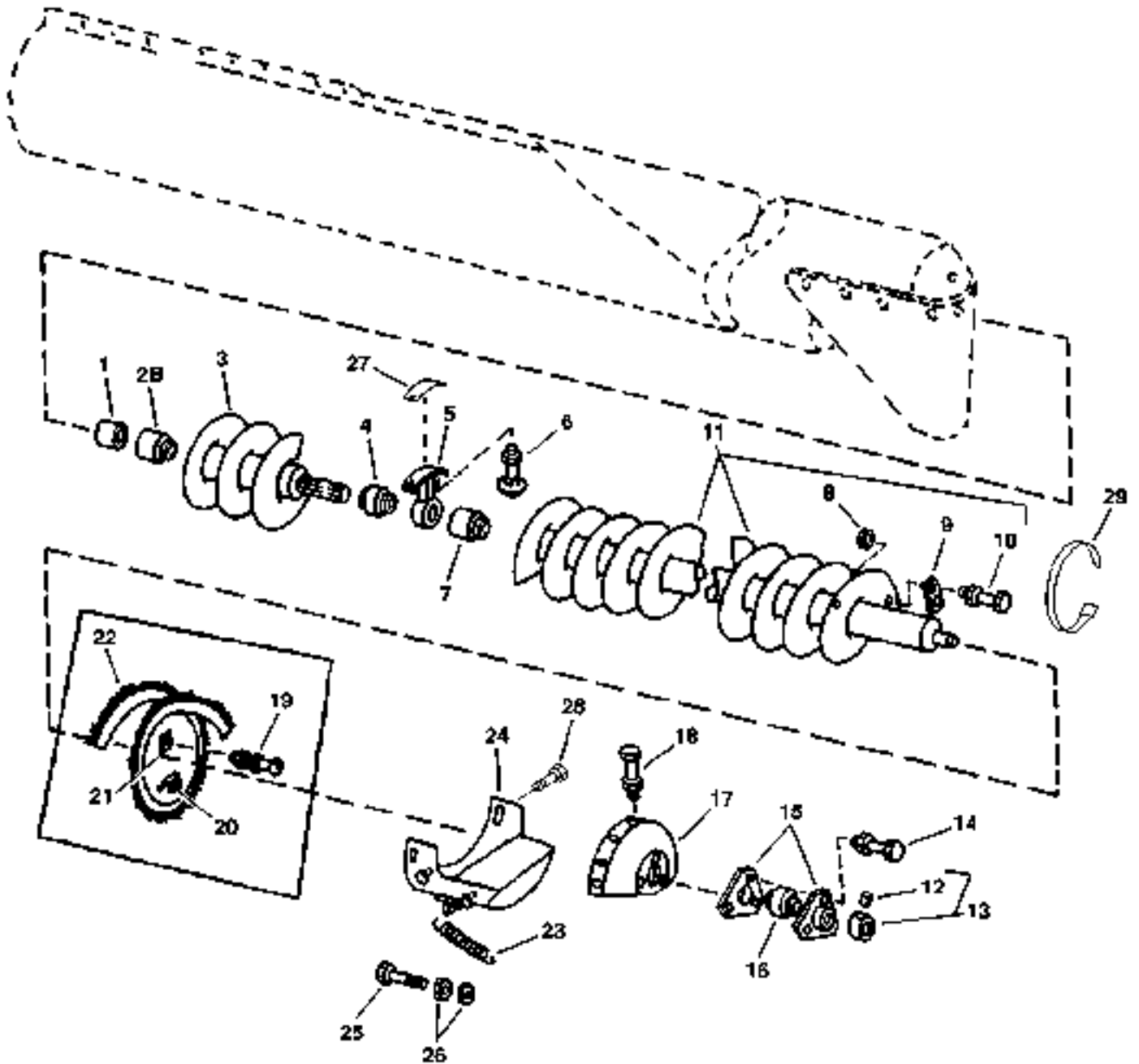
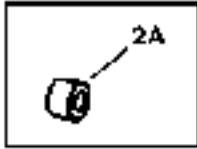
CLEAN GRAIN ELEVATOR, GRAIN TANK AND UNLOADING AUGER

## HORIZONTAL UNLOADING AUGER

(17- AND 20-FT.)

HP6715

-UN-14MAY97



HP6715

# 6G23

CLEAN GRAIN ELEVATOR, GRAIN TANK AND UNLOADING AUGER

## HORIZONTAL UNLOADING AUGER - CONTINUED

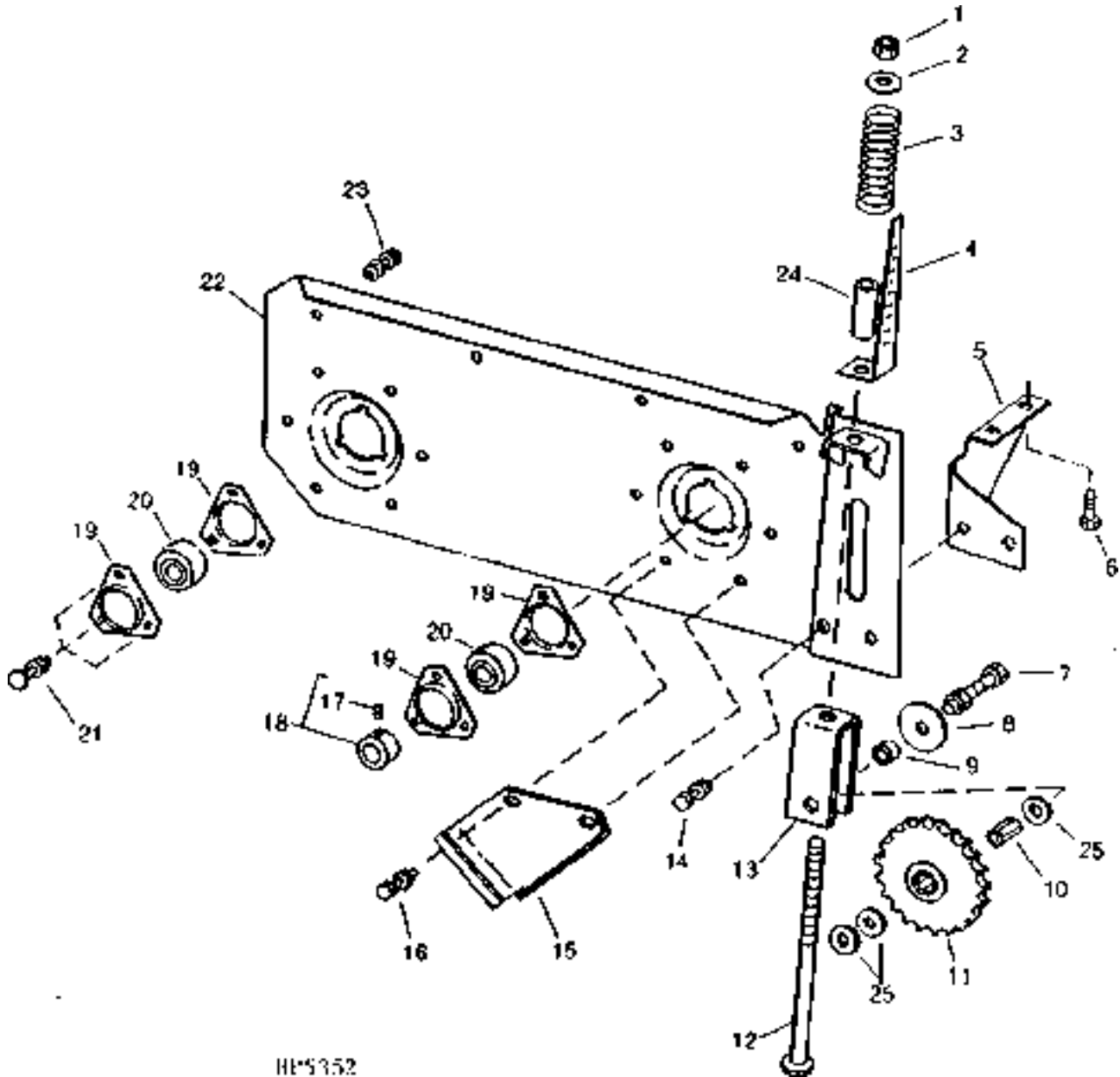
KEY	PART NO.	PART NAME	QTY	SERIAL NO.	REMARKS
1	N72989	BUSHING	1		
2A	H116292	SPLINED COUPLING	1		
2B	AH122717	GUDGEON	1	670401-	USED ON 5.2M AND 6.1 AUGER
3	AH112435	AUGER	1	-670400	(5-1/2 FT.) PLUS 14 FT. EQUALS 20 FT.
	AH151413	AUGER	1	670401-	5.2M, OUTER
	AH151414	AUGER	1	670401-	6.1M OUTER
4	JD9373	BALL BEARING	1		
5	H114873	HOUSING	1		
6	03M7192	BOLT	2	-670400	M10 X 30
	14M7296	FLANGE NUT	2		M10
	03M7193	BOLT	2	670401-	M10 X 35, USED ON 5.2M AND 6.1M
7	AH122717	GUDGEON	1		
8	24H1300	WASHER	AR		25/64" X 2" X 0.220"
	24H1311	WASHER	AR		13/32" X 1-1/4" X 0.220"
9	H119566	STRIP	AR		100 MM (4") LONG
	H119567	STRIP	AR		125 MM (5") LONG
	H119568	STRIP	AR		150 MM (6") LONG
10	03H1495	BOLT	AR		3/8" X 1-1/2"
	03H1557	BOLT	AR		3/8" X 1-1/4"
	K40003	LOCK NUT	AR		
11	AH143727	AUGER	1		(SUB FOR AH140332) (11-1/2 FT) PLUS 5-1/2 = 17 FT.
	AH143731	AUGER	1	655542-	(14 FT) PLUS 5-1/2 = 20 FT.
	AH151403	AUGER	1	670401-	5.2M AND 6.1M
12	22H897	SET SCREW	1		1/4" X 1/4"
13	JD8554	ECCENTRIC LOCKING COLLAR	1		
14	03M7184	BOLT	3		M8 X 20
	14M7298	FLANGE NUT	3		M8
15	H103264	PRESSED FLANGED HOUSING	2		
16	JD8665	BALL BEARING	1		
17	H96645	CAP	1		
18	19M7866	SCREW	5		M8 X 20
	14M7298	FLANGE NUT	5		M8
19	21H1029	SCREW	3	-640400	7.925 X 19.050 MM (5/16" X 3/4")
	12H303	LOCK WASHER	3	-640400	7.938 MM (5/16")
	14H785	NUT	3	-640400	7.925 MM (5/16")
20	H114709	CLIP	6	-640400	
21	H113717	CLIP	3	-640400	
22	AH111354	SEAL	1	-640400	
23	J18468	SPRING	2		
24	AH132230	DOOR	1		(INCLUDES Z24604)
	Z24604	HINGE	1		
25	19M7868	SCREW	1	660401-	M8 X 30
26	14M7298	FLANGE NUT	1	660401-	M8
27	H158817	PLATE	1	670401-	
28	03M7183	BOLT	2	670401-	M8 X 16
	14M7298	FLANGE NUT	2	670401-	M8
29	N189220	TIE BAND	1	670401-	

# 6G24

CLEAN GRAIN ELEVATOR, GRAIN TANK AND UNLOADING AUGER

## CROSS AUGER BEARING PLATE - LEFT-HAND

HP5352 -UN-01JAN94



HP5352

# 6G25

CLEAN GRAIN ELEVATOR, GRAIN TANK AND UNLOADING AUGER

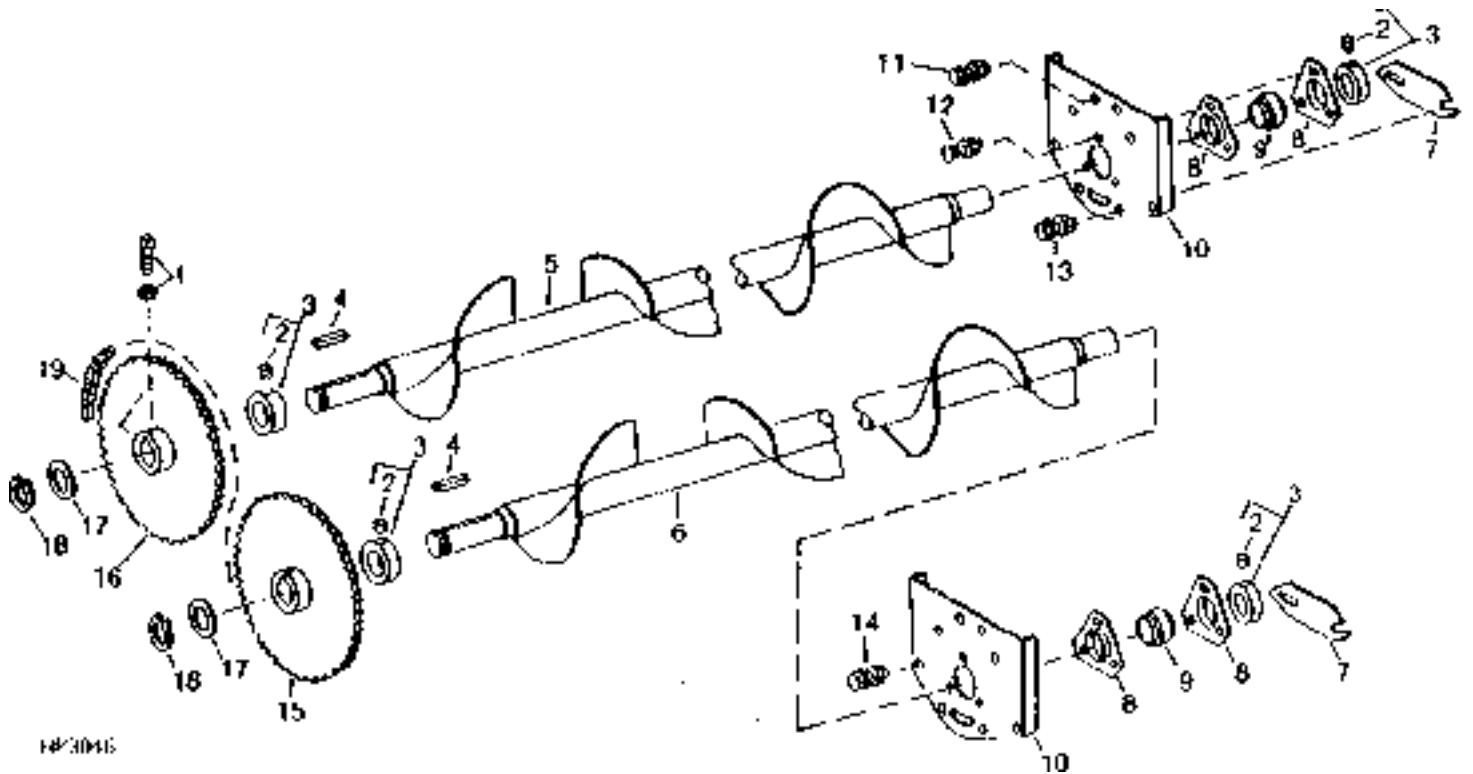
## CROSS AUGER BEARING PLATE, LEFT-HAND - CONTINUED

KEY	PART NO.	PART NAME	QTY	SERIAL NO.	REMARKS
1	14M7275	NUT	2	M12	
2	24H1346	WASHER	1	17/32" X 1-3/4" X 0.120"	
3	R35542	SPRING	1		
4	H127923	GAUGE	1		
5	H127922	REINFORCEMENT	1		
6	19M7784	SCREW	2	M10 X 20	
7	19M7364	CAP SCREW	1	M12 X 80	
	14M7299	FLANGE NUT	1	M12	
8	24H1916	WASHER	1	17/32" X 3-1/2" X 0.180" 0.531" X 76.2" X 0.118", (SUB FOR H80228)	
9	A22724	WASHER	1	0.510" X 3/4" X 0.210"	
10	H114395	SPACER	1		
11	AH106606	CHAIN SPROCKET	1	24-TOOTH (INCLUDES (1) JD7126 BALL BEARING	
	JD7126	BALL BEARING	1		
12	H163787	BOLT	1	(SUB FOR H119997)	
13	H119996	CHANNEL	1	IDLER SUPPORT	
14	19M7866	SCREW	2	M8 X 20	
	14M7298	FLANGE NUT	2	M8	
15	H133579	STOP	1		
16	19M7866	SCREW	4	M8 X 20	
	14M7396	LOCK NUT	4	M8	
17	22M7081	SET SCREW	2	M10 X 10	
18	AH133191	ECCENTRIC LOCKING COLLAR	2		
19	H161529	PRESSED FLANGED HOUSING	4	(SUB FOR H103265, THIS APPLICATION)	
20	JD39104	BALL BEARING	2		
	AH139296	BALL BEARING	2		
21	03M7191	BOLT	6	M10 X 25	
	14M7296	FLANGE NUT	6	M10	
22	AH141201	SUPPORT	1		
23	19M7784	SCREW	12	M10 X 20	
	14M7296	FLANGE NUT	12	M10	
24	H116161	HOSE	1	-645544	(70MM) MAKE FROM TY22326 BULK HOSE
25	24M7242	WASHER	3		21.400 X 42 X 5 MM

# 6H1

CLEAN GRAIN ELEVATOR, GRAIN TANK AND UNLOADING AUGER

GRAIN TANK CROSS AUGERS  
HP3048 -UN-01JAN94



HP3048



# 6H2

## CLEAN GRAIN ELEVATOR, GRAIN TANK AND UNLOADING AUGER

### GRAIN TANK CROSS AUGERS - CONTINUED

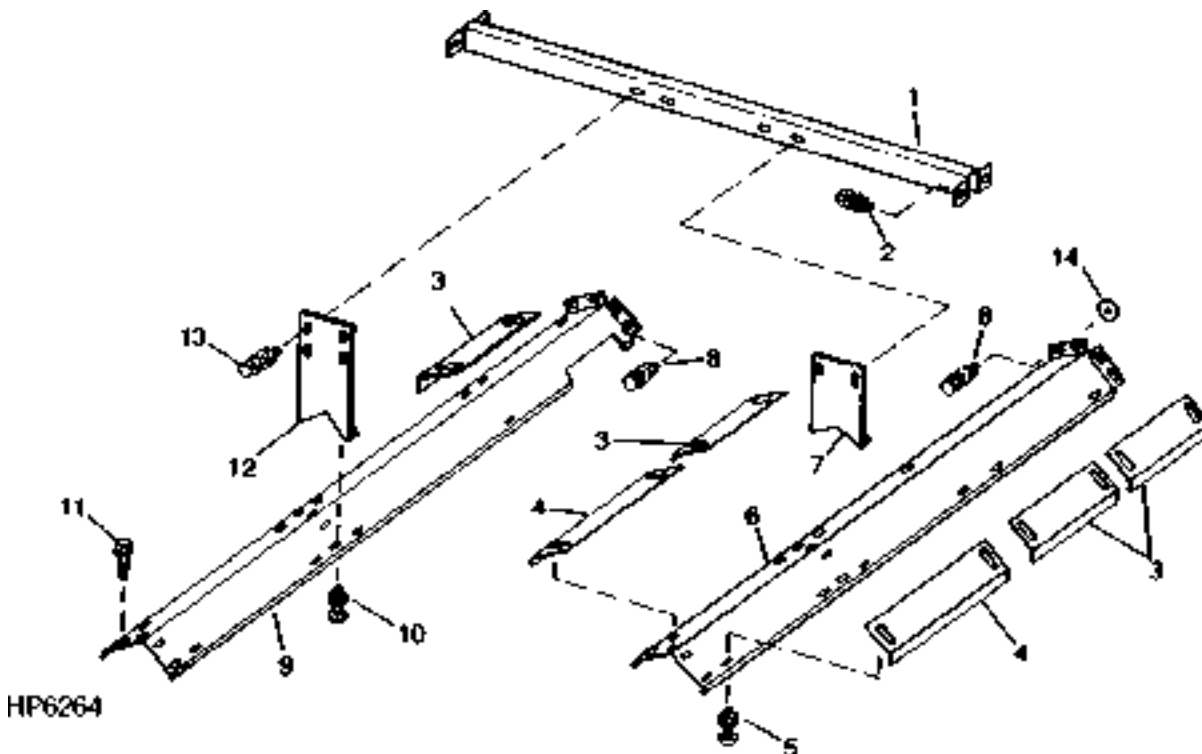
KEY	PART NO.	PART NAME	QTY	SERIAL NO.	REMARKS
1	H138435	SET SCREW	4		
	14M7152	NUT	4	M10	
2	22M7081	SET SCREW	4	M10 X 10	
3	AH133191	ECCENTRIC LOCKING COLLAR	4		
4	.....	SHAFT KEY	2		10 X 8 X 40 MM (IN AH141142 KEY STOCK KIT) (CUT FROM H150270)
5	AH167847	AUGER	1		(SUB FOR AH138398 OR AH154965) FRONT-HEAVY DUTY
6	AH167848	AUGER	1		(SUB FOR AH154966) REAR-HEAVY DUTY
7	H102909	COVER	2		
8	H103265	PRESSED FLANGED HOUSING	4	-670635	
	H161529	PRESSED FLANGED HOUSING	4	670636-	
9	JD39104	BALL BEARING	2		
	AH139296	BALL BEARING	2		
10	H126280	REINFORCEMENT	2		BEARING PLATE - R.H.
11	19M7784	SCREW	8	M10 X 20	
	14M7296	FLANGE NUT	8	M10	
12	03M7190	BOLT	3	M10 X 20	
	14M7296	FLANGE NUT	3	M10	
13	19M7866	SCREW	4	M8 X 20	
	14M7396	LOCK NUT	4	M8	
14	19M7866	SCREW	4	M8 X 20	
	14M7298	FLANGE NUT	4	M8	
15	AH125070	CHAIN SPROCKET	1		49-TOOTH (REAR), REGULAR
	AH140001	CHAIN SPROCKET	1		60-TOOTH (REAR), SLOW DOWN
16	AH140001	CHAIN SPROCKET	1		60-TOOTH, (FRONT), SLOW DOWN
	AH125070	CHAIN SPROCKET	1		49-TOOTH, (REAR), REGULAR
17	24H1511	WASHER	AR		1-13/32" X 1-3/4" X 0.060"
18	40M7046	SNAP RING	1		
19	AH126837	LINK CHAIN	1		ROLLER, TYPE 60H - 19 MM (3/4") PITCH, 198 LINKS (REGULAR SPEED)
	AH146359	LINK CHAIN	1		(SUB FOR AH140004) ROLLER, TYPE 60H - 19MM (3/4") PITCH, 204 LINKS (SLOW DOWN SPEED)

# 6H3

CLEAN GRAIN ELEVATOR, GRAIN TANK AND UNLOADING AUGER

## CROSS AUGER COVERS AND CHANNEL

HP6264 -UN-23JAN96



KEY	PART NO.	PART NAME	QTY	SERIAL NO.	REMARKS
1	H126801	CHANNEL	1		
2	19M7784	SCREW	4	M10 X 20	
	14M7296	FLANGE NUT	4	M10	
3	H129472	COVER	AR	SMALL ADJUSTABLE	
4	H129471	COVER	4	LARGE ADJUSTABLE	
5	03M7183	BOLT	20	M8 X 16	
	14M7298	FLANGE NUT	20	M8	
6	H129465	COVER	1	REAR	
7	H126802	SUPPORT	1	REAR COVER	
8	19M7784	SCREW	8	M10 X 20	
	14M7296	FLANGE NUT	8	M10	
9	H129464	COVER	1	FRONT	
10	03M7183	BOLT	8	M8 X 16	
	14M7298	FLANGE NUT	8	M8	
11	37M7058	SCREW	8	M8 X 20, (THREAD ROLLING)	
12	H126804	SUPPORT	1	FRONT COVER	
13	19M7865	SCREW	4	M8 X 16	
	14M7298	FLANGE NUT	4	M8	
14	H141123	NUT	8		
..	<b>BH81165</b>	<b>COMPLETE GOODS/SHIP. BUNDLE</b>	<b>1</b>	<b>COVER - AUGER ADJ.</b>	

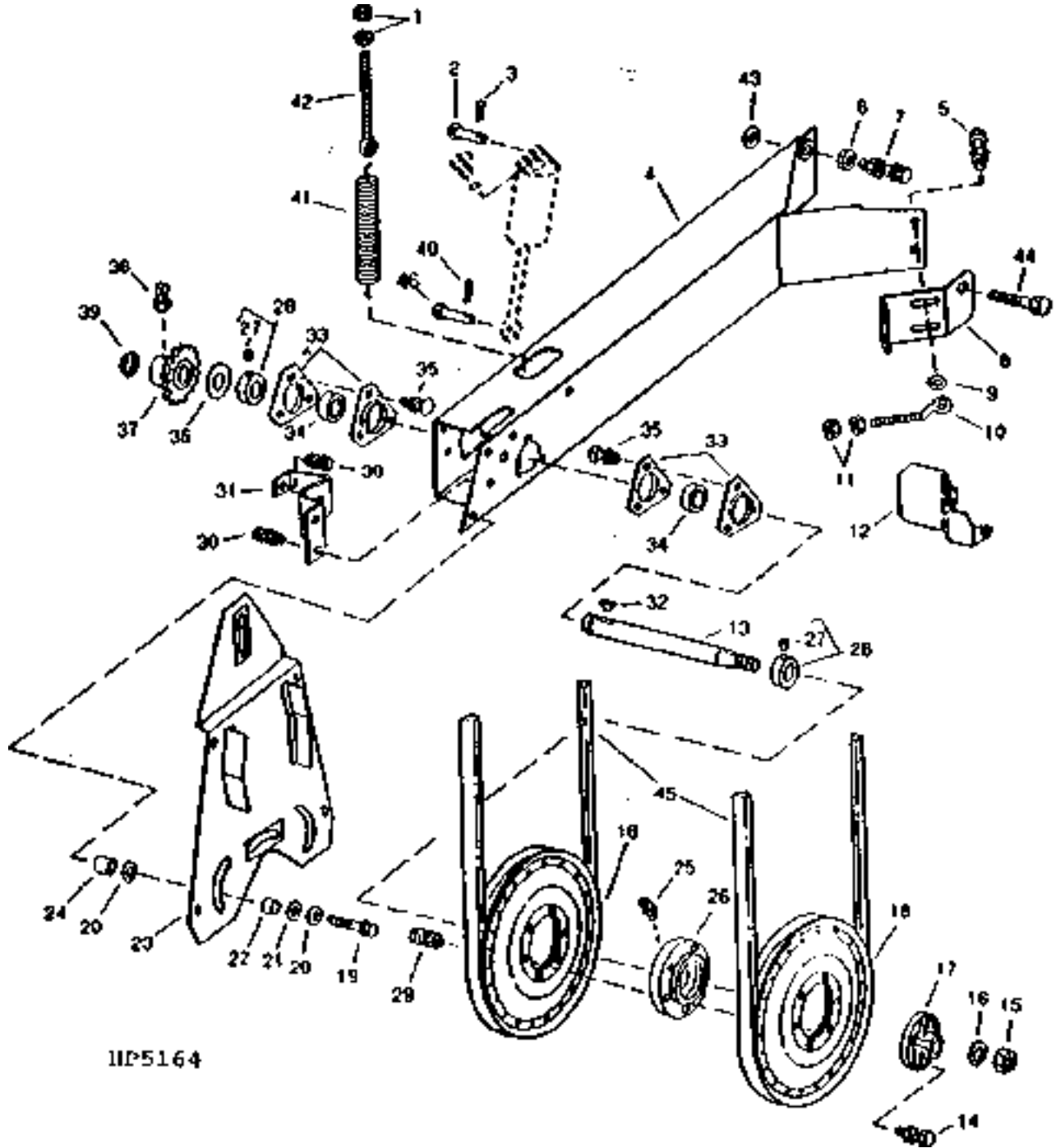
MEMORANDA

# 6H4

CLEAN GRAIN ELEVATOR, GRAIN TANK AND UNLOADING AUGER

## UNLOADING AUGER COUNTERSHAFT DRIVE

HP5164 -UN-01JAN94



HP5164

# 6H5

CLEAN GRAIN ELEVATOR, GRAIN TANK AND UNLOADING AUGER

## UNLOADING AUGER COUNTERSHAFT DRIVE - CONTINUED

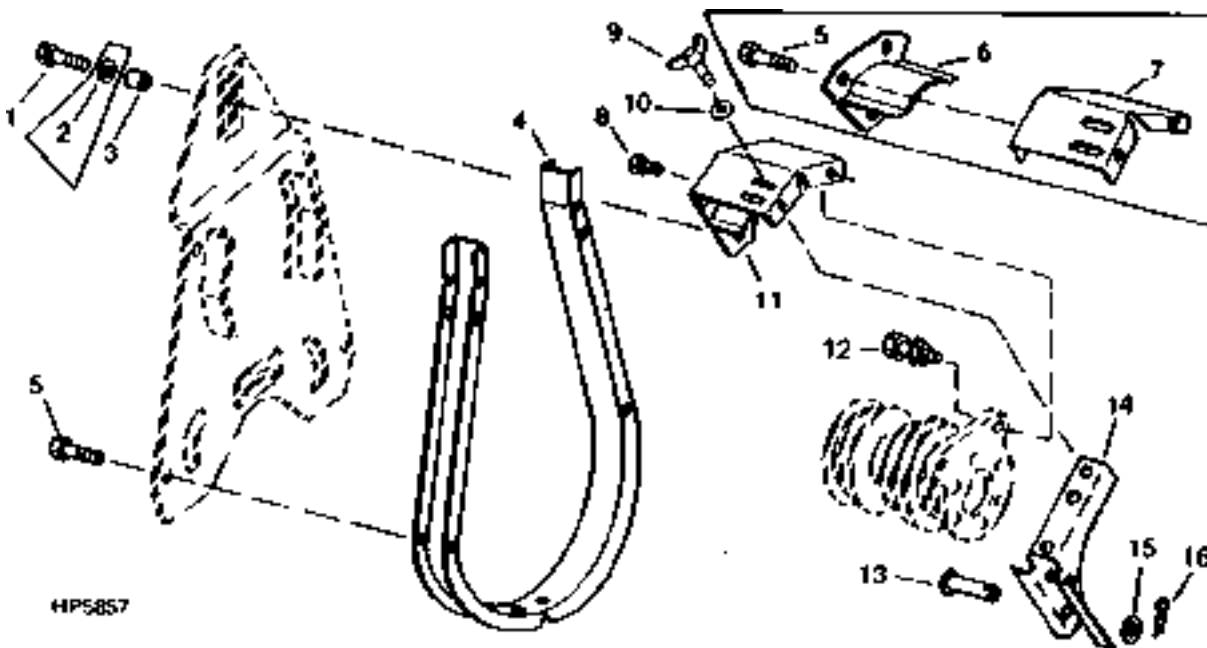
KEY	PART NO.	PART NAME	QTY	SERIAL NO.	REMARKS
1	14M7296	FLANGE NUT	2		M10
2	H98765	PIN	2	-645685	
	H98765	PIN	1	645686-	
3	11M7059	COTTER PIN	1		3.200 X 20 MM
4	AH144068	ARM	1		(SUB FOR AH134549)
5	19M7835	SCREW	2		M10 X 35
	14M7296	FLANGE NUT	2		M10
6	Z33404	SPACER	2		
7	19M7794	SCREW	1		M16 X 50
	A31869	LOCK NUT	2		M16
8	AH118993	BRACKET	1		
9	24M7178	WASHER	2		10.500 X 30 X 2.500 MM
10	H116262	EYEBOLT	2		
11	14M7274	NUT	4		M10
12	H137869	SHIELD	1		
13	H133024	COUNTERSHAFT	1		
14	19M7185	CAP SCREW	1		M8 X 60, ( SHEAR BOLT )
	E64256	LOCK NUT	1		M8
15	A31871	LOCK NUT	1		M24
16	24M7091	WASHER	1		26 X 44 X 4 MM
17	H133026	HUB	1		
18	AH106096	PULLEY	2		
19	19M8318	SCREW	3		M8 X 45
20	24M7207	WASHER	6		8.400 X 24 X 2 MM
21	24H1357	WASHER	2		19/32" X 1-5/32" X 0.090", ( AT LONG SLOTS ONLY )
22	28H1511	WASHER	3		0.364" X 0.540" X 1/4"
23	AH140901	GUARD	2		
24	28H2531	BUSHING	3		
25	JD7797	LUBRICATION FITTING	1		
26	H133025	HUB	1		
27	22M7081	SET SCREW	2		M10 X 10
28	AH133191	ECCENTRIC LOCKING COLLAR	2		
29	19M8317	SCREW	6		M8 X 40
	14M7298	FLANGE NUT	6		M8
30	19M7866	SCREW	3		M8 X 20
	14M7298	FLANGE NUT	3		M8
31	H133690	BRACKET	1		
32	26M6787	SHAFT KEY	2		10 X 32 MM, (WOODRUFF)
33	H103265	PRESSED FLANGED HOUSING	4		
34	JD39104	BALL BEARING	1		
	AH139296	BALL BEARING	1		
35	03M7190	BOLT	6		M10 X 20
	14M7296	FLANGE NUT	6		M10
36	24H1510	WASHER	2		1-13/32" X 1-3/4" X 0.120"
37	AH128075	CHAIN SPROCKET	1		19 TOOTH
	AH128074	CHAIN SPROCKET	1	660401-	(RICE ONLY) 17 TOOTH
38	H138435	SET SCREW	2		
	14M7274	NUT	2		M10
39	P44478	SNAP RING	1		
40	J16931	SPRING LOCKING PIN	1		
41	H173011	LEAF SPRING	1		(SUB FOR H146310)
42	H114738	EYEBOLT	1		
43	24H1684	WASHER	2		11/16" X 2" X 0.105"
44	19M7824	SCREW	1		M16 X 60
45	AH158880	BELT SET	1		(SUB FOR AH127866)
46	H148340	PIN	1	645686-	

# 6H6

CLEAN GRAIN ELEVATOR, GRAIN TANK AND UNLOADING AUGER

## UNLOADING AUGER DRIVE BELT GUIDE

HP5857 -UN-14OCT94



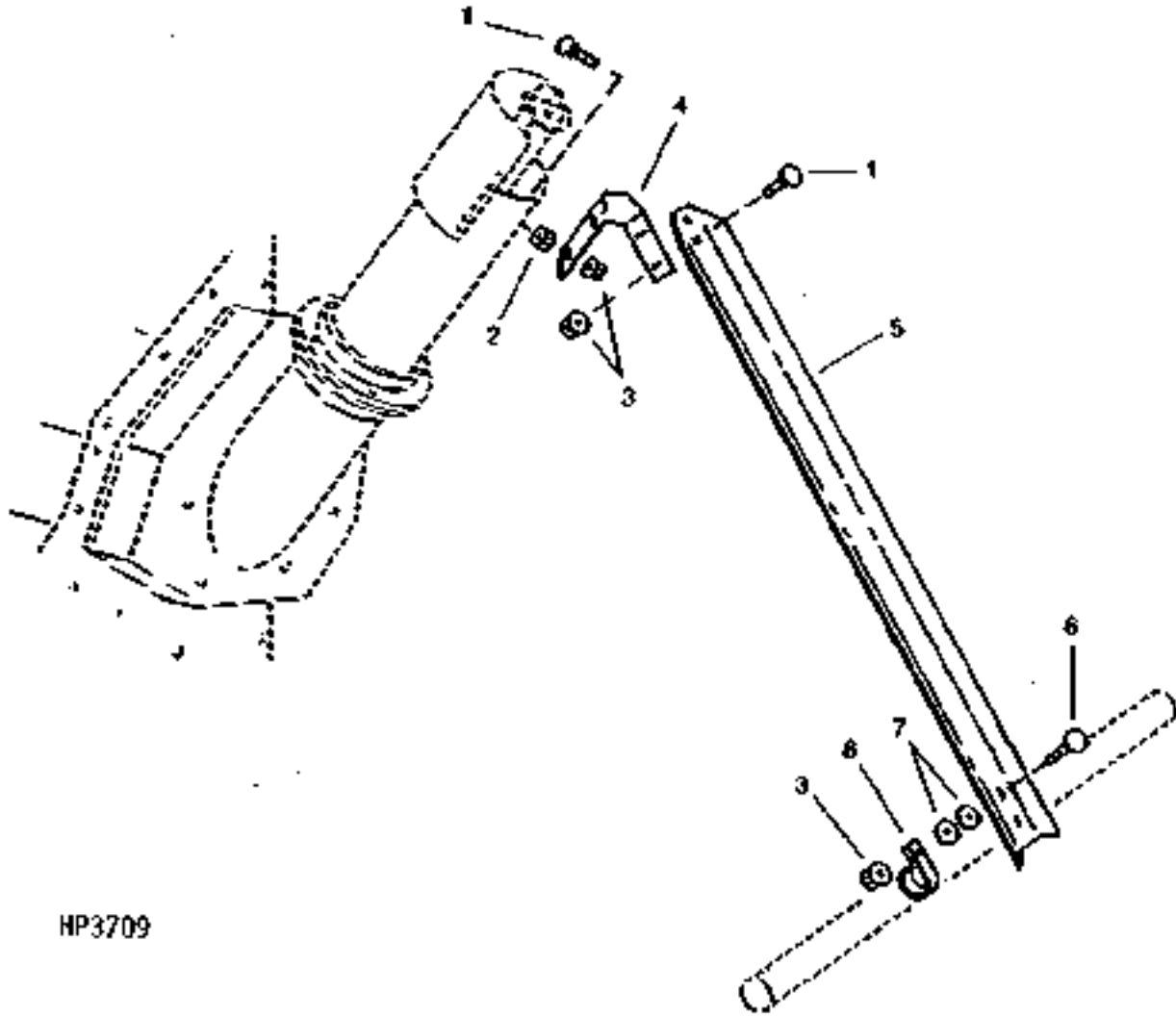
KEY	PART NO.	PART NAME	QTY	SERIAL NO.	REMARKS
1	19M7866	SCREW	1	-670405	M8 X 20
	19M7867	SCREW	1	670406-	M8 X 25
2	24M7207	WASHER	1	-655472	8.400 X 24 X 2 MM
3	28H1511	WASHER	1		0.364" X 0.540" X 1/4"
4	AH116390	GUIDE	1		
5	19M7865	SCREW	6		M8 X 16, (INTO WELDNUTS)
6	AH142295	SUPPORT	1	-650400	(SUB AH152654) (SUB FOR AH125556)
7	AH142295	SUPPORT	1	-650400	(SUB AH152654) (SUB FOR AH128860)
8	37M7058	SCREW	2	650401-	M8 X 20
9	21M7269	WING SCREW	2		M8 X 20
10	24M7207	WASHER	2		8.400 X 24 X 2 MM
11	AH152654	SUPPORT	1		(SUB FOR AH142295)
12	19M7785	SCREW	2		M10 X 25
	14M7296	FLANGE NUT	2		M10
13	45M7042	PIN	2		12 X 50 MM
14	AH127604	GUIDE	1		FOR STRAW CHOPPER DRIVE BELT
15	24M7047	WASHER	2		13 X 24 X 2.500 MM
16	11M7015	COTTER PIN	2		3.200 X 25 MM

MEMORANDA

# 6H7

CLEAN GRAIN ELEVATOR, GRAIN TANK AND UNLOADING AUGER

GRAIN TANK SAMPLING TROUGH  
HP3709 -UN-01JAN94



HP3709



# 6H8

CLEAN GRAIN ELEVATOR, GRAIN TANK AND UNLOADING AUGER

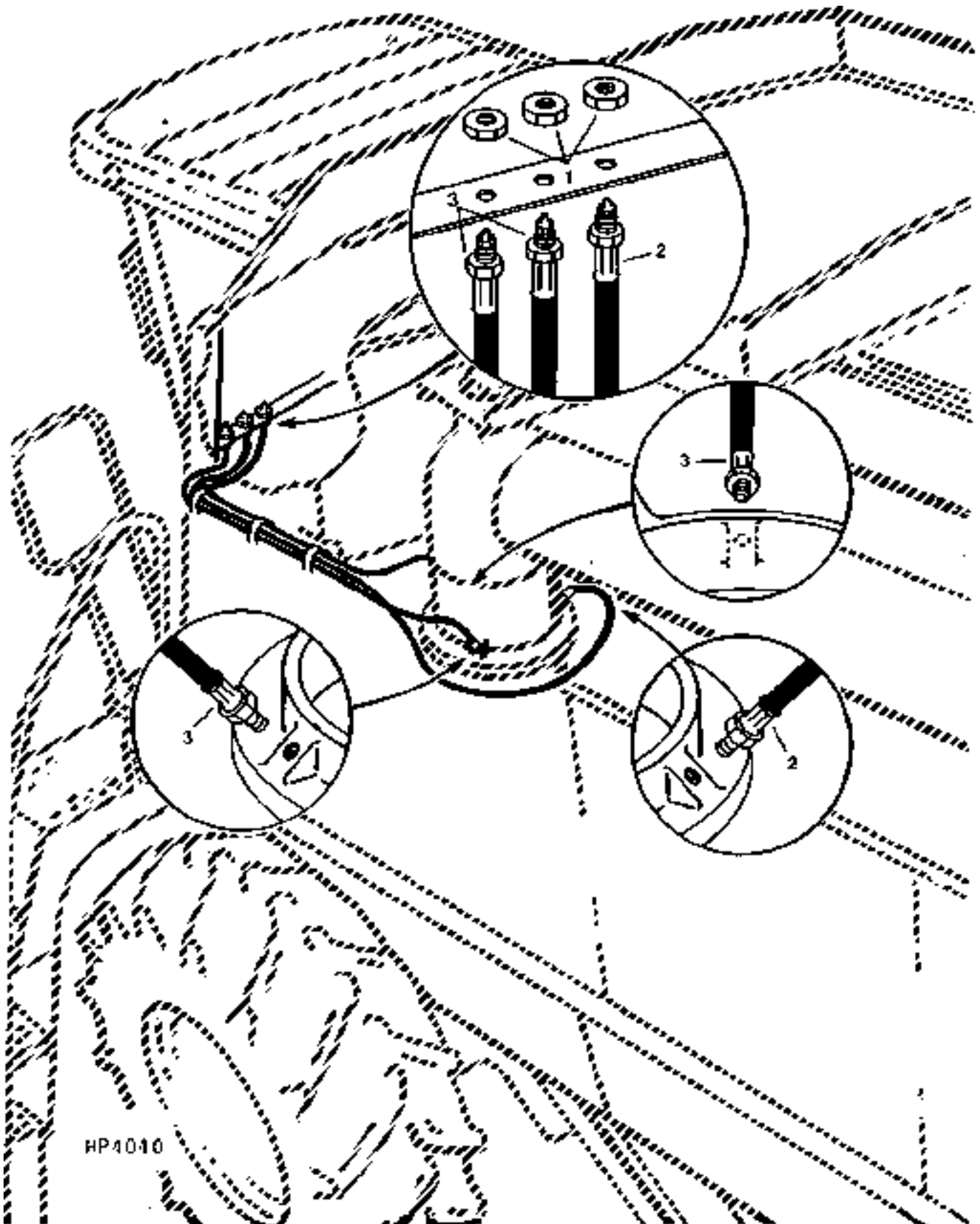
## GRAIN TANK SAMPLING TROUGH - CONTINUED

KEY	PART NO.	PART NAME	QTY	SERIAL NO.	REMARKS
1	03M7184	BOLT	4		M8 X 20
2	M84309	NUT	2		7.925 MM
3	14M7396	LOCK NUT	4		M8
4	H136306	BRACKET	1		
5	H136304	TROUGH	1		
6	03M7188	BOLT	1		M8 X 40
7	H28031	WASHER	2		13/32" X 1-1/8" X 3/8"
8	AH77714	CLIP	1		

# 6H9

CLEAN GRAIN ELEVATOR, GRAIN TANK AND UNLOADING AUGER

UNLOADING AUGER LUBE BANK  
HP4040 -UN-01JAN94



HP4040

# 6H10

CLEAN GRAIN ELEVATOR, GRAIN TANK AND UNLOADING AUGER

## UNLOADING AUGER LUBE BANK - CONTINUED

KEY	PART NO.	PART NAME	QTY	SERIAL NO.	REMARKS
1	E12379	NUT	1		3.175 MM (1/8")
2	AH136554	HOSE	1		1/8" X 2 050 MM (80-3/4") X 1/8"
3	AH136553	HOSE	1		1/8" X 1 600 MM (63") X 1/8"

MEMORANDA

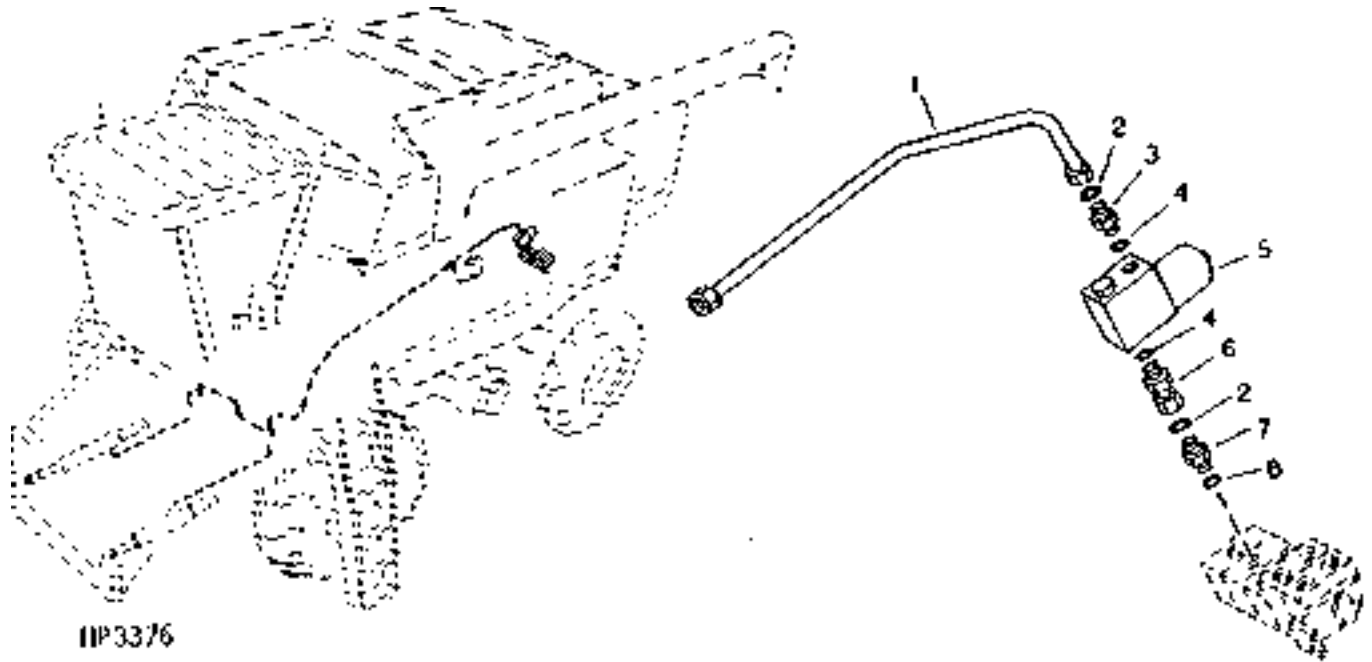
MEMORANDA

# 6H12

DIAL-A-MATIC HEADER HEIGHT CONTROL

**HYDRAULIC LINE AND VALVE BLOCK  
(DIAL-A-MATIC HEADER HEIGHT CONTROL)**

HP3376 -UN-01JAN94



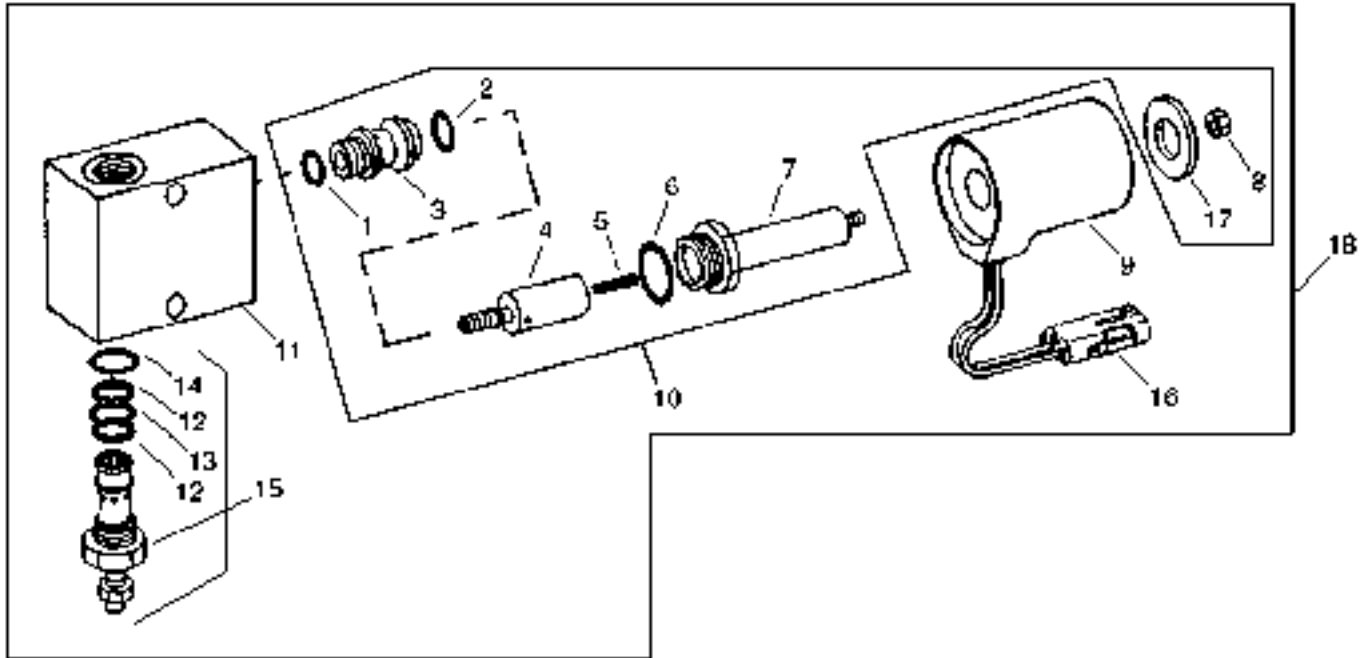
HP3376

KEY	PART NO.	PART NAME	QTY	SERIAL NO.	REMARKS
1	AH128727	HYDRAULIC LINE	1		
2	T77857	O-RING	2		
3	38H1161	ADAPTER	1		
4	R26375	O-RING	2		
5	AH125910	SOLENOID VALVE	1		
6	38H1068	ADAPTER	1		
7	38H1173	ADAPTER	1		
8	R26448	O-RING	1		
..	<b>BH78374</b>	<b>COMPLETE GOODS/SHIP. BUNDLE</b>	<b>1</b>		<b>DIAL-A-MATIC HEADER HEIGHT CONTROL</b>

# 6H13

DIAL-A-MATIC HEADER HEIGHT CONTROL

DIAL-A-MATIC HEADER HEIGHT CONTROL VALVE  
HP8033 -UN-21APR99



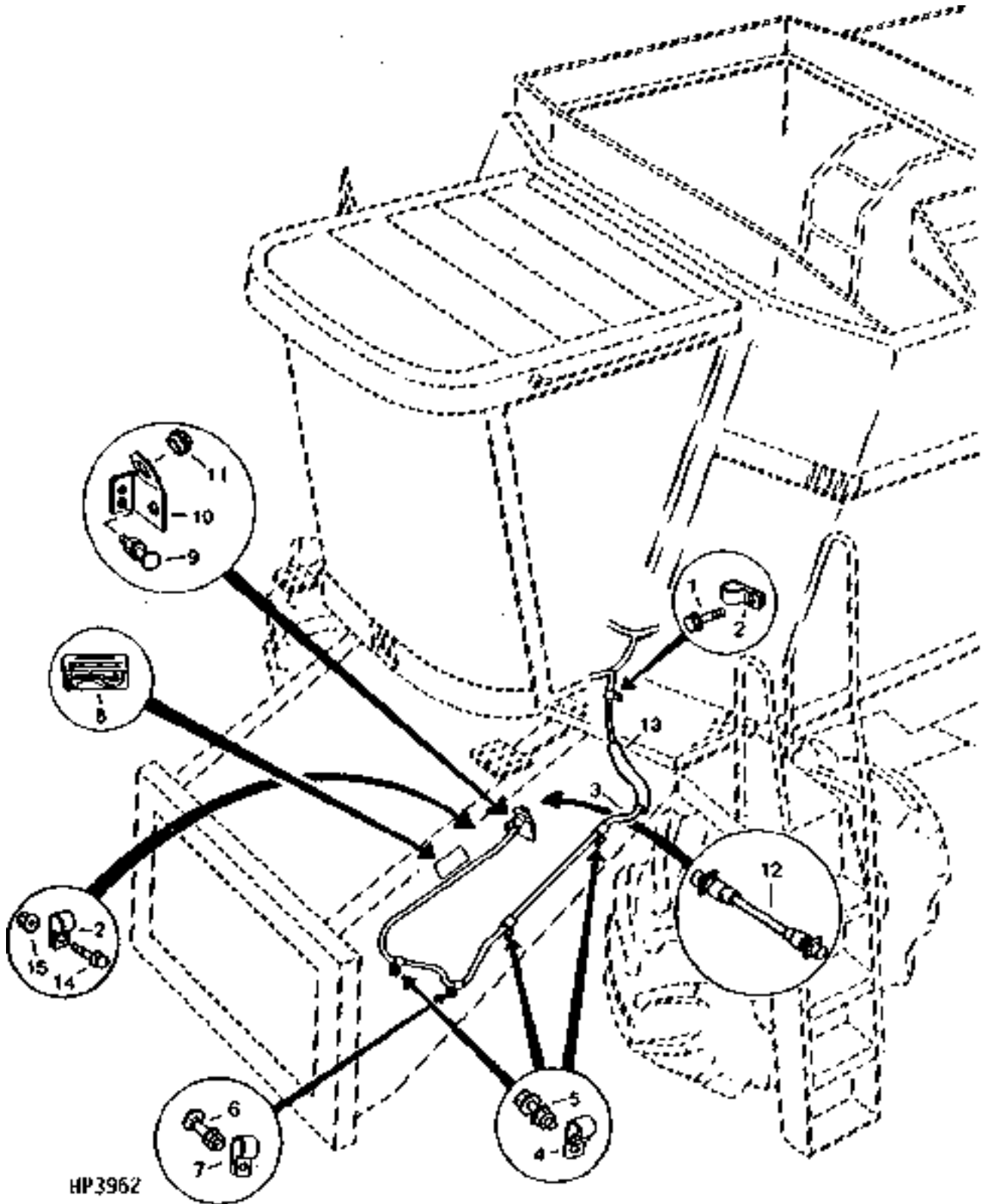
**HP8033**

KEY	PART NO.	PART NAME	QTY	SERIAL NO.	REMARKS
1	R28776	O-RING	1		
2	T75984	O-RING	1		
3	.....	VALVE SPOOL	1		
4	.....	PLUNGER	1		
5	.....	SPRING	1		
6	R27928	O-RING	1		
7	.....	GUIDE	1		
8	14H866	NUT	1	5/8"	
9	AH131572	ELECTRICAL COIL	1		
10	AH131571	VALVE	1		
11	H135964	HOUSING	1		
12	.....	BACK-UP RING	2		
13	.....	O-RING	1		
14	R26906	O-RING	1		
15	AH131570	VALVE	1		
16	R78053	PIN CONTACT CONNECTOR BODY	1		
	R78059	ELECTRICAL PLUG	1		
	R78061	PIN CONTACT	1		
17	24H1368	WASHER	1	21/32" X 1-5/16" X 0.090"	
18	AH125910	SOLENOID VALVE	1		
19	.....	SET SCREW	1	(SUB AH156333)	
20	.....	KNOB	1	(SUB AH156333)	
21	.....	KNOB	1	(SUB AH156333)	
22	AH156333	KIT	1		
..	<b>BH78374</b>	<b>COMPLETE GOODS/SHIP. BUNDLE</b>	<b>1</b>		<b>DIAL-A-MATIC HEADER HEIGHT CONTROL</b>

# 6H14

DIAL-A-MATIC HEADER HEIGHT CONTROL

ELECTRICAL HARNESS  
(DIAL-A-MATIC HEADER HEIGHT CONTROL)  
HP3962 -UN-01JAN94



HP3962



# 6H15

DIAL-A-MATIC HEADER HEIGHT CONTROL

**ELECTRICAL HARNESS - CONTINUED  
(DIAL-A-MATIC HEADER HEIGHT CONTROL)**

KEY	PART NO.	PART NAME	QTY	SERIAL NO.	REMARKS
1	37M7083	SCREW	1		M8 X 12
2	AH89557	CLIP	2		
3	AH134224	WIRING HARNESS	1		
4	AH89557	CLIP	3	-642859	
5	03M7189	BOLT	3		M8 X 45
	14M7298	FLANGE NUT	3		M8
6	03M7183	BOLT	1		
	14M7298	FLANGE NUT	1		
7	AH89557	CLIP	1		
8	H137939	LABEL	1		(IMPORTANT)
9	03M7183	BOLT	1		M8 X 16
	14M7298	FLANGE NUT	1		M8
10	H134417	BRACKET	1		
11	H146306	PLUG	1		(SUB FOR H130520)
12	AH128924	WIRING HARNESS	1		PIGTAIL TO CONNECT FEEDER HOUSE AND 200, 50, OR 50A SERIES ETC. ALSO REQUIRES AH89557 CLAMP, 19M7866 SCREW AND 14M7298 NUT
13	H132800	HOSE	1		SLEEVE FOR PROTECTION
14	19M7866	SCREW	1		M8 X 20
15	14M7298	FLANGE NUT	1		M8
..	<b>BH78374</b>	<b>COMPLETE GOODS/SHIP. BUNDLE</b>	<b>1</b>		<b>DIAL-A-MATIC HEADER HEIGHT CONTROL</b>

MEMORANDA

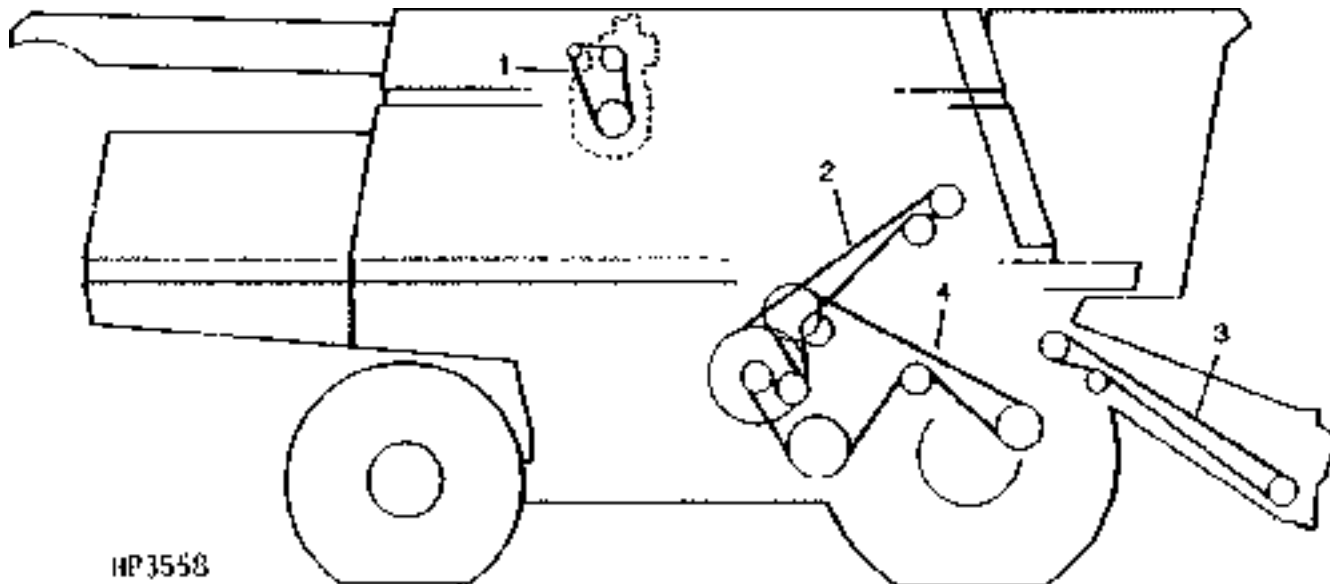
MEMORANDA

# 6H18

DECALS, BELTS AND CHAINS

## ALTERNATOR, SECONDARY COUNTERSHAFT, FEEDER CONVEYOR, SHOE, STRAW WALKER AND CONVEYOR AUGERS

HP3558 -UN-01JAN94



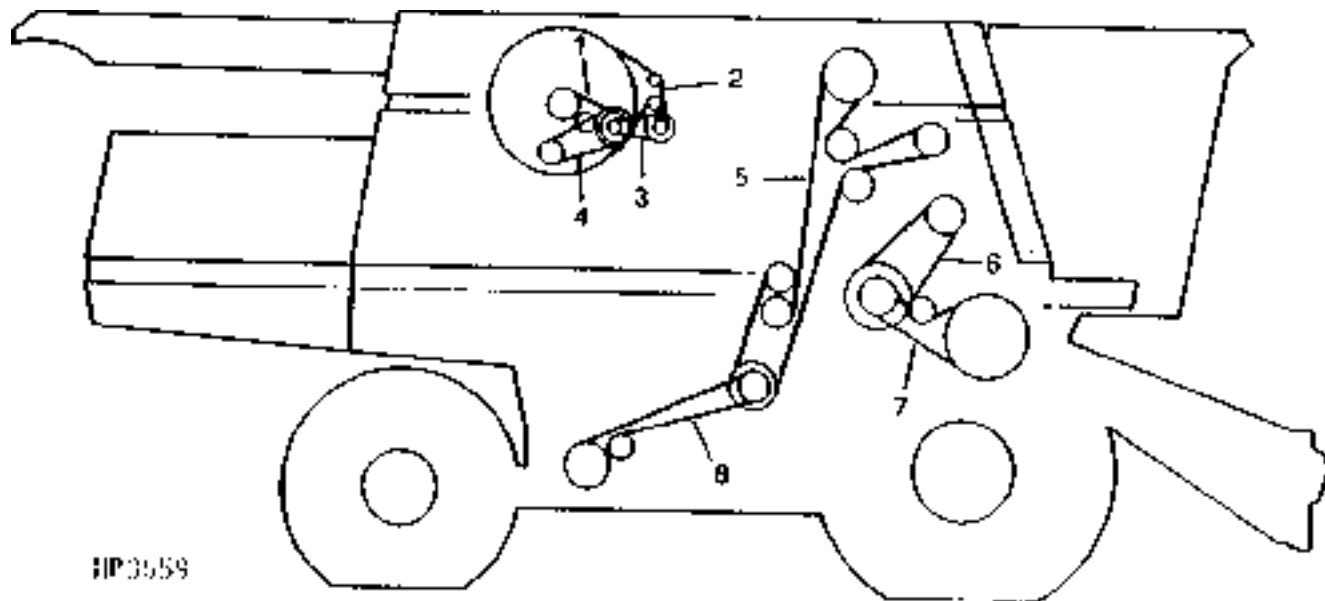
KEY	PART NO.	PART NAME	QTY	SERIAL NO.	REMARKS
1	H101813	BELT	1	645510-	12.700 X 1 479.550 MM (1/2" X 58-1/4") FOR ALTERNATOR
2	H128010	BELT	1		SECONDARY COUNTERSHAFT
3	AH118228	LINK CHAIN	1		FEEDER CONVEYOR CHAIN (ROLLER, TYPE 60, 19MM (3/4"), 223 LINKS
	AH145029	LINK CHAIN	1		FEEDER CONVEYOR CHAIN, ROLLER, TYPE 60 - 19 MM (3/4") PITCH, 219 LINKS
4	H131169	BELT	1		SHOE, STRAW WALKER AND CONVEYOR AUGERS

# 6H19

DECALS, BELTS AND CHAINS

COOLING FAN, ROTARY SCREEN, AIR CONDITIONING, CLEAN GRAIN ELEVATOR, CYLINDER INTERMEDIATE DRIVE,  
CYLINDER DRIVE AND LOWER TAILINGS AUGER AND ELEVATOR

HP3559 -UN-01JAN94



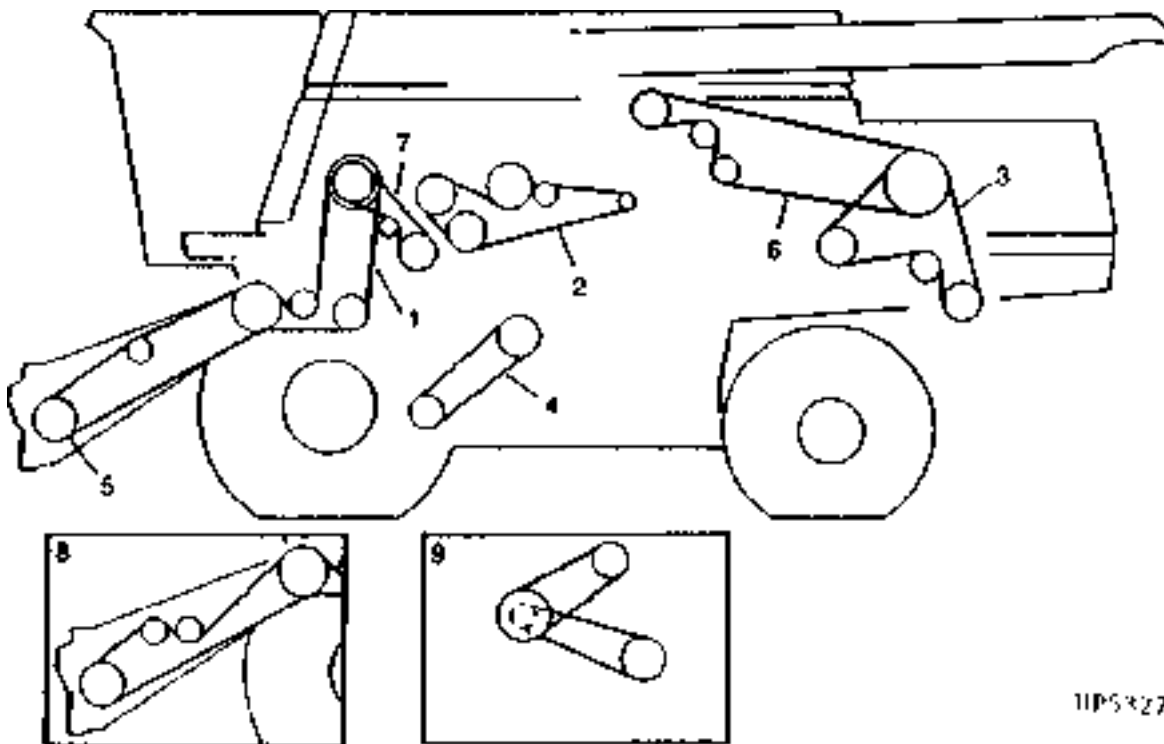
KEY	PART NO.	PART NAME	QTY	SERIAL NO.	REMARKS
1	H153297	BELT	1		(SUB FOR AH140623) COOLING FAN
2	H145158	BELT	1		
3	H134216	BELT	1	-645510	ROTARY SCREEN DRIVE
4	H146636	BELT	1	645511-	AIR CONDITIONING COMPRESSOR
	H134437	BELT	1		
	H81742	BELT	1	-650400	
	H80896	BELT	1	650401-	
5	H141167	BELT	1		CLEAN GRAIN ELEVATOR
6	H162629	BELT	1		(SUB FOR H115759) CYLINDER INTERMEDIATE DRIVE
7	H115881	BELT	1		CYLINDER DRIVE REGULAR DUAL-RANGE AND SINGLE RANGE
	H118618	BELT	1		CYLINDER DRIVE SLOW SPEED
8	N110085	BELT	1		LOWER TAILINGS AUGER AND ELEVATOR

# 6H20

DECALS, BELTS AND CHAINS

HEADER AND REEL PUMP, UNLOADING AUGERS, STRAW CHOPPER, CLEANING FAN, FEEDER HOUSE AND STRAW SPREADER (LEFT-HAND DRIVES)

HP5327 -UN-01JAN94



KEY	PART NO.	PART NAME	QTY	SERIAL NO.	REMARKS
1	H140160	BELT	1		FRONT END EQUIPMENT
2	AH126837	LINK CHAIN	1		ROLLER, TYPE 60H - 19 MM (3/4") PITCH, 198 LINKS (REGULAR SPEED)
	AH146359	LINK CHAIN	1		(SUB FOR AH140004) ROLLER, TYPE 60H - 19MM (3/4") PITCH, 204 LINKS (SLOW DOWN SPEED)
3	H141417	BELT	1		FRONT (STRAW CHOPPER)
4	H140404	BELT	1		REGULAR (750 - 1350 RPM) FAN DRIVE
	H137264	BELT	1		SLOW SPEED (490 - 980 RPM)
5	H125711	BELT	1		VARIABLE SPEED
6	H141429	BELT	1		SEPARATOR
7	H143700	BELT	1		BEATER DRIVE
8	H126345	BELT	1		FIXED SPEED FEEDER HOUSE
9	E61326	BELT	1		STRAW SPREADER
	P49604	BELT	1		
	M95728	BELT	1		CHAFF SPREADER DRIVE

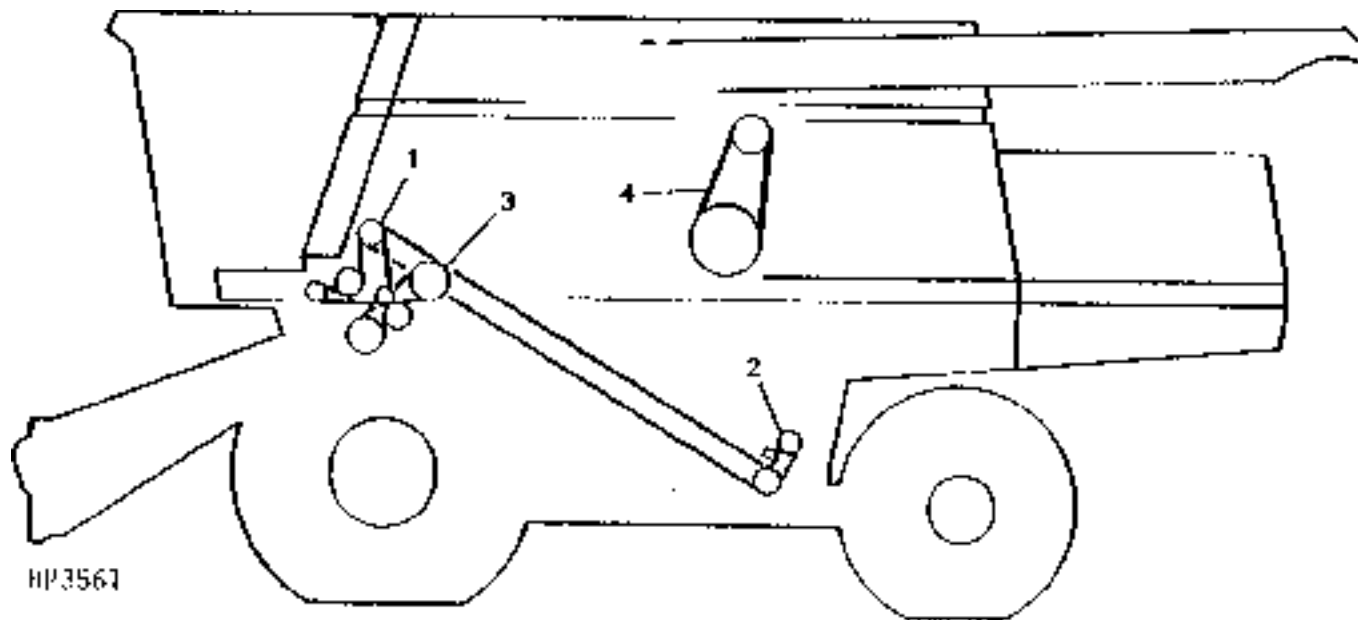
# 6H21

DECALS, BELTS AND CHAINS

## TAILINGS AUGER, BEATER AND UNLOADING SYSTEM BELTS AND CHAINS

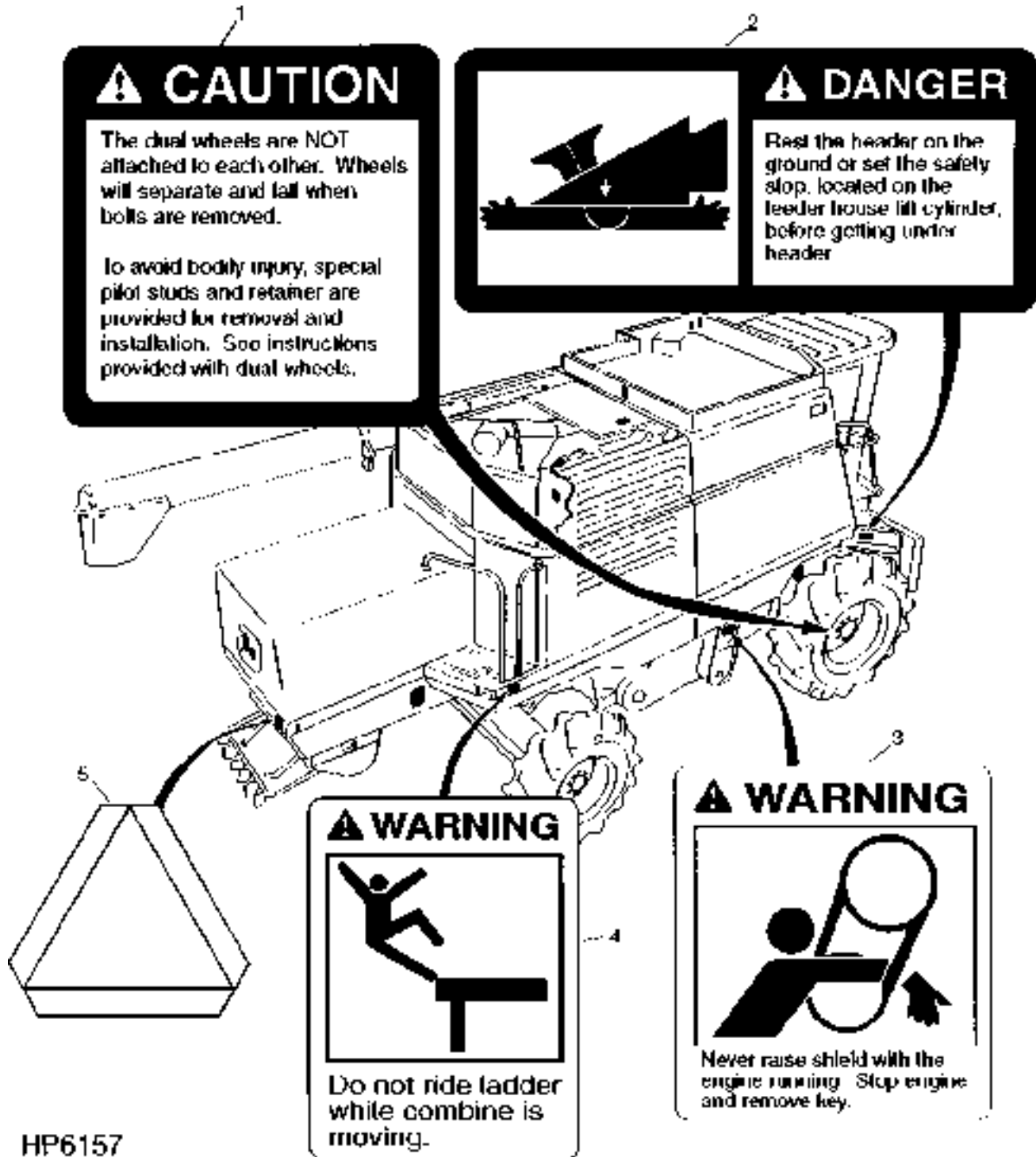
### LEFT-HAND SIDE

HP3561 -UN-01JAN94



KEY	PART NO.	PART NAME	QTY	SERIAL NO.	REMARKS
1	AH126007	ROLLER CHAIN	1		UPPER TAILINGS AUGER. ROLLER, TYPE 50, 123 LINKS
2	.....	ROLLER CHAIN	1		LOWER TAILINGS AUGER. ROLLER, TYPE 50, 16MM (5/8") PITCH, 43 LINKS. (ASSEMBLE FROM AN18482 OR AP22459, (1) P20351 AND (1) P20352)
3	H139963	BELT	1		STRIPPER BEATER
4	AH158880	BELT SET	1		(SUB FOR AH127866) UNLOADING SYSTEM

SAFETY DECALS AND LOCATIONS  
HP6157 -19-20SEP95





# 6H23

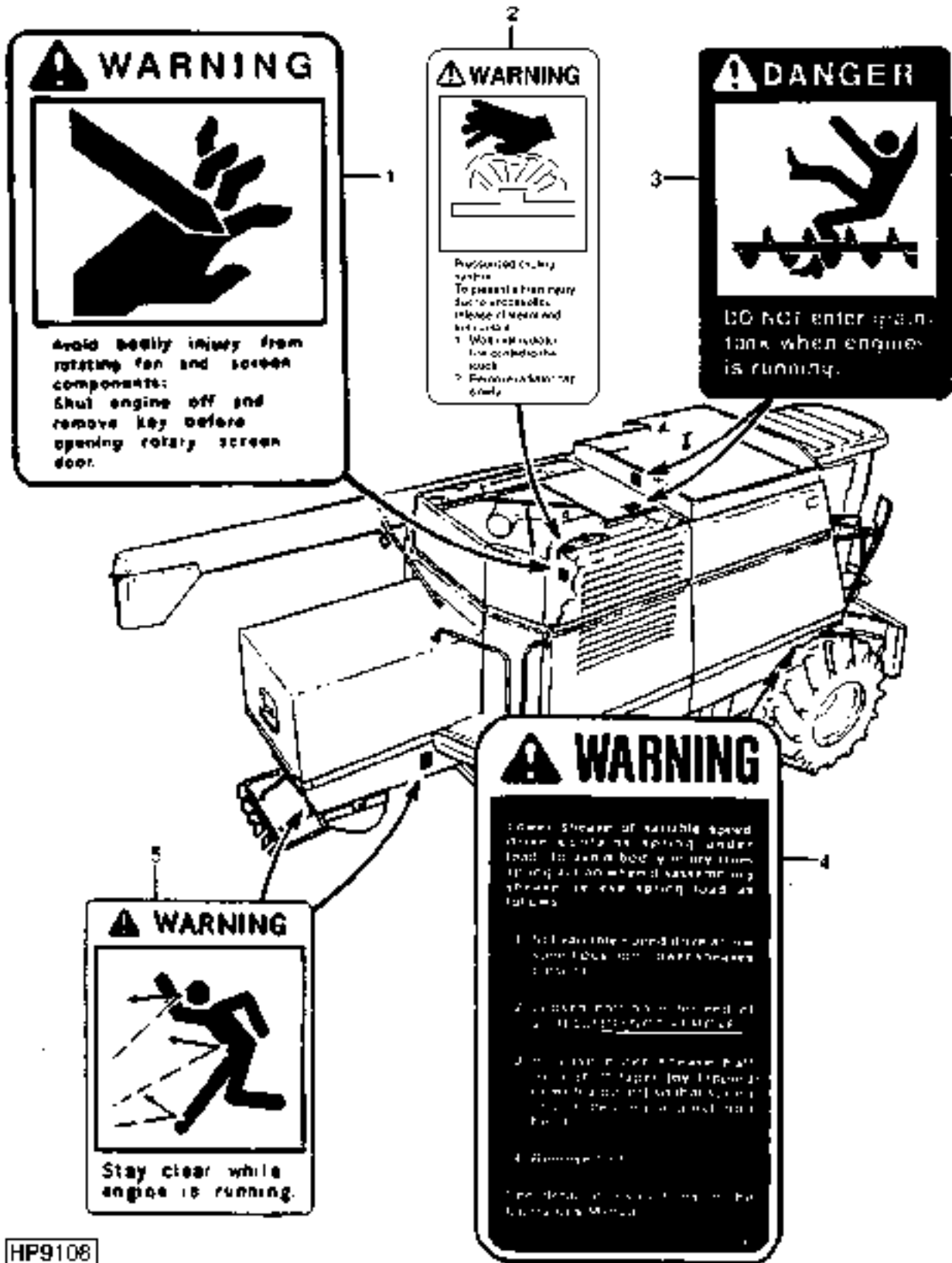
DECALS, BELTS AND CHAINS

## SAFETY DECALS AND LOCATIONS - CONTINUED

KEY	PART NO.	PART NAME	QTY	SERIAL NO.	REMARKS
1	H122573	DECAL	1	-670400	DUAL WHEELS
	H158975	DECAL	1	670401-	
2	H149063	LABEL	1		HEADER
3	H149099	DECAL	1		CLEAN GRAIN ELEVATOR
4	H149064	LABEL	1		LADDER
5	TY24479	SMV EMBLEM	1		(SUB FOR JD5401 OR JD5400) SMV (SLOW MOVING VEHICLE)

# 6H24

SAFETY DECALS AND LOCATIONS  
HP9108 -UN-04JAN99



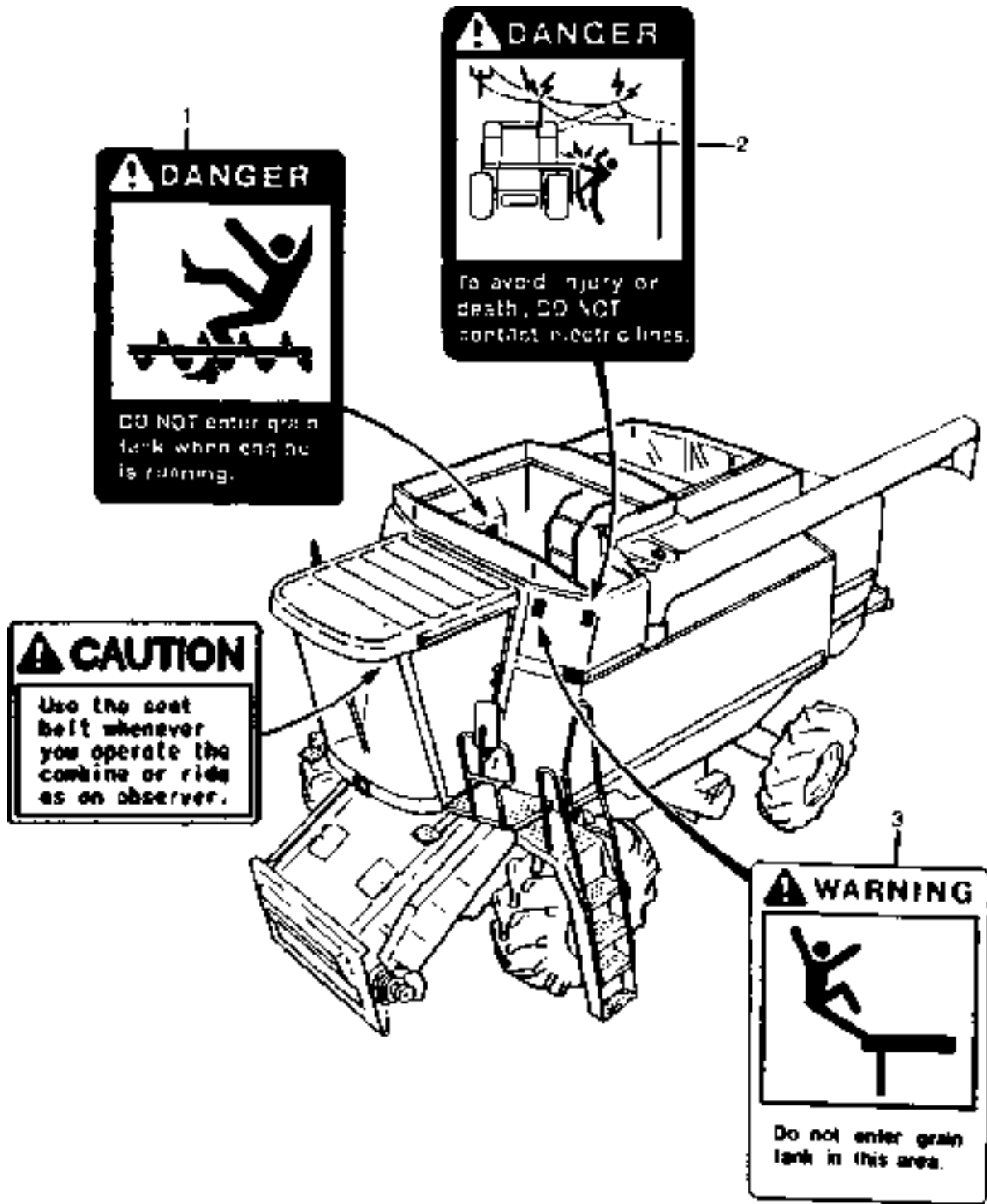
# 6H25

DECALS, BELTS AND CHAINS

## SAFETY DECALS AND LOCATIONS - CONTINUED

KEY	PART NO.	PART NAME	QTY	SERIAL NO.	REMARKS
1	H149088	DECAL	1		FAN AND ROTARY SCREEN
2	H169344	DECAL	1		(SUB FOR A2913R) PRESSURE COOLING SYSTEM
3	H149062	DECAL	2		GRAIN TANK
4	H149037	DECAL	1		VARIABLE CYLINDER DRIVE
5	H149096	LABEL	2		PROJECTILE

**SAFETY DECALS AND LOCATIONS**  
HP6221 -UN-04JAN96

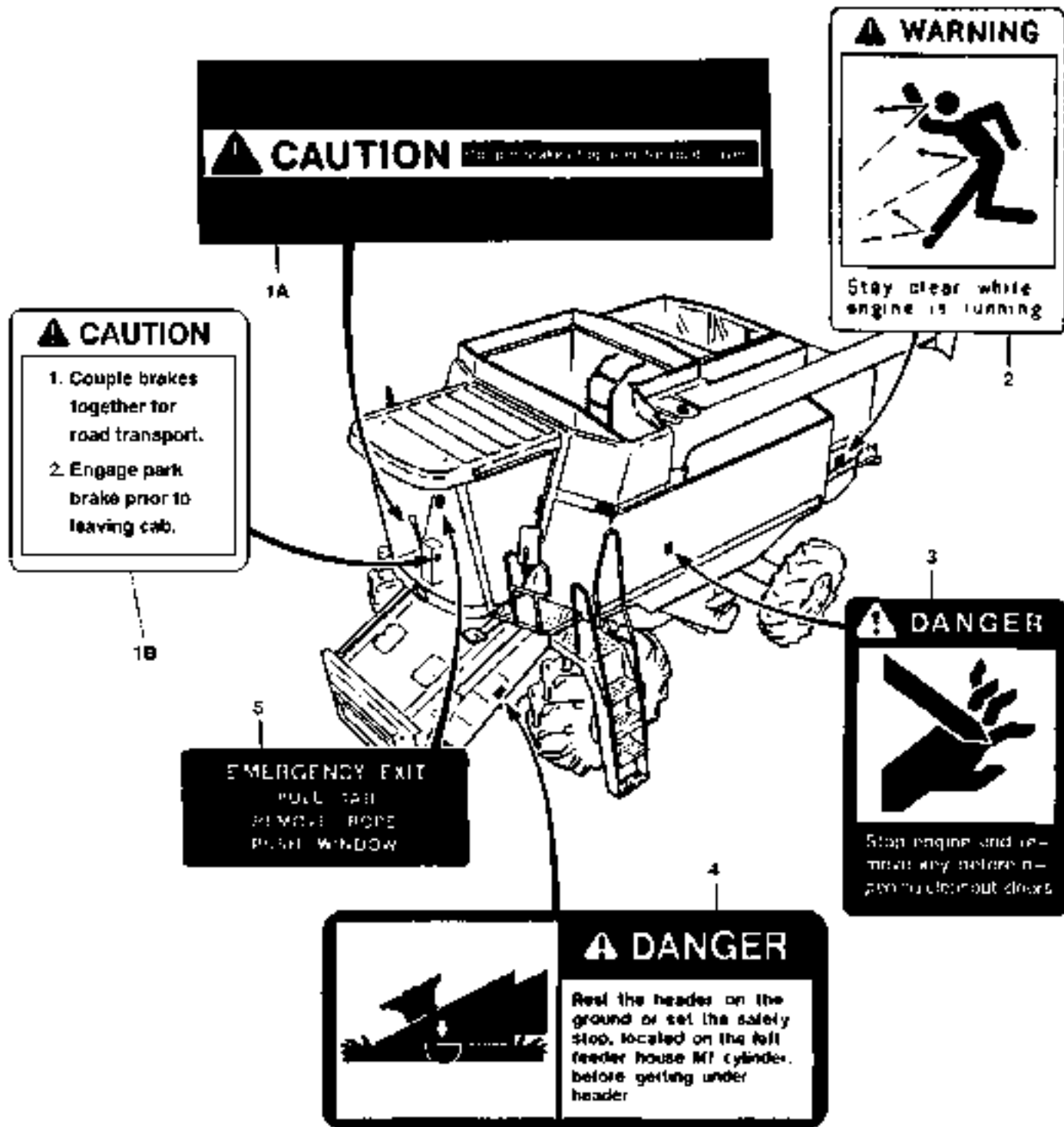


HP6221

## SAFETY DECALS AND LOCATIONS - CONTINUED

KEY	PART NO.	PART NAME	QTY	SERIAL NO.	REMARKS
1	H149062	DECAL	1		GRAIN TANK
2	H149090	LABEL	1		POWERLINE
3	H149065	LABEL	2		FRONT ENTRY
4	H155510	SIGN	1	665401-	SEATBELT


**SAFETY DECALS AND LOCATIONS**  
 HP6549 -UN-23AUG96



HP6549

## SAFETY DECALS AND LOCATIONS - CONTINUED

KEY	PART NO.	PART NAME	QTY	SERIAL NO.	REMARKS
1A	H149068	LABEL	1	-6MAY96	BRAKE
1B	H156390	LABEL	1	6MAY96-	
2	H149096	LABEL	1		PROJECTILE
3	H149066	LABEL	1		AUGER
4	H149063	LABEL	1		HEADER
5	H134535	LABEL	1		EXIT



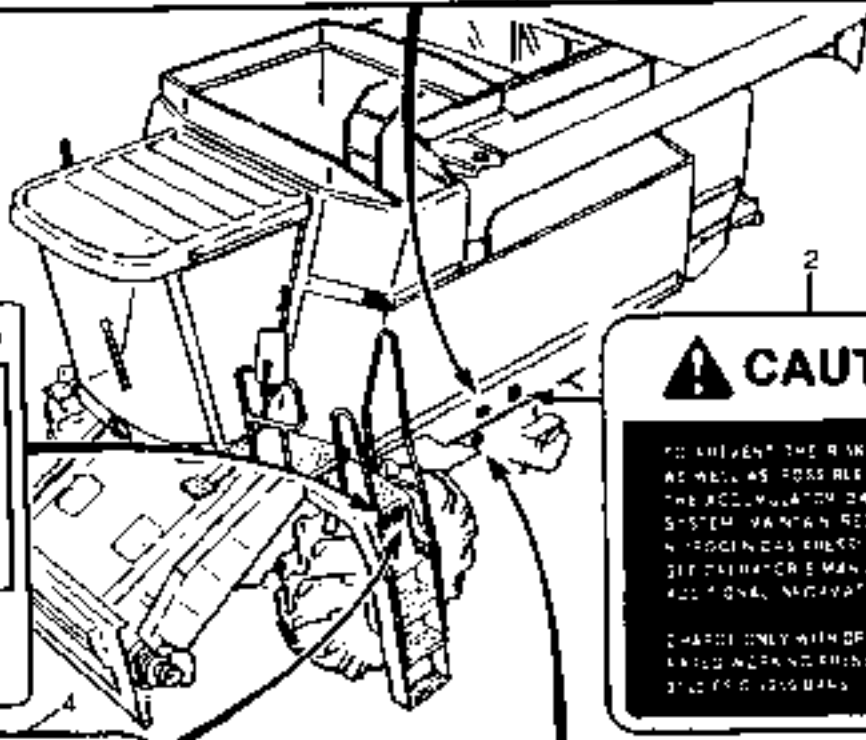
## ⚠ WARNING

Avoid bodily injuries from hydraulic oil and gas under pressure.

Before removing or charging accumulator

1. With feederhouse or header on the ground or in a supported position, open hand valve
2. Start engine and hold header height control to lower position for 5 seconds to relieve system hydraulic pressure
3. Stop engine.

Use only DRY NITROGEN for recharging accumulator  
See your John Deere dealer



**⚠ WARNING**



Do not ride ladder while combine is moving.

**⚠ CAUTION**

TO PREVENT THE RISK OF INJURY AS WELL AS POSSIBLE DAMAGE TO THE ACCUMULATOR OR HYDRAULIC SYSTEM, MAINTAIN RECOMMENDED NITROGEN GAS PRESSURE. SEE OPERATOR'S MANUAL FOR ADDITIONAL INFORMATION.

CHARGE ONLY WITH DRY NITROGEN. EXCEEDING WORKING PRESSURE IS DANGEROUS TO PERSONS.

**⚠ CAUTION**

1. Keep all shields in place.
2. Disconnect and shut off all auxiliary and/or motor power before servicing or adjusting John Deere machine.
3. Keep hands, feet and clothing away from moving or hot parts.

**⚠ WARNING**



Never raise shield with the engine running. Stop engine and remove key.

HP6163

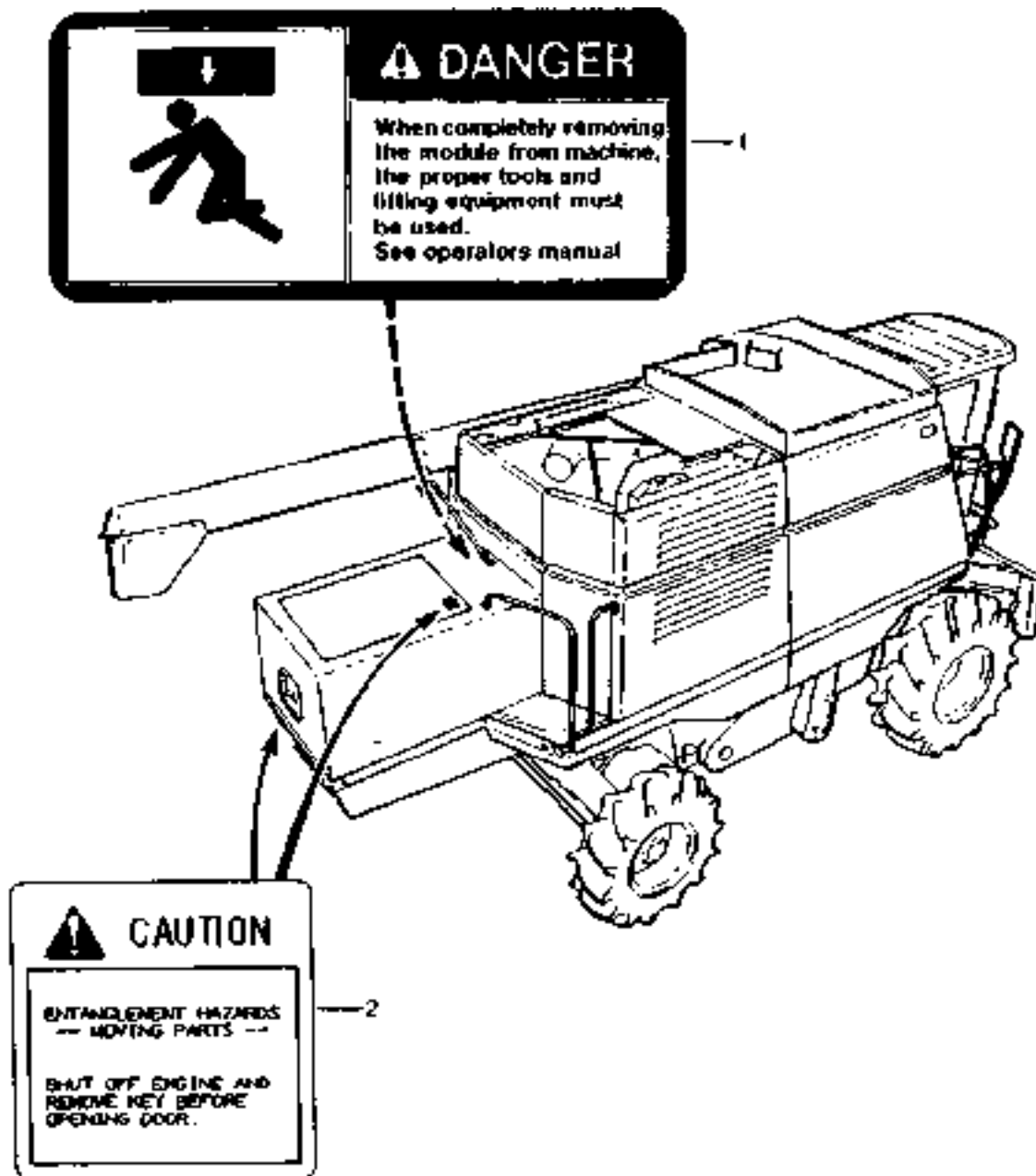


## SAFETY DECALS AND LOCATIONS - CONTINUED

KEY	PART NO.	PART NAME	QTY	SERIAL NO.	REMARKS
1	H149067	LABEL	1		ACCUMULATOR
2	H149092	LABEL	1		ACCUMULATOR
3	H149099	DECAL	1		CLEAN GRAIN ELEVATOR
4	E82510	LABEL	1		SEPARATOR
5	H149064	LABEL	1		LADDER

## SAFETY DECALS AND LOCATIONS

HP6175 -19-13SEP95



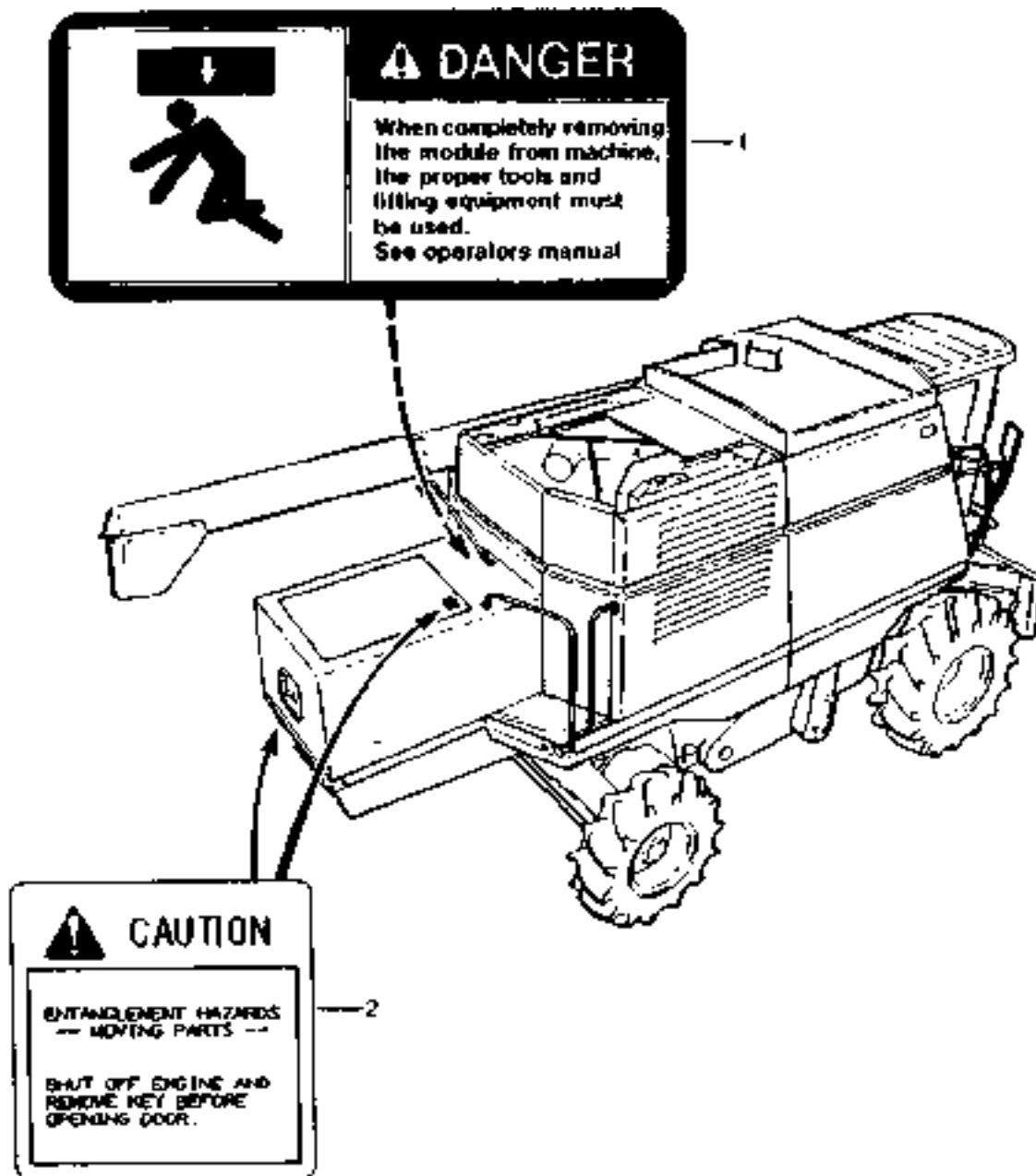
HP6175

**SAFETY DECALS AND LOCATIONS - CONTINUED**

KEY	PART NO.	PART NAME	QTY	SERIAL NO.	REMARKS
1	H149101	LABEL	1		MODULE
2	H149104	LABEL	2		REAR HOOD AND SEPARATOR

**SAFETY DECALS AND LOCATIONS**

HP6175 -19-13SEP95



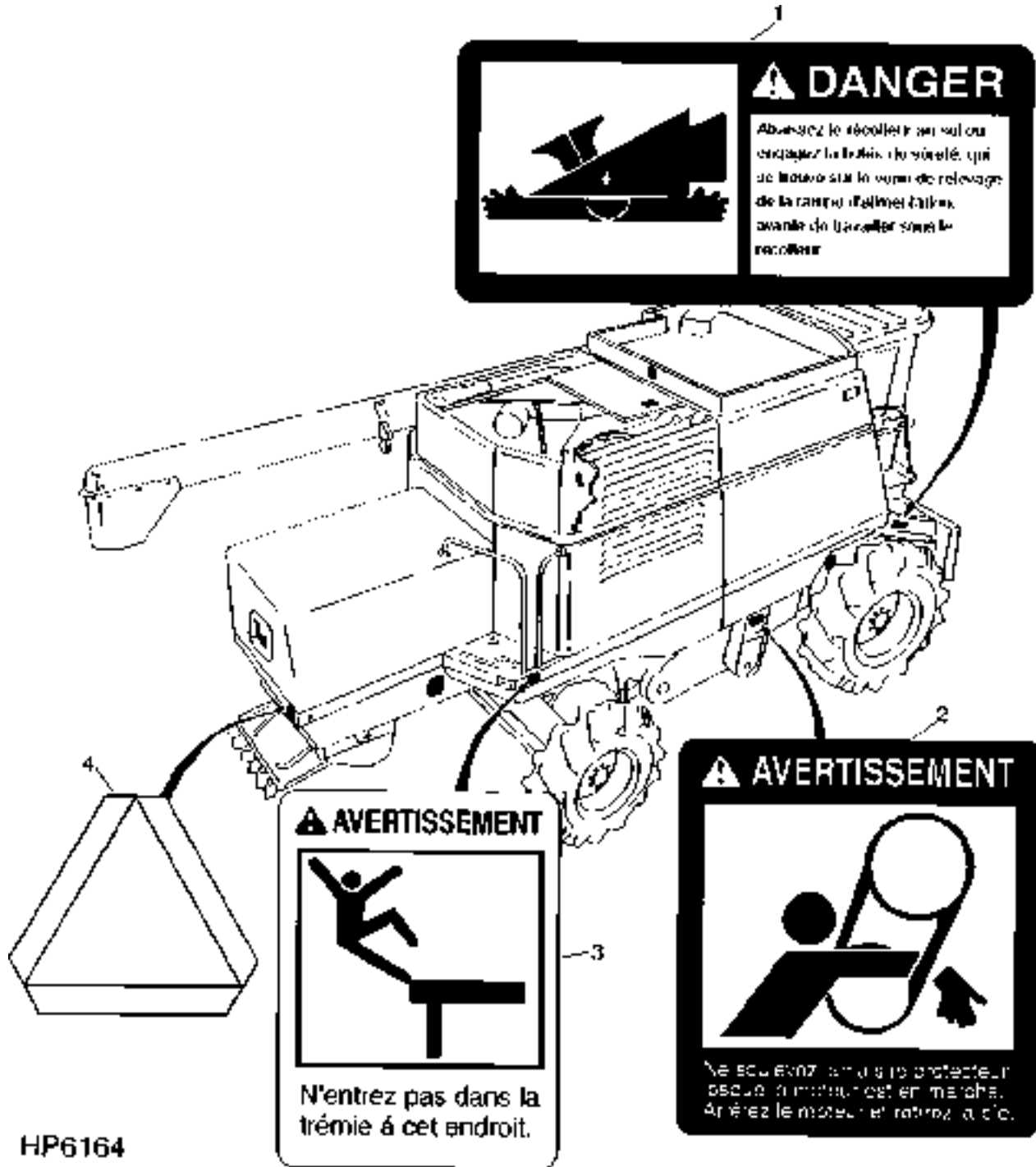
HP6175

# 6110

DECALS, BELTS AND CHAINS

## SAFETY DECALS AND LOCATIONS - CONTINUED

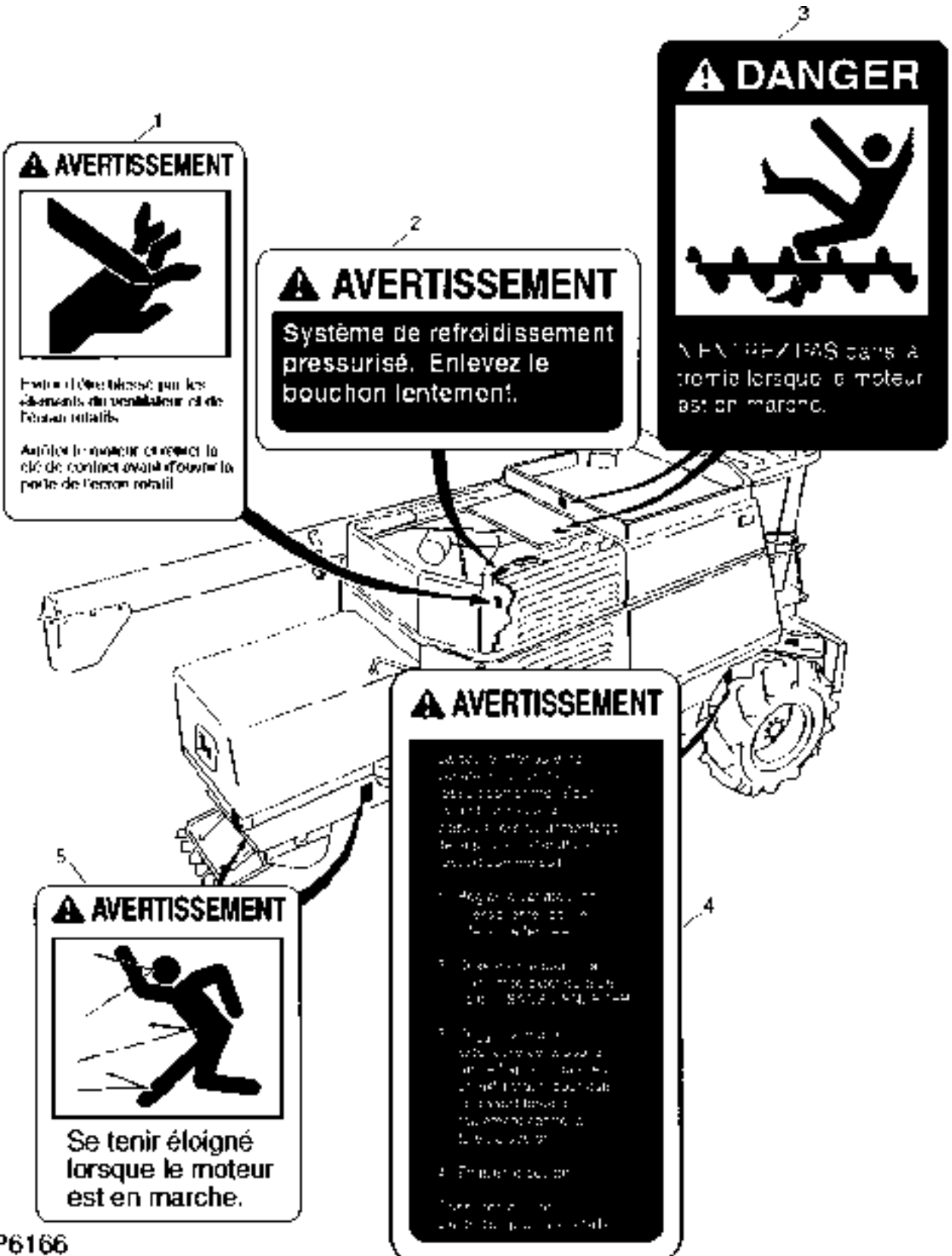
KEY	PART NO.	PART NAME	QTY	SERIAL NO.	REMARKS
1	H149101	LABEL	1		MODULE
2	H149104	LABEL	2		REAR HOOD AND SEPARATOR



HP6164

## SAFETY DECALS AND LOCATIONS - FRENCH - CONTINUED

KEY	PART NO.	PART NAME	QTY	SERIAL NO.	REMARKS
1	H149077	DECAL	1		HEADER
2	H149100	LABEL	1		CLEAN GRAIN ELEVATOR
3	H149074	LABEL	1		LADDER
4	TY24479	SMV EMBLEM	1		(SUB FOR JD5401 OR JD5400) SMV (SLOW MOVING VEHICLE)
..	AH135254	LABEL KIT	1		

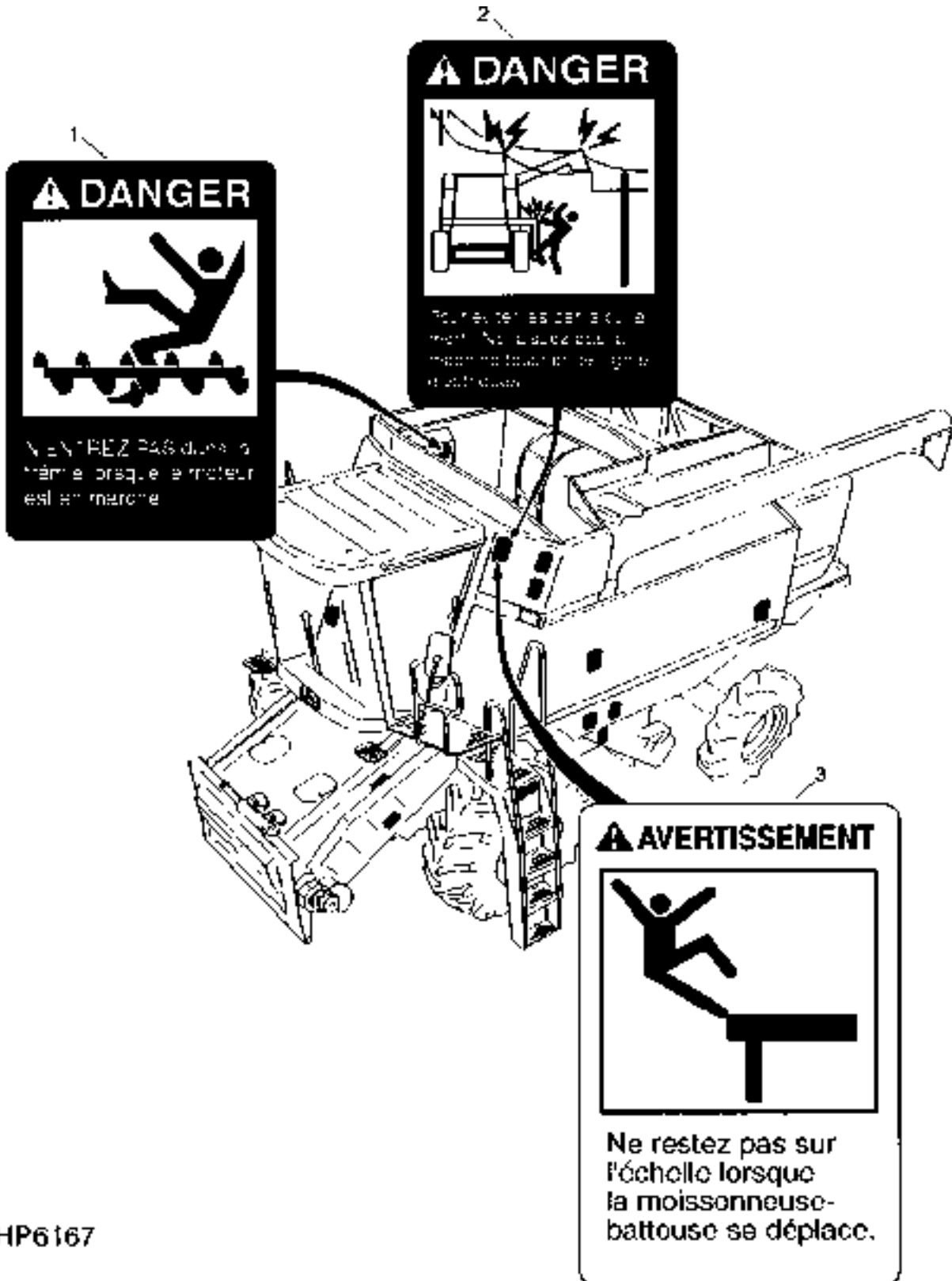


HP6166



## SAFETY DECALS AND LOCATIONS - FRENCH - CONTINUED

KEY	PART NO.	PART NAME	QTY	SERIAL NO.	REMARKS
1	H149089	SIGN	1		FAN AND ROTARY SCREEN
2	H170105	LABEL	1		(SUB FOR H149046) PRESSURE COOLING SYSTEM
3	H149076	DECAL	2		GRAIN TANK
4	H149040	DECAL	1		VARIABLE CYLINDER DRIVE
5	H149097	LABEL	2		PROJECTILE
..	AH135254	LABEL KIT	1		



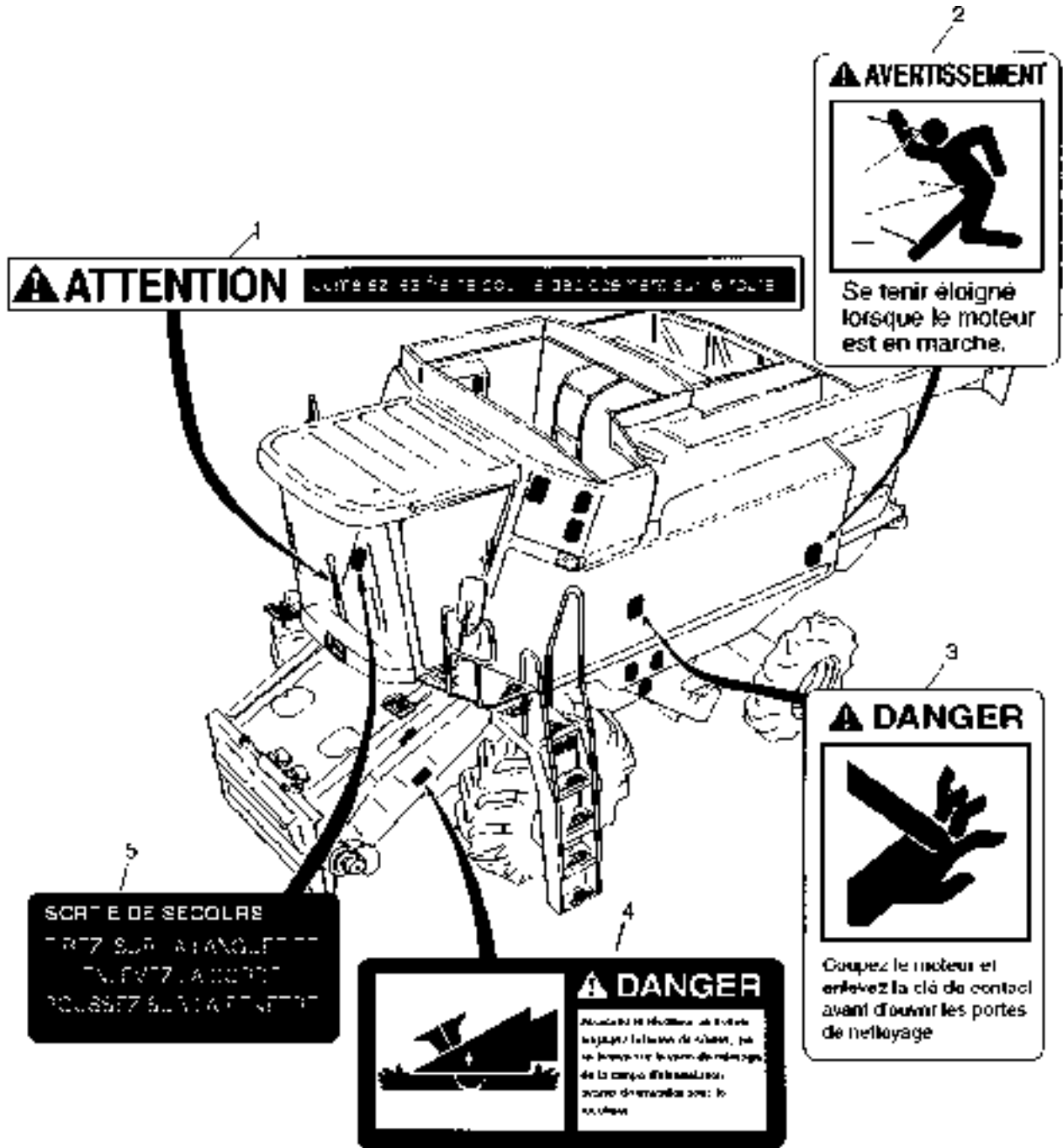
HP6167

# 6116

DECALS, BELTS AND CHAINS

## SAFETY DECALS AND LOCATIONS - FRENCH - CONTINUED

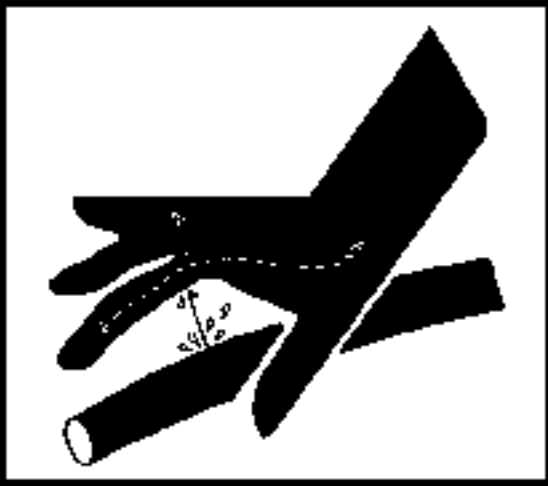
KEY	PART NO.	PART NAME	QTY	SERIAL NO.	REMARKS
1	H149076	DECAL	1		GRAIN TANK
2	H149091	LABEL	1		POWERLINE
3	H149075	LABEL	2		FRONT ENTRY
..	AH135254	LABEL KIT	1		



HP6168

## SAFETY DECALS AND LOCATIONS - FRENCH - CONTINUED

KEY	PART NO.	PART NAME	QTY	SERIAL NO.	REMARKS
1	H173824	LABEL	1		(SUB FOR H149080) BRAKE
2	H149097	LABEL	1		PROJECTILE
3	H149078	LABEL	1		AUGER
4	H149077	DECAL	1		HEADER
5	H134620	LABEL	1		EXIT
..	AH135254	LABEL KIT	1		



## ⚠ AVERTISSEMENT


Éviter les blessures corporelles provenant de fuites hydrauliques et du confinement sous pression. Avant d'enlever, de démonter ou de charger l'accumulateur:

1. Avec le rampe d'alimentation ou le collecteur ou ser ou en position soutenue, ouvrir le soupape manuelle
2. Faire émettre le moteur et tenir le commande de hauteur du tascheur e la position inférieure pendant 5 secondes pour réduire le pression hydraulique du système
3. Arrêter le moteur

Utiliser uniquement de L'AZOTE secourary pour recharger l'accumulateur, Consulter le concessionnaire John Deere

5

**⚠ AVERTISSEMENT**



N'entrez pas dans la tremie à cet endroit.

2

**⚠ ATTENTION**

Attention à tout le temps de l'opération. Ne pas laisser les bras ou les jambes dans les zones de travail. Ne pas laisser les bras ou les jambes dans les zones de travail. Ne pas laisser les bras ou les jambes dans les zones de travail.

4

**⚠ ATTENTION**

1. Utilisez les protections appropriées
2. Démarrez et arrêtez le moteur au démarrage et avant de protéger à tous les autres points de travail sur le moteur
3. Tenez les vêtements à l'écart des pièces mobiles

3

**⚠ AVERTISSEMENT**



Ne touchez pas directement avec les mains les parties mobiles. Ne touchez pas directement avec les mains les parties mobiles.

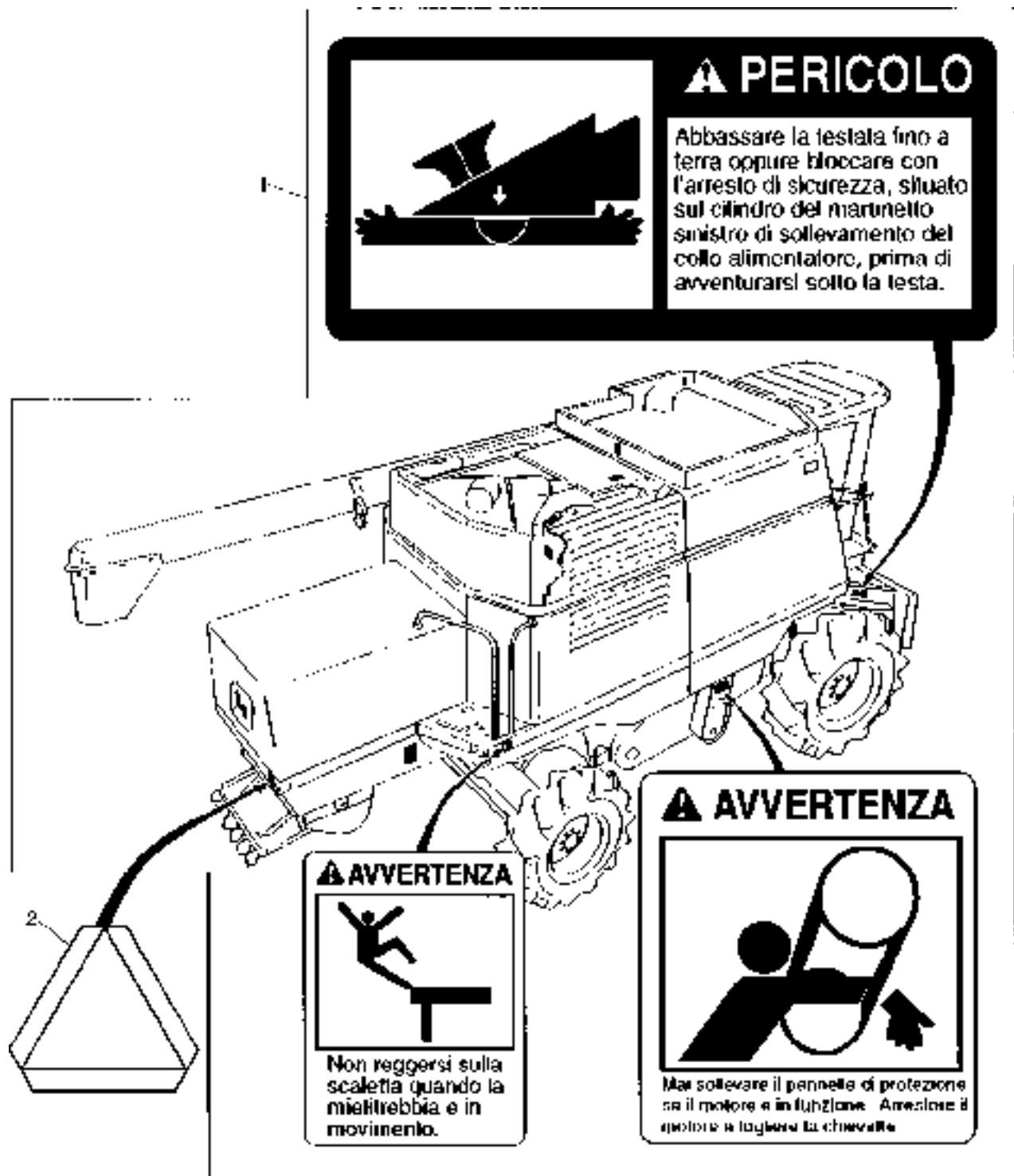
HP6169

# 6120

DECALS, BELTS AND CHAINS

## SAFETY DECALS AND LOCATIONS - FRENCH - CONTINUED

KEY	PART NO.	PART NAME	QTY	SERIAL NO.	REMARKS
1	H149079	LABEL	1		ACCUMULATOR
2	H149098	LABEL	1		ACCUMULATOR
3	H149100	LABEL	1		CLEAN GRAIN ELEVATOR
4	E82575	LABEL	1		SEPARATOR
5	H149074	LABEL	1		LADDER
..	AH135254	LABEL KIT	1		

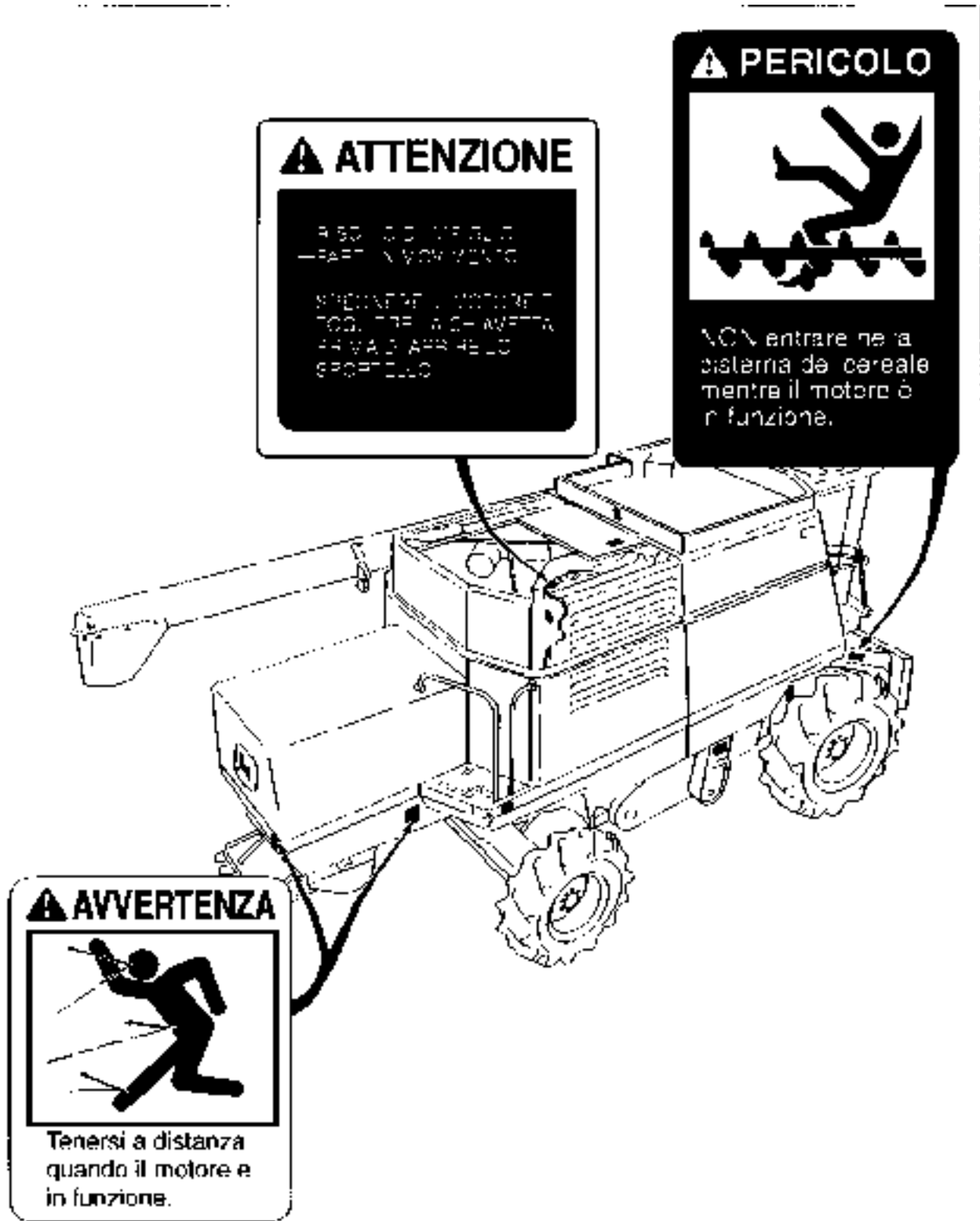


HP6170



**SAFETY DECALS AND LOCATIONS - ITALIAN - CONTINUED**

KEY	PART NO.	PART NAME	QTY	SERIAL NO.	REMARKS
1	AH143684	KIT	1		
2	TY24479	SMV EMBLEM	1		(SUB FOR JD5401 OR JD5400) SMV (SLOW MOVING VEHICLE)



HP6171

# 6124

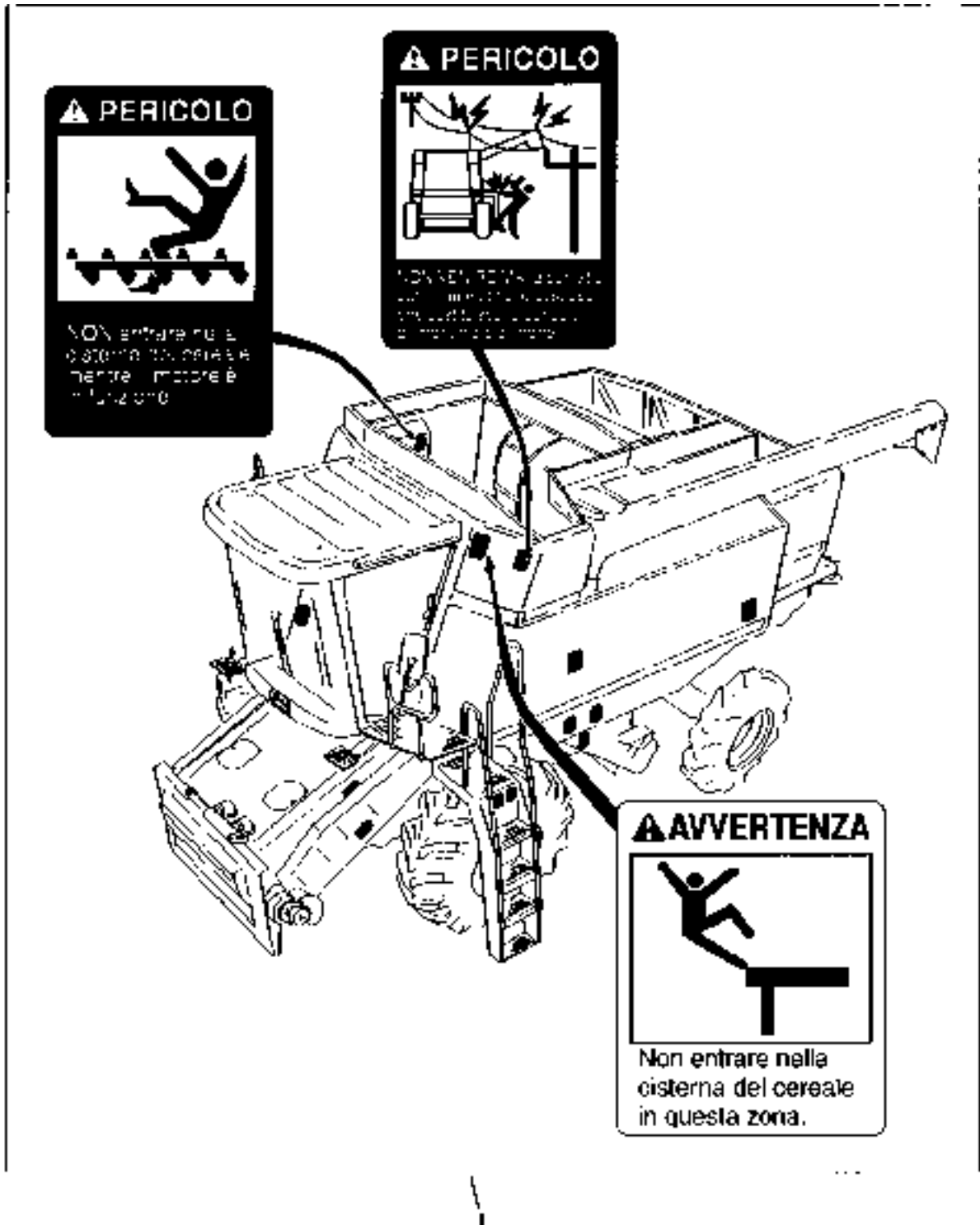
DECALS, BELTS AND CHAINS

**SAFETY DECALS AND LOCATIONS - ITALIAN - CONTINUED**

KEY	PART NO.	PART NAME	QTY	SERIAL NO.	REMARKS
1	AH143684	KIT	1		

# 6J1

SAFETY DECALS AND LOCATIONS - ITALIAN  
HP6172 -39-20SEP95



HP6172

# 6J2

DECALS, BELTS AND CHAINS

**SAFETY DECALS AND LOCATIONS - ITALIAN - CONTINUED**

KEY	PART NO.	PART NAME	QTY	SERIAL NO.	REMARKS
1	AH143684	KIT	1		

**ATTENZIONE**

**AVVERTENZA**



Tenersi a distanza quando il motore è in funzione.

**PERICOLO**



Arrestare il motore e togliere la chiavetta prima di aprire gli sportelli per la pulizia.



**PERICOLO**

Abbassare la testata fino a terra oppure bloccare con l'arresto di sicurezza, situato sul cilindro del morlettino sinistro di sollevamento del collo alimentatore, prima di avventurarsi sotto la testata.

HP6173

# 6J4

DECALS, BELTS AND CHAINS

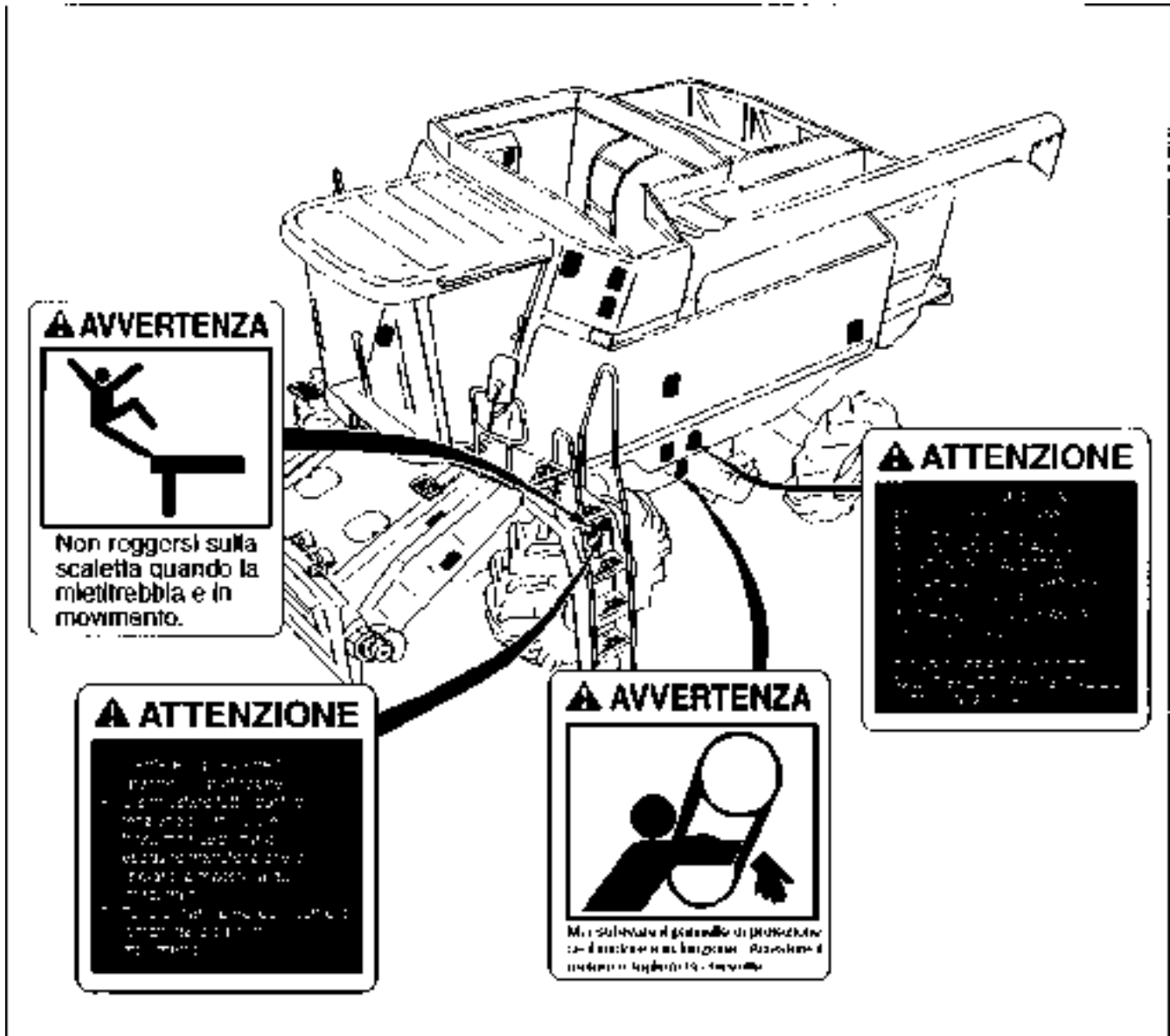
**SAFETY DECALS AND LOCATIONS - ITALIAN - CONTINUED**

KEY	PART NO.	PART NAME	QTY	SERIAL NO.	REMARKS
1	AH143684	KIT	1		

# 6J5

DECALS, BELTS AND CHAINS

SAFETY DECALS AND LOCATIONS - ITALIAN  
HP6174 -39-20SEP95



HP6174

THIS PARTS LISTING IS CONTINUED



# 6J6

DECALS, BELTS AND CHAINS

**SAFETY DECALS AND LOCATIONS - ITALIAN - CONTINUED**

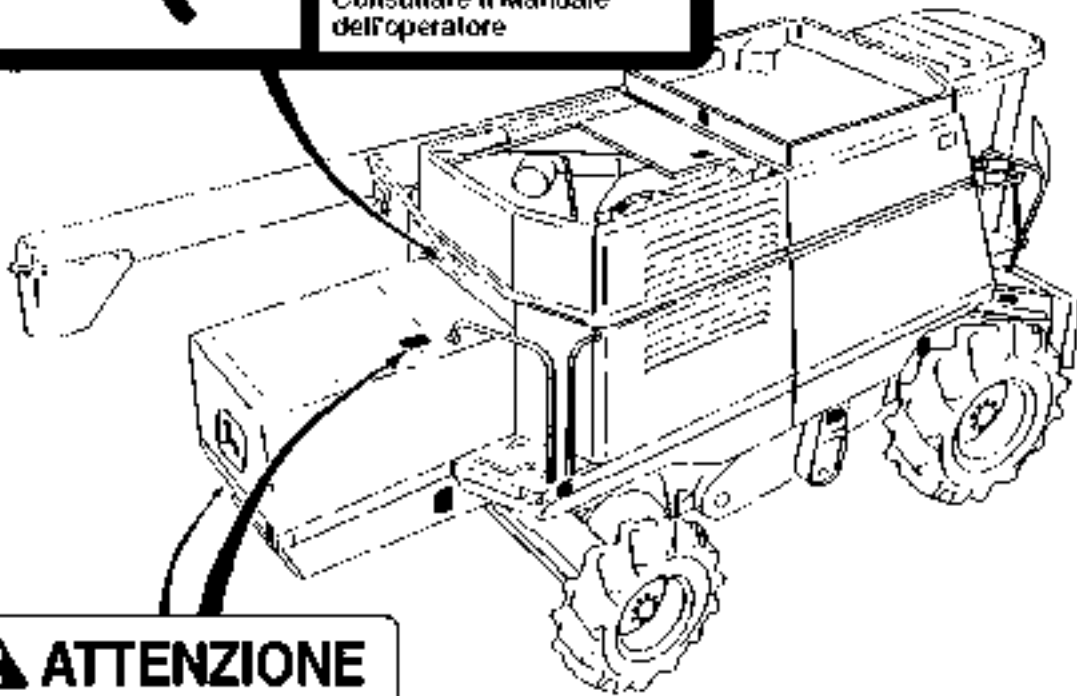
KEY	PART NO.	PART NAME	QTY	SERIAL NO.	REMARKS
1	AH143684	KIT	1		



**PERICOLO**

Per rimuovere completamente il modulo dalla macchina, usare attrezzi adatti ed una opportuna attrezzatura di sollevamento.

Consultare il Manuale dell'operatore



**ATTENZIONE**

PRIMA DI QUALSIASI  
 MOVIMENTO

SPEGNERE IL MOTORE E  
 TOGLIERE LA CHIAVETTA  
 PRIMA DI APRIRE LO  
 STORTELLO

HP6176

# 6J8

DECALS, BELTS AND CHAINS

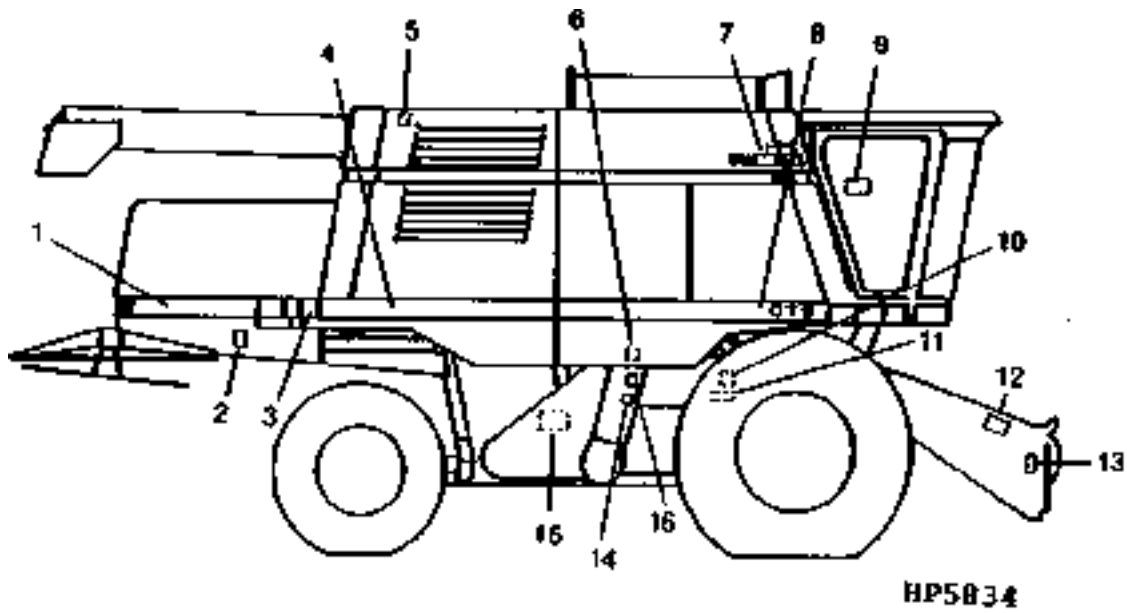
**SAFETY DECALS AND LOCATIONS - ITALIAN - CONTINUED**

KEY	PART NO.	PART NAME	QTY	SERIAL NO.	REMARKS
1	AH143684	KIT	1		

# 6J9

DECALS, BELTS AND CHAINS

RIGHT-HAND DECALS  
HP5834 -UN-01JAN94



# 6J10

DECALS, BELTS AND CHAINS

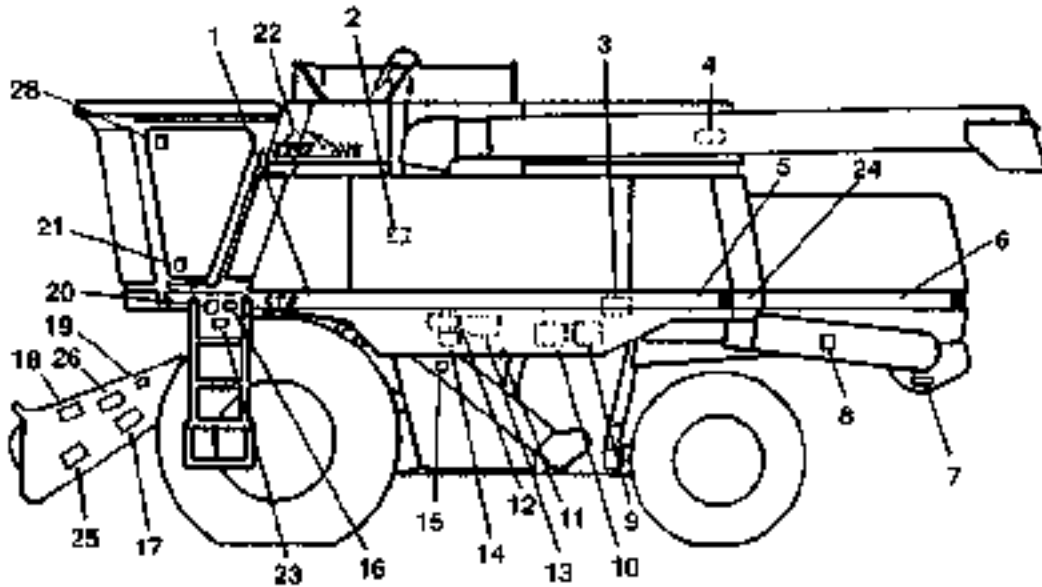
**RIGHT-HAND DECALS - CONTINUED**

KEY	PART NO.	PART NAME	QTY	SERIAL NO.	REMARKS
1	H120923	LABEL	1		"STYLING"
2	H149096	LABEL	1		(SUB FOR H138989) "PROJECTILE WARNING"
	H139036	LABEL	1		ITALIAN
3	H149064	LABEL	1		(SUB FOR H133640) "LADDER WARNING"
4	H133488	LABEL	2		"JOHN DEERE"
5	H144692	LABEL	2		"ROTARY SCREEN BELT"
6	H139392	LABEL	1		"CLEAN GRAIN ELEVATOR BELT"
7	H146628	LABEL	1	-655541	"STYLING"
	H150915	LABEL	1	655542-	
8	H146239	LABEL	1		"CTS"
9	H134535	LABEL	1		"EMERGENCY EXIT"
10	H149037	DECAL	1		(SUB FOR H110438) "WARNING"
11	H114270	DECAL	1		"DUAL RANGE"
12	H133639	LABEL	1		"HEADER DANGER"
13	H123351	LABEL	1		"FEEDER DRUM HEIGHT ADJUSTMENT"
14	H149099	DECAL	1		(SUB FOR H139948) "WARNING"
15	H144254	LABEL	1		R.H. LUBE CHART
16	H139393	LABEL	1		"WALKER, SHOE AND AUGER"
..	H149142	LABEL	1		ITALIAN "EXPORT ONLY"
..	H149357	LABEL	1		ITALIAN "OILO"
..	AH143684	KIT	1		ITALIAN DECALS

# 6J11

DECALS, BELTS AND CHAINS

LEFT-HAND DECALS  
HP6682 -UN-21MAR97



HP6682

# 6J12

LEFT-HAND DECALS - CONTINUED

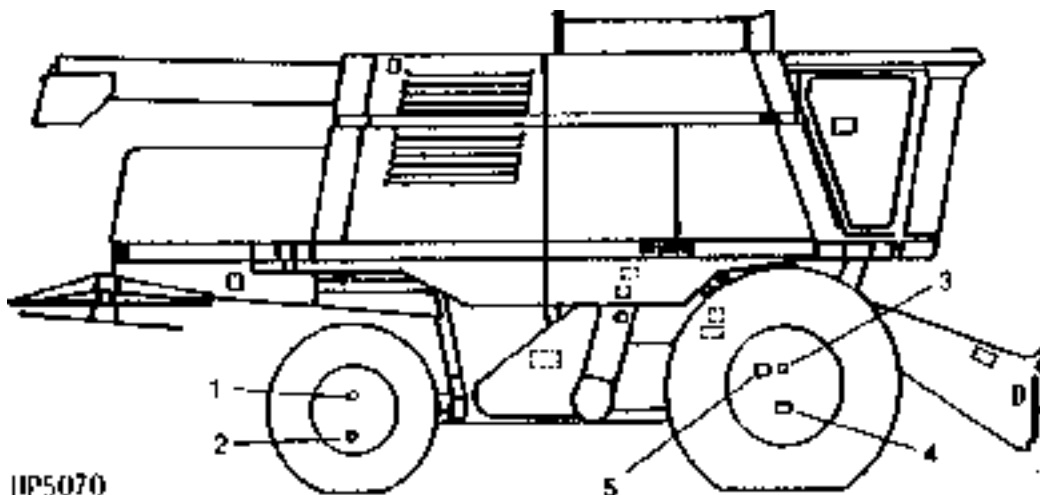
KEY	PART NO.	PART NAME	QTY	SERIAL NO.	REMARKS
1	H146238	LABEL	1		"CTS"
2	H149066	LABEL	1		(SUB FOR H133642) "AUGER WARNING"
3	H144253	LABEL	1		LUBE CHART
4	H110923	LABEL	1		HYDRAULIC RESERVOIR
5	H137356	LABEL	1		"STYLING PANEL"
6	H120924	LABEL	1		"STYLING PANEL"
7	H145857	LABEL	2	-29SEP7	"CHOPPER POSITION"
	H165247	LABEL	2	29SEP7-	
	H139389	LABEL	2	655542-	"CHOPPER POSITION"
	H157291	LABEL	2	13JA97-	RUSSIAN
	H160268	LABEL	2	13JA97-	RUSSIAN
8	H149096	LABEL	1		(SUB FOR H138989) "PROJECTILE WARNING"
	H139036	LABEL	1		ITALIAN
9	H128315	LABEL	1		"DIAGNOSTIC PORTS"
10	H150763	LABEL	1		(SUB FOR H131021) "EH VALVE STACK"
11	H80796	DECAL	1		"VARIABLE SPEED FAN HANDWHEEL"
12	H132811	LABEL	1		"ACCUMULATOR DECAL"
13	H149092	LABEL	2		(SUB FOR H138423) "CAUTION"
14	H149067	LABEL	1		(SUB FOR H133643) "WARNING" ACCUMULATOR
15	H149099	DECAL	1		(SUB FOR H139948) "WARNING"
	H149143	LABEL	1		ITALIAN
16	H173111	LABEL	1		(SUB FOR H139346 OR H145547) "TIRE LOADING"
17	H160701	LABEL	1		(SUB FOR H135405) "FEEDER HOUSE CHAIN ADJUSTMENT"
18	H137939	LABEL	1		"HARNES AND HOSE STORAGE"
19	H126397	LABEL	1		"VARIABLE SPEED DRIVE"
20	H149064	LABEL	1		(SUB FOR H133640) "LADDER WARNING"
21	H134767	LABEL	1		"BRAKE"
22	H146240	LABEL	1		MODEL DESIGNATION
	H150916	LABEL	1	655542-	(GRAIN) L.H.
23	E82510	LABEL	1		(SUB FOR JD5255) "CAUTION"
24	H139607	LABEL	1		"STYLING"
25	H133639	LABEL	1		"HEADER DANGER"
26	H149063	LABEL	1		"HEADER DANGER"
	H160795	LABEL	1	670518-	FRENCH
27	.....	LABEL	2		(KIT AH143684) ITALIAN; UNLOADING
28	H160459	LABEL	1	670411-670000	"ROAD CORROSION"
..	AH143684	KIT	1		ITALIAN DECALS

# 6J13

DECALS, BELTS AND CHAINS

## FRONT AND REAR WHEEL DECALS

HP5070 -UN-01JAN94



KEY	PART NO.	PART NAME	QTY	SERIAL NO.	REMARKS
1	H145995	LABEL	2		"IMPORTANT" WHEEL BOLT TORQUE 205 NM (150 LB-FT)
	H150646	DECAL	2	660401-	"IMPORTANT" 15 PSI (103 KPA) (28L X 26-10 OR 12 PLY TIRE) (68 X 50-32 16 PLY TIRE)
	H174266	LABEL	2	660401-	(SUB FOR H151575) "IMPORTANT" (28L X 26-10 OR 12 PLY TIRE)
2	H140709	LABEL	2		"IMPORTANT" TIRE PRESSURE - 26 PSI (180 KPA)
	H108604	LABEL	2		"IMPORTANT" TIRE PRESSURE - 20 PSI (140 KPA)
3	H134442	LABEL	2		"WHEEL BOLT TORQUE"
4	H108605	LABEL	2		"TIRE PRESSURE" 24 PSI (165 KPA)
	H108604	LABEL	2		"TIRE PRESSURE" 20 PSI (140 KPA)
	H140709	LABEL	2		"TIRE PRESSURE" 26 PSI (180 KPA)
	H149805	MEDALLION	1		ITALIAN
	H116640	LABEL	2		"IMPORTANT TIRE PRESSURE" 32 PSI (225 KPA) 24.5 X 32 - 12 PLY (GRAIN)
5	H122573	DECAL	2	-670400	"CAUTION" REMOVING DUAL WHEELS
	H158975	DECAL	2	670401-	
..	AH143684	KIT	1		ITALIAN DECALS

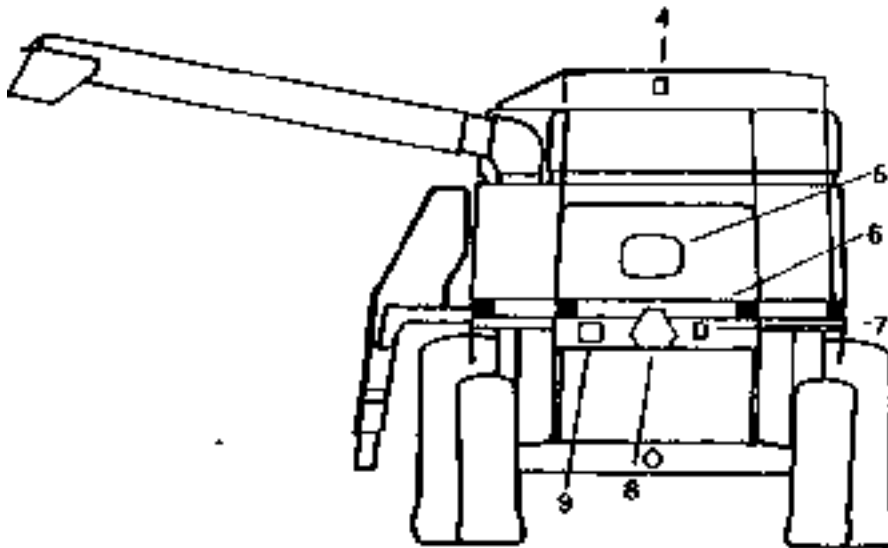
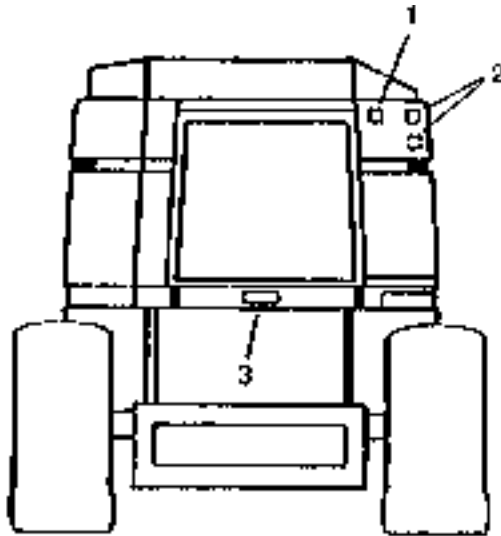


MEMORANDA

# 6J14

DECALS, BELTS AND CHAINS

FRONT AND REAR DECALS  
HP5337 -UN-01JAN94



HP5337

# 6J15

DECALS, BELTS AND CHAINS

## FRONT AND REAR DECALS - CONTINUED

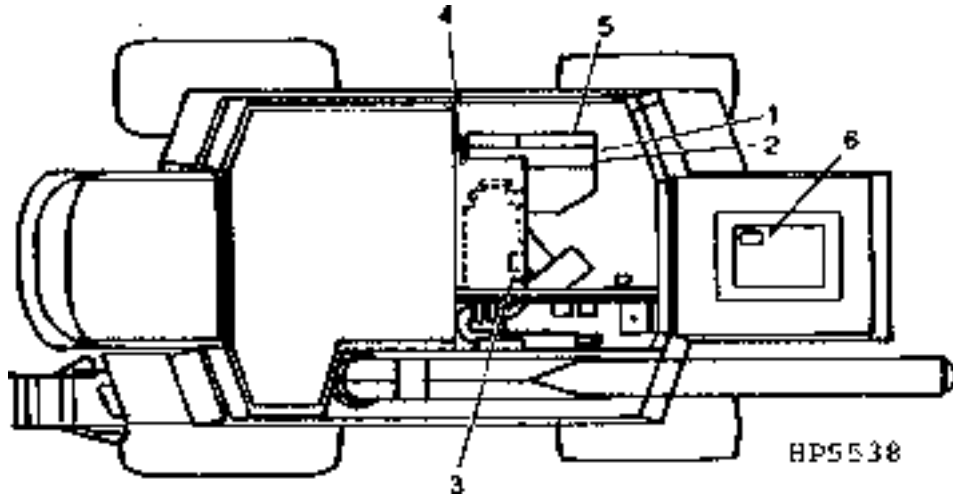
KEY	PART NO.	PART NAME	QTY	SERIAL NO.	REMARKS
1	H149090	LABEL	1		(SUB FOR H137426) "DANGER"
2	H149065	LABEL	2		(SUB FOR H133641) "WARNING"
3	H149480	LABEL	1		(SUB FOR H136158) "LEAPING DEER"
4	H149062	DECAL	1		(SUB FOR H133638) "DANGER"
5	JD5592	DECAL	1		"LEAPING DEER"
6	H121040	LABEL	1		"STYLING LABEL"
7	H149096	LABEL	1		(SUB FOR H138989) "PROJECTILE WARNING"
	H149138	LABEL	1		ITALIAN
8	TY24479	SMV EMBLEM	1	-660632	(SUB FOR JD5401 OR JD5400) "SMV DECAL"
	H134667	DEFLECTOR	1		
9	H149104	LABEL	1		(SUB FOR H147429) "CAUTION"
..	AH143684	KIT	1		ITALIAN DECALS

# 6J16

DECALS, BELTS AND CHAINS

**TOP DECALS**

HP5538 -UN-01JAN94



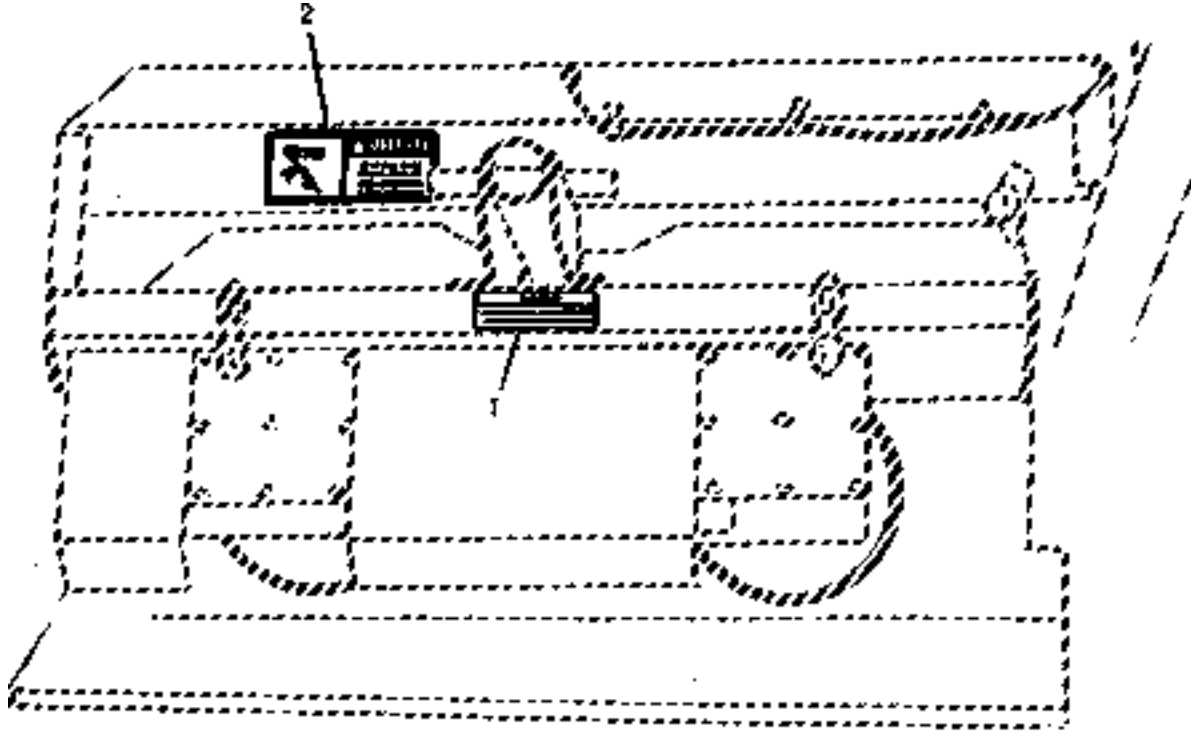
KEY	PART NO.	PART NAME	QTY	SERIAL NO.	REMARKS
1	H137201	DECAL	1		COOLING
2	H149088	DECAL	1		(SUB FOR H137202) "WARNING" FAN & ROTOARY SCREEN
3	H86896	DECAL	1		ETHER CAN
4	H149062	DECAL	1		(SUB FOR H133638) "WARNING"
5	H169344	DECAL	1		(SUB FOR A2913R)
6	.....	LABEL	1		ITALIAN
..	AH143684	KIT	1		ITALIAN DECALS

# 6J17

DECALS, BELTS AND CHAINS

## SEPARATOR MODULE SAFETY DECALS

HP5344 -UN-01JAN94



HP5344

KEY	PART NO.	PART NAME	QTY	SERIAL NO.	REMARKS
1	H144279	LABEL	1		"IMPORTANT" MODULE SERVICE
2	H149101	LABEL	1		(SUB FOR H144252) "DANGER" MODULE REMOVAL
..	AH143684	KIT	1		ITALIAN DECALS

MEMORANDA

# 1K5

CTS COMBINE (NORTH AMERICAN VERSION)

## NUMERICAL INDEX

PART NO.	GRID	KEY	PAGE	PART NO.	GRID	KEY	PAGE	PART NO.	GRID	KEY	PAGE
AA27536	2B17	10	40-7	AH106010	4B21	2	90-13	AH114109	1F3	18	30-3
AA27536	3C2	23	60-19	AH106096	6H5	18	130-59	AH114877	4C4	20	90-21
AA27536	4C18	10	90-35	AH106110	5G22	7	121-45	AH114882	5C4	4	120-21
AA27536	4E3	23	90-71	AH106296	5G22	5	121-45	AH115281	2G13	1	50-9
AA5607R	1B13	15	20-7	AH106296	5G22	21	121-45	AH115487	2G13	15	50-9
AA5607R	5C6	5	120-23	AH106606	6G25	11	130-53	AH115639	1B9	29	20-3
AA5607R	5F10	22	121-9	AH106612	2B23	8	40-13	AH115797	2B15	5	40-5
AA5607R	5G20	12	121-43	AH106612	2B25	12	40-15	AH115799	2B15	6	40-5
AA5607R	5H2	14	121-49	AH106612	2D20	1A	40-59	AH115800	2B15	7	40-5
AA5607R	5H16	3	121-63	AH106612	2E18	4	40-81	AH115833	4C15	1	90-32
AA5607R	5H20	20	121-67	AH106612	2E18	7	40-81	AH115836	4E7	8	90-75
AA5607R	6E5	11	125-73	AH106612	2F7	5	40-95	AH115943	2E18	1	40-81
AA5607R	6F19	12	130-23	AH106695	3E16	2	70-35	AH116006	3G10	9	70-81
AB18206	3D8	3	70-3	AH106933	2G15	17	50-11	AH116104	2C22	16	40-37
AB5070R	5G8	22	121-31	AH106982	1F3	21	30-3	AH116104	2D4	5	40-43
AC11779	6D25	10	125-68	AH108080	3D8	2	70-3	AH116104	2F11	12	40-99
AC11779	6F4	10	130-7	AH108161	4F10	17	110-3	AH116104	2G23	25	50-19
AC14974	6D25	10	125-68	AH108299	4B23	11	90-15	AH116105	2D14	1	40-53
AC14974	6F4	10	130-7	AH108299	6F25	40	130-29	AH116105	2D16	24	40-55
AD2062R	2D6	1	40-45	AH108380	2B15	17	40-5	AH116105	3E16	7	70-35
AE23516	4H8	5	110-51	AH108380	2B17	15	40-7	AH116105	3F6	9	70-49
AE23791	4C22	18	90-39	AH108380	3D8	10	70-3	AH116110	2C4	6	40-19
AE23791	4F14	18	110-7	AH108380	4C18	15	90-35	AH116110	2C6	5	40-21
AE26118	5C25	3	120-43	AH108389	4C24	7	90-41	AH116110	4E11	8	90-79
AE27909	4G19	11	110-37	AH108414	2E16	15	40-79	AH116123	1F3	3	30-3
AE37060	3F11	..	70-54	AH108693	5G22	14	121-45	AH116232	4G23	21	110-41
AE37848	3F16	..	70-60	AH108801	5G14	5	121-37	AH116313	4D7	1	90-49
AE37848	3F18	..	70-62	AH108813	5F16	1	121-15	AH116390	6H6	4	130-60
AE38021	3F13	..	70-57	AH108813	5G20	5	121-43	AH116632	3E6	18	70-25
AE38734	3F13	16	70-57	AH108816	3C2	2	60-19	AH116902	2B23	4	40-13
AE41319	3E16	11	70-35	AH108816	4E3	2	90-71	AH116902	2B23	7	40-13
AE42998	6F17	6	130-21	AH10888	1B9	16	20-3	AH116902	2G13	17A	50-9
AE44392	2C24	15	40-39	AH109056	5G14	43	121-37	AH116902	3C2	40	60-19
AE44392	2D4	13	40-43	AH109120	2B25	11	40-15	AH116902	4E3	40	90-71
AE44929	2F7	13	40-95	AH109120	2B25	18	40-15	AH117017	2D22	20	40-61
AE44930	2C20	7	40-35	AH109120	2B25	25	40-15	AH117018	2D22	20	40-61
AE44930	2C20	11	40-35	AH109120	2B25	28	40-15	AH117067	4D21	1	90-63
AE44930	2C20	12	40-35	AH109197	5C6	1	120-23	AH117277	6E24	28	130-3
AE44930	2D6	21	40-45	AH109197	5H16	7	121-63	AH117301	2B25	36	40-15
AE44931	2C20	9	40-35	AH109197	6E5	14	125-73	AH117301	2C22	5	40-37
AE44931	2F7	12	40-95	AH109197	6F6	11	130-9	AH117301	2D6	19	40-45
AE46699	5C8	16	120-25	AH109555	2B11	6	40-1	AH117301	3H18	27	80-11
AE49003	3F16	15	70-60	AH109788	1B11	9	20-5	AH117301	4E11	10	90-79
AE49003	3F16	17	70-60	AH109788	4G23	15	110-41	AH117301	5F22	20	121-21
AE49003	3F17	15	70-61	AH11015	6D6	6	125-49	AH117418	2J10	15	50-81
AE49003	3F17	16	70-61	AH110674	4D7	2	90-49	AH117566	3C13	5	60-30
AE49003	3F17	17	70-61	AH110887	5G14	31	121-37	AH117643	5F16	6	121-15
AE49003	3F18	15	70-62	AH111354	6G23	22	130-51	AH117782	1B19	3	20-13
AE49003	3F18	17	70-62	AH111447	5G18	14	121-41	AH118228	4G19	6	110-37
AE49003	3F20	..	70-65	AH111704	2B25	13	40-15	AH118228	6H18	3	170-2
AE49003	3F22	..	70-67	AH111705	2B25	16	40-15	AH118337	2I19	11	50-65
AE49773	4H8	1	110-51	AH111705	2B25	21	40-15	AH118337	2I23	10	50-69
AE49777	3F16	..	70-60	AH111705	2B25	23	40-15	AH118337	2I25	10	50-71
AE49777	3F17	..	70-61	AH112169	2B25	19	40-15	AH118337	3E14	1	70-33
AE49777	3F20	..	70-65	AH112189	2E6	8	40-69	AH118993	6H5	8	130-59
AE49777	3F22	..	70-67	AH112189	2E8	8	40-71	AH119770	5H20	30	121-67
AE50995	3F13	..	70-57	AH112189	2E10	8	40-73	AH119770	6B21	9	125-13
AF1466R	5G14	46	121-37	AH112284	3C15	6	60-32	AH119834	2E22	..	40-85
AF3892R	2D22	14	40-61	AH112402	2H2	2	50-23	AH120160	3G10	7	70-81
AH100012	2C10	1	40-25	AH112435	6G23	3	130-51	AH120216	3I2	8	80-19
AH100013	2C10	6	40-25	AH112865	6G19	10	130-49	AH120419	4C15	4	90-32
AH101202	3C13	22	60-30	AH112883	5G14	16	121-37	AH120444	2B17	11	40-7
AH104259	2B25	2	40-15	AH113139	5G18	11	121-41	AH120444	4C18	11	90-35
AH104783	5H2	19	121-49	AH113292	2D14	22	40-53	AH120445	2B17	13	40-7
AH104783	5H4	12	121-51	AH113292	2D17	1	40-56	AH120445	4C18	13	90-35
AH105040	4F12	23	110-5	AH113301	4D9	13	90-51	AH120446	4C15	5	90-32
AH106010	4B21	1	90-13	AH113392	6G19	10	130-49	AH120502	5B11	1	120-3

**NUMERICAL INDEX - CONTINUED**

PART NO.	GRID	KEY	PAGE	PART NO.	GRID	KEY	PAGE	PART NO.	GRID	KEY	PAGE
AH120541	4B25	6	90 - 17	AH122506	6E24	26	130 - 3	AH125163	5E2	3	120 - 69
AH120546	4E7	10	90 - 75	AH122507	6F23	8	130 - 27	AH125193	5G10	37	121 - 33
AH120547	4E7	19	90 - 75	AH122575	2G10	8	50 - 6	AH125193	5G10	39	121 - 33
AH120570	2B17	5	40 - 7	AH122616	3J10	9	80 - 51	AH125193	5G10	40	121 - 33
AH120570	4C18	5	90 - 35	AH122648	4D7	8	90 - 49	AH125200	3C14	10	60 - 31
AH120736	2H1	7	50 - 22	AH122685	5G10	29	121 - 33	AH125200	5D22	8	120 - 65
AH120737	5F20	15	121 - 19	AH122685	5G11	2	121 - 34	AH125200	5E2	6	120 - 69
AH120815	1B13	5	20 - 7	AH122717	6G23	2B	130 - 51	AH125200	5E4	3	120 - 71
AH120872	3C12	16	60 - 29	AH122717	6G23	7	130 - 51	AH125201	5D22	13	120 - 65
AH120876	3C12	17	60 - 29	AH122867	4E11	4	90 - 79	AH125207	5F14	..	121 - 13
AH120887	4B17	1	90 - 9	AH123014	2B19	4	40 - 9	AH125207	5F16	..	121 - 15
AH120888	4B17	8	90 - 9	AH123015	2B19	4	40 - 9	AH125207	5F24	..	121 - 23
AH120889	4B17	2A	90 - 9	AH123016	2B19	4	40 - 9	AH125228	2G19	16	50 - 15
AH120890	4B17	7	90 - 9	AH123017	2B19	4	40 - 9	AH125233	2H2	6	50 - 23
AH120891	4B17	5	90 - 9	AH123602	6G14	11	130 - 43	AH125243	5G4	9	121 - 27
AH120892	4B13	9	90 - 5	AH123900	2C12	1	40 - 27	AH125243	5G4	17	121 - 27
AH120900	2E6	10	40 - 69	AH123901	2C12	3	40 - 27	AH125243	5G4	..	121 - 27
AH120907	5G22	10	121 - 45	AH123902	2C12	2	40 - 27	AH125243	5G6	..	121 - 29
AH120972	4F18	14	110 - 11	AH123903	2C12	30	40 - 27	AH125293	5F20	..	121 - 19
AH120972	4G25	1	110 - 43	AH123904	2C12	35	40 - 27	AH125293	5F24	..	121 - 23
AH120978	5F14	5	121 - 13	AH123905	2C12	24	40 - 27	AH125306	3I24	1	80 - 41
AH121007	5G20	27	121 - 43	AH123907	2C12	21	40 - 27	AH125306	6F25	42	130 - 29
AH121007	6E17	3	125 - 85	AH123908	2C12	17	40 - 27	AH125391	6G2	4	130 - 31
AH121009	5B19	10	120 - 11	AH123909	2C12	28	40 - 27	AH125454	4H4	3	110 - 47
AH121009	5B19	29	120 - 11	AH123910	2C12	27	40 - 27	AH125478	3J2	1	80 - 43
AH121009	5B23	9	120 - 15	AH123911	2C12	29	40 - 27	AH125478	6F25	23	130 - 29
AH121009	5C10	18	120 - 27	AH123912	6G10	4	130 - 39	AH125490	5F18	11	121 - 17
AH121009	5E17	9	120 - 85	AH123921	3I22	4A	80 - 39	AH125505	4E7	24	90 - 75
AH121009	5G12	10	121 - 35	AH123931	2C14	3	40 - 29	AH125556	6H6	6	130 - 60
AH121009	6E17	5	125 - 85	AH123932	2C14	24	40 - 29	AH125575	3H14	19A	80 - 7
AH121009	6E19	1	125 - 87	AH123933	2C14	27	40 - 29	AH125575	3H14	26	80 - 7
AH121009	6E19	5	125 - 87	AH123934	2C14	9	40 - 29	AH125587	2G9	1	50 - 5
AH121046	6E9	19	125 - 77	AH124006	2J2	13	50 - 73	AH125588	2G9	1	50 - 5
AH121046	6E11	21	125 - 79	AH124008	2I19	9	50 - 65	AH125627	2B15	1	40 - 5
AH121047	6D20	31	125 - 63	AH124008	2I23	8	50 - 69	AH125640	3J8	2	80 - 49
AH121150	2I8	16	50 - 54	AH124008	2I25	8	50 - 71	AH125641	3J8	1	80 - 49
AH121190	2B25	8	40 - 15	AH124050	5H8	3	121 - 55	AH125642	3J8	3	80 - 49
AH121216	5F22	3	121 - 21	AH124502	6F19	19	130 - 23	AH125643	4B15	4	90 - 7
AH121234	2D16	12	40 - 55	AH124509	6G15	11	130 - 44	AH125644	3J8	17	80 - 49
AH121340	3C2	29	60 - 19	AH124567	2D20	1A	40 - 59	AH125644	6F23	6	130 - 27
AH121340	4E3	29	90 - 71	AH124573	5C4	9	120 - 21	AH125654	3C24	5	60 - 41
AH121475	2D6	10	40 - 45	AH124635	6B13	5	125 - 5	AH125655	3C24	6	60 - 41
AH121475	2D22	3	40 - 61	AH124635	6B15	5	125 - 7	AH125658	3C13	23	60 - 30
AH121580	2G19	18	50 - 15	AH124731	3F11	3	70 - 54	AH125672	2D10	19	40 - 49
AH121605	3E10	4	70 - 29	AH124731	3F13	3	70 - 57	AH125673	1B13	6	20 - 7
AH121613	4B17	6	90 - 9	AH124731	3F15	3	70 - 59	AH125685	3H24	11	80 - 17
AH121643	3D15	6	70 - 10	AH124731	3F16	3	70 - 60	AH125686	3H14	11	80 - 7
AH121657	5G8	24	121 - 31	AH124731	3F17	3	70 - 61	AH125688	5G2	7	121 - 25
AH121658	5G8	13	121 - 31	AH124731	3F18	3	70 - 62	AH125692	5D2	5	120 - 45
AH121922	2G25	1	50 - 21	AH124731	3F20	3	70 - 65	AH125692	5D2	7	120 - 45
AH121923	2G25	1	50 - 21	AH124731	3F22	3	70 - 67	AH125716	2J2	12	50 - 73
AH122018	5G2	9	121 - 25	AH124731	3F24	18	70 - 69	AH125733	3D13	2	70 - 8
AH122080	5D6	4	120 - 49	AH124731	3G2	18	70 - 73	AH125744	2D4	2	40 - 43
AH122080	5D8	4	120 - 51	AH124826	5H2	2	121 - 49	AH125744	2D10	1	40 - 49
AH122080	5D16	5	120 - 59	AH124828	5H2	16	121 - 49	AH125760	2H12	22	50 - 33
AH122080	5D20	7	120 - 63	AH124832	3E6	21	70 - 25	AH125760	2H13	22	50 - 34
AH122080	5D24	5	120 - 67	AH124852	6G8	4	130 - 37	AH125760	2H18	22	50 - 39
AH122099	4C10	18	90 - 27	AH124857	4D21	13	90 - 63	AH125760	3D12	18	70 - 7
AH122099	4C12	5	90 - 29	AH124878	6G8	3	130 - 37	AH125760	3F6	11	70 - 49
AH122100	3D2	4	60 - 43	AH124882	4B25	11	90 - 17	AH125760	3F24	2	70 - 69
AH122139	2E18	5	40 - 81	AH124940	2G13	5	50 - 9	AH125760	3G2	2	70 - 73
AH122244	3H20	8	80 - 13	AH125010	2C20	14	40 - 35	AH125760	3G4	21	70 - 75
AH122264	6G4	21	130 - 33	AH125010	2G17	10	50 - 13	AH125760	6D8	18	125 - 51
AH122265	6G4	5	130 - 33	AH125010	4C20	10	90 - 37	AH125782	4F16	14	110 - 9
AH122444	4E7	13	90 - 75	AH125070	6H2	15	130 - 55	AH125782	4H6	25	110 - 49
AH122451	5G20	14	121 - 43	AH125070	6H2	16	130 - 55	AH125783	4F16	5	110 - 9
AH122495	4F16	10	110 - 9	AH125080	6G6	21	130 - 35	AH125788	3I2	16	80 - 19



## NUMERICAL INDEX - CONTINUED

PART NO.	GRID	KEY	PAGE	PART NO.	GRID	KEY	PAGE	PART NO.	GRID	KEY	PAGE
AH125814	6F25	36	130 - 29	AH126388	6D20	18	125 - 63	AH127974	4F2	15	90 - 95
AH125820	3I20	10	80 - 37	AH126389	3D20	9	70 - 15	AH128037	6F25	15	130 - 29
AH125895	6E9	9	125 - 77	AH126389	3D22	9	70 - 17	AH128074	6H5	37	130 - 59
AH125895	6E11	9	125 - 79	AH126417	4G13	6	110 - 31	AH128075	6H5	37	130 - 59
AH125910	3E15	18	70 - 34	AH126538	5G24	3	121 - 47	AH128267	2G24	10	50 - 20
AH125910	6H12	5	160 - 2	AH126541	2D22	7	40 - 61	AH128307	5D2	16	120 - 45
AH125910	6H13	18	160 - 3	AH126619	6F23	14	130 - 27	AH128313	5C25	31	120 - 43
AH125941	2J6	28	50 - 77	AH126620	3J10	24	80 - 51	AH128327	2B18	3	40 - 8
AH125958	2G17	16	50 - 13	AH126657	3C6	14	60 - 23	AH128328	2B18	3	40 - 8
AH125958	4C20	16	90 - 37	AH126657	3C8	10	60 - 25	AH128328	2D23	6	40 - 62
AH125963	4B21	8	90 - 13	AH126657	3D9	6	70 - 4	AH128349	4B11	10	90 - 3
AH125966	5E2	9	120 - 69	AH126657	3D10	6	70 - 5	AH128357	2G17	18	50 - 13
AH125966	5E4	2	120 - 71	AH126657	3D18	14	70 - 13	AH128357	4C20	18	90 - 37
AH125967	5D14	1A	120 - 57	AH126657	3E4	8	70 - 23	AH128359	6B13	5	125 - 5
AH125967	5D14	2	120 - 57	AH126657	3E6	5	70 - 25	AH128359	6B15	5	125 - 7
AH125969	5D22	10	120 - 65	AH126657	3E8	16	70 - 27	AH128360	5C10	7	120 - 27
AH125969	5E4	12	120 - 71	AH126677	6D20	13	125 - 63	AH128361	5C10	9	120 - 27
AH125969	5E6	12	120 - 73	AH126719	5B19	13	120 - 11	AH128384	5H10	1	121 - 57
AH125969	5E8	12	120 - 75	AH126720	5B19	12	120 - 11	AH128384	5H12	1	121 - 59
AH125970	5D22	10	120 - 65	AH126808	3C18	2	60 - 35	AH128385	5H10	5	121 - 57
AH125970	5E4	12	120 - 71	AH126811	2B25	5	40 - 15	AH128391	2H4	5	50 - 25
AH125970	5E6	12	120 - 73	AH126831	2B11	3	40 - 1	AH128397	2E18	10	40 - 81
AH125970	5E8	12	120 - 75	AH126834	4B13	8	90 - 5	AH128402	2C4	2	40 - 19
AH125971	5D22	6	120 - 65	AH126837	6H2	19	130 - 55	AH128413	2D19	7	40 - 58
AH125971	5E2	8	120 - 69	AH126837	6H20	2	170 - 4	AH128448	2D16	21	40 - 55
AH125973	3C14	11	60 - 31	AH126865	6E5	13	125 - 73	AH128448	3H4	13	70 - 99
AH125975	5D14	14	120 - 57	AH126880	5B25	9	120 - 17	AH128449	2H12	24	50 - 33
AH125975	5D22	17	120 - 65	AH127275	3J2	6	80 - 43	AH128449	2H13	24	50 - 34
AH125976	5D22	15	120 - 65	AH127383	4C22	14	90 - 39	AH128449	3D13	1	70 - 8
AH126007	6E7	34	125 - 75	AH127383	4F14	14	110 - 7	AH128449	3H4	11	70 - 99
AH126007	6E9	18	125 - 77	AH127390	4D21	8	90 - 63	AH128449	3H4	12	70 - 99
AH126007	6E11	20	125 - 79	AH127426	5D16	11	120 - 59	AH128449	3H4	13	70 - 99
AH126007	6H21	1	170 - 5	AH127435	5D20	10	120 - 63	AH128450	3H4	10	70 - 99
AH126008	6E7	33	125 - 75	AH127465	5D6	9	120 - 49	AH128451	3H4	5	70 - 99
AH126015	3H14	6	80 - 7	AH127465	5D8	9	120 - 51	AH128452	4C22	12	90 - 39
AH126016	3H14	8	80 - 7	AH127465	5D16	10	120 - 59	AH128452	4F14	12	110 - 7
AH126034	4E11	22	90 - 79	AH127465	5D18	12	120 - 61	AH128458	5D10	4	120 - 53
AH126034	4E13	20	90 - 81	AH127469	5D20	1	120 - 63	AH128461	5E2	1	120 - 69
AH126036	4E11	21	90 - 79	AH127477	5D6	10	120 - 49	AH128464	5D22	2	120 - 65
AH126036	4E13	4	90 - 81	AH127477	5D8	10	120 - 51	AH128467	3C14	8	60 - 31
AH126036	4E15	4	90 - 83	AH127496	5H8	4	121 - 55	AH128528	2G19	1	50 - 15
AH126044	4E15	2	90 - 83	AH127572	2B17	9	40 - 7	AH128554	6F23	27	130 - 27
AH126091	4G17	11	110 - 35	AH127572	4C18	9	90 - 35	AH128584	3D20	4	70 - 15
AH126094	5H4	35	121 - 51	AH127599	3C16	1	60 - 33	AH128584	3D22	4	70 - 17
AH126097	5D14	7	120 - 57	AH127604	6H6	14	130 - 60	AH128585	4B19	13	90 - 11
AH126119	5C19	3	120 - 36	AH127662	4D2	8	90 - 43	AH128596	3I24	7	80 - 41
AH126122	3E24	17	70 - 43	AH127674	4B13	2	90 - 5	AH128597	3J2	12	80 - 43
AH126122	3F2	17	70 - 45	AH127677	2E18	6	40 - 81	AH128597	3J6	17	80 - 47
AH126169	2J17	7	50 - 88	AH127684	4E11	6	90 - 79	AH128598	3J2	10	80 - 43
AH126169	6D10	3	125 - 53	AH127685	4E11	7	90 - 79	AH128598	3J6	17	80 - 47
AH126188	5H4	24	121 - 51	AH127704	3J2	8	80 - 43	AH128610	4C4	14	90 - 21
AH126214	5D2	3	120 - 45	AH127716	3I24	9	80 - 41	AH128610	4C6	14	90 - 23
AH126239	6D20	32	125 - 63	AH127718	2B18	2	40 - 8	AH128618	5D2	5	120 - 45
AH126240	3F8	18	70 - 51	AH127718	2D23	4	40 - 62	AH128618	5D2	7	120 - 45
AH126242	3F8	21	70 - 51	AH127726	5D2	2	120 - 45	AH128639	3F10	10	70 - 53
AH126254	3B24	4	60 - 17	AH127829	5C2	13	120 - 19	AH128640	3F10	8	70 - 53
AH126265	4B23	1	90 - 15	AH127837	3H24	13	80 - 17	AH128641	3G8	1	70 - 79
AH126272	2D10	8	40 - 49	AH127866	6H5	45	130 - 59	AH128642	3G8	12	70 - 79
AH126275	6F25	9	130 - 29	AH127866	6H21	4	170 - 5	AH128649	4F18	24	110 - 11
AH126279	6F25	11	130 - 29	AH127871	5D6	13	120 - 49	AH128654	2I10	14	50 - 56
AH126281	6G12	4	130 - 41	AH127881	2I15	13	50 - 61	AH128654	3H5	14	70 - 100
AH126282	6G12	10	130 - 41	AH127881	2I19	12	50 - 65	AH128655	2D16	22	40 - 55
AH126283	6G12	6	130 - 41	AH127881	2I21	15	50 - 67	AH128655	2I10	6	50 - 56
AH126284	6G12	11	130 - 41	AH127887	3D14	1	70 - 9	AH128655	2I10	9	50 - 56
AH126352	3J10	21	80 - 51	AH127887	3D14	..	70 - 9	AH128655	2I10	12	50 - 56
AH126354	6F6	6	130 - 9	AH127887	6C19	14	125 - 37	AH128655	2I10	16	50 - 56
AH126358	2B13	6	40 - 3	AH127892	3F10	3	70 - 53	AH128655	3F6	28	70 - 49

## NUMERICAL INDEX - CONTINUED

PART NO.	GRID	KEY	PAGE	PART NO.	GRID	KEY	PAGE	PART NO.	GRID	KEY	PAGE
AH128655	3H5	6	70 - 100	AH129255	3C2	18	60 - 19	AH130465	5B21	14	120 - 13
AH128655	3H5	9	70 - 100	AH129255	4E3	18	90 - 71	AH130469	3B14	2	60 - 7
AH128655	3H5	12	70 - 100	AH129272	5C4	13	120 - 21	AH130477	5D2	21	120 - 45
AH128655	3H5	16	70 - 100	AH129280	2H14	15	50 - 35	AH130481	3J10	19	80 - 51
AH128663	6E7	20	125 - 75	AH129284	2H16	8	50 - 37	AH130486	5D16	11	120 - 59
AH128664	6E3	2	125 - 71	AH129321	3D24	..	70 - 19	AH130497	2E16	2	40 - 79
AH128664	6E7	24	125 - 75	AH129323	3D12	6	70 - 7	AH130497	3H18	17	80 - 11
AH128672	2I8	1	50 - 54	AH129357	6F2	9	130 - 5	AH130506	3H20	10	80 - 13
AH128672	2I9	1	50 - 55	AH129409	1F7	17	30 - 7	AH130507	1B18	4	20 - 12
AH128682	6G19	10	130 - 49	AH129420	5H4	4	121 - 51	AH130555	3E2	19	70 - 21
AH128692	2J17	1	50 - 88	AH129420	5H8	11	121 - 55	AH130556	3E2	1	70 - 21
AH128727	6H12	1	160 - 2	AH129451	5C23	20	120 - 41	AH130557	3E2	10	70 - 21
AH128742	3F8	12	70 - 51	AH129451	5H4	44	121 - 51	AH130560	3E6	14	70 - 25
AH128744	3B24	9	60 - 17	AH129452	5C23	22	120 - 41	AH130561	3E4	28	70 - 23
AH128753	3E10	21	70 - 29	AH129452	5H4	46	121 - 51	AH130561	3E6	2	70 - 25
AH128757	2J10	21	50 - 81	AH130100	1F13	9	30 - 13	AH130563	3D18	8	70 - 13
AH128761	2J10	19	50 - 81	AH130113	3E10	13	70 - 29	AH130564	3D18	4	70 - 13
AH128777	3G22	18	70 - 93	AH130119	3C12	9	60 - 29	AH130567	3E14	10	70 - 33
AH128778	3G22	11	70 - 93	AH130123	5C21	3	120 - 39	AH130568	3E14	8	70 - 33
AH128779	3G22	12	70 - 93	AH130126	3B22	32	60 - 15	AH130570	6D20	28	125 - 63
AH128779	3G24	12	70 - 95	AH130126	3C4	27	60 - 21	AH130570	6D25	9	125 - 68
AH128780	3G22	17	70 - 93	AH130126	4E5	27	90 - 73	AH130571	6D25	3	125 - 68
AH128780	3G24	11	70 - 95	AH130127	1F5	7	30 - 5	AH130572	6D20	24	125 - 63
AH128785	2D16	25	40 - 55	AH130136	6E7	4	125 - 75	AH130581	3G8	5	70 - 79
AH128785	3F6	..	70 - 49	AH130151	5D6	13	120 - 49	AH130582	5G8	4	121 - 31
AH128842	3B14	22	60 - 7	AH130154	5D6	13	120 - 49	AH130586	4C14	14	90 - 31
AH128842	3B18	30	60 - 11	AH130160	5D24	11	120 - 67	AH130594	4B23	6	90 - 15
AH128843	3B14	23	60 - 7	AH130166	5D24	10	120 - 67	AH130602	2D8	12	40 - 47
AH128843	3B18	30	60 - 11	AH130167	5D24	1	120 - 67	AH130603	2D8	7	40 - 47
AH128849	2F3	2	40 - 91	AH130168	3E16	6	70 - 35	AH130605	3B14	16	60 - 7
AH128851	3E24	8	70 - 43	AH130180	3D12	25	70 - 7	AH130610	4F2	14	90 - 95
AH128853	3F10	5	70 - 53	AH130185	5D6	9	120 - 49	AH130611	2J6	7	50 - 77
AH128854	3G8	17	70 - 79	AH130185	5D8	9	120 - 51	AH130611	2J8	7	50 - 79
AH128855	3G8	16	70 - 79	AH130186	5D6	3	120 - 49	AH130612	3B14	17	60 - 7
AH128859	3D20	22	70 - 15	AH130186	5D8	3	120 - 51	AH130613	3B14	18	60 - 7
AH128859	3D22	22	70 - 17	AH130186	5D16	1	120 - 59	AH130627	2G7	3	50 - 3
AH128860	6H6	7	130 - 60	AH130189	5D20	4	120 - 63	AH130629	3F10	7	70 - 53
AH128865	2F3	13	40 - 91	AH130193	3I2	15	80 - 19	AH130871	3C24	12	60 - 41
AH128894	3F4	5	70 - 47	AH130197	3I20	18	80 - 37	AH130871	3C24	19	60 - 41
AH128903	5H16	5	121 - 63	AH130198	6F25	5	130 - 29	AH130884	6E2	3	125 - 70
AH128904	2B25	9	40 - 15	AH130202	5B13	13	120 - 5	AH130886	6D24	21	125 - 67
AH128909	5E4	13	120 - 71	AH130202	5B15	14	120 - 7	AH130890	3C12	8	60 - 29
AH128914	3I20	17	80 - 37	AH130202	5B17	14	120 - 9	AH130892	6D24	17	125 - 67
AH128924	6H15	12	160 - 5	AH130209	3D9	15	70 - 4	AH130936	3D16	5	70 - 11
AH128925	2C4	3	40 - 19	AH130222	2C24	2	40 - 39	AH130941	3I20	3	80 - 37
AH128925	2C6	17	40 - 21	AH130223	2C24	2	40 - 39	AH130944	3I20	7	80 - 37
AH128925	2C8	2	40 - 23	AH130230	1F13	10	30 - 13	AH130945	3I20	6	80 - 37
AH128925	4E9	8	90 - 77	AH130230	3C16	14	60 - 33	AH130949	2I10	6	50 - 56
AH128926	2C4	8	40 - 19	AH130370	6F6	17	130 - 9	AH130949	2I10	9	50 - 56
AH128926	2C6	7	40 - 21	AH130393	3J8	7	80 - 49	AH130949	2I10	12	50 - 56
AH128926	4E9	2	90 - 77	AH130412	3B14	19	60 - 7	AH130949	2I10	15	50 - 56
AH128929	2C24	18	40 - 39	AH130413	3B14	20	60 - 7	AH130949	3H5	6	70 - 100
AH128929	3F4	11	70 - 47	AH130416	3B14	5	60 - 7	AH130949	3H5	9	70 - 100
AH128977	1F15	3	30 - 15	AH130417	3B14	6	60 - 7	AH130949	3H5	12	70 - 100
AH128986	2D22	22	40 - 61	AH130421	2C14	7	40 - 29	AH130949	3H5	15	70 - 100
AH128992	3G22	3	70 - 93	AH130421	2C14	10	40 - 29	AH130950	2I8	15	50 - 54
AH128993	2J2	3	50 - 73	AH130424	5C21	27	120 - 39	AH130954	3H16	1	80 - 9
AH128997	2I13	4	50 - 59	AH130425	5C21	12	120 - 39	AH130964	5C8	6	120 - 25
AH129045	2C24	8	40 - 39	AH130429	3C4	47	60 - 21	AH130988	5C25	28	120 - 43
AH129056	1F3	15	30 - 3	AH130429	4E5	47	90 - 73	AH130996	5D20	10	120 - 63
AH129056	1F7	6	30 - 7	AH130435	3C4	36	60 - 21	AH131045	3B19	2	60 - 12
AH129058	1F7	8	30 - 7	AH130445	2J16	4	50 - 87	AH131045	3B19	4	60 - 12
AH129195	3H18	5	80 - 11	AH130447	2J6	12	50 - 77	AH131045	3B19	5	60 - 12
AH129236	3C4	39	60 - 21	AH130447	2J8	12	50 - 79	AH131045	3B19	6	60 - 12
AH129236	4E5	39	90 - 73	AH130448	3E24	11	70 - 43	AH131048	3B19	9	60 - 12
AH129244	3F8	4	70 - 51	AH130448	3F2	11	70 - 45	AH131049	3B19	9	60 - 12
AH129245	3G12	..	70 - 83	AH130449	2J17	3	50 - 88	AH131051	3B18	12	60 - 11

## NUMERICAL INDEX - CONTINUED

PART NO.	GRID	KEY	PAGE	PART NO.	GRID	KEY	PAGE	PART NO.	GRID	KEY	PAGE
AH131054	3B18	19	60 - 11	AH131250	3E22	5	70 - 41	AH131461	3F24	10	70 - 69
AH131055	3B18	19	60 - 11	AH131302	3C8	25	60 - 25	AH131535	3E18	26	70 - 37
AH131058	3B18	7	60 - 11	AH131303	3D18	2	70 - 13	AH131535	3E20	30	70 - 39
AH131059	3B18	7	60 - 11	AH131303	3E6	23	70 - 25	AH131535	3E22	22	70 - 41
AH131062	3B18	28	60 - 11	AH131303	4G15	16	110 - 33	AH131541	1F7	19	30 - 7
AH131070	5G16	5	121 - 39	AH131304	3G6	13	70 - 77	AH131545	3C6	19	60 - 23
AH131071	2E6	3	40 - 69	AH131305	2H6	..	50 - 27	AH131546	3C6	18	60 - 23
AH131071	2E6	7	40 - 69	AH131305	2H8	..	50 - 29	AH131550	6F10	12	130 - 13
AH131074	6D25	10	125 - 68	AH131305	2H10	..	50 - 31	AH131570	3E15	12	70 - 34
AH131080	6E1	1	125 - 69	AH131305	2J14	3	50 - 85	AH131570	3E15	13	70 - 34
AH131089	3D14	..	70 - 9	AH131305	2J14	6	50 - 85	AH131570	3E15	15	70 - 34
AH131166	6C7	16	125 - 25	AH131308	2H14	1	50 - 35	AH131570	6H13	15	160 - 3
AH131167	2H12	28	50 - 33	AH131308	2H14	3	50 - 35	AH131571	3E15	3	70 - 34
AH131168	2H16	28	50 - 37	AH131308	2H14	6	50 - 35	AH131571	3E15	4	70 - 34
AH131169	2H6	9	50 - 27	AH131310	2H18	1	50 - 39	AH131571	3E15	5	70 - 34
AH131169	2H18	2	50 - 39	AH131310	2H18	16	50 - 39	AH131571	3E15	7	70 - 34
AH131169	2H19	9	50 - 40	AH131310	2H18	24	50 - 39	AH131571	3E15	10	70 - 34
AH131170	2H12	15	50 - 33	AH131310	2H18	..	50 - 39	AH131571	6H13	10	160 - 3
AH131171	2H6	17	50 - 27	AH131310	2J12	1	50 - 83	AH131572	3E15	9	70 - 34
AH131171	2H18	3	50 - 39	AH131311	3E8	6	70 - 27	AH131572	6H13	9	160 - 3
AH131171	2H18	6	50 - 39	AH131316	3C8	24	60 - 25	AH131576	3E10	18	70 - 29
AH131171	2H18	7	50 - 39	AH131317	3D9	16	70 - 4	AH131747	4C4	19	90 - 21
AH131171	2H18	8	50 - 39	AH131319	5C25	19	120 - 43	AH131842	3G6	3	70 - 77
AH131171	2H18	10	50 - 39	AH131320	2C10	5	40 - 25	AH131842	6D18	3	125 - 61
AH131171	2H18	11	50 - 39	AH131320	5F4	1	121 - 3	AH131843	4C10	1	90 - 27
AH131171	2H18	13	50 - 39	AH131326	3F11	19	70 - 54	AH131845	4C2	2	90 - 19
AH131171	2H19	2	50 - 40	AH131326	3F13	33	70 - 57	AH131848	4C4	15	90 - 21
AH131171	2H19	3	50 - 40	AH131326	3F15	21	70 - 59	AH131851	4C2	2	90 - 19
AH131171	2H19	4	50 - 40	AH131326	3F16	25	70 - 60	AH131852	4C2	2	90 - 19
AH131171	2H19	5	50 - 40	AH131326	3F17	23	70 - 61	AH131860	6F17	18	130 - 21
AH131171	2H19	7	50 - 40	AH131326	3F18	26	70 - 62	AH131861	2G19	33	50 - 15
AH131171	2H19	8	50 - 40	AH131326	3F20	24	70 - 65	AH131862	2G21	17	50 - 17
AH131171	2H19	10	50 - 40	AH131326	3F22	24	70 - 67	AH131873	6F17	6	130 - 21
AH131172	2H10	29	50 - 31	AH131326	3F24	9	70 - 69	AH131881	4C10	12	90 - 27
AH131172	2H11	3	50 - 32	AH131326	3G2	9	70 - 73	AH131900	6F17	20	130 - 21
AH131172	2H11	5	50 - 32	AH131327	3F11	13	70 - 54	AH131965	3H16	12	80 - 9
AH131172	2H11	6	50 - 32	AH131327	3F11	25	70 - 54	AH131965	5C18	2	120 - 35
AH131172	2H11	7	50 - 32	AH131327	3F24	13	70 - 69	AH131979	5H8	4	121 - 55
AH131172	2H11	8	50 - 32	AH131327	3G2	13	70 - 73	AH132027	3D8	5	70 - 3
AH131172	2H11	9	50 - 32	AH131331	5B25	3	120 - 17	AH132031	6D10	4	125 - 53
AH131172	2H11	10	50 - 32	AH131332	3D15	8	70 - 10	AH132117	4B21	16	90 - 13
AH131173	2H14	16	50 - 35	AH131334	3E16	3	70 - 35	AH132148	4B23	17	90 - 15
AH131173	2H14	19	50 - 35	AH131378	3E10	7	70 - 29	AH132161	3F11	..	70 - 54
AH131174	2H14	15	50 - 35	AH131381	3C6	30	60 - 23	AH132162	3F11	24	70 - 54
AH131176	3G6	4	70 - 77	AH131382	3C6	29	60 - 23	AH132188	3E2	4	70 - 21
AH131176	3G6	..	70 - 77	AH131391	2H10	3	50 - 31	AH132188	3E6	14	70 - 25
AH131176	6D18	11	125 - 61	AH131391	2H10	5	50 - 31	AH132200	6D12	15	125 - 55
AH131176	6D18	..	125 - 61	AH131391	2H10	11	50 - 31	AH132202	3E20	25	70 - 39
AH131178	3G6	5	70 - 77	AH131391	2H10	..	50 - 31	AH132203	3E18	22	70 - 37
AH131178	3G6	14	70 - 77	AH131391	2H18	33	50 - 39	AH132203	3E20	26	70 - 39
AH131178	3G6	15	70 - 77	AH131391	2H18	34	50 - 39	AH132210	3G12	16	70 - 83
AH131178	3G6	16	70 - 77	AH131391	2H18	35	50 - 39	AH132230	6G23	24	130 - 51
AH131178	3G6	17	70 - 77	AH131391	2H18	..	50 - 39	AH132232	2E20	14	40 - 83
AH131181	3G4	..	70 - 75	AH131403	4C24	2	90 - 41	AH132238	2H7	4	50 - 28
AH131183	2J14	7	50 - 85	AH131404	3F13	35	70 - 57	AH132239	2H7	4	50 - 28
AH131183	3G4	26	70 - 75	AH131404	3F24	12	70 - 69	AH132264	2C4	7	40 - 19
AH131213	5D6	14	120 - 49	AH131405	3F13	34	70 - 57	AH132264	2C6	6	40 - 21
AH131213	5D16	12	120 - 59	AH131405	3F18	25	70 - 62	AH132264	4E11	1	90 - 79
AH131213	5D20	14	120 - 63	AH131405	3F20	25	70 - 65	AH132264	4F2	18	90 - 95
AH131213	5D24	12	120 - 67	AH131405	3F24	8	70 - 69	AH132356	5D4	8	120 - 47
AH131213	6D24	26	125 - 67	AH131405	3G2	8	70 - 73	AH132361	3H12	4	80 - 5
AH131240	6G10	1	130 - 39	AH131420	3F15	..	70 - 59	AH132361	6C25	2	125 - 43
AH131241	6G10	1	130 - 39	AH131421	3F15	..	70 - 59	AH132361	6D2	11	125 - 45
AH131248	5H8	28	121 - 55	AH131460	3F16	18	70 - 60	AH132372	6F17	24	130 - 21
AH131249	5H8	31	121 - 55	AH131460	3F18	18	70 - 62	AH132372	6F19	21	130 - 23
AH131250	3E18	3	70 - 37	AH131461	3F16	24	70 - 60	AH132759	6D4	4	125 - 47
AH131250	3E20	5	70 - 39	AH131461	3F18	24	70 - 62	AH132783	4C15	2	90 - 32

## NUMERICAL INDEX - CONTINUED

PART NO.	GRID	KEY	PAGE	PART NO.	GRID	KEY	PAGE	PART NO.	GRID	KEY	PAGE
AH132785	5D16	10	120 - 59	AH133500	4C2	1	90 - 19	AH134555	6D12	12	125 - 55
AH132787	5D16	10	120 - 59	AH133500	4C2	8	90 - 19	AH134555	6D18	5	125 - 61
AH132803	1F13	14	30 - 13	AH133501	4C2	1	90 - 19	AH134555	6D18	14	125 - 61
AH132806	6F4	10	130 - 7	AH133501	4C2	8	90 - 19	AH134555	6D18	15	125 - 61
AH132814	1F3	1	30 - 3	AH133660	2H6	29	50 - 27	AH134555	6D18	16	125 - 61
AH132819	4B21	13	90 - 13	AH133661	2H18	27	50 - 39	AH134555	6D18	17	125 - 61
AH132832	3D8	4	70 - 3	AH133752	3B24	8	60 - 17	AH134558	6C21	6	125 - 39
AH132840	3B18	24	60 - 11	AH133758	6D12	2	125 - 55	AH134578	1F13	5	30 - 13
AH132855	6D24	27	125 - 67	AH133759	6D10	2	125 - 53	AH134579	6C21	10	125 - 39
AH132865	2E20	4	40 - 83	AH133770	6D10	11	125 - 53	AH134580	6C21	9	125 - 39
AH132866	2E20	8	40 - 83	AH133830	3H14	19A	80 - 7	AH134593	5H6	20	121 - 53
AH132867	2E20	9	40 - 83	AH133843	3D20	8	70 - 15	AH134593	5H20	17	121 - 67
AH132869	2E20	3	40 - 83	AH133844	2G5	4	50 - 1	AH134593	6C9	5	125 - 27
AH132891	4B21	..	90 - 13	AH133896	2D16	14	40 - 55	AH134596	5H4	36	121 - 51
AH132965	5E2	3	120 - 69	AH133941	2J8	32	50 - 79	AH134596	5H6	2	121 - 53
AH132966	5E2	3	120 - 69	AH133942	2J8	33	50 - 79	AH134597	5H8	38	121 - 55
AH132988	6D6	2	125 - 49	AH133948	6D12	21	125 - 55	AH134598	6F17	16	130 - 21
AH133014	1B17	6	20 - 11	AH133948	6D14	1	125 - 57	AH134630	5C12	18	120 - 29
AH133088	4B17	..	90 - 9	AH133948	6D16	1	125 - 59	AH134642	1B11	7	20 - 5
AH133088	4F4	17	90 - 97	AH133949	6D12	17	125 - 55	AH134643	1B11	11	20 - 5
AH133091	5E2	3	120 - 69	AH133949	6D14	2	125 - 57	AH134646	1B11	14	20 - 5
AH133109	2D6	2	40 - 45	AH133949	6D16	2	125 - 59	AH134658	5B19	26	120 - 11
AH133126	3B16	9	60 - 9	AH133950	6D14	9	125 - 57	AH134662	5B23	16	120 - 15
AH133128	3B16	3	60 - 9	AH133961	2J2	8	50 - 73	AH134669	6F6	18A	130 - 9
AH133128	3B16	12	60 - 9	AH133987	3C10	10	60 - 27	AH134679	6D14	22	125 - 57
AH133128	3B16	28	60 - 9	AH133988	3C10	9	60 - 27	AH134680	6D14	21	125 - 57
AH133128	3B16	29	60 - 9	AH134121	4F22	27	110 - 15	AH134686	2E18	4	40 - 81
AH133128	3B16	33	60 - 9	AH134121	4F24	27	110 - 17	AH134705	6F6	9	130 - 9
AH133128	3B16	..	60 - 9	AH134121	4G2	27	110 - 19	AH134724	4C24	1	90 - 41
AH133151	3E20	2	70 - 39	AH134144	5B19	17	120 - 11	AH134728	2D4	21	40 - 43
AH133151	3E22	2	70 - 41	AH134145	5B19	17	120 - 11	AH134728	2D18	3	40 - 57
AH133156	5B21	10	120 - 13	AH134203	2F4	5	40 - 92	AH134729	5H14	4	121 - 61
AH133157	5B21	22	120 - 13	AH134205	3D8	9	70 - 3	AH134730	5H14	5	121 - 61
AH133157	5C2	18	120 - 19	AH134207	5G8	6	121 - 31	AH134733	3F24	7	70 - 69
AH133160	3C6	34	60 - 23	AH134224	6H15	3	160 - 5	AH134733	3F24	25	70 - 69
AH133161	3C6	33	60 - 23	AH134229	2D2	11	40 - 41	AH134733	3G2	7	70 - 73
AH133191	5H4	8	121 - 51	AH134231	2D2	1	40 - 41	AH134733	3G2	25	70 - 73
AH133191	5H8	18	121 - 55	AH134231	2D4	1	40 - 43	AH134765	6F23	4	130 - 27
AH133191	6G25	18	130 - 53	AH134234	2C20	16	40 - 35	AH134774	5C18	10	120 - 35
AH133191	6H2	3	130 - 55	AH134236	2D6	20	40 - 45	AH134778	5C6	7	120 - 23
AH133191	6H5	28	130 - 59	AH134238	2D2	3	40 - 41	AH134800	2E22	14	40 - 85
AH133196	6D14	17	125 - 57	AH134238	3I12	2	80 - 29	AH134802	2E24	2	40 - 87
AH133226	3H16	6	80 - 9	AH134240	2D6	20	40 - 45	AH134811	4F6	9	90 - 99
AH133265	3E18	14	70 - 37	AH134249	2D4	1	40 - 43	AH134813	3C16	13	60 - 33
AH133265	3E20	16	70 - 39	AH134250	2D19	1	40 - 58	AH134814	3C17	1	60 - 34
AH133285	3E18	7	70 - 37	AH134262	2D24	6	40 - 63	AH134824	4F22	2	110 - 15
AH133285	3E18	8	70 - 37	AH134280	2C20	17	40 - 35	AH134826	4F22	3	110 - 15
AH133285	3E18	9	70 - 37	AH134280	2C22	4	40 - 37	AH134826	4F24	3	110 - 17
AH133285	3E18	10	70 - 37	AH134280	2C24	1	40 - 39	AH134826	4G2	3	110 - 19
AH133285	3E18	11	70 - 37	AH134288	2F11	5	40 - 99	AH134833	3F11	..	70 - 54
AH133285	3E18	12	70 - 37	AH134291	2D14	23	40 - 53	AH134842	1F7	15	30 - 7
AH133285	3E18	27	70 - 37	AH134291	2D16	32	40 - 55	AH134858	6F17	20	130 - 21
AH133285	3E20	7	70 - 39	AH134292	2D2	5	40 - 41	AH134859	5G14	..	121 - 37
AH133285	3E20	8	70 - 39	AH134296	2C2	3	40 - 17	AH134861	5F24	..	121 - 23
AH133285	3E20	9	70 - 39	AH134296	2C20	16	40 - 35	AH134864	4F12	..	110 - 5
AH133285	3E20	10	70 - 39	AH134304	3B18	31	60 - 11	AH134873	5H8	7	121 - 55
AH133285	3E20	11	70 - 39	AH134305	3B18	31	60 - 11	AH134873	5H8	38	121 - 55
AH133285	3E20	12	70 - 39	AH134349	5E21	27	120 - 89	AH134884	4E7	16	90 - 75
AH133285	3E20	31	70 - 39	AH134351	5E21	19	120 - 89	AH134951	2I23	1	50 - 69
AH133303	3I8	1	80 - 25	AH134360	5E9	1	120 - 76	AH134971	2I15	12	50 - 61
AH133316	2F8	12	40 - 96	AH134360	5E15	..	120 - 83	AH134972	2I15	11	50 - 61
AH133373	6E24	12	130 - 3	AH134444	6C17	8	125 - 35	AH135029	2I13	16	50 - 59
AH133494	4G17	31	110 - 35	AH134522	4C16	2	90 - 33	AH135035	1B9	4	20 - 3
AH133499	4C2	1	90 - 19	AH134532	3E4	18	70 - 23	AH135063	5C8	13	120 - 25
AH133499	4C2	8	90 - 19	AH134533	3E8	5	70 - 27	AH135064	3E16	3	70 - 35
AH133499	4C4	25	90 - 21	AH134549	6H5	4	130 - 59	AH135077	5G10	10	121 - 33
AH133499	4C6	20	90 - 23	AH134554	6D18	13	125 - 61	AH135150	3I6	20	80 - 23

## NUMERICAL INDEX - CONTINUED

PART NO.	GRID	KEY	PAGE	PART NO.	GRID	KEY	PAGE	PART NO.	GRID	KEY	PAGE
AH135151	3I6	20	80 - 23	AH135744	2D16	23	40 - 55	AH136554	6H10	2	130 - 65
AH135155	1F3	25	30 - 3	AH135744	3F6	15	70 - 49	AH136557	4B25	13	90 - 17
AH135160	5E13	8	120 - 81	AH135787	2C20	9	40 - 35	AH136570	2B15	3	40 - 5
AH135170	2J2	14	50 - 73	AH135787	2C20	12	40 - 35	AH136599	5F4	17	121 - 3
AH135171	2J2	19	50 - 73	AH135787	2C20	21	40 - 35	AH136605	5B21	12	120 - 13
AH135181	5H20	21	121 - 67	AH135787	2C24	17	40 - 39	AH136608	3I12	5	80 - 29
AH135182	3I8	5	80 - 25	AH135813	5F4	3	121 - 3	AH136616	3H18	6	80 - 11
AH135191	1F3	18	30 - 3	AH135821	2F5	3	40 - 93	AH136618	3I6	1	80 - 23
AH135207	6E9	15	125 - 77	AH135822	2E25	12	40 - 88	AH136635	6F14	8	130 - 17
AH135207	6E11	17	125 - 79	AH135823	2E25	11	40 - 88	AH136873	4F10	30	110 - 3
AH135217	3D2	4	60 - 43	AH135837	6B25	1	125 - 17	AH136873	4H6	19	110 - 49
AH135222	6G4	4	130 - 33	AH135893	1F3	27	30 - 3	AH136896	2C4	2	40 - 19
AH135225	6G4	19	130 - 33	AH135951	2B25	7	40 - 15	AH136896	2C6	2	40 - 21
AH135227	6G4	7	130 - 33	AH135952	5F12	21	121 - 11	AH136929	4D15	2	90 - 57
AH135229	6G4	13	130 - 33	AH135958	5F12	14	121 - 11	AH136930	4D15	4	90 - 57
AH135240	5C2	6	120 - 19	AH135962	4F22	1	110 - 15	AH136934	4D17	3	90 - 59
AH135254	6I12	..	170 - 21	AH136023	6G8	7	130 - 37	AH136935	4D17	2	90 - 59
AH135254	6I14	..	170 - 23	AH136046	3H18	21	80 - 11	AH136936	4D19	3	90 - 61
AH135254	6I16	..	170 - 25	AH136047	3H20	17	80 - 13	AH136937	4D13	2	90 - 55
AH135254	6I18	..	170 - 27	AH136052	5G8	16	121 - 31	AH137147	2E18	11	40 - 81
AH135254	6I20	..	170 - 29	AH136146	1F7	11	30 - 7	AH137195	5F10	18	121 - 9
AH135290	3I20	21	80 - 37	AH136147	1F3	20	30 - 3	AH137201	3I20	11	80 - 37
AH135290	4F22	23	110 - 15	AH136153	6G10	15	130 - 39	AH137235	5B9	1	120 - 1
AH135290	4F24	23	110 - 17	AH136163	3H14	1	80 - 7	AH137254	1F3	19	30 - 3
AH135290	4G2	23	110 - 19	AH136172	4E13	6	90 - 81	AH137254	3I2	6	80 - 19
AH135290	5D4	10	120 - 47	AH136172	4E15	6	90 - 83	AH137256	6F21	3	130 - 25
AH135292	6F25	24	130 - 29	AH136202	3D12	25	70 - 7	AH137257	6F21	2	130 - 25
AH135292	6G2	1	130 - 31	AH136202	6D12	25	125 - 55	AH137260	5F12	11	121 - 11
AH135295	5G10	10	121 - 33	AH136203	3D12	6	70 - 7	AH137260	6C9	3	125 - 27
AH135298	3I2	17	80 - 19	AH136233	1F5	15	30 - 5	AH137261	6C7	28	125 - 25
AH135299	3H24	3	80 - 17	AH136239	6D24	25	125 - 67	AH137261	6C9	14	125 - 27
AH135300	3I4	7	80 - 21	AH136248	3D12	..	70 - 7	AH137310	5F24	18	121 - 23
AH135315	4B25	1	90 - 17	AH136248	6D8	3	125 - 51	AH137329	2G11	1	50 - 7
AH135323	2G17	3	50 - 13	AH136248	6D8	4	125 - 51	AH137350	2G19	33	50 - 15
AH135333	6D12	9	125 - 55	AH136248	6D8	7	125 - 51	AH137373	5E15	18	120 - 83
AH135335	5B21	33	120 - 13	AH136248	6D8	8	125 - 51	AH137374	5E15	18	120 - 83
AH135336	5B21	33	120 - 13	AH136248	6D8	9	125 - 51	AH137393	6C9	10	125 - 27
AH135337	5B21	34	120 - 13	AH136248	6D8	..	125 - 51	AH137408	3I8	3	80 - 25
AH135353	4F6	12	90 - 99	AH136285	3J10	18	80 - 51	AH137409	3I8	4	80 - 25
AH135354	4F6	6	90 - 99	AH136301	3B12	3	60 - 5	AH137419	5C18	6	120 - 35
AH135370	2E25	1	40 - 88	AH136301	3B14	1	60 - 7	AH137486	4E11	17	90 - 79
AH135431	6F10	6	130 - 13	AH136301	3B16	32	60 - 9	AH137487	2F1	1	40 - 89
AH135432	6F10	6	130 - 13	AH136304	3B16	26	60 - 9	AH137487	4F6	12	90 - 99
AH135439	6F10	3	130 - 13	AH136305	3B16	2	60 - 9	AH137523	5B21	19	120 - 13
AH135440	6F10	17	130 - 13	AH136326	4B17	8	90 - 9	AH137630	4G17	5	110 - 35
AH135441	6F10	10	130 - 13	AH136355	3J10	5	80 - 51	AH137631	4G17	6	110 - 35
AH135443	6F6	15	130 - 9	AH136356	2C22	1	40 - 37	AH137631	4G17	7	110 - 35
AH135444	6F10	19	130 - 13	AH136358	4F22	17B	110 - 15	AH137631	4G17	8	110 - 35
AH135445	6F10	19	130 - 13	AH136358	4F24	17	110 - 17	AH137631	4G17	9	110 - 35
AH135463	6F8	11	130 - 11	AH136358	4G2	17	110 - 19	AH137631	6D25	10	125 - 68
AH135463	6F19	1	130 - 23	AH136362	2G15	11	50 - 11	AH137631	6F4	10	130 - 7
AH135493	3D24	7	70 - 19	AH136362	3B14	14	60 - 7	AH137632	4G17	34	110 - 35
AH135498	6C21	3	125 - 39	AH136385	1F15	2	30 - 15	AH137641	1F17	9	30 - 17
AH135565	5G2	18	121 - 25	AH136455	3H18	8	80 - 11	AH137671	5E15	14	120 - 83
AH135579	6F19	14	130 - 23	AH136466	2C18	14	40 - 33	AH137672	5E15	14	120 - 83
AH135620	2J6	26	50 - 77	AH136466	2C18	23	40 - 33	AH137675	5E15	13	120 - 83
AH135620	2J8	23	50 - 79	AH136467	2B23	1	40 - 13	AH137676	5E15	13	120 - 83
AH135633	3I18	4	80 - 35	AH136485	6F2	5	130 - 5	AH137677	5E15	14	120 - 83
AH135647	5B25	1	120 - 17	AH136494	2F8	7	40 - 96	AH137678	5E15	14	120 - 83
AH135658	6C13	4	125 - 31	AH136496	2F8	3	40 - 96	AH137688	6C13	10	125 - 31
AH135668	6F4	5	130 - 7	AH136497	4G25	8	110 - 43	AH137702	4E11	4	90 - 79
AH135682	3E6	13	70 - 25	AH136497	5G22	15	121 - 45	AH137704	1B13	17	20 - 7
AH135684	3D18	23	70 - 13	AH136498	2E18	11	40 - 81	AH137725	4C14	11B	90 - 31
AH135686	3D18	24	70 - 13	AH136504	3H18	14	80 - 11	AH137733	4G15	1	110 - 33
AH135688	3E4	18	70 - 23	AH136505	4E11	21	90 - 79	AH137735	4E13	2	90 - 81
AH135689	3E8	5	70 - 27	AH136505	4E13	4	90 - 81	AH137751	6D4	4	125 - 47
AH135695	3B10	2	60 - 3	AH136553	6H10	3	130 - 65	AH137752	6C19	13	125 - 37

## NUMERICAL INDEX - CONTINUED

PART NO.	GRID	KEY	PAGE	PART NO.	GRID	KEY	PAGE	PART NO.	GRID	KEY	PAGE
AH137753	6C23	3	125 - 41	AH138802	2D12	2	40 - 51	AH139423	4H2	5	110 - 45
AH137754	2G25	1	50 - 21	AH138802	2D14	5	40 - 53	AH139434	3H4	11	70 - 99
AH137755	2G25	1	50 - 21	AH138809	3C22	1	60 - 39	AH139434	3H4	12	70 - 99
AH137758	1F17	2	30 - 17	AH138809	3D2	4	60 - 43	AH139434	3H4	13	70 - 99
AH137758	4F2	28	90 - 95	AH138864	2J2	7	50 - 73	AH139445	5B9	1	120 - 1
AH137771	5G6	12	121 - 29	AH138865	3G22	7	70 - 93	AH139516	4G4	7	110 - 21
AH137772	5G4	1	121 - 27	AH138866	3G22	6	70 - 93	AH139595	6C2	7	125 - 19
AH137779	5H20	36	121 - 67	AH138891	6B11	5	125 - 3	AH139596	6C2	3	125 - 19
AH137792	6B11	7	125 - 3	AH138940	1B22	6	20 - 16	AH139611	3D24	7	70 - 19
AH137807	3J6	11	80 - 47	AH138940	1F17	5	30 - 17	AH139641	4G4	7	110 - 21
AH137845	4G17	1	110 - 35	AH138947	6F4	8	130 - 7	AH139679	6B23	20	125 - 15
AH137858	3H20	5	80 - 13	AH138957	2G8	1	50 - 4	AH139680	6B23	19	125 - 15
AH137859	3H22	5	80 - 15	AH138986	3C15	5	60 - 32	AH139683	5C18	9	120 - 35
AH137887	3H22	2	80 - 15	AH139060	3F15	22	70 - 59	AH139755	3D24	..	70 - 19
AH137958	3J6	8	80 - 47	AH139060	3F24	11	70 - 69	AH139782	3I2	11	80 - 19
AH137975	3C14	8	60 - 31	AH139060	3G2	11	70 - 73	AH139791	6B11	5	125 - 3
AH137975	6C25	4	125 - 43	AH139065	3C4	36	60 - 21	AH139791	6B23	16	125 - 15
AH137975	6D2	1	125 - 45	AH139065	4E5	36	90 - 73	AH139802	2J8	24	50 - 79
AH137986	6D16	17	125 - 59	AH139072	6G15	9	130 - 44	AH139816	5H2	20	121 - 49
AH138048	2G13	16	50 - 9	AH139072	6G15	10	130 - 44	AH139853	2J10	20	50 - 81
AH138048	2G15	4	50 - 11	AH139115	6C7	11	125 - 25	AH139854	2J10	20	50 - 81
AH138098	2C18	12	40 - 33	AH139118	5F14	5	121 - 13	AH139887	5F4	4	121 - 3
AH138111	4C24	8	90 - 41	AH139119	4D21	6	90 - 63	AH139889	2B17	7	40 - 7
AH138155	6B23	23	125 - 15	AH139123	5E15	2	120 - 83	AH139889	4C18	7	90 - 35
AH138156	6B23	1	125 - 15	AH139129	2B17	12	40 - 7	AH139897	2H7	4	50 - 28
AH138157	6B23	10	125 - 15	AH139129	4C18	12	90 - 35	AH139903	2D10	24	40 - 49
AH138171	2I15	14	50 - 61	AH139180	5G16	10	121 - 39	AH139904	2D10	23	40 - 49
AH138172	2I15	16	50 - 61	AH139202	3I10	5	80 - 27	AH139919	4F10	31	110 - 3
AH138187	4G17	1	110 - 35	AH139236	5E19	6	120 - 87	AH139919	4H6	18	110 - 49
AH138200	3G18	3	70 - 89	AH139237	5E19	6	120 - 87	AH139936	5G8	24	121 - 31
AH138228	5E19	1	120 - 87	AH139238	5G10	43	121 - 33	AH139981	6C9	16	125 - 27
AH138230	5E2	9	120 - 69	AH139240	3F13	..	70 - 57	AH139982	6C9	8	125 - 27
AH138230	5E4	2	120 - 71	AH139240	3F15	..	70 - 59	AH139987	2F3	2	40 - 91
AH138230	5E6	2	120 - 73	AH139240	3F16	..	70 - 60	AH139988	6C4	3	125 - 21
AH138230	5E8	2	120 - 75	AH139240	3F17	..	70 - 61	AH139989	6C15	2	125 - 33
AH138231	5D14	7	120 - 57	AH139240	3F18	..	70 - 62	AH139990	2D10	16	40 - 49
AH138232	5D22	6	120 - 65	AH139240	3F20	..	70 - 65	AH139990	2D11	2	40 - 50
AH138232	5E2	8	120 - 69	AH139240	3F22	..	70 - 67	AH139995	4F22	3	110 - 15
AH138233	3C14	11	60 - 31	AH139242	4H2	6	110 - 45	AH139996	6G12	1	130 - 41
AH138234	5D14	1B	120 - 57	AH139243	4H2	3	110 - 45	AH140001	6H2	15	130 - 55
AH138234	5D14	2	120 - 57	AH139246	5B25	8	120 - 17	AH140001	6H2	16	130 - 55
AH138257	1B11	6	20 - 5	AH139260	6B25	9	125 - 17	AH140004	6H2	19	130 - 55
AH138291	2D24	13	40 - 63	AH139280	5E15	15	120 - 83	AH140004	6H20	2	170 - 4
AH138292	3I6	12	80 - 23	AH139281	5E15	15	120 - 83	AH140010	6B13	8	125 - 5
AH138317	3I6	7	80 - 23	AH139284	3B18	29	60 - 11	AH140044	5C18	7	120 - 35
AH138328	2G17	31	50 - 13	AH139295	4F18	6	110 - 11	AH140044	5D6	10	120 - 49
AH138329	2G17	27	50 - 13	AH139295	4F20	22	110 - 13	AH140044	5D8	10	120 - 51
AH138329	2G17	29	50 - 13	AH139296	5H4	3	121 - 51	AH140044	5D16	2	120 - 59
AH138329	2G17	32	50 - 13	AH139296	5H8	12	121 - 55	AH140044	5D24	2	120 - 67
AH138329	4C20	32	90 - 37	AH139296	6G25	20	130 - 53	AH140051	6C11	8	125 - 29
AH138374	5D4	2	120 - 47	AH139296	6H2	9	130 - 55	AH140078	2E18	4	40 - 81
AH138375	5D4	9	120 - 47	AH139296	6H5	34	130 - 59	AH140081	6G8	4	130 - 37
AH138384	5D2	23	120 - 45	AH139297	5C25	24	120 - 43	AH140113	4G15	9	110 - 33
AH138398	6H2	5	130 - 55	AH139300	2D6	19	40 - 45	AH140118	1B11	2	20 - 5
AH138522	4E7	..	90 - 75	AH139313	5B11	2	120 - 3	AH140119	1B9	2	20 - 3
AH138601	4E7	13	90 - 75	AH139321	5F24	..	121 - 23	AH140120	2B19	7	40 - 9
AH138601	4E7	..	90 - 75	AH139323	2J14	1	50 - 85	AH140120	2D2	..	40 - 41
AH138655	6D22	7	125 - 65	AH139323	5F14	..	121 - 13	AH140127	6F17	14	130 - 21
AH138660	5F18	10	121 - 17	AH139323	5F16	..	121 - 15	AH140127	6F17	20	130 - 21
AH138702	3B16	31	60 - 9	AH139323	5F20	..	121 - 19	AH140127	6F17	24	130 - 21
AH138707	4C20	3	90 - 37	AH139342	5C21	6	120 - 39	AH140127	6F17	25	130 - 21
AH138718	6D16	9	125 - 59	AH139352	4F22	20	110 - 15	AH140129	6B23	12	125 - 15
AH138746	6C9	6	125 - 27	AH139365	5C12	15	120 - 29	AH140129	6B23	23	125 - 15
AH138751	4F10	1	110 - 3	AH139388	6E24	18	130 - 3	AH140131	5B19	26	120 - 11
AH138751	4F10	19	110 - 3	AH139389	6E24	18	130 - 3	AH140146	5E21	8	120 - 89
AH138751	4F10	..	110 - 3	AH139391	6E24	18	130 - 3	AH140161	2G13	2A	50 - 9
AH138752	5F10	3	121 - 9	AH139393	3J4	10	80 - 45	AH140169	2C4	1	40 - 19

## NUMERICAL INDEX - CONTINUED

PART NO.	GRID	KEY	PAGE	PART NO.	GRID	KEY	PAGE	PART NO.	GRID	KEY	PAGE
AH140169	2C9	1	40-24	AH140902	3D12	25	70-7	AH141544	2I25	11	50-71
AH140170	1B9	18	20-3	AH140902	6D6	12	125-49	AH141545	2I23	1	50-69
AH140185	4F12	19	110-5	AH140902	6D8	20	125-51	AH141546	2I15	14	50-61
AH140206	4D11	3	90-53	AH140903	3D12	6	70-7	AH141547	2I15	16	50-61
AH140213	6D20	8	125-63	AH140903	6D8	1	125-51	AH141572	6E7	30	125-75
AH140253	2G7	3	50-3	AH140903	6D8	2	125-51	AH141573	6D24	25	125-67
AH140332	6G23	11	130-51	AH140903	6D8	3	125-51	AH141577	6E24	12	130-3
AH140334	6G17	6	130-47	AH140903	6D8	4	125-51	AH141582	3B18	29	60-11
AH140334	6G19	10	130-49	AH140903	6D8	5	125-51	AH141625	1F13	11	30-13
AH140335	6G19	10	130-49	AH140903	6D8	6	125-51	AH141641	6F25	24	130-29
AH140410	2G10	..	50-6	AH140903	6D8	7	125-51	AH141641	6G2	1	130-31
AH140410	2G21	..	50-17	AH140903	6D8	8	125-51	AH141647	5C21	2	120-39
AH140417	5B19	..	120-11	AH140903	6D8	9	125-51	AH141652	6C23	5	125-41
AH140433	2I8	14	50-54	AH140903	6D8	..	125-51	AH141671	1B11	11	20-5
AH140471	1B22	4	20-16	AH140930	1F17	3	30-17	AH141672	1B11	14	20-5
AH140471	3H2	4	70-97	AH140932	3D22	26	70-17	AH141686	3B14	5	60-7
AH140471	4E15	6	90-83	AH140934	3D9	15	70-4	AH141687	3B14	6	60-7
AH140472	1B22	1	20-16	AH140934	3D10	15	70-5	AH141743	3J8	2	80-49
AH140472	3G22	..	70-93	AH140936	3D9	16	70-4	AH141762	5G18	14	121-41
AH140472	3H2	1	70-97	AH140937	3E24	8	70-43	AH141774	4B15	4	90-7
AH140473	1B17	5	20-11	AH140943	3I6	19	80-23	AH141780	4G15	10	110-33
AH140473	1B22	5	20-16	AH140944	5C16	14	120-33	AH141781	4G15	12	110-33
AH140484	3H12	23	80-5	AH140967	3H16	8	80-9	AH141782	4G15	11	110-33
AH140485	3H12	23	80-5	AH140967	3H16	26	80-9	AH141791	2B17	7	40-7
AH140493	1F3	23	30-3	AH140989	2D6	18	40-45	AH141791	4C18	7	90-35
AH140495	1B9	33	20-3	AH140989	6G14	3A	130-43	AH141794	3B14	2	60-7
AH140497	1B9	31	20-3	AH140994	6C2	23	125-19	AH141804	4C12	1	90-29
AH140498	5F4	5	121-3	AH140995	6C2	19	125-19	AH141807	4F22	1	110-15
AH140498	5F6	24	121-5	AH141012	2C18	1	40-33	AH141808	1B11	17	20-5
AH140499	5F4	16	121-3	AH141012	2C18	5	40-33	AH141811	2H14	19	50-35
AH140499	5F8	23	121-7	AH141012	2C18	6	40-33	AH141812	4C10	12	90-27
AH140553	3H16	15	80-9	AH141012	2C18	7	40-33	AH141812	4C12	11	90-29
AH140576	5C18	13	120-35	AH141012	2C18	8	40-33	AH141813	2F3	10B	40-91
AH140578	5C18	16	120-35	AH141012	2C18	10	40-33	AH141820	5G10	29	121-33
AH140579	5C18	16	120-35	AH141022	5G4	21	121-27	AH141820	5G11	2	121-34
AH140600	5H6	5	121-53	AH141024	5E11	6	120-79	AH141823	1F3	27	30-3
AH140605	2C22	14	40-37	AH141030	5C4	2	120-21	AH141843	6F6	9	130-9
AH140605	3B10	10	60-3	AH141040	3C14	8	60-31	AH141848	6F4	5	130-7
AH140609	2B17	4	40-7	AH141042	6C25	4	125-43	AH141849	1B11	8	20-5
AH140609	4C18	4	90-35	AH141049	5G4	..	121-27	AH141853	5E15	8	120-83
AH140610	2B15	4	40-5	AH141049	5G6	..	121-29	AH141858	3D14	1	70-9
AH140610	2B15	14	40-5	AH141052	5C16	18	120-33	AH141858	3D14	..	70-9
AH140615	4F12	31	110-5	AH141059	5C21	2	120-39	AH141858	6C19	14	125-37
AH140620	5C25	19	120-43	AH141131	2B21	9	40-11	AH141861	4H2	5	110-45
AH140623	1B13	4	20-7	AH141142	6C5	..	125-22	AH141864	3I6	13	80-23
AH140623	6H19	1	170-3	AH141142	6E20	..	125-88	AH141865	3I12	5	80-29
AH140706	2B21	14	40-11	AH141152	3D24	2A	70-19	AH141973	5G22	5	121-45
AH140706	2B21	18	40-11	AH141152	4F22	4A	110-15	AH141984	2B17	9	40-7
AH140713	6G8	7	130-37	AH141161	4B23	4	90-15	AH141984	4C18	9	90-35
AH140714	3C10	8	60-27	AH141171	2B21	5	40-11	AH142000	5C8	17	120-25
AH140715	3C10	7	60-27	AH141178	3J4	1A	80-45	AH142000	5E17	9	120-85
AH140766	5E19	1	120-87	AH141184	6C7	22	125-25	AH142001	5C10	18	120-27
AH140784	2C18	20	40-33	AH141201	6G25	22	130-53	AH142012	3I6	1	80-23
AH140785	2C18	20	40-33	AH141204	5B21	15	120-13	AH142057	2B17	16	40-7
AH140786	2C18	21	40-33	AH141216	6C13	8	125-31	AH142057	4C18	16	90-35
AH140786	2C18	22	40-33	AH141248	4H8	14	110-51	AH142096	1B17	6	20-11
AH140786	2C18	25	40-33	AH141265	2B25	26	40-15	AH142103	4E15	4	90-83
AH140786	2C18	27	40-33	AH141283	4H8	16	110-51	AH142105	4E11	22	90-79
AH140786	2C18	29	40-33	AH141302	2G5	4	50-1	AH142107	4E15	2	90-83
AH140786	2C18	31	40-33	AH141355	6C13	6	125-31	AH142108	3G14	..	70-85
AH140790	6G12	1	130-41	AH141356	6C13	9	125-31	AH142139	2G9	1	50-5
AH14080	5H8	6	121-55	AH141389	5G2	20	121-25	AH142155	2B13	1	40-3
AH140832	3D22	8	70-17	AH141390	5G10	46	121-33	AH142155	2C18	14	40-33
AH140838	4B19	12	90-11	AH141399	4G13	24	110-31	AH142158	2G9	1	50-5
AH140851	2I23	11	50-69	AH141412	4B21	16	90-13	AH142163	6D24	27	125-67
AH140852	2I23	11	50-69	AH141543	2I23	11	50-69	AH142164	3G12	16	70-83
AH140901	6H5	23	130-59	AH141544	2I23	11	50-69	AH142164	3G14	18	70-85

## NUMERICAL INDEX - CONTINUED

PART NO.	GRID	KEY	PAGE	PART NO.	GRID	KEY	PAGE	PART NO.	GRID	KEY	PAGE
AH142185	6F6	9	130-9	AH143218	3J6	17	80-47	AH143871	4F22	8	110-15
AH142188	6F6	9	130-9	AH143219	3I24	7	80-41	AH143901	2C20	17	40-35
AH142197	6F4	5	130-7	AH143239	2D2	11	40-41	AH143901	2C22	4	40-37
AH142201	6F4	5	130-7	AH143269	5E21	27	120-89	AH143901	2C24	1	40-39
AH142295	6H6	6	130-60	AH143270	5E21	19	120-89	AH143903	2D20	1B	40-59
AH142295	6H6	7	130-60	AH143281	6B13	8	125-5	AH143903	2E18	4	40-81
AH142295	6H6	11	130-60	AH143301	2B23	1	40-13	AH143904	2D20	1B	40-59
AH142327	2B17	7	40-7	AH143322	3G18	16	70-89	AH143904	5H12	5	121-59
AH142327	4C18	7	90-35	AH143322	3G20	12	70-91	AH143922	2D6	20	40-45
AH142336	2C14	24	40-29	AH143327	5E6	13	120-73	AH143923	2D6	20	40-45
AH142370	5C23	16	120-41	AH143337	5D6	13	120-49	AH143928	2D2	11	40-41
AH142394	4G17	31	110-35	AH143337	5D8	13	120-51	AH143997	2D20	1A	40-59
AH142404	4C10	2	90-27	AH143352	2I19	5	50-65	AH144018	2C4	2	40-19
AH142404	4C12	4	90-29	AH143353	2I21	16	50-67	AH144020	4E7	34	90-75
AH142404	4C12	19	90-29	AH143356	6F10	20	130-13	AH144030	3D24	2B	70-19
AH142404	4C12	20	90-29	AH143361	4G8	13	110-25	AH144030	4F22	4B	110-15
AH142404	4C12	21	90-29	AH143362	4G8	14	110-25	AH144030	4F24	4	110-17
AH142404	4C12	24	90-29	AH143405	5E11	6	120-79	AH144030	4G2	4	110-19
AH142404	4C14	4	90-31	AH143406	2J10	19	50-81	AH144032	6B13	8	125-5
AH142404	4C14	21	90-31	AH143407	2J10	19	50-81	AH144044	2C8	6	40-23
AH142407	4F18	24	110-11	AH143417	2C14	7	40-29	AH144068	6H5	4	130-59
AH142422	5B15	1	120-7	AH143422	2B13	6	40-3	AH144079	5C25	19	120-43
AH142436	5H20	39	121-67	AH143426	6B15	7	125-7	AH144084	2C4	6	40-19
AH142441	3B22	32	60-15	AH143432	5F6	14	121-5	AH144084	4E11	8	90-79
AH142441	3C4	27	60-21	AH143432	5F8	13	121-7	AH144095	3E22	18	70-41
AH142441	4E5	27	90-73	AH143435	3F2	8	70-45	AH144096	2C4	1	40-19
AH142442	2E18	10	40-81	AH143436	3D10	16	70-5	AH144096	2C6	1	40-21
AH142450	3F13	35	70-57	AH143436	3F2	20	70-45	AH144096	2C9	1	40-24
AH142450	3F24	12	70-69	AH143445	2C14	9	40-29	AH144099	4F10	31	110-3
AH142450	3G2	12	70-73	AH143455	3E22	7	70-41	AH144099	4H6	18	110-49
AH142453	4G4	7	110-21	AH143512	4H8	7	110-51	AH144101	4D21	18	90-63
AH142490	2B17	7	40-7	AH143512	4H8	8	110-51	AH144102	4D21	18	90-63
AH142490	4C18	7	90-35	AH143622	4B23	1	90-15	AH144104	5B17	2	120-9
AH142527	1B11	25	20-5	AH143682	3E12	1	70-31	AH144192	2I23	1	50-69
AH142551	5B15	2	120-7	AH143682	3G20	1	70-91	AH144192	2I25	1	50-71
AH142560	4G11	8	110-28	AH143684	1B22	7	20-16	AH144194	2I25	11	50-71
AH142595	2D14	23	40-53	AH143684	6I22	1	170-31	AH144339	2C8	8	40-23
AH142595	2D16	32	40-55	AH143684	6I24	1	170-33	AH144345	3F2	8	70-45
AH142596	2D14	23	40-53	AH143684	6J2	1	170-35	AH144381	2E18	4	40-81
AH142596	2D16	32	40-55	AH143684	6J4	1	170-37	AH144382	2E18	4	40-81
AH142597	2D14	23	40-53	AH143684	6J6	1	170-39	AH144433	2E18	10	40-81
AH142597	2D16	32	40-55	AH143684	6J8	1	170-41	AH144478	6B11	5	125-3
AH142611	2I17	4	50-63	AH143684	6J10	..	170-43	AH144480	3G18	1	70-89
AH142630	6F10	20	130-13	AH143684	6J12	27	170-45	AH144482	3G18	2	70-89
AH142731	3F17	18	70-61	AH143684	6J12	..	170-45	AH144483	3G18	11	70-89
AH142731	3F17	19	70-61	AH143684	6J13	..	170-46	AH144503	2C14	24	40-29
AH142731	3F17	21	70-61	AH143684	6J15	..	170-49	AH144523	4H8	2	110-51
AH142731	3F20	..	70-65	AH143684	6J16	..	170-50	AH144536	5B21	..	120-13
AH142731	3F22	..	70-67	AH143684	6J17	..	170-51	AH144544	5B19	26	120-11
AH142758	2I21	17	50-67	AH143711	2E18	4	40-81	AH144553	1F3	23	30-3
AH142786	5H20	36	121-67	AH143719	2E18	4	40-81	AH144609	5B17	9	120-9
AH142870	5F20	20	121-19	AH143720	2B25	26	40-15	AH144609	5B17	18	120-9
AH142870	5F22	18	121-21	AH143727	6G23	11	130-51	AH144617	5E21	8	120-89
AH142893	3B22	31	60-15	AH143731	6G23	11	130-51	AH144695	3D2	4	60-43
AH142893	3B22	..	60-15	AH143737	3B12	3	60-5	AH144711	5E21	27	120-89
AH142999	2D6	18	40-45	AH143737	3B14	1	60-7	AH144712	5E21	19	120-89
AH142999	6G14	3A	130-43	AH143737	3B16	32	60-9	AH144715	4F12	17	110-5
AH143031	4G6	1	110-23	AH143744	5B21	19	120-13	AH144719	1B22	6	20-16
AH143033	3J2	12	80-43	AH143744	5B21	..	120-13	AH144719	1F17	5	30-17
AH143033	3J6	17	80-47	AH143745	2E18	11	40-81	AH144741	2B15	6	40-5
AH143035	2I19	1	50-65	AH143746	5G16	4	121-39	AH144742	2B15	7	40-5
AH143036	1F5	15	30-5	AH143747	5G16	4	121-39	AH144778	4D11	1	90-53
AH143048	6B23	23	125-15	AH143747	5G16	5	121-39	AH144831	3D14	..	70-9
AH143068	2B17	7	40-7	AH143761	2D8	17	40-47	AH144954	2D14	23	40-53
AH143068	4C18	7	90-35	AH143762	2D10	..	40-49	AH144954	2D16	32	40-55
AH143069	4G11	2	110-28	AH143871	3D24	2A	70-19	AH144974	5E9	1	120-76
AH143218	3J2	10	80-43	AH143871	4F22	4A	110-15	AH144974	5E15	..	120-83



# 1K15

CTS COMBINE (NORTH AMERICAN VERSION)

## NUMERICAL INDEX - CONTINUED

PART NO.	GRID	KEY	PAGE	PART NO.	GRID	KEY	PAGE	PART NO.	GRID	KEY	PAGE
AH145021	2B13	1	40-3	AH145962	2B23	9	40-13	AH147086	3G2	10B	70-73
AH145021	2C18	14	40-33	AH145964	2E18	10	40-81	AH147086	3G2	10C	70-73
AH145023	2C20	17	40-35	AH145980	3C15	10	60-32	AH147092	3J4	1B	80-45
AH145023	2C22	4	40-37	AH146032	4D11	4	90-53	AH147097	3F11	25	70-54
AH145023	2C24	1	40-39	AH146041	3J8	7	80-49	AH147097	3F24	13	70-69
AH145024	2D2	11	40-41	AH146041	3J8	11	80-49	AH147097	3G2	13	70-73
AH145026	2B23	1	40-13	AH146043	3G14	..	70-85	AH147153	4D4	1	90-45
AH145029	4H10	12	110-53	AH146043	3G16	9	70-87	AH147480	3H20	5	80-13
AH145029	6H18	3	170-2	AH146043	3G16	..	70-87	AH147537	4C24	2	90-41
AH145030	3G14	18	70-85	AH146116	5B19	..	120-11	AH147544	2G6	1	50-2
AH145030	3G16	13	70-87	AH146197	4F24	1	110-17	AH147545	2G5	4	50-1
AH145030	3G16	14	70-87	AH146197	4G2	1	110-19	AH147545	2G6	9	50-2
AH145030	3G16	15	70-87	AH146198	4F24	2	110-17	AH147555	2B17	7	40-7
AH145030	3G16	16	70-87	AH146198	4G2	2	110-19	AH147555	4C18	7	90-35
AH145030	3G16	17	70-87	AH146207	2B23	9	40-13	AH147584	5D12	6	120-55
AH145030	3G16	20	70-87	AH146208	2B15	3	40-5	AH147588	5C14	5	120-31
AH145031	2E6	10	40-69	AH146208	2B15	24	40-5	AH147650	5C14	12	120-31
AH145031	2E8	10	40-71	AH146214	6F15	15	130-18	AH147651	5C14	11	120-31
AH145049	6G17	6	130-47	AH146216	6F11	6	130-14	AH147652	5C14	10	120-31
AH145049	6G19	10	130-49	AH146216	6F12	6	130-15	AH147653	5C14	9	120-31
AH145050	6G19	10	130-49	AH146218	6F11	2	130-14	AH147654	5C14	8	120-31
AH145051	6G10	1	130-39	AH146218	6F12	2	130-15	AH147698	6C9	16	125-27
AH145060	2G13	2B	50-9	AH146221	6F11	1	130-14	AH147935	3B24	9	60-17
AH145061	2G13	1	50-9	AH146221	6F11	3	130-14	AH147952	5E15	13	120-83
AH145065	4D2	7	90-43	AH146221	6F12	1	130-15	AH147953	5E15	13	120-83
AH145157	4C8	8	90-25	AH146221	6F12	3	130-15	AH148028	2D22	20	40-61
AH145203	4H8	6	110-51	AH146222	6F11	1	130-14	AH148106	1B18	4	20-12
AH145205	4H8	13	110-51	AH146222	6F12	1	130-15	AH148124	3E22	18	70-41
AH145232	1B22	1	20-16	AH146234	4D13	1	90-55	AH148142	5E8	13	120-75
AH145232	3H2	1	70-97	AH146309	2D24	6	40-63	AH148171	4C2	2	90-19
AH145233	3H16	15	80-9	AH146322	6D20	8	125-63	AH148182	4C2	1	90-19
AH145235	2J4	4	50-75	AH146352	6G6	21	130-35	AH148183	4C2	3	90-19
AH145237	2J4	5	50-75	AH146359	6H2	19	130-55	AH148192	2B17	16	40-7
AH145239	3G24	6	70-95	AH146359	6H20	2	170-4	AH148192	4C18	16	90-35
AH145241	3G24	7	70-95	AH146360	5E19	3	120-87	AH148210	2D22	14	40-61
AH145256	2D19	1	40-58	AH146361	3I22	4B	80-39	AH148225	4D5	1	90-46
AH145277	2F7	4	40-95	AH146364	5E17	14	120-85	AH148226	4D5	3	90-46
AH145281	4G8	22	110-25	AH146394	5F12	10	121-11	AH148227	4D5	2	90-46
AH145282	4G8	16	110-25	AH146461	5H8	28	121-55	AH148258	2D12	2	40-51
AH145314	4F12	..	110-5	AH146462	5H8	31	121-55	AH148258	2D14	5	40-53
AH145563	2F9	1	40-97	AH146463	5H8	4	121-55	AH148259	2D14	22	40-53
AH145565	2B17	16	40-7	AH146492	3B10	2	60-3	AH148278	2D16	12	40-55
AH145565	4C18	16	90-35	AH146506	5H8	4	121-55	AH148285	1B17	6	20-11
AH145568	6F15	9	130-18	AH146509	6F15	9	130-18	AH148288	1F13	9	30-13
AH145580	4F24	2	110-17	AH146621	1F3	23	30-3	AH148289	1F15	2	30-15
AH145614	2G11	1	50-7	AH146634	1B13	5	20-7	AH148354	2B17	12	40-7
AH145616	4E1	2	90-68	AH146655	5C21	3	120-39	AH148354	4C18	12	90-35
AH145622	2G5	4	50-1	AH146742	4D3	1	90-44	AH148374	5D8	13	120-51
AH145622	2G6	9	50-2	AH146747	4B13	9	90-5	AH148385	5F12	11	121-11
AH145623	2G6	1	50-2	AH146748	4B13	9	90-5	AH148406	2D14	23	40-53
AH145631	4F24	1	110-17	AH146783	3I18	4	80-35	AH148406	2D16	32	40-55
AH145673	4C24	2	90-41	AH146824	5D10	4	120-53	AH148472	3F11	..	70-54
AH145674	2B15	23	40-5	AH147030	4D3	3	90-44	AH148509	5D8	13	120-51
AH145678	4C4	19	90-21	AH147061	3I16	1	80-33	AH148511	5D6	13	120-49
AH145678	4C6	15	90-23	AH147066	4C24	7	90-41	AH148526	5E15	2	120-83
AH145688	2B15	4	40-5	AH147084	3F13	35	70-57	AH148564	3J6	8	80-47
AH145699	2E18	4	40-81	AH147084	3F24	12	70-69	AH148578	6C2	25	125-19
AH145700	2E18	4	40-81	AH147084	3G2	12	70-73	AH148595	4D21	18	90-63
AH145701	2E18	11	40-81	AH147085	3F11	24	70-54	AH148596	4D21	18	90-63
AH145703	3J8	11	80-49	AH147086	3F16	24	70-60	AH148616	2C4	2	40-19
AH145762	4G10	1	110-27	AH147086	3F17	22	70-61	AH148616	2C6	2	40-21
AH145763	4G10	2	110-27	AH147086	3F18	24	70-62	AH148649	1F17	4	30-17
AH145769	2D8	2	40-47	AH147086	3F20	13	70-65	AH148681	1F13	1	30-13
AH145769	2D8	4	40-47	AH147086	3F20	22	70-65	AH148681	1F13	3	30-13
AH145769	2D8	10	40-47	AH147086	3F22	22	70-67	AH148681	1F13	7	30-13
AH145769	2D8	14	40-47	AH147086	3F24	10	70-69	AH148893	5G22	14	121-45
AH145947	2B25	7	40-15	AH147086	3G2	10A	70-73	AH148912	2D2	11	40-41

## NUMERICAL INDEX - CONTINUED

PART NO.	GRID	KEY	PAGE	PART NO.	GRID	KEY	PAGE	PART NO.	GRID	KEY	PAGE
AH148959	4C24	2	90-41	AH151771	2C20	17	40-35	AH155577	2B17	18	40-7
AH148990	1F13	7	30-13	AH151771	2C22	4	40-37	AH155577	4C18	18	90-35
AH149088	4F24	2	110-17	AH151771	2C24	1	40-39	AH155650	4H2	1	110-45
AH149088	4G2	2	110-19	AH151772	2D2	1	40-41	AH155657	4H14	1	110-57
AH149180	6E7	30	125-75	AH151772	2D4	1	40-43	AH155659	4H10	13	110-53
AH149182	6F2	5	130-5	AH151774	2B13	1	40-3	AH155669	3J10	23	80-51
AH149183	6F10	6	130-13	AH151774	2C18	14	40-33	AH155703	4H14	6	110-57
AH149184	6F10	6	130-13	AH151775	2D6	20	40-45	AH155706	4H14	3	110-57
AH149200	6F4	5	130-7	AH151880	6F23	4	130-27	AH155707	4H12	16	110-55
AH149201	6F4	5	130-7	AH152020	2F7	4	40-95	AH155707	4H14	3	110-57
AH149229	1B17	5	20-11	AH152323	3H18	14	80-11	AH155715	4H12	7	110-55
AH149229	1B22	5	20-16	AH152451	2D6	2	40-45	AH155736	4F22	1	110-15
AH149236	5H20	36	121-67	AH152457	2D16	12	40-55	AH155737	4F22	1	110-15
AH149242	6F6	18B	130-9	AH152619	2E18	4	40-81	AH155739	4H10	9	110-53
AH149320	6F4	10	130-7	AH152654	6H6	6	130-60	AH155820	2D16	37	40-55
AH149328	5C25	19	120-43	AH152654	6H6	7	130-60	AH155821	2D16	37	40-55
AH149349	2F11	9	40-99	AH152654	6H6	11	130-60	AH155833	4H14	26	110-57
AH149349	4F10	30	110-3	AH152668	2F13	2	40-101	AH155928	2B17	19	40-7
AH149349	4F12	..	110-5	AH152937	4F10	30	110-3	AH155928	4C18	19	90-35
AH149349	4H6	19	110-49	AH152937	4H6	19	110-49	AH156049	4F12	..	110-5
AH149349	4H6	25	110-49	AH153040	5H8	4	121-55	AH156051	5C6	1	120-23
AH149356	5H8	38	121-55	AH153133	2F13	4	40-101	AH156051	5H16	7	121-63
AH149357	5H8	7	121-55	AH153207	2D16	32	40-55	AH156051	6E5	14	125-73
AH149448	2G25	1	50-21	AH153311	2F13	3	40-101	AH156051	6F6	11	130-9
AH149449	2G25	1	50-21	AH153332	2B25	26	40-15	AH156066	4F22	3	110-15
AH149545	5D6	13	120-49	AH153341	2F11	9	40-99	AH156066	4G2	3	110-19
AH149547	5D8	13	120-51	AH153341	4F12	..	110-5	AH156126	3J6	8	80-47
AH149549	5D6	13	120-49	AH153341	4H6	25	110-49	AH156177	6D24	25	125-67
AH149551	5D16	11	120-59	AH153626	2B11	3	40-1	AH156191	3I14	2	80-31
AH149553	5D18	14	120-61	AH153676	3I6	1	80-23	AH156332	4D9	..	90-51
AH149588	1B22	1	20-16	AH153688	5B21	19	120-13	AH156333	3E15	19	70-34
AH149588	3H2	1	70-97	AH153688	5B21	..	120-13	AH156333	3E15	20	70-34
AH149618	1B22	4	20-16	AH153743	6F6	9	130-9	AH156333	3E15	21	70-34
AH149618	3H2	4	70-97	AH153744	6F6	9	130-9	AH156333	3E15	22	70-34
AH149618	4E15	6	90-83	AH153796	4B25	1	90-17	AH156333	6H13	19	160-3
AH149677	6B23	13	125-15	AH153808	5D10	4	120-53	AH156333	6H13	20	160-3
AH149701	5E2	1	120-69	AH153815	2E16	2	40-79	AH156333	6H13	21	160-3
AH149833	2C12	30	40-27	AH153819	4F22	2	110-15	AH156333	6H13	22	160-3
AH149834	2C12	3	40-27	AH153910	2B11	6	40-1	AH156374	4F24	2	110-17
AH149835	2C12	1	40-27	AH153911	4B17	1	90-9	AH156374	4G2	2	110-19
AH149860	3H20	5	80-13	AH154083	3I6	20	80-23	AH156375	4F24	1	110-17
AH149879	5D2	16	120-45	AH154086	3I6	20	80-23	AH156375	4G2	1	110-19
AH149882	4B17	8	90-9	AH154151	2B11	7	40-1	AH156377	4F22	1	110-15
AH149883	4B17	2B	90-9	AH154237	3H16	1	80-9	AH156388	3D15	8	70-10
AH149994	5D10	4	120-53	AH154277	2B15	4	40-5	AH156406	4F22	2	110-15
AH150167	5D18	1	120-61	AH154278	2C12	5	40-27	AH156413	6G14	5	130-43
AH150219	4E13	6	90-81	AH154278	2C14	11	40-29	AH156594	6F4	5	130-7
AH150219	4E15	6	90-83	AH154280	4B21	8	90-13	AH156595	6F4	5	130-7
AH150473	2D8	7	40-47	AH154573	2B15	3	40-5	AH156626	2G5	4	50-1
AH150611	3C2	18	60-19	AH154573	2B15	24	40-5	AH156727	4D9	..	90-51
AH151119	5B21	15	120-13	AH154697	5G16	4	121-39	AH156808	6F4	5	130-7
AH151123	4B17	11	90-9	AH154737	4H8	16	110-51	AH156809	6F4	5	130-7
AH151302	4F22	1	110-15	AH154740	4H8	11	110-51	AH156975	4H12	3	110-55
AH151400	3F13	..	70-57	AH154742	4H8	10	110-51	AH157031	4C2	2	90-19
AH151403	6G23	11	130-51	AH154920	6F23	27	130-27	AH157168	4H14	16	110-57
AH151407	6G21	10	130-49B	AH154965	6H2	5	130-55	AH157306	3D24	2B	70-19
AH151408	6G21	25	130-49B	AH154966	6H2	6	130-55	AH157306	4G2	4	110-19
AH151409	6G21	25	130-49B	AH155077	4H8	16	110-51	AH157325	4C18	16	90-35
AH151410	6G21	25	130-49B	AH155264	3D24	7	70-19	AH157415	4H14	18	110-57
AH151411	6G21	10	130-49B	AH155275	4H16	1	110-59	AH157491	4D11	3	90-53
AH151413	6G23	3	130-51	AH155348	4H12	13	110-55	AH157492	3D24	2B	70-19
AH151414	6G23	3	130-51	AH155480	2D6	18	40-45	AH157492	4G2	4	110-19
AH151537	6B17	9	125-9	AH155480	6G14	3B	130-43	AH157557	4D17	3	90-59
AH151539	6B19	13	125-11	AH155483	2D16	38	40-55	AH157634	4D17	1	90-59
AH151598	4F24	1	110-17	AH155494	5B21	12	120-13	AH157725	6F25	24	130-29
AH151598	4G2	1	110-19	AH155522	2D16	32	40-55	AH157725	6G2	1	130-31
AH151653	5F16	1	121-15	AH155523	2D16	12	40-55	AH157934	4G25	6	110-43

## NUMERICAL INDEX - CONTINUED

PART NO.	GRID	KEY	PAGE	PART NO.	GRID	KEY	PAGE	PART NO.	GRID	KEY	PAGE
AH157942	4H2	6	110 - 45	AH161485	3B16	31	60 - 9	AH168948	6B13	8	125 - 5
AH157973	3E16	6	70 - 35	AH161504	5E9	1	120 - 76	AH169233	6D24	25	125 - 67
AH158104	6F25	24	130 - 29	AH161504	5E15	..	120 - 83	AH20849	1F13	17	30 - 13
AH158104	6G2	1	130 - 31	AH161505	5E9	1	120 - 76	AH20868	2G19	19	50 - 15
AH158113	6F23	4	130 - 27	AH161505	5E15	..	120 - 83	AH21815	6F17	19	130 - 21
AH158310	2E4	4	40 - 67	AH161511	5E21	27	120 - 89	AH64349	4F2	1	90 - 95
AH158514	2E4	5	40 - 67	AH161512	5E21	19	120 - 89	AH64610	2G5	4	50 - 1
AH158598	3I14	2	80 - 31	AH161818	5B19	..	120 - 11	AH75167	3D15	2	70 - 10
AH158604	2E10	10	40 - 73	AH161838	2C10	4	40 - 25	AH75167	3D16	1	70 - 11
AH158660	2G11	1	50 - 7	AH161839	2C10	3	40 - 25	AH75167	3D18	7	70 - 13
AH158689	2D16	12	40 - 55	AH161929	4C24	2	90 - 41	AH75167	3E2	16	70 - 21
AH158880	6H5	45	130 - 59	AH162068	5G8	4	121 - 31	AH75167	6D14	11	125 - 57
AH158880	6H21	4	170 - 5	AH162145	3G4	..	70 - 75	AH75167	6D16	15	125 - 59
AH158957	4C2	2	90 - 19	AH162231	2B18	2	40 - 8	AH76882	6D6	9	125 - 49
AH159053	4H2	19	110 - 45	AH162371	3H22	2	80 - 15	AH77279	2F11	3	40 - 99
AH159053	4H14	14	110 - 57	AH162400	6G10	1	130 - 39	AH77279	5G8	11	121 - 31
AH159054	4H2	19	110 - 45	AH162441	6F4	10	130 - 7	AH77714	6H8	8	130 - 63
AH159054	4H14	14	110 - 57	AH162573	3C24	19	60 - 41	AH77724	2D6	16	40 - 45
AH159079	4B11	10	90 - 3	AH162581	2D22	14	40 - 61	AH77724	2G17	22	50 - 13
AH159105	2E10	12	40 - 73	AH162661	4C18	16	90 - 35	AH77724	4C20	22	90 - 37
AH159187	4C2	8	90 - 19	AH162723	1B22	9	20 - 16	AH77724	4E11	15	90 - 79
AH159188	4C2	8	90 - 19	AH162723	1F11	9	30 - 11	AH77869	3D16	7	70 - 11
AH159207	4C18	16	90 - 35	AH162724	4G8	16	110 - 25	AH77869	3E12	12	70 - 31
AH159233	4F12	34	110 - 5	AH162821	5B19	26	120 - 11	AH77869	4E11	9	90 - 79
AH159352	2B17	12	40 - 7	AH162827	5B19	26	120 - 11	AH77884	2J10	17	50 - 81
AH159703	4G15	1	110 - 33	AH162833	5B19	26	120 - 11	AH77884	6E24	31	130 - 3
AH159962	2D22	20	40 - 61	AH162914	1F3	25	30 - 3	AH78124	3D16	8	70 - 11
AH159984	2B17	7	40 - 7	AH163373	1F11	11	30 - 11	AH78125	3D15	3	70 - 10
AH159984	4C18	7	90 - 35	AH163526	2B17	7	40 - 7	AH78125	4E11	15	90 - 79
AH160053	4F22	1	110 - 15	AH163526	4C18	7	90 - 35	AH78237	3E2	6	70 - 21
AH160054	4F22	1	110 - 15	AH163646	3I6	1	80 - 23	AH80335	4B13	7	90 - 5
AH160054	4G2	1	110 - 19	AH163708	4D21	8	90 - 63	AH80335	4C15	6	90 - 32
AH160086	3H16	1	80 - 9	AH163762	5D2	5	120 - 45	AH80335	5D20	17	120 - 63
AH160115	4C12	1	90 - 29	AH163762	5D2	7	120 - 45	AH80335	6F23	11	130 - 27
AH160136	3B12	3	60 - 5	AH163920	5B19	..	120 - 11	AH80384	5G16	4	121 - 39
AH160136	3B14	1	60 - 7	AH163921	5B19	..	120 - 11	AH80916	2G15	10	50 - 11
AH160136	3B16	32	60 - 9	AH163979	2D6	18	40 - 45	AH81167	3D12	..	70 - 7
AH160426	6B19	13	125 - 11	AH163979	6G14	3A	130 - 43	AH84695	2I8	5	50 - 54
AH160473	4C2	2	90 - 19	AH163979	6G14	7	130 - 43	AH84695	2I9	5	50 - 55
AH160474	4C2	2	90 - 19	AH164365	3H20	5	80 - 13	AH85276	6E5	8	125 - 73
AH160475	4C2	2	90 - 19	AH164497	2F8	12	40 - 96	AH86866	3C22	8	60 - 39
AH160606	6B19	11	125 - 11	AH164499	2D6	2	40 - 45	AH86897	6D25	10	125 - 68
AH160606	6B19	12	125 - 11	AH164609	6G15	11	130 - 44	AH86897	6D25	12	125 - 68
AH160622	6F23	27	130 - 27	AH164868	6F17	20	130 - 21	AH87141	5G10	30	121 - 33
AH160745	2H12	28	50 - 33	AH164868	6F17	24	130 - 21	AH87272	3H16	18	80 - 9
AH160745	2H13	28	50 - 34	AH165773	6B13	8	125 - 5	AH87765	6D25	10	125 - 68
AH160785	2H6	2	50 - 27	AH165936	6B23	10	125 - 15	AH87790	3E16	5	70 - 35
AH160785	2H6	8	50 - 27	AH165937	6B23	1	125 - 15	AH87806	2B21	3	40 - 11
AH160785	2H6	..	50 - 27	AH165990	4C4	19	90 - 21	AH89486	1F15	10	30 - 15
AH160785	2H8	3	50 - 29	AH165990	4C6	15	90 - 23	AH89486	2C2	4	40 - 17
AH160785	2H8	10	50 - 29	AH166713	3I24	1	80 - 41	AH89486	2C4	12	40 - 19
AH160785	2H8	..	50 - 29	AH166713	6F25	42	130 - 29	AH89486	2C6	11	40 - 21
AH160785	2H10	4	50 - 31	AH166714	3J2	1	80 - 43	AH89486	2C22	18	40 - 37
AH160785	2H10	8	50 - 31	AH166714	6F25	23	130 - 29	AH89486	2C24	9	40 - 39
AH160785	2H10	12	50 - 31	AH166953	3F8	12	70 - 51	AH89486	2D6	16	40 - 45
AH160785	2H10	15	50 - 31	AH167146	5E19	1	120 - 87	AH89486	2D14	3	40 - 53
AH160785	2H10	19	50 - 31	AH167433	6G6	31	130 - 35	AH89486	2D14	15	40 - 53
AH160785	2H10	..	50 - 31	AH167434	3D2	4	60 - 43	AH89486	2D16	11	40 - 55
AH160785	2J14	3	50 - 85	AH167553	3G18	..	70 - 89	AH89486	2D19	2	40 - 58
AH160785	2J14	6	50 - 85	AH167584	3D2	4	60 - 43	AH89486	2E16	8	40 - 79
AH160994	6E9	15	125 - 77	AH167847	6H2	5	130 - 55	AH89486	3C2	11	60 - 19
AH160994	6E11	17	125 - 79	AH167848	6H2	6	130 - 55	AH89486	3E6	26	70 - 25
AH161335	2B17	7	40 - 7	AH168093	6F25	..	130 - 29	AH89486	3G10	8	70 - 81
AH161400	5B19	17	120 - 11	AH168300	6G6	37	130 - 35	AH89486	3H16	24	80 - 9
AH161405	5B19	17	120 - 11	AH168683	5F24	18	121 - 23	AH89486	4E3	11	90 - 71
AH161463	1F15	1	30 - 15	AH168934	3H14	19A	80 - 7	AH89486	4E7	3A	90 - 75
AH161463	1F15	2	30 - 15	AH168934	3H14	19B	80 - 7	AH89486	4E11	11	90 - 79

## NUMERICAL INDEX - CONTINUED

PART NO.	GRID	KEY	PAGE	PART NO.	GRID	KEY	PAGE	PART NO.	GRID	KEY	PAGE
AH89486	5F22	10	121 - 21	AH96317	2C6	11	40 - 21	AN191560	1F17	4	30 - 17
AH89496	4F22	31	110 - 15	AH96317	2C20	18	40 - 35	AN192773	4D2	7	90 - 43
AH89557	1F7	4	30 - 7	AH96317	2C22	18	40 - 37	AN193084	2H16	25	50 - 37
AH89557	1F19	7	30 - 19	AH96317	2C24	9	40 - 39	AN193085	2H6	23	50 - 27
AH89557	2B13	4	40 - 3	AH96317	2D6	16	40 - 45	AN193085	2H6	27	50 - 27
AH89557	2C2	2	40 - 17	AH96317	2D14	3	40 - 53	AN193085	2H6	28	50 - 27
AH89557	2C4	5	40 - 19	AH96317	2D14	15	40 - 53	AN193085	2H18	39	50 - 39
AH89557	2C6	4	40 - 21	AH96317	2D19	2	40 - 58	AN193085	2H18	41	50 - 39
AH89557	2C20	6	40 - 35	AH96317	2E16	8	40 - 79	AN193085	2H18	44	50 - 39
AH89557	2C22	12	40 - 37	AH96317	3C2	11	60 - 19	AN272356	2H14	9	50 - 35
AH89557	2C24	6	40 - 39	AH96317	3E6	26	70 - 25	AN273814	1B17	5	20 - 11
AH89557	2D2	2	40 - 41	AH96317	3G10	8	70 - 81	AN31004	4F12	37	110 - 5
AH89557	2D4	12	40 - 43	AH96317	3H16	24	80 - 9	AN50684	5C8	16	120 - 25
AH89557	2D6	15	40 - 45	AH96317	4E3	11	90 - 71	AR100124	1D4	1	26 - 27
AH89557	2D8	15	40 - 47	AH96317	4E7	3A	90 - 75	AR104516	2C18	11	40 - 33
AH89557	2D10	12	40 - 49	AH96317	4E11	11	90 - 79	AR104650	1E2	22	26 - 55
AH89557	2D14	4	40 - 53	AH96317	5F22	10	121 - 21	AR104650	1E2	31	26 - 55
AH89557	2D14	15	40 - 53	AH96317	6E17	2	125 - 85	AR150551	3B24	17	60 - 17
AH89557	2D22	6	40 - 61	AH96317	6E19	2	125 - 87	AR21837	4F2	3	90 - 95
AH89557	2D22	18	40 - 61	AH96345	4F10	21	110 - 3	AR21839	1B21	2	20 - 15
AH89557	2D23	2	40 - 62	AH96585	6G6	5	130 - 35	AR21839	1D21	7	26 - 49
AH89557	2E24	13	40 - 87	AH97031	5G10	7	121 - 33	AR21839	1F3	5	30 - 3
AH89557	2E25	13	40 - 88	AH97031	5H2	10	121 - 49	AR21839	1F7	5	30 - 7
AH89557	2F1	2	40 - 89	AH97031	5H20	31	121 - 67	AR21839	5C21	26	120 - 39
AH89557	2F7	6	40 - 95	AH97280	1F11	3	30 - 11	AR21840	1F15	6	30 - 15
AH89557	2F11	6	40 - 99	AH97280	3C12	11	60 - 29	AR21842	4E11	20	90 - 79
AH89557	3B20	4	60 - 13	AH97280	3E12	2	70 - 31	AR21969	1C6	..	26 - 2
AH89557	3H16	23	80 - 9	AH97340	4F20	2	110 - 13	AR21999	1F17	1	30 - 17
AH89557	3I6	2	80 - 23	AH97642	4F10	30	110 - 3	AR21999	4E7	27	90 - 75
AH89557	3I12	3	80 - 29	AH97642	4H6	19	110 - 49	AR21999	4F2	27	90 - 95
AH89557	4B11	14	90 - 3	AH97920	3C4	34	60 - 21	AR28403	2B21	11	40 - 11
AH89557	4G15	20	110 - 33	AH97920	4E5	34	90 - 73	AR31790	1D4	..	26 - 27
AH89557	5C6	2	120 - 23	AH98118	6G15	1	130 - 44	AR40418	1D13	20	26 - 39
AH89557	6H15	2	160 - 5	AH98176	6E3	7	125 - 71	AR41785	1C6	..	26 - 2
AH89557	6H15	4	160 - 5	AH98901	2D22	14	40 - 61	AR42591	2D22	12	40 - 61
AH89557	6H15	7	160 - 5	AL14674	5C25	22	120 - 43	AR44402	1C6	1	26 - 2
AH90963	6G6	3	130 - 35	AL14674	5H4	50	121 - 51	AR48236	1F7	1	30 - 7
AH90990	2C24	5	40 - 39	AL2976T	2F21	20	40 - 109	AR48236	1F19	2	30 - 19
AH90990	2D4	8	40 - 43	AL58739	2E24	1	40 - 87	AR48675	1D16	14	26 - 43
AH90990	2D14	18	40 - 53	AL67206	2E22	12	40 - 85	AR48751	1B19	4	20 - 13
AH90990	2E6	6	40 - 69	AL67208	2E22	12	40 - 85	AR49025	1C16	1	26 - 13
AH90990	2E8	6	40 - 71	AM105171	2D16	28A	40 - 55	AR49025	1C23	1	26 - 20
AH90990	2E10	6	40 - 73	AM108845	2C6	18	40 - 21	AR49352	2F7	9	40 - 95
AH90990	2E16	16	40 - 79	AM53945	2D16	28B	40 - 55	AR50411	1D17	1	26 - 44
AH90990	2J4	15	50 - 75	AN102010	5E13	13	120 - 81	AR51481	3C2	1	60 - 19
AH90990	4F2	26	90 - 95	AN102382	4F16	3	110 - 9	AR51481	4E3	1	90 - 71
AH90990	5C12	24	120 - 29	AN102383	4F16	1	110 - 9	AR54749	1C6	4	26 - 2
AH90990	5F22	10	121 - 21	AN102383	4G11	6	110 - 28	AR56671	2E16	13	40 - 79
AH90990	5F24	21	121 - 23	AN113330	4F12	29	110 - 5	AR56766	2B25	32	40 - 15
AH93110	4F12	35	110 - 5	AN122493	2H10	28	50 - 31	AR60499	5G2	21	121 - 25
AH93171	5C6	19	120 - 23	AN122494	2H16	11	50 - 37	AR60499	5G10	47	121 - 33
AH93318	5C12	1	120 - 29	AN122497	2H14	11	50 - 35	AR60937	2B25	34	40 - 15
AH93318	5F10	26	121 - 9	AN122498	2H12	5	50 - 33	AR61533	1C8	25	26 - 5
AH93892	3C24	9	60 - 41	AN122498	2H13	5	50 - 34	AR61589	1C8	23	26 - 5
AH94450	4F18	11	110 - 11	AN122499	2H16	12	50 - 37	AR62399	1B15	7	20 - 9
AH94450	4F20	11	110 - 13	AN122502	2H10	22	50 - 31	AR62399	1D17	5	26 - 44
AH94450	5H4	14	121 - 51	AN122506	2H10	13	50 - 31	AR62407	2B19	1	40 - 9
AH94450	5H16	10	121 - 63	AN122507	2H10	34	50 - 31	AR62492	1D17	8	26 - 44
AH94450	6F19	5	130 - 23	AN122507	2H18	19	50 - 39	AR63218	1C5	1	26 - 1
AH94661	6G15	3	130 - 44	AN122509	2H10	35	50 - 31	AR63219	1C5	1	26 - 1
AH94853	5G10	21	121 - 33	AN122509	2H18	18	50 - 39	AR63222	1C5	1	26 - 1
AH96091	4G25	23	110 - 43	AN122518	2H10	32	50 - 31	AR63979	1C5	1	26 - 1
AH96244	5G8	19	121 - 31	AN122518	3F13	21	70 - 57	AR65005	2F22	1	40 - 110
AH96292	1B13	14	20 - 7	AN142665	4H12	6	110 - 55	AR65006	2F22	2	40 - 110
AH96317	1F15	10	30 - 15	AN15237	5H20	14	121 - 67	AR65293	1F13	24	30 - 13
AH96317	2C2	4	40 - 17	AN15237	6F19	8	130 - 23	AR65293	1F15	6	30 - 15
AH96317	2C4	12	40 - 19	AN152995	3J8	7	80 - 49	AR70106	1F13	16	30 - 13

# 1K19

CTS COMBINE (NORTH AMERICAN VERSION)

## NUMERICAL INDEX - CONTINUED

PART NO.	GRID	KEY	PAGE	PART NO.	GRID	KEY	PAGE	PART NO.	GRID	KEY	PAGE
AR70106	1F13	19	30 - 13	AT131716	1F13	8	30 - 13	AZ10045	5C8	8	120 - 25
AR70107	1F13	19	30 - 13	AT135485	2B21	13	40 - 11	AZ10045	6D20	3	125 - 63
AR71107	4D2	1	90 - 43	AT135485	2B21	17	40 - 11	AZ10045	6E7	13	125 - 75
AR71107	4D2	..	90 - 43	AT13740	1C8	1	26 - 5	AZ10045	6E24	9	130 - 3
AR71108	4D2	18	90 - 43	AT13740	1D13	13	26 - 39	AZ10045	6F8	2	130 - 11
AR71109	4D2	19	90 - 43	AT13740	1D16	5	26 - 43	AZ19427	4H14	15	110 - 57
AR73144	2E6	16	40 - 69	AT13740	1F3	14	30 - 3	AZ19455	3E2	9	70 - 21
AR73144	2E8	16	40 - 71	AT13740	1F7	23	30 - 7	AZ19456	3E2	8	70 - 21
AR73144	2E10	16	40 - 73	AT13740	1F11	8	30 - 11	AZ20216	5H18	15	121 - 65
AR73234	1F13	15	30 - 13	AT13740	1F17	6	30 - 17	AZ23847	2E20	1	40 - 83
AR73277	1C18	7	26 - 15	AT141987	2C14	9	40 - 29	AZ31008	4C10	2	90 - 27
AR73278	1C18	7	26 - 15	AT146272	5G4	5	121 - 27	AZ31008	4C12	4	90 - 29
AR73279	1C16	1	26 - 13	AT162597	1F19	9	30 - 19	AZ31008	4C14	4	90 - 31
AR73279	1C18	7	26 - 15	AT164848	4E11	17	90 - 79	AZ32393	4F6	5	90 - 99
AR73280	1C18	7	26 - 15	AT18904	1F3	5	30 - 3	AZ32732	4F6	10	90 - 99
AR73281	1C18	7	26 - 15	AT18904	1F7	5	30 - 7	AZ35028	2F1	7	40 - 89
AR74814	1C20	3	26 - 17	AT18904	2F8	5	40 - 96	AZ39154	4F6	8	90 - 99
AR74815	1C20	3	26 - 17	AT207952	2D24	13	40 - 63	AZ42315	4C12	4	90 - 29
AR74816	1C16	1	26 - 13	AT22070	4C8	1	90 - 25	AZ44705	2E20	1	40 - 83
AR74816	1C20	3	26 - 17	AT22073	4C8	3	90 - 25	AZ47075	3F16	24	70 - 60
AR74817	1C20	3	26 - 17	AT25226	2G5	5	50 - 1	AZ47075	3F17	13	70 - 61
AR74818	1C20	3	26 - 17	AT25226	3C22	7	60 - 39	AZ47075	3F17	22	70 - 61
AR75693	3B24	17	60 - 17	AT25226	3D2	9	60 - 43	AZ47075	3F18	24	70 - 62
AR77747	1C20	1	26 - 17	AT28975	5F14	16	121 - 13	AZ47075	3F20	13	70 - 65
AR77748	1C20	2	26 - 17	AT36212	2G6	10	50 - 2	AZ47075	3F20	22	70 - 65
AR77749	1C20	2	26 - 17	AT37368	2D16	9	40 - 55	AZ47075	3F22	22	70 - 67
AR77750	1C16	1	26 - 13	AT37476	1B17	13	20 - 11	AZ47075	3F24	10	70 - 69
AR77750	1C20	2	26 - 17	AT39043	2C20	1	40 - 35	AZ47075	3G2	10A	70 - 73
AR77751	1C20	2	26 - 17	AT39141	1B17	1	20 - 11	AZ47075	3G2	10B	70 - 73
AR77752	1C20	2	26 - 17	AT39623	1F9	2	30 - 9	AZ47075	3G2	10C	70 - 73
AR77753	1C16	1	26 - 13	AT39623	2D16	20	40 - 55	AZ47798	4H8	16	110 - 51
AR77753	1C20	1	26 - 17	AT40603	2G23	1	50 - 19	AZ49140	4C10	2	90 - 27
AR79548	2C16	1	40 - 31	AT43600	2E22	12	40 - 85	AZ49140	4C12	4	90 - 29
AR79549	2C16	17	40 - 31	AT43601	2E22	12	40 - 85	AZ49144	3E16	2	70 - 35
AR79550	2C16	11	40 - 31	AT43601	2E22	..	40 - 85	AZ51851	3F13	..	70 - 57
AR85519	1E2	20	26 - 55	AT48334	5F20	20	121 - 19	AZ51851	3F15	..	70 - 59
AR85519	1E2	33	26 - 55	AT48334	5F22	18	121 - 21	AZ51851	3F16	..	70 - 60
AR86539	2H24	3	50 - 45	AT53439	1F13	2	30 - 13	AZ51851	3F17	..	70 - 61
AR86539	2I5	3	50 - 51	AT57288	1F9	11	30 - 9	AZ51851	3F18	..	70 - 62
AR86603	1F15	1	30 - 15	AT63272	2H8	4	50 - 29	AZ51851	3F20	..	70 - 65
AR86745	1E12	11	26 - 65	AT63272	2H8	5	50 - 29	AZ51851	3F22	..	70 - 67
AR88903	1E4	19	26 - 57	AT63272	2H8	9	50 - 29	AZ52625	4F6	11	90 - 99
AR88903	1E6	19	26 - 59	AT66481	2C14	7	40 - 29	A15146	4F22	8	110 - 15
AR91168	2F4	1	40 - 92	AT66481	2C14	10	40 - 29	A15147	3I20	22	80 - 37
AR91793	2F19	42	40 - 107	AT66865	1C6	4	26 - 2	A15147	4G6	6	110 - 23
AR93173	1D4	4	26 - 27	AT73296	1B15	1	20 - 9	A15147	6G2	6	130 - 31
AR93341	1C18	6	26 - 15	AT74407	1F15	1	30 - 15	A15898	3E2	18	70 - 21
AR94522	3D18	6	70 - 13	AT74407	1F15	2	30 - 15	A15898	3E4	36	70 - 23
AR94522	3E2	15	70 - 21	AT75941	3B22	..	60 - 15	A15898	6D14	12	125 - 57
AR94522	3E4	32	70 - 23	AT81268	1F5	13	30 - 5	A22724	6G25	9	130 - 53
AR94522	6D14	13	125 - 57	AT81476	1F5	12	30 - 5	A24915	1B21	5	20 - 15
AR94522	6D16	16	125 - 59	AT81477	1F5	10	30 - 5	A25695	4F20	16	110 - 13
AR94761	2G19	6	50 - 15	AT81478	1F5	11	30 - 5	A25994	5F4	8	121 - 3
AR95426	1C22	4	26 - 19	AT85197	3H6	10	70 - 101	A27238	1B21	3	20 - 15
AR95758	1F13	16	30 - 13	AU40993	2I8	2	50 - 54	A2913R	1B22	7	20 - 16
AR95758	1F13	19	30 - 13	AU40993	2I9	2	50 - 55	A2913R	6H25	2	170 - 9
AR95759	1F13	19	30 - 13	AU43853	2C14	4	40 - 29	A2913R	6J16	5	170 - 50
AR98850	1C18	9	26 - 15	AU43857	2C14	10	40 - 29	A31867	3I2	28	80 - 19
AT103553	1F15	4	30 - 15	AW12765	3B19	1	60 - 12	A31867	4F20	10	110 - 13
AT104021	1F19	9	30 - 19	AZ10044	1B9	36	20 - 3	A31867	5B21	25	120 - 13
AT104113	1F13	8	30 - 13	AZ10044	5C25	5	120 - 43	A31869	6H5	7	130 - 59
AT106398	4D9	1	90 - 51	AZ10044	6E9	4	125 - 77	A31870	6D20	23	125 - 63
AT106413	1F19	4	30 - 19	AZ10044	6E9	12	125 - 77	A31871	4G23	3	110 - 41
AT107509	1D2	11	26 - 25	AZ10044	6E9	22	125 - 77	A31871	6H5	15	130 - 59
AT112176	1F13	6	30 - 13	AZ10044	6E11	4	125 - 79	A3581R	6F19	18	130 - 23
AT125596	4E11	17	90 - 79	AZ10044	6E11	12	125 - 79	A37576	5D18	3	120 - 61
AT130104	2F9	1	40 - 97	AZ10044	6E24	3	130 - 3	A3917R	2H16	24	50 - 37

## NUMERICAL INDEX - CONTINUED

PART NO.	GRID	KEY	PAGE	PART NO.	GRID	KEY	PAGE	PART NO.	GRID	KEY	PAGE
A4365R	1C8	22	26 - 5	BH79903	2I9	..	50 - 55	BH81385	3E4	..	70 - 23
A44990	4G2	36	110 - 19	BH79904	2J6	..	50 - 77	BH81385	3E6	..	70 - 25
A44990	6D24	34	125 - 67	BH79904	2J17	..	50 - 88	BH81385	3E8	..	70 - 27
A4655R	3F11	1	70 - 54	BH79964	2I21	..	50 - 67	BH81390	3D15	..	70 - 10
A4655R	3F13	1	70 - 57	BH79964	2I25	..	50 - 71	BH81390	3D24	..	70 - 19
A4655R	3F15	1	70 - 59	BH79980	5E19	..	120 - 87	BH81390	4F18	..	110 - 11
A4655R	3F16	1	70 - 60	BH80002	2H20	..	50 - 41	BH81390	4F22	..	110 - 15
A4655R	3F17	1	70 - 61	BH80002	2I8	..	50 - 54	BH81390	4G2	..	110 - 19
A4655R	3F18	1	70 - 62	BH80002	2I9	..	50 - 55	BH81390	4G25	..	110 - 43
A4655R	3F20	1	70 - 65	BH80002	2I10	..	50 - 56	BH81390	4H2	..	110 - 45
A4655R	3F22	1	70 - 67	BH80002	2J10	..	50 - 81	BH81390	4H10	..	110 - 53
A4655R	3F24	21	70 - 69	BH80002	2J17	..	50 - 88	BH81390	4H12	..	110 - 55
A4655R	3G2	21	70 - 73	BH80117	6C7	..	125 - 25	BH81390	4H14	..	110 - 57
A4730R	5F24	20	121 - 23	BH80117	6C11	..	125 - 29	BH81446	3D15	..	70 - 10
A4741R	4D25	3	90 - 67	BH80117	6C13	..	125 - 31	BH81446	4F18	..	110 - 11
A4925R	1D10	4	26 - 35	BH80117	6C15	..	125 - 33	BH81446	4G2	..	110 - 19
A4925R	1D21	6	26 - 49	BH80118	2D10	..	40 - 49	BH81446	4G25	..	110 - 43
A50743	2F11	7	40 - 99	BH80118	4C18	..	90 - 35	BH81446	4H2	..	110 - 45
A50743	4H10	4	110 - 53	BH80119	5B23	..	120 - 15	BH81446	4H10	..	110 - 53
A50744	1B9	27	20 - 3	BH80129	5C25	..	120 - 43	BH81446	4H12	..	110 - 55
A50744	3C15	8	60 - 32	BH80129	5D2	..	120 - 45	BH81446	4H14	..	110 - 57
A51212	5B19	..	120 - 11	BH80132	5E11	..	120 - 79	BH81453	2B18	..	40 - 8
A51212	6B17	8	125 - 9	BH80132	5E19	..	120 - 87	BH81453	2D23	..	40 - 62
A51212	6B19	8	125 - 11	BH80133	3D2	..	60 - 43	BH81453	2E4	..	40 - 67
A51212	6F19	16	130 - 23	BH80267	3D8	..	70 - 3	BH81482	4H2	..	110 - 45
A60341	1F11	6	30 - 11	BH80267	3E18	..	70 - 37	BH81564	2F8	..	40 - 96
BH71446	3D24	..	70 - 19	BH80267	3E20	..	70 - 39	BH81565	2F8	..	40 - 96
BH71727	3C22	..	60 - 39	BH80337	6F12	..	130 - 15	BH81704	2G9	..	50 - 5
BH71727	3D2	..	60 - 43	BH80337	6F15	..	130 - 18	BH81705	2G9	..	50 - 5
BH71728	3C22	..	60 - 39	BH80390	6D18	..	125 - 61	BH81792	3D2	..	60 - 43
BH71728	3D2	..	60 - 43	BH80491	5G12	..	121 - 35	BH81793	3D2	..	60 - 43
BH71735	3C22	..	60 - 39	BH80538	3F25	..	70 - 70	BH81794	3D2	..	60 - 43
BH71735	3D2	..	60 - 43	BH80538	4H16	..	110 - 59	BH81795	3D2	..	60 - 43
BH71746	2H20	..	50 - 41	BH80539	4H16	..	110 - 59	BP12946	4H8	4	110 - 51
BH71746	2I8	..	50 - 54	BH80671	4C2	..	90 - 19	BP13616	5H18	13	121 - 65
BH71746	2I9	..	50 - 55	BH80671	4C4	..	90 - 21	BP13620	4F12	22	110 - 5
BH71746	2I10	..	50 - 56	BH80671	4C6	..	90 - 23	B10604	5H2	3	121 - 49
BH71746	2J6	..	50 - 77	BH80672	4C2	..	90 - 19	B27370	6F23	12	130 - 27
BH71746	2J10	..	50 - 81	BH80672	4C4	..	90 - 21	B27370	6G4	2	130 - 33
BH71746	2J17	..	50 - 88	BH80672	4C6	..	90 - 23	B28970	6B23	7	125 - 15
BH71877	5G12	..	121 - 35	BH80677	2F8	..	40 - 96	B28970	6C4	9	125 - 21
BH71883	2J10	..	50 - 81	BH80678	2F8	..	40 - 96	B28970	6C13	12	125 - 31
BH71883	2J17	..	50 - 88	BH80924	2G6	..	50 - 2	B2984R	1B14	4	20 - 8
BH71948	2C12	..	40 - 27	BH80924	3D2	..	60 - 43	B2984R	5H18	14	121 - 65
BH78337	2D23	..	40 - 62	BH80925	2G6	..	50 - 2	B3118R	4F10	8	110 - 3
BH78343	4C24	..	90 - 41	BH80925	3D2	..	60 - 43	B3118R	4F12	13	110 - 5
BH78370	2C16	..	40 - 31	BH81052	4C8	..	90 - 25	B3118R	5G22	8	121 - 45
BH78374	6H12	..	160 - 2	BH81076	4D11	..	90 - 53	B32564	3B18	23	60 - 11
BH78374	6H13	..	160 - 3	BH81084	3E15	..	70 - 34	B32630	2D18	2	40 - 57
BH78374	6H15	..	160 - 5	BH81122	6F12	..	130 - 15	B32630	3J8	12	80 - 49
BH78486	5B21	..	120 - 13	BH81122	6F15	..	130 - 18	B3690R	3C2	36	60 - 19
BH78575	5D10	..	120 - 53	BH81124	6F12	..	130 - 15	B3690R	4E3	36	90 - 71
BH79019	3D15	..	70 - 10	BH81124	6F15	..	130 - 18	CC25449	4C14	11B	90 - 31
BH79019	3D16	..	70 - 11	BH81126	3I16	..	80 - 33	CE16510	5F6	..	121 - 5
BH79118	2D16	..	40 - 55	BH81159	4D3	..	90 - 44	CE16510	5F8	..	121 - 7
BH79239	5G12	..	121 - 35	BH81159	4D4	..	90 - 45	CE16511	5F6	1	121 - 5
BH79485	2B25	..	40 - 15	BH81159	4D5	..	90 - 46	CE16512	5F6	13	121 - 5
BH79485	2E18	..	40 - 81	BH81162	5B19	..	120 - 11	CE16512	5F8	12	121 - 7
BH79543	4G4	..	110 - 21	BH81165	6H3	..	130 - 56	CE16518	5F6	10	121 - 5
BH79677	6C7	..	125 - 25	BH81255	2F7	..	40 - 95	CE16518	5F8	9	121 - 7
BH79711	2B19	..	40 - 9	BH81255	2F13	..	40 - 101	CE16519	5F6	16	121 - 5
BH79711	2B21	..	40 - 11	BH81356	2B17	..	40 - 7	CE16519	5F8	14	121 - 7
BH79773	5D4	..	120 - 47	BH81356	4C18	..	90 - 35	CE16544	5F6	15	121 - 5
BH79815	6D2	..	125 - 45	BH81360	4G10	..	110 - 27	CE16544	5F8	15	121 - 7
BH79826	2H7	..	50 - 28	BH81360	4G11	..	110 - 28	CE16591	5F6	23	121 - 5
BH79828	2H7	..	50 - 28	BH81380	5B21	..	120 - 13	CE16591	5F8	22	121 - 7
BH79903	2I8	..	50 - 54	BH81381	5B21	..	120 - 13	CE16592	5F6	2	121 - 5

## NUMERICAL INDEX - CONTINUED

PART NO.	GRID	KEY	PAGE	PART NO.	GRID	KEY	PAGE	PART NO.	GRID	KEY	PAGE
CE16592	5F8	1	121-7	E56866	5G4	15	121-27	HZ5621H	3J10	14	80-51
CE16593	5F8	19	121-7	E58183	4D9	8	90-51	H100027	6G19	26	130-49
CE16594	5F6	5	121-5	E59406	5H18	10	121-65	H100027	6G21	16	130-49B
CE16594	5F8	4	121-7	E61326	6C9	9	125-27	H100244	4G25	20	110-43
CE16595	5F6	4	121-5	E61326	6H20	9	170-4	H100245	4G25	22	110-43
CE16595	5F8	3	121-7	E61791	3G6	1	70-77	H100246	4G25	21	110-43
CE16596	5F6	17	121-5	E61791	6D18	1	125-61	H100247	4G25	19	110-43
CE16596	5F8	18	121-7	E62089	3F13	6	70-57	H100400	5E13	11	120-81
CE16598	5F6	20	121-5	E62089	3F15	6	70-59	H100796	5H8	22	121-55
CE18201	2G21	1	50-17	E62089	3F16	6	70-60	H101297	6D24	15	125-67
CE18206	3B18	22	60-11	E62089	3F17	6	70-61	H101297	6F2	1	130-5
C10232	4G17	35	110-35	E62089	3F18	6	70-62	H101448	4G25	12	110-43
C10232	6D25	10	125-68	E62089	3F22	6	70-67	H101677	4G23	8	110-41
C10232	6F4	10	130-7	E62092	3F16	17	70-60	H101813	2D24	3	40-63
C10233	6D25	10	125-68	E62092	3F18	17	70-62	H101813	6H18	1	170-2
C10233	6F4	10	130-7	E62093	3F16	15	70-60	H101870	4F2	22	90-95
C10263	6D25	10	125-68	E62093	3F18	15	70-62	H101878	5F16	5	121-15
C10263	6F4	10	130-7	E62094	3F16	14	70-60	H102206	3C24	4	60-41
C16054	3E18	15A	70-37	E62094	3F17	14	70-61	H102533	5C23	21	120-41
C16054	3E20	18A	70-39	E62094	3F18	14	70-62	H102533	5G10	36	121-33
C16071	3C17	..	60-34	E62094	3F20	14	70-65	H102533	5H4	43	121-51
C16071	3C24	..	60-41	E62094	3F22	14	70-67	H102909	6H2	7	130-55
C3203E	3I2	12	80-19	E62892	3F24	6	70-69	H103167	2G21	8	50-17
C3936E	2G23	2	50-19	E62917	3F15	22	70-59	H103264	1B9	37	20-3
DA16616	2E5	3	40-68	E62917	3F15	23	70-59	H103264	5C21	18	120-39
DA22761	2E5	7	40-68	E62917	3F24	11	70-69	H103264	6C17	15	125-35
DC30395	5F12	24	121-11	E62917	3F24	26	70-69	H103264	6E9	5	125-77
DE17503	5F6	3	121-5	E62917	3G2	11	70-73	H103264	6E11	5	125-79
DE17503	5F8	2	121-7	E62917	3G2	26	70-73	H103264	6E11	13	125-79
DE17851	5C16	8	120-33	E62942	3F11	2	70-54	H103264	6E24	4	130-3
DE17852	5C16	5	120-33	E62942	3F13	2	70-57	H103264	6G23	15	130-51
DE17853	5C16	7	120-33	E62942	3F15	2	70-59	H103265	5E13	12	120-81
DE18970	6G15	3	130-44	E62942	3F16	2	70-60	H103265	6G25	19	130-53
DE19111	6F17	14	130-21	E62942	3F17	2	70-61	H103265	6H2	8	130-55
DE19111	6F17	20	130-21	E62942	3F18	2	70-62	H103265	6H5	33	130-59
DE19111	6F17	24	130-21	E62942	3F20	2	70-65	H103543	3C22	3	60-39
DE19111	6F17	25	130-21	E62942	3F22	2	70-67	H103543	3D2	1	60-43
DS0251	1C6	..	26-2	E62942	3F24	19	70-69	H104075	3B10	31	60-3
E10018	5C23	19	120-41	E62942	3G2	19	70-73	H104418	2C22	15	40-37
E10018	5H4	42	121-51	E62951	4F16	6	110-9	H104418	2G23	24	50-19
E10018	6D20	4	125-63	E62951	4G11	5	110-28	H104793	2C10	3	40-25
E10018	6D25	5	125-68	E64256	2C12	4	40-27	H104793	5F4	22	121-3
E10018	6E7	14	125-75	E64256	3B10	36	60-3	H104793	6B21	5	125-13
E10018	6E24	10A	130-3	E64256	3H14	18	80-7	H104794	2C10	3	40-25
E10018	6F8	3	130-11	E64256	6H5	14	130-59	H104794	5F4	21	121-3
E12305	5G14	22	121-37	E65288	2H6	..	50-27	H104794	6B21	4	125-13
E12378	5E17	5	120-85	E65288	2H8	..	50-29	H104795	2C10	4	40-25
E12379	5C10	19	120-27	E65288	2H10	..	50-31	H104795	5C23	7	120-41
E12379	5E17	3	120-85	E65288	2H12	28	50-33	H104796	2C10	4	40-25
E12379	6E17	4	125-85	E65288	2H13	25	50-34	H104796	5C23	8	120-41
E12379	6E19	6	125-87	E65288	2J14	6	50-85	H104855	2F17	9	40-105
E12379	6H10	1	130-65	E65288	3G4	2B	70-75	H105005	3B10	32	60-3
E1343FN	1C16	1	26-13	E66618	3F13	24	70-57	H105005	3B12	15	60-5
E1343FN	1C18	1	26-15	E66619	3F13	19	70-57	H105519	6D24	16	125-67
E14814	5F4	9	121-3	E66620	3F13	18	70-57	H105578	5H4	57	121-51
E16774	5C14	4	120-31	E73522	5C12	2	120-29	H105584	4G23	20	110-41
E18993	5G20	6	121-43	E76584	5C8	11	120-25	H105590	4G23	9	110-41
E47782	5B21	18	120-13	E81185	4G8	9	110-25	H105822	2G6	2	50-2
E50096	5B13	10	120-5	E82510	6I6	4	170-15	H105909	4F12	11	110-5
E50096	5B15	11	120-7	E82510	6J12	23	170-45	H105912	4F12	2	110-5
E50096	5B17	11	120-9	E82514	4H8	9	110-51	H106000	2F8	4	40-96
E53699	4F12	12	110-5	E82575	6I20	4	170-29	H106073	4F12	25	110-5
E55662	1D21	5	26-49	F1649R	1F5	14	30-5	H106246	2B25	6	40-15
E55662	1E6	16	26-59	F1743R	1C8	9	26-5	H107389	5G22	16	121-45
E55662	1E18	4	26-71	F3220R	2C12	22	40-27	H107504	2G8	4	50-4
E55662	6G10	8	130-39	F3220R	2C14	22	40-29	H107504	2G10	1	50-6
E55758	2I1	6	50-47	GG310-30411	3G4	1	70-75	H107566	3C4	4	60-21

## NUMERICAL INDEX - CONTINUED

PART NO.	GRID	KEY	PAGE	PART NO.	GRID	KEY	PAGE	PART NO.	GRID	KEY	PAGE
H107566	4B19	18	90 - 11	H110800	5F22	13	121 - 21	H112910	3B14	7	60 - 7
H107566	4E5	4	90 - 73	H110800	5F24	5	121 - 23	H112911	3B14	3	60 - 7
H107567	3C4	33	60 - 21	H110801	5F22	15	121 - 21	H112911	3B14	11	60 - 7
H107567	4E5	33	90 - 73	H110801	5F24	7	121 - 23	H113053	6G6	9	130 - 35
H107570	3C4	50	60 - 21	H110812	3C2	13	60 - 19	H113063	5G14	27	121 - 37
H107570	4E5	50	90 - 73	H110812	4E3	13	90 - 71	H113196	1E18	7	26 - 71
H107581	3C4	12	60 - 21	H110842	2B15	16	40 - 5	H113196	1E21	5	26 - 74
H107581	4E5	12	90 - 73	H110842	4F4	1	90 - 97	H113196	2J10	18	50 - 81
H107582	3C4	28	60 - 21	H110848	2B15	8	40 - 5	H113208	5G14	19	121 - 37
H107582	4E5	28	90 - 73	H110922	4F10	10	110 - 3	H113238	5G14	23	121 - 37
H107584	3C4	29	60 - 21	H110922	4H6	2	110 - 49	H113279	3C2	15	60 - 19
H107584	4E5	29	90 - 73	H110923	6J12	4	170 - 45	H113279	4E3	15	90 - 71
H107586	3C4	51	60 - 21	H111041	5G14	2	121 - 37	H113402	3C4	19	60 - 21
H107586	4E5	51	90 - 73	H111042	5G14	28	121 - 37	H113402	4E5	19	90 - 73
H107687	3C2	12	60 - 19	H111234	3B12	14	60 - 5	H113404	3C4	18	60 - 21
H107687	3C4	8	60 - 21	H111260	5G14	1	121 - 37	H113404	4E5	18	90 - 73
H107687	4E3	12	90 - 71	H111261	5G14	1	121 - 37	H113625	5C10	14	120 - 27
H107687	4E5	8	90 - 73	H111262	5G14	1	121 - 37	H113625	5C25	20	120 - 43
H107735	4F10	14	110 - 3	H111364	2B15	2	40 - 5	H113625	5E17	8	120 - 85
H107793	4F10	3	110 - 3	H111364	2F4	8	40 - 92	H113626	5C10	16	120 - 27
H108291	3E10	12	70 - 29	H111364	2F7	2	40 - 95	H113626	5C25	23	120 - 43
H108604	2G5	..	50 - 1	H111364	4D21	16	90 - 63	H113626	5E17	6	120 - 85
H108604	3C22	..	60 - 39	H111364	4F4	2	90 - 97	H113627	5G14	9	121 - 37
H108604	6J13	2	170 - 46	H111378	3D8	1	70 - 3	H113717	6G23	21	130 - 51
H108604	6J13	4	170 - 46	H111474	5F20	13	121 - 19	H113858	3C2	4	60 - 19
H108605	6J13	4	170 - 46	H111478	4C2	7	90 - 19	H113858	4E3	4	90 - 71
H108673	4F10	7	110 - 3	H111500	2G6	3	50 - 2	H113863	3C2	16	60 - 19
H108725	3C4	24	60 - 21	H111537	2G7	..	50 - 3	H113863	4E3	16	90 - 71
H108725	4E5	24	90 - 73	H111541	3D2	..	60 - 43	H113864	3C4	14	60 - 21
H108745	3G8	11	70 - 79	H111705	4D21	12	90 - 63	H113864	4E5	14	90 - 73
H108822	3C2	34	60 - 19	H111705	4F4	3	90 - 97	H113892	4F18	9	110 - 11
H108822	4E3	34	90 - 71	H111706	2B21	2	40 - 11	H113892	5E15	11	120 - 83
H108889	4H6	4	110 - 49	H111706	2B25	14	40 - 15	H113924	2B15	14	40 - 5
H108935	4F2	4	90 - 95	H111706	4D21	3	90 - 63	H113946	5G14	32	121 - 37
H109046	3C8	18	60 - 25	H111706	4E7	35	90 - 75	H113947	5G14	7	121 - 37
H109046	3E4	23	70 - 23	H111706	4F4	4	90 - 97	H114001	5G16	15	121 - 39
H109046	3E8	12	70 - 27	H111730	2I15	2	50 - 61	H114001	6B23	21	125 - 15
H109046	3F8	6	70 - 51	H111730	2I19	21	50 - 65	H114020	2F3	11	40 - 91
H109146	2D18	6	40 - 57	H111730	2I21	2	50 - 67	H114020	6D6	10	125 - 49
H109254	3B14	15	60 - 7	H111730	3C8	20	60 - 25	H114038	2B13	3	40 - 3
H109539	3C4	9	60 - 21	H111730	3F8	11	70 - 51	H114038	2C4	10	40 - 19
H109539	4E5	9	90 - 73	H112162	2G17	22	50 - 13	H114038	2C6	9	40 - 21
H109716	3B10	26	60 - 3	H112162	3D9	14	70 - 4	H114038	2C18	21	40 - 33
H109855	4G23	7	110 - 41	H112162	3D10	14	70 - 5	H114038	4B25	12	90 - 17
H110168	5G20	2	121 - 43	H112162	4C20	22	90 - 37	H114038	4F4	5	90 - 97
H110178	5D6	8	120 - 49	H112567	1B21	12	20 - 15	H114046	4E9	3	90 - 77
H110178	5D8	8	120 - 51	H112567	2I13	21	50 - 59	H114142	4E7	11	90 - 75
H110178	5D16	7	120 - 59	H112567	2I15	3	50 - 61	H114226	5G4	13	121 - 27
H110178	5D20	5	120 - 63	H112567	2I19	20	50 - 65	H114227	5G4	13	121 - 27
H110178	5D24	7	120 - 67	H112567	2I21	3	50 - 67	H114228	5G4	13	121 - 27
H110178	5F22	1	121 - 21	H112567	2J2	5	50 - 73	H114270	6J10	11	170 - 43
H110229	3C4	6	60 - 21	H112567	2J6	13	50 - 77	H114330	3B12	12	60 - 5
H110229	4E5	6	90 - 73	H112567	2J8	13	50 - 79	H114331	3B12	11	60 - 5
H110232	3B10	14	60 - 3	H112567	2J16	5	50 - 87	H114379	5C12	5	120 - 29
H110237	5G10	33	121 - 33	H112567	2J17	5	50 - 88	H114395	6G25	10	130 - 53
H110310	3C4	5	60 - 21	H112567	3C6	11	60 - 23	H114411	2D10	17	40 - 49
H110310	4E5	5	90 - 73	H112567	3C8	21	60 - 25	H114432	1B21	15	20 - 15
H110337	5G14	35	121 - 37	H112567	3D18	11	70 - 13	H114432	2J2	15	50 - 73
H110438	6J10	10	170 - 43	H112567	3D20	15	70 - 15	H114432	3D20	10	70 - 15
H110462	5G14	26	121 - 37	H112567	3D22	15	70 - 17	H114432	3D22	10	70 - 17
H110521	5G14	24	121 - 37	H112567	3E14	6	70 - 33	H114433	1B21	6	20 - 15
H110539	2G19	31	50 - 15	H112567	3F8	10	70 - 51	H114523	4B13	4	90 - 5
H110539	2G21	15	50 - 17	H112567	3G24	4	70 - 95	H114525	4B13	5	90 - 5
H110542	5G16	6	121 - 39	H112567	6D12	5	125 - 55	H114535	6B11	9	125 - 3
H110700	3C4	21	60 - 21	H112567	6D14	7	125 - 57	H114536	6B11	14	125 - 3
H110700	4E5	21	90 - 73	H112567	6D16	7	125 - 59	H114537	6B11	10	125 - 3
H110728	4F10	16	110 - 3	H112877	5G14	21	121 - 37	H114538	6B11	13	125 - 3



## NUMERICAL INDEX - CONTINUED

PART NO.	GRID	KEY	PAGE	PART NO.	GRID	KEY	PAGE	PART NO.	GRID	KEY	PAGE
H114687	5G14	34	121 - 37	H116351	6G10	9	130 - 39	H119088	4F4	6	90 - 97
H114688	5G14	38	121 - 37	H116359	4C24	4	90 - 41	H119187	4E7	37A	90 - 75
H114689	5G14	44	121 - 37	H116639	2G5	..	50 - 1	H119210	5G20	9	121 - 43
H114709	6G23	20	130 - 51	H116640	2G5	..	50 - 1	H119362	4E7	17	90 - 75
H114738	6H5	42	130 - 59	H116640	6J13	4	170 - 46	H119411	3I2	23	80 - 19
H114818	1B11	1	20 - 5	H116641	3D2	..	60 - 43	H119566	6G23	9	130 - 51
H114865	2J6	11	50 - 77	H116650	5H20	5	121 - 67	H119567	6G23	9	130 - 51
H114865	2J8	11	50 - 79	H116706	3E10	9	70 - 29	H119568	6G23	9	130 - 51
H114865	2J16	6	50 - 87	H116717	3E4	3	70 - 23	H119642	5B21	29	120 - 13
H114865	2J17	4	50 - 88	H116717	3E6	10	70 - 25	H119642	5C2	17	120 - 19
H114865	3E14	7	70 - 33	H116717	3E8	2	70 - 27	H119709	4G23	11	110 - 41
H114873	6G23	5	130 - 51	H116740	2E6	1	40 - 69	H119710	4G23	2	110 - 41
H114876	2I13	5	50 - 59	H116740	2E6	7	40 - 69	H119904	1F7	2	30 - 7
H114876	2I13	13	50 - 59	H116740	2E8	1	40 - 71	H119996	6G25	13	130 - 53
H114897	1B21	13	20 - 15	H116740	2E10	1	40 - 73	H119997	6G25	12	130 - 53
H114897	2I13	20	50 - 59	H116740	3H16	4	80 - 9	H120082	3I2	13	80 - 19
H114897	3D20	14	70 - 15	H116861	5G18	5	121 - 41	H120099	4D25	5	90 - 67
H114897	3D20	17	70 - 15	H116862	5F10	12	121 - 9	H120362	3D20	21	70 - 15
H114897	3D22	14	70 - 17	H116862	5G18	4	121 - 41	H120362	3D22	21	70 - 17
H114897	3D22	17	70 - 17	H116862	5H16	16	121 - 63	H120362	6D12	3	125 - 55
H114898	2J6	15	50 - 77	H116894	3D24	9	70 - 19	H120379	3H12	19	80 - 5
H114898	2J8	15	50 - 79	H116916	5H6	15	121 - 53	H120388	3B12	7	60 - 5
H114901	2I17	9	50 - 63	H116916	5H20	4	121 - 67	H120389	3B12	6	60 - 5
H114901	2I19	13	50 - 65	H117239	2B15	12	40 - 5	H120490	5G11	8	121 - 34
H114901	2I21	9	50 - 67	H117239	2C18	19	40 - 33	H120499	3J8	14	80 - 49
H114901	2J4	2	50 - 75	H117703	5G14	15	121 - 37	H120499	6F23	10	130 - 27
H114901	2J6	16	50 - 77	H117937	3E10	5	70 - 29	H120659	5G16	17	121 - 39
H114901	2J8	16	50 - 79	H117952	2D4	9	40 - 43	H120800	5C4	7	120 - 21
H115031	4E7	9	90 - 75	H117952	4F2	10	90 - 95	H120801	5C4	6	120 - 21
H115140	3C16	7	60 - 33	H117953	5B11	6	120 - 3	H120847	3C6	26	60 - 23
H115140	3C17	8	60 - 34	H118068	5B11	12	120 - 3	H120847	3C8	4	60 - 25
H115379	2J2	6	50 - 73	H118082	5G14	12	121 - 37	H120847	3C8	15	60 - 25
H115521	2C8	1	40 - 23	H118166	5C4	3	120 - 21	H120847	3E4	31	70 - 23
H115521	4E9	1	90 - 77	H118416	2B13	10	40 - 3	H120847	3E6	17	70 - 25
H115533	3C8	23	60 - 25	H118425	2D6	21	40 - 45	H120847	3E24	7	70 - 43
H115533	3C8	27	60 - 25	H118426	2C20	7	40 - 35	H120847	3F2	7	70 - 45
H115533	3D9	2	70 - 4	H118426	2C24	8	40 - 39	H120847	3G22	5	70 - 93
H115533	3D10	2	70 - 5	H118427	2C22	3	40 - 37	H120847	6D12	18	125 - 55
H115533	3D18	18	70 - 13	H118430	2B13	17	40 - 3	H120923	6J10	1	170 - 43
H115533	3E6	1	70 - 25	H118430	2B23	3	40 - 13	H120924	6J12	6	170 - 45
H115596	5G20	8	121 - 43	H118431	2B13	15	40 - 3	H121040	6J15	6	170 - 49
H115755	5G10	19	121 - 33	H118539	4E13	13	90 - 81	H121110	2D4	6	40 - 43
H115759	5G10	25	121 - 33	H118543	4E13	15	90 - 81	H121110	2F11	11	40 - 99
H115759	5G22	3	121 - 45	H118583	4G13	18	110 - 31	H121134	5G20	4	121 - 43
H115759	6H19	6	170 - 3	H118616	5G11	3	121 - 34	H121163	2J6	23	50 - 77
H115881	5G12	4	121 - 35	H118617	5G10	24	121 - 33	H121163	2J8	21	50 - 79
H115881	5G14	39	121 - 37	H118617	5G11	1	121 - 34	H121163	3C10	5	60 - 27
H115881	5G22	20	121 - 45	H118618	5G11	6	121 - 34	H121163	3C12	14	60 - 29
H115881	6H19	7	170 - 3	H118618	6H19	7	170 - 3	H121163	3E4	5	70 - 23
H115930	5G10	12	121 - 33	H118619	4E7	12	90 - 75	H121163	3E8	8	70 - 27
H115987	4D7	9	90 - 49	H118719	1B9	44	20 - 3	H121163	3G8	14	70 - 79
H116065	5F12	25	121 - 11	H118776	4G13	16	110 - 31	H121168	3C6	27	60 - 23
H116065	5G24	8	121 - 47	H118871	4E7	28	90 - 75	H121168	3C8	5	60 - 25
H116160	2D14	..	40 - 53	H118872	4E7	26	90 - 75	H121168	3C12	5	60 - 29
H116160	2D16	..	40 - 55	H118882	2H2	8	50 - 23	H121168	3E4	25	70 - 23
H116160	2E16	..	40 - 79	H118906	3F6	22	70 - 49	H121168	3E4	30	70 - 23
H116160	5G4	..	121 - 27	H118919	5G6	15	121 - 29	H121168	3E6	16	70 - 25
H116160	5G6	..	121 - 29	H118920	5G6	14	121 - 29	H121168	3E8	11	70 - 27
H116161	6G25	24	130 - 53	H118927	5G4	13	121 - 27	H121168	3E10	11	70 - 29
H116188	4B25	14	90 - 17	H118948	5C12	8	120 - 29	H121168	3F8	7	70 - 51
H116213	3G4	9	70 - 75	H118948	6E5	17	125 - 73	H121168	3G22	4	70 - 93
H116213	3G6	10	70 - 77	H119007	2G13	7	50 - 9	H121168	6D12	19	125 - 55
H116213	6D18	12	125 - 61	H119028	5F18	1	121 - 17	H121391	3J8	15	80 - 49
H116262	6H5	10	130 - 59	H119029	5F18	1	121 - 17	H121391	6F23	34	130 - 27
H116292	6G23	2A	130 - 51	H119030	5F18	1	121 - 17	H121472	2J10	11	50 - 81
H116333	2G8	6	50 - 4	H119031	5F18	1	121 - 17	H121472	3C16	9	60 - 33
H116333	2G9	3	50 - 5	H119088	4B17	4	90 - 9	H121681	5G2	12	121 - 25

## NUMERICAL INDEX - CONTINUED

PART NO.	GRID	KEY	PAGE	PART NO.	GRID	KEY	PAGE	PART NO.	GRID	KEY	PAGE
H121681	5G6	16	121 - 29	H124258	3B10	18	60 - 3	H125844	5F22	8	121 - 21
H122063	2G7	4	50 - 3	H124258	3B12	9	60 - 5	H125873	2E3	13	40 - 66
H122182	2I13	8	50 - 59	H124259	3B12	8	60 - 5	H125929	3G4	12	70 - 75
H122182	2I15	5	50 - 61	H124260	4B11	6	90 - 3	H125930	2C20	3	40 - 35
H122182	2I17	7	50 - 63	H125330	2H2	13	50 - 23	H125988	4E13	22	90 - 81
H122182	2I19	3	50 - 65	H125335	2H2	15	50 - 23	H125989	4E13	23	90 - 81
H122182	2I21	5	50 - 67	H125347	2E6	15	40 - 69	H125991	4E13	26	90 - 81
H122182	2I23	3	50 - 69	H125347	2E8	15	40 - 71	H126026	3F6	7	70 - 49
H122182	2I25	3	50 - 71	H125347	2E10	15	40 - 73	H126028	3F6	34	70 - 49
H122372	2D4	11	40 - 43	H125351	5F20	6	121 - 19	H126069	5F22	4	121 - 21
H122372	5C25	11	120 - 43	H125354	5F20	10	121 - 19	H126081	4B19	2	90 - 11
H122573	2G7	..	50 - 3	H125355	5F20	21	121 - 19	H126082	4B19	3	90 - 11
H122573	6H23	1	170 - 7	H125355	5F22	17	121 - 21	H126083	4B19	4	90 - 11
H122573	6J13	5	170 - 46	H125356	5F20	19	121 - 19	H126123	2G15	8	50 - 11
H122647	3E2	7	70 - 21	H125356	5F22	19	121 - 21	H126124	2G15	7	50 - 11
H122650	5F22	14	121 - 21	H125381	6B21	6	125 - 13	H126169	5H16	8	121 - 63
H122650	5F24	6	121 - 23	H125391	5G22	18	121 - 45	H126261	4H4	6	110 - 47
H122772	3D18	10	70 - 13	H125403	3D15	5	70 - 10	H126280	6H2	10	130 - 55
H122772	6D14	8	125 - 57	H125403	3D16	3	70 - 11	H126302	4H4	11	110 - 47
H122772	6D16	8	125 - 59	H125403	3E2	17	70 - 21	H126334	6B11	2	125 - 3
H123297	1F17	10	30 - 17	H125403	6D14	24	125 - 57	H126335	6B11	1A	125 - 3
H123351	6J10	13	170 - 43	H125459	4C24	5	90 - 41	H126335	6B11	1B	125 - 3
H123557	5G10	27	121 - 33	H125466	1B13	1	20 - 7	H126336	6B11	6A	125 - 3
H123633	4G4	12	110 - 21	H125467	1B13	2	20 - 7	H126336	6B11	6B	125 - 3
H123636	4G4	11	110 - 21	H125471	1B13	24	20 - 7	H126345	4F20	12	110 - 13
H123637	4G4	19	110 - 21	H125489	4G25	6	110 - 43	H126345	4H4	12	110 - 47
H123638	4G4	21	110 - 21	H125490	4G25	9	110 - 43	H126345	4H6	3	110 - 49
H123652	1B9	39	20 - 3	H125511	4B13	1	90 - 5	H126345	6H20	8	170 - 4
H123734	4G17	30	110 - 35	H125513	4B17	3	90 - 9	H126346	4F20	20	110 - 13
H123740	4B25	18	90 - 17	H125518	2G17	1	50 - 13	H126368	2J6	30	50 - 77
H123740	4C24	9	90 - 41	H125518	4C20	1	90 - 37	H126370	4F20	26	110 - 13
H123785	2E3	3	40 - 66	H125528	5G22	9	121 - 45	H126371	4F18	2	110 - 11
H123786	2E3	7	40 - 66	H125537	3I24	4	80 - 41	H126371	4F20	25	110 - 13
H123787	2E3	8	40 - 66	H125537	3J2	4	80 - 43	H126397	4F22	25	110 - 15
H123788	2E3	6	40 - 66	H125537	6F25	25	130 - 29	H126397	4F24	25	110 - 17
H123794	4B21	3	90 - 13	H125670	6G4	15	130 - 33	H126397	4G2	25	110 - 19
H123796	4B25	16	90 - 17	H125671	6G4	20	130 - 33	H126397	6J12	19	170 - 45
H123872	3C4	10	60 - 21	H125672	6G4	16	130 - 33	H126470	4D21	10	90 - 63
H123872	4E5	10	90 - 73	H125711	4F10	12	110 - 3	H126564	5G4	16	121 - 27
H123873	3C2	25	60 - 19	H125711	4F18	10	110 - 11	H126572	2G23	12	50 - 19
H123873	4E3	25	90 - 71	H125711	6H20	5	170 - 4	H126573	2G23	12	50 - 19
H123874	3C4	20	60 - 21	H125733	5F18	6	121 - 17	H126575	2G23	12	50 - 19
H123874	4E5	20	90 - 73	H125734	5F24	10	121 - 23	H126582	2I13	10	50 - 59
H123875	3C4	25	60 - 21	H125735	5F24	10	121 - 23	H126583	2G15	16	50 - 11
H123875	4E5	25	90 - 73	H125736	5F24	10	121 - 23	H126583	2H16	23	50 - 37
H123877	3C4	2	60 - 21	H125737	5F24	10	121 - 23	H126587	5F14	7	121 - 13
H123877	4E5	2	90 - 73	H125738	5F24	1	121 - 23	H126589	4E7	20	90 - 75
H123918	1B9	23	20 - 3	H125740	5F14	18	121 - 13	H126590	4E7	22	90 - 75
H123918	3H10	4	80 - 3	H125740	5F18	5	121 - 17	H126672	3J6	15	80 - 47
H123918	6C19	11	125 - 37	H125741	5F14	18	121 - 13	H126715	5G8	25	121 - 31
H123991	4B25	5	90 - 17	H125741	5F18	5	121 - 17	H126716	5G8	23	121 - 31
H123995	2B11	5	40 - 1	H125742	5F14	18	121 - 13	H126722	5G14	41	121 - 37
H123995	2B13	5	40 - 3	H125742	5F18	5	121 - 17	H126792	5F24	15	121 - 23
H123995	4B25	7	90 - 17	H125743	5F14	18	121 - 13	H126793	5F24	16	121 - 23
H123995	4D21	2	90 - 63	H125743	5F18	5	121 - 17	H126801	6H3	1	130 - 56
H123995	4F4	7	90 - 97	H125752	6G4	14	130 - 33	H126802	6H3	7	130 - 56
H123998	2C4	11	40 - 19	H125753	6G4	12	130 - 33	H126804	6H3	12	130 - 56
H123998	2C6	10	40 - 21	H125769	4B21	6	90 - 13	H126829	5G14	40	121 - 37
H123998	2F7	7	40 - 95	H125837	5F24	8	121 - 23	H126846	2B25	35	40 - 15
H123998	4E7	25	90 - 75	H125838	5F14	17	121 - 13	H126932	5D6	6	120 - 49
H123998	4E7	35	90 - 75	H125838	5G4	12	121 - 27	H126932	5D8	6	120 - 51
H124185	2C8	3	40 - 23	H125838	5G6	5	121 - 29	H126932	5D16	3	120 - 59
H124185	4E9	9	90 - 77	H125839	5F22	7	121 - 21	H126932	5D20	9	120 - 63
H124198	4E7	30	90 - 75	H125840	5F22	11	121 - 21	H126932	5D24	3	120 - 67
H124205	2E18	9	40 - 81	H125841	5F22	8	121 - 21	H126933	5D6	7	120 - 49
H124206	2E18	2	40 - 81	H125842	5F22	8	121 - 21	H126933	5D8	7	120 - 51
H124210	4B17	9	90 - 9	H125843	5F22	8	121 - 21	H126933	5D16	6	120 - 59

# 1K25

CTS COMBINE (NORTH AMERICAN VERSION)

## NUMERICAL INDEX - CONTINUED

PART NO.	GRID	KEY	PAGE	PART NO.	GRID	KEY	PAGE	PART NO.	GRID	KEY	PAGE
H126933	5D20	6	120 - 63	H128082	6B17	1	125 - 9	H129207	5C12	7	120 - 29
H126933	5D24	6	120 - 67	H128082	6B19	1	125 - 11	H129207	5H2	17	121 - 49
H126934	5D6	5	120 - 49	H128083	6B13	2	125 - 5	H129207	5H6	9	121 - 53
H126934	5D8	5	120 - 51	H128083	6B15	1	125 - 7	H129207	5H20	6	121 - 67
H126934	5D16	4	120 - 59	H128083	6B17	1	125 - 9	H129207	6E5	5	125 - 73
H126934	5D20	8	120 - 63	H128083	6B19	1	125 - 11	H129208	5F10	11	121 - 9
H126934	5D24	4	120 - 67	H128098	5H18	1	121 - 65	H129208	5H16	17	121 - 63
H127097	3H20	7	80 - 13	H128111	5H18	7	121 - 65	H129212	2C24	8	40 - 39
H127159	5F14	9	121 - 13	H128118	4F16	4	110 - 9	H129212	2F4	4	40 - 92
H127189	5G2	1	121 - 25	H128118	4G11	4	110 - 28	H129311	5H6	6	121 - 53
H127189	5G10	1	121 - 33	H128124	6B11	20	125 - 3	H129328	3F6	20	70 - 49
H127196	5G10	18	121 - 33	H128194	4E13	8	90 - 81	H129367	2B25	31	40 - 15
H127250	6G4	9	130 - 33	H128234	6C7	32	125 - 25	H129389	6F4	3	130 - 7
H127408	3J4	7	80 - 45	H128265	5H4	32	121 - 51	H129440	2B13	2	40 - 3
H127410	3J4	4	80 - 45	H128265	6D20	21	125 - 63	H129464	6H3	9	130 - 56
H127524	5C23	10	120 - 41	H128297	5G12	5	121 - 35	H129465	6H3	6	130 - 56
H127525	5C23	23	120 - 41	H128315	6J12	9	170 - 45	H129471	6H3	4	130 - 56
H127532	5C19	4	120 - 36	H128357	6B13	3	125 - 5	H129472	6H3	3	130 - 56
H127574	4E7	21	90 - 75	H128357	6B13	7	125 - 5	H129525	2G19	34	50 - 15
H127575	4E7	1	90 - 75	H128357	6B15	2	125 - 7	H129550	6G10	23	130 - 39
H127578	1F5	2	30 - 5	H128357	6B15	3	125 - 7	H129553	4C16	1	90 - 33
H127578	1F7	12	30 - 7	H128357	6B17	2	125 - 9	H129557	2H2	9	50 - 23
H127583	5G20	22	121 - 43	H128357	6B19	2	125 - 11	H129558	2G21	22	50 - 17
H127589	1F7	13	30 - 7	H128358	6B13	3	125 - 5	H129564	2G19	26	50 - 15
H127589	2J6	20	50 - 77	H128358	6B15	2	125 - 7	H129564	2G21	11	50 - 17
H127589	2J8	20	50 - 79	H128358	6B17	2	125 - 9	H129565	2G19	27	50 - 15
H127589	3E4	6	70 - 23	H128358	6B19	2	125 - 11	H129588	3G10	2	70 - 81
H127589	3E8	27	70 - 27	H128359	6B13	3	125 - 5	H129588	6F25	21	130 - 29
H127589	3F10	2	70 - 53	H128359	6B15	2	125 - 7	H129606	4B13	3	90 - 5
H127590	5G14	18	121 - 37	H128359	6B17	2	125 - 9	H129610	4C2	6	90 - 19
H127596	5G20	17	121 - 43	H128359	6B19	2	125 - 11	H129653	6G6	20	130 - 35
H127603	4F16	20	110 - 9	H128469	2F3	10A	40 - 91	H129659	4G23	6	110 - 41
H127603	4G11	7	110 - 28	H128479	6G14	10	130 - 43	H129676	5G8	17	121 - 31
H127604	4F16	9	110 - 9	H128489	6G14	4A	130 - 43	H129681	4G23	16	110 - 41
H127625	4F22	6	110 - 15	H128502	3H16	20	80 - 9	H129686	2B17	8	40 - 7
H127638	6F23	2	130 - 27	H128515	2J6	24	50 - 77	H129686	4C18	8	90 - 35
H127677	3J2	13	80 - 43	H128515	2J8	22	50 - 79	H129709	3C16	6	60 - 33
H127677	6F25	39	130 - 29	H128515	3C10	4	60 - 27	H129709	3C17	7	60 - 34
H127731	3J10	17	80 - 51	H128515	3C12	15	60 - 29	H129716	6G6	11	130 - 35
H127732	3J10	11	80 - 51	H128515	3E4	6	70 - 23	H129749	2G13	4	50 - 9
H127732	5G16	12	121 - 39	H128515	3E8	7	70 - 27	H129760	4C4	5	90 - 21
H127749	4C22	17	90 - 39	H128515	3G8	15	70 - 79	H129760	4C6	5	90 - 23
H127749	4F14	17	110 - 7	H128536	2G13	9	50 - 9	H129761	4C4	4	90 - 21
H127752	3B14	10	60 - 7	H128557	2G13	8	50 - 9	H129761	4C6	4	90 - 23
H127781	4F22	16	110 - 15	H128576	6F8	9	130 - 11	H129763	4C4	13	90 - 21
H127781	4F24	16	110 - 17	H128744	3H18	3	80 - 11	H129763	4C6	13	90 - 23
H127781	4G2	16	110 - 19	H128819	2C12	5	40 - 27	H129765	3F6	23	70 - 49
H127855	5G14	13	121 - 37	H128819	2C14	11	40 - 29	H129825	6G4	17	130 - 33
H127872	6E5	4	125 - 73	H128820	2C12	10	40 - 27	H129833	3I24	16	80 - 41
H127922	6G25	5	130 - 53	H128820	2C14	17	40 - 29	H129833	6F25	45	130 - 29
H127923	6G25	4	130 - 53	H128821	2C12	12	40 - 27	H129839	1F3	22	30 - 3
H127978	4E7	14	90 - 75	H128822	2C14	19	40 - 29	H129844	5G6	3	121 - 29
H127998	6G19	26	130 - 49	H128823	2C12	25	40 - 27	H129854	2H2	12	50 - 23
H127998	6G21	16	130 - 49B	H128841	2C12	18	40 - 27	H129885	3I2	5	80 - 19
H128010	5G10	20	121 - 33	H128859	2C12	26	40 - 27	H129885	6F25	1	130 - 29
H128010	5H2	1	121 - 49	H128859	4F4	8	90 - 97	H129887	2C4	3	40 - 19
H128010	6H18	2	170 - 2	H128861	6G8	1	130 - 37	H129887	2C6	17	40 - 21
H128080	6B13	2	125 - 5	H128877	6F2	7	130 - 5	H129887	4E9	8	90 - 77
H128080	6B15	1	125 - 7	H128884	3I18	1A	80 - 35	H129934	5F16	12	121 - 15
H128080	6B17	1	125 - 9	H128890	6F8	5	130 - 11	H129935	5F16	16	121 - 15
H128080	6B19	1	125 - 11	H128906	2E3	11	40 - 66	H130016	1B21	1	20 - 15
H128081	6B13	2	125 - 5	H128937	5F20	3	121 - 19	H130017	1B21	4	20 - 15
H128081	6B15	1	125 - 7	H128999	5C4	1	120 - 21	H130039	3I24	11A	80 - 41
H128081	6B17	1	125 - 9	H129004	3I2	27	80 - 19	H130040	4G4	17	110 - 21
H128081	6B19	1	125 - 11	H129049	6F19	17	130 - 23	H130040	4G8	18	110 - 25
H128082	6B13	2	125 - 5	H129179	5C4	5	120 - 21	H130057	3H20	9	80 - 13
H128082	6B15	1	125 - 7	H129207	5C6	12	120 - 23	H130057	5B11	6	120 - 3

## NUMERICAL INDEX - CONTINUED

PART NO.	GRID	KEY	PAGE	PART NO.	GRID	KEY	PAGE	PART NO.	GRID	KEY	PAGE
H130058	2B17	2	40-7	H130771	6G8	9	130-37	H131482	5G24	5	121-47
H130058	4C18	2	90-35	H130771	6G8	..	130-37	H131485	5G24	11	121-47
H130091	4E7	23	90-75	H130826	4G4	17	110-21	H131526	3H20	1	80-13
H130137	6G6	15	130-35	H130922	5D14	10	120-57	H131526	3H24	10	80-17
H130140	5F14	10	121-13	H130930	3I22	3	80-39	H131531	6F23	25	130-27
H130153	2B15	10	40-5	H130930	6D24	4	125-67	H131531	6F25	6	130-29
H130190	3B12	4	60-5	H130930	6F4	6	130-7	H131531	6G4	10	130-33
H130191	3B12	2	60-5	H130948	6B11	15	125-3	H131543	3J6	6	80-47
H130192	3C2	24	60-19	H130949	6B11	8	125-3	H131574	2C20	13	40-35
H130192	3C4	11	60-21	H130956	6E3	3	125-71	H131591	3D8	11	70-3
H130192	4E3	24	90-71	H130957	6C17	18	125-35	H131591	4C16	4	90-33
H130192	4E5	11	90-73	H130957	6E3	4	125-71	H131591	4C24	3	90-41
H130192	4F4	9	90-97	H130967	3H14	35	80-7	H131591	4F4	13	90-97
H130194	2B15	15	40-5	H130968	3H14	5	80-7	H131591	4F6	4	90-99
H130194	4F4	10	90-97	H131021	6J12	10	170-45	H131595	2C16	19	40-31
H130195	2B17	3	40-7	H131040	2G17	5	50-13	H131626	4C2	3	90-19
H130195	4C18	3	90-35	H131040	4C20	5	90-37	H131628	3J8	8	80-49
H130195	4F4	11	90-97	H131041	2G17	6	50-13	H131628	6F25	27	130-29
H130223	3C16	12	60-33	H131041	4C20	6	90-37	H131638	6E7	18	125-75
H130224	3C16	11	60-33	H131087	4G17	13	110-35	H131639	6E7	17	125-75
H130227	3C19	7	60-36	H131088	4G17	15	110-35	H131673	6F23	20	130-27
H130228	3C19	11	60-36	H131090	4G17	22	110-35	H131674	6F23	17	130-27
H130246	3H14	28	80-7	H131098	5H4	33	121-51	H131675	6F23	15	130-27
H130262	6F23	31	130-27	H131108	5C19	1	120-36	H131720	4B21	9	90-13
H130287	2G9	7	50-5	H131115	2I13	18	50-59	H131743	3H20	11A	80-13
H130288	2G9	8	50-5	H131115	2I17	15	50-63	H131743	3H20	11B	80-13
H130298	2B18	5	40-8	H131115	3C8	14	60-25	H131743	4G4	3	110-21
H130298	4F4	12	90-97	H131115	3D20	18	70-15	H131754	2G9	11	50-5
H130299	2B18	4	40-8	H131115	3D22	18	70-17	H131754	2H4	9	50-25
H130301	4B25	10	90-17	H131115	3E4	22	70-23	H131865	6C11	4	125-29
H130303	4B25	15	90-17	H131115	3E8	25	70-27	H131865	6C13	2	125-31
H130349	3H12	10	80-5	H131115	3E10	19	70-29	H131865	6G2	3	130-31
H130355	5C25	14	120-43	H131115	3E24	5	70-43	H131876	3J10	22	80-51
H130362	3J8	18	80-49	H131115	3F2	5	70-45	H131878	5B19	14	120-11
H130362	4C10	7	90-27	H131121	2H12	25	50-33	H131948	1B9	24	20-3
H130362	4C12	9	90-29	H131121	2J14	6	50-85	H131948	1B13	23	20-7
H130363	3J8	6	80-49	H131121	3G4	2A	70-75	H131949	1B9	22	20-3
H130363	6F25	30	130-29	H131155	2I13	14	50-59	H131982	2B11	4	40-1
H130364	3J8	3	80-49	H131163	3C8	3	60-25	H131985	2B11	1	40-1
H130388	3C14	7	60-31	H131163	3E4	7	70-23	H131986	5C2	14	120-19
H130407	2G23	6	50-19	H131163	3E8	13	70-27	H131987	5C2	16	120-19
H130424	3H24	2	80-17	H131169	6H18	4	170-2	H131996	2J10	12	50-81
H130425	3H24	12	80-17	H131170	5H4	11	121-51	H132008	3J2	5	80-43
H130431	3H24	6	80-17	H131186	3C4	31	60-21	H132024	6F23	9	130-27
H130432	3H24	5	80-17	H131186	4E5	31	90-73	H132057	5B23	11	120-15
H130451	2J2	9	50-73	H131227	6F25	18	130-29	H132057	5B25	4	120-17
H130451	3G22	8	70-93	H131228	5G2	2	121-25	H132088	6F19	26	130-23
H130510	2C20	22	40-35	H131230	6F25	4	130-29	H132097	6G14	9	130-43
H130511	2C4	9	40-19	H131256	6G12	3	130-41	H132126	2G8	2	50-4
H130511	2C6	8	40-21	H131259	6G12	12	130-41	H132160	5D6	2	120-49
H130515	4C16	6	90-33	H131261	6G12	9	130-41	H132160	5D8	2	120-51
H130520	6H15	11	160-5	H131262	6G14	13	130-43	H132160	5D10	2	120-53
H130521	3J2	15A	80-43	H131263	6G14	12	130-43	H132160	5D20	11	120-63
H130529	4G19	10	110-37	H131264	6F25	3	130-29	H132161	5D6	2	120-49
H130530	4G19	2	110-37	H131296	2G19	11	50-15	H132161	5D8	2	120-51
H130530	4H10	10	110-53	H131297	2G19	14	50-15	H132161	5D10	2	120-53
H130555	3I2	1	80-19	H131298	4B11	1	90-3	H132208	5H4	10	121-51
H130571	4G23	13	110-41	H131299	4B11	2	90-3	H132208	5H8	19	121-55
H130572	5C10	24	120-27	H131300	4B11	13	90-3	H132227	6F4	9	130-7
H130636	3J10	4	80-51	H131301	4B11	11	90-3	H132288	5D6	12	120-49
H130637	2D6	19	40-45	H131302	2B13	4	40-3	H132288	5D8	12	120-51
H130637	2D22	1	40-61	H131319	5D22	1	120-65	H132288	5D16	9	120-59
H130646	4C22	9	90-39	H131356	6G10	25	130-39	H132288	5D18	10	120-61
H130646	4F14	9	110-7	H131424	3C4	7	60-21	H132289	5D24	9	120-67
H130661	6D24	20	125-67	H131424	4E5	7	90-73	H132290	5D20	3	120-63
H130667	6D24	9	125-67	H131424	4F4	15	90-97	H132291	5D6	11	120-49
H130695	5C25	16	120-43	H131452	4G15	3	110-33	H132291	5D8	11	120-51

## NUMERICAL INDEX - CONTINUED

PART NO.	GRID	KEY	PAGE	PART NO.	GRID	KEY	PAGE	PART NO.	GRID	KEY	PAGE
H132291	5D16	8	120 - 59	H132988	4G21	6	110 - 39	H133598	5D14	17	120 - 57
H132291	5D18	11	120 - 61	H132992	3H14	32	80 - 7	H133598	5D22	23	120 - 65
H132292	5D24	8	120 - 67	H132995	5F24	19	121 - 23	H133598	5H4	56	121 - 51
H132293	5D20	2	120 - 63	H133010	2G21	10	50 - 17	H133599	5D14	13	120 - 57
H132298	5H8	7	121 - 55	H133024	6H5	13	130 - 59	H133600	5D22	22	120 - 65
H132328	4F12	24	110 - 5	H133025	6H5	26	130 - 59	H133601	5D22	22	120 - 65
H132400	5F20	5	121 - 19	H133026	6H5	17	130 - 59	H133602	5D14	13	120 - 57
H132451	2F7	11	40 - 95	H133031	6E3	8	125 - 71	H133603	5H4	47	121 - 51
H132451	4C24	11	90 - 41	H133042	3H14	15	80 - 7	H133621	5H4	52	121 - 51
H132452	4B17	10	90 - 9	H133047	2G17	19	50 - 13	H133632	5B25	2	120 - 17
H132452	4D9	5	90 - 51	H133047	4C20	19	90 - 37	H133633	5C2	10	120 - 19
H132511	3I10	2	80 - 27	H133049	1B17	2A	20 - 11	H133636	2G17	8	50 - 13
H132513	2C22	1	40 - 37	H133051	1B17	2B	20 - 11	H133636	4C20	8	90 - 37
H132538	4E11	23	90 - 79	H133051	1B17	4	20 - 11	H133638	6F21	9	130 - 25
H132538	6F25	29	130 - 29	H133051	1B17	12B	20 - 11	H133638	6J15	4	170 - 49
H132539	3H12	8	80 - 5	H133060	3C6	8	60 - 23	H133638	6J16	4	170 - 50
H132539	6E24	6	130 - 3	H133060	4G21	5	110 - 39	H133639	6J10	12	170 - 43
H132540	5C4	18	120 - 21	H133081	5C25	30	120 - 43	H133639	6J12	25	170 - 45
H132541	5B21	1	120 - 13	H133089	2H1	2	50 - 22	H133640	6J10	3	170 - 43
H132541	5C2	1	120 - 19	H133092	2H1	5	50 - 22	H133640	6J12	20	170 - 45
H132541	5C4	14	120 - 21	H133094	2H2	1	50 - 23	H133641	6J15	2	170 - 49
H132542	6F23	23	130 - 27	H133096	2H1	3	50 - 22	H133642	6J12	2	170 - 45
H132554	2G23	11	50 - 19	H133097	2H1	3	50 - 22	H133643	6J12	14	170 - 45
H132597	2C16	8	40 - 31	H133098	2H1	3	50 - 22	H133645	2D6	11	40 - 45
H132618	2G21	13	50 - 17	H133106	3C4	15	60 - 21	H133645	2D22	2	40 - 61
H132662	4E11	13	90 - 79	H133106	4E5	15	90 - 73	H133659	2I15	1	50 - 61
H132662	4F2	24	90 - 95	H133143	6E24	14	130 - 3	H133659	2I19	22	50 - 65
H132662	6F25	14	130 - 29	H133152	3I2	19	80 - 19	H133659	2I21	1	50 - 67
H132666	2D23	..	40 - 62	H133165	2G19	22	50 - 15	H133659	3C8	19	60 - 25
H132666	6F23	32	130 - 27	H133178	2D22	15	40 - 61	H133659	3F8	5	70 - 51
H132686	2D23	7	40 - 62	H133178	6G10	14	130 - 39	H133660	2G17	7	50 - 13
H132687	2D23	3	40 - 62	H133199	5H10	4	121 - 57	H133660	4C20	7	90 - 37
H132708	6D24	3	125 - 67	H133199	5H12	4	121 - 59	H133662	2G17	13	50 - 13
H132793	3H14	33	80 - 7	H133202	2G23	14	50 - 19	H133662	4C20	13	90 - 37
H132795	2B15	13	40 - 5	H133205	3C2	14	60 - 19	H133665	4B11	5	90 - 3
H132795	2C18	18	40 - 33	H133205	3C4	1	60 - 21	H133666	4B11	7	90 - 3
H132800	2C20	19	40 - 35	H133205	4E3	14	90 - 71	H133667	5H2	7	121 - 49
H132800	2F11	4	40 - 99	H133205	4E5	1	90 - 73	H133669	2J10	16	50 - 81
H132800	6H15	13	160 - 5	H133208	4C22	11	90 - 39	H133671	2J10	13	50 - 81
H132811	6J12	12	170 - 45	H133208	4F14	11	110 - 7	H133675	3H4	14	70 - 99
H132822	3I24	12	80 - 41	H133210	4C22	7	90 - 39	H133686	6E7	29	125 - 75
H132822	3J2	16	80 - 43	H133210	4F14	7	110 - 7	H133688	3G10	10	70 - 81
H132825	4F20	8	110 - 13	H133219	4B19	17	90 - 11	H133690	3G10	12	70 - 81
H132853	3F25	3	70 - 70	H133229	2G9	10	50 - 5	H133690	6H5	31	130 - 59
H132892	2G19	12	50 - 15	H133229	2H4	6	50 - 25	H133751	1B17	9	20 - 11
H132892	2G21	3	50 - 17	H133230	2G9	12	50 - 5	H133768	5E4	5	120 - 71
H132893	2G19	12	50 - 15	H133230	2H4	8	50 - 25	H133768	5E6	5	120 - 73
H132893	2G21	3	50 - 17	H133244	2G9	14	50 - 5	H133768	5E8	5	120 - 75
H132894	2G19	12	50 - 15	H133246	2G9	14	50 - 5	H133789	5E4	9	120 - 71
H132894	2G21	3	50 - 17	H133287	5E2	4	120 - 69	H133789	5E6	9	120 - 73
H132895	3C2	7	60 - 19	H133288	5E2	2	120 - 69	H133789	5E8	9	120 - 75
H132895	4E3	7	90 - 71	H133320	3C15	2	60 - 32	H133843	4G4	4	110 - 21
H132897	3C2	27	60 - 19	H133327	4C4	16	90 - 21	H133851	2F3	3	40 - 91
H132897	4E3	27	90 - 71	H133351	3B18	27	60 - 11	H133852	2F3	1	40 - 91
H132899	3C2	20	60 - 19	H133384	2B19	5	40 - 9	H133981	2F3	6	40 - 91
H132899	4E3	20	90 - 71	H133391	4B15	2	90 - 7	H133989	4G13	3	110 - 31
H132899	4F4	16	90 - 97	H133413	4B19	10	90 - 11	H133990	4G13	4	110 - 31
H132900	2B18	1	40 - 8	H133414	4B19	5	90 - 11	H133998	2D19	6	40 - 58
H132900	2D23	5	40 - 62	H133415	4B19	12	90 - 11	H134000	2D19	3	40 - 58
H132906	6D20	6	125 - 63	H133470	3G8	8	70 - 79	H134002	4G17	3	110 - 35
H132922	4F2	11	90 - 95	H133488	6J10	4	170 - 43	H134025	5C23	25	120 - 41
H132926	3H12	20	80 - 5	H133489	5H8	27	121 - 55	H134028	5C21	10	120 - 39
H132937	5H18	11	121 - 65	H133514	4C4	10	90 - 21	H134029	5C21	1	120 - 39
H132938	5H18	16	121 - 65	H133514	4C6	10	90 - 23	H134055	6E9	7	125 - 77
H132949	3J6	10	80 - 47	H133541	6E7	2	125 - 75	H134055	6E11	7	125 - 79
H132970	3F6	19	70 - 49	H133579	6G25	15	130 - 53	H134065	6E7	31	125 - 75
H132986	4G21	8	110 - 39	H133584	6F23	1	130 - 27	H134068	6E7	6	125 - 75

## NUMERICAL INDEX - CONTINUED

PART NO.	GRID	KEY	PAGE	PART NO.	GRID	KEY	PAGE	PART NO.	GRID	KEY	PAGE
H134072	3H14	30	80 - 7	H134420	5B21	8	120 - 13	H134620	6I18	5	170 - 27
H134073	3H18	18	80 - 11	H134424	3C6	23	60 - 23	H134623	3C4	45	60 - 21
H134081	3H24	14	80 - 17	H134424	3E4	14	70 - 23	H134623	4E5	45	90 - 73
H134085	4F22	13	110 - 15	H134424	3E8	19	70 - 27	H134624	3C4	44	60 - 21
H134085	4F24	13	110 - 17	H134425	3C6	25	60 - 23	H134624	4E5	44	90 - 73
H134085	4G2	13	110 - 19	H134425	3D9	8	70 - 4	H134654	5B13	6	120 - 5
H134087	4F18	21	110 - 11	H134425	3D10	8	70 - 5	H134654	5B15	20	120 - 7
H134087	4G25	16	110 - 43	H134425	3E4	9	70 - 23	H134654	5B17	20	120 - 9
H134088	4H4	10	110 - 47	H134425	3E8	17	70 - 27	H134655	4F2	12	90 - 95
H134102	3H20	3	80 - 13	H134426	3C6	21	60 - 23	H134667	3I12	6	80 - 29
H134102	3H22	3	80 - 15	H134427	3C6	22	60 - 23	H134667	6J15	8	170 - 49
H134105	3H20	23	80 - 13	H134427	3D9	5	70 - 4	H134671	4B19	9	90 - 11
H134106	3H18	2	80 - 11	H134427	3D10	5	70 - 5	H134681	5D4	15	120 - 47
H134107	3H20	21	80 - 13	H134427	3E4	12	70 - 23	H134690	1F13	20	30 - 13
H134108	3H20	4	80 - 13	H134427	3E8	18	70 - 27	H134723	4C14	11A	90 - 31
H134114	2G5	3	50 - 1	H134428	3C8	7	60 - 25	H134724	4C14	10	90 - 31
H134114	2G6	8	50 - 2	H134428	3E4	20	70 - 23	H134733	4F22	17A	110 - 15
H134114	2G7	2	50 - 3	H134428	3E8	24	70 - 27	H134734	4G19	4	110 - 37
H134117	1F13	25	30 - 13	H134429	3D18	15	70 - 13	H134735	4G19	3	110 - 37
H134117	1F15	5	30 - 15	H134429	3E6	7	70 - 25	H134738	3H18	9	80 - 11
H134118	5D14	11	120 - 57	H134434	3C8	11	60 - 25	H134760	5H6	16	121 - 53
H134118	5D22	19	120 - 65	H134434	3E4	16	70 - 23	H134760	6F8	13	130 - 11
H134140	4G4	16	110 - 21	H134434	3E8	22	70 - 27	H134760	6F19	4	130 - 23
H134143	1B13	7	20 - 7	H134437	6H19	4	170 - 3	H134767	2G17	2	50 - 13
H134144	1B13	10	20 - 7	H134442	2G5	..	50 - 1	H134767	4C20	2	90 - 37
H134151	5B13	16	120 - 5	H134442	2G7	..	50 - 3	H134767	6J12	21	170 - 45
H134154	5B13	14	120 - 5	H134442	6J13	3	170 - 46	H134773	5G8	2	121 - 31
H134157	5B13	3	120 - 5	H134444	2G9	13	50 - 5	H134816	5C2	8	120 - 19
H134160	5B13	1	120 - 5	H134444	2H4	7	50 - 25	H134826	6D24	22	125 - 67
H134163	5B13	15	120 - 5	H134464	3H20	9	80 - 13	H134853	5B11	10	120 - 3
H134164	5B13	18	120 - 5	H134470	3C6	16	60 - 23	H134856	1B18	3	20 - 12
H134164	5B15	18	120 - 7	H134474	2E16	4	40 - 79	H134910	3H16	3	80 - 9
H134165	5B13	9	120 - 5	H134475	2E16	5	40 - 79	H134930	3H18	10	80 - 11
H134165	5B15	9	120 - 7	H134476	2E16	7	40 - 79	H134962	6E9	12	125 - 77
H134168	5B9	4	120 - 1	H134488	4C22	5	90 - 39	H134963	6E9	13	125 - 77
H134169	2B25	4	40 - 15	H134488	4F14	5	110 - 7	H134996	5D2	17	120 - 45
H134213	5C25	8	120 - 43	H134489	4C22	4	90 - 39	H135036	5B21	13	120 - 13
H134214	1B9	25	20 - 3	H134489	4F14	4	110 - 7	H135072	2D6	8	40 - 45
H134214	1B13	22	20 - 7	H134506	3H20	12	80 - 13	H135072	2D22	4	40 - 61
H134214	2E3	12	40 - 66	H134520	3H16	11	80 - 9	H135112	2G10	5	50 - 6
H134216	6H19	3	170 - 3	H134525	3H16	5	80 - 9	H135147	3H18	16	80 - 11
H134286	6F6	1	130 - 9	H134527	3H16	16	80 - 9	H135154	3G12	10	70 - 83
H134287	6F6	2	130 - 9	H134528	1B9	41	20 - 3	H135155	3C6	12	60 - 23
H134297	1F3	10	30 - 3	H134531	2H4	11	50 - 25	H135156	3C12	6	60 - 29
H134298	1F3	9	30 - 3	H134532	3C6	35	60 - 23	H135173	2G23	4	50 - 19
H134299	1F3	7	30 - 3	H134535	4B21	5	90 - 13	H135192	6G6	24	130 - 35
H134300	1F10	2	30 - 10	H134535	6I4	5	170 - 13	H135193	6G6	26	130 - 35
H134306	3J8	11	80 - 49	H134535	6J10	9	170 - 43	H135211	2H8	14	50 - 29
H134308	5C25	29	120 - 43	H134536	4C14	12	90 - 31	H135213	2H8	13	50 - 29
H134308	6D22	1	125 - 65	H134544	4C10	11	90 - 27	H135214	2H8	12	50 - 29
H134308	6E24	20	130 - 3	H134544	4C12	14	90 - 29	H135215	2H8	1	50 - 29
H134314	6D22	2	125 - 65	H134547	3C16	3	60 - 33	H135224	2E6	3	40 - 69
H134317	6D22	4	125 - 65	H134547	3C17	4	60 - 34	H135235	6D25	10	125 - 68
H134317	6E1	2	125 - 69	H134548	3C16	8	60 - 33	H135245	3H20	22	80 - 13
H134335	5B11	11	120 - 3	H134548	3C17	9	60 - 34	H135245	3H20	24	80 - 13
H134338	5B11	17	120 - 3	H134549	3C16	2	60 - 33	H135286	6F17	5	130 - 21
H134339	5B11	15	120 - 3	H134557	3C21	7	60 - 38	H135287	6F17	9	130 - 21
H134343	3B14	8	60 - 7	H134558	3C6	7	60 - 23	H135292	5G10	44	121 - 33
H134353	3C4	23	60 - 21	H134558	3D18	19	70 - 13	H135309	6E7	22	125 - 75
H134353	4E5	23	90 - 73	H134558	3E6	11	70 - 25	H135392	3H20	18	80 - 13
H134367	2C14	26	40 - 29	H134600	2G5	2	50 - 1	H135393	3H20	14	80 - 13
H134396	1F3	12	30 - 3	H134600	2G6	7	50 - 2	H135395	5H6	11	121 - 53
H134403	3H14	2	80 - 7	H134600	2G7	1	50 - 3	H135396	5C25	13	120 - 43
H134417	2C20	24	40 - 35	H134603	6D20	27	125 - 63	H135405	6J12	17	170 - 45
H134417	4H14	2	110 - 57	H134603	6D25	8	125 - 68	H135407	3D24	1	70 - 19
H134417	6H15	10	160 - 5	H134605	6D20	25	125 - 63	H135407	4F22	9	110 - 15
H134418	5B21	7	120 - 13	H134606	6D25	7	125 - 68	H135409	4E7	31	90 - 75

## NUMERICAL INDEX - CONTINUED

PART NO.	GRID	KEY	PAGE	PART NO.	GRID	KEY	PAGE	PART NO.	GRID	KEY	PAGE
H135410	5H4	2	121 - 51	H135964	6H13	11	160 - 3	H136590	4B19	20	90 - 11
H135410	5H8	13	121 - 55	H135965	3I24	8	80 - 41	H136603	4E13	25	90 - 81
H135422	5C21	16	120 - 39	H135965	3J2	11	80 - 43	H136609	5D10	10	120 - 53
H135423	5H4	37	121 - 51	H135974	3E10	16	70 - 29	H136611	5D10	11	120 - 53
H135452	6F17	14	130 - 21	H136011	4C4	21	90 - 21	H137188	5D22	20	120 - 65
H135453	6F17	17	130 - 21	H136011	4C6	16	90 - 23	H137201	6J16	1	170 - 50
H135454	6F17	2	130 - 21	H136012	4C4	18	90 - 21	H137202	6J16	2	170 - 50
H135475	5C23	18	120 - 41	H136013	4G4	3	110 - 21	H137203	5B21	11	120 - 13
H135476	4G21	6	110 - 39	H136013	6B11	21	125 - 3	H137203	5B21	26	120 - 13
H135494	6C7	18	125 - 25	H136014	3H20	26	80 - 13	H137203	5C2	15	120 - 19
H135497	2H12	27	50 - 33	H136014	3I6	17	80 - 23	H137204	5B21	6	120 - 13
H135497	2H13	27	50 - 34	H136015	3H20	25	80 - 13	H137204	5B21	27	120 - 13
H135499	2H6	18	50 - 27	H136015	3I6	18	80 - 23	H137204	5C2	12	120 - 19
H135500	2H6	16	50 - 27	H136015	4G4	6	110 - 21	H137215	5C21	21	120 - 39
H135500	2H18	12	50 - 39	H136018	3B18	22	60 - 11	H137215	5C21	22	120 - 39
H135500	2H19	1	50 - 40	H136054	6D24	8	125 - 67	H137225	3G12	1	70 - 83
H135503	2H8	7	50 - 29	H136055	6D24	8	125 - 67	H137225	6G10	21A	130 - 39
H135504	2H8	8	50 - 29	H136056	4B19	19	90 - 11	H137227	6G10	23	130 - 39
H135505	2H12	1	50 - 33	H136095	6F10	1	130 - 13	H137261	3H20	13	80 - 13
H135508	2H18	20	50 - 39	H136109	4C10	16	90 - 27	H137264	5H8	21	121 - 55
H135509	2H18	14	50 - 39	H136109	4C12	17	90 - 29	H137264	6H20	4	170 - 4
H135512	5C6	13	120 - 23	H136110	2F8	6	40 - 96	H137266	5H8	7	121 - 55
H135512	5H6	10	121 - 53	H136110	4C10	14	90 - 27	H137267	3H18	19	80 - 11
H135538	6F10	13	130 - 13	H136110	4C12	16	90 - 29	H137276	6F4	10	130 - 7
H135542	5D10	8	120 - 53	H136115	3C17	2	60 - 34	H137326	4E7	33	90 - 75
H135544	5D10	7	120 - 53	H136126	4C4	25	90 - 21	H137328	3C4	54	60 - 21
H135566	3G4	12	70 - 75	H136126	4C6	20	90 - 23	H137328	4E5	54	90 - 73
H135567	2H8	11	50 - 29	H136127	4C4	23	90 - 21	H137329	5B21	25	120 - 13
H135569	3G4	1	70 - 75	H136127	4C6	18	90 - 23	H137333	2G24	6A	50 - 20
H135570	2H12	9	50 - 33	H136143	4C2	1	90 - 19	H137334	2G24	2A	50 - 20
H135570	2H13	9	50 - 34	H136144	4G21	1	110 - 39	H137356	6J12	5	170 - 45
H135571	2H18	5	50 - 39	H136145	2G24	6A	50 - 20	H137360	4C4	2	90 - 21
H135590	6F21	12	130 - 25	H136145	2G24	6B	50 - 20	H137360	4C6	2	90 - 23
H135599	5H8	25	121 - 55	H136158	4B23	20	90 - 15	H137389	5D2	17	120 - 45
H135608	3C6	15	60 - 23	H136158	6J15	3	170 - 49	H137417	4D9	4	90 - 51
H135610	3H18	20	80 - 11	H136163	2H16	27	50 - 37	H137418	4D9	9	90 - 51
H135614	4B15	1	90 - 7	H136179	6B23	8	125 - 15	H137420	4D9	11	90 - 51
H135615	4B15	6	90 - 7	H136179	6C4	8	125 - 21	H137421	4D9	10	90 - 51
H135618	3D18	17	70 - 13	H136179	6C13	11	125 - 31	H137426	6J15	1	170 - 49
H135618	3E6	9	70 - 25	H136186	6F14	10	130 - 17	H137447	4C14	9	90 - 31
H135619	3C6	31	60 - 23	H136186	6F15	13	130 - 18	H137523	3D8	6	70 - 3
H135641	3E18	2	70 - 37	H136209	6F17	8	130 - 21	H137534	3J6	12	80 - 47
H135641	3E20	4	70 - 39	H136257	6C17	5	125 - 35	H137538	2B15	18	40 - 5
H135641	3E22	4	70 - 41	H136257	6C19	5	125 - 37	H137539	2B15	18	40 - 5
H135713	6F8	6	130 - 11	H136263	6D4	1	125 - 47	H137572	3E2	14	70 - 21
H135772	2F11	9	40 - 99	H136279	6C25	8	125 - 43	H137585	6D22	9	125 - 65
H135772	4H10	6	110 - 53	H136280	6C21	1	125 - 39	H137593	3E18	17	70 - 37
H135773	2F11	10	40 - 99	H136299	6C25	6	125 - 43	H137596	3E20	21	70 - 39
H135776	3F16	26	70 - 60	H136300	6C25	5	125 - 43	H137606	6F17	21	130 - 21
H135776	3F24	16	70 - 69	H136304	6H8	5	130 - 63	H137657	2E20	18	40 - 83
H135777	3F18	27	70 - 62	H136306	6H8	4	130 - 63	H137667	3C4	49	60 - 21
H135777	3F20	23	70 - 65	H136334	3C20	11	60 - 37	H137667	4E5	49	90 - 73
H135777	3F24	15	70 - 69	H136335	3C20	7	60 - 37	H137672	2H2	7	50 - 23
H135777	3G2	15	70 - 73	H136336	3E4	37	70 - 23	H137729	6D14	14	125 - 57
H135844	6C25	1	125 - 43	H136336	4F18	27	110 - 11	H137815	5H8	36	121 - 55
H135844	6D2	10	125 - 45	H136541	4E11	16	90 - 79	H137817	5H8	34	121 - 55
H135887	4B19	11	90 - 11	H136541	6F25	28	130 - 29	H137823	4C24	12	90 - 41
H135891	4H14	30	110 - 57	H136565	1F13	1	30 - 13	H137839	4B21	3	90 - 13
H135891	5B19	..	120 - 11	H136567	1F13	4	30 - 13	H137840	4B21	6	90 - 13
H135891	5E19	18	120 - 87	H136569	1F13	3	30 - 13	H137854	4D23	1	90 - 65
H135897	3F24	7	70 - 69	H136572	6G6	25	130 - 35	H137855	4D23	6	90 - 65
H135898	3F24	20	70 - 69	H136573	6G6	27	130 - 35	H137856	4D23	4	90 - 65
H135898	3G2	20	70 - 73	H136577	1F13	20	30 - 13	H137857	4D23	5	90 - 65
H135942	2G21	12	50 - 17	H136577	3H18	26	80 - 11	H137858	4D23	3	90 - 65
H135943	2G19	28	50 - 15	H136582	6D20	30	125 - 63	H137859	4D11	5	90 - 53
H135944	2G21	9	50 - 17	H136583	4B23	1	90 - 15	H137859	4D23	5	90 - 65
H135964	3E15	11	70 - 34	H136589	4B19	15	90 - 11	H137865	6D6	13	125 - 49

## NUMERICAL INDEX - CONTINUED

PART NO.	GRID	KEY	PAGE	PART NO.	GRID	KEY	PAGE	PART NO.	GRID	KEY	PAGE
H137866	6D6	8	125 - 49	H139132	5H10	7	121 - 57	H140184	2E22	6	40 - 85
H137869	6H5	12	130 - 59	H139132	5H12	7	121 - 59	H140184	2E22	7	40 - 85
H137916	6F14	6	130 - 17	H139214	2B15	11	40 - 5	H140187	2E22	17	40 - 85
H137916	6F15	6	130 - 18	H139224	3H14	38	80 - 7	H140189	2E24	14	40 - 87
H137919	6F14	12	130 - 17	H139225	3H14	22	80 - 7	H140193	2E24	11	40 - 87
H137919	6F15	8	130 - 18	H139346	6J12	16	170 - 45	H140195	4F12	32	110 - 5
H137919	6F15	9	130 - 18	H139389	6J12	7	170 - 45	H140212	4F6	3	90 - 99
H137939	4F22	24	110 - 15	H139392	6J10	6	170 - 43	H140213	4F6	1	90 - 99
H137939	4F24	24	110 - 17	H139393	6J10	16	170 - 43	H140225	3H20	19	80 - 13
H137939	4G2	24	110 - 19	H139448	3F4	9	70 - 47	H140227	2G21	13	50 - 17
H137939	6H15	8	160 - 5	H139487	3C16	19	60 - 33	H140247	5D10	3	120 - 53
H137939	6J12	18	170 - 45	H139512	3F24	14	70 - 69	H140248	2B15	9	40 - 5
H137955	3C16	16	60 - 33	H139512	3G2	14	70 - 73	H140248	2B25	3	40 - 15
H138075	1B17	3	20 - 11	H139513	3G2	7	70 - 73	H140248	2E4	3	40 - 67
H138085	5G12	1	121 - 35	H139515	3F24	7	70 - 69	H140298	3D9	7	70 - 4
H138200	2D16	33	40 - 55	H139515	3F24	14	70 - 69	H140298	3D9	10	70 - 4
H138220	4G4	12	110 - 21	H139515	3F24	24	70 - 69	H140298	3D10	7	70 - 5
H138297	4B21	4	90 - 13	H139515	3G2	7	70 - 73	H140298	3D10	10	70 - 5
H138303	6C17	13	125 - 35	H139515	3G2	14	70 - 73	H140298	3E4	13	70 - 23
H138363	2E20	10	40 - 83	H139515	3G2	24	70 - 73	H140298	3E8	20	70 - 27
H138364	2E20	10	40 - 83	H139557	2D2	7	40 - 41	H140300	3I20	16	80 - 37
H138411	3C8	9	60 - 25	H139558	2D2	8	40 - 41	H140380	1B11	12	20 - 5
H138411	3E4	15	70 - 23	H139600	6B13	4	125 - 5	H140382	3C19	10	60 - 36
H138411	3E8	21	70 - 27	H139607	6J12	24	170 - 45	H140382	3C20	10	60 - 37
H138423	3E18	13	70 - 37	H139670	6C17	10	125 - 35	H140383	3C19	10	60 - 36
H138423	3E20	15	70 - 39	H139709	5G16	1	121 - 39	H140396	4D21	17	90 - 63
H138423	3E22	6	70 - 41	H139807	3C19	9	60 - 36	H140397	5H10	3	121 - 57
H138423	6J12	13	170 - 45	H139807	3C20	9	60 - 37	H140397	5H12	3	121 - 59
H138435	4F16	12	110 - 9	H139867	2F4	7	40 - 92	H140404	5H8	21	121 - 55
H138435	4H6	23	110 - 49	H139922	5C10	31	120 - 27	H140404	6H20	4	170 - 4
H138435	4H12	14	110 - 55	H139925	5C12	14	120 - 29	H140467	6E7	25	125 - 75
H138435	4H14	4	110 - 57	H139948	6J10	14	170 - 43	H140467	6E9	14	125 - 77
H138435	5C8	4	120 - 25	H139948	6J12	15	170 - 45	H140467	6E11	16	125 - 79
H138435	5E13	15	120 - 81	H139963	5C6	18	120 - 23	H140470	5C8	15	120 - 25
H138435	5H8	29	121 - 55	H139963	5C8	3	120 - 25	H140497	1F3	24	30 - 3
H138435	5H20	29	121 - 67	H139963	6H21	3	170 - 5	H140573	1B17	12A	20 - 11
H138435	6B21	8	125 - 13	H139964	6D10	7	125 - 53	H140593	5E13	6	120 - 81
H138435	6C7	27	125 - 25	H139972	6F25	35	130 - 29	H140595	3B10	5	60 - 3
H138435	6C9	1	125 - 27	H139988	6C21	8	125 - 39	H140617	5H20	16	121 - 67
H138435	6C9	12	125 - 27	H139988	6C23	16	125 - 41	H140619	6D12	28	125 - 55
H138435	6D20	1	125 - 63	H140043	5B19	2	120 - 11	H140619	6D18	18	125 - 61
H138435	6E7	36	125 - 75	H140043	5B23	2	120 - 15	H140620	3B10	7	60 - 3
H138435	6E9	1	125 - 77	H140043	5G12	16	121 - 35	H140627	2B19	3	40 - 9
H138435	6E11	1	125 - 79	H140076	1B18	10	20 - 12	H140628	2B19	2	40 - 9
H138435	6H2	1	130 - 55	H140083	5F4	14	121 - 3	H140628	2D8	6	40 - 47
H138435	6H5	38	130 - 59	H140096	6F10	15	130 - 13	H140645	3H12	2	80 - 5
H138452	3I6	14	80 - 23	H140121	3H16	22	80 - 9	H140664	2B13	16	40 - 3
H138453	3I6	11	80 - 23	H140122	4F22	10	110 - 15	H140664	2C20	9	40 - 35
H138592	6E24	15	130 - 3	H140122	4F24	10	110 - 17	H140691	3B10	21	60 - 3
H138607	2G5	1	50 - 1	H140122	4G2	10	110 - 19	H140692	3B10	11	60 - 3
H138607	2G6	4	50 - 2	H140134	5C10	29	120 - 27	H140694	3B10	27	60 - 3
H138607	2G7	5	50 - 3	H140135	3B19	8	60 - 12	H140695	3B10	28	60 - 3
H138753	4G17	28	110 - 35	H140149	5C10	30	120 - 27	H140696	3B10	29	60 - 3
H138930	6G10	19	130 - 39	H140149	6E19	4	125 - 87	H140708	3B10	12	60 - 3
H138983	5H20	12	121 - 67	H140156	5C8	1	120 - 25	H140709	2G5	..	50 - 1
H138989	6C9	15	125 - 27	H140159	5C6	11	120 - 23	H140709	3D2	..	60 - 43
H138989	6J10	2	170 - 43	H140159	5H20	7	121 - 67	H140709	6J13	2	170 - 46
H138989	6J12	8	170 - 45	H140160	4G25	7	110 - 43	H140709	6J13	4	170 - 46
H138989	6J15	7	170 - 49	H140160	5G8	26	121 - 31	H140710	3D2	..	60 - 43
H139005	6D4	2	125 - 47	H140160	5H16	12	121 - 63	H140712	3B10	20	60 - 3
H139006	6C25	7	125 - 43	H140160	6H20	1	170 - 4	H140713	3B10	30	60 - 3
H139006	6D6	5	125 - 49	H140161	6C17	4	125 - 35	H140715	1B9	11	20 - 3
H139036	6J10	2	170 - 43	H140161	6C19	4	125 - 37	H140715	3B10	19	60 - 3
H139036	6J12	8	170 - 45	H140162	6C17	2	125 - 35	H140746	3B10	8	60 - 3
H139056	3I24	5	80 - 41	H140162	6C19	2	125 - 37	H140747	3B10	9	60 - 3
H139056	6F25	41	130 - 29	H140180	2I13	11	50 - 59	H140836	4C22	19	90 - 39
H139098	5B21	36	120 - 13	H140180	2I15	9	50 - 61	H140836	4F14	19	110 - 7



# 1L6

CTS COMBINE (NORTH AMERICAN VERSION)

## NUMERICAL INDEX - CONTINUED

PART NO.	GRID	KEY	PAGE	PART NO.	GRID	KEY	PAGE	PART NO.	GRID	KEY	PAGE
H140848	1B13	19	20 - 7	H141735	5G22	11	121 - 45	H143593	2B25	33	40 - 15
H140858	3J6	4	80 - 47	H141770	3I18	5	80 - 35	H143610	5C2	4	120 - 19
H140866	3H12	21	80 - 5	H141771	3I18	..	80 - 35	H143679	2D10	16	40 - 49
H140872	3I4	5	80 - 21	H141772	3I18	1B	80 - 35	H143679	6C15	3	125 - 33
H140881	3I4	1	80 - 21	H141813	3I22	2	80 - 39	H143700	5C16	15	120 - 33
H140912	2F1	6	40 - 89	H141835	4G4	5	110 - 21	H143700	6H20	7	170 - 4
H140913	2F1	3	40 - 89	H141836	3H18	15	80 - 11	H143714	6C25	12	125 - 43
H140914	2F1	5	40 - 89	H141869	3B16	11	60 - 9	H143731	5C10	21	120 - 27
H140936	5B21	31	120 - 13	H141946	3C4	53	60 - 21	H143735	6E7	9	125 - 75
H140944	5C12	5	120 - 29	H141946	4E5	53	90 - 73	H143743	6C21	11	125 - 39
H141000	6C7	4	125 - 25	H141955	2B19	6	40 - 9	H143744	6C21	15	125 - 39
H141033	6F10	11	130 - 13	H141975	3I20	13	80 - 37	H143745	5F12	11	121 - 11
H141044	6F21	10	130 - 25	H141978	3J10	19	80 - 51	H143745	5H20	8	121 - 67
H141069	3B10	16	60 - 3	H141979	3J10	8	80 - 51	H143757	1B18	10	20 - 12
H141106	6C21	5	125 - 39	H142030	2G19	8	50 - 15	H143757	4E11	24	90 - 79
H141107	6C21	4	125 - 39	H142031	2G19	37	50 - 15	H143761	1B18	8	20 - 12
H141108	6C21	16	125 - 39	H142035	3I2	18	80 - 19	H143762	6C21	19	125 - 39
H141123	3I2	3	80 - 19	H142044	2G15	18	50 - 11	H143852	6C7	30	125 - 25
H141123	6F25	10	130 - 29	H142107	3C16	5	60 - 33	H143891	2G13	12	50 - 9
H141123	6H3	14	130 - 56	H142107	3C17	6	60 - 34	H143893	2H1	9	50 - 22
H141127	2C22	1	40 - 37	H142138	5E13	18	120 - 81	H143894	2H1	9	50 - 22
H141127	2C22	2	40 - 37	H142141	6B23	13	125 - 15	H143918	2B25	10	40 - 15
H141138	6B23	11	125 - 15	H142141	6B23	23	125 - 15	H143918	2B25	15	40 - 15
H141161	6C7	31	125 - 25	H142143	5H2	21	121 - 49	H143918	2B25	17	40 - 15
H141167	6F8	15	130 - 11	H142143	5H4	23	121 - 51	H143918	2B25	20	40 - 15
H141167	6F19	10	130 - 23	H142183	3F13	22	70 - 57	H143918	2B25	22	40 - 15
H141167	6H19	5	170 - 3	H142188	5C21	6	120 - 39	H143918	2B25	24	40 - 15
H141282	5E13	3	120 - 81	H142189	5C21	5	120 - 39	H143918	2B25	27	40 - 15
H141289	4D7	12	90 - 49	H142861	4G6	9	110 - 23	H143918	2B25	39	40 - 15
H141292	4B11	15	90 - 3	H142869	4G8	15	110 - 25	H143920	6B11	1A	125 - 3
H141325	2C20	12	40 - 35	H142870	4G8	24	110 - 25	H143921	6B11	6A	125 - 3
H141325	2C20	21	40 - 35	H143311	5F10	10	121 - 9	H143948	6C23	4	125 - 41
H141325	2C24	17	40 - 39	H143317	2F8	1	40 - 96	H143949	6C23	10	125 - 41
H141327	3C4	9	60 - 21	H143331	3I18	7	80 - 35	H143950	6C23	9	125 - 41
H141327	4E5	9	90 - 73	H143332	6B13	7	125 - 5	H143951	6C23	14	125 - 41
H141388	6B25	15	125 - 17	H143332	6B15	3	125 - 7	H143952	6C23	12	125 - 41
H141399	5F10	1	121 - 9	H143332	6B17	3	125 - 9	H143955	6C19	12	125 - 37
H141399	5F16	2	121 - 15	H143332	6B19	3	125 - 11	H144029	3J6	7	80 - 47
H141406	2C22	1	40 - 37	H143351	4G13	15	110 - 31	H144032	2F3	18	40 - 91
H141406	2C22	2	40 - 37	H143353	4G13	23	110 - 31	H144034	3H22	8	80 - 15
H141406	2D16	11	40 - 55	H143354	4G13	12	110 - 31	H144037	5B19	24A	120 - 11
H141409	2E3	2	40 - 66	H143358	4H2	9	110 - 45	H144038	5G22	5	121 - 45
H141410	6G8	5	130 - 37	H143376	4H2	1	110 - 45	H144052	4G13	10	110 - 31
H141411	2D4	1	40 - 43	H143385	5G2	3	121 - 25	H144063	4G4	9	110 - 21
H141411	2E25	6	40 - 88	H143385	5G10	3	121 - 33	H144077	3H22	6	80 - 15
H141412	1F3	26	30 - 3	H143404	5F12	8	121 - 11	H144094	2E2	5	40 - 65
H141416	5D14	1A	120 - 57	H143407	4G4	20	110 - 21	H144095	2E2	6	40 - 65
H141417	5H20	35	121 - 67	H143408	2G21	12	50 - 17	H144114	2D24	2	40 - 63
H141417	6H20	3	170 - 4	H143420	1F3	16	30 - 3	H144115	2D24	2	40 - 63
H141422	3B10	34	60 - 3	H143439	4D23	8	90 - 65	H144122	5G6	9	121 - 29
H141429	5F12	20	121 - 11	H143445	2G15	5	50 - 11	H144139	2D24	2	40 - 63
H141429	6H20	6	170 - 4	H143453	3I24	13	80 - 41	H144157	6D2	4	125 - 45
H141445	5F10	4	121 - 9	H143453	3J2	17	80 - 43	H144158	6D2	5	125 - 45
H141447	5F10	14	121 - 9	H143454	3I24	14	80 - 41	H144161	6D2	2	125 - 45
H141448	5F10	25	121 - 9	H143454	3J2	18	80 - 43	H144163	6D2	7	125 - 45
H141449	6G17	1A	130 - 47	H143456	4G13	10	110 - 31	H144181	3I14	1	80 - 31
H141449	6G19	1A	130 - 49	H143460	4B25	8	90 - 17	H144184	2G13	11	50 - 9
H141450	6G17	13	130 - 47	H143465	3H16	14	80 - 9	H144201	4G17	21	110 - 35
H141450	6G19	17	130 - 49	H143489	4G19	17	110 - 37	H144242	2E18	3	40 - 81
H141450	6G21	17	130 - 49B	H143495	5C18	5	120 - 35	H144244	4D21	10	90 - 63
H141500	4G19	7	110 - 37	H143542	5E13	17	120 - 81	H144252	6J17	2	170 - 51
H141547	6D24	28	125 - 67	H143543	5E13	2	120 - 81	H144253	6J12	3	170 - 45
H141549	4G2	35	110 - 19	H143562	1B11	17	20 - 5	H144254	6J10	15	170 - 43
H141549	6D24	33	125 - 67	H143574	5E15	17	120 - 83	H144255	2C18	16	40 - 33
H141558	2H4	3	50 - 25	H143584	3H10	2	80 - 3	H144256	2D19	12	40 - 58
H141588	5G11	4	121 - 34	H143585	3H10	1	80 - 3	H144260	1D24	8	26 - 52
H141659	3I6	15	80 - 23	H143586	5C18	1	120 - 35	H144260	1F15	9	30 - 15

**NUMERICAL INDEX - CONTINUED**

PART NO.	GRID	KEY	PAGE	PART NO.	GRID	KEY	PAGE	PART NO.	GRID	KEY	PAGE
H144264	5E15	5	120 - 83	H145158	6H19	2	170 - 3	H145893	4B19	11	90 - 11
H144265	5E15	4	120 - 83	H145173	2G21	1	50 - 17	H145899	5D4	12	120 - 47
H144266	5E15	7	120 - 83	H145221	2C16	2	40 - 31	H145900	5D4	18	120 - 47
H144267	5E15	6	120 - 83	H145243	5G22	11	121 - 45	H145919	6C7	15	125 - 25
H144269	3B12	19	60 - 5	H145247	2I11	2	50 - 57	H145920	6C13	20	125 - 31
H144270	3B12	13	60 - 5	H145247	2J4	9	50 - 75	H145921	6C13	21	125 - 31
H144274	4D7	13	90 - 49	H145247	2J10	8	50 - 81	H145922	6C13	19	125 - 31
H144279	6J17	1	170 - 51	H145257	5B25	5	120 - 17	H145943	5E21	21	120 - 89
H144288	6B11	26	125 - 3	H145261	4E13	19	90 - 81	H145944	5F4	24	121 - 3
H144288	6B23	17	125 - 15	H145264	2C18	15	40 - 33	H145949	5D4	7	120 - 47
H144291	2D16	35	40 - 55	H145275	6B13	1	125 - 5	H145950	5D4	5	120 - 47
H144293	2I5	..	50 - 51	H145275	6B21	1	125 - 13	H145955	5G22	1	121 - 45
H144293	3C18	3	60 - 35	H145284	2B25	1	40 - 15	H145970	5B19	2	120 - 11
H144336	2F1	9	40 - 89	H145315	5F16	21	121 - 15	H145970	5G12	16	121 - 35
H144342	3G18	14	70 - 89	H145316	6F17	5	130 - 21	H145982	4B21	11	90 - 13
H144383	5F12	23	121 - 11	H145317	6F17	9	130 - 21	H145986	4E15	10	90 - 83
H144385	2G21	20	50 - 17	H145319	6B25	7	125 - 17	H145987	4E15	9	90 - 83
H144467	5C25	16	120 - 43	H145335	2G21	1	50 - 17	H145995	3C22	..	60 - 39
H144472	4B25	9	90 - 17	H145363	5E21	5	120 - 89	H145995	3D2	..	60 - 43
H144524	5F12	12	121 - 11	H145364	5E21	3	120 - 89	H145995	6J13	1	170 - 46
H144532	2D11	9	40 - 50	H145366	5E21	4	120 - 89	H146006	5E21	16	120 - 89
H144546	4E9	6	90 - 77	H145370	5E21	4	120 - 89	H146011	6C23	1	125 - 41
H144556	5D4	1	120 - 47	H145394	5C12	11	120 - 29	H146022	5C18	23	120 - 35
H144557	5D4	11	120 - 47	H145395	5C12	21	120 - 29	H146023	5C18	23	120 - 35
H144558	5D2	19	120 - 45	H145396	5C12	13	120 - 29	H146026	5H20	33	121 - 67
H144692	1B11	20	20 - 5	H145417	2B17	14	40 - 7	H146042	3C2	41	60 - 19
H144692	6J10	5	170 - 43	H145417	4C18	14	90 - 35	H146042	4E3	41	90 - 71
H144715	3H12	24	80 - 5	H145418	2B15	19	40 - 5	H146045	2D10	15	40 - 49
H144716	3H12	24	80 - 5	H145419	2B15	20	40 - 5	H146045	2D11	1	40 - 50
H144717	3H12	25	80 - 5	H145420	2B15	21	40 - 5	H146046	6C4	6	125 - 21
H144759	5F20	7	121 - 19	H145454	1B22	..	20 - 16	H146047	6C4	5	125 - 21
H144762	5F18	9	121 - 17	H145462	4H2	4	110 - 45	H146048	6C15	10	125 - 33
H144823	6G2	8	130 - 31	H145464	4H2	15	110 - 45	H146049	6C15	5	125 - 33
H144823	6G2	9	130 - 31	H145511	2B25	39	40 - 15	H146055	2D10	7	40 - 49
H144825	4G6	4	110 - 23	H145516	6G2	8	130 - 31	H146055	2D11	3	40 - 50
H144825	6G2	8	130 - 31	H145516	6G2	9	130 - 31	H146056	2D10	9	40 - 49
H144834	5F16	7	121 - 15	H145528	6C9	11	125 - 27	H146064	1B9	14	20 - 3
H144896	6D6	3	125 - 49	H145530	5G2	3	121 - 25	H146088	2I11	1	50 - 57
H144962	5G14	42	121 - 37	H145530	5G10	3	121 - 33	H146089	2I11	1	50 - 57
H144970	3C4	36	60 - 21	H145547	6J12	16	170 - 45	H146166	5C18	20	120 - 35
H144970	3C4	41	60 - 21	H145552	3I6	3	80 - 23	H146238	6J12	1	170 - 45
H144970	4E5	41	90 - 73	H145632	5C18	25	120 - 35	H146239	6J10	8	170 - 43
H144971	6F4	8	130 - 7	H145639	5B21	16	120 - 13	H146240	6J12	22	170 - 45
H144992	2H4	10	50 - 25	H145639	5B25	2	120 - 17	H146260	3H16	10	80 - 9
H144993	2H4	10	50 - 25	H145683	6C2	5	125 - 19	H146281	3C15	7	60 - 32
H144998	2G9	15	50 - 5	H145686	6C2	4	125 - 19	H146292	5F12	17	121 - 11
H145001	5G4	4	121 - 27	H145687	6C2	8	125 - 19	H146306	2C20	25	40 - 35
H145003	1B21	10	20 - 15	H145688	6C2	6	125 - 19	H146306	6H15	11	160 - 5
H145051	3F15	22	70 - 59	H145689	6C2	2	125 - 19	H146308	6B23	15	125 - 15
H145051	3F15	25	70 - 59	H145693	6C2	15	125 - 19	H146310	6H5	41	130 - 59
H145051	3F24	11	70 - 69	H145694	6C2	17	125 - 19	H146315	4D21	15	90 - 63
H145051	3F24	28	70 - 69	H145695	6C2	10	125 - 19	H146318	5C2	5	120 - 19
H145051	3G2	11	70 - 73	H145711	5E11	5	120 - 79	H146326	5C10	10	120 - 27
H145051	3G2	28	70 - 73	H145712	5E11	3	120 - 79	H146327	3B10	13	60 - 3
H145052	3F15	22	70 - 59	H145716	3H10	8	80 - 3	H146391	3C2	22	60 - 19
H145052	3F15	24	70 - 59	H145773	5B19	25	120 - 11	H146391	4E3	22	90 - 71
H145052	3F24	11	70 - 69	H145773	5C18	26	120 - 35	H146392	3C2	21	60 - 19
H145052	3F24	27	70 - 69	H145773	6F25	8	130 - 29	H146392	4E3	21	90 - 71
H145052	3G2	11	70 - 73	H145778	6B23	22	125 - 15	H146393	3C2	21	60 - 19
H145052	3G2	27	70 - 73	H145792	5E13	10	120 - 81	H146393	4E3	21	90 - 71
H145082	4D21	4	90 - 63	H145819	5C18	8	120 - 35	H146394	5G22	17	121 - 45
H145089	5E15	1	120 - 83	H145832	1F17	7	30 - 17	H146414	6B13	6	125 - 5
H145095	6C23	7	125 - 41	H145845	5E17	1	120 - 85	H146414	6B15	6	125 - 7
H145096	6C23	6	125 - 41	H145847	3B10	1	60 - 3	H146429	4E7	29	90 - 75
H145112	5C23	6	120 - 41	H145857	6B23	18	125 - 15	H146453	5E21	2	120 - 89
H145112	6C7	10	125 - 25	H145857	6J12	7	170 - 45	H146454	5E21	14	120 - 89
H145158	1B9	5	20 - 3	H145858	6B23	18	125 - 15	H146455	5E21	14	120 - 89

## NUMERICAL INDEX - CONTINUED

PART NO.	GRID	KEY	PAGE	PART NO.	GRID	KEY	PAGE	PART NO.	GRID	KEY	PAGE
H146457	2D10	5	40 - 49	H147286	5E19	10	120 - 87	H148107	6C23	8	125 - 41
H146457	2D11	7	40 - 50	H147289	5E21	18	120 - 89	H148116	6G2	11	130 - 31
H146457	4H2	10	110 - 45	H147290	5E21	18	120 - 89	H148131	5G10	27	121 - 33
H146457	5B19	28	120 - 11	H147291	5E21	18	120 - 89	H148132	4F10	24	110 - 3
H146457	5H18	19	121 - 65	H147292	5E21	18	120 - 89	H148132	4H6	8	110 - 49
H146535	3F25	5	70 - 70	H147293	5E21	18	120 - 89	H148132	5G2	15	121 - 25
H146536	6D24	6	125 - 67	H147294	5F12	17	121 - 11	H148133	4F10	25	110 - 3
H146537	6D24	30	125 - 67	H147299	6F25	20	130 - 29	H148133	4H6	9	110 - 49
H146577	1B9	8	20 - 3	H147302	6B13	3	125 - 5	H148133	5G2	16	121 - 25
H146585	4F12	18	110 - 5	H147302	6B15	2	125 - 7	H148134	4F10	29	110 - 3
H146586	1B9	34	20 - 3	H147302	6B17	2	125 - 9	H148134	4H6	13	110 - 49
H146628	6J10	7	170 - 43	H147302	6B19	2	125 - 11	H148134	5G2	19	121 - 25
H146636	1B9	45	20 - 3	H147304	6B13	2	125 - 5	H148166	1F3	26	30 - 3
H146636	6H19	3	170 - 3	H147304	6B15	1	125 - 7	H148187	4H2	4	110 - 45
H146640	2G10	4	50 - 6	H147304	6B17	1	125 - 9	H148187	4H2	5	110 - 45
H146646	2G23	22	50 - 19	H147304	6B19	1	125 - 11	H148202	6D4	1	125 - 47
H146672	5D14	1B	120 - 57	H147319	6C2	24	125 - 19	H148241	5G20	8	121 - 43
H146680	1B9	46	20 - 3	H147415	1F3	24	30 - 3	H148270	2C10	1	40 - 25
H146680	3H16	27	80 - 9	H147429	6J15	9	170 - 49	H148271	2C10	6	40 - 25
H146695	5C18	12	120 - 35	H147457	5D22	15	120 - 65	H148286	2H1	9	50 - 22
H146730	5B11	8	120 - 3	H147468	5B21	20	120 - 13	H148287	2H1	9	50 - 22
H146749	1B14	2	20 - 8	H147482	4G13	19	110 - 31	H148340	2D18	1	40 - 57
H146750	1B13	3	20 - 7	H147483	5G2	1	121 - 25	H148340	2D18	6	40 - 57
H146752	5E19	12	120 - 87	H147483	5G10	1	121 - 33	H148340	3G10	3	70 - 81
H146752	5F4	27	121 - 3	H147484	5B21	9	120 - 13	H148340	3G10	15	70 - 81
H146754	5C25	8	120 - 43	H147484	5B21	24	120 - 13	H148340	6H5	46	130 - 59
H146756	3I18	7	80 - 35	H147486	3D24	8	70 - 19	H148342	3G14	10	70 - 85
H146757	3J10	19	80 - 51	H147490	2H7	2	50 - 28	H148361	5D4	12	120 - 47
H146765	1B22	..	20 - 16	H147496	5E11	14	120 - 79	H148362	5D4	18	120 - 47
H146765	3H16	5	80 - 9	H147519	5E11	12	120 - 79	H148366	3E22	14	70 - 41
H146766	4F22	20	110 - 15	H147520	5E11	8	120 - 79	H148375	3G12	16	70 - 83
H146766	4F24	20	110 - 17	H147521	5F4	34	121 - 3	H148375	3G14	2	70 - 85
H146766	4G2	20	110 - 19	H147522	5F4	33	121 - 3	H148376	3G12	16	70 - 83
H146775	6G8	5	130 - 37	H147523	5F4	30	121 - 3	H148376	3G14	1	70 - 85
H146887	4F2	26	90 - 95	H147593	4G13	15	110 - 31	H148376	6G10	21B	130 - 39
H146950	2F3	9	40 - 91	H147656	5C21	24	120 - 39	H148416	1B11	24	20 - 5
H146951	4F12	34	110 - 5	H147657	5C21	25	120 - 39	H148518	6G2	13	130 - 31
H147004	3B20	1	60 - 13	H147660	6D22	11	125 - 65	H148633	6E9	7	125 - 77
H147068	1F17	8	30 - 17	H147688	5C12	12	120 - 29	H148633	6E11	7	125 - 79
H147068	1F19	8	30 - 19	H147752	6G10	29	130 - 39	H148673	5E11	5	120 - 79
H147069	1F19	1	30 - 19	H147838	5E13	3	120 - 81	H148674	5E11	3	120 - 79
H147072	6C2	11	125 - 19	H147845	5B9	1	120 - 1	H148702	6G14	4A	130 - 43
H147073	6C2	9	125 - 19	H147846	6D24	22	125 - 67	H148702	6G14	4B	130 - 43
H147073	6C11	1	125 - 29	H147865	1F13	1	30 - 13	H148768	5F20	6	121 - 19
H147074	3H12	2	80 - 5	H147865	1F13	3	30 - 13	H148769	5F20	21	121 - 19
H147104	6C2	16	125 - 19	H147911	5G2	3	121 - 25	H148769	5F22	17	121 - 21
H147105	6C2	13	125 - 19	H147911	5G10	3	121 - 33	H148770	5F22	4	121 - 21
H147106	6C2	14	125 - 19	H147967	6E7	29	125 - 75	H148775	3F13	23	70 - 57
H147111	1F17	12	30 - 17	H148000	3H12	22	80 - 5	H148776	1F13	23	30 - 13
H147115	1B18	8	20 - 12	H148018	5B11	2	120 - 3	H148818	4F16	5	110 - 9
H147125	5E11	2	120 - 79	H148018	5B11	5	120 - 3	H148818	4G11	3	110 - 28
H147128	5F10	9	121 - 9	H148019	5B11	2	120 - 3	H148925	5B11	12	120 - 3
H147132	5E19	4	120 - 87	H148019	5B11	4	120 - 3	H148998	4G6	5	110 - 23
H147137	3I22	..	80 - 39	H148021	5B11	2	120 - 3	H149026	6B23	9	125 - 15
H147148	5G8	28	121 - 31	H148021	5B11	3	120 - 3	H149027	6B23	9	125 - 15
H147153	5E11	9	120 - 79	H148023	5B11	21	120 - 3	H149037	6H25	4	170 - 9
H147192	3C4	10	60 - 21	H148025	6D2	6	125 - 45	H149037	6J10	10	170 - 43
H147192	4E5	10	90 - 73	H148056	6G2	12	130 - 31	H149040	6I14	4	170 - 23
H147229	5F12	7	121 - 11	H148057	5B15	19	120 - 7	H149046	6I14	2	170 - 23
H147229	5H20	10	121 - 67	H148058	5B15	15	120 - 7	H149062	6F21	9	130 - 25
H147230	5E21	12	120 - 89	H148058	5B17	15	120 - 9	H149062	6H25	3	170 - 9
H147231	5E21	12	120 - 89	H148061	5B13	3	120 - 5	H149062	6I2	1	170 - 11
H147232	5E21	12	120 - 89	H148061	5B15	5	120 - 7	H149062	6J15	4	170 - 49
H147233	5E21	12	120 - 89	H148063	5B13	1	120 - 5	H149062	6J16	4	170 - 50
H147234	5E21	12	120 - 89	H148063	5B15	3	120 - 7	H149063	4F22	24	110 - 15
H147249	2B21	1	40 - 11	H148066	5B15	16	120 - 7	H149063	4F24	33	110 - 17
H147267	5C10	3	120 - 27	H148066	5B17	16	120 - 9	H149063	4G2	33	110 - 19

## NUMERICAL INDEX - CONTINUED

PART NO.	GRID	KEY	PAGE	PART NO.	GRID	KEY	PAGE	PART NO.	GRID	KEY	PAGE
H149063	4H10	16	110 - 53	H149142	6J10	..	170 - 43	H150119	4C15	..	90 - 32
H149063	4H14	36	110 - 57	H149143	6J12	15	170 - 45	H150128	5B15	1	120 - 7
H149063	6H23	2	170 - 7	H149174	4F12	34	110 - 5	H150128	5B17	1	120 - 9
H149063	6I4	4	170 - 13	H149355	4B21	11	90 - 13	H150130	5B17	3	120 - 9
H149063	6J12	26	170 - 45	H149356	4B21	5	90 - 13	H150131	5B17	19	120 - 9
H149064	6H23	4	170 - 7	H149357	6J10	..	170 - 43	H150133	5B13	3	120 - 5
H149064	6I6	5	170 - 15	H149369	3E18	13	70 - 37	H150133	5B15	5	120 - 7
H149064	6J10	3	170 - 43	H149380	4C20	2	90 - 37	H150133	5B17	5	120 - 9
H149064	6J12	20	170 - 45	H149398	4C15	..	90 - 32	H150134	5B17	2	120 - 9
H149065	6I2	3	170 - 11	H149399	4C15	..	90 - 32	H150142	5E19	4	120 - 87
H149065	6J15	2	170 - 49	H149401	6B13	4	125 - 5	H150222	2I17	13	50 - 63
H149066	6I4	3	170 - 13	H149401	6B15	4	125 - 7	H150222	2I19	14	50 - 65
H149066	6J12	2	170 - 45	H149415	5E21	18	120 - 89	H150222	2I21	12	50 - 67
H149067	6I6	1	170 - 15	H149416	5E21	18	120 - 89	H150223	2I17	10	50 - 63
H149067	6J12	14	170 - 45	H149417	5E21	18	120 - 89	H150223	2I19	18	50 - 65
H149068	2G17	2	50 - 13	H149418	5E21	18	120 - 89	H150223	2I21	10	50 - 67
H149068	4C20	2	90 - 37	H149419	5E21	18	120 - 89	H150317	3H20	7	80 - 13
H149068	6I4	1A	170 - 13	H149454	1F5	14	30 - 5	H150335	4F24	30	110 - 17
H149074	6I12	3	170 - 21	H149459	4G6	7	110 - 23	H150383	3C2	15	60 - 19
H149074	6I20	5	170 - 29	H149460	4G6	8	110 - 23	H150383	4E3	15	90 - 71
H149075	6I16	3	170 - 25	H149461	4G6	2	110 - 23	H150385	4E7	31	90 - 75
H149076	6I14	3	170 - 23	H149461	4G6	3	110 - 23	H150401	6B11	8	125 - 3
H149076	6I16	1	170 - 25	H149467	5E6	17	120 - 73	H150402	6B11	15	125 - 3
H149077	6I12	1	170 - 21	H149467	5E8	17	120 - 75	H150403	6B11	10	125 - 3
H149077	6I18	4	170 - 27	H149468	5E6	16	120 - 73	H150404	6B11	14	125 - 3
H149078	6I18	3	170 - 27	H149468	5E8	16	120 - 75	H150408	6B11	29	125 - 3
H149079	6I20	1	170 - 29	H149480	4B23	20	90 - 15	H150433	1B21	10	20 - 15
H149080	6I18	1	170 - 27	H149480	6J15	3	170 - 49	H150434	4F24	34	110 - 17
H149088	6H25	1	170 - 9	H149504	4F12	14	110 - 5	H150434	4G2	34	110 - 19
H149088	6J16	2	170 - 50	H149517	4G8	7	110 - 25	H150454	3D24	10	70 - 19
H149089	6I14	1	170 - 23	H149518	4G8	6	110 - 25	H150454	4F22	30	110 - 15
H149090	6I2	2	170 - 11	H149523	4G8	19	110 - 25	H150454	4F24	8	110 - 17
H149090	6J15	1	170 - 49	H149593	4F12	34	110 - 5	H150455	4C24	9	90 - 41
H149091	6I16	2	170 - 25	H149780	6G17	1B	130 - 47	H150458	4H2	13	110 - 45
H149092	3E18	13	70 - 37	H149780	6G19	1B	130 - 49	H150528	4G17	36	110 - 35
H149092	3E20	15	70 - 39	H149780	6G21	1	130 - 49B	H150646	2G6	..	50 - 2
H149092	3E22	6	70 - 41	H149788	2D8	9	40 - 47	H150646	3D2	..	60 - 43
H149092	6I6	2	170 - 15	H149793	6G15	5	130 - 44	H150646	6J13	1	170 - 46
H149092	6J12	13	170 - 45	H149803	3G2	6	70 - 73	H150662	4F12	18	110 - 5
H149096	6C9	15	125 - 27	H149804	3F22	23	70 - 67	H150681	2B15	8	40 - 5
H149096	6H25	5	170 - 9	H149804	3G2	31	70 - 73	H150746	3J10	13	80 - 51
H149096	6I4	2	170 - 13	H149805	6J13	4	170 - 46	H150749	3I14	5	80 - 31
H149096	6J10	2	170 - 43	H149869	6G15	4	130 - 44	H150752	5E19	3	120 - 87
H149096	6J12	8	170 - 45	H149883	4G13	19	110 - 31	H150763	6J12	10	170 - 45
H149096	6J15	7	170 - 49	H149992	6B23	11	125 - 15	H150837	5B19	24B	120 - 11
H149097	2E22	..	40 - 85	H149992	6B23	23	125 - 15	H150915	6J10	7	170 - 43
H149097	6I14	5	170 - 23	H149997	5D6	14	120 - 49	H150916	6J12	22	170 - 45
H149097	6I18	2	170 - 27	H149997	5D8	14	120 - 51	H150920	3G16	10	70 - 87
H149098	6I20	2	170 - 29	H149997	5D16	12	120 - 59	H150922	2E6	7	40 - 69
H149099	6H23	3	170 - 7	H149997	5D20	14	120 - 63	H150923	2E6	3	40 - 69
H149099	6I6	3	170 - 15	H149997	5D24	12	120 - 67	H150923	2E8	3	40 - 71
H149099	6J10	14	170 - 43	H149997	6D24	26	125 - 67	H150923	2E10	3	40 - 73
H149099	6J12	15	170 - 45	H150021	1B17	3	20 - 11	H150926	3G16	1	70 - 87
H149100	6I12	2	170 - 21	H150034	5D22	15	120 - 65	H150929	2B25	1	40 - 15
H149100	6I20	3	170 - 29	H150047	4B19	10	90 - 11	H150951	4C8	10	90 - 25
H149101	6I8	1	170 - 17	H150054	3D24	1	70 - 19	H150980	2J4	6	50 - 75
H149101	6I10	1	170 - 19	H150054	4F22	9	110 - 15	H150980	3G24	8	70 - 95
H149101	6J17	2	170 - 51	H150054	4F24	9	110 - 17	H150982	2J4	3	50 - 75
H149102	6B11	26	125 - 3	H150054	4G2	9	110 - 19	H150983	3G24	5	70 - 95
H149102	6B23	17	125 - 15	H150055	4F22	6	110 - 15	H151062	4E1	2	90 - 68
H149104	6I8	2	170 - 17	H150055	4F24	6	110 - 17	H151067	5B11	10	120 - 3
H149104	6I10	2	170 - 19	H150062	3G2	29	70 - 73	H151068	5B11	20	120 - 3
H149104	6J15	9	170 - 49	H150091	5C25	8	120 - 43	H151087	2H12	18	50 - 33
H149120	2E6	7	40 - 69	H150092	5C25	19	120 - 43	H151087	2H13	18	50 - 34
H149121	2E6	3	40 - 69	H150100	4E7	1	90 - 75	H151161	2G13	17B	50 - 9
H149121	2E6	7	40 - 69	H150117	6E24	15	130 - 3	H151165	4D21	10	90 - 63
H149138	6J15	7	170 - 49	H150119	2C8	7	40 - 23	H151166	4E1	1	90 - 68

# 1L10

CTS COMBINE (NORTH AMERICAN VERSION)

## NUMERICAL INDEX - CONTINUED

PART NO.	GRID	KEY	PAGE	PART NO.	GRID	KEY	PAGE	PART NO.	GRID	KEY	PAGE
H151181	6B11	6B	125 - 3	H155510	6I2	4	170 - 11	H160795	6J12	26	170 - 45
H151182	6B11	1B	125 - 3	H155750	2D10	7	40 - 49	H160804	6E15	3	125 - 83
H151376	2B15	22	40 - 5	H155758	5F12	8	121 - 11	H160880	2D4	6	40 - 43
H151397	6F11	11	130 - 14	H155825	5G8	28	121 - 31	H161021	4E7	1	90 - 75
H151397	6F12	11	130 - 15	H155968	6E24	33B	130 - 3	H161091	4C24	13	90 - 41
H151484	5B21	9	120 - 13	H156098	6B17	5	125 - 9	H161155	1B21	10	20 - 15
H151484	5B21	24	120 - 13	H156098	6B19	5	125 - 11	H161289	2F8	8	40 - 96
H151566	4G13	23	110 - 31	H156100	6B17	7	125 - 9	H161289	4C12	17	90 - 29
H151575	3D2	..	60 - 43	H156100	6B19	7	125 - 11	H161529	6G25	19	130 - 53
H151575	6J13	1	170 - 46	H156101	6B17	6	125 - 9	H161529	6H2	8	130 - 55
H151579	2F7	1	40 - 95	H156101	6B19	6	125 - 11	H161549	2B15	4	40 - 5
H151585	2J2	16	50 - 73	H156127	2G8	6	50 - 4	H161648	4F18	10	110 - 11
H151585	2J4	16	50 - 75	H156127	2G9	3	50 - 5	H161648	4H12	10	110 - 55
H151585	3G24	1	70 - 95	H156379	4F24	30	110 - 17	H162048	4C24	4	90 - 41
H151607	4G8	5	110 - 25	H156379	4G2	30	110 - 19	H162055	3C4	42	60 - 21
H151629	3G18	11	70 - 89	H156390	4E3	42	90 - 71	H162055	4E5	42	90 - 73
H151694	3G18	5	70 - 89	H156390	6I4	1B	170 - 13	H162056	3C4	41	60 - 21
H151739	3C15	10	60 - 32	H156513	3B12	4	60 - 5	H162056	4E5	41	90 - 73
H151757	4F24	30	110 - 17	H156514	3B12	2	60 - 5	H162177	4H10	23	110 - 53
H151757	4G2	30	110 - 19	H156717	5D8	2	120 - 51	H162177	4H14	27	110 - 57
H151897	5D4	15	120 - 47	H156717	5D10	2	120 - 53	H162211	4H14	20	110 - 57
H151908	2B25	39	40 - 15	H156718	5D8	2	120 - 51	H162269	4G25	29	110 - 43
H152047	3J2	15B	80 - 43	H156718	5D10	2	120 - 53	H162278	4H14	25	110 - 57
H152048	3I24	11B	80 - 41	H157036	4H16	7	110 - 59	H162288	4G25	28	110 - 43
H152062	4G13	4	110 - 31	H157282	5D2	17	120 - 45	H162325	4H10	2	110 - 53
H152086	6D24	28	125 - 67	H157291	6J12	7	170 - 45	H162326	4H10	7	110 - 53
H152135	3J10	17	80 - 51	H157566	4E7	5	90 - 75	H162425	4H10	14	110 - 53
H152146	5H8	21	121 - 55	H157740	5D18	4	120 - 61	H162425	4H14	23	110 - 57
H152166	3B12	13	60 - 5	H157743	5D18	5	120 - 61	H162569	3C4	41	60 - 21
H152166	3B12	19	60 - 5	H158292	2D19	6	40 - 58	H162569	4E5	41	90 - 73
H152172	3C4	10	60 - 21	H158364	6B19	10	125 - 11	H162629	5G10	25	121 - 33
H152172	4E5	10	90 - 73	H158404	6B19	12	125 - 11	H162629	5G22	3	121 - 45
H152174	3C4	12	60 - 21	H158405	6B19	11	125 - 11	H162629	6H19	6	170 - 3
H152174	4E5	12	90 - 73	H158579	2B17	3	40 - 7	H162850	4C14	11B	90 - 31
H152180	5H8	21	121 - 55	H158579	4C18	3	90 - 35	H163175	4H14	22	110 - 57
H152317	1B13	10	20 - 7	H158579	4F4	11	90 - 97	H163397	4E7	4	90 - 75
H152616	5D10	8	120 - 53	H158615	6E13	5	125 - 81	H163397	4E9	6	90 - 77
H152617	5D10	7	120 - 53	H158629	6E13	3	125 - 81	H163409	4C14	11B	90 - 31
H152916	6E24	10B	130 - 3	H158638	3F25	5	70 - 70	H163491	3D2	10	60 - 43
H153297	1B13	4	20 - 7	H158638	6E13	8	125 - 81	H163757	6E15	1	125 - 83
H153297	6H19	1	170 - 3	H158712	5E13	11	120 - 81	H163787	6G25	12	130 - 53
H153438	4E7	6	90 - 75	H158736	6D24	37	125 - 67	H163994	4H14	13	110 - 57
H153524	5H4	9	121 - 51	H158737	5E13	6	120 - 81	H164009	4H14	31	110 - 57
H153524	5H8	10	121 - 55	H158749	3H12	2	80 - 5	H164018	4H14	40	110 - 57
H153648	5D12	1	120 - 55	H158817	6G23	27	130 - 51	H164222	4H14	10	110 - 57
H153649	5D12	3	120 - 55	H158830	4E7	3B	90 - 75	H164348	2E6	7	40 - 69
H153721	4F2	21	90 - 95	H158884	3C18	1	60 - 35	H164348	2E8	7	40 - 71
H153722	4F2	22	90 - 95	H158975	2G7	..	50 - 3	H164348	2E10	7	40 - 73
H153728	3D2	..	60 - 43	H158975	6H23	1	170 - 7	H164391	4H2	20	110 - 45
H153760	5D12	5	120 - 55	H158975	6J13	5	170 - 46	H164391	4H14	44	110 - 57
H153953	5C14	2	120 - 31	H159291	3F25	3	70 - 70	H164404	6G4	17	130 - 33
H154195	3H16	5	80 - 9	H159533	4G4	11	110 - 21	H164410	4H10	15	110 - 53
H154221	5C10	3	120 - 27	H159534	4G4	19	110 - 21	H164452	4H12	11	110 - 55
H154331	4G17	22	110 - 35	H159636	4E7	30	90 - 75	H164494	4H16	7	110 - 59
H154720	2H2	15	50 - 23	H159733	3H18	14	80 - 11	H164536	2D6	8	40 - 45
H154722	2H1	10	50 - 22	H159740	2B25	39	40 - 15	H164536	2D22	4	40 - 61
H154757	3I20	13	80 - 37	H159743	4E7	37B	90 - 75	H164537	4F22	25	110 - 15
H154808	5E8	19	120 - 75	H159784	6G21	2	130 - 49B	H164537	4H10	17	110 - 53
H154928	5E2	5	120 - 69	H159806	2F13	7	40 - 101	H164537	4H14	9	110 - 57
H154928	5E6	11	120 - 73	H159831	2B11	1	40 - 1	H164547	2G23	4	50 - 19
H154930	5D10	5	120 - 53	H159975	4G4	2	110 - 21	H164556	6E15	3	125 - 83
H154959	6D24	30	125 - 67	H159975	4G8	26	110 - 25	H164605	6D4	1	125 - 47
H155108	1B17	3	20 - 11	H160265	3H12	30	80 - 5	H164632	2E4	1	40 - 67
H155112	3H18	16	80 - 11	H160268	6J12	7	170 - 45	H164794	2G23	20	50 - 19
H155289	6D18	18	125 - 61	H160459	6J12	28	170 - 45	H164921	3C4	42	60 - 21
H155459	4F10	5	110 - 3	H160701	6J12	17	170 - 45	H164921	4E5	42	90 - 73
H155510	2B15	25	40 - 5	H160715	6D24	28	125 - 67	H165247	6B23	18	125 - 15

**NUMERICAL INDEX - CONTINUED**

PART NO.	GRID	KEY	PAGE	PART NO.	GRID	KEY	PAGE	PART NO.	GRID	KEY	PAGE
H165247	6J12	7	170 - 45	H170634	4H6	25	110 - 49	H64374	6C7	29	125 - 25
H165252	2D23	7	40 - 62	H170967	6F17	14	130 - 21	H64375	6B21	2	125 - 13
H165293	3C4	10	60 - 21	H170967	6F17	20	130 - 21	H64376	5B19	1	120 - 11
H165293	4E5	10	90 - 73	H171006	6D24	9	125 - 67	H64376	5B23	1	120 - 15
H165317	4H2	24	110 - 45	H171061	1B13	16	20 - 7	H64376	5G12	15	121 - 35
H165317	4H14	42	110 - 57	H171061	5C6	6	120 - 23	H64376	6G6	2	130 - 35
H165318	4H2	21	110 - 45	H171061	5C12	17	120 - 29	H64584	3J8	16	80 - 49
H165318	4H14	43	110 - 57	H171061	5F10	23	121 - 9	H64584	6F23	7	130 - 27
H165508	2G23	4	50 - 19	H171061	5G20	13	121 - 43	H64612	2E22	8	40 - 85
H165510	2G9	12	50 - 5	H171061	5H2	15	121 - 49	H64612	2E24	12	40 - 87
H165510	2H4	8	50 - 25	H171061	5H16	4	121 - 63	H64813	2H18	29	50 - 39
H165585	3H20	13	80 - 13	H171061	5H20	19	121 - 67	H748DA	5H2	8	121 - 49
H165587	3H20	19	80 - 13	H171061	6E5	12	125 - 73	H75267	5G4	3	121 - 27
H165662	2G9	14	50 - 5	H171318	4H10	23	110 - 53	H75358	2G19	30	50 - 15
H165663	2G9	14	50 - 5	H171318	4H14	27	110 - 57	H75385	5F16	14	121 - 15
H165691	3D8	11	70 - 3	H172177	4H10	14	110 - 53	H75423	2I5	..	50 - 51
H165691	4C16	4	90 - 33	H172177	4H14	23	110 - 57	H75423	3C18	5	60 - 35
H165691	4C24	3	90 - 41	H172439	6B23	11	125 - 15	H75541	1B15	8	20 - 9
H165691	4F4	13	90 - 97	H172923	3B12	19	60 - 5	H75541	1F17	14	30 - 17
H165691	4F6	4	90 - 99	H172924	3B12	13	60 - 5	H75541	3E20	33	70 - 39
H166148	3F25	3	70 - 70	H172944	4C10	11	90 - 27	H75541	3E22	24	70 - 41
H166201	2H4	11	50 - 25	H172944	4C12	14	90 - 29	H75700	2G24	8	50 - 20
H166357	2E4	2	40 - 67	H173009	5E19	3	120 - 87	H75716	2E25	2	40 - 88
H167127	6B19	10	125 - 11	H173011	6H5	41	130 - 59	H75716	6D20	35	125 - 63
H167723	2H2	7	50 - 23	H173111	6J12	16	170 - 45	H75952	6E24	22	130 - 3
H168019	6D24	42	125 - 67	H173223	6G6	34	130 - 35	H75985	6F2	10	130 - 5
H168068	5E21	23	120 - 89	H173824	6I18	1	170 - 27	H76064	2C16	9	40 - 31
H168069	5E21	24	120 - 89	H174266	3D2	..	60 - 43	H76064	2D6	5	40 - 45
H168070	5E21	25	120 - 89	H174266	6J13	1	170 - 46	H76064	2D22	19	40 - 61
H168071	5E21	26	120 - 89	H175540	5D22	1	120 - 65	H76064	2E22	9	40 - 85
H168125	4F12	14	110 - 5	H175590	5E4	5	120 - 71	H76064	2E24	5	40 - 87
H168166	2G9	1	50 - 5	H175590	5E6	5	120 - 73	H76083	4G2	7	110 - 19
H168421	2B15	4	40 - 5	H175590	5E8	5	120 - 75	H76083	6D24	18	125 - 67
H168424	2B17	3	40 - 7	H175703	4G4	4	110 - 21	H76152	2G10	7	50 - 6
H168424	4C18	3	90 - 35	H22784	2H2	14	50 - 23	H76863	6G2	8	130 - 31
H168424	4F4	11	90 - 97	H23196	4F2	6	90 - 95	H76933	6C7	23	125 - 25
H168425	4D21	10	90 - 63	H23950	6B21	6	125 - 13	H77337	2E3	14	40 - 66
H168428	4E1	1	90 - 68	H25099	5H10	6	121 - 57	H77337	4E13	9	90 - 81
H168431	4B17	3	90 - 9	H25099	5H12	6	121 - 59	H77358	4D21	11	90 - 63
H168433	4C24	4	90 - 41	H25360	4F16	7	110 - 9	H77507	1F3	8	30 - 3
H168436	4C24	4	90 - 41	H26552	6E5	16	125 - 73	H77698	2D16	11	40 - 55
H168744	2G9	1	50 - 5	H28031	6H8	7	130 - 63	H77698	4F2	..	90 - 95
H168780	3D8	11	70 - 3	H28865	4F16	8	110 - 9	H77698	4G25	14	110 - 43
H168780	4C16	4	90 - 33	H29623	6G6	18	130 - 35	H77698	5C14	7	120 - 31
H168780	4C24	3	90 - 41	H35112	3D16	4	70 - 11	H77698	6D12	16	125 - 55
H168780	4F4	13	90 - 97	H35712	3H22	7	80 - 15	H77739	2G13	10	50 - 9
H168780	4F6	4	90 - 99	H36155	5C23	15	120 - 41	H78340	5H18	4	121 - 65
H168924	2C10	2	40 - 25	H36221	4B13	11	90 - 5	H78557	3J10	13	80 - 51
H168961	2G13	14	50 - 9	H36221	4F2	20	90 - 95	H78856	4F10	25	110 - 3
H168988	2G15	16	50 - 11	H36256	3C4	48	60 - 21	H78856	4H6	9	110 - 49
H168988	2H16	23	50 - 37	H36256	4E5	48	90 - 73	H78856	5G2	16	121 - 25
H168989	2G13	12	50 - 9	H61355	2J6	29	50 - 77	H79910	1C8	26	26 - 5
H168994	4F12	2	110 - 5	H63271	2H6	3	50 - 27	H80197	4F10	24	110 - 3
H169292	3H18	20	80 - 11	H63271	2H10	17	50 - 31	H80197	4H6	8	110 - 49
H169344	1B22	7	20 - 16	H63271	2H12	26	50 - 33	H80197	5G2	15	121 - 25
H169344	6H25	2	170 - 9	H63271	2H13	26	50 - 34	H80228	6G25	8	130 - 53
H169344	6J16	5	170 - 50	H63271	2H18	9	50 - 39	H80440	3C13	4	60 - 30
H169549	1F11	4	30 - 11	H63271	2H19	6	50 - 40	H80753	3C4	35	60 - 21
H169793	1F3	10	30 - 3	H63288	2H14	13	50 - 35	H80753	4E5	35	90 - 73
H169794	1F3	7	30 - 3	H63288	2H14	15	50 - 35	H80796	6J12	11	170 - 45
H170105	6I14	2	170 - 23	H63289	2H12	3	50 - 33	H80821	3G4	10	70 - 75
H170303	5F16	21	121 - 15	H63289	2H13	3	50 - 34	H80821	3G6	11	70 - 77
H170427	5F4	14	121 - 3	H63289	2H14	14	50 - 35	H80821	6D18	10	125 - 61
H170634	2F11	9	40 - 99	H63289	2H14	15	50 - 35	H80896	4E15	15	90 - 83
H170634	4F10	30	110 - 3	H63289	3D12	10	70 - 7	H80896	6H19	4	170 - 3
H170634	4F12	..	110 - 5	H63289	6D8	10	125 - 51	H80926	4F16	2	110 - 9
H170634	4H6	19	110 - 49	H64374	5C23	1	120 - 41	H80926	4G11	1	110 - 28

# 1L12

CTS COMBINE (NORTH AMERICAN VERSION)

## NUMERICAL INDEX - CONTINUED

PART NO.	GRID	KEY	PAGE	PART NO.	GRID	KEY	PAGE	PART NO.	GRID	KEY	PAGE
H80926	5E13	1	120-81	H91205	5C21	14	120-39	H98301	5E17	4	120-85
H81010	4F2	21	90-95	H91228	6C7	8	125-25	H98409	4G25	15	110-43
H81330	6G19	6	130-49	H91315	4C16	5	90-33	H98494	2D18	6	40-57
H81461	3B16	30	60-9	H91788	2E3	15	40-66	H98655	4F20	5	110-13
H81467	3B16	17	60-9	H91788	5H10	12	121-57	H987R	2C16	7	40-31
H81742	4E13	17	90-81	H91788	5H12	13	121-59	H98765	2D18	1	40-57
H81742	6H19	4	170-3	H92260	4F10	20	110-3	H98765	3G10	3	70-81
H82060	6F21	15	130-25	H92308	2G23	21	50-19	H98765	6H5	2	130-59
H82232	2G19	3	50-15	H93084	4G25	13	110-43	H98896	6B21	2	125-13
H82233	2G19	4	50-15	H93368	4F10	5	110-3	H98906	4F12	14	110-5
H82234	2G19	2	50-15	H93399	5H8	26	121-55	H99147	1B13	16	20-7
H82619	5F16	18	121-15	H93556	4G4	2	110-21	H99147	5C6	6	120-23
H82620	5G8	7	121-31	H93556	4G8	26	110-25	H99147	5C12	17	120-29
H82620	5G10	32	121-33	H93630	5G10	23	121-33	H99147	5F10	23	121-9
H83055	4D7	11	90-49	H93631	5G10	22	121-33	H99147	5G20	13	121-43
H83060	2E20	15	40-83	H93645	5G12	3	121-35	H99147	5H2	15	121-49
H83089	5C23	16	120-41	H93864	5C8	9	120-25	H99147	5H16	4	121-63
H83135	2G5	6	50-1	H93927	4F16	17	110-9	H99147	5H20	19	121-67
H83285	1B11	10	20-5	H93927	4H6	27	110-49	H99147	6E5	12	125-73
H83790	2F9	2	40-97	H93927	5F12	4	121-11	H99147	6F19	13	130-23
H83791	2F9	3	40-97	H94167	5C23	24	120-41	H99149	5B19	3	120-11
H83795	6C7	21	125-25	H94386	5G18	13	121-41	H99149	5B23	3	120-15
H84026	4G17	4	110-35	H94433	2D10	24	40-49	H99149	5G12	12	121-35
H84026	4G17	34	110-35	H94946	3C18	1	60-35	H99264	3B12	18	60-5
H84318	2I8	13	50-54	H94950	3C24	17	60-41	H99294	3C4	46	60-21
H84375	3C22	2	60-39	H94951	3C24	8	60-41	H99294	4E5	46	90-73
H84375	3D2	3	60-43	H94951	3C24	19	60-41	H99303	4G23	10	110-41
H84869	4G4	7	110-21	H95368	2G13	18	50-9	H99613	6G15	2	130-44
H84942	4G17	18	110-35	H95417	4F10	32	110-3	H99613	6G15	3	130-44
H84948	4C22	16	90-39	H95417	4H6	16	110-49	H99897	1F3	2	30-3
H84948	4F14	16	110-7	H95499	4F20	17	110-13	H99923	3C13	4	60-30
H84990	6B25	2	125-17	H95547	3D2	5	60-43	H99923	4D2	20	90-43
H85015	6D20	22	125-63	H95902	3B12	17	60-5	H99923	4D25	16	90-67
H85184	3I20	15	80-37	H96148	6G15	4	130-44	H99923	5B19	18	120-11
H85184	3J10	1	80-51	H96149	6G6	7	130-35	IPSKIT1	1C6	..	26-2
H85184	5C19	7	120-36	H96169	6G6	1	130-35	JD10010	4F12	15	110-5
H85233	4B15	5	90-7	H96226	5G22	14	121-45	JD10011	4F12	21	110-5
H85482	4F10	29	110-3	H96227	5G22	12	121-45	JD10018	4G25	4	110-43
H85482	4H6	13	110-49	H96228	6G10	3	130-39	JD10020	4G13	14	110-31
H85482	5G2	19	121-25	H96228	6G15	13	130-44	JD10032	5G14	45	121-37
H86108	1F10	4	30-10	H96232	5G22	13	121-45	JD10182	2G19	24	50-15
H86161	3C18	4	60-35	H96267	6G6	6	130-35	JD10214	5G14	30	121-37
H86760	6D25	10	125-68	H96294	6G6	14	130-35	JD10266	2H2	11	50-23
H86783	5F10	13	121-9	H96297	6G6	13	130-35	JD10285	5C8	10	120-25
H86886	4D9	8	90-51	H96298	6G6	13	130-35	JD10312	5H18	9	121-65
H86896	6J16	3	170-50	H96345	6G15	8	130-44	JD10342	5B19	7	120-11
H871R	4F12	4	110-5	H96346	6G15	5	130-44	JD10342	5B23	6	120-15
H871R	5G14	8	121-37	H96391	4D7	7	90-49	JD10342	5G12	6	121-35
H87206	5H4	28	121-51	H96455	4D23	2	90-65	JD10343	5B19	8	120-11
H87691	2G8	5	50-4	H96645	6G23	17	130-51	JD10343	5B23	7	120-15
H87691	2G9	6	50-5	H96652	6G10	12	130-39	JD10343	5G12	13	121-35
H88769	1B22	..	20-16	H96652	6G19	7	130-49	JD10387	6B25	4	125-17
H88769	3H16	5	80-9	H96652	6G21	7	130-49B	JD10401	2H4	2	50-25
H88769	3H16	7	80-9	H96690	4B23	14	90-15	JD10462	2H22	8	50-43
H88769	3H16	22	80-9	H96690	5D22	12	120-65	JD39102	1B9	38	20-3
H88773	4E7	6	90-75	H96869	3C24	3	60-41	JD39102	6E9	6	125-77
H88773	6E24	17	130-3	H97306	5G10	38	121-33	JD39102	6E9	12	125-77
H89241	3F6	3	70-49	H97308	4F10	15	110-3	JD39102	6E9	24	125-77
H89297	4F20	7	110-13	H97322	4G15	13	110-33	JD39102	6E11	6	125-79
H89431	2G6	5	50-2	H97322	4G17	17	110-35	JD39102	6E11	14	125-79
H89515	5H10	11	121-57	H97378	4G25	5	110-43	JD39102	6E24	5	130-3
H89515	5H12	12	121-59	H97410	4F10	33	110-3	JD39103	6D20	5	125-63
H89525	5H4	29	121-51	H97410	4H6	15	110-49	JD39103	6E7	15	125-75
H89544	3H12	13	80-5	H97513	5H2	4	121-49	JD39103	6E24	11	130-3
H89569	6F21	8	130-25	H97574	6D20	19	125-63	JD39103	6F8	4	130-11
H89617	4F12	6	110-5	H98111	4B23	20	90-15	JD39104	6G25	20	130-53
H89853	5B19	23	120-11	H98111	4B23	21	90-15	JD39104	6H2	9	130-55

## NUMERICAL INDEX - CONTINUED

PART NO.	GRID	KEY	PAGE	PART NO.	GRID	KEY	PAGE	PART NO.	GRID	KEY	PAGE
JD39104	6H5	34	130 - 59	JD7797	5G2	8	121 - 25	JD8902	3C24	14	60 - 41
JD39109	5H4	53	121 - 51	JD7797	5G8	5	121 - 31	JD8947	2G19	6	50 - 15
JD5255	6J12	23	170 - 45	JD7797	5G14	25	121 - 37	JD8952	3C24	10	60 - 41
JD5400	3I12	6	80 - 29	JD7797	5H4	38	121 - 51	JD8960	5G14	4	121 - 37
JD5400	6H23	5	170 - 7	JD7797	6D20	20	125 - 63	JD8972	5F6	7	121 - 5
JD5400	6I12	4	170 - 21	JD7797	6G15	14	130 - 44	JD8972	5F8	5	121 - 7
JD5400	6I22	2	170 - 31	JD7797	6H5	25	130 - 59	JD8979	2G21	6	50 - 17
JD5400	6J15	8	170 - 49	JD7798	5G10	26	121 - 33	JD9007	5F22	12	121 - 21
JD5401	3I12	6	80 - 29	JD7799	2I5	11	50 - 51	JD9007	5F24	4	121 - 23
JD5401	6H23	5	170 - 7	JD7806	3C19	13	60 - 36	JD9043	2I1	5	50 - 47
JD5401	6I12	4	170 - 21	JD7806	3C21	9	60 - 38	JD9075	5F24	12	121 - 23
JD5401	6I22	2	170 - 31	JD7806	6G10	2	130 - 39	JD9076	2H10	9	50 - 31
JD5401	6J15	8	170 - 49	JD7839	5G20	10	121 - 43	JD9078	5G6	1	121 - 29
JD5592	6J15	5	170 - 49	JD7842	4H8	12	110 - 51	JD9091	5F14	1	121 - 13
JD7126	6G25	11	130 - 53	JD7844	6B25	5	125 - 17	JD9092	2H2	4	50 - 23
JD7292	5G4	11	121 - 27	JD7845	5B19	9	120 - 11	JD9109	2I1	4	50 - 47
JD7298	2H2	10	50 - 23	JD7845	5B23	8	120 - 15	JD9113	2H6	4	50 - 27
JD7378	5G4	10	121 - 27	JD7845	5C8	18	120 - 25	JD9113	2H18	28	50 - 39
JD7395	5F6	8	121 - 5	JD7845	5C10	17	120 - 27	JD9132	5F24	13	121 - 23
JD7395	5F8	8	121 - 7	JD7845	5E17	10	120 - 85	JD9133	2H10	9	50 - 31
JD7395	5G6	11	121 - 29	JD7845	5G12	11	121 - 35	JD9146	5F14	2	121 - 13
JD7418	5F6	9	121 - 5	JD7845	6E17	1	125 - 85	JD9147	2H2	5	50 - 23
JD7418	5F8	7	121 - 7	JD7845	6E19	3	125 - 87	JD9201	4F16	15	110 - 9
JD7418	5G6	10	121 - 29	JD7846	5H4	5	121 - 51	JD9201	4H6	26	110 - 49
JD7425	2G23	9	50 - 19	JD7846	5H8	15	121 - 55	JD9201	5C10	13	120 - 27
JD7441	5F6	6	121 - 5	JD7847	2H22	14	50 - 43	JD9201	5F12	3	121 - 11
JD7441	5F8	6	121 - 7	JD7847	2I5	11	50 - 51	JD9202	4F16	19	110 - 9
JD7441	5G14	29	121 - 37	JD8147	2G23	8	50 - 19	JD9202	4H6	28	110 - 49
JD7448	2H22	9	50 - 43	JD8162	5F14	14	121 - 13	JD9219	6F14	5	130 - 17
JD7502	2G23	3	50 - 19	JD8162	5F18	3	121 - 17	JD9219	6F15	5	130 - 18
JD7681	5C16	3	120 - 33	JD8162	5F22	5	121 - 21	JD9273	5C23	4	120 - 41
JD7681	6F17	13	130 - 21	JD8164	5G4	7	121 - 27	JD9273	6C17	16	125 - 35
JD7689	6F17	11	130 - 21	JD8182	2G21	18	50 - 17	JD9276	5F12	5	121 - 11
JD7759	3C18	6	60 - 35	JD8206	5F14	15	121 - 13	JD9301	4H4	4	110 - 47
JD7759	3C24	18	60 - 41	JD8206	5F18	2	121 - 17	JD9313	6D20	11	125 - 63
JD7759	4F10	13	110 - 3	JD8206	5F22	6	121 - 21	JD9313	6D25	6	125 - 68
JD7759	4G25	10	110 - 43	JD8206	5F24	2	121 - 23	JD9356	4H4	7	110 - 47
JD7759	5B23	10	120 - 15	JD8210	5G4	6	121 - 27	JD9373	4G13	20	110 - 31
JD7759	5C10	20	120 - 27	JD8222	2H4	1	50 - 25	JD9373	6G23	4	130 - 51
JD7759	5G12	9	121 - 35	JD8223	2G21	19	50 - 17	JD9434	5C10	15	120 - 27
JD7759	5G20	1	121 - 43	JD8237	2G19	23	50 - 15	JD9434	5E17	7	120 - 85
JD7759	5G22	4	121 - 45	JD8237	3C24	13	60 - 41	JD9442	6C7	13	125 - 25
JD7759	5H8	5	121 - 55	JD8237	3C24	19	60 - 41	JD9490	5C25	6	120 - 43
JD7759	6F11	9	130 - 14	JD8239	5G14	3	121 - 37	JD9849	2H22	2	50 - 43
JD7759	6F12	9	130 - 15	JD8255	5G6	2	121 - 29	J13683	5F10	7	121 - 9
JD7759	6G6	19	130 - 35	JD8257	2G19	5	50 - 15	J16931	1B9	21	20 - 3
JD7760	2H1	4	50 - 22	JD8258	3C24	11	60 - 41	J16931	1B13	20	20 - 7
JD7760	4H8	3	110 - 51	JD8258	3C24	19	60 - 41	J16931	3G10	13	70 - 81
JD7763	6G6	19	130 - 35	JD8267	2G21	5	50 - 17	J16931	6E7	5	125 - 75
JD7767	5C23	16	120 - 41	JD8524	6G6	8	130 - 35	J16931	6G6	36	130 - 35
JD7768	5C23	16	120 - 41	JD8551	4G17	27	110 - 35	J16931	6H5	40	130 - 59
JD7778	6G6	19	130 - 35	JD8552	4G17	29	110 - 35	J18468	6G23	23	130 - 51
JD7788	3C20	13	60 - 37	JD8554	5C21	20	120 - 39	J21022	6D20	15	125 - 63
JD7788	3C21	9	60 - 38	JD8554	6C7	7	125 - 25	J2375M	3E18	1	70 - 37
JD7788	5B19	11	120 - 11	JD8554	6C17	17	125 - 35	J2375M	3E20	3	70 - 39
JD7788	5B19	30	120 - 11	JD8554	6G23	13	130 - 51	J2375M	3E22	3	70 - 41
JD7788	5C10	22	120 - 27	JD8563	6C7	14	125 - 25	K40001	3E18	25	70 - 37
JD7788	5C25	2	120 - 43	JD8576	4H4	8	110 - 47	K40001	3E20	29	70 - 39
JD7788	5F12	22	121 - 11	JD8576	6B25	10	125 - 17	K40001	3E22	21	70 - 41
JD7788	5G22	6	121 - 45	JD8662	5F10	8	121 - 9	K40003	6G23	10	130 - 51
JD7788	5H18	18	121 - 65	JD8665	5C23	11	120 - 41	K40994	3F15	15	70 - 59
JD7797	3C13	3	60 - 30	JD8665	6C7	3	125 - 25	L1526N	6F6	5	130 - 9
JD7797	3C19	1	60 - 36	JD8665	6G23	16	130 - 51	L1730N	4F20	3	110 - 13
JD7797	3C20	1	60 - 37	JD8668	5G10	16	121 - 33	L24517	3D18	7	70 - 13
JD7797	3C21	1	60 - 38	JD8669	5G10	14	121 - 33	L29041	5F14	3	121 - 13
JD7797	5E17	2	120 - 85	JD8676	5F20	17	121 - 19	L29042	5F14	3	121 - 13
JD7797	5F16	3	121 - 15	JD8819	4F12	9	110 - 5	L29043	5F14	3	121 - 13



**NUMERICAL INDEX - CONTINUED**

PART NO.	GRID	KEY	PAGE	PART NO.	GRID	KEY	PAGE	PART NO.	GRID	KEY	PAGE
L29044	5F14	3	121 - 13	M84309	5E8	14	120 - 75	N191174	2H6	24	50 - 27
L33993	2E2	1	40 - 65	M84309	6F23	25	130 - 27	N191174	2H18	42	50 - 39
L3483N	6D12	22	125 - 55	M84309	6F25	6	130 - 29	N196034	2H6	21	50 - 27
L36230	3G16	19	70 - 87	M84309	6G4	10	130 - 33	N196034	2H18	40	50 - 39
L38138	2C2	5	40 - 17	M84309	6H8	2	130 - 63	N196062	2G10	..	50 - 6
L39871	2E22	3	40 - 85	M84971	1B17	11	20 - 11	N197422	2G23	13	50 - 19
L39871	3C16	15	60 - 33	M84972	6F21	6	130 - 25	N199920	2G24	2A	50 - 20
M111701	1B9	20	20 - 3	M86436	2C22	1	40 - 37	N199920	2G24	2B	50 - 20
M112271	6G6	35	130 - 35	M86436	2C22	2	40 - 37	N205021	3E16	5	70 - 35
M112639	6C23	15	125 - 41	M93425	3I20	19	80 - 37	N205022	3E16	10	70 - 35
M121T	2F3	5	40 - 91	M93425	4F22	29	110 - 15	N209312	3E16	5	70 - 35
M15973	6C7	29	125 - 25	M93425	4F24	29	110 - 17	N232713	3E18	24	70 - 37
M2301T	2E25	3	40 - 88	M93425	4G2	29	110 - 19	N232713	3E20	28	70 - 39
M2353T	5G20	15	121 - 43	M95728	6C17	11	125 - 35	N232713	3E22	20	70 - 41
M2517T	3J8	7	80 - 49	M95728	6H20	9	170 - 4	N274892	2G24	6B	50 - 20
M2952DN	4F20	3	110 - 13	N102039	2G10	9	50 - 6	N276474	2H1	9	50 - 22
M40613	6C13	16	125 - 31	N10213	2C14	10	40 - 29	N276475	2H1	9	50 - 22
M41029	2G19	35	50 - 15	N10215	4D2	6	90 - 43	N276699	2G7	6	50 - 3
M41029	3G6	2	70 - 77	N10215	4D25	11	90 - 67	N31772	2I10	8	50 - 56
M41029	6D18	2	125 - 61	N10217	3C6	13	60 - 23	N31772	3H5	8	70 - 100
M43518	2H10	31	50 - 31	N10217	3C8	8	60 - 25	N34367	5C8	11	120 - 25
M43649	3B10	23	60 - 3	N10217	3D9	4	70 - 4	N34986	3G6	12	70 - 77
M43835	2C22	10	40 - 37	N10217	3D10	4	70 - 5	N52258	5C25	7	120 - 43
M43835	2F17	2	40 - 105	N10217	3D18	16	70 - 13	N61654	5G18	3	121 - 41
M45123	5G16	3	121 - 39	N10217	3E4	10	70 - 23	N61654	5H16	13	121 - 63
M47566	5C4	10	120 - 21	N10217	3E6	6	70 - 25	N61703	4E13	11	90 - 81
M48000	2H10	2	50 - 31	N10217	3E8	15	70 - 27	N61709	5E15	21	120 - 83
M48000	2H16	15	50 - 37	N109389	6E24	12	130 - 3	N61709	6D4	5	125 - 47
M48109	2C4	1	40 - 19	N110085	6D20	29	125 - 63	N61709	6F25	33	130 - 29
M48109	2C6	1	40 - 21	N110085	6E5	7	125 - 73	N71921	6G6	4	130 - 35
M48869	3G4	23	70 - 75	N110085	6H19	8	170 - 3	N71922	4F12	20	110 - 5
M48869	3G6	4	70 - 77	N115096	2F17	11	40 - 105	N72306	5E17	17	120 - 85
M48869	6D18	4	125 - 61	N121116	5C14	1	120 - 31	N72989	6G15	12	130 - 44
M63707	2I10	13	50 - 56	N126584	2H10	18	50 - 31	N72989	6G23	1	130 - 51
M63707	3H5	13	70 - 100	N126585	2H6	6	50 - 27	PF10026	6F21	16	130 - 25
M63707	5G11	9	121 - 34	N126586	2H16	13	50 - 37	PF80001	6F6	15	130 - 9
M63707	5G14	17	121 - 37	N126588	2H14	9	50 - 35	PF80021	6F6	15	130 - 9
M63707	5G16	11	121 - 39	N126599	2H10	7	50 - 31	PF80104	6F6	15	130 - 9
M66044	2D22	21	40 - 61	N126599	2H11	4	50 - 32	PF80105	6F6	15	130 - 9
M66125	6E9	12	125 - 77	N126600	2H10	10	50 - 31	PF80112	6F4	12	130 - 7
M66125	6E9	23	125 - 77	N126600	2H11	1	50 - 32	PF80113	6F4	13	130 - 7
M68701	2C16	5	40 - 31	N126601	2H12	7	50 - 33	PM797NA	2F19	57	40 - 107
M68701	3I24	10	80 - 41	N126601	2H13	7	50 - 34	PM797NA	2F21	40	40 - 109
M68701	3J2	14	80 - 43	N126602	2H10	27	50 - 31	PT2314	2C20	4	40 - 35
M71184	2C2	7	40 - 17	N126603	2H10	1	50 - 31	P43969	2G19	25	50 - 15
M71184	2C2	8	40 - 17	N126609	2H10	6	50 - 31	P44439	6C7	2	125 - 25
M71442	2C2	5	40 - 17	N126609	2H11	2	50 - 32	P44478	6H5	39	130 - 59
M71442	2C2	7	40 - 17	N126612	2H6	22	50 - 27	P45458	4E15	7	90 - 83
M71442	2C2	8	40 - 17	N126612	2H18	37	50 - 39	P45750	3D18	7	70 - 13
M71770	3G2	16	70 - 73	N126638	2H12	2	50 - 33	P46369	2H1	10	50 - 22
M72490	1E4	15	26 - 57	N126638	2H13	2	50 - 34	P46402	5C6	8	120 - 23
M72490	1E6	15	26 - 59	N126641	2H16	10	50 - 37	P46402	5F10	20	121 - 9
M72598	3I20	2	80 - 37	N126654	2H14	4	50 - 35	P46402	5G18	8	121 - 41
M72598	3J10	7	80 - 51	N12679	3B18	26	60 - 11	P46402	5H2	12	121 - 49
M72598	4F22	19	110 - 15	N128541	2H14	5	50 - 35	P46402	5H6	19	121 - 53
M72598	4F24	19	110 - 17	N130510	2H14	8	50 - 35	P46402	5H16	1	121 - 63
M72598	4G2	19	110 - 19	N139123	5G6	13	121 - 29	P46402	5H20	27	121 - 67
M72598	4G6	6	110 - 23	N14820	5H10	8	121 - 57	P46402	6C9	7	125 - 27
M72598	6D4	3	125 - 47	N14822	4E11	25	90 - 79	P46402	6E5	9	125 - 73
M73000	4F16	11	110 - 9	N15764	6F14	4	130 - 17	P46402	6F19	11	130 - 23
M73000	4H6	22	110 - 49	N15764	6F15	4	130 - 18	P46770	5F14	4	121 - 13
M78494	1F19	3	30 - 19	N165696	5C6	17	120 - 23	P46874	4H4	5	110 - 47
M80082	2C6	1	40 - 21	N165696	5H6	14	121 - 53	P46874	4H12	5	110 - 55
M80082	6D24	39	125 - 67	N165696	5H20	3	121 - 67	P46874	6F17	10	130 - 21
M82321	2C4	1	40 - 19	N183269	5H20	15	121 - 67	P47140	3B10	23	60 - 3
M82321	2C6	1	40 - 21	N188381	3E2	21	70 - 21	P47159	3H12	17	80 - 5
M84309	5E6	14	120 - 73	N189220	6G23	29	130 - 51	P47885	6B21	6	125 - 13

## NUMERICAL INDEX - CONTINUED

PART NO.	GRID	KEY	PAGE	PART NO.	GRID	KEY	PAGE	PART NO.	GRID	KEY	PAGE
P48347	2H12	17	50 - 33	RE12363	2D8	16	40 - 47	RE33636	1F9	8	30 - 9
P48347	3E16	4	70 - 35	RE12363	2D12	1	40 - 51	RE33636	1F10	8	30 - 10
P48691	5G10	28	121 - 33	RE12363	2D18	4	40 - 57	RE34128	1E6	10	26 - 59
P48925	4D9	2	90 - 51	RE12363	2D22	23	40 - 61	RE34128	1E8	4	26 - 61
P49604	6H20	9	170 - 4	RE12363	2D22	24	40 - 61	RE35161	4B19	1	90 - 11
P50456	4F10	23	110 - 3	RE12363	2E12	5	40 - 75	RE35684	1E4	8	26 - 57
P50456	4H6	7	110 - 49	RE12363	2E14	1	40 - 77	RE35684	1E6	8	26 - 59
P50456	5G2	14	121 - 25	RE12363	2F15	11	40 - 103	RE35992	1C6	3	26 - 2
P51212	4E11	3	90 - 79	RE12363	3D8	13	70 - 3	RE36151	1E7	8	26 - 60
P51212	4E13	1	90 - 81	RE12363	3F6	15	70 - 49	RE36259	1F13	5	30 - 13
P51212	4E15	1	90 - 83	RE12364	1E14	16	26 - 67	RE36285	1D21	2	26 - 49
P5403H	5B23	15	120 - 15	RE12364	2E14	13	40 - 77	RE36367	1D10	2	26 - 35
P5403H	5C2	..	120 - 19	RE12364	2F15	16	40 - 103	RE36421	1E2	29	26 - 55
RE10258	1E8	4	26 - 61	RE12364	2F15	16	40 - 103	RE37626	4F12	17	110 - 5
RE10259	1E8	4	26 - 61	RE12365	1E14	20	26 - 67	RE37651	2F7	16	40 - 95
RE10973	4E20	5	90 - 89	RE12365	2E14	9	40 - 77	RE38288	1D23	..	26 - 51
RE10974	4E16	11	90 - 84	RE12365	2F15	20	40 - 103	RE38331	1D23	1	26 - 51
RE10975	4E16	13	90 - 84	RE12366	1E14	25	26 - 67	RE38345	1D23	1	26 - 51
RE10976	4E18	1	90 - 86	RE12366	2D6	6	40 - 45	RE38346	1D22	..	26 - 50
RE10977	4E20	6	90 - 89	RE12366	2E14	11	40 - 77	RE38828	1D8	2	26 - 32
RE10978	4E20	3	90 - 89	RE12366	2F11	1	40 - 99	RE38828	1D8	2	26 - 32
RE10979	4E20	1	90 - 89	RE12366	2F15	25	40 - 103	RE39121	1D13	15	26 - 39
RE10980	4E16	4	90 - 84	RE12927	4F6	7	90 - 99	RE39121	1D14	6	26 - 40
RE10981	4E16	1	90 - 84	RE13541	4D2	24	90 - 43	RE39131	2H24	6	50 - 45
RE10982	4E16	2	90 - 84	RE15807	1E2	27	26 - 55	RE39241	1E20	6	26 - 73
RE11154	2F19	57	40 - 107	RE15808	1E2	28	26 - 55	RE39243	1E20	9	26 - 73
RE11154	2F21	40	40 - 109	RE21790	1D25	2	26 - 53	RE39245	1E20	10	26 - 73
RE11156	2F19	36	40 - 107	RE21790	1F9	5	30 - 9	RE39247	1E20	14	26 - 73
RE11157	2F7	15	40 - 95	RE21790	1F10	5	30 - 10	RE39249	1E20	3	26 - 73
RE11157	2F19	37	40 - 107	RE22642	2H22	16	50 - 43	RE39250	1E20	11	26 - 73
RE11410	1D2	3	26 - 25	RE22764	1C16	1	26 - 13	RE39251	1E20	1	26 - 73
RE12049	4D2	1	90 - 43	RE22764	1C21	5	26 - 18	RE39889	1D7	9	26 - 31
RE12180	2D14	8	40 - 53	RE23182	1C6	2	26 - 2	RE39890	1D10	16	26 - 35
RE12325	3C19	14	60 - 36	RE24045	1D3	11	26 - 26	RE40048	1F15	4	30 - 15
RE12325	3C20	14	60 - 37	RE24046	1D3	13	26 - 26	RE41758	1E18	10	26 - 71
RE12325	3C21	10	60 - 38	RE24307	2D14	6	40 - 53	RE41758	1E18	11	26 - 71
RE12326	3C19	5	60 - 36	RE24307	4E13	5	90 - 81	RE41811	1C25	1	26 - 22
RE12326	3C20	5	60 - 37	RE24307	4E15	5	90 - 83	RE41821	1C19	5	26 - 16
RE12326	3C20	5	60 - 37	RE24468	1E4	24	26 - 57	RE41821	1C19	6	26 - 16
RE12326	3C21	5	60 - 38	RE24975	1E17	3	26 - 70	RE41991	1F17	1	30 - 17
RE12330	1E14	14	26 - 67	RE25253	1E2	16	26 - 55	RE41991	1F17	13	30 - 17
RE12330	2F15	14	40 - 103	RE25253	1E10	11	26 - 63	RE42107	1D14	6	26 - 40
RE12331	1E14	12	26 - 67	RE25665	1D21	15	26 - 49	RE42151	1E16	37	26 - 69
RE12331	2F15	12	40 - 103	RE25998	1D21	2	26 - 49	RE42383	1C24	3	26 - 21
RE12332	1E14	18	26 - 67	RE25998	1D22	1	26 - 50	RE42588	1C12	1	26 - 9
RE12332	2E14	12	40 - 77	RE27091	1E12	11	26 - 65	RE42741	1D2	18	26 - 25
RE12332	2F15	18	40 - 103	RE27837	2I3	5	50 - 49	RE42777	1E20	6	26 - 73
RE12333	1E14	21	26 - 67	RE28217	1E4	23	26 - 57	RE42777	1E21	10	26 - 74
RE12333	2F15	21	40 - 103	RE28217	1E6	23	26 - 59	RE43166	1D13	20	26 - 39
RE12334	1E14	8	26 - 67	RE28320	1E4	1	26 - 57	RE43166	1E18	..	26 - 71
RE12334	2F15	8	40 - 103	RE28320	1E6	1	26 - 59	RE43266	1E18	10	26 - 71
RE12362	1E14	4	26 - 67	RE29179	1E10	8	26 - 63	RE43266	1E18	11	26 - 71
RE12362	2B13	11	40 - 3	RE29488	1D22	1	26 - 50	RE43266	1E20	6	26 - 73
RE12362	2D6	22	40 - 45	RE29859	1E16	19	26 - 69	RE43266	1E20	..	26 - 73
RE12362	2E14	7	40 - 77	RE30295	1E4	24	26 - 57	RE43369	1E4	21	26 - 57
RE12362	2F15	4	40 - 103	RE30833	1E4	5	26 - 57	RE43369	1E6	21	26 - 59
RE12363	1E14	11	26 - 67	RE30833	1E6	5	26 - 59	RE43423	1E18	11	26 - 71
RE12363	2B13	12	40 - 3	RE30920	1E4	3	26 - 57	RE43423	1E20	..	26 - 73
RE12363	2B23	2	40 - 13	RE30920	1E6	3	26 - 59	RE43511	1E22	5	26 - 75
RE12363	2C2	11	40 - 17	RE31258	1D22	1	26 - 50	RE43978	1D21	3	26 - 49
RE12363	2C22	11	40 - 37	RE31504	1E4	28	26 - 57	RE44518	1D21	2	26 - 49
RE12363	2C24	14	40 - 39	RE31701	2H22	6	50 - 43	RE45329	1E18	10	26 - 71
RE12363	2C24	16	40 - 39	RE32824	2H22	10	50 - 43	RE45329	1E18	11	26 - 71
RE12363	2D2	4	40 - 41	RE32856	1D11	10	26 - 36	RE45329	1E21	1	26 - 74
RE12363	2D2	13	40 - 41	RE33336	2H20	1	50 - 41	RE45329	1E21	8	26 - 74
RE12363	2D4	7	40 - 43	RE33337	2H20	1	50 - 41	RE45330	1E21	11	26 - 74
RE12363	2D4	20	40 - 43	RE33338	2H20	1	50 - 41	RE45337	1D13	10	26 - 39
RE12363	2D6	23	40 - 45	RE33339	2H20	1	50 - 41	RE45337	1D14	3	26 - 40

## NUMERICAL INDEX - CONTINUED

PART NO.	GRID	KEY	PAGE	PART NO.	GRID	KEY	PAGE	PART NO.	GRID	KEY	PAGE
RE46252	1E4	17	26-57	RE54416	1E18	10	26-71	RE70105	1D21	2	26-49
RE46252	1E6	17	26-59	RE54416	1E18	11	26-71	RE70922	1D21	2	26-49
RE46252	1E8	6	26-61	RE54416	1E20	6	26-73	RE70923	1D21	2	26-49
RE46380	1D10	14	26-35	RE54416	1E20	..	26-73	RG22248	1E16	19	26-69
RE46657	4E15	16	90-83	RE55277	2C18	20	40-33	RG22789	1C17	1	26-14
RE46657	4E21	..	90-90	RE55278	2C18	20	40-33	RG22793	1C16	1	26-13
RE47120	1E2	11	26-55	RE55444	1C12	1	26-9	RG23426	1C17	1	26-14
RE47336	1D2	19	26-25	RE55511	1D21	3	26-49	RG23551	1C19	2	26-16
RE47336	1E16	18	26-69	RE56053	1E18	11	26-71	RG23551	1C19	5	26-16
RE47396	1D21	2	26-49	RE56053	1E20	..	26-73	RG23551	1C19	8	26-16
RE47396	1E4	10	26-57	RE57054	1C24	3	26-21	RG24026	1D2	..	26-25
RE47426	1E2	7	26-55	RE57372	1D21	2	26-49	RG25273	1C10	1	26-7
RE47427	1E2	6	26-55	RE57372	1E6	10	26-59	RG25825	1C10	1	26-7
RE47428	1E2	4	26-55	RE57394	1D10	12	26-35	RG27884	1E16	19	26-69
RE47429	1E2	3	26-55	RE57394	1D10	13	26-35	RG27920	1C16	1	26-13
RE47430	1E2	2	26-55	RE57394	1D10	14	26-35	RG27921	1C16	1	26-13
RE47431	1E2	1	26-55	RE57420	1C8	..	26-5	RG28369	1D13	..	26-39
RE47501	1E12	4	26-65	RE57512	1C18	8	26-15	RV702A	3B10	25	60-3
RE47635	1E12	6	26-65	RE57512	1C18	10	26-15	RV810A	6D24	14	125-67
RE47850	1E12	9	26-65	RE57513	1C18	10	26-15	RV810A	6F2	3	130-5
RE48048	1E8	1	26-61	RE57517	1C18	8	26-15	R100364	1D13	12	26-39
RE48284	4E7	34	90-75	RE58350	1D14	6	26-40	R100367	1D13	11	26-39
RE48310	1F10	11	30-10	RE58463	1C12	1	26-9	R100367	1D14	4	26-40
RE48310	2D16	20	40-55	RE58516	1D2	18	26-25	R100367	1E16	26	26-69
RE48321	1F10	11	30-10	RE59589	1E18	11	26-71	R100369	1D13	9	26-39
RE48380	1C18	8	26-15	RE60294	1C16	1	26-13	R100369	1D14	2	26-40
RE48454	1E17	3	26-70	RE60294	1C18	10	26-15	R100406	1C10	..	26-7
RE48731	1E4	1	26-57	RE60296	1C16	1	26-13	R100499	1D10	5	26-35
RE48731	1E6	1	26-59	RE60386	1C12	1	26-9	R100508	1E20	13	26-73
RE48739	1C18	10	26-15	RE60550	1D8	2	26-32	R100509	1E20	8	26-73
RE49243	2H22	6	50-43	RE62723	1D7	9	26-31	R100511	1E20	7	26-73
RE49290	1E22	1	26-75	RE63090	1E12	6	26-65	R100512	1E20	12	26-73
RE500109	1E6	1	26-59	RE63115	1D7	9	26-31	R100513	1E20	5	26-73
RE501248	1E6	1	26-59	RE63115	1D7	11	26-31	R100569	1D7	10	26-31
RE502146	1E4	1	26-57	RE63514	1D21	2	26-49	R100569	1D8	1	26-32
RE502404	1E4	1	26-57	RE63514	1E6	10	26-59	R100569	1E16	34	26-69
RE502510	1C22	4	26-19	RE63832	4D19	2	90-61	R100727	2I1	7	50-47
RE503256	1F11	10	30-11	RE64206	1C16	1	26-13	R100747	1D21	21	26-49
RE504122	1B15	2	20-9	RE64206	1E16	37	26-69	R100911	1E16	2	26-69
RE504122	1B15	3	20-9	RE64212	1C16	1	26-13	R10093	4E11	5	90-79
RE504122	1B15	5	20-9	RE65052	1C12	1	26-9	R10093	4E13	3	90-81
RE504122	1B15	7	20-9	RE65052	1C14	1	26-11	R10093	4E15	3	90-83
RE504122	1D17	5	26-44	RE65176	1E18	11	26-71	R101042	1D13	2	26-39
RE50868	1C18	8	26-15	RE65693	4D15	1	90-57	R101042	1D14	1	26-40
RE50868	1C18	10	26-15	RE65694	4D15	3	90-57	R101042	1E16	25	26-69
RE51052	4E21	2	90-90	RE65695	4D13	3	90-55	R101043	1D13	14	26-39
RE52113	1E2	16	26-55	RE65696	4D17	1	90-59	R102838	1D18	2	26-45
RE52113	1E10	11	26-63	RE65718	1D21	2	26-49	R102838	1D19	3	26-46
RE52114	1E10	8	26-63	RE66548	1E6	1	26-59	R102838	1E16	9	26-69
RE52277	1D7	9	26-31	RE66554	1D21	2	26-49	R102844	1D10	7	26-35
RE52454	4E21	1	90-90	RE66784	1C16	1	26-13	R102882	1D2	5	26-25
RE52506	4E17	1	90-85	RE66785	1C16	1	26-13	R102932	1D2	18	26-25
RE52506	4E22	1	90-91	RE67013	2F13	5	40-101	R104574	1C8	11	26-5
RE52507	4E23	1	90-92	RE67014	2F13	8	40-101	R104574	1C10	1	26-7
RE52509	4E24	1	90-93	RE67015	2F13	6	40-101	R104574	1C12	1	26-9
RE52510	4E17	2	90-85	RE67208	1D13	20	26-39	R104574	1C14	1	26-11
RE52510	4E22	2	90-91	RE68230	1D13	15	26-39	R104574	1C25	2	26-22
RE52553	4D13	4	90-55	RE68230	1D14	6	26-40	R104587	1C19	4	26-16
RE52555	4D19	1	90-61	RE68316	1D14	6	26-40	R104589	1C24	6	26-21
RE53199	1C19	5	26-16	RE68396	1D19	2	26-46	R104590	1E4	11	26-57
RE53199	1C19	7	26-16	RE68396	1D21	15	26-49	R104590	1E6	11	26-59
RE53199	1C19	8	26-16	RE68396	1D21	16	26-49	R104591	1D13	1	26-39
RE53408	4E17	3	90-85	RE68401	2H22	16	50-43	R104592	1C8	10	26-5
RE53408	4E22	3	90-91	RE68495	2F13	1	40-101	R104592	1D18	1	26-45
RE53470	1C12	1	26-9	RE68844	1D21	3	26-49	R104592	1D19	2	26-46
RE54244	1E12	2	26-65	RE69839	1D13	10	26-39	R104592	1D19	4	26-46
RE54245	1E12	3	26-65	RE69839	1D14	3	26-40	R104595	2C16	6	40-31

## NUMERICAL INDEX - CONTINUED

PART NO.	GRID	KEY	PAGE	PART NO.	GRID	KEY	PAGE	PART NO.	GRID	KEY	PAGE
R104595	2C16	18	40 - 31	R115393	1D19	2	26 - 46	R26375	2J8	28	50 - 79
R104621	1D10	11	26 - 35	R115742	4E21	..	90 - 90	R26375	2J10	1	50 - 81
R104623	1C23	2	26 - 20	R115743	4E17	4	90 - 85	R26375	3B24	5	60 - 17
R104623	1E16	22	26 - 69	R115743	4E22	4	90 - 91	R26375	3C6	1	60 - 23
R104628	1D7	8	26 - 31	R116311	1C19	7	26 - 16	R26375	3D15	1	70 - 10
R104628	1D8	3	26 - 32	R116311	1E17	1	26 - 70	R26375	3D16	2	70 - 11
R104646	1E18	6	26 - 71	R116465	1C23	3	26 - 20	R26375	3D18	5	70 - 13
R104646	1E21	3	26 - 74	R119223	1E12	1	26 - 65	R26375	3E2	12	70 - 21
R104656	1C23	15	26 - 20	R119995	1C10	..	26 - 7	R26375	3E4	33	70 - 23
R104656	1C24	5	26 - 21	R119995	1C12	1	26 - 9	R26375	3E8	3	70 - 27
R104676	1E18	5	26 - 71	R119996	1C10	..	26 - 7	R26375	3E10	1	70 - 29
R104676	1E21	2	26 - 74	R120646	1D18	2	26 - 45	R26375	3E12	11	70 - 31
R104677	1E21	4	26 - 74	R120646	1D19	3	26 - 46	R26375	3E16	9	70 - 35
R104858	1C24	2	26 - 21	R120646	1E16	9	26 - 69	R26375	3E18	19	70 - 37
R104858	1C24	3	26 - 21	R120752	1C19	3	26 - 16	R26375	3E20	17	70 - 39
R104859	1C23	4	26 - 20	R120872	1C24	2	26 - 21	R26375	3E22	8	70 - 41
R104861	1C23	5	26 - 20	R120872	1C24	3	26 - 21	R26375	3E24	18	70 - 43
R104861	1D13	6	26 - 39	R121195	1E4	13	26 - 57	R26375	3F2	18	70 - 45
R104862	1D10	15	26 - 35	R121195	1E6	13	26 - 59	R26375	3F4	7	70 - 47
R105346	1D21	19	26 - 49	R121320	1D2	8	26 - 25	R26375	3F6	2	70 - 49
R105346	1E16	5	26 - 69	R121489	1D2	21	26 - 25	R26375	3F8	1	70 - 51
R105379	1C24	2	26 - 21	R121490	1D2	7	26 - 25	R26375	3G8	9	70 - 79
R105506	1C23	3	26 - 20	R121491	1D2	6	26 - 25	R26375	4F12	30	110 - 5
R105581	4D2	13	90 - 43	R122112	1D2	18	26 - 25	R26375	5G4	20	121 - 27
R105732	1D13	4	26 - 39	R122491	1D2	18	26 - 25	R26375	6D14	10	125 - 57
R105732	1D13	19	26 - 39	R122595	1D24	2	26 - 52	R26375	6D16	14	125 - 59
R105732	1E23	5	26 - 76	R122618	1D21	17	26 - 49	R26375	6F17	15	130 - 21
R107623	1C8	11	26 - 5	R122736	1C10	..	26 - 7	R26375	6H12	4	160 - 2
R107734	2D24	11	40 - 63	R122736	1C12	1	26 - 9	R26448	1E8	3	26 - 61
R107823	4D25	6	90 - 67	R122736	1C14	1	26 - 11	R26448	1F7	9	30 - 7
R108400	1E23	1	26 - 76	R122737	1C10	..	26 - 7	R26448	2H12	20	50 - 33
R108604	1D16	16	26 - 43	R123145	4E16	6	90 - 84	R26448	2H13	20	50 - 34
R108630	1D16	23	26 - 43	R124186	1D10	8	26 - 35	R26448	2H16	19	50 - 37
R108867	1D10	9	26 - 35	R124746	1D7	11	26 - 31	R26448	2H18	21	50 - 39
R109717	1C24	2	26 - 21	R125027	1C21	3	26 - 18	R26448	2I8	7	50 - 54
R109717	1C24	3	26 - 21	R128557	1D10	1	26 - 35	R26448	2I9	7	50 - 55
R109859	1D16	16	26 - 43	R128557	1E16	33	26 - 69	R26448	2J6	10	50 - 77
R110126	1C24	2	26 - 21	R128558	1D10	3	26 - 35	R26448	2J6	33	50 - 77
R110126	1D3	15	26 - 26	R128558	1E16	29	26 - 69	R26448	2J8	10	50 - 79
R110286	1D2	21	26 - 25	R133617	2B17	17	40 - 7	R26448	2J8	27	50 - 79
R110288	1D2	7	26 - 25	R133617	4C18	17	90 - 35	R26448	2J16	1	50 - 87
R110289	1D2	6	26 - 25	R134429	1D18	1	26 - 45	R26448	3B24	14	60 - 17
R111995	2H22	1	50 - 43	R134727	1D10	5	26 - 35	R26448	3C12	1	60 - 29
R111995	2H22	6	50 - 43	R136083	1D3	3	26 - 26	R26448	3D12	17	70 - 7
R112038	1E23	6	26 - 76	R15036	2E2	14	40 - 65	R26448	3E2	22	70 - 21
R112053	1C24	7	26 - 21	R1612R	1C8	8	26 - 5	R26448	3E4	27	70 - 23
R112267	1C23	9	26 - 20	R1818R	2G24	4	50 - 20	R26448	3E6	19	70 - 25
R112267	1D13	4	26 - 39	R20135	5G20	3	121 - 43	R26448	3E10	23	70 - 29
R112267	1D13	5	26 - 39	R20136	4F10	27	110 - 3	R26448	3F4	2	70 - 47
R112268	1C23	8	26 - 20	R20136	4H6	11	110 - 49	R26448	3F6	10	70 - 49
R112268	1D13	14	26 - 39	R21612	3B16	27	60 - 9	R26448	3F10	4	70 - 53
R112269	1C23	6	26 - 20	R26058	1C21	4	26 - 18	R26448	3F10	6	70 - 53
R112269	1D13	4	26 - 39	R26058	1E16	35	26 - 69	R26448	3F13	27	70 - 57
R112273	1C23	10	26 - 20	R26079	1D3	8	26 - 26	R26448	3F16	22	70 - 60
R11278	2C20	5	40 - 35	R26081	1D3	2	26 - 26	R26448	3F18	22	70 - 62
R112857	2H6	26	50 - 27	R26192	3C2	28	60 - 19	R26448	3F24	3	70 - 69
R112857	2H18	38	50 - 39	R26192	3C2	30	60 - 19	R26448	3G2	3	70 - 73
R113050	4E11	3	90 - 79	R26192	4E3	28	90 - 71	R26448	3G4	20	70 - 75
R113050	4E15	1	90 - 83	R26192	4E3	30	90 - 71	R26448	3G8	7	70 - 79
R114130	1C8	2	26 - 5	R26207	2G10	6	50 - 6	R26448	3G10	14	70 - 81
R114130	1E6	14	26 - 59	R26265	2G21	7	50 - 17	R26448	3G20	9	70 - 91
R114130	1E18	2	26 - 71	R26333	1E17	4	26 - 70	R26448	3H4	9	70 - 99
R114160	1D16	6	26 - 43	R26375	2D16	24	40 - 55	R26448	6D8	17	125 - 51
R115050	1C21	3	26 - 18	R26375	2G24	2A	50 - 20	R26448	6H12	8	160 - 2
R115368	1E10	5	26 - 63	R26375	2G24	11	50 - 20	R26501	3C4	30	60 - 21
R115369	1E10	3	26 - 63	R26375	2I5	12	50 - 51	R26501	4E5	30	90 - 73
R115369	1E10	5	26 - 63	R26375	2J6	34	50 - 77	R26524	3C4	32	60 - 21

## NUMERICAL INDEX - CONTINUED

PART NO.	GRID	KEY	PAGE	PART NO.	GRID	KEY	PAGE	PART NO.	GRID	KEY	PAGE
R26524	4E5	32	90 - 73	R28811	1C22	3	26 - 19	R39503	1D21	9	26 - 49
R26559	1D3	4	26 - 26	R29936	2J2	21	50 - 73	R39554	3C2	3	60 - 19
R26650	2H22	15	50 - 43	R29936	2J4	14	50 - 75	R39554	3C2	8	60 - 19
R26650	2H24	5	50 - 45	R29936	2J8	35	50 - 79	R39554	4E3	3	90 - 71
R26748	1D3	12	26 - 26	R29936	2J17	9	50 - 88	R39554	4E3	8	90 - 71
R26906	2H8	2	50 - 29	R29936	3B24	12	60 - 17	R39741	1C8	4	26 - 5
R26906	2H14	2	50 - 35	R29936	3D20	2	70 - 15	R39825	1F13	18	30 - 13
R26906	3D9	13	70 - 4	R29936	3D22	2	70 - 17	R39876	2I1	2	50 - 47
R26906	3D10	13	70 - 5	R29936	3E24	15	70 - 43	R41285	1D13	7	26 - 39
R26906	3D20	5	70 - 15	R29936	3F2	15	70 - 45	R41285	1D16	..	26 - 43
R26906	3D22	5	70 - 17	R29936	3F8	15	70 - 51	R41934	1C19	1	26 - 16
R26906	3E15	14	70 - 34	R29936	3F8	24	70 - 51	R42009	3B20	6	60 - 13
R26906	3E24	1	70 - 43	R29936	6D10	5	125 - 53	R42340	1C8	7	26 - 5
R26906	3F2	1	70 - 45	R29936	6D12	13	125 - 55	R42365	1C8	14	26 - 5
R26906	3F6	17	70 - 49	R30378	2F19	43	40 - 107	R42729	1B19	2	20 - 13
R26906	3F8	14	70 - 51	R30399	3C24	15	60 - 41	R42729	1E4	15	26 - 57
R26906	3F11	17	70 - 54	R30815	3D16	6	70 - 11	R42926	2I10	1	50 - 56
R26906	3F16	16	70 - 60	R30815	3E2	13	70 - 21	R42926	3H5	1	70 - 100
R26906	3F17	16	70 - 61	R30903	2H8	6	50 - 29	R43305	5F14	6	121 - 13
R26906	3F18	16	70 - 62	R30903	3F15	14	70 - 59	R43383	5D14	16	120 - 57
R26906	3F22	16	70 - 67	R31250	2D22	13	40 - 61	R43383	5D22	21	120 - 65
R26906	3H4	2	70 - 99	R31378	4G25	2	110 - 43	R43621	1C8	12	26 - 5
R26906	4F12	33	110 - 5	R31674	2I8	4	50 - 54	R43660	1D10	12	26 - 35
R26906	5F16	8	121 - 15	R31674	2I9	4	50 - 55	R44302	1E18	9	26 - 71
R26906	6D12	11	125 - 55	R31890	4D2	15	90 - 43	R44302	1E21	7	26 - 74
R26906	6D14	18	125 - 57	R32011	2F21	8	40 - 109	R44302	2B21	..	40 - 11
R26906	6D16	10	125 - 59	R32016	2F21	10	40 - 109	R44302	2D16	11	40 - 55
R26906	6H13	14	160 - 3	R32017	2F21	11	40 - 109	R44302	2D16	34	40 - 55
R27149	1C8	24	26 - 5	R32018	2F21	12	40 - 109	R44302	2F9	5	40 - 97
R27166	2H16	9	50 - 37	R32019	2F21	13	40 - 109	R44302	3E12	4	70 - 31
R27175	2H14	1	50 - 35	R32021	2F21	14	40 - 109	R44302	3E20	20	70 - 39
R27175	2H18	31	50 - 39	R32022	2F21	15	40 - 109	R44302	3E22	13	70 - 41
R27218	2H12	21	50 - 33	R32023	2F21	16	40 - 109	R44302	6G14	6	130 - 43
R27218	2H13	21	50 - 34	R32024	2F22	3	40 - 110	R44342	3C2	38	60 - 19
R27218	2H16	20	50 - 37	R32025	2F22	4	40 - 110	R44342	4E3	38	90 - 71
R27218	2I8	8	50 - 54	R32026	2F19	48	40 - 107	R45182	2I8	3	50 - 54
R27218	2I9	8	50 - 55	R32026	2F21	17	40 - 109	R45182	2I9	3	50 - 55
R27218	3F4	6	70 - 47	R32027	2F5	1	40 - 93	R45187	2I10	3	50 - 56
R27218	3F6	13	70 - 49	R32027	2F21	18	40 - 109	R45187	3H5	3	70 - 100
R27441	4D25	18	90 - 67	R32028	2F21	19	40 - 109	R45638	2I10	4	50 - 56
R27443	1D3	9	26 - 26	R32176	2E10	11	40 - 73	R45638	3H5	4	70 - 100
R27474	5F16	9	121 - 15	R32214	2H22	13	50 - 43	R45847	4F2	5	90 - 95
R27564	3F11	14	70 - 54	R32214	2I7	4	50 - 53	R46414	3D15	3	70 - 10
R27564	5G10	42	121 - 33	R32239	3D8	12	70 - 3	R46414	3I20	4	80 - 37
R27796	2G23	7	50 - 19	R33058	4F12	8	110 - 5	R46414	4E7	7	90 - 75
R27928	3E15	6	70 - 34	R33079	4F12	3	110 - 5	R46414	4E11	15	90 - 79
R27928	6H13	6	160 - 3	R33088	4F12	5	110 - 5	R46479	1D16	13	26 - 43
R28583	1D25	3	26 - 53	R33138	2G24	2A	50 - 20	R46479	1E16	17	26 - 69
R28583	1F9	7	30 - 9	R33138	2G24	12	50 - 20	R46701	2I10	5	50 - 56
R28583	1F10	7	30 - 10	R33138	3F6	1	70 - 49	R46701	3H5	5	70 - 100
R28776	3E15	1	70 - 34	R33259	4E11	2	90 - 79	R47074	1C21	1	26 - 18
R28776	3F6	4	70 - 49	R33259	4E13	19	90 - 81	R47160	1D25	1	26 - 53
R28776	6H13	1	160 - 3	R33521	3F6	33	70 - 49	R47160	1F9	6	30 - 9
R28782	2D16	23	40 - 55	R34337	2C12	8	40 - 27	R47160	1F10	6	30 - 10
R28782	2H10	36	50 - 31	R34337	2C14	15	40 - 29	R47449	3F6	26	70 - 49
R28782	2H14	10	50 - 35	R34404	2H12	17	50 - 33	R47460	2E2	11	40 - 65
R28782	2I1	10	50 - 47	R34404	2H13	17	50 - 34	R47693	1B15	5	20 - 9
R28782	2I8	9	50 - 54	R35352	2H1	6	50 - 22	R47693	1D17	4	26 - 44
R28782	2I9	9	50 - 55	R35542	6G25	3	130 - 53	R47998	3C2	37	60 - 19
R28782	2J6	17	50 - 77	R35794	3B24	16	60 - 17	R47998	4E3	37	90 - 71
R28782	2J8	17	50 - 79	R36119	1B9	17	20 - 3	R48693	1E4	7	26 - 57
R28782	3D15	9	70 - 10	R375R	3E16	4	70 - 35	R48693	1E6	7	26 - 59
R28782	3F4	10	70 - 47	R38131	5G14	36	121 - 37	R48887	2F17	17	40 - 105
R28782	3F6	14	70 - 49	R39081	4F12	16	110 - 5	R49377	1D11	1	26 - 36
R28782	3F13	20	70 - 57	R39112	2I5	13	50 - 51	R49377	1E16	32	26 - 69
R28782	3F15	19	70 - 59	R39112	3F4	8	70 - 47	R495R	2G19	17	50 - 15
R28782	3G20	6	70 - 91	R394R	2G19	7	50 - 15	R495R	4G6	3	110 - 23

**NUMERICAL INDEX - CONTINUED**

PART NO.	GRID	KEY	PAGE	PART NO.	GRID	KEY	PAGE	PART NO.	GRID	KEY	PAGE
R49856	4E13	..	90 - 81	R56930	3G14	19	70 - 85	R62930	1D7	1	26 - 31
R49856	4E16	..	90 - 84	R56930	3G16	21	70 - 87	R62938	1D7	2	26 - 31
R49866	1D4	5	26 - 27	R56930	3G20	5	70 - 91	R62986	1C20	1	26 - 17
R49866	1E16	16	26 - 69	R57158	1C8	16	26 - 5	R62987	1C20	2	26 - 17
R500055	1D10	9	26 - 35	R57159	1C8	16	26 - 5	R62988	1C20	2	26 - 17
R500330	1D10	7	26 - 35	R57269	2H22	7	50 - 43	R63002	1C20	2	26 - 17
R501414	1C22	4	26 - 19	R57583	1C18	7	26 - 15	R63003	1C20	2	26 - 17
R50405	1E16	3	26 - 69	R57584	1C20	3	26 - 17	R63004	1C20	2	26 - 17
R50456	4B13	10	90 - 5	R57696	1D7	5	26 - 31	R63005	1C20	2	26 - 17
R50456	4F2	19	90 - 95	R57696	1D16	19	26 - 43	R63006	1C20	2	26 - 17
R50642	6F23	19	130 - 27	R57725	1B19	1	20 - 13	R63007	1C20	2	26 - 17
R50770	5G24	12	121 - 47	R57771	1C16	1	26 - 13	R63008	1C20	2	26 - 17
R50875	6G10	20	130 - 39	R57771	1C18	2	26 - 15	R63009	1C20	2	26 - 17
R50901	1E20	4	26 - 73	R58109	1D24	2	26 - 52	R63010	1C20	1	26 - 17
R50902	1E20	2	26 - 73	R58186	1E2	5	26 - 55	R63016	1E7	10	26 - 60
R51031	2H10	33	50 - 31	R58186	1E2	9	26 - 55	R63308	2H6	30	50 - 27
R51031	2H14	17	50 - 35	R58806	4C15	3	90 - 32	R63308	2J12	2	50 - 83
R51031	2I1	11	50 - 47	R59009	4D2	11	90 - 43	R63308	2J14	2	50 - 85
R51031	2I8	10	50 - 54	R59011	4D2	16	90 - 43	R63326	1C19	2	26 - 16
R51031	2I9	10	50 - 55	R59012	4D2	12	90 - 43	R63666	2C12	13	40 - 27
R51603	1E16	14	26 - 69	R59013	4D25	14	90 - 67	R63666	2C14	31	40 - 29
R51936	1E2	21	26 - 55	R59015	4D2	5	90 - 43	R63667	2C12	14	40 - 27
R51936	1E2	26	26 - 55	R59015	4D25	12	90 - 67	R63667	2C14	30	40 - 29
R51936	1E4	2	26 - 57	R59018	4D2	14	90 - 43	R63668	2C12	15	40 - 27
R51936	1E6	2	26 - 59	R59019	4D2	2	90 - 43	R63668	2C14	29	40 - 29
R51937	1E2	19	26 - 55	R59020	4D25	10	90 - 67	R63669	2C12	16	40 - 27
R51937	1E2	32	26 - 55	R59021	4D25	7	90 - 67	R63669	2C14	28	40 - 29
R52015	2H2	3	50 - 23	R59022	4D25	13	90 - 67	R63670	2C12	34	40 - 27
R53014	1C8	21	26 - 5	R59023	4D25	8	90 - 67	R63670	2C14	23	40 - 29
R53014	2D16	15	40 - 55	R59028	4D25	2	90 - 67	R63845	1D24	6	26 - 52
R53108	1E16	36	26 - 69	R59029	4D25	4	90 - 67	R63845	1E4	12	26 - 57
R53108	1E18	1	26 - 71	R59070	4D25	1	90 - 67	R63845	1E6	12	26 - 59
R53169	5F24	14	121 - 23	R59297	1E2	8	26 - 55	R63980	3F6	5	70 - 49
R53292	1C18	5	26 - 15	R59297	1E2	10	26 - 55	R64056	2C16	13	40 - 31
R53543	2H10	30	50 - 31	R59298	1E2	8	26 - 55	R64058	2C16	16	40 - 31
R53665	4D2	21	90 - 43	R59298	1E2	10	26 - 55	R64059	2C16	12	40 - 31
R53665	4D25	17	90 - 67	R59305	1E2	5	26 - 55	R64060	2C16	10	40 - 31
R53884	1E7	3	26 - 60	R59305	1E2	9	26 - 55	R64061	2C16	4	40 - 31
R53899	1E4	..	26 - 57	R60170	4E11	19	90 - 79	R64698	2I10	10	50 - 56
R53899	1E6	..	26 - 59	R60172	4E11	18	90 - 79	R64698	3H5	10	70 - 100
R53899	1E7	7	26 - 60	R60239	2I5	4	50 - 51	R65553	1D3	3	26 - 26
R53899	1E12	7	26 - 65	R60458	4D2	9	90 - 43	R65569	4C22	2	90 - 39
R53899	1E16	27	26 - 69	R60472	1C20	3	26 - 17	R65569	4F14	2	110 - 7
R53901	1E7	9	26 - 60	R60473	1C20	3	26 - 17	R65593	2F21	2	40 - 109
R53901	1E16	27	26 - 69	R60474	1C20	3	26 - 17	R65594	2F21	9	40 - 109
R54025	1E8	2	26 - 61	R60475	1C20	3	26 - 17	R65595	2F17	11	40 - 105
R54123	1B15	4	20 - 9	R60485	1C18	7	26 - 15	R65595	2F21	21	40 - 109
R54123	1D17	7	26 - 44	R60486	1C18	7	26 - 15	R65596	2F21	22	40 - 109
R54380	2H1	8	50 - 22	R60487	1C18	7	26 - 15	R65597	2F21	23	40 - 109
R54445	2C16	6	40 - 31	R60488	1C18	7	26 - 15	R65598	2F21	24	40 - 109
R54445	2C16	18	40 - 31	R60730	3B10	15	60 - 3	R65599	2F21	25	40 - 109
R54447	2C16	3	40 - 31	R60730	4C4	8	90 - 21	R65600	2F21	26	40 - 109
R54510	1B15	2	20 - 9	R60730	4C6	8	90 - 23	R65601	2F21	27	40 - 109
R54510	1D17	2	26 - 44	R61144	1E2	5	26 - 55	R65602	2F19	49	40 - 107
R54511	1B15	3	20 - 9	R61144	1E2	9	26 - 55	R65602	2F21	28	40 - 109
R54511	1D17	3	26 - 44	R61145	1E2	8	26 - 55	R65603	2F21	29	40 - 109
R54565	1D3	1	26 - 26	R61288	1C8	19	26 - 5	R65604	2F21	30	40 - 109
R54856	1E22	6	26 - 75	R61289	1C20	3	26 - 17	R65605	2F21	31	40 - 109
R55326	2E5	4	40 - 68	R61497	1D5	1	26 - 28	R65606	2F21	32	40 - 109
R55326	5D10	13	120 - 53	R61608	1C20	3	26 - 17	R65607	2F19	46	40 - 107
R55396	1E4	14	26 - 57	R61609	1C20	3	26 - 17	R65607	2F21	33	40 - 109
R55396	1E6	14	26 - 59	R61610	1C20	3	26 - 17	R65608	2F21	3	40 - 109
R55396	1E18	2	26 - 71	R61611	1C20	3	26 - 17	R65609	2F21	6	40 - 109
R55408	1B9	32	20 - 3	R61862	4D25	9	90 - 67	R65610	2F21	7	40 - 109
R56722	5H4	27	121 - 51	R62502	4F10	34	110 - 3	R66197	4F12	1	110 - 5
R56782	3F6	6	70 - 49	R62502	4H6	14	110 - 49	R66319	2F21	1	40 - 109
R56930	3G12	17	70 - 83	R62930	1C8	13	26 - 5	R66320	2F17	24	40 - 105

**NUMERICAL INDEX - CONTINUED**

PART NO.	GRID	KEY	PAGE	PART NO.	GRID	KEY	PAGE	PART NO.	GRID	KEY	PAGE
R66320	2F21	5	40 - 109	R70222	2F19	38	40 - 107	R77394	4E16	12	90 - 84
R66321	2F17	24	40 - 105	R70268	1C8	15	26 - 5	R77396	4E20	7	90 - 89
R66321	2F21	4	40 - 109	R70826	1D3	6	26 - 26	R77397	4E20	2	90 - 89
R66452	1C16	1	26 - 13	R71074	1C18	6	26 - 15	R77399	4E20	4	90 - 89
R66452	1C18	4	26 - 15	R71144	2G24	7	50 - 20	R77400	4E16	6	90 - 84
R66626	4H14	7	110 - 57	R71208	1D3	7	26 - 26	R77401	4E16	5	90 - 84
R66718	3H16	19	80 - 9	R71212	1E2	8	26 - 55	R77456	2F17	27	40 - 105
R67092	1E12	5	26 - 65	R71351	1F11	5	30 - 11	R77457	2C20	11	40 - 35
R67230	2D14	9	40 - 53	R71398	1E2	8	26 - 55	R77457	2D4	15	40 - 43
R67264	1E4	20	26 - 57	R71398	1E2	9	26 - 55	R77457	2E14	3	40 - 77
R67264	1E6	20	26 - 59	R71711	2H24	7	50 - 45	R77457	2F17	29	40 - 105
R67364	1E4	9	26 - 57	R71756	5G14	10	121 - 37	R77458	2C24	8	40 - 39
R67364	1E6	9	26 - 59	R71758	5G14	6	121 - 37	R77458	2F17	28	40 - 105
R67364	1E7	11	26 - 60	R71918	1E16	31	26 - 69	R77459	2F7	14	40 - 95
R67377	2D22	10	40 - 61	R72032	5F24	9	121 - 23	R77459	2F17	28	40 - 105
R67879	1E7	6	26 - 60	R72328	1D13	3	26 - 39	R77460	2F17	28	40 - 105
R67879	1E8	5	26 - 61	R72328	1D16	22	26 - 43	R77461	2F17	28	40 - 105
R68035	1E10	1	26 - 63	R72328	1E16	12	26 - 69	R77462	2F17	25	40 - 105
R68036	1E10	4	26 - 63	R72659	6D10	8	125 - 53	R77463	2C20	10	40 - 35
R68037	1E10	4	26 - 63	R72853	1C23	12	26 - 20	R77463	2C20	11	40 - 35
R68038	1E10	4	26 - 63	R72853	1D21	11	26 - 49	R77463	2C22	2	40 - 37
R68039	1E10	4	26 - 63	R72853	1E4	27	26 - 57	R77463	2C22	3	40 - 37
R68040	1E10	4	26 - 63	R73102	2H24	2	50 - 45	R77463	2D4	13	40 - 43
R68041	1E10	4	26 - 63	R73102	2I5	2	50 - 51	R77463	2E14	3	40 - 77
R68042	1E10	4	26 - 63	R73271	1C22	4	26 - 19	R77463	2F17	30	40 - 105
R68043	1E10	4	26 - 63	R73290	4F24	27	110 - 17	R77464	2B13	16	40 - 3
R68044	1E10	4	26 - 63	R73290	4G2	27	110 - 19	R77464	2B13	18	40 - 3
R68045	1E10	4	26 - 63	R73384	4C22	13	90 - 39	R77464	2F17	26	40 - 105
R68046	1E10	4	26 - 63	R73384	4F14	13	110 - 7	R77464	3F24	17	70 - 69
R68047	1E10	4	26 - 63	R73498	1F10	10	30 - 10	R77464	3G2	17	70 - 73
R68048	1E10	4	26 - 63	R73858	1E4	18	26 - 57	R77465	2B23	5	40 - 13
R68049	1E10	4	26 - 63	R73858	1E6	18	26 - 59	R77465	2B23	6	40 - 13
R68050	1E10	4	26 - 63	R74008	1C16	1	26 - 13	R77465	2C20	7	40 - 35
R68051	1E10	4	26 - 63	R74008	1C18	3	26 - 15	R77465	2C20	10	40 - 35
R68052	1E10	4	26 - 63	R74030	1E2	9	26 - 55	R77465	2C20	12	40 - 35
R68053	1E10	5	26 - 63	R74689	2H25	4	50 - 46	R77465	2C22	2	40 - 37
R68102	2H24	4	50 - 45	R74690	2H25	2	50 - 46	R77465	2C22	3	40 - 37
R68824	5F20	11	121 - 19	R74693	2H25	6	50 - 46	R77465	2C22	3	40 - 37
R69089	1E10	2	26 - 63	R74693	2H25	7	50 - 46	R77465	2C24	15	40 - 39
R69089	1E16	14	26 - 69	R74694	2H25	6	50 - 46	R77465	2D4	16	40 - 43
R69536	2I1	8	50 - 47	R74694	2H25	7	50 - 46	R77465	2E14	3	40 - 77
R69536	2I5	6	50 - 51	R74696	2H25	3	50 - 46	R77465	2F17	31	40 - 105
R69536	2I5	16	50 - 51	R74697	2H25	5	50 - 46	R77466	2F17	33	40 - 105
R69927	2I3	1	50 - 49	R74804	1E2	9	26 - 55	R77467	2F17	34	40 - 105
R69936	1D24	3	26 - 52	R76337	2D16	13	40 - 55	R77468	2B13	10	40 - 3
R70112	2G23	15	50 - 19	R76491	1D2	15	26 - 25	R77468	2F17	32	40 - 105
R70113	2G23	17	50 - 19	R76674	5F18	15	121 - 17	R77469	2F19	35	40 - 107
R70114	2G23	18	50 - 19	R76822	1E4	22	26 - 57	R77470	2F19	45	40 - 107
R70115	2G23	19	50 - 19	R76822	1E6	22	26 - 59	R77471	2F19	45	40 - 107
R70210	2F19	40	40 - 107	R76937	5F20	9	121 - 19	R77472	2F19	45	40 - 107
R70210	2F19	41	40 - 107	R77175	2H12	23	50 - 33	R77473	2F19	45	40 - 107
R70211	2F19	40	40 - 107	R77175	2H13	23	50 - 34	R77474	2F19	44	40 - 107
R70211	2F19	41	40 - 107	R77175	2H18	23	50 - 39	R77475	2F17	13	40 - 105
R70212	2F19	40	40 - 107	R77175	3D12	19	70 - 7	R77476	2C4	15	40 - 19
R70212	2F19	41	40 - 107	R77175	3F6	12	70 - 49	R77476	2C6	14	40 - 21
R70213	2F19	40	40 - 107	R77175	3F24	1	70 - 69	R77476	2F17	3	40 - 105
R70214	2F19	40	40 - 107	R77175	3G2	1	70 - 73	R77477	2B13	14	40 - 3
R70214	2F19	41	40 - 107	R77175	3G4	22	70 - 75	R77477	2B13	19	40 - 3
R70215	2F19	40	40 - 107	R77175	6D8	19	125 - 51	R77477	2F17	4	40 - 105
R70216	2F19	40	40 - 107	R77178	3E18	15B	70 - 37	R77478	2F17	15	40 - 105
R70216	2F19	41	40 - 107	R77178	3E20	18B	70 - 39	R77479	2E12	7	40 - 75
R70217	2F19	40	40 - 107	R77178	3E22	9	70 - 41	R77479	2F17	5	40 - 105
R70218	2F19	40	40 - 107	R77389	4E16	15	90 - 84	R77480	2F17	6	40 - 105
R70218	2F19	41	40 - 107	R77390	4E16	14	90 - 84	R77481	2B13	7	40 - 3
R70219	2F19	40	40 - 107	R77391	4E16	8	90 - 84	R77481	2F17	7	40 - 105
R70220	2F19	50	40 - 107	R77392	4E16	9	90 - 84	R77482	2F17	8	40 - 105
R70221	2F19	39	40 - 107	R77393	4E16	10	90 - 84	R77483	2C4	14	40 - 19
								R77483	2C6	13	40 - 21

## NUMERICAL INDEX - CONTINUED

PART NO.	GRID	KEY	PAGE	PART NO.	GRID	KEY	PAGE	PART NO.	GRID	KEY	PAGE
R77483	2F17	16	40-105	R78049	2F15	15	40-103	R78059	2D4	18	40-43
R77484	2F17	19	40-105	R78050	1E14	19	26-67	R78059	2D8	16	40-47
R77485	2F17	21	40-105	R78050	2E14	9	40-77	R78059	2D8	18	40-47
R77486	2F17	22	40-105	R78050	2F15	19	40-103	R78059	2E14	8	40-77
R77487	2F17	23	40-105	R78051	1E14	24	26-67	R78059	2E14	9	40-77
R77488	2F19	51	40-107	R78051	2D6	6	40-45	R78059	2E14	10	40-77
R77489	2E12	3	40-75	R78051	2E14	11	40-77	R78059	2E14	11	40-77
R77489	2E14	5	40-77	R78051	2F11	1	40-99	R78059	2F15	1	40-103
R77489	2F19	51	40-107	R78051	2F15	24	40-103	R78059	2I10	14	50-56
R77490	2F19	51	40-107	R78052	1E14	5	26-67	R78059	3E15	16	70-34
R77491	2E12	2	40-75	R78052	2D6	7	40-45	R78059	3E16	8	70-35
R77491	2F19	54	40-107	R78052	2E14	6	40-77	R78059	3F6	9	70-49
R77492	2F19	54	40-107	R78052	2E20	7	40-83	R78059	3H5	14	70-100
R77493	2E12	1	40-75	R78052	2E20	11	40-83	R78059	6H13	16	160-3
R77493	2F19	51	40-107	R78052	2F15	5	40-103	R78060	1E14	2	26-67
R77494	2E14	4	40-77	R78053	1E14	13	26-67	R78060	1E14	9	26-67
R77494	2F19	55	40-107	R78053	2B13	9	40-3	R78060	2B13	12	40-3
R77495	2F19	52	40-107	R78053	2C2	10	40-17	R78060	2B23	2	40-13
R77496	2F19	52	40-107	R78053	2C4	16	40-19	R78060	2C2	11	40-17
R77497	2F19	53	40-107	R78053	2C6	15	40-21	R78060	2C22	11	40-37
R77498	2F17	24	40-105	R78053	2C12	33	40-27	R78060	2C24	16	40-39
R77499	2F17	24	40-105	R78053	2C22	17	40-37	R78060	2D4	7	40-43
R77500	2F17	24	40-105	R78053	2C24	13	40-39	R78060	2D4	20	40-43
R77501	2F17	24	40-105	R78053	2D2	12	40-41	R78060	2D6	6	40-45
R77502	2F19	56	40-107	R78053	2D4	14	40-43	R78060	2D6	21	40-45
R77503	2F19	56	40-107	R78053	2D4	17	40-43	R78060	2D6	24	40-45
R77551	1E2	17	26-55	R78053	2D4	18	40-43	R78060	2D12	1	40-51
R77551	1E2	18	26-55	R78053	2D6	24	40-45	R78060	2D18	4	40-57
R77551	1E16	15	26-69	R78053	2D8	18	40-47	R78060	2D22	24	40-61
R77673	1D16	16	26-43	R78053	2D22	25	40-61	R78060	2E14	1	40-77
R77673	1D16	21	26-43	R78053	2E12	4	40-75	R78060	2E14	2	40-77
R77764	5F20	8	121-19	R78053	2E14	2	40-77	R78060	2E14	7	40-77
R78025	3C19	12	60-36	R78053	2F11	13	40-99	R78060	2E14	9	40-77
R78025	3C20	12	60-37	R78053	2F15	13	40-103	R78060	2E14	12	40-77
R78025	3C21	8	60-38	R78053	2I10	14	50-56	R78060	2E14	13	40-77
R78026	3C19	6	60-36	R78053	3E15	16	70-34	R78060	2F11	1	40-99
R78026	3C20	6	60-37	R78053	3H5	14	70-100	R78060	2F15	2	40-103
R78026	3C21	6	60-38	R78053	4D2	25	90-43	R78060	2F15	9	40-103
R78027	3C13	2	60-30	R78053	6H13	16	160-3	R78060	3F6	15	70-49
R78027	3C19	2	60-36	R78054	1E14	17	26-67	R78061	1E14	6	26-67
R78027	3C20	2	60-37	R78054	2E14	12	40-77	R78061	1E14	23	26-67
R78027	3C21	2	60-38	R78054	2F15	17	40-103	R78061	2B13	9	40-3
R78047	1E14	3	26-67	R78055	1E14	22	26-67	R78061	2C4	9	40-19
R78047	2B13	11	40-3	R78055	2E14	8	40-77	R78061	2C4	16	40-19
R78047	2D6	22	40-45	R78055	2F15	22	40-103	R78061	2C6	8	40-21
R78047	2F15	3	40-103	R78056	1E14	26	26-67	R78061	2C6	15	40-21
R78048	1E14	10	26-67	R78056	2E14	10	40-77	R78061	2D4	17	40-43
R78048	2B13	12	40-3	R78056	2F15	26	40-103	R78061	2D6	7	40-45
R78048	2B23	2	40-13	R78057	1E14	2	26-67	R78061	2D6	24	40-45
R78048	2C2	11	40-17	R78057	2B13	11	40-3	R78061	2E12	4	40-75
R78048	2C22	11	40-37	R78057	2D6	21	40-45	R78061	2E14	6	40-77
R78048	2C24	14	40-39	R78057	2D6	23	40-45	R78061	2E20	12	40-83
R78048	2C24	16	40-39	R78057	2D22	23	40-61	R78061	2F15	6	40-103
R78048	2D2	13	40-41	R78057	2E14	11	40-77	R78061	2F15	23	40-103
R78048	2D4	7	40-43	R78057	2F15	2	40-103	R78061	2I10	14	50-56
R78048	2D4	20	40-43	R78058	1E14	23	26-67	R78061	3E15	16	70-34
R78048	2D6	23	40-45	R78058	2C12	33	40-27	R78061	3H5	14	70-100
R78048	2D8	16	40-47	R78058	2D4	14	40-43	R78061	6H13	16	160-3
R78048	2D18	4	40-57	R78058	2D4	18	40-43	R78062	1E14	1	26-67
R78048	2D22	23	40-61	R78058	2D8	18	40-47	R78062	2F15	1	40-103
R78048	2D22	24	40-61	R78058	2D22	25	40-61	R78063	1E14	1	26-67
R78048	2E12	5	40-75	R78058	2E14	8	40-77	R78063	1E14	7	26-67
R78048	2E14	1	40-77	R78058	2E14	10	40-77	R78063	2B23	2	40-13
R78048	2F15	10	40-103	R78058	2F15	23	40-103	R78063	2C2	11	40-17
R78048	3D8	13	70-3	R78058	4D2	25	90-43	R78063	2C12	33	40-27
R78049	1E14	15	26-67	R78059	1E14	1	26-67	R78063	2C22	17	40-37
R78049	2E14	13	40-77	R78059	2D4	14	40-43	R78063	2C24	13	40-39



## NUMERICAL INDEX - CONTINUED

PART NO.	GRID	KEY	PAGE	PART NO.	GRID	KEY	PAGE	PART NO.	GRID	KEY	PAGE
R78063	2D2	12	40-41	R86061	1D16	3	26-43	R93142	2I3	2	50-49
R78063	2D4	14	40-43	R86062	1D16	25	26-43	R93180	2H22	3	50-43
R78063	2D4	17	40-43	R86062	1E16	11	26-69	R93308	1D2	16	26-25
R78063	2D4	18	40-43	R86457	1E4	24	26-57	R93311	1D2	17	26-25
R78063	2D6	24	40-45	R86571	1D5	2	26-28	R93312	1D2	16	26-25
R78063	2D10	..	40-49	R86743	1E16	4	26-69	R93313	1D2	17	26-25
R78063	2D12	1	40-51	R87082	1E2	18	26-55	R93314	1D2	16	26-25
R78063	2D22	25	40-61	R87345	5D10	12	120-53	R93315	1D2	17	26-25
R78063	2E12	4	40-75	R87561	1C8	18	26-5	R93349	1D2	13	26-25
R78063	2E14	1	40-77	R87561	1C16	1	26-13	R93350	1D2	12	26-25
R78063	2E14	2	40-77	R87561	1C24	1	26-21	R93948	1C18	11	26-15
R78063	2E14	6	40-77	R87682	1D21	8	26-49	R94338	1D11	2	26-36
R78063	2E14	7	40-77	R88043	1D2	8	26-25	R94400	1E10	3	26-63
R78063	2E14	12	40-77	R88397	1D16	4	26-43	R94410	1E10	6	26-63
R78063	2E14	13	40-77	R88397	1E16	13	26-69	R94412	1E10	7	26-63
R78063	2E20	13	40-83	R88829	2H22	11	50-43	R94414	1E10	9	26-63
R78063	2F11	13	40-99	R88959	2I3	3	50-49	R94418	3G18	13	70-89
R78063	2F15	1	40-103	R88960	2I3	3	50-49	R94561	1C10	..	26-7
R78063	2F15	7	40-103	R88972	2H22	1	50-43	R94561	1C12	1	26-9
R78063	3F6	15	70-49	R88972	2H22	6	50-43	R94615	1D10	8	26-35
R78063	4D2	25	90-43	R88993	1E16	1	26-69	R94618	1D10	1	26-35
R78064	1E14	27	26-67	R89012	2I3	4	50-49	R94618	1E16	33	26-69
R78064	2F15	27	40-103	R89014	1E4	24	26-57	R94619	1D10	3	26-35
R78065	2C22	1	40-37	R89014	1E6	24	26-59	R94619	1E16	29	26-69
R78124	1C21	3	26-18	R89015	2I5	14	50-51	R94648	1E4	24	26-57
R79117	3G18	12	70-89	R89142	4D2	10	90-43	R96518	1D19	2	26-46
R79187	1D7	4	26-31	R89143	4D2	4	90-43	R96606	1D13	17	26-39
R79604	1E2	23	26-55	R89439	1D16	12	26-43	R96616	1D13	18	26-39
R79605	1E2	24	26-55	R89610	2H22	12	50-43	R96616	1D14	5	26-40
R79606	1E2	25	26-55	R89790	1D18	1	26-45	R96616	1E16	28	26-69
R79846	1E17	5	26-70	R89879	1E16	7	26-69	R96622	1D13	16	26-39
R79850	1C22	1	26-19	R89927	1E12	10	26-65	R97061	1E2	30	26-55
R79915	1E16	23	26-69	R90529	1E10	4	26-63	R97061	1E4	4	26-57
R79915	2D14	7	40-53	R90530	1E10	4	26-63	R97061	1E6	4	26-59
R80R	5G14	37	121-37	R90531	1E10	4	26-63	R98064	1D10	10	26-35
R80880	2G23	16	50-19	R90532	1E10	4	26-63	R98500	1E4	23	26-57
R82007	1C8	17	26-5	R90533	1E10	4	26-63	R98500	1E6	23	26-59
R82571	3G18	6	70-89	R90534	1E10	4	26-63	R99047	1E4	24	26-57
R82719	1D16	16	26-43	R90535	1E10	4	26-63	R99047	1E6	24	26-59
R83020	1D24	5	26-52	R90536	1E10	4	26-63	R99244	2H2	16	50-23
R83020	1E16	8	26-69	R90537	1E10	4	26-63	R99377	2H25	1	50-46
R83021	1D24	4	26-52	R90538	1E10	4	26-63	R99463	1C23	7	26-20
R83021	1E16	10	26-69	R90539	1E10	4	26-63	R99464	1C23	14	26-20
R83489	1E16	27	26-69	R90540	1E10	4	26-63	R99464	1E16	20	26-69
R83490	1E12	8	26-65	R90541	1E10	4	26-63	R99531	1E7	1	26-60
R83490	1E16	27	26-69	R90542	1E10	4	26-63	TY15130	4F12	..	110-5
R84261	5G14	11	121-37	R90543	1E10	4	26-63	TY15130	5F14	..	121-13
R84472	1E2	15	26-55	R90544	1E10	4	26-63	TY15130	5F16	..	121-15
R84472	1E2	16	26-55	R90565	3G18	7	70-89	TY15130	5G4	..	121-27
R84472	1E10	10	26-63	R91519	1D24	1	26-52	TY15130	5G6	..	121-29
R84472	1E10	11	26-63	R91726	3G18	8	70-89	TY15130	5G14	..	121-37
R84472	1E16	14	26-69	R91747	1C24	2	26-21	TY15130	6F17	..	130-21
R84618	1D2	16	26-25	R91822	1D2	4	26-25	TY15949	4E21	..	90-90
R84619	1D2	17	26-25	R91824	1E4	6	26-57	TY15950	4E21	..	90-90
R84943	3C15	1	60-32	R91824	1E6	6	26-59	TY15951	4E21	..	90-90
R84976	1D2	12	26-25	R92097	1D21	4	26-49	TY16004	1C6	2	26-2
R84977	1D2	13	26-25	R92097	1E16	6	26-69	TY16005	1C6	3	26-2
R85027	1D3	14	26-26	R92104	2I1	3	50-47	TY16086	2F17	24	40-105
R85168	5G2	10	121-25	R92148	2I3	1	50-49	TY16285	2G10	..	50-6
R85169	5G2	11	121-25	R92160	2H22	4	50-43	TY21765	2D19	8	40-58
R85373	2I5	15	50-51	R92387	2I1	7	50-47	TY22007	1C5	2	26-1
R85374	2I5	8	50-51	R92977	2I7	1	50-53	TY22008	1C5	2	26-1
R85376	2I5	9	50-51	R92978	2I7	6	50-53	TY22009	1C5	1	26-1
R85378	2I5	10	50-51	R92979	2I3	4	50-49	TY22010	1C5	1	26-1
R85588	2I1	1	50-47	R93030	2H22	5	50-43	TY22010	1C5	2	26-1
R85688	4E16	7	90-84	R93105	2H24	6	50-45	TY22011	1C5	2	26-1
R86007	1D16	8	26-43	R93142	2H22	17	50-43	TY22025	4E13	..	90-81

## NUMERICAL INDEX - CONTINUED

PART NO.	GRID	KEY	PAGE	PART NO.	GRID	KEY	PAGE	PART NO.	GRID	KEY	PAGE
TY22025	4E21	..	90-90	TY6359	1C5	1	26-1	T146104	1E21	9	26-74
TY22041	1C5	..	26-1	TY6360	1C5	1	26-1	T146106	1E18	12	26-71
TY22042	1C5	..	26-1	TY6361	1C5	1	26-1	T146106	1E21	9	26-74
TY22064	1C5	1	26-1	TY6364	1C5	1	26-1	T146515	1E18	12	26-71
TY22065	1C5	1	26-1	TY6389	1C5	1	26-1	T146515	1E21	9	26-74
TY22066	1C5	1	26-1	TY6390	1C5	1	26-1	T146516	1E18	12	26-71
TY22067	1C5	1	26-1	TY6391	1C5	1	26-1	T146516	1E21	9	26-74
TY22068	1C5	1	26-1	TY6392	1C5	1	26-1	T146517	1E18	12	26-71
TY22069	1C5	1	26-1	TY6393	1C5	1	26-1	T146517	1E21	9	26-74
TY22070	1C5	1	26-1	TY6394	1C5	1	26-1	T15005	2B15	14	40-5
TY22071	1C5	2	26-1	TY6626	4E13	18	90-81	T15712	1F10	9	30-10
TY22073	1C5	1	26-1	TY6626	4E16	16	90-84	T16193	4C22	8	90-39
TY22074	1C5	1	26-1	TY6653	2D14	11	40-53	T16193	4F14	8	110-7
TY22101	4E13	..	90-81	TY6731	1E18	10	26-71	T17568	1F3	23	30-3
TY22101	4E21	..	90-90	TY6731	1E18	11	26-71	T17568	1F3	30	30-3
TY22326	5C6	14	120-23	TY6731	1E20	6	26-73	T17568	1F7	21	30-7
TY22326	5C12	6	120-29	TY6750	2D24	1	40-63	T17568	1F11	7	30-11
TY22326	6E5	3	125-73	TY6750	2D24	13	40-63	T20077	1D2	2	26-25
TY22328	4F2	5	90-95	TY6750	2E2	..	40-65	T20129	1D2	1	26-25
TY22330	4F2	4	90-95	TY6765	4E15	16	90-83	T20217	5C12	3	120-29
TY22412	1F19	1	30-19	TY6768	4E21	..	90-90	T20217	5F12	18	121-11
TY22418	1F3	23	30-3	TY6781	1E18	10	26-71	T20217	5G20	20	121-43
TY22418	1F7	2	30-7	TY6781	1E18	11	26-71	T20217	6G2	7	130-31
TY22424	1B21	4	20-15	TY6781	1E20	6	26-73	T20294	1D4	2	26-27
TY22462	1F7	1	30-7	TY9370	2G17	..	50-13	T20328	1D4	3	26-27
TY22462	1F19	2	30-19	TY9370	4B19	..	90-11	T20328	1E16	21	26-69
TY22465	4F2	3	90-95	TY9370	4C20	..	90-37	T21242	1D7	3	26-31
TY22467	1B21	2	20-15	TY9371	2G10	..	50-6	T22714	5G20	23	121-43
TY22467	1D21	7	26-49	TY9371	2G17	..	50-13	T22828	3G18	9	70-89
TY22467	1F3	5	30-3	TY9371	2G19	..	50-15	T22875	3C2	31	60-19
TY22467	1F7	5	30-7	TY9371	4C20	..	90-37	T22875	4E3	31	90-71
TY22467	5C21	26	120-39	TY9371	5F24	..	121-23	T23027	4C8	2	90-25
TY22470	1F15	6	30-15	TY9373	2G17	..	50-13	T23033	4C8	6	90-25
TY22472	1F17	1	30-17	TY9373	4C20	..	90-37	T23529	3C2	29	60-19
TY22472	1F17	13	30-17	TY9374	5F20	..	121-19	T23891	1C22	2	26-19
TY22474	4E11	20	90-79	TY9473	2J10	..	50-81	T24167	2B13	13	40-3
TY22475	3E18	15A	70-37	TY9478	2G17	..	50-13	T24210	1E7	2	26-60
TY22475	3E20	18A	70-39	TY9478	4C20	..	90-37	T24229	1E7	5	26-60
TY22494	5G2	20	121-25	T105740	2I13	9	50-59	T25473	2J10	7	50-81
TY22494	5G2	21	121-25	T105740	2I15	6	50-61	T27523	3D15	3	70-10
TY22494	5G10	46	121-33	T105740	2I21	6	50-67	T27523	6D12	7	125-55
TY22494	5G10	47	121-33	T10745	2D24	4	40-63	T27860	1C21	2	26-18
TY22566	1F19	1	30-19	T10745	2E2	2	40-65	T27888	2G24	3	50-20
TY24479	3I12	6	80-29	T11180	1D21	1	26-49	T28077	1F3	4	30-3
TY24479	6H23	5	170-7	T119912	5H4	22	121-51	T28583	2B13	8	40-3
TY24479	6I12	4	170-21	T12033	2G13	3	50-9	T28583	2C2	6	40-17
TY24479	6I22	2	170-31	T12083	2G10	..	50-6	T28583	2D4	19	40-43
TY24479	6J15	8	170-49	T12960	3D18	7	70-13	T28583	2F17	1	40-105
TY24485	2D24	1	40-63	T13119	1F10	9	30-10	T28583	2F21	34	40-109
TY24485	2D24	13	40-63	T134452	1E18	12	26-71	T28585	2B21	12	40-11
TY24485	2E2	..	40-65	T134452	1E21	9	26-74	T28585	2B21	16	40-11
TY6167	2D19	8	40-58	T134453	1E18	12	26-71	T28585	2F17	12	40-105
TY6280	1C5	1	26-1	T134453	1E21	9	26-74	T28585	2F21	35	40-109
TY6297	1C5	1	26-1	T134454	1E18	12	26-71	T28586	2C4	17	40-19
TY6298	1C5	1	26-1	T134454	1E21	9	26-74	T28586	2C6	16	40-21
TY6300	1C5	1	26-1	T134455	1E18	12	26-71	T28586	2F17	14	40-105
TY6301	1C5	1	26-1	T134455	1E21	9	26-74	T28586	4E9	7	90-77
TY6304	2G10	..	50-6	T134456	1E18	12	26-71	T28860	1F7	20	30-7
TY6304	2G19	..	50-15	T134456	1E21	9	26-74	T28862	1D21	3	26-49
TY6304	5G14	..	121-37	T134459	1E18	8	26-71	T28949	1F3	28	30-3
TY6305	2G10	..	50-6	T134459	1E21	6	26-74	T29342	2H6	19	50-27
TY6312	1C5	1	26-1	T13814	1E22	2	26-75	T29342	2J14	4	50-85
TY6313	1C5	1	26-1	T14065	2H10	14	50-31	T31556	1E7	4	26-60
TY6333	4F10	..	110-3	T14323	5F20	18	121-19	T32231	1D18	..	26-45
TY6333	5C21	..	120-39	T146102	1E18	8	26-71	T32231	1D19	..	26-46
TY6333	5C23	..	120-41	T146102	1E21	6	26-74	T32231	1F9	3	30-9
TY6333	5G14	..	121-37	T146104	1E18	12	26-71	T32231	1F10	3	30-10

## NUMERICAL INDEX - CONTINUED

PART NO.	GRID	KEY	PAGE	PART NO.	GRID	KEY	PAGE	PART NO.	GRID	KEY	PAGE
T32231	2D6	12	40-45	T75984	3F18	12	70-62	T77858	2I13	3	50-59
T32255	2C12	19	40-27	T75984	3F22	12	70-67	T77858	2I15	7	50-61
T32255	2C14	5	40-29	T75984	6H13	2	160-3	T77858	2I17	3	50-63
T32255	2C14	20	40-29	T76719	1F3	28	30-3	T77858	2I19	8	50-65
T34067	2C4	13	40-19	T76836	2G10	10	50-6	T77858	2I21	7	50-67
T34067	2C4	16	40-19	T76938	2J2	2	50-73	T77858	2I23	7	50-69
T34067	2C6	12	40-21	T76938	3B24	10	60-17	T77858	2I25	7	50-71
T34067	2C6	15	40-21	T76938	3D20	25	70-15	T77858	2J2	4	50-73
T34067	2F17	18	40-105	T76938	3D22	25	70-17	T77858	2J4	1	50-75
T34354	5G4	5	121-27	T76938	3F8	17	70-51	T77858	2J6	1	50-77
T34355	5G4	5	121-27	T76938	3F8	22	70-51	T77858	2J8	1	50-79
T34356	5G4	5	121-27	T76938	3H6	6	70-101	T77858	2J10	3	50-81
T35440	2C14	25	40-29	T76938	6D10	10	125-53	T77858	2J17	2	50-88
T37851	6F4	11	130-7	T77514	3F6	24	70-49	T77858	3B24	3	60-17
T40867	3I2	24	80-19	T77613	1F5	1	30-5	T77858	3D20	3	70-15
T41201	5G6	4	121-29	T77613	1F7	7	30-7	T77858	3D22	3	70-17
T43512	2J10	..	50-81	T77613	2J6	4	50-77	T77858	3E14	4	70-33
T43512	4F10	..	110-3	T77613	2J8	4	50-79	T77858	3E14	11	70-33
T43512	5G4	..	121-27	T77613	2J16	3	50-87	T77858	3E24	10	70-43
T43512	5G6	..	121-29	T77613	3C10	1	60-27	T77858	3F2	10	70-45
T43514	2G17	..	50-13	T77613	3C12	3	60-29	T77858	3H6	5	70-101
T43514	2G19	13	50-15	T77613	3D15	7	70-10	T77858	6D10	1	125-53
T43514	4C20	..	90-37	T77613	3E2	2	70-21	T77858	6D12	27	125-55
T43514	4G8	20	110-25	T77613	3E4	1	70-23	T77932	2I9	14	50-55
T43515	4F10	..	110-3	T77613	3E6	22	70-25	T77932	2J10	6	50-81
T45132	3F6	27	70-49	T77613	3E8	30	70-27	T77932	3C6	5	60-23
T46726	1F9	10	30-9	T77613	3E12	7	70-31	T77932	3C8	1	60-25
T47836	5G14	33	121-37	T77613	3E20	1	70-39	T77932	3D9	3	70-4
T49676	5F18	14	121-17	T77613	3E22	1	70-41	T77932	3D10	3	70-5
T50409	5F18	13	121-17	T77613	3F4	4	70-47	T77932	3D18	12	70-13
T50415	5F20	1	121-19	T77613	3G8	4	70-79	T77932	3E24	3	70-43
T519T	4D2	3	90-43	T77613	3G10	6	70-81	T77932	3F2	3	70-45
T531T	2C12	20	40-27	T77613	3G20	11	70-91	T77932	3F8	3	70-51
T531T	2C14	21	40-29	T77613	3H6	2	70-101	T77932	3G22	2	70-93
T55201	4D9	12	90-51	T77814	2J6	8	50-77	T77932	3G24	2	70-95
T55501	3C2	5	60-19	T77814	2J8	8	50-79	T77932	3H6	4	70-101
T55501	4E3	5	90-71	T77814	3C12	12	60-29	T77932	6D12	1	125-55
T55585	3C2	6	60-19	T77814	3E6	4	70-25	T77932	6D14	20	125-57
T55585	4E3	6	90-71	T77814	3E8	4	70-27	T77932	6D16	12	125-59
T55761	4F10	26	110-3	T77814	3E12	8	70-31	T78313	2I13	7	50-59
T55761	4H6	10	110-49	T77814	3F10	9	70-53	T78313	2I15	8	50-61
T60314	3F6	32	70-49	T77814	3G20	8	70-91	T78313	2I17	6	50-63
T62323	3C14	12	60-31	T77814	3H6	1	70-101	T78313	2I19	4	50-65
T62508	5F20	2	121-19	T77857	2G10	..	50-6	T78313	2I21	8	50-67
T62509	5F20	4	121-19	T77857	2I10	2	50-56	T78313	2I23	4	50-69
T62828	4D9	1	90-51	T77857	2J6	36	50-77	T78313	2I25	4	50-71
T62843	6D16	13	125-59	T77857	2J8	30	50-79	T78313	2J6	29	50-77
T63817	3D8	8	70-3	T77857	3B24	7	60-17	T78313	2J6	37	50-77
T63817	4F6	13	90-99	T77857	3C6	3	60-23	T78313	2J8	31	50-79
T65643	3D8	7	70-3	T77857	3C8	2	60-25	T78313	3H6	9	70-101
T65643	4F6	14	90-99	T77857	3C10	11	60-27	T78612	3H6	7	70-101
T69027	5G4	8	121-27	T77857	3D18	13	70-13	T78707	2J17	11	50-88
T70309	5F18	12	121-17	T77857	3D20	7	70-15	T78715	2J2	1	50-73
T70694	1B21	9	20-15	T77857	3D22	7	70-17	T78716	6D14	4	125-57
T72393	2I17	12	50-63	T77857	3E4	35	70-23	T78716	6D16	4	125-59
T72393	2I19	16	50-65	T77857	3E10	3	70-29	T78784	3H6	8	70-101
T72393	2I21	19	50-67	T77857	3E18	21	70-37	T79098	2H4	4	50-25
T72393	3D20	11	70-15	T77857	3E20	23	70-39	T80306	3G22	1	70-93
T72393	3D22	11	70-17	T77857	3E22	16	70-41	T80306	6D14	23	125-57
T74410	2D10	22	40-49	T77857	3G22	13	70-93	T80393	2F9	1	40-97
T74416	1D21	11	26-49	T77857	3G24	13	70-95	T80394	2F9	1	40-97
T75984	3E15	2	70-34	T77857	3H5	2	70-100	T81029	1F7	16	30-7
T75984	3F11	12	70-54	T77857	3H6	3	70-101	T81029	2J6	6	50-77
T75984	3F13	12	70-57	T77857	6D12	4	125-55	T81029	2J8	6	50-79
T75984	3F15	12	70-59	T77857	6D14	5	125-57	T81029	3C10	2	60-27
T75984	3F16	12	70-60	T77857	6D16	5	125-59	T81029	3C12	19	60-29
T75984	3F17	12	70-61	T77857	6H12	2	160-2	T81029	3D15	4	70-10

**NUMERICAL INDEX - CONTINUED**

PART NO.	GRID	KEY	PAGE	PART NO.	GRID	KEY	PAGE	PART NO.	GRID	KEY	PAGE
T81029	3G8	3	70 - 79	U46662	2C2	6	40 - 17				
U10063	5G14	20	121 - 37	U46662	2C22	10	40 - 37				
U10746	2G21	21	50 - 17	U46662	2D4	19	40 - 43				
U10776	2G21	4	50 - 17	U46662	2E12	7	40 - 75				
U11647	2H24	1	50 - 45	U46662	2F17	10	40 - 105				
U11647	2I5	1	50 - 51	U46662	2F21	37	40 - 109				
U12547	2H14	2	50 - 35	U46663	2C2	7	40 - 17				
U12547	2H18	32	50 - 39	U46663	2F21	38	40 - 109				
U12547	2I8	12	50 - 54	U46664	2F19	47	40 - 107				
U12547	2I9	12	50 - 55	U46664	2F21	39	40 - 109				
U12547	2I10	11	50 - 56	W13288	3G12	2	70 - 83				
U12547	2I13	1	50 - 59	W15277	3B19	7	60 - 12				
U12547	2I17	1	50 - 63	W23690	2H10	21	50 - 31				
U12547	2I19	6	50 - 65	W34543	5F6	12	121 - 5				
U12547	2I23	5	50 - 69	W34543	5F8	11	121 - 7				
U12547	2I25	5	50 - 71	W38051	2D8	1	40 - 47				
U12547	2J2	11	50 - 73	W39621	4G17	33	110 - 35				
U12547	2J2	17	50 - 73	W39621	6F17	3	130 - 21				
U12547	2J4	11	50 - 75	X05HP-2	2H8	4	50 - 29				
U12547	2J6	3	50 - 77	X05HP-2	2H8	5	50 - 29				
U12547	2J8	3	50 - 79	Y3082BN	3I4	4	80 - 21				
U12547	2J10	4	50 - 81	Z12964	2G23	16	50 - 19				
U12547	3B24	1	60 - 17	Z24604	6G23	24	130 - 51				
U12547	3E14	2	70 - 33	Z33404	6H5	6	130 - 59				
U12547	3F6	29	70 - 49	Z35149	4G4	24	110 - 21				
U12547	3G22	15	70 - 93	Z36140	6E24	7	130 - 3				
U12547	3G24	15	70 - 95	Z38380	6E24	7	130 - 3				
U12547	3H5	11	70 - 100	Z38380	6E24	33A	130 - 3				
U13639	1B15	6	20 - 9	Z39238	3H14	34	80 - 7				
U13639	1C8	5	26 - 5	Z39386	3I2	25	80 - 19				
U13639	1D17	6	26 - 44	Z56747	3D24	10	70 - 19				
U13639	1E16	24	26 - 69	Z56747	4F22	30	110 - 15				
U14273	5G6	6	121 - 29	Z9135H	5H6	4	121 - 53				
U15415	2H6	25	50 - 27	122SE	2G13	6	50 - 9				
U15415	2H18	43	50 - 39	124424	4G4	15	110 - 21				
U17409	1D10	6	26 - 35	124424	4G8	17	110 - 25				
U17409	1E16	30	26 - 69	32243	4F10	2	110 - 3				
U17409	2H12	4	50 - 33	32246	2H10	20	50 - 31				
U17409	2H13	4	50 - 34	400R	5F20	12	121 - 19				
U17409	2H14	12	50 - 35								
U17409	2H14	15	50 - 35								
U40729	2H14	7	50 - 35								
U40745	3F16	20	70 - 60								
U40745	3F17	20	70 - 61								
U40745	3F18	20	70 - 62								
U40745	3F22	20	70 - 67								
U40962	3F11	11	70 - 54								
U40962	3F13	11	70 - 57								
U40962	3F15	11	70 - 59								
U40962	3F16	11	70 - 60								
U40962	3F17	11	70 - 61								
U40962	3F18	11	70 - 62								
U40962	3F22	11	70 - 67								
U41353	2I7	2	50 - 53								
U42355	1F3	31	30 - 3								
U42355	1F7	22	30 - 7								
U42902	3F13	26	70 - 57								
U46370	2F17	20	40 - 105								
U46370	2F21	36	40 - 109								
U46506	2C14	6	40 - 29								
U46507	2C14	3	40 - 29								
U46508	2C14	8	40 - 29								
U46662	2B13	7	40 - 3								
U46662	2B13	8	40 - 3								
U46662	2B13	12	40 - 3								
U46662	2B13	13	40 - 3								
U46662	2B13	19	40 - 3								